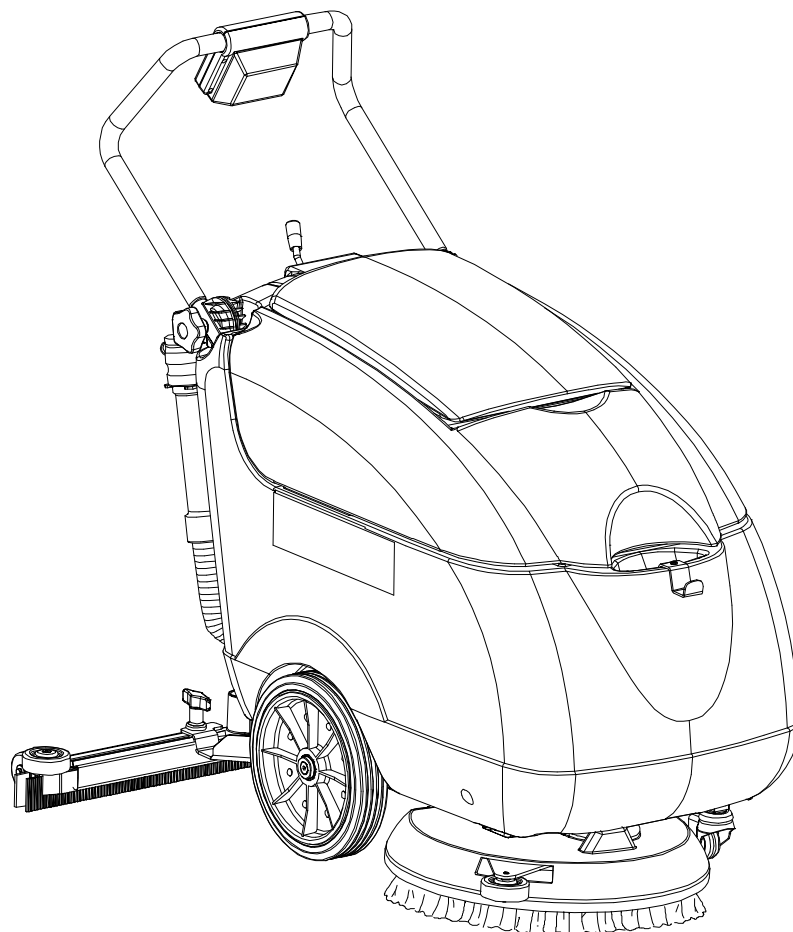


Micromatic™ M17B



INSTRUCTION FOR USE
Advance model: 908 7057 020

ENGLISH

INSTRUCTIONS D'UTILISATION
Modèle Advance: 908 7057 020

FRANÇAIS

INSTRUCCIONES DE USO
Modelo Advance: 908 7057 020

ESPAÑOL

INSTRUÇÕES DE USO
Modelo Advance: 908 7057 020

PORTUGUÊS

TABLE OF CONTENTS

INTRODUCTION	2
MANUAL PURPOSE AND CONTENTS	2
TARGET	2
HOW TO KEEP THIS MANUAL	2
IDENTIFICATION DATA	2
OTHER REFERENCE MANUALS	2
SPARE PARTS AND MAINTENANCE	2
CHANGES AND IMPROVEMENTS	2
OPERATION CAPABILITIES	2
CONVENTIONS	2
UNPACKING/DELIVERY	3
SAFETY	3
SYMBOLS	3
GENERAL INSTRUCTIONS	3
MACHINE DESCRIPTION	5
MACHINE STRUCTURE	5
CONTROL PANEL	7
ACCESSORIES/OPTIONS	7
TECHNICAL DATA	8
WIRING DIAGRAM	9
USE	10
BATTERY CHECK/SETTING ON A NEW MACHINE	10
GEL BATTERY SETTING, INSTALLATION AND CHARGING	10
BEFORE MACHINE START-UP	11
MACHINE START AND STOP	12
MACHINE OPERATION (SCRUBBING/DRYING)	13
MACHINE TRANSPORT/PARKING	14
TANK EMPTYING	14
AFTER USING THE MACHINE	14
RECOVERY TANK REMOVAL	15
MACHINE LONG INACTIVITY	15
FIRST PERIOD OF USE	15
MAINTENANCE	16
SCHEDULED MAINTENANCE TABLE	16
SQUEEGEE CLEANING	17
SQUEEGEE BLADE CHECK AND REPLACEMENT	17
BRUSH CLEANING	18
TANK AND VACUUM GRID CLEANING	18
SOLUTION FILTER CLEANING	19
MACHINE SPEED ADJUSTMENT	19
BATTERY CHARGING	20
FUSE CHECK/REPLACEMENT	21
TROUBLESHOOTING	22
SCRAPPING	22

INTRODUCTION



NOTE

The numbers in brackets refer to the components shown in Machine Description chapter.

MANUAL PURPOSE AND CONTENTS

The purpose of this Manual is to provide the operator with all necessary information to use the machine properly, in a safe and autonomous way. It contains information about technical data, operation, machine inactivity, maintenance, spare parts and safety conditions.

Before carrying out any procedure on the machine, the operators and qualified technicians must read this Manual carefully. Contact an authorized Advance Service Center in case of doubts regarding the interpretation of the instructions and for any further information.

TARGET

This Manual is intended for operators and technicians qualified to perform the machine maintenance. The operators must not perform procedures reserved for qualified technicians. Advance will not be answerable for damages coming from the non-observance of this prohibition.

HOW TO KEEP THIS MANUAL

The Instructions for Use Manual must be kept near the machine, inside an adequate case, away from liquids and other substances that can cause damage to it.

IDENTIFICATION DATA

The machine model and serial number are marked on the label and can be read from the outside (1). The machine model year is shown after the Date Code on the serial plate (A08 means January 2008). This information is useful when requiring machine spare parts. Use the following table to write down the machine identification data for any further reference.

MACHINE model
MACHINE serial number

OTHER REFERENCE MANUALS

- Electronic Battery Charger Manual, which is to be considered as integral part of this Manual.
- Spare Parts List (supplied with the machine)
- Service Manual (that can be consulted at Advance Service Centers)

SPARE PARTS AND MAINTENANCE

All necessary operating, maintenance and repair procedures must be carried out by qualified personnel or by Advance Service Centers. Only original spare parts and accessories must be used.

Call Advance for service or to order spare parts and accessories, specifying the machine model and serial number.

CHANGES AND IMPROVEMENTS

Advance constantly improves its products and reserves the right to make changes and improvements at its discretion without being obliged to apply such benefits to the machines previously sold.

Any change and/or addition of accessories must be approved and performed by Advance.

OPERATION CAPABILITIES

These scrubber-dryers are used to clean (scrubbing and drying) smooth and solid floors, in civil or industrial environment, under safe operation conditions by a qualified operator.

The scrubber-dryers cannot be used for moquette and carpet cleaning.

CONVENTIONS

Forward, backward, front, rear, left or right are intended with reference to the operator position, that is to say with the hands on the handlebar (2).

UNPACKING/DELIVERY

To unpack the machine, carefully follow the instructions on the packing.

When the machine is delivered, check that the packing and the machine were not damaged during transportation.

In case of visible damages, keep the packing and have it checked by the carrier that delivered it. Call the carrier immediately to fill in a damage claim.

Please check that the following items have been supplied with the machine:

- Technical documents:
 - Scrubber-dryer Instructions for Use
 - Electronic Battery Charger Manual
 - Scrubber-dryer Spare Parts List
- No. 1 40 A lamellar fuse
- No. 4 clamps
- No. 4 battery terminal caps

SAFETY

The following symbols indicate potentially dangerous situations. Always read this information carefully and take all necessary precautions to safeguard people and property.

The operator's cooperation is essential in order to prevent injury. No accident prevention program is effective without the total cooperation of the person responsible for the machine operation. Most of the accidents that may occur in a factory, while working or moving around, are caused by failure to comply with the simplest rules for exercising prudence. A careful and prudent operator is the best guarantee against accidents and is essential for successful completion of any prevention program.

SYMBOLS



DANGER!

It indicates a dangerous situation with risk of death for the operator.



WARNING!

It indicates a potential risk of injury for people.



CAUTION!

*It indicates a caution or a remark related to important or useful functions.
Pay careful attention to the paragraphs marked by this symbol.*



NOTE

It indicates a remark related to important or useful functions.



CONSULTATION

It indicates the necessity to refer to the Instructions for Use before performing any procedure.

GENERAL INSTRUCTIONS

Specific warnings and cautions to inform about potential damages to people and machine are shown below.



DANGER!

- **Before performing any maintenance, repair, cleaning or replacement procedure, turn the main switch to "0" and, if necessary, disconnect the battery.**
- **This machine must be used by properly trained operators only. Children or disabled people cannot use this machine.**
- **Do not wear jewelry when working near electrical components.**
- **Do not operate the machine near toxic, dangerous, flammable and/or explosive powders, liquids or vapors: This machine is not suitable for collecting dangerous powders.**
- **During battery charging, remove the recovery tank and perform this procedure in well-ventilated areas and away from bare flames.**

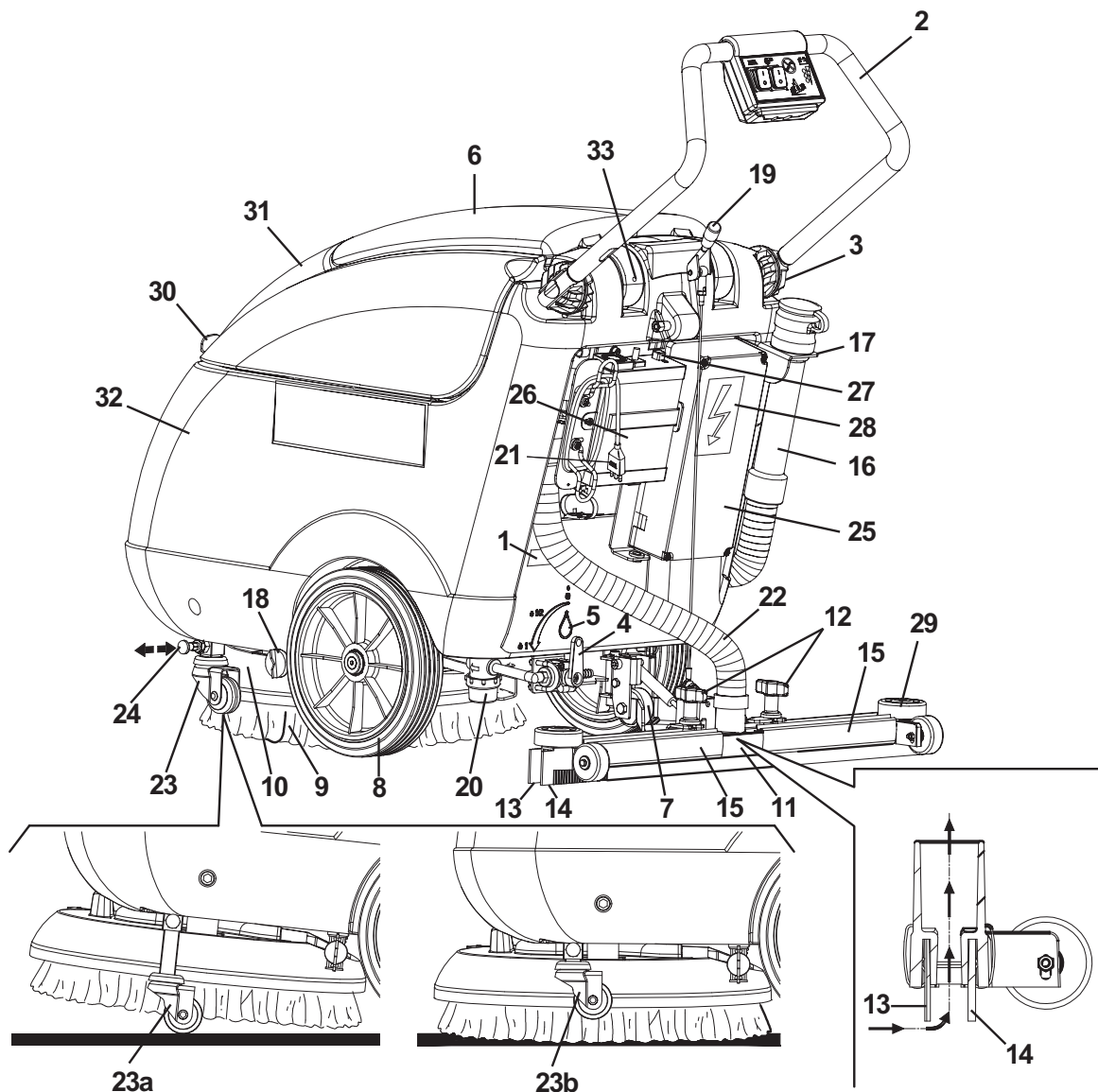
**WARNING!**

- *Before using the battery charger, ensure that frequency and voltage values, indicated on the machine serial number plate, match the electrical mains voltage.*
- *Do not pull or carry the machine by the battery charger cable and never use the battery charger cable as a handle. Do not close a door on the battery charger cable, or pull the battery charger cable around sharp edges or corners. Do not run the machine on the battery charger cable. Keep the battery charger cable away from heated surfaces.*
- *Do not charge the batteries if the battery charger cable or the plug are damaged. If the machine is not working as it should, has been damaged, left outdoors or dropped into water, return it to the Service Center.*
- *To reduce the risk of fire, electric shock, or injury, do not leave the machine unattended when it is plugged in. Before performing any maintenance procedure, disconnect the battery charger cable from the electrical mains.*
- *Do not smoke while charging the batteries.*
- *Do not leave the machine unattended without being sure that it cannot move independently.*
- *Always protect the machine against the sun, rain and bad weather, both under operation and inactivity condition. Store the machine indoors, in a dry place: This machine must be used in dry conditions, it must not be used or kept outdoors in wet conditions.*
- *Before using the machine, close all doors and/or covers.*
- *Do not allow to be used as a toy. Close attention is necessary when used near children.*
- *Use only as shown in this Manual. Use only Advance recommended accessories.*
- *Take all necessary precautions to prevent hair, jewelry and loose clothes from being caught by the machine moving parts.*
- *Do not leave the machine unattended without being sure that it cannot move independently.*
- *Do not use the machine on slopes with a gradient exceeding the specifications.*
- *While using this machine, take care not to cause damage to people or objects.*
- *Do not bump into shelves or scaffoldings, especially where there is a risk of falling objects.*
- *Do not put any can containing fluids on the machine.*
- *The machine working temperature must be between 0°C and +40°C.*
- *The machine storage temperature must be between 0°C and +40°C.*
- *The humidity must be between 30% and 95%.*
- *Do not use the machine as a means of transport.*
- *Do not use the machine on slopes with a gradient exceeding the specifications.*
- *Do not allow the brushes to operate while the machine is stationary to avoid damaging the floor.*
- *In case of fire, use a powder fire extinguisher, not a water one.*
- *Do not tamper with the machine safety guards and follow the ordinary maintenance instructions scrupulously.*
- *Do not allow any object to enter into the openings. Do not use the machine if the openings are clogged. Always keep the openings free from dust, hairs and any other foreign material which could reduce the air flow.*
- *Do not remove or modify the plates affixed to the machine.*
- *This machine cannot be used on roads or public streets.*
- *Pay attention during machine transportation when temperature is below freezing point. The water in the recovery tank or in the hoses could freeze and seriously damage the machine.*
- *Use the brushes and pads supplied with the machine and those specified in the Instructions for Use Manual. Using other brushes or pads could reduce safety.*
- *In case of machine malfunctions, ensure that these are not due to lack of maintenance. Otherwise, request assistance from the authorized personnel or from an authorized Service Center.*
- *If parts must be replaced, require ORIGINAL spare parts from an Otherwise Dealer or Retailer.*
- *To ensure machine proper and safe operation, the scheduled maintenance shown in the relevant chapter of this Manual, must be performed by the authorized personnel or by an authorized Service Center.*
- *Carefully read all the instructions before performing any maintenance/repair procedure.*
- *Do not wash the machine with direct or pressurized water jets, or with corrosive substances.*
- *The machine must be disposed of properly, because of the presence of toxic-harmful materials (batteries, etc.), which are subject to standards that require disposal in special centers (see Scrapping chapter).*

MACHINE DESCRIPTION

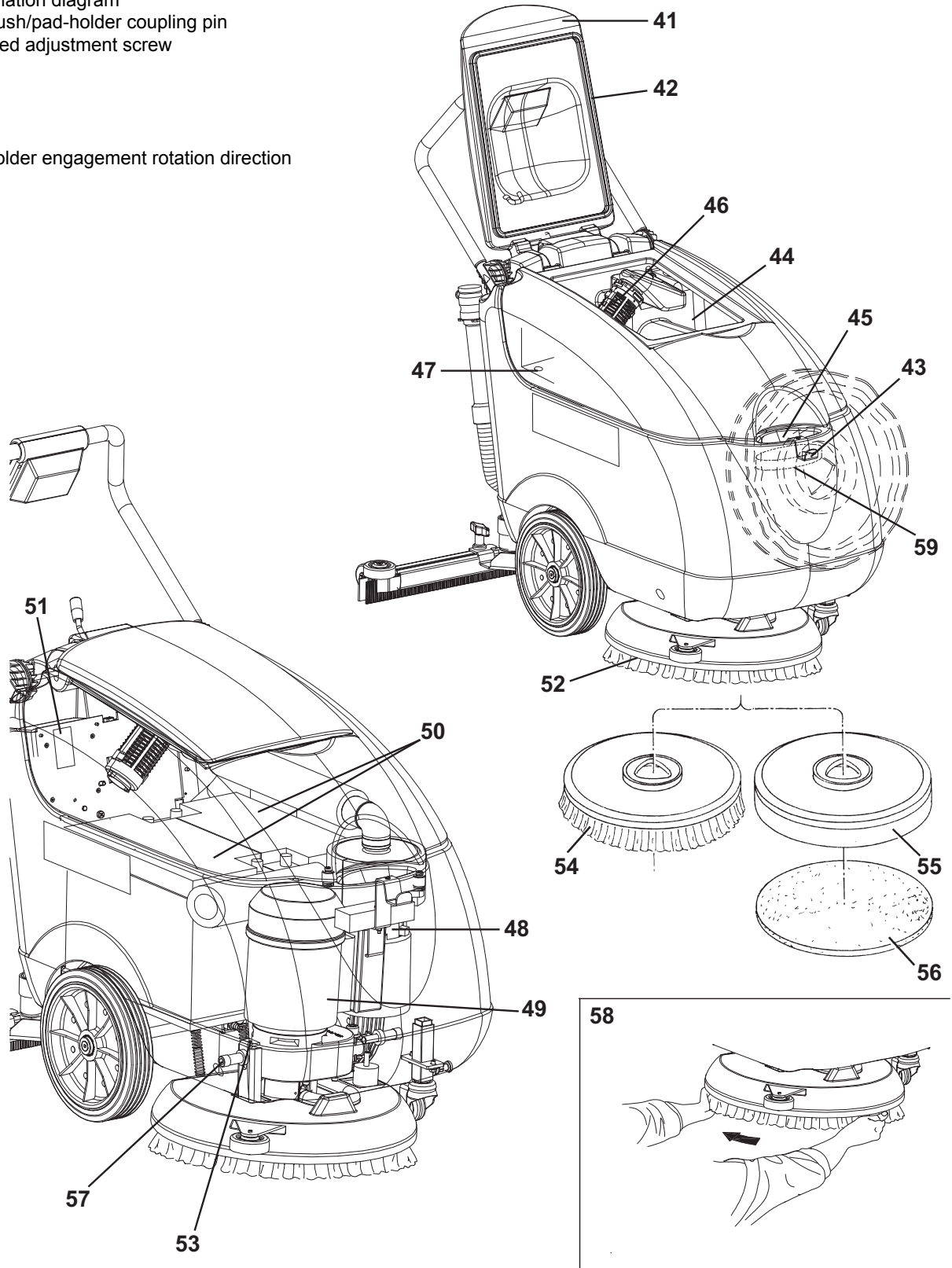
MACHINE STRUCTURE

1. Serial number plate/technical data
2. Handlebar
3. Handlebar inclination adjusting knob
4. Solution flow control lever
5. Solution flow control lever in Smart solution position (water "economy" usage, for a washing autonomy set to 70-80 minutes)
6. Recovery water tank cover
7. Rear support wheel for transport/parking
8. Central wheels on fixed axle
9. Brush/pad
10. Brush/pad cover
11. Squeegee
12. Squeegee mounting handwheels
13. Front squeegee blade
14. Rear squeegee blade
15. Squeegee blade mounting springs
16. Recovery water drain hose
17. Recovery water drain hose bracket
18. Solution drain valve
19. Squeegee lifting/lowering lever
20. Solution filter
21. Battery charger-electrical mains connecting cable
22. Squeegee vacuum hose
23. Transport/parking device
- 23a. Transport/parking device (engaged)
- 23b. Transport/parking device (disengaged)
24. Transport/parking device positioning pin
25. Electrical component box
26. Battery charger
27. Battery charger warning lights
28. Danger label
29. Squeegee bumper wheel
30. Brush/pad support
31. Recovery tank
32. Solution tank
33. Compensation hole



MACHINE STRUCTURE (Continues)

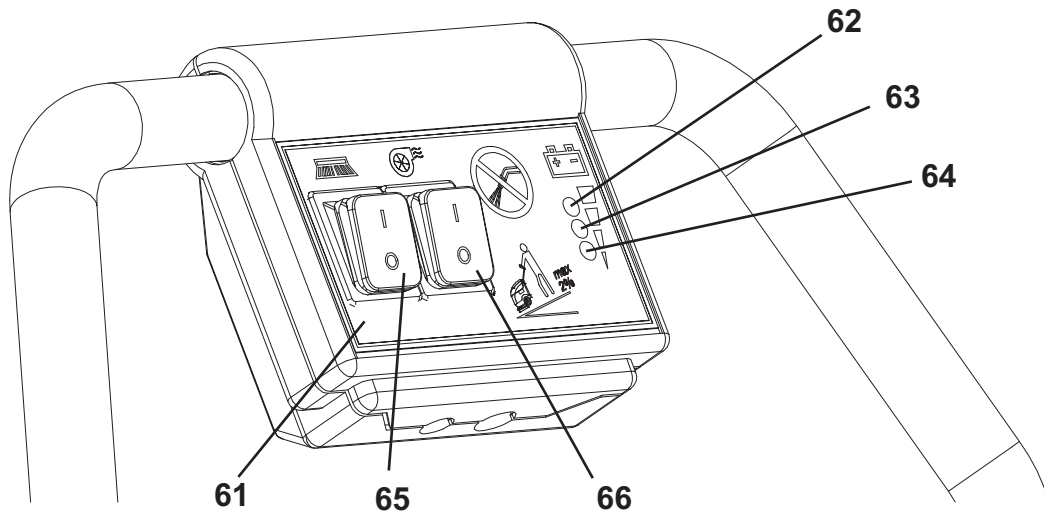
- 41. Recovery water tank cover (open)
- 42. Recovery water tank cover gasket
- 43. Brush/pad support
- 44. Recovery tank compartment
- 45. Solution tank filler neck
- 46. Vacuum grid with automatic shut-off float
- 47. Recovery water drain hole
- 48. Vacuum system motor
- 49. Brush/pad motor
- 50. Batteries
- 51. Battery installation diagram
- 52. Deck with brush/pad-holder coupling pin
- 53. Machine speed adjustment screw
- 54. Brush
- 55. Pad-holder
- 56. Pad
- 57. Screw
- 58. Brush/pad-holder engagement rotation direction
- 59. Foam filter



S310235

CONTROL PANEL

61. Control panel
62. Charged battery warning light (green)
63. Semi-discharged battery warning light (yellow)
64. Discharged battery warning light (red)
65. Brush/pad switch
66. Vacuum switch



S310227

ACCESSORIES/OPTIONS

In addition to the standard components, the machine can be equipped with the following accessories/options, according to the machine specific use:

- Brushes/pads of different materials
- Curved squeegee

For further information concerning the optional accessories, contact an authorized Retailer.

TECHNICAL DATA

General	Values
Machine length	39.2 in (997 mm)
Machine width with squeegee	28.3 in (720 mm)
Machine width without squeegee	22.4 in (570 mm)
Min/max machine height with adjustable handlebar	28.7 - 32.9 in (730 - 836 mm)
Total machine weight	138.6 lbs (63 kg)
Minimum turning radius	29.5 in (750 mm)
Cleaning width	16.9 in (430 mm)
Battery compartment size	13.7x13.7x10.2 in (350x350x260 mm)
Central (fixed axle) wheel diameter	9.8 in (250 mm)
Brush diameter	16.9 - 17 in (430 - 432 mm)
Rear wheel pressure on the floor	145 psi (1.0 N/mm ²)
Front wheel pressure on the floor	275.5 psi (1.9 N/mm ²)
Brush/pad pressure on the floor	50.6 lbs (23 kg)
Performance	Values
Vacuuming	41.5 inH ₂ O (1,055 mmH ₂ O)
Brush/pad-holder motor speed	135 rpm
Sound pressure level at workstation (ISO 11201, ISO 4871) (LpA)	65 dB(A) ± 3dB(A)
Machine sound pressure level (ISO 3744, ISO 4871) (LwA)	89 dB(A)
Vibration level at the operator's arms (ISO 5349-1)	< 2.5 m/s ²
Vacuum system motor power	0.4 HP (300 W)
Brush/pad motor power	0.7 HP (520 W)
Gradeability	2%
Battery voltage	24 V
Standard batteries	12 V, 87 Ah (GEL)
Clean water tank capacity	6.0 gal (23 liters)
Dirty water tank capacity	5.5 gal (21 liters)

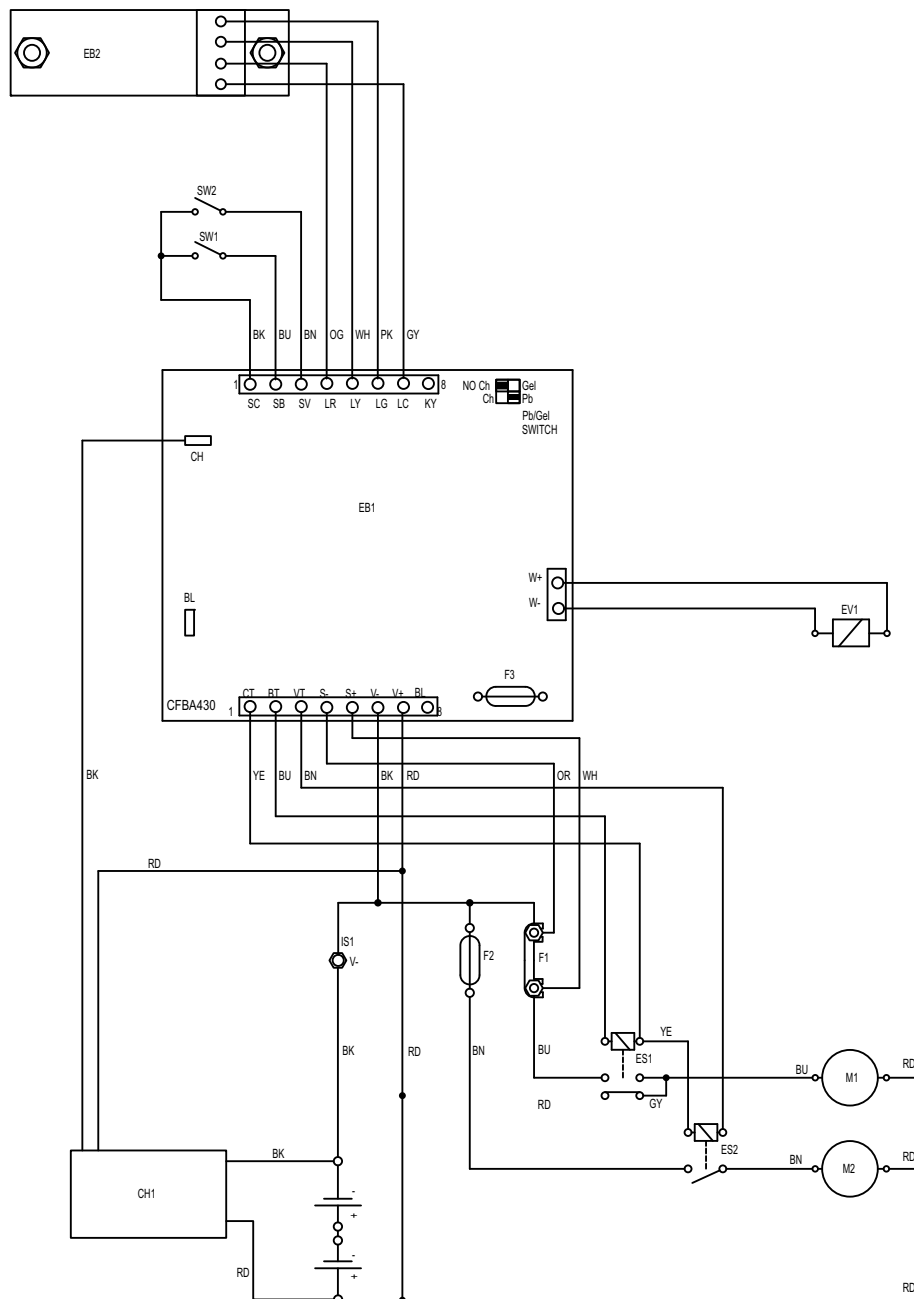
WIRING DIAGRAM

Key

CH1	Battery charger
C1	Battery charger connector
EB1	Electronic board (CF BA430)
EB2	Electronic board led (CF BALED)
ES1	Brush/pad switch
ES2	Vacuum switch
EV1	Water solenoid valve
F1	Brush fuse (40 A)
F2	Vacuum system fuse (40 A)
F3	Solenoid valve and electronic board fuse (5 A)
IS1	Negative insulator
M1	Brush/pad motor
M2	Vacuum system motor
SW1	Brush/pad switch
SW2	Vacuum switch

Color codes

BK	Black
BU	Blue
BN	Brown
GN	Green
GY	Grey
OG	Orange
PK	Pink
RD	Red
VT	Violet
WH	White
YE	Yellow



USE

**WARNING!**

On some points of the machine there are some adhesive plates indicating:

- **DANGER**
- **WARNING**
- **CAUTION**
- **CONSULTATION**

While reading this Manual, the operator must pay particular attention to the symbols shown on the plates.

Do not cover these plates for any reason, in case of damage replace them immediately.

BATTERY CHECK/SETTING ON A NEW MACHINE**WARNING!**

The electric components of the machine can be seriously damaged if the batteries are either improperly installed or connected. The batteries must be installed by qualified personnel only. Check the batteries for damage before installation. Handle the batteries with great care. Install the battery terminal caps supplied with the machine.

The machine requires two 12V batteries, connected according to the diagram (51).

The machine can be supplied in one of the following modes:

GEL batteries already installed on the machine

- Start the machine by pressing the brush/pad-holder and vacuum system switches (65 and 66). If the green warning light (62) turns on, the batteries are ready to be used.
- If the yellow or red warning light (63 or 64) turns on, it is necessary to charge the batteries before using the machine (see procedure in Maintenance chapter).

Without batteries

- Buy appropriate batteries [See the Technical Data paragraph and the diagram (51)]. For the battery choice and installation, apply to qualified battery retailers.
- Set the machine for GEL batteries, then install the batteries on the machine and charge them, as shown in the next paragraph.

GEL BATTERY SETTING, INSTALLATION AND CHARGING

The electronic board of the machine is to be set according to the type of batteries chosen, gel (GEL) batteries. Proceed as follows.

Machine setting

1. The machine factory setting is for GEL batteries; if this setting corresponds to the type of batteries supplied, go to step 4. Otherwise, carry out steps 2, and 3 too.
2. Remove the screws (A, Fig. 1), then remove the electrical component box cover (B).

**WARNING!**

Do not move/set the adjacent switch (D).

3. Reinstall the electric component box cover (B) and tighten the screws (A).

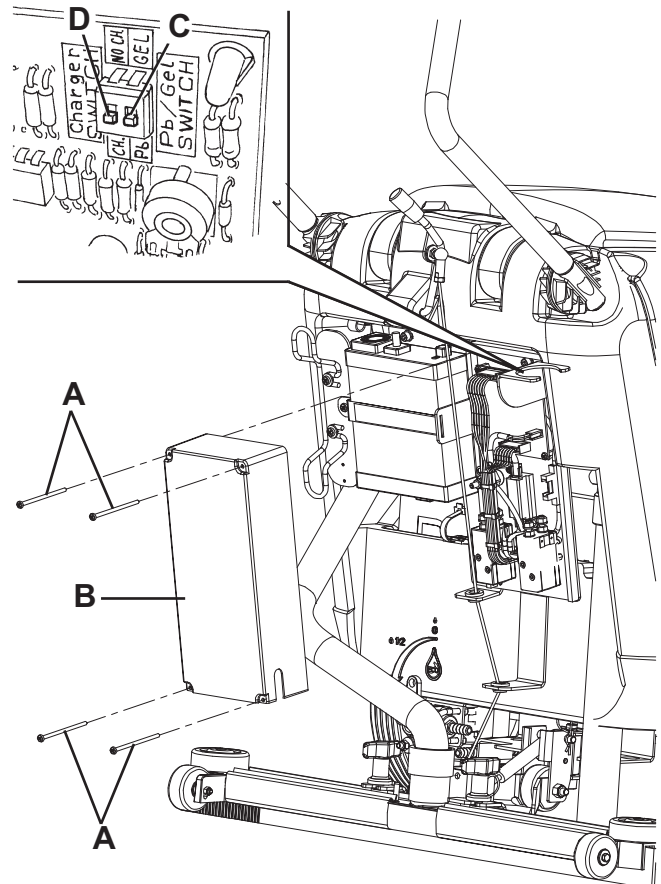


Figure 1

S310234B

Battery installation

4. Disconnect the vacuum hose (22) from the squeegee (11).
5. Disconnect the recovery water drain hose (16) from the bracket (17).
6. Open the cover (6).
7. Grasp the recovery tank (A, Fig. 2) in the area (B) and slightly raise it.
8. Disconnect the vacuum hose (C) from the tank, then remove the tank (A) with the hoses (D) and (E).
9. Install the batteries on the machine according to the diagram (28).
10. Install the tank (A, Fig. 2) by performing steps 6 to 10 in the reverse order.

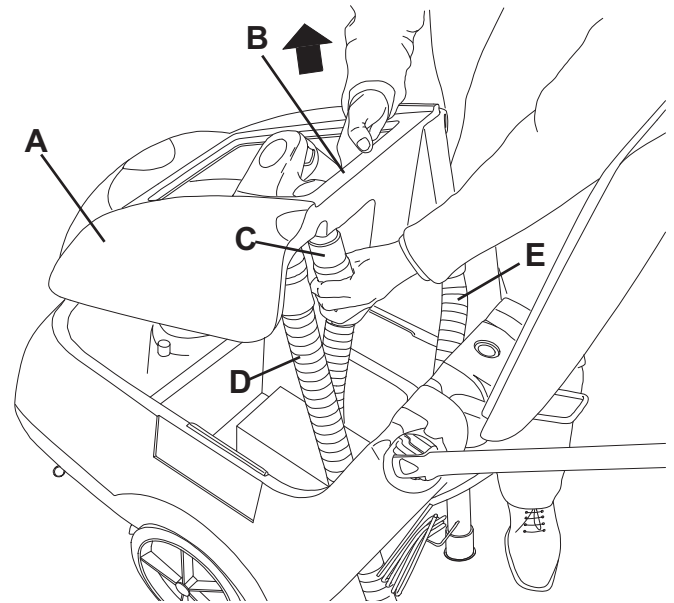


Figure 2

S310233 A

Battery charging

11. Charge the batteries (see the relevant procedure in Maintenance chapter).

BEFORE MACHINE START-UP

Brush or pad-holder installation



NOTE

Use either the brush (54) or the pad-holder (55) according to the type of floor to be cleaned.

1. Insert the positioning pin (24) and deactivate the transport/parking device (23b).
2. Lift the brush/pad cover (10) by prying the handlebar (2).
3. Place the brush (14) or the pad-holder (15) under the deck.
4. Lower the deck (10,) by means of the handlebar (2).
5. Engage the brush/pad-holder by pressing the brush/pad switch (65) for a few seconds. If the procedure is difficult, manually turn the brush/pad-holder counter-clockwise (58).

Brush/pad application guide (suggestions only)

Types of brushes available		Midlite Grit 180	Midgrit 240	Prolite	Union Mix
General cleaning	Concrete				
	Terrazzo floor				
	Ceramic tiles/quarzystones				
	Marble				
	Vinyl tiles				
	Rubber tiles				
Polishing	Rubber tiles				
	Marble				
	Vinyl tiles				

Squeegee installation

6. Install the squeegee (11) and fasten it with the handwheels (12), then connect the vacuum hose (22) to the squeegee.

Solution tank filling

7. Use the filler neck (45) to fill the tank (32) with a solution suitable for the work to be performed. Do not fill the solution tank completely, leave few inches from the edge. Always follow the dilution instructions on the label of the chemical product used to prepare the solution. The solution temperature must not exceed 40°C.

**CAUTION!**

Use only low-foam and non-flammable detergents, intended for automatic scrubber applications.

Adjustments

8. Using the knob (3), adjust the handlebar (2) to the most comfortable position.

MACHINE START AND STOP**Starting the machine**

1. Prepare the machine as shown in the previous paragraph.
2. Lower the squeegee (11) with the lever (19).
3. Turn the solution flow control lever (4) to one of the following positions, according to the type of cleaning to be performed:
 - Smart solutions: when the lever (4) is turned to Smart solutions (5), the machine works in a special condition of programmed water economy usage; as the water flow is set and constant, the machine can work with a washing autonomy of 70-80 minutes (0.3 liters/min average).
 - Variable system: when the lever is turned to the left (variable flow) the flow rate can increase up to 1 liters/min.
 - In no case it is possible to close completely the water flow to the brushes during operation.
4. While keeping the hand on the handlebar (2), start the machine by turning the brush/pad-holder switch and the vacuum system switch (65 and 66) to "1".

**NOTE**

If the green warning light (62) turns on, the batteries are ready to be used. If the yellow or red warning light (63 or 64) turns on, it is necessary to charge the battery (see the procedure in Maintenance chapter).

Stopping the machine

5. Turn the brush/pad-holder switch and the vacuum system switch (65 and 66) to "0".
6. Lift the squeegee with the lever (19).
7. Insert the positioning pin (24) and lift the brush/pad-holder by activating the transport/parking device (23a).

MACHINE OPERATION (SCRUBBING/DRYING)

1. Start the machine as shown in the previous paragraph.
2. While keeping both hands on the handlebar (2), move the machine and start scrubbing/drying the floor.
3. If necessary, adjust the solution quantity by using the lever (4).



CAUTION!

To avoid damaging the floor surface, do not use the brushes without the solution and, when the machine is not operating, stop the brush/pad-holder by pressing the switch (65).



CAUTION!

Before lifting the brush/pad, turn it off by pressing the switch (65).



NOTE

For correct scrubbing/drying of floors at the sides of the walls, Advance suggests to go near the walls with the right side of the machine as shown in figure 3.

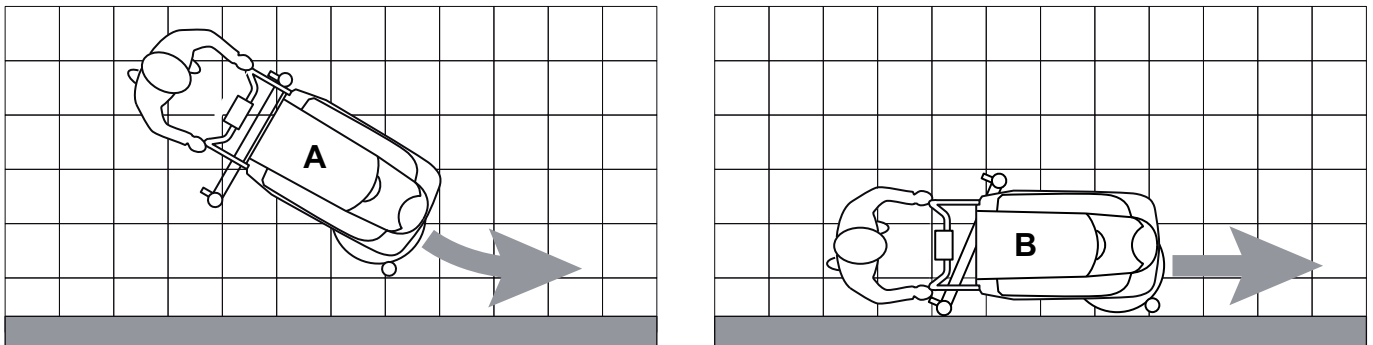


Figure 3

P100160



CAUTION!

In case of brush/pad-holder motor overload, due to foreign bodies which prevent them from turning, or to excessively aggressive floors/brushes, the safety system stops the brush/pad-holder after about one minute of continuous overload.

The overload is shown by the three warning lights (62, 63, 64) flashing simultaneously.

To start scrubbing again after a brush/pad-holder stop due to overload, stop the machine by turning the brush/pad-holder switch and the vacuum system switch (65 and 66) to "0". Turn on the machine by turning the brush/pad-holder switch and the vacuum system switch (65 and 66) to "I".

Battery discharge during operation

4. Until the green warning light (62) stays on, the batteries allow the machine to work normally. When the green warning light (62) turns off and the yellow (63) and red (64) warning lights turn on in sequence, it is necessary to charge the battery as the machine residual autonomy is at the minimum level.



CAUTION!

Do not use the machine with discharged batteries, to avoid damaging the batteries and reducing their life.

Machine speed adjustment

5. The machine speed varies according to the type of floor to be cleaned and the choice of using the brush or the pad. If necessary, it is possible to adjust the machine speed by following the relevant procedure in the Maintenance chapter.

MACHINE TRANSPORT/PARKING

To transport/park the machine, proceed as follows.

1. Turn the brush/pad-holder switch and the vacuum system switch (65 and 66) to "0".
2. Lift the squeegee with the lever (19).
3. Grasp the handlebar (2) and slightly lower it until the rear wheel (7) comes into contact with the floor (Fig. 4). While holding the machine in this position, push it to the transport/parking area.
4. In order not to drag the brush/pad on the floor and leave wet marks, when finishing working, remove the brush/pad-holder from the deck by using the release device (see the procedure in After Using The Machine paragraph), then place it on the support (43).

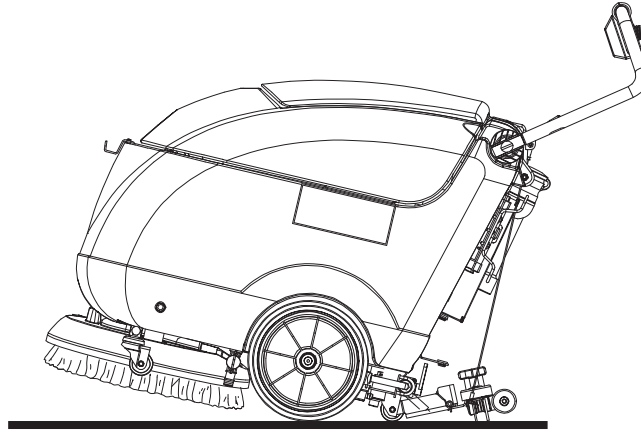


Figure 4

S310229A

TANK EMPTYING

An automatic float shut-off system (46) turns off the vacuum system when the recovery tank (31) is full.

The vacuum system shutdown, due to the recovery tank filling, is signalled by an increase in the vacuum system motor noise, moreover the floor is not dried.



CAUTION!

If the vacuum system turns off accidentally (for example, when the float is activated because of a sudden machine movement), to resume the operation: turn off the vacuum system by pressing the switch (66), then open the cover (6) and check that the float inside the grid (46) has gone down to the water level. Then close the cover (6) and turn on the vacuum system by pressing the switch (66).

When the recovery tank (31) is full, empty it according to the following procedure.

Recovery tank emptying

1. Start the machine by pressing the brush/pad-holder and vacuum system switches (65 and 66).
2. Lift the squeegee with the lever (19).
3. Drive the machine to the appointed disposal area.
4. Insert the positioning pin (24) and lift the brush/pad-holder by activating the transport/parking device (23a).
5. Empty the recovery tank with the drain hose (16). Then, rinse the tank with clean water.

Solution tank emptying

6. Perform steps 1 to 4.
7. Empty the solution tank by using the drain valve (18). Then, rinse the tank with clean water.

AFTER USING THE MACHINE

After working, before leaving the machine:

1. Remove the brush/pad-holder as follows:
 - With the brush/pad-holder lifted, turn the brush/pad-holder switch (65) to "I" and, after a few seconds, back to "0", thus releasing the brush/pad-holder.
2. Empty the tanks (31 and 32) as shown in the previous paragraph.
3. Perform the daily maintenance procedures (see the Maintenance chapter).
4. Store the machine in a clean and dry place, with the brush/pad and the squeegee lifted or removed.

RECOVERY TANK REMOVAL

To check the batteries, or to perform other procedures, it may be necessary to remove the recovery tank (31) as shown below.

1. Empty the recovery tank (31) as shown in the relevant paragraph.
2. Drive the machine on a level floor.
3. Make sure that the switches (65 and 66) are turned to "0".
4. Disconnect the vacuum hose (22) from the squeegee (11).
5. Disconnect the recovery water drain hose (16) from the bracket (17).
6. Open the cover (6).
7. Grasp the recovery tank (A, Fig. 5) in the area (B) and slightly raise it.
8. Disconnect the vacuum hose (C) from the tank, then remove the tank (A) with the hoses (D) and (E).

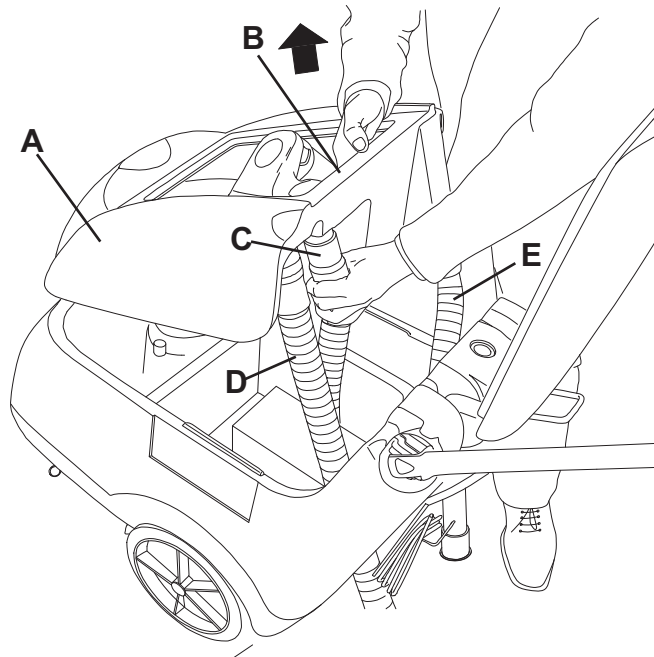


Figure 5

S310233A

MACHINE LONG INACTIVITY

If the machine is not going to be used for more than 30 days, proceed as follows:

1. Perform the operations described in the After Using The Machine paragraph.
2. Remove the recovery tank (31) according to the procedure shown in the previous paragraph, then disconnect the battery negative terminals (50).
3. Install the recovery tank (A).
4. Store the machine in a clean and dry place.

FIRST PERIOD OF USE

After the first period of use (first 8 hours) it is necessary to check the fixing and connecting parts of the machine for proper tightening. Check the visible parts for integrity and leakage.

MAINTENANCE

The lifespan of the machine and its operating safety are ensured by correct and regular maintenance. The following chart provides the scheduled maintenance. The intervals shown may vary according to particular working conditions, which are to be defined by the person in charge of the maintenance.



WARNING!

Maintenance operations must be carried out with the machine switched off and the batteries/battery charger cable disconnected.

Moreover, carefully read the instructions in Safety chapter.

All scheduled or extraordinary maintenance procedures must be performed by qualified personnel, or by an authorized Service Center. This manual describes only the easier and most common maintenance procedures.



NOTE

For other maintenance procedures contained in the scheduled maintenance chart, refer to the Service Manual that can be consulted at any Service Center.

SCHEDULED MAINTENANCE TABLE

Procedure	Daily or after using the machine	Weekly	Every six months	Yearly
Squeegee cleaning				
Brush cleaning				
Tank and vacuum grid cleaning				
Squeegee blade check and replacement				
Solution filter cleaning				
Battery charger				
Screw and nut tightening check			(1)	
Brush motor carbon brush check or replacement				(2)
Vacuum system motor carbon brush check or replacement				(2)

(1) And after the first 8 working hours

(2) This maintenance operation must be performed by Advance authorized Service Center.

SQUEEGEE CLEANING



NOTE

The squeegee must be clean and its blades must be in good conditions in order to get a good drying.



WARNING!

It is advisable to wear protective gloves when cleaning the squeegee because there may be sharp debris.

1. Drive the machine on a level floor.
2. Make sure that the switches (65 and 66) are turned to "0".
3. Lower the squeegee with the lever (19).
4. Disconnect the vacuum hose (22) from the squeegee.
5. Loosen the handwheels (12) and remove the squeegee (11).
6. Wash and clean the squeegee; in particular, clean the compartments (A, Fig. 6) and the vacuum hole (B) from dirt and debris.
7. Check the front blade (C) and the rear blade (D) for integrity, cuts and tears; if necessary replace them (see the procedure in the following paragraph).
8. Assemble in the reverse order of disassembly.

SQUEEGEE BLADE CHECK AND REPLACEMENT

1. Clean the squeegee as shown in the previous paragraph.
2. Check that the edges of the front blade (E, Fig. 6) and of the rear blade (I) lay down on the same level, along all their length; otherwise adjust their height as shown below:
 - Remove the fixing springs (F) and adjust the front blade (C) and the rear blade (D).
 - Install the mounting springs on the front and rear blades.
3. Check the front blade (C) and rear blade (D) for integrity, cuts and tears; otherwise replace them according to the following procedure. Also check the front corner (H) of the rear blade for wear; if it is worn, overturn the blade to replace the worn corner with the other one (I), if it is integral. If the other corner is worn too, replace the blade according to the following procedure:
 - Remove the fixing springs (F) and replace (or overturn) the rear blade (D).
 - Install the mounting springs on the front and rear blades.
4. Install the squeegee (11) and screw down the handwheels (12).
5. Connect the vacuum hose (22) to the squeegee (11).

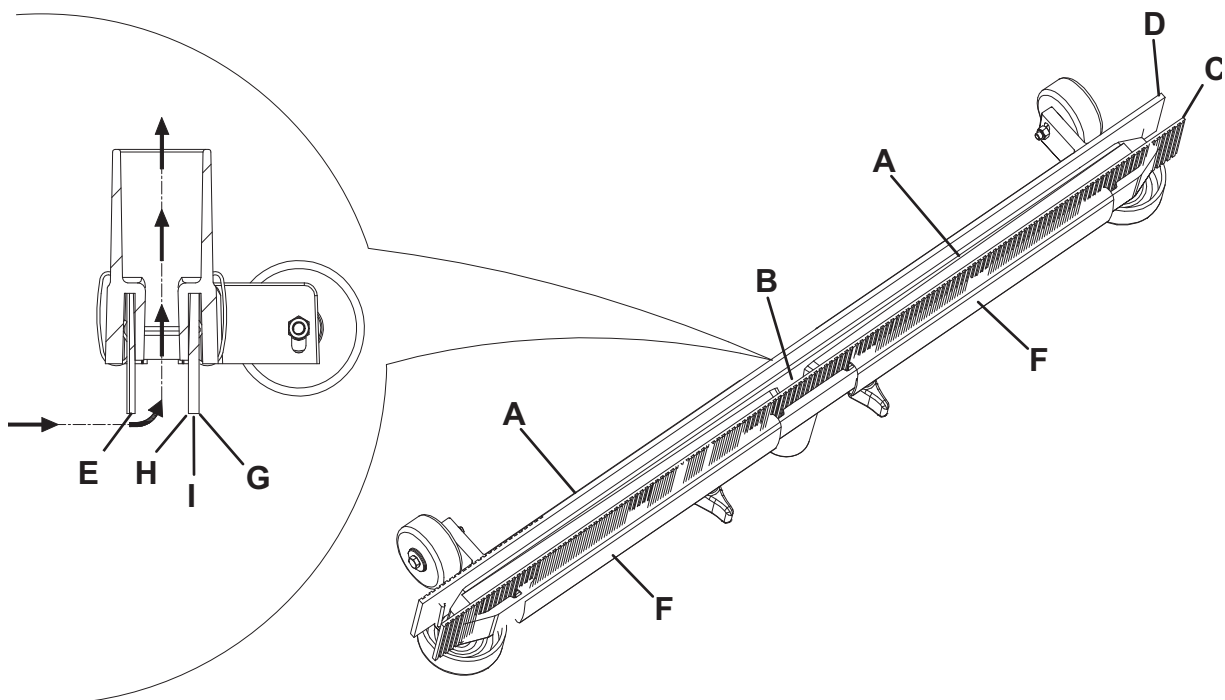


Figure 6

S310230A

BRUSH CLEANING**NOTE**

It is advisable to wear protective gloves when cleaning the brush because there may be sharp debris.

1. Remove the brush, as shown in the Use chapter.
2. Clean and wash the brush with water and detergent.
3. Check the brush bristles for integrity and wear; if necessary, replace the brush.

TANK AND VACUUM GRID CLEANING

1. Drive the machine to the appointed disposal area.
2. Make sure that the switches (65 and 66) are turned to "0".
3. Open the cover (6), then clean and wash the cover, the tanks (31 and 32) and the vacuum grid (46) with clean water. Drain the water from the tanks with the drain hose (16) and the valve (18).
4. If necessary, release the retainers (B, Fig. 7), open the vacuum grid (A), remove the float (C), carefully clean and reinstall them.
5. Check the recovery tank cover sealing gasket (D) for integrity.

**NOTE**

The gasket (D) creates vacuum in the tank that is necessary for the vacuuming of recovery water.

If necessary, replace the gasket (D) after removing it from its housing (E). When reassembling the new gasket, install the joint (F) in the central area as shown in the figure.

6. Check the bearing surface (D) of the gasket (G) for integrity and sealing capabilities.
7. Check the compensation hole (33) for clogging.

**NOTE**

The hole (33) compensates the air in the cover air gap, thus allowing the creation of vacuum in the recovery tank.

8. Close the recovery tank cover (6).

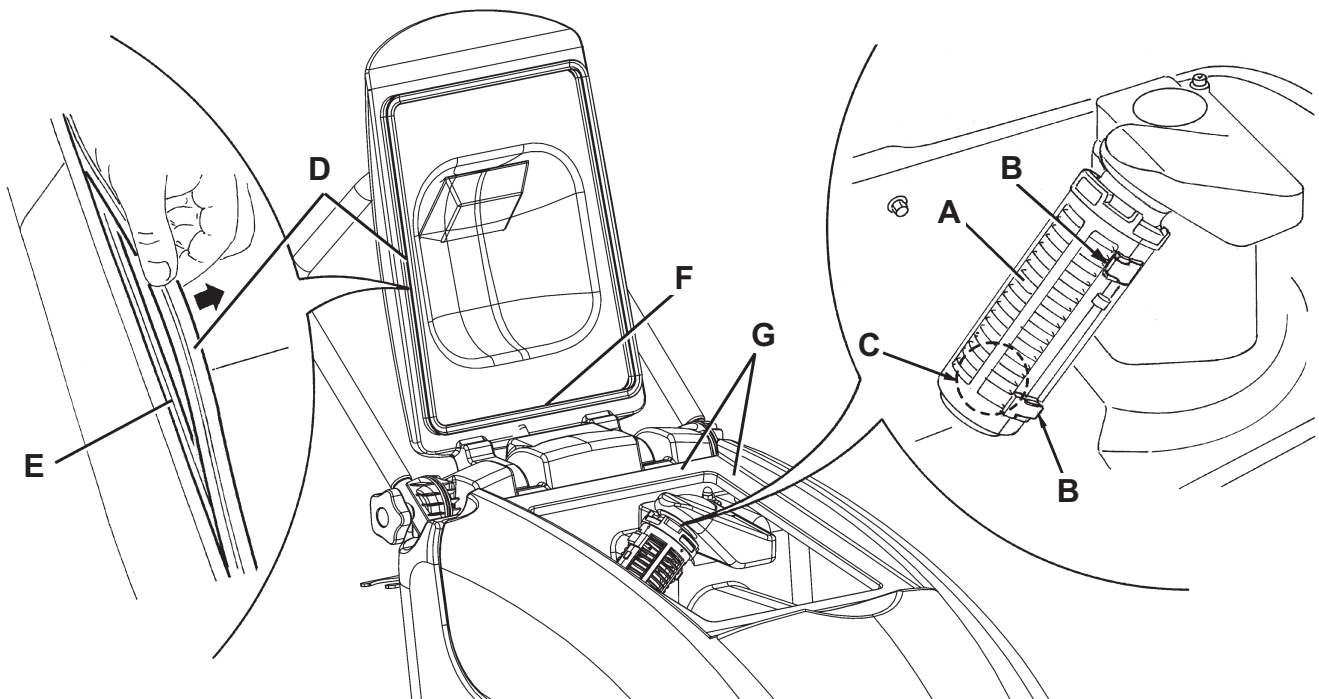


Figure 7

S310231B

SOLUTION FILTER CLEANING

1. Empty the solution tank (32) as shown in the relevant paragraph.
2. Drive the machine on a level floor.
3. Make sure that the switches (65 and 66) are turned to "0".
4. Remove the transparent cover (A, Fig. 8) and the filter strainer (B); clean and reinstall them on the support (C).



NOTE

The filter strainer (B) must be correctly positioned on the housing (D) of the support (C).

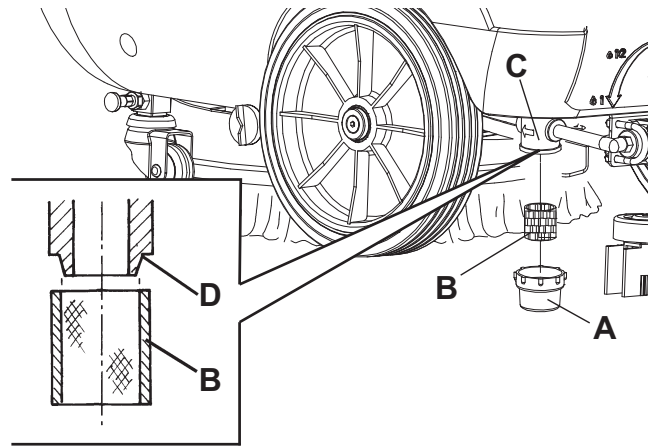


Figure 8

S310232A

MACHINE SPEED ADJUSTMENT



NOTE

*The machine speed varies according to the type of floor to be cleaned and the choice of using the brush or the pad.
The machine speed can be adjusted according to the following procedure.*

1. Remove the recovery tank as shown in the Use chapter.
2. Adjust the machine speed with the screw (53) according to the following procedure:
 - Loosen the screw (57), on the right side of the machine, by turning it counter-clockwise.
 - Turn the adjusting screw (53) counter-clockwise to increase the machine speed.
 - Turn the adjusting screw (53) clockwise to decrease the machine speed.
 - After adjusting, tighten the screw (57).
3. Install the recovery tank as shown in the Use chapter.
4. With the machine ready to operate, perform hands-on tests of the machine and, if other adjustments are necessary, repeat steps 1 to 4.

BATTERY CHARGING**NOTE**

Charge the batteries when the warning light (63 or 64) turns on, or when finishing cleaning. Keeping the batteries charged make them last longer.

**CAUTION!**

When the batteries are discharged, charge them as soon as possible, as that condition makes their life shorter. Check for battery charge at least once a week.

**WARNING!**

Charge the batteries in well-ventilated areas and away from naked flames. Do not smoke while charging the batteries. Do not reinstall the recovery tank until the battery charging cycle is over.

1. Drive the machine on a level floor.
2. Charge the batteries by connect the battery charger cable (21) to the electrical mains (the mains voltage and frequency must be the same as the battery charger corresponding values: see the Battery Charger Manual).

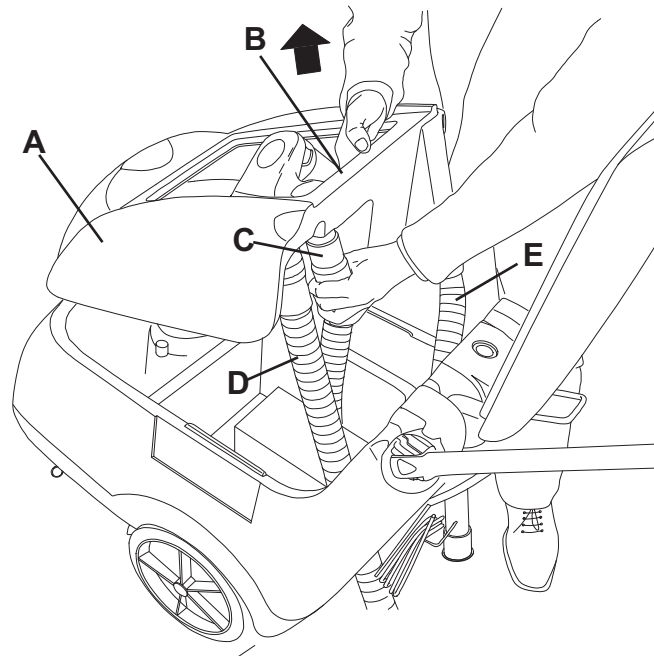
**NOTE**

When the battery charger is connected to the electrical mains, all machine functions are automatically cut off. The green warning light (27) flashes when the battery charger is charging the batteries.

3. When the green warning light (27) stays on, the battery charging cycle is over.
4. When the battery charging is completed, disconnect the battery charger cable (21) from the mains and wind it round its housing on the machine.
5. Now the machine is ready to be used.
6. Hold the recovery tank (A, Fig. 9) and place it on the machine as shown. Connect the suction hose (C) to the tank, then lower it in the original position.
7. Connect the suction hose (22) to the squeegee (11).
8. Close the cover (6)

**NOTE**

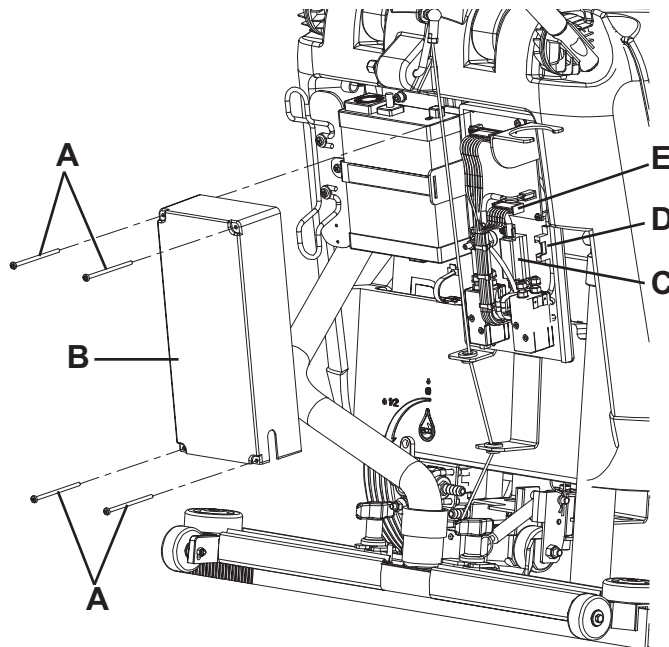
For further information about the battery charger operation (26), see the relevant Manual.

**Figure 9**

S310233A

FUSE CHECK/REPLACEMENT

1. Remove the recovery tank as shown in the Use chapter.
2. Disconnect the battery negative terminals (50).
3. Remove the screws (A, Fig. 10), then carefully remove the electrical component box cover (B).
4. Check/replace the fuses:
 - Brush (40 A) (C)
 - Vacuum system (40 A) (D)
 - Solenoid valve and electronic board (5 A) (E)
5. Assemble in the reverse order of disassembly.

**Figure 10**

S310234A

TROUBLESHOOTING

Trouble	Possible Cause	Remedy
No motor ignition; no warning light on	Disconnected battery terminals (50)	Connect
	Completely discharged batteries (50)	Charge
The warning lights (62, 63, 64) flashes simultaneously	The brush motor is overloaded	Use a different kind of brush
	There are foreign materials (tangled threads, etc.) preventing the brush from rotating	Clean the brush hub
No vacuum system motor ignition	Blown fuse	Replace
Insufficient dirty water vacuuming	The recovery tank (31) is full	Empty
	The vacuum grid (46) is clogged or the float is stuck closed	Clean the grid and check the float
	Vacuum hose (22) disconnected from the squeegee (11) or faulty	Connect
	The squeegee (11) is dirty or the squeegee blades (13, 14) are worn or damaged	Clean the squeegee or replace the blades
	The recovery tank cover (6) is not properly closed, or the gasket (42) is damaged	Check and/or clean the seating surface or replace the gasket
	Dirty recovery tank (31) (clogged drain hole)	Clean
Insufficient solution flow to the brush/pad	Dirty solution filter (20)	Clean
The squeegee leaves marks on the floor	Debris under the squeegee blades (13, 14)	Remove the debris
	Worn, chipped or torn squeegee blades (13, 14)	Replace the blades

For further information refer to the Service Manual, available at any Advance Service Center.

SCRAPPING

Have the machine scrapped by a qualified scrapper.

Before scrapping the machine, remove and separate the following materials, which must be disposed of properly according to the Law in force:

- Battery
- Brushes
- Plastic hoses and components
- Electrical and electronic components (*)

(*) Refer to the nearest Advance Center especially when scrapping electrical and electronic components.

TABLE DES MATIERES

INTRODUCTION	2
BUT ET CONTENU DU MANUEL	2
DESTINATAIRES.....	2
CONSERVATION DU MANUEL.....	2
DONNEES D'IDENTIFICATION	2
AUTRES MANUELS DE REFERENCE.....	2
PIECES DE RECHANGE ET ENTRETIEN	2
MODIFICATIONS ET AMELIORATIONS.....	2
CAPACITES OPERATIONNELLES.....	2
CONVENTIONS	2
DEBALLAGE / LIVRAISON	3
SECURITE	3
SYMBOLES UTILISES	3
INSTRUCTIONS GENERALES.....	3
DESCRIPTION DE LA MACHINE	5
STRUCTURE DE LA MACHINE.....	5
TABLEAU DE BORD	7
ACCESSOIRES / OPTIONS.....	7
CARACTERISTIQUES TECHNIQUES.....	8
SCHEMA ELECTRIQUE.....	9
UTILISATION	10
CONTROLE / PREPARATION DE LA BATTERIE SUR UNE MACHINE NEUVE.....	10
ETABLISSEMENT (GEL), INSTALLATION ET CHARGEMENT DES BATTERIES.....	10
AVANT LA MISE EN MARCHE DE LA MACHINE	11
MISE EN MARCHE ET ARRET DE LA MACHINE	12
MACHINE AU TRAVAIL (LAVAGE / SECHAGE)	13
TRANSPORT / STATIONNEMENT DE LA MACHINE.....	14
VIDANGE DES RESERVOIRS.....	14
APRES L'UTILISATION DE LA MACHINE	14
DEPOSE DU RESERVOIR DE L'EAU DE RECUPERATION	15
INACTIVITE PROLONGEE DE LA MACHINE	15
PREMIERE PERIODE D'UTILISATION.....	15
ENTRETIEN	16
PLAN D'ENTRETIEN PROGRAMME.....	16
NETTOYAGE DE L'EMBOUCHURE	17
CONTROLE ET REMPLACEMENT DES LAMELLES EN CAOUTCHOUC DE L'EMBOUCHURE	17
NETTOYAGE DE LA BROUSSE.....	18
NETTOYAGE DES RESERVOIRS ET DE LA GRILLE D'ASPIRATION.....	18
NETTOYAGE DU FILTRE DE LA SOLUTION	19
REGLAGE DE LA VITESSE D'AVANCE DE LA MACHINE.....	19
CHARGEMENT DES BATTERIES	20
CONTROLE / REMPLACEMENT DES FUSIBLES	21
DEPISTAGE DES PANNES	22
MISE A LA FERRAILLE	22

INTRODUCTION

**REMARQUE**

Les nombres entre parenthèses se réfèrent aux composants indiqués au chapitre Description de la machine.

BUT ET CONTENU DU MANUEL

Ce manuel se propose de fournir au client toutes les informations nécessaires afin qu'il puisse utiliser la machine correctement et la gérer de la manière la plus autonome et sûre. Il comprend des informations relatives à l'aspect technique, le fonctionnement, l'arrêt de la machine, l'entretien, les pièces de rechange et la sécurité.

Avant d'effectuer toute opération sur la machine, les opérateurs et les techniciens chargés de l'entretien doivent lire attentivement les instructions contenues dans ce texte. En cas de doutes sur la correcte interprétation des instructions, contacter un Service après-vente qualifié Advance pour avoir plus de renseignements.

DESTINATAIRES

Ce manuel s'adresse à l'opérateur aussi bien qu'aux techniciens préposés à l'entretien de la machine.

Les opérateurs ne doivent pas exécuter les opérations réservées aux techniciens qualifiés. Le fabricant ne répond pas des dommages dus à l'inobservance de cette interdiction.

CONSERVATION DU MANUEL

Le manuel d'emploi et d'entretien doit être gardé près de la machine, dans une enveloppe spéciale et, surtout, loin de liquides et de tout ce qui pourrait en compromettre l'état de lisibilité.

DONNEES D'IDENTIFICATION

Le numéro de série et le modèle de la machine sont indiqués sur la plaque (1) lisible de l'extérieur.

L'année du modèle de la machine est indiquée après le code de la date sur la plaque avec numéro de série (A08 signifie Janvier 2008).

Ces informations sont nécessaires lors de la commande des pièces de rechange de la machine. Utiliser l'espace ci-dessous pour y noter les données d'identification de la machine pour toute référence future.

Modèle de la MACHINE

Numéro de série de la MACHINE

AUTRES MANUELS DE REFERENCE

- Manuel d'utilisation du chargeur de batterie électronique, qui constitue une partie intégrante de ce manuel.
- Catalogue des pièces de rechange (livré avec la machine).
- Manuel d'entretien (consultable auprès des Services après-vente Advance).

PIECES DE RECHANGE ET ENTRETIEN

Pour toute nécessité relative à l'utilisation, l'entretien et, le cas échéant, les réparations, il faut s'adresser au personnel qualifié ou directement aux Services après-vente Advance, et il ne faut utiliser que des pièces de rechange et d'accessoires d'origine.

Pour l'assistance ou la commande de pièces de rechange et accessoires, contacter Advance en spécifiant toujours le modèle et le numéro de série.

MODIFICATIONS ET AMELIORATIONS

Advance vise à un constant perfectionnement de ses produits et se réserve le droit d'effectuer des modifications et des améliorations, lorsqu'elles sont nécessaires, sans l'obligation de modifier les machines précédemment vendues.

Il est entendu que toute modification et / ou addition d'accessoires doit toujours être approuvée et réalisée par le fabricant.

CAPACITES OPERATIONNELLES

Les autolaveuses sont conçues et fabriquées pour le nettoyage (lavage et séchage) de sols lisses et solides, en milieux civils et industriels, en conditions de complète sécurité, par un opérateur qualifié.

Les autolaveuses ne sont pas adaptées au lavage de tapis ou de moquettes.

CONVENTIONS

Toutes les références à en avant, en arrière, avant, arrière, droite ou gauche indiquées dans ce manuel doivent être considérées comme référées à l'opérateur en position de conduite, les mains sur le guidon (2).

DEBALLAGE / LIVRAISON

Pour déballer la machine, suivre attentivement les instructions sur l'emballage.

Lors de la livraison de la machine, contrôler attentivement que l'emballage et la machine n'ont pas été endommagés pendant le transport.

Si les dommages sont évidents, garder l'emballage de façon qu'il puisse être examiné par le transporteur qui l'a livré. Le contacter immédiatement pour remplir une demande de dommages-intérêts.

Contrôler que les composants suivants sont livrés avec la machine :

- Documentation technique :
 - Instructions d'utilisation de l'autolaveuse.
 - Manuel d'utilisation du chargeur de batterie électronique.
 - Catalogue de pièces de rechange de l'autolaveuse.
- N° 1 fusible à lamelle de 40 A
- N° 4 colliers
- N° 4 cache-bornes de batterie

SECURITE

On utilise les symboles suivants pour signaler les conditions de danger potentielles. Lire attentivement ces informations et prendre les précautions nécessaires pour protéger les personnes et les choses.

Pour éviter tout accident la collaboration de l'opérateur est essentielle. Aucun programme de prévention des accidents du travail ne peut résulter efficace sans la totale collaboration de la personne directement responsable du fonctionnement de la machine. La plupart des accidents qui peuvent survenir dans une entreprise, pendant le travail ou les déplacements, sont dus à l'inobservance des plus simples règles de prudence. Un opérateur attentif et prudent est la meilleure garantie contre les accidents du travail et se révèle indispensable pour compléter n'importe quel programme de prévention.

SYMBOLES UTILISES

**DANGER !**

Indique un danger qui comporte des risques, ou même la mort, pour l'opérateur.

**ATTENTION !**

Indique une situation exposant les personnes au risque de blessures.

**AVERTISSEMENT !**

Indique un avertissement ou une remarque sur des fonctions clé ou utiles.

Prêter la plus grande attention aux segments de texte marqués par ce symbole.

**REMARQUE**

Indique une remarque sur des fonctions clé ou utiles.

**CONSULTATION**

Indique la nécessité de consulter le manuel d'utilisation avant toute opération.

INSTRUCTIONS GENERALES

Les avertissements et précautions spécifiques suivants informent sur les potentiels dangers de dommages matériels ou blessures.

**DANGER !**

- **Avant d'effectuer toute opération de nettoyage, d'entretien et de remplacement des composants de la machine, positionner les interrupteurs généraux de la machine sur "0" et, si besoin est, débrancher la batterie.**
- **Cette machine doit être utilisée uniquement par le personnel adéquatement formé. L'utilisation de la machine est interdite aux enfants et aux personnes handicapées.**
- **Ne pas porter de bijoux quand on travaille près de composants électriques.**
- **Ne pas opérer avec cette machine en présence de poudres, liquides ou vapeurs nuisibles, dangereux, inflammables et / ou explosifs : la machine ne doit pas être utilisée pour ramasser des matériaux dangereux.**
- **Déposer le réservoir d'eau de récupération pendant le cycle de rechargement des batteries et effectuer cette opération dans un endroit bien aéré et loin de flammes libres.**

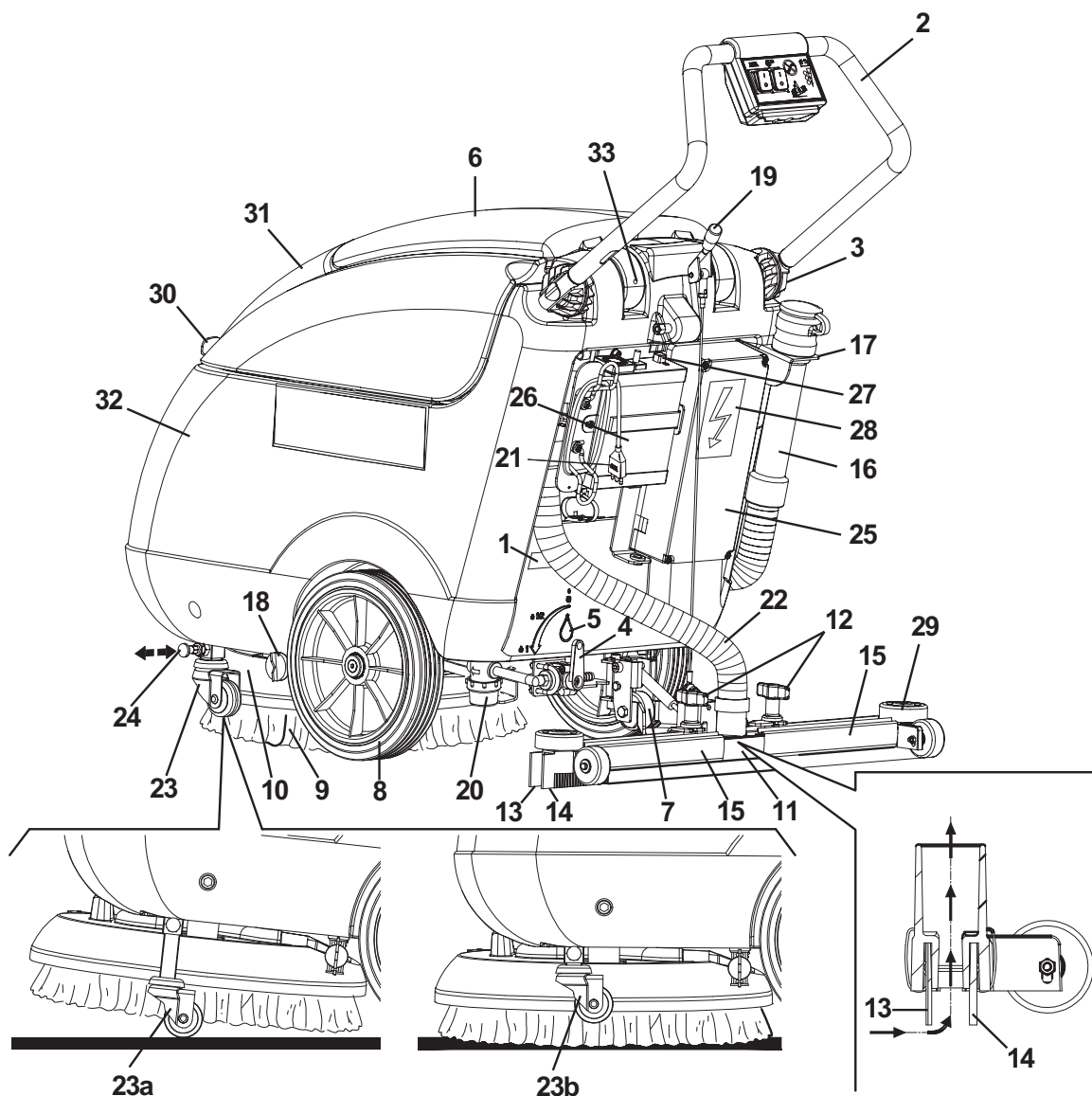
**ATTENTION !**

- Avant d'utiliser le chargeur de batterie, s'assurer que la fréquence et la tension indiquées sur la plaque avec numéro de série coïncident avec la tension du réseau.
- Ne pas utiliser le câble du chargeur de batterie pour tirer ou transporter la machine et ne pas utiliser le câble comme poignée. Ne pas fermer de porte sur le câble du chargeur de batterie, ne pas tirer le câble sur des surfaces ou coins tranchants. Ne pas faire passer la machine sur le câble du chargeur de batterie. Tenir le câble du chargeur de batterie loin des surfaces chaudes.
- Ne pas charger les batteries de la machine si le câble du chargeur ou la fiche sont endommagés. Si la machine ne fonctionne pas correctement, si elle est endommagée, laissée à l'extérieur ou tombée dans l'eau, la porter auprès d'un Service après-vente agréé.
- Pour réduire le risque d'incendie, chocs électriques ou blessures, ne pas laisser la machine sans surveillance lorsqu'elle est branchée au réseau électrique. Débrancher le câble du chargeur de batterie du réseau électrique avant d'effectuer toute opération d'entretien.
- Ne pas fumer pendant le chargement des batteries.
- Avant de laisser la machine sans surveillance, veiller à ce que celle-ci ne puisse pas bouger de façon autonome.
- Protéger toujours la machine du soleil, de la pluie et d'autres intempéries, pendant le fonctionnement et en état d'arrêt. Garder la machine dans un endroit couvert et sec : elle a été conçue pour l'utilisation à sec, par conséquent elle ne doit pas être utilisée ou gardée dehors, dans des conditions d'humidité.
- Avant d'utiliser la machine, fermer tous les portillons et / ou couvercles.
- Ne pas laisser que la machine est utilisée comme jouet. Faire attention lorsque la machine est utilisée à proximité des enfants.
- Ne pas utiliser à des fins autres que celles prévues dans ce manuel. Utiliser seulement les accessoires recommandés par le fabricant.
- Prendre les précautions convenables afin que les cheveux, les bijoux et les parties non adhérentes des vêtements ne soient pas capturés par les parties en mouvement de la machine.
- Avant de laisser la machine sans surveillance, veiller à ce que celle-ci ne puisse pas bouger de façon autonome.
- Ne pas utiliser la machine sur des surfaces ayant une pente supérieure aux valeurs spécifiées.
- Pendant l'utilisation de la machine, faire attention à sauvegarder l'intégrité des personnes et des choses.
- Ne pas heurter contre des étagères ou des échafaudages, en particulier en cas de danger de chute d'objets.
- Ne pas poser de conteneurs de liquides sur la machine.
- La température de travail de la machine doit être comprise entre 0°C et +40°C.
- La température de stockage doit être comprise entre 0°C et +40°C.
- L'humidité doit être comprise entre 30 % et 95 %.
- Ne pas utiliser la machine comme moyen de transport.
- Ne pas utiliser la machine sur des surfaces ayant une pente supérieure à la valeur indiquée sur la machine même.
- Ne pas faire travailler les brosses lorsque la machine est arrêtée pour ne pas endommager le sol.
- En cas d'incendie, il est préférable d'utiliser un extincteur à poudre, plutôt qu'un extincteur à eau.
- Ne pas altérer pour aucune raison les protections prévues pour la machine, respecter scrupuleusement les instructions prévues pour l'entretien ordinaire.
- Ne pas laisser entrer d'objets dans les ouvertures. Ne pas utiliser la machine si les ouvertures sont obstruées. Garder les ouvertures de la machine libres de poussière, filasse, poils et tout autre corps étranger à même de réduire le flux d'air.
- Ne pas enlever ou altérer les plaques apposées sur la machine.
- La machine n'est pas approuvée pour l'utilisation sur la voie publique.
- Faire attention pendant les déplacements de la machine en conditions de températures inférieures au point de congélation. L'eau présente dans le réservoir de l'eau de récupération ou dans les tuyaux pourrait se congeler et endommager sérieusement la machine.
- Utiliser les brosses et les disques livrés avec la machine et ceux spécifiés dans les Instructions d'utilisation. L'utilisation d'autres brosses ou disques peut compromettre la sécurité.
- S'assurer que les éventuelles anomalies de fonctionnement de la machine ne dépendent pas du manque d'entretien. En cas contraire, demander l'intervention du personnel autorisé ou d'un Service après-vente agréé.
- En cas de remplacement de pièces, demander les pièces de rechange D'ORIGINE à un Concessionnaire ou Revendeur agréé.
- Afin de garantir la sécurité et le bon fonctionnement de la machine, faire effectuer l'entretien programmé prévu au chapitre spécifique de ces Instructions par du personnel autorisé ou par un Service après-vente agréé.
- Avant d'effectuer toute opération d'entretien / réparation, lire attentivement toutes les instructions qui concernent l'entretien / réparation.
- Ne pas laver la machine avec des jets d'eau directs ou sous pression ou avec des substances corrosives.
- Lors de la mise à la ferraille, la machine ne doit pas être abandonnée par la présence de matériaux toxiques (batteries, etc.), sujets à des lois qui prévoient l'élimination auprès de centres spéciaux (voir le chapitre Mise à la ferraille).

DESCRIPTION DE LA MACHINE

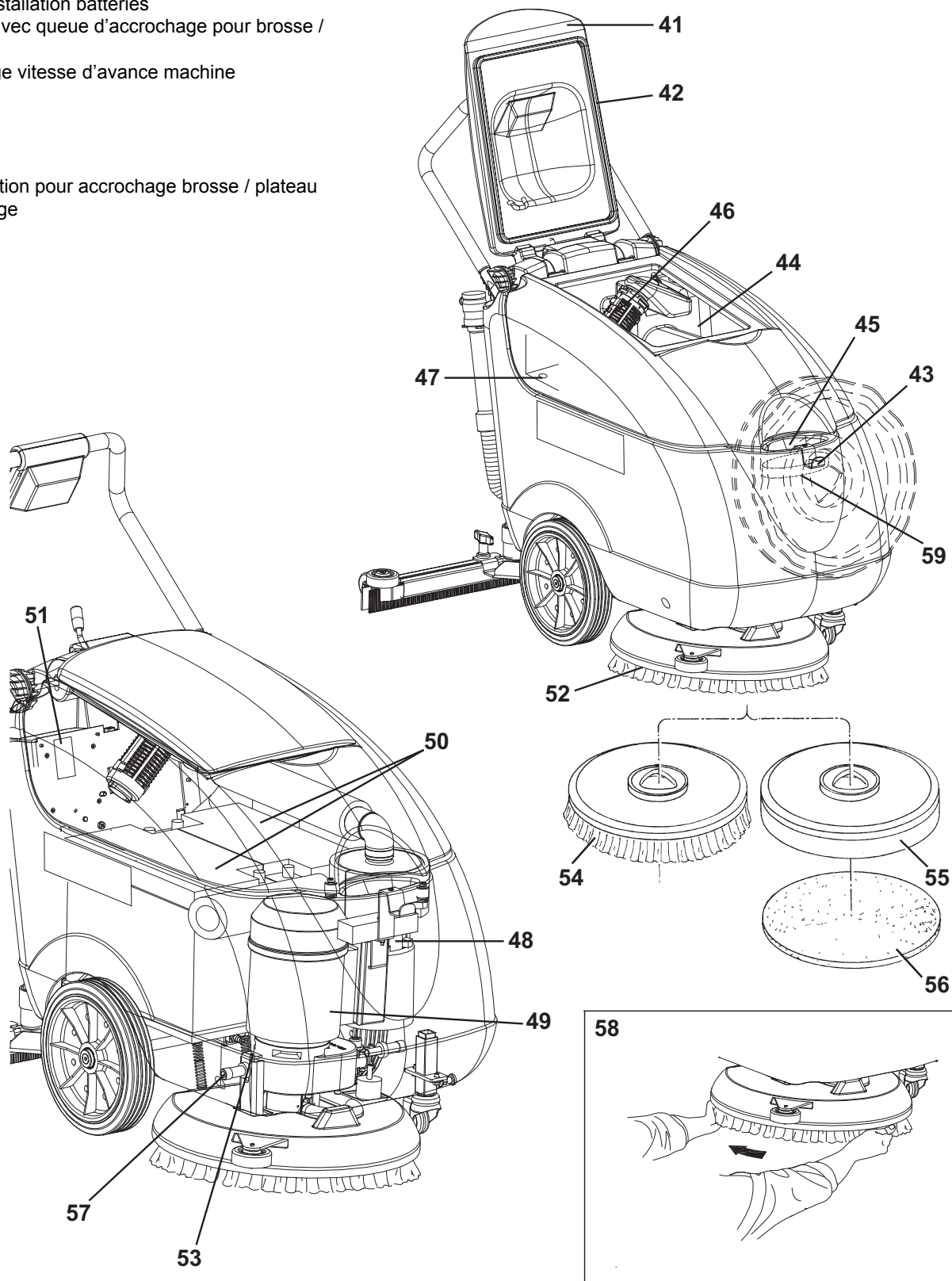
STRUCTURE DE LA MACHINE

1. Plaque avec numéro de série / données techniques
2. Guidon
3. Poignée de réglage inclinaison guidon
4. Levier de réglage flux de solution
5. Position du levier de réglage du flux de la solution dans Smart solutions (emploi "économique" de l'eau, pour une autonomie de lavage programmée de 70-80 minutes)
6. Couvercle réservoir eau de récupération
7. Roue arrière d'appui pour transport / stationnement
8. Roues centrales sur essieu fixe
9. Brosse / disque
10. Couverture de brosse / disque
11. Embouchure
12. Boutons de fixation embouchure
13. Lamelle en caoutchouc avant embouchure
14. Lamelle en caoutchouc arrière embouchure
15. Ressorts de fixation lamelles en caoutchouc embouchure
16. Tuyau de vidange eau de récupération
17. Support tuyau de vidange eau de récupération
18. Soupape de vidange solution
19. Levier de soulèvement / abaissement embouchure
20. Filtre de solution
21. Câble électrique de branchement chargeur de batterie au réseau électrique
22. Tuyau d'aspiration embouchure
23. Dispositif de transport / stationnement
- 23a. Dispositif de transport / stationnement activé
- 23b. Dispositif de transport / stationnement désactivé
24. Goupille de positionnement dispositif de transport / stationnement
25. Boîtier électrique
26. Chargeur de batterie
27. Témoins lumineux chargeur de batterie
28. Plaque adhésive de danger
29. Boutée de roue embouchure
30. Support de brosse / disque
31. Réservoir eau de récupération
32. Réservoir solution
33. Orifice de compensation



STRUCTURE DE LA MACHINE (suite)

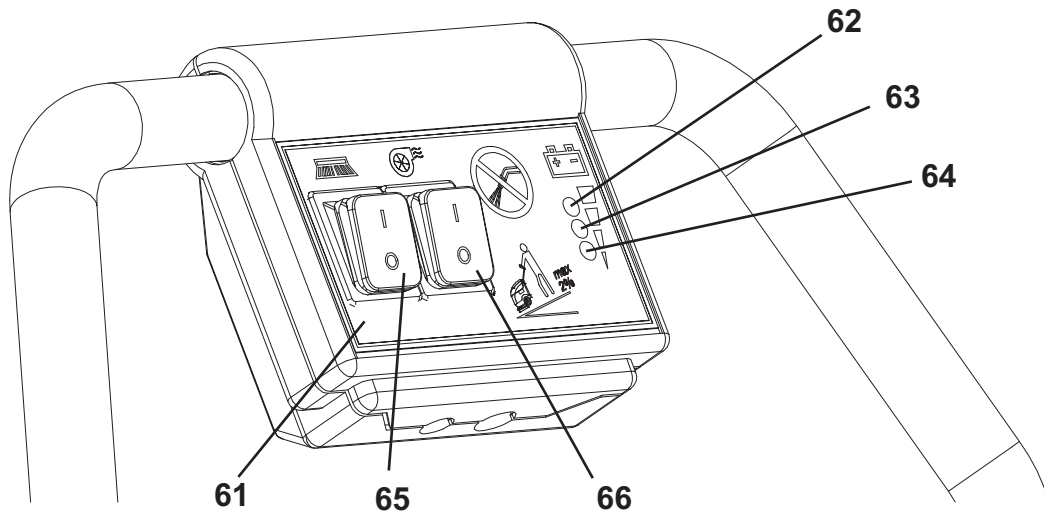
41. Couvercle réservoir eau de récupération (ouvert)
42. Joint d'étanchéité couvercle réservoir eau de récupération
43. Support de brosse / disque
44. Compartiment réservoir eau de récupération
45. Goulotte de remplissage réservoir solution
46. Grille d'aspiration avec fermeture automatique à flotteur
47. Orifice de drainage eau de récupération
48. Moteur d'aspiration
49. Moteur de brosse / disque
50. Batteries
51. Schéma d'installation batteries
52. Couverture avec queue d'accrochage pour brosse / plateau
53. Vis de réglage vitesse d'avance machine
54. Brosse
55. Plateau
56. Disque
57. Vis
58. Sens de rotation pour accrochage brosse / plateau
59. Filtre à éponge



S310235

TABLEAU DE BORD

- 61. Tableau de bord
- 62. Témoin lumineux de batterie chargée (vert)
- 63. Témoin lumineux de batterie presque déchargée (jaune)
- 64. Témoin lumineux de batterie déchargée (rouge)
- 65. Interrupteur brosse / disque
- 66. Bouton-poussoir d'aspiration



S310227

ACCESSOIRES / OPTIONS

Outre les composants présents dans le modèle standard, la machine peut être équipée des accessoires / options suivants, selon l'emploi spécifique de la machine :

- brosses / disques de matériaux différents ;
- embouchure courbée.

Pour de plus amples informations relatives aux accessoires optionnels susmentionnés, s'adresser au revendeur agréé.

CARACTERISTIQUES TECHNIQUES

Caractéristiques générales	Valeurs
Longueur machine	39.2 in (997 mm)
Largeur machine avec embouchure	28.3 in (720 mm)
Largeur machine sans embouchure	22.4 in (570 mm)
Hauteur minimum / maximum machine avec guidon réglable	730 - 32.9 in (28.7 - 836 mm)
Poids total machine	63 kg (138.6 lbs)
Rayon de braquage minimum	29.5 in (750 mm)
Largeur de nettoyage	16.9 in (430 mm)
Dimensions logement batteries	350 x 350 x 260 mm (13.7 x 13.7 x 10.2 in)
Diamètre roues centrales sur essieu fixe	250 mm (9.8 in)
Diamètre brosse / disque	430 - 432 mm (16.9 - 17 in)
Pression roues arrière au sol	1,0 N/mm ² (145 psi)
Pression roulette avant au sol	1,9 N/mm ² (275.5 psi)
Pression brosse / disque au sol	23 kg (50.6 lbs)

Performances	Valeurs
Aspiration	1.055 mmH ₂ O (41.5 inH ₂ O)
Vitesse moteur brosse / disque	135 tr/mn
Pression acoustique à l'oreille de l'opérateur (ISO 11201, ISO 4871) (LpA)	65 dB(A) ± 3dB(A)
Puissance acoustique émise par la machine (ISO 3744, ISO 4871) (LwA)	89 dB(A)
Niveau de vibrations au bras de l'opérateur (ISO 5349-1)	< 2,5 m/s ²
Puissance moteur d'aspiration	300 W (0.4 HP)
Puissance moteur brosse / disque	520 W (0.7 HP)
Pente maximum de travail	2%
Tension batteries	24 V
Batteries standard	12 V, 87 Ah (GEL)
Capacité réservoir eau propre	23 litres (6.0 gal)
Capacité réservoir eau sale	21 litres (5.5 gal)

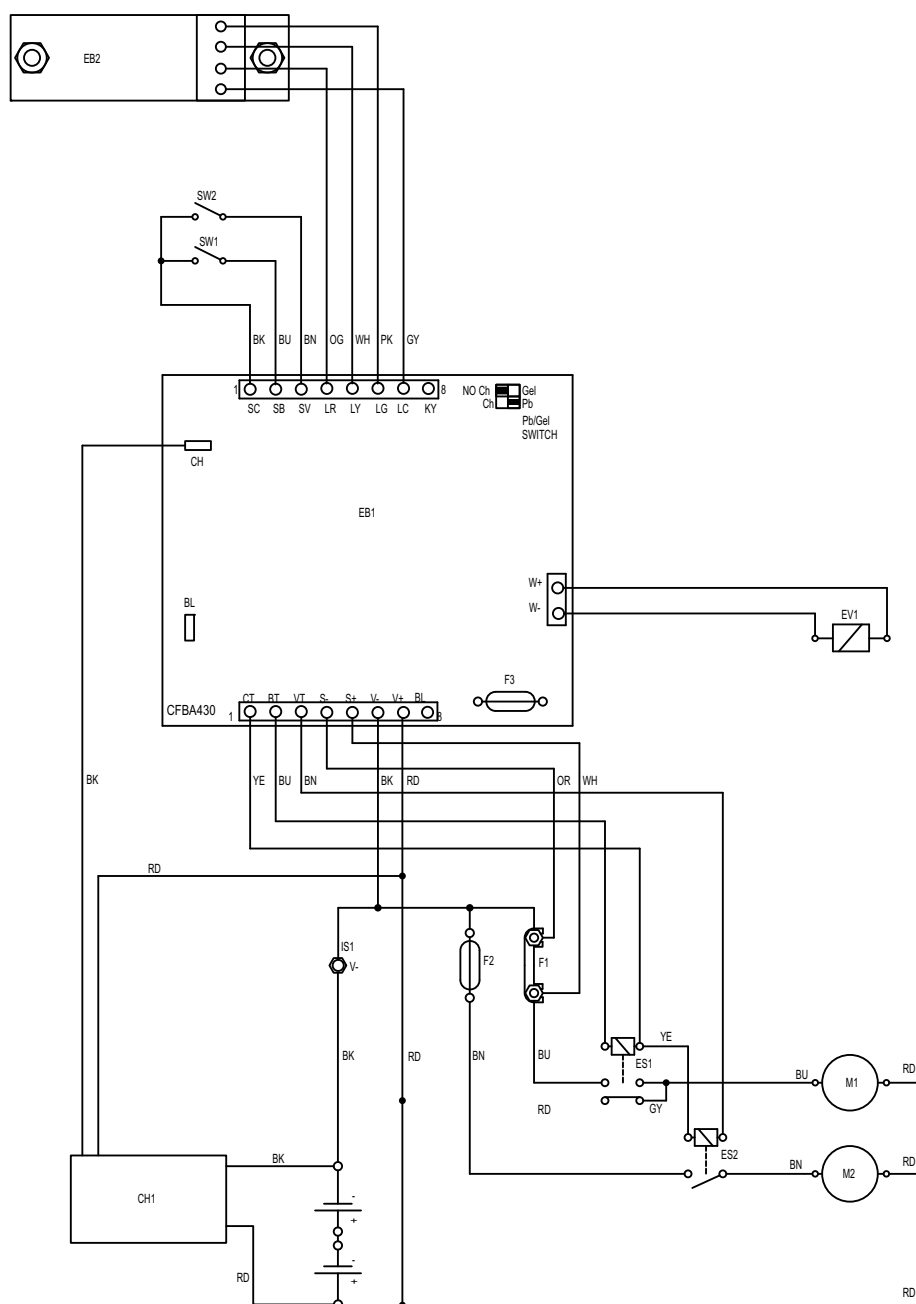
SCHEMA ELECTRIQUE

Légende

CH1	Chargeur de batterie
C1	Connecteur chargeur de batterie
EB1	Carte électronique (CF BA430)
EB2	DEL carte électronique (CF BALED)
ES1	Interrupteur brosse / disque
ES2	Bouton-poussoir d'aspiration
EV1	Electrovanne eau
F1	Fusible brosse (40 A)
F2	Fusible aspiration (40 A)
F3	Fusible électrovanne et carte électronique (5 A)
IS1	Isolateur négatif
M1	Moteur de brosse / disque
M2	Moteur d'aspiration
SW1	Interrupteur brosse / disque
SW2	Bouton-poussoir d'aspiration

Codes des couleurs

BK	Noir
BU	Bleu
BN	Marron
GN	Vert
GY	Gris
OG	Orange
PK	Rose
RD	Rouge
VT	Violet
WH	Blanc
YE	Jaune



UTILISATION



ATTENTION !

Des plaques adhésives appliquées sur certains points de la machine indiquent :

- DANGER
- ATTENTION
- AVERTISSEMENT
- CONSULTATION

Lors de la lecture de ce manuel, l'opérateur doit bien comprendre le sens des symboles illustrés sur les plaques.

Ne pas couvrir les plaques et les remplacer immédiatement en cas d'endommagement.

CONTROLE / PREPARATION DE LA BATTERIE SUR UNE MACHINE NEUVE



ATTENTION !

Les composants électriques de la machine peuvent être sérieusement endommagés si les batteries ne sont pas installées et branchées de façon correcte. Les batteries doivent être installées par du personnel qualifié. Contrôler les batteries avant l'installation pour vérifier qu'elles ne sont pas endommagées. Déplacer les batteries avec attention. Installer les cache-bornes de la batterie livrés avec la machine.

La machine requiert deux batteries de 12 V, branchées selon le schéma (51).

La machine peut être livrée selon un des modèles suivants :

Batteries au GEL installées sur la machine et prêtes à l'utilisation

- Démarrer la machine au moyen des interrupteurs de brosse / disque et d'aspiration (65 et 66). Si le témoin lumineux vert (62) s'allume, les batteries sont prêtes à l'utilisation.
- Si les témoins lumineux jaune ou rouge (63 ou 64) s'allument, il est nécessaire de charger les batteries avant d'utiliser la machine (voir la procédure au chapitre Entretien).

Sans batteries

- Acheter des batteries adéquates [voir le paragraphe Caractéristiques techniques et le schéma (51)]. Pour le choix et l'installation, s'adresser à des revendeurs de batteries qualifiés.
- Effectuer l'établissement (GEL) et l'installation des batteries dans la machine, puis les charger comme indiqué au paragraphe suivant.

ETABLISSEMENT (GEL), INSTALLATION ET CHARGEMENT DES BATTERIES

Configurer la carte électronique de la machine en fonction du type de batteries choisi (GEL). Procéder comme suit.

Configuration de la machine

1. L'établissement d'usine de la machine est pour batteries au GEL ; si cet établissement correspond au type de batteries fourni, passer à l'étape 4. Dans le cas contraire, exécuter les étapes 2 et 3.
2. Dévisser les vis (A, Fig. 1) et enlever avec soin le couvercle (B) du boîtier électrique.



ATTENTION !

Ne pas bouger / déplacer l'interrupteur adjacent (D).

3. Reposer le couvercle (B) du boîtier électrique et visser les vis (A).

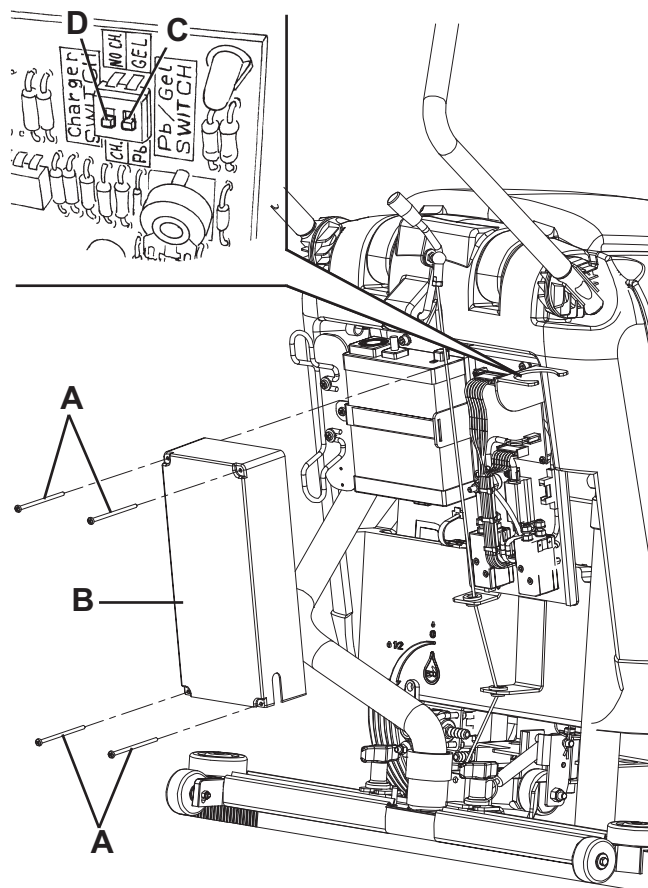


Figure 1

S310234B

Installation des batteries

4. Déconnecter le tuyau d'aspiration (22) de l'embouchure (11).
5. Déconnecter le tuyau de vidange de l'eau de récupération (16) du support (17).
6. Ouvrir le couvercle (6).
7. Saisir le réservoir de l'eau de récupération (A, Fig. 2) dans la zone (B) et le soulever légèrement.
8. Déconnecter le tuyau d'aspiration (C) du réservoir, puis déposer le réservoir (A) avec les tuyaux (D) et (E).
9. Installer les batteries dans la machine selon le schéma (28).
10. Remonter le réservoir (A, Fig. 2) en exécutant les étapes de 6 à 10 dans l'ordre inverse.

Chargement des batteries

11. Effectuer le chargement des batteries (voir la procédure au chapitre Entretien).

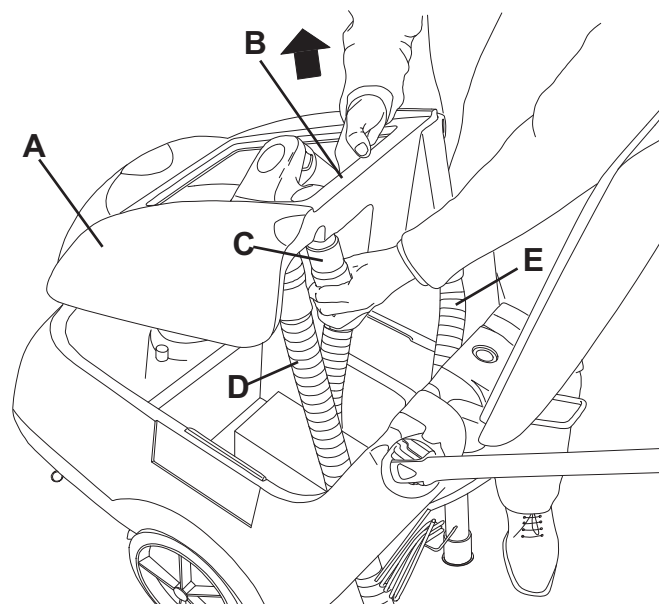


Figure 2

S310233 A

AVANT LA MISE EN MARCHÉ DE LA MACHINE**Installation de la brosse ou du plateau****REMARQUE**

Selon le type de sol à nettoyer, il est possible d'installer la brosse (54) ou le plateau (55).

1. Désactiver (23b) le dispositif de transport / stationnement de la machine après avoir reposé la goupille de positionnement (24).
2. Soulever la couverture de la brosse / disque (10) en faisant levier sur le guidon (2).
3. Positionner la brosse (14) ou le plateau (15) sous la couverture.
4. Baisser la couverture (10) au moyen du guidon (2).
5. Appuyer sur l'interrupteur de brosse / plateau (65) pendant quelques secondes pour permettre l'accrochage de la brosse / plateau. Si l'accrochage est difficile, tourner manuellement la brosse / plateau dans le sens contraire aux aiguilles d'une montre (58).

Suggestions pour le choix des brosses / disques

Types de brosses disponibles		Midlite Grit 180	Midgrit 240	Prolite	Union Mix
Nettoyage général	Béton				
	Pavage terrasse				
	Carreaux de céramique / de carrière				
	Marbre				
	Carreaux de vinyle				
	Carreaux de caoutchouc				
Polissage	Carreaux de caoutchouc				
	Marbre				
	Carreaux de vinyle				

Installation de l'embouchure

6. Installer l'embouchure (11) et la fixer avec les boutons (12), puis connecter le tuyau d'aspiration (22) à l'embouchure.

Remplissage du réservoir de solution

7. Au moyen de la goulotte de remplissage (45), remplir le réservoir de solution (32) avec une solution adéquate au travail à effectuer. Ne jamais remplir complètement le réservoir de solution, mais laisser toujours quelques centimètres du bord. Suivre toujours les instructions de dilution sur l'étiquette du conteneur du produit chimique utilisé pour la solution. La température de la solution ne doit jamais dépasser les 40°C.

**AVERTISSEMENT !**

Utiliser exclusivement des détergents liquides peu mousseux et non inflammables, adéquats pour les machines utilisées.

Réglages

8. Régler le guidon (2) à la position la plus confortable pour l'opérateur au moyen de la poignée (3).

MISE EN MARCHÉ ET ARRÊT DE LA MACHINE**Mise en marche de la machine**

1. Préparer la machine comme indiqué au paragraphe précédent.
2. Baisser l'embouchure (11) au moyen du levier (19).
3. Positionner le levier de réglage du flux de solution (4) dans une des positions suivantes, selon le type de nettoyage à effectuer :
 - Smart solutions : en positionnant le levier (4) dans la position Smart solutions (5), la machine travaille dans une particulière condition d'emploi programmé de l'eau ; le flux étant prédéterminé et constant, la machine peut travailler avec une autonomie de 70-80 minutes (0,3 litres / min en moyenne).
 - système variable : en tournant le levier à gauche (flux variable), il est possible d'augmenter le débit jusqu'à un maximum de 1 litre /min.
 - En aucun cas il n'est possible de fermer complètement le flux de l'eau aux brosses pendant le travail.
4. Tout en gardant une main sur le guidon (2), démarrer la machine en positionnant les interrupteurs de brosse / plateau et d'aspiration (65 et 66) sur "I".

**REMARQUE**

Si le témoin lumineux vert (62) s'allume, la machine est prête à l'utilisation. Si les témoins lumineux jaune ou rouge (63 ou 64) s'allument, il est nécessaire de charger les batteries (voir procédure au chapitre Entretien).

Arrêt de la machine

5. Positionner les interrupteurs de brosse / disque et d'aspiration (65 et 66) sur "0".
6. Soulever l'embouchure au moyen du levier (19).
7. Soulever la brosse / disque en activant le dispositif de transport / stationnement (23a) de la machine après avoir reposé la goupille de positionnement (24).

MACHINE AU TRAVAIL (LAVAGE / SECHAGE)

1. Mettre la machine en marche comme prévu au paragraphe précédent.
2. Tout en gardant les deux mains sur le guidon (2), déplacer la machine et commencer le travail de lavage / séchage du sol.
3. Si besoin est, régler la quantité de solution qui arrive à la brosse au moyen du levier (4).



AVERTISSEMENT !

Afin d'éviter d'endommager la surface du sol à nettoyer, ne pas utiliser les brosses à sec et, lorsque la machine est au repos, arrêter la rotation de la brosse / disque au moyen de l'interrupteur (65).



AVERTISSEMENT !

Avant de soulever la brosse / disque, en arrêter la rotation au moyen de l'interrupteur (65).



REMARQUE

Pour un lavage / séchage correct des sols près des murs, Advance conseille de s'approcher au murs avec le côté droit de la machine, comme indiqué dans la figure 3.

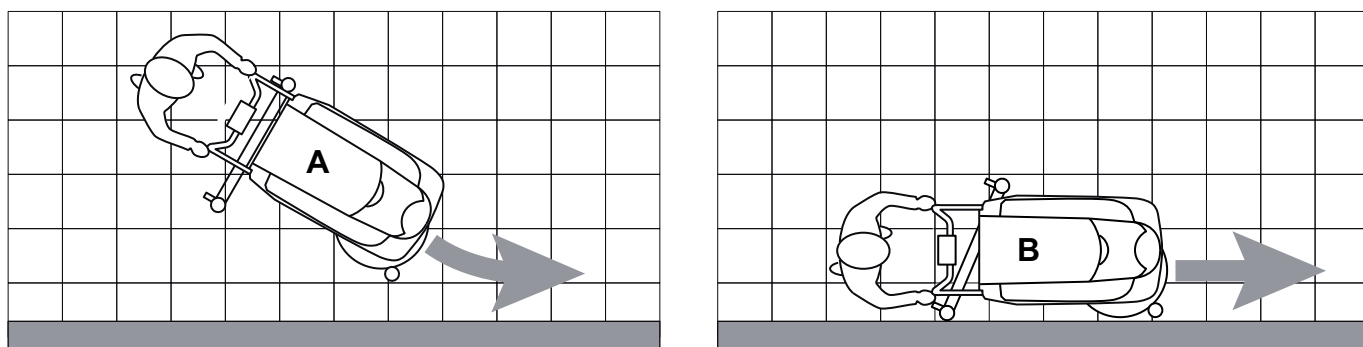


Figure 3

P100160



AVERTISSEMENT !

En cas de surcharge des moteurs des brosses / plateaux support disque, dû à corps étrangers qui empêchent leur mouvement, ou à sols difficiles / brosses dures, un système de sécurité arrête les brosses / plateaux support disque après un minute environ de surcharge continue.

La condition de surcharge est indiquée par le clignotement simultané des trois témoins lumineux (62, 63, 64).

Pour reprendre le travail après l'arrêt de la brosse / plateau support disque à cause de la surcharge, il est nécessaire d'arrêter la machine, en portant les interrupteurs de brosse / plateau support disque et du système d'aspiration (65 et 66) en position "0". Démarrer à nouveau la machine en positionnant les interrupteurs de brosse / plateau support disque et du système d'aspiration (65 et 66) sur "1".

Déchargement des batteries pendant le travail

4. Tant que le témoin lumineux vert (62) reste allumé, les batteries permettent le fonctionnement normal de la machine. Lorsque le témoin lumineux vert (62) s'éteint et les témoins lumineux jaune (63) et rouge (64) s'allument en séquence, il est nécessaire de procéder au chargement de la batterie, car l'autonomie résiduelle de fonctionnement de la machine est minimum.



AVERTISSEMENT !

Pour ne pas endommager les batteries en réduisant leur vie utile, ne pas insister à utiliser la machine avec les batteries déchargées.

Réglage de la vitesse d'avance de la machine

5. La vitesse d'avance de la machine varie selon le type de sol à nettoyer et le choix d'utiliser la brosse ou le disque. Si besoin est, il est possible de régler la vitesse d'avance en suivant la procédure au chapitre "Entretien".

TRANSPORT / STATIONNEMENT DE LA MACHINE

Pour le transport / stationnement de la machine, procéder comme suit.

1. Positionner les interrupteurs de brosse / disque et d'aspiration (65 et 66) sur "0".
2. Soulever l'embouchure au moyen du levier (19).
3. Saisir le guidon (2) et le baisser légèrement jusqu'à ce que la roue arrière (7) touche le sol (Fig. 4). Tout en gardant la machine dans cette condition, la pousser dans le lieu de transport / stationnement.
4. Le travail effectué, afin de ne pas entraîner la brosse / disque sur le sol et de ne pas laisser des traces mouillées, déposer la brosse / disque de la tête à l'aide du dispositif de décrochage (pour la procédure, voir le paragraphe Après l'utilisation de la machine), puis l'appuyer sur le support (43).

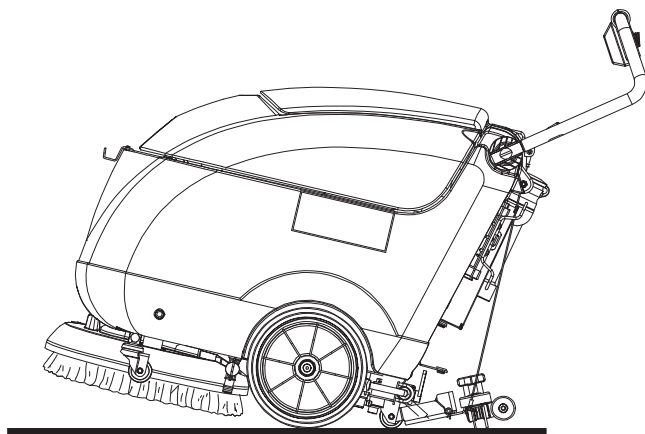


Figure 4

S310229A

VIDANGE DES RESERVOIRS

Un système de fermeture automatique à flotteur (46) bloque le système d'aspiration lorsque le réservoir de l'eau de récupération (31) est plein.

Le blocage du système d'aspiration, dû au remplissage du réservoir de l'eau de récupération, peut être détecté grâce à l'augmentation soudaine de la fréquence du bruit du moteur d'aspiration ; en outre, le système d'aspiration ne sèche pas le sol.



AVERTISSEMENT !

Si le système d'aspiration s'arrête pour causes accidentelles (par exemple pour l'intervention prématurée du flotteur pendant un déplacement soudain de la machine), pour le démarrer à nouveau, arrêter le système en appuyant sur l'interrupteur (66), puis ouvrir le couvercle (6) et vérifier que le flotteur dans la grille (46) est au niveau de l'eau ; enfin, fermer le couvercle (6) et appuyer sur l'interrupteur (66).

Lorsque le réservoir de l'eau de récupération (31) est plein, le vider en procédant comme suit.

Vidange du réservoir de l'eau de récupération

1. Arrêter la machine au moyen des interrupteurs de brosse / disque et d'aspiration (65 et 66).
2. Soulever l'embouchure au moyen du levier (19).
3. Pousser la machine dans la zone destinée à l'écoulement.
4. Soulever la brosse / disque en activant le dispositif de transport / stationnement (23a) de la machine après avoir reposé la goupille de positionnement (24).
5. Vider le réservoir de l'eau de récupération au moyen du tuyau de vidange (16). Le travail effectué, rincer le réservoir à l'eau propre.

Vidange du réservoir de la solution

6. Exécuter les étapes de 1 à 4 ci-dessus.
7. Vider le réservoir de solution à l'aide de la soupape de vidange (18). Le travail effectué, rincer le réservoir à l'eau propre.

APRES L'UTILISATION DE LA MACHINE

Le travail effectué, avant de laisser la machine :

1. Décrocher la brosse / plateau en procédant comme suit :
 - avec la brosse / disque soulevé, porter l'interrupteur de brosse / disque (65) sur "I" et, après quelques secondes, le porter à nouveau sur "0" en détachant ainsi la brosse / plateau.
2. Vider les réservoirs (31 et 32) comme indiqué au paragraphe précédent.
3. Effectuer les opérations d'entretien prévues après l'utilisation de la machine (voir le chapitre "Entretien").
4. Garder la machine dans un endroit sec et propre, avec la brosse / disque et l'embouchure soulevés ou déposés.

DEPOSE DU RESERVOIR DE L'EAU DE RECUPERATION

Pour contrôler les batteries ou pour effectuer d'autres opérations, il peut être nécessaire de déposer le réservoir de l'eau de récupération (31) ; procéder comme suit.

1. Vider le réservoir de l'eau de récupération (31), en procédant comme indiqué au paragraphe spécifique.
2. Porter la machine sur un sol plat.
3. Contrôler que les interrupteurs (65 et 66) sont en position "0".
4. Déconnecter le tuyau d'aspiration (22) de l'embouchure (11).
5. Déconnecter le tuyau de vidange de l'eau de récupération (16) du support correspondant (17).
6. Ouvrir le couvercle (6).
7. Saisir le réservoir de l'eau de récupération (A, Fig. 5) dans la zone (B) et le soulever légèrement.
8. Déconnecter le tuyau d'aspiration (C) du réservoir, puis déposer le réservoir (A) avec les tuyaux (D) et (E).

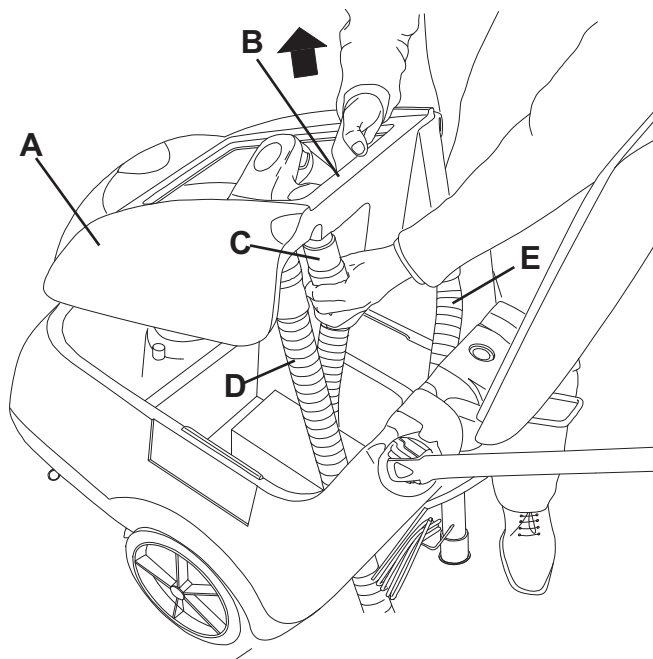


Figure 5

S310233A

INACTIVITE PROLONGEE DE LA MACHINE

Si on prévoit de ne pas utiliser la machine pendant plus de 30 jours, il est convenable d'effectuer les opérations suivantes :

1. Effectuer les opérations prévues au paragraphe "Après l'utilisation de la machine".
2. Débrancher les bornes négatives des batteries (50), après avoir déposé le réservoir de l'eau de récupération (31), comme indiqué au paragraphe précédent.
3. Reposer le réservoir de l'eau de récupération (A).
4. Garder la machine dans un endroit propre et sec.

PREMIERE PERIODE D'UTILISATION

Après la première période d'utilisation (les 8 premières heures), il est nécessaire de contrôler le serrage des éléments de fixation et de connexion de la machine. Vérifier que les parties visibles sont intactes et sans pertes.

ENTRETIEN

La durée de vie de la machine et sa sécurité de fonctionnement sont garanties par un entretien soigné et régulier. Veuillez trouver ci-dessous le plan récapitulatif d'entretien programmé. Les périodicités indiquées peuvent subir des variations en fonction de conditions de travail particulières, à définir par le responsable de l'entretien.



ATTENTION !

Les opérations d'entretien doivent être exécutées avec la machine à l'arrêt, les batteries et le câble électrique du chargeur de batterie débranchés.

En outre, lire attentivement toutes les instructions du chapitre Sécurité.

Toutes les opérations d'entretien programmé ou extraordinaire doivent être effectuées par du personnel qualifié ou par un Service après-vente agréé. Ces instructions ne contiennent que les opérations d'entretien les plus simples et les plus récurrentes.



REMARQUE

Pour les procédures des autres opérations d'entretien prévues par le plan d'entretien programmé, se référer au manuel d'entretien consultable auprès des Services après-vente.

PLAN D'ENTRETIEN PROGRAMME

Opération	Quotidienne ou après l'utilisation de la machine	Hebdomadaire	Semestrielle	Annuelle
Nettoyage embouchure				
Nettoyage brosse				
Nettoyage réservoirs et grille d'aspiration				
Contrôle et remplacement lamelles en caoutchouc embouchure				
Nettoyage filtre de solution				
Chargement batteries				
Contrôle serrage vis et écrous			(1)	
Contrôle et remplacement charbons moteur brosse				(2)
Contrôle et remplacement charbons moteur aspiration				(2)

(1) et après les 8 premières heures de travail

(2) pour ces opérations d'entretien, contacter un Service après-vente qualifié Advance.

NETTOYAGE DE L'EMBOUCHURE



REMARQUE

Pour un bon séchage, l'embouchure doit être propre et les lamelles en caoutchouc doivent être en bon état.



ATTENTION !

Lors du nettoyage de l'embouchure, il est conseillé de porter des gants de protection à cause de la présence éventuelle de débris tranchants.

1. Porter la machine sur un sol plat.
2. Contrôler que les interrupteurs (65 et 66) sont en position "0".
3. Baisser l'embouchure au moyen du levier (19).
4. Déconnecter le tuyau d'aspiration (22) de l'embouchure.
5. Desserrer les boutons (12) et déposer l'embouchure (11).
6. Laver et nettoyer l'embouchure, en particulier éliminer toute trace de saleté et débris des compartiments de convoyage (A, Fig. 6) et de l'orifice d'aspiration (B).
7. Contrôler que la lamelle en caoutchouc avant (C) et la lamelle en caoutchouc arrière (D) sont intactes et qu'elles ne présentent pas de coupures ou déchirures ; dans le cas contraire, les remplacer (voir la procédure au paragraphe suivant).
8. Pour la repose, procéder dans l'ordre inverse de la dépose.

CONTROLE ET REMPLACEMENT DES LAMELLES EN CAOUTCHOUC DE L'EMBOUCHURE

1. Nettoyer l'embouchure comme décrit au paragraphe précédent.
2. Contrôler que les bords de la lamelle en caoutchouc avant (E, Fig. 6) et de la lamelle en caoutchouc arrière (I) se posent simultanément sur un plan, en toute leur longueur ; dans le cas contraire, régler leur hauteur en procédant comme suit :
 - régler la lamelle en caoutchouc avant (C) et la lamelle en caoutchouc arrière (D) après avoir déposé les pinces d'accrochage (F) ;
 - reposer les ressorts de fixation sur les lamelles en caoutchouc avant et arrière correctement réglés.
3. Contrôler que la lamelle en caoutchouc avant (C) et la lamelle en caoutchouc arrière (D) sont intactes et qu'elles ne présentent pas de coupures ou de déchirures ; dans le cas contraire, les remplacer en procédant comme suit. Contrôler aussi que l'arête de la lamelle en caoutchouc arrière (H) n'est pas usée ; dans le cas contraire, renverser la lamelle, en remplaçant l'arête usée avec l'autre arête (G), si elle est encore intacte. Si l'autre arête est usée, remplacer la lamelle en caoutchouc, en procédant comme suit :
 - remplacer (ou renverser) la lamelle en caoutchouc arrière (D) après avoir déposé les pinces d'accrochage (F) ;
 - reposer les ressorts de fixation sur les lamelles en caoutchouc avant et arrière correctement réglés.
4. Remonter l'embouchure (11) et serrer les boutons (12).
5. Connecter le tuyau d'aspiration (22) à l'embouchure (11).

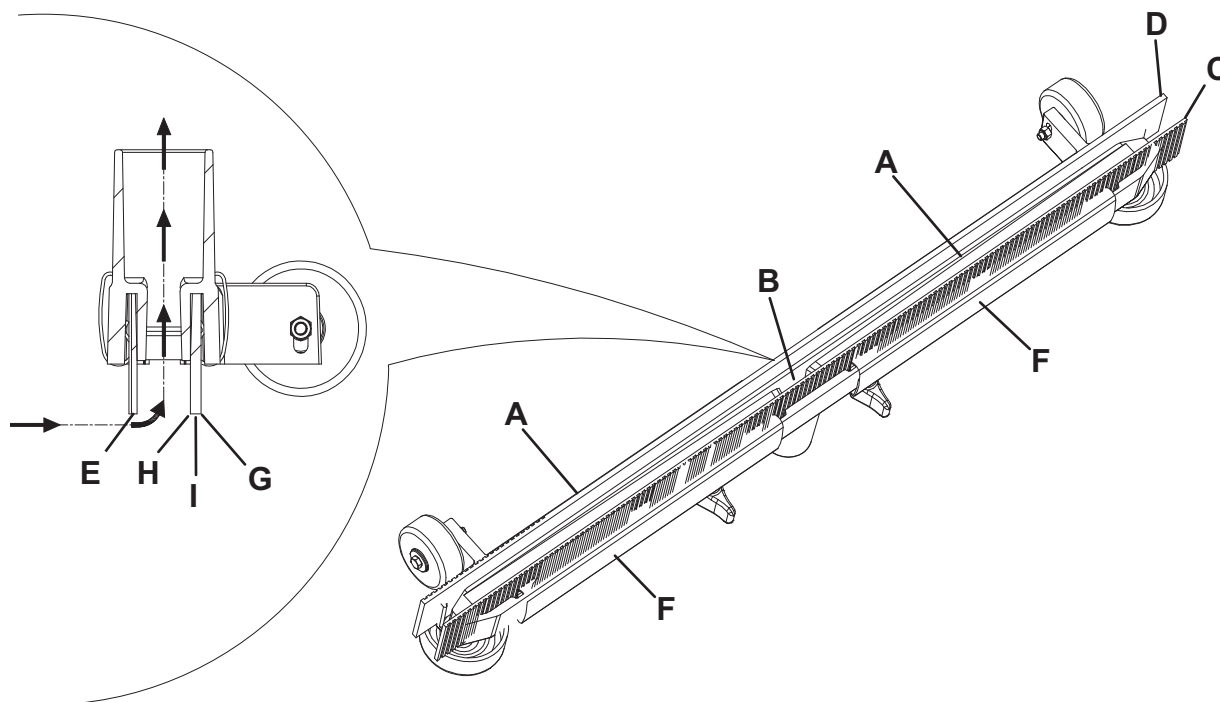


Figure 6

S310230A

NETTOYAGE DE LA BROSSE



REMARQUE

Lors du nettoyage de la brosse, il est conseillé de porter des gants de protection à cause de la présence éventuelle de débris tranchants.

1. Déposer la brosse de la machine comme prévu au chapitre Utilisation.
2. Nettoyer et laver la brosse avec de l'eau et de la solution.
3. Contrôler que les poils de la brosse sont intacts et non excessivement usés ; dans le cas contraire, remplacer la brosse.

NETTOYAGE DES RESERVOIRS ET DE LA GRILLE D'ASPIRATION

1. Pousser la machine dans la zone destinée à l'écoulement.
2. Contrôler que les interrupteurs (65 et 66) sont en position "0".
3. Soulever le couvercle (6), nettoyer et laver à l'eau propre le couvercle, les réservoirs (31 et 32) et la grille d'aspiration (46). Vider l'eau des réservoirs à l'aide du tuyau de vidange (16) et de la soupape (18).
4. Si besoin est, dégager les dispositifs de retenue (B, Fig. 7), ouvrir la grille d'aspiration (A), récupérer le flotteur (C) et nettoyer soigneusement ; enfin reposer en place.
5. Contrôler l'intégrité du joint d'étanchéité (D) du couvercle du réservoir de l'eau de récupération.



REMARQUE

Le joint d'étanchéité (D) permet la création d'une dépression dans le réservoir, nécessaire à l'aspiration de l'eau de récupération.

Si besoin est, remplacer le joint d'étanchéité (D) après l'avoir déposé de son logement (E). Lors de la repose du nouveau joint d'étanchéité, positionner le raccord (F) dans la zone centrale indiquée dans la figure.

6. Contrôler aussi l'intégrité et l'efficacité de la surface d'appui (G) du joint d'étanchéité (D).
7. Vérifier que l'orifice de compensation (33) n'est pas obstrué.



REMARQUE

L'orifice (33), en permettant la compensation de l'air dans l'interstice du couvercle, contribue à la création de dépression dans le réservoir de l'eau de récupération.

8. Refermer le couvercle du réservoir de l'eau de récupération (6).

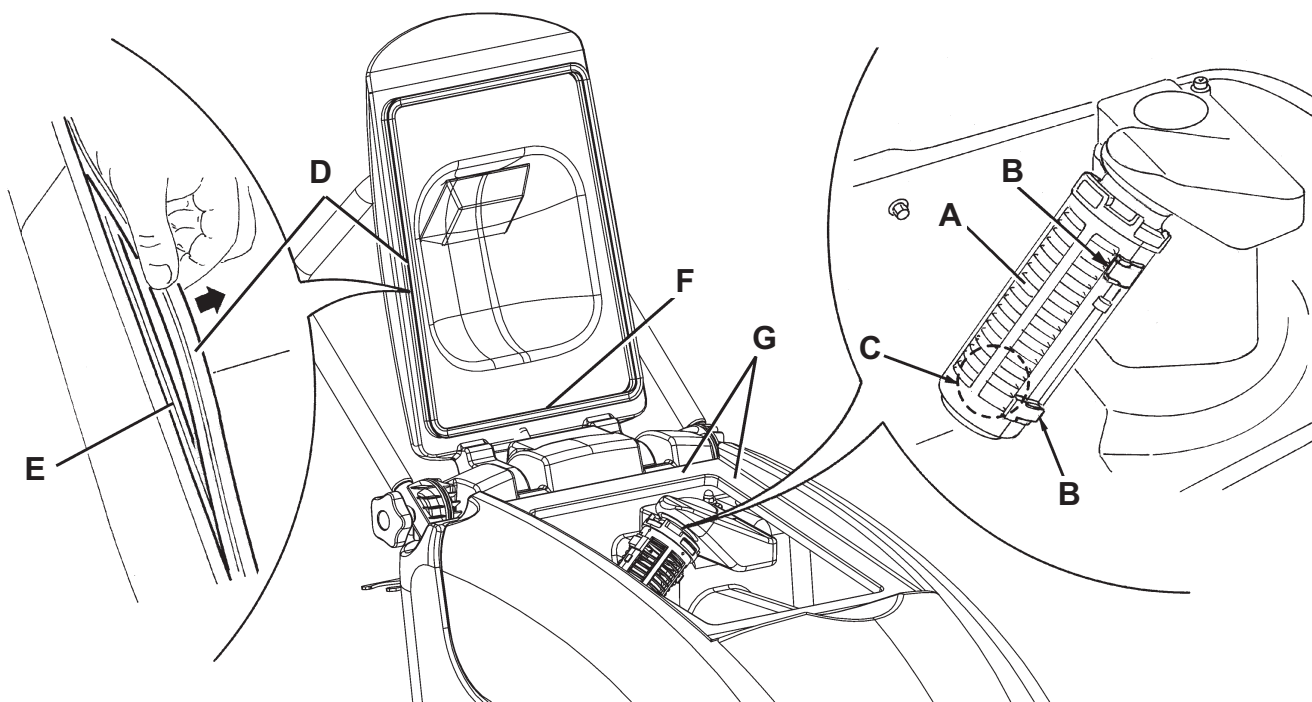


Figure 7

S310231B

NETTOYAGE DU FILTRE DE LA SOLUTION

1. Vider le réservoir de la solution (32), en procédant comme indiqué au paragraphe spécifique.
2. Porter la machine sur un sol plat.
3. Contrôler que les interrupteurs (65 et 66) sont en position "0".
4. Dévisser le couvercle transparent (A, Fig. 8) et déposer le filet filtrant (B), les nettoyer et les reposer sur le support (C).



REMARQUE

Positionner correctement le filet filtrant (B) dans le logement (D) du support (C).

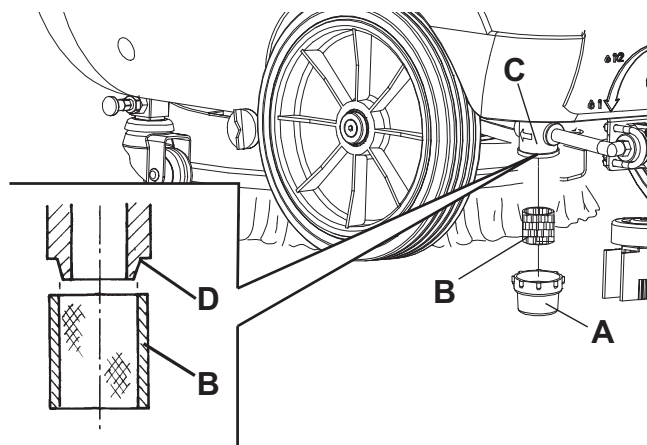


Figure 8

S310232A

REGLAGE DE LA VITESSE D'AVANCE DE LA MACHINE



REMARQUE

La vitesse d'avance de la machine peut varier en fonction du type de sol à nettoyer, ou de l'utilisation de la brosse ou du disque.

Effectuer le réglage en procédant comme suit.

1. Déposer le réservoir de l'eau de récupération comme indiqué au chapitre Utilisation.
2. Effectuer le réglage de la vitesse d'avance de la machine au moyen de la vis (53) en procédant comme suit :
 - desserrer la vis (57), sur le côté droit de la machine, en la tournant dans le sens contraire aux aiguilles d'une montre ;
 - tourner la vis de réglage (53) dans le sens contraire aux aiguilles d'une montre pour augmenter la vitesse d'avance de la machine ;
 - tourner la vis de réglage (53) dans le sens des aiguilles d'une montre pour réduire la vitesse d'avance de la machine ;
 - le réglage effectué, serrer la vis (57).
3. Reposer le réservoir de l'eau de récupération, comme indiqué au chapitre "Utilisation".
4. Avec la machine en état de fonctionnement, effectuer des essais pratiques de la machine et, le cas échéant, répéter les étapes de 1 à 4.

CHARGEMENT DES BATTERIES**REMARQUE**

Charger les batteries lorsque le témoin lumineux (63 ou 64) s'allume et à la fin de chaque cycle de nettoyage. Garder les batteries chargées afin de prolonger leur vie utile.

**AVERTISSEMENT !**

Lorsque les batteries sont déchargées, les recharger dès que possible, car cela réduirait leur durée de vie utile. Contrôler la charge des batteries au moins une fois par semaine.

**ATTENTION !**

Charger les batteries dans un endroit bien aéré et loin de flammes libres.

Ne pas fumer pendant le chargement des batteries.

Ne pas reposer le réservoir de l'eau de récupération pendant le cycle de rechargement des batteries.

1. Porter la machine sur un sol plat.
2. Pour charger les batteries, brancher le câble électrique (21) du chargeur de batterie au réseau électrique (la tension et la fréquence de réseau doivent correspondre aux valeurs du chargeur de batterie : voir le Manuel d'utilisation du chargeur de batterie).

**REMARQUE**

Lorsque le chargeur de batterie est branché au réseau, toutes les fonctions de la machine sont automatiquement exclues.

Si le témoin lumineux vert (27) clignote, il indique que le chargement des batteries est en cours.

3. Lorsque le témoin lumineux vert (27) s'allume fixe, le cycle de chargement des batteries est terminé.
4. Le cycle de chargement terminé, débrancher le câble électrique (21) du chargeur de batterie du réseau électrique et l'enrouler autour du logement correspondant sur la machine.
5. La machine est prête pour l'utilisation.
6. Saisir le réservoir de l'eau de récupération (A, Fig. 9) et le positionner dans la machine comme indiqué dans la figure. Connecter le tuyau d'aspiration (C) au réservoir, puis le baisser et le ramener à la position initiale.
7. Connecter le tuyau d'aspiration (22) à l'embouchure (11).
8. Fermer le couvercle (6).

**REMARQUE**

Pour de plus amples informations relatives au fonctionnement du chargeur de batterie (26), voir le Manuel d'utilisation du chargeur de batterie.

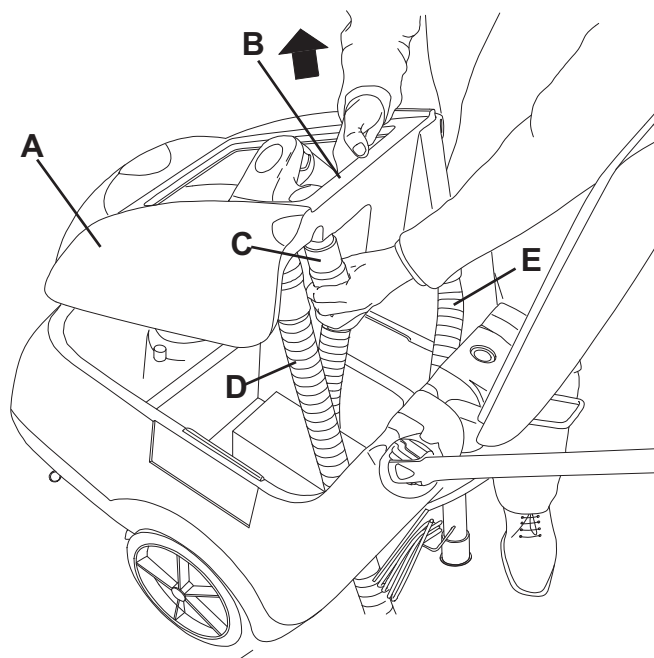


Figure 9

S310233A

CONTROLE / REMPLACEMENT DES FUSIBLES

1. Déposer le réservoir de l'eau de récupération comme indiqué au chapitre Utilisation.
2. Débrancher les bornes négatives des batteries (50).
3. Dévisser les vis (A, Fig. 10) et enlever le couvercle (B) du boîtier électrique.
4. Contrôler / remplacer les fusibles :
 - brosse (40 A) (C)
 - aspiration (40 A) (D)
 - électrovanne et carte électronique (5 A) (E).
5. Pour la repose, procéder dans l'ordre inverse de la dépose.

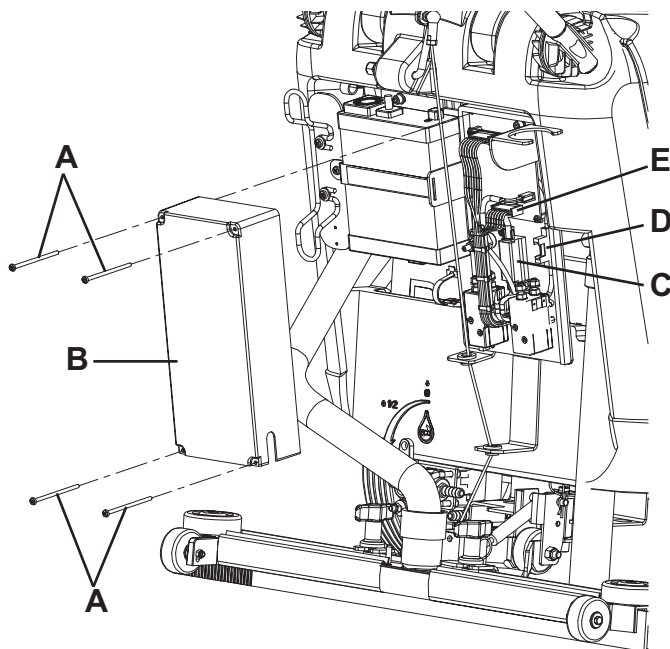


Figure 10

S310234A

DEPISTAGE DES PANNES

Problème	Cause possible	Remède
Allumage raté moteurs ; aucun témoin lumineux allumé	Bornes des batteries (50) débranchées	Brancher
	Batteries (50) complètement déchargées	Charger
Les témoins lumineux (62, 63, 64) clignotent simultanément	Surcharge du moteur de la brosse	Utiliser une brosse moins dure ou de type différent
	Présence de corps étrangers (fils entortillés, etc.) qui risquent de freiner la rotation de la brosse	Nettoyer le moyeu de la brosse
Allumage raté moteur d'aspiration	Fusible grillé	Remplacer
Aspiration d'eau sale insuffisante	Réservoir de l'eau de récupération (31) plein	Vider
	Grille d'aspiration (46) obstruée ou flotteur en position fermée	Nettoyer la grille et contrôler le flotteur
	Tuyau d'aspiration (22) déconnecté de l'embouchure (11) ou défectueux	Connecter
	Embouchure (11) sale ou lamelles en caoutchouc (13, 14) embouchure usées ou endommagées	Nettoyer l'embouchure ou remplacer les lamelles en caoutchouc
	Couvercle réservoir eau de récupération (6) pas bien fermé, ou joint (42) endommagé	Contrôler et / ou nettoyer la zone de contact ou remplacer le joint
	Réservoir eau de récupération (31) sale (orifice de sortie obstrué)	Nettoyer
Flux de solution à brosse / disque insuffisant	Filtre de solution (20) sale	Nettoyer
Traces laissées par l'embouchure	Débris sous les lamelles en caoutchouc de l'embouchure (13, 14)	Enlever les débris
	Lamelles en caoutchouc (13, 14) embouchure usées, ébréchées ou déchirées	Remplacer les lamelles en caoutchouc

Pour de plus amples informations, se référer au manuel d'entretien consultable auprès des Services après-vente Advance.

MISE A LA FERRAILLE

Effectuer la mise à la ferraille de la machine auprès d'un démolisseur autorisé.

Avant d'effectuer la mise à la ferraille de la machine il est nécessaire de déposer et séparer les éléments suivants et les envoyer aux collectes sélectives, conformément aux normes d'hygiène de l'environnement en vigueur :

- Batterie
- Brosses
- Tuyaux et pièces en matériel plastique
- Parties électriques et électroniques (*)

(*) Notamment pour la mise en décharge des parties électriques et électroniques, s'adresser auprès du centre Advance le plus proche.

ÍNDICE

INTRODUCCIÓN.....	2
FINALIDAD Y OBJETO DE ESTE MANUAL.....	2
DESTINATARIOS.....	2
CONSERVACIÓN DEL MANUAL.....	2
DATOS DE IDENTIFICACIÓN.....	2
OTROS MANUALES DE REFERENCIA.....	2
PIEZAS DE REPUESTO Y MANTENIMIENTO.....	2
MODIFICACIONES Y MEJORAS.....	2
CARACTERÍSTICAS DE FUNCIONAMIENTO.....	2
CONVENCIONES.....	2
DESEMBALAJE/ENTREGA.....	3
SEGURIDAD.....	3
SÍMBOLOS.....	3
INSTRUCCIONES GENERALES.....	3
DESCRIPCIÓN DE LA MÁQUINA.....	5
ESTRUCTURA DE LA MÁQUINA.....	5
PANEL DE CONTROL Y MANDOS.....	7
ACCESORIOS/OPCIONES.....	7
DATOS TÉCNICOS.....	8
ESQUEMA ELÉCTRICO.....	9
USO.....	10
CONTROL/PREPARACIÓN DE LA BATERÍA EN LA MÁQUINA NUEVA.....	10
AJUSTE, INSTALACIÓN Y CARGA DE LAS BATERÍA GEL.....	10
ANTES DE LA PUESTA EN MARCHA DE LA MÁQUINA.....	11
PUESTA EN MARCHA Y PARADA DE LA MÁQUINA.....	12
MÁQUINA EN FUNCIÓN (LAVADO/SECAMIENTO).....	13
TRANSPORTE/ESTACIONAMIENTO DE LA MÁQUINA.....	14
VACIADO DE LOS DEPÓSITOS.....	14
DESPUÉS DEL USO DE LA MÁQUINA.....	14
REMOCIÓN DEL DEPÓSITO DEL AGUA DE RECUPERACIÓN.....	15
PERIODO DE LARGA INACTIVIDAD DE LA MÁQUINA.....	15
PRIMER PERIODO DE USO.....	15
MANTENIMIENTO.....	16
ESQUEMA DE MANTENIMIENTO PROGRAMADO.....	16
LIMPIEZA DE LA BOQUILLA.....	17
CONTROL Y SUSTITUCIÓN DE LOS CAUCHOS DE LA BOQUILLA.....	17
LIMPIEZA DEL CEPILLO.....	18
LIMPIEZA DE LOS DEPÓSITOS Y REJILLA DE ASPIRACIÓN.....	18
LIMPIEZA DEL FILTRO DE LA SOLUCIÓN DETERGENTE.....	19
AJUSTE DE LA VELOCIDAD DE MARCHA DE LA MÁQUINA.....	19
CARGA DE LAS BATERÍAS.....	20
CONTROL/SUSTITUCIÓN DE LOS FUSIBLES.....	21
BÚSQUEDA AVERÍAS.....	22
ELIMINACIÓN.....	22

INTRODUCCIÓN



NOTA

Los números entre paréntesis se refieren a los componentes ilustrados en el capítulo Descripción de la máquina.

FINALIDAD Y OBJETO DE ESTE MANUAL

Este manual contiene todas las informaciones necesarias para que el cliente utilice la máquina de forma adecuada, autónoma y segura. Incluye informaciones técnicas, sobre el funcionamiento, el período de inactividad, el mantenimiento, las piezas de repuesto y la seguridad.

Antes de efectuar cualquier operación, los operadores y los técnicos encargados del mantenimiento de la máquina tienen que leer cuidadosamente las instrucciones incluidas en este manual. En caso de dudas sobre la correcta interpretación de las instrucciones, consulte un Centro de asistencia autorizado Advance para obtener explicaciones.

DESTINATARIOS

Este manual es para los operadores y los técnicos encargados del mantenimiento de la máquina.

Los operadores no deben efectuar procedimientos reservados a los técnicos calificados. El Fabricante no es responsable para los daños causados a la máquina por falta de observación de esta prohibición.

CONSERVACIÓN DEL MANUAL

Estas instrucciones de uso deben conservarse junto a la máquina, dentro de su contenedor, lejos de líquidos y otras sustancias que podrían dañarlo.

DATOS DE IDENTIFICACIÓN

El número de serie y el modelo de la máquina están marcados en la placa legible desde el exterior (1).

El año de fabricación de la máquina está indicado después del Código Fecha del número de serie (A08 significa Enero 2008).

Esta información es necesaria cuando se pidan piezas de repuesto para la máquina. Usar el espacio subyacente para escribir los datos de identificación de la máquina para todas referencias futuras.

Modelo MÁQUINA

Número de serie MÁQUINA

OTROS MANUALES DE REFERENCIA

- Manual del cargador de baterías electrónico (debe considerarse parte integrante de este manual)
- Catálogo piezas de repuestos (en dotación a la máquina).
- Manual de asistencia (que se puede consultar cerca de los Centros de asistencia Advance)

PIEZAS DE REPUESTO Y MANTENIMIENTO

Para cualquier necesidad que se refiere al uso, al mantenimiento y a las reparaciones (si son necesarias), consulte al personal calificado o a los Centros de asistencia Advance, además se recomienda usar sólo piezas de repuesto y accesorios originales.

Para la asistencia o para ordenar piezas de repuesto o accesorios, acudir a un Centro Advance, especificando siempre el modelo y el número de serie de la máquina.

MODIFICACIONES Y MEJORAS

Advance está constantemente mejorando sus productos y se reserva el derecho de realizar modificaciones y mejoras a su discreción, sin verse obligada a aplicar dichas ventajas a las máquinas vendidas previamente.

Sólo el Fabricante puede aprobar y efectuar cualquier modificación y/o instalación de accesorios.

CARACTERÍSTICAS DE FUNCIONAMIENTO

Las fregadoras/secadoras son adecuadas para limpiar (lavar y secar) suelos lisos y sólidos, en ambiente privado o industrial, en condiciones de seguridad, por parte de un operador calificado.

Las fregadoras/secadoras no son adecuadas para limpiar alfombras o moqueta.

CONVENCIONES

Las indicaciones de adelante, atrás, delantero, trasero, derecho e izquierdo en este manual se refieren al operador con las manos posicionadas sobre el manillar (2).

DESEMBALAJE/ENTREGA

Para desembalar la máquina seguir cuidadosamente las instrucciones colocadas sobre el embalaje.

Al momento de la entrega, controlar atentamente el embalaje y la máquina por si hayan sufrido daños durante el transporte. Si los daños son evidentes, conservar el embalaje, de forma que el transportista que lo ha entregado lo pueda inspeccionar. Contactarlo de inmediato para compilar una indemnización daños y perjuicios.

Controlar que la máquina sea entregada junto a los siguientes componentes:

- Documentación técnica:
 - Manual de uso de la fregadora/secadora
 - Manual del cargador de baterías electrónico
 - Catálogo piezas de repuestos de la fregadora/secadora
- N° 1 fusible laminar de 40 A
- N° 4 abrazaderas
- N° 4 cubrebornes de la batería

SEGURIDAD

La siguiente simbología sirve para señalar situaciones de peligro potencial. Leer siempre cuidadosamente estas informaciones y tomar las precauciones necesarias para proteger personas y cosas.

Para evitar desgracias, la cooperación del operador es fundamental. Ningún programa de prevención de accidentes resulta eficaz sin la total cooperación de la persona directamente responsable del funcionamiento de la máquina. La mayoría de los accidentes que pueden ocurrir en una empresa, durante el trabajo o los traslados, son causados por no observar las reglas de seguridad fundamentales. Un operador cuidadoso y cauto es la mejor garantía para evitar posibles accidentes y resulta más eficaz que cualquier programa de prevención.

SÍMBOLOS



¡PELIGRO!

Indica un peligro con riesgo, incluso mortal, para el operador.



¡ATENCIÓN!

Indica el riesgo potencial de infortunios para las personas.



¡ADVERTENCIA!

Indica una advertencia o una nota sobre una función importante o útil.

Tener cuidado de las partes del texto marcadas con este símbolo.



NOTA

Indica una nota sobre una función importante o útil.



CONSULTAS

Indica la necesidad de consultar las Instrucciones de uso antes de efectuar cualquier operación.

INSTRUCCIONES GENERALES

Se describen aquí las advertencias y precauciones específicas por lo que se refiere a los potenciales riesgos de daños a la máquina o a las personas.



¡PELIGRO!

- **Antes de efectuar cualquier operación de limpieza, mantenimiento o sustitución de piezas llevar los interruptores generales de la máquina en posición "0" y, si necesario, desconectar la batería.**
- **Sólo los operadores cualificados pueden usar esta máquina. Los niños y los minusválidos no pueden usar esta máquina.**
- **Quitarse las joyas cuando se trabaja cerca de los componentes eléctricos.**
- **No activar la máquina en un ambiente donde haya polvo, líquidos o vapores nocivos, peligrosos, inflamables y/o explosivos. No usar la máquina para recoger materiales peligrosos.**
- **Quitar el depósito del agua de recuperación durante las operaciones de carga de las baterías y efectuar la carga solo en áreas muy bien ventiladas y lejos de llamas libres.**

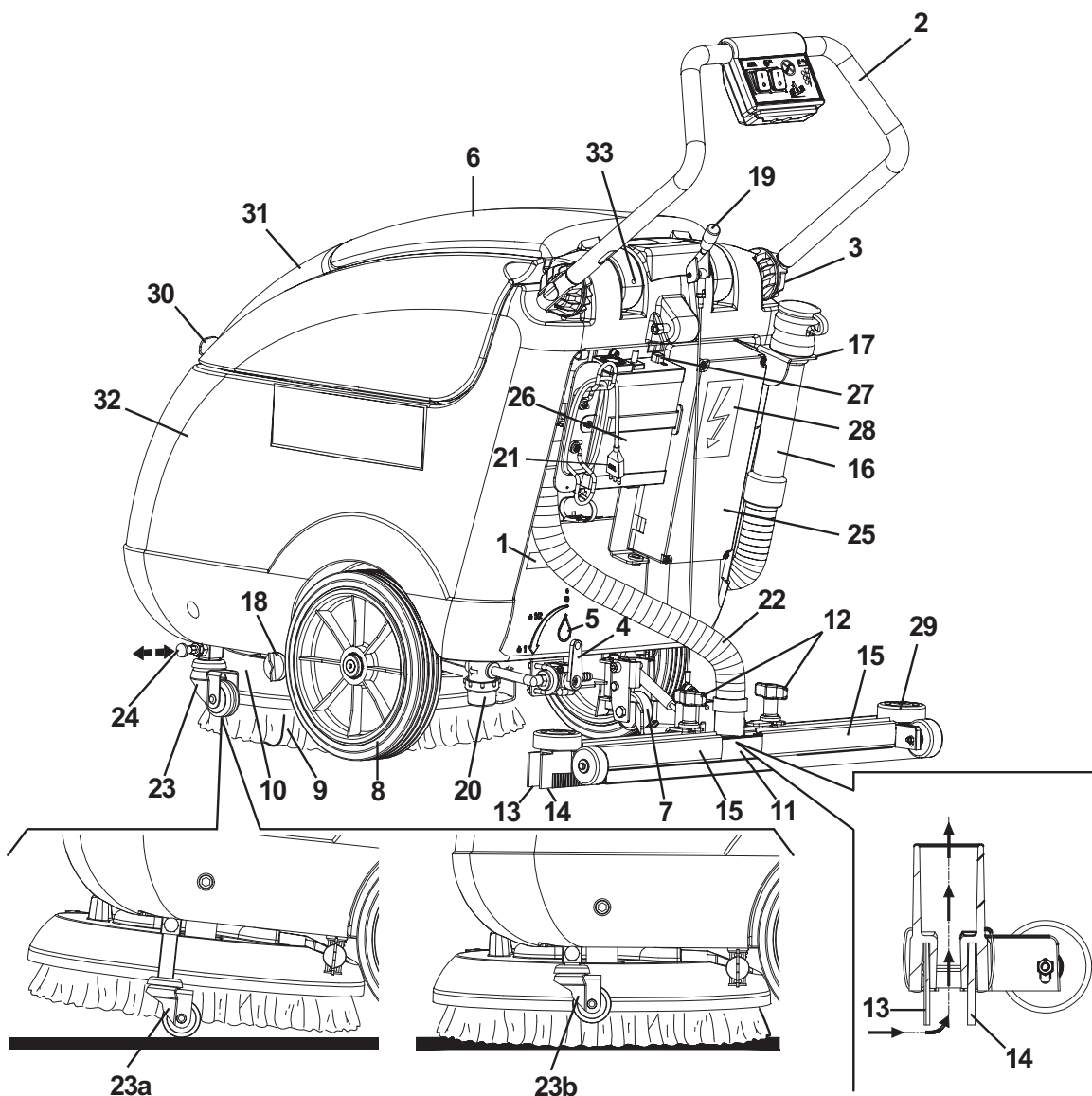
**¡ATENCIÓN!**

- *Antes de usar el cargador de baterías, asegurarse de que la frecuencia y la tensión indicadas en la placa del número de serie de la máquina coincidan con la tensión de la red.*
- *No tirar o transportar la máquina por el cable del cargador de baterías; no usar el cable como empuñadura. No cerrar el cable del cargador de baterías en una puerta o tirarlo sobre bordes o ángulos afilados. No atropellar el cable del cargador de baterías con la máquina. Tener el cable del cargador de baterías lejos de superficies calientes.*
- *Si el cable o el enchufe del cargador de baterías están dañados, no cargar las baterías de la máquina. Si la máquina no funciona correctamente, está dañada, quedada al exterior o bañada, llevarla a un Centro de asistencia.*
- *Para reducir el riesgo de incendio, electrochoque o lesiones, no dejar la máquina conectada a la red eléctrica cuando está sin custodia. Antes de efectuar las operaciones de mantenimiento, desconectar el cable del cargador de baterías de la red eléctrica.*
- *No fumar cuando se cargan las baterías.*
- *No dejar la máquina sin custodia y sin haberse asegurado que no pueda moverse de forma autónoma.*
- *Proteger siempre la máquina del sol, lluvia y otras intemperie, tanto durante el funcionamiento como durante los períodos de inactividad. Almacenar la máquina en un lugar cerrado y seco. Esta máquina sólo se puede usar en seco y no se debe usar o tener al exterior en condiciones de humedad.*
- *Antes de usar la máquina, cerrar todas las portillos y/o las tapas.*
- *No permitir que la máquina se utilice como un juguete. Tener mucho cuidado cuando se usa cerca de niños.*
- *No usar con finalidades diferentes de aquellas indicadas en este manual. Usar sólo accesorios recomendados por Advance.*
- *Tomar todas las precauciones necesarias para que el pelo, las joyas y las ropas no sean capturados por las partes móviles de la máquina.*
- *No dejar la máquina sin custodia y sin haberse asegurado que la máquina no pueda moverse de forma autónoma.*
- *No usar la máquina sobre suelos con inclinaciones superiores a las especificaciones.*
- *Cuando se usa esta máquina, tener cuidado de salvaguardar la incolumidad de las personas y las cosas.*
- *No chocar contra estanterías o andamios de los que puedan caer objetos.*
- *No apoyar contenedores de líquidos sobre la máquina.*
- *La temperatura de la máquina en trabajo debe estar entre los 0°C y los +40°C.*
- *La temperatura de almacenamiento de la máquina debe estar entre los 0°C y los +40°C.*
- *La humedad debe estar entre el 30% y el 95%.*
- *No usar la máquina como vehículo de transporte.*
- *No usar la máquina sobre suelos con inclinaciones superiores a las especificaciones.*
- *No permitir que los cepillos funcionen mientras la máquina está parada en un punto para evitar posibles daños al suelo.*
- *En caso de incendio usar un extintor de polvo, no de agua.*
- *No adulterar por ninguna razón las protecciones previstas para la máquina, respetar escrupulosamente las instrucciones previstas para el mantenimiento ordinario.*
- *No dejar que material extraño entre en las aperturas. No usar la máquina si las aperturas están obstruidas. Las aperturas deben mantenerse libre de polvo, hilacha, pelos y cualquier otro cuerpo extraño que pueda reducir el flujo de aire.*
- *No quitar ni modificar las placas colocadas en la máquina.*
- *Esta máquina no tiene aprobación para el uso en carreteras o vías públicas.*
- *Tener cuidado durante el traslado de la máquina en condiciones de temperatura muy baja. El agua en el depósito del agua de recuperación o en los tubos, podría congelarse y dañar la máquina.*
- *Usar sólo los cepillos y los fieltros suministrados con la máquina y aquellos especificados en las Instrucciones de uso. Usar otros cepillos o fieltros puede perjudicar la seguridad.*
- *Cuando la máquina no funciona correctamente, asegurarse de que esto no sea causado por falta de mantenimiento. En caso contrario, pedir la intervención del personal autorizado o del Centro de asistencia autorizado.*
- *Si deben sustituirse piezas, solicitar piezas de repuesto ORIGINALES a un concesionario y/o revendedor autorizado.*
- *Para asegurar condiciones de funcionamiento correcto y seguro, el personal autorizado o el Centro de asistencia autorizado debe llevar a cabo el mantenimiento programado según las especificaciones indicadas en el capítulo relacionado de este manual.*
- *Antes de efectuar cualquier operación de mantenimiento/repación, leer cuidadosamente todas las instrucciones relacionadas.*
- *No lavar la máquina con chorros de agua directa o presurizada, o con sustancias corrosivas.*
- *Nunca se debe abandonar la máquina al final del ciclo vital, por la presencia de materiales tóxicos y dañinos (baterías, etc.) sujetos a normativas que exigen que se realice la eliminación cerca de centros especiales (véase el capítulo Eliminación).*

DESCRIPCIÓN DE LA MÁQUINA

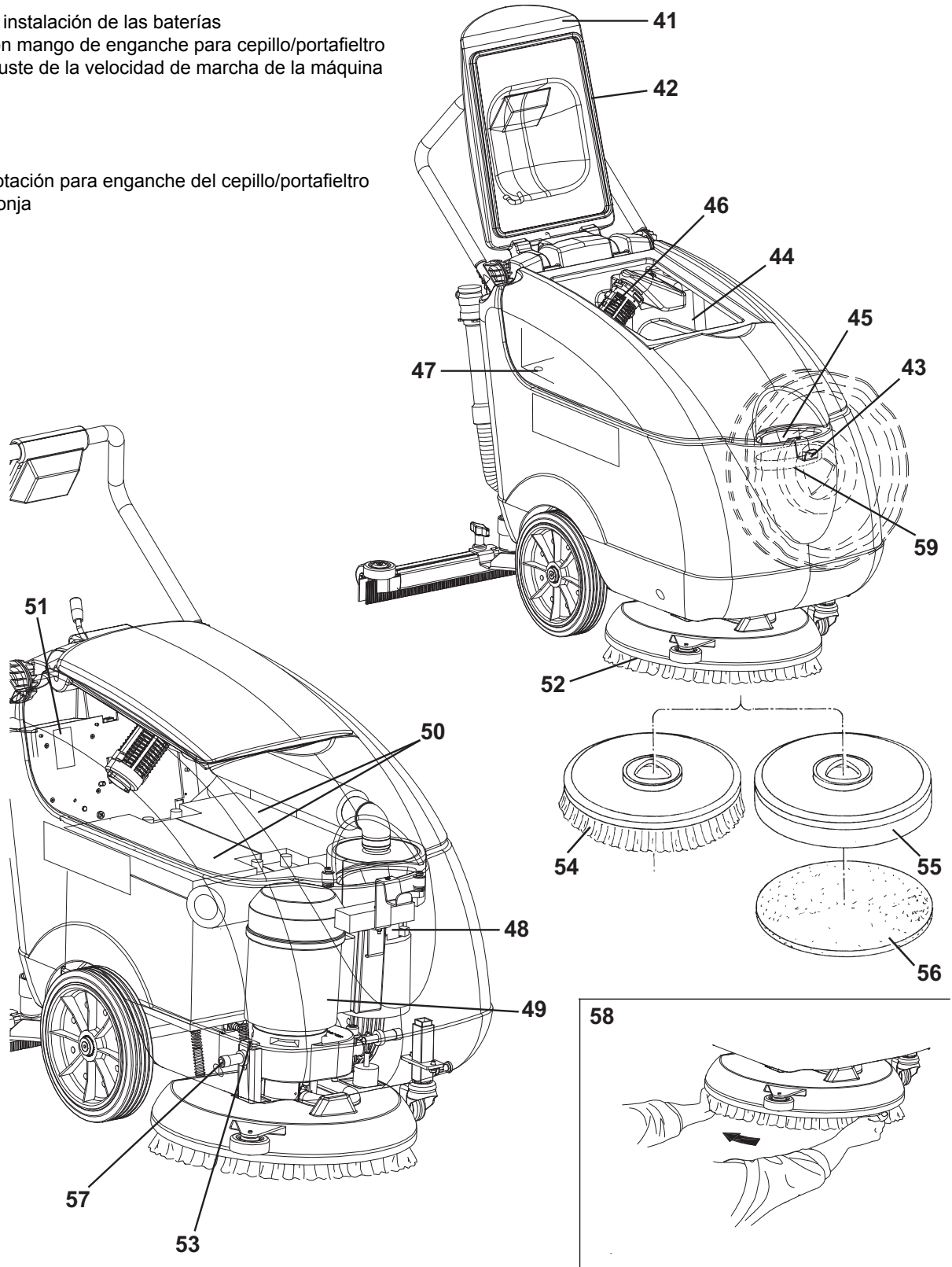
ESTRUCTURA DE LA MÁQUINA

- | | |
|--|--|
| 1. Placa número de serie/datos técnicos | 18. Válvula de descarga del detergente |
| 2. Manillar | 19. Palanca de subida/bajada de la boquilla |
| 3. Empuñadura de ajuste de la inclinación del manillar | 20. Filtro de la solución detergente |
| 4. Palanca de ajuste del flujo del detergente | 21. Cable eléctrico de conexión del cargador de baterías a la red eléctrica |
| 5. Posición Smart solutions de la palanca de ajuste del flujo de la solución detergente (uso "económico" del agua, para una autonomía de lavado programada de 70-80 minutos) | 22. Tubo de aspiración de la boquilla |
| 6. Tapa del depósito del agua de recuperación | 23. Dispositivo de transporte/estacionamiento |
| 7. Rueda trasera para apoyo en fase de transporte/estacionamiento | 23a. Dispositivo de transporte/estacionamiento activado |
| 8. Ruedas centrales en eje fijo | 23b. Dispositivo de transporte/estacionamiento desactivado |
| 9. Cepillo/fieltro | 24. Clavija de posicionamiento del dispositivo de transporte/estacionamiento |
| 10. Cobertura cepillo/fieltro | 25. Caja componentes eléctricos |
| 11. Boquilla | 26. Cargador de baterías |
| 12. Empuñaduras de fijación de la boquilla | 27. Luces de aviso del cargador de baterías |
| 13. Caucho delantero de la boquilla | 28. Adhesivo peligro |
| 14. Caucho trasero de la boquilla | 29. Ruedas paragolpes de la boquilla |
| 15. Resortes de fijación de los cauchos de la boquilla | 30. Soporte del cepillo/fieltro |
| 16. Tubo de descarga del agua de recuperación | 31. Depósito del agua de recuperación |
| 17. Soporte del tubo de descarga del agua de recuperación | 32. Depósito del detergente |
| | 33. Orificio de compensación |



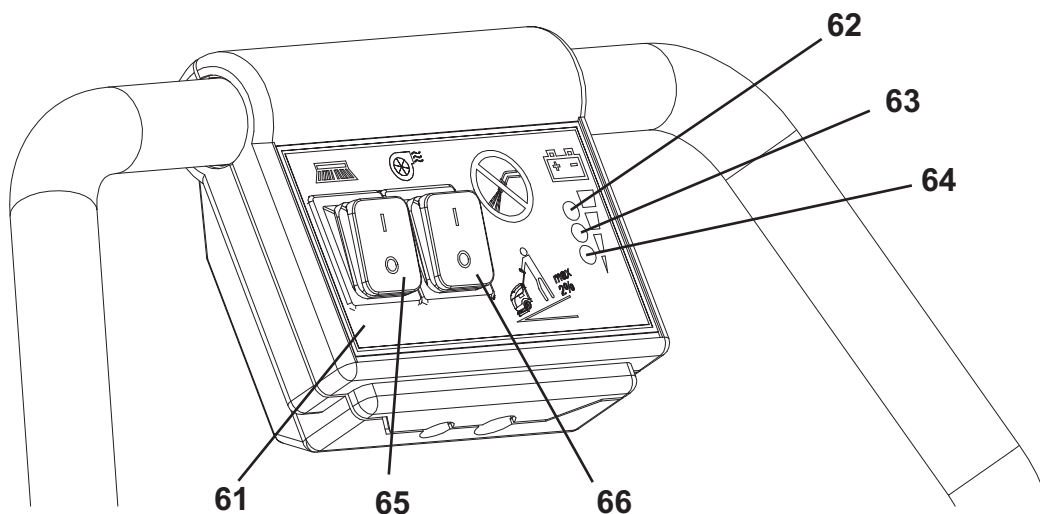
ESTRUCTURA DE LA MÁQUINA (Sigue)

- 41. Tapa del depósito del agua de recuperación (abierto)
- 42. Guarnición de la tapa del depósito del agua de recuperación
43. Soporte del cepillo/filtro
- 44. Compartimiento del depósito del agua de recuperación
- 45. Boca de llenado del depósito de la solución detergente
- 46. Rejilla de aspiración con cierre automático de flotador
- 47. Orificio de drenaje del agua de recuperación
- 48. Motor del sistema de aspiración
- 49. Motor cepillo/filtro
- 50. Baterías
- 51. Esquema de instalación de las baterías
- 52. Cobertura con mango de enganche para cepillo/portafiltro
- 53. Tornillo de ajuste de la velocidad de marcha de la máquina
- 54. Cepillo
- 55. Portafiltro
- 56. Filtro
- 57. Tornillo
- 58. Sentido de rotación para enganche del cepillo/portafiltro
- 59. Filtro de esponja



PANEL DE CONTROL Y MANDOS

61. Panel de control y mandos
62. Luz de aviso batería cargada (verde)
63. Luz de aviso batería casi descargada (amarillo)
64. Luz de aviso batería descargada (rojo)
65. Interruptor cepillo/filtro
66. Interruptor de aspiración



S310227

ACCESORIOS/OPCIONES

Además de los componentes instalados en la versión estándar, la máquina puede equiparse con los siguientes accesorios/ opciones, según el uso específico:

- Cepillos/filtros de diferentes materiales
- Boquilla curva

Para informaciones suplementarias sobre estos accesorios opcionales, acudir al Revendedor autorizado.

DATOS TÉCNICOS

Generales	Valores
Largura de la máquina	997 mm (39,2 in)
Anchura de la máquina con boquilla	720 mm (28,3 in)
Anchura de la máquina sin boquilla	570 mm (22,4 in)
Altura mínima/máxima de la máquina con manillar ajustable	730 - 836 mm (28,7 - 32,9 in)
Peso total de la máquina	63 kg (138,6 lbs)
Radio mínimo de viraje	750 mm (29,5 in)
Anchura de barrido	430 mm (16,9 in)
Dimensiones compartimiento baterías	350x350x260 mm (13,7x13,7x10,2 in)
Diámetro ruedas centrales en eje fijo	250 mm (9,8 in)
Diámetro cepillo/filtro	430 - 432 mm (16,9 - 17 in)
Presión ruedas traseras sobre el suelo	1,0 N/mm ² (145 psi)
Presión rueda delantera sobre el suelo	1,9 N/mm ² (275,5 psi)
Presión cepillo/filtro sobre el suelo	23 kg (50,6 lbs)

Prestaciones	Valores
Aspiración	1.055 mmH ₂ O (41,5 inH ₂ O)
Velocidad motor cepillo/filtro	135 rpm
Presión sonora a la oreja del operador (ISO 11201, ISO 4871) (LpA)	65 dB(A) ± 3 dB(A)
Potencia sonora de la máquina (ISO 3744, ISO 4871) (LwA)	89 dB(A)
Nivel de vibraciones transmitidas a los brazos del operador (ISO 5349-1)	< 2,5 m/s ²
Potencia motor sistema de aspiración	0,4 HP (300 W)
Potencia motor cepillo/filtro	0,7 HP (520 W)
Inclinación máxima de trabajo	2%
Tensión baterías	24 V
Baterías estándares	12 V, 87 Ah (GEL)
Capacidad depósito agua limpia	23 litros (6,0 gal)
Capacidad depósito agua sucia	21 litros (5,5 gal)

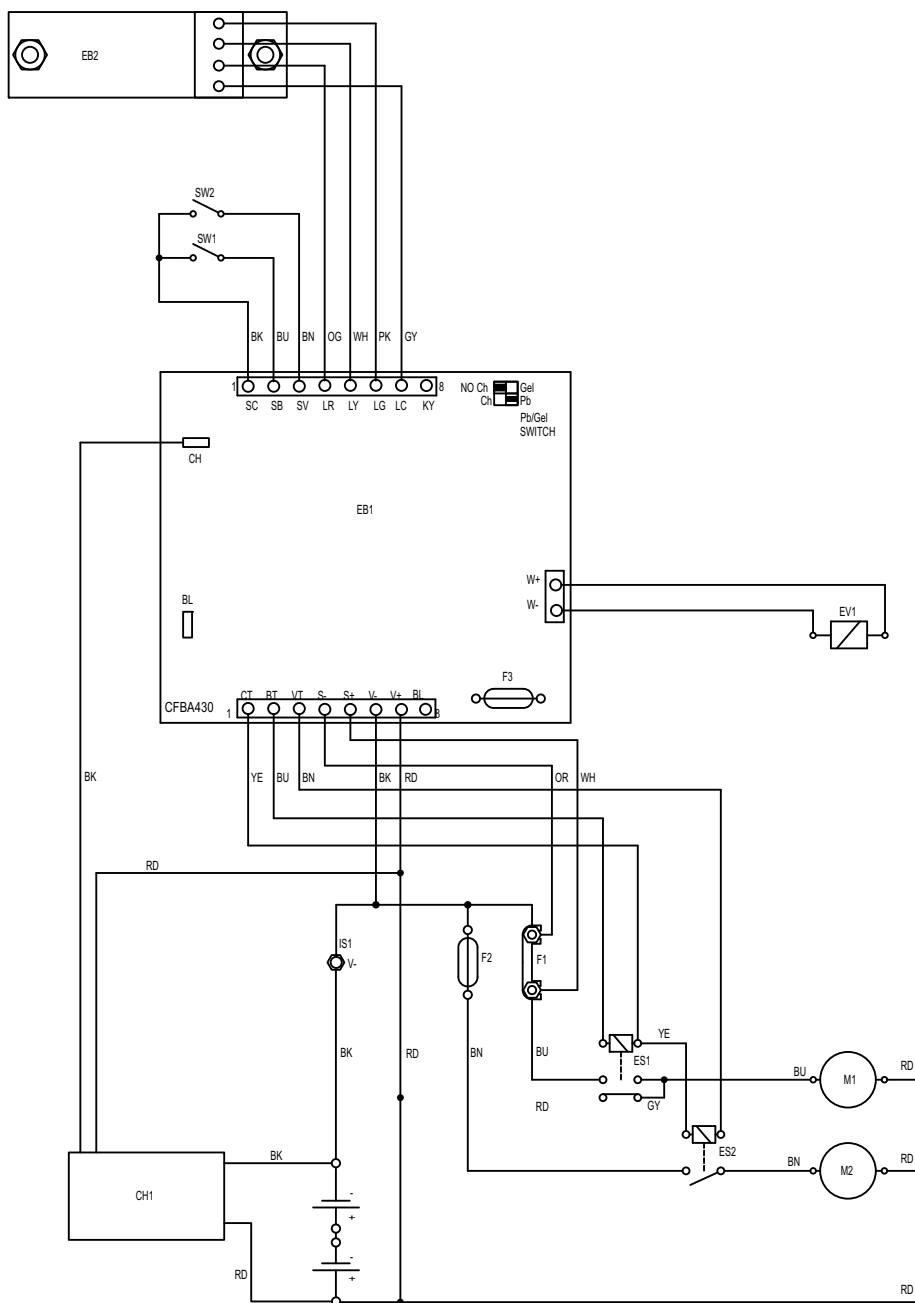
ESQUEMA ELÉCTRICO

Leyenda

CH1	Cargador de baterías
C1	Conector del cargador de baterías
EB1	Tarjeta electrónica (CF BA430)
EB2	Led tarjeta electrónica (CF BALED)
ES1	Interruptor cepillo/fieltro
ES2	Interruptor de aspiración
EV1	Electroválvula agua
F1	Fusible cepillo (40 A)
F2	Fusible sistema de aspiración (40 A)
F3	Fusible electroválvula y tarjeta electrónica (5 A)
IS1	Aislador negativo
M1	Motor cepillo/fieltro
M2	Motor del sistema de aspiración
SW1	Interruptor cepillo/fieltro
SW2	Interruptor de aspiración

Códigos colores

BK	Negro
BU	Azul
BN	Marrón
GN	Verde
GY	Gris
OG	Anaranjado
PK	Rosado
RD	Rojo
VT	Morado
WH	Blanco
YE	Amarillo



USO



¡ATENCIÓN!

En unas partes de la máquina hay unas placas adhesivas que indican:

- PELIGRO
- ATENCIÓN
- ADVERTENCIA
- CONSULTAS

Leyendo este manual, el Operador tiene que aprender el sentido de los símbolos indicados en las placas.

Por ninguna razón estas placas deben cubrirse y si están dañadas tienen que sustituirse de inmediato.

CONTROL/PREPARACIÓN DE LA BATERÍA EN LA MÁQUINA NUEVA



¡ATENCIÓN!

Si no se instalan correctamente las baterías, los componentes eléctricos de la máquina podrían dañarse. Sólo el personal calificado puede efectuar la instalación de las baterías. Antes de la instalación, controlar si las baterías están dañadas. Desplazar las baterías con mucho cuidado. Instalar las tapas de protección de los terminales de las baterías, suministrados con la máquina.

La máquina necesita dos baterías de 12V, conectadas según el esquema (51).

La máquina puede ser entregada con las siguientes configuraciones:

Baterías de GEL instaladas, listas para ser usadas

- Poner en marcha la máquina pulsando los interruptores del cepillo/portafiltro y del sistema de aspiración (65 y 66). Si el indicador luminoso verde (62) se enciende, las baterías están cargadas y pueden usarse.
- Si se encienden las luces de aviso amarilla o roja (63 o 64) es necesario cargar las baterías antes de usar la máquina (véase el capítulo Mantenimiento).

Sin baterías

- Comprar unas baterías adecuadas [véase el párrafo Datos técnicos y el esquema (51)]. Para escoger e instalar las baterías, acudir a un Revendedor calificado.
- Ajustar e instalar las baterías (GEL) en la máquina nueva y cargarlas, como indicado en el párrafo siguiente.

AJUSTE, INSTALACIÓN Y CARGA DE LAS BATERÍA GEL

Según el tipo de baterías instaladas (GEL) efectuar el ajuste de la tarjeta electrónica de la máquina según el procedimiento siguiente.

Ajuste de la máquina

1. La regulación en fabrica de la máquina es para baterías de GEL; si esta regulación corresponde al tipo de batería comprado, pasar al paso 4. En caso contrario, llevar a cabo también los pasos 2 y 3.
2. Quitar los tornillos (A, Fig. 1), luego quitar con cuidado la tapa (B) de la caja de los componentes eléctricos.



¡ATENCIÓN!

No tocar/desplazar el interruptor adyacente (D).

3. Instalar la tapa (B) de la caja de los componentes eléctricos y apertar los tonillos (A).

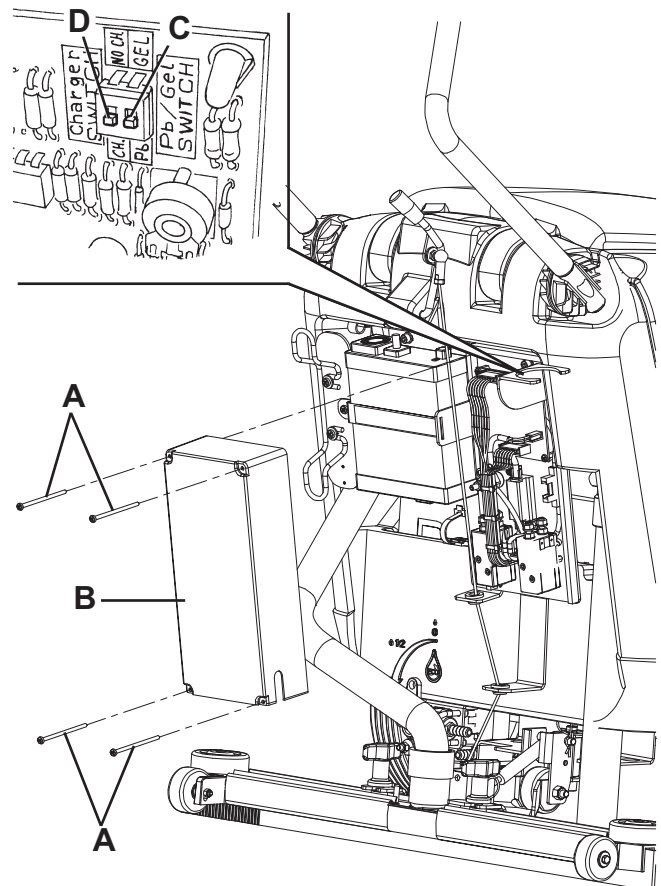


Figura 1

S310234B

Instalación de las baterías

4. Desconectar el tubo de aspiración (22) de la boquilla (11).
5. Desconectar el tubo de descarga del agua de recuperación (16) del soporte (17).
6. Abrir la tapa (6).
7. Empuñar el depósito del agua de recuperación (A, Fig. 2) en el área (B) y levantarlo ligeramente.
8. Desconectar el tubo de aspiración (C) del depósito, luego quitar el depósito (A) con los tubos (D) y (E).
9. Instalar las baterías en la máquina según el esquema (28).
10. Remontar el depósito (A, Fig. 2) llevando a cabo los puntos de 6 a 10 según el orden contrario.

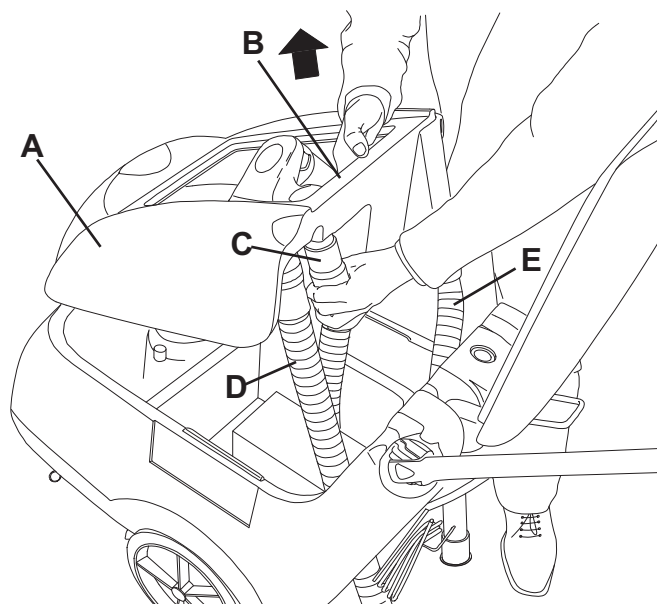


Figura 2

S310233 A

Carga de las baterías

11. Cargar las baterías (véase el párrafo Mantenimiento).

ANTES DE LA PUESTA EN MARCHA DE LA MÁQUINA

Instalación del cepillo o del portafiltro



NOTA

Según el tipo de suelo, es posible instalar el cepillo (54) o el portafiltro (55).

1. Desactivar el dispositivo de transporte/estacionamiento (23b) de la máquina después de haber activado la clavija de posicionamiento (24).
2. Levantar el cabezal portacepillos/portafiltros (10) presionando sobre el manillar (2).
3. Colocar el cepillo (14) o el portafiltro (15) bajo del cabezal.
4. Bajar la cobertura (10) mediante el manillar (2).
5. Pulsar durante unos segundos el interruptor del cepillo/portafiltro (65) para que el cepillo/portafiltro se enganche. Si es difícil enganchar, girar manualmente el cepillo/portafiltro en sentido antihorario (58).

Guía para la aplicación de los cepillos/filtros (sólo sugerencias)

Tipos de cepillos disponibles		Midlite Grit 180	Midgrit 240	Prolite	Union Mix
Limpieza general	Hormigón				
	Suelo terraza				
	Baldosas de cerámica/de cantera				
	Mármol				
	Baldosas de vinilo				
	Baldosas de caucho				
Lustrado	Baldosas de caucho				
	Mármol				
	Baldosas de vinilo				

Instalación de la boquilla

6. Instalar la boquilla (11) y fijarla con las empuñaduras (12), luego conectar el tubo de aspiración (22) a la boquilla.

Llenado del depósito de la solución detergente

7. Usando el tapón de llenado (45) rellenar el depósito (32) con una solución detergente adecuada. No llenar completamente el depósito del detergente, dejar unos centímetros del borde. Seguir las instrucciones indicadas en la etiqueta para la dilución del producto químico usado para componer la solución detergente. La temperatura de la solución detergente no debe superar los 40°C.



¡ADVERTENCIA!

Usar exclusivamente detergentes líquidos poco espumosos y no inflamables, que sean adecuados para este tipo de máquina.

Ajustes

8. Ajustar el manillar (2) mediante la perilla (3) en la posición más confortable para el operador.

PUESTA EN MARCHA Y PARADA DE LA MÁQUINA

Puesta en marcha de la máquina

1. Preparar la máquina como indicado en el párrafo precedente.
2. Bajar la boquilla (11) con la palanca (19).
3. Colocar la palanca de ajuste de flujo de la solución detergente (4) en una de las siguientes posiciones posibles, según el tipo de lavado de efectuar:
 - Smart solutions: llevando la palanca (4) en la posición Smart solutions (5), la máquina trabaja en una condición de uso programado del agua; en efecto con un flujo predeterminado y constante, la máquina puede trabajar con una autonomía de lavado de 70-80 minutos (0,3 litros/min en término medio).
 - sistema variable: girando la palanca a la izquierda (flujo variable), es posible aumentar la capacidad hasta un máximo de 1 litros/min.
 - En ningún caso es posible cerrar por completo el flujo de agua a los cepillos, durante el trabajo.
4. Teniendo una mano sobre el manillar (2), poner en marcha la máquina llevando los interruptores del cepillo/portafiltro y del sistema de aspiración (65 y 66) en posición "1".



NOTA

Si el indicador luminoso verde (62) se enciende, la máquina se puede usar. Si se enciende la luz de aviso amarilla o roja (63 o 64) es necesario cargar las baterías (véase el capítulo Mantenimiento).

Parada de la máquina

5. Llevar los interruptores del cepillo/portafiltro y del sistema de aspiración (65 y 66) en posición "0".
6. Levantar la boquilla con la palanca (19).
7. Desactivar el dispositivo de transporte/estacionamiento (23a) de la máquina después de haber activado la clavija de posicionamiento (24).

MÁQUINA EN FUNCIÓN (LAVADO/SECAMIENTO)

1. Poner en marcha la máquina como indicado en el párrafo precedente.
2. Teniendo ambas las manos sobre el manillar (2), maniobrar la máquina y empezar el trabajo de lavado/secamiento del suelo.
3. Si necesario, cambiar la cantidad de la solución detergente mediante la palanca (4).



¡ADVERTENCIA!

Para evitar que el suelo se dañe, no usar los cepillos en seco y cuando la máquina se queda parada en un punto, parar la rotación del cepillo/fieltro mediante el interruptor (65).



¡ADVERTENCIA!

Antes de levantar el cepillo/fieltro, parar su rotación mediante el interruptor (65).



NOTA

Para un correcto lavado/secamiento de los suelos en los bordes de las paredes, Advance sugiere acercarse con el lado derecho de la máquina como indicado en la figura 3.

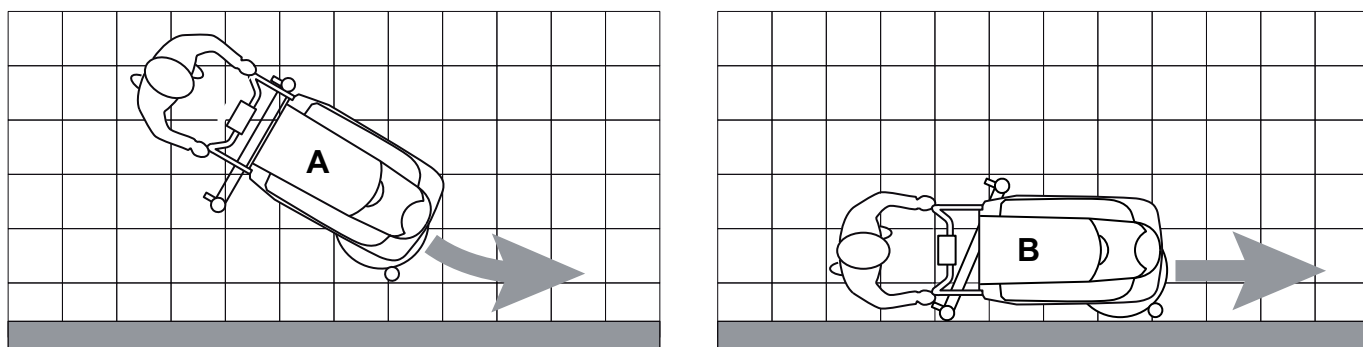


Figura 3

P100160



¡ADVERTENCIA!

En caso de sobrecarga del motor del cepillo/portafieltro, por causa de cuerpos extraños que obstaculizan el movimiento, o de suelos/cepillos demasiados agresivos, un sistema de seguridad bloquea el cepillo/portafieltro después de un minuto de sobrecarga continua.

La condición de sobrecarga se visualiza mediante el parpadeo simultáneo de tres indicadores luminosos (62, 63, 64).

Para empezar de nuevo el trabajo tras la parada del cepillo/portafieltro por causa de la sobrecarga, es necesario apagar la máquina llevando los interruptores del cepillo/portafieltro y del sistema de aspiración (65 y 66) en posición "0". Poner en marcha la máquina llevando los interruptores del cepillo/portafieltro y del sistema de aspiración (65 y 66) en posición "I".

Descarga de las baterías durante el trabajo

4. Hasta que el indicador luminoso verde (62) se queda encendido, las baterías permiten el funcionamiento normal de la máquina. Cuando la luz de aviso verde (62) se apaga y se encienden en secuencia las luces de aviso amarilla (63) y roja (64), es necesario cargar la batería, porque la autonomía residual de funcionamiento de la máquina es mínima.



¡ADVERTENCIA!

Si se insiste en usar la máquina con las baterías descargadas, las baterías se pueden dañar y su vida útil se acorta.

Ajuste de la velocidad de marcha de la máquina

5. La velocidad de marcha de la máquina cambia según el tipo de suelo y según el uso del cepillo o del fieltro. Si necesario, es posible ajustar la velocidad de marcha mediante el procedimiento indicado en el capítulo Mantenimiento.

TRANSPORTE/ESTACIONAMIENTO DE LA MÁQUINA

Para el transporte/estacionamiento de la máquina, efectuar los procedimientos siguientes.

1. Llevar los interruptores del cepillo/portafiltro y del sistema de aspiración (65 y 66) en posición "0".
2. Levantar la boquilla con la palanca (19).
3. Empuñar el manillar (2) y bajarlo ligeramente hasta llevar la rueda trasera (7) en contacto con el suelo (Fig. 4). Manteniendo la máquina en esta condición, empujarla en un lugar adecuado para el transporte/estacionamiento.
4. Después del trabajo, para que el cepillo/filtro no arrastre contra el suelo bañándolo, se aconseja quitarlo del cabezal mediante el dispositivo de desenganche (para el procedimiento, véase el párrafo Después del uso de la máquina), luego apoyarlo al soporte (43).

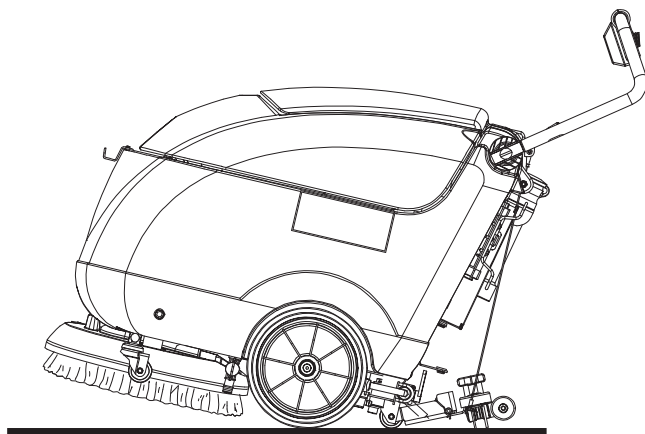


Figura 4

S310229A

VACIADO DE LOS DEPÓSITOS

Un sistema de cierre automático de flotador (46) bloquea el sistema de aspiración cuando el depósito del agua de recuperación (31) está lleno.

El bloqueo del sistema de aspiración, causado por el llenado del depósito del agua de recuperación, está indicado por un aumento de los ruidos del motor del sistema de aspiración, además el suelo no se seca.



¡ADVERTENCIA!

Si el sistema de aspiración se apaga de forma accidental (por ejemplo por la intervención prematura del flotador durante un desplazamiento imprevisto de la máquina), para reactivarlo apagarlo pulsando el interruptor (66), luego abrir la tapa (6) y asegurarse de que el flotador al interior de la rejilla (46) haya bajado hasta el nivel del agua; por último cerrar la tapa (6) y reactivar el sistema de aspiración pulsando el interruptor (66).

Cuando el depósito del agua de recuperación (31) está lleno, vaciarlo según el procedimiento siguiente.

Vaciado del depósito del agua de recuperación

1. Poner en marcha la máquina pulsando los interruptores del cepillo/portafiltro y del sistema de aspiración (65 y 66).
2. Levantar la boquilla con la palanca (19).
3. Llevar la máquina en el área de eliminación designada.
4. Desactivar el dispositivo de transporte/estacionamiento (23a) de la máquina después de haber activado la clavija de posicionamiento (24).
5. Vaciar el depósito del agua de recuperación mediante el tubo (16). En caso de trabajo acabado, enjuagar el depósito con agua limpia.

Vaciado del depósito de la solución detergente

6. Llevar a cabo los pasos de 1 a 4.
7. Vaciar el depósito de la solución detergente mediante la válvula de descarga (18). En caso de trabajo acabado, enjuagar el depósito con agua limpia.

DESPUÉS DEL USO DE LA MÁQUINA

Al final del trabajo, antes de alejarse de la máquina:

1. Desenganchar el cepillo/portafiltro como sigue:
 - Con el cepillo/filtro levantado, llevar el interruptor del cepillo/portafiltro (65) en posición "1" y después de unos segundos llevarlo de nuevo en posición "0" causando el desenganche del cepillo/portafiltro.
2. Vaciar los depósitos (31 y 32) como indicado en el párrafo antecedente.
3. Efectuar las operaciones de mantenimiento necesarias después del uso de la máquina (véase el capítulo Mantenimiento).
4. Tener la máquina en un lugar seco y limpio, con el cepillo/filtro y la boquilla levantados o desmontados.

REMOCIÓN DEL DEPÓSITO DEL AGUA DE RECUPERACIÓN

Para controlar las baterías, o para otras operaciones, puede ser necesario quitar el depósito del agua de recuperación (31) mediante el procedimiento siguiente.

1. Vaciar el depósito del agua de recuperación (31) como indicado en el párrafo específico.
2. Llevar la máquina sobre un suelo llano.
3. Controlar que los interruptores (65 y 66) estén en posición "0".
4. Desconectar el tubo de aspiración (22) de la boquilla (11).
5. Desconectar el tubo de descarga del agua de recuperación (16) del soporte (17).
6. Abrir la tapa (6).
7. Empuñar el depósito del agua de recuperación (A, Fig. 5) en el área (B) y levantarlo ligeramente.
8. Desconectar el tubo de aspiración (C) del depósito, luego quitar el depósito (A) con los tubos (D) y (E).

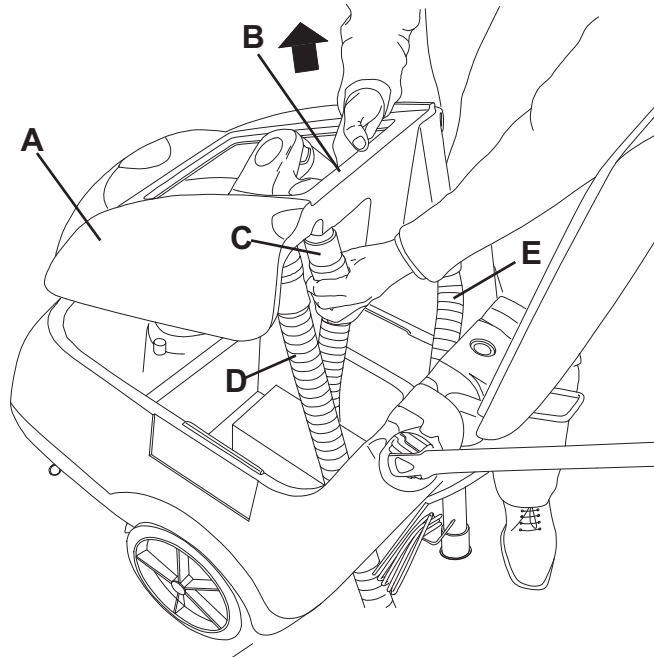


Figura 5

S310233A

PERIODO DE LARGA INACTIVIDAD DE LA MÁQUINA

Si se piensa que la máquina no va a ser usada durante 30 días o más, efectuar las operaciones siguientes:

1. Llevar a cabo los procedimientos indicados en el párrafo Después del uso de la máquina.
2. Desconectar los bornes negativos de las baterías (50), tras haber quitado el depósito del agua de recuperación (31) como indicado en el párrafo anterior.
3. Instalar el depósito del agua de recuperación (A).
4. Almacenar la máquina en un lugar limpio y seco.

PRIMER PERIODO DE USO

Después del primer período de uso (primeras 8 horas) es necesario controlar que los elementos de fijación y conexión estén correctamente instalados. Controlar que las partes visibles no estén dañadas y que no haya pérdidas de líquidos.

MANTENIMIENTO

Un mantenimiento cuidadoso y continuo garantiza la vida útil y la seguridad de funcionamiento de la máquina. El esquema siguiente resume el mantenimiento programado. Los periodos indicados pueden variar según las condiciones de trabajos, que el encargado del mantenimiento debe establecer.



¡ATENCIÓN!

Las operaciones de mantenimiento deben efectuarse con la máquina apagada, las baterías desconectadas y el cable eléctrico del cargador de baterías desconectado.

Además, leer cuidadosamente todas las instrucciones del capítulo Seguridad.

Todas las operaciones de mantenimiento programado o extraordinario deben ser efectuadas por el personal calificado o por un Centro de asistencia autorizado. En este manual se detallan sólo los procedimientos de mantenimiento más sencillos y frecuentes.



NOTA

Para las operaciones de mantenimiento no indicadas en el Esquema de mantenimiento programado, véase el Manual de taller disponible cerca de los Centros de asistencia.

ESQUEMA DE MANTENIMIENTO PROGRAMADO

Operación	Diaria o después del uso de la máquina	Semanaria	Semestral	Anual
Limpieza de la boquilla				
Limpieza del cepillo				
Limpieza de los depósitos y rejilla de aspiración				
Control y sustitución de los cauchos de la boquilla				
Limpieza del filtro de la solución detergente				
Cargador de baterías				
Control de la torsión de las tuercas y de los tornillos			(1)	
Control y sustitución escobillas de carbón del motor del cepillo				(2)
Control y sustitución escobillas de carbón del motor de aspiración				(2)

(1) y después de las primeras 8 horas de trabajo

(2) por estas operaciones de mantenimiento acudir a un Centro de asistencia autorizado Advance.

LIMPIEZA DE LA BOQUILLA



NOTA

Para un buen secamiento, la boquilla debe estar limpia y con los cauchos en buenas condiciones.



¡ATENCIÓN!

Durante estas operaciones se aconseja usar guantes de trabajo, porque residuos cortantes podrían estar en la boquilla.

1. Llevar la máquina sobre un suelo llano.
2. Controlar que los interruptores (65 y 66) estén en posición "0".
3. Bajar la boquilla con la palanca (19).
4. Desconectar el tubo de aspiración (22) de la boquilla.
5. Aflojar las empuñaduras (12) y quitar la boquilla (11).
6. Lavar y limpiar la boquilla, limpiar especialmente los huecos (A, Fig. 6) y el orificio de aspiración (B).
7. Controlar que los cauchos delantero (C) y trasero (D) estén en buenas condiciones, que no sean cortados o desgarrados; de lo contrario, sustituirlos (véase el procedimiento en el párrafo siguiente).
8. Instalar en el orden contrario a él de la remoción.

CONTROL Y SUSTITUCIÓN DE LOS CAUCHOS DE LA BOQUILLA

1. Limpiar la boquilla como indicado en el párrafo antecedente.
2. Controlar que los bordes (E, Fig. 6) de los cauchos delantero y trasero (I) apoyen en el suelo, por toda su longitud; de lo contrario ajustar la altura, como indicado a continuación:
 - ajustar el caucho delantero (C) y el caucho trasero (D) tras haber quitado los resortes de fijación (F);
 - instalar de nuevo los resortes de fijación sobre los cauchos delantero y trasero correctamente ajustados.
3. Controlar que los cauchos delantero (C) y trasero (D) estén en buenas condiciones, que no estén cortados o desgarrados; de lo contrario, sustituirlos como indicado a continuación. Controlar que el borde delantero (H) del caucho trasero no esté desgastado; de lo contrario volcar el caucho mismo, llevando en su posición el otro borde (G) no desgastado. Si el otro borde está desgastado, sustituir el caucho, mediante el procedimiento siguiente:
 - sustituir (o volcar) el caucho trasero (D) tras haber quitado los resortes de fijación (F);
 - instalar de nuevo los resortes de fijación sobre los cauchos delantero y trasero correctamente ajustados.
4. Montar la boquilla (11) y enroscar las empuñaduras (12).
5. Conectar el tubo de aspiración (22) a la boquilla (11).

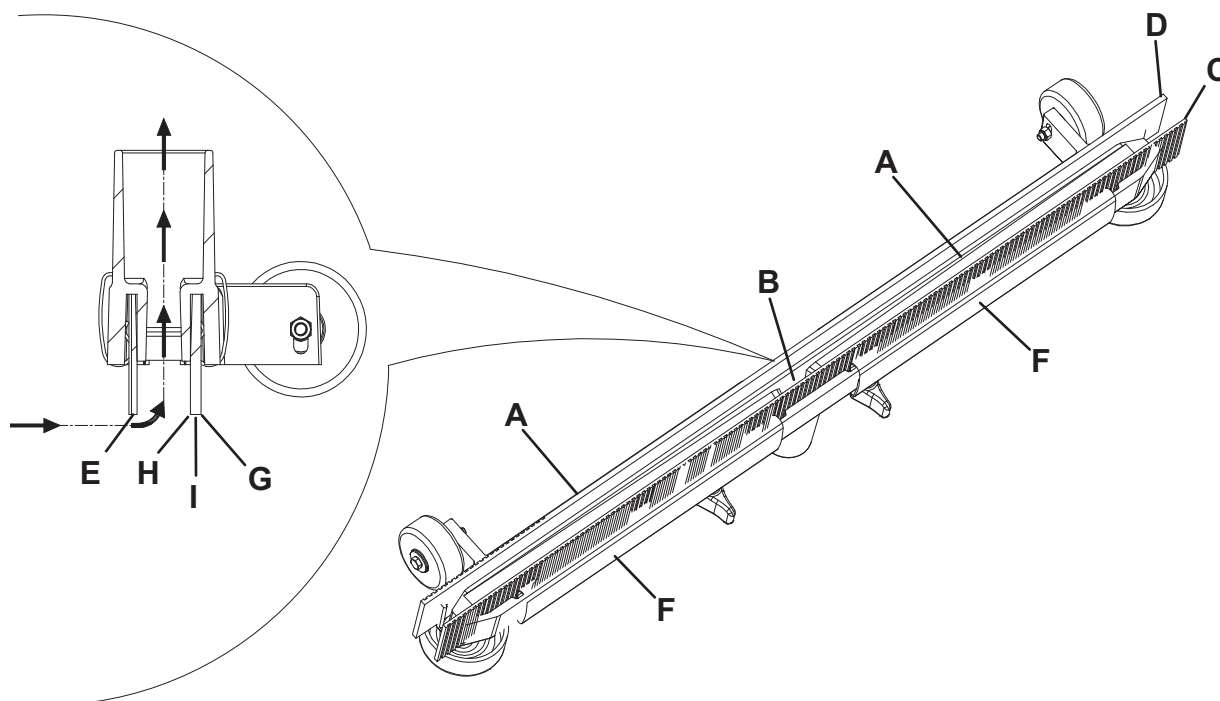


Figura 6

S310230A

LIMPIEZA DEL CEPILLO



NOTA

Durante estas operaciones se aconseja usar guantes de trabajo, porque residuos cortantes podrían estar en el cepillo.

1. Quitar el cepillo de la máquina como indicado en el capítulo Uso.
2. Limpiar el cepillo con agua y detergente.
3. Controlar que las cerdas del cepillo no estén dañadas o excesivamente desgastadas; de lo contrario, sustituir las.

LIMPIEZA DE LOS DEPÓSITOS Y REJILLA DE ASPIRACIÓN

1. Llevar la máquina en el área de eliminación designada.
2. Controlar que los interruptores (65 y 66) estén en posición "0".
3. Abrir la tapa (6) y lavar con agua limpia la tapa misma, los depósitos (31 y 32) y la rejilla de aspiración (46). Descargar el agua de los depósitos mediante el tubo de descarga (16) y la válvula (18).
4. Si necesario, desenganchar los sujetadores (B, Fig. 7), abrir la rejilla de aspiración (A), quitar el flotador (C) y limpiarlos con cuidado; luego reinstalarlos.
5. Controlar la integridad de la guarnición (D) de la tapa del depósito del agua de recuperación.



NOTA

La guarnición (D) causa la formación de vacío en el depósito, necesario para la aspiración del agua de recuperación.

Si necesario, quitar la guarnición (D) de su alojamiento (E) para sustituirla. Cuando se instala la nueva guarnición, posicionar su unión (F) en el área central que se muestra en la figura.

6. Controlar que toda la superficie perimetral (G) de apoyo de la guarnición (D) no esté dañada y que sea adecuada para la estanqueidad de la guarnición misma.
7. Controlar que el orificio de compensación (33) no esté obstruido.



NOTA

El orificio (33) permite la compensación de aire en el intersticio de la tapa, causando la formación de vacío en el depósito del agua de recuperación.

8. Cerrar la tapa del depósito del agua de recuperación (6).

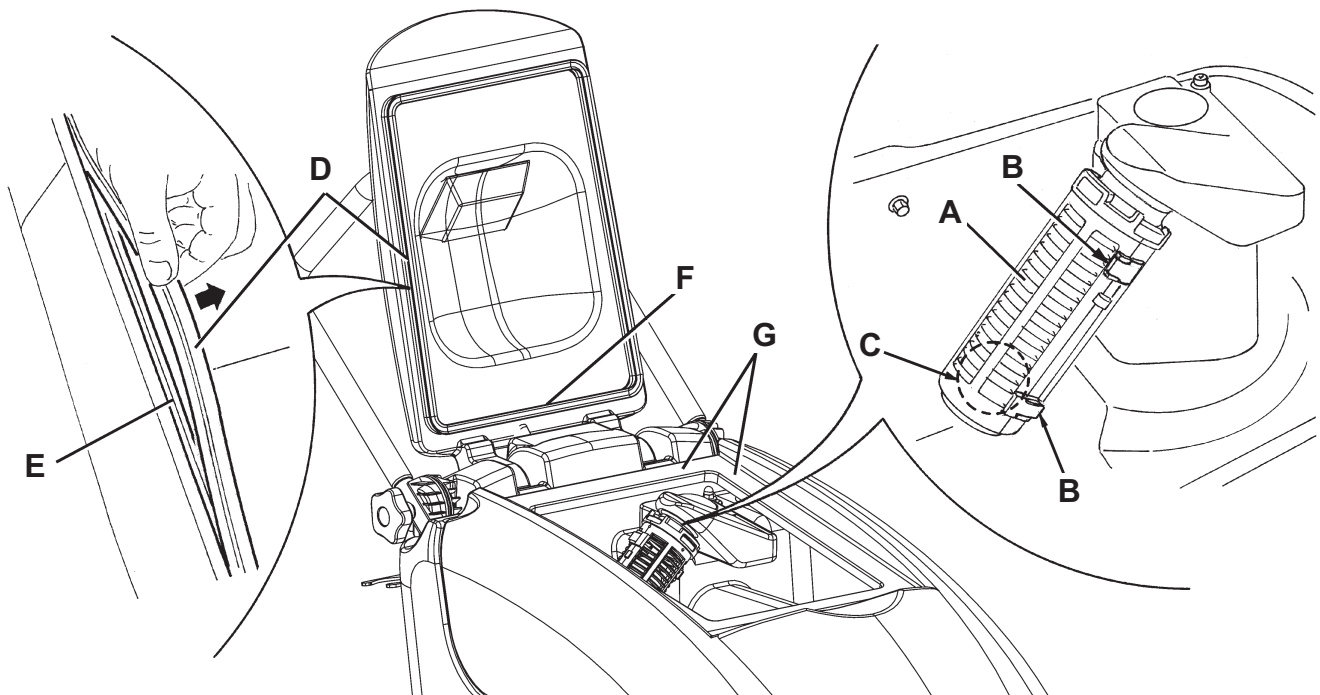


Figura 7

S310231B

LIMPIEZA DEL FILTRO DE LA SOLUCIÓN DETERGENTE

1. Vaciar el depósito de la solución detergente (32) como indicado en el párrafo específico.
2. Llevar la máquina sobre un suelo llano.
3. Controlar que los interruptores (65 y 66) estén en posición "0".
4. Desenroscar la tapa transparente (A, Fig. 8) y quitar la rejilla filtrante (B); limpiarlos y remontarlos en el soporte (C).



NOTA

Posicionar correctamente la rejilla filtrante (B) en el alojamiento (D) del soporte (C).

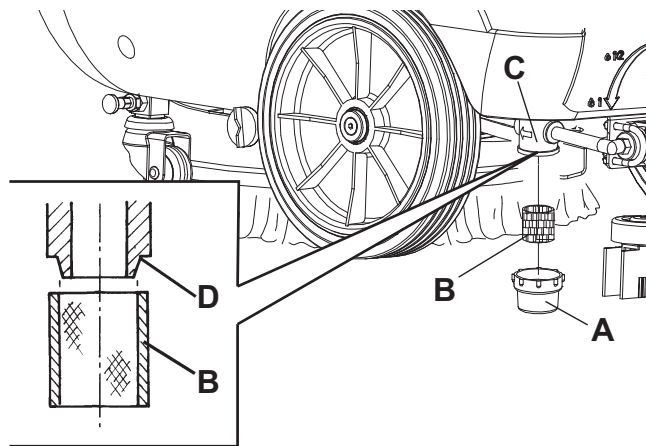


Figura 8

S310232A

AJUSTE DE LA VELOCIDAD DE MARCHA DE LA MÁQUINA



NOTA

Según el tipo de suelo, o según el uso del cepillo o del portafiltro, la velocidad de marcha de la máquina pueden variar. Es posible efectuar el ajuste relacionado usando el procedimiento siguiente.

1. Quitar el depósito del agua de recuperación como indicado en el capítulo Uso.
2. Ajustar la velocidad de marcha de la máquina mediante el tornillo (53) efectuando el procedimiento siguiente:
 - Aflojar el tornillo (57), en el lado derecho de la máquina, girándolo en sentido antihorario.
 - Girar el tornillo de ajuste (53) en sentido antihorario para aumentar la velocidad de marcha de la máquina.
 - Girar el tornillo de ajuste (53) en sentido horario para disminuir la velocidad de marcha de la máquina.
 - Una vez efectuado el ajuste, apretar el tornillo (57).
3. Montar el depósito del agua de recuperación como indicado en el capítulo Uso.
4. Antes de empezar el trabajo, controlar la máquina y, si es necesario efectuar otros ajustes, repetir los pasos de 1 a 4.

CARGA DE LAS BATERÍAS



NOTA

Cargar las baterías cuando la luz de aviso (63 o 64) se enciende y al final de cada trabajo. Si se mantienen las baterías cargadas, su durabilidad aumenta.



¡ADVERTENCIA!

No dejar las baterías descargadas durante mucho tiempo, porque su durabilidad podría reducirse. Controlar la carga de las baterías por lo menos una vez por semana.



¡ATENCIÓN!

Cargar las baterías sólo en áreas bien ventiladas y lejos de llamas libres. No fumar cuando se cargan las baterías.

El conjunto depósitos debe estar quitado mientras que se cargan las baterías.

1. Llevar la máquina sobre un suelo llano.
2. Cargar las baterías conectando el cable eléctrico (21) del cargador de baterías a la red eléctrica (la tensión y la frecuencia de la red deben ser compatibles con el cargador de baterías: véase el Manual del cargador de baterías).



NOTA

Cuando el cargador de baterías está conectado a la red eléctrica, todas las funciones de la máquina se paran automáticamente.

Si la luz de aviso verde (27) parpadea indica que el cargador está cargando las baterías.

3. Cuando la luz de aviso verde (27) se queda encendida, el ciclo de carga de las baterías está acabado.
4. Una vez efectuada la carga, desconectar el cable eléctrico (21) del cargador de baterías de la red eléctrica y engancharlo a su alojamiento en la máquina.
5. La máquina está lista para el uso.
6. Bloquear el depósito del agua de recuperación (A, Fig. 9) e instalarlo en la máquina como indicado. Conectar el tubo de aspiración (C) al depósito, luego bajarlo en la posición original.
7. Conectar el tubo de aspiración (22) a la boquilla (11).
8. Cerrar la tapa (6).



NOTA

Para informaciones suplementarias sobre el cargador de baterías (26) consultar el manual relacionado.

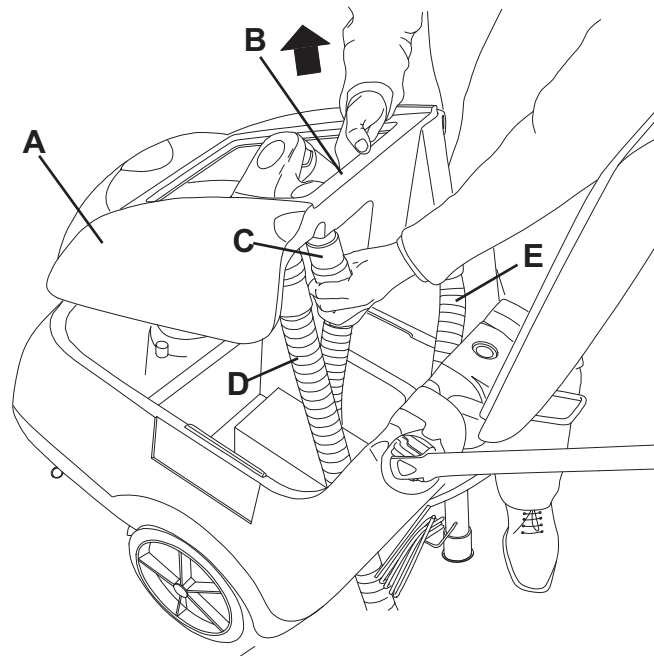


Figura 9

S310233A

CONTROL/SUSTITUCIÓN DE LOS FUSIBLES

1. Quitar el depósito del agua de recuperación como indicado en el capítulo Uso.
2. Desconectar los terminales negativos de las baterías (50).
3. Quitar los tornillos (A, Fig. 10), luego quitar la tapa (B) de la caja de los componentes eléctricos.
4. Controlar/sustituir los fusibles:
 - Cepillo (40 A) (C)
 - Sistema de aspiración (40 A) (D)
 - Electroválvula y tarjeta electrónica (5 A) (E)
5. Montar los componentes en el orden contrario a él de la remoción.

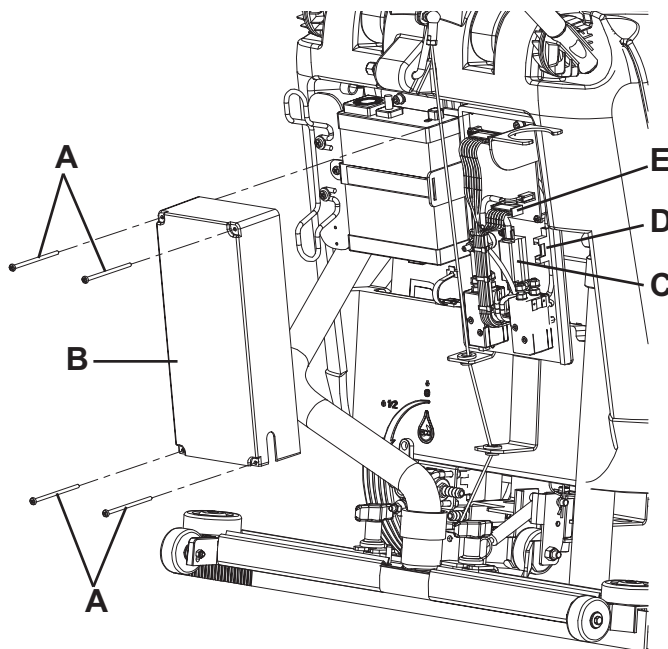


Figura 10

S310234A

BÚSQUEDA AVERÍAS

Problema	Probable causa	Remedio
Los motores no se encienden; ninguna luz de aviso encendida	Bornes de las baterías (50) desconectados	Conectar
	Baterías (50) completamente descargadas	Cargar
Las luces de aviso (62, 63, 64) parpadean simultáneamente	Sobrecarga del motor del cepillo	Usar cepillos menos duros o de tipo diferente
	Cuerpos extraños (hilos enrollados, etc.) que puedan frenar la rotación del cepillo	Limpiar el cubo del cepillo
El motor de aspiración no se enciende	Fusible quemado	Sustituir
Insuficiente aspiración del agua sucia	Depósito del agua de recuperación (31) lleno	Vaciar
	Rejilla de aspiración (46) obstruida o flotador en cierre	Limpiar la rejilla y controlar el flotador
	Tubo de aspiración (22) de la boquilla (11) desconectado o averiado	Conectar
	Boquilla (11) sucia o cauchos de la boquilla (13, 14) desgastados o dañados	Limpiar la boquilla o sustituir los cauchos
	La tapa del depósito del agua de recuperación (6) no está correctamente cerrada, o la guarnición (42) está desgastada	Controlar y/o limpiar la superficie de apoyo o sustituir la guarnición
	Depósito del agua de recuperación (31) sucio (obstrucción del orificio de salida)	Limpiar
Insuficiente flujo del detergente al cepillo/filtro	Filtro de la solución detergente (20) sucio	Limpiar
Estridos causados por la boquilla	Residuos bajo de los cauchos de la boquilla (13, 14)	Quitar los residuos
	Cauchos de la boquilla (13, 14) desgastados, astillados o desgarrados	Sustituir los cauchos

Para informaciones suplementarias consultar el Manual de asistencia cerca de los Centros de asistencia Advance.

ELIMINACIÓN

Eliminar la máquina en un demoleador calificado.

Antes de eliminar la máquina es necesario quitar y separar los siguientes materiales y eliminarlos según las actuales normas de higiene ambiental:

- Batería
- Cepillos
- Tubos y componentes de plástico
- Componentes eléctricos y electrónicos (*)

(*) En particular, para la eliminación de componentes eléctricos y electrónicos, contactar con Advance.

ÍNDICE

INTRODUÇÃO	2
OBJECTIVO E CONTEÚDO DO MANUAL	2
DESTINATÁRIOS	2
CONSERVAÇÃO DO MANUAL	2
DADOS DE IDENTIFICAÇÃO	2
OUTROS MANUAIS DE REFERÊNCIA	2
PEÇAS DE SUBSTITUIÇÃO E MANUTENÇÃO	2
MODIFICAÇÕES E MELHORIAS	2
CAPACIDADE DE OPERAÇÃO	2
CONVENÇÕES	2
DESEMBALAGEM/ENTREGA	3
SEGURANÇA	3
SÍMBOLOS UTILIZADOS	3
INSTRUÇÕES GERAIS	3
DESCRIÇÃO DA MÁQUINA	5
ESTRUTURA DA MÁQUINA	5
PAINEL DE CONTROLO E COMANDOS	7
ACESSÓRIOS / OPCIONAIS	7
CARACTERÍSTICAS TÉCNICAS	8
DIAGRAMA ELÉCTRICO	9
UTILIZAÇÃO	10
CONTROLO / PREPARAÇÃO DA BATERIA NUMA MÁQUINA NOVA	10
DEFINIÇÃO (GEL), INSTALAÇÃO E CARREGAMENTO DA BATERIA	10
ANTES DO ARRANQUE DA MÁQUINA	11
ARRANQUE E PARAGEM DA MÁQUINA	12
MÁQUINA EM OPERAÇÃO (LAVAGEM/SECAGEM)	13
TRANSPORTE/ESTACIONAMENTO DA MÁQUINA	14
ESVAZIAMENTO DO RESERVATÓRIO	14
APÓS UTILIZAÇÃO DA MÁQUINA	14
REMOÇÃO DO RESERVATÓRIO DA ÁGUA DE RECUPERAÇÃO	15
INACTIVIDADE PROLONGADA DA MÁQUINA	15
PRIMEIRO PERÍODO DE UTILIZAÇÃO	15
MANUTENÇÃO	16
PLANO DE MANUTENÇÃO PROGRAMADA	16
LIMPEZA DO LIMPADOR	17
CONTROLO E SUBSTITUIÇÃO DAS BORRACHAS DO LIMPADOR	17
LIMPEZA DA ESCOVA	18
LIMPEZA DOS RESERVATÓRIOS E DA GRELHA DE ASPIRAÇÃO	18
LIMPEZA DO FILTRO DA SOLUÇÃO DETERGENTE	19
REGULAÇÃO DA VELOCIDADE DE AVANÇO DA MÁQUINA	19
CARREGAMENTO DAS BATERIAS	20
CONTROLO / SUBSTITUIÇÃO DOS FUSÍVEIS	21
RESOLUÇÃO DE PROBLEMAS	22
FIM DE VIDA	22

INTRODUÇÃO



NOTA

Os números indicados entre parêntesis referem-se aos componentes ilustrados no capítulo Descrição da máquina.

OBJECTIVO E CONTEÚDO DO MANUAL

Este manual tem o escopo de fornecer ao cliente todas as informações necessárias de modo que este esteja preparado para utilizar a máquina da maneira mais adequada, autónoma e segura possível. O manual compreende informações inerentes à parte técnica, ao funcionamento, ao desligamento da máquina, à manutenção, às peças de substituição e à segurança.

Antes de efectuar qualquer operação na Máquina, os operadores e os técnicos encarregados da manutenção devem ler cuidadosamente as instruções contidas na presente publicação. Em caso de dúvidas sobre a correcta interpretação das instruções, contacte o Centro de Assistência autorizado Advance para obter os esclarecimentos necessários.

DESTINATÁRIOS

O presente manual destina-se quer ao operador, quer aos técnicos qualificados de manutenção da máquina.

Os operadores não devem executar intervenções reservadas aos técnicos qualificados. Advance não se responsabiliza por danos resultantes do não cumprimento desta proibição.

CONSERVAÇÃO DO MANUAL

As instruções de uso devem ser conservadas nas proximidades da máquina, dentro de seu envelope, protegido de líquidos e tudo mais que possa comprometer seu estado de legibilidade.

DADOS DE IDENTIFICAÇÃO

O número de série e o modelo da sua máquina estão indicados na placa legível na parte exterior (1).

O ano de produção da máquina está indicado após o código de data do número de série (A08 significa janeiro de 2008).

Estas informações são necessárias quando são encomendadas peças de substituição para a máquina. Utilize o espaço abaixo para anotar os dados de identificação da máquina, para referência futura.

Modelo da MÁQUINA

Número de série da MÁQUINA

OUTROS MANUAIS DE REFERÊNCIA

- Manual do carregador de bateria electrónico, deve ser considerado parte integrante do presente manual.
- Catálogo das peças de substituição (fornecido com a máquina).
- Manual de assistência (pode ser consultado nos Centros de assistência da Advance)

PEÇAS DE SUBSTITUIÇÃO E MANUTENÇÃO

Para qualquer necessidade relativa à utilização, às manutenções e às reparações, quando necessário, consulte o pessoal qualificado ou directamente os centros de assistência Advance; devem ser utilizadas peças de substituição e acessórios originais. Para assistência e para encomendar peças de substituição ou acessórios, contacte a empresa Advance, especificando sempre o modelo e o número de série.

MODIFICAÇÕES E MELHORIAS

A Advance procura constantemente aperfeiçoar os produtos e reserva-se o direito de efectuar modificações e melhorias, quando necessário, sem a obrigação de modificar as máquinas vendidas anteriormente.

Fica estipulado que qualquer modificação e/ou acréscimo de acessórios deve ser explicitamente aprovada e realizada pela Advance.

CAPACIDADE DE OPERAÇÃO

A presente máquina de lavar e secar foi concebida e fabricada para a limpeza (lavagem e secagem) de pisos lisos e sólidos, em espaços públicos e industriais, em condições de comprovada segurança, por parte de um operador qualificado.

As máquinas de lavar e secar não são adequadas para a lavagem de tapetes ou carpetes.

CONVENÇÕES

Todas as referências, para frente, para trás, dianteiro, traseiro, direito ou esquerdo indicadas neste manual, devem ser entendidas como referidas ao operador com as mãos no guiador (2).

DESEMBALAGEM/ENTREGA

Para desembalar a máquina, siga atentamente as instruções presentes na embalagem.

Quando a máquina for entregue, verifique cuidadosamente se a embalagem e a máquina não tenham sofrido danos durante o transporte.

Se os danos forem evidentes, conserve a eventual embalagem de modo que possa ser visionada pela empresa de entregas responsável. Contacte-a imediatamente para preencher um pedido de indemnização pelos danos.

Verifique que os seguintes componentes são fornecidos com a sua máquina:

- Documentação Técnica:
 - Instruções de uso da máquina de lavar e secar.
 - Manual do carregador de bateria electrónico.
 - Catálogo peças de substituição da máquina de lavar e secar.
- N° 1 fusível lamelar de 40 A
- N° 4 argolas
- N° 4 tampa de protecção do terminal da bateria

SEGURANÇA

São utilizados os seguintes símbolos para assinalar eventuais situações de perigo. Leia sempre estas informações com atenção e tome as devidas precauções para proteger as pessoas e os objectos.

A colaboração do operador é essencial para evitar acidentes. Nenhum programa de prevenção de acidentes pode ser eficaz sem a total colaboração da pessoa directamente responsável pelo funcionamento da máquina. A maioria dos acidentes, que podem ocorrer numa fábrica, no trabalho ou nas deslocações, deve-se ao incumprimento das mais elementares normas de segurança. Um operador atento e prudente é a melhor garantia contra os acidentes e indispensável para implementar qualquer programa de prevenção.

SÍMBOLOS UTILIZADOS

**PERIGO!**

Indica um perigo com risco, até mortal, para o operador.

**ATENÇÃO!**

Indica um risco potencial de acidente para as pessoas.

**ADVERTÊNCIA!**

Indica uma advertência ou uma nota sobre funções chave ou sobre funções úteis. Preste a máxima atenção aos blocos de texto assinalados com esse símbolo.

**NOTA**

Indica uma nota sobre funções chave ou sobre funções úteis.

**CONSULTA**

Indica a necessidade de consultar as instruções de uso antes de executar qualquer operação.

INSTRUÇÕES GERAIS

Encontram-se descritas a seguir advertências e atenções específicas para indicar os potenciais perigos de danos à máquina e às pessoas.

**PERIGO!**

- *Antes de executar qualquer operação de limpeza, manutenção ou substituição de peças, coloque os interruptores gerais da máquina na posição "0" e, se for necessário, desligue a bateria.*
- *Esta máquina deve ser utilizada apenas por pessoas que tenham tido formação apropriada. É proibida a utilização da máquina por parte de crianças e pessoas com limitações físicas.*
- *Tire todas as jóias quando estiver a trabalhar próximo de componentes eléctricos.*
- *Não opere com esta máquina em espaços onde estejam presentes poeiras, líquidos ou vapores nocivos, perigosos, inflamáveis e/ou explosivos: esta máquina não é adequada para recolher poeira perigosa.*
- *Remova o reservatório de água de recuperação durante todo o ciclo de recarga das baterias e efectua a operação apenas em áreas bem ventiladas e longe de chamas livres.*

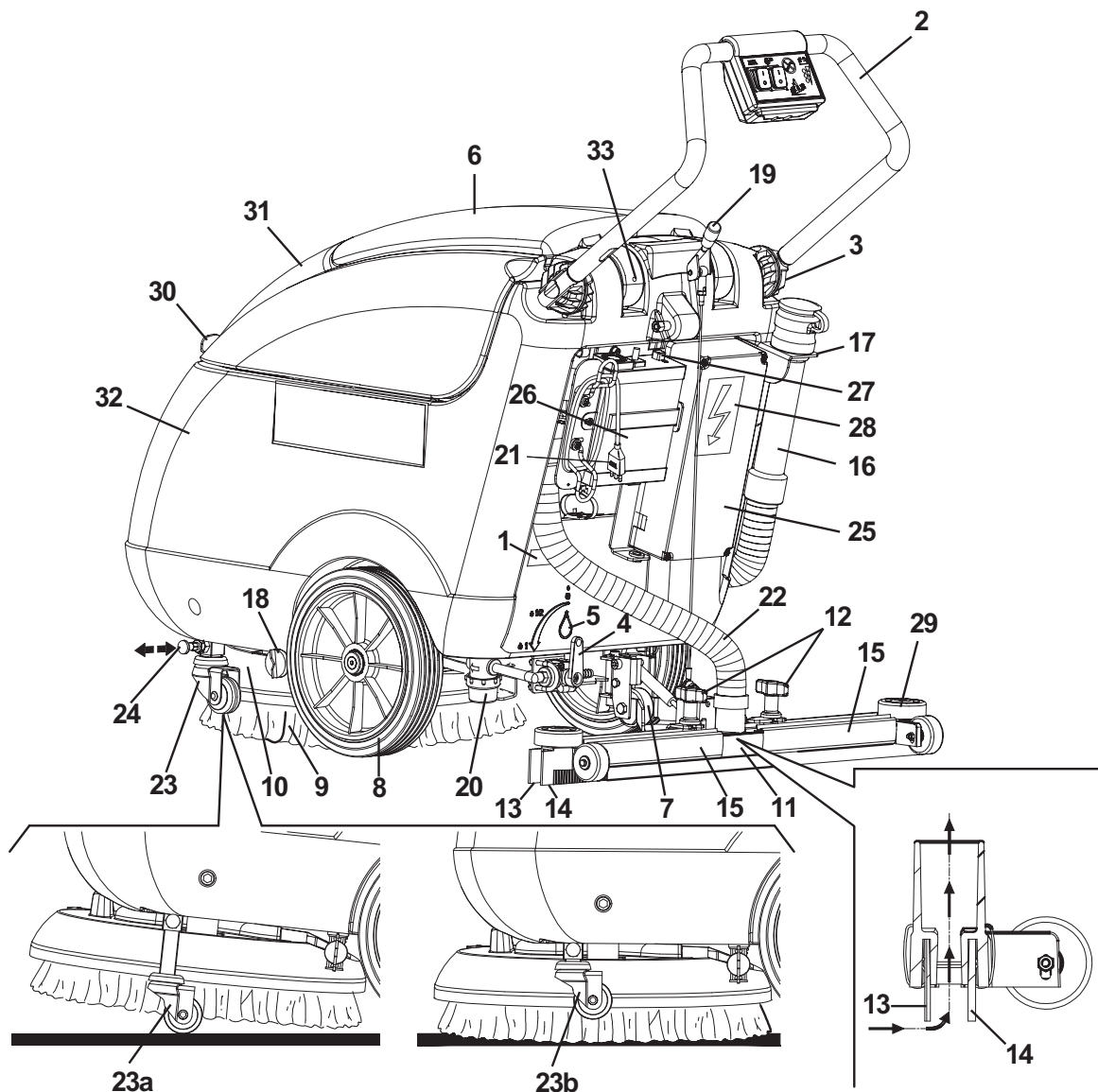
**ATENÇÃO!**

- Antes de utilizar o carregador de bateria, certifique-se de que a frequência e a tensão indicadas na placa do número de série da máquina coincidam com os dados de rede.
- Não utilize o cabo do carregador de bateria para tirar ou transportar a máquina, nem o utilize como se fosse uma pega. Não deixe que o cabo do carregador de bateria seja preso numa porta, nem o puxe em superfície ou ângulos afiados. Não passe com a máquina por cima do cabo do carregador de bateria. Mantenha o cabo do carregador de bateria afastado de superfícies quentes.
- Se o cabo do carregador de bateria ou a tomada estiverem danificados, não recarregue as baterias da máquina. Se a máquina não funcionar correctamente, está danificada, ficou ao ar livre ou caiu na água, leve-a para um centro de assistência.
- Para reduzir o risco de incêndio, choques eléctricos ou lesões, não deixe a máquina ligada à rede eléctrica sem vigilância. Antes de efectuar a manutenção, desligue o cabo do carregador de bateria da rede eléctrica.
- Não fume durante o carregamento das baterias.
- Se a máquina for deixada sem vigilância, deve ser bloqueada para impedir o movimento involuntário.
- Proteja sempre a máquina do sol, chuva e outras intempéries seja em estado de funcionamento ou parada. Mantenha a máquina num lugar coberto, num ambiente seco: esta máquina destina-se apenas para utilização a seco e não deve ser utilizada ou colocada no exterior em condições de humidade.
- Antes de utilizar a máquina, feche todas as portinholas e/ou tampas.
- Não deixe a máquina ser utilizada como se fosse um brinquedo. Preste em particular atenção quando a utilizar com crianças por perto.
- Não utilize para fins diferentes dos que são indicados neste Manual. Utilize unicamente os acessórios recomendados pela Advance.
- Tome as devidas precauções de modo que cabelos, jóias, partes das roupas soltas não fiquem presas nas partes em movimento da máquina.
- Não abandone a máquina sem antes se certificar de que a mesma não pode mover-se sozinha.
- Não utilize a máquina em superfícies cujo gradiente seja superior àquele indicado.
- Durante a utilização da máquina, preste atenção para garantir a segurança das outras pessoas e dos objectos.
- Não encoste a estantes ou andaimes, principalmente se existir o perigo de queda de objectos.
- Não pose recipientes com líquidos na máquina.
- A temperatura de utilização da máquina deve estar compreendida entre 0°C e +40°C.
- A temperatura de armazenamento da máquina deve estar compreendida entre 0°C e +40°C.
- A humidade deve estar compreendida entre 30% e 95%.
- Não utilize a máquina como meio de transporte.
- Não utilize a máquina em superfícies cujo gradiente seja superior àquele indicado na máquina.
- Evite que as escovas estejam em funcionamento com a máquina parada para não provocar danos no piso.
- Em caso de incêndio, utilize, se for possível, um extintor de pó e não de água.
- Não viole, em nenhum caso, as protecções previstas para a máquina, respeite escrupulosamente as instruções previstas para a manutenção periódica.
- Não deixe nenhum objecto penetrar nas aberturas. Se as aberturas estiverem obstruídas, não utilize a máquina. Mantenha as aberturas da máquina livres de pó, fios, pêlos e qualquer outro corpo estranho que possa reduzir o fluxo de ar.
- Não remova, nem altere as placas colocadas na máquina.
- A presente máquina não é aprovada para a utilização em estradas ou vias públicas.
- Preste atenção durante o transporte da máquina em condições abaixo da temperatura de congelamento. A água presente no reservatório da água de recuperação ou nos tubos pode congelar e danificar gravemente a máquina.
- Utilize unicamente as escovas e os feltros fornecidos com a máquina e os especificados nas instruções de uso. A utilização de outras escovas ou feltros pode pôr em causa a segurança.
- No caso de se verificarem anomalias no funcionamento da máquina, certifique-se de que não se devem à falta de manutenção periódica. Caso contrário solicite a intervenção do pessoal autorizado ou do centro de assistência autorizado.
- Em caso de substituição de peças, solicite peças de substituição ORIGINAIS a um concessionário ou revendedor autorizado.
- Por motivos da segurança, e também do bom funcionamento, faça com que pessoal autorizado ou um centro de assistência autorizado execute a manutenção programada prevista no capítulo específico deste manual.
- Antes de efectuar qualquer intervenção de manutenção/reparação, leia cuidadosamente todas as instruções relativas à manutenção/reparação.
- Não lave a máquina com jactos de água directos ou sob pressão, ou com substâncias corrosivas.
- A máquina não deve ser abandonada, no fim de seu ciclo de vida, devido à presença, em seu interior, de materiais tóxicos nocivos (baterias, etc.), sujeitos a normas que prevêm o despejo junto a centros especiais (veja o capítulo Fim de vida).

DESCRIÇÃO DA MÁQUINA

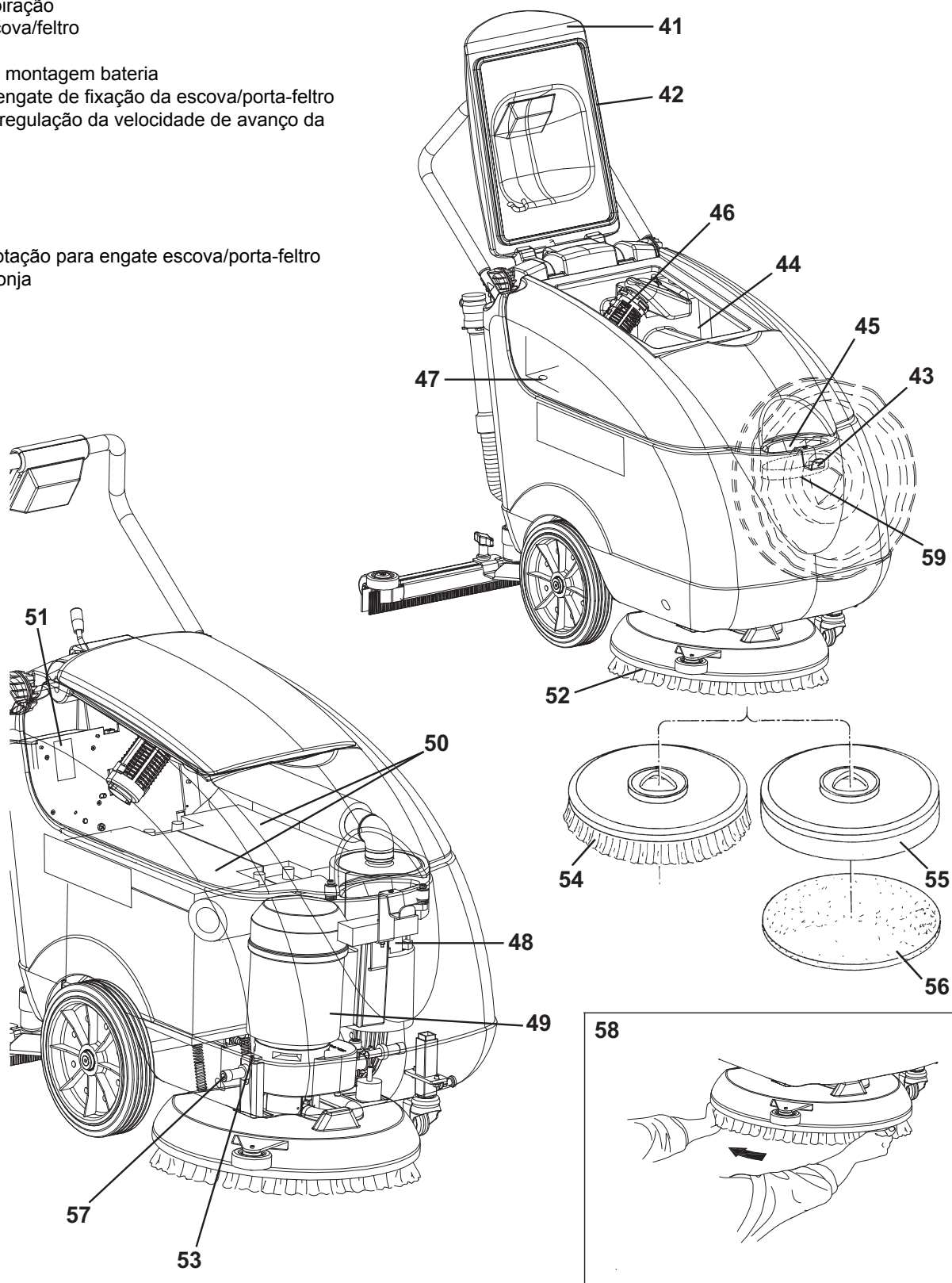
ESTRUTURA DA MÁQUINA

1. Placa do número de série/dados técnicos
2. Guiador
3. Manípulo de regulação da inclinação do guiador
4. Alavanca de regulação fluxo solução detergente
5. Posição alavanca de regulação do fluxo de detergente Smart solutions (utilização em "económico" da água, para uma autonomia de lavagem programada de 70 a 80 minutos)
6. Tampa de reservatório da água de recuperação
7. Roda traseira de apoio durante o transporte/ estacionamento
8. Rodas centrais em eixo fixo
9. Escova/feltro
10. Tampa da escova/feltro
11. Limpador
12. Volantes de fixação do limpador
13. Borracha dianteira do limpador
14. Borracha traseira do limpador
15. Molas de fixação das borrachas do limpador
16. Tubo de descarga da água de recuperação
17. Suporte do tubo de descarga da água de recuperação
18. Válvula de descarga da solução de detergente
19. Alavanca de elevação/abaixamento do limpador
20. Filtro da solução de detergente
21. Cabo eléctrico de ligação do carregador de bateria à rede eléctrica
22. Tubo de aspiração do limpador
23. Dispositivo de transporte/estacionamento engatado
- 23a. Dispositivo de transporte/estacionamento engatado
- 23b. Dispositivo de transporte/estacionamento desengatado
24. Tomada de posicionamento do dispositivo de transporte/ estacionamento
25. Caixa dos componentes eléctricos
26. Carregador de bateria
27. Sinalizadores luminosos de carregamento de bateria
28. Autocolante de perigo
29. Rodas pára-choques do limpador
30. Suporte da escova/feltro
31. Reservatório da água de recuperação
32. Reservatório da solução de detergente
33. Furo de compensação



ESTRUTURA DA MÁQUINA (continuação)

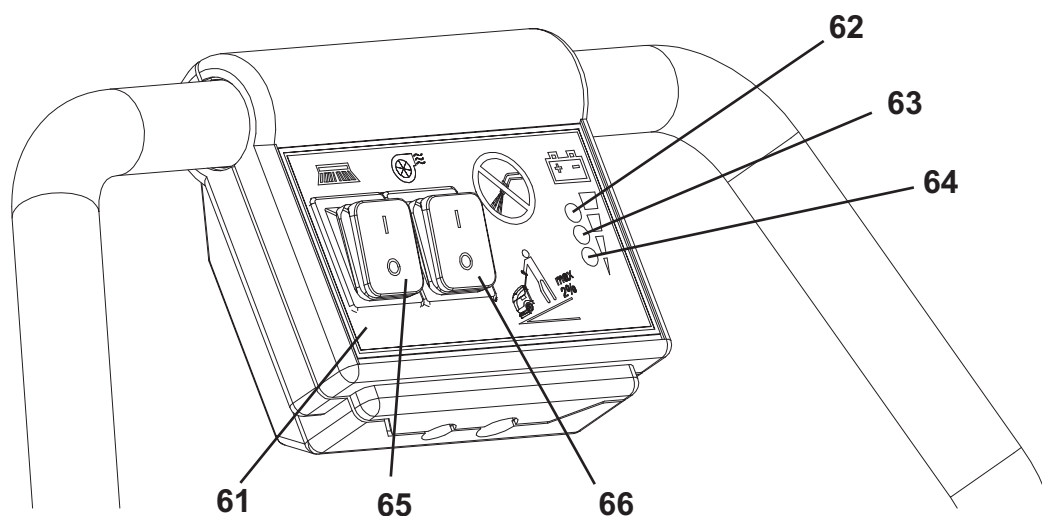
41. Tapa de reservatório da água de recuperação (aberta)
42. Junta de vedação da tampa do reservatório da água de recuperação
43. Suporte da escova/feltro
44. Compartimento do reservatório da água de recuperação
45. Bocal de enchimento do reservatório da solução detergente
46. Grelha de aspiração com fechamento automático com bóia
47. Furo de drenagem água de recuperação
48. Motor de aspiração
49. Motor da escova/feltro
50. Baterias
51. Diagrama de montagem bateria
52. Tampa com engate de fixação da escova/porta-feltro
53. Parafuso de regulação da velocidade de avanço da máquina
54. Escova
55. Porta-feltro
56. Feltro
57. Parafuso
58. Sentido de rotação para engate escova/porta-feltro
59. Filtro de esponja



S310235

PAINEL DE CONTROLO E COMANDOS

61. Painel de controlo e comandos
62. Sinalizador luminoso de bateria carregada (verde)
63. Sinalizador luminoso de bateria quase descarregada (amarelo)
64. Sinalizador luminoso de bateria descarregada (vermelho)
65. Interruptor escova/filtro
66. Interruptor aspiração



S310227

ACESSÓRIOS / OPCIONAIS

Além dos componentes presentes na versão padrão, a máquina pode ser equipada com os seguintes acessórios/opcionais, com base na utilização específica da mesma:

- escovas/filtros de materiais diferentes;
- Limpador curvo

Para mais informações relativas aos acessórios opcionais acima indicados, consulte o seu revendedor habitual.

CARACTERÍSTICAS TÉCNICAS

Gerais	Valores
Comprimento da máquina	997 mm (39,2 in)
Largura da máquina com limpador	720 mm (28,3 in)
Largura da máquina sem limpador	570 mm (22,4 in)
Altura mínima/máxima da máquina com guiador regulável	730 - 836 mm (28,7 - 32,9 in)
Peso total da máquina	63 kg (138,6 lbs)
Raio mínimo de curvatura	750 mm (29,5 in)
Largura de limpeza	430 mm (16,9 in)
Dimensão do vão baterias	350x350x260 mm (13,7x13,7x10,2 in)
Diâmetro das rodas centrais em eixo fixo	250 mm (9,8 in)
Diâmetro da escova/filtro	430 - 432 mm (16,9 - 17 in)
Pressão da rodas traseiras no pavimento	1,0 N/mm ² (145 psi)
Pressão da roda dianteira no pavimento	1,9 N/mm ² (275,5 psi)
Pressão da escova/filtro no pavimento	23 kg (50,6 lbs)

Desempenho	Valores
Aspiração	1.055 mmH ₂ O (41,5 inH ₂ O)
Velocidade do motor da escova/filtro	135 rpm
Pressão sonora no ouvido do operador (ISO 11201, ISO 4871) (LpA)	65 dB(A) ± 3 dB(A)
Potência sonora emitida pela máquina (ISO 3744, ISO 4871) (LwA)	89 dB(A)
Nível das vibrações no braço do operador (ISO 5349-1)	< 2,5 m/s ²
Potência do motor de aspiração	0,4 HP (300 W)
Potência do motor da escova/filtro	0,7 HP (520 W)
Inclinação máxima de trabalho	2%
Tensão das baterias	24 V
Baterias padrão	12 V 87 Ah (GEL)
Capacidade do reservatório de água limpa	23 litros (6,0 gal)
Capacidade do reservatório de água suja	21 litros (5,5 gal)

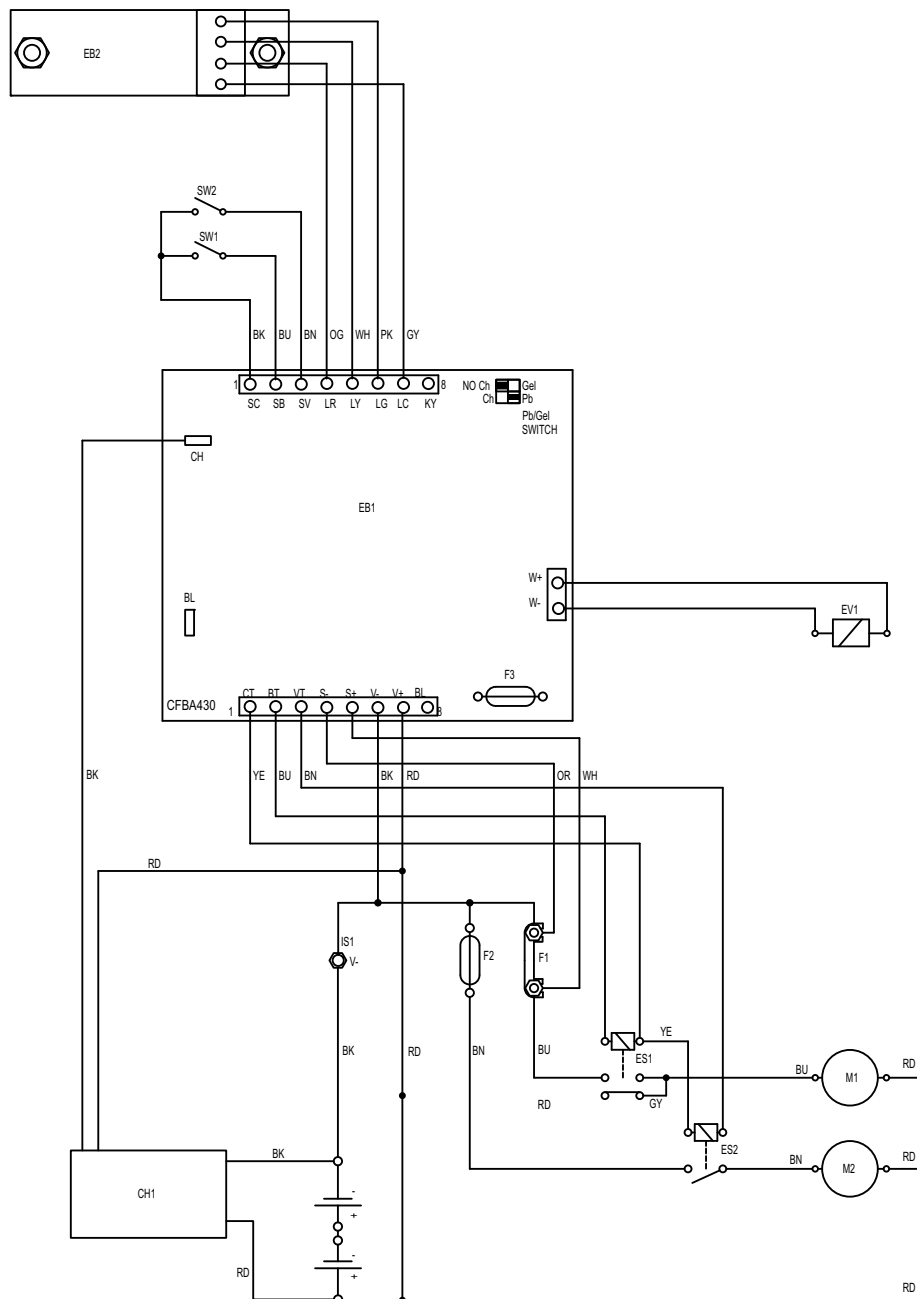
DIAGRAMA ELÉCTRICO

Legenda

CH1	Carregador de bateria
C1	Conector do carregador de bateria
EB1	Placa electrónica (CF BA430)
EB2	Led da placa electrónica (CF BALED)
ES1	Interruptor escova/feltro
ES2	Interruptor aspiração
EV1	Electroválvula água
F1	Fusível da escova (40 A)
F2	Fusível da escova (40 A)
F3	Fusível da electroválvula e placa electrónica (5 A)
IS1	Isolador negativo
M1	Motor da escova/feltro
M2	Motor de aspiração
SW1	Interruptor escova/feltro
SW2	Interruptor aspiração

Código das cores

BK	Preto
BU	Azul
BN	Castanho
GN	Verde
GY	Cinzentos
OG	Cor de laranja
PK	Rosa
RD	Vermelho
VT	Roxo
WH	Branco
YE	Amarelo



UTILIZAÇÃO



ATENÇÃO!

Em alguns pontos da máquina encontram-se aplicadas autocolantes que indicam:

- PERIGO
- ATENÇÃO
- ADVERTÊNCIA
- CONSULTA

O operador, durante a leitura deste manual, deve compreender perfeitamente o significado dos símbolos presentes nas placas. Não cobrir, em hipótese alguma, as placas e substituí-las imediatamente caso venham a ser danificadas.

CONTROLO / PREPARAÇÃO DA BATERIA NUMA MÁQUINA NOVA



ATENÇÃO!

Os componentes eléctricos desta máquina podem sofrer sérios danos se as baterias não forem instaladas e conectadas da maneira correcta. As baterias devem ser instaladas exclusivamente por pessoal qualificado. Controle as baterias antes da instalação para controlar que não estejam danificadas. Manuseie as baterias com muita atenção. Instalar as tampas protectoras dos bornes da bateria fornecidas com a máquina.

A máquina requer duas baterias de 12 V, ligadas conforme o diagrama (51).

A máquina pode ser fornecida numa das seguintes configurações:

Baterias de GEL montadas na máquina e prontas para a utilização

- Ligue a máquina através dos interruptores da escova/filtro e da aspiração (65 e 66). Se o sinalizador luminoso verde (62) se acender, as baterias estão prontas para a utilização.
- Caso os sinalizadores luminosos amarelo ou vermelho (63 ou 64) se acendam, é necessário carregar as baterias antes de utilizar a máquina (ver procedimento no capítulo Manutenção).

Sem baterias

- Compre baterias adequadas [Ver parágrafo Características Técnicas e o diagrama (51)]. Dirija-se a revendedores de baterias qualificados para a escolha e a instalação.
- Efectue o ajuste (GEL) e a instalação das baterias na máquina e carregue-las, como indicado no parágrafo seguinte.

DEFINIÇÃO (GEL), INSTALAÇÃO E CARREGAMENTO DA BATERIA

Segundo o tipo de baterias escolhido (GEL), defina a placa electrónica da máquina. Proceda como indicado a seguir.

Ajuste da máquina

1. A configuração de fábrica da máquina é para baterias de GEL; se esta configuração corresponder ao tipo de bateria adquiridas, passe ao ponto 4. Caso contrário, siga os pontos seguintes 2 e 3.
2. Aperte os parafusos (A, Fig. 1) e retire com cuidado a tampa (B) da caixa dos componentes eléctricos.



ATENÇÃO!

Não mover/deslocar o interruptor adjacente (D).

3. Repor a tampa (B) da caixa de componentes eléctricos e apertar os parafusos (A).

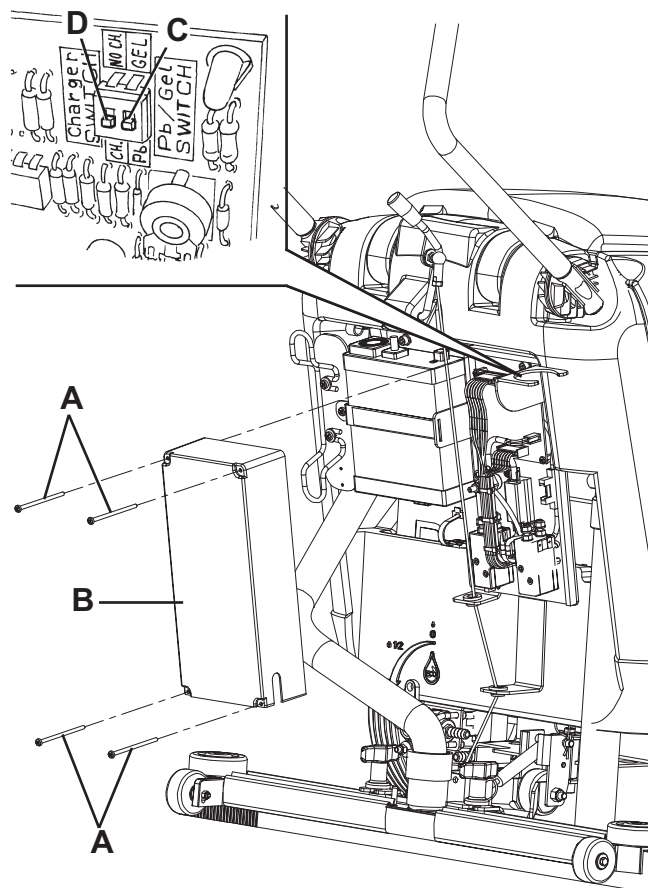


Figura 1

S310234B

Instalação das baterias

4. Desligue o tubo de aspiração (22) do limpador (11).
5. Desligue o tubo de descarga da água de recuperação (16) do suporte (17).
6. Abra a tampa (6).
7. Agarre o reservatório da água de recuperação (A, Fig. 2) pela zona (B) e levante-o ligeiramente.
8. Desligue o tubo da aspiração (C) do reservatório, depois retire o reservatório (A) com os tubos (D) e (E).
9. Instale as baterias na máquina conforme o diagrama (28).
10. Recoloque o reservatório (A, Fig. 2) efectuando os pontos 6 a 10 na ordem inversa.

Carregamento das baterias

11. Efectue o carregamento das baterias (ver procedimento no capítulo Manutenção).

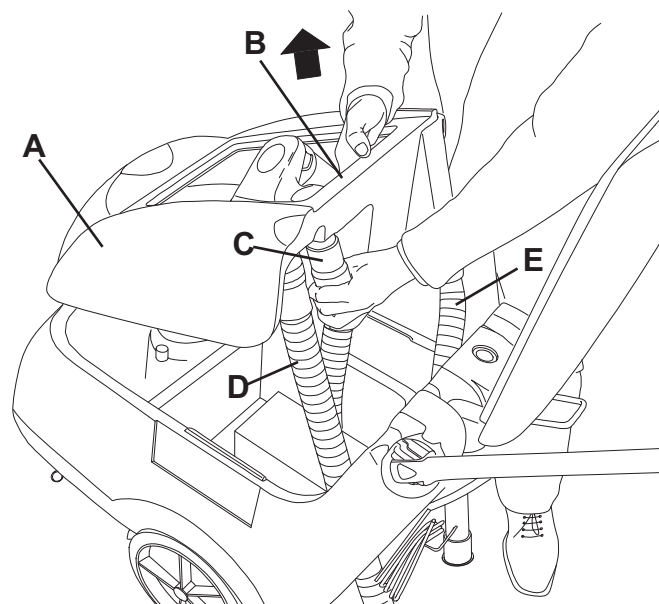


Figura 2

S310233 A

ANTES DO ARRANQUE DA MÁQUINA**Instalação da escova ou do porta-feltro**

NOTA

Em função do pavimento a tratar, é possível instalar a escova (54) ou o porta-feltro (55).

1. Desengate o dispositivo de transporte/estacionamento (23b) da máquina depois de ter accionado a engate de posicionamento (24).
2. Levante a tampa da escova/feltro (10) através da alavanca do guiador (2).
3. Posicione a escova (14) ou o porta-feltro (15) sob a cabeça.
4. Abaixar a tampa (10) por meio do guiador (2).
5. Pressione o interruptor da escova/porta-feltro (65), durante alguns segundos, para permitir o engate da escova/porta-feltro. Se o engate for difícil, rode manualmente a escova/porta-feltro no sentido inverso aos ponteiros do relógio (58).

Guia de aplicação das escovas/feltros (unicamente conselhos)

Tipos de escovas disponíveis		Midlite Grit 180	Midgrit 240	Prolite	Union Mix
Limpeza geral	Betão				
	Piso de terraço				
	Pavimento de azulejos/pedra				
	Mármore				
	Pavimento de vinil				
	Pavimento de borracha				
Polimento	Pavimento de borracha				
	Mármore				
	Pavimento de vinil				

Instalação do limpador

6. Instale o limpador (11) e fixe-o com os volantes (12), ligue então o tubo de aspiração (22) ao limpador.

Enchimento do reservatório da solução detergente

7. Através do bocal de enchimento (45), encha o reservatório da solução de detergente (32) específica para o trabalho a executar. Não encha completamente o reservatório da solução detergente, pare a alguns centímetros do topo. Siga sempre às instruções de diluição indicadas na etiqueta da confecção do produto químico usado para compor a solução detergente. A temperatura da solução detergente não deve ultrapassar os 40°C.

**ADVERTÊNCIA!**

Utilizar exclusivamente detergentes líquidos que produzam pouca espuma e não inflamáveis, idóneos para os aparelhos em uso.

Regulações

8. Regule o guiador (2) através do manípulo (3) na posição mais confortável para o operador.

ARRANQUE E PARAGEM DA MÁQUINA**Arranque da máquina**

1. Prepare a máquina como previsto no parágrafo anterior.
2. Abaixar o limpador (11) com a alavanca (19).
3. Posicione a alavanca de regulação do fluxo da solução de detergente (4) numa das seguintes posições possíveis, em função do tipo de limpeza a efectuar:
 - Smart solutions: colocando a alavanca (4) na posição Smart solutions (5), a máquina funciona numa condição específica de utilização programada da água; através do fluxo predefinido e constante da água, a máquina pode trabalhar com uma autonomia de 70 a 80 minutos (em média 0,3 L/min).
 - sistema variável: rodando a alavanca esquerda (fluxo variável), é possível aumentar a carga do fluxo a um máximo de 1 L/min.
 - É impossível fechar totalmente o fluxo de água das escovas durante o funcionamento.
4. Ligue a máquina, mantendo uma mão no guiador (2), colocando os interruptores escova/porta-filtro e do sistema de aspiração (65 e 66) na posição "1".

**NOTA**

Se o sinalizador luminoso verde (62) se acender, a máquina está pronta para a utilização. Caso os sinalizadores luminosos amarelo ou vermelho (63 ou 64) se acenderem, é necessário carregar as baterias (ver procedimento no capítulo Manutenção).

Paragem da máquina

5. Coloque os interruptores da escova/porta-filtro e do sistema de aspiração (65 e 66) na posição "0".
6. Levante o limpador com a alavanca (19).
7. Levante a escova/filtro accionando (23a) o dispositivo de transporte/estacionamento da máquina depois de ter accionado a engate de posicionamento (24).

MÁQUINA EM OPERAÇÃO (LAVAGEM/SECAGEM)

1. Ligue a máquina, como previsto no parágrafo anterior.
2. Manobre a máquina mantendo ambas as mãos no guidador (2) e inicie o trabalho de lavagem/secagem do pavimento.
3. Se for necessário, varie a quantidade de solução de detergente enviada para a escova através da alavanca (4).



ADVERTÊNCIA!

Para evitar danificar a superfície de pavimento tratado, não utilize a escova a seco e, quando a máquina permanecer parada, pare a rotação da escova/feltro através do interruptor (65).



ADVERTÊNCIA!

Antes de erguer a escova/porta-feltro, pare sua rotação através do interruptor (65).



NOTA

Para uma lavagem/secagem correcta dos pavimentos nos bordos das paredes, a Advance sugere aproximar-se com o lado direito da máquina como representado na figura 3.

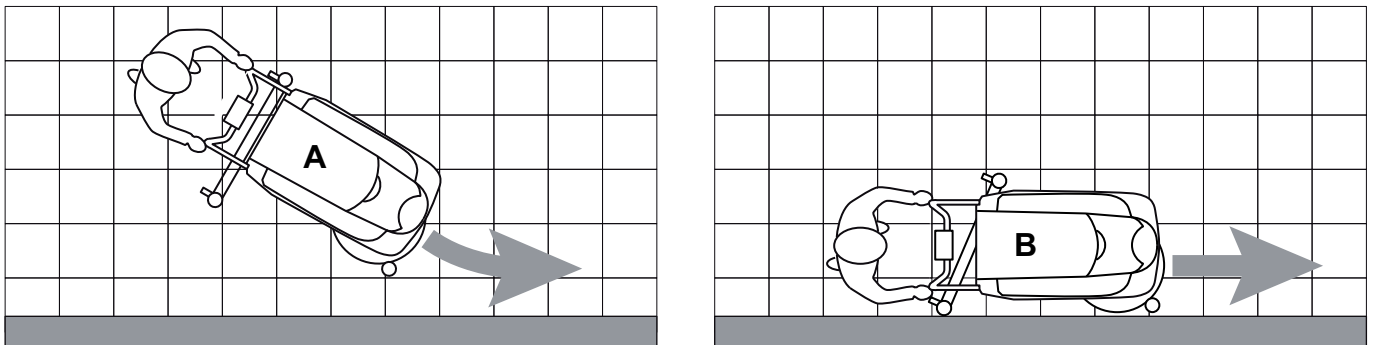


Figura 3

P100160



ADVERTÊNCIA!

Em caso de sobrecarga do motor da escova/porta-feltro, devido a corpos estranhos que dificultam o movimento das mesmas ou a pisos/escovas demasiado agressivos, um sistema de segurança pára a escova/porta-feltro após aproximadamente um minuto de sobrecarga contínua.

A condição de sobrecarga é indicada pelos três sinalizadores luminosos que piscam ao mesmo tempo (62, 63, 64).

Para retomar a trabalhar após a paragem da escova/porta-feltro devida à sobrecarga, é necessário desligar a máquina, colocando os interruptores da escova/porta-feltro e do sistema de aspiração (65 e 66) na posição "0".

Para voltar a ligar a máquina, coloque os interruptores da escova/porta-feltro e do sistema de aspiração (65 e 66) na posição "I".

Carregamento da bateria durante o funcionamento

4. Enquanto o sinalizador luminoso verde (62) permanecer aceso, as baterias permitem que a máquina funcione normalmente. Quando o sinalizador luminoso verde (62) se apaga e se acendem em sequência os sinalizadores luminosos amarelo (63) e vermelho (64), é necessário efectuar o carregamento da bateria dado que a autonomia residual de funcionamento atingiu o nível mínimo.



ADVERTÊNCIA!

Não utilize a máquina com as baterias descarregadas para não danificar as baterias e reduzir a vida útil das mesmas.

Regulação da velocidade de avanço da máquina

5. A velocidade de avanço da máquina varia em função do tipo de piso a limpar e da selecção de utilização da escova ou do feltro. Se for necessário, é possível regular a velocidade de avanço efectuando o procedimento correspondente indicado no capítulo Manutenção.

TRANSPORTE/ESTACIONAMENTO DA MÁQUINA

Para o transporte/estacionamento da máquina, siga as seguintes indicações.

1. Coloque os interruptores da escova/porta-feltro e do sistema de aspiração (65 e 66) na posição "0".
2. Levante o limpador com a alavanca (19).
3. Segure o guidador (2) e baixe-o ligeiramente até que a roda posterior (7) esteja em contacto com o pavimento (Fig. 4). Com a máquina nesta posição, empurre-a para o local de transporte/estacionamento.
4. Depois de concluir o trabalho, para não arrastar a escova/feltro no piso e deixar marcas molhadas, é recomendado que a retire da cabeça do dispositivo de engate (para o procedimento, ver o parágrafo Após a utilização da máquina), depois coloque-a no suporte (43).

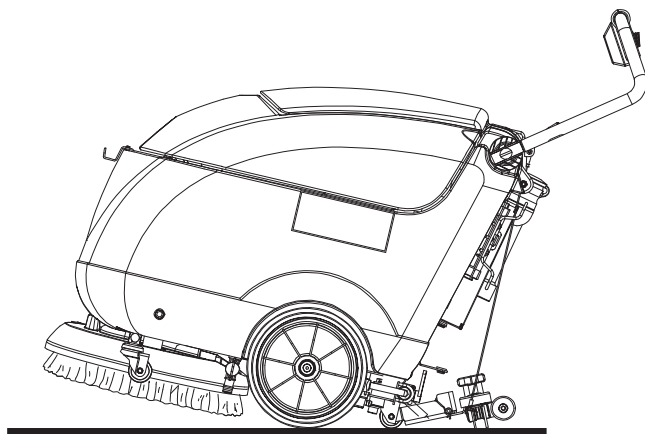


Figura 4

S310229A

ESVAZIAMENTO DO RESERVATÓRIO

Um sistema de fecho automático com bóia (46) bloqueia o sistema de aspiração quando o reservatório da água de recuperação (31) está cheio.

O bloqueio do sistema de aspiração, causado pelo facto do reservatório da água de recuperação estar cheio, é assinalado através de um aumento dos ruídos do motor de aspiração, além disso o piso deixe de ser secado.



ADVERTÊNCIA!

Caso o sistema de aspiração se desligar por razões acidentais (por exemplo devido à intervenção prematura do bóia durante a deslocação brusca da máquina), para restabelecer o funcionamento, desligue-o pressionando o interruptor (66) e, em seguida, abra a tampa (6) e certifique-se de que o bóia no interior da grelha (46) tenha descido até ao nível da água; por último, feche a tampa (6) e volte a ligar o sistema de aspiração pressionando o interruptor (66).

Quando o reservatório da água de recuperação (31) estiver cheio, efectue ao respectivo esvaziamento operando como previsto a seguir.

Esvaziamento do reservatório da água de recuperação

1. Pare a máquina através dos interruptores da escova/feltro e da aspiração (65 e 66).
2. Levante o limpador com a alavanca (19).
3. Leve a máquina para a zona de despejo designada.
4. Levante a escova/feltro accionando (23a) o dispositivo de transporte/estacionamento da máquina depois de ter accionado a engate de posicionamento (24).
5. Esvazie o reservatório da água de recuperação com o tubo de esvaziamento (16). No fim da utilização, lave o reservatório com água limpa.

Esvaziamento do reservatório da solução detergente

6. Execute os pontos anteriores de 1 a 4.
7. Esvazie o reservatório da solução detergente através da válvula de descarga (18). No fim da utilização, lave o reservatório com água limpa.

APÓS UTILIZAÇÃO DA MÁQUINA

No fim do serviço, antes de abandonar a máquina:

1. Desengate a escova/porta-feltro do seguinte modo:
 - Com a escova/porta-feltro levantado, coloque o interruptor da escova/porta-feltro (65) na posição "I" e, após alguns segundos, volte a colocá-lo na posição "0", deste modo desengata a escova/porta-feltro.
2. Esvazie os reservatórios (31 e 32), operando como indicado no parágrafo anterior.
3. Efectue as operações de manutenção previstas após a utilização da máquina (ver o capítulo Manutenção).
4. Conserve a máquina num local seco e limpo, com a escova/feltro e o limpador na posição erguida ou desmontados.

REMOÇÃO DO RESERVATÓRIO DA ÁGUA DE RECUPERAÇÃO

Para poder controlar ou recarregar as baterias ou para outras intervenções, pode ser necessário retirar o reservatório da água de recuperação (31); o respectivo procedimento é indicado a seguir.

1. Esvazie o reservatório da água de recuperação (31) operando como indicado no parágrafo específico.
2. Coloque a máquina num pavimento plano.
3. Controle se os interruptores (65 e 66) estão na posição "0".
4. Desligue o tubo de aspiração (22) do limpador (11).
5. Desligue o tubo de descarga da água de recuperação (16) do suporte (17).
6. Abra a tampa (6).
7. Agarre o reservatório da água de recuperação (A, Fig. 5) pela zona (B) e levante-o ligeiramente.
8. Desligue o tubo da aspiração (C) do reservatório, depois retire o reservatório (A) com os tubos (D) e (E).

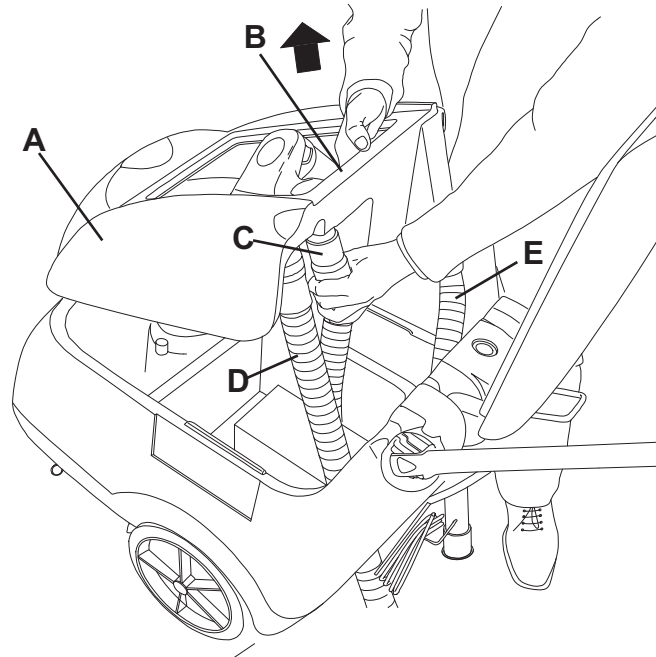


Figura 5

S310233A

INACTIVIDADE PROLONGADA DA MÁQUINA

Caso preveja não utilizar a máquina por mais de 30 dias, é oportuno executar as seguintes operações:

1. Execute as operações descritas no parágrafo Após utilização da máquina.
2. Desligue os terminais negativos das baterias (50), depois de ter retirado o reservatório da água de recuperação (31) de acordo com as indicações do parágrafo anterior.
3. Volte a colocar o reservatório da água de recuperação (A).
4. Conserve a máquina num local limpo e seco.

PRIMEIRO PERÍODO DE UTILIZAÇÃO

Depois do primeiro período de utilização (primeiras 8 horas) é necessário controlar o aperto correcto dos órgãos de fixação e de ligação da máquina. Controle se as partes visíveis estejam intactas e não apresentam fugas.

MANUTENÇÃO

O tempo de vida da máquina e sua segurança de funcionamento são garantidos por uma manutenção cuidadosa e regular. Encontra-se indicado a seguir uma síntese do plano de manutenção programada. As periodicidades indicadas podem sofrer variações em função de condições especiais de trabalho, a serem definidas por parte do responsável da manutenção.



ATENÇÃO!

As operações de manutenção devem ser efectuadas com a máquina parada, com as bateria desligadas e com o cabo eléctrico de carregamento da bateria desligado.

Além disso, leia cuidadosamente todas as instruções do capítulo Segurança.

Todas as operações de manutenção programadas ou extraordinárias devem ser efectuadas por pessoal qualificado ou por um centro de assistência autorizado. Neste manual estão indicados somente os procedimentos de manutenção mais simples e mais frequentes.



NOTA

Para os procedimentos das outras operações de manutenção previstas pelo diagrama de manutenção programada, ver a publicação específica Manual de oficina, existente nos vários Centros de assistência.

PLANO DE MANUTENÇÃO PROGRAMADA

Operação	Diária ou após a utilização da máquina	Semanal	Semestral	Anual
Limpeza do limpador				
Limpeza da escova				
Limpeza do reservatório e grelha de aspiração				
Controlo e substituição da borracha do limpador				
Limpeza do filtro da solução detergente				
Carregador de baterias				
Controlo do aperto das porcas e parafusos			(1)	
Controlo e substituição dos carvões do motor da escova				(2)
Controlo e substituição dos carvões do motor de aspiração				(2)

(1) e após as primeiras 8 horas de trabalho

(2) para estas manutenções dirija-se a um Centro de assistência autorizado Advance.

LIMPEZA DO LIMPADOR



NOTA

Para obter uma boa secagem, o limpador deve estar limpo e com as borrachas em boas condições.



ATENÇÃO!

Durante a limpeza do limpador aconselha-se o uso de luvas de trabalho devido à possível presença de detritos cortantes.

1. Coloque a máquina num pavimento plano.
2. Controle se os interruptores (65 e 66) estão na posição "0".
3. Baixe o limpador com a alavanca (19).
4. Desligue o tubo de aspiração (22) do limpador.
5. Solte os volantes (12) e remova o limpador (11).
6. Lave e limpe o limpador; em particular limpar as sujidades e dos detritos dos compartimentos de transporte (A, Fig. 6) e dos orifícios de aspiração (B).
7. Verifique que a borracha dianteira (C) e a borracha traseira (D) estejam em bom estado e não apresentam cortes ou golpes, caso contrário deve substituí-las (veja o procedimento no parágrafo seguinte).
8. Remonte as partes retiradas na ordem inversa em relação à desmontagem.

CONTROLO E SUBSTITUIÇÃO DAS BORRACHAS DO LIMPADOR

1. Limpe o limpador como descrito no parágrafo anterior.
2. Controle que as bordas da borracha dianteira (E, Fig. 6) e da borracha traseira (I) apoiem ao mesmo tempo num plano, em toda sua extensão, caso contrário regulá-las na altura como descrito a seguir:
 - regule a borracha dianteira (C) e a borracha traseira (D) depois de ter retirado as molas de fixação (F);
 - volte a colocar as molas de fixação nas borrachas dianteira e traseira com a regulação correcta.
3. Verifique que a borracha dianteira (C) e a borracha traseira (D) estão em bom estado e não apresentam cortes ou golpes, caso contrário deve substituí-las, como descrito a seguir. Controle também que a borracha traseira não tem a aresta dianteira (H) gasta; caso contrário, vire a própria borracha, de modo a trocar uma aresta pela outra (G) se esta ainda estiver em bom estado. Se o outra aresta estiver gasta, substitua a borracha, do seguinte modo:
 - substitua (ou troque) a borracha traseira (D) depois de ter retirado as molas de fixação (F);
 - volte a colocar as molas de fixação nas borrachas dianteira e traseira com a regulação correcta.
4. Monte o limpador (11) e aperte os volantes (12).
5. Ligue o tubo de aspiração (22) ao limpador (11).

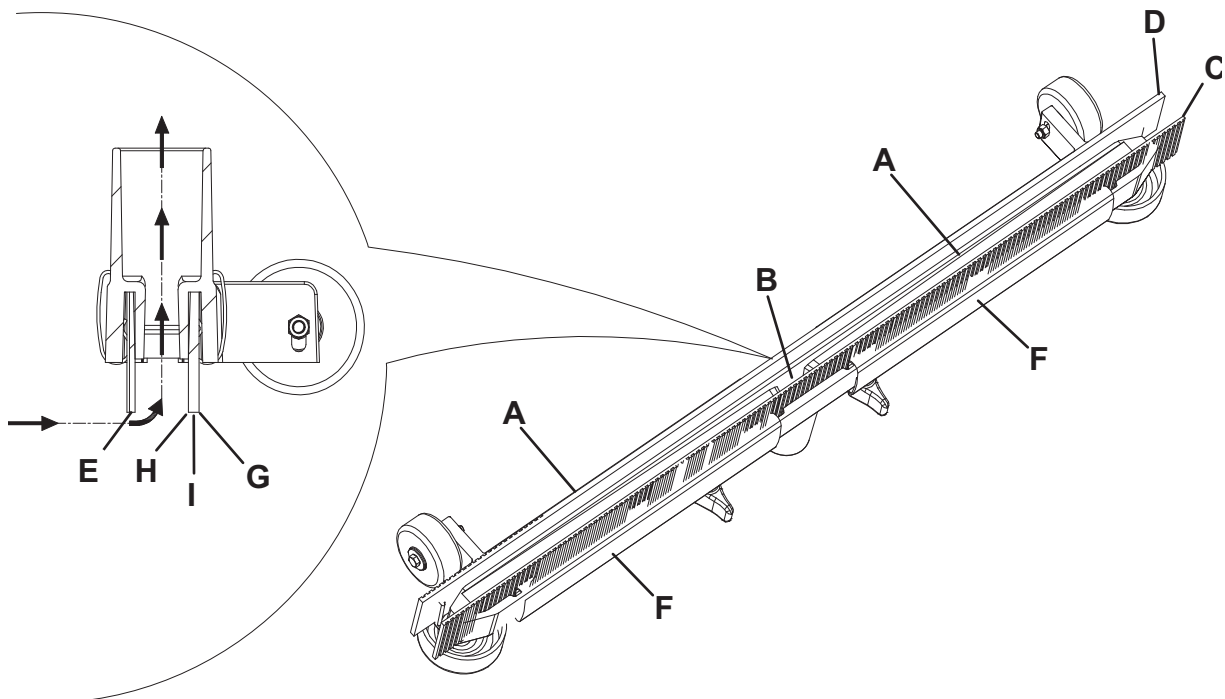


Figura 6

S310230A

LIMPEZA DA ESCOVA**NOTA**

Durante a limpeza da escova, aconselha-se o uso de luvas de trabalho devido à possível presença de detritos cortantes.

1. Retire a escova da máquina como previsto no capítulo Utilização.
2. Limpe e lave a escova com água e solução detergente.
3. Controle que as cerdas da escova estejam íntegras e não excessivamente desgastadas, caso contrário substitua-a.

LIMPEZA DOS RESERVATÓRIOS E DA GRELHA DE ASPIRAÇÃO

1. Leve a máquina para a zona de despejo designada.
2. Controle se os interruptores (65 e 66) estão na posição "0".
3. Abra a tampa (6), limpe e lave a tampa, os reservatórios (31 e 32) e a grelha de aspiração (46) com água limpa. Descarregue a água dos reservatórios através dos tubos de descarga (16) e a válvula (18).
4. Se for necessário, desengate as fixações (B, Fig. 7), abra a grelha de aspiração (A), retire a bóia (C), limpe-os com cuidado e volte a instalá-los.
5. Verifique o estado da junta (D) da tampa do reservatório da água de recuperação.

**NOTA**

A junta (D) permite a formação de depressão no reservatório, necessária para a aspiração da água de recuperação.

Se for necessário, substitua a junta de vedação (D) depois de a ter retirado da sede (E). Durante a montagem da nova junta de vedação, coloque a junta (F) na zona central indicada na figura.

6. Verifique que também toda a superfície no perímetro (G) de apoio da junta (D) esteja em bom estado e adequada para a vedação da própria junta.
7. Controle se o furo de compensação (33) não está obstruído.

**NOTA**

O furo (33), permitindo a compensação de ar entre as paredes da tampa, contribui para a formação de depressão no reservatório da água de recuperação.

8. Feche a tampa do reservatório de água de recuperação (6).

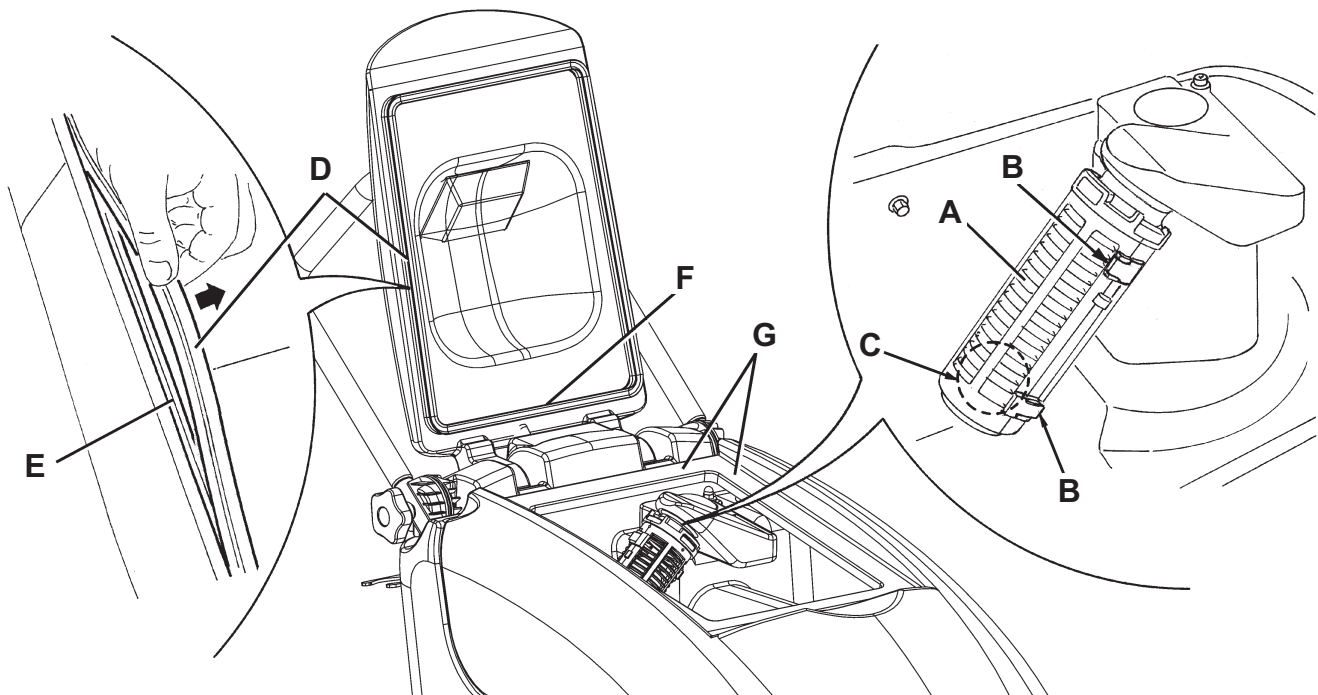


Figura 7

S310231B

LIMPEZA DO FILTRO DA SOLUÇÃO DETERGENTE

1. Esvazie o reservatório da solução de detergente (32) operando como indicado no paragrafo específico.
2. Coloque a máquina num pavimento plano.
3. Controle se os interruptores (65 e 66) estão na posição "0".
4. Aparafuse a tampa transparente (A, Fig. 8) e retire a rede filtrante (B); limpe-a e volte a montá-la no suporte (C).



NOTA

Posicione correctamente a rede filtrante (B) na sede (D) do suporte (C).

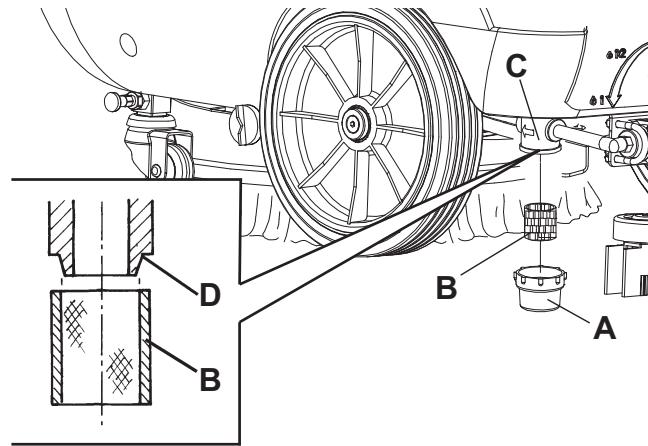


Figura 8

S310232A

REGULAÇÃO DA VELOCIDADE DE AVANÇO DA MÁQUINA



NOTA

A velocidade de avanço pode variar em função do tipo de piso a limpar e a escolha de utilizar a escova ou o feltro. É possível efectuar a respectiva regulação do seguinte modo.

1. Retire o reservatório da água de recuperação como indicado no capítulo "Utilização".
2. Efectue a regulação da velocidade de avanço da máquina através do parafuso (53) do seguinte modo:
 - Desaperte o parafuso (57) do lado direito da máquina, rodando-o no sentido contrário aos ponteiros do relógio.
 - Rode o parafuso de regulação (53) no sentido contrário aos ponteiros do relógio para aumentar a velocidade de avanço da máquina.
 - Rode o parafuso de regulação (53) no sentido dos ponteiros do relógio para diminuir a velocidade de avanço da máquina.
 - Terminada a regulação, aperte o parafuso (57).
3. Volte a instalar o reservatório da água de recuperação como indicado no capítulo Utilização.
4. Com a máquina pronta para funcionar, efectue as verificações práticas da máquina e, caso seja necessário, volte a repetir os pontos 1 a 4.

CARREGAMENTO DAS BATERIAS**NOTA**

Carregue as baterias quando o sinalizador luminoso (63 ou 64) se acende e, também no fim de cada trabalho. Manter as baterias carregadas aumenta a duração da vida útil das mesmas.

**ADVERTÊNCIA!**

Quando as baterias estão descarregadas, carregue logo que possível, dado que este estado provoca uma redução da vida das mesmas.

Controle a carga das baterias pelo menos uma vez por semana.

**ATENÇÃO!**

Carregue somente em áreas bem ventiladas e longe de chamas livres.

Não fume durante o carregamento das baterias.

Não volte instalar o reservatório da água de recuperação, até que o ciclo de carregamento das baterias esteja concluído.

1. Coloque a máquina num pavimento plano.
2. Ligue o cabo eléctrico (21) do carregador de bateria à rede eléctrica (a voltagem e a frequência de rede devem ser iguais aos valores correspondentes do carregador de bateria: ver o Manual do carregador de bateria).

**NOTA**

Quando o carregador de baterias está ligado à rede, todas as funções da máquina são excluídas automaticamente. O sinalizador verde (27) pisca quando o carregador de baterias está a recarregar as baterias.

3. Quando o sinalizador luminoso verde (27) fica aceso em fixo, o ciclo de carregamento das bateria está terminado.
4. Após o término do ciclo de carregamento, desligue o cabo eléctrico (21) do carregador de bateria da rede eléctrica e enrole-o à volta do seu alojamento na máquina.
5. A máquina está pronta a utilizar.
6. Agarre o reservatório da água de recuperação (A, Fig. 9) e instale-o na máquina operando como indicado. Ligue o tubo de aspiração (C) ao reservatório e baixe-o na posição original.
7. Ligue o tubo de aspiração (22) ao limpador (11).
8. Feche a tampa (6).

**NOTA**

Para maiores informações sobre o funcionamento do carregador de baterias (26), consulte o respectivo manual.

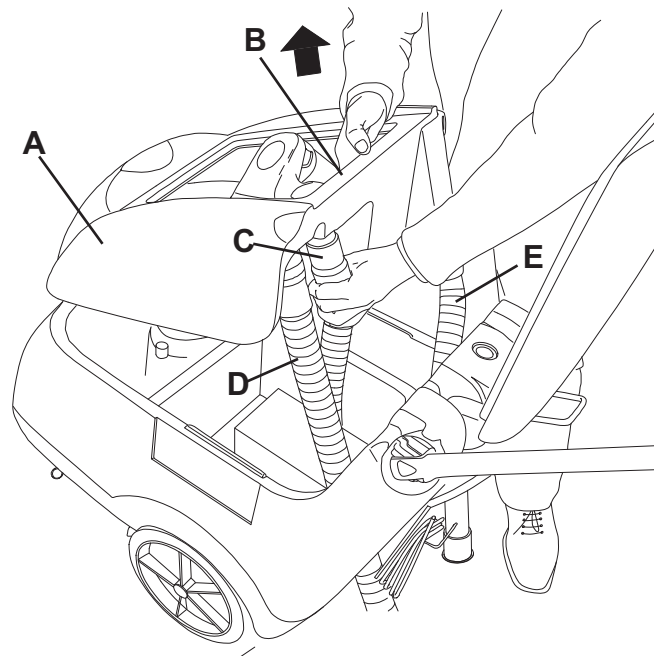
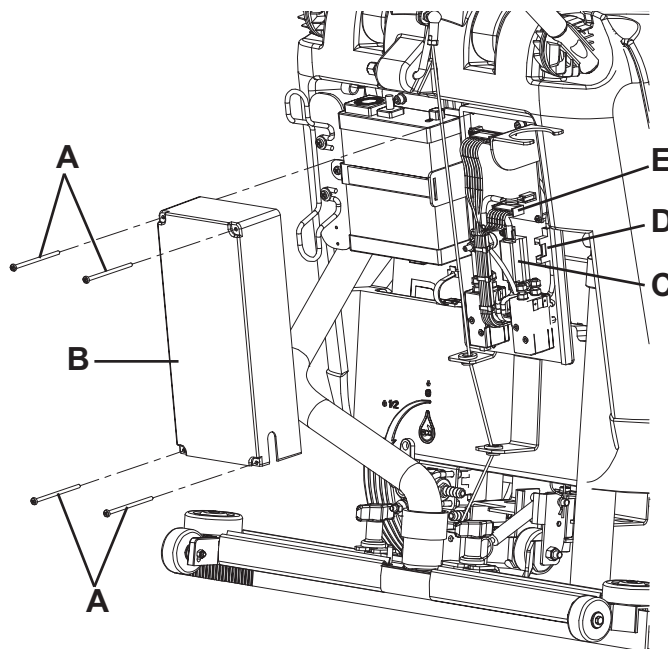


Figura 9

S310233A

CONTROLO / SUBSTITUIÇÃO DOS FUSÍVEIS

1. Retire o reservatório da água de recuperação como indicado no capítulo “Utilização”.
2. Desligue os terminais negativos das baterias (50).
3. Retire os parafusos (A, Fig. 10) e retire a tampa (B) da caixa dos componentes eléctricos.
4. Controlar / substituir os fusíveis:
 - Escova (40 A) (C)
 - Sistema de aspiração (40 A) (D)
 - Electroválvula e placa electrónica (5 A) (E)
5. Remonte os componentes retirados na ordem inversa em relação à desmontagem.

**Figura 10**

S310234A

RESOLUÇÃO DE PROBLEMAS

Problema	Causa provável	Solução
O motor não arranca; nenhum sinal luminoso aceso	Terminais baterias (50) desligados	Ligue
	Baterias (50) completamente descarregadas	Carregue
Os sinalizadores luminosos (62, 63, 64) piscam ao mesmo tempo	Sobrecarga dos motores das escovas	Utilize uma escova menos agressiva ou de tipo diferente
	Presença de corpos estranhos (fios presos, etc.) que podem parar a rotação da escova	Limpar o cubo da escova
O motor de aspiração não arranca	Fusível queimado	Substituir
Insuficiente aspiração da água suja	Reservatório da água de recuperação (31) cheio	Esvazie
	Grelha de aspiração (46) entupida ou bóia presa no fecho	Limpe a grelha e controle a bóia
	Tubo de aspiração (22) desligado do limpador (11) ou avariado	Ligue
	Limpador (11) sujo ou borrachas (13, 14) do limpador gastas ou danificadas	Limpe o limpador ou substitua as borrachas
	Tampa do reservatório da água de recuperação (6) mal fechada ou junta (42) danificada	Controle e/ou limpe a zona de contacto ou substitua a junta
	Reservatório da água de recuperação (31) sujo (obstrução do orifício de drenagem)	Limpe
Fluxo de solução detergente para a escova/filtro insuficiente	Filtro da solução de detergente (20) sujo	Limpe
Riscos causados pelo limpador	Presença de detritos por baixo das borrachas do limpador (13, 14)	Remova os detritos
	Borrachas do limpador (13, 14) gastas, lascadas ou com lacerações	Substitua as borrachas

Para mais informações, contacte os Centros de assistência da Advance, que possuem o Manual de assistência.

FIM DE VIDA

Proceda ao depósito da máquina junto de um demolidor autorizado.

Antes de proceder ao depósito da máquina, é necessário remover e separar os seguintes materiais e enviá-los para o sistema de recolha separada em conformidade com a norma ambiental em vigor:

- Bateria
- Escovas
- Tubos e peças em material plástico
- Partes eléctricas e electrónicas (*)

(*) Em particular, para o depósito das partes eléctricas e electrónicas, dirija-se à centro da Advance local.



Nilfisk-Advance, Inc.

14600 21st Avenue North
Plymouth, MN, 55447-3408
www.nilfisk-advance.com

Phone: 800-989-2235

Fax: 800-989-6566

©2008 Nilfisk-Advance, Inc.,
Plymouth, MN 55447-3408

Printed in Italy