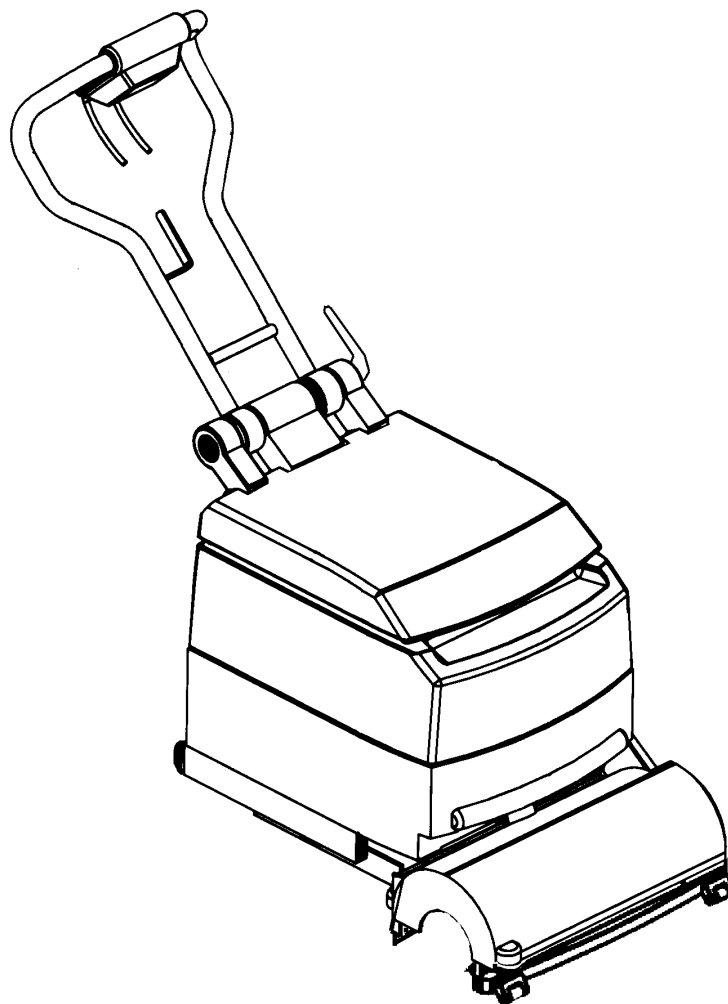
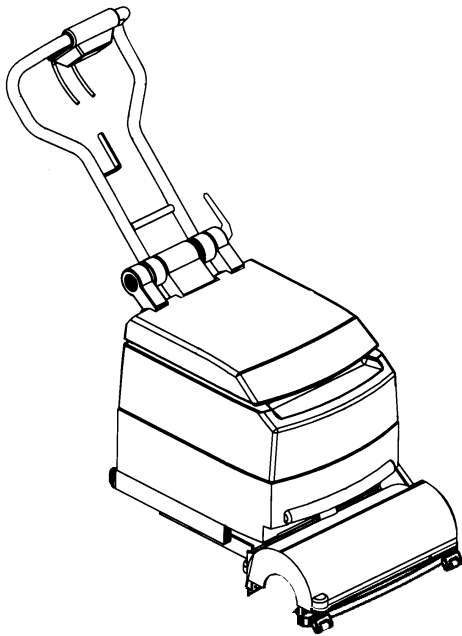


# MICROMATIC 14E

---



## Parts list



**GB**

**Page  
Seite  
Page**

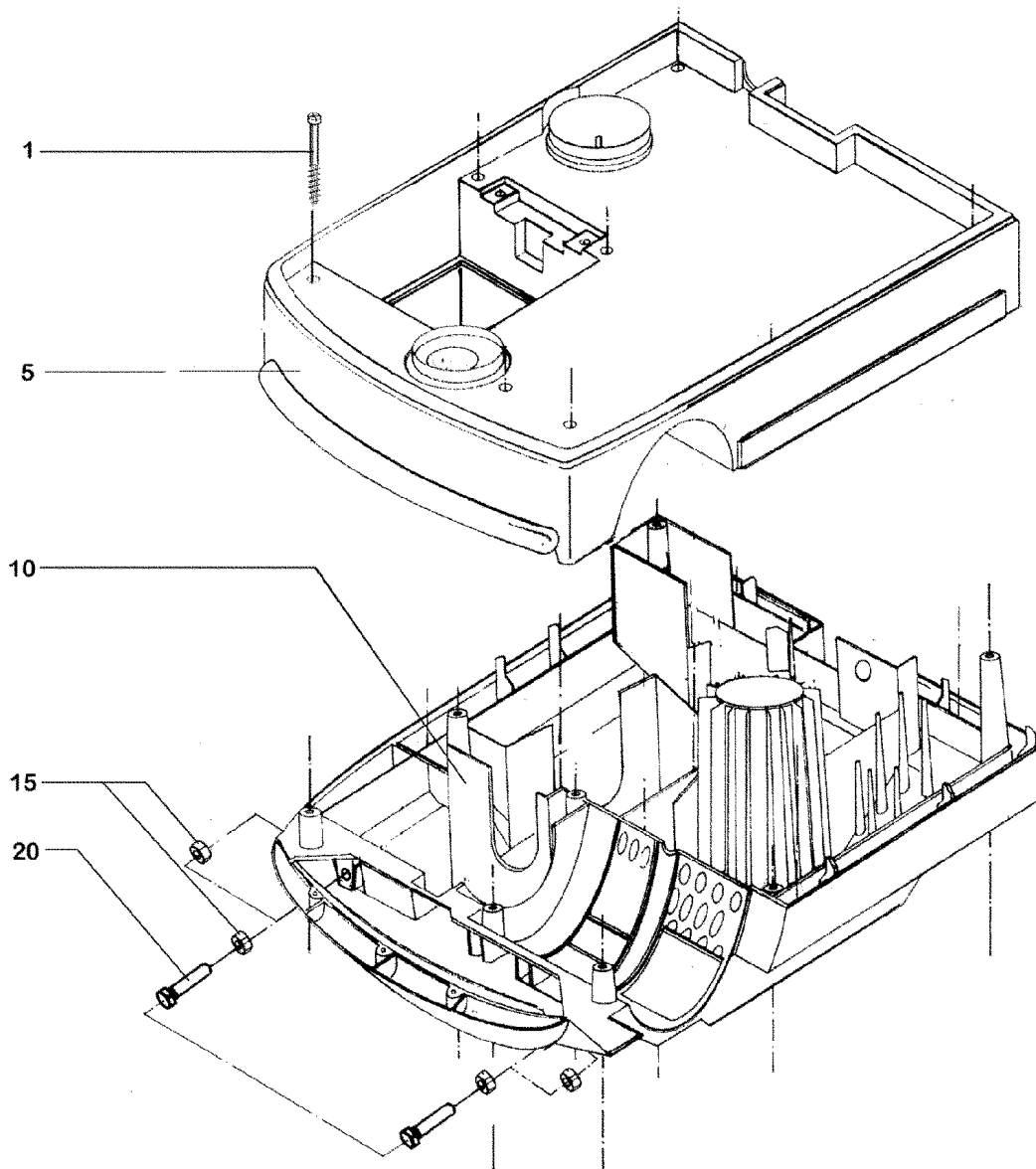
CHASSIS SYSTEM	2-3
TWO TANK VERSION	4-5
SOLUTION SYSTEM	6-7
BRUSH DRIVE SYSTEM	8-9
SQUEEGEE ASSEMBLY	10-11
VACUUM SYSTEM	12-13
FRAME SYSTEM	14-15
HANDLE BAR	16-17
WIRING SYSTEM 220V-60HZ	18-19
WIRING DIAGRAM 120V-60Hz	20
WIRING SYSTEM 230V-50HZ	21-22
WIRING DIAGRAM 120V-50Hz	23

= IDENTIFICATION OF NEW ITEM NUMBERS

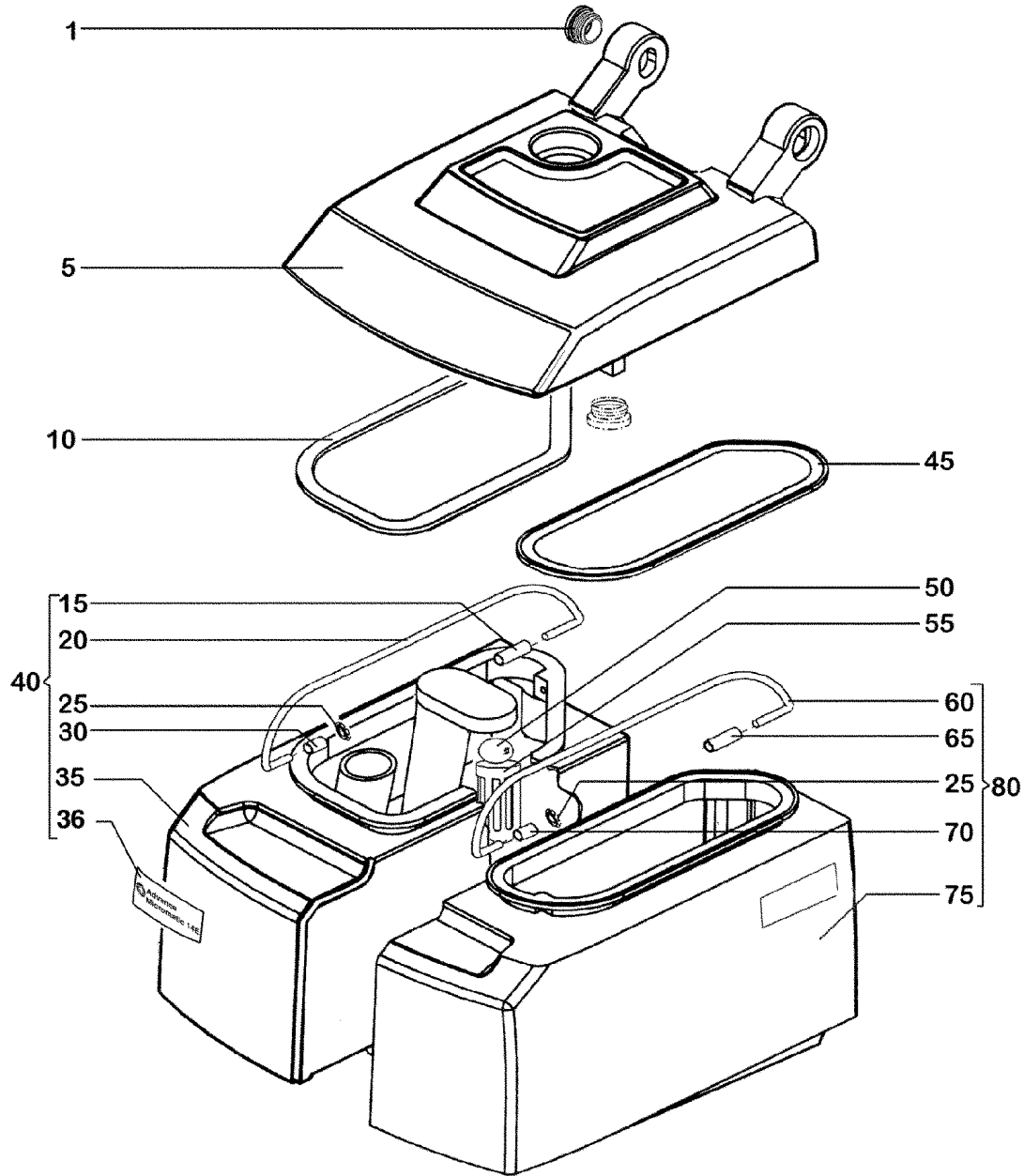
#### WHEN ORDERING PARTS

- Use the 8 digit numbers from the "Part No." columns in this parts list.
- Specify the model and serial number of the machine
- Use the space before to record the model and serial number for future reference.

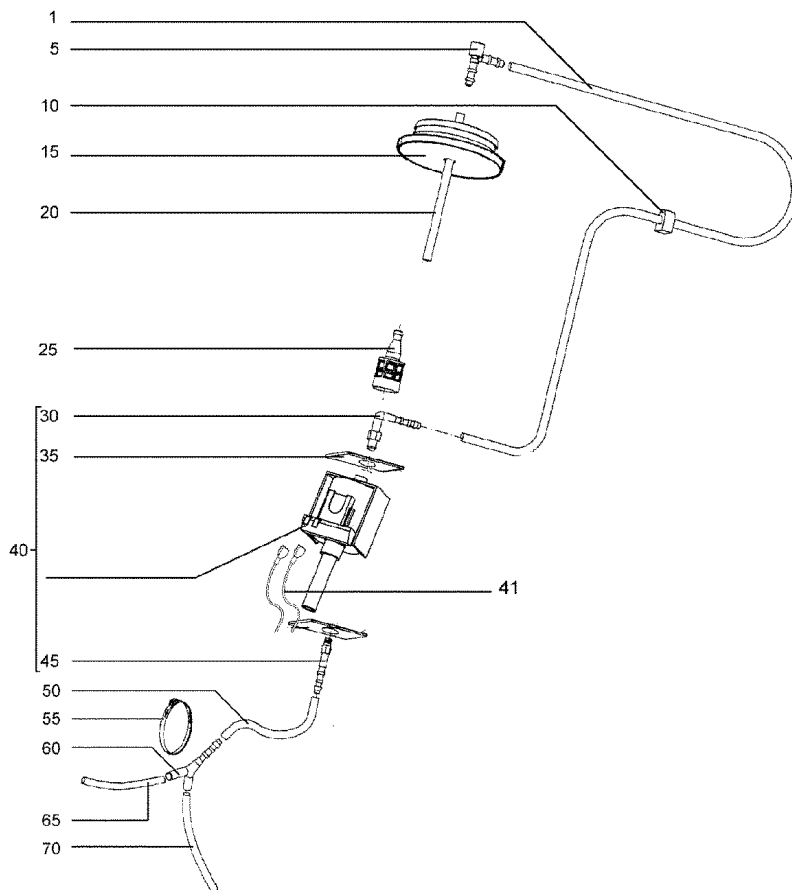
**MODEL** \_\_\_\_\_ **SERIAL No.** \_\_\_\_\_



Item	Ref.No.	Qty.	Description
1	340246	8	Screw
5	340124	1	Top chassis
10	340245	1	Bottom chassis
15	003352	4	Hexagonal nut
20	003353	2	Hexagonal head screw



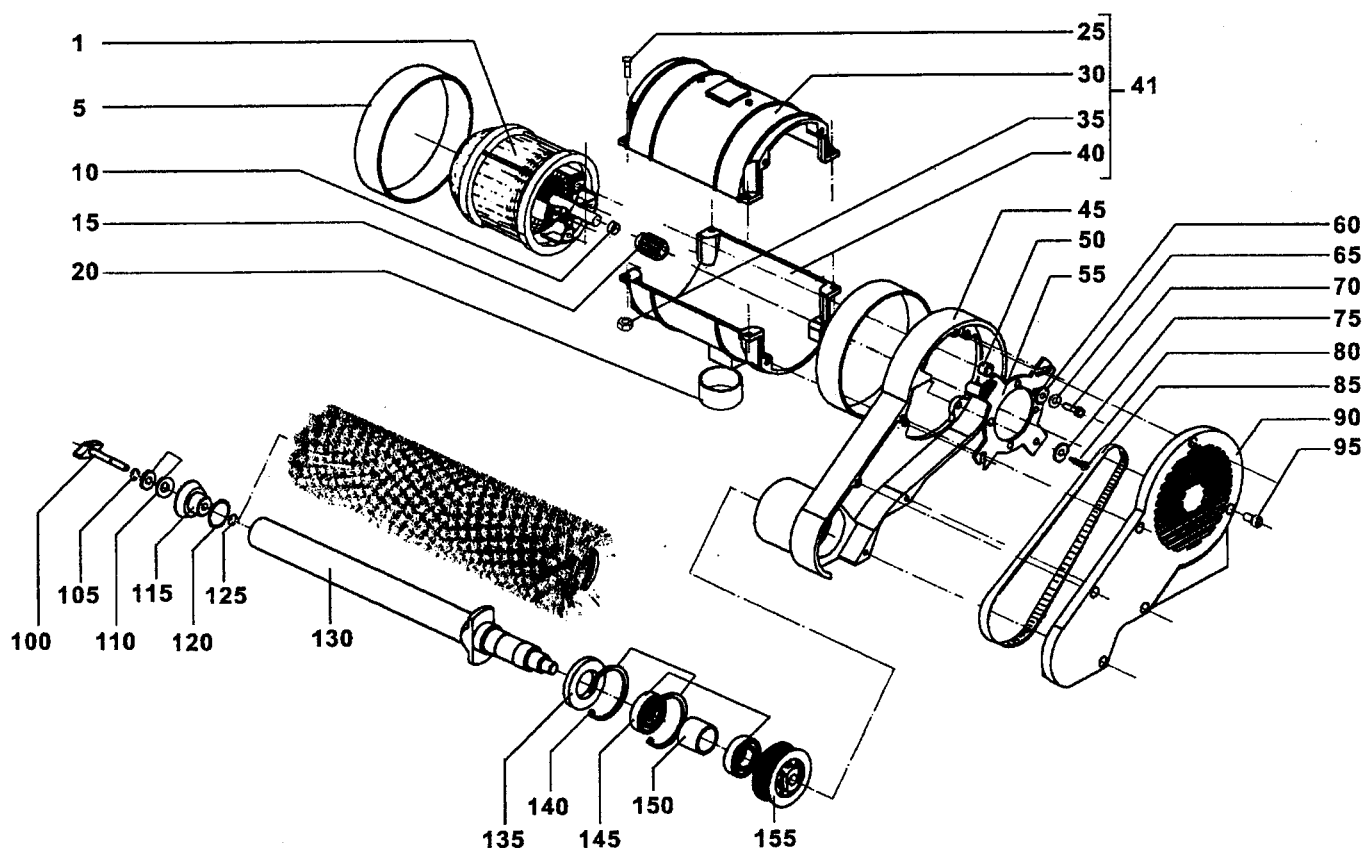
Item	Ref.No.	Qty.	Description
1	340036	1	Plug
#5	603084	1	Lid
10	340038	1	Seal, recovery tank
15	340039	1	Sleeve, long 32mm
20	340040	1	Grip, recovery tank
25	340052	4	Sprocket washer
30	340244	1	Sleeve, short 14mm
35	340042	1	Recovery tank
36	016333	1	Foil
40	340043	1	Recovery tank cpl
45	340044	1	Seal, solution tank
50	340050	1	Ball,float
55	340051	1	Cage, float
60	340045	1	Grip, solution tank
65	340047	1	Sleeve, long 19mm
70	340244	1	Sleeve, short 14mm
75	340048	1	Solution tank
76	015932	1	Foil
80	340049	1	Solution tank cpl



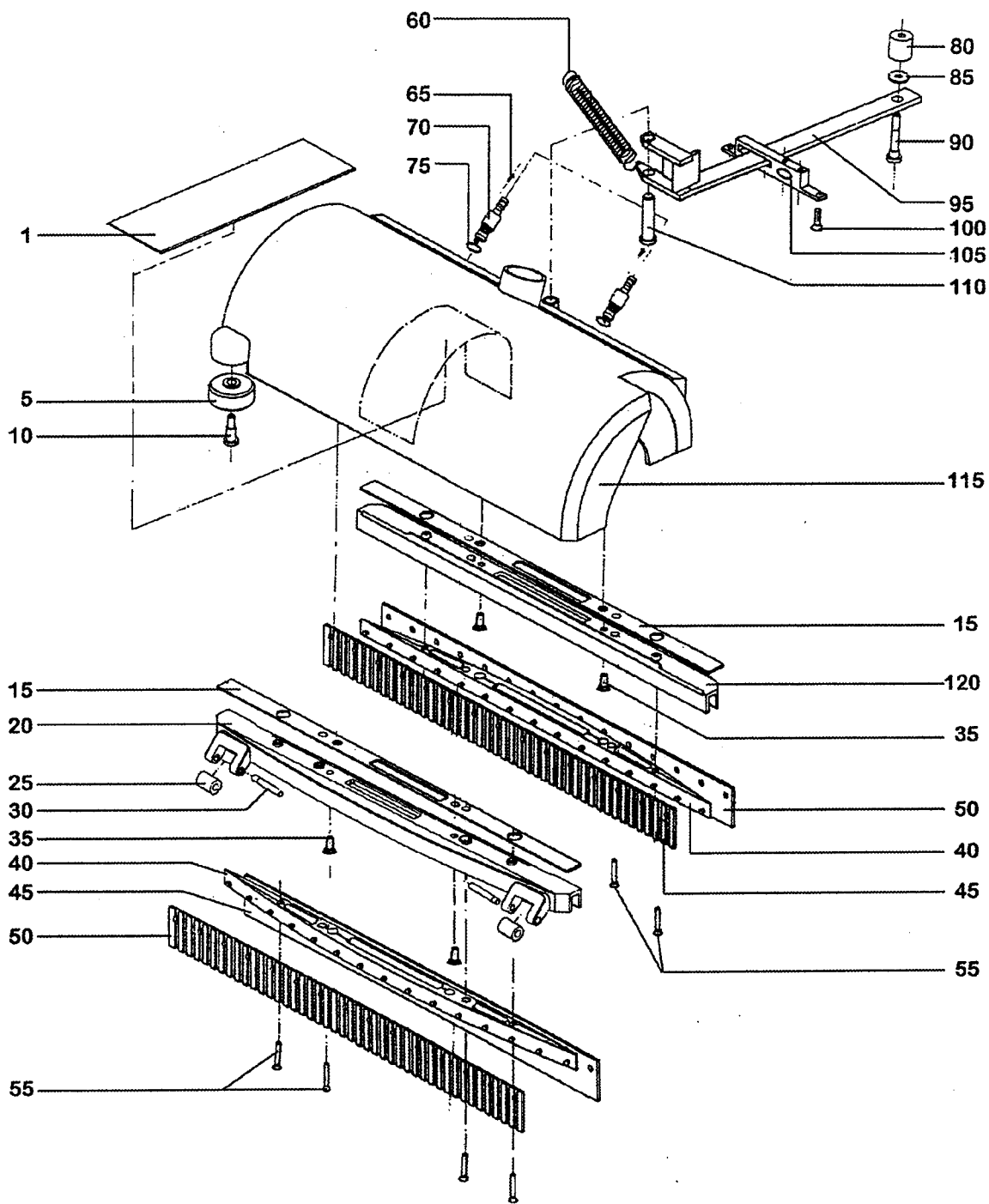
Item	Ref.No.	Qty.	Description
1	340243	1	Hose, PVC
5	340177	1	L-connection
10	340178	1	Rubber socket
15	340179	1	Plug with hole
20	340180	1	Hose
25	340181	1	Filter
30	340242	1	L-connection
35	340191	2	Insulation
40*	340554	1	Pump-C.E.M.E- 120V/ 60+50Hz cpl.
40	340555	1	Pump-C.E.M.E- 230V/50Hz
41	340556	2	Strand wire
45	340239	1	Tube
50	340185	1	Hose
55	340187	1	Clamp
60	340186	1	Y-piece
65	340188	1	Hose
70	340191	1	Hose

*Pump, cpl.	Pump C.E.M.E.	Part. No. 340241
	L-connection	Part. No. 340242
	Insulation board	Part. No. 340191
	Tube	Part. No. 340239
	Resistor cpl. 33 Ohm	Part. No. 340220 see page 21 Item 95



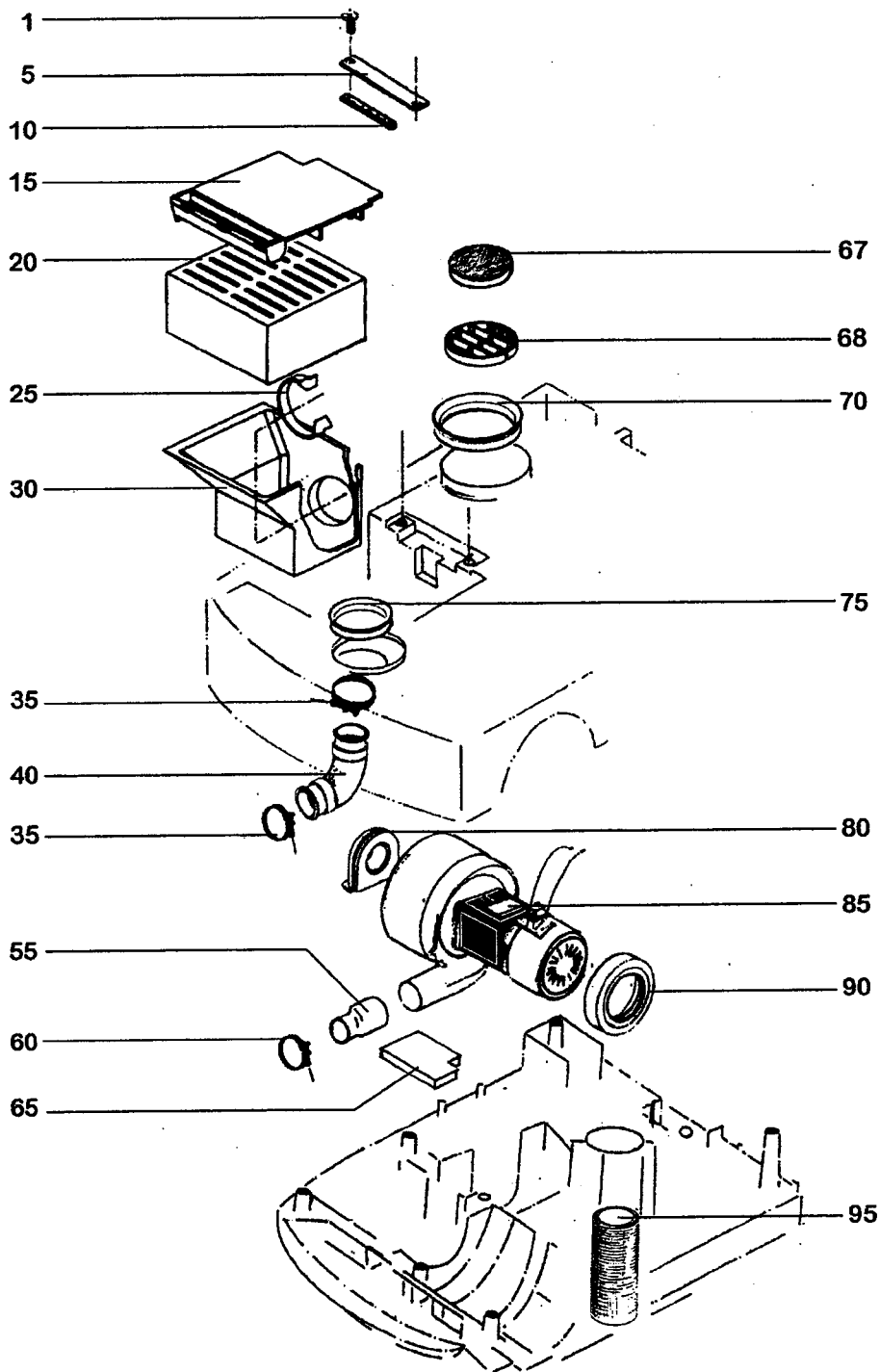


Item	Ref.No.	Qty.	Description
1	340152	1	Brush motor 120V / 50+60 Hz
1	340309	1	Brush motor 220-240V / 50+60 Hz
5	340153	2	Rubber Band
10	340166	1	Washer
15	340167	1	Motor pulley
20	340154	1	Rubber band
25	003365	4	Scr, Soc Hd M5x16
30	340168	1	Motor cover, top
35	003364	4	Hexagonal nut M5
40	340169	1	Motor cover, bottom
41	340151	1	Motor cover, cpl.
45	340557	1	Gear case
50	340171	4	Insulation covering
55	340172	1	Motor flange
60	340173	4	Insulation covering
65	003366	4	Washer, Flt 5.3
70	340237	4	Screw
75	003347	4	Washer, Flt 6.2
80	003368	4	Screw
85	340175	1	Drive belt
90	340236	1	Gear cover
95	003365	6	Screw
100	340156	1	Wing bolt cpl.
105	003347	1	Locking ring
110	340157	2	Rubber disc
115	340158	1	Compression ring
120	340150	1	O-Ring
125	340159	1	Locking washer
130	340160	1	Shaft
135	340161	1	Shaft seal
140	340162	2	Locking ring
145	340163	2	Ball bearing
150	340164	1	Distance sleeve
155	340165	1	Pulley drive shaft
-	340128	1	Brush, nylon, (STD)
-	340552	1	Brush, nylon, carbide 500 (OPT)
-	340551	1	Brush, nylon, carbide 320 (OPT)

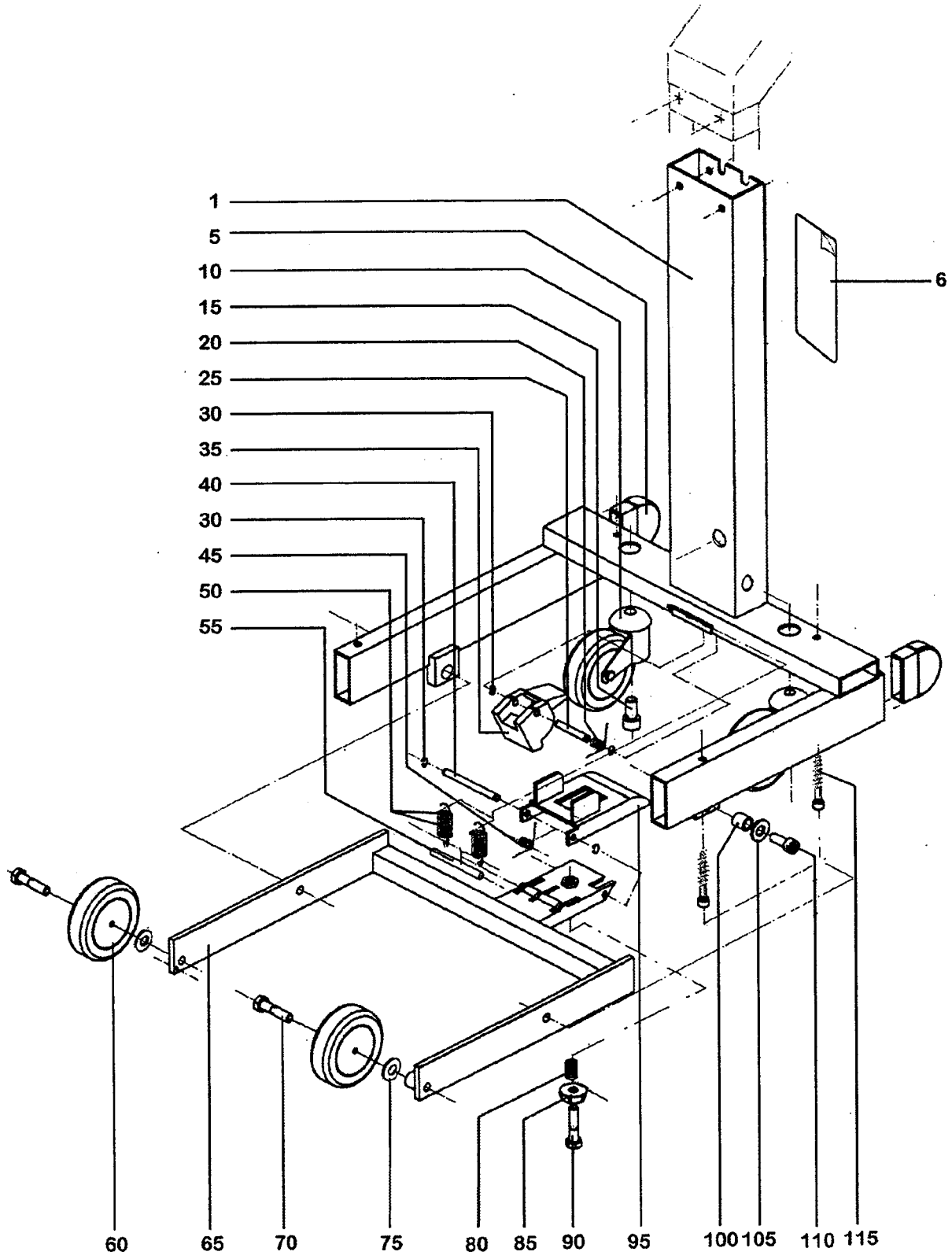


Item	Ref.No.	Qty.	Description
1	340060	1	Cover, suction cannal cannal
5	340061	2	Bumper roller
10	340062	2	Screw
15	340064	2	Seal, squeegee housing
20	340211	1	Squeegee housing
25	340210	2	Wheel
30	340558	2	Bolt
35	003385	4	Screw
40	340063	2	Retaining strip
45	340066	2	Squeegee inside
50	340067	2	Squeegee outside
55	003369	8	Screw
60	340054	1	Tension spring
65	340235	2	Screw
70	340559	2	Nozzle
75	340233	2	Seal
80	340070	1	Sleeve
85	003347	1	Washer
90	340074	1	Screw
95	340069	1	Linkage arm
100	340216	2	Screw
105	340232	1	Guide
110	340072	1	Bolt
#115	603728	1	Squeegee head
120	340067	1	Squeegee housing, rear

Squeegee housing front cpl. 340094 08603362  
 Squeegee housing, rear cpl. 340075 08603361

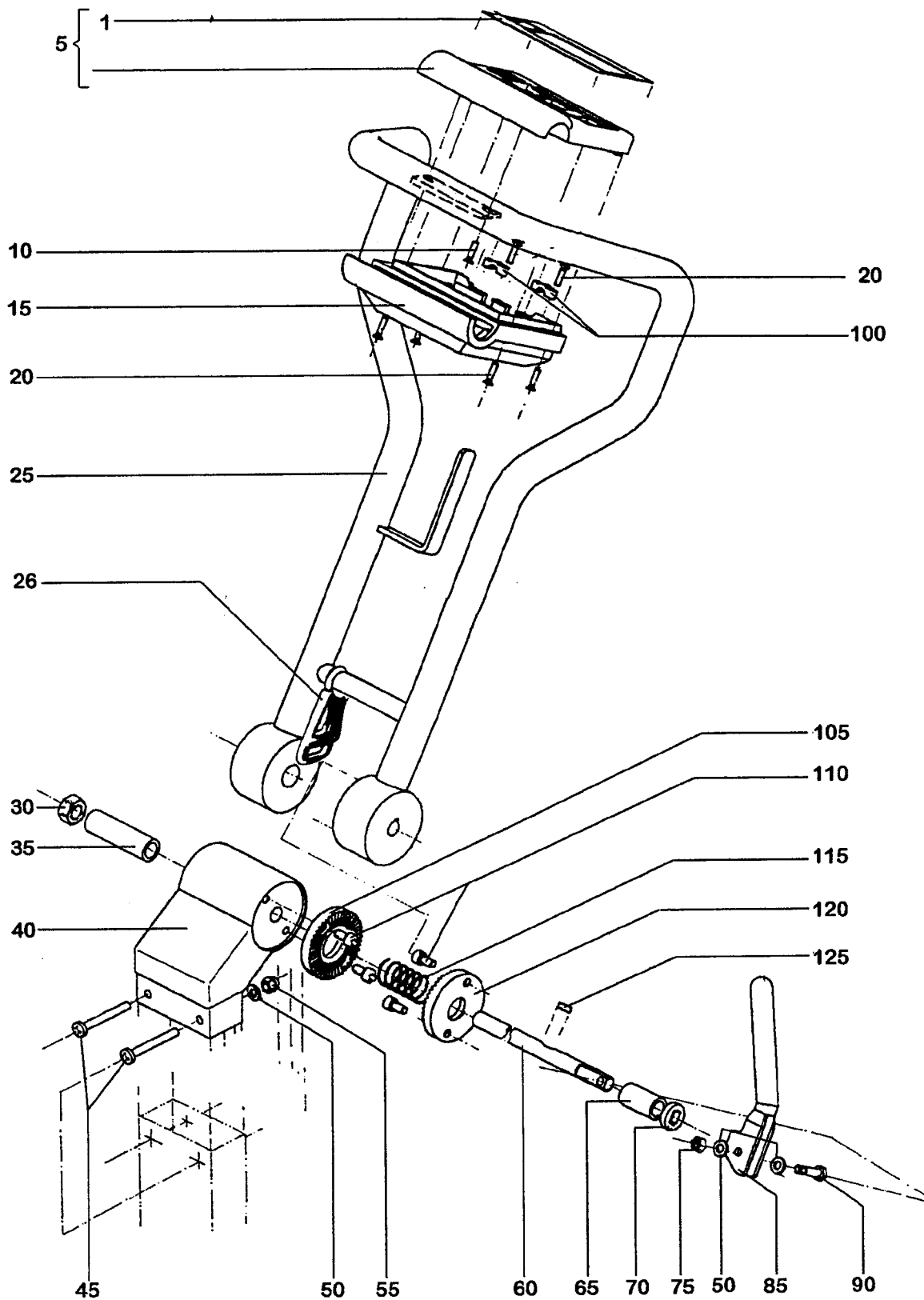


Item	Ref.No.	Qty.	Description
1	009236	2	Scr. Flt Phil Thd Form M5x20
5	340140	1	Strip
10	340141	1	Spring
15	340130	1	Filter cover
20	340131	1	Sound insulation, top
25	340132	1	Clamp collar
30	340133	1	Exhaust sound insulation Schall
35	340134	2	Hose clamp
40	340135	1	Suction hose
55	340137	1	Exhaust
60	340138	1	Hose clamp
65	340139	1	Bottom insulation
67	340142	1	Pre-filter, turbine
68	340143	1	Suction grate
70	340144	1	Seal, turbine inlet
75	340145	1	Seal, recovery tank inlet
80	340136	1	Seal
83	340231	1	Strand wire
85	340146	1	Turbine-120V/60Hz
85	340230	1	Turbine-220-240V/50+60Hz
90	340229	1	Seal
95	340148	1	Pre-filter, motor

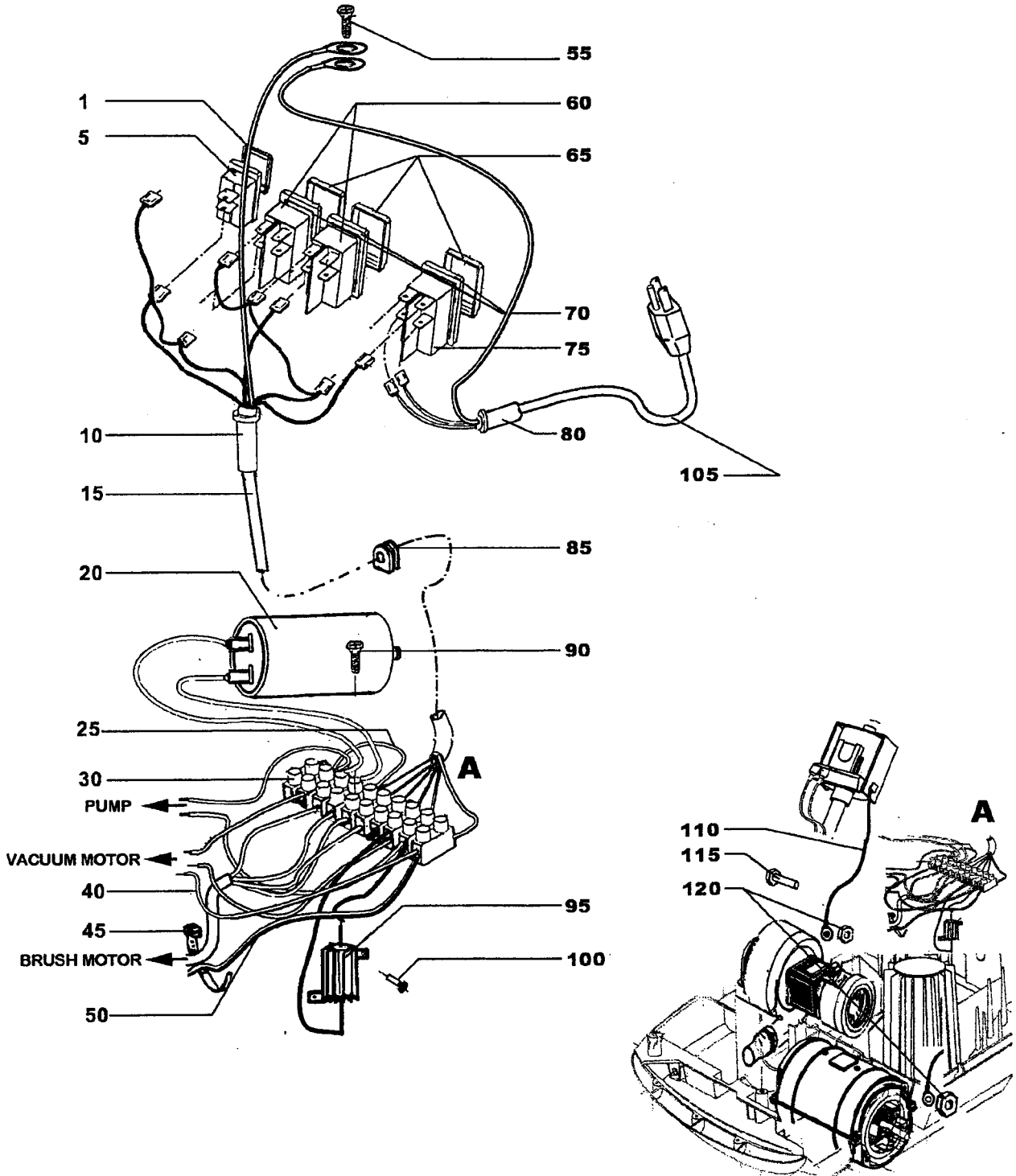


Item	Ref.No.	Qty.	Description
1	340104	1	Frame
5	340105	2	Plug
6	014828	1	Decal
10	340106	2	Guide wheel
15	003359	2	Cheese head screw M10x22
20	340107	1	Spring
25	340227	1	Bolt
30	340109	4	Locking washer, lifting
35	340228	1	Pedal, lifting
40	340561	1	Bolt
45	340113	1	Spring
50	340114	2	Tension spring
55	340115	1	Shaft
60	340116	2	Wheel, front
65	340117	1	Lifting frame
70	003361	2	Screw Hex M8x35
75	003362	2	Washer Flt 8
80	340118	1	Compression spring
85	340119	1	Adjustment nut
90	340226	1	Hexagon head nut
95	340225	1	Pedal, lowering
100	340122	2	Sleeve
105	003362	2	Washer
110	003363	2	Cheese head screw M8x20
115	340224	4	Screw

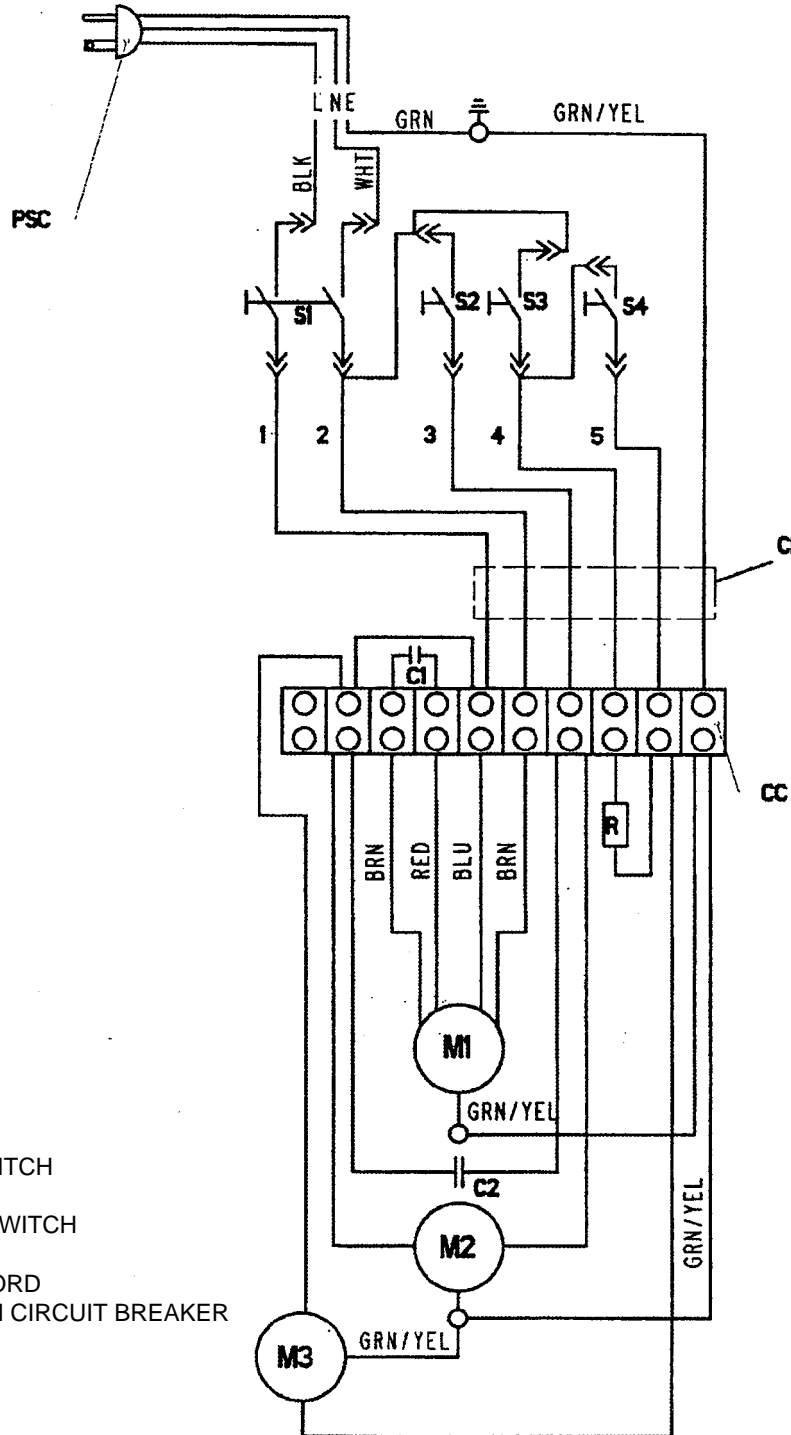




Item	Ref.No.	Qty.	Description
1	015931	1	Decal Display
5	340076	1	Housing with foil cpl.
10	003354	2	Screw
15	340077	1	Switch housing , rear
20	003356	8	Screw Pan Phil M3.5x16
25	340078	1	Handle bar
26	340079	1	Cable release
30	009233	1	Nut, Hex Prevaling Torq M12
35	340082	1	Distance sleeve
40	340080	1	Housing
45	003355	2	Screw Pan Phil M6x45
50	003347	4	Washer Fit 6.4
55	009234	2	Hex, Cap Nut M6
60	340086	1	Shaft
65	340091	1	Distance sleeve
70	340092	1	Pressure plate
75	009235	1	Locking nut
85	340088	1	Lever
90	003358	1	Screw Hex M6x25
100	340083	2	Clamp
105	340090	1	Ratchet disc
110	003357	4	Cheese head screw M6x12
115	340084	1	Compression spring
120	340085	1	Ratchet disc
125	340087	1	Key

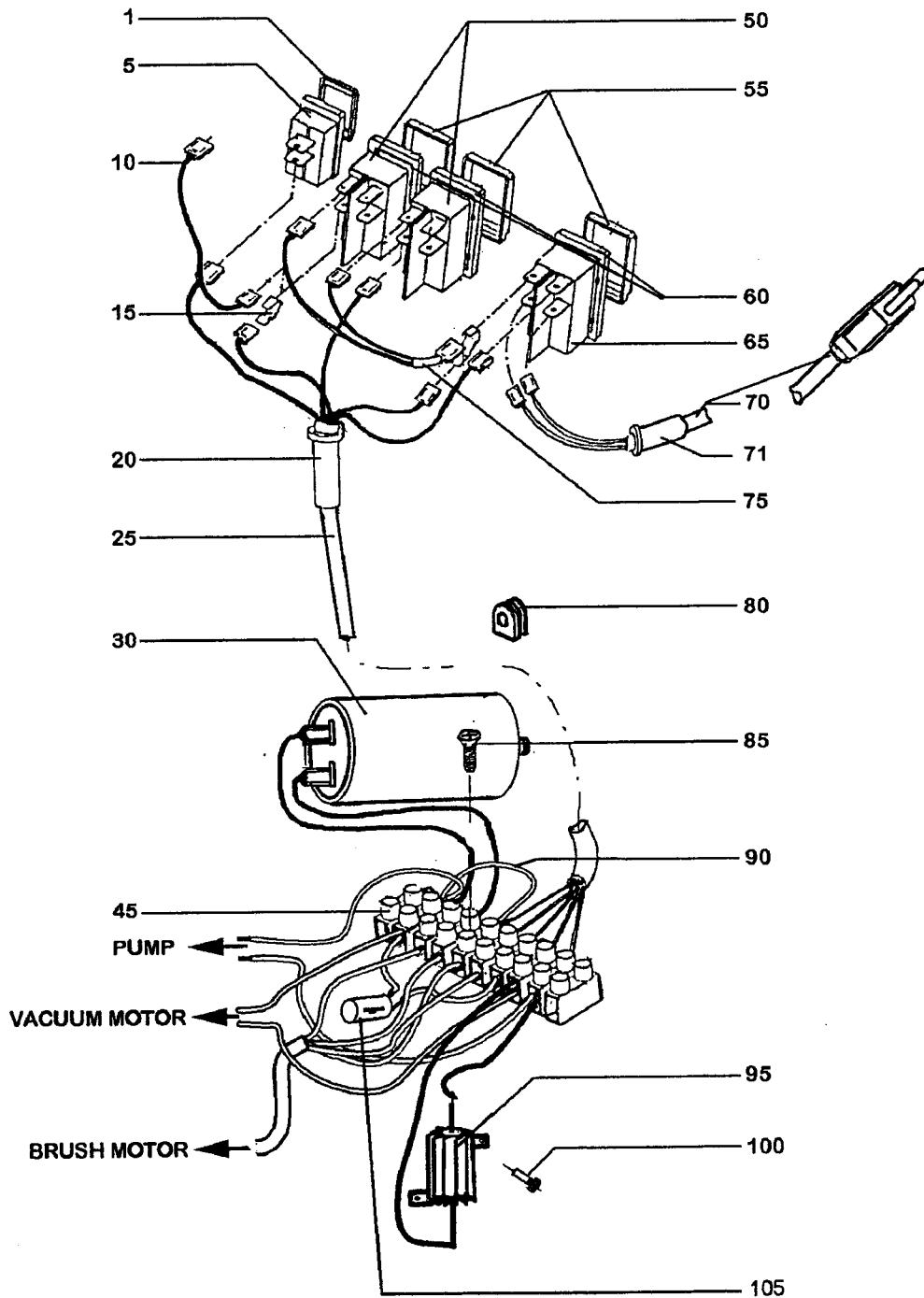


Item	Ref.No.	Qty.	Description
1	340012	1	Protection cap
5	340013	1	Switch (pump)
10	340205	1	Socket
15	340206	1	Internal cable cpl.
20	340017	1	Capacitor 40 $\mu$ F
25	340018	1	Strand wire
30	340020	1	Cable clamp
40	340193	1	Strand wire
45	340192	1	Clamp
50	340194	1	Strand wire
55	340562	1	Cheese Hd screw M4x5
60	340199	2	Switch
65	340011	3	Protection cap
70	340195	3	Frame
75	340197	1	Switch
80	340198	1	Socket
85	340209	2	Socket
90	009228	1	Scr, Pan Phil Tread Form M2.9x16
95	340220	1	Resistor cpl. 33 Ohm / 25W (C.E.M.E Pump)
100	340207	1	Self-tapping screw
105	340196	1	Power supply cable cpl.
110	340234	1	Strand wire – yellow/green
115	340563	1	Cheese Hd Scr. M4x16
120	003345	1	Nut, Hex SS M4

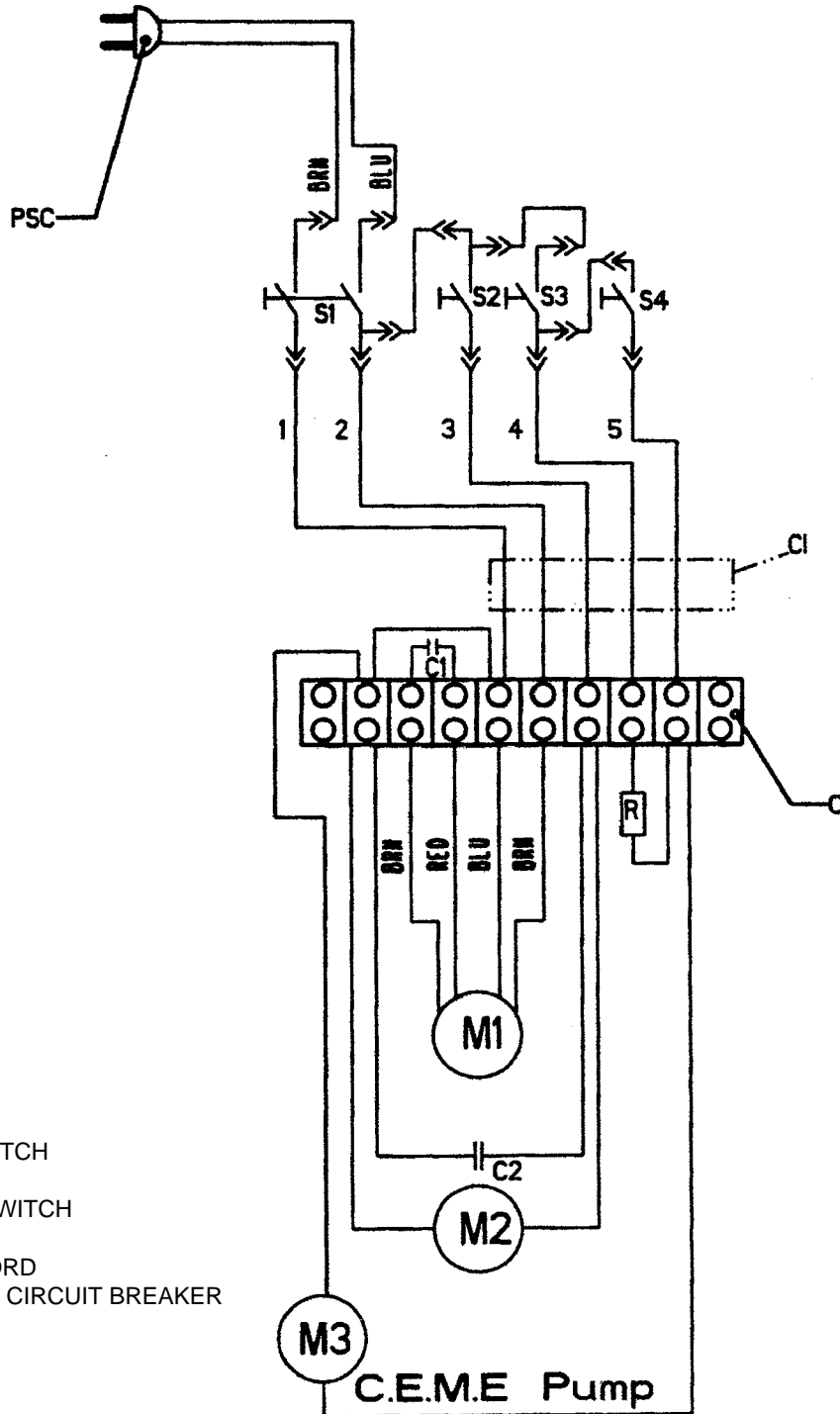


**120V/60Hz**

- CC= CABLE CLAMP
- S1= MAIN SWITCH
- S2= VACUUM MOTOR SWITCH
- S3= PUMP SWITCH
- S4= SOLUTION DOSING SWITCH
- C1= CABLE INTERNAL
- PSC= POWER SUPPLY CORD
- M1= BRUSH MOTOR WITH CIRCUIT BREAKER
- M2= VACUUM MOTOR
- M3= CEME PUMP
- R= RESISTOR
- C1= WORK CAPACITOR
- C2= SUPPRESSION FILTER



Item	Ref.No.	Qty.	Description
1	340012	1	Protection cap
5	340013	1	Switch (pump)
10	340014	1	Strand wire
15	340016	2	Canble eye
20	340205	1	Socket
25	340564	1	Internal cable cpl.
30	340310	1	Capacitor 40 $\mu$ F
45	340020	1	Cable clamp
50	340199	2	Switch
55	340011	3	Protection cap
60	340195	3	Frame
65	340197	1	Switch
70	340311	1	Power supply cable cpl.
71	340198	1	Socket
75	340015	1	Strand wire, set
80	340209	2	Socket
85	009228	1	Scr, Pan Phil Tread Form M2.9x16
90	340018	1	Strand wire
95	340565	1	Resistor cpl. 25W - 270Ohm (C.E.M.E) Pump)
100	340207	1	Self-tapping screw
105	340566	1	0.1 $\mu$ F Capacitor



**230V/50Hz**

- CC= CABLE CLAMP
- S1= MAIN SWITCH
- S2= VACUUM MOTOR SWITCH
- S3= PUMP SWITCH
- S4= SOLUTION DOSING SWITCH
- C1= CABLE INTERNAL
- PSC= POWER SUPPLY CORD
- M1= BRUSH MOTOR WITH CIRCUIT BREAKER
- M2= VACUUM MOTOR
- M3= PUMP
- R= RESISTOR
- C1= WORK CAPACITOR
- C2= SUPPRESSION FILTER





Nilfisk-Advance Italia S.p.A.  
Località Novella Terza  
26862 Guardamiglio (Lo)  
Tel.: +39 0377 414021  
Fax: +39 0377 51443