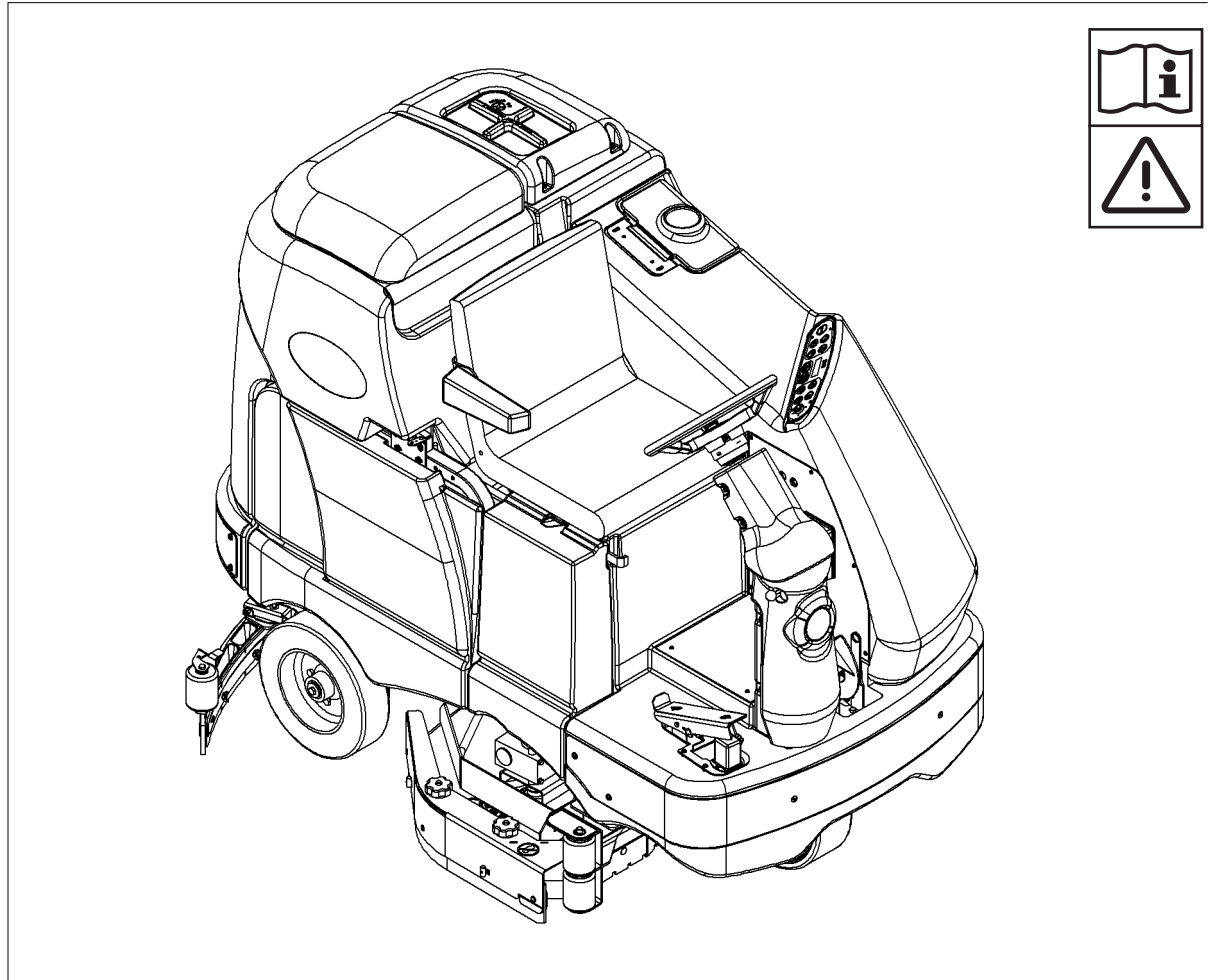


Condor, Condor EcoFlex™



Instructions For Use - Original Instructions

Instrucciones de uso - Instrucciones originales

Models:

56413000(4030D), 56413001(4030C / w/sweep system), 56413891(4030C / w/o sweep system)
56413002(4530D), 56413003(4530C / w/sweep system), 56413892(4530C / w/o sweep system)
56413004(4830D), 56413005(4830C / w/sweep system), 56413893(4830C / w/o sweep system)
56381032(X4030D), 56381033(X4030C / w/sweep system), 56381043(X4030C / w/o sweep system)
56381034(X4530D), 56381035(X4530C / w/sweep system), 56381044(X4530C / w/o sweep system)
56381036(X4830D), 56381037(X4830C / w/sweep system), 56381045(X4830C / w/o sweep system)



Advance

A-English
B-Español

TABLE OF CONTENTS

	page
Introduction.....	A-3
Cautions and Warnings	A-4
Consignes de prudence et de sécurité	A-5
Know Your Machine.....	A-6 – A-7
Control Panel.....	A-8
Prepare the Machine for Use	
Install the Batteries	A-9
Install the Brushes	A-10 – A-11
Fill the Solution Tank	A-12
Squeegee Installation	A-13
Detergent System.....	A-14 – A-15
Operating the Machine	A-16 – A-17
Scrubbing	A-16
Wet Vacuuming	A-16
After Use.....	A-18
Maintenance Schedule	A-18
Lubricating the Machine	A-18 – A-19
Charging the Batteries.....	A-20
Check the Battery Water Level.....	A-20
Squeegee Maintenance.....	A-21
Squeegee Adjustment	A-21
Side Skirt Maintenance.....	A-22 – A-23
Side Broom Maintenance	A-24
Troubleshooting.....	A-25
Technical Specifications	A-26

INTRODUCTION

This manual will help you get the most from your Advance Rider Scrubber. Read it thoroughly before operating the machine.

Note: Bold numbers in parentheses indicate an item illustrated on pages A-6 – A-8.

This product is intended for commercial use only.

PARTS AND SERVICE

Repairs, when required, should be performed by your Authorized Advance Service Center, who employs factory trained service personnel, and maintains an inventory of Advance original replacement parts and accessories.

Call the ADVANCE DEALER named below for repair parts or service. Please specify the Model and Serial Number when discussing your machine.

(Dealer, affix service sticker here.)

NAME PLATE

The Model Number and Serial Number of your machine are shown on the Nameplate on the machine. This information is needed when ordering repair parts for the machine. Use the space below to note the Model Number and Serial Number of your machine for future reference.

MODEL NUMBER _____

SERIAL NUMBER _____

UNCRATE THE MACHINE

When the machine is delivered, carefully inspect the shipping packaging and the machine for damage. If damage is evident, save the shipping carton (if applicable) so that it can be inspected. Contact the Advance Customer Service Department immediately to file a freight damage claim. Refer to the unpacking instruction sheet included with the machine to remove the machine from the pallet.

WARNING!

The Products sold with this Manual contain or may contain chemicals that are known to certain governments (such as the State of California, as identified in its Proposition 65 Regulatory Warning Law) to cause cancer, birth defects or other reproductive harm. In certain locations (including the State of California) purchasers of these Products that place them in service at an employment job site or a publicly accessible space are required by regulation to make certain notices, warnings or disclosures regarding the chemicals that are or may be contained in the Products at or about such work sites. It is the purchaser's responsibility to know the content of, and to comply with, any laws and regulations relating to the use of these Products in such environments. The Manufacturer disclaims any responsibility to advise purchasers of any specific requirements that may be applicable to the use of the Products in such environments.

CAUTIONS AND WARNINGS

SYMBOLS

Advance uses the symbols below to signal potentially dangerous conditions. Always read this information carefully and take the necessary steps to protect personnel and property.

DANGER!

Is used to warn of immediate hazards that will cause severe personal injury or death.

WARNING!

Is used to call attention to a situation that could cause severe personal injury.

CAUTION!

Is used to call attention to a situation that could cause minor personal injury or damage to the machine or other property.



Read all instructions before using.

GENERAL SAFETY INSTRUCTIONS

Specific Cautions and Warnings are included to warn you of potential danger of machine damage or bodily harm.

WARNING!

- This machine shall be used only by properly trained and authorized persons.
- While on ramps or inclines, avoid sudden stops when loaded. Avoid abrupt sharp turns. Use low speed down hills. Clean only while ascending (driving up) the ramp.
- Keep sparks, flame and smoking materials away from batteries. Explosive gases are vented during normal operation.
- Charging the batteries produces highly explosive hydrogen gas. Charge batteries only in well-ventilated areas, away from open flame. Do not smoke while charging the batteries.
- Remove all jewelry when working near electrical components.
- Turn the key switch off (O) and disconnect the batteries before servicing electrical components.
- Never work under a machine without safety blocks or stands to support the machine.
- Do not dispense flammable cleaning agents, operate the machine on or near these agents, or operate in areas where flammable liquids exist.
- Do not clean this machine with a pressure washer.
- Only use the brushes provided with the appliance or those specified in the instruction manual. The use of other brushes may impair safety.

CAUTION!

- This machine is not approved for use on public paths or roads.
- This machine is not suitable for picking up hazardous dust.
- Do not use scarifier discs and grinding stones. Advance will not be held responsible for any damage to floor surfaces caused by scarifiers or grinding stones (can also cause damage to the brush drive system).
- When operating this machine, ensure that third parties, particularly children, are not endangered.
- Before performing any service function, carefully read all instructions pertaining to that function.
- Do not leave the machine unattended without first turning the key switch off (O), removing the key and applying the parking brake.
- Turn the key switch off (O) and remove the key, before changing the brushes, and before opening any access panels.
- Take precautions to prevent hair, jewelry, or loose clothing from becoming caught in moving parts.
- Use caution when moving this machine in below freezing temperature conditions. Any water in the solution, recovery or detergent tanks or in the hose lines could freeze, causing damage to valves and fittings. Flush with windshield washer fluid.
- The batteries must be removed from the machine before the machine is scrapped. The disposal of the batteries should be safely done in accordance with your local environmental regulations.
- Do not use on surfaces having a gradient exceeding that marked on the machine.
- All doors and covers are to be positioned as indicated in the instruction manual before using the machine.

SAVE THESE INSTRUCTIONS

CONSIGNES DE PRUDENCE ET DE SÉCURITÉ

SYMBOLES

Les symboles reproduits ci-dessous sont utilisés pour attirer l'attention de l'opérateur sur des situations dangereuses. Il est donc conseillé de lire attentivement ces indications et de prendre les mesures adéquates en vue de protéger le personnel et le matériel.



DANGER!

Ce symbole est utilisé pour mettre l'opérateur en garde contre les risques immédiats pouvant provoquer des dommages corporels graves, voire entraîner la mort.



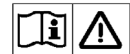
ATTENTION!

Ce symbole est utilisé pour attirer l'attention sur une situation susceptible d'entraîner des dommages corporels graves.



PRUDENCE!

Ce symbole est utilisé pour attirer l'attention de l'opérateur sur une situation qui pourrait entraîner des dommages corporels minimes, ou des dommages à la machine ou à d'autres équipements.



Lire toutes les instructions avant d'utiliser l'appareil.

CONSIGNES GENERALES DE SECURITE

Les consignes spécifiques de prudence et de sécurité mentionnées ici ont pour but de vous informer de la survenance de tout risque de dommages matériels ou corporels.



ATTENTION!

- Cette machine ne pourra être utilisée que par du personnel parfaitement entraîné et dûment autorisé.
- Evitez les arrêts subits lorsque la machine est chargée et se trouve sur des rampes ou des plans inclinés. Evitez les virages serrés. Adoptez une vitesse réduite lorsque la machine est en descente. Ne nettoyez que lorsque la machine monte la pente.
- Eloignez les batteries de toutes flammes, étincelles ou substance fumigène. Les gaz explosifs sont ventilés pendant le fonctionnement normal.
- De plus, du gaz hydrogène explosif s'échappe des batteries lorsqu'elles sont en charge. Ne procédez au chargement des batteries que dans une zone bien ventilée, loin de toute flamme. Ne fumez pas à proximité des batteries lorsqu'elles sont en charge.
- Otez tous vos bijoux lorsque vous travaillez à proximité de composants électriques.
- Positionnez la clé de contact sur off (O) et déconnectez les batteries avant de procéder à l'entretien des composants électriques.
- Ne travaillez jamais sous une machine sans y avoir placé, au préalable, des blocs de sécurité ou des étais destinés à soutenir la machine
- Ne déversez pas d'agents nettoyants inflammables, ne faites pas fonctionner la machine à proximité de ces agents ou d'autres liquides inflammables.
- Ne nettoyez pas cette machine avec un nettoyeur à pression.
- Utilisez uniquement les brosses fournies avec l'appareil ou celles spécifiées dans le manuel d'instructions. L'utilisation d'autres brosses peut mettre la sécurité en péril.



PRUDENCE!

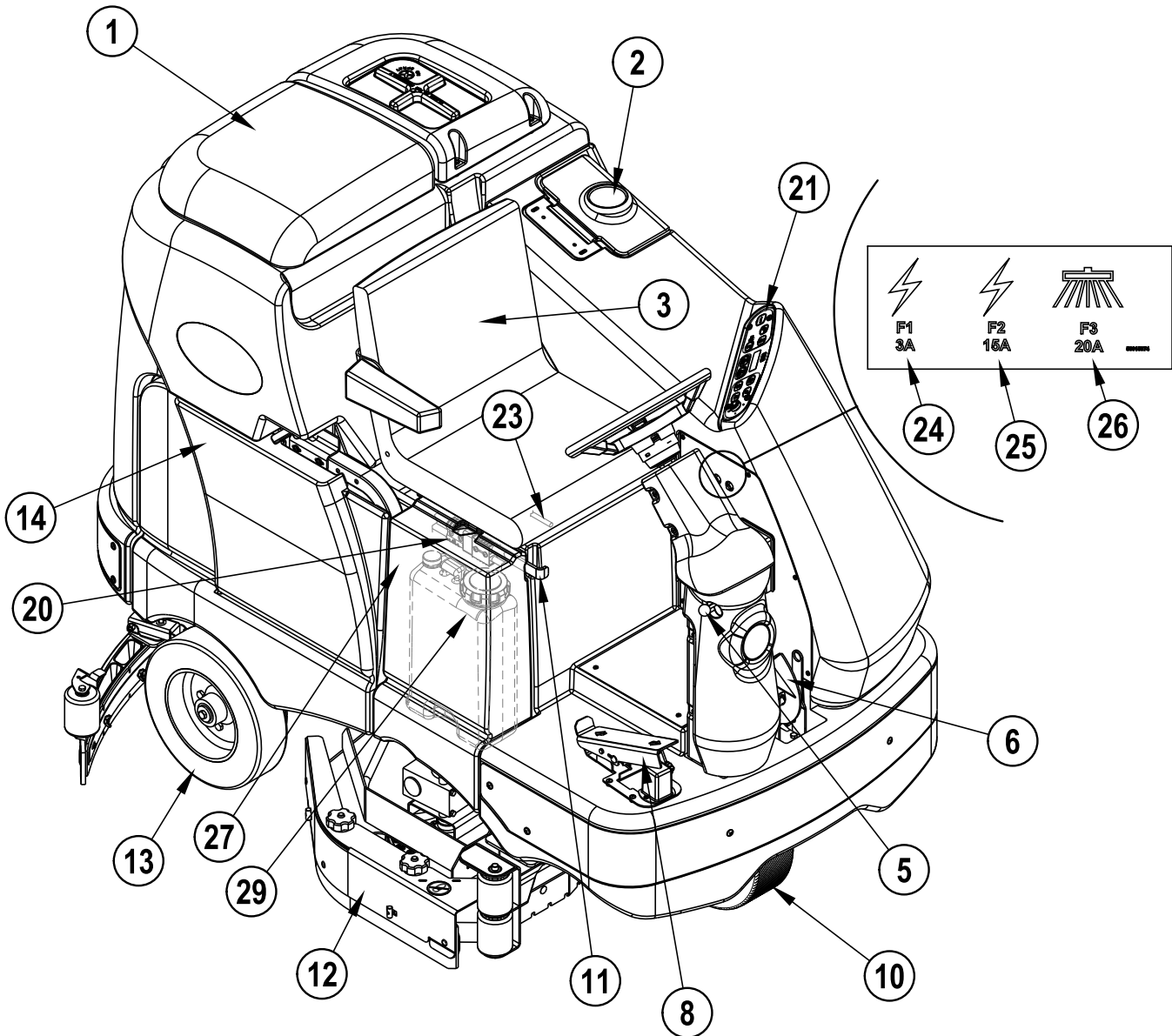
- Cette machine n'est pas conçue pour une utilisation sur les chemins ou voies publics.
- Cette machine n'est pas conçue pour le ramassage des poussières dangereuses.
- N'utilisez pas de disques de scarificateur ni de meules. Advance ne pourra en aucun cas être tenue pour responsable des dommages occasionnés à vos sols par ce type d'équipement (vous risquez également d'endommager le système d'entraînement des brosses).
- Lors de l'utilisation de cette machine, assurez-vous que des tiers, et notamment des enfants, ne courent pas le moindre risque.
- Avant de procéder à toute opération d'entretien, veuillez lire attentivement toutes les instructions qui s'y rapportent.
- Ne laissez pas la machine sans surveillance sans avoir, au préalable, coupé le contact, enlevé la clé de contact (O) et tiré le frein à main.
- Positionnez la clé de contact sur off (O) avant de remplacer les brosses ou d'ouvrir tout panneau d'accès.
- Prenez toutes les mesures nécessaires pour éviter que les cheveux, les bijoux ou les vêtements amples ne soient entraînés dans les parties mobiles de la machine.
- Faites attention lorsque vous déplacez cette machine dans un endroit où la température peut descendre sous 0°. L'eau contenue dans les réservoirs de détergent, de récupération ou de solution ou dans les conduites risquerait de geler et par là même d'endommager les valves et raccords de la machine. Rincez avec un liquide de lave-glace.
- Prenez soin d'enlever les batteries de la machine avant de mettre cette dernière au rebut. Pour ce qui est de l'élimination des batteries, conformez-vous aux réglementations locales en matière d'environnement.
- N'utilisez pas sur des surfaces dont la pente dépasse celle mentionnée sur la machine.
- Toutes les portes et couvercles doivent être dans la position mentionnée dans le manuel d'instruction avant de mettre la machine en service.

CONSERVEZ SOIGNEUSEMENT CES INSTRUCTIONS

KNOW YOUR MACHINE

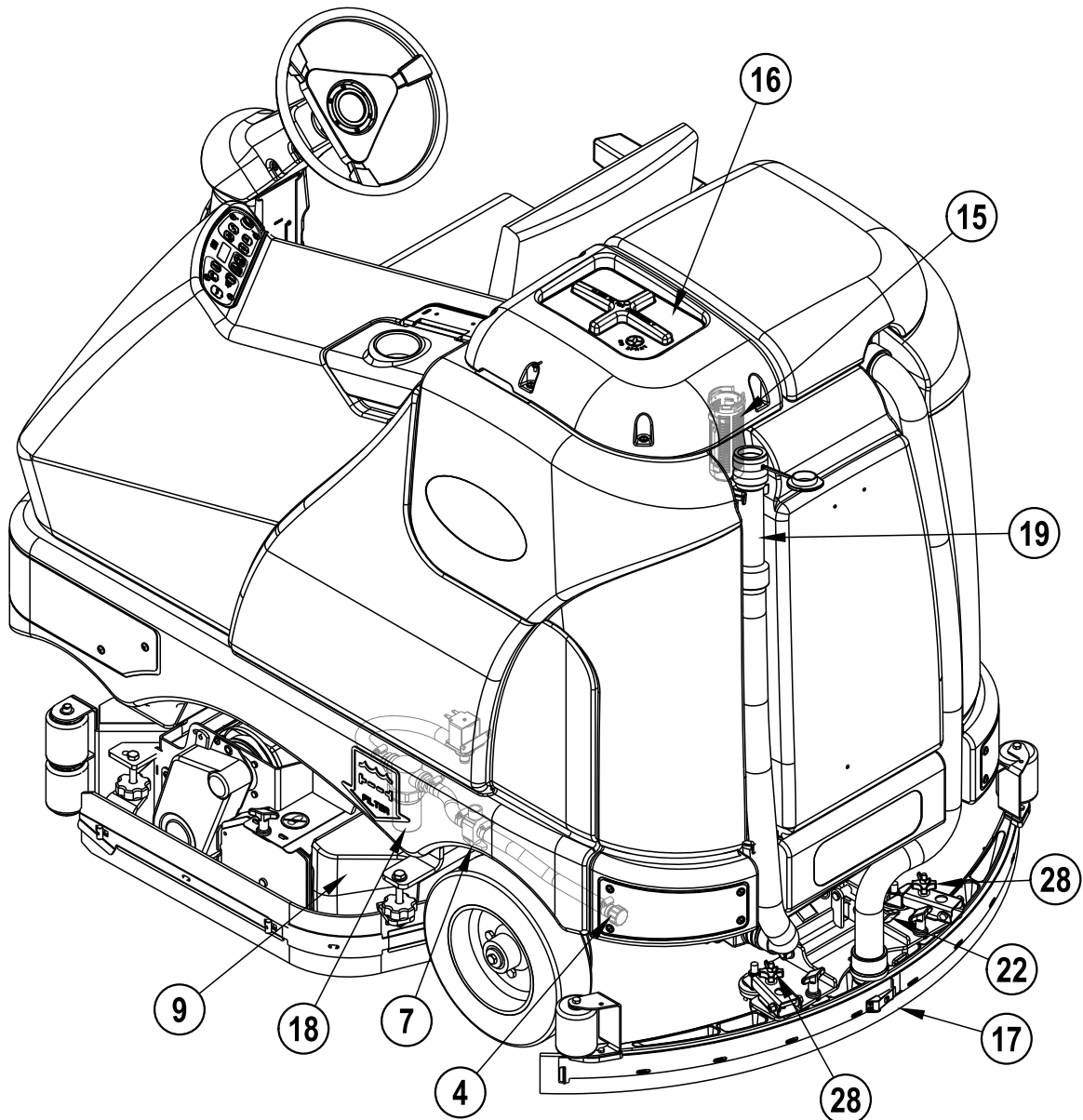
As you read this manual, you will occasionally run across a bold number or letter in parentheses - example: **(2)**. These numbers refer to an item shown on these pages unless otherwise noted. Refer back to these pages whenever necessary to pinpoint the location of an item mentioned in the text. **NOTE:** Refer to the service manual for detailed explanations of each item illustrated on the next 3 pages.

- 1 Recovery Tank Cover
- 2 Solution Tank Fill Cover
- 3 Operator's Seat
- 4 Solution Tank Drain Hose
- 5 Steering Wheel Tilt Adjust Knob
- 6 Brake Pedal / Parking Brake
- 7 Solution Shut off Valve
- 8 Drive Pedal, Directional/Speed
- 9 Hopper (cylindrical models only)
- 10 Drive and Steer Wheel
- 11 Emergency Stop Switch / Battery Disconnect
- 12 Scrub Deck
- 13 Rear Wheel
- 14 Battery Compartment (under recovery tank)



KNOW YOUR MACHINE

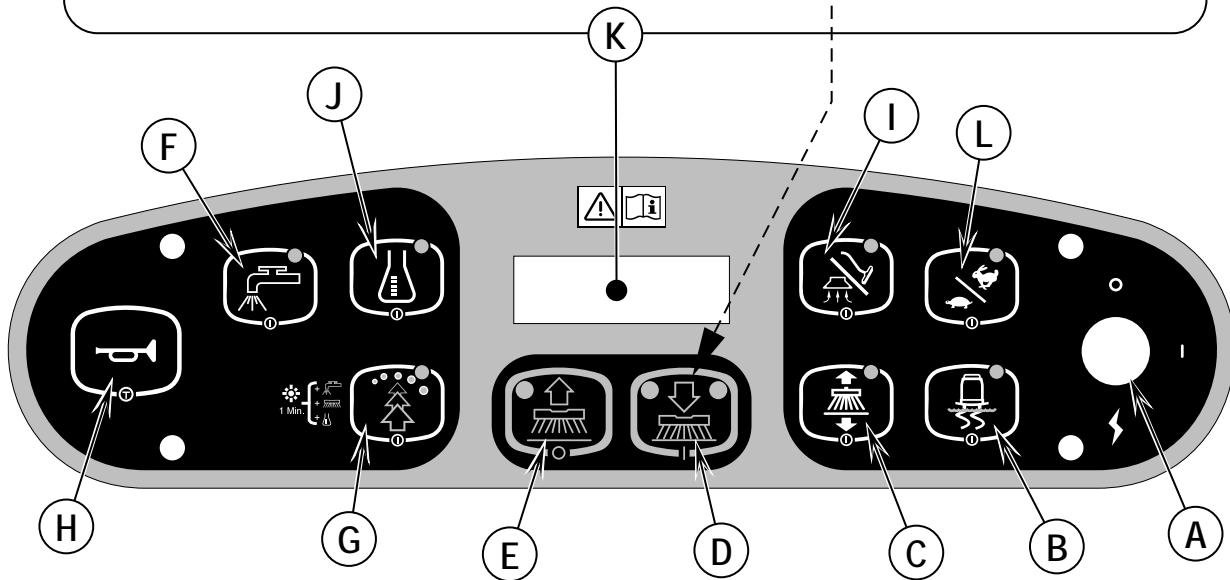
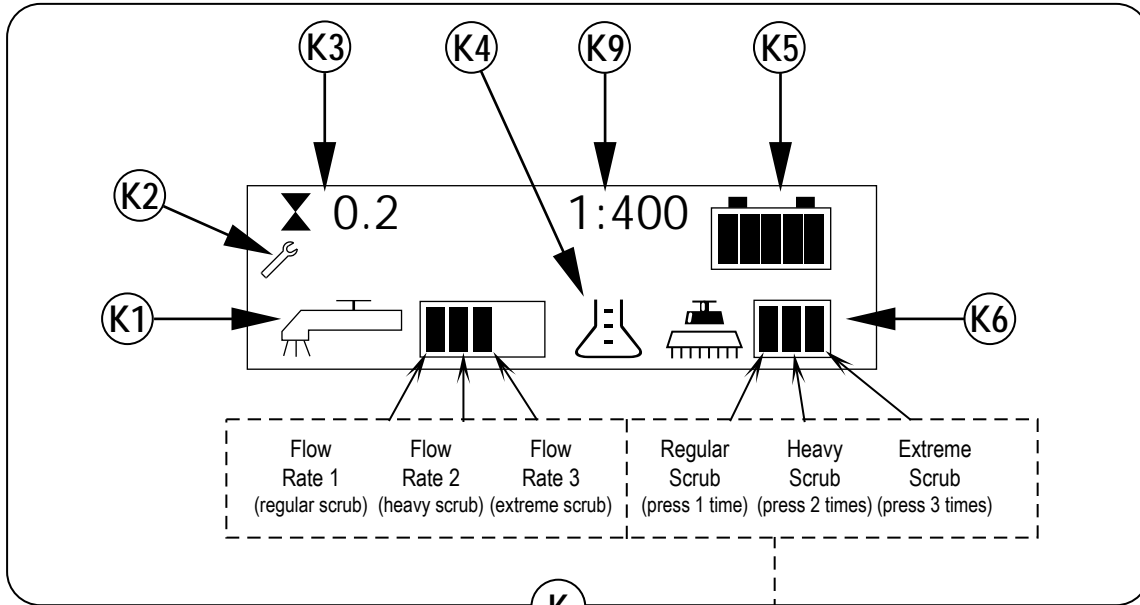
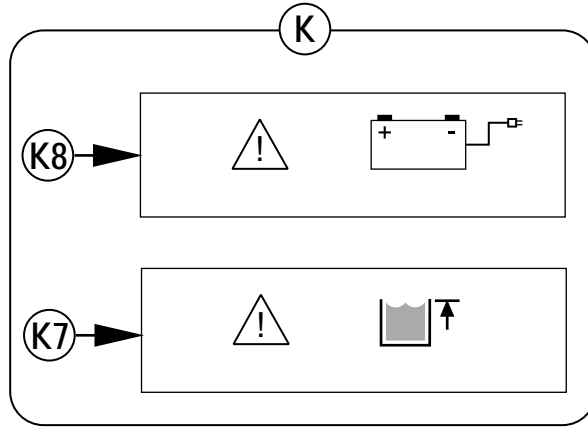
- 15 Recovery Tank Shutoff Float
- 16 Vacuum Motor Filter Housing
- 17 Squeegee Assembly
- 18 Solution Filter
- 19 Recovery Tank Drain Hose
- 20 Machine Battery Connector
- 21 Control Panel
- 22 Squeegee Tilt Adjust Knob
- 23 Operator Seat Adjustment Lever
- 24 Control Circuit Breaker
- 25 Auxiliary Circuit Breaker
- 26 Side Broom Motor Circuit Breaker
- 27 Side Access Panel
- 28 Squeegee Height Adjust Knob
- 29 Detergent Cartridge (EcoFlex models only)



A-8 / ENGLISH

CONTROL PANEL

- A Key Switch
- B Traction Control Switch
- C Side Broom Switch (cylindrical models only)
- D Scrub ON / Scrub Mode Select
- E Scrub OFF
- F Solution Switch
- G EcoFlex™ Switch
- H Horn
- I Vacuum / Wand Switch
- J Detergent System (EcoFlex models only)
- K Display
- K1 Solution Flow Indicator
- K2 Fault Indicator
- K3 Hour Meter
- K4 Detergent Indicator (if so equipped)
- K5 Battery Indicator
- K6 Scrub Pressure Indicator
- K7 Recovery Tank FULL Indicator
- K8 Battery Low Indicator
- K9 Detergent Ratio Indicator
- L Scrub Speed Switch



INSTALL THE BATTERIES

WARNING!

Use extreme caution when working with batteries. Sulfuric acid in batteries can cause severe injury if allowed to contact the skin or eyes. Explosive hydrogen gas is vented from the batteries through openings in the battery caps. This gas can be ignited by any electrical arc, spark or flame. Do not install any lead-acid battery in a sealed container or enclosure. Hydrogen gas from overcharging must be allowed to escape.

When Servicing Batteries...

- * Remove all jewelry
- * Do not smoke
- * Wear safety glasses, rubber gloves and a rubber apron
- * Work in a well-ventilated area
- * Do not allow tools to touch more than one battery terminal at a time
- * ALWAYS disconnect the negative (ground) cable first when replacing batteries to prevent sparks.
- * ALWAYS connect the negative cable last when installing batteries.

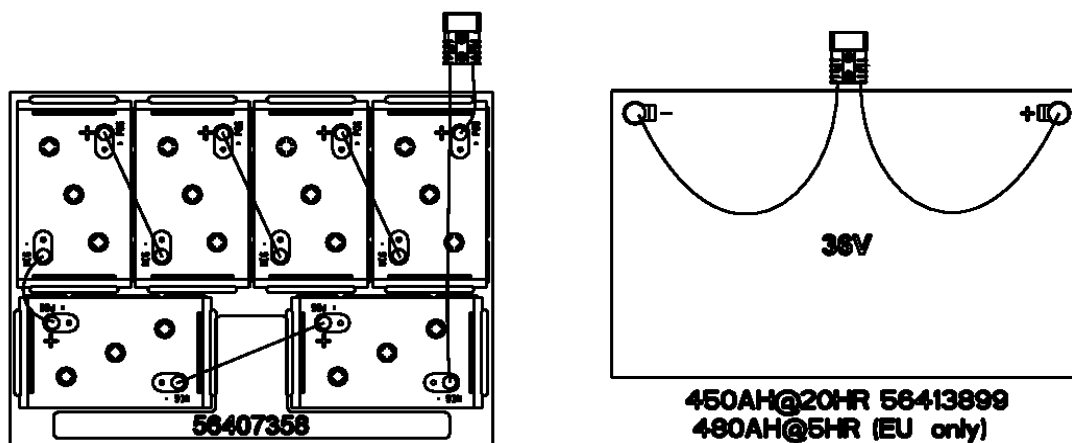
CAUTION!

Electrical components in this machine can be severely damaged if the batteries are not installed and connected properly. Batteries should be installed by Advance or by a qualified electrician.

- 1 Remove the batteries from their shipping crate and carefully inspect them for cracks or other damage. If damage is evident, contact the carrier that delivered them or the battery manufacturer to file a damage claim.
- 2 Turn the Master Key Switch (A) OFF and remove the key.
- 3 Remove the recovery tank from the machine. **NOTE:** Disconnect the tether and the vacuum motor wiring and lift the tank straight up and off the machine.
- 4 Your machine comes from the factory with enough battery cables to install six 6 volt batteries. Using at least (2) people and an appropriate lifting strap, carefully lift the batteries into the battery compartment and arrange them exactly as shown in **FIGURE 1**. Secure the batteries as close to the front of the machine as possible. If installing a mono-block battery use an overhead hoist.
- 5 Install the battery cables as shown. Position the cables so the battery caps can be easily removed for battery service.
- 6 Carefully tighten the nut in each battery terminal until the terminal will not turn. Do not over-tighten the terminals, or they will be very difficult to remove for future service.
- 7 Coat the terminals with spray-on battery terminal coating (available at most auto parts stores).
- 8 Put one of the black rubber boots over each of the terminals and connect the Battery Pack Connector (20).

FIGURE 1

**450AH @ 20HR RATE
(6) MAX 1300LB/590KG**



395AH@20HR 56388582

**450AH@20HR 56413899
480AH@5HR (EU only)**



56015272

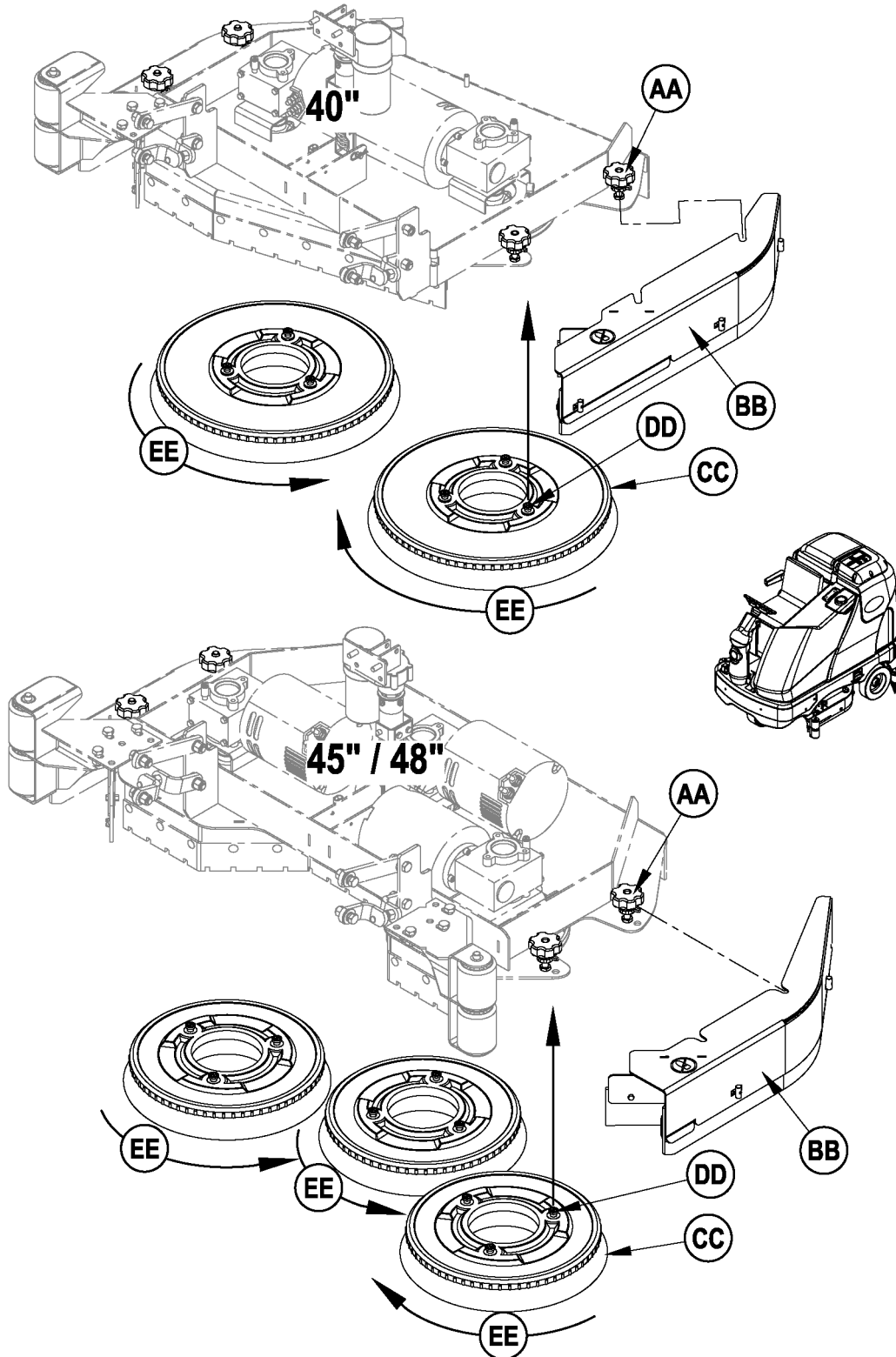
INSTALL THE BRUSHES (DISC SYSTEM)

CAUTION!

Turn the key switch off (O) and remove the key, before changing the brushes, and before opening any access panels.

- 1 Make sure the Scrub Deck is in the RAISED position. Make sure the Key Switch (A) is off (O).
- 2 See Figure 2. Remove both side skirt assemblies. **NOTE:** The skirts are held in place by two large Knobs (AA). Loosen these knobs and slide the Skirt Assemblies (BB) off of the Scrub Deck.
- 3 To mount the Brushes (CC) (or pad holders) align the Lugs (DD) on the brush with the holes on the mounting plate and turn to lock in place (turn the outside edge of brush towards the front of machine as shown (EE)).

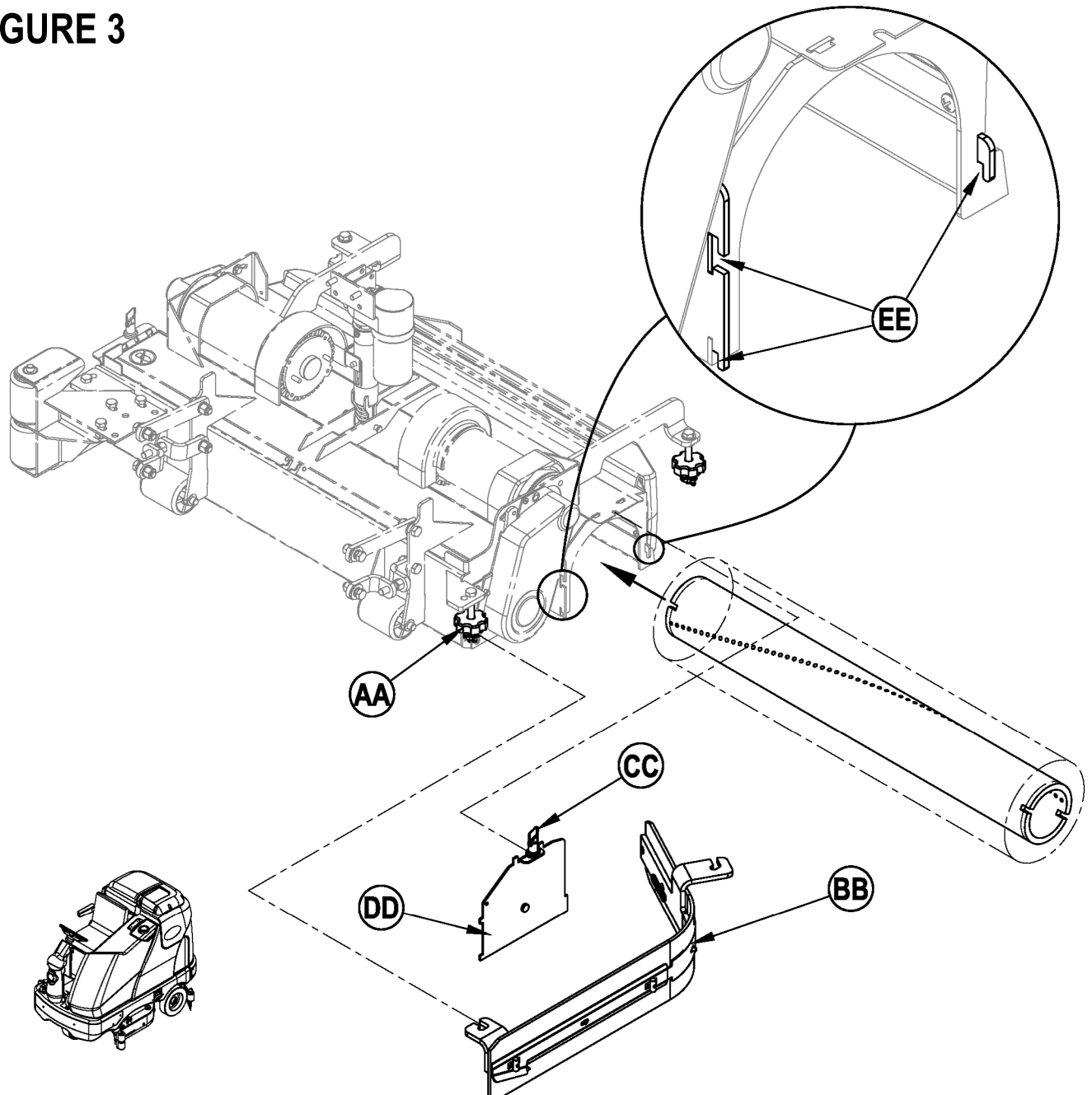
FIGURE 2



INSTALL THE BRUSHES (CYLINDRICAL SYSTEM)**⚠ CAUTION!**

Turn the key switch off (O) and remove the key, before changing the brushes, and before opening any access panels.

- 1 Make sure the Scrub Deck is in the RAISED position. Make sure the Key Switch (A) is off (O).
- 2 **See Figure 3.** Remove both side skirt assemblies. **NOTE:** The skirts are held in place by two large Knobs (AA). Loosen these knobs, slide the Skirt Assemblies (BB) forward slightly and then off of the Scrub Deck.
- 3 Loosen the Black Knobs (CC) on top of the Idler Assemblies (DD) until they drop down far enough to disengage from the Notches (EE) and remove.
- 4 Slide the brush into the housing, lift slightly, push and turn until it seats. Re-install the Idler Assemblies (DD) and Skirt Assemblies (BB).

FIGURE 3

FILLING THE SOLUTION TANK

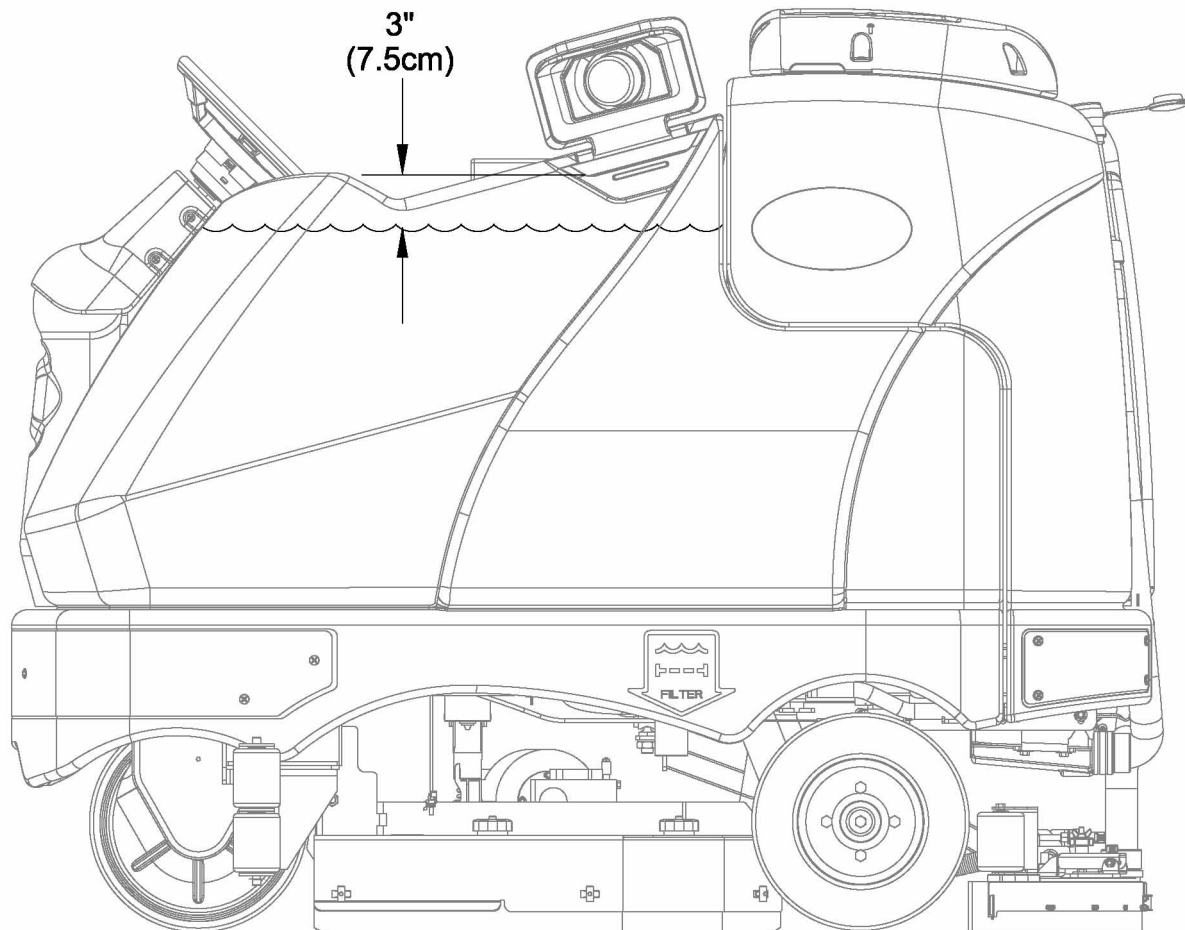
See Figure 4. Fill the solution tank with a maximum of 70 gallons (264 Liters) of cleaning solution. Do not fill the solution tank above 7.5 cm (3 inches) from the bottom of the Solution Fill (2). The solution should be a mixture of water and the proper cleaning chemical for the job. Always follow the dilution instructions on the chemical container label. **NOTE:** EcoFlex machines can either be used conventionally with detergent mixed in the tank or the detergent dispensing system can be used. When using the detergent dispensing do not mix detergent in the tank, plain water should be used.



CAUTION!

Use only low-foaming, non-flammable liquid detergents intended for machine application. Water temperature should not exceed 130 degrees fahrenheit (54.4 degrees celsius)

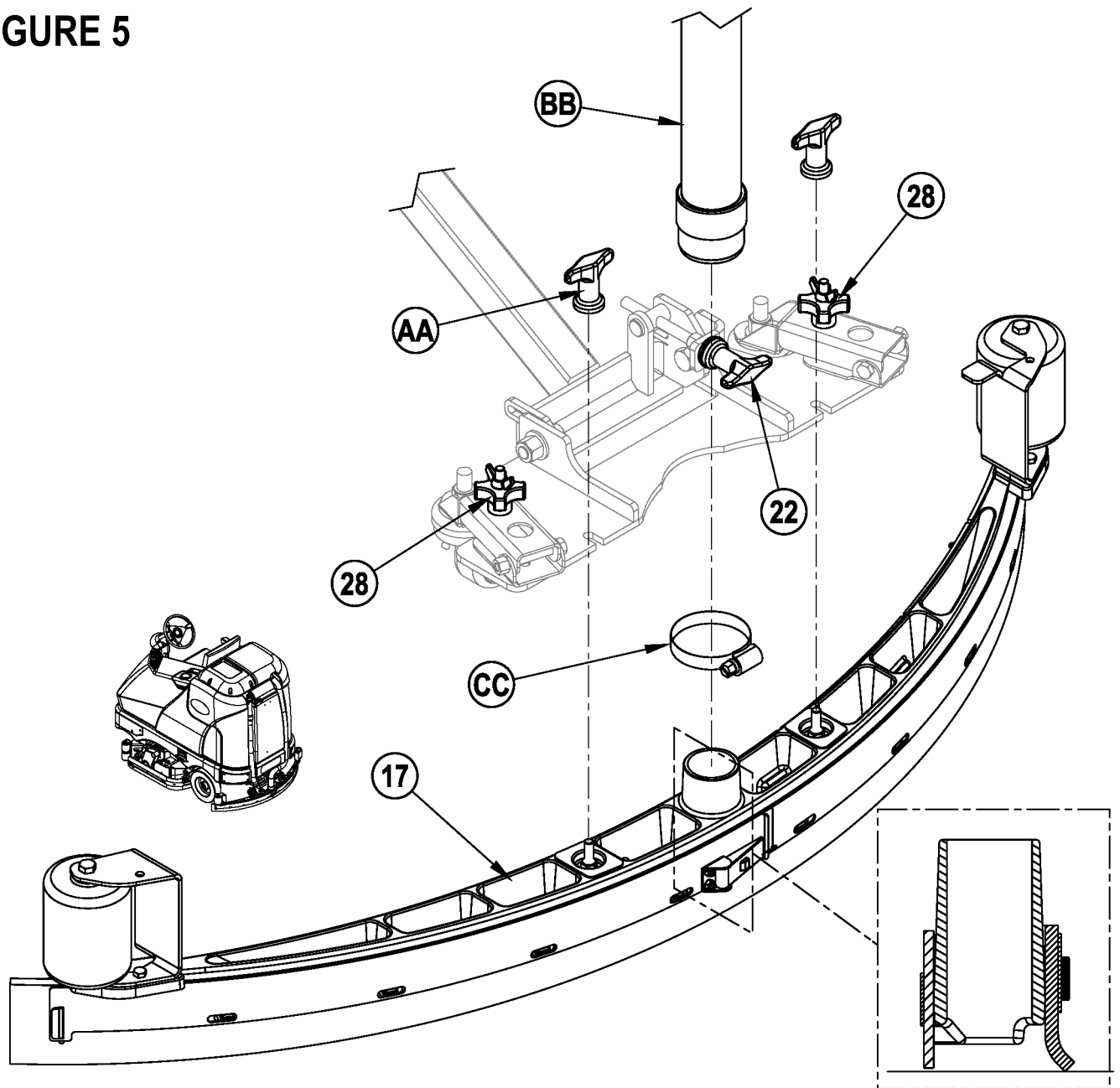
FIGURE 4



SQUEEGEE INSTALLATION

- 1 See Figure 5. Slide the Squeegee Assembly (17) onto the squeegee mount bracket and tighten the Squeegee Mount Thumb Nuts (AA).
- 2 Connect the Recovery Hose (BB) to the squeegee inlet using Hose Clamp (CC).
- 3 Lower the squeegee, move the machine ahead slightly and adjust the squeegee tilt and height using the Squeegee Tilt Adjust Knob (22) and Squeegee Height Adjust Knobs (28) so that the rear squeegee blade touches the floor evenly across its entire width and is bent over slightly as shown in the squeegee cross section.

FIGURE 5



DETERGENT SYSTEM PREPARATION AND USE (ECOFLEX MODELS ONLY)

COMMON INSTRUCTIONS:

Pressing and releasing the Detergent Switch (**J**) while the solution system is active will cause the detergent system to alternately turn on and off. The system should be purged of previous detergent when switching to a different detergent. **SERVICE NOTE:** Move machine over floor drain before purging because a small amount of detergent will be dispensed in the process.

To Purge When Changing Chemicals:

- 1 Disconnect and remove the detergent cartridge.
- 2 Turn the Key Switch (**A**) ON. Press and hold the Solution Switch (**F**) and the Detergent Switch (**J**) down for 3 seconds. **NOTE:** Once activated the purge process takes 10 seconds. See illustration on next page for Detergent System indicators. Normally one purge cycle is adequate to purge the system.

To Purge Weekly:

- 1 Disconnect and remove the detergent cartridge. Install and connect a Cartridge filled with clean water.
- 2 Turn the Key Switch (**A**) ON. Press and hold Solution Switch (**F**) and the Detergent Switch (**J**) down for 3 seconds. **NOTE:** Once activated the purge process takes 10 seconds. See illustration on next page for Detergent System indicators. Normally one purge cycle is adequate to purge the system.

Detergent Ratio:

- 1 The detergent ratio is locked at 1:400, except while overriding the EcoFlex cleaning mode. The pre-programmed ratio that is used during EcoFlex override can be adjusted. With the detergent system OFF, press and hold the Detergent ON/OFF Switch (**J**) for 2 seconds. The detergent indicator will flash and each press of the switch will cycle through the available ratios (1:32, 1:50, 1:64, 1:100, 1:128, 1:150, 1:200, 1:256, 1:300, 1:400). Once the desired ratio is displayed on the screen (**K9**), stop and it will lock in after 5 seconds.
- 2 With EcoFlex in the OFF/disabled state (LED off) the detergent ratio is adjustable. With the detergent system OFF, press and hold the Detergent ON/OFF Switch (**J**) for 2 seconds. The detergent indicator will flash and each press of the switch will cycle through the available ratios (see above). Once the desired ratio is displayed on the screen (**K9**), stop and it will lock in after 5 seconds.

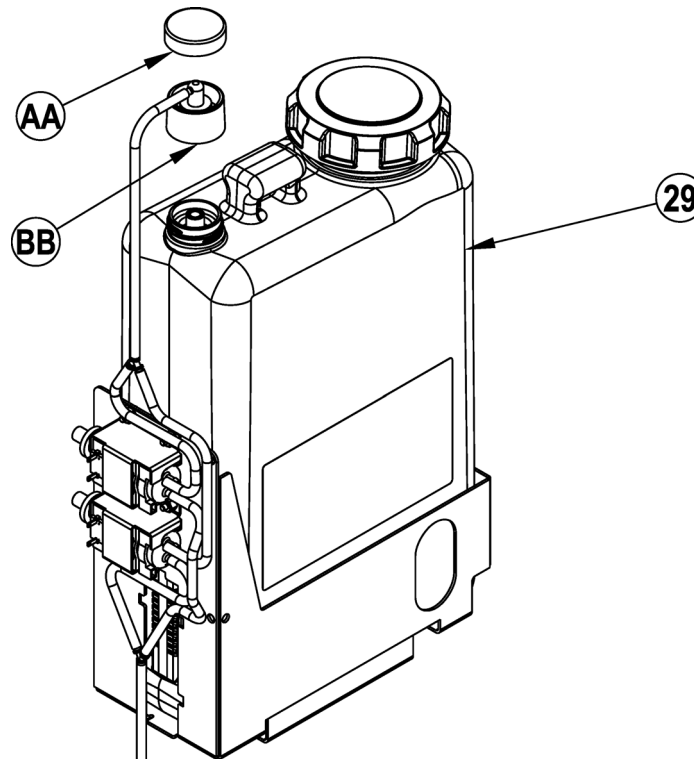
CARTRIDGE INSTRUCTIONS:

The Detergent Cartridge (**29**) is located behind the Side Access Panel (**27**). Fill the detergent cartridge with a maximum of 2.2 gallons (8.32 Liters) of detergent.

SERVICE NOTE: Remove the detergent cartridge from the detergent box prior to filling to avoid spilling detergent on the machine.

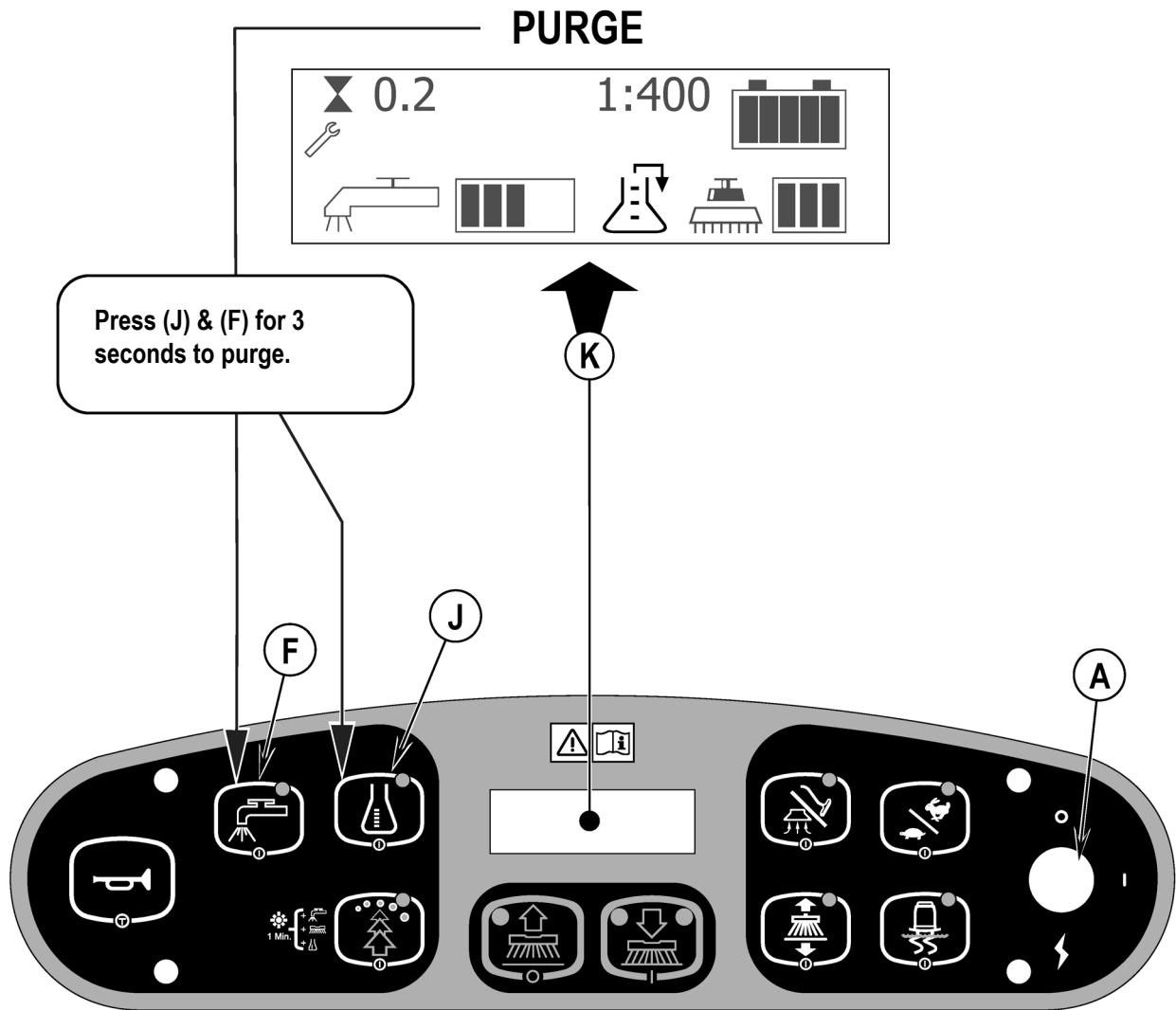
It is recommended that a separate cartridge be used for each detergent you plan to use. The detergent cartridges have a white decal on them so you can write the detergent name on each cartridge to avoid mixing them up. The system should be purged of previous detergent when switching to a different detergent. When installing a new cartridge, remove the Cap (**AA**) and place the cartridge in the detergent box. Install the Dry Break Cap (**BB**) and detergent hose as shown.

FIGURE 6



DETERGENT SYSTEM PREPARATION AND USE (ECOFLEX MODELS ONLY)

FIGURE 7



OPERATING THE MACHINE



WARNING!

Be sure you understand the operator controls and their functions.

While on ramps or inclines, avoid sudden stops when loaded. Avoid abrupt sharp turns. Use low speed down hills. Clean only while ascending (driving up) the ramp.

To Scrub...

Follow the instructions in "preparing the machine for use" section of this manual.

- 1 **See Figure 8.** While seated on the machine, adjust the seat and steering wheel to a comfortable operating position using the adjustment controls **(23)** and **(5)**.
- 2 Turn the Master Key Switch **(A)** ON (I). This will display the control panel indicator lights. Reference the Battery Condition Indicator **(K5)** and Hour Meter **(K3)** before proceeding.
- 3 Release the Parking Brake **(6)**. To transport the machine to the work area, apply even pressure with your foot on the front of the Drive Pedal **(8)** to go forward or the rear of the pedal for reverse. Vary the pressure on the foot pedal to obtain the desired speed.
- 4 Press the Solution Switch **(F)** and hold for 5 seconds to pre-wet the floor. **NOTE:** This will help prevent scarring of the floor surface when starting to scrub with dry brushes. This must be done prior to pressing the Scrub ON Switch **(D)**.
- 5 Press the Scrub ON Switch **(D)** once for Regular Scrub, twice for Heavy Scrub or three times for Extreme Scrub mode. Both the solution flow and detergent (EcoFlex models) flow have 3 presets that coincide with the 3 scrub modes (see Control Panel).
NOTE: There is a solution flow rate override function if you wish to increase solution flow without increasing scrub pressure. Hold the Solution Switch **(F)** for 3 seconds (solution indicator will start flashing) and then let go. You then have 3 seconds to set a different flow rate by simply pressing the Solution Switch **(F)** repeatedly until the Solution Flow Indicator **(K1)** shows the rate you desire (1-5 / see Control Panel). Any subsequent scrub pressure adjustments will reset the solution flow rate to default.
NOTE: The scrub, solution, vacuum, detergent (EcoFlex models) and side broom (cylindrical models) systems are automatically enabled when the Scrub ON Switch **(D)** is pressed. Any individual system can be turned OFF or back ON by simply pressing its switch at any time during scrubbing.
- 6 When the Scrub ON Switch **(D)** is selected, the brushes, squeegee and side brooms (cylindrical models) are automatically lowered to the floor. The scrub, solution, vacuum, detergent (EcoFlex models) and side broom (cylindrical models) systems all start when the Drive Pedal **(8)** is activated.
NOTE: When operating the machine in reverse the squeegee automatically raises.
- 7 Begin scrubbing by driving the machine forward in a straight line at a normal walking speed and overlap each path by 2-3 inches (50-75 mm). Adjust the machine speed and solution flow when necessary according to the condition of the floor.
NOTE: The maximum scrub speed can be increased by pressing the Scrub Speed Switch **(L)**. The normal max scrub speed is 80% of transport speed. Pressing this switch increases it to 100% of transport speed.
If scrubbing on a smooth floor surface or double-scrubbing turning on the Traction Control™ button **(B)** regulates the drive wheel torque providing increased control and enhanced traction on the floor.
The side broom height can be adjusted. See the "Side Broom Maintenance" section of this manual.



CAUTION!

To avoid damaging the floor, keep the machine moving while the brushes are turning.

- 8 When scrubbing, check behind the machine occasionally to see that all of the waste water is being picked up. If there is water trailing the machine, you may be dispensing too much solution, the recovery tank may be full, or the squeegee tool may require adjustment.
- 9 The machine defaults to the EcoFlex cleaning mode (EcoFlex Switch Indicator is lit) conserving solution and detergent. Press the EcoFlex Switch **(G)** to override the EcoFlex cleaning mode and temporarily increase scrub pressure, solution flow and the detergent ratio. This will cause the indicator to flash for one minute, solution flow rate will increase to the next level, scrub pressure will increase to the next level and the detergent ratio will increase to the pre-programmed ratio. The pre-programmed ratio that is used during EcoFlex override can be adjusted. With the detergent system OFF, press and hold the Detergent ON/OFF Switch **(J)** for 2 seconds. The detergent indicator will flash and each press of the switch will cycle through the available ratios (1:32, 1:50, 1:64, 1:100, 1:128, 1:150, 1:200, 1:256, 1:300, 1:400). Once the desired ratio is displayed on the screen **(K9)**, stop and it will lock in after 5 seconds.
NOTE: Pressing and holding the EcoFlex Switch **(G)** for 2 seconds disables the EcoFlex system. The only way to re-enable is to push the EcoFlex Switch **(G)** again. Cycling the Key Switch **(A)** does not re-enable the system. The EcoFlex system will only function if the Scrub System **(D)** has been enabled.
- 10 For extremely dirty floors, a one-pass scrubbing operation may not be satisfactory and a "double-scrub" operation may be required. This operation is the same as a one-pass scrubbing except on the first pass the squeegee is in the up position (press the Vacuum/Wand Switch **(I)** to raise the squeegee). This allows the cleaning solution to remain on the floor to work longer. The final pass is made over the same area, with the squeegee lowered to pick up the accumulated solution.
- 11 The recovery tank has a shut-off float **(15)** that causes ALL systems to turn OFF except the drive system when the recovery tank is full. When this float is activated, the recovery tank must be emptied. The machine will not pick up water or scrub with the float activated.
NOTE: All other indicators vanish and a "Recovery Tank FULL" Indicator **(K7)** appears on the Display Panel when the float is activated. If the control repeatedly gives a full indication when the tank is not full, the automatic shut-off feature can be disabled, have a qualified service technician refer to the service manual to perform this function.
- 12 When the operator wants to stop scrubbing or the recovery tank is full, press the Scrub OFF Switch **(E)** once. This will automatically stop the scrub brushes and solution flow and the scrub deck will raise up. The squeegee will raise up after a brief delay and the vacuum will stop after a brief delay (this is to allow any remaining water to be picked up without turning the vacuum back on).
- 13 Drive the machine to a designated waste water "DISPOSAL SITE" and empty the recovery tank. To empty, pull the Drain Hose **(19)** from its rear storage area, then remove the plug (hold the end of the hose above the water level in the tank to avoid sudden, uncontrolled flow of waste water). Refill the solution tank and continue scrubbing.

NOTE: Make sure the Recovery Tank Cover **(1)** and the Recovery Tank Drain Hose **(19)** cap are properly seated or the machine will not pick-up water correctly.

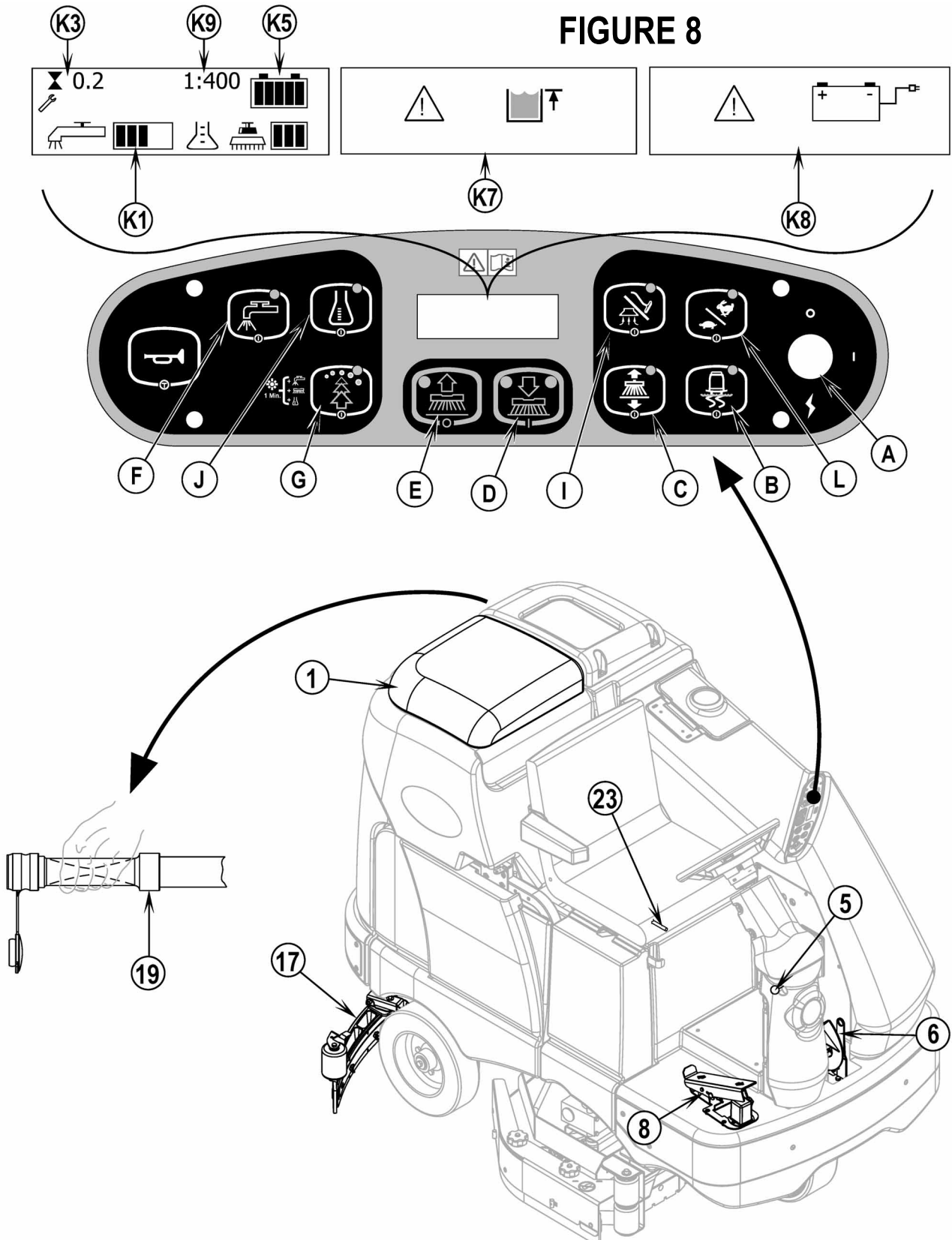
When the batteries require recharging the Battery LOW Indicator **(K8)** will come on, the scrub brushes and solution flow will stop and the scrub deck will raise up. The squeegee will raise up after a brief delay and the vacuum will stop after a brief delay. Transport the machine to a service area and recharge the batteries according to the instructions in the Battery section of this manual.

WET VACUUMING

Steps to follow in fitting the machine with optional attachments for wet vacuuming.

- 1 Disconnect the recovery hose from the squeegee (17). Connect the coupler and hose from the wand kit to the recovery hose.
- 2 Attach suitable wet pick-up tools to the hose. (An optional Wand Kit PN56413687 is available from Advance).
- 3 Turn the Master Key Switch (A) ON and press the Vacuum/Wand Switch (I). The vacuum motor and the pump will run continuously until the switch is pressed again to turn it OFF. **NOTE:** The "Recovery Tank FULL" indicator is disabled when the wand mode is activated. The float will stop the flow into the recovery tank.

SERVICE NOTE: Refer to the service manual for detailed functional descriptions of all controls and optional programmability.



A-18 / ENGLISH

AFTER USE

- 1 When finished scrubbing, press the Scrub Off Switch (E). This will automatically raise, retract and stop all the machine systems (brush, squeegee, vacuum, solution and detergent (EcoFlex models)). Then drive the machine to a service area for daily maintenance and review of other needed service up keep.
- 2 To empty the solution tank, remove the Solution Drain Hose (4) from it's storage clamp. Direct the hose to a designated "DISPOSAL SITE" and remove the plug. Rinse the tank with clean water.
- 3 To empty the recovery tank, pull the Recovery Tank Drain Hose (19) from its storage area. Direct the hose to a designated "DISPOSAL SITE" and remove the plug (hold the end of the hose above the water level in the tank to avoid sudden, uncontrolled flow of waste water). The Recovery Tank Drain Hose can be squeezed to regulate the flow. Rinse the recovery tank with clean water. Inspect the recovery and vacuum hoses; replace if kinked or damaged.
- 4 Remove the brushes or pad holders. Rinse the brushes or pads in warm water and hang up to dry.
- 5 Remove the squeegee, rinse it with warm water and re-install on mount.
- 6 Remove the hopper on cylindrical systems and clean thoroughly. Remove from either side of the machine by removing the skirt and tilting the hopper up and away from housing, then pull out.
- 7 Check the maintenance schedule below and perform any required maintenance before storage

MAINTENANCE SCHEDULE

MAINTENANCE ITEM	Daily	Weekly	Monthly	Yearly
Charge Batteries	X			
Check/Clean Tanks & Hoses	X			
Check/Clean/Rotate the Brushes/Pads	X			
Check/Clean the Squeegee	X			
Check/Clean Vacuum Shut-Off Float	X			
Check/Clean the vacuum motor foam filter(s)	X			
Clean Hopper on Cylindrical System	X			
Check Each Battery Cell(s) Water Level		X		
Inspect Scrub Housing Skirts		X		
Inspect and clean Solution Filter		X		
Check Foot/ Parking Brake For Wear & Adjustment		X		
Clean Solution Trough on Cylindrical System		X		
Purge Detergent System (EcoFlex only)		X		
Side Broom Maintenance		X		
Lubrication - Grease Fittings			X	
* Check Carbon Brushes				X

* Have Advance check the vacuum motor carbon motor brushes once a year or after 300 operating hours. The brush and drive motor carbon brushes check every 500 hours or once a year.

NOTE: Refer to the Service Manual for more detail on maintenance and service repairs.

- 8 Store the machine indoors in a clean dry place. Keep from freezing. Leave the tanks open to air them out.
- 9 Turn the Master Key Switch (A) OFF (O) and remove the key.

LUBRICATING THE MACHINE – FIGURE 9

Once a month, pump a small amount of grease into each grease fitting on the machine until grease seeps out around the bearings.

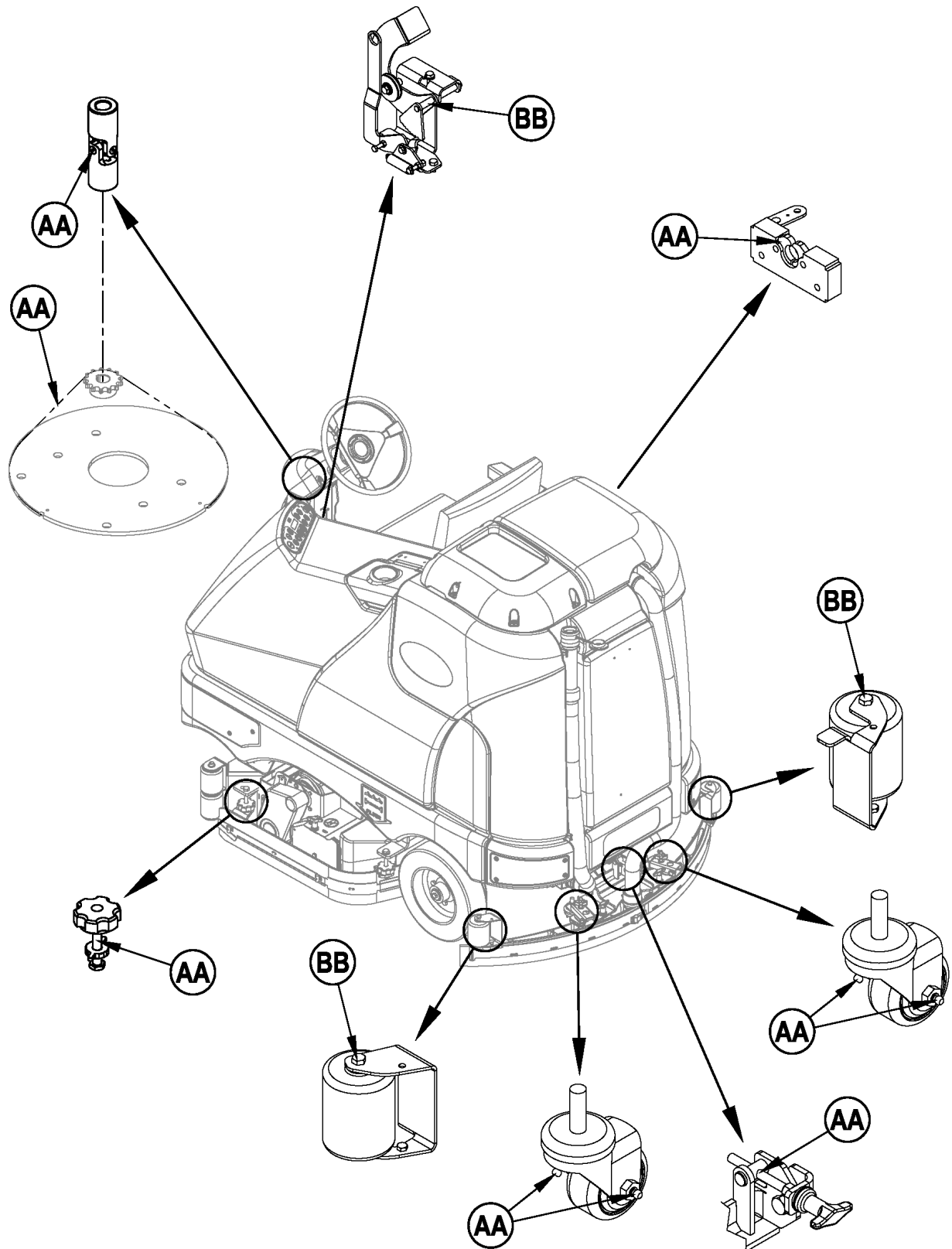
Grease fitting locations (or apply grease to) (AA):

- Squeegee Caster Wheel Axle and Pivot
- Steering Wheel Shaft Universal joint
- Steering Chain
- Squeegee mount angle adjustment knob threads

Once a month, apply light machine oil to lubricate the (BB):

- Squeegee tool end wheels
- Recovery Tank release latch
- Brake Pedal (parking brake) linkage

FIGURE 9



CHARGING THE BATTERIES

Charge the batteries each time the machine is used or when the Battery Indicator (**K5**) is reading less than full.

To Charge the Batteries...

- 1 See Figure 10. Depress the Battery Disconnect (**11**).
- 2 Open Side Access Panel (**27**) and push the connector from the charger into the Battery Connector (**20**).
- 3 Follow the instructions on the battery charger.
- 4 After charging the batteries check the fluid level in all battery cells. Add distilled water, if necessary, to bring the fluid level up to the bottom of the filler tubes.



WARNING!

Do not fill the batteries before charging.

Charge batteries in a well-ventilated area.

Do not smoke while servicing the batteries.

When Servicing Batteries...

- * Remove all jewelry
- * Do not smoke
- * Wear safety glasses, rubber gloves and a rubber apron
- * Work in a well-ventilated area
- * Do not allow tools to touch more than one battery terminal at a time
- * ALWAYS disconnect the negative (ground) cable first when replacing batteries to prevent sparks.
- * ALWAYS connect the negative cable last when installing batteries.



CAUTION!

To avoid damage to floor surfaces, wipe water and acid from the top of the batteries after charging.

CHECKING THE BATTERY WATER LEVEL

Check the water level of the batteries at least once a week.

After charging the batteries, remove the vent caps and check the water level in each battery cell. Use distilled or demineralized water in a battery filling dispenser (available at most auto parts stores) to fill each cell to the level indicator (or to 10 mm over the top of the separators). DO NOT over-fill the batteries!



CAUTION!

Acid can spill onto the floor if the batteries are overfilled.

Tighten the vent caps. Wash the tops of the batteries with a solution of baking soda and water (2 tablespoons of baking soda to 1 liter of water).

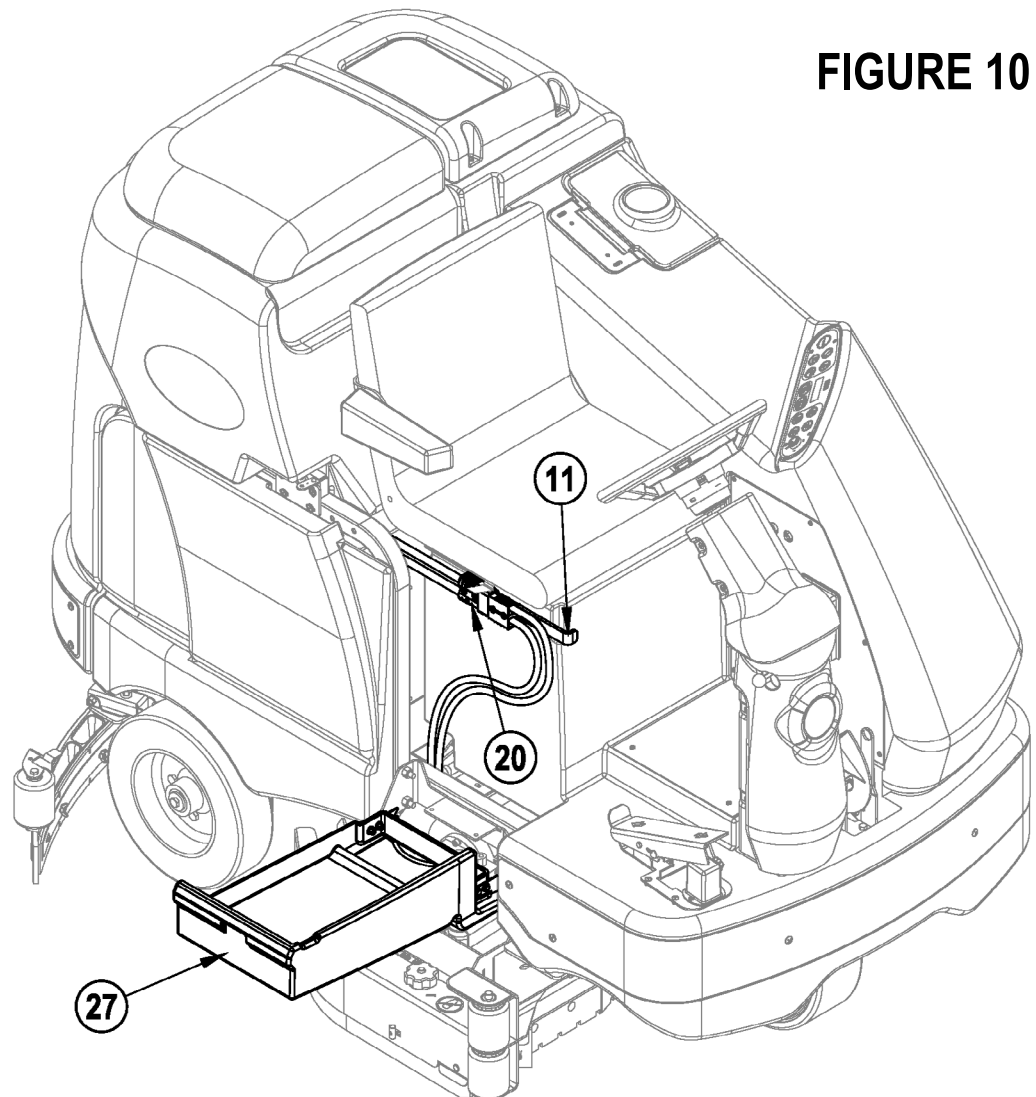


FIGURE 10

SQUEEGEE MAINTENANCE

If the squeegee leaves narrow streaks or water, the blades may be dirty or damaged. Remove the squeegee, rinse it under warm water and inspect the blades. Reverse or replace the blades if they are cut, torn, wavy or worn.

To Reverse or Replace the Rear Squeegee Wiping Blade...

- 1 See Figure 11. Raise the squeegee tool off the floor, then unsnap the Center Latch (AA) on the squeegee tool.
- 2 Remove the Tension Straps (BB).
- 3 Slip the rear blade off the alignment pins.
- 4 The squeegee blade has 4 working edges as shown below. Turn the blade so a clean, undamaged edge faces toward the front of the machine. Replace the blade if all 4 edges are nicked, torn or worn to a large radius.
- 5 Install the blade, following the steps in reverse order and adjust the squeegee tilt.

To Reverse or Replace the Front Squeegee Blade...

- 1 Raise the squeegee tool off the floor, then loosen the (2) Thumb Nuts (CC) on top of the squeegee and remove the squeegee tool from the mount.
- 2 Remove both rear Tension Straps first.
- 3 Remove all the wing nuts that hold the front blade in place, then remove tension strap and blade.
- 4 The squeegee blade has 4 working edges as shown below. Turn the blade so a clean, undamaged edge faces toward the front of the machine. Replace the blade if all 4 edges are nicked, torn or worn to a large radius.
- 5 Install the blade, following the steps in reverse order and adjust the squeegee tilt.

SQUEEGEE ADJUSTMENT

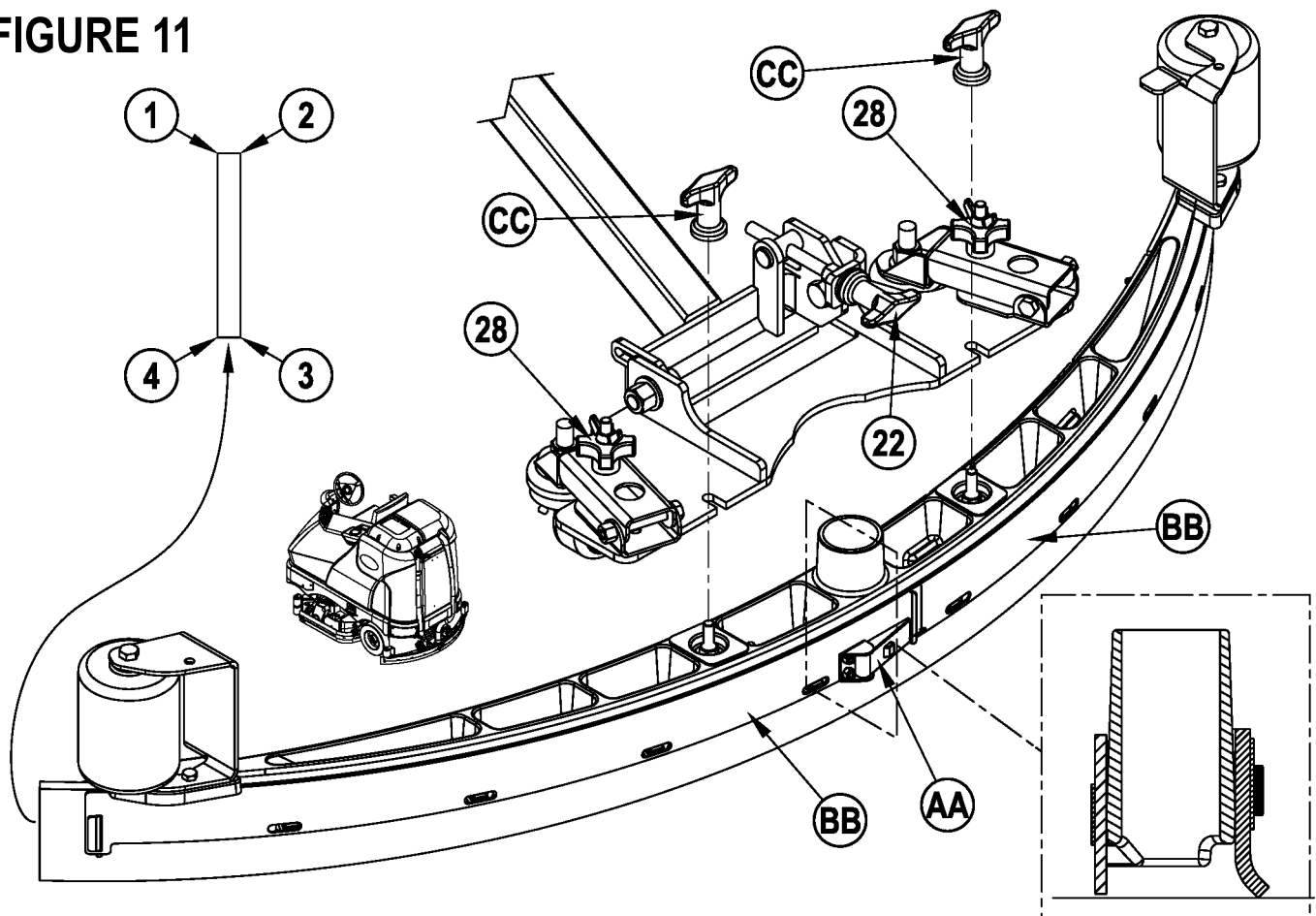
There are two squeegee tool adjustments possible, angle and height.

Adjusting the Squeegee Angle

Adjust the squeegee angle whenever a blade is reversed or replaced, or if the squeegee is not wiping the floor dry.

- 1 Park the machine on a flat, even surface.
- 2 Lower the squeegee, move the machine ahead slightly and adjust the squeegee tilt and height using the Squeegee Tilt Adjust Knob (22) and Squeegee Height Adjust Knobs (28) so that the rear squeegee blade touches the floor evenly across its entire width and is bent over slightly as shown in the squeegee cross section.

FIGURE 11



SIDE SKIRT MAINTENANCE

The side skirt's function is to channel the waste water to the squeegee, helping contain the water within the machines cleaning path. During normal use the blades will wear in time. The operator will notice a small amount of water leaking out underneath the side skirts. A height adjustment can easily be made to lower the blades so that all the water can be pick-up by the squeegee.

To reverse or replace the scrub system side skirt(s) ...

- 1 **See Figure 12.** Loosen the (2) side skirt Retainer Knobs **(AA)** (2 per side) and remove the Skirt Assemblies **(BB)** from the scrub deck. **NOTE:** Remove the skirts by first sliding them forward and then pulling them off.
- 2 Remove all the hardware that holds the blades to the skirt housings. **NOTE:** The main blade on each skirt housing is held on with Tool-less Retainers. Simply loosen the large Wing nuts **(CC)** and then turn the Knobs **(DD)** on the outside of the skirt housing until they are horizontal and push through the slots. The small inside Blade **(EE)** on disk models is held on by (2) screws and nuts and has 2 working edges.
- 3 The main skirt blade has 4 working edges as shown. Turn the blade so a clean, undamaged edge faces toward the center of the machine. Replace the blades as a set if all 4 edges are nicked, torn or worn beyond their ability to be adjusted.
- 4 Reinstall the skirt housing assemblies onto the machine and adjust the blade for proper contact to the floor when the brush deck is placed in the scrub position.

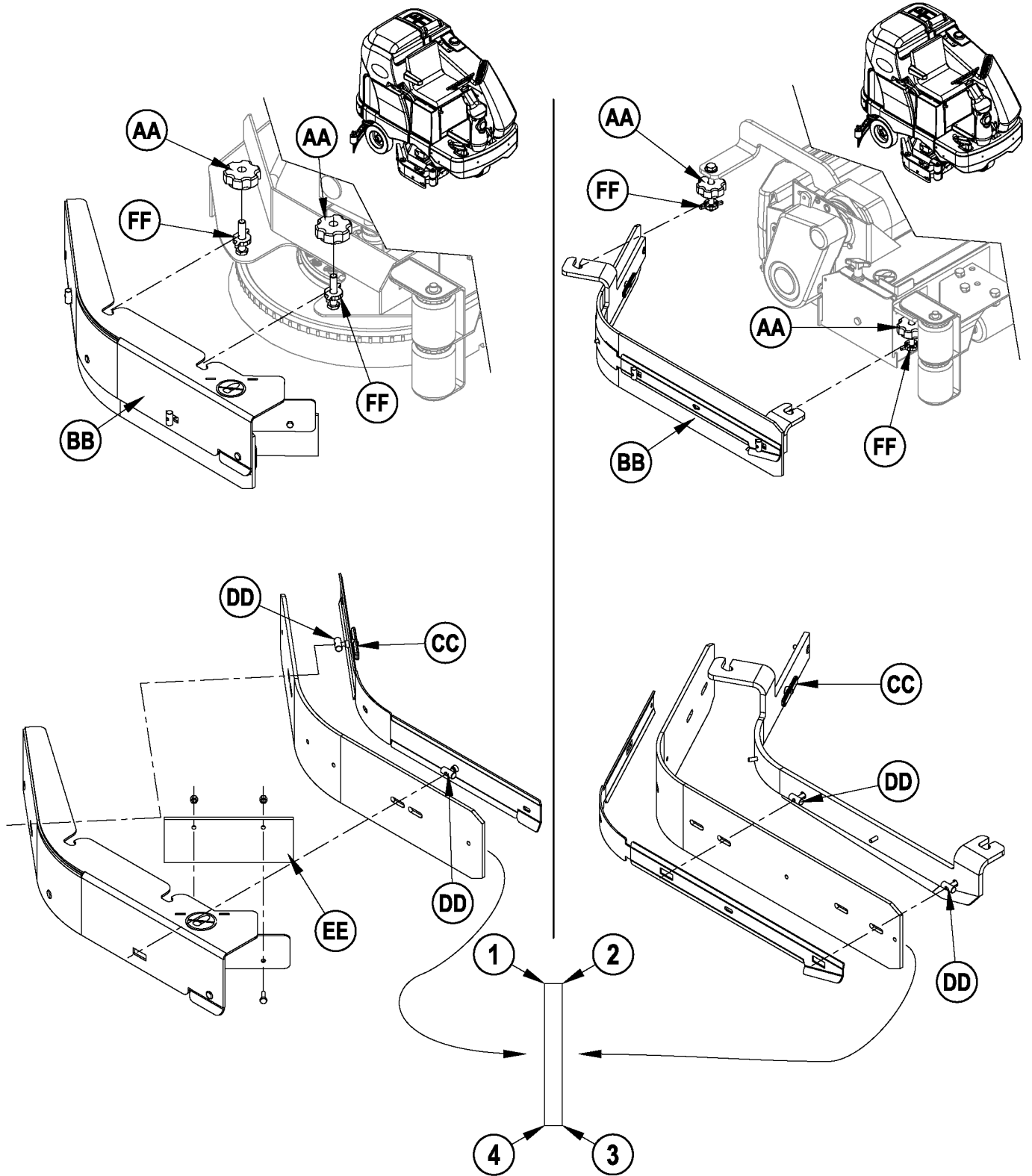
SIDE SKIRT HEIGHT ADJUSTMENT

- 1 The side skirt housing knob retainer screw studs have leveling Adjuster Collars **(FF)** that can be raised or lowered to compensate for blade wear.
- 2 To adjust, remove the Skirt Assemblies **(BB)** from the scrub deck to access the Adjuster Collars **(FF)**. Adjustment Tip: The skirts Retainer Knobs **(AA)** can be loosened with skirts left on and the Adjuster Collars **(FF)** rotated by reaching under the skirt housing.
- 3 Turn the Adjuster Collars **(FF)** (Up or Down) to where the blades just fold over enough when scrubbing that all the waste water is contained inside the skirting. **NOTE:** Make small adjustments to obtain good blade wiping. Do not lower the blades too much to where they fold over excessively and cause unneeded blade wear.

SIDE SKIRT MAINTENANCE
DISK

CYLINDRICAL

FIGURE 12



SIDE BROOM MAINTENANCE

The side broom(s) move dirt and debris away from walls or curbs and into the path of the main broom. Adjust the side broom so that the bristles are contacting the floor from the 10 O'clock (AA) to the 3 O'clock (BB) area shown in **Figure 13** when the broom is down and running.

The side brooms are adjusted through the adjust mode. To enter the "Adjust Mode" perform the following steps...

- 1 Turn the Key Switch (A) to the OFF position (O).
- 2 Press and hold the Side Broom Switch (C) and the Scrub Off Switch (E).
- 3 While holding the switches (C & E), turn the key switch to the ON position (I).
- 4 Continue to hold the switches for 2 seconds until side broom, scrub off and scrub on LED's turn on.
- 5 Release the switches. The Display (K) will now show "SIDE BROOM ADJUSTMENT".

Once inside of the "Adjust Mode" perform the following steps to adjust the side broom...

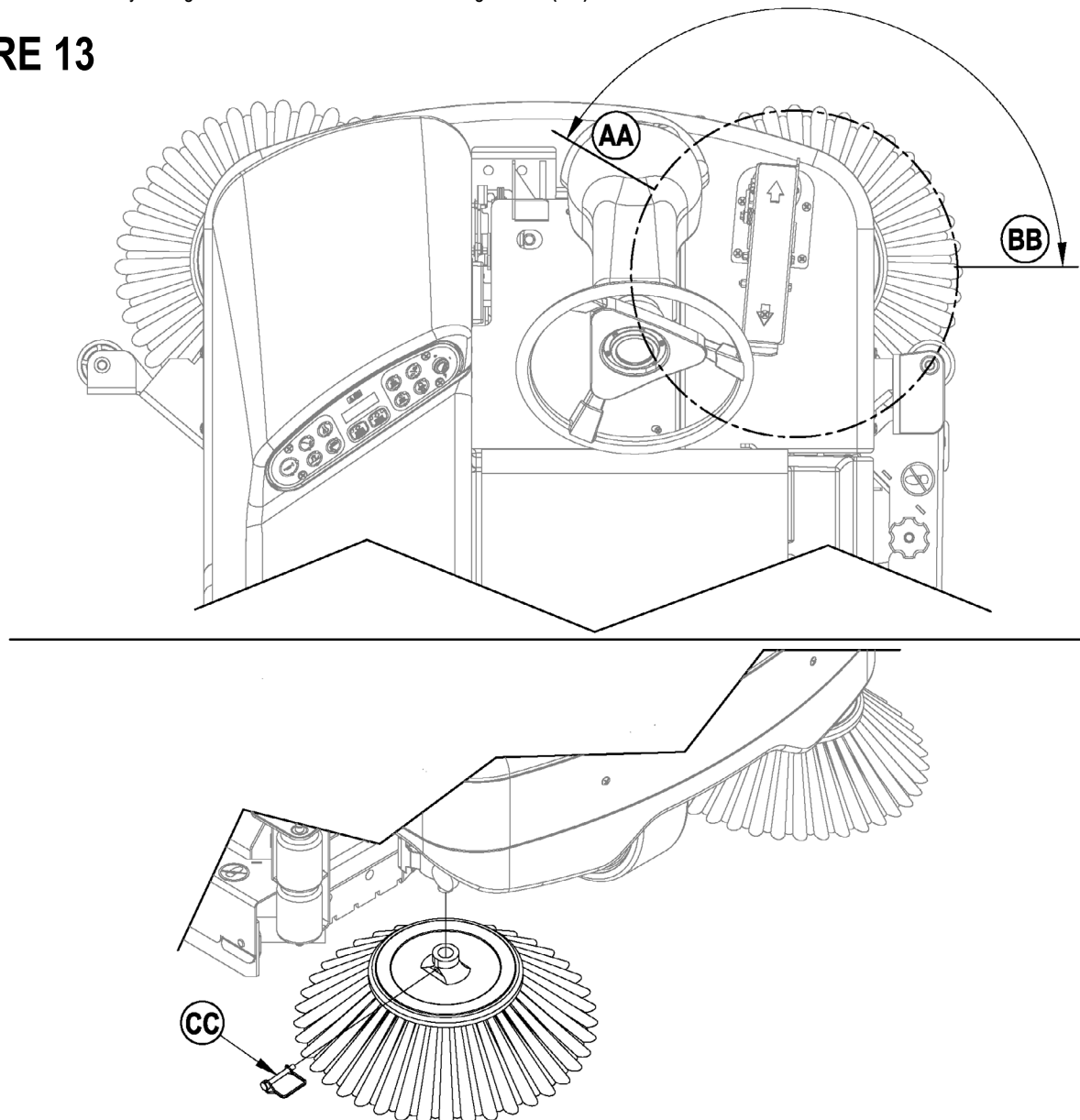
- 1 Press Scrub On Switch (D) to lower the side brooms and press the Side Broom Switch (C) to raise the side brooms until the desired height is reached.
- 2 To save the side broom height position, press the Scrub Off Switch (E). The side brooms will raise to the up position and the display will show a key icon (indicating that the key switch should be cycled off and on).
- 3 The machine has now been reprogrammed to use the new side broom height position.

NOTE: The machine should be stored with the Side Brooms in the raised position. The Side Brooms should be replaced when the bristles are worn to a length of 3 inches (7.62 cm) or they become ineffective.

To replace the Side Broom...

- 1 Raise the Side Broom(s).
- 2 Remove the large Pin (CC) holding the side broom on and remove the broom.
- 3 Install the new broom by sliding it UP onto the shaft and re-installing the Pin (CC).

FIGURE 13



GENERAL MACHINE TROUBLESHOOTING

Problem	Possible Cause	Remedy
Poor water pick-up	Worn or torn squeegee blades	Reverse or replace
	Squeegee out of adjustment	Adjust so blades touch floor evenly across entire width
	Recovery tank full	Empty recovery tank
	Recovery tank drain hose leak	Secure drain hose cap or replace
	Recovery tank cover gasket leak	Replace gasket / Seat cover properly
	Debris caught in squeegee	Clean squeegee tool
	Vacuum hose clogged	Remove debris
	Using too much solution	Reduce flow via control panel solution button
	Foam filter cover not seated	Seat cover properly
Poor scrubbing performance	Worn brush or pad	Rotate or replace brushes
	Wrong brush or pad type	Consult Advance
	Wrong cleaning chemical	Consult Advance
	Moving machine too fast	Slow down
	Not using enough solution	Increase flow via control panel solution button
Scrub Motors Do Not Run	Tripped 20 Amp (F3) circuit breaker	Check for electrical short circuit & reset
Inadequate solution flow or no solution	Solution tank empty	Fill solution tank
	Solution lines, valves, filter or trough clogged	Flush lines, trough and clean solution filter
	Solution turned OFF	Activate flow via control panel solution button
	Solution solenoid valve plugged or defective	Clean or replace valve (see service manual)
Machine does not run	Emergency stop switch tripped	Reconnect battery connectors
	Operator seat safety switch	Check for open circuit and replace
	Main system controller	Check error fault codes (see service manual)
	Tripped 3 Amp (F1) circuit breaker	Check for electrical short circuit & reset
No FWD/REV wheel drive	Drive system speed controller	Check error fault codes (see service manual)
	Emergency stop switch tripped	Reconnect battery connectors
Vacuum shuts off and display shows "FULL" when recovery tank is not full	Plugged squeegee hose	Clear debris
	Vacuuuming large amounts of water at a high travel speed	Slow down or disable auto shut-off feature (see service manual)
Poor Sweeping Performance (Cylindrical System)	Hopper Full	Empty and clean hopper
	Brushes worn	Replace brushes
	Bristles have taken a set	Rotate brushes
No Detergent Flow (EcoFlex models only)	Empty detergent cartridge	Fill detergent cartridge
	Plugged or kinked detergent flow line	Purge system, straighten lines to remove any kinks
	Dry seal cap on detergent cartridge not sealed	Reseat dry seal cap
	Detergent pump wiring disconnected or backwards	Connect or reconnect wiring

TECHNICAL SPECIFICATIONS (as installed and tested on the unit)

Model		Condor™ 4030C	Condor™ 4530C	Condor™ 4830C
		Condor™ 4030D	Condor™ 4530D	Condor™ 4830D
		Condor™ 4030C (no sweep)	Condor™ 4530C (no sweep)	Condor™ 4830C(no sweep)
Model No.		56413001 56413000 56413891	56413003 56413002 56413892	56413005 56413004 56413893
Voltage, Batteries	V	36V	36V	36V
Battery Capacity	Ah	480	480	480
Protection Grade		IPX3	IPX3	IPX3
Sound Pressure Level IEC 60335-2-72: 2002 Amend. 1:2005, ISO 11201	dB(A)/20µPa	76	76	76
Sound Pressure level - KpA (IEC 60335-2-72, ISO 11201) Uncertainty	dB(A)	3.0	3.0	3.0
Sound Pressure Level IEC 60335-2-72: 2002 Amend. 1:2005, ISO 11201	dB(A)/20µPa	72	72	72
Sound Pressure level - KpA (IEC 60335-2-72, ISO 11201) Uncertainty	dB(A)	3.0	3.0	3.0
Gross Weight	lbs / kg	3325 / 1508	3365 / 1526	3410 / 1547
Transportation Weight	lbs / kg	2897 / 1314	2937 / 1332	2982 / 1353
Gross Weight	lbs / kg	3220 / 1460	3270 / 1483	3320 / 1506
Transportation Weight	lbs / kg	2792 / 1266	2842 / 1289	2892 / 1312
Maximum Wheel Floor Loading (center front)	psi / kg/cm ²	116/ 119.9	116/ 119.9	116/ 119.9
Maximum Wheel Floor Loading (right rear)	psi / kg/cm ²	81 / 83.7	81 / 83.7	81 / 83.7
Maximum Wheel Floor Loading (left rear)	psi / kg/cm ²	86 / 88.9	86 / 88.9	86 / 88.9
Vibrations at the Hand Controls (ISO 5349-1)	m/s ²	<1.12m/s ²	<1.12m/s ²	<1.12m/s ²
Vibrations at the Hand Controls (ISO 5349-1) Uncertainty	m/s ²	.11 m/s ²	.11 m/s ²	.11 m/s ²
Vibrations at the Seat (EN 1032)	m/s ²	<0.35m/s ²	<0.35m/s ²	<0.35m/s ²
Vibrations at the Seat (EN 1032) Uncertainty	m/s ²	0.035m/s ²	0.035m/s ²	0.035m/s ²
Gradeability				
Transport		16% (9°)	16% (9°)	16% (9°)
Cleaning		10.5% (6°)	10.5% (6°)	10.5% (6°)

Model		Condor™ X4030C	Condor™ X4530C	Condor™ X4830C
		Condor™ X4030D	Condor™ X4530D	Condor™ X4830D
		Condor™ X4030C (no sweep)	Condor™ X4530C (no sweep)	Condor™ X4830C(no sweep)
Model No.		56381033 56381032 56381043	56381035 56381034 56381044	56381037 56381036 56381045
Voltage, Batteries	V	36V	36V	36V
Battery Capacity	Ah	480	480	480
Protection Grade		IPX3	IPX3	IPX3
Sound Pressure Level IEC 60335-2-72: 2002 Amend. 1:2005, ISO 11201	dB(A)/20µPa	76	76	76
Sound Pressure level - KpA (IEC 60335-2-72, ISO 11201) Uncertainty	dB(A)	3.0	3.0	3.0
Sound Pressure Level IEC 60335-2-72: 2002 Amend. 1:2005, ISO 11201	dB(A)/20µPa	72	72	72
Sound Pressure level - KpA (IEC 60335-2-72, ISO 11201) Uncertainty	dB(A)	3.0	3.0	3.0
Gross Weight	lbs / kg	3325 / 1508	3365 / 1526	3410 / 1547
Transportation Weight	lbs / kg	2897 / 1314	2937 / 1332	2982 / 1353
Gross Weight	lbs / kg	3220 / 1460	3270 / 1483	3320 / 1506
Transportation Weight	lbs / kg	2792 / 1266	2842 / 1289	2892 / 1312
Maximum Wheel Floor Loading (center front)	psi / kg/cm ²	116/ 119.9	116/ 119.9	116/ 119.9
Maximum Wheel Floor Loading (right rear)	psi / kg/cm ²	81 / 83.7	81 / 83.7	81 / 83.7
Maximum Wheel Floor Loading (left rear)	psi / kg/cm ²	86 / 88.9	86 / 88.9	86 / 88.9
Vibrations at the Hand Controls (ISO 5349-1)	m/s ²	<1.12m/s ²	<1.12m/s ²	<1.12m/s ²
Vibrations at the Hand Controls (ISO 5349-1) Uncertainty	m/s ²	.11 m/s ²	.11 m/s ²	.11 m/s ²
Vibrations at the Seat (EN 1032)	m/s ²	<0.35m/s ²	<0.35m/s ²	<0.35m/s ²
Vibrations at the Seat (EN 1032) Uncertainty	m/s ²	0.035m/s ²	0.035m/s ²	0.035m/s ²
Gradeability				
Transport		16% (9°)	16% (9°)	16% (9°)
Cleaning		10.5% (6°)	10.5% (6°)	10.5% (6°)

X = EcoFlex

ÍNDICE

	página	página	
Introducción	B-2	Manejo de la máquina	B-14 – B-15
Precauciones y advertencias.....	B-3	Fregado	B-14 – B-15
Conozca su máquina.....	B-4 – B-5	Aspiración en húmedo.....	B-15
Panel de control.....	B-6	Después de la utilización.....	B-16
Preparación de la máquina para el uso		Programa de mantenimiento	B-16
Instalación de las baterías.....	B-7	Lubricación de la máquina.....	B-16 – B-17
Instalación de los cepillos.....	B-8 – B-9	Recarga de las baterías	B-18
Llenado del depósito de solución	B-10	Comprobación del nivel de agua de las baterías	B-18
Instalación de la boquilla	B-11	Mantenimiento de la boquilla.....	B-19
Sistema de detergente	B-12 – B-13	Ajuste de la boquilla	B-19
		Mantenimiento de la faldilla lateral	B-20 – B-21
		Mantenimiento del cepillo lateral	B-22
		Localización de averías.....	B-23
		Especificaciones técnicas.....	B-24

INTRODUCCIÓN

Este manual le ayudará a obtener el máximo rendimiento de su Limpiadora sobre ruedas Advance. Léalo con atención antes de utilizar la máquina.

Nota: Los números que aparecen en negrita entre paréntesis indican elementos ilustrados en las páginas B-4 – B-6.

Este producto está destinado exclusivamente a uso comercial.

COMPONENTES Y SERVICIO

Las reparaciones, cuando sean necesarias, deben ser realizadas por su Centro Autorizado de Servicio Advance que utiliza personal de servicio formado en fábrica y lleva un inventario de piezas de repuesto y accesorios Advance originales.

Llame al DISTRIBUIDOR ADVANCE que se indica a continuación para lo referente a piezas de repuesto y servicio. Por favor, especifique el Modelo y Número de Serie cuando hable de su máquina.

(Distribuidor, coloque aquí la pegatina de su servicio.)

PLACA DE IDENTIFICACIÓN

El Número de Modelo y Número de Serie de la máquina se indican en la placa de identificación instalada en ella. Esta información es necesaria a la hora de solicitar repuestos para la máquina. Utilice el espacio situado más abajo para anotar el Modelo y Número de Serie de la máquina para futuras consultas.

NÚMERO DE MODELO _____

NÚMERO DE SERIE _____

DESEMBALAJE DE LA MÁQUINA

Cuando reciba la máquina, examine con atención el embalaje y la máquina, con el fin de comprobar si existe algún daño. Si observa algún daño, guarde la caja de embalaje (si procede) para que se pueda inspeccionar. Póngase en contacto inmediatamente con el Departamento de Servicio al Cliente de Advance para presentar una reclamación por daños en transporte. Consulte la hoja de instrucciones de desembalaje incluida con la máquina para sacar la máquina del palet.

ADVERTENCIA:

Los Productos a la venta en este Manual contienen, o pueden contener, productos químicos reconocidos por algunos gobiernos (como el Estado de California, según lo indica en su Proposición 65, Ley de Advertencia Regulatoria) como causantes de cáncer, defectos de nacimiento u otros daños reproductivos. En algunas jurisdicciones (incluido el Estado de California), los compradores de estos Productos que los coloquen en servicio en un emplazamiento laboral o en un espacio de acceso público tienen la obligación regulatoria de realizar determinados avisos, advertencias o divulgaciones respecto de los productos químicos contenidos o posiblemente contenidos en los Productos utilizados en tal lugar. Es la responsabilidad del comprador conocer y cumplir con todas las leyes y reglamentaciones relacionadas con el uso de estos Productos en tales entornos. El Fabricante niega toda responsabilidad de informar a los compradores sobre requisitos específicos que pueden regir el uso de los Productos en tales entornos.

PRECAUCIONES Y ADVERTENCIAS

SÍMBOLOS

Advance utiliza los símbolos que aparecen a continuación para indicar situaciones potencialmente peligrosas. Lea siempre con atención esta información y tome las medidas necesarias para la protección del personal y los objetos.

¡PELIGRO!

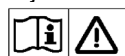
Se utiliza para advertir de peligros inmediatos que pueden producir graves daños personales o la muerte.

¡ADVERTENCIA!

Se utiliza para llamar la atención sobre una situación que puede causar graves daños personales.

¡PRECAUCIÓN!

Se utiliza para llamar la atención sobre una situación que puede causar daños personales leves o daños a la máquina u otros objetos.



Lea todas y cada una de las instrucciones antes de utilizar el aparato.

INSTRUCCIONES GENERALES DE SEGURIDAD

Se incluyen Precauciones y Advertencias específicas que le advierten de los posibles riesgos de daño a la máquina o daño corporal.

¡ADVERTENCIA!

- Sólo deben utilizar esta máquina las personas autorizadas y con la formación adecuada.
- Si se encuentra sobre una rampa o inclinación, evite las paradas bruscas cuando lleve carga. No tome las curvas bruscamente. Utilice una velocidad lenta si va cuesta abajo. Limpie sólo yendo cuesta arriba.
- Mantenga las chispas, llamas y materiales de fumadores alejados de las baterías. Durante el funcionamiento normal se desprenden gases explosivos.
- Al recargar las baterías se produce gas de hidrógeno altamente explosivo. Recargue las baterías exclusivamente en zonas bien ventiladas, lejos de llamas sin proteger. No fume mientras recarga las baterías.
- Quítese todas las joyas cuando trabaje cerca de componentes eléctricos.
- Ponga el conmutador en posición de apagado (O) y desconecte las baterías antes de revisar los componentes eléctricos.
- No trabaje nunca debajo de la máquina sin colocar antes bloques o soportes de seguridad en los que apoyar la máquina.
- No aplique sustancias limpiadoras inflamables ni utilice la máquina sobre estas sustancias, cerca de ellas, ni en zonas en las que haya líquidos inflamables.
- No lave la máquina con una limpiadora a presión.
- Use solamente los cepillos suministrados junto con el aparato o aquellos especificados en el manual de instrucciones. El uso de otros cepillos puede afectar a la seguridad.

¡PRECAUCIÓN!

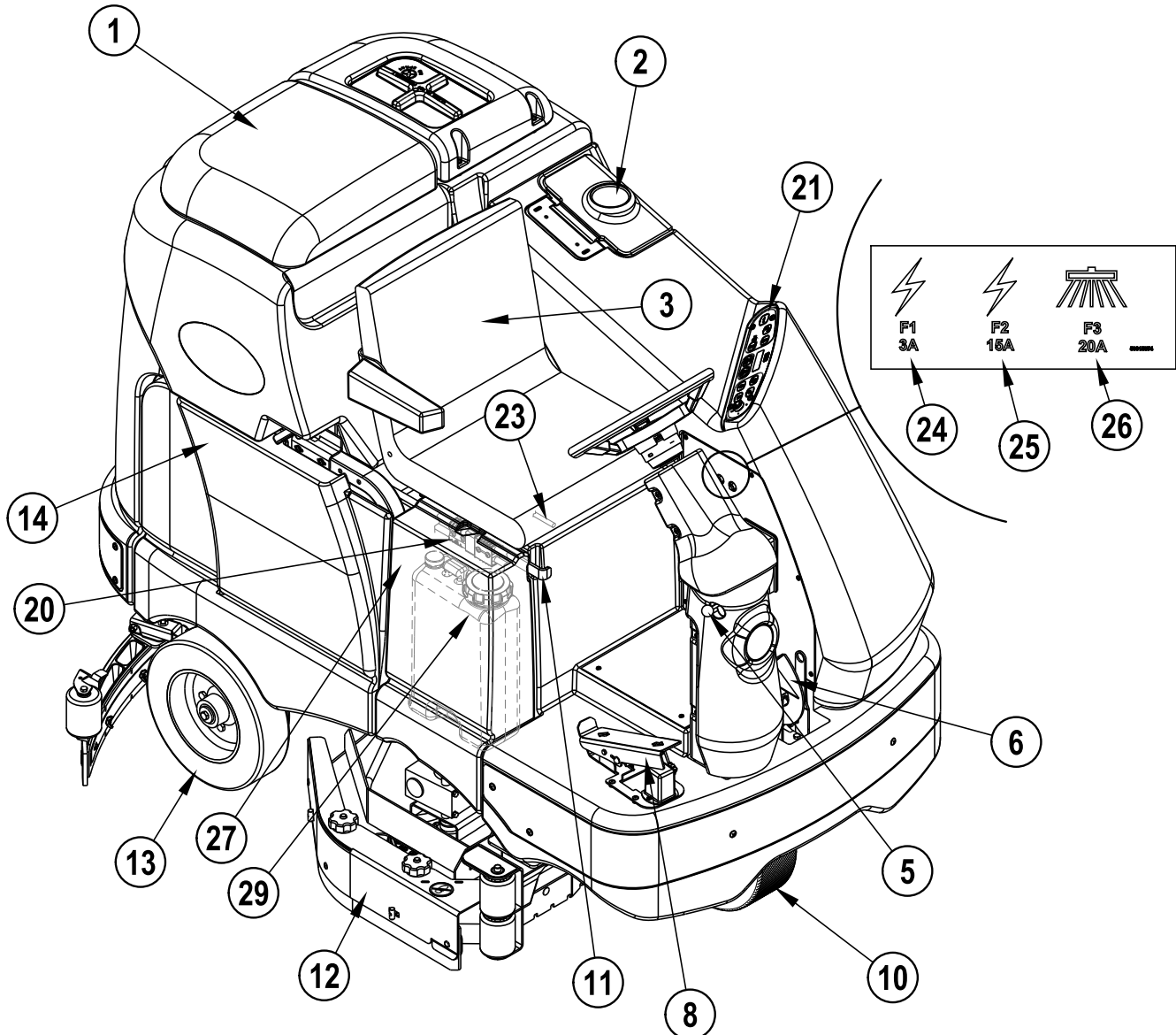
- Esta máquina no ha sido aprobada para su uso en vías públicas.
- Esta máquina no es apta para la recogida de polvo peligroso.
- No utilizar discos de escarificación ni piedras abrasivas. No se podrá responsabilizar a Advance de daño alguno a las superficies de los suelos causado por escarificadores o piedras abrasivas (también puede causar daños al sistema de tracción del cepillo).
- Cuando utilice la máquina, asegúrese de que no existe peligro para terceras personas, especialmente niños.
- Antes de proceder a cualquier función de servicio, lea con atención todas las instrucciones relativas a dicha función.
- No abandone la máquina sin antes apagar el interruptor de llave (O), retirar la llave y echar el freno de estacionamiento.
- Apague el conmutador de llave (O) y quite la llave antes de cambiar los cepillos y antes de abrir cualquiera de los paneles de acceso.
- Tome las debidas precauciones para evitar que el pelo, las joyas o las prendas sueltas queden atrapados entre los componentes móviles.
- Tome las precauciones adecuadas cuando esté moviendo esta máquina mientras hiela. El agua de la solución, los depósitos de recuperación o detergente y de las tuberías puede congelarse, causando daños a las válvulas y accesorios. Limpie con limpiaparabrisas.
- Retire las baterías de la máquina antes de su desguace. Las baterías deben desecharse de forma segura, de acuerdo con la reglamentación medioambiental local.
- No utilice la máquina en superficies con pendientes superiores a las indicadas en la máquina.
- Antes de utilizar la máquina, todas las puertas y cubiertas deberían estar colocadas como se indica en el manual de instrucciones.

GUARDE ESTAS INSTRUCCIONES

CONOZCA SU MÁQUINA

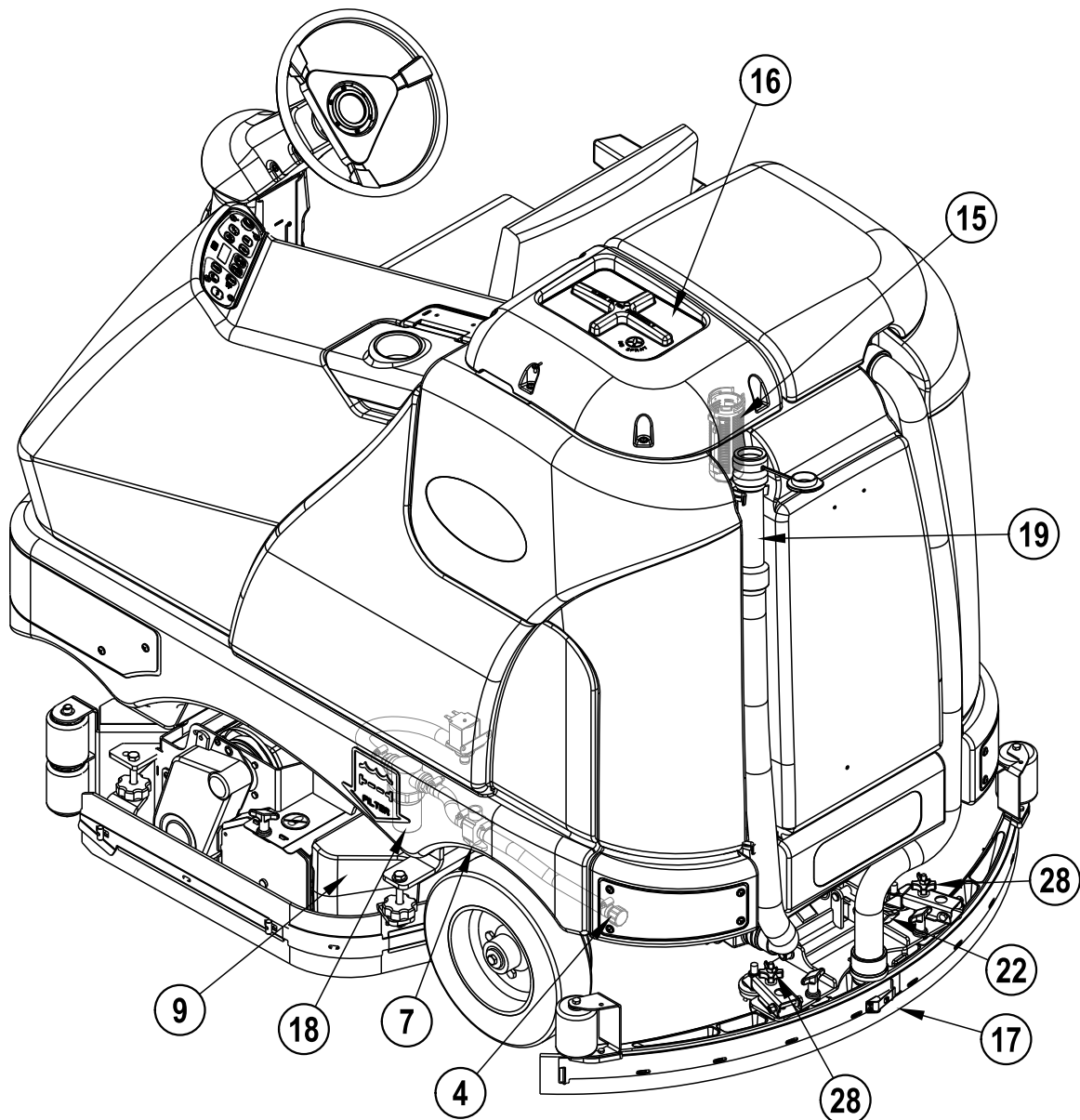
A lo largo de este manual encontrará números o letras en negrita entre paréntesis – por ejemplo: **(2)**. Estos números se refieren a un objeto que se muestra en dicha página, a menos que se indique lo contrario. Consulte estas páginas siempre que lo necesite para localizar los elementos citados en el texto. **NOTA:** Consulte el manual de servicio para obtener explicaciones más detalladas de cada objeto ilustrado en las siguientes 3 páginas.

- 1 Tapa del depósito de recuperación
- 2 Tapa de llenado del depósito de solución
- 3 Asiento del operador
- 4 Tubería de drenaje del depósito de solución
- 5 Botón de ajuste de inclinación del volante
- 6 Pedal de freno / freno de estacionamiento
- 7 Válvula de cierre de la solución
- 8 Pedal de tracción, dirección / velocidad
- 9 Tolva (sólo modelos cilíndricos)
- 10 Volante de tracción y de dirección
- 11 Conmutador de parada de emergencia / desconexión de la batería
- 12 Plataforma de limpieza
- 13 Rueda posterior
- 14 Compartimiento de la batería (bajo depósito de recuperación)



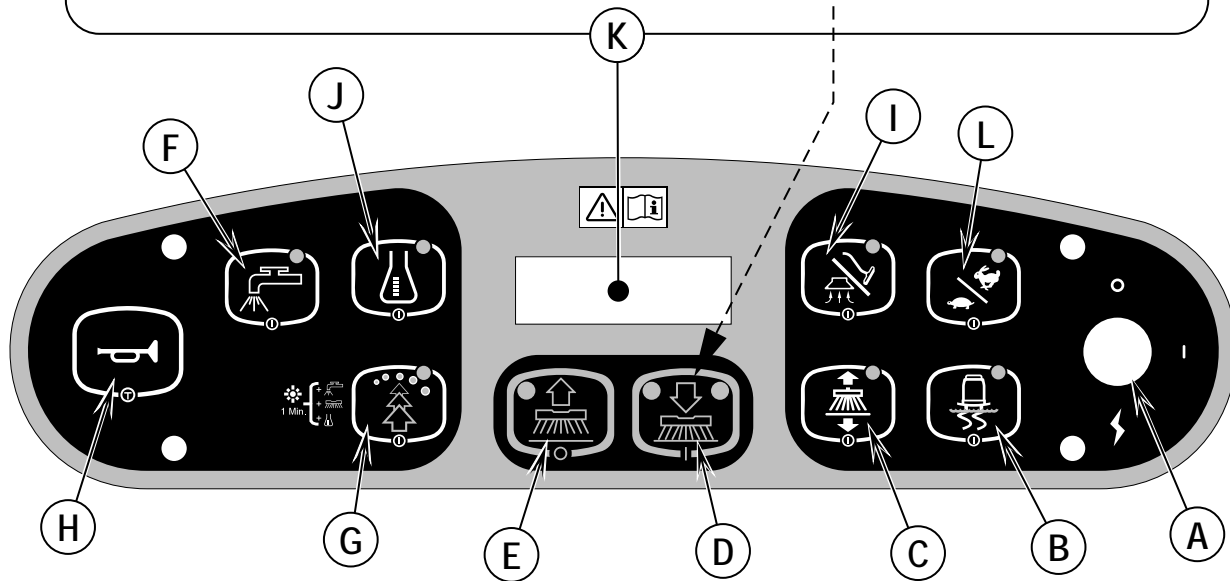
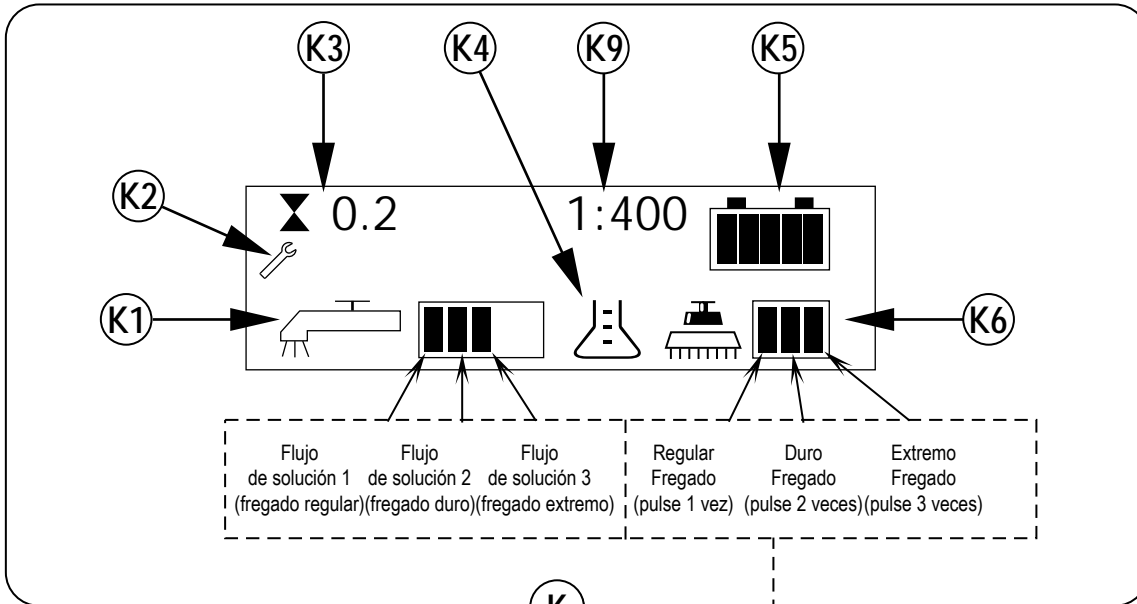
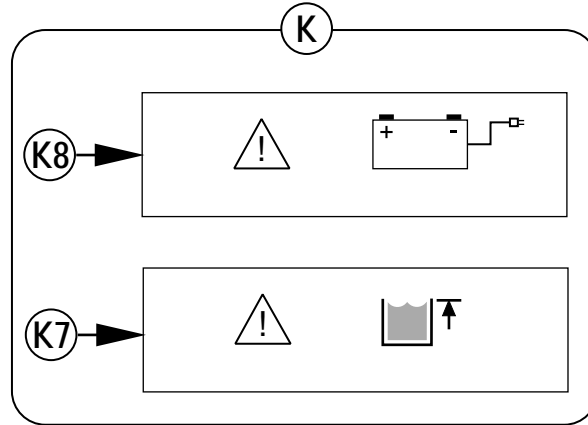
CONOZCA SU MÁQUINA

- 15 Flotador del cierre automático del depósito de recuperación
- 16 Contenedor del filtro del motor de aspiración
- 17 Conjunto de boquilla
- 18 Filtro de la solución
- 19 Tubería de drenaje del depósito de recuperación
- 20 Conector de las baterías de la máquina
- 21 Panel de control
- 22 Botón de ajuste de inclinación de la boquilla
- 23 Palanca de ajuste del asiento del operador
- 24 Disyuntor del circuito de control
- 25 Disyuntor auxiliar
- 26 Disyuntor del motor del cepillo lateral
- 27 Panel de acceso lateral
- 28 Botón de ajuste de altura de la boquilla
- 29 Cartucho de detergente (solo modelos EcoFlex)



PANEL DE CONTROL

- A Conmutador principal
- B Interruptor de control de tracción
- C Interruptor del cepillo lateral (sólo modelos cilíndricos)
- D Fregado encendido / selección del modo de fregado
- E Fregado apagado
- F Conmutador de la solución
- G Interruptor EcoFlex™
- H Claxon
- I Interruptor de aspiración/varilla
- J Sistema de detergente (sólo modelos EcoFlex)
- K Pantalla
- K1 Indicador de flujo de la solución
- K2 Indicador de error
- K3 Cronómetro
- K4 Indicador detergente (si está instalado)
- K5 Indicador de batería
- K6 Indicador de la presión del fregado
- K7 Indicador de llenado del depósito de recuperación
- K8 Indicador de batería baja
- K9 Indicador de mezcla de detergente
- L Interruptor de velocidad de fregado



INSTALACIÓN DE LAS BATERÍAS



¡ADVERTENCIA!

Tome las máximas precauciones cuando trabaje con las baterías. El ácido sulfúrico de las baterías puede causar daños graves si entra en contacto con la piel o con los ojos. Desde el interior de las baterías se libera gas explosivo de hidrógeno a través de unas aperturas en las tapas de las baterías. Este gas puede incendiarse con cualquier arco eléctrico, chispa o llama. No instale baterías de plomo-ácido en un contenedor cerrado. El gas de hidrógeno debido a la sobrecarga debe poder liberarse.

Cuando revise las baterías...

- * Qúitese todas las joyas
- * No fume
- * Lleve gafas de seguridad, un delantal de goma y guantes de goma
- * Trabaje en una zona bien ventilada
- * No permita que las herramientas toquen simultáneamente más de un terminal de batería
- * Al sustituir las baterías, desconecte SIEMPRE en primer lugar el cable (de tierra) negativo para evitar chispas.
- * Al instalar las baterías, conecte SIEMPRE el cable negativo al final.

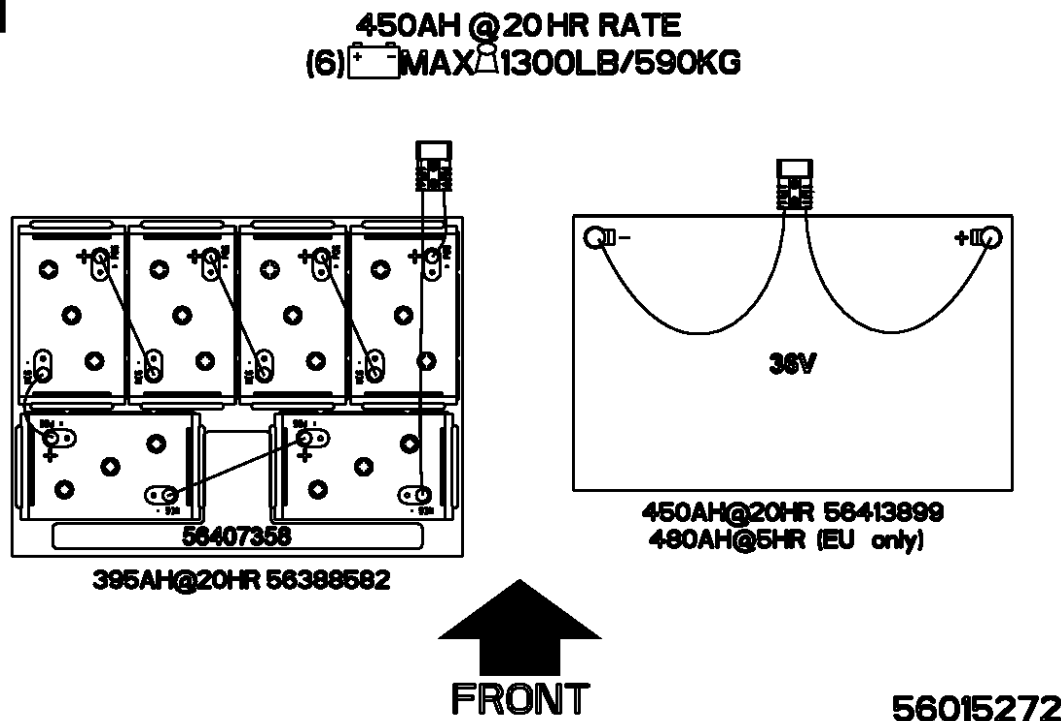


¡PRECAUCIÓN!

Los componentes eléctricos de esta máquina pueden dañarse seriamente si las baterías no están instaladas o conectadas correctamente. Las baterías deben ser instaladas por Advance o por un electricista cualificado.

- 1 Retire las baterías de su caja de embalaje e inspecciónelas para ver si existen grietas u otros daños. Si los daños son evidentes, póngase en contacto inmediatamente con el transportista que se las entregó para presentar una reclamación por daños en transporte.
- 2 Apague el conmutador principal de llave (A) y quite la llave.
- 3 Retire el depósito de recuperación del aparato. **NOTA:** Desconecte el cabo y el cableado del motor de aspiración, levante el depósito en línea recta hacia arriba y extráigalo del aparato.
- 4 Su máquina viene de fábrica con suficientes cables para instalar 6 baterías de 6 voltios. Con al menos (2) personas y una correa de levantamiento apropiada, levante las baterías con cuidado para meterlas en el compartimento de las baterías y colóquelas exactamente como se muestra en la **FIGURA 1**. Ponga las baterías tan cerca de la parte delantera de la máquina como pueda. Si instala una batería monobloque, utilice un montacargas.
- 5 Instale los cables de las baterías como se muestra. Ponga los cables de forma que las cubiertas de las baterías puedan retirarse fácilmente para el mantenimiento de las baterías.
- 6 Apriete con cuidado las tuercas de los terminales de las baterías hasta que el terminal no gire. No apriete demasiado los terminales; de lo contrario será muy difícil retirarlos en futuras operaciones de mantenimiento.
- 7 Bañe los terminales con revestimiento para terminales de baterías en pulverizador (disponible en la mayoría de las tiendas de material para coches).
- 8 Ponga un manguito de goma negro encima de cada terminal y conecte el conector del conjunto de las baterías (20).

FIGURA 1



INSTALACIÓN DE LOS CEPILLOS (SISTEMA DE DISCO)

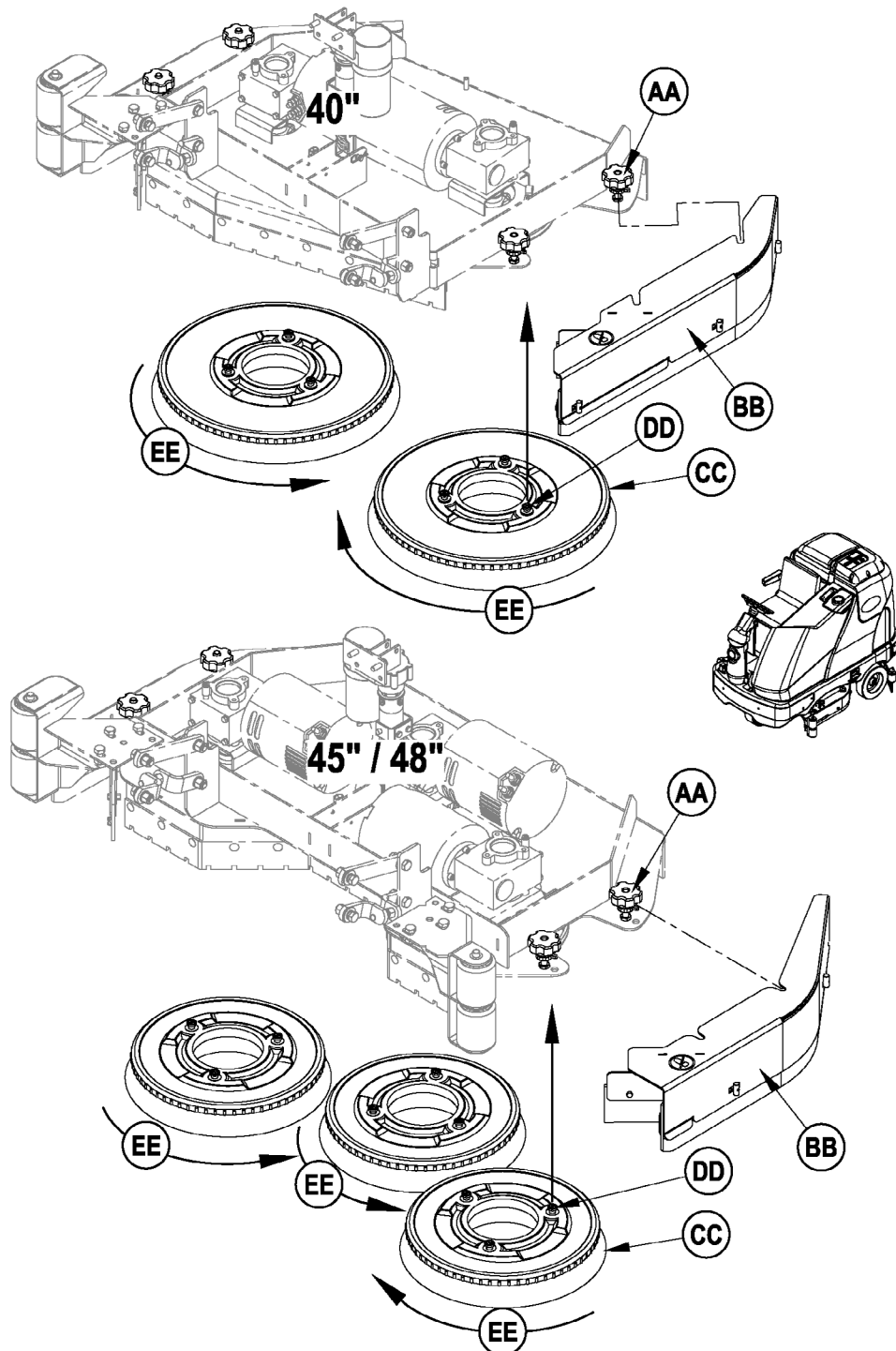


¡PRECAUCIÓN!

Apague el conmutador de llave (O) y quite la llave antes de cambiar los cepillos y antes de abrir cualquiera de los paneles de acceso.

- 1 Asegúrese de que la plataforma de limpieza se encuentre en la posición ELEVADA. Asegúrese de que está apagado (O) el conmutador de llave (A).
- 2 **Ver la Figura 2.** Retire las dos faldillas laterales. **NOTA:** Las faldillas están sujetas a cada lado por dos grandes botones (AA). Afloje ambos botones y deslice las faldillas (BB) hacia fuera de la plataforma de limpieza.
- 3 Para montar los cepillos (CC) (o los portabayetas), alinee las lengüetas (DD) del cepillo con las ranuras de la bandeja de montaje y gire para que se bloquee en su posición (gire el borde exterior del cepillo hacia la parte delantera de la máquina como se muestra (EE)).

FIGURA 2



INSTALACIÓN DE LOS CEPILLOS (SISTEMA CILÍNDRICO)

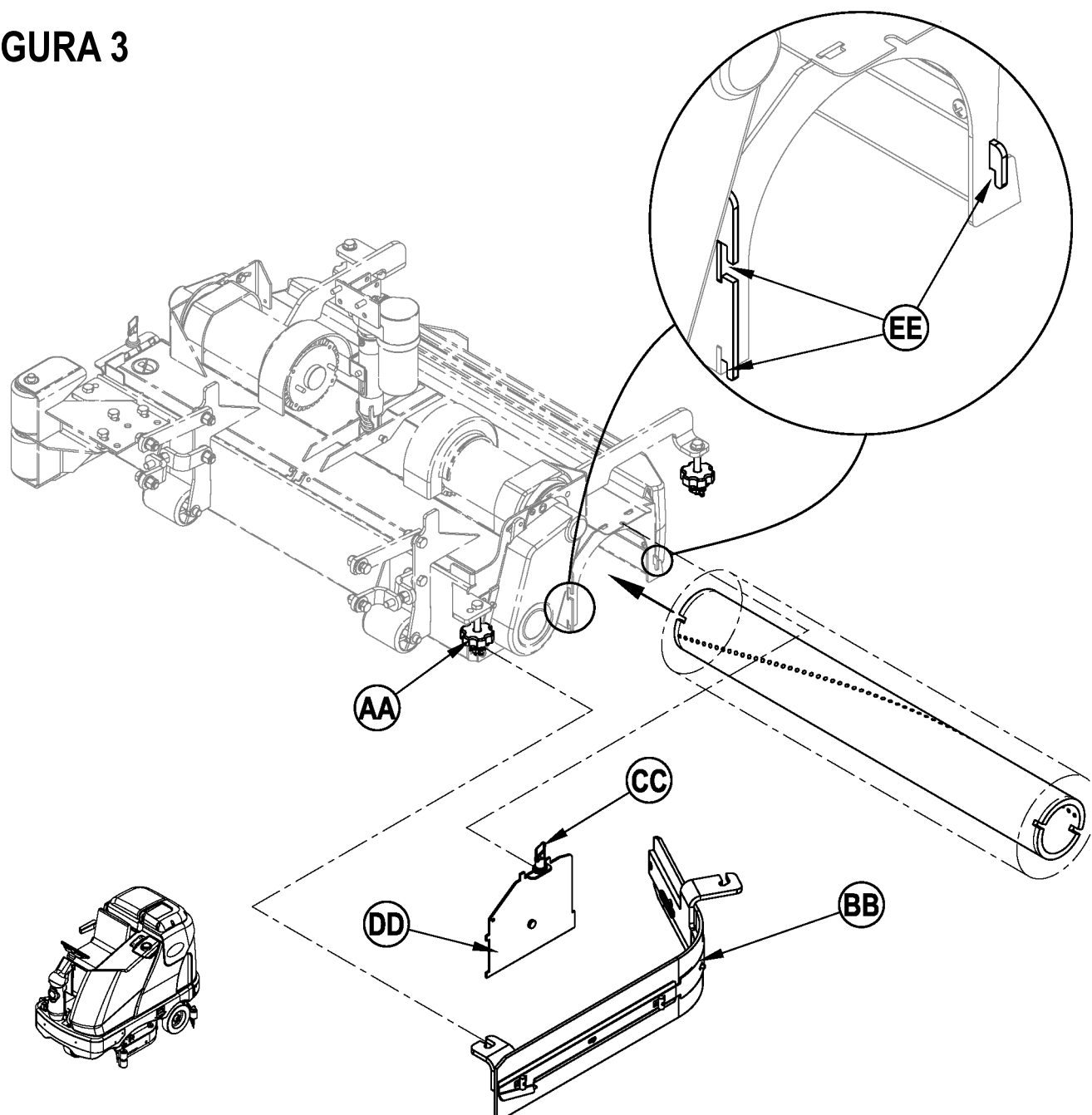


¡PRECAUCIÓN!

Apague el conmutador de llave (O) y quite la llave antes de cambiar los cepillos y antes de abrir cualquiera de los paneles de acceso.

- 1 Asegúrese de que la plataforma de limpieza se encuentre en la posición ELEVADA. Asegúrese de que está apagado (O) el conmutador de llave (A).
- 2 **Ver la Figura 3.** Retire las dos faldillas laterales. **NOTA:** Las faldillas están sujetas a cada lado por dos grandes botones (AA). Afloje ambos botones, deslice las faldillas (BB) hacia delante ligeramente y luego hacia fuera de la plataforma de limpieza.
- 3 Afloje los botones negros (CC) que están en la parte superior de los conjuntos en vacío (DD) hasta que caigan lo suficientemente lejos como para desacoplarse de las muescas (EE) y retírelos.
- 4 Deslice el cepillo en el contenedor, levante ligeramente, empuje y gire hasta que se asiente. Vuelva a instalar los conjuntos en vacío (DD) y las faldillas (BB).

FIGURA 3



LLENADO DEL DEPÓSITO DE SOLUCIÓN

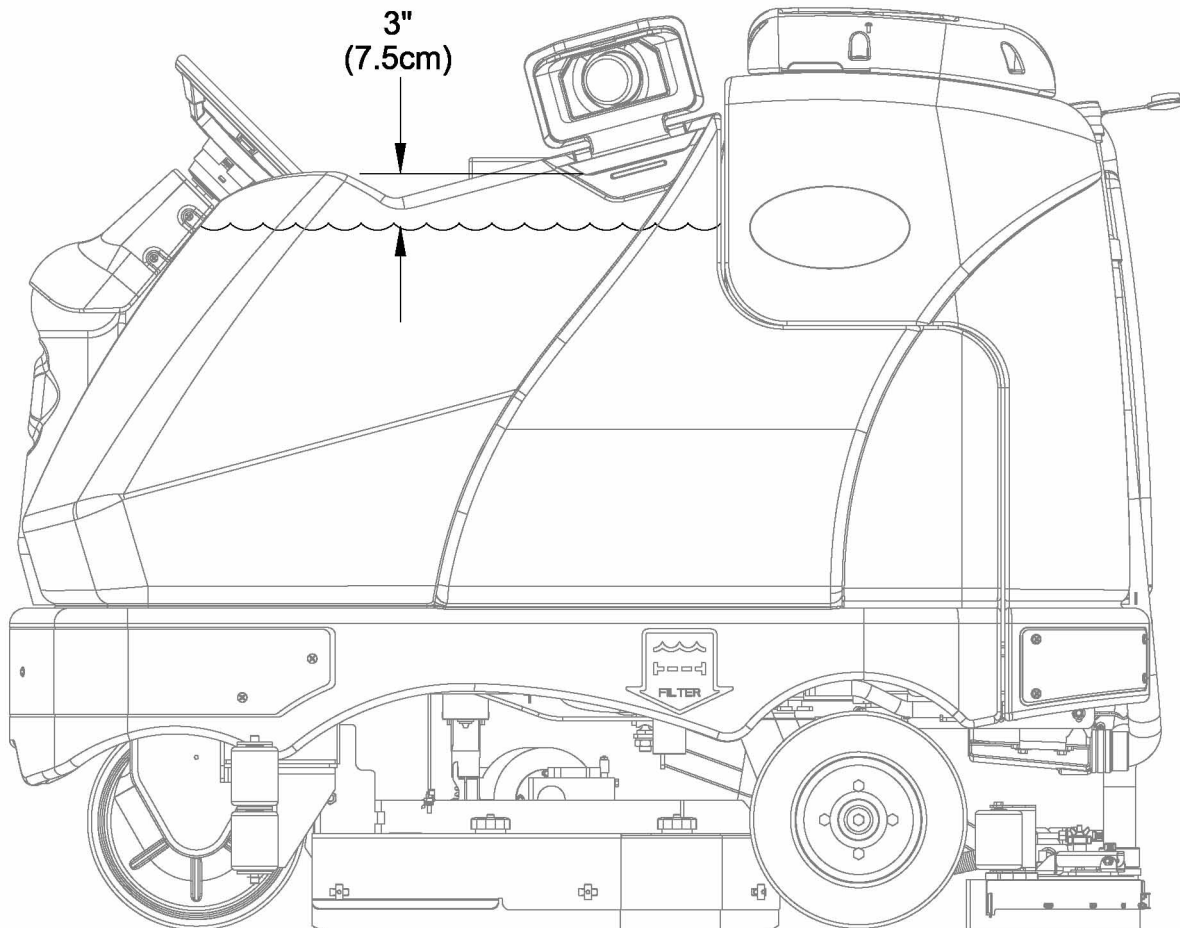
Ver Figura 4. Llène el depósito de solución con 70 galones (264 Litros) de solución limpiadora como máximo. No llene el depósito de solución por encima de 7,5 cm (3 pulgadas) de la parte inferior del depósito (2). La solución debe ser una mezcla de agua y el limpiador químico apropiado para la aplicación. Siga siempre las instrucciones que aparecen en la etiqueta del envase del producto químico. **NOTA:** Las máquinas EcoFlex™ pueden utilizarse normalmente con detergente mezclado en el depósito o con el sistema de aplicación de detergente. Al utilizar el sistema de aplicación de detergente, no mezcle detergente en el depósito; utilice agua.



¡PRECAUCIÓN!

Utilice únicamente detergentes líquidos no inflamables de bajo poder espumante que estén diseñados para aplicaciones de fregado automático. La temperatura del agua no deberá superar los 130 grados Fahrenheit (54,4 grados Celsius)

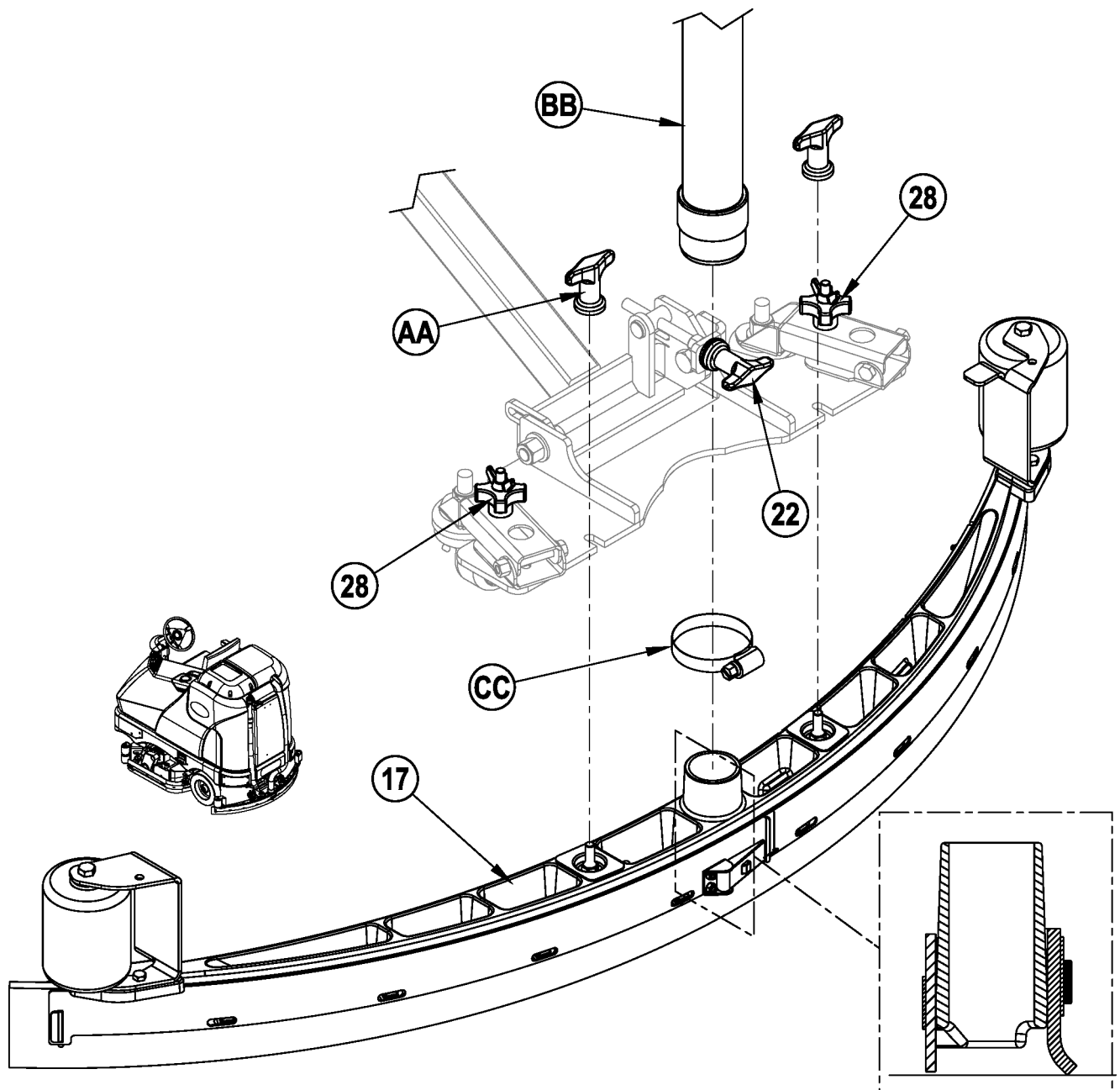
FIGURA 4



INSTALACIÓN DE LA BOQUILLA

- 1 Ver la Figura 5. Deslice en conjunto de la boquilla (17) sobre la abrazadera de montaje de la boquilla y apriete las tuercas de palomilla de montaje de la boquilla (AA).
- 2 Conecte la tubería de recuperación (BB) a la entrada de la boquilla mediante la pinza de la manguera (CC).
- 3 Baje la boquilla, desplace la máquina hacia delante y ajuste la inclinación y la altura de la boquilla utilizando el botón de ajuste de inclinación de la boquilla (22) y los botones de ajuste de altura de la boquilla (28) de modo que la cuchilla de la boquilla trasera toque el suelo homogéneamente en toda la anchura y se doble ligeramente como se muestra en la sección transversal de la boquilla.

FIGURA 5



REPARACIÓN Y USO DEL SISTEMA DE DETERGENTE (SOLO MODELOS ECOFLEX)

INSTRUCCIONES COMUNES:

Si se presiona y se suelta el interruptor de detergente (**J**) mientras el sistema de la solución está activo, el sistema de detergente se encenderá y apagará alternativamente. Elimine del sistema el detergente utilizado anteriormente antes de cambiar a un detergente diferente. **NOTA DE SERVICIO:** desplace la máquina sobre un punto de drenaje en el suelo antes de eliminar el detergente, porque saldrá una pequeña cantidad durante el proceso.

Purgar al cambiar productos químicos:

- 1 Desconecte y retire el cartucho de detergente.
- 2 Encienda el interruptor de contacto (**A**). Pulse y mantenga pulsado el interruptor de la solución (**F**) y el interruptor de detergente (**J**) durante 3 segundos. **NOTA:** una vez activado, el proceso de purga dura 10 segundos. Consulte los indicadores del sistema de detergente en la ilustración de la página siguiente. Por lo general, un solo ciclo de purga es suficiente para purgar el sistema.

Purgar semanalmente:

- 1 Desconecte y retire el cartucho de detergente. Instale y conecte un cartucho lleno de agua limpia.
- 2 Encienda el interruptor de contacto (**A**). Pulse y mantenga pulsado el interruptor de la solución (**F**) y el interruptor de detergente (**J**) durante 3 segundos. **NOTA:** una vez activado, el proceso de purga dura 10 segundos. Consulte los indicadores del sistema de detergente en la ilustración de la página siguiente. Por lo general, un solo ciclo de purga es suficiente para purgar el sistema.

Mezcla de detergente:

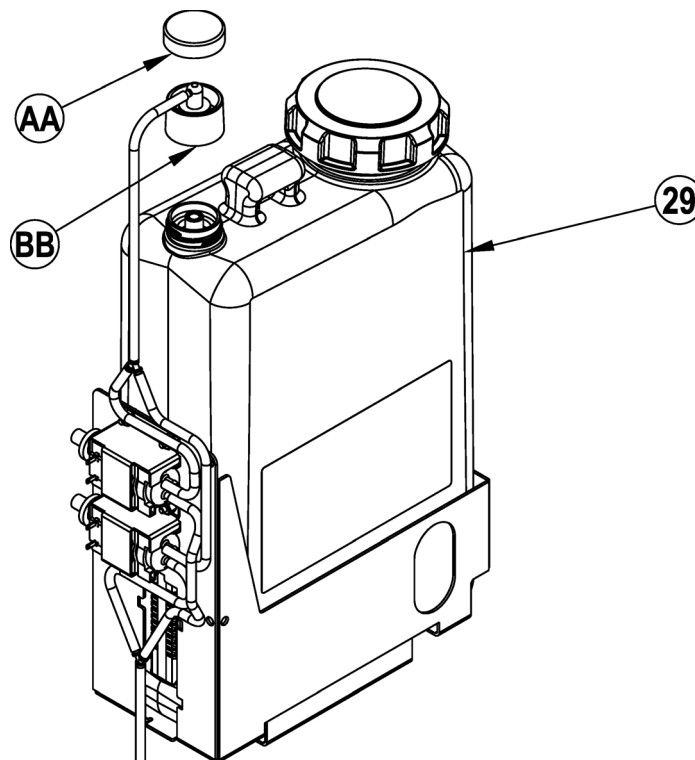
- 1 La mezcla de detergente está bloqueada en 1:400, excepto si se anula el modo de limpieza EcoFlex. Es posible ajustar la mezcla preprogramada que se utiliza durante la anulación del modo EcoFlex. Con el sistema de detergente apagado, presione y mantenga presionado el interruptor de encendido/apagado de detergente (**J**) durante 2 segundos. El indicador de detergente parpadeará y cada pulsación del interruptor realizará un ciclo a través de las mezclas disponibles (1:32, 1:50, 1:64, 1:100, 1:128, 1:150, 1:200, 1:256, 1:300, 1:400). Cuando la mezcla deseada se muestre en la pantalla (**K9**), pare y se bloqueará tras 5 segundos.
- 2 Estando EcoFlex en la posición de APAGADO/desactivado (LED apagado), puede ajustarse la mezcla de detergente. Con el sistema de detergente apagado, presione y mantenga presionado el interruptor de encendido/apagado de detergente (**J**) durante 2 segundos. El indicador del detergente parpadeará y cada vez que se pulse el interruptor irá pasando por todas las mezclas disponibles (ver arriba) Cuando la mezcla deseada se muestre en la pantalla (**K9**), pare y se bloqueará tras 5 segundos.

INSTRUCCIONES PARA EL CARTUCHO:

El cartucho de detergente (**29**) está situado detrás de la puerta de panel de acceso lateral (**27**). Llene el cartucho de detergente con 8,32 litros de detergente como máximo. **NOTA DE SERVICIO:** retire el cartucho de la caja de detergente antes de llenarlo para no derramar detergente sobre la máquina.

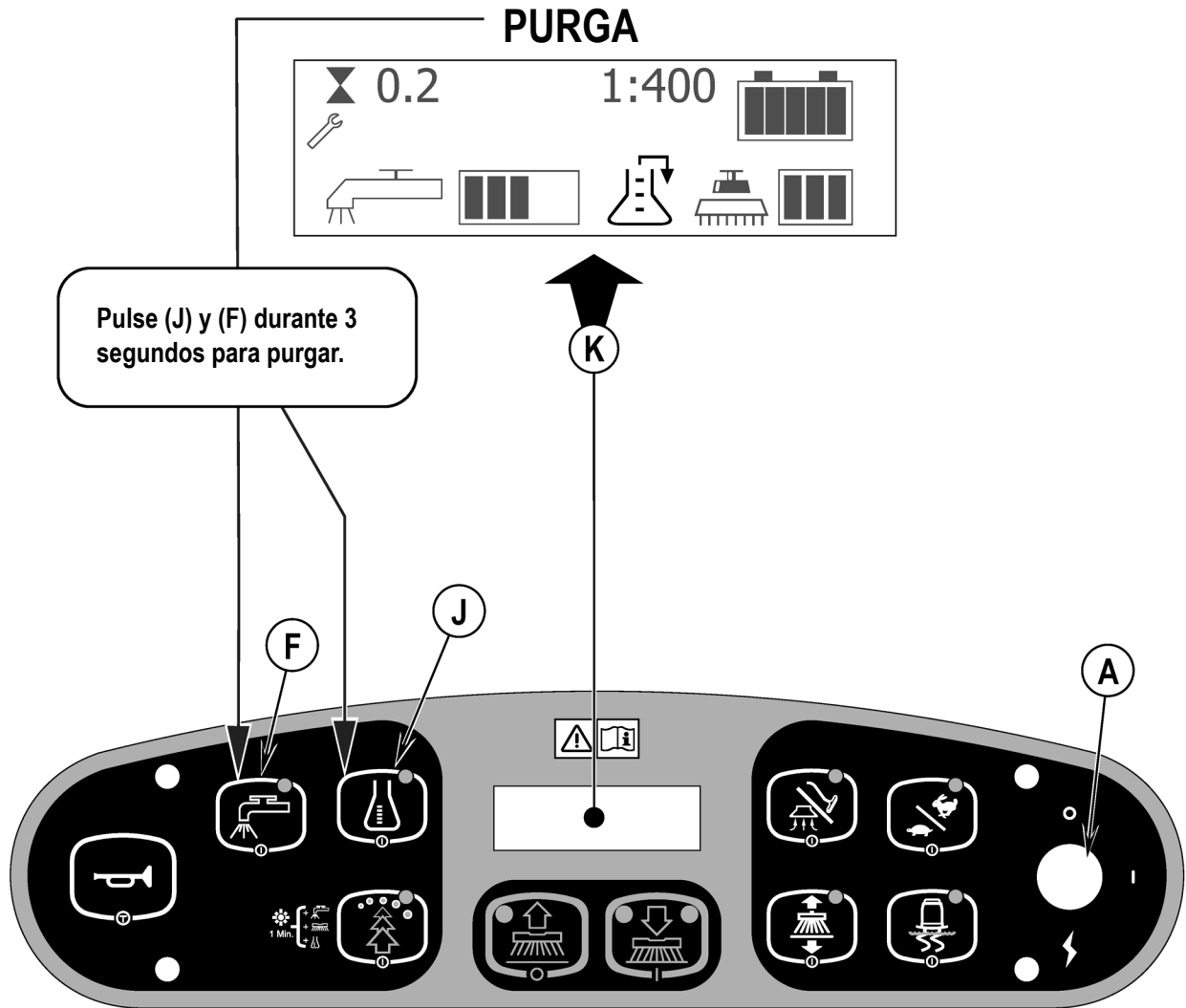
Se recomienda utilizar un cartucho individual para cada detergente que planea usar. Los cartuchos de detergente tienen una pegatina blanca, de modo que puede escribir el nombre del detergente en cada cartucho para no mezclarlos. Elimine del sistema el detergente utilizado anteriormente antes de cambiar a un detergente diferente. Al instalar un nuevo cartucho, retire la tapa (**AA**) y coloque el cartucho en la caja de detergente. Instale la tapa sellada (**BB**) y el tubo de detergente como se muestra.

FIGURA 6



REPARACIÓN Y USO DEL SISTEMA DE DETERGENTE (AXP™)

FIGURA 7



MANEJO DE LA MÁQUINA



¡ADVERTENCIA!

Asegúrese de que comprende los controles del operador y sus funciones.

Si se encuentra sobre una rampa o inclinación, evite las paradas bruscas cuando lleve carga. No tome las curvas bruscamente. Utilice una velocidad lenta si va cuesta abajo. Limpie sólo yendo cuesta arriba.

Para fregar...

Siga las instrucciones de la sección "Preparación de la máquina para el uso" de este manual.

- 1 Ver la **Figura 8**. Sentado en la máquina y utilizando los controles de ajuste (**23**) y (**5**), coloque el asiento y el volante en una posición de funcionamiento cómoda.
- 2 Encienda (I) el conmutador principal de llave (**A**). Se encenderán las luces indicadores del panel de control. Consulte el indicador de situación de las baterías (**K5**) y el cronómetro (**K3**) antes de proceder.
- 3 Suelte el freno de estacionamiento (**6**). Para llevar la máquina a la zona de trabajo, aplique con el pie una presión uniforme en la parte de delante del pedal de tracción (**8**) para ir hacia delante o en la parte de atrás para ir hacia atrás. Cambie la presión que hace en el pedal con el pie para obtener la velocidad deseada.
- 4 Pulse y mantenga pulsado el conmutador de la solución (**F**) durante 5 segundos para mojar previamente el suelo. **NOTA:** Esto ayuda a evitar la escarificación de la superficie del suelo cuando se empieza a fregar con cepillos secos. Esto debe realizarse antes de pulsar el interruptor de encendido del fregado (**D**).
- 5 Pulse el interruptor de encendido del fregado (**D**) una vez para un fregado regular, dos veces para un fregado duro o tres veces para un fregado extremo. El flujo de la solución y el detergente (modelos EcoFlex) tienen 3 preajustes que coinciden con los 3 modos de fregado (consulte el panel de control).

NOTA: Hay una función de reemplazo del flujo de la solución si desea aumentar el flujo de la solución sin aumentar la presión del fregado. Mantenga pulsado el conmutador de la solución (**F**) durante 3 segundos (el indicador de solución empezará a parpadear) y suéltelo. A continuación, dispone de 3 segundos para fijar un flujo diferente pulsando el conmutador de la solución (**F**) varias veces hasta que el indicador de flujo de la solución (**K1**) muestre el índice deseado (1-5 / ver el panel de control). Los siguientes ajustes de presión del fregado pondrán el flujo de la solución en el índice predeterminado.

NOTA: Los sistemas de fregado, solución, aspiración, detergente (modelos EcoFlex) y cepillo lateral (modelos cilíndricos) se habilitan automáticamente cuando se pulsa el interruptor de encendido del fregado (**D**). Cualquier sistema individual puede apagarse o volver a encenderse con sólo pulsar su interruptor en cualquier momento durante el fregado.

- 6 Cuando se selecciona el interruptor de encendido del fregado (**D**), las escobillas, la boquilla y los cepillos laterales (modelos cilíndricos) se bajan automáticamente hasta el suelo. Los sistemas de fregado, solución, aspiración, detergente (modelos EcoFlex) y cepillo lateral (modelos cilíndricos) se inician cuando se activa el pedal de tracción (**8**).

NOTA: Cuando se maneje la máquina marcha atrás, la boquilla se levantará automáticamente.

- 7 Empiece a fregar conduciendo la máquina marcha adelante en línea recta a una velocidad de paseo normal y solape las trayectorias de 2-3 pulgadas (50-75 mm). Ajuste cuando sea necesario la velocidad de la máquina y el flujo de solución según el estado del suelo.

NOTA: La velocidad máxima de fregado puede aumentarse pulsando el interruptor de velocidad de fregado (**L**). La velocidad de fregado máxima normal es el 80% de la velocidad de transporte. Al pulsar este interruptor aumenta al 100% de la velocidad de transporte.

Si se friega en un suelo liso o se realiza un doble fregado encendiendo el botón de control de tracción™ (**B**) se regula el par de la rueda motriz lo cual proporciona mayor control y una tracción mejorada en el suelo.

La altura del cepillo lateral puede ajustarse. Consulte la sección "Mantenimiento del cepillo lateral" de este manual.



¡PRECAUCIÓN!

Para evitar daños al suelo, mantenga la máquina en movimiento cuando los cepillos están girando.

- 8 Cuando friegue, compruebe de vez en cuando que detrás de la máquina se está recogiendo el agua residual. Si queda agua en la trayectoria de la máquina, puede que esté aportando demasiada solución, que el depósito de recogida esté lleno o que la boquilla necesite un ajuste.
- 9 De manera predeterminada, la máquina pasa al modo de limpieza EcoFlex (el indicador del interruptor EcoFlex se ilumina en VERDE) para conservar solución y detergente. Presione el interruptor EcoFlex (**G**) para anular el modo de limpieza EcoFlex y aumentar temporalmente la presión de fregado, el flujo de la solución y la mezcla de detergente. Esto hará que el indicador parpadee en amarillo durante un minuto, el flujo de la solución aumentará al siguiente nivel, la presión de fregado aumentará al siguiente nivel y la mezcla de detergente aumentará a la mezcla preprogramada. Es posible ajustar la mezcla preprogramada que se utiliza durante la anulación del modo EcoFlex. Con el sistema de detergente apagado, presione y mantenga presionado el interruptor de encendido/apagado de detergente (**J**) durante 2 segundos. El indicador de detergente parpadeará y cada pulsación del interruptor realizará un ciclo a través de las mezclas disponibles (1:32, 1:50, 1:64, 1:100, 1:128, 1:150, 1:200, 1:256, 1:300, 1:400). Cuando la mezcla deseada se muestre en la pantalla (**K9**), pare y se bloqueará tras 5 segundos.

NOTA: Al presionar y mantener pulsado el interruptor EcoFlex (**G**) durante 2 segundos se desactivará el sistema EcoFlex. La única manera para volver a activarlo es presionar el interruptor EcoFlex (**G**) nuevamente. Alternar el interruptor de llave (**A**) no vuelve a activar el sistema. El sistema EcoFlex solo funcionará si el Sistema de Fregado (**D**) ha sido activado.

- 10 Para los suelos extremadamente sucios, puede que no sea satisfactoria una operación de fregado de una sola pasada y se puede necesitar una operación de "doble fregado". Esta operación es la misma que el fregado de un solo pase, salvo que en el primer pase la boquilla está en la posición levantada (presione el Interruptor de aspiración/varilla (**I**) para elevar la rasqueta). Esto permite que la solución de limpieza se quede en el suelo más tiempo. La última pasada se hace en la misma zona, con la boquilla bajada para recoger la solución acumulada.

- 11 El depósito de recuperación tiene un flotador de cierre (**15**) que apaga TODOS los sistemas excepto el sistema de tracción cuando el depósito de recuperación está lleno. Hay que vaciar el depósito de recuperación cuando se activa este flotador. La máquina no recogerá agua ni fregará con el flotador activado.

NOTA: Todos los demás indicadores desaparecen y un indicador de "llenado del depósito de recuperación" (**K7**) aparecen en el panel de visualización cuando el flotador se activa. Si el control indica constantemente que el depósito está lleno cuando no lo está, se puede desactivar la opción de cierre automático. Esto debe hacerlo un técnico de mantenimiento cualificado consultando el manual de servicio.

- 12 Cuando el operario quiera dejar de fregar o el depósito de recuperación esté lleno, pulse una vez el interruptor de apagado del fregado (**E**). Esto parará automáticamente los cepillos de fregado y el flujo de solución, y el portacepillos se levantará. La boquilla se levantará tras un breve intervalo de tiempo y la aspiración se detendrá tras un breve intervalo de tiempo (esto es así para recoger el agua que haya podido quedar sin tener que volver a encender la aspiración).

- 13 Conduzca la máquina a un lugar establecido para la eliminación de aguas residuales y vacíe el depósito de recuperación. Para vaciarlo, tire de la tubería de drenaje (**19**) para sacarla de su zona de almacenamiento trasera y, a continuación, retire el tapón (sostenga el extremo de la tubería por encima del nivel de agua para evitar el flujo súbito e incontrolado de agua residual). Rellene el depósito de solución y siga fregando.

NOTA: Asegúrese de que la tapa del depósito de recuperación (**1**) y de la tubería de drenaje del depósito de recuperación (**19**) están asentadas correctamente; de lo contrario, la máquina no recogerá correctamente el agua.

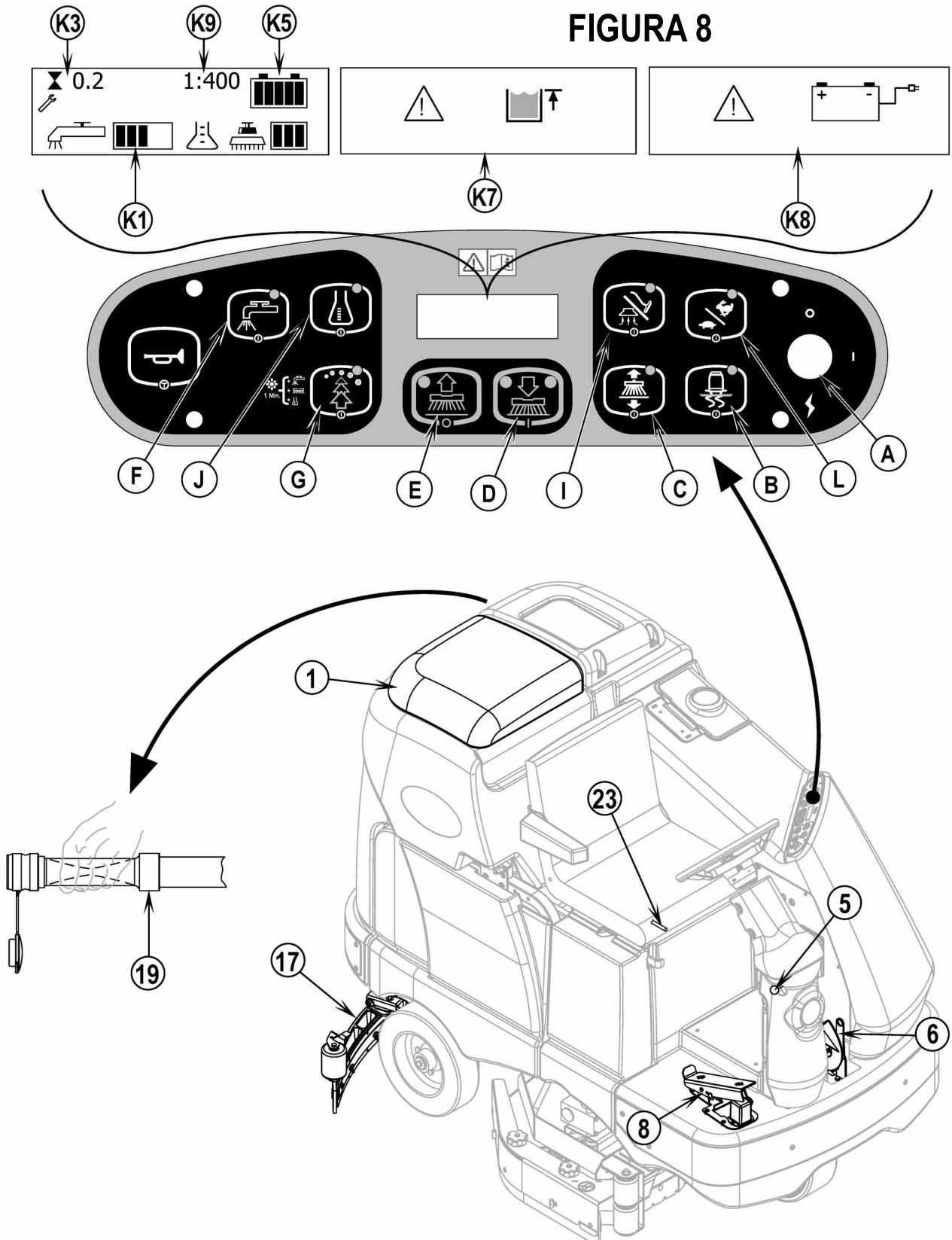
Cuando las baterías necesiten recargarse, el indicador de batería baja (**K8**) se encenderá, los cepillos de fregado y el flujo de solución se detendrán y el portacepillos se levantará. La boquilla se levantará tras un breve intervalo de tiempo y la aspiración se detendrá tras un breve intervalo de tiempo. Lleve la máquina a una zona de mantenimiento y recargue las baterías de acuerdo con las instrucciones en la sección de Baterías de este manual.

ASPIRACIÓN EN HÚMEDO

Pasos a seguir para añadir a la máquina accesorios opcionales para la aspiración en húmedo.

- 1 Desconecte de la boquilla (17) la tubería de recuperación. Conecte el acoplador y la tubería del kit de varilla a la tubería de recuperación.
- 2 Añada a la tubería las herramientas de recogida adecuadas. (Un kit de varilla opcional PN56413687 está disponible en Advance).
- 3 Encienda el interruptor de contacto principal (A) y pulse el interruptor de aspiración/varilla (I). El motor de aspiración y la bomba estarán encendidos hasta que se vuelva a pulsar el interruptor para apagarlos. **NOTA:** El indicador de "llenado del depósito de recuperación" está deshabilitado cuando el está activado el modo de vara. El flotador detendrá el flujo que se introduce en el depósito de recuperación.

NOTA DE SERVICIO: Consulte el manual de servicio para obtener las descripciones funcionales detalladas de todos los controles y la programabilidad opcional.



DESPUÉS DE LA UTILIZACIÓN

- 1 Cuando acabe de fregar, pulse el interruptor de apagado del fregado (**E**). Esto producirá la elevación, retracción y detención automática de todos los sistemas de la máquina (cepillo, boquilla, aspiración, solución y detergente (modelos EcoFlex)). A continuación conduzca la máquina a la zona de mantenimiento para el mantenimiento diario y la revisión de otros servicios necesarios.
- 2 Para vaciar el depósito de solución, retire la tubería de drenaje de la solución (**4**) de su pinza de almacenamiento. Dirija la tubería al lugar establecido para la eliminación y retire el tapón. Enjuague el depósito con agua limpia.
- 3 Para vaciar el depósito de recogida, retire la tubería de drenaje del depósito de recuperación (**19**) de su zona de almacenamiento. Dirija la tubería al lugar establecido para la eliminación de aguas residuales y retire el tapón (sostenga el extremo de la tubería por encima del nivel de agua para evitar el flujo súbito e incontrolado de agua residual). Se puede apretar la tubería de drenaje del depósito de recuperación para regular el flujo. Enjuague el depósito con agua limpia. Inspeccione las mangueras de recuperación y aspiración y sustitúyalas si están torcidas o dañadas.
- 4 Retire los cepillos o los portabayetas. Enjuague los cepillos o las bayetas con agua templada y tiéndalos para que sequen.
- 5 Retire la boquilla, enjuáguela con agua templada y vuelva a instalarla en el montaje.
- 6 Retire la tolva del sistema cilíndrico y límpiela completamente. Retírelo desde cualquier lado de la máquina retirando la faldilla e inclinándolo hacia arriba y hacia fuera del contenedor y tire de él para sacarlo.
- 7 Compruebe el programa de mantenimiento que viene a continuación y realice cualquier operación de mantenimiento necesaria antes de guardar la máquina.

PROGRAMA DE MANTENIMIENTO

OPERACIÓN DE MANTENIMIENTO	Diaria	Semanal	Mensual	Anual
Recarga de baterías	X			
Limpiar e inspeccionar depósitos y tuberías	X			
Comprobar, limpiar y girar los cepillos y las bayetas	X			
Comprobar y limpiar la boquilla	X			
Limpiar e inspeccionar el flotador de cierre de la aspiración	X			
Comprobar y limpiar el (los) filtro(s) de espuma del motor de aspiración	X			
Limpiar la tolva del sistema cilíndrico	X			
Comprobar el nivel de agua de todas las células de las baterías		X		
Inspeccionar las faldillas contenedoras de fregado		X		
Inspeccionar y limpiar el filtro de la solución		X		
Comprobar el desgaste y el ajuste de los frenos de pie y de estacionamiento		X		
Limpiar el canal de la solución del sistema cilíndrico		X		
Purgar el sistema de detergente (sólo modelos EcoFlex)		X		
Mantenimiento del cepillo lateral		X		
Lubricación - accesorios de engrase			X	
* Comprobar los cepillos de carbono				X

* Haga que Advance compruebe los cepillos de carbono del motor de aspiración una vez al año o después de 300 horas de funcionamiento. Compruebe los cepillos de carbono de los motores de tracción y fregado cada 500 horas o una vez al año.

NOTA: Para más información sobre reparaciones de mantenimiento y servicio, consulte el Manual de Servicio.

- 8 Almacene la máquina en interior, en un lugar limpio y seco. Protéjala de la congelación. Deje los depósitos abiertos para airearlos.
- 9 Apague (O) el conmutador principal de llave (**A**) y quite la llave.

LUBRICACIÓN DE LA MÁQUINA – FIGURA 9

Una vez al mes, ponga una pequeña cantidad de grasa en todos los accesorios de engrase de la máquina hasta que la grasa salga por alrededor de los cojinetes.

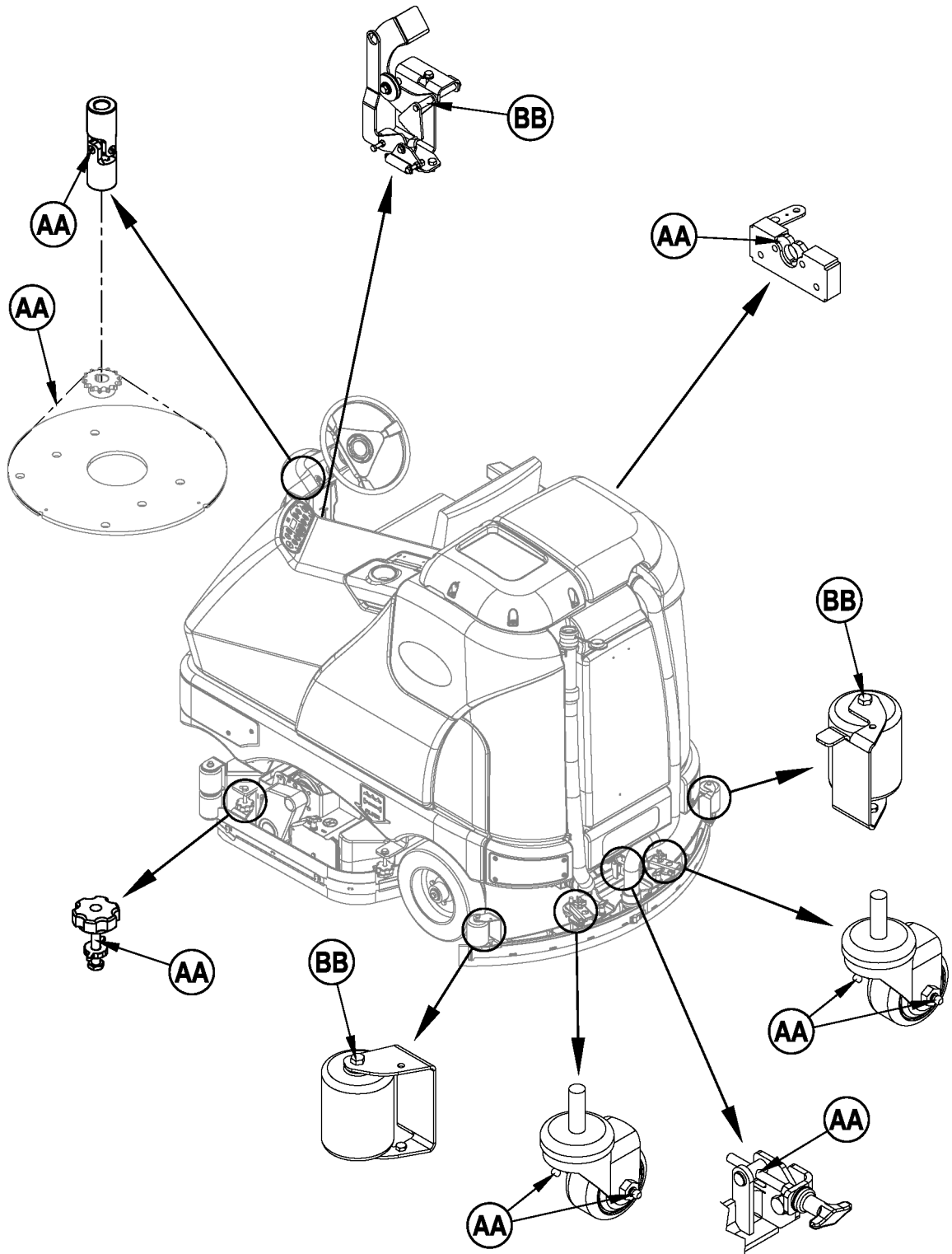
Ubicación de los accesorios de engrase (AA):

- Eje y placa giratoria de la rueda de la roldana de la boquilla
- Junta universal de la barra del volante
- Cadena de dirección
- Roscas del botón de ajuste del ángulo de montaje de la boquilla

Una vez al mes, aplique aceite ligero de máquina para lubricar lo siguiente (BB):

- Ruedas del extremo de la boquilla
- Pestillo de liberación del depósito de recuperación
- Junta del pedal de freno (freno de estacionamiento)

FIGURA 9



RECARGA DE BATERÍAS

Recargue las baterías cada vez que se utilice la máquina o cuando el indicador de batería (**K5**) presente un nivel inferior al de carga completa.

Para cargar las baterías...

- 1 **Ver la Figura 10.** Pulse la desconexión de las baterías (**11**).
- 2 Abra el panel de acceso lateral (**27**) e introduzca el conector del cargador en el conector de baterías (**20**).
- 3 Siga las instrucciones que aparecen encima del cargador de las baterías.
- 4 Compruebe el nivel del fluido en todas las células de las baterías después de recargar las baterías. Si es necesario, añada agua destilada para que el nivel de fluido llegue hasta el fondo de los tubos de llenado.



¡ADVERTENCIA!

No rellene las baterías antes de recargarlas.

Recargue las baterías exclusivamente en una zona bien ventilada.

No fume mientras maneja las baterías.

Cuando revise las baterías...

- * Qúitese todas las joyas
- * No fume
- * Lleve gafas de seguridad, un delantal de goma y guantes de goma
- * Trabaje en una zona bien ventilada
- * No permita que las herramientas toquen simultáneamente más de un terminal de batería
- * Al sustituir las baterías, desconecte SIEMPRE en primer lugar el cable (de tierra) negativo para evitar chispas.
- * Al instalar las baterías, conecte SIEMPRE el cable negativo al final.



¡PRECAUCIÓN!

Para evitar daños a la superficie del suelo, limpie siempre el agua y el ácido de la parte superior de las baterías después de la recarga.

COMPROBACIÓN DEL NIVEL DE AGUA DE LAS BATERÍAS

Compruebe el nivel de agua de las baterías al menos una vez a la semana.

Después de cargar las baterías, retire las cubiertas de ventilación y compruebe el nivel de agua de todas células de las baterías.

Utilice agua destilada o desmineralizada en un dispensador de relleno de baterías (disponible en la mayoría de las tiendas de materiales para coches) para llenar todas las células hasta el indicador de nivel (o hasta 10 mm por encima de la parte superior de los separadores). ¡NO rellene demasiado las baterías!



¡PRECAUCIÓN!

Si las baterías están demasiado llenas se puede salpicar ácido al suelo.

Apriete las cubiertas de ventilación. Limpie la parte superior con una solución de levadura química y agua (2 cucharadas de levadura química en 1 litro de agua).

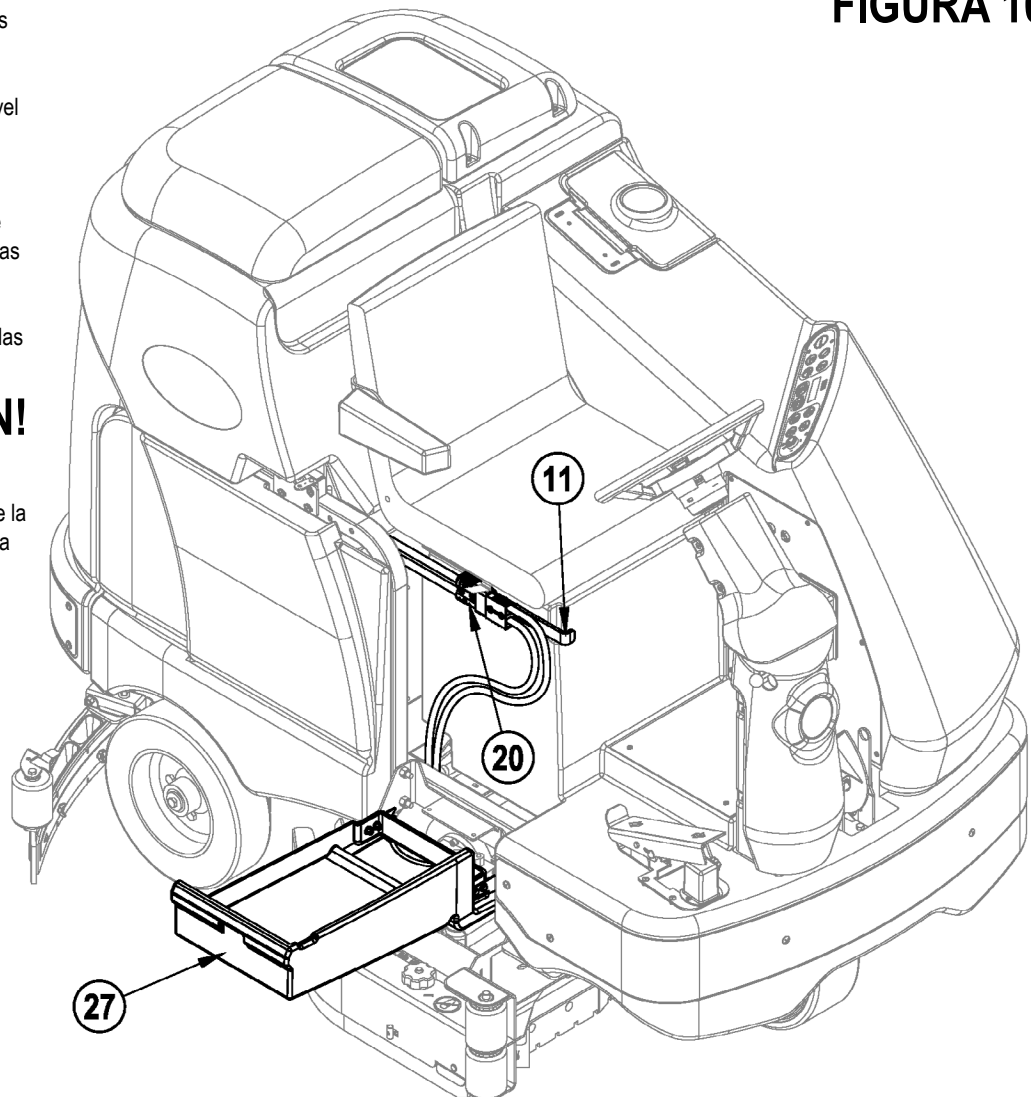


FIGURA 10

MANTENIMIENTO DE LA BOQUILLA

Si la boquilla deja bandas estrechas de agua, puede que las cuchillas estén sucias o dañadas. Retire la boquilla, enjuéguela con agua tibia e inspeccione las cuchillas. Sustituya o invierta las cuchillas si están cortadas, rasgadas, onduladas o gastadas.

Para invertir o sustituir la cuchilla secadora de la boquilla trasera...

- 1 Ver la Figura 11. Eleve la boquilla del suelo y, a continuación, desbloquee el pestillo central (AA) de la boquilla.
- 2 Retire las correas de tensión (BB).
- 3 Deslice la cuchilla posterior para sacarla de las clavijas de alineación.
- 4 La cuchilla de la boquilla tiene 4 bordes de trabajo como se indica a continuación. Gire la cuchilla de manera que un borde limpio e intacto apunte hacia la parte frontal de la máquina. Sustituya la cuchilla si los 4 bordes están mellados, desgastados o reducidos al mínimo.
- 5 Instale la cuchilla siguiendo los pasos en orden inverso y ajuste la inclinación de la boquilla.

Para invertir o sustituir la cuchilla de la boquilla delantera...

- 1 Eleve la boquilla del suelo y a continuación suelte las (2) tuercas de palomilla (CC) de la parte superior de la boquilla y retire la boquilla del montaje.
- 2 Retire las dos correas de tensión primero.
- 3 Retire todas las tuercas de palomilla que sujetan la cuchilla delantera y a continuación retire las correas de tensión y la cuchilla.
- 4 La cuchilla de la boquilla tiene 4 bordes de trabajo como se indica a continuación. Gire la cuchilla de manera que un borde limpio e intacto apunte hacia la parte frontal de la máquina. Sustituya la cuchilla si los 4 bordes están mellados, desgastados o reducidos al mínimo.
- 5 Instale la cuchilla siguiendo los pasos en orden inverso y ajuste la inclinación de la boquilla.

AJUSTE DE LA BOQUILLA

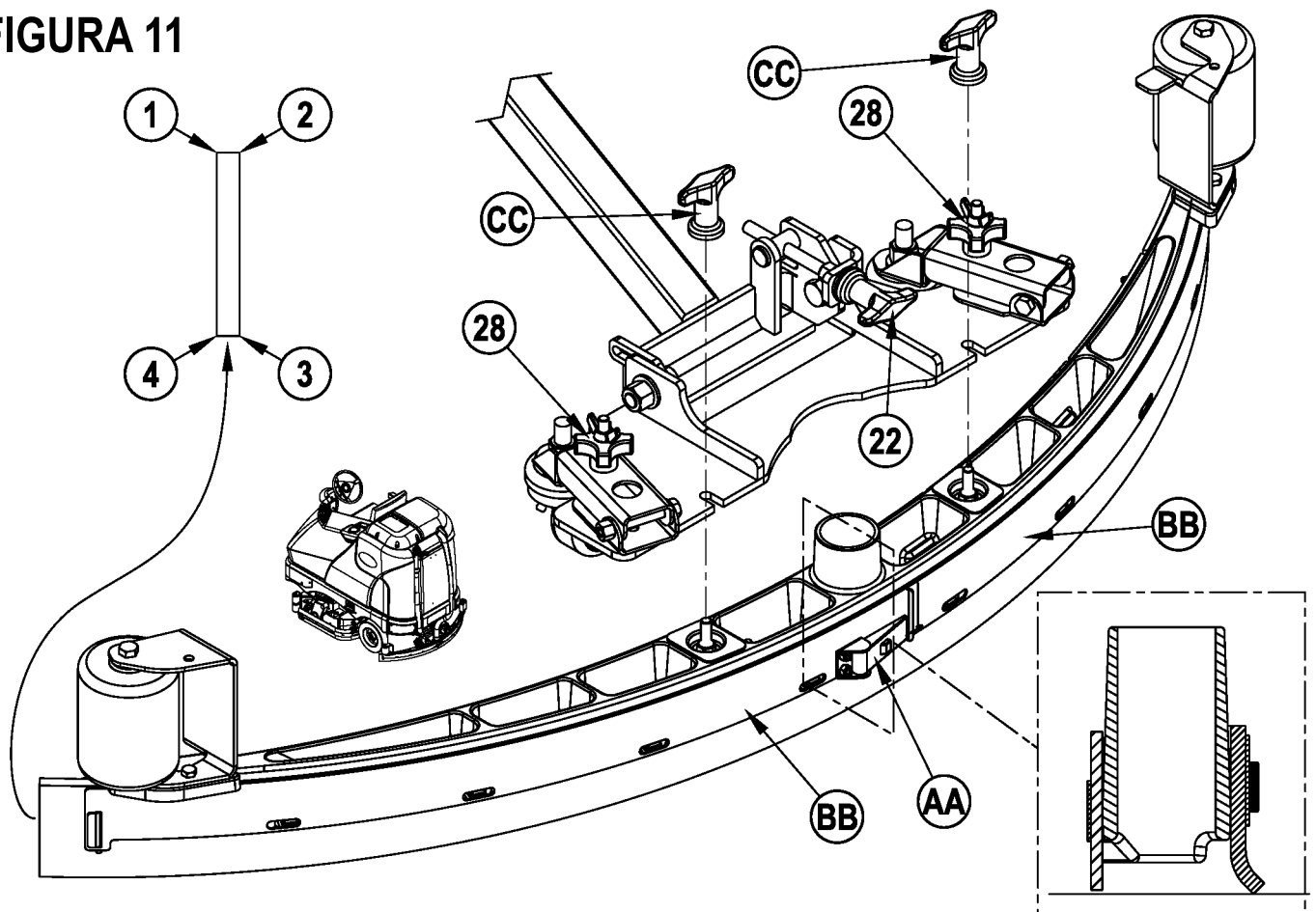
Hay dos ajustes de la boquilla posibles, la altura y el ángulo.

Ajuste del ángulo de la boquilla

Ajuste el ángulo de la boquilla siempre que sustituya o invierta la cuchilla o cuando la boquilla no deje seco el suelo.

- 1 Aparque la máquina en una superficie plana e igualada.
- 2 Baje la boquilla, desplace la máquina hacia delante y ajuste la inclinación y la altura de la boquilla utilizando el botón de ajuste de inclinación de la boquilla (22) y los botones de ajuste de altura de la boquilla (28) de modo que la cuchilla de la boquilla trasera toque el suelo homogéneamente en toda la anchura y se doble ligeramente como se muestra en la sección transversal de la boquilla.

FIGURA 11



MANTENIMIENTO DE LA FALDILLA LATERAL

La función de las faldillas laterales es canalizar el agua residual hasta la boquilla, lo que ayuda a mantener el agua dentro de la trayectoria de limpieza de la máquina. Durante el uso normal las cuchillas se gastarán con el tiempo. El operador verá que una pequeña cantidad de agua sale por debajo de las faldillas laterales. Puede realizarse fácilmente un ajuste de la altura para bajar las cuchillas de modo que la boquilla pueda recoger todo el agua.

Para invertir o sustituir la(s) faldilla(s) lateral(es) del sistema de fregado...

- 1 **Ver la Figura 12.** Afloje los (2) botones de retención de la faldilla lateral **(AA)** (2 por cada lado) y retire las faldillas **(BB)** del portacepillos. **NOTA:** Retire las faldillas deslizándolas primero hacia delante y luego tirando de ellas para sacarlas.
- 2 Retire todo el equipo que mantiene las cuchillas en los contenedores de faldilla. **NOTA:** La cuchilla principal en cada contenedor de faldilla se sujeta con retenes sin herramienta. Afloje las tuercas de palomilla **(CC)** grandes y, a continuación, gire los botones **(DD)** en la parte externa del contenedor de faldilla hasta que estén en posición horizontal y presione a través de las ranuras. La pequeña cuchilla interior **(EE)** en modelos de disco está sujeta por (2) tornillos y tuercas y tiene 2 bordes de trabajo.
- 3 La cuchilla de la faldilla principal tiene 4 bordes de trabajo como se indica a continuación. Gire la cuchilla de manera que un borde limpio e intacto apunte hacia la parte central de la máquina. Sustituya las cuchillas como un conjunto si los 4 bordes están mellados, desgarrados o desgastados y no pudieran ajustarse.
- 4 Vuelva a instalar los contenedores de faldillas en la máquina y ajuste la cuchilla para que haga un buen contacto con el suelo cuando el portacepillos está situado en la posición de fregado.

AJUSTE DE ALTURA DE LA FALDILLA LATERAL

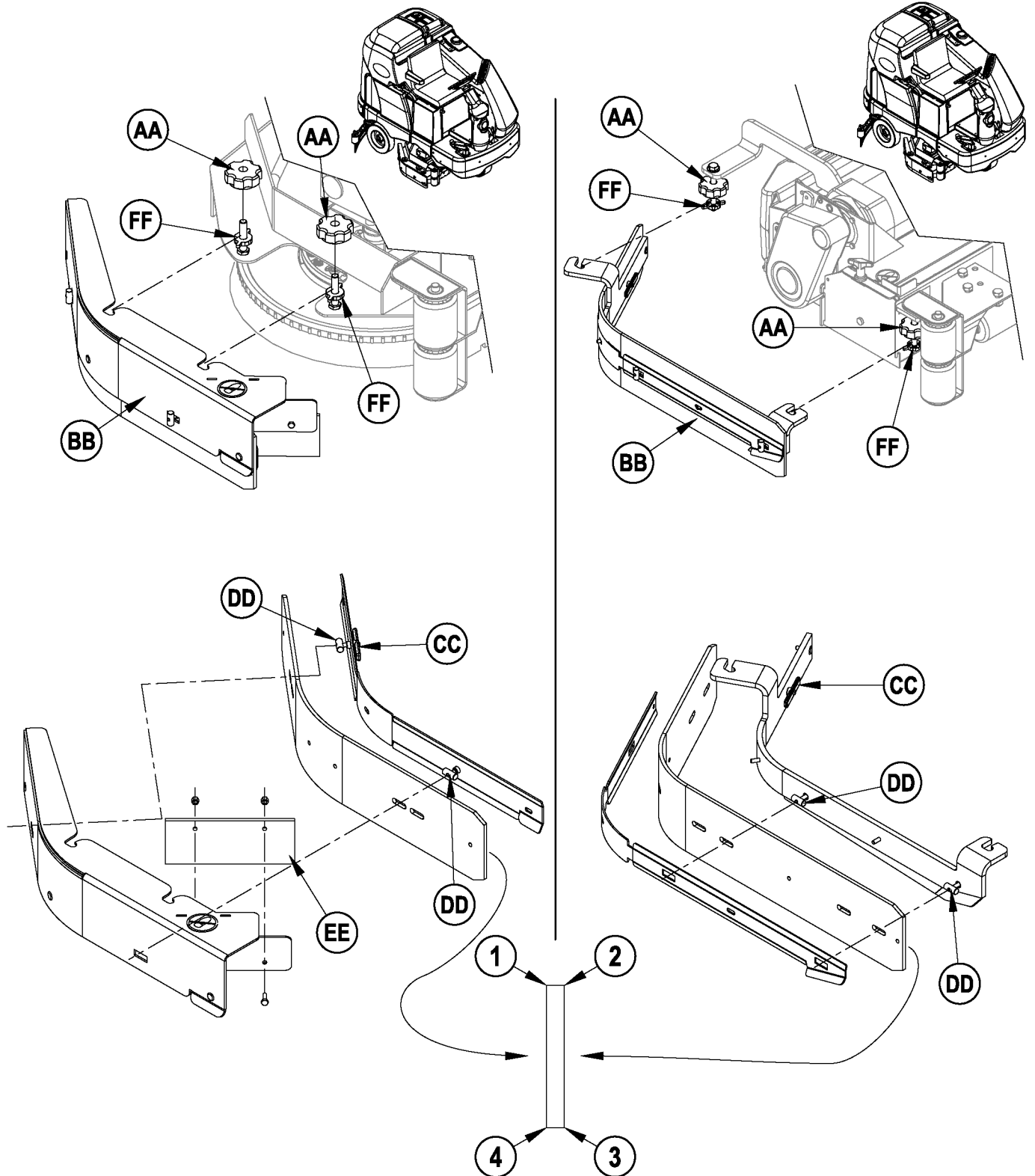
- 1 Los pernos del retén de botón del contenedor de faldilla tienen collares de ajuste **(FF)** de compensación que pueden levantarse o bajarse para compensar el desgaste de la cuchilla.
- 2 Para ajustar, retire las faldillas **(BB)** del portacepillos para acceder a los collares de ajuste **(FF)**. Consejo para el ajuste: Los botones de retención de las faldillas **(AA)** pueden aflojarse con las faldillas encendidas y los collares d ajuste **(FF)** pueden girarse bajo el contenedor de faldilla.
- 3 Gire los collares de ajuste (FF) (arriba o abajo) hasta donde las cuchillas se plieguen lo suficiente al fregar de modo que toda el agua residual se encuentre dentro de las faldillas. **NOTA:** Realice pequeños ajustes para obtener un buen secado de la cuchilla. No baje las cuchillas demasiado de modo que se plieguen excesivamente y sufran un desgaste innecesario.

MANTENIMIENTO DE LA FALDILLA LATERAL

DISCO

CILÍNDRICO

FIGURA 12



MANTENIMIENTO DEL CEPILLO LATERAL

El cepillo lateral desplaza la suciedad y los residuos de paredes o bordillos hacia el tramo del cepillo principal. Ajuste el cepillo lateral de manera que las cerdas estén en contacto con el suelo cubriendo la zona entre las 10 (AA) y las 3 (BB) ilustrada en la **Figura 13** cuando el cepillo está hacia abajo y funcionando.

Los cepillos laterales se ajustan con el modo de ajuste. Para entrar en el "Modo de Ajuste" siga los siguientes pasos...

- 1 Coloque el interruptor de contacto (A) en posición de apagado (O).
- 2 Presione y mantenga el Interruptor del cepillo lateral (C) y el Interruptor de apagado del fregado (E).
- 3 Mientras mantiene presionados los interruptores (C & E), gire el interruptor de contacto a la posición de encendido (I).
- 4 Continúe presionando los interruptores durante 2 segundos hasta que se enciendan los LED del cepillo lateral, apagado del fregado y encendido del fregado.
- 5 Suelte los interruptores. La pantalla (K) mostrará ahora "AJUSTE DEL CEPILLO LATERAL".

Una vez dentro del "Modo Ajuste" siga los siguientes pasos para ajustar el cepillo lateral...

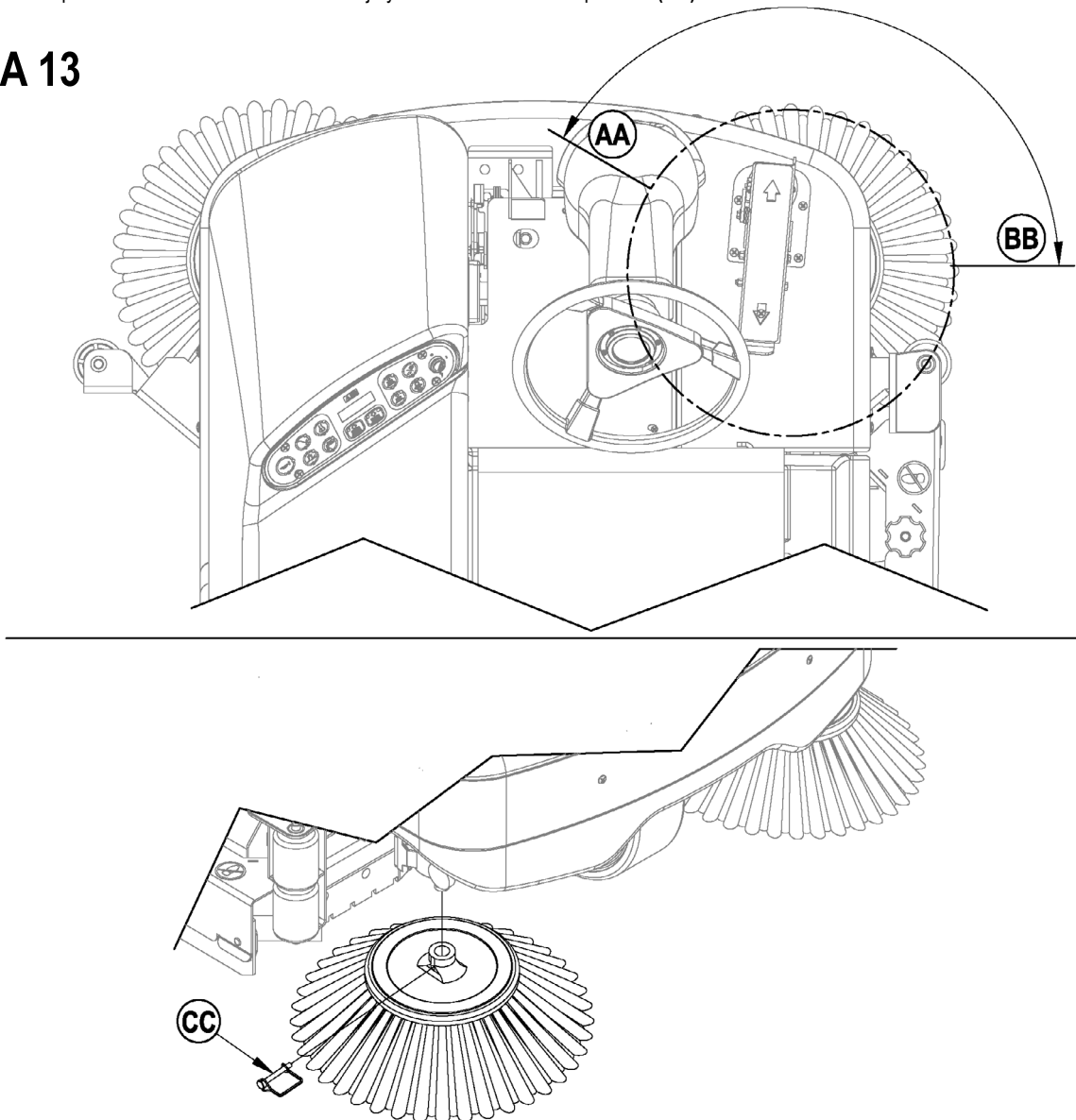
- 1 Presione el Interruptor de encendido del fregado (D) para bajar los cepillos laterales y presione el Interruptor del cepillo lateral (C) para subir los cepillos laterales hasta alcanzar la altura deseada.
- 2 Para guardar la posición de la altura del cepillo lateral, presione el Interruptor de apagado del fregado (E). Los cepillos laterales se elevarán hasta la posición ARRIBA y la pantalla ahora mostrará un ícono de llave (indicando que el interruptor de contacto debe ser colocado en posición de apagado y encendido).
- 3 La máquina ahora ya está reprogramada para usar la nueva altura del cepillo lateral.

NOTA: La máquina debe guardarse con los cepillos principales en posición elevada. Para un uso eficaz, los cepillos laterales deben cambiarse cuando las cerdas estén gastadas hasta una longitud de 3 pulgadas (7,62 cm).

Para cambiar el cepillo lateral...

- 1 Suba el cepillo lateral.
- 2 Retire el pasador grande (CC) que sujeta el cepillo lateral y retire el cepillo.
- 3 Instale el nuevo cepillo deslizándolo hacia arriba en el eje y volviendo a instalar el pasador (CC).

FIGURA 13



SOLUCIÓN DE PROBLEMAS GENERALES DE LA MÁQUINA

Problema	Posible causa	Solución
Recogida escasa del agua	Cuchillas de la boquilla gastadas o desgarradas	Invierta o sustituya las cuchillas
	Boquilla mal ajustada	Ajuste la boquilla de manera que las cuchillas toquen el suelo de manera uniforme en toda su anchura
	Depósito de recuperación lleno	Vacíe el depósito de recuperación
	Fuga en la tubería de drenaje del depósito de recuperación	Sujete la tapa de la tubería de drenaje o sustitúyala
	Fuga en la junta de la tapa del tanque de recuperación	Sustituya la junta / Asiente correctamente la tapa
	Residuos atrapados en la boquilla	Limpie la herramienta de boquilla
	Manguera de aspiración obstruida	Retire los residuos
	Uso de demasiada solución	Reduzca el flujo a través del botón de solución del panel de control
	Tapa de filtro de espuma no asentada	Asiente la tapa correctamente
Fregado poco eficaz	Cepillo o bayeta desgastados	Gire o sustituya los cepillos
	Tipo de cepillo o bayeta incorrecto	Consulte con Advance
	Limpiador químico incorrecto	Consulte con Advance
	Movimiento demasiado rápido de la máquina.	Reduzca la velocidad.
	No se está utilizando suficiente solución.	Aumente el flujo a través del botón de solución del panel de control
Los motores de fregado no funcionan	Desconexión del disyuntor de 20 A (F3)	Compruebe si existe un cortocircuito eléctrico y reinicie
Flujo de solución inadecuado o falta de solución	Depósito de solución vacío	Llene el depósito de solución
	Tuberías, válvulas, filtro o canal de la solución obstruidos	Lave las tuberías y el canal y limpie el filtro de solución
	Solución apagada	Active el flujo a través del botón de solución del panel de control
	Válvula de solenoide de la solución obstruida o defectuosa	Limpie o sustituya la válvula (véase el manual de servicio)
La máquina no funciona	Conmutador de parada de emergencia desconectado	Vuelva a conectar los conectores de batería
	Conmutador de seguridad del asiento del operador	Compruebe si existe un cortocircuito y sustituya
	Controlador principal del sistema	Compruebe los códigos de error (véase el manual de servicio)
	Desconexión del disyuntor de 3 A (F1)	Compruebe si existe un cortocircuito eléctrico y reinicie
Ausencia de tracción de las ruedas en marcha adelante/atrás	Controlador de velocidad del sistema de tracción	Compruebe los códigos de error (véase el manual de servicio)
	Conmutador de parada de emergencia desconectado	Vuelva a conectar los conectores de batería
La aspiración se apaga y la pantalla indica "FULL" (Lleno) cuando el depósito de recuperación no está lleno	Manguera de la boquilla obstruida	Elimine los residuos
	Aspiración de grandes cantidades de agua a alta velocidad de desplazamiento	Reduzca la velocidad o desactive la función de apagado automático (véase el manual de servicio)
Barrido poco eficaz (sistema cilíndrico)	La tolva está llena	Vacíe y limpie la tolva
	Cepillos gastados	Sustituya los cepillos
	Las cerdas han adquirido una forma	Invierta los cepillos
No hay flujo de detergente (sólo modelos EcoFlex)	Cartucho de detergente vacío	Llene cartucho de detergente
	Línea de flujo de detergente obstruida o torcida	Purgue el sistema, enderece las líneas para eliminar pliegues
	Tapa de junta seca en cartucho de detergente sin sellar	Selle tapa de junta seca
	Cableado de la bomba de detergente desconectado o hacia atrás	Conecte o reconecte cableado

ESPECIFICACIONES TÉCNICAS (según la instalación y comprobaciones de la unidad)

Modelo		Condor™ 4030C	Condor™ 4530C	Condor™ 4830C
		Condor™ 4030D	Condor™ 4530D	Condor™ 4830D
		Condor™ 4030C (no sweep)	Condor™ 4530C (no sweep)	Condor™ 4830C (no sweep)
Nº Modelo		56413001	56413003	56413005
		56413000	56413002	56413004
		56413891	56413892	56413893
Voltaje, baterías	V	36V	36V	36V
Capacidad baterías	Ah	480	480	480
Grado de protección		IPX3	IPX3	IPX3
Nivel de presión sonora IEC 60335-2-72: 2002 Amend. 1:2005, ISO 11201	dB(A)/20µPa	76	76	76
Nivel de presión sonora – KpA (IEC 60335-2-72, ISO 11201) - Incertidumbre	dB(A)	3.0	3.0	3.0
Nivel de presión sonora IEC 60335-2-72: 2002 Amend. 1:2005, ISO 11201	dB(A)/20µPa	72	72	72
Nivel de presión sonora – KpA (IEC 60335-2-72, ISO 11201) - Incertidumbre	dB(A)	3.0	3.0	3.0
Peso bruto	lbs / kg	3325 / 1508	3365 / 1526	3410 / 1547
Peso de transporte	lbs / kg	2897 / 1314	2937 / 1332	2982 / 1353
Peso bruto	lbs / kg	3220 / 1460	3270 / 1483	3320 / 1506
Peso de transporte	lbs / kg	2792 / 1266	2842 / 1289	2892 / 1312
Carga máxima en suelo de rueda (frontal central)	psi / kg/cm²	116/ 119.9	116/ 119.9	116/ 119.9
Carga máxima en suelo de rueda (posterior derecha)	psi / kg/cm²	81 / 83.7	81 / 83.7	81 / 83.7
Carga máxima en suelo de rueda (posterior izquierda)	psi / kg/cm²	86 / 88.9	86 / 88.9	86 / 88.9
Vibración en los controles manuales (ISO 5349-1)	m/s²	<1.12m/s²	<1.12m/s²	<1.12m/s²
Vibración en los controles manuales (ISO 5349-1) - Incertidumbre	m/s²	.11 m/s²	.11 m/s²	.11 m/s²
Vibración en el asiento (EN 1032)	m/s²	<0.35m/s²	<0.35m/s²	<0.35m/s²
Vibraciones en el asiento (EN 1032/ISO 2631-1) - Incertidumbre	m/s²	0.035m/s²	0.035m/s²	0.035m/s²
Capacidad ascendente				
Transporte		16% (9°)	16% (9°)	16% (9°)
Limpieza		10.5% (6°)	10.5% (6°)	10.5% (6°)
Modelo		Condor™ X4030C	Condor™ X4530C	Condor™ X4830C
		Condor™ X4030D	Condor™ X4530D	Condor™ X4830D
		Condor™ X4030C (no sweep)	Condor™ X4530C (no sweep)	Condor™ X4830C (no sweep)
Nº Modelo		56381033	56381035	56381037
		56381032	56381034	56381036
		56381043	56381044	56381045
Voltaje, baterías	V	36V	36V	36V
Capacidad baterías	Ah	480	480	480
Grado de protección		IPX3	IPX3	IPX3
Nivel de presión sonora IEC 60335-2-72: 2002 Amend. 1:2005, ISO 11201	dB(A)/20µPa	76	76	76
Nivel de presión sonora – KpA (IEC 60335-2-72, ISO 11201) - Incertidumbre	dB(A)	3.0	3.0	3.0
Nivel de presión sonora IEC 60335-2-72: 2002 Amend. 1:2005, ISO 11201	dB(A)/20µPa	72	72	72
Nivel de presión sonora – KpA (IEC 60335-2-72, ISO 11201) - Incertidumbre	dB(A)	3.0	3.0	3.0
Peso bruto	lbs / kg	3325 / 1508	3365 / 1526	3410 / 1547
Peso de transporte	lbs / kg	2897 / 1314	2937 / 1332	2982 / 1353
Peso bruto	lbs / kg	3220 / 1460	3270 / 1483	3320 / 1506
Peso de transporte	lbs / kg	2792 / 1266	2842 / 1289	2892 / 1312
Carga máxima en suelo de rueda (frontal central)	psi / kg/cm²	116/ 119.9	116/ 119.9	116/ 119.9
Carga máxima en suelo de rueda (posterior derecha)	psi / kg/cm²	81 / 83.7	81 / 83.7	81 / 83.7
Carga máxima en suelo de rueda (posterior izquierda)	psi / kg/cm²	86 / 88.9	86 / 88.9	86 / 88.9
Vibración en los controles manuales (ISO 5349-1)	m/s²	<1.12m/s²	<1.12m/s²	<1.12m/s²
Vibración en los controles manuales (ISO 5349-1) - Incertidumbre	m/s²	.11 m/s²	.11 m/s²	.11 m/s²
Vibración en el asiento (EN 1032)	m/s²	<0.35m/s²	<0.35m/s²	<0.35m/s²
Vibraciones en el asiento (EN 1032/ISO 2631-1) - Incertidumbre	m/s²	0.035m/s²	0.035m/s²	0.035m/s²
Capacidad ascendente				
Transporte		16% (9°)	16% (9°)	16% (9°)
Limpieza		10.5% (6°)	10.5% (6°)	10.5% (6°)

X = EcoFlex



14600 21st Avenue North
Plymouth, MN 55447-3408
www.advance-us.com
Phone: 800-989-2235
Fax: 800-989-6566
©2010 Nilfisk-Advance, Inc.