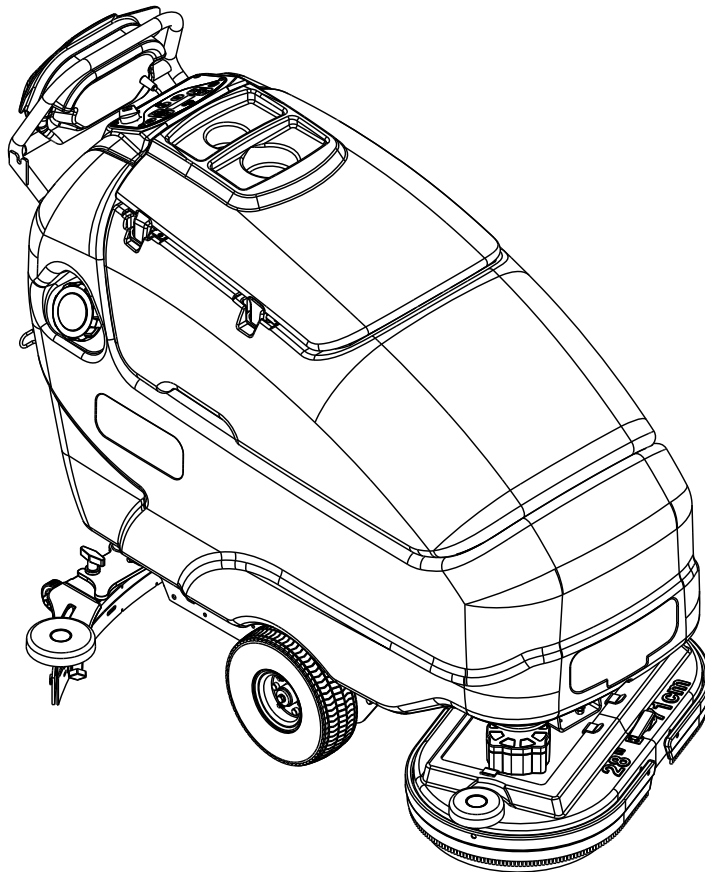


SC750, SC800

SC750 ST, SC800 ST



PARTS LIST

**Advance Models: 56112000(SC750-26D), 56112004(SC750-28D)
56112006(SC750-28C), 56112012(SC750 ST-26D)
56112013(SC750 ST-28C), 56112016(SC800-28D)
56112018(SC800-28C), 56112024(SC800-32C)
56112028(SC800-34D), 56112032(SC800 ST-34D)
56112780(SC750-28R)**

TABLE OF CONTENTS

10-7

2**SC750, SC800, SC750 ST, SC800 ST**

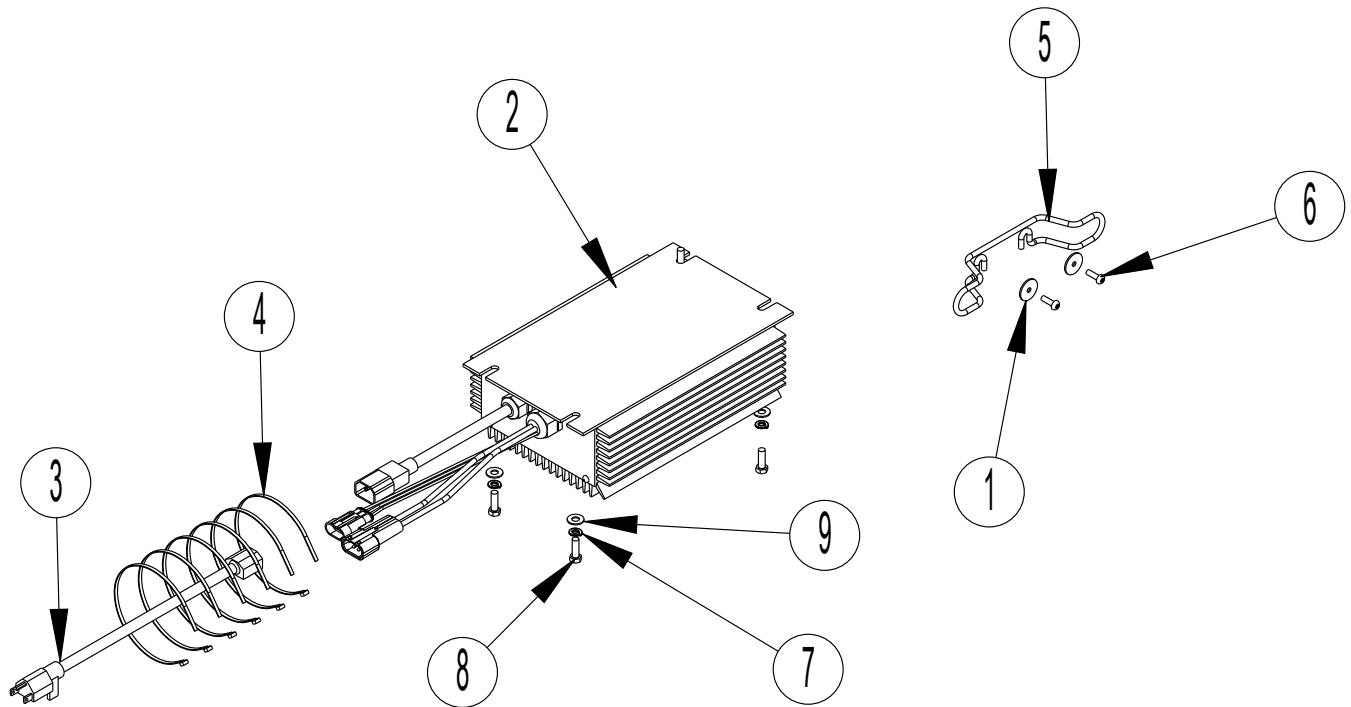
12-1

DESCRIPTION	PAGE
Battery Charger System	3
Chassis System-Disk	4-5
Chassis System-Cylindrical	6-7
Chassis System-REV	8-9
Chemical Injection System-EcoFlex™	10
Control System-SC750, SC800	11
Control System-SC750 ST, SC800 ST	12
Decal System.....	13
Electrical System-SC750, SC800	14-15
Electrical System-SC750 ST, SC800 ST	16-17
Recovery System.....	18-19
Scrub System-Disk	20-21
Scrub System-Cylindrical.....	22-23
Scrub System-REV.....	24-25
Solution System.....	26
Squeegee Assy.....	27
Squeegee System	28-29
Ladder Diagram-SC750, SC800.....	30-31
Ladder Diagram-SC750 ST, SC800 ST	32-33
Optional Kits & Accessories.....	34
Brush Selector Guide-Disk	35
Brush Selector Guide-Cylindrical.....	36
Squeegee Blade Selector Guide	37

WHEN ORDERING PARTS

- * Use the part numbers from the "Ref. No." columns in this parts list.
- * Specify the model and serial number of the machine.
- * Use the space below to record the model and serial number for future reference.

Model _____ Serial No. _____



Item	Ref. No.	Qty	Description
1	56009096	2	Wsh, Flt .193 X .875 X .060
2	56112544	1	Battery Charger 24V 25A (A3)
3	56315270	1	Charger Cord, Us
4	56478523	6	Tie, Cable
5	9095149000	1	Cable Support
6	964004	2	Screw M5-.8 X 16mm Pn St Ph
7	980657	4	Washer, Lock 1/4
8	57994A	4	Screw, M6- 1 X 20
9	87026A	4	Washer, 1/4 Flat S.S.

NOTE: The onboard battery charger is standard on model 56112780.

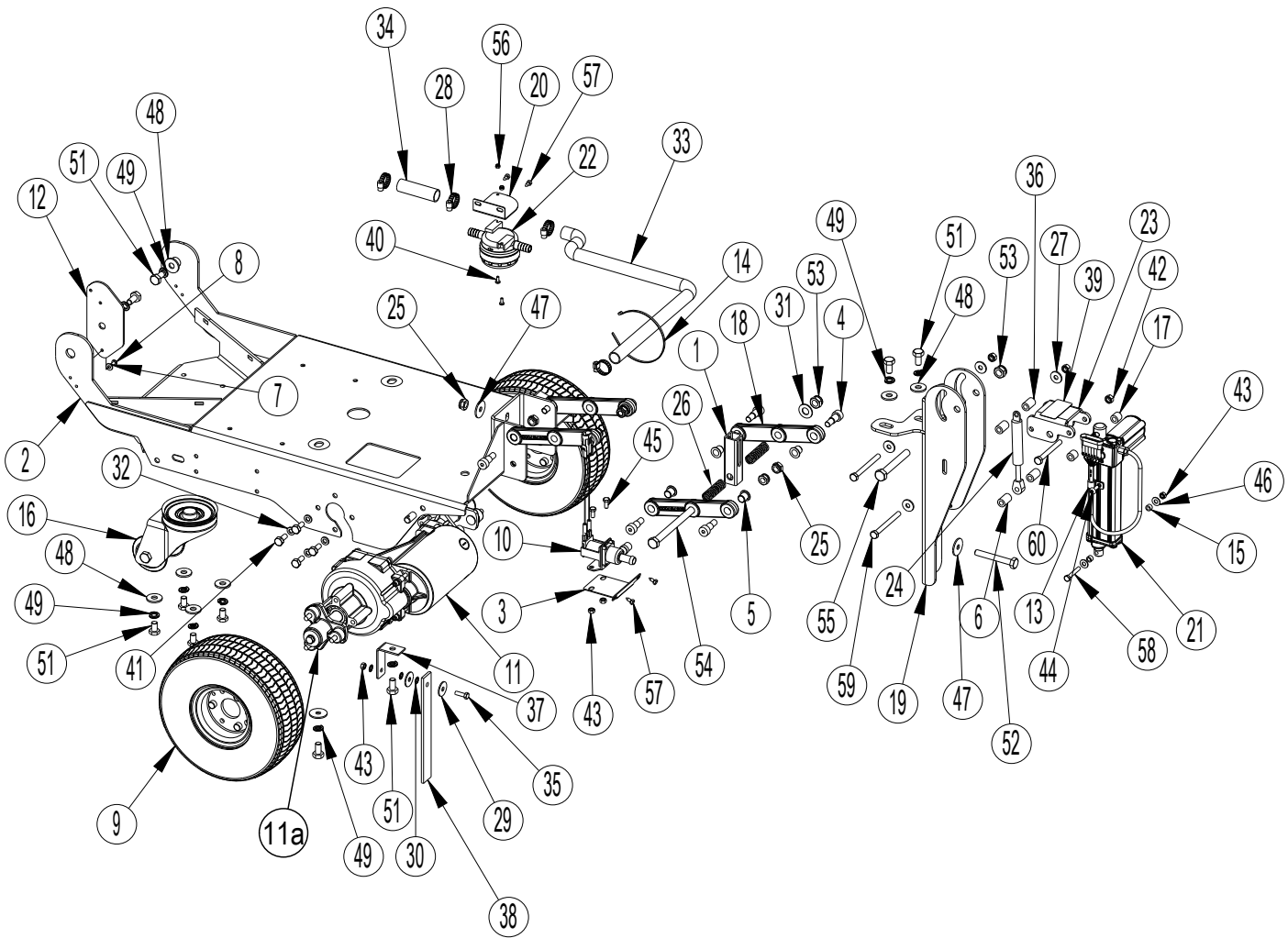
CHASSIS SYSTEM-DISK

10-7

4

SC750, SC800, SC750 ST, SC800 ST

11-2



Item	Ref. No.	Qty	Description	Item	Ref. No.	Qty	Description
1	56109717	1	Tube Jack Motor	31	980648	1	Washer 17/32 X 1 1/16 Plain
2	56112727	1	Chassis Weldt	32	980652	8	Washer, 5/16 Lock
3	61932A	1	Bracket, Solution Valve	33	30828A	1	Hose, Clear X25.00 Long
4	88617A	8	Screw, M10xm12x16mm S.B.S.H.	34	30829A	1	Hose, Clear X 3.00 Long
5	9097008000	8	Bush Flanged GFM1214-09	35	57994A	1	Screw, M6- 1 X 20
6	9096113000	2	Spacer	36	61937A	2	Spacer, .590od X .328id
7	56001954	1	Wsh, Flt Sae #10	37	61949A	1	Bracket, Ground Strap
8	56009030	1	Scr, Pan Phil Thd Form 10-24 X .38	38	69639A	1	Strap, Static
9	56112109	2	Tire	39	71017A	1	Label, Moving Parts
10	56112147	1	Solenoid Valve Assy (L1)	40	80057A	2	Screw, M4-.7x10
11	56112543	1	Transaxle	41	80183A	8	Bolt, M8-1.25 X 20, Hex
11a	56380158	2	Flange Kit (for 56112543)	42	80198A	9	Nut, M8 -1.25 Nylock S.S.
*	56382670	1	Kit Transaxle Motor (for 56112543) (M1)	43	80199A	4	Nut, M6 -1.00 Nylock S.S.
*	40628A	4	Carbon Brush (for 56112543)	44	80208A	1	Screw, M6 X 1.00 X 10mm Pan Head
12	56112281	1	Connector Bracket	45	80214A	2	Screw, M6 X 1 X 12
13	56323260	1	Clamp, Hose Support	46	87026A	2	Washer, 1/4 Flat S.S.
14	56478523	1	Tie, Cable	47	87054A	3	Washer Fender .375
15	1462258000	2	Spacer 6.1 X 10 X 6.5	48	88611A	7	Washer, Flat M10
16	56112308	1	Caster, Rear	49	88612A	10	Washer, Lock M10
17	9096112000	2	Spacer	51	88614A	10	Screw, M10-1.5 X 20mm
18	56382618	4	Lever Kit	52	88616A	1	Screw, Hex Hd M10x75
19	9097368000	1	Support, Jack Motor	53	88618A	2	Nut, M12 Nylon Insert
20	9097370000	1	Bracket, Filter	54	88619A	1	Screw, Hex Hd M12x160
21	40280A	1	Actuator (M2)	55	88620A	1	Screw, Hex Hd M12x90
22	9097404000	1	Filter, Water	56	88623A	2	Nut, M4-.7 Nylock Insert
*	9095215000	1	Filter and Seal (for 9097404000)	57	88624A	4	Screw, M5 X 12mm Hex Self Tap Tri-Lobe
23	9097456000	1	Lever	58	88626A	1	Screw M6-1 X 40mm Hex
24	54689A	1	Gas Spring 500n	59	56003390	2	Screw, M8 X 90 Hex Head
25	80223A	9	Nut, M10-1.5 Nylock	60	88635A	1	Screw, M8 X75 Hex Head
26	E04016	2	Spring				
27	170860	4	Washer, Flat 5/16				
28	722030	4	Clamp, Hose				
29	980205	2	Washer, .31 I.D. X 1.06 O.D.				
30	980614	3	Washer, 1/4" Starlock, External				

* = Optional, Not Included

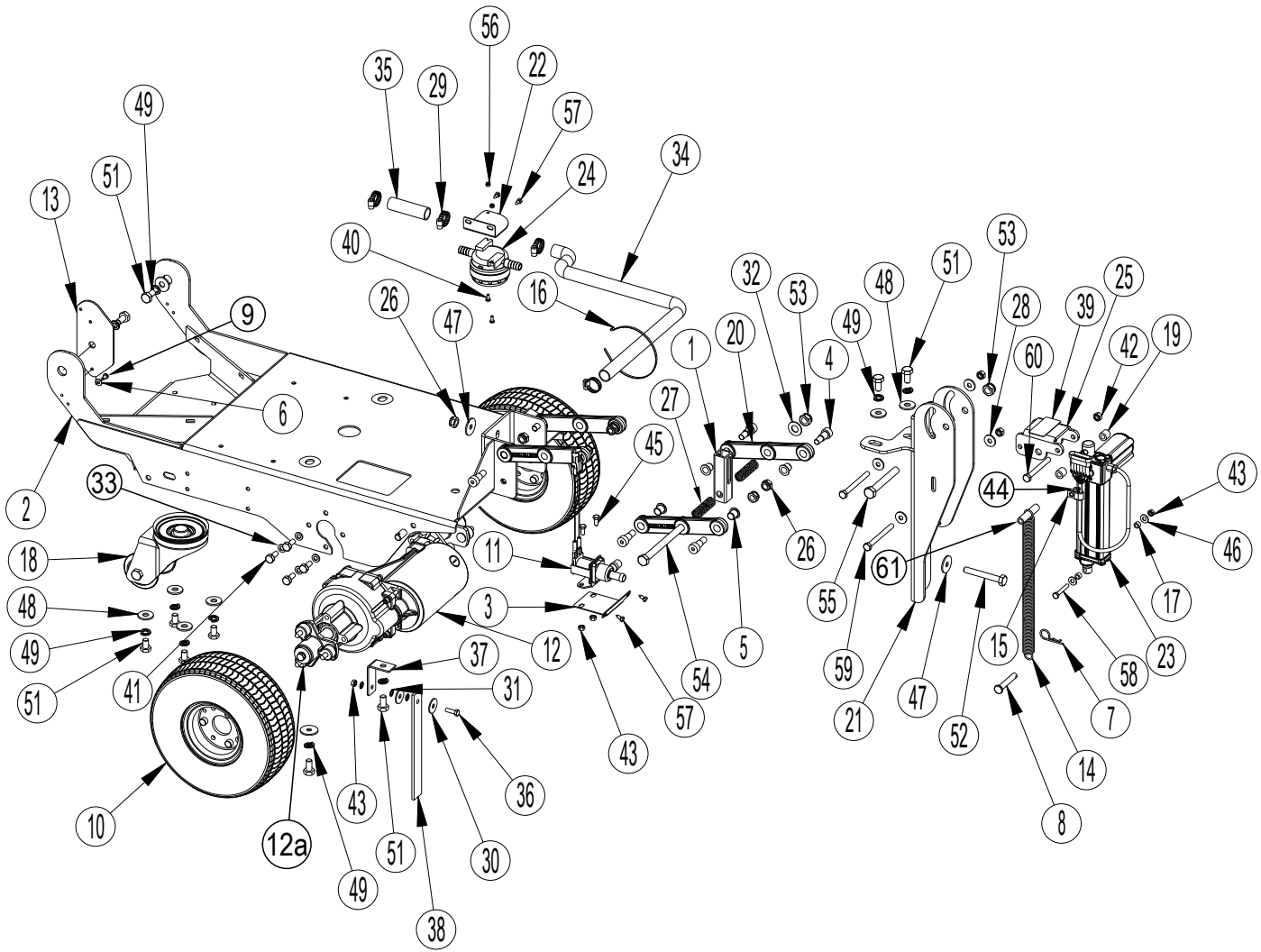
CHASSIS SYSTEM-CYLINDRICAL

10-7

6

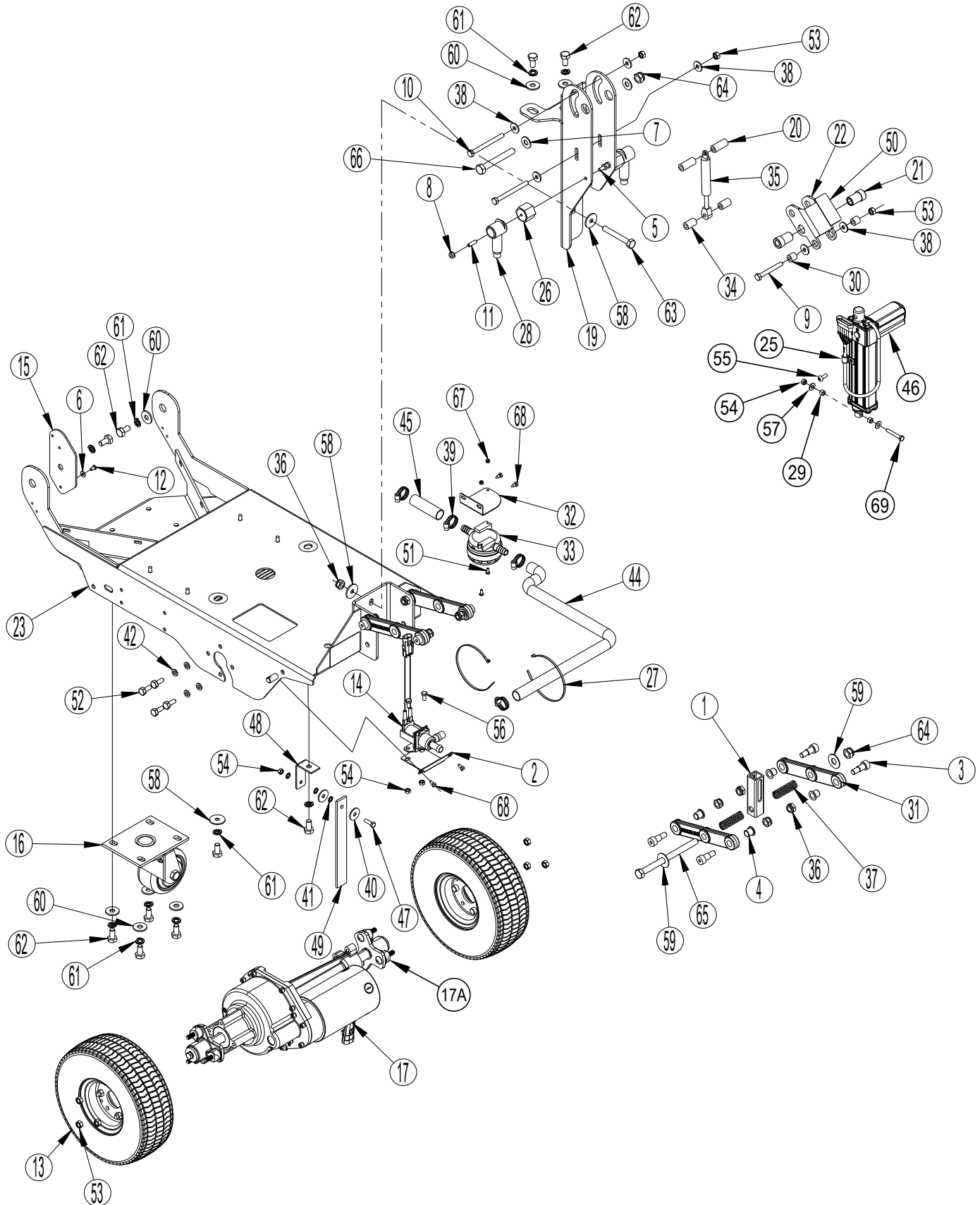
SC750, SC800, SC750 ST, SC800 ST

11-2

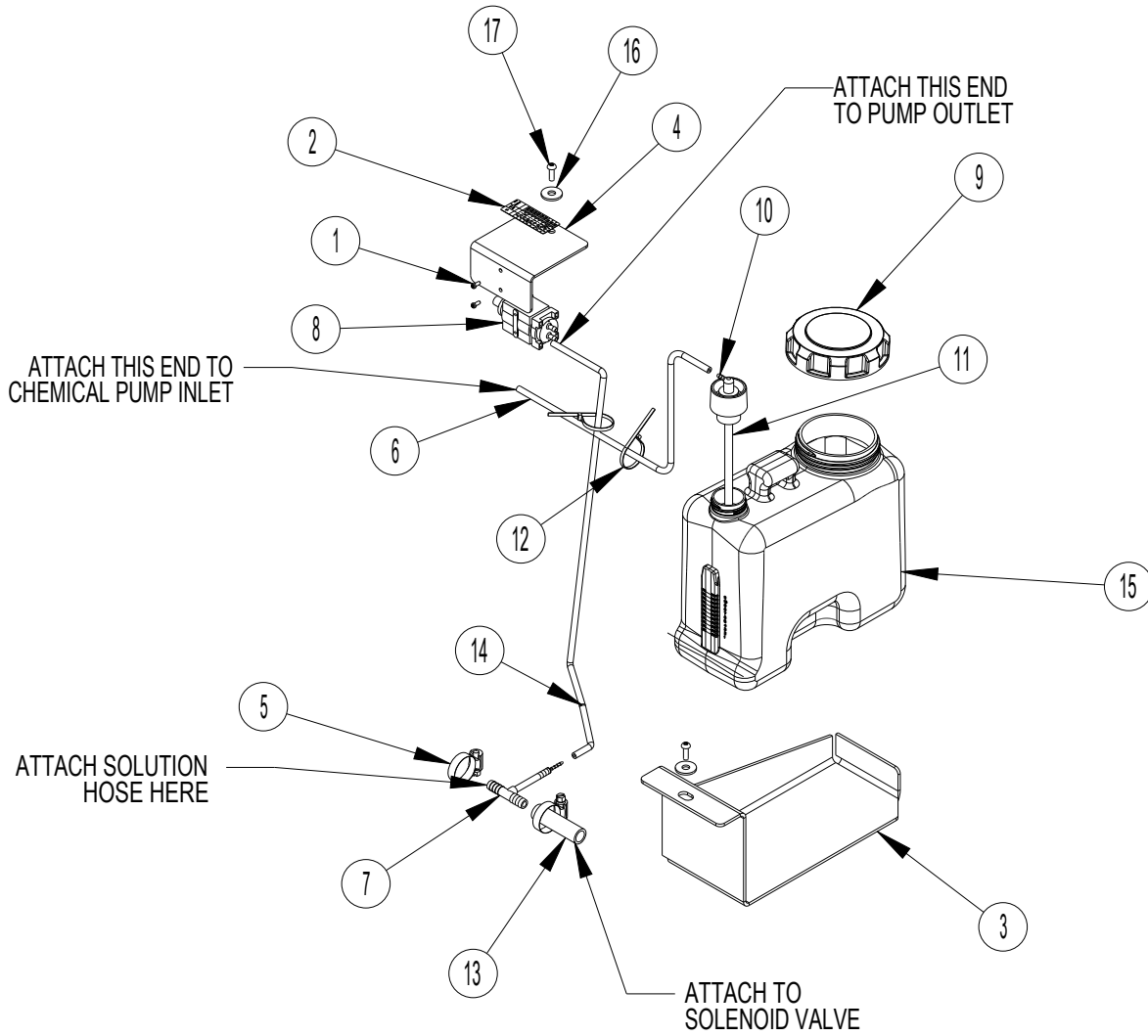


Item	Ref. No.	Qty	Description	Item	Ref. No.	Qty	Description
1	56109717	1	Tube Jack Motor	31	980614	3	Washer, 1/4" Starlock, External
2	56112727	1	Chassis Weldt	32	980648	1	Washer 17/32 X 1 1/16 Plain
3	61932A	1	Bracket, Solution Valve	33	980652	8	Washer, 5/16 Lock
4	88617A	8	Screw, M10xm12x16mm S.B.S.H.	34	30828A	1	Hose, Clear X25.00 Long
5	9097008000	8	Bush Flanged GFM1214-09	35	30829A	1	Hose, Clear X 3.00 Long
6	56001954	1	Wsh, Flt Sae #10	36	57994A	1	Screw, M6- 1 X 20
7	56002959	1	Pin, Cotter Hair	37	61949A	1	Bracket, Ground Strap
8	56003656	1	Pin-Clevis .375 X 2.25	38	69639A	1	Strap, Static
9	56009030	1	Scr, Pan Phil Thd Form 10-24 X .38	39	71017A	1	Label, Moving Parts
10	56112109	2	Tire	40	80057A	2	Screw, M4-.7x10
11	56112147	1	Solenoid Valve Assy (L1)	41	80183A	8	Bolt, M8-1.25 X 20, Hex
12	56112543	1	Transaxle	42	80198A	9	Nut, M8 -1.25 Nylock S.S.
12a	56380158	2	Flange Kit (for 56112543)	43	80199A	4	Nut, M6 -1.00 Nylock S.S.
*	56382670	1	Kit Transaxle Motor (for 56112543) (M1)	44	80208A	1	Screw, M6 X 1.00 X 10mm Pan Head
*	40628A	4	Carbon Brush (for 56112543)	45	80214A	2	Screw, M6 X 1 X 12
13	56112281	1	Connector Bracket	46	87026A	2	Washer, 1/4 Flat S.S.
14	56422075	1	Spring Extension	47	87054A	3	Washer Fender .375
15	56323260	1	Clamp, Hose Support	48	88611A	7	Washer, Flat M10
16	56478523	1	Tie, Cable	49	88612A	10	Washer, Lock M10
17	1462258000	2	Spacer 6.1 X 10 X 6.5	51	88614A	10	Screw, M10-1.5 X 20mm
18	56112308	1	Caster, Rear	52	88616A	1	Screw, Hex Hd M10x75
19	9096112000	2	Spacer	53	88618A	2	Nut, M12 Nylon Insert
20	56382618	4	Lever Kit	54	88619A	1	Screw, Hex Hd M12x160
21	9097368000	1	Support, Jack Motor	55	88620A	1	Screw, Hex Hd M12x90
22	9097370000	1	Bracket, Filter	56	88623A	2	Nut, M4-.7 Nylock Insert
23	40280A	1	Actuator (M2)	57	88624A	4	Screw, M5 X 12mm Hex Self Tap Tri-Lobe
24	9097404000	1	Filter, Water	58	88626A	1	Screw M6-1 X 40mm Hex
*	9095215000	1	Filter and Seal (for 9097404000)	59	56003390	2	Screw, M8 X 90 Hex Head
25	9097456000	1	Lever	60	88635A	1	Screw, M8 X75 Hex Head
26	80223A	9	Nut, M10-1.5 Nylock	61	56112520	1	Spacer
27	E04016	2	Spring				
28	170860	4	Washer, Flat 5/16				
29	722030	4	Clamp, Hose				
30	980205	2	Washer, .31 I.D. X 1.06 O.D.				

* = Optional, Not Included



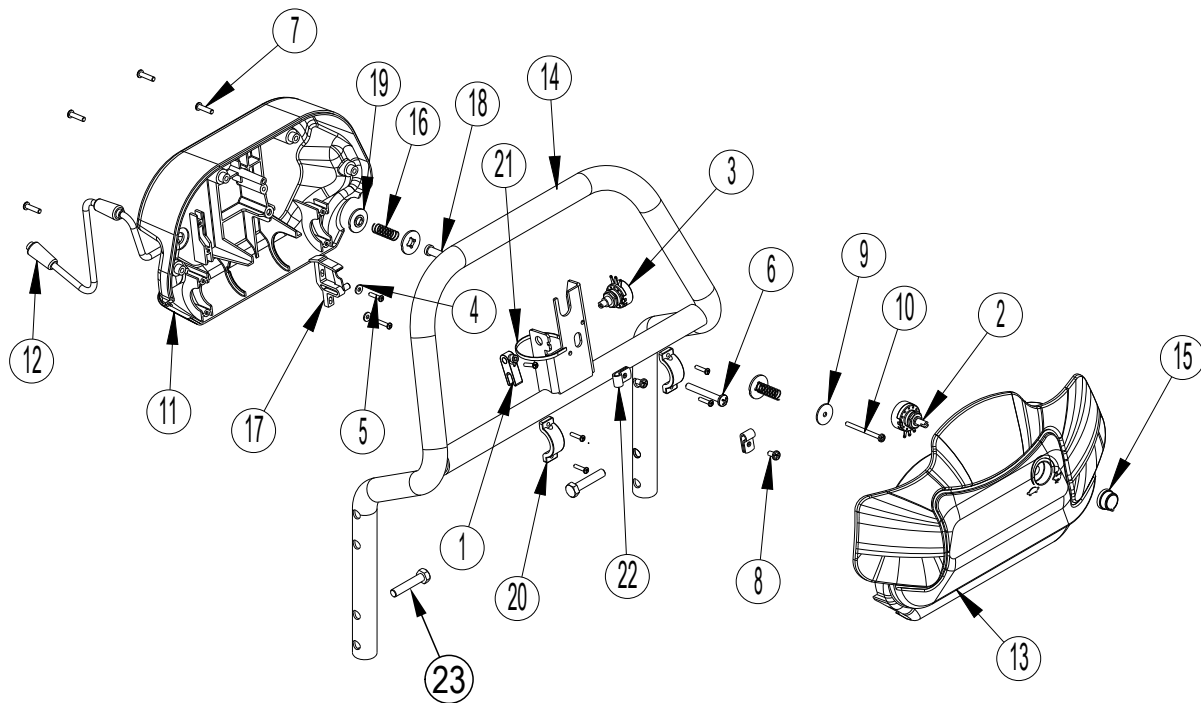
Item	Ref. No.	Qty	Description	Item	Ref. No.	Qty	Description
1	56109717	1	Tube Jack Motor	33	9097404000	1	Filter, Water
2	61932A	1	Bracket, Solution Valve	*	9095215000	1	Filter and Seal (for 9097404000)
3	88617A	8	Screw, M10xm12x16mm S.B.S.H.	34	9096113000	2	Spacer
4	9097008000	8	Bush Flanged GFM1214-09	35	54689A	1	Gas Spring 500n
5	56001854	2	Scr-Hex 1/4-20 X .50	36	80223A	9	Nut, M10-1.5 Nylock
6	56001954	1	Wsh, Flt Sae #10	37	E04016	2	Spring
7	56002055	2	Wsh, Flt Std 3/8	38	170860	6	Washer, Flat 5/16
8	56002561	2	Nut, Hex W/ Shprf 1/4-20	39	722030	4	Clamp, Hose
9	33004003	1	Screw Hex Hd Uni-5739 M8x65	40	980205	2	Washer, .31 I.D. X 1.06 O.D.
10	56003390	2	Scr-Hex M8-1.25 X 90mm	41	980614	3	Washer, 1/4" Starlock, External
11	56009020	2	Stud	42	980652	8	Washer, 5/16 Lock
12	56009030	1	Scr, Pan Phil Thd Form 10-24 X .38	43	980657	4	Washer, Lock 1/4
13	56112109	2	Wheel	44	30828A	1	Hose, Clear X25.00 Long
14	56112147	1	Solenoid Valve Assy	45	30829A	1	Hose, Clear X 3.00 Long
15	56112281	1	Connector Bracket	46	40280A	1	Actuator
16	56112308	1	Caster-Swivel 4.00 X 2.00	47	57994A	5	Screw, M6- 1 X 20
17	56112543	1	Transaxle	48	61949A	1	Bracket, Ground Strap
17A	56380158	2	Flange Kit (for 56112543)	49	69639A	1	Strap, Static
*	56382670	1	Kit Transaxle Motor (for 56112543) (M1)	50	71017A	1	Label, Moving Parts
*	40628A	4	Carbon Brush (for 56112543)	51	80057A	2	Screw, M4-.7x10
18	56112544	1	Battery Charger 24v 25a	52	80183A	8	Bolt, M8-1.25 X 20, Hex
19	56112711	1	Lifting Support Weldt	53	80198A	9	Nut, M8 -1.25 Nylock S.S.
20	56112715	2	Spacer Nylon	54	80199A	4	Nut, M6 -1.00 Nylock S.S.
21	56112716	2	Spacer Nylon	55	80208A	1	Screw, M6 X 1.00 X 10mm Pan Head
22	56112719	1	Lever	56	80214A	2	Screw, M6 X 1 X 12
23	56112727	1	Chassis Weldt	57	87026A	6	Washer, 1/4 Flat S.S.
24	56315270	1	Charger Cord, Us	58	87054A	3	Washer Fender .375
25	56323260	1	Clamp, Hose Support	59	87607A	2	Washer, Nylon 1.25 X .52 X .06 Flat
26	56469858	2	Electrical Mount	60	88611A	7	Washer, Flat M10
27	56478523	8	Tie, Cable	61	88612A	10	Washer, Lock M10
28	56493357	2	Insulator, Terminal	62	88614A	10	Screw, M10-1.5 X 20mm
29	1462258000	2	Spacer 6.1 X 10 X 6.5	63	88616A	1	Screw, Hex Hd M10x75
30	9096112000	2	Spacer	64	88618A	2	Nut, M12 Nylon Insert
31	56382618	4	Lever Kit	65	88619A	1	Screw, M12-1.75 X 160mm Hex
32	9097370000	1	Bracket, Filter	66	88620A	1	Screw, Hex Hd M12x90
				67	88623A	2	Nut, M4-.7 Nylock Insert
				68	88624A	4	Screw, M5 X 12mm Hex Self Tap Tri-Lobe
				69	88626A	1	Screw M6-1 X 40mm Hex



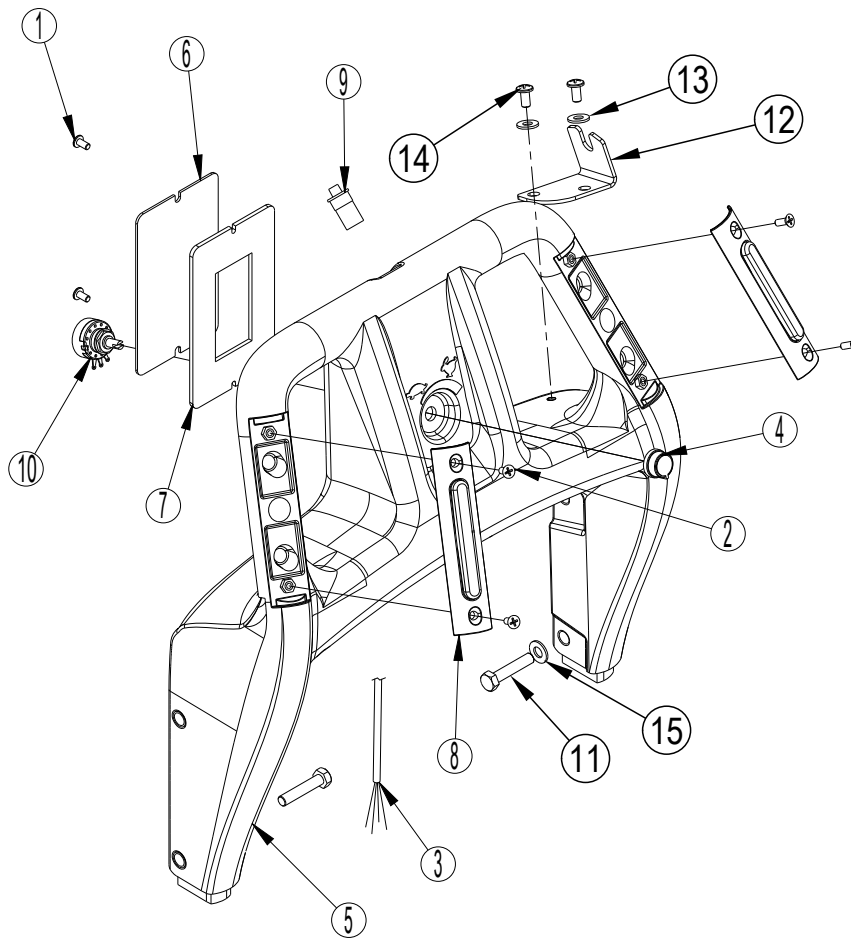
Item	Ref. No.	Qty	Description
1	56002539	2	Scr, Pan Phil Thd Form 6-32 X .31
2	56016331	1	Decal-Chemical Ratio
3	56112125	1	Bracket-Bottle Support
4	56112126	1	Bracket-Pump Mount
5	722030	2	Clamp- Hose
6	56306169	1	Hose, Chem Resistant, 17.00
7	56314983	1	Tee Assembly
8	56315241	1	Pump-Chemical (M6)
9	56315517	1	Cap, Raw
10	56315523	1	Cap, Dry Break, 1/8 Barb, 90\$
11	56315527	1	Insert, Dry Break
12	56325219	2	Tie, Cable
13	56392347	1	Hose, Pvc Clear 2.5 Inch
14	56413692	1	Hose, Chem Resistant, 21.00
15	56601544	1	Chemical Bottle Assy
*	56601545	1	Chemical Bottle Assy (Includes 9, 11 & 15)
16	56002098	2	Wsh-Flat SAE 1/4
17	56003627	2	Scr-Pan Phil M6-1 X 16mm

* = Optional, Not Included

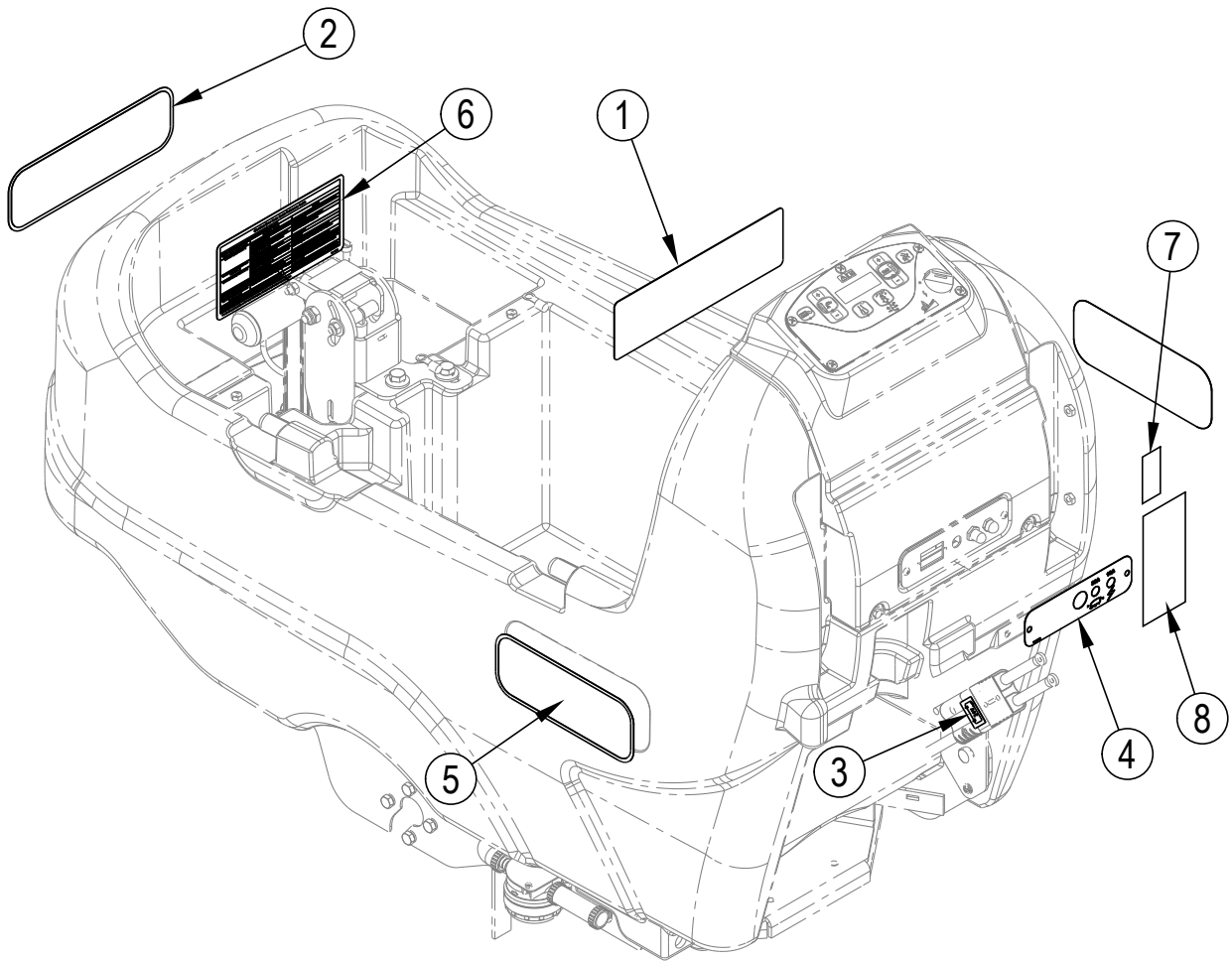
NOTE: Detergent Injection is standard on model 56112780.



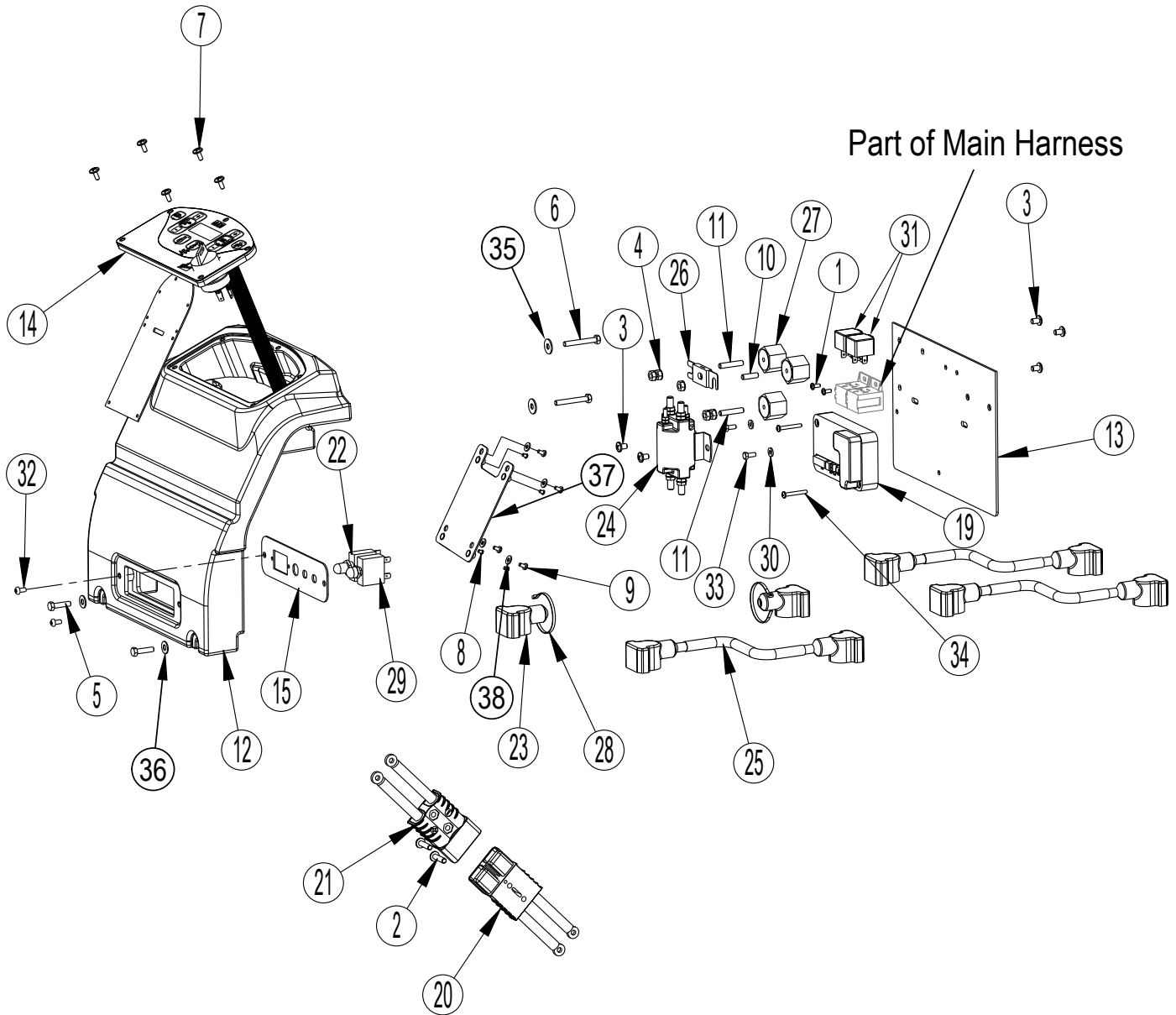
Item	Ref. No.	Qty	Description
	56112218	1	Paddle Assembly (1-22)
1	56109648	1	Potentiometer Fork
2	56396197	1	Potentiometer-Speed Limit (R2)
3	56397029	1	Potentiometer-5k (R1)
4	56002006	2	Wsh, Flt Sae #6
5	56003197	7	Scr, Pan Phil Plastite 6-18 X .62
6	56003527	1	Scr, Pan Phil Plastite 1/4-1 X 2.00
7	56003545	4	Scr, Pan Phil Plastite 8-10 X .75
8	56009030	2	Scr, Pan Phil Thd Form 10-24 X .38
9	56009096	1	Wsh, Flt .193 X .875 X .060
10	56009287	1	Scr, Pan Phil Type B 8 X 2.00
11	56109716	1	Paddle-Back Cover
12	56112179	1	Harness-Paddle
13	56315230	1	Paddle, Front Cover
14	56315251	1	Weldment-Handle Bar
15	56315280	1	Knob
16	56325654	2	Spring - Compression
17	56397015	1	Cam Controller
18	56397109	1	Sleeve
19	56397170	3	Washer, Plastic
20	56397171	2	Clamp
21	56478246	1	Tie, Cable
22	56481890	2	Clamp-P
23	56002094	4	Scr-Hex 5/16-18 x 1.50



Item	Ref. No.	Qty	Description
	56112219	1	Handle Assembly (1-10)
1	56002043	2	Scr-Pan Phil 10-24 X .38
2	56002178	4	Scr, Flt Phil 10-24 X .50
3	56112186	1	Harness-Handle
4	56315280	1	Knob
5	56315931	1	Handle, Rotomold
6	56315932	1	Access Plate
7	56315933	1	Gasket, Access Panel
8	56315935	2	Palm Switch Assembly (S4 / S5)
9	56315945	1	Switch, Spst Mom. (S6)
10	56315929	1	Potentiometer-Speed Limit (R2)
11	56003437	4	Scr-Hex SS M8-1.25 x 40mm
12	56112299	1	Squeegee Holder
13	56002098	2	Wsh-Flt SAE 1/4
14	56002145	2	Scr-Pan Phil 1/4-20 x .50
15	56001939	4	Wsh-Flt SAE 5/16



Item	Ref. No.	Qty	Description
1	56014601	1	Decal, Caution
2	56016730	1	Decal-Advance
3	56054192	1	Decal, Charger
4	56112168	1	Decal-Circuit Breaker
5	56112525	2	Decal-SC750
	56112526	2	Decal-SC800
	56112527	2	Decal-SC750 ST
	56112528	2	Decal-SC800 ST
	56112529	2	Decal-SC750 EcoFlex
	56112530	2	Decal-SC800 EcoFlex
6	56112292	1	Decal-Error Codes
7	71362A	1	Decal-NFSI
8	56112539	1	Decal-Warning/Wiring

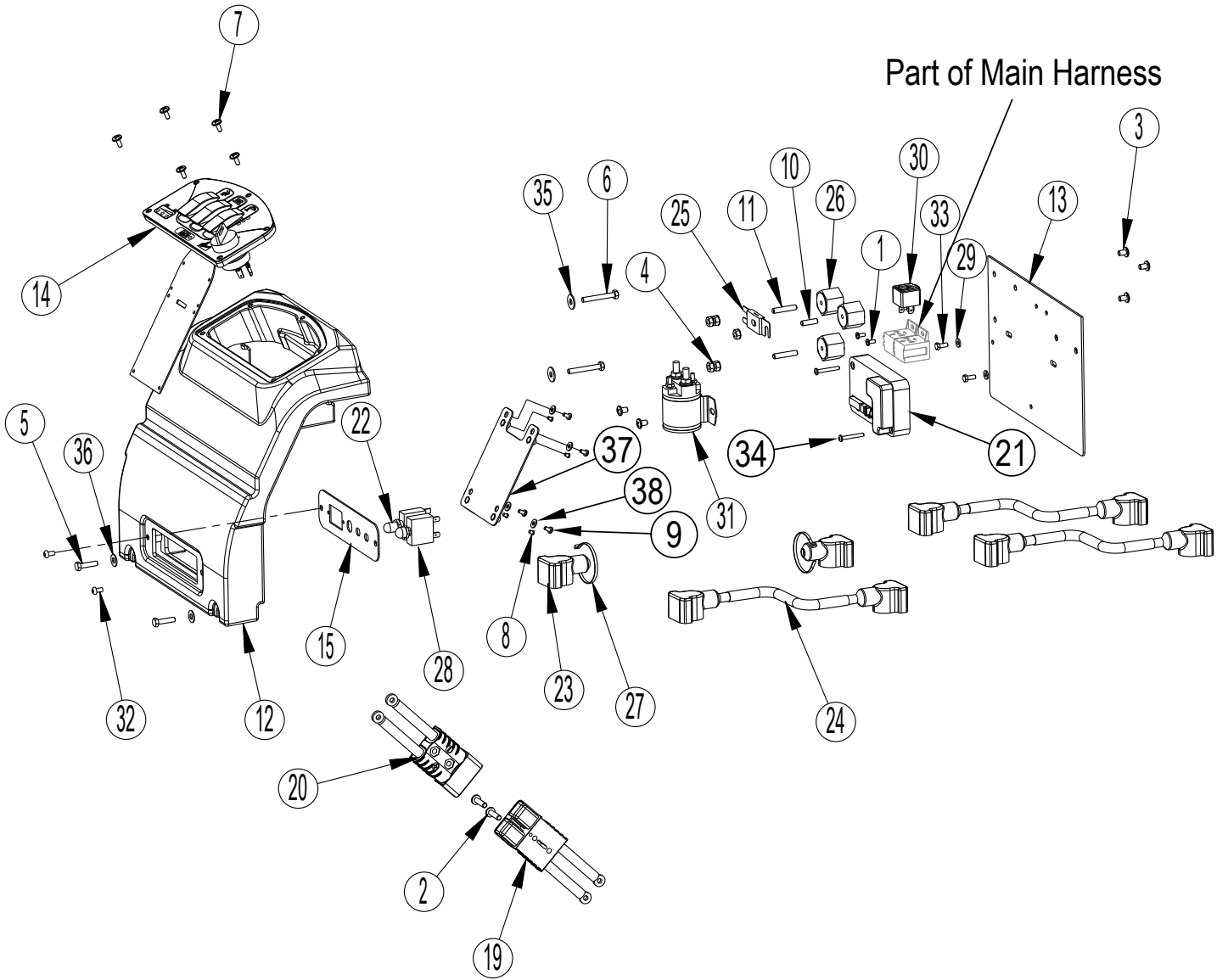


Item	Ref. No.	Qty	Description
1	56001818	2	Scr-Pan Phil 8-32 X .38
2	56002292	2	Scr-Pan Phil 1/4-20 X 1.00
3	56002462	5	Scr-Pan Phil 1/4-20 X .38
4	56002561	5	Nut, Hex W/ Shprf 1/4-20
5	56003430	2	Scr, Hex Ss M6-1 X 25mm
6	56003631	2	Scr, Hex M6-1 X 45mm
7	56003808	5	Scr- Truss Phil Blk M5-0.8 X 12mm
8	56003336	4	Scr-Pan Phil Blk 6-32 x .19
9	56003653	4	Scr-Pan Phil M4-0.7 x 8mm
10	56009020	1	Stud
11	56009203	2	Stud, 1/4-20
12	56112112	1	Control Panel
13	56112115	1	Electrical Panel
14	56112351	1	Kit AXP Control Board
[]	56303553	1	Switch-Key (S3)
*	56303526	1	Replacement Key Set (for 56303553)
*	56112253	1	Kit-Interface Panel (Membrane Switch, Membrane Panel, Gasket)
15	56112540	1	Plate-Circuit Breaker NOTE 1
[17]	56112169	1	Cable-Jumper
[18]	56112174	1	Harness-Main
19	56112187	1	Speed Controller 70a 24v (A2)
20	56112188	1	Connector Assy
21	56112189	1	Connector Assy
22	56315256	1	Circuit Breaker, 30 Amp (CB1)
23	56372673	2	Boot-Battery Post
24	56397088	1	Contact, 24v Spdt (K2)
25	40172A	3	Cable,Battery
26	56412089	1	Fuse, 150 Amp (F1)
27	56469858	3	Electrical Mount
28	56478246	2	Tie, Cable
29	56507644	1	Circuit Breaker, 10 Amp (CB2)
30	980643	2	Washer 7/16 Od X .036 Thk
31	41075A	2	Relay, 40A (K1 / K3)
32	80193A	2	Screw, M5 X 0.8 X 10mm P.H.
33	80249A	2	Screw, Hex Thd To Hd M5x12
34	80380A	2	Screw, 8-32 X 1 1/4" P.H.
35	56385358	2	Washer
36	87026A	2	Washer, 1/4 Flat S.S.
37	56112535	1	Bracket-PCB Mount
38	56002140	4	Wsh-Fit SAE 8

[] = Not Shown

* = Optional, Not Included

NOTE 1: Circuit Breaker Plate 56112122 is obsolete and has been replaced by 56112540.

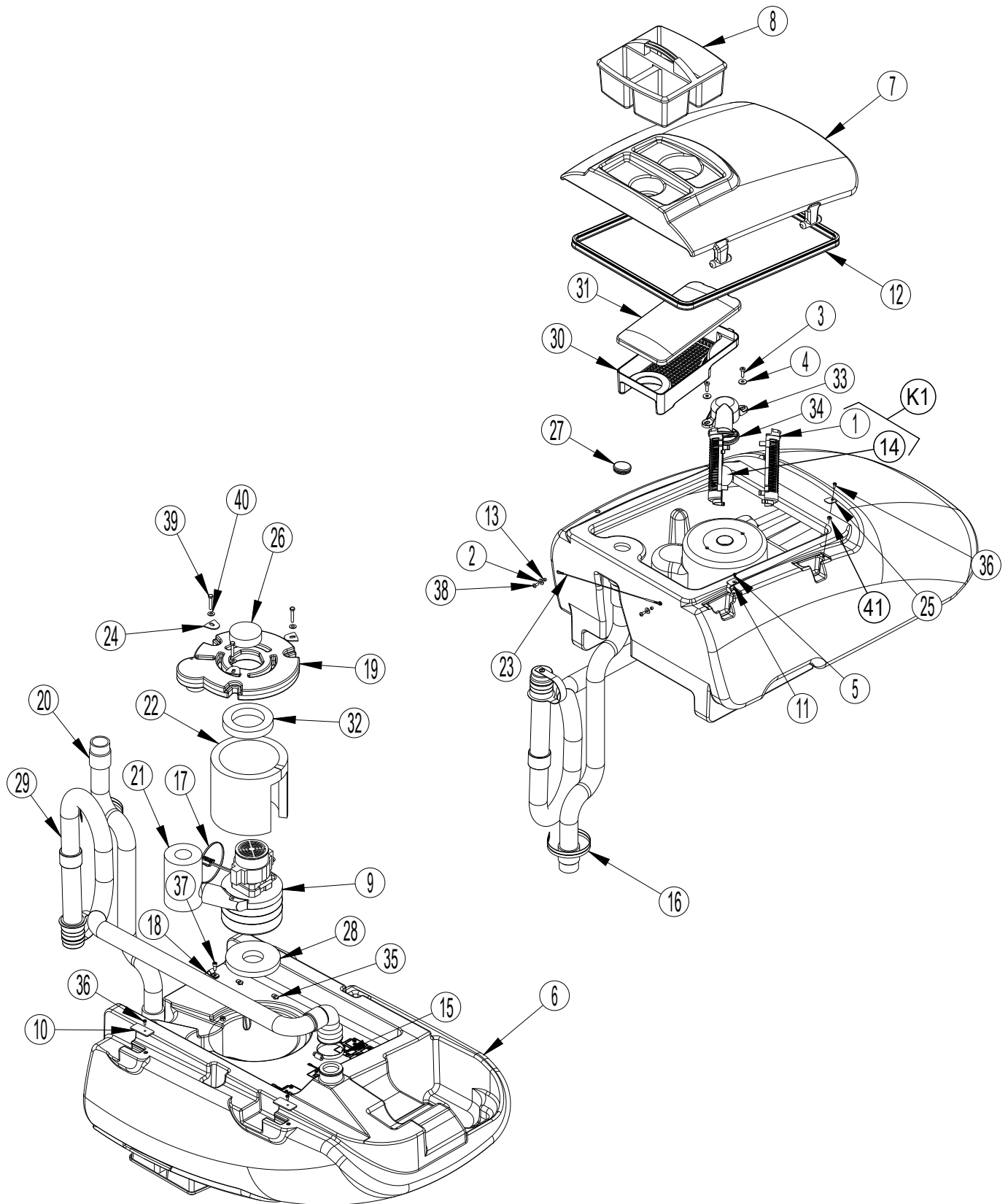


Item	Ref. No.	Qty	Description
1	56001818	2	Scr-Pan Phil 8-32 X .38
2	56002292	2	Scr-Pan Phil 1/4-20 X 1.00
3	56002462	5	Scr-Pan Phil 1/4-20 X .38
4	56002561	5	Nut, Hex W/ Shprf 1/4-20
5	56003430	2	Scr, Hex Ss M6-1 X 25mm
6	56003631	2	Scr, Hex M6-1 X 45mm
7	56003808	5	Scr- Truss Phil Blk M5-0.8 X 12mm
8	56003336	4	Scr-Pan Phil Blk 6-32 x .19
9	56003653	4	Scr-Pan Phil M4-0.7 x 8mm
10	56009020	1	Stud
11	56009203	2	Stud, 1/4-20
12	56112112	1	Control Panel
13	56112115	1	Electrical Panel
14	56112352	1	Kit ST Control Board
[]	56112190	3	Switch-Momentary Rocker (S7 / S8 / S9)
[]	56303553	1	Switch-Key (S3)
*	56303526	1	Replacement Key Set (for 56303553)
*	56112254	1	Kit-Interface Panel ST (Membrane Switch, Membrane Panel, Gasket)
15	56112540	1	Plate-Circuit Breaker NOTE 1
[17]	56112169	1	Cable-Jumper
[18]	56112174	1	Harness-Main
19	56112188	1	Connector Assy
20	56112189	1	Connector Assembly
21	56112241	1	Speed Controller 70a 24v (A2)
22	56315256	1	Circuit Breaker, 30 Amp (CB1)
23	56372673	2	Boot-Battery Post
24	40172A	3	Cable,Battery
25	56412089	1	Fuse, 150 Amp (F1)
26	56469858	3	Electrical Mount
27	56478246	2	Tie, Cable
28	56507644	1	Circuit Breaker, 10 Amp (CB2)
29	980643	2	Washer 7/16 Od X .036 Thk
30	41075A	1	Relay, 40a (K1)
31	56412179	1	Contacto 24 VDC (K2)
32	80193A	2	Screw, M5 X 0.8 X 10mm P.H.
33	80249A	2	Screw, Hex Thd To Hd M5x12
34	80380A	2	Screw, 8-32 X 1 1/4" P.H.
35	56385358	2	Washer
36	87026A	2	Washer, 1/4 Flat S.S.
37	56112535	1	Bracket-PCB Mount
38	56002140	4	Wsh-Fit SAE 8

[] = Not Shown

* = Optional, Not Included

NOTE 1: Circuit Breaker Plate 56112122 is obsolete and has been replaced by 56112540.



	Item	Ref. No.	Qty	Description
K1	1		2	Cage, Float
	2	56002053	2	Wsh, Flt Std #10
	3	56003443	2	Scr, Pan Phil M6-1 X 20mm
	4	56003638	2	Wsh, Flt Ss 6mm
	5	56003823	1	Scr-Flt Phil Ss M4-0.7 X 8mm
	6	56112106	1	Recovery Tank (SC750 models)
		56112102	1	Recovery Tank (SC800 models)
	7	56112107	1	Recovery Lid (SC750 models)
		56112103	1	Recovery Lid (SC800 models)
	8	56112222	1	Utility Caddy
	9	56112239	1	Vac Motor-24 Vdc (M5)
	*	56382640	1	Carbon Brush Set of 2 (for 56112239)
	10	56112293	2	Retainer Plate
	11	56112296	1	Retainer Plate
	12	56112297	1	Gasket-Recovery Lid
	13	56151092	2	Bushing
K1	14		1	Ball, Float
	15	56440213	2	Clamp- Hose Sae #32
	16	56477613	2	Tie, Cable
	17	56478523	1	Tie, Cable
	18	56323260	2	Clamp-P
	19	9096051000	1	Vacuum Motor Cover
	20	56112316	1	Suction Hose
	21	9096442000	1	Insulation Tube
	22	9096491000	1	Panel, Acoustic Insulation
	23	9096634000	1	Stop Tank Cable
	24	9096638000	3	Vacuum Cover Plate
	25	9096643000	1	Tank Cover Plate
	26	9096672000	1	Filter
	27	9096899000	1	Cap - Tank
	28	9096918000	1	Gasket Vacuum Motor
	29	56112310	1	Drain Hose-Recovery
	30	9097384000	1	Debris Tray
	31	9097477000	1	Debris Tray Cover
	32	9097555000	1	Gasket, Vacuum Motor
	33	9097587000	1	Support Float System
	34	9097588000	1	Gasket Float Support
	35	9097589000	2	Nut Drivin 6x6 Ss
	36	80057A	3	Screw, M4-.7x10
	37	80208A	2	Screw M6-1 X 10mm P.P.Hd
	38	80363A	2	Screw M5-.8x12 Bt
	39	80410A	3	Screw, 6mm X 1.00 X 35mm Lg Hex
	40	87026A	3	Washer, 1/4 Flat S.S.
	41	9096679000	1	Spacer
K1	56112303		1	Kit-Float Ball Cage

* = Optional, Not Included

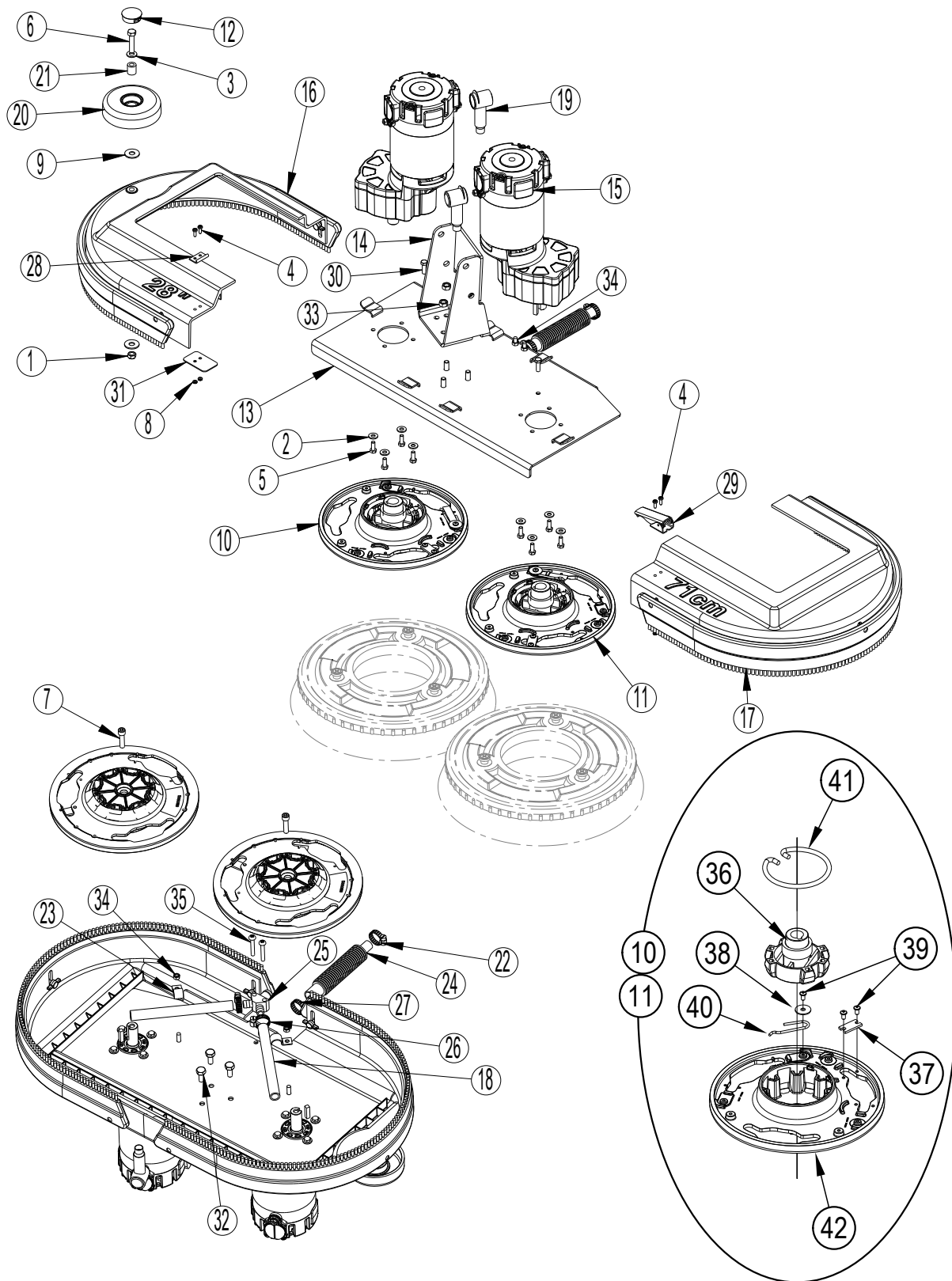
SCRUB SYSTEM-DISK

10-7

20

SC750, SC800, SC750 ST, SC800 ST

10-10



Item	Ref. No.	Qty	Description
1	56002851	1	Nut, Hex Nyl Loc-Thin SS 5/16-18
2	56002859	8	Wsh, Flt Sae SS 1/4
3	56002938	1	Wsh, Flt Sae SS 5/16
4	56003354	4	Scr,Pan Phil Metric
5	56003431	8	Scr, Hex SS M6-1 X 16mm
6	56003455	1	Scr- Hex SS 5/16-18 X 1.50
7	56003798	2	Scr, Soc Hd 5/16-18 X 1.25 Zinc Plated
8	56003821	4	Nut-Hex Nyl Loc Thin M4-.07
9	56009213	2	Wsh, Flt .392x1.00x.075
10	56109651	1	Brush Plate Assy – CCW (36-43)
11	56109652	1	Brush Plate Assy – CW (36-43)
12	56111444	1	Button Plug-1.25
13	56112231	1	Brush Plate Weldt 26D (26" models)
[]	56112232	1	Brush Plate Weldt 28D (28" models)
[]	56112233	1	Brush Plate Weldt 34D (34" models)
14	56112523	1	Linkage Bracket
15	56112240	2	Motor Gearbox Assy (M3 / M4)
*	56112242	2	Carbon Brush (for 56112240)
16	56112257	1	Brush Skirt Assy-26D Left (26" models)
16	56112259	1	Brush Skirt Assy-28D Left (28" models)
16	56112261	1	Brush Skirt Assy-34D Left (34" models)
17	56112258	1	Brush Skirt Assy-26D Right (26" models)
17	56112260	1	Brush Skirt Assy-28D Right (28" models)
17	56112262	1	Brush Skirt Assy-34D Right (34" models)
[]	56112305	1	Kit-Bristle Skirt 26 (26" models / Includes two skirts and mounting hardware)
[]	56112306	1	Kit-Bristle Skirt 28 (28" models / Includes two skirts and mounting hardware)
[]	56112307	1	Kit-Bristle Skirt 34 (34" models / Includes two skirts and mounting hardware)
18	34705A	2	Hose-Solution 6.00 (26" models)
	56397207	2	Hose, PVC Clear 7.00 (28" models)
	30453A	2	Hose-Clear Vinyl (34" models)
19	56409538	2	Terminal Insulator (28" & 34" models)
20	56601450	1	Wheel, 4.00 OD
21	56601499	1	Bushing, Nylon
22	722030	1	Clamp, Hose
23	782002	2	Clamp, Manifold
24	30412A	1	Hose, Solution
25	38014A	1	Splitter, Solution
26	50248A	2	Clamp, Hose
27	53571A	1	Clamp, Hose
28	55451A	1	Keeper, Latch
29	55721A	1	Latch, Southco 91-512-07
30	57994A	2	Screw, M6- 1 X 20
31	69186A	1	Tab, Latch, Brush
32	80183A	3	Bolt, M8-1.25 X 20, Hex
33	80198A	3	Nut, M8 -1.25 Nylock S.S.
34	80199A	4	Nut, M6 -1.00 Nylock S.S.
35	88627A	2	Screw, M6-1 X 40mm Ph
36	56112521	1	Gimbal Assembly
37	56366455	1	Plate, Stop
38	56009002	1	Wsh, Flt .266 x .906 x .060
39	56009247	3	Scr, Pan Phil Plastite 10-14 x .38
40	56109653	1	Spring Retainer
41	56601056	1	Spring, Brush Holder
42	56601118	1	Brush Plate

[] = Not Shown

* = Optional, Not Included

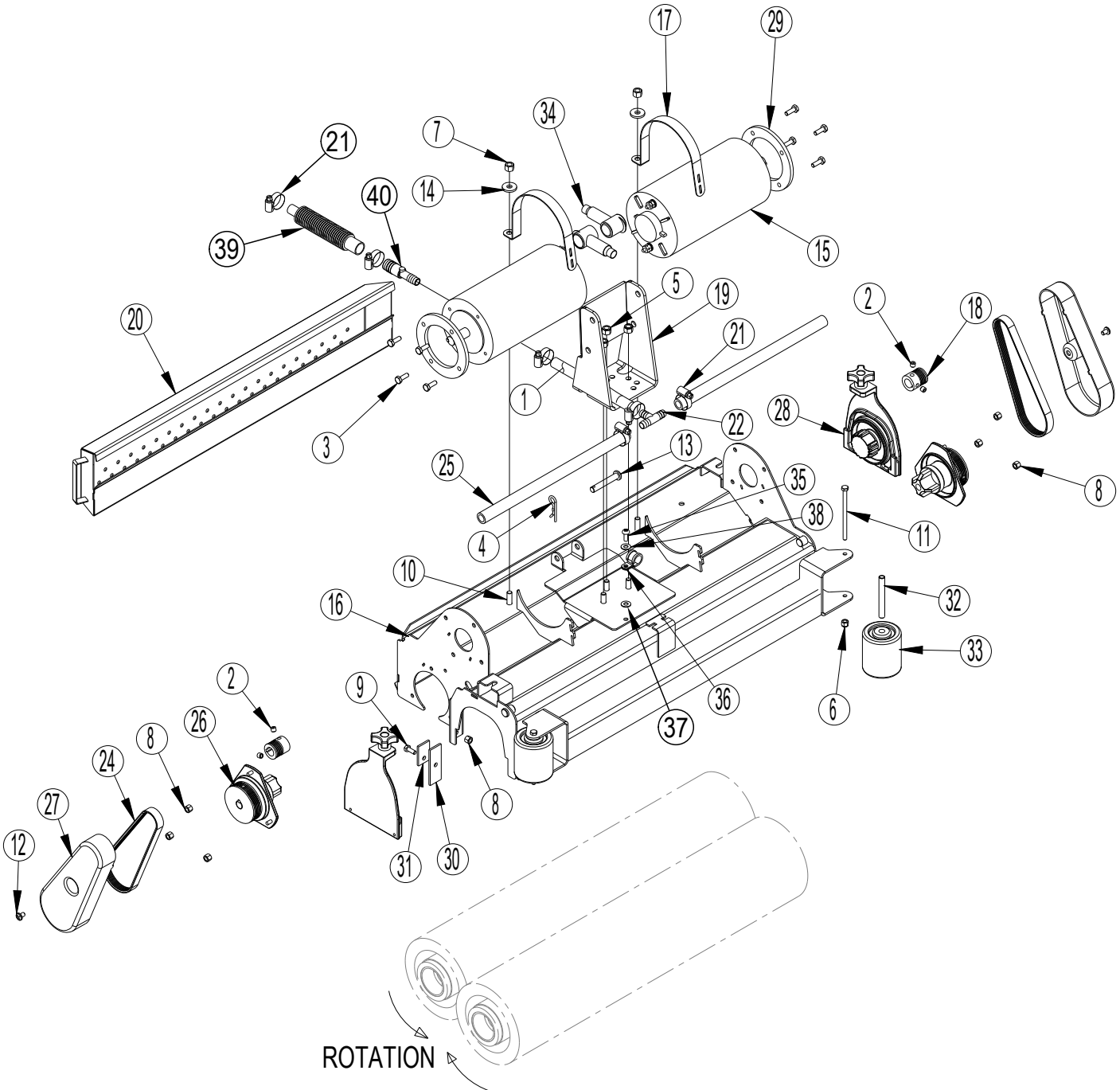
SCRUB SYSTEM-CYLINDRICAL

10-7

22

SC750, SC800, SC750 ST, SC800 ST

11-12



Item	Ref. No.	Qty	Description
1	56397207	1	Hose
2	56002086	4	Scr, Soc Set Loc 5/16-18 X .25
3	56002948	8	Scr,Hex Hd Loc 1/4-20x.75
4	56003222	1	Pin, Cotter Hair
5	56003389	3	Nut-Hex Nyl Loc M8-1.25
6	56003403	2	Nut-Hex Nyl Loc M6-1
7	56003405	2	Nut, Hex Nyl Loc Ss M8-1.25
8	56003426	8	Nut, Hex Nyl Loc Ss M6-1
9	56003431	2	Scr, Hex Ss M6-1 X 16mm
10	56003436	2	Scr, Hex Ss M8-1.25 X 25mm
11	56003492	2	Scr, Hex M6-1 X 95mm
12	56003603	2	Scr, Pan Phil Thd Form 1/4-20 X .38
13	56003656	1	Pin-Clevis .375 X 2.25
14	56009122	2	Wsh, Flt .344 X .938 X .125
15	56112111	2	Motor-24 Vdc 3/4hp (M3 / M4)
*	56412257	1	Brush Cap Assy (for 56112111)
16	56112161	1	Brush Housing Weldment-28 (28" models)
	56112163	1	Brush Housing Weldment-32 (32" models)
17	56112165	2	Strap-Motor
18	56112166	2	Sheave-Poly-V
19	56112523	1	Linkage Bracket
20	56112283	1	Hopper Weld't-28 (28" models)
	56112288	1	Hopper Weld't-32 (32" models)
21	56112771	6	Clamp- Hose Sae #10
22	56262549	1	Tee,Barb
24	56315321	2	Belt, Auto Tension
25	56315355	2	Manifold, Pvc 28 (28" models)
	56315647	2	Manifold, Pvc 32 (32" models)
26	56407559	2	Drive End Assy
27	56315445	2	Cover, Belt
28	56314445	2	Idler End Assy
[]	56407303	2	Knob (for 56314445)
29	56316197	2	Plate, Motor Spacer
30	56407391	2	Blade
31	56410214	2	Strap
32	56412176	2	Bushing
33	56412459	2	Wheel
34	56409538	2	Terminal Insulator
35	56002066	1	Scr Pan Phil 1/4-20 X .62
36	54779A	1	Clamp P 5/8 Steel
37	56009064	1	Wsh Int Shprf 1/4
38	87026A	1	Washer, 1/4 Flat S.S.
39	30412A	1	Hose-Solution
40	56315625	1	Barb-Coupler 1/2 x 3/4

[] = Not Shown

* = Optional, Not Included

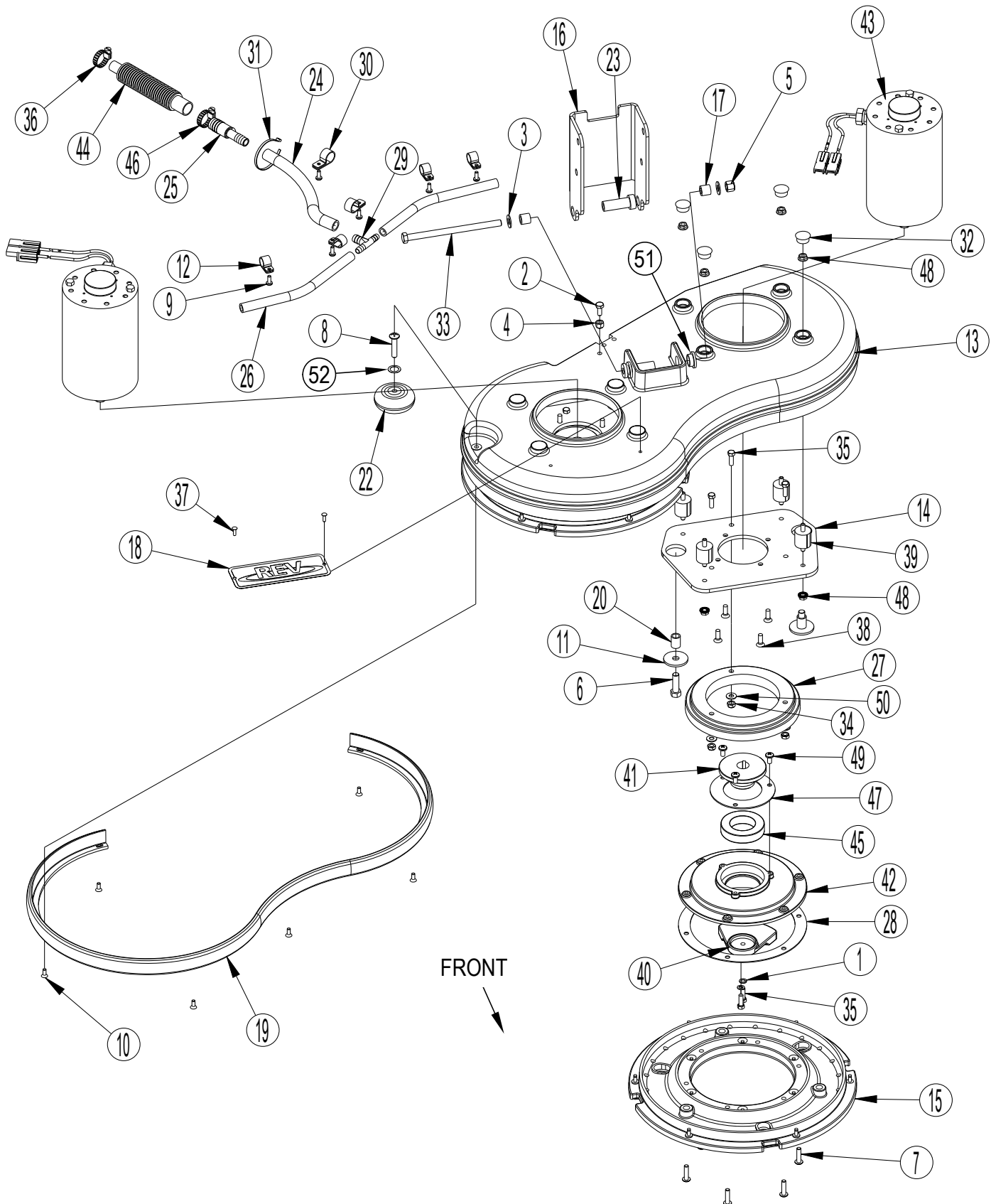
SCRUB SYSTEM-REV

10-7

24

SC750, SC800, SC750 ST, SC800 ST

12-5



Kit	Item	Ref. No.	Qty	Description	Item	Ref. No.	Qty	Description
K6	1		4	Helical Spring Lock Washer Washer Lock 1/4	*	56112733	2	Pad Maroon Spp14
K6	2		1	Scr-Hex 1/4-20 X .62	*	56112734	2	Pad Micro Fiber-14 In
K6	3		2	Wsh, Flt Sae 3/8	*	56112746	2	Velcro 2 Sided 14
K6	4		1	Nut, Hex Nyl Loc 1/4-20				
K6	5		1	Nut-Hex Nyl Loc 3/8-16				
K2,K6	6		4	Scr-Hex Hd Loc 3/8-16x1.25				
K5,K6	7		12	Scr, Pan Phil Ss 1/4-20 X 1.00				
K6	8		1	Scr, Pan Phil Ss 5/16-18 X 1.50				
K3,K6	9		6	Scr, Pan Phil Thd Form 10-24 X .50				
K4,K6	10		6	Scr, Flt Phil Thd Form 10-24x.50				
K2,K6	11		4	Wsh, Flt .406 X 1.500 X .125				
K3	12		4	Clamp-P				
	13	56112700	1	Rev Deck				
	14	56112701	2	Motor Plate				
K5	15		2	Pad Driver Assy				
	16	56112706	1	Bracket-Linkage				
	17	56112707	2	Bushing-Nylon				
	18	56112723	1	Decal-Rev Embossed				
K4	19		1	Bumper				
K2	20		4	Sleeve				
	[21]	56112726	2	Jumper				
	22	56112735	1	Wheel				
	23	56112737	2	Bushing				
K3	24		1	Hose Pvc				
K3	25		1	Barb, Coupler 1/2 X 3/4				
K3	26		2	Hose Pvc				
K7	27		2	Shield Splash				
K8	28		2	Gasket Driver				
K3	29		1	Tee, Barb				
K3	30		2	Clamp-P				
K3	31		1	Tie, Cable				
	32	56900041	8	Plug, Cap				
K6	33		1	Screw 3/8-16 X 6.00				
K6,K7	34		6	Nut, 1/4-20 Hex Esna				
K6,K7	35		10	Screw, 1/4-20 X 3/4 Hex Head				
	36	722030	1	Clamp, Hose				
K6	37		2	Rivet, 0.156 Dia X 1/2				
K6	38		8	Screw, 1/4-20 X 3/4 F.H.				
K1	39		8	Isolator-40 Duro 1/4-20				
	40	56390002	2	Weight Counter				
K9	41		2	Eccentric				
	42	56390027	2	Driver Motor				
	43	56390072	2	Motor, 24VDC (M3 / M4)				
	[]	56412287	2	Motor Brush/Spring Kit				
	[]	40645A	2	Connector Housing Pp75 Black				
	[]	40657A	2	Connector Contact				
	44	30412A	1	Hose, Solution				
	45	50736A	2	Bearing				
	46	53571A	1	Clamp, Hose				
K8	47		2	Retainer, Bearing				
K1,K6	48		16	Nut, Serrated Flange				
K6,K8	49		6	Screw 1/4-20 X 1/2 Pan Hd Ss				
K6,K7	50		6	Washer, 1/4 Flat S.S.				
	51	56420160	2	Bearing Flange E00201				
	52#	56009265	1	Wsh Wave .531 X .781 X .013				
K1	56112740		1	Kit-Isolator				
K2	56112741		1	Kit-Stabilizer Stud				
K3	56112742		1	Kit-Solution Hose				
K4	56112743		1	Kit-Bumper				
K5	56112744		2	Kit-Pad Driver				
K6	56112745		1	Kit-Deck Hardware REV2				
K7	9098982000		2	Kit-Splash Guard				
K8	9098983000		2	Kit-Driver				
K9	9098984000		2	Kit-Eccentric				

[] = Not Shown

* = Optional, Not Included

= Revised or new since last update

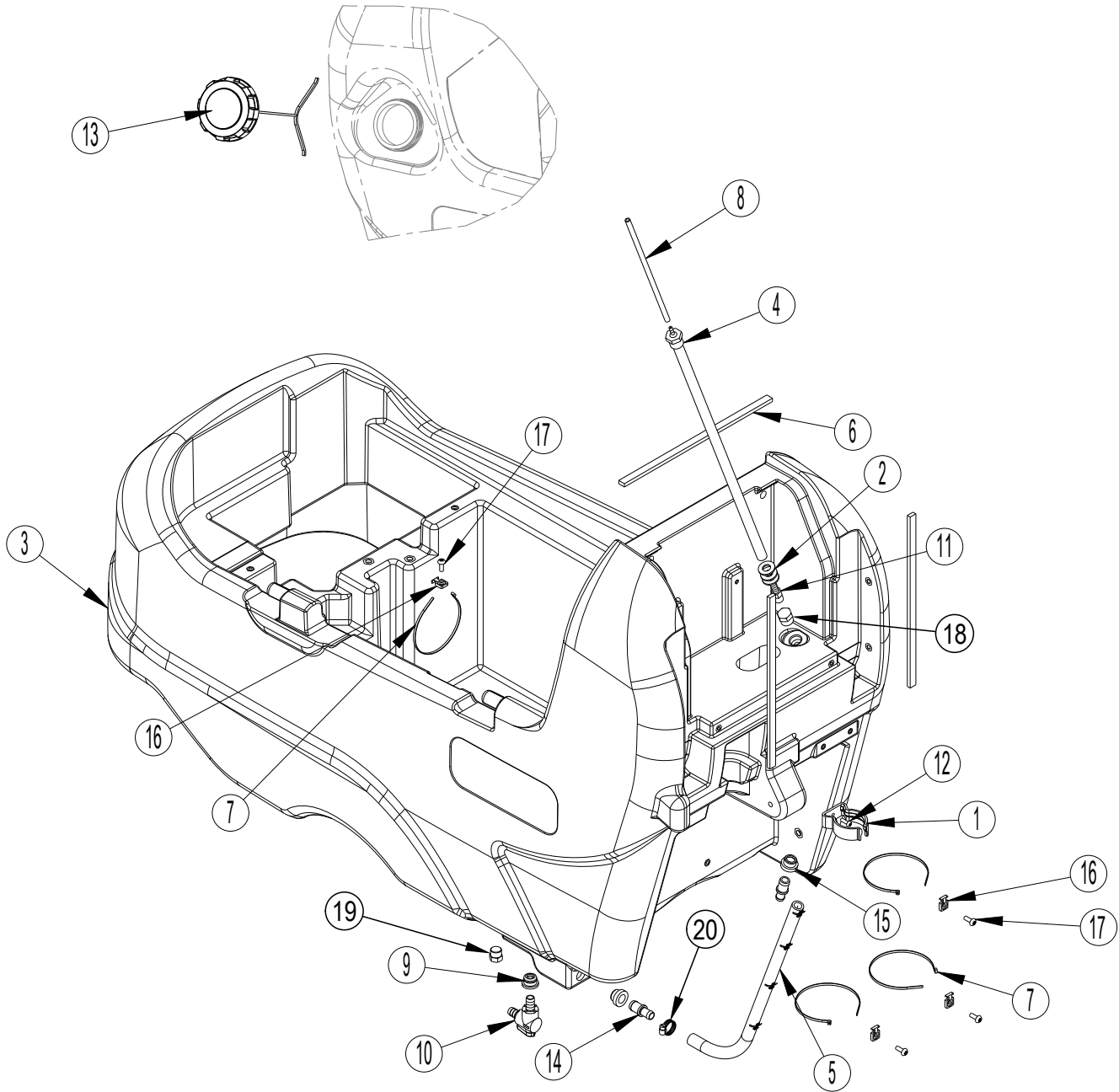
SOLUTION SYSTEM

10-7

26

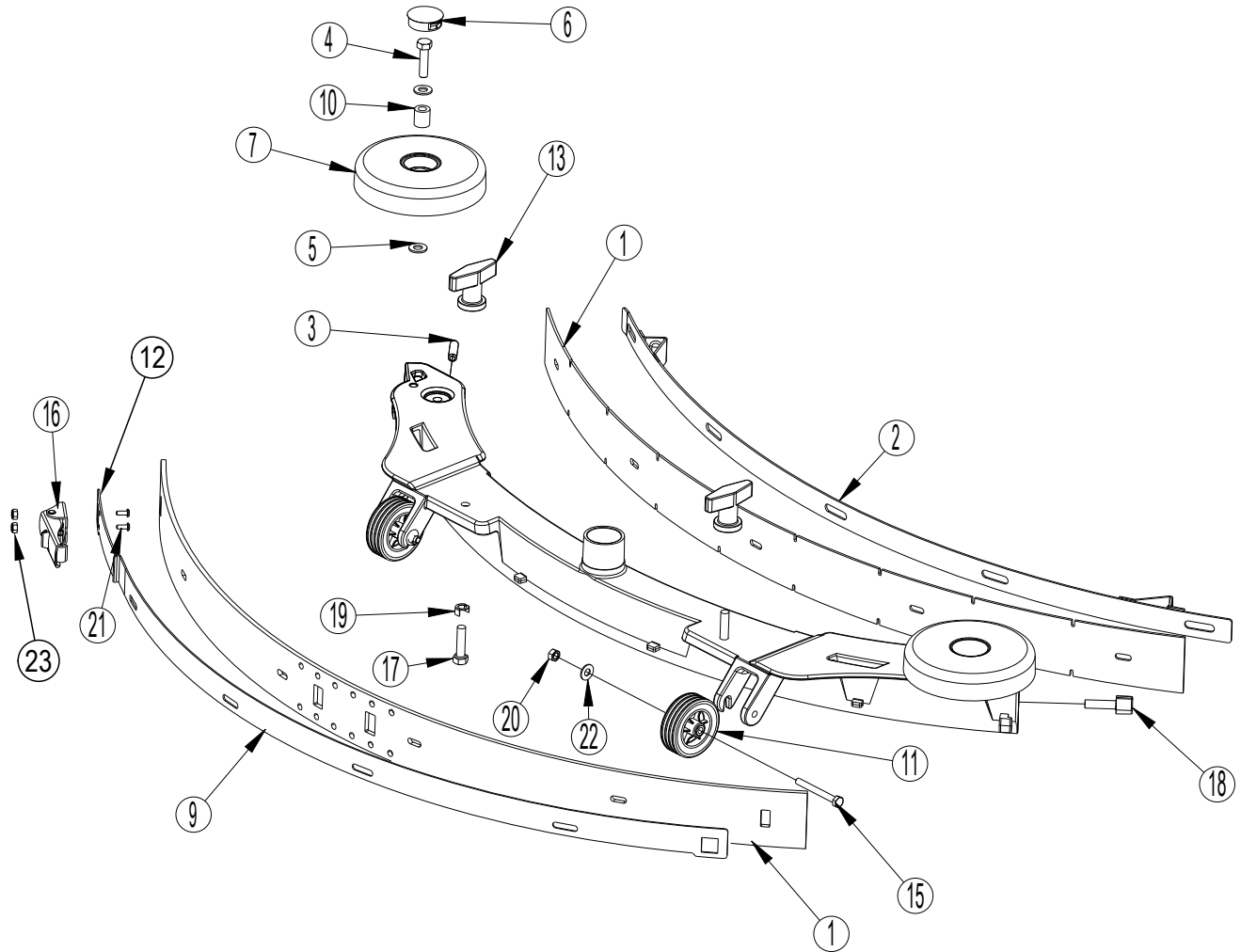
SC750, SC800, SC750 ST, SC800 ST

10-10



Item	Ref. No.	Qty	Description
1	L08812967	1	Clamp, Hose D.50
2	56002918	3	Wsh, Flt SAE SS 1/2 (SC750, SC800)
3	56112105	1	Solution Tank (SC750, SC750 ST models)
	56112101	1	Solution Tank (SC800, SC800 ST models)
4	56112145	1	Tube-Pressure Sensing (SC750, SC800)
5	56112347	1	Drain Hose (SC750, SC750 ST models)
	56112348	1	Drain Hose (SC800, SC800 ST models)
6	56419275	3	Gasket, .25 X .50
7	56478523	4	Tie, Cable
8	56601273	1	Hose (SC750, SC800)
9	9095286000	1	Gasket

Item	Ref. No.	Qty	Description
10	9097028000	1	Ball Valve 90°
11	56054691	1	Adaptor-Barb Male (SC750, SC800)
12	964004	1	Screw M5-.8 X 16mm Pn St Ph
13	56601599	1	Cap-Raw With Tether
14	56112346	2	Connector, Straight
15	31242A	2	Bushing
16	52548A	4	Tab, 1/4" Screw
17	80208A	4	Screw, M6 X 1.00 X 10mm Pan Head
18	56305547	1	Plug, 1/2 Hex Pipe (SC750 ST, SC800 ST)
19	56261421	1	Plug-Hex Pipe (SC800, SC800 ST models)
20	56244969	1	Clamp-Hose SAE 12



Item	Ref. No.	Qty	Description	Item	Ref. No.	Qty	Description
	56112216	1	Squeegee Assy (26" & 28" models)	17	962157	2	Screw, 5/16-18 X 1.25 Hex Hd
	56112217	1	Squeegee Assy (32" & 34" models)	18	54647A	1	Knob, M8 X 30
1	56112247	1	Blade Kit-Squeegee Gum (26" & 28" models) NOTE 1	19	60564A	2	Shim, Squeegee Knob
	56112250	1	Blade Kit-Squeegee Gum (32" & 34" models) NOTE 1	20	80199A	2	Nut, M6 -1.00 Nyloc S.S.
2	60466A	1	Strap-Squeegee Front (26" & 28" models)	21	56002909	2	Scr-Pan Phil SS 6-32 x .38
	60546A	1	Strap-Squeegee Front (32" & 34" models)	22	87026A	2	Washer, 1/4 Flat S.S.
3	88632A	1	Scr, Soc Setscrew, Set M8-1.25 X 30mm	23	56002907	2	Nut-Hex Nyl Loc SS 6-32
4	56002884	2	Scr- Hex Ss 5/16-18 X 1.25				Squeegee Blade Kits for 56112216
5	56002938	4	Wsh, Flt Sae Ss 5/16		56112247	1	Blade Kit-Squeegee Gum NOTE 1
6	56111444	2	Button Plug-1.25	*	56112248	1	Blade Kit-Squeegee Red Gum NOTE 1
7	56112108	2	Wheel	*	56112249	1	Blade Kit-Squeegee PU NOTE 1
9	56112213	1	Strap-Squeegee Rear (26" & 28" models)				Squeegee Blade Kits for 56112217
	56112214	1	Strap-Squeegee Rear (32" & 34" models)		56112250	1	Blade Kit-Squeegee Gum NOTE 1
10	56601499	2	Bushing, Nylon	*	56112251	1	Blade Kit-Squeegee Red Gum NOTE 1
11	9096505000	2	Wheel 90x20 With Bushing	*	56112252	1	Blade Kit-Squeegee PU NOTE 1
12	56112300	1	Rear Latch Strap				
13	56370711	2	Nut Thumb				
15	88629A	2	Screw, Hex Thd To Hd M6-1x55				
16	L08603664	1	Latch, Squeegee				

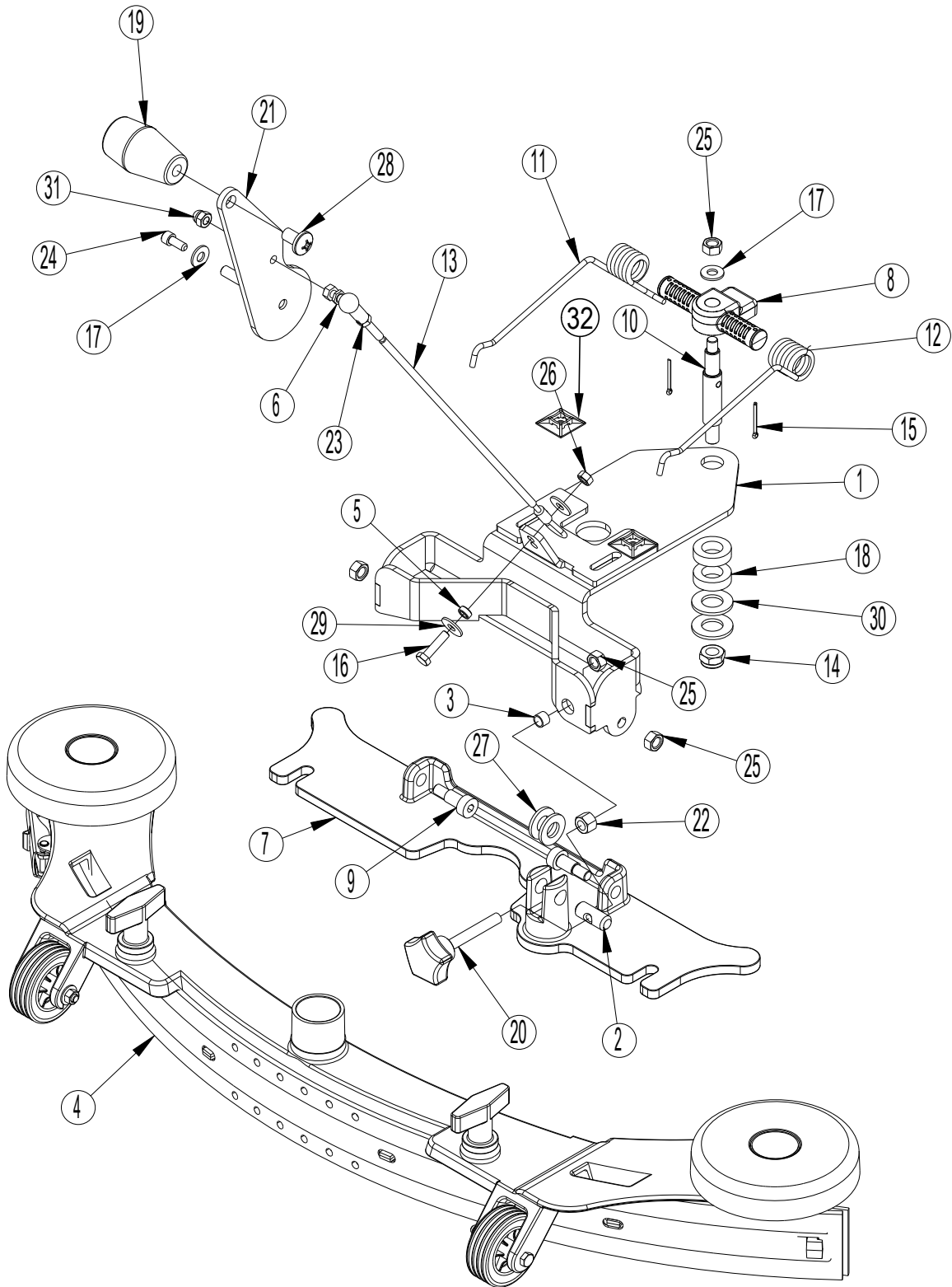
* = Optional, Not Included

NOTE 1: All squeegee blade kits include both front and rear squeegee blades.

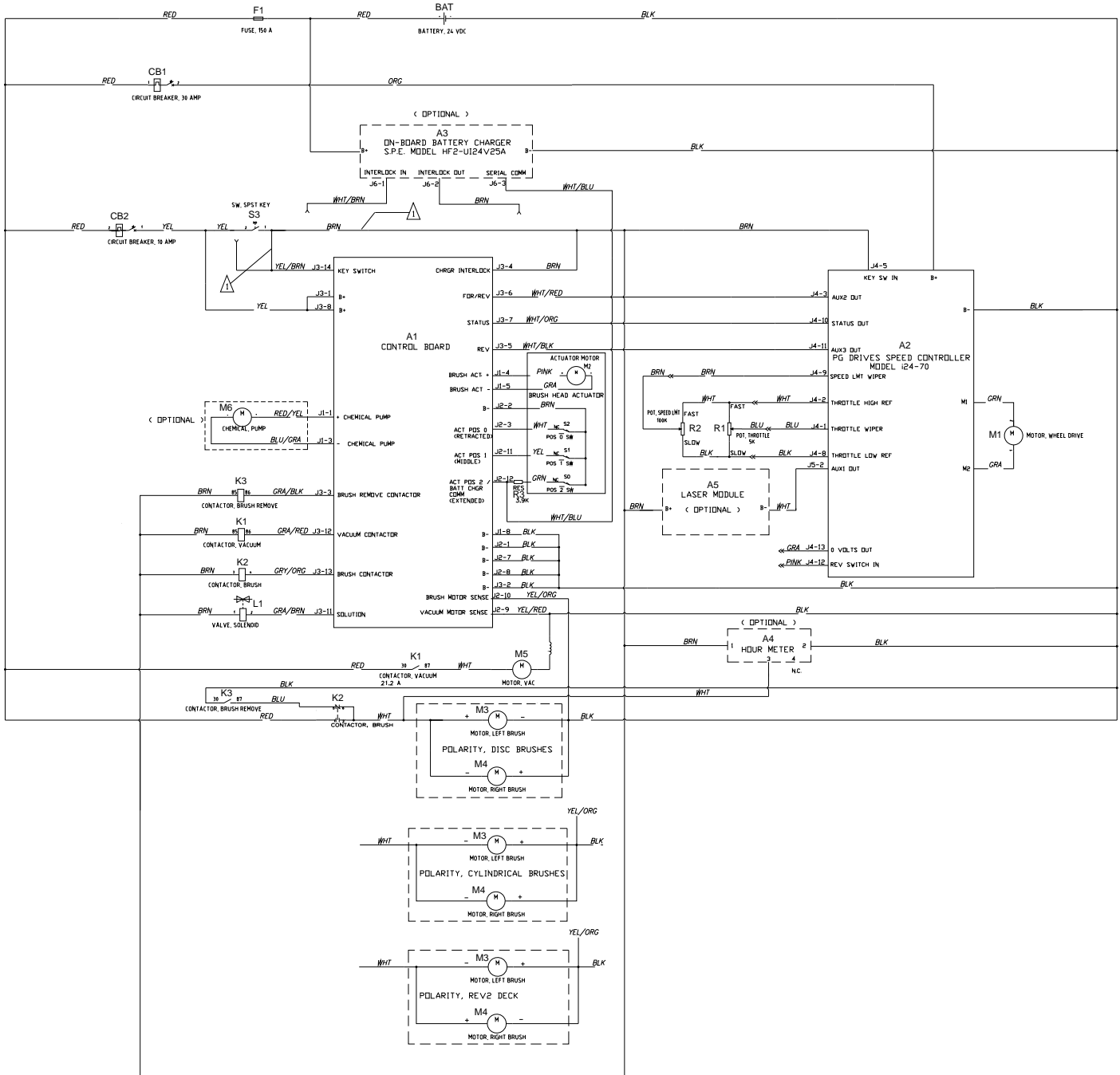
SQUEEGEE SYSTEM

28

SC750, SC800, SC750 ST, SC800 ST



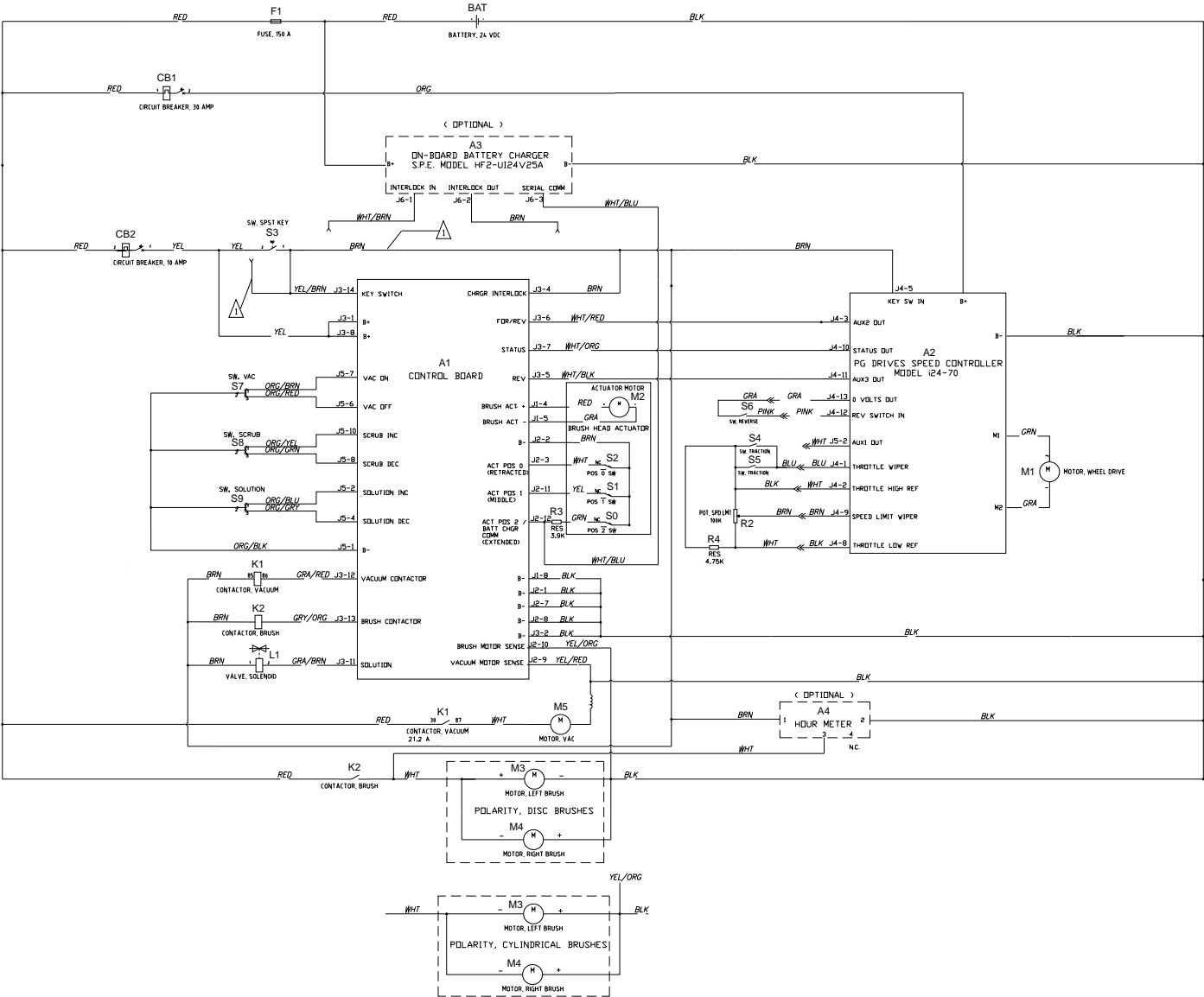
Item	Ref. No.	Qty	Description
1	61953A	1	Plate Squeegee Support
2	L08601509	1	Pivot Support
3	L08602422	1	Spacer
4	56112216	1	Squeegee Assy (26" & 28" models / Includes Gum Rubber Blades)
	56112217	1	Squeegee Assy (32" & 34" models / Includes Gum Rubber Blades)
5	1451252000	1	Spacer 6.5x10x4.5
6	1458479000	1	Joint, Ball M6
7	9096045000	1	Squeegee Support
8	9096052000	1	Squeegee Spring Support
9	9096495000	2	Shoulder Screw M10 X 16
10	9096497000	1	Shaft
11	9096537000	1	Push Squeegee Spring
12	9096538000	1	Push Squeegee Spring
13	9097366000	1	Cable, Squeegee Lifting
14	80223A	1	Nut, M10-1.5 Nylock
15	925044	2	Pin, Cotter-.094 X 1.00
16	964054	1	Screw M6-1 X 25mm Hex
17	980651	2	Washer, 5/16 Flat
18	38708A	2	Spacer
19	52557A	1	Knob, Lift
20	54699A	1	Knob, M8 X 55
21	61952A	1	Lever, Squeegee Lift
22	80163A	1	Nut M8-1.25 Hex
23	80171A	1	Nut, M6 Hex
24	80179A	1	Screw, M6 X 15
25	80198A	4	Nut, M8 -1.25 Nylock S.S.
26	80199A	1	Nut, M6 -1.00 Nylock S.S.
27	80424A	2	Washer Flat
28	85389A	1	Screw, 3/8-16 X 5/8
29	87007A	2	Washer Control Shaft
30	87613A	2	Washer Flat 1.22 X .64 X .10 Nylon
31	88640A	1	Nut, M6-1 Acorn
32	9096635000	2	Self-Adhesive Sideburns



NOTES:

- △ WHEN ON BOARD CHARGER IS USED, REMOVE BRN WIRE FROM KEY SW, CONNECT TO BRN WIRE FROM BATTERY CHARGER, & REPLACE WITH WHT/BRN WIRE FROM CHARGER. ALSO, MOVE YEL/BRN WIRE AT KEY SWITCH FROM BRN to YEL.

Item	Ref. No.	Qty	Description
A1	56112351	1	Kit AXP Control Board
A2	56112187	1	Speed Controller 70a 24v
A3	56112544	1	Battery Charger 24v 25a (Optional)
A4	56393718	1	Hour Meter (Optional)
A5	56112136	1	Laser Module (Optional)
BAT	NA		Battery-24VDC
F1	56412089	1	Fuse, 150 Amp
CB1	56315256	1	Circuit Breaker-30 Amp
CB2	56507644	1	Circuit Breaker-10 Amp
K1	41075A	1	Contacto-Vacuum
K2	56397088	1	Contacto-Brush
K3	41075A	1	Contacto-Brush Remove
L1	56112147	1	Solenoid-Solution
M1	56382670	1	Kit Transaxle Motor
M2	40280A	1	Motor-Actuator
M3	56112240	1	Motor Gearbox Assy (Disk)
	56112111	1	Motor-24 VDC 3/4HP (Cylindrical)
	56390072	1	Motor, 24VDC (REV)
M4	56112240	1	Motor Gearbox Assy (Disk)
	56112111	1	Motor-24 VDC 3/4HP (Cylindrical)
	56390072	1	Motor, 24VDC (REV)
M5	56112239	1	Motor-Vacuum
M6	56315241	1	Pump-Chemical (Optional)
R1	56397029	1	Potentiometer, 5K Ohm, Throttle
R2	56396197	1	Potentiometer-Speed Limit
R3	NA	1	Part of Main Wiring Harness
S0	NA	1	Part of M2
S1	NA	1	Part of M2
S2	NA	1	Part of M2
S3	56303553	1	Switch, Key



NOTES:

△ WHEN ON_BOARD CHARGER IS USED, REMOVE BRN WIRE FROM KEY SW, CONNECT TO BRN WIRE FROM BATTERY CHARGER & REPLACE WITH WHT/BRN WIRE FROM CHARGER. ALSO, DISCONNECT YEL/BRN WIRE AT KEY SWITCH FROM BRN WIRE & CONNECT TO YEL WIRE.

Item	Ref. No.	Qty	Description
A1	56112352	1	Kit ST Control Board
A2	56112241	1	Speed Controller 70a 24v
A3	56112544	1	Battery Charger 24v 25a (Optional)
A4	56393718	1	Hour Meter (Optional)
BAT	NA		Battery-24VDC
F1	56412089	1	Fuse, 150 Amp
CB1	56315256	1	Circuit Breaker-30 Amp
CB2	56507644	1	Circuit Breaker-10 Amp
K1	41075A	1	Contacto-Vacuum
K2	56412179	1	Contacto 24 VDC (Brush)
L1	56112147	1	Solenoid-Solution
M1	56382670	1	Kit Transaxle Motor
M2	40280A	1	Motor-Actuator
M3	56112240	1	Motor Gearbox Assy (Disk)
	56112111	1	Motor-24 VDC 3/4HP (Cylindrical)
M4	56112240	1	Motor Gearbox Assy (Disk)
	56112111	1	Motor-24 VDC 3/4HP (Cylindrical)
M5	56112239	1	Motor-Vacuum
R2	56315929	1	Potentiometer-Speed Limit
R3	NA	1	Part of Main Wiring Harness
R4	NA	1	Resistor-4.75K
S0	NA	1	Part of M2
S1	NA	1	Part of M2
S2	NA	1	Part of M2
S3	56303553	1	Switch, Key
S4	56315935	1	Switch-Traction
S5	56315935	1	Switch-Traction
S6	56315945	1	Switch-Reverse
S7	56112190	1	Switch-Vacuum
S8	56112190	1	Switch-Scrub
S9	56112190	1	Switch-Solution

OPTIONAL KITS & ACCESSORIES

10-7

34

SC750, SC800, SC750 ST, SC800 ST

12-1

Ref. No.	Qty	Description			
Kits					
* 56112547	1	Kit-Onboard Charger			
* 56112141	1	Kit-VacuumWand With Tote Bag			
* 56601527	1	Kit-Battery Watering			
* 56302198	1	Kit-Hour Meter			
* 56112221	1	Kit-Parking Brake			
* 56112138	1	Kit-Laser (SC750, SC800 only)			
* 56112140	1	Kit-Wet Floor Sign Holder			
* 56112312	1	Kit-Mop Holder			
* 56112265	1	Kit-Disk Deck Assy 26			
* 56112266	1	Kit-Disk Deck Assy 28			
* 56112267	1	Kit-Cylindrical Deck Assy 28			
* 56112280	1	Kit-Cylindrical Deck Assy 32			
* 56112279	1	Kit-Disk Deck Assy 34			
Squeegee Blade Kits for 56112216 (See Squeegee Blade Selector Guide)					
56112247	1	Blade Kit-Squeegee Gum NOTE 1			
* 56112248	1	Blade Kit-Squeegee Red Gum NOTE 1			
* 56112249	1	Blade Kit-Squeegee PU NOTE 1			
Squeegee Blade Kits for 56112217 (See Squeegee Blade Selector Guide)					
56112250	1	Blade Kit-Squeegee Gum NOTE 1			
* 56112251	1	Blade Kit-Squeegee Red Gum NOTE 1			
* 56112252	1	Blade Kit-Squeegee PU NOTE 1			
Accessories					
* 56112222	1	Utility Caddy			
* 56112255	1	Programmer With Cable			
* 56397453	6	Indicator-Battery Level (1 per battery)			
* 56044438	1	Literature pack			
26" Disk Scrub Brushes (See Brush Selector Guide)					
* 56505760	2	Short Trim Pad Holder			
* 56505195	2	Pad Retainer for 56505750			
* 56505765	2	ProLite			
* 56505764	2	Prolene			
* 56505766	2	Union Mix			
* 56505763	2	AgLite Grit 500			
* 56505767	2	MidGrit 240			
* 56505768	2	MidLite Grit 180			
* 56505762	2	Dyna Grit 80			
* 56505761	2	Magna Grit 46			
28" Disk Scrub Brushes (See Brush Selector Guide)					
* 56505800	2	Short Trim Pad Holder	* 56412191	2	Soft Nylon
* 56505195	2	Pad Retainer for 56505750	* 56412192	2	Hard Nylon
* 56505805	2	ProLite	* 56412046	2	Prolene
* 56505804	2	Prolene	* 56412193	2	MidLite Grit 180
* 56505806	2	Union Mix	* 56412194	2	Dyna Grit 80
* 56505803	2	AgLite Grit 500	* 56412195	2	Magna Grit 46
* 56505807	2	MidGrit 240	32" Cylindrical Scrub Brushes (See Brush Selector Guide)		
* 56505808	2	MidLite Grit 180	* 56407473	2	Soft Nylon
* 56505802	2	Dyna Grit 80	* 56407474	2	Hard Nylon
* 56505801	2	Magna Grit 46	* 56407475	2	Prolene
34" Disk Scrub Brushes (See Brush Selector Guide)					
* 56505780	2	Short Trim Pad Holder	* 56407476	2	MidLite Grit 180
* 56505195	2	Pad Retainer for 56505750	* 56407477	2	Dyna Grit 80
* 56505785	2	ProLite	* 56407478	2	Magna Grit 46
* 56505784	2	Prolene	REV Pads		
* 56505786	2	Union Mix	* 56112733	2	Pad Maroon Spp14
* 56505783	2	AgLite Grit 500	* 56112734	2	Pad Micro Fiber-14 In
* 56505787	2	MidGrit 240	* 56112746	2	Velcro 2 Sided 14
* 56505788	2	MidLite Grit 180			
* 56505782	2	Dyna Grit 80			
* 56505781	2	Magna Grit 46			

* = Optional, Not Included

NOTE 1: All squeegee blade kits include both front and rear squeegee blades.

We provide brushes and pad holders that will give you the best possible performance between machine and floor. Following are descriptions of the materials and their applications.

- ProLite:** Bristles are made from light-duty polypropylene for general scrubbing when you do not want to scratch or remove finish from the floor. Recommended for use in place of red pads.
- Prolene:** Polypropylene material for medium-duty scrubbing on concrete, terrazzo and vinyl floor tile. Recommended for use in place of green or blue pads.
- Union Mix:** Medium grade natural fibers for polishing finished floors with standard-speed equipment. Recommended for use in place of white pads.
- AgLite Grit 500:** For light scrubbing when used wet; buffing or polishing when used dry on urethane coated, sealed concrete or other resilient hard surface floors. Recommended for use in place of red or white pads.
- MidGrit 240:** For general purpose scrubbing when you need a lighter action for sealed or unsealed concrete, stone, terrazzo, quarry tile and other resilient hard floor surfaces. Recommended for use in place of green or blue pads.
- MidLite Grit 180:** For general purpose scrubbing of sealed or unsealed concrete, stone, terrazzo, quarry tile and other resilient hard floor surfaces. Recommended for use in place of green or blue pads.
- Dyna Grit 80:** For aggressive, heavy-duty scrubbing or stripping of floors. Recommended for use in place of brown pads.
- Magna Grit 46:** For extreme heavy-duty scrubbing or stripping of floors. This brush has extra large diameter silicon carbide grit impregnated synthetic bristles. Recommended for use in place of black pads.
- Short Trim Pad Holder:** Made with a structural foam block and center ring for correct pad centering. It has a "shower feed" design for getting solution to the floor.

26" BRUSHES

56505760 - Short Trim Pad Holder
 56505195 - Pad Retainer for 56505760
 56505765 - ProLite
 56505764 - Prolene
 56505766 - Union Mix
 56505763 - AgLite Grit 500
 56505767 - MidGrit 240
 56505768 - MidLite Grit 180
 56505762 - Dyna Grit 80
 56505761 - Magna Grit 46

28" BRUSHES

56505800 - Short Trim Pad Holder
 56505195 - Pad Retainer for 56505800
 56505805 - ProLite
 56505804 - Prolene
 56505806 - Union Mix
 56505803 - AgLite Grit 500
 56505807 - MidGrit 240
 56505808 - MidLite Grit 180
 56505802 - Dyna Grit 80
 56505801 - Magna Grit 46

34" BRUSHES

56505780 - Short Trim Pad Holder
 56505195 - Pad Retainer for 56505800
 56505785 - ProLite
 56505784 - Prolene
 56505786 - Union Mix
 56505783 - AgLite Grit 500
 56505787 - MidGrit 240
 56505788 - MidLite Grit 180
 56505782 - Dyna Grit 80
 56505781 - Magna Grit 46

DISC BRUSH APPLICATION GUIDE (SUGGESTION ONLY)

	46	80	180	240	500			Union
Application	Grit	Grit	Grit	Grit	Grit	Prolene	Prolite	Mix
Stripping:								
Concrete	X	X						
Terrazzo	X	X						
Ceramic/Quarry tile		X						
Vinyl tile		X						
General Scrubbing:								
Concrete	X	X	X	X		X		
Terrazzo			X	X	X	X		
Ceramic/Quarry tile			X	X	X	X		
Marble					X		X	
Vinyl tile			X		X	X		
Raised-rubber tile					X		X	
Polishing:								
Raised Disc Tile								X
Marble								X
Vinyl tile								X

We provide brushes and pad holders that will give you the best possible performance between machine and floor. Following are descriptions of the materials and their applications.

- Soft Nylon: Least aggressive brush available. Used on soft-finish floors where a more aggressive brush would leave scratch marks, or in applications requiring very light cleaning.
- Stiff Nylon: Cleaning action similar to polypropylene. More durable and wear-resistant than polypropylene.
- Prolene: Low cost, yet effective in cleaning many common floor surfaces.
- MidLite Grit 180: Least aggressive grit brush. Used for daily cleaning of hard-finished floors.
- Dyna Grit 80: Medium aggressive grit brush. Good all-around brush for medium to heavy buildup removal. Can also be used for general stripping operations.
- Magna Grit 46: Most aggressive grit brush. Used primarily to clean heavy buildup on concrete floors in factories, or for heavy stripping of finish.

28" BRUSHES

- 56412191 - Soft Nylon
- 56412192 - Hard Nylon
- 56412046 - Prolene
- 56412193 - MidLite Grit 180
- 56412194 - Dyna Grit 80
- 56412195 - Magna Grit 46

34" BRUSHES

- 56407473 - Soft Nylon
- 56407474 - Hard Nylon
- 56407475 - Prolene
- 56407476 - MidLite Grit 180
- 56407477 - Dyna Grit 80
- 56407478 - Magna Grit 46

CYLINDRICAL BRUSH APPLICATION GUIDE (SUGGESTION ONLY)

Application	46 Grit	80 Grit	180 Grit	Polypropylene	Stiff Nylon	Soft Nylon
Stripping:						
Concrete	X	X				
Terrazzo	X	X				
Ceramic/Quarry tile		X				
Vinyl tile		X				
General Scrubbing:						
Concrete	X	X	X	X	X	
Terrazzo			X	X	X	X
Ceramic/Quarry tile			X	X	X	X
Marble			X		X	X
Vinyl tile			X	X	X	X
Raised-rubber tile			X			X

Gum Rubber: Provides superior wiping action on tile, terrazzo, and polished floors.

Red Gum Rubber: Provides longest life on finished or unfinished concrete floors.

Polyurethane: Oil resistance provides superior life in applications with oily floors.

SQUEEGEE BLADE APPLICATION GUIDE(SUGGESTION ONLY)

Performance Traits	Gum Rubber (Natural Rubber)	Red Gum Rubber (Natural Rubber)	Polyurethane/ Pentathane
Resilience	X		X
Tear Strength	X		X
Abrasion Resistance	X	X	X
Wear Resistance		X	X
Low Temp Flexibility	X	X	
High Temp Flexibility	X		X
Ozone Resistance			
Chemical Resistance			X
Applications			
Oil Resistant Applications			X
General Purpose	X	X	X
Hot Water Applications		X	X
Chemical Applications			X
Color	Tan	Red	Translucent



Nilfisk-Advance Equipamentos de Limpeza Ltda.
Av. Dep. Emílio Carlos, 2.499 - Bairro do Limão - 02721-200
São Paulo - SP - Brasil
www.nilfisk-advance.ind.br
www.plataforma.ind.br
Tel.: (11) 3959-0300
Fax: (11) 3959-0306
©2012 Nilfisk-Advance, Inc.



14600 21st Avenue North
Plymouth, MN 55447-3408
www.advance-us.com
Phone: 800-989-2235
Fax: 800-989-6566
©2012 Nilfisk-Advance, Inc.

A Nilfisk-Advance Brand