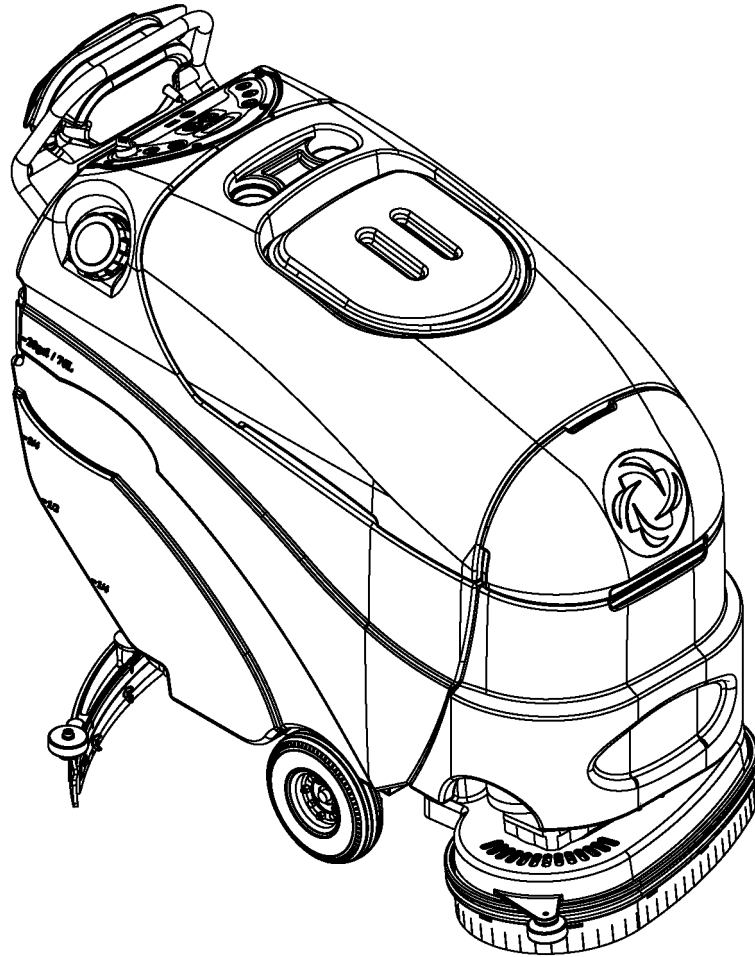


# Convertamatic™ 24, 26, 28, 32

---

## BA 625, 725, 825

---



---

### Parts List

**Advance Models: 56315000(24D-C), 56315001(26D), 56315002(28D), 56315003(24C-C), 56315004(28D-C), 56315005(28C-C), 56315006(X24D-C), 56315007(X24C-C), 56315008(26D-C), 56315009(X26D-C), 56315010(26C-C), 56315011(X26C-C), 56315012(X28D-C), 56315013(X28C-C), 56315804(32D-C) 56315805(X32D-C)**  
**Nilfisk Models: 56315800(625), 56315801(725), 56315802(725C), 56315803(825)**

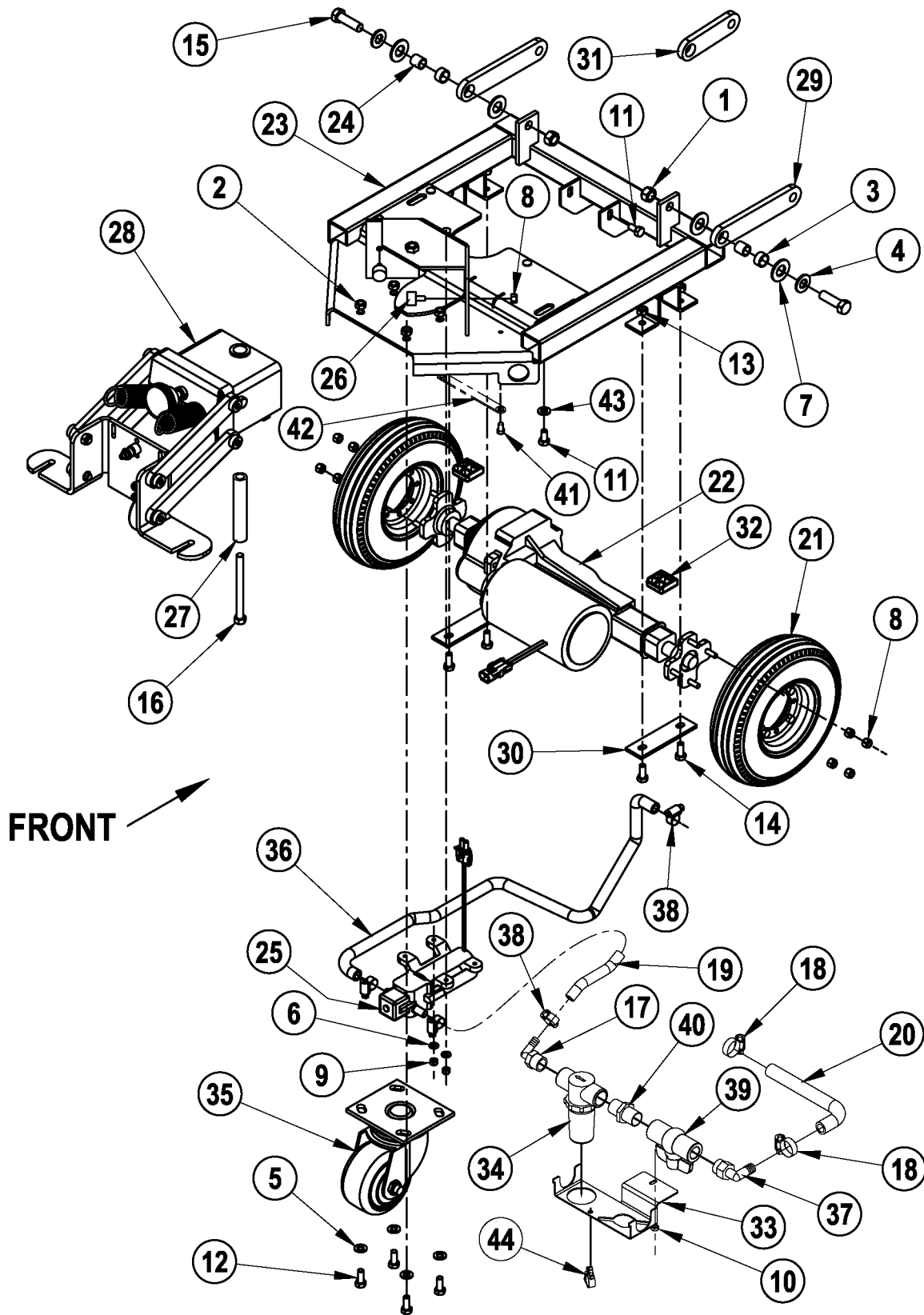


DESCRIPTION	PLAN
Chassis System .....	E-18.3.1-3
Chassis System (squeegee linkage assy before SN1915725).....	E-18.3.1-5
Chassis System (squeegee linkage assy after SN1915724).....	E-18.3.1-7
Decal System.....	E-18.3.1-9
Recovery System.....	E-18.3.1-11
Scrub System-Disk (24", 26", 28") .....	E-18.3.1-13
Scrub System-Disk (32").....	E-18.3.1-15
Scrub System-Cylindrical.....	E-18.3.1-17
Solution System / Electrical-1 .....	E-18.3.1-19
Solution System / Electrical-2.....	E-18.3.1-21
Chemical Assembly (AXP Models Only).....	E-18.3.1-23
Paddle Assembly .....	E-18.3.1-25
Squeegee Assembly .....	E-18.3.1-27
Wiring Diagram .....	E-18.3.1-29
Optional Kits & Accessories .....	E-18.3.1-30
Brush Selector Guide-Disk .....	E-18.3.1-31
Brush Selector Guide-Cylindrical .....	E-18.3.1-32

#### WHEN ORDERING PARTS

- \* Use the 8 digit numbers from the "Ref. No." columns in this parts list.
- \* Specify the model and serial number of the machine.
- \* Use the space below to record the model and serial number for future reference.

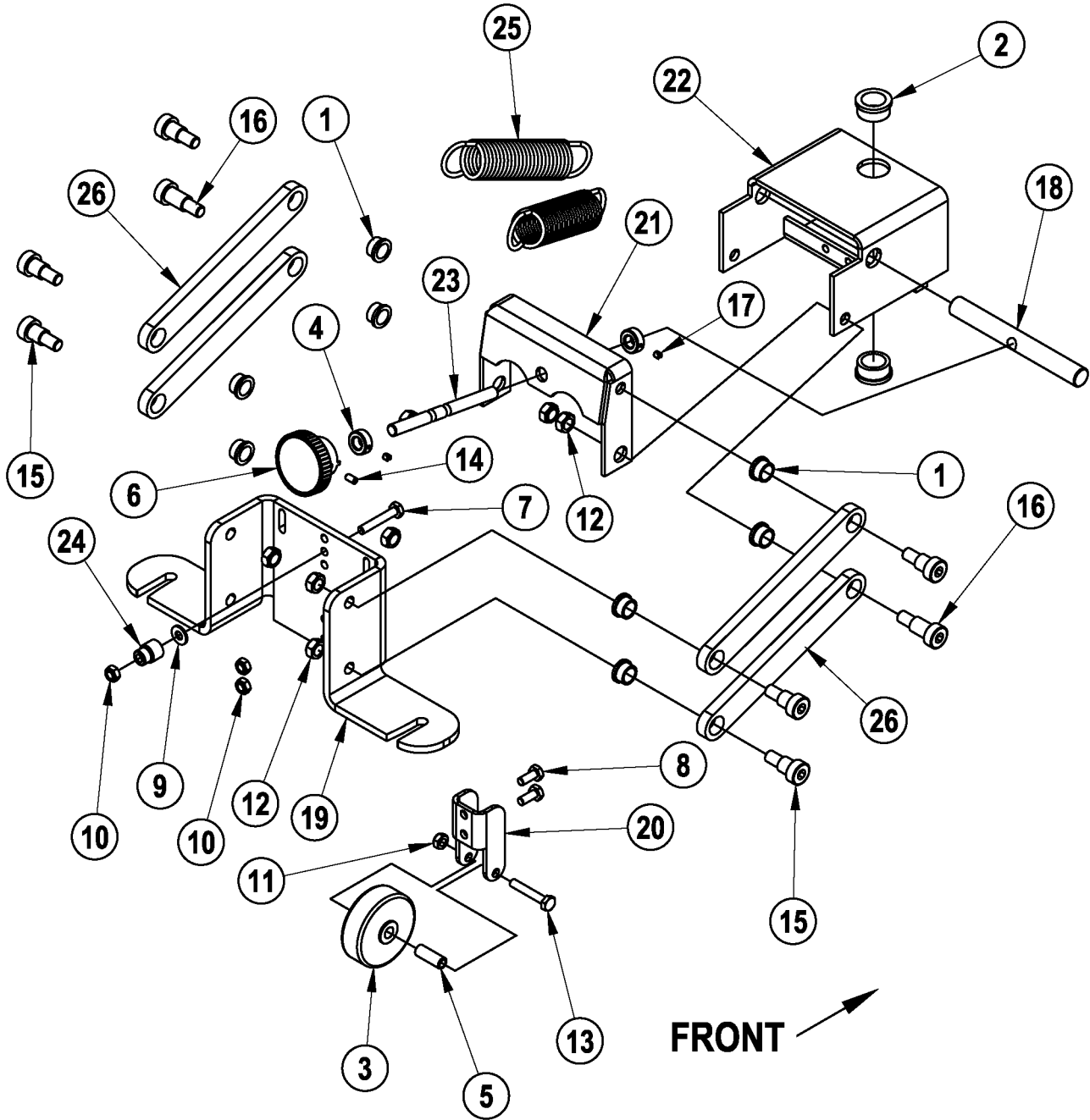
Model \_\_\_\_\_ Serial No. \_\_\_\_\_



Item	Ref. No.	Qty	Description
1	56003312	2	Nut, Hex Nyl Loc M12-1.75
2	56003389	4	Nut, Hex Nyl Loc M8-1.25
3	56370878	2	Bearing, Sleeve
4	56001879	2	Wsh, Flt SAE 1/2
5	56001939	4	Wsh, Flt SAE 5/16
6	56001954	2	Wsh, Flt SAE #10
7	56002022	4	Wsh, Flt SAE 5/8
8	56002708	10	Nut, Hex Nyl Loc 1/4-20
9	56002768	2	Nut, Hex Nyl Loc 10-24
10	56002832	1	Nut, Hex Nyl Loc-Thin 10-24
11	56002988	3	Scr, Hex Hd SS 5/16-18x.62
12	56003179	4	Scr, Hex Thd To Hd M8-1.25x20mm
13	56003405	4	Nut, Hex Nyl Loc SS M8x1.25
14	56003435	4	Scr, Hex Hd SS 8-1.25x20mm
15	56003637	2	Scr, Hex M12-1.75x40mm
16	56009241	1	Scr, Hex Hd 3/8-16x4.25
17	56900033	1	Barb, 90 Elbow 3/8 X 1/2 Npt
18	56219932	2	Clamp, Hose SAE #6
19	56244991	1	Hose, PVC .375
20	56262180	1	Hose, Spiral .500
21	56315115	2	Wheel, Drive <b>TSBUS2006-941</b>
22	56315062	1	Transaxle, 24V <b>(M1)</b>
*	56315377	1	Motor
*	56315378	4	Carbon Brush
*	56315379	2	Neoprene Mounting Sleeve
23	56315076	1	Weldment, Chassis <b>TSBUS2005-895</b>
24	56315080	2	Bushing
25	56315108	1	Pump, 24VDC <b>(M7)</b>
26	56315111	2	Cylindrical Mount
27	56315154	1	Bushing, Spacer
28	56315165	1	Assembly, Squeegee Linkage
29	56315179	2	Linkage Arm
30	56315234	2	Plate
31	56315239	1	Linkage Arm <b>NOTE #1 / TSBUS2007-957</b>
32	56315258	2	Shim
33	56315260	1	Bracket, Filter Mount
34	56315296	1	Solution Filter
35	56365555	1	Caster Swivel 4.0x2.0
36	56391802	1	Hose, Spiral .375
37	56409152	1	Barb, 90 Elbow 1/2 X 1/2npt
38	56756364	4	Clamp, Hose SAE #4
39	56315607	1	Ball Valve
40	56412182	1	Nipple, Hex 3/4-14
41	56009051	1	Scr, Pan Phil Thd Form 8-32 x .38
42	56467544	1	Chain
43	56002220	2	Wsh, Flt STD 5/16
44	56900756	1	Clip, Conduit

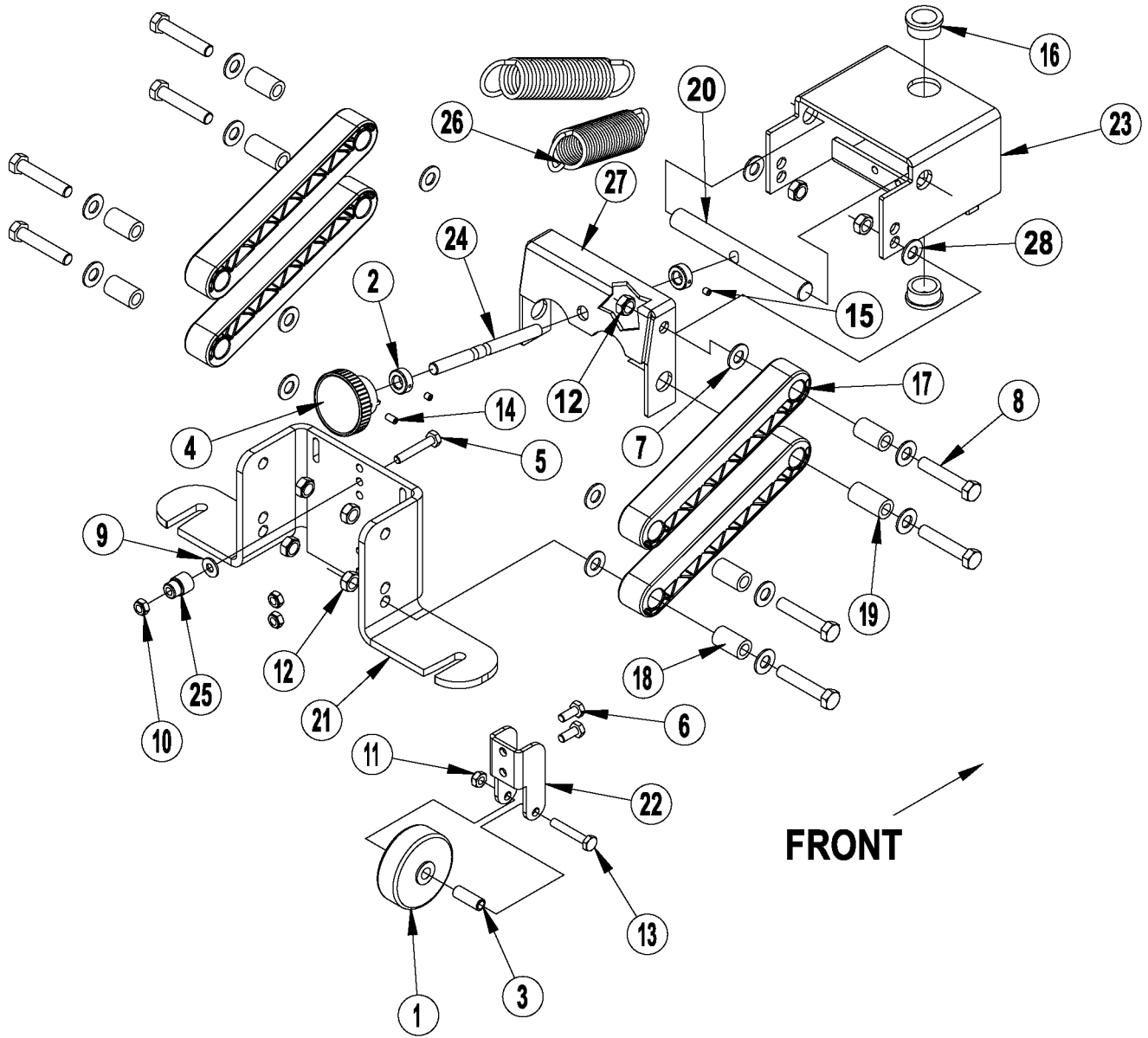
\* = Not Shown

**NOTE #1:** Linkage Arm 56315239 is no longer used as of TSBUS2007-957.



04-11	<b>CHASSIS SYSTEM (squeegee linkage assy before SN1915725)</b>	<b>BOOK E</b>		
06-4	<b>Convertamatic™ 24, 26, 28, 32 / BA 625, 725, 825</b>	<b>E</b>	<b>18.3.1</b>	<b>5</b>

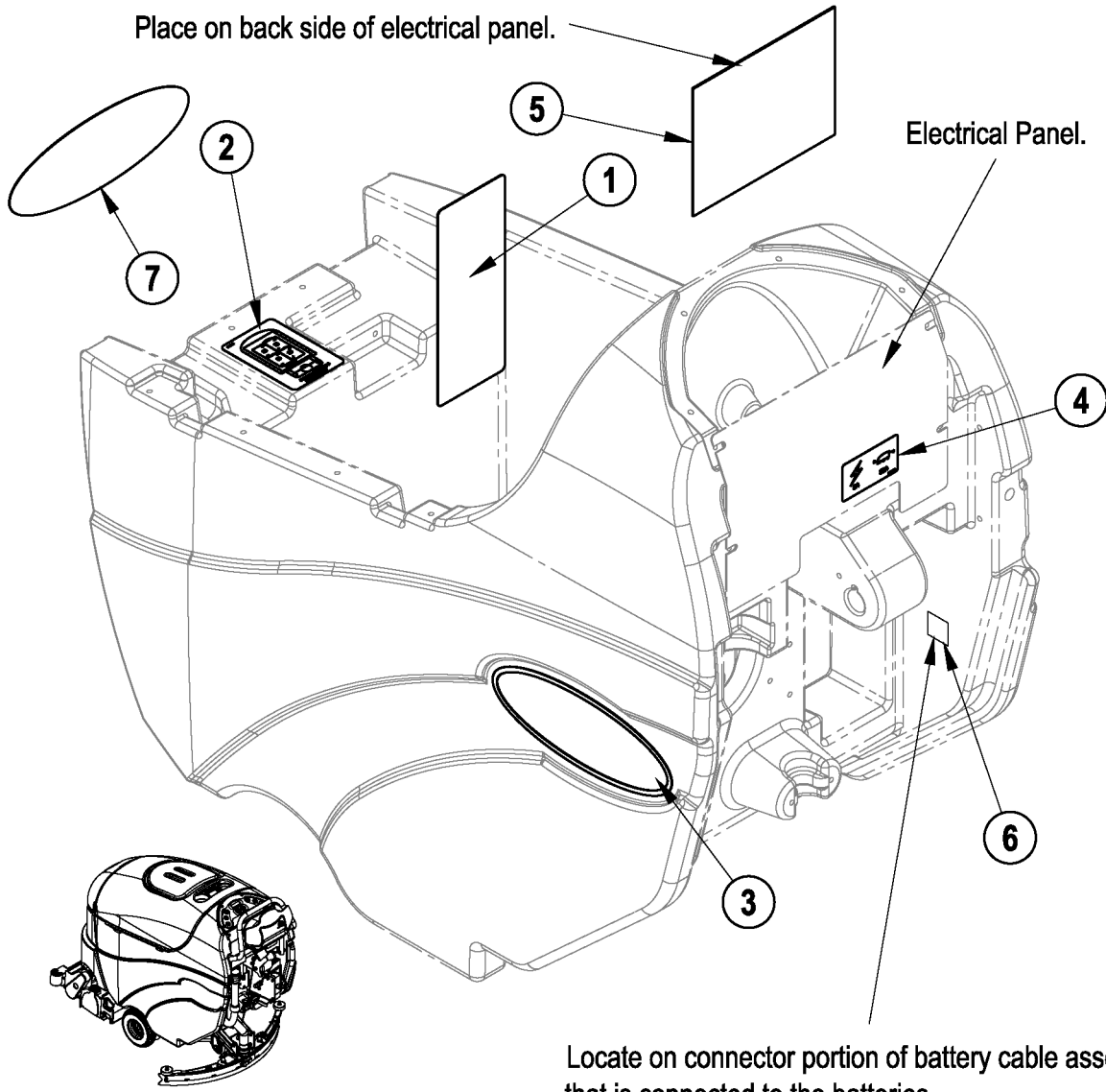
Item	Ref. No.	Qty	Description
	56315165	1	Squeegee Linkage Assembly
1	56185264	8	Bearing, Flange
2	56250414	2	Bearing, Flange
3	56324350	1	Wheel
4	56331076	2	Collar
5	56471220	1	Bushing
6	56475480	1	Knob
7	56001833	1	Scr, Hex Hd 1/4-20x1.50
8	56001836	2	Scr, Hex Hd 1/4-20x.62
9	56002098	1	Wsh, Flt SAE 1/4
10	56002840	3	Nut, Hex Nyl Loc-Thin 1/4-20
11	56002850	1	Nut, Hex Nyl Loc-Thin SS 1/4-20
12	56002852	8	Nut, Hex Nyl Loc-Thin SS 3/8-16
13	56002901	1	Scr, Hex Hd SS 1/4-20x1.50
14	56003123	1	Scr, Soc Set 10-24x.38
15	56003682	6	Scr, Soc Shd .50 X .50 X 3/8-16
16	56003692	2	Scr, Soc Shd .50 X .75 X 3/8-16
17	56009084	2	Scr, Soc Set Loc 10-24x.19
18	56315082	1	Pin
19	56315151	1	Bracket, Squeegee Mount
20	56315153	1	Bracket, Wheel
21	56315180	1	Bracket, Squeegee Level
22	56315196	1	Weldment, Squeegee
23	56315240	1	Rod, Adjustment
24	56315245	1	Bushing, Squeegee Cable
25	56315295	2	Spring, Extension
26	56315338	4	Linkage Arm





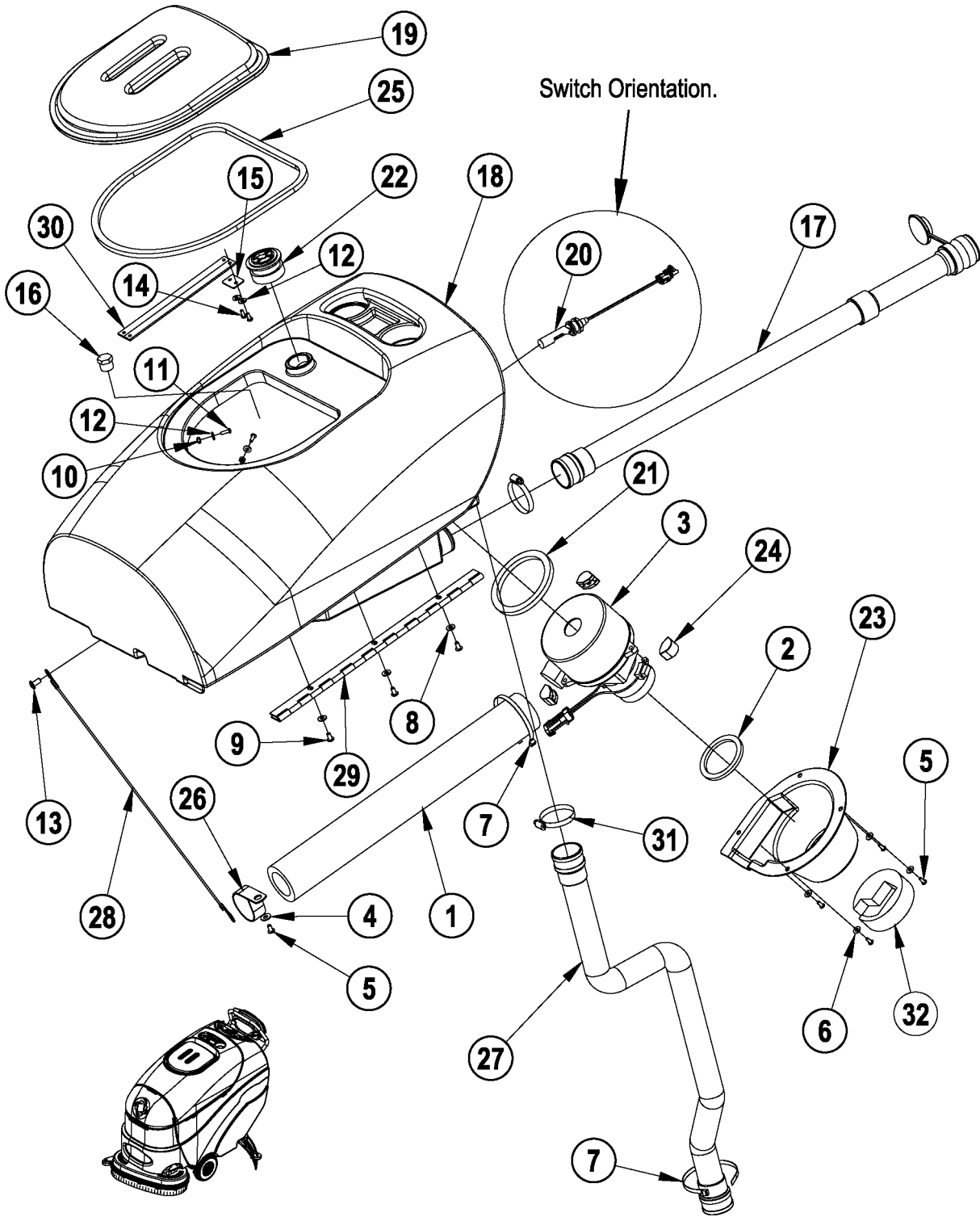
04-11	<b>CHASSIS SYSTEM (squeegee linkage assy after SN1915724)</b>	<b>BOOK E</b>		
06-4	<b>Convertamatic™ 24, 26, 28, 32 / BA 625, 725, 825</b>	<b>E</b>	<b>18.3.1</b>	<b>7</b>

Item	Ref. No.	Qty	Description
	56315165	1	Squeegee Linkage Assembly
1	56324350	1	Wheel
2	56331076	2	Collar
3	56315580	1	Bushing
4	56475480	1	Knob
5	56001833	1	Scr, Hex 1/4-20 X 1.50
6	56001836	2	Scr, Hex 1/4-20 X .62
7	56002063	14	Wsh, Flt SAE 3/8
8	56002091	8	Scr, Hex 3/8-16 X 2.00
9	56002098	1	Wsh, Flt SAE 1/4
10	56002840	3	Nut, Hex Nyl Loc-Thin 1/4-20
11	56002850	1	Nut, Hex Nyl Loc-Thin Ss 1/4-20
12	56002852	8	Nut, Hex Nyl Loc-Thin Ss 3/8-16
13	56002901	1	Scr, Hex SS 1/4-20 X 1.50
14	56003123	1	Scr, Soc Set 10-2 4x .38
15	56009084	2	Scr, Soc Set Loc 10-24 X .19
16	56250414	2	Bearing, Flange
17	56315048	4	Linkage Arm, Molded
18	56315067	6	Spacer, Phenolic
19	56315068	2	Spacer, Phenolic
20	56315082	1	Pin
21	56315151	1	Bracket, Squeegee Mount
22	56315153	1	Bracket, Wheel
23	56315196	1	Weldment, Squeegee
24	56315240	1	Rod, Adjustment
25	56315245	1	Bushing, Squeegee Cable
26	56315295	2	Spring, Extension
27	56315713	1	Bracket, Squeegee Level
28	56002940	2	Wsh, Flt SAE SS 5/8



04-11	<b>DECAL SYSTEM</b>	<b>BOOK E</b>		
07-2	<b>Convertamatic™ 24, 26, 28, 32 / BA 625, 725, 825</b>	<b>E</b>	<b>18.3.1</b>	<b>9</b>

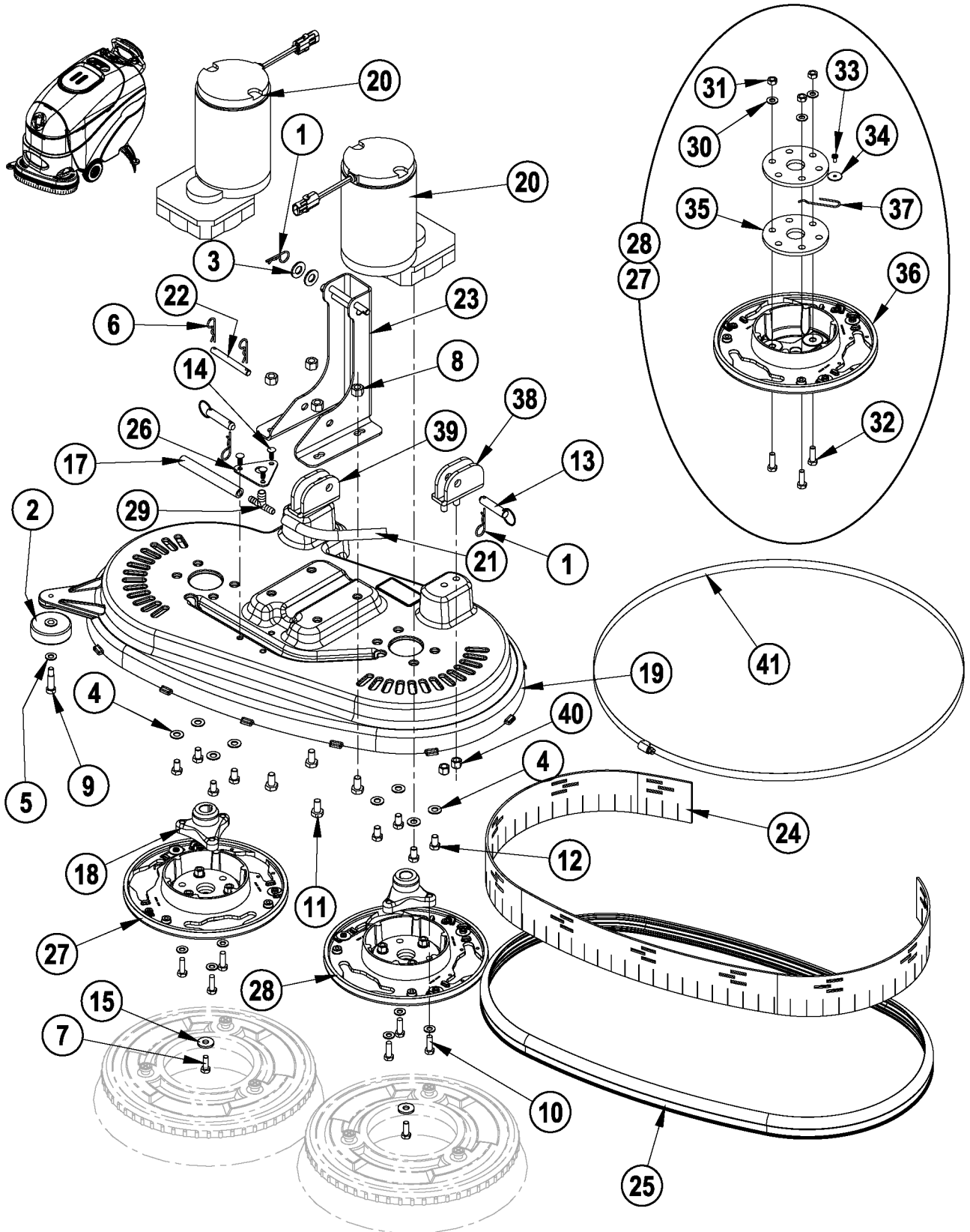
Item	Ref. No.	Qty	Description
1	56014601	1	Decal, Caution
2	56016688	1	Decal, Battery Wiring
3	56016689	2	Decal, Convertamatic <b>Advance only</b>
	56315706	2	Decal, Convertamatic AXP <b>Advance AXP models only</b>
	56315830	2	Decal, BA625 <b>Nilfisk only</b>
	56315831	2	Decal, BA725 <b>Nilfisk only</b>
	56315832	2	Decal, BA825 <b>Nilfisk only</b>
4	56016690	1	Decal, Circuit Breaker
5	56016691	1	Decal, Ladder Diagram
6	56054192	1	Decal, Charger
7	56016349	1	Decal, Advance <b>Advance only</b>
	56317130	1	Decal, Nilfisk <b>Nilfisk only</b>



04-11	<b>RECOVERY SYSTEM</b>	<b>BOOK E</b>		
07-2	<b>Convertamatic™ 24, 26, 28, 32 / BA 625, 725, 825</b>	<b>E</b>	<b>18.3.1</b>	<b>11</b>

Item	Ref. No.	Qty	Description
1	56315375	1	Foam, Acoustical <b>Advance only</b>
	56315847	1	Foam Tube Assembly <b>Nilfisk only</b>
2	56412154	1	Gasket, Vacuum Duct
3	56412218	1	Motor, Vac 24vdc <b>(M4) Advance only</b>
	56412300	1	Motor, Vac 24vdc W/Filter <b>(M4) Nilfisk only</b>
*	56397098	1	Carbon Brush set of 2 <b>(for 56412218 &amp; 56412300)</b>
4	56001906	1	Wsh, Flt STD 1/4
5	56001993	5	Scr, Pan Phil 10-24x.50
6	56002053	4	Wsh, Flt STD #10
7	56477613	2	Tie, Cable
8	56002098	3	Wsh, Flt SAE 1/4
9	56002145	3	Scr, Pan Phil 1/4-20x.50
10	56002849	2	Nut, Hex Nyl Loc-Thin SS 10-24
11	56002896	2	Scr, Pan Phil SS 10-24x.62
12	56002919	4	Wsh, Flt STD SS #10
13	56003003	1	Scr, Pan Phil 5/16-18x.62
14	56009005	2	Scr, Pan Phil SS Type B 10-16 x .75
15	56315346	1	Plate
16	56305464	1	Plug, 3/4 Hex Pipe
17	56397142	1	Drain Hose
18	56315088	1	Tank, Recovery
19	56315093	1	Cover, Recovery Tank
20	56315096	1	Switch, Electromagnetic <b>(S4)</b>
21	56315098	1	Gasket
22	56315099	1	Screen, Fan Inlet
23	56315102	1	Shroud, Vac Motor
24	56315141	3	Mount, Vibration
25	56315220	1	Gasket, Recovery Lid
26	56315257	1	Clamp, P
27	56315268	1	Vac Hose Assy.
28	56315272	1	Cable Assy
29	56315293	1	Hinge
30	56315303	2	Retaining, Strap
31	56440213	2	Clamp, Hose SAE #32
32	56315840	1	Duct, Vac Inlet <b>Nilfisk only</b>

\* = Not Shown



04-11	<b>SCRUB SYSTEM - DISK (24", 26", 28")</b>	<b>BOOK E</b>		
07-2	<b>Convertamatic™ 24, 26, 28, 32 / BA 625, 725, 825</b>	<b>E</b>	<b>18.3.1</b>	<b>13</b>

Item	Ref. No.	Qty	Description	Item	Ref. No.	Qty	Description
1	56002959	3	Pin, Cotter Hair <b>NOTE #3 / TSBUS2007-957</b>	23	56315718	1	Weld't, Deck Actuator (24" / 26") <b>NOTE #2</b>
2	56324350	1	Wheel				<b>NOTE #3 / TSBUS2007-957</b>
3	56001879	2	Wsh, Flt SAE 1/2 <b>NOTE #3 / TSBUS2007-957</b>	56315719	56315719	1	Weld't, Deck Actuator (28") <b>NOTE #2</b>
4	56002910	8	Wsh, Flt SAE SS 3/8				<b>NOTE #3 / TSBUS2007-957</b>
5	56002938	7	Wsh, Flt SAE SS 5/16	24	56315275	1	Skirt, Rubber (26")
6	56003120	2	Pin, Cotter Hair .0915 X .375		56315274	1	Skirt, Rubber (24" & 28")
7	56003335	2	Scr Hex Loc SS 5/16-18 X .88	25	56315754	1	Bumper, Extruded (28") <b>NOTE #4</b>
8	56003438	4	Nut, Hex Nyl Loc SS M10x1.5		56315753	1	Bumper, Extruded (26") <b>NOTE #4</b>
9	56003472	1	Scr, Soc Shd .38 X 1.00 X 5/16-18		56315752	1	Bumper, Extruded (24") <b>NOTE #4</b>
10	56003477	6	Scr, Hex Loc SS M8-1x25mm	26	56315339	1	Bracket
11	56003533	4	Scr, Hex Hd SS M10-1.5x20mm	27	56396080	1	Lug, Counterclockwise (30-37)
12	56003674	8	Scr Hex Loc SS 3/8-24 X .62	28	56396081	1	Lug, Clockwise (30-37)
13	56003679	2	Pin, Ring .50 X 1.63	29	56397300	1	Tee, Barb <b>NOTE #1</b>
14	56003693	3	Rivet, Nylon Tree Push-In (.218)	30	56002938	3	Wsh, Flt SAE SS 5/16
15	56009107	2	Wsh, Flt SS .378 X 1.000 X .120	31	56003405	3	Nut, Hex Nyl Loc SS M8-1.25
17	56257534	1	Hose, Pvc .375	32	56003436	3	Scr, Hex Hd SS M8-1.25 x 25mm
18	56314031	2	Hub, Drive	33	56009030	1	Scr, Pan Phil Thd Form 10-24 x .38
19	56315588	1	Scrub Deck, Disc, Cast, 28 <b>NOTE #2</b>	34	56009096	1	Wsh, Flt .193 x .875 x .060
	56315587	1	Scrub Deck, Disc, Cast, 26 <b>NOTE #2</b>	35	56407053	2	Thermoid Disk
	56315586	1	Scrub Deck, Disc, Cast, 24 <b>NOTE #2</b>	36	56314030	1	Brush Holder
20	56315056	2	Asm, Motor And Gear Unit, .42hp (M2 / M3)	37	56397081	1	Spring Retainer
*	56315376	4	Carbon Brush	38	56315389	1	Weld't, Deck Mount Brkt, LHS <b>NOTE #2</b>
*	56397138	4	Brush Spring	39	56315373	1	Weld't, Deck Mount Brkt, RHS <b>NOTE #2</b>
21	56315060	1	Hose, Pvc .375	40	56002769	4	Nut, Hex Nyl Loc 3/8-16 <b>NOTE #2</b>
22	56315161	1	Pin	41	56315759	1	Band Clamp (28")
					56315742	1	Band Clamp (24" & 26")
				*	56315838	2	Harness, Filter Nilfisk only
				*	56413883	2	Ferrite Bead Nilfisk only

\* = Not Shown

**NOTE #1:** The previous solution hose design which consisted of a Reducer (56418669), Hose Clamps (56219932) and a smaller 3/8" diameter Hose (56456830) to the scrub deck has been replaced in production with a single 1/2" diameter hose (56264318). If ordering Tee 56397300 for a machine with this previous design solution hose you will also need to order Solution Hose 56264318. See **NOTE #1** on **SOLUTION SYSTEM / ELECTRICAL-1**.

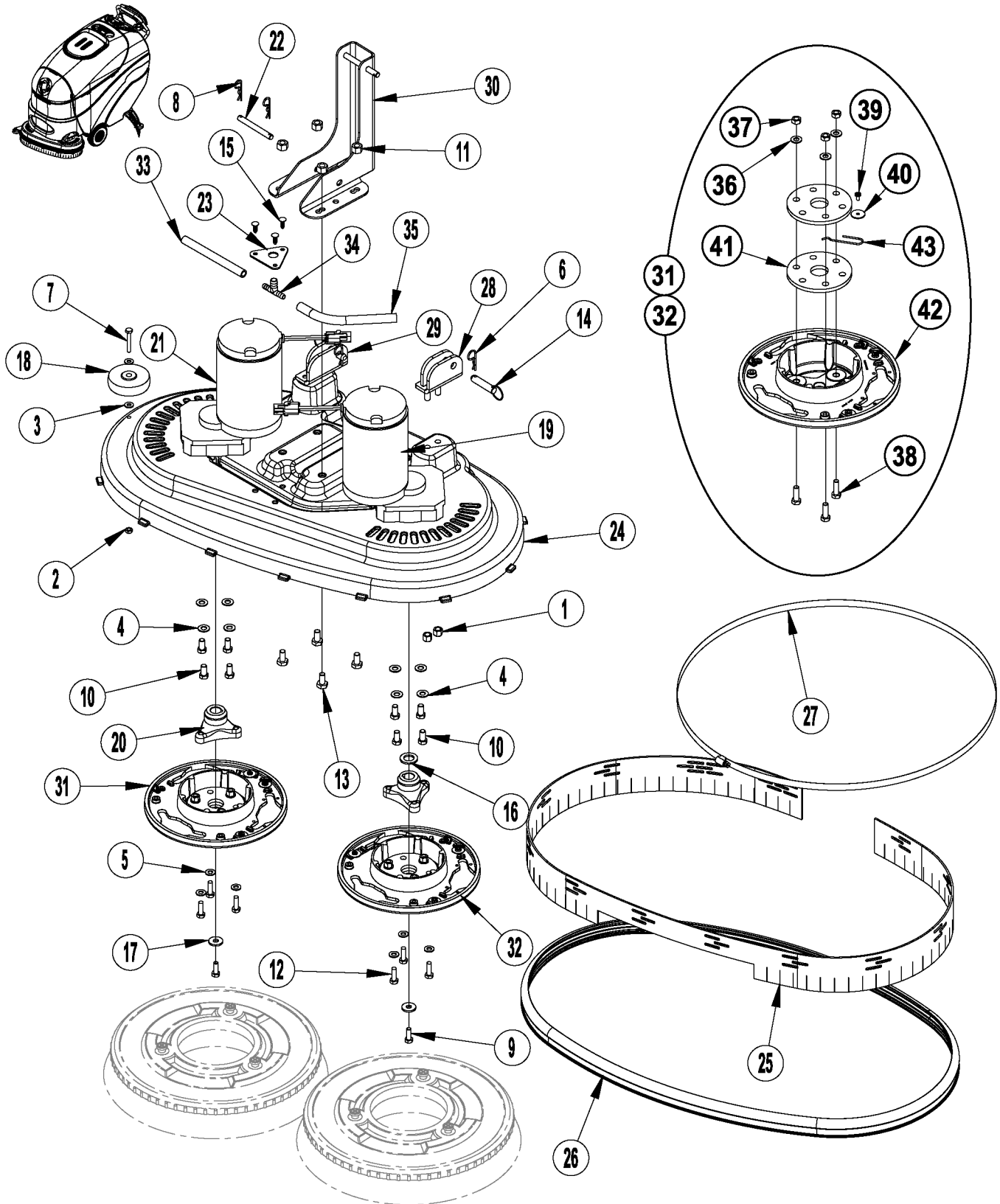
**NOTE #2:** The Deck Casting (item #19) has been redesigned. The old style castings (56315053 - 28", 56315054 - 26" & 56315055 - 24") are no longer available. If you have a machine built prior to this change (**old style deck assembly DOES NOT include items 38 & 39**) and need to replace one of these deck castings you need to order one of the kits listed below. These kits include items (8, 11, 14, 19, 23, 38, 39, 40).

Old Deck	Order Kit
56315053 (28")	56315727
56315054 (26")	56315726
56315055 (24")	56315725

**NOTE #3:** Actuator Weldment Item #23 has been redesigned to accommodate a new upper deck linkage arm (see **Solution System / Electrical-1 / TSBUS2007-957**). The redesigned weldment is backwards compatible to the previous design. The new design does not use item #3 and the quantity of item #1 is reduced to 2.

**NOTE #4:** Extruded Bumpers PNs 56315318, 56315277 & 56315276 are obsolete. If you need to replace one of these bumpers please order one of the kits listed below.

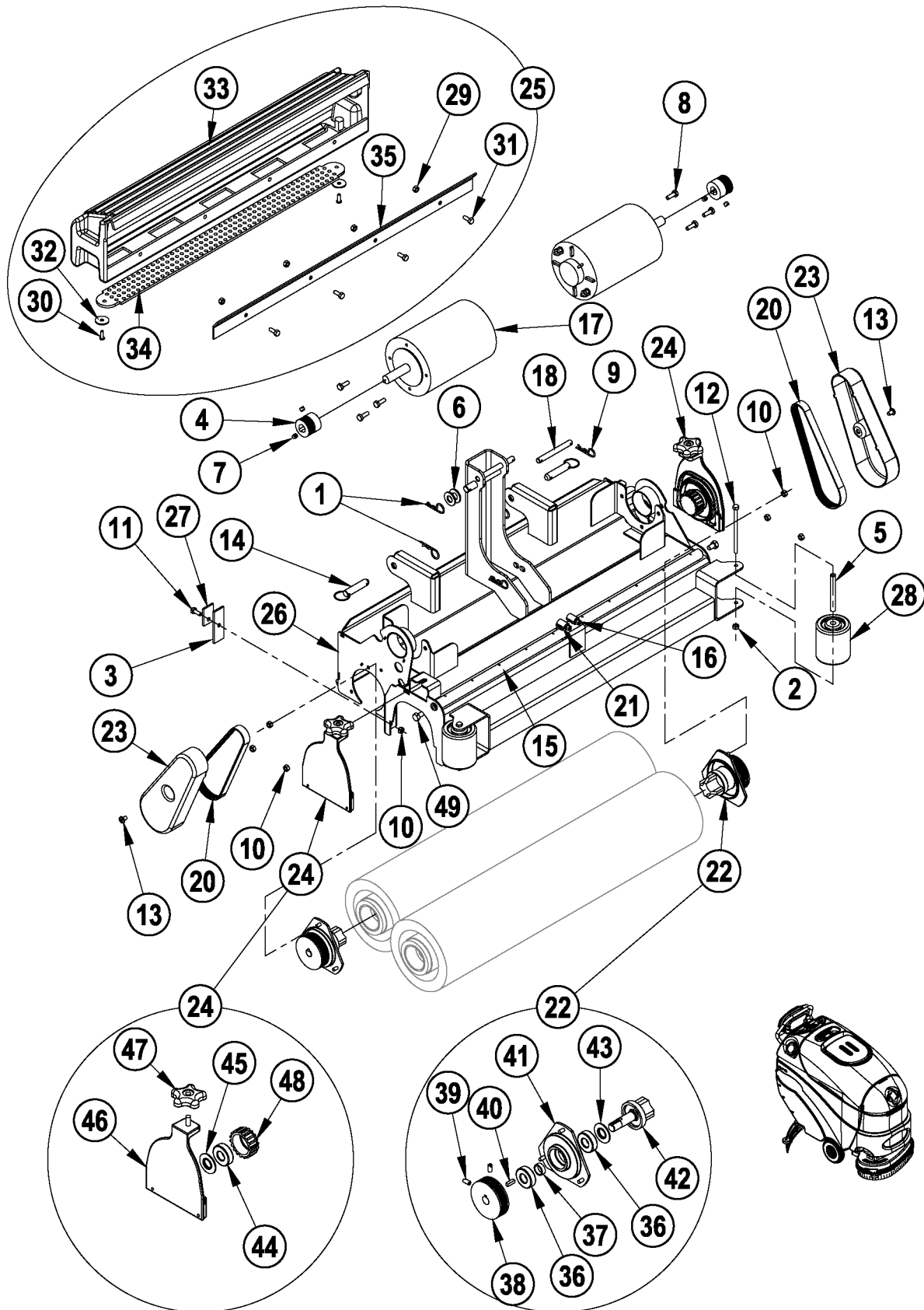
Old Bumper	Order Kit
56315318 (28")	56315764
56315277 (26")	56315763
56315276 (24")	56315762





Item	Ref. No.	Qty	Description
1	56002769	4	Nut, Hex Nyl Loc 3/8-16
2	56002850	1	Nut, Hex Nyl Loc-Thin Ss 1/4-20
3	56002859	2	Wsh, Flt Sae Ss 1/4
4	56002910	8	Wsh, Flt Sae Ss 3/8
5	56002938	6	Wsh, Flt Sae Ss 5/16
6	56002959	2	Pin, Cotter Hair
7	56002990	1	Scr, Hex Ss 1/4-20 X 1.75
8	56003120	2	Pin, Cotter Hair .0915 X .375
9	56003335	2	Scr, Hex Loc Ss 5/16-18 X .88
10	56003338	8	Scr, Hex Loc Ss 3/8-16 X .75
11	56003438	4	Nut, Hex Nyl Loc Ss M10-1.5
12	56003477	6	Scr, Hex Loc Ss M8-1 X 25mm
13	56003533	4	Scr, Hex Ss M10-1.5 X 20mm
14	56003679	2	Pin, Ring .50 X 1.63
15	56003693	3	Rivet, Nylon Tree Push-In (.218)
16	56009022	1	Wsh, Flt .754 X 1.250 X .120
17	56009107	2	Wsh, Flt Ss .378 X 1.000 X .120
18	56049261	1	Wheel
19	56100764	1	Accessory Plate Data Plate
20	56314031	2	Hub, Drive
21	56315056	2	Asm, Motor And Gear Unit, .42hp (M2 / M3)
*	56315376	4	Carbon Brush
*	56397138	4	Brush Spring
22	56315161	1	Pin
23	56315339	1	Bracket
24	56315589	1	Scrub Deck , Disc, Cast, 32
25	56315626	1	Skirt, Rubber 32
26	56315755	1	Extruded Bumper, 32" Deck
27	56315761	1	Band Clamp, Adjustable
28	56315821	1	Deck Mount Brkt Weldt, Lhs
29	56315823	1	Deck Mount Brkt Weldt, Rhs
30	56315826	1	Bracket Weld't
31	56396080	1	Lug, Counterclockwise (36-43)
32	56396081	1	Lug, Clockwise (36-43)
33	56396195	1	Hose, Pvc .38id X 6.00
34	56397300	1	Tee, Barb
35	56397301	1	Hose, Pvc .375
36	56002938	3	Wsh, Flt SAE SS 5/16
37	56003405	3	Nut, Hex Nyl Loc SS M8-1.25
38	56003436	3	Scr, Hex Hd SS M8-1.25 x 25mm
39	56009030	1	Scr, Pan Phil Thd Form 10-24 x .38
40	56009096	1	Wsh, Flt .193 x .875 x .060
41	56407053	2	Thermoid Disk
42	56314030	1	Brush Holder
43	56397081	1	Spring Retainer
*	56315838	2	Harness, Filter Nilfisk only
*	56413883	2	Ferrite Bead Nilfisk only

\* = Not Shown

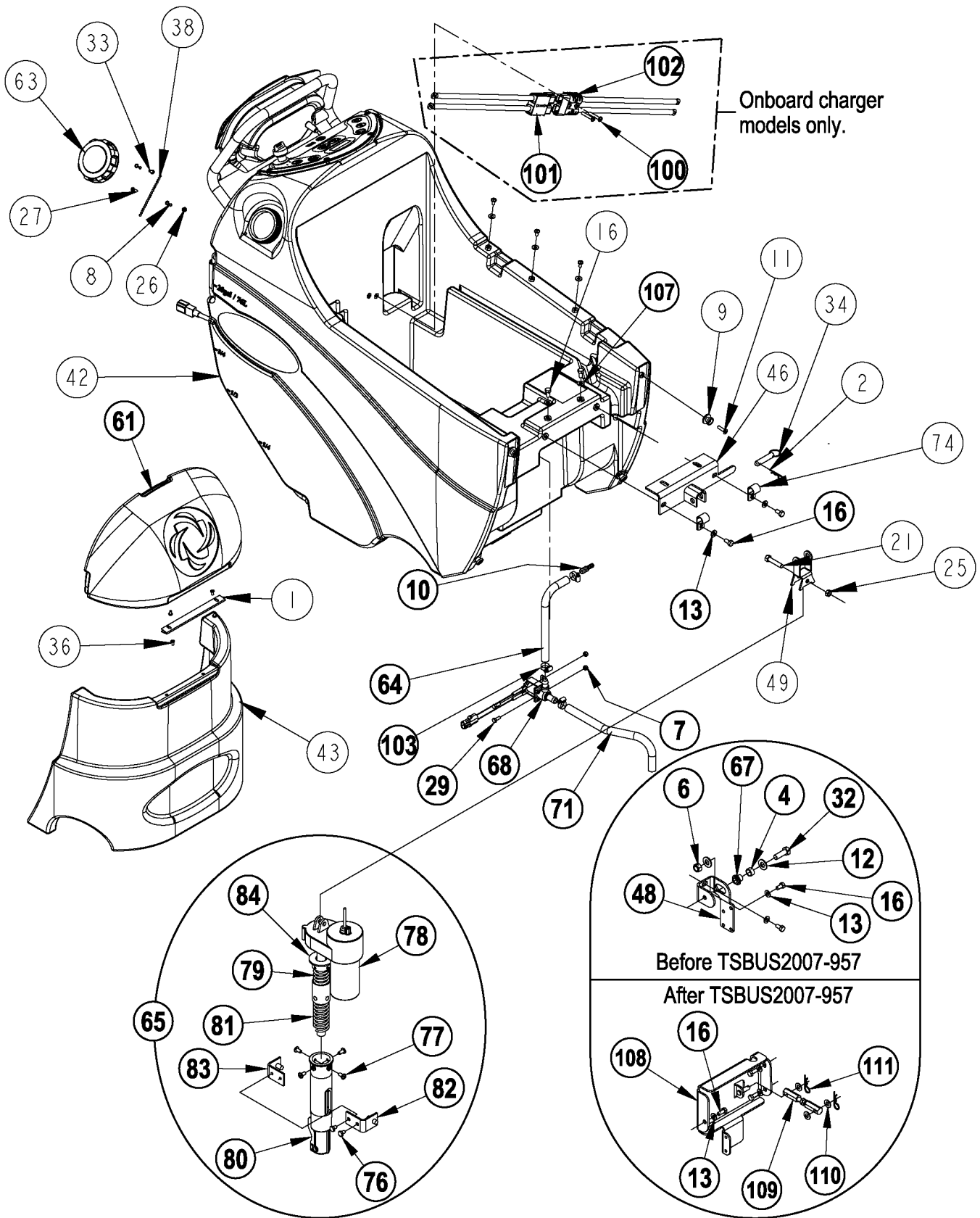


Item	Ref. No.	Qty	Description	Item	Ref. No.	Qty	Description
1	56002959	3	Pin, Cotter Hair <b>NOTE #2 / TSBUS2007-957</b>	27	56410214	2	Strap
2	56003403	2	Nut, Hex Nyl Loc M6-1.00	28	56412459	2	Wheel
3	56407391	2	Blade	29	56003426	4	Nut, Hex Nyl Loc SS M6-1.00
4	56407433	2	Sheave, Poly-V	30	56002896	2	Scr, Pan Phil SS 10-24 x .62
5	56412176	2	Bushing	31	56003431	4	Scr, Hex Hd SS M6-1.00 x 16mm
6	56001879	6	Wsh, Flt SAE 1/2 <b>NOTE #2 / TSBUS2007-957</b>	32	56009060	2	Wsh, Flt SS .260 x 1.00 x .074
7	56002086	4	Scr, Soc Set Loc 5/16-18x.25	33	56315460	1	Hopper (28")
8	56002948	6	Scr, Hex Hd Loc 1/4-20x.75		56315454	1	Hopper (26")
9	56003120	2	Pin, Cotter Hair .0915 X .375		56315401	1	Hopper (24")
10	56003426	8	Nut, Hex Nyl Loc SS M6x1.0	34	56315464	1	Hopper Screen (28")
11	56003431	2	Scr, Hex Hd SS M6-1.0x16mm		56315462	1	Hopper Screen (26")
12	56003492	2	Scr, Hex M6-1.0x95mm		56315319	1	Hopper Screen (24")
13	56003603	2	Scr, Pan Phil Thd Form 1/4-20x.38	35	56315467	1	Hopper Bracket (28")
14	56003679	2	Pin, Ring .50 X 1.63		56315466	1	Hopper Bracket (26")
15	56315355	2	Manifold, PVC (28")		56315465	1	Hopper Bracket (24")
	56315354	2	Manifold, PVC (26")	36	56106070	2	Bearing, Ball
	56315353	2	Manifold, PVC (24")	37	56407389	1	Spacer
16	56112771	2	Clamp, Hose SAE #10	38	56407442	1	Sheave, Poly-V
17	56315061	2	Motor, 24 Vdc, .5 Hp, 1800 RPM (M2 / M3)	39	56002119	2	Scr, Soc Set Loc 1/4-20 x .50
*	56412287	1	Brush / Spring Kit	40	56003237	1	Key, Sq. .19 x .62
18	56315161	1	Pin	41	56315405	1	Bearing Plate
19	56315320	2	Harness, Brush	42	56407557	1	Spindle
20	56315321	2	Belt, Auto Tension	43	56407558	1	Washer, Bearing
21	56262549	1	Tee, Barb <b>NOTE #1</b>	44	56106070	1	Bearing, Ball
22	56315408	2	Drive End Assy (#36-43)	45	56407558	1	Washer, Bearing
23	56315445	2	Cover, Belt	46	56315447	1	Idler Bearing Plate
24	56315448	2	Idler End Assy (#44-48)	47	56396254	1	Knob
25	56315459	1	Hopper Assembly (28" / #29-35)	48	56407551	1	Hub
	56315453	1	Hopper Assembly (26" / #29-35)				
	56315403	1	Hopper Assembly (24" / #29-35)	*	56315838	2	Harness, Filter Nilfisk only
26	56315470	1	Housing, Weld't (28")				
	56315469	1	Housing, Weld't (26")				
	56315468	1	Housing, Weld't (24")				

\* = Not Shown

**NOTE #1:** The previous solution hose design which consisted of a Reducer (56418669), Hose Clamps (56219932) and a smaller 3/8" diameter Hose (56456830) to the scrub deck has been replaced in production with a single 1/2" diameter hose (56264318). If ordering Tee 56262549 for a machine with this previous design solution hose you will also need to order Solution Hose 56264318. See **NOTE #1** on **SOLUTION SYSTEM / ELECTRICAL-1**.

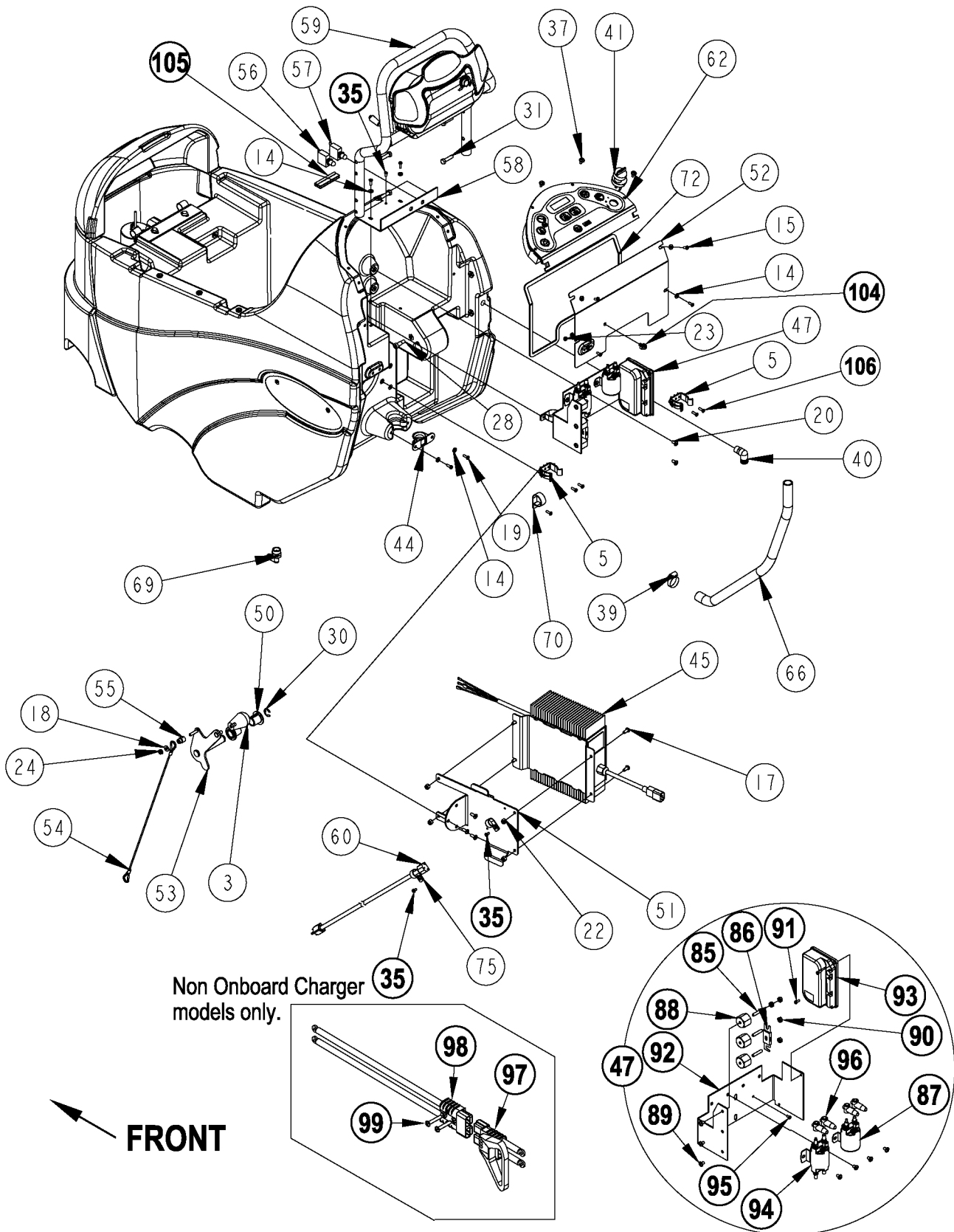
**NOTE #2:** Housing Weldment Item #26 has been redesigned to accommodate a new upper deck linkage arm (see **Solution System / Electrical-1 / TSBUS2007-957**). The redesigned weldment is backwards compatible to the previous design. On machines with the new design the quantity of item #1 is reduced to 2 and the quantity of item #6 is reduced to 4.



04-11	<b>SOLUTION SYSTEM / ELECTRICAL-1</b>	<b>BOOK E</b>		
07-2	<b>Convertamatic™ 24, 26, 28, 32 / BA 625, 725, 825</b>	<b>E</b>	<b>18.3.1</b>	<b>19</b>

Item	Ref. No.	Qty	Description
1	56315285	1	Hinge
2	56002959	1	Pin, Cotter Hair
4	56370878	1	Bearing, Sleeve <b>only used before TSBUS2007-957</b>
6	56003312	1	Nut, Hex Nyl Loc M12-1.75 <b>only used before TSBUS2007-957</b>
7	56003403	2	Nut, Hex Nyl Loc M6-1.00
8	56311057	2	Coupler, Chain
9	56365777	4	Lug, Brush Driver
10	56418669	1	Reducer, Barb
11	56001832	4	Scr, Flt Phil 1/4-20x1.00
12	56001879	2	Wsh, Flt SAE 1/2
13	56001939	4	Wsh, Flt SAE 5/16 <b>QTY of 5 after TSBUS2007-957</b>
16	56002667	6	Scr, Hex Hd 5/16-18x.75 <b>QTY of 7 after TSBUS2007-957</b>
21	56002684	1	Scr, Hex Hd 3/8-16x1.75
25	56002841	1	Nut, Hex Nyl Loc-Thin 3/8-16
26	56002849	1	Nut, Hex Nyl Loc-Thin SS 10-24
27	56002894	1	Scr, Pan Phil SS 10-24x.75
29	56003174	2	Scr Hex Thd To Hd M6-1.0x16mm
32	56003637	1	Scr, Hex M12-1.75x40mm <b>only used before TSBUS2007-957</b>
33	56003633	1	Scr, Pan Phil SS Type B 10-16x.50
34	56003679	1	Pin, Ring .50 X 1.63
36	56009139	4	Scr, Pan Phil Loc 10-24x.38
38	56212242	1	Chain
42	56315089	1	Tank, Solution
43	56315104	1	Nose Cone, 24-26 Commercial
46	56315130	1	Weldment, Actuator Mount
48	56315186	1	Bracket, Linkage Pivot <b>only used before TSBUS2007-957</b>
49	56315191	1	Yoke, Actuator
61	56315284	1	Cover, Chemical Bottle
63	56315517	1	Cap, Raw
64	56387302	1	Spiral, Hose X .500
65	56396049	1	Lift Actuator Assembly <b>(76-84)</b>
67	56315380	1	Bushing <b>only used before TSBUS2007-957</b>
68	56397203	1	Solenoid Valve Assy. <b>(L1)</b>
71	56264318	1	Hose, Spiral .500 <b>NOTE #1</b>
74	56469380	2	Clamp, P
76	56009019	2	Scr, Hex Thd Form 1/4-20 X .38
77	56009062	4	Scr, Pan Phil Thd Form 1/4-20 X .50
78	56393303	1	Actuator, Motor <b>(M5)</b>
79	56412071	1	Compression Spring
80	56412262	1	Housing, Spring
81	56420018	1	Compression Spring
82	56420019	1	Nut Retainer
83	56420020	1	Nut Retainer
84	56396268	1	Spring Housing Guide
100	56002786	2	Scr, Pan Phil 1/4-20 x 1.50 <b>(onboard charger only)</b>
101	56397188	1	Connector Assy <b>(connected to batteries / onboard charger only)</b>
102	56397187	1	Connector Assy <b>(connected to machine / onboard charger only)</b>
103	56219932	3	Clamp, Hose SAE #6
107	56009122	2	Wsh, Flt .344 x .938 x .125
108	56315839	1	Bracket Weld't <b>only used after TSBUS2007-957</b>
109	56315836	1	Turnbuckle Assy <b>only used after TSBUS2007-957</b>
110	56002063	3	Wsh, Flt SAE 3/8 <b>only used after TSBUS2007-957</b>
111	56003120	2	Pin, Cotter Hair .0915 x .375 <b>only used after TSBUS2007-957</b>

**NOTE #1:** The previous solution hose design which consisted of a Reducer (56418669), Hose Clamps (56219932) and a smaller 3/8" diameter Hose (56456830) to the scrub deck has been replaced in production with a single 1/2" diameter hose (56264318). If ordering this new hose (56264318) for a machine with the previous design you will also need to order a new Tee (56397300 for disc / 56262549 for cylindrical) for the scrub deck. See **NOTE #1** on **SCRUB SYSTEM – DISK (24", 26", 28")** and **SCRUB SYSTEM – CYLINDRICAL**.



04-11	<b>SOLUTION SYSTEM / ELECTRICAL-2</b>	<b>BOOK E</b>		
07-2	<b>Convertamatic™ 24, 26, 28, 32 / BA 625, 725, 825</b>	<b>E</b>	<b>18.3.1</b>	<b>21</b>

Item	Ref. No.	Qty	Description	Item	Ref. No.	Qty	Description
3	56364527	1	Knob	55	56315245	1	Bushing, Squeegee Cable
5	56407361	2	Clamp, Plastic	56	56315255	1	Circuit Breaker, 5 Amp
14	56001954	8	Wsh, Flt SAE #10	57	56315256	1	Circuit Breaker, 30 Amp
15	56001993	4	Scr, Pan Phil 10-24x.50	58	56315259	1	Plate, Circuit Breaker
17	56002066	7	Scr, Pan Phil 1/4-20x.62 <b>(Onboard Charger Only)</b>	59	56315266	1	Assembly, Paddle <b>TSBUS2005-898</b>
18	56002098	4	Wsh, Flt SAE 1/4	60	56315270	1	Charger Cord, Us <b>(Onboard Charger Only)</b>
19	56002124	12	Scr, Pan Phil 10-24x.62	62	56315297	1	Control Panel Assy <b>(A1) NOTE #1</b>
20	56002145	5	Scr, Pan Phil 1/4-20x.50		56315577	1	Control Panel Assy <b>(A1) NOTE #2</b>
22	56002708	4	Nut, Hex Nyl Loc 1/4-20 <b>(Onboard Charger Only)</b>	66	56396143	1	Hose, Pvc
23	56002832	2	Nut, Hex Nyl Loc-Thin 10-24	69	56409152	1	Barb, 90 Elbow 1/2 X 1/2npt
24	56002840	1	Nut, Hex Nyl Loc-Thin 1/4-20	70	56410166	2	Clamp, P
28	56002962	1	Scr, Soc Shd .38 X .62 X 5/16-18	72	56412285	1	Gasket, Elect. Cover
30	56003266	1	Ring, Ret Ext Type E 0.75 Dia	75	56486112	2	Clamp, P <b>(Onboard Charger Only)</b>
31	56002094	4	Scr, Hex Hd 5/16-18x1.50	85	56009203	3	Stud, 1/4-20
35	56009030	3	Scr, Pan Phil Thd Form 10-24x.38 <b>(Qty of 1 on Non-Onboard Charger models)</b>	86	56412089	1	Fuse, 150 Amp <b>(F1)</b>
37	56009206	4	Scr, Truss Phil-Blk 10-24x.50	87	56412179	1	Contact, 24 Vdc <b>(K2 / Vac Motor)</b>
39	56244969	1	Clamp, Hose SAE #12	88	56469858	3	Standoff, Insulated
40	56264442	1	Barb, 90 Elbow 3/4 X 3/8npt	89	56002462	7	Scr, Pan Phil 1/4-20x.38
41	56303553	1	Key Switch Assembly	90	56002561	4	Nut, Hex W/ Shprf 1/4-20
*	56303526	A/R	Set of 2 Replacement Keys	91	56009031	2	Scr, Pan Phil Thd Form 8-32x.50
44	56315121	1	Guide, Cable	92	56315182	1	Panel, Electrical
45	56315124	1	Charger, On-Board 24V <b>NOTE #3</b> <b>TSBUS2006-931</b>	93	56315294	1	Speed Control <b>(A2)</b>
*	56315747	1	Thermistor Repair Kit for 56315124	94	56397088	1	Contact, 24v Spdt <b>(K1 / Brush Motor)</b>
47	56315162	1	Assy, Electrical Box <b>(85-96) TSBUS2005-897</b> <b>TSBUS2006-926</b>	95	56009030	1	Scr, Pan Phil Thd Form 10-24x.38
50	56315193	2	Bushing, Flange	96	56409538	4	Insulator, Terminal
51	56315206	1	Bracket, Charger <b>(Onboard Charger Only)</b>	97	56315345	1	Connector Assy <b>(connected to batteries)</b> <b>(non onboard charger only)</b>
52	56315222	1	Panel, Electrical	98	56397187	1	Connector Assy <b>(connected to machine)</b> <b>(non onboard charger only)</b>
53	56315236	1	Weldment, Squeegee Lift	99	56002825	2	Scr, Pan Phil 1/4-20 x 1.25 <b>(non onboard charger only)</b>
54	56315243	1	Cable Assy	104	56315382	1	Clip, Conduit
				105	56315532	1	Gasket
				106	56001993	2	Scr, Pan Phil 10-24 x .50

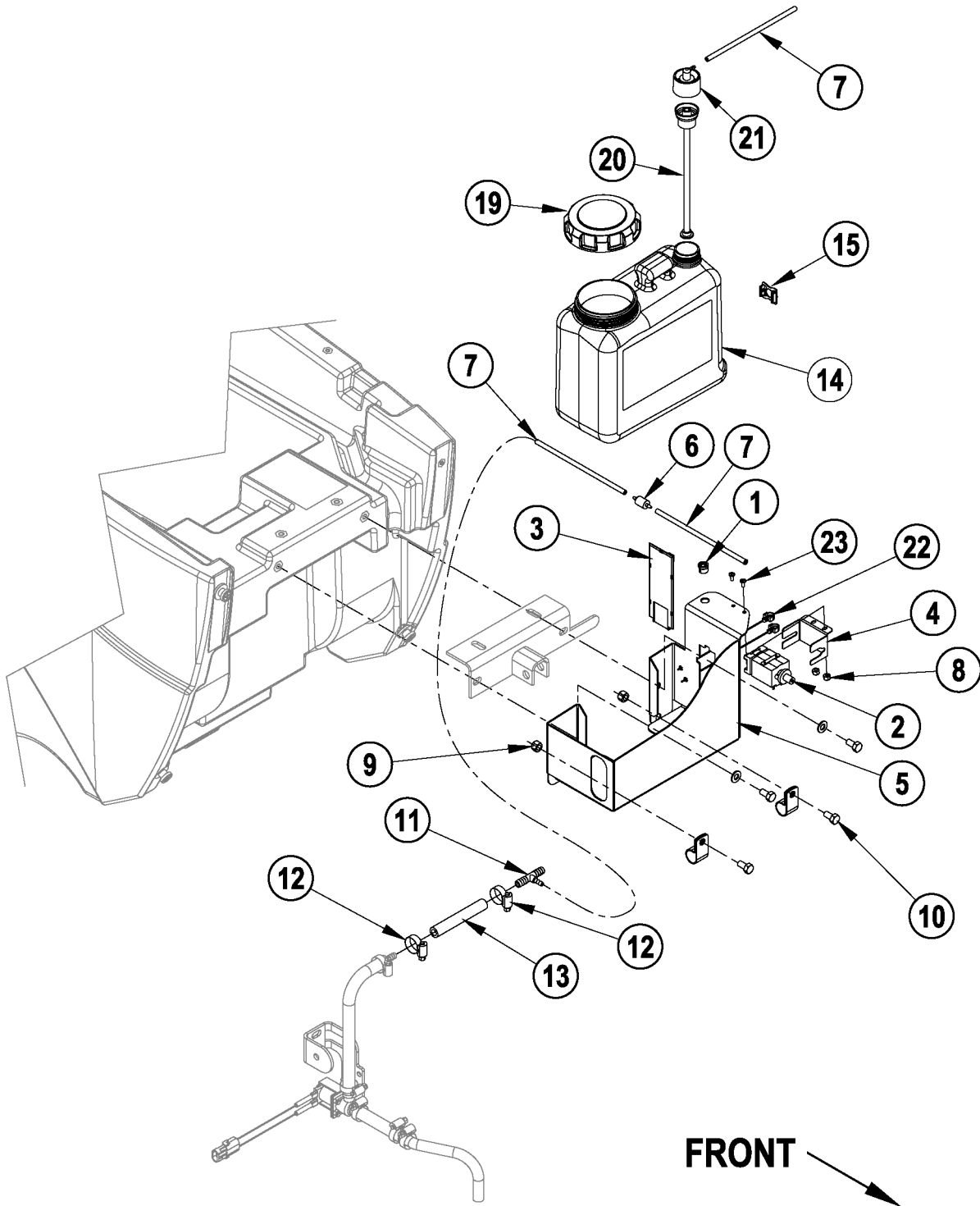
\* = Not Shown

**NOTE #1:** Order this control panel assy if you have the "Old Pump" voltage reading across the solution pump (M7) leads.

**NOTE #2:** Order this control panel assy if you have the "New Pump" voltage reading across the solution pump (M7) leads.

	Voltage
Regular Scrub	
Old Pump	7
New Pump	9.56
Heavy Scrub	
Old Pump	11.3
New Pump	13.7
Extreme Scrub	
Old Pump	17
New Pump	19.24

**NOTE #3:** Starting with Charger serial # CP240548022382 the charger software can be programmed with a computer and the QuiQ Programmer kit 56315732. The On-Board Charger is only available as a field kit (56315846) on Nilfisk models.



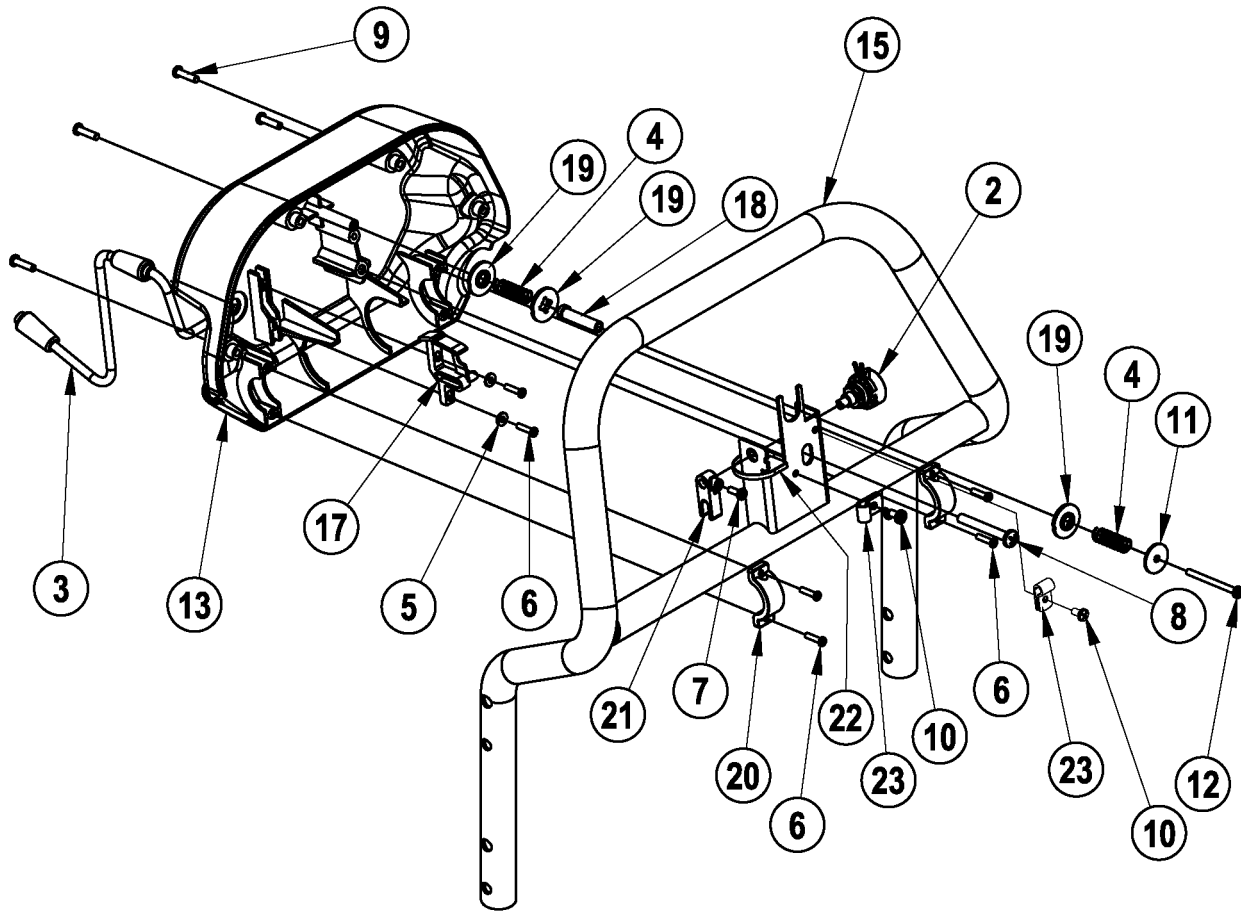


04-11	<b>CHEMICAL ASSEMBLY (AXP MODELS ONLY)</b>	<b>BOOK E</b>		
07-2	<b>Convertamatic™ 24, 26, 28, 32 / BA 625, 725, 825</b>	<b>E</b>	<b>18.3.1</b>	<b>23</b>

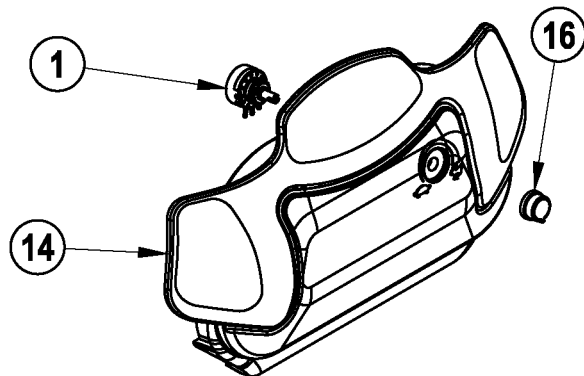
Item	Ref. No.	Qty	Description
	56315501	1	Chemical Tank Assy (1-8 & 22-23) NOTE #1
1	56003699	1	Bushing, 1/4 ID Snub
2	56315241	1	Pump, Chemical
3	56315340	1	Circuit Board Assy
4	56315476	1	Bracket, Chemical Pump
5	56315515	1	Bracket, Tank Mounting
6	56315522	1	Check Valve, 1/8 Barb, 125PSI
7	56315524	3	Hose, Chemical Resistant, 7"
8	56002877	2	Nut, Hex Nyl Loc SS 8-32
9	56002701	2	Nut, Hex Nyl Loc 5/16-18
10	56002035	2	Scr, Hex Hd 5/16-18 x .62
11	56315265	1	Tee, Barb
12	56219932	2	Clamp, Hose SAE #6
13	56412187	1	Hose, .38 Spiral
14	56315502	1	Chemical Bottle As
**	56315535	A/R	AXP Neutral Cleaner, 4 pack
**	56315537	A/R	AXP Heavy Duty Cleaner & Degreaser, 4 pack
15	56315511	1	Indicator Assy
19	56315517	1	Cap
20	56315527	1	Insert, Dry Break
21	56315523	1	Cap, Dry Break, 1/8 Barb, 90°
22	56315382	2	Clip, Conduit
23	56003018	2	Scr, Pan Phil SS 8-32 x .38

\*\* = Optional, Not Included

**NOTE #1:** The Chemical Assembly is only available as a field kit on Nilfisk models.

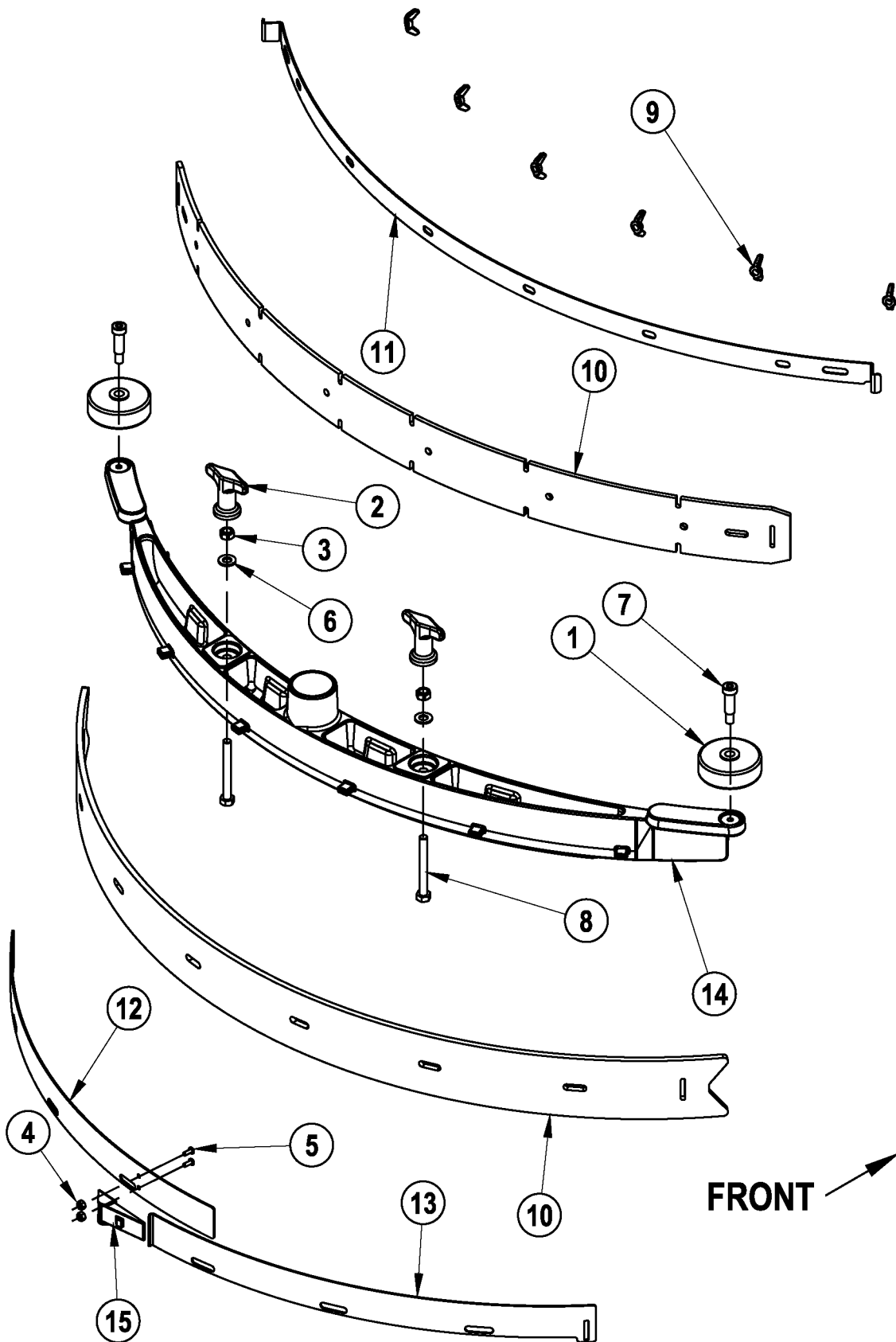


FRONT



04-11	<b>PADDLE ASSEMBLY</b>	<b>BOOK E</b>		
06-8	<b>Convertamatic™ 24, 26, 28, 32 / BA 625, 725, 825</b>	<b>E</b>	<b>18.3.1</b>	<b>25</b>

Item	Ref. No.	Qty	Description
	56315266	1	Assembly, Paddle TSBUS2005-898 / TSBUS2006-925
1	56396197	1	Potentiometer, 100k (R2)
2	56397029	1	Potentiometer, 5k (R1)
3	56315231	1	Harness, Handle
4	56325654	2	Spring, Compression
5	56002006	2	Wsh, Flt SAE #6
6	56003197	6	Scr, Pan Phil Plastite 6-18x.62
7	56003354	1	Scr, Pan Phil M4 X 12
8	56003527	1	Scr, Pan Phil Plastite 1/4-10x2.00
9	56003545	4	Scr, Pan Phil Plastite 8-10x.75
10	56009030	2	Scr, Pan Phil Thd Form 10-24x.38
11	56009096	1	Wsh, Flt .193 X .875 X .060
12	56009287	1	Scr, Pan Phil Type B 8x2.00
13	56315229	1	Paddle, Back Cover
14	56315230	1	Paddle, Front Cover
15	56315251	1	Weldment, Handle Bar
16	56315280	1	Knob
17	56397015	1	Cam Controller
18	56397109	1	Sleeve
19	56397170	3	Washer, Plastic
20	56397171	2	Clamp
21	56397172	1	Potentiometer Fork
22	56478246	1	Tie, Cable
23	56481890	2	Clamp, P



04-11	<b>SQUEEGEE ASSEMBLY</b>	<b>BOOK E</b>		
07-2	<b>Convertamatic™ 24, 26, 28, 32 / BA 625, 725, 825</b>	<b>E</b>	<b>18.3.1</b>	<b>27</b>

Item	Ref. No.	Qty	Description
	56315291	1	Squeegee Assembly (24")
	56315290	1	Squeegee Assembly (26" & 28")
	56315632	1	Squeegee Assembly "D" (32")
1	56324350	2	Wheel
2	56370711	2	Nut, Thumb
3	56002851	2	Nut, Hex Nyl Loc-Thin SS 5/16-18
4	56002907	2	Nut, Hex Nyl Loc SS 6-32
5	56002909	2	Scr, Pan Phil SS 6-32x.38
6	56002938	2	Wsh, Flt SAE SS 5/16
7	56003472	2	Scr, Soc Shd .38 X 1.00 X 5/16-18
8	56003736	2	Scr, Hex Thd to Hd SS 5/16-18 x 3.00
9	56009111	6	Nut, Wing SS 1/4-20
10	56315347	1	Squeegee Blade kit (24") NOTE #1
	56315348	1	Squeegee Blade kit (26" & 28") NOTE #1
11	56314028	1	Strap, Front (24")
	56314322	1	Strap, Front (26" & 28")
	56314696	1	Strap, Front "D" (32")
12	56314026	1	Strap, Left Rear (24")
	56314323	1	Strap, Left Rear (26" & 28")
	56314691	1	Strap, Left Rear "D" (32")
13	56314027	1	Strap, Right Rear (24")
	56314324	1	Strap, Right Rear (26" & 28")
	56314692	1	Strap, Right Rear "D" (32")
14	56314271	1	Squeegee Tool, Cast (24")
	56314325	1	Squeegee Tool, Cast (26" & 28")
	56314694	1	Squeegee Tool, Cast "D" (32")
15	56471194	1	Latch Assembly
<b>24" Squeegee Blade Kits</b>			
**	56315347	1	Kit, Gum Rubber Squeegee Blade NOTE #1
**	56315351	1	Kit, Linatex Squeegee Blade NOTE #1
**	56314305	1	Kit, Neoprene Squeegee Blade NOTE #1
**	56315854	1	Kit, Squeegee Blade PU B NOTE #1
<b>26" &amp; 28" Squeegee Blade Kits</b>			
**	56315348	1	Kit, Gum Rubber Squeegee Blade NOTE #1
**	56315352	1	Kit, Linatex Squeegee Blade NOTE #1
**	56314062	1	Kit, Neoprene Squeegee Blade NOTE #1
**	56315855	1	Kit, Squeegee Blade PU C NOTE #1
<b>32" Squeegee Blade Kits</b>			
**	56315674	1	Kit, Gum Rubber Squeegee Blade NOTE #1
**	56314865	1	Kit, Linatex Squeegee Blade NOTE #1
**	56314843	1	Kit, Neoprene Squeegee Blade NOTE #1
**	56315856	1	Kit, Squeegee Blade PU D NOTE #1

\*\* = Optional, Not Included

**NOTE #1:** All squeegee blade kits include both front and rear squeegee blades.



Item	Ref. No.	Qty	Description
A1	56315297	1	Control Panel Assy (A1) <b>NOTE #1</b>
	56315577	1	Control Panel Assy (A1) <b>NOTE #2</b>
A2	56315294	1	Speed Control
BT1	NA	4	Battery
F1	56412089	1	Fuse, 150 Amp
F2	56315255	1	Circuit Breaker, 5 Amp
F3	56315256	1	Circuit Breaker, 30 Amp
K1	56397088	1	Contactora, Brush Motor
K2	56412179	1	Contactora, Vac Motor
L1	56397203	1	Solenoid, Solution
L2	56397203	1	Solenoid, Recycle Solution (Optional)
M1	56315062	1	Transaxle, 24v
*	56315377	1	Motor
*	56315378	4	Carbon Brush
*	56315379	2	Neoprene Mounting Sleeve
M2	56315056	1	Motor, Left Brush (Disk)
*	56315376	4	Carbon Brush
*	56397138	4	Brush Spring
	56315061	1	Motor, Left Brush (Cylindrical)
*	56412287	1	Brush / Spring Kit
M3	56315056	1	Motor, Right Brush (Disk)
*	56315376	4	Carbon Brush
*	56397138	4	Brush Spring
	56315061	1	Motor, Left Brush (Cylindrical)
*	56412287	1	Brush / Spring Kit
M4	56412218	1	Motor, Vac
*	56397098	1	Carbon Brush Set of 2
M5	56393303	1	Motor, Brush Actuator
M6	56315241	1	Pump, Chemical (Optional)
M7	56315108	1	Pump, Solution
M8	56315132	1	Pump, Recycle (Optional)
R1	56397029	1	Potentiometer, 5K Ohm, Throttle
R2	56396197	1	Potentiometer, 100K Ohm, Speed Limit
S1	NA	1	Part of M7
S2	NA	1	Part of M8
S3	56303553	1	Switch, Key
*	56303526	A/R	Set of 2 Replacement Keys
S4	56315096	1	Switch, Float
S5	56315096	1	Switch, Float (Optional / Recycle Start)
S6	56315096	1	Switch, Float (Optional / Recycle Stop)
*	56315124	1	Charger, Onboard 24V (Onboard Charger Models Only) <b>NOTE #3</b> <b>TSBUS2006-931</b>
*	56315747	1	Thermistor Repair Kit for 56315124
*	56315340	1	Chemical Ratio Sensor (Chemical Models Only)
*	56315249	1	Harness, Main <b>TSBUS2006-926 / TSBUS2007-955</b>
*	56315751	1	Vacuum Harness <b>TSBUS2007-955</b>
*	56416445	3	Cable Assy 4 AWG (Battery Cables)
*	56372673	8	Boot, Battery Post
*	56478523	2	Tie, Cable
*	56478246	9	Tie, Cable
*	56314119	1	Spacer, Battery
*	56315838	2	Harness, Filter <b>Nilfisk only</b>
*	56413883	2	Ferrite Bead <b>Nilfisk Disk models only</b>

\* = Not Shown

**NOTE #1:** Order this control panel assy if you have the "Old Pump" voltage reading across the solution pump (M7) leads.

**NOTE #2:** Order this control panel assy if you have the "New Pump" voltage reading across the solution pump (M7) leads.

	Voltage
Regular Scrub	
Old Pump	7
New Pump	9.56
Heavy Scrub	
Old Pump	11.3
New Pump	13.7
Extreme Scrub	
Old Pump	17
New Pump	19.24

**NOTE #3:** Starting with Charger serial # CP240548022382 the charger software can be programmed with a computer and the QuiQ Programmer kit 56315732. **The On-Board Charger is only available as a field kit (56315846) on Nilfisk models**

Ref. No.	Qty	Description
----------	-----	-------------

**Optional Kits**

**	56315168	1	Extended Scrub Kit
*	56040824	1	Instruction Sheet
**	56315312	1	Squeegee Wand Kit
*	56040825	1	Instruction Sheet
**	56315845	1	EDS On-Board Chemical Kit (Nilfisk)
*	56040928	1	Instruction Sheet
**	56315846	1	On-Board Charger kit-EU (Nilfisk)
*	56040929	1	Instruction Sheet
**	56315732	1	QuiQ Programmer Kit <b>NOTE #2</b>

Replacement parts for the kits listed above can be found on each kit's associated instruction sheet.

**Advance Deck Kits**

**	56315322	A/R	Kit, 24" Disk Deck Assy ( <b>Advance</b> ) <b>NOTE #3</b>
**	56315323	A/R	Kit, 26" Disk Deck Assy ( <b>Advance</b> ) <b>NOTE #3</b>
**	56315324	A/R	Kit, 28" Disk Deck Assy ( <b>Advance</b> ) <b>NOTE #3</b>
**	56315864	A/R	Kit, 32" Disk Deck Assy ( <b>Advance</b> ) <b>NOTE #3</b>
**	56315325	A/R	Kit, 24" Cyl Deck Assy ( <b>Advance</b> ) <b>NOTE #3</b>
**	56315326	A/R	Kit, 26" Cyl Deck Assy ( <b>Advance</b> ) <b>NOTE #3</b>
**	56315327	A/R	Kit, 28" Cyl Deck Assy ( <b>Advance</b> ) <b>NOTE #3</b>

**Nilfisk Deck Kits**

**	56315860	A/R	Kit, BA625 Disk Deck W/Squeegee (Nilfisk) <b>NOTE #4</b>
**	56315861	A/R	Kit, BA725 Disk Deck W/Squeegee (Nilfisk) <b>NOTE #4</b>
**	56315863	A/R	Kit, BA825 Disk Deck W/Squeegee (Nilfisk) <b>NOTE #4</b>
**	56315862	A/R	Kit, BA725 Cyl Deck W/Squeegee (Nilfisk) <b>NOTE #4</b>

**24" Squeegee Blade Kits**

**	56315347	1	Kit, Gum Rubber Squeegee Blade <b>NOTE #1</b>
**	56315351	1	Kit, Linatex Squeegee Blade <b>NOTE #1</b>
**	56314305	1	Kit, Neoprene Squeegee Blade <b>NOTE #1</b>

**26" & 28" Squeegee Blade Kits**

**	56315348	1	Kit, Gum Rubber Squeegee Blade <b>NOTE #1</b>
**	56315352	1	Kit, Linatex Squeegee Blade <b>NOTE #1</b>
**	56314062	1	Kit, Neoprene Squeegee Blade <b>NOTE #1</b>

**Accessories**

**	56315316	A/R	Tote Bag
**	56397453	6	Indicator, Battery Level ( <b>1 per battery</b> )
**	56409441	A/R	Programmer, 1307 User
**	56409823	A/R	Programmer Cable

**Optional Batteries**

**	56206987	4	Battery, 6V 180AH Gel
**	56206117	4	Battery, 6V 195AH Wet
**	56206079	4	Battery, 6V 235AH Wet

**Optional Battery Chargers**

**	56388109	A/R	Charger, 24V 25A 110V
----	----------	-----	-----------------------

\* = Not Shown

\*\* = Optional, Not Included

**NOTE #1:** All squeegee blade kits include both front and rear squeegee blades.

**NOTE #2:** Starting with Charger serial # CP240548022382 the charger software can be programmed with a computer and the QuiQ Programmer kit 56315732.

**NOTE #3:** Refer to Instruction Sheet 56040847 for these kits.

**NOTE #4:** Refer to Instruction Sheet 56040932 for these kits.



We provide brushes and pad holders that will give you the best possible performance between machine and floor. Following are descriptions of the materials and their applications.

- Union Mix:** Medium grade natural fibers for polishing finished floors with standard-speed equipment. Recommended for use in place of white pads.
- ProLite:** Bristles are made from light-duty polypropylene for general scrubbing when you do not want to scratch or remove finish from the floor. Recommended for use in place of red pads.
- Prolene:** Polypropylene material for medium-duty scrubbing on concrete, terrazzo and vinyl floor tile. Recommended for use in place of green or blue pads.
- Magna Grit:** For extreme heavy-duty scrubbing or stripping of floors. This brush has extra large diameter silicon carbide grit impregnated synthetic bristles. Recommended for use in place of black pads.
- Dyna Grit:** For aggressive, heavy-duty scrubbing or stripping of floors. Recommended for use in place of brown pads.
- MidLite Grit:** For general purpose scrubbing of sealed or unsealed concrete, stone, terrazzo, quarry tile and other resilient hard floor surfaces. Recommended for use in place of green or blue pads.
- MidGrit:** For general purpose scrubbing when you need a lighter action for sealed or unsealed concrete, stone, terrazzo, quarry tile and other resilient hard floor surfaces. Recommended for use in place of green or blue pads.
- AgLite Grit:** For light scrubbing when used wet; buffing or polishing when used dry on urethane coated, sealed concrete or other resilient hard surface floors. Recommended for use in place of red or white pads.
- Short Trim Pad Holder:** Made with a structural foam block and center ring for correct pad centering. It has a "shower feed" design for getting solution to the floor.

**24" BRUSHES**

- 56505750 - Short Trim Pad Holder
- 56505195 - Pad Retainer for 56505750
- 56505751 - MagnaGrit
- 56505752 - DynaGrit
- 56505753 - AgLite
- 56505754 - Prolene
- 56505755 - ProLite
- 56505756 - Union Mix
- 56505757 - MidGrit
- 56505758 - MidLite Grit

**26" BRUSHES**

- 56505760 - Short Trim Pad Holder
- 56505195 - Pad Retainer for 56505760
- 56505761 - MagnaGrit
- 56505762 - DynaGrit
- 56505763 - AgLite
- 56505764 - Prolene
- 56505765 - ProLite
- 56505766 - Union Mix
- 56505767 - MidGrit
- 56505768 - MidLite Grit

**28" BRUSHES**

- 56505800 - Short Trim Pad Holder
- 56505195 - Pad Retainer for 56505800
- 56505801 - MagnaGrit
- 56505802 - DynaGrit
- 56505803 - AgLite
- 56505804 - Prolene
- 56505805 - ProLite
- 56505806 - Union Mix
- 56505807 - MidGrit
- 56505808 - MidLite Grit

**32" BRUSHES**

- 56505830 - Short Trim Pad Holder
- 56505195 - Pad Retainer for 56505800
- 56505831 - MagnaGrit
- 56505832 - DynaGrit
- 56505833 - AgLite
- 56505834 - Prolene
- 56505835 - ProLite
- 56505836 - Union Mix
- 56505837 - MidGrit
- 56505838 - MidLite Grit

**DISC BRUSH APPLICATION GUIDE (SUGGESTION ONLY)**

Application	46 Grit	80 Grit	180 Grit	240 Grit	500 Grit	Prolene	Prolite	Union Mix
<b>Stripping:</b>								
Concrete	X	X						
Terrazzo	X	X						
Ceramic/Quarry tile		X						
Vinyl tile		X						
<b>General Scrubbing:</b>								
Concrete	X	X	X	X		X		
Terrazzo			X	X	X	X		
Ceramic/Quarry tile			X	X	X	X		
Marble					X		X	
Vinyl tile			X		X	X		
Raised-rubber tile					X		X	
<b>Polishing:</b>								
Raised Disc Tile								X
Marble								X
Vinyl tile								X

We provide brushes and pad holders that will give you the best possible performance between machine and floor. Following are descriptions of the materials and their applications.

- 46 Grit Brush:** Most aggressive grit brush. Used primarily to clean heavy buildup on concrete floors in factories, or for heavy stripping of finish.
- 80 Grit Brush:** Medium aggressive grit brush. Good all-around brush for medium to heavy buildup removal. Can also be used for general stripping operations.
- 180 Grit Brush:** Least aggressive grit brush. Used for daily cleaning of hard-finished floors.
- Polypropylene Brush:** Standard equipment brush. Low cost, yet effective in cleaning many common floor surfaces.
- Stiff Nylon Brush:** Cleaning action similar to polypropylene. More durable and wear-resistant than polypropylene.
- Soft Nylon Brush:** Least aggressive brush available. Used on soft-finish floors where a more aggressive brush would leave scratch marks, or in applications requiring very light cleaning.

**24" BRUSHES**

- 56314389 - Soft Nylon
- 56314390 - Hard Nylon
- 56314391 - Prolene
- 56314392 - 180 Grit
- 56314393 - 80 Grit
- 56314394 - 46 Grit

**26" BRUSHES**

- 56314383 - Soft Nylon
- 56314384 - Hard Nylon
- 56314385 - Prolene
- 56314386 - 180 Grit
- 56314387 - 80 Grit
- 56314388 - 46 Grit

**28" BRUSHES**

- 56412191 - Soft Nylon
- 56412192 - Hard Nylon
- 56412046 - Prolene
- 56412193 - 180 Grit
- 56412194 - 80 Grit
- 56412194 - 46 Grit

**CYLINDRICAL BRUSH APPLICATION GUIDE (SUGGESTION ONLY)**

Application	46 Grit	80 Grit	180 Grit	Polypropylene	Stiff Nylon	Soft Nylon
<b>Stripping:</b>						
Concrete	X	X				
Terrazzo	X	X				
Ceramic/Quarry tile		X				
Vinyl tile		X				
<b>General Scrubbing:</b>						
Concrete	X	X	X	X	X	
Terrazzo			X	X	X	X
Ceramic/Quarry tile			X	X	X	X
Marble			X		X	X
Vinyl tile			X	X	X	X
Raised-rubber tile			X			X



