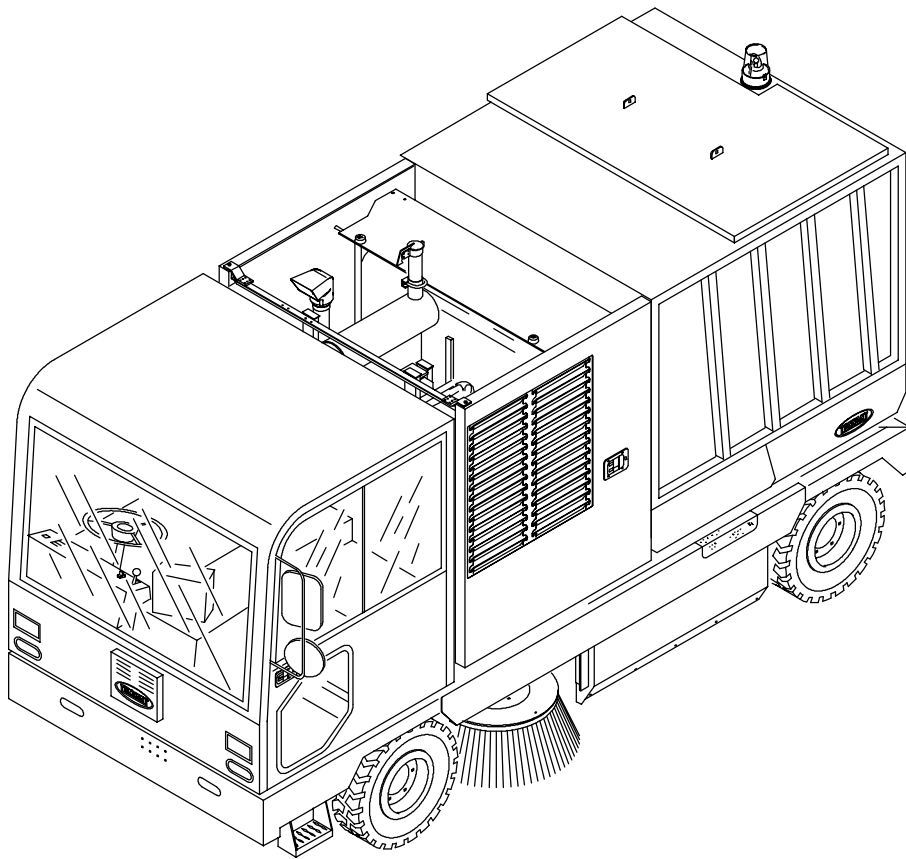




830-II

Parts Manual



330430

Rev. 06





This manual is furnished with each new TENNANT Model 830.

This manual consists of the *How To Use This Manual; Standard Parts; Options; Breakdowns; Engine Breakdowns; Turbo Engine Breakdowns; and Cross Reference* sections.

MACHINE DATA

Please fill out at time of installation for future reference.

Machine Model Number - 830-II

Machine Serial Number - _____

Machine Options - _____

TENNANT Representative/phone no. - _____

Customer ID Number - _____

Date of Installation - _____

Manual Number - 330430

Revision: 06

Published: 12-02

HOW TO USE THIS MANUAL

This section on *HOW TO USE THIS MANUAL* will tell you how to:

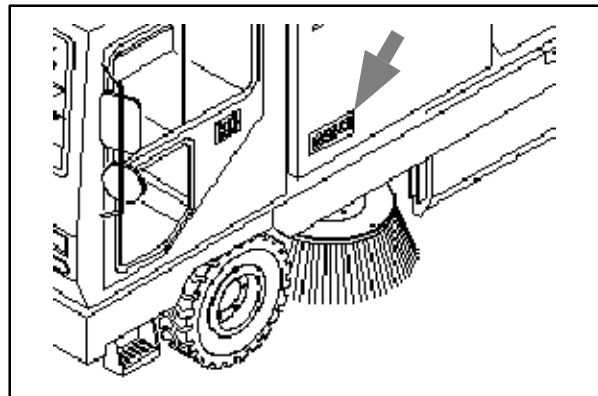
- Find important machine information for ordering correct repair parts.
- Find TENNANT part numbers.
- Order TENNANT parts and supplies.

IMPORTANT INFORMATION

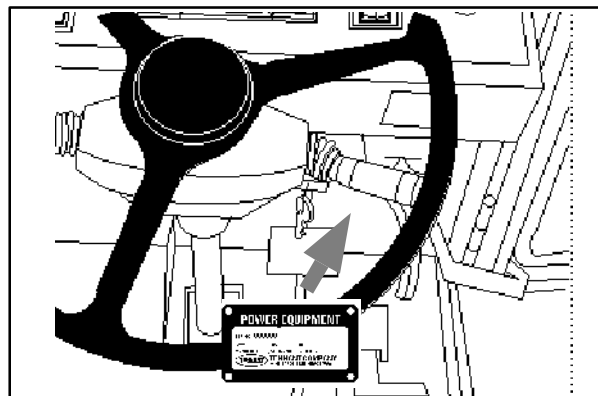
When placing an order for parts, the machine model and machine serial number are important. Refer to the *MACHINE DATA* box which is filled out during the installation of your machine. The *MACHINE DATA* box is located on the inside of the front cover of this manual.

MACHINE DATA	
<i>Please fill out at time of installation for future reference.</i>	
Machine Model Number -	830-II
Machine Serial Number -	_____
Machine Options -	_____
TENNANT Representative/phone no. -	_____
Customer ID Number -	_____
Date of Installation -	_____
Manual Number -	330430
Revision:	00
Published:	6-98

The model number of your machine is on the side of the machine.



The serial number of your machine is printed on the machine data plate located as shown.



HOW TO USE THIS MANUAL

FINDING A TENNANT PART NUMBER

This manual contains the following sections:

- HOW TO USE THIS MANUAL
- STANDARD PARTS
- OPTIONS
- BREAKDOWNS
- ENGINE BREAKDOWNS
- CROSS REFERENCE

The STANDARD PARTS section lists repair parts for standard machines. They are grouped in this general order:

- General wear parts.
- Machine frame and related parts.
- Machine propelling system.
- Scrubbing components.
- Electrical parts.

The OPTION section lists repair parts of options.

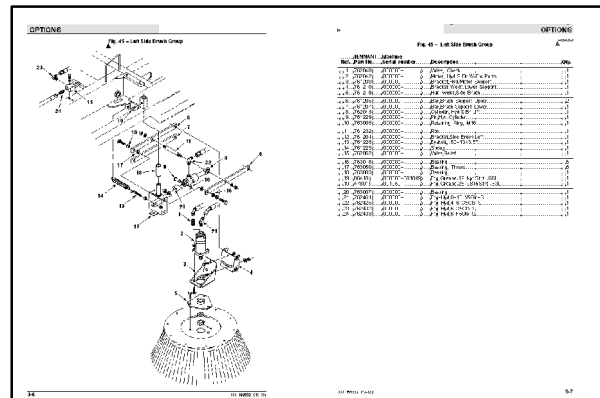
The BREAKDOWN section lists available repair parts of major components.

All sections in this manual consist of parts illustrations and corresponding parts lists.

The parts illustrations are numbered with **Ref** numbers which refer to corresponding parts lists.

The parts lists include a number of columns of information:

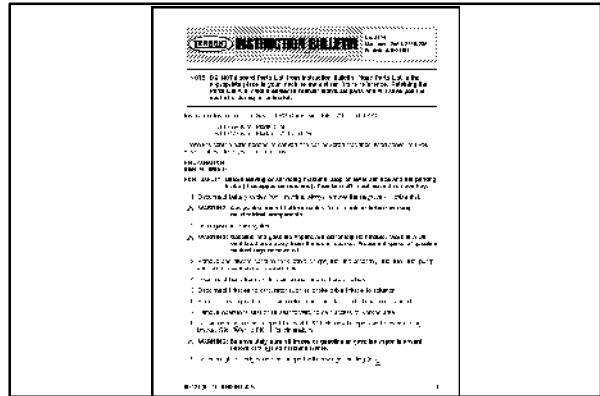
- **Ref** - column refers to the reference number on the parts illustration.
- ▽ - indicates the part is an assembly.
- ▲ - indicates the part is included in the assembly listed just before it.
- **TENNANT Part No.** - column lists the TENNANT part number for the part.
- **Serial Number** - column indicates the set of machines the part number is applicable to. Serial numbers change when the machine design has been modified. The most current design of the machine is shown in the main illustration, older designs are boxed in a corner of the illustration.
- **Description** - column is a brief description of the part.
- **Qty.** - column lists the quantity of that part used in that area of the machine.



Key	TENNANT Part No.	Machine Serial Number	Description	Qty.
▽ 1	87555	Q000CO	Gearbox	1
▲ 2	87640	Q000CO	G-ring	2
▲ 3	87641	Q000CO	Plug	1
▲ 4	87639	Q000CO	Fitting, Grease	1
▲ 5	87640	Q000CO	Gear, Driving	1
▲ 6	12640	Q000CO	Bolt, Wheel	5
▲ 7	61791	Q000CO	Bearing and Housing Assembly	1
▲ 8	12640	Q000CO	Seal, O-Ring	1
9	31592	Q000CO-C02C17	See Breakdowns! Replacement Kit Motor For 86356	1
9	63196	Q02018	Motor (See Breakdowns)	1
10	02C76	Q000CO	Cover, Terminal	4
11	09C00	Q000CO	Screw, Socket	2
12	09294	Q000CO	Screw, Socket	1
13	85270	Q000CO	Tire and Wheel Assembly	1
14	45C27A	Q000CO	Tire, Solid	1
1E	87760	Q000CO	Nut, Wheel	5
1E	53655	Q000CO	Bumper, Rubber	2
17	51E24	Q000CO	Nut, Hex, Thin	1

NOTE: If a service kit is installed on your machine, be sure to keep the INSTRUCTION BULLETIN which came with the kit. It contains repair parts numbers needed for ordering future parts.

NOTE: Fasteners used in this machine may be metric or non-metric. Take care when replacing hardware to replace with same thread size.



PLACING AN ORDER

Orders may be placed by phone, fax, or by mail. Phone orders may need written confirmation. Follow the steps below to insure prompt delivery:

1. Identify the model number of your machine.
2. Identify the serial number of your machine.
3. Find the part number of the part you need. Do not order by page number or reference number. If you are not able to find the part number, call your TENNANT representative for help or send the old part as a sample.
4. Determine the quantity of the part you need.
5. Provide the following company information:
 - Company name
 - Customer ID Number
 - Shipping address
 - Billing address
 - First and last name of person ordering parts
 - Telephone number
 - Purchase order number
6. Provide definitive shipping instructions.

HOW TO USE THIS MANUAL

Any claim for loss or damage to a shipment in transit should be filed promptly with the transportation company making the delivery. Shipments will be complete unless the packing list or order acknowledgement indicates items back ordered.

If parts received are suspected to be incorrect or defective, please contact the TENNANT representative from whom you ordered the part. They will give authorization for return and/or handle replacement shipments when required.

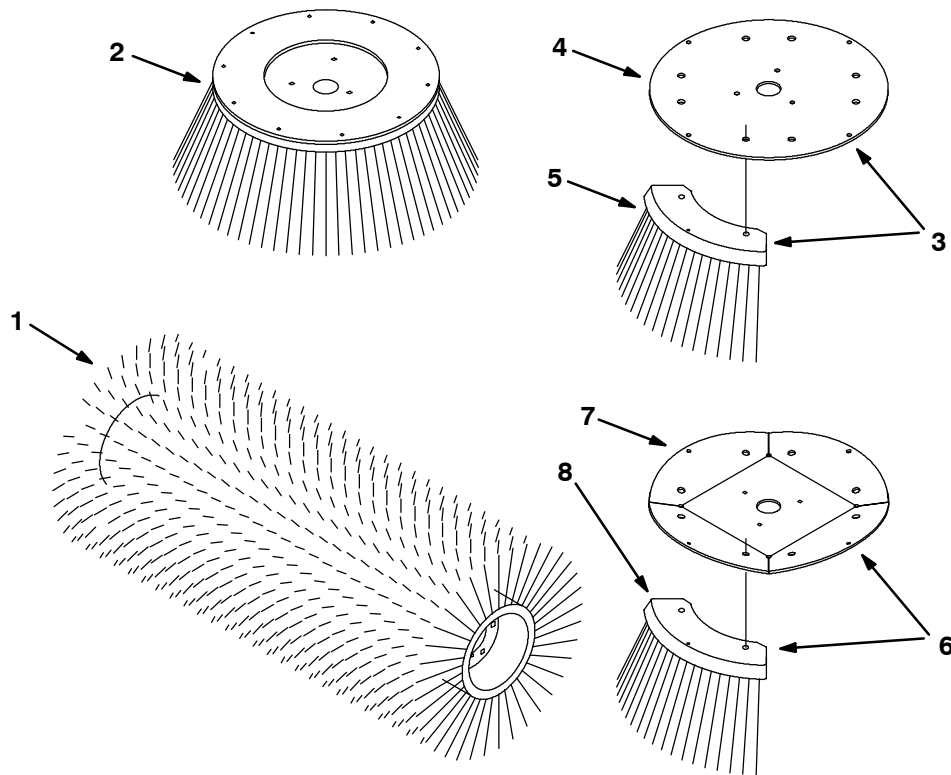
SECTION 2

Contents	Page	Contents	Page
Fig. 1 - Recommended General Maintenance Items	2-2	Fig. 43 - Instrument Panel Assembly	2-124
Fig. 2 - Replacement Brushes	2-3	Fig. 44 - Steering Wheel Group	2-126
Fig. 3 - Main Frame Group	2-4	Fig. 45 - Right Side Brush Group	2-128
Fig. 4 - Right Brush Door Group	2-6	Fig. 46 - Hydraulic Schematic	2-131
Fig. 5 - Left Brush Door Group	2-8	Fig. 47 - Hydraulic Hose Group (000000-004521)	2-137
Fig. 6 - Rear Axle Group	2-10	Fig. 48 - Hydraulic Reservoir Group	2-144
Fig. 7 - Front Axle And Transmission Group ..	2-12	Fig. 49 - Hydraulic Pumps Group	2-146
Fig. 8 - Front Brake Cable And Lines Group (000000-003969)	2-14	Fig. 50 - Hydraulic Conveyor Lift Control Valve Group	2-148
Fig. 9 - Front Brake Cable And Lines Group (003970-)	2-16	Fig. 51 - Hydraulic Hopper Control Valve Group	2-150
Fig. 10 - Main Brush Group	2-18	Fig. 52 - Hydraulic Brush Control Valve Group	2-152
Fig. 11 - Main Brush Lift Group	2-20	Fig. 53 - Hydraulic Steering and Brake Valve Group	2-154
Fig. 12 - Engine And Mount Group	2-22	Fig. 54 - Water Spray Group	2-156
Fig. 13 - Fuel Tank & Lines Group	2-24	Fig. 55 - Dry Dust Control Group	2-158
Fig. 14 - Radiator And Hydraulic Cooler Group .	2-26	Fig. 56 - Labels Group	2-160
Fig. 15 - Muffler Group	2-28		
Fig. 16 - Air Cleaner Group (Standard Engine) .	2-30		
Fig. 17 - Air Cleaner Group (Waste Gated Turbo Engine)	2-32		
Fig. 18 - Battery and Cables Group	2-34		
Fig. 19 - Conveyor And Skirts Group	2-36		
Fig. 20 - Conveyor Drive Group	2-38		
Fig. 21 - Right Conveyor Lift Group	2-40		
Fig. 22 - Left Conveyor Lift Group	2-42		
Fig. 23 - Hopper Group	2-44		
Fig. 24 - Hopper Filter Bags Group	2-46		
Fig. 25 - Hopper Tilt Cylinders Group	2-48		
Fig. 26 - Hopper Support Cylinder Group	2-50		
Fig. 27 - Vacuum Fan Group	2-52		
Fig. 28 - Electrical Schematic (000000-003706) .	2-54		
Fig. 29 - Wire Harnesses Group (000000-003706)	2-61		
Fig. 30 - Electrical Schematic (003707-) ..	2-78		
Fig. 31 - Wire Harnesses Group (003707-)	2-84		
Fig. 32 - Front Cab Group	2-102		
Fig. 33 - Left Cab Group	2-104		
Fig. 34 - Right Cab Group	2-106		
Fig. 35 - Left Cab Door Group	2-108		
Fig. 36 - Right Cab Door Group	2-110		
Fig. 37 - Cab Insulation and Seat Belt Group .	2-112		
Fig. 38 - Cab Console and Covers Group	2-114		
Fig. 39 - Cab Instruments and Controls Group	2-116		
Fig. 40 - Cab Lights, Visor, and Pedal Group ..	2-118		
Fig. 41 - Cab Heater Group	2-120		
Fig. 42 - Blower Assembly	2-122		

Fig. 1 - Recommended General Maintenance Items

Ref.	TENNANT Part No.	Machine Serial Number	Description	Qty.
	767013	(000000-) Filter Element,Hyd.Spin On	1
	762220	(000000-) Tee, Water Spray (Wet Dust Control)	1
	762221	(000000-) Nozzle, Water Spray (Wet Dust Control)	2
	762234	(000000-) Cap, Spray Nozzle (Wet Dust Control)	2
	764018	(000000-) Filter,Fuel	1
	52770-5	(000000-) Filter Element,Oil (Standard Engine)	1
	68986	(000000-) Filter Element,Oil (Turbo Engine)	1
	764131	(000000-) Filter Element,Air Donaldson (Standard Engine)	1
	764190	(000000-) Filter Element,Air Donaldson (Turbo Engine)	1
	760098	(000000-) Plug And Cap Kit, Hyd Ftg	1
	760099	(000000-) O-Ring Kit, Seal Lok	1
	761810	(000000-) Paint, Touch-up, Off-White, 12 oz.	1
	761811	(000000-) Paint, Touch-up, Blue-Green, 12 oz.	1
	65870-5	(000000-) Fluid, Hyd Oil, Lo Tp 5 Gal.	1
	767766	(000000-) 424 Oil, Brakes, 2.5 Gal.	1
	764260	(000000-) Skirt Kit, Front (With 5 U-Nuts) (Dry Dust Control)	1
	764261	(000000-) Skirt Kit, S. B. (1 Per Side With 5 U-Nuts) (Dry Dust Control)	1
	768089	(000000-) Skirt, Dust Containment (1 Per Side With 2 U-Nuts) (Dry Dust Control)	2
	760749	(000000-) Strip, Rubber Paddle	11
	760897	(000000-) Skirt, Conveyor Lip	1
	760882	(000000-) Skirt, Conveyor Side	2
	765845	(000000-) Guide, Conveyor Chain	4
	760837	(000000-) Skirt, Side Deflectors	2
	761117	(000000-) Skirt, Dust, Rear	1
	761158	(000000-) Seal, Brush Door	2
	86385	(000000-) Grease, Anti-Corrosion Electrical	1
	761501	(000000-) Filter Bag Lifting Kit	1
	769657	(000000-) Filter, Cab Air Intake	1
	760914	(000000-) Pin, Kit Connecting 1.654	1
	760915	(000000-) Attachment, Repair Kit 1.654	1

Fig. 2 - Replacement Brushes



351955

Ref.	TENNANT Part No.	Machine Serial Number	Description	Qty.	
1	761126	(000000-) Brush-Main Sweep,51Lg Strp Poly	1	
2	761211	(000000-) Brush-Side Sweep 32D Poly&Wire, Side	1	
2	761213	(000000-) Brush-Side Sweep -32D Flatwire, Side	1	
2	761238	(000000-) Brush-Side Sweep -32D Poly, Side	1	
2	761239	(000000-) Brush-Side Sweep -38D Poly, Vario	1	
2	761372	(000000-) Brush-Side Sweep-38D Poly&Wire, Vario	1	
▽	3	768031	(000000-) Brush Kit, Segmented -32 D-Poly	1
▲	4	768025	(000000-) Plate, Side Brush	1
▲	5	768028	(000000-) Brush-Side Swp, 4 Segments-Poly	1
▲▲		760107	(000000-) Kit, Side Brush Spring	1
▲▲		769590	(000000-) Kit, Ci, Linkage, Brush, Side	1
▽	3	768032	(000000-) Brush Kit, Segmented -32 D-Flatwire	1
▲	4	768025	(000000-) Plate, Side Brush	1
▲	5	768029	(000000-) Brush-Side Swp, 4 Segments-Flatwire	1
▲▲		760107	(000000-) Kit, Side Brush Spring	1
▲▲		769590	(000000-) Kit, Ci, Linkage, Brush, Side	1
▽	3	768033	(000000-) Brush Kit, Segmented -32 D-Poly&Wire	1
▲	4	768025	(000000-) Plate, Side Brush	1
▲	5	768030	(000000-) Brush-Side Swp, 4 Segments-Poly&Wire	1
▲▲		760107	(000000-) Kit, Side Brush Spring	1
▲▲		769590	(000000-) Kit, Ci, Linkage, Brush, Side	1
▽	6	768034	(000000-) Brush Kit, Segmented -38 D-Poly	1
▲	7	768026	(000000-) Plate, Front Brush/Vario	1
▲	8	768028	(000000-) Brush-Side Swp, 4 Segments-Poly	1
▽	6	768036	(000000-) Brush Kit, Segmented -38 D-Poly&Wire	1
▲	7	768026	(000000-) Plate, Front Brush/Vario	1
▲	8	768030	(000000-) Brush-Side Swp, 4 Segments-Poly&wire	1

Fig. 3 - Main Frame Group

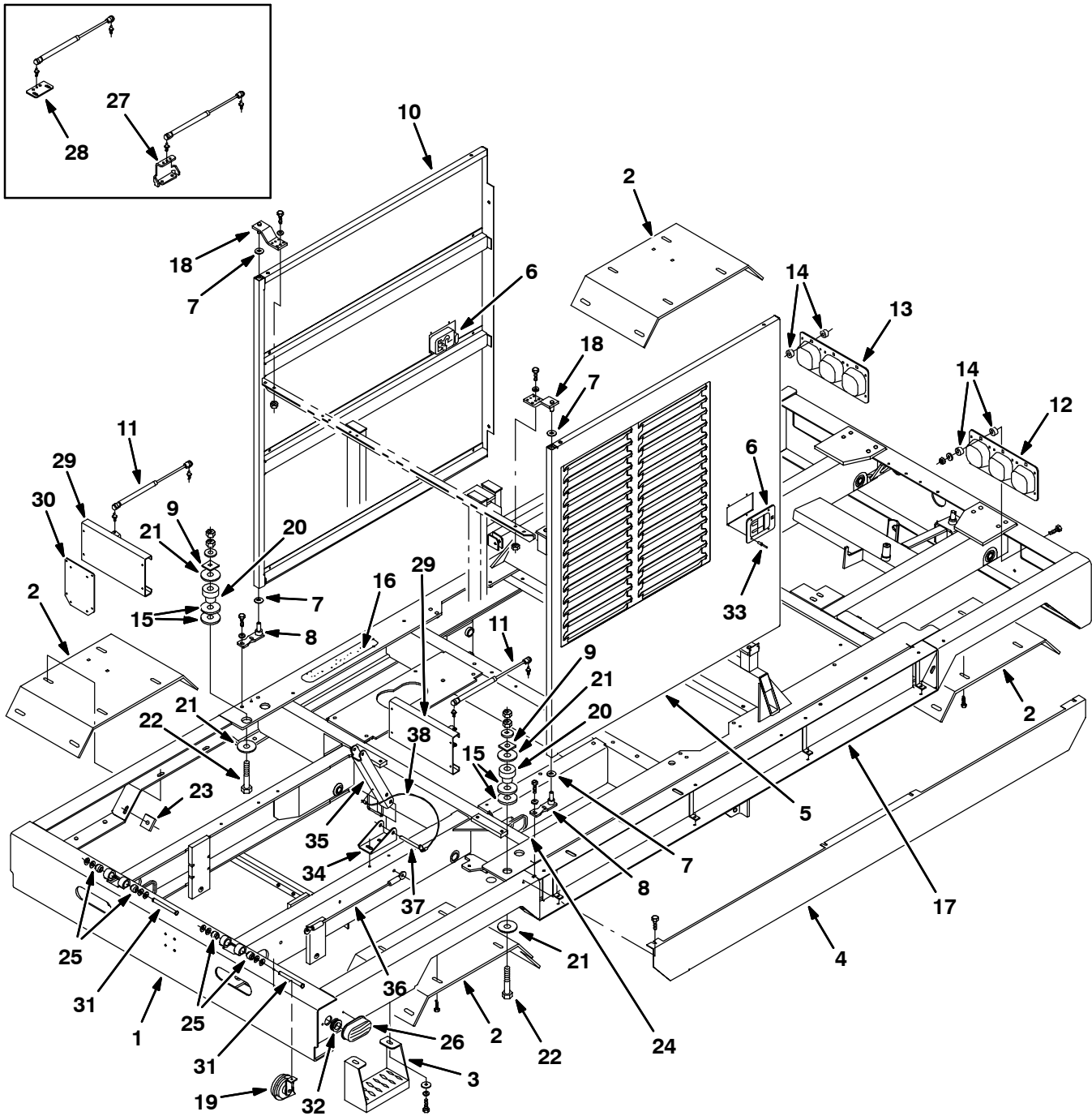


Fig. 3 - Main Frame Group

Ref.	TENNANT Part No.	Machine Serial Number	Description	Qty.	
1	765300	(000000-) Frame Wldt	1	
2	760357	(000000-) Fender	4	
3	765360	(000000-) Step Wldt	2	
4	765363	(000000-) Cover, Side Frame, Lh	1	
▽	5	766935	(000000-003144) Kit, Engine Door Lh	1	
▽	5	766930	(003145-) Door, Engine, Lh	1
▽	6	761956	(000000-) Latch,Eng.Door	2
▲	761957	(000000-) Key, Engine Door	2	
7	761044	(000000-) Bushing, Engine Door Hinge	4	
8	761043	(000000-) Pin, Hinge, Lower	2	
9	761093	(000000-) Pad,Cab Mount	2	
▽	10	766945	(000000-003144) Kit, Engine Door Rh	1	
▽	10	766940	(003145-) Door, Engine, Rh	1
11	766980	(000000-) Gas Spring	2	
▽	12	768620	(000000-) Taillight, Lh w/Connector	1
▲	762587	(000000-) Gasket, Taillight	3	
▲	45779	(000000-) Bulb, GE (Signal/tail)	2	
▲	45780	(000000-) Bulb, GE (Brake/backup)	1	
▽	13	768619	(000000-) Taillight, Rh w/Connector	1
▲	762587	(000000-) Gasket, Taillight	3	
▲	45779	(000000-) Bulb, GE (signal/tail)	2	
▲	45780	(000000-) Bulb, GE (Brake/backup)	1	
14	762573	(000000-) Isolator, Taillight	12	
15	768487	(000000-) Washer	4	
16	75430	(000000-) Pad, Tread	1	
17	760395	(000000-) Retainer, Hoses	4	
18	766966	(000000-) Pin, Hinge, Upper	2	
19	369704	(000000-) Horn, 12V	1	
20	764016	(000000-) Isolator, Cab, Rear	2	
21	764073	(000000-) Washer, Special	4	
22	763083	(000000-) Bolt Weldt.	2	
23	763126	(000000-) U-Nut, 10mmx1.25x0.75in	16	
24	761237	(000000-) Molding, Rigid	4	
25	765307	(000000-) Bushing	4	
26	768614	(000000-) Lamp, Assy., Side Marker	2	
27	766977	(000000-003144)	L.H. Bracket	1	
28	766979	(000000-003144)	R.H. Bracket	1	
29	766987	(003145-) Door Limiter	2	
30	766984	(003145-) Plate	1	
31	51538	(000000-) Clevis Pin	2	
32	765391	(000000-) Grommet	2	
33	60428	(000000-) Pivot	8	
34	768411	(000000-) Bracket	1	
35	768410	(000000-) Channel	1	
36	768412	(000000-) Cable	1	
37	768413	(000000-) Pin	1	
38	57702	(000000-) Cable	1	

Fig. 4 - Right Brush Door Group

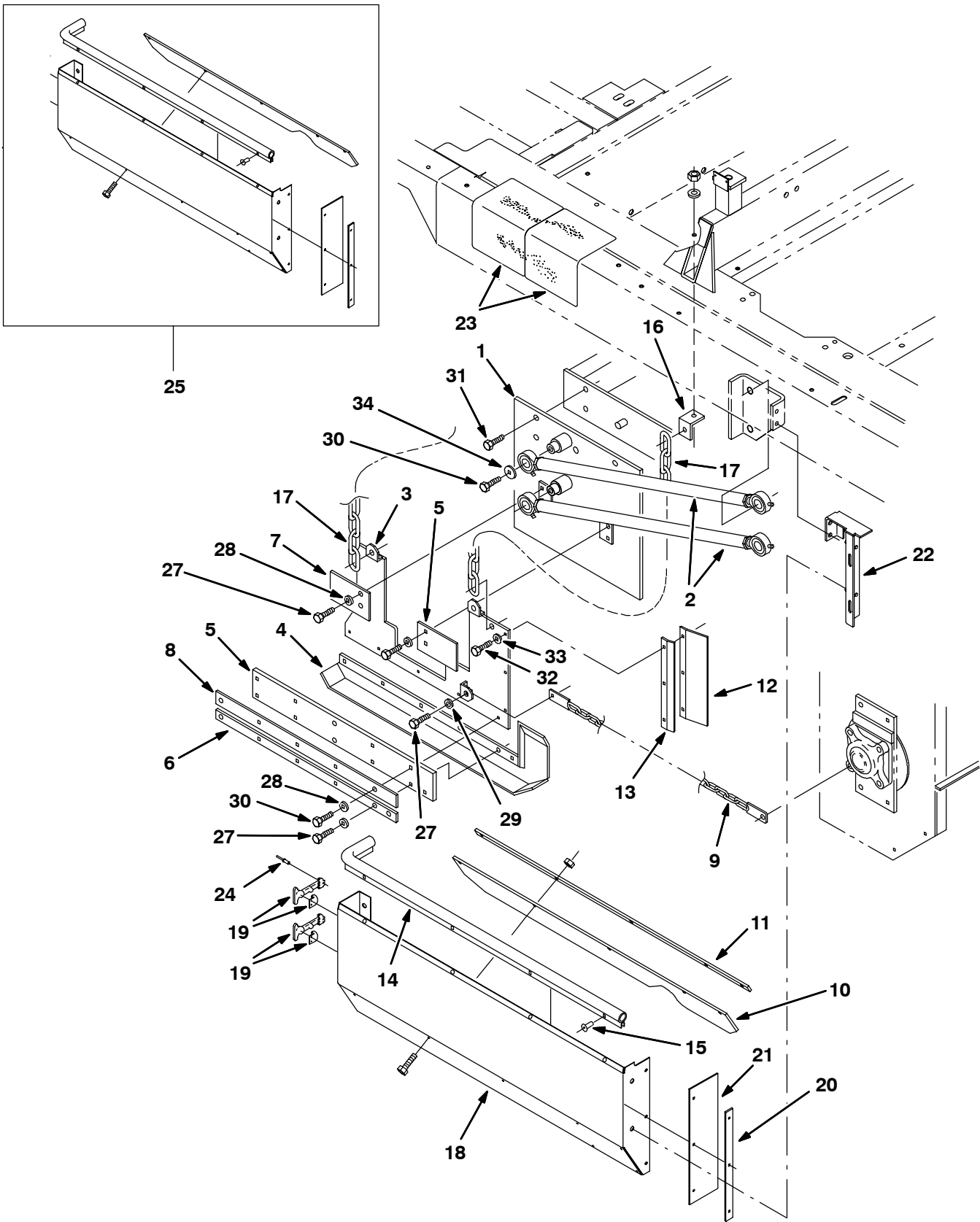


Fig. 4 - Right Brush Door Group

Ref.	TENNANT Part No.	Machine Serial Number	Description	Qty.	
1	761114	(000000-) Plate Wldt, Cage, Rh	1	
2	768009	(000000-) Rod Link, Brush Support Adj	2	
3	768205	(000000-) Plate Wldt, Support, Side, Rh	1	
▽	4	768222	(000000-) Skid Kit, Carbide, Rh & Lh	1
▲	768207	(000000-) Skid Weld't, Carbide Rh	1	
▲	768202	(000000-) Skid Weld't, Carbide Lh	1	
▲	5	768209	(000000-) Cushion, Side Skids	1
▲	6	768210	(000000-) Strip, Retainer Skirt	1
7	761106	(000000-) Plate, Brush Guide	2	
8	768211	(000000-) Strip, Retainer, Upper	1	
9	761170	(000000-) Chain, Brush, Cage	1	
10	761158	(000000-) Seal, Brush Door	1	
11	760208	(000000-) Retainer, Side Skirt, Brushdoor	1	
12	761121	(000000-) Seal, Vertical	1	
13	761120	(000000-) Strip, Retainer, Vertical	2	
14	760205	(000000-) Seal, Brush Door	1	
15	763075	(000000-) Rivet, Pop .156Dx.710x.312Dhd	5	
16	761124	(000000-) Angle, Skid Chain	2	
17	761125	(000000-) Chain, 2/0 13 Links	2	
18	768043	(003436-) Door, Brush, Rh	1	
19	761179	(000000-) T-Handle, Latch 5"	2	
20	764256	(000000-) Retainer	1	
21	768099	(000000-) Seal	1	
22	765336	(000000-) Support Wldt, Door Rh	1	
23	19895	(000000-) Mat, Floor	2	
24	60428	(000000-) Rivet	8	
25	768041	(000000-003435) Replacement Kit, Door, Brush Rh	1	
26	47801	(000000-) Fitting, Grease, Str Pm04 .63l	4	
27	39277	(000000-) Screw, Hex, M 8 X 1.25 X 25	10	
28	763041	(000000-) Washer, Belleville, M08	14	
29	32490	(000000-) Washer, Flat, 0.25 Std	1	
30	16931	(000000-) Screw, Hex, M 8 X 1.25 X 20	7	
31	76570	(000000-) Screw, Hex, M 8 X 1.25 X 30	2	
32	06943	(000000-) Screw, Hex, M 6 X 1.0 X 20	3	
33	763040	(000000-) Washer, Belleville, M06	3	
34	39890	(000000-) Washer, Flat, M08 Fender	2	

Fig. 5 - Left Brush Door Group

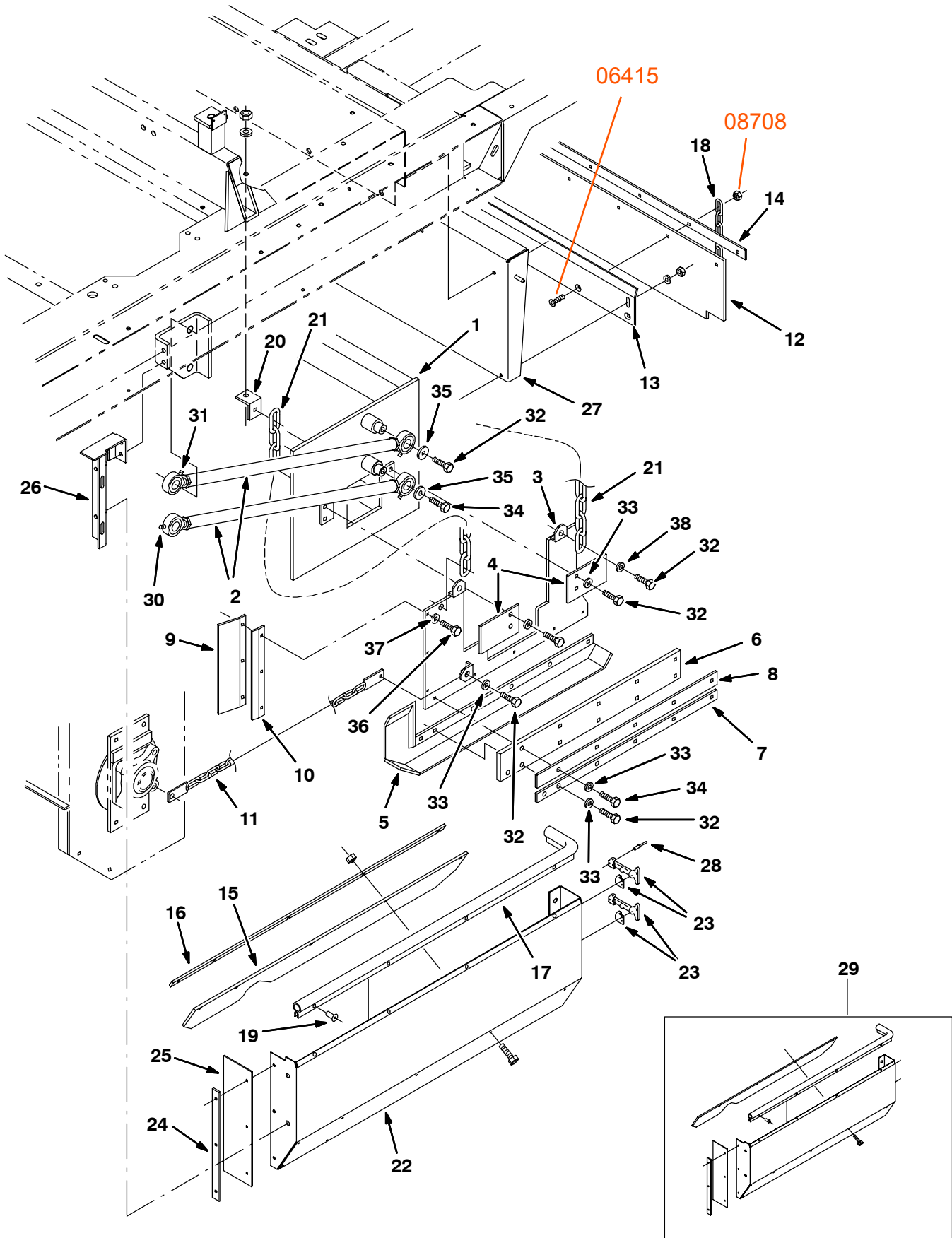


Fig. 5 - Left Brush Door Group

Ref.	TENNANT Part No.	Machine Serial Number	Description	Qty.	
1	761104	(000000-) Cage Wldt, Support, Brush	1	
2	768009	(000000-) Rod Link, Brush Support Adj	2	
3	768200	(000000-) Plate Wldt, Support, Side, Lh	1	
4	761106	(000000-) Plate, Brush Guide	2	
▽	5	768222	(000000-) Skid Kit, Carbide, Rh & Lh	1
▲		768202	(000000-) Skid Weld't, Carbide Lh	1
▲		768207	(000000-) Skid Weld't, Carbide Rh	1
▲	6	768209	(000000-) Cushion,Side Skids	1
▲	7	768210	(000000-) Strip, Retainer Skirt	1
	8	768211	(000000-) Strip, Retainer, Upper	1
	9	761121	(000000-) Seal, Vertical	1
	10	761120	(000000-) Strip, Retainer, Vertical	2
	11	761170	(000000-) Chain, Brush, Cage	1
	12	761117	(000000-) Skirt, Rear Dust	1
	13	761118	(000000-) Bracket, Retainer, Rear	1
	14	761119	(000000-) Strip, Retainer, Vertical	1
	15	761158	(000000-) Seal, Brush, Door	1
	16	760208	(000000-) Retainer, Side Skirt,Brushdoor	1
	17	760205	(000000-) Seal,Brush Door	1
	18	48183	(000000-) Chain,Link#2/0,11Links,Zinc Pl	1
	19	763075	(000000-) Rivet, Pop .156Dx.710x.312Dhd	5
	20	761124	(000000-) Angle, Skid Chain	2
	21	761125	(000000-) Chain, 2/0 13 Links	2
	22	768042	(003436-) Door, Brush Lh	1
	23	761179	(000000-) T-Handle, Latch 5"	2
	24	764256	(000000-) Retainer	1
	25	768099	(000000-) Seal	1
	26	765335	(000000-) Support Wldt, Brush Door Lh	1
	27	765322	(000000-) Brush Wrap	1
	28	60428	(000000-) Rivet	8
	29	768040	(000000-003435) Replacement Kit, Door, Brush Lh	1
	30	47801	(000000-) Fitting, Grease, Str Pm04 .63l	2
	31	09718	(000000-) Fitting, Grease, E90 Pm04 .75l	2
	32	39277	(000000-) Screw, Hex, M 8 X 1.25 X 25	13
	33	763041	(000000-) Washer, Belleville, M08	11
	34	16931	(000000-) Screw, Hex, M 8 X 1.25 X 20	6
	35	39890	(000000-) Washer, Flat, M08 Fender	4
	36	06943	(000000-) Screw, Hex, M 6 X 1.0 X 20	3
	37	763040	(000000-) Washer, Belleville, M06	3
	38	32490	(000000-) Washer, Flat, 0.25 Std	2

Fig. 6 - Rear Axle Group

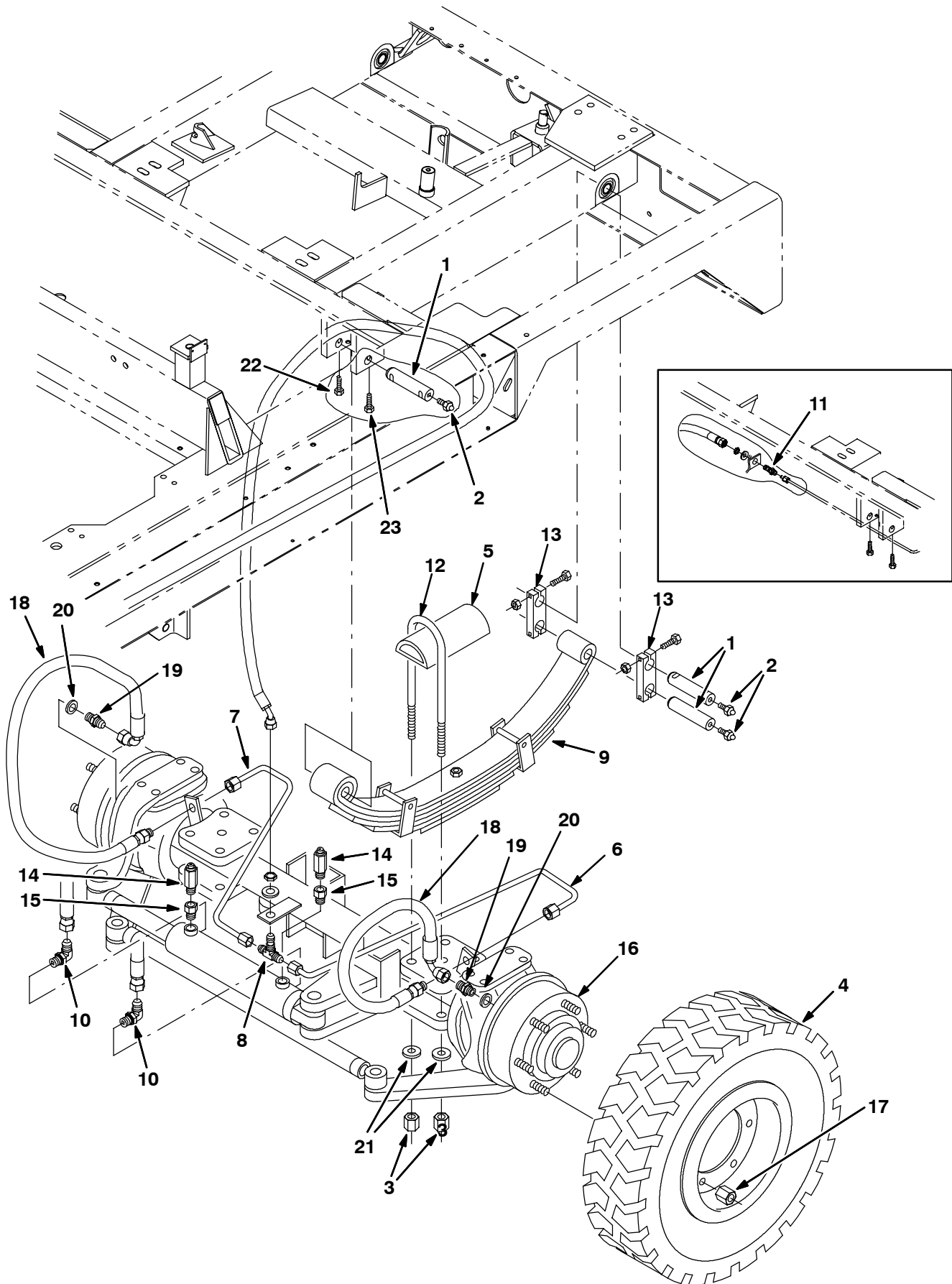


Fig. 6 - Rear Axle Group

Ref.	TENNANT Part No.	Machine Serial Number	Description	Qty.	
1	761017	(000000-) Pin, Spring	6	
2	06418	(000000-) Ftg, Grease.12 Npt Strt .66L	6	
3	761010	(000000-) Nut, Special U-Bolt, .75 Deep	8	
▽	4	761011	(000000-) Tire & Rim Assy, (Bias Ply)	2
▲	761012	(000000-) Wheel	1	
▲	761013	(000000-) Tire,7.00X12 Hd Rib Lug, (Bias Ply)	1	
▲	761014	(000000-) Tube,Tire 7.00X12, (Bias Ply)	1	
▲	57048	(000000-) Washer, 0.53b 2.13d .11, Stl, PI	1	
▽	4	761799	(000000-) Tire & Rim Assy, (Radial)	2
▲	761012	(000000-) Wheel	1	
▲	761798	(000000-) Tire,7.00X12, (Radial)	1	
▲	761014	(000000-) Innertube, 7.00 X 12, [Tr440]	1	
▲	57048	(000000-) Washer, .532 Bx2.13x.11 HR ZNC	1	
	5	761019	(000000-) Saddle, U-Bolt	2
	6	761996	(000000-) Tube, Brake, Rear, Lh	1
	7	761997	(000000-) Tube, Brake, Rear, Rh	1
	8	34392	(000000-) Ftg-Hyd Tee	1
	9	761004	(000000-) Spring, Rear Leaf	2
	10	762432	(000000-) Ftg-Hyd, E90	2
	11	761037	(000000- xxxxxx)	Ftg, Str, Bulkhead	1
	12	761005	(000000-) U-Bolt, Rear Spring	4
	13	761018	(000000-) Bar, Side Spring	4
	14	762430	(000000-) Ftg-Hyd Bleeder, 4	2
	15	762431	(000000-) Ftg-Hyd, 6	2
▽	16	767702	(000000-) Axle, Rear (See Breakdowns)	1
▲	17	761025	(000000-) Lug Nut, Flanged	12
▲	18	761995	(000000-) Hose	2
▲	19	761992	(000000-) Fitting, Brakeline	2
▲	20	761993	(000000-) Washer, Brakeline	2
	21	761020	(000000-) Washer	8
	22	21195	(000000-) Screw Hex .38-16x.75	2
	23	768872	(000000-) Screw Hex.38-16x 1.25	2

Fig. 7 - Front Axle And Transmission Group

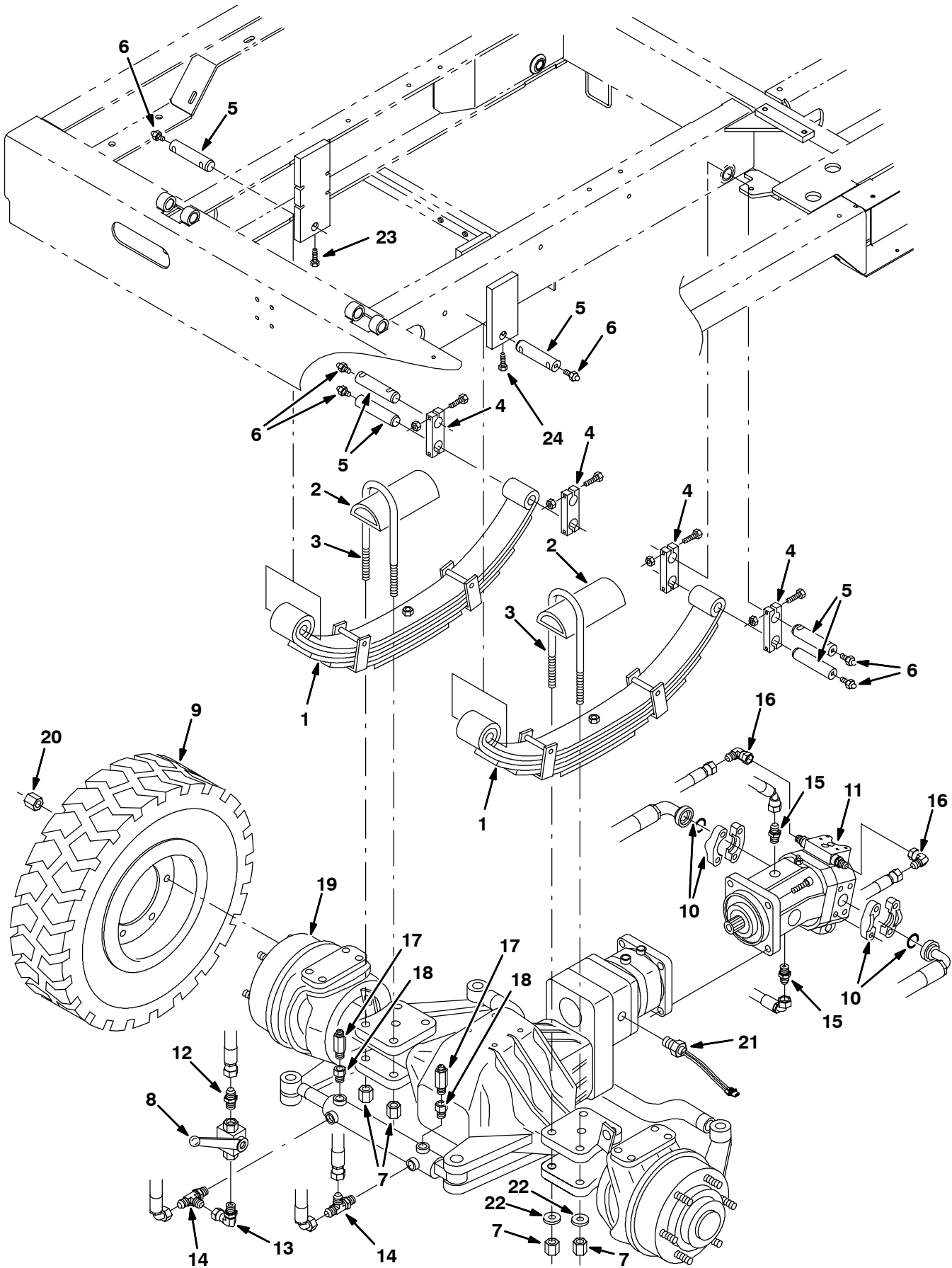


Fig. 7 - Front Axle And Transmission Group

Ref.	TENNANT Part No.	Machine Serial Number	Description	Qty.	
1	761003	(000000-004467)	Spring, Front Leaf	2	
1	770016	(004468-	Spring, Front Leaf	2	
2	761019	(000000-	Saddle, U-Bolt	2	
3	761022	(000000-004467)	U-Bolt, Front Spring	4	
3	761005	(004467-	U-Bolt, Front Spring	4	
4	761018	(000000-	Bar, Side Spring	4	
5	761017	(000000-	Pin, Spring	6	
6	06418	(000000-	Ftg, Grease.12 Npt Strt .66L	6	
7	761010	(000000-	Nut, Special U-Bolt, .75 Deep	8	
8	762007	(000000-	Valve, Ball Hycon	1	
▽	9	761011	(000000-	Tire & Rim Assy, (Bias Ply)	2
▲		761012	(000000-	Wheel	1
▲		761013	(000000-	Tire,7.00X12 Hd Rib Lug, (Bias Ply)	1
▲		761014	(000000-	Tube,Tire 7.00X12, (Bias Ply)	1
▲		57048	(000000-	Washer, .532 Bx2.13x.11 HR ZNC	1
▽	9	761799	(000000-	Tire & Rim Assy, (Radial)	2
▲		761012	(000000-	Wheel	1
▲		761798	(000000-	Tire,7.00X12, (Radial)	1
▲		761014	(000000-	Innertube, 7.00 X 12, [Tr440]	1
▲		761796	(000000-	Washer, Valve Stem Slot	1
10	762488	(000000-	Ftg-Hyd Sae Flange	2	
11	762136	(000000-	Motor, Piston, (See Breakdowns)	1	
11	376059	(000000-	Motor, Hyd, Rebuilt, F/762136, (See Breakdowns)	1	
12	762433	(000000-	Ftg-Hyd, Str	1	
13	762441	(000000-	Ftg-Hyd, E90	1	
14	762434	(000000-	Ftg-Hyd, Tee	2	
15	762109	(000000-	Fitting, Special	2	
16	762427	(000000-	Ftg-Hyd, E90	2	
17	762430	(000000-	Ftg-Hyd, Bleeder,4	2	
18	762431	(000000-	Ftg-Hyd, 6	2	
▽	19	767701	(000000-	Axle, Front (See Breakdowns)	1
▲	20	761025	(000000-	Lug Nut, Flanged	12
	21	768608	(000000-	Sensor, Speed	1
	22	761020	(000000-	Washer	8
	23	21195	(000000-	Screw Hex .38-16x.75	2
	24	768872	(000000-	Screw Hex.38-16x 1.25	2

Fig. 8 - Front Brake Cable And Lines Group (000000-003969)

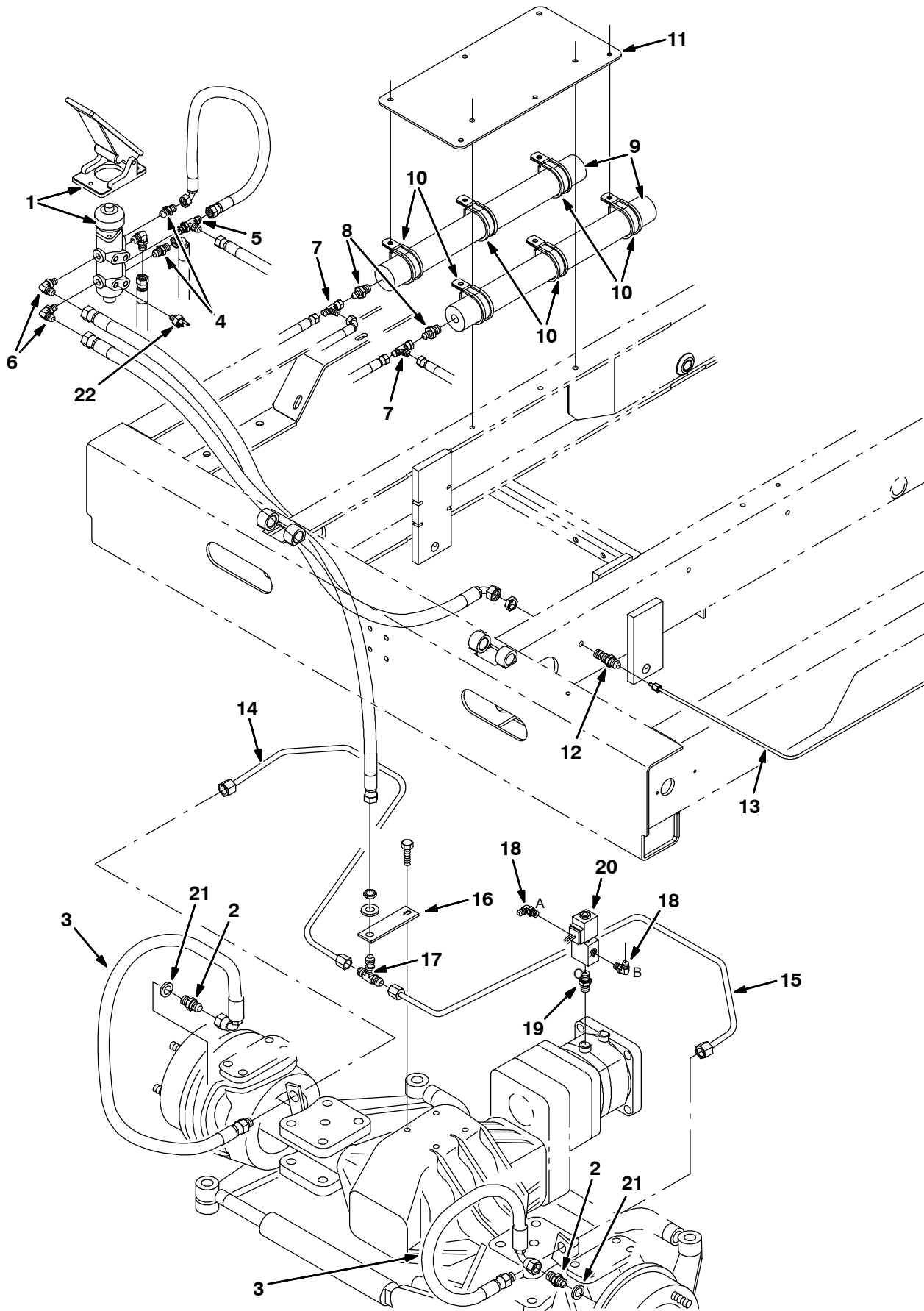


Fig. 8 - Front Brake Cable And Lines Group (000000-003969)

Ref.	TENNANT Part No.	Machine Serial Number	Description	Qty.
1	767212	(000000-003969)	Valve, Brake	1
2	761992	(000000-003969)	Fitting, Brake Line	2
3	761995	(000000-003969)	Hose	2
4	762426	(000000-003969)	Fitting, Hyd, Str	2
5	762434	(000000-003969)	Fitting, Hyd	1
6	762425	(000000-003969)	Fitting, Hyd	2
7	767422	(000000-003969)	Fitting, Hyd, Tee	2
8	767421	(000000-003969)	Fitting, Hyd, Str	2
9	767016	(000000-003969)	Accumulator, Piston	2
10	70157	(000000-003969)	Clamp, Cable	6
11	767025	(000000-003969)	Plate, Accumulator	1
12	761037	(000000-003969)	Fitting, Str, Bkhd	1
13	765366	(000000-003969)	Brakeline	1
14	761998	(000000-003969)	Tube, Brake,Front, Rh	1
15	761999	(000000-003969)	Tube, Brake Front, Lh	1
16	766031	(000000-003969)	Plate, Hyd Line	1
17	34392	(000000-003969)	Fitting, Hyd, Tee	1
18	762427	(000000-003969)	Fitting, Hyd, Elbow	2
19	767423	(000000-003969)	Fitting, Hyd, Str	1
20	767207	(000000-003969)	Valve, Hyd Cntrl Sol (See Breakdowns)	1
21	761993	(000000-003969)	Washer	2
22	13959	(000000-003969)	Switch, Brakelight	1

Fig. 9 - Front Brake Cable And Lines Group (003970-)

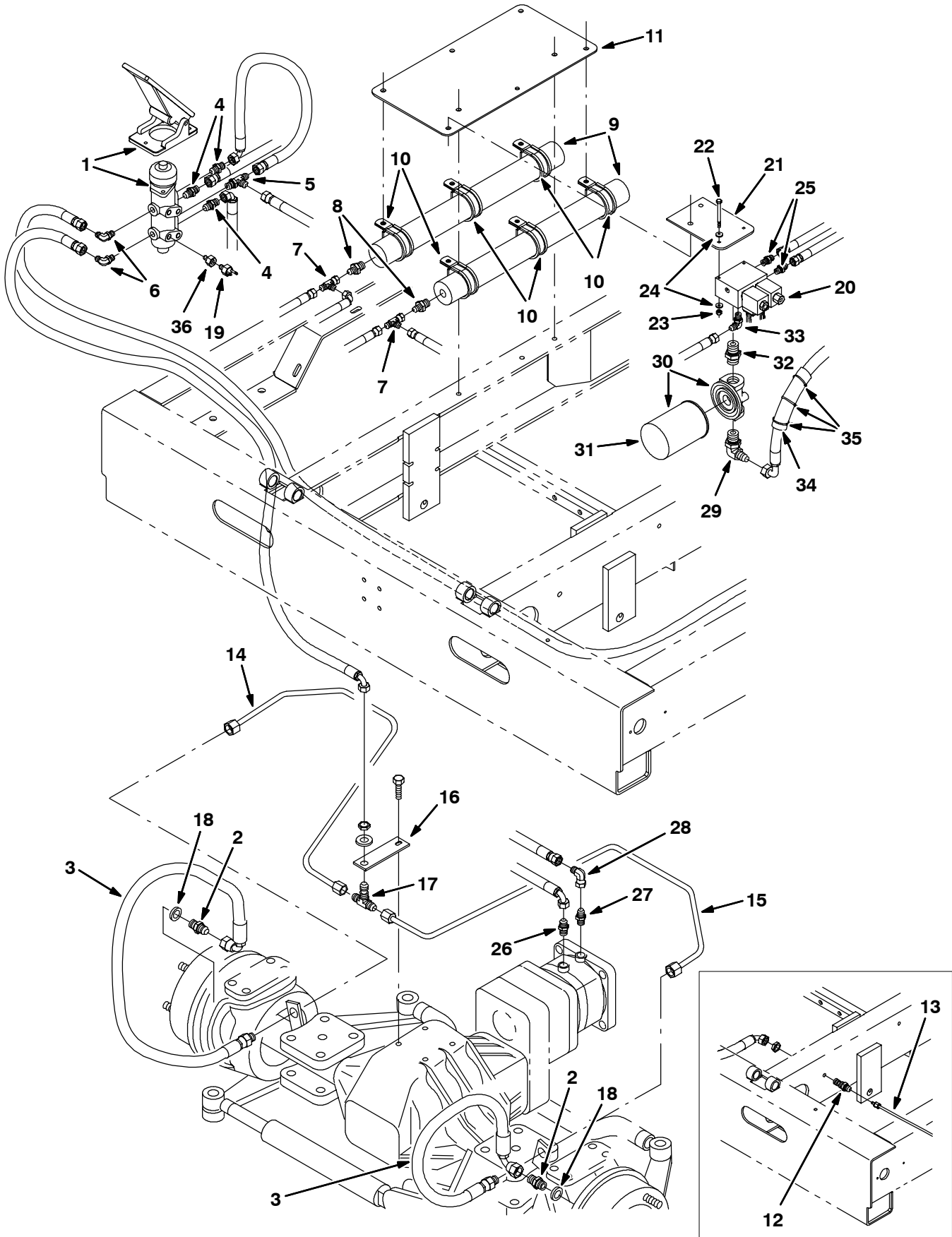


Fig. 9 - Front Brake Cable And Lines Group (003970-)

Ref.	TENNANT Part No.	Machine Serial Number	Description	Qty.
1	767212	(003970-) Valve, Brake	1
2	761992	(003970-) Fitting, Brake Line	2
3	761995	(003970-) Hose	2
4	762426	(003970-) Fitting, Hyd, Str	3
5	762434	(003970-) Fitting, Hyd	1
6	762425	(003970-) Fitting, Hyd	2
7	767422	(003970-) Fitting, Hyd, Tee	2
8	767421	(003970-) Fitting, Hyd, Str	2
9	767016	(003970-) Accumulator, Piston	2
10	70157	(003970-) Clamp, Cable	6
11	767025	(003970-) Plate, Accumulator	1
12	761037	(003970- xxxxxx) Fitting, Str, Bkhd	1
13	770003	(003970- xxxxxx) Kit, Hose Hyd. Brake	1
14	761998	(003970-) Tube, Brake,Front, Rh	1
15	761999	(003970-) Tube, Brake Front, Lh	1
16	766031	(003970-) Plate, Hyd Line	1
17	34392	(003970-) Fitting, Hyd, Tee	1
18	761993	(003970-) Washer	2
19	770148	(003970-) Switch, Press, 12vdc A Spst No 0060psi	1
20	768883	(003970-) Valve, Hyd., Brake, Parking (See Breakdowns)	1
21	768887	(003970-) Plate, Valve	1
22	06950	(003970-) Screw, Hex m06	2
23	08708	(003970-) Nut, Hex m06	2
32483	24 07799	(003970-) Washer m06 .250SAE	4
25	762428	(003970-) Fitting, Hyd	2
26	762426	(003970-) Fitting, Hyd	1
27	768886	(003970-) Fitting, Hyd. Str	1
28	768884	(003970-) Fitting, Hyd. E90	1
29	762462	(003970-) Fitting, Hyd	1
30	55619	(003970-) Filter Assy.	1
31	55740	(003970-) Filter, Oil	1
32	768885	(003970-) Fitting, Hyd. Str	1
33	762427	(003970-) Fitting, Hyd. Elbow	1
34	762178	(003970-) Guard, Hose	1
35	763116	(003970-) Tie, Cable	3
36	767427	(003970-) Fitting, Hyd, Str	1

Fig. 10 - Main Brush Group

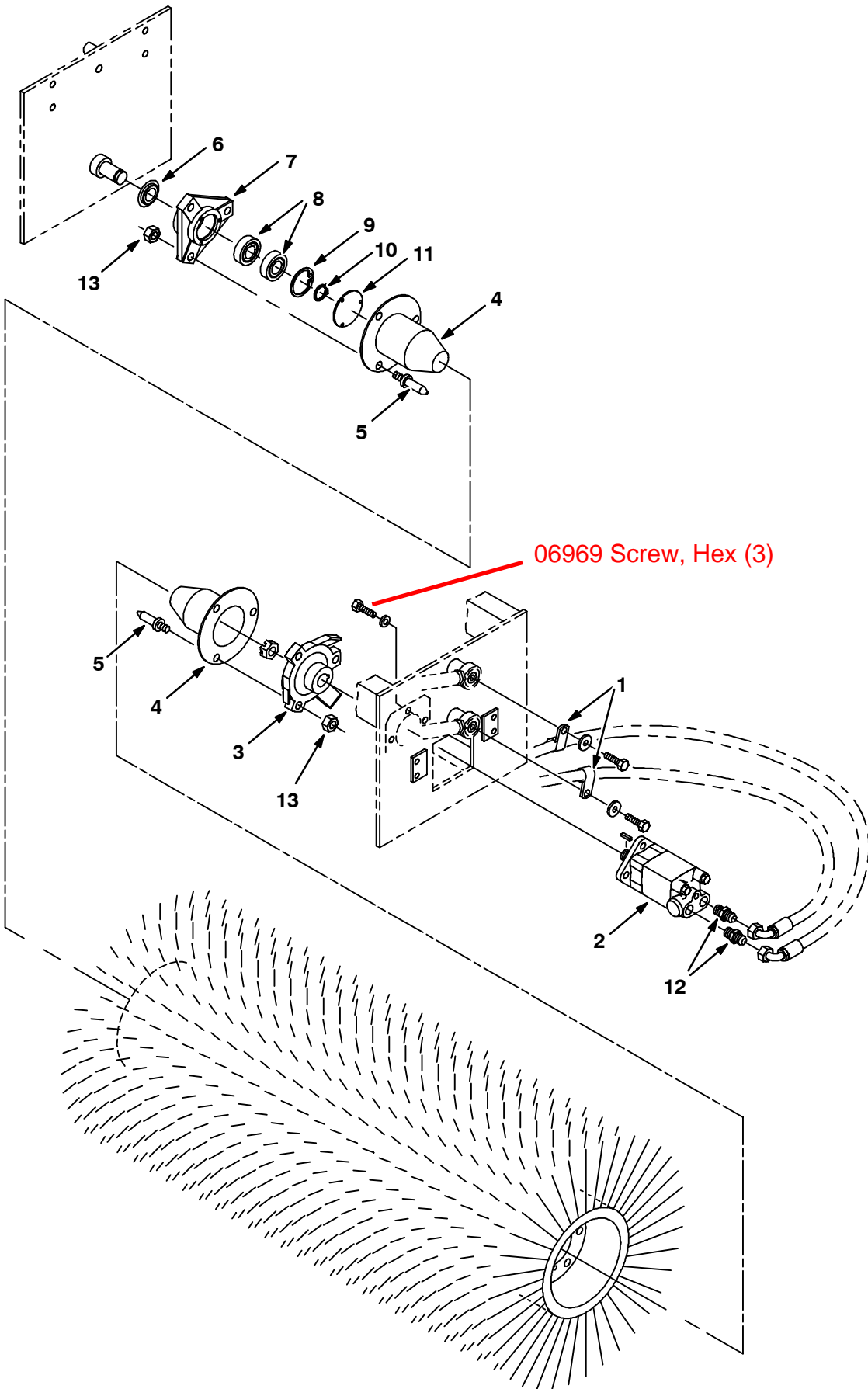


Fig. 10 - Main Brush Group

Ref.	TENNANT Part No.	Machine Serial Number	Description	Qty.
1	58366	(000000-) Clamp-Cable, 1.25Dia. 1.0Wth	2
2	762045	(000000-) Motor,Hyd Main Brush (See Breakdowns)	1
3	761141	(000000-) Plug, Brush Drive,	1
4	761131	(000000-) Plug, Brush Guide	2
5	761128	(000000-) Pin, Brush Plug	6
6	763134	(000000-) Seal, Dust	1
7	761134	(000000-) Plug, Brush Idler	1
8	360074	(000000-) Bearing	2
9	763133	(000000-) Retaining Ring, 62 Dia	1
10	763131	(000000-) Retaining Ring, 30 Dia	1
11	761130	(000000-) Plate, Lid, Brush Drive	1
12	762463	(000000-) Ftg-Hyd, Str	2
13	33342	(000000-) Nut-Hxlocnyln M16x2.0 Reg Pltd	6

Fig. 11 - Main Brush Lift Group

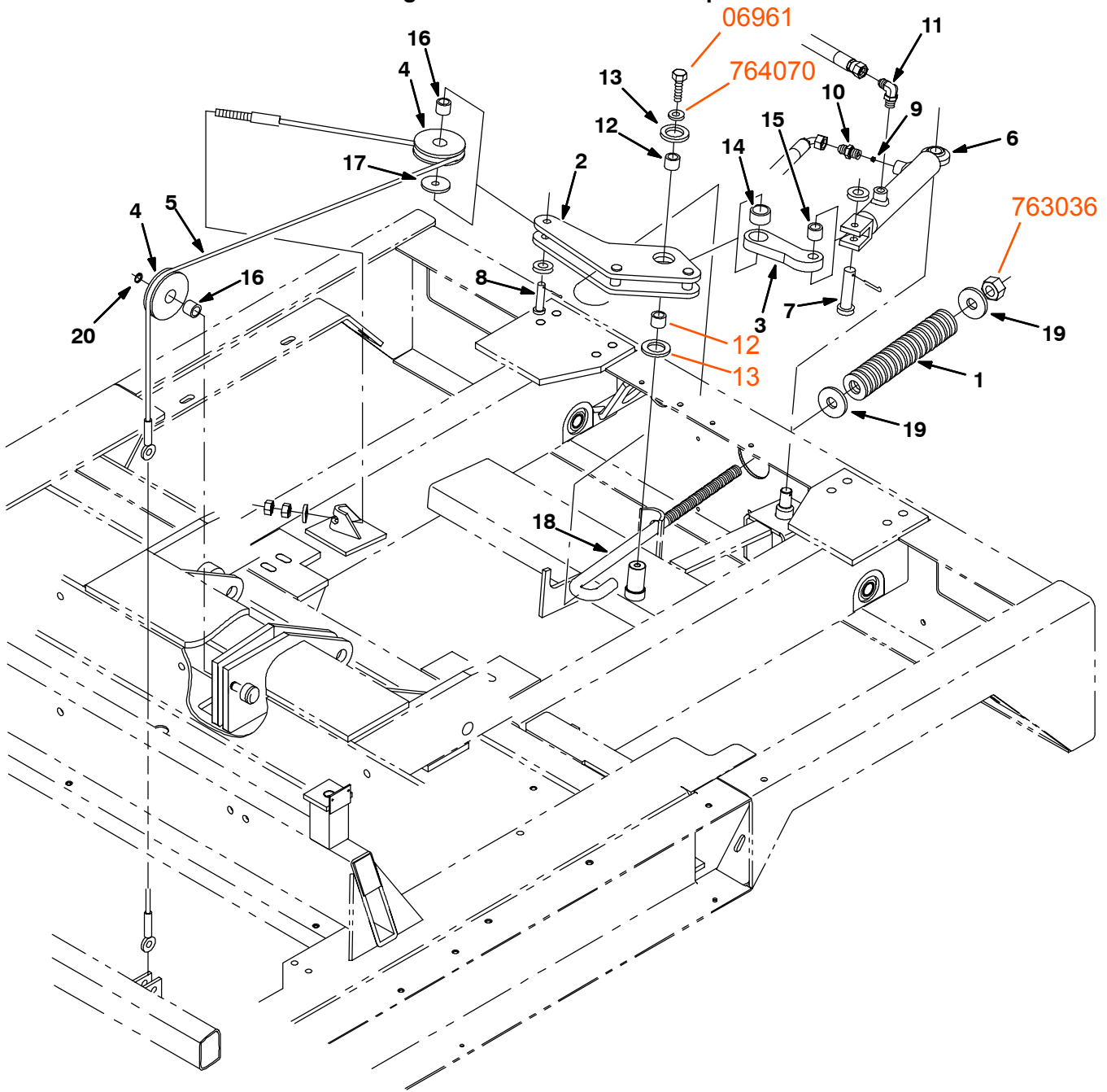


Fig. 11 - Main Brush Lift Group

Ref.	TENNANT Part No.	Machine Serial Number	Description	Qty.	
1	768014	(000000-) Spring, Brush Lift	1	
2	768019	(000000-) Arm Wldt	1	
3	765370	(000000-) Plate, Arm	1	
4	760916	(000000-) Pulley	2	
5	765488	(000000-) Cable, Brush Lift	1	
▽	6	762010	(000000-) Cylinder, Hyd Main Brush Lift	1
▲		762072	(000000-) Kit, Seal, Cyl, Hyd	1
	7	760925	(000000-) Pin, Brush Lift	1
	8	760921	(000000-) Pin, Brush Lift	1
	9	767211	(000000-) Orifice, Hyd Cylinder	1
	10	762426	(000000-) Ftg-Hyd, Str	1
	11	762425	(000000-) Ftg-Hyd, E90	1
	12	763022	(000000-) Bearing, Sleeve 30x38x10	2
	13	763024	(000000-) Washer, Thrust 32.1x50.8x3.2	2
	14	763003	(000000-) Bearing	1
	15	763007	(000000-) Bearing	1
	16	763118	(000000-) Bearing	2
	17	763050	(000000-) Bearing, Thrust	1
	18	765380	(000000-) Hook, Threaded M20x10	1
	19	765381	(000000-) Washer, 2.250x.812x.250	2
	20	765461	(000000-) Retaining Ring	1

Fig. 12 - Engine And Mount Group

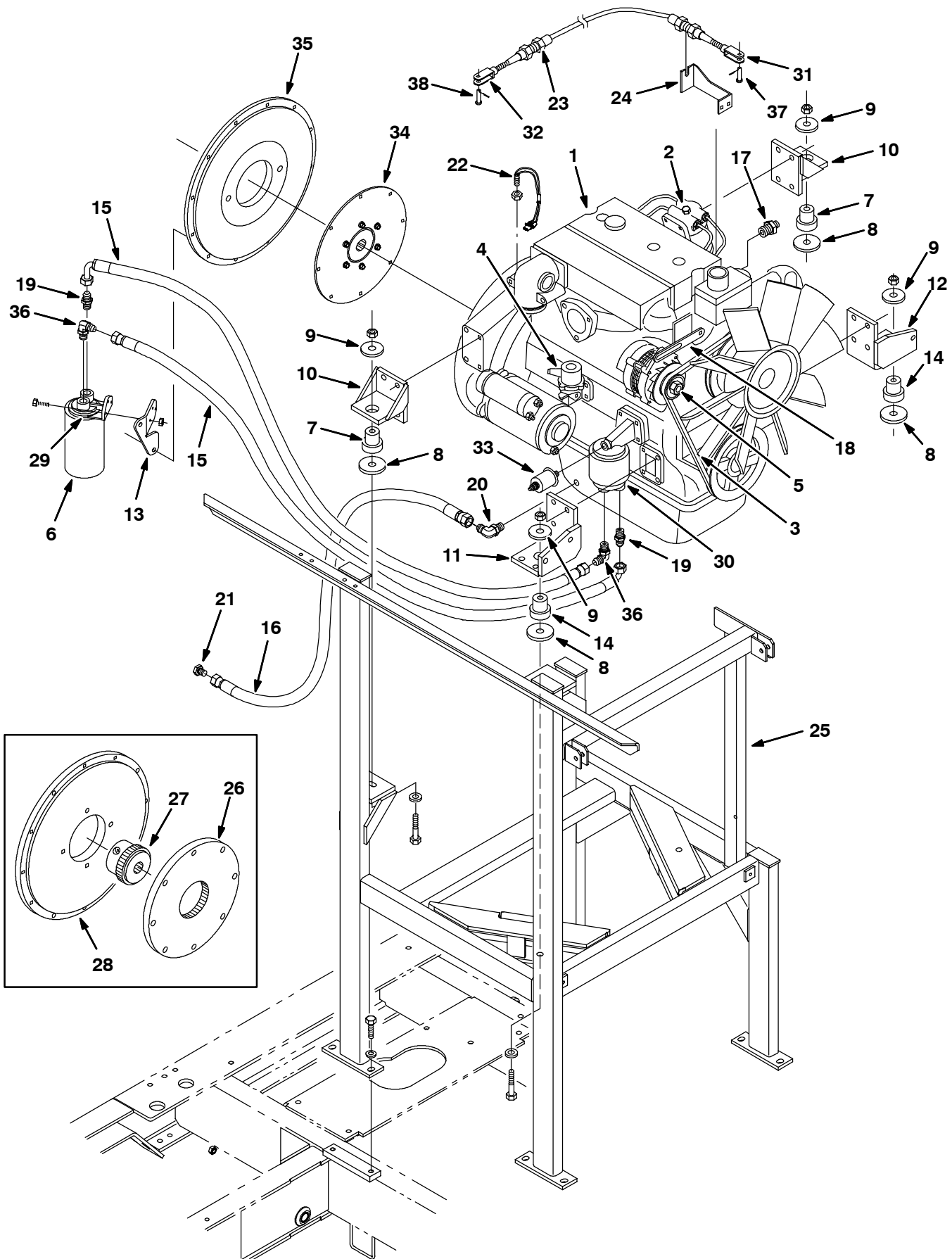


Fig. 12 - Engine And Mount Group

Ref.	TENNANT Part No.	Machine Serial Number	Description	Qty.
▽	1	766400	(000000-) Engine Assy, (Std Engine)	1
▲	2	764018	(000000-) Filter Element, Fuel	1
▲	3	766691	(000000-) Belt,Alternator (Set Of 2)	1
▲	4	764017	(000000-) Pump,Fuel	1
▲	5	766690	(000000-) Alternator	1
▲	6	52770-5	(000000-) Filter Element,Oil	1
▽	1	766402	(000000-) Engine Assy, (Waste Gated Turbo Engine)	1
▲	2	764896	(000000-) Filter Element, Fuel	1
▲	3	766691	(000000-) Belt,Alternator (Set Of 2)	1
▲	4	764017	(000000-) Pump,Fuel	1
▲	5	766690	(000000-) Alternator	1
▲	6	68986	(000000-) Filter Element,Oil Turbo	1
	7	764015	(000000-) Isolator, Mtg,Flywheel,Orange	2
	8	764071	(000000-) Washer, Special	4
	9	764070	(000000-) Washer, Special	4
	10	764009	(000000-) Support,Engine Flywheel	2
	11	764011	(000000-) Support, Eng Fan, Side, Front	1
	12	764012	(000000-) Support,Engine Fan Side Rear	1
	13	766016	(000000-) Bracket,Oil Filter	1
	14	764014	(000000-) Isolator, Mtg, Fan, Side	2
	15	767314	(000000-) Hose,Hyd	1
	16	762409	(000000-) Hose,Hyd	1
	17	762550	(000000-) Sender, Water Temp	1
	18	762094	(003709-) Lever, Alternator	1
	19	762456	(000000-) Ftg-Hyd, Str	2
	20	762446	(000000-) Ftg-Hyd, E90	1
	21	762448	(000000-) Ftg-Hyd, Plug	1
	22	768593	(000000-) Sensor, Magnetic Pickup	1
	23	764045	(000000-) Cable, Engine Speed	1
	24	766035	(000000-) Bracket,Throttle Cable	1
	25	766033	(000000-) Support Weldt,Engine	1
	26	764006	(000000-004383) Flywheel Flange, Nylon	1
	27	764008	(000000-004383) Hub, Pump Drive Sae "C"	1
	28	764007	(000000-004383) Plate, Pump Mount, 2 Bolt "C"	1
	29	764152	(000000-) Base, Remote Oil Filter	1
	30	764151	(000000-) Adaptor, Oil Filter	1
	31	761292	(000000-) Clevis & Spring Assy .250	1
	32	761293	(000000-) Clevis & Spring Assy .188	1
	33	768627	(000000-) Sending Unit	1
	34	769588	(004384-) Hub, Drive, Pump	1
	35	769587	(004384-) Plate, Mounting, Pump	1
	36	79886	(000000-) Fitting, Hyd	2
	37	761292	(000000-) Clevis Assy, .25	1
	38	761293	(000000-) Clevis Assy, .19	1

Fig. 13 - Fuel Tank & Lines Group

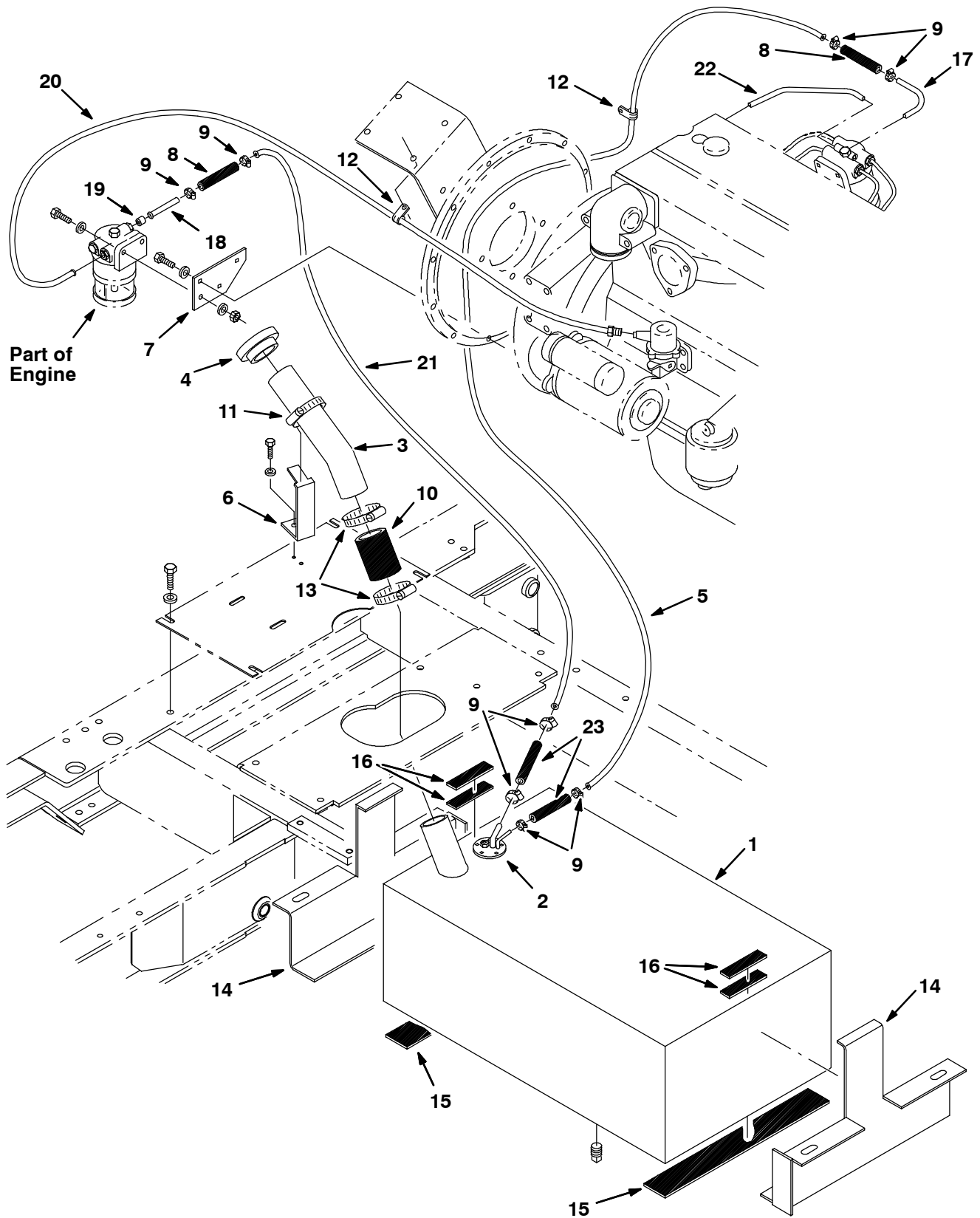


Fig. 13 - Fuel Tank & Lines Group

Ref.	TENNANT Part No.	Machine Serial Number	Description	Qty.
▽ 1	764002	(000000-) Fuel Tank	1
▲ 2	764064	(000000-) Sending Unit,Fuel Tank	1
3	761035	(000000-) Filler, Neck, Fuel Tank	1
4	761036	(000000-) Cap, Fuel Tank Filler	1
5	765371	(000000-) Tube Assy, Return	1
6	764087	(000000-) Bracket,Filler Tube	1
7	764067	(000000-) Plate,Water Trap	1
8	32808	(000000-) Hose .25 Dia. Fuel LineL	2
9	43844	(000000-) Clamp-Wormdrive, 0.25- 0.62D	8
10	764090	(000000-) Hose,Fuel Fill 2.25X3.75In Lg	1
11	22297	(000000-) Clamp-Wormdrive, 1.56- 2.50D L	1
12	76736	(000000-) Clamp-Cable, 0.38Dia 0.62Wth	2
13	14432	(000000-) Clamp-Wormdrive, 1.81- 2.75D	2
14	764126	(000000-) Bracket Weldt	2
15	764129	(000000-) Strip, Rubber, Long	2
16	764139	(000000-) Strip, Rubber, Short	4
17	766037	(000000-) Tube, Fuel Line, 90	1
18	764134	(000000-) Tube, Fuel Line	1
19	764839	(000000-) Olive	1
20	761503	(000000-) Tube, Fuel Line, Upper	1
21	761504	(000000-) Tube , Fuel Line, Lower	1
22	766047	(000000-) Tube, Fuel line	1
22	766036	(000000-003865) Tube, Bleed-off Line (Waste Gated Turbo)	1
23	769819	(000000-) Hose, Fuel .31 Dia.	2

Fig. 14 - Radiator And Hydraulic Cooler Group

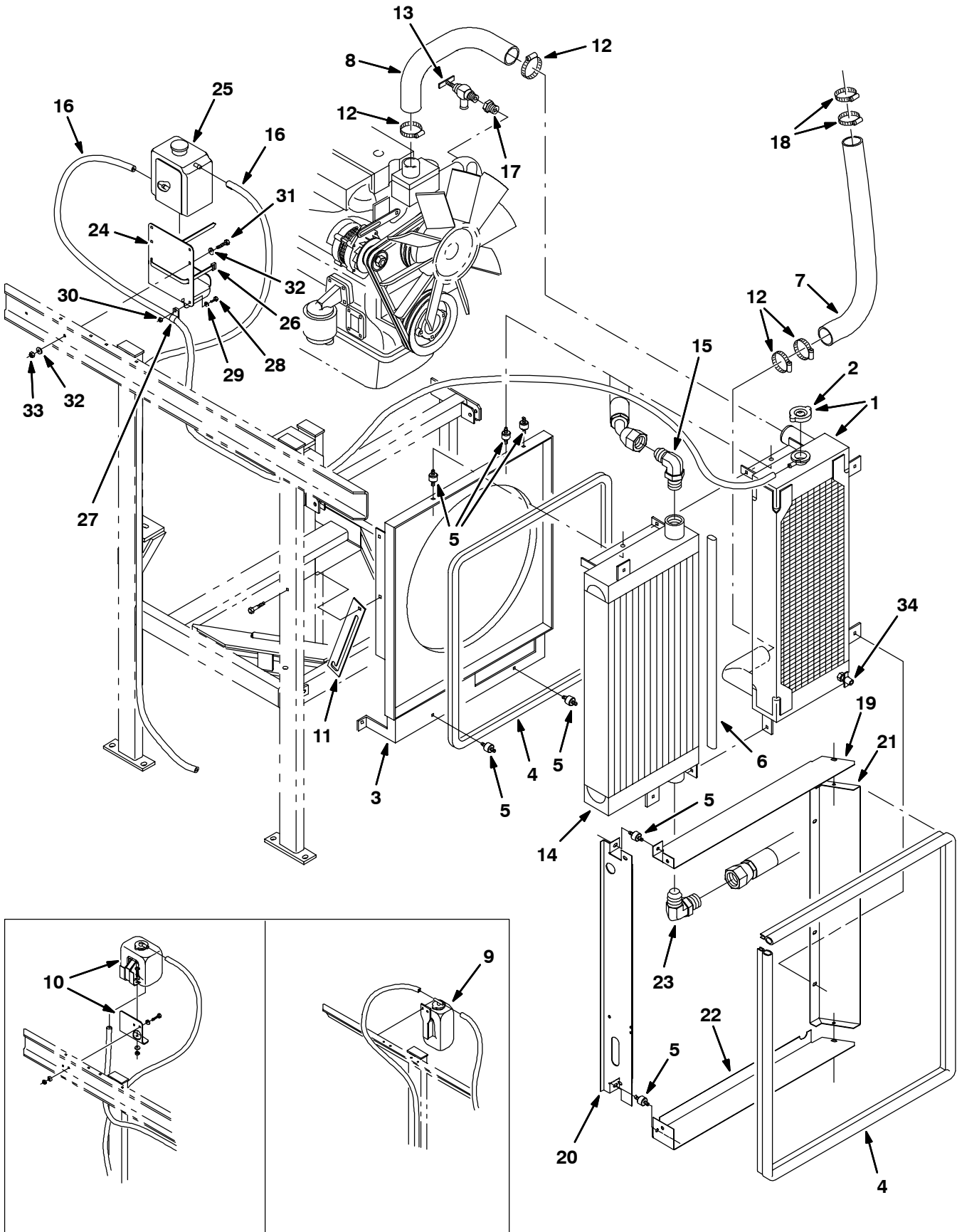


Fig. 14 - Radiator And Hydraulic Cooler Group

Ref.	TENNANT Part No.	Machine Serial Number	Description	Qty.
▽ 1	764010	(000000-) Radiator (362mm)	1
▲ 2	764047	(000000- 005023)	Cap,Radiator 2 in id	1
3	764024	(000000-) Support,Radiator&Fan Shroud	1
4	760565	(000000-) Seal,Bulb	2
5	82661	(000000-) Isolator-Vibration .25-20	7
6	764041	(000000-) Seal,Foam Rad/Coolr.25X.75X28	1
7	764119	(000000-) Hose,Rad.Lower, 2x2x24	1
8	764290	(000000-) Hose,Radiator Upper	1
9	768870	(000000-003942) Replacement Kit, Tank Recovery Coolant	1
10	768870	(003942-004395) Replacement Kit, Tank Recovery Coolant	1
11	764069	(000000-) Strap	1
12	22297	(000000-) Clamp-Wormdrive, 1.56- 2.50D L	4
13	764183	(000000-) Valve, Water Shut-off, Manual	1
14	766412	(000000-) Cooler, Hydraulic Oil (318mm)	1
15	762484	(000000-) Ftg-Hyd, E90	2
16	766417	(000000-) Hose,Radiator Overflow 5/16ld	1
17	47167	(000000-) Ftg-Str Npt/Npt 06pf/08pm	1
18	14432	(000000-) Clamp- Worm, 1.81-275D	2
19	766044	(000000-) Shroud, Radiator, Upper	1
20	766046	(000000-) Shroud, Radiator, L.H.	1
21	766042	(000000-) Shroud, Radiator, R.H.	1
22	766043	(000000-) Shroud, Radiator, Lower	1
23	762483	(000000-) Ftg-Hyd, E90	1
24	768896	(004396-) Bracket, Coolant Overflow	1
25	768897	(004396-) Tank, Hyd, 2.5 Qt Vol	1
26	32815	(004396-) Tie, Cable, Nyl, 28.5l .50w 8.0 Max D	1
27	69234	(004396-) Clamp, Cable, Stl, 1.00d X 0.62w, 1h	1
28	06944	(004396-) Screw, Hex, M06 X 1.0 X 25, 8.8	1
29	32483	(004396-) Washer, Flt, .25 Sae	1
30	08708	(004396-) Nut, Hex, Lock, M06 X 1.0, NI	1
31	76570	(004396-) Screw Hex M08	4
32	32491	(004396-) Washer Flt .31	4
33	08709	(004396-) Nut, Hex Lock M08	4
34	51305	(000000-) Fitting, Draincock, .25npt 90	1
▲ 2	1032822	(005024-) Cap, Radiator 1.5 in id	1

Fig. 15 - Muffler Group

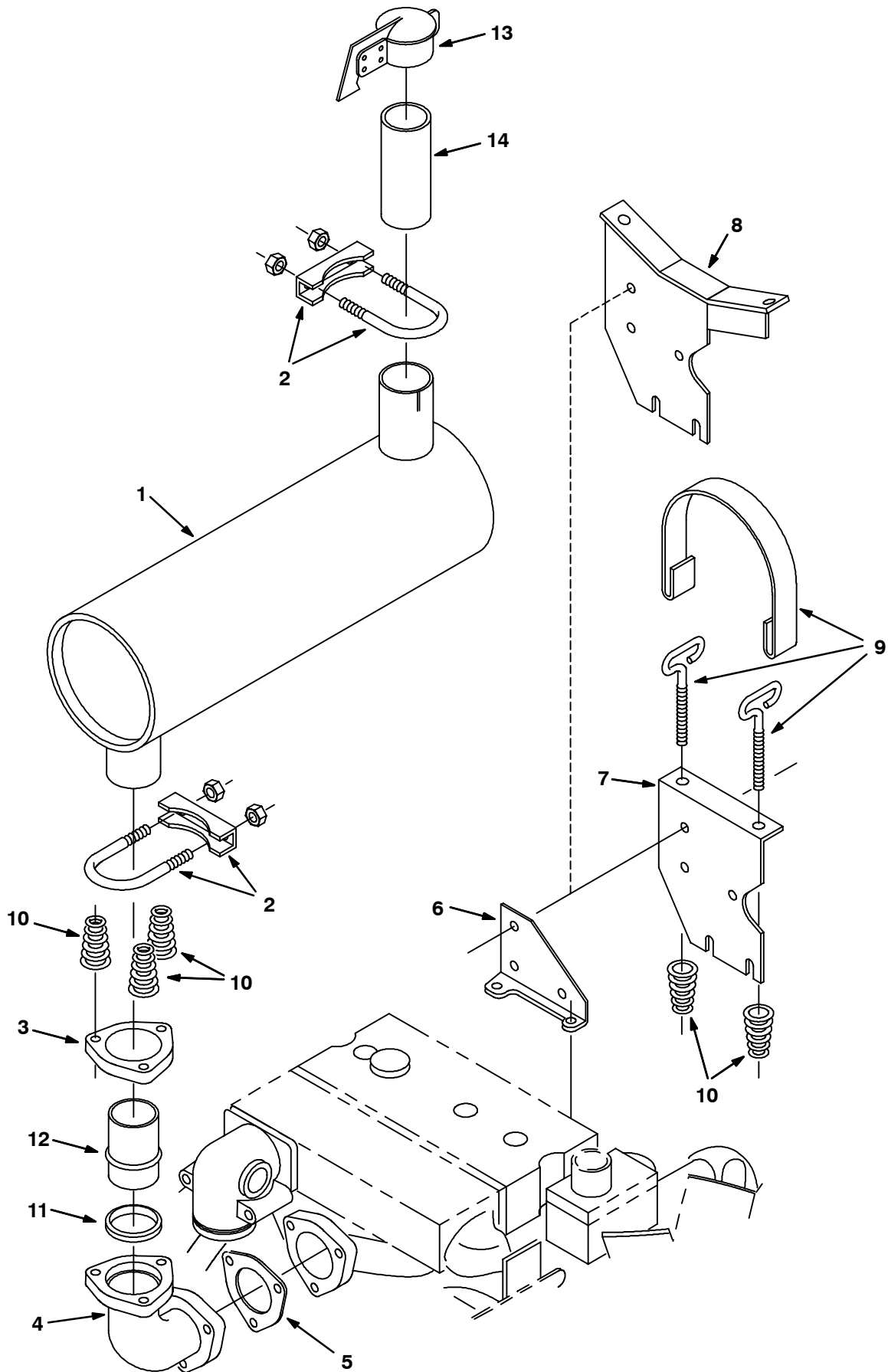


Fig. 15 - Muffler Group

Ref.	TENNANT Part No.	Machine Serial Number	Description	Qty.
1	764077	(000000-) Muffler	1
2	764082	(000000-) Clamp, 2.5 Muffler	2
3	761824	(000000-) Flange, Exhaust	1
4	761825	(000000-) Elbow, Exhaust	1
5	764122	(000000-) Gasket, Exhaust	1
6	764097	(000000-) Bracket, Muffler, .25	1
7	764099	(000000-) Bracket, Muffler, .375, (Std Engine)	1
8	764105	(000000-) Bracket, Muffler, .375, (Turbo Engine)	1
9	764085	(000000-) Clamp,Muf 6-8 In	1
10	764098	(000000-) Spring,Exhaust	5
11	761826	(000000-) Ring, Seal	1
12	764106	(000000-) Adapter, Exhaust Tube	1
13	764120	(000000-) Rain Cap, Exhaust	1
14	764123	(000000-) Tube, 2.5x6L	1

Fig. 16 - Air Cleaner Group (Standard Engine)

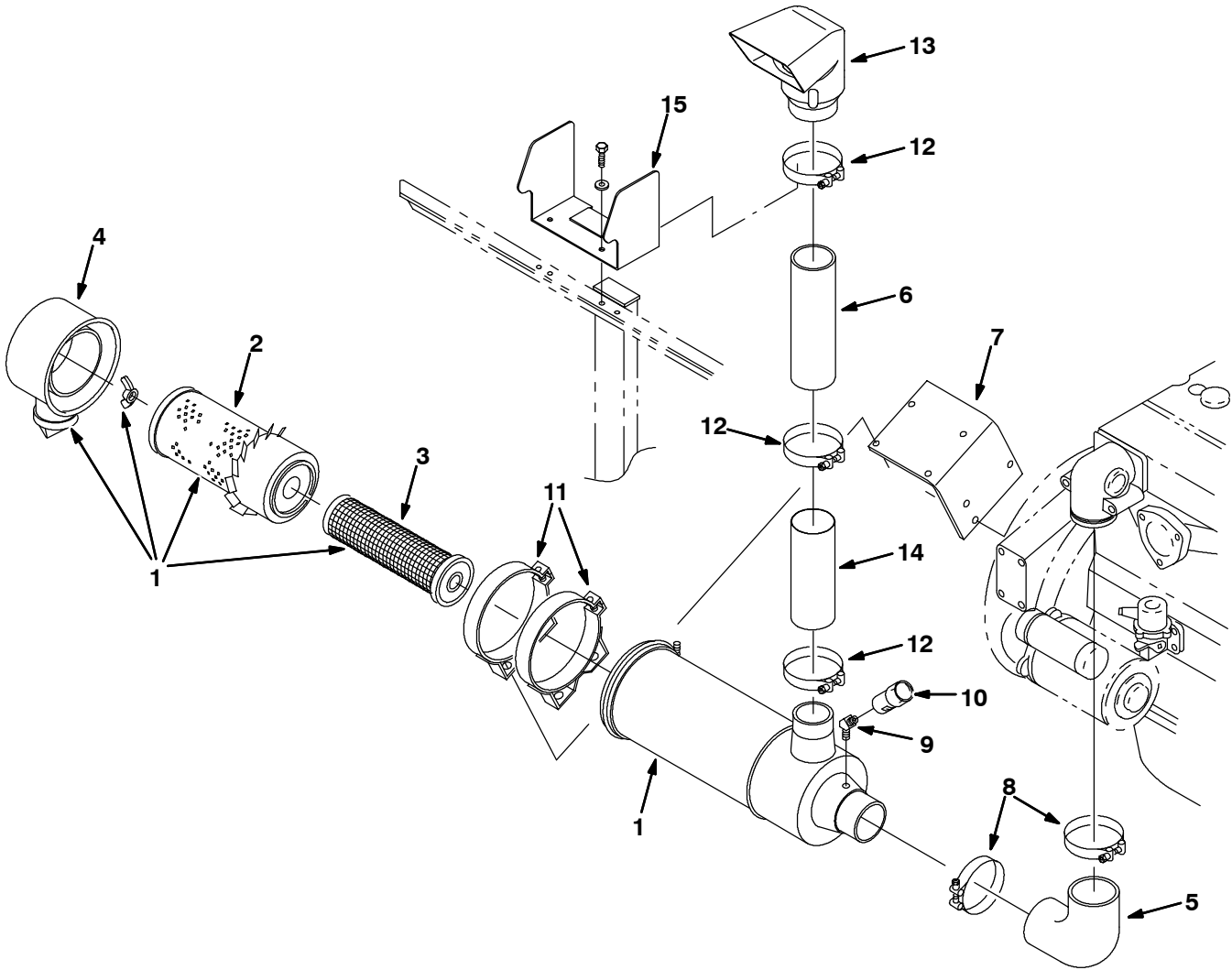


Fig. 16 - Air Cleaner Group (Standard Engine)

	Ref.	TENNANT Part No.	Machine Serial Number	Description	Qty.
▽	1	764027	(000000-) Air Cleaner	1
▲	2	764131	(000000-) Filter Element,Air Donaldson	1
▲	3	60933	(000000-) Element, Filter Safety	1
▲	4	761830	(000000-) Aspirator,Air Cleaner	1
	5	75689	(000000-) Hose, Rubber, Elbow, 3.0 (Std Engine)	1
	6	766414	(000000-) Tube	1
	7	764081	(000000-) Bracket,Air Cleaner Support (Std Engine)	1
	8	764026	(000000-) Clamp, 3" Hose	2
	9	24976	(000000-) Ftg-Brs E45 Pm02/Pf02	1
	10	768567	(000000-) Switch, Vacuum Indicator	1
	11	76321	(000000-) Band,Mtg.	2
	12	17188	(000000-) Clamp, Wormdrive, 1.62-3.5OD	3
	13	766405	(000000-) Intake, Air, 90	1
	14	764291	(000000-) Tube, Air Intake 3"	1
	15	766420	(000000-) Bracket, Air Intake	1

Fig. 17 - Air Cleaner Group (Waste Gated Turbo Engine)

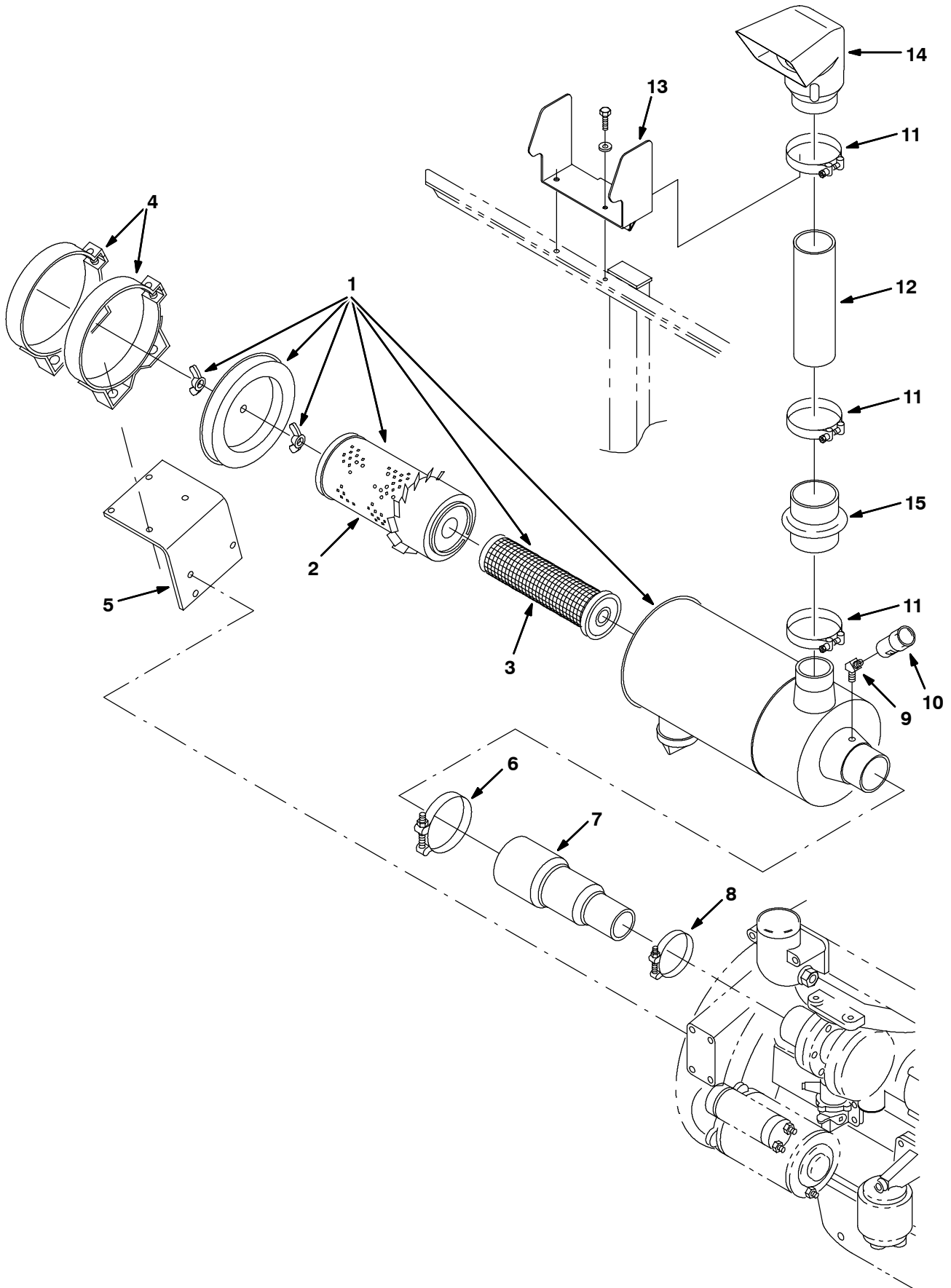


Fig. 17 - Air Cleaner Group (Waste Gated Turbo Engine)

	Ref.	TENNANT Part No.	Machine Serial Number	Description	Qty.
▽	1	764168	(000000-) Air Cleaner, 8 inch	1
▲	2	764190	(000000-) Element, 8 inch Air Cleaner	1
▲	3	764191	(000000-) Element, Safety	1
	4	764182	(000000-) Clamp, 8 inch Air Cleaner	2
	5	764028	(000000-) Bracket Weldt, Air Cleaner	1
	6	17188	(000000-) Clamp-Wormdrive, 1.62-3.5OD	1
	7	764293	(000000-) Hose, Rubber	1
	8	14432	(000000-) Clamp-Wormdrive, 1.81-2.75D	1
	9	24976	(000000-) Ftg-Brs E45 Pm02/Pf02	1
	10	768568	(000000-) Switch, Vacuum Indicator	1
	11	766006	(000000-) Clamp	3
	12	766416	(000000-) Tube	1
	13	766421	(000000-) Bracket	1
	14	766406	(000000-) Elbow, Intake, Air	1
	15	764292	(000000-) Hose, Taper, Air Cleaner	1

Fig. 18 - Battery and Cables Group

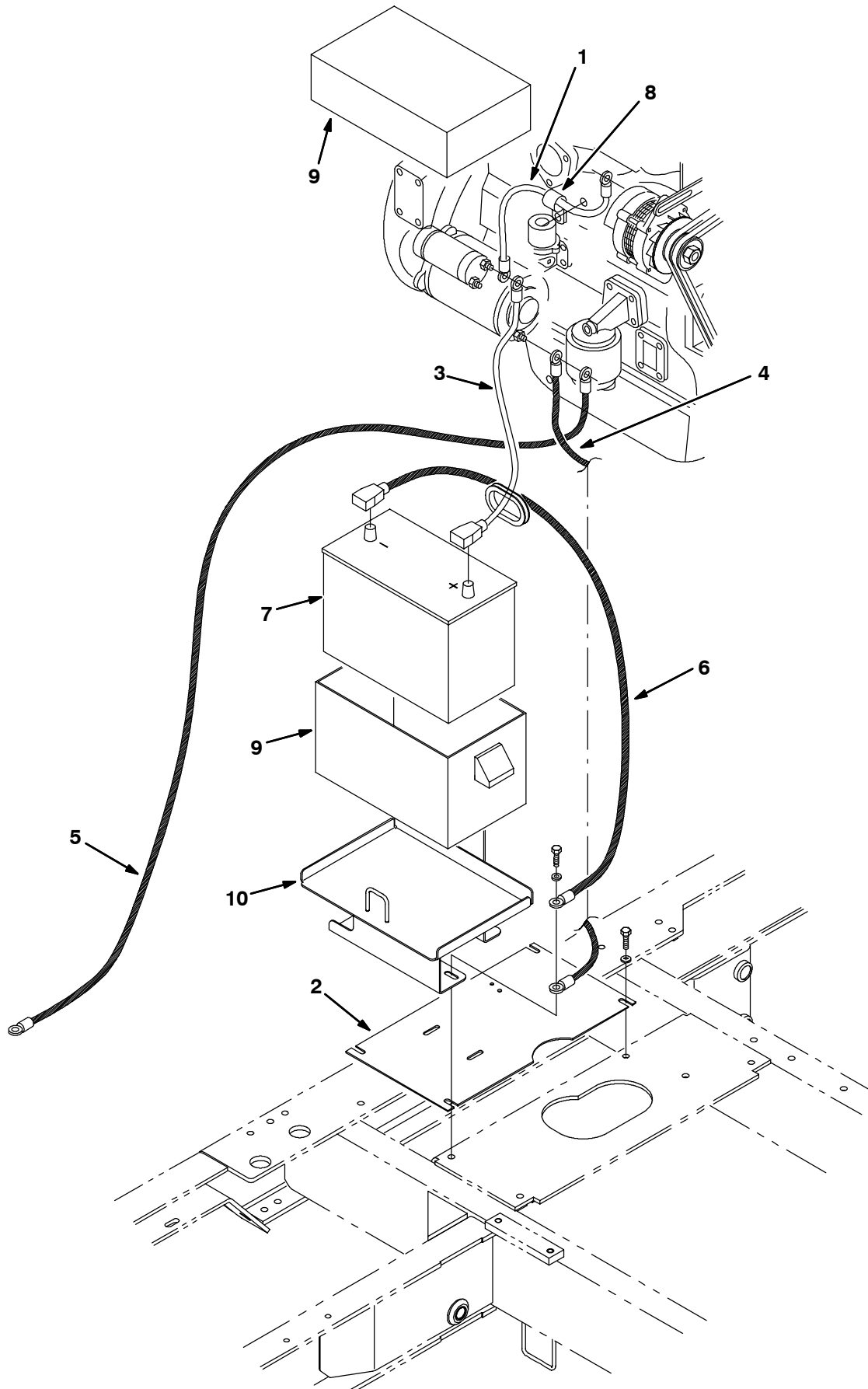


Fig. 18 - Battery and Cables Group

Ref.	TENNANT Part No.	Machine Serial Number	Description	Qty.
1	762558	(000000-) Wire Assy, 20.0 Lg, 6 Ga, Red	1
2	766010	(000000-) Plate, Floor	1
3	762554	(000000-) Wire Assy, 48.0 Lg, 2 Ga, Pos	1
4	762556	(000000-) Wire Assy, 48.0 Lg, 2 Ga, Blk	1
5	762557	(000000-) Wire Assy, 36.0 Lg, 4 Ga, Blk	1
6	762555	(000000-) Wire Assy, 22.0 Lg, 2 Ga, Neg	1
7	10136	(000000-) Battery, 12V, Cc Amps:730 Wet	1
7	310580	(000000-) Battery, 12V, Cc Amps:1000 Wet	1
8	69234	(000000-) Clamp-Cable, 1.00Dia. .62Wth	1
9	766015	(000000-) Battery Box, Poly	1
10	766014	(000000-) Support Wldt	1

Fig. 19 - Conveyor And Skirts Group

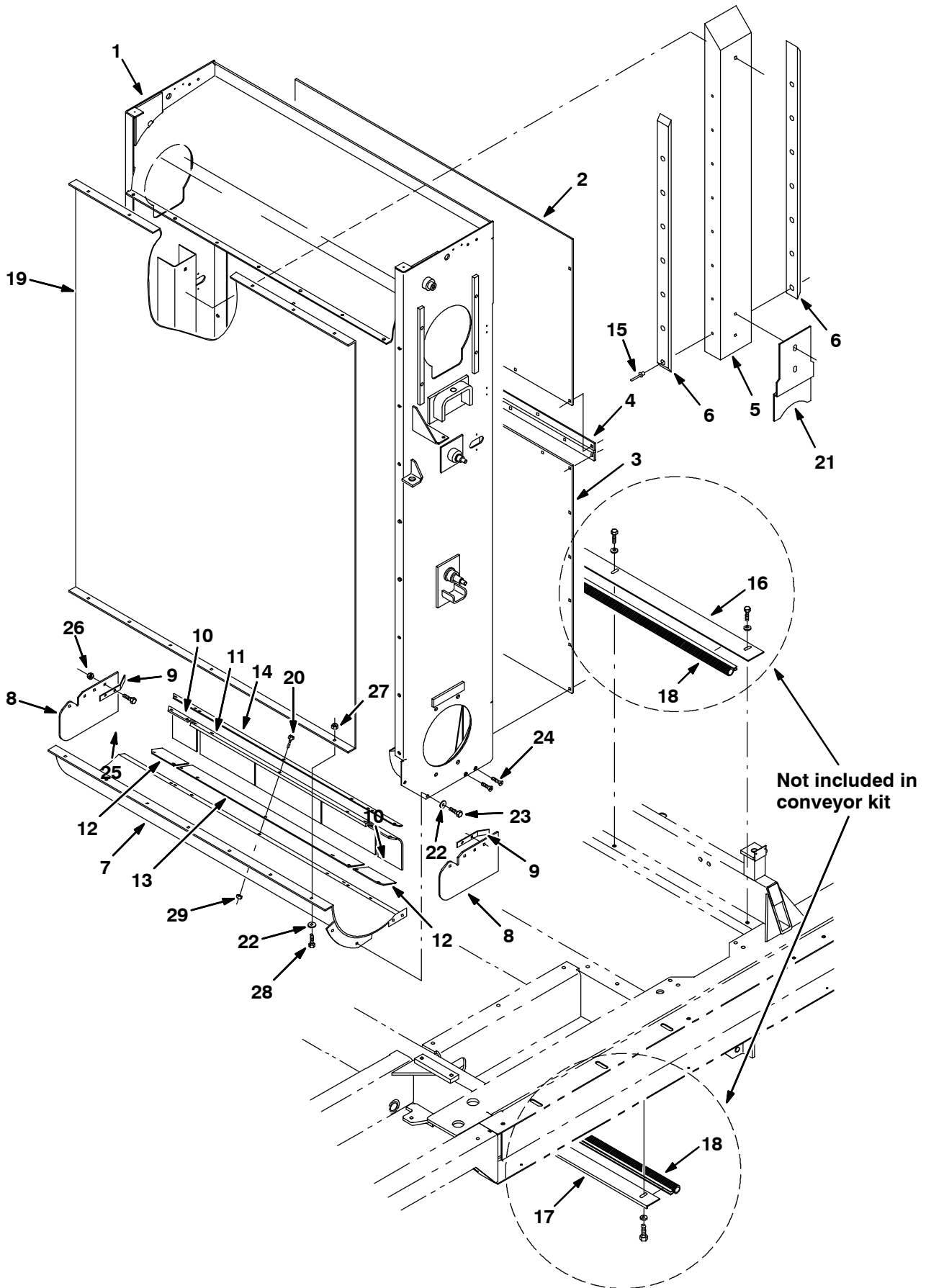


Fig. 19 - Conveyor And Skirts Group

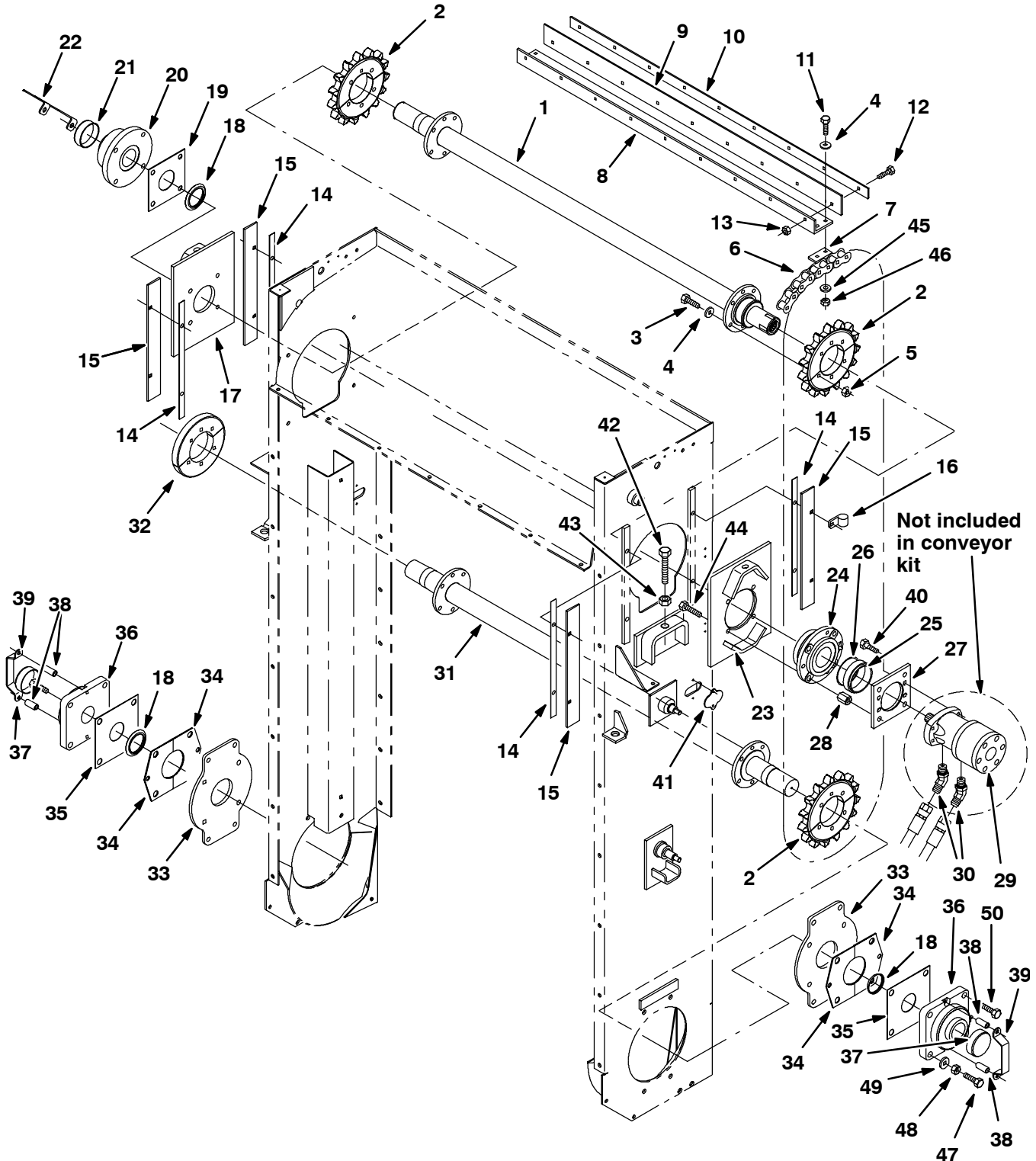
NOTE: The Conveyor Assembly, Tennant Part Number 765908, includes Fig. 19 and Fig. 20.

Ref.	TENNANT Part No.	Machine Number	Serial	Description	Qty.
1	761296	(000000-)	Conveyor Wldt, Bolt On Back	1
2	761804	(000000-)	Panel,Rear Upper W/Label	1
3	765827	(000000-)	Panel Wldt, Rear Lower	1
4	760851	(000000-)	Hinge, Conveyor	1
5	760906	(000000-)	Channel,Support Cover 1.654	2
6	765845	(000000-)	Guide,Chain	4
7	760798	(000000-)	Trough, Weldment Conveyor	1
8	760837	(000000-)	Skirt, Side Deflector	2
9	760838	(000000-)	Angle, Retainer Side Skirt	2
10	760882	(000000-)	Skirt, Conveyor Side	2
11	760897	(000000-)	Skirt, Conveyor, Lip	1
12	760883	(000000-)	Strip, Backup Uhmw	2
13	760884	(000000-)	Strip, Backup Main Uhmw	1
14	760896	(000000-)	Strip,Retainer Conveyer	1
15	763092	(000000-)	Rivet, Blind, .188d X 0.45 X .38d, Ss	32
16	761148	(000000-)	Strip, Seal Conveyor	1
17	761153	(000000-)	Strip, Seal, Conveyor, Lower	1
18	760785	(000000-)	Seal,Conveyor	2
19	760794	(000000-)	Plate, Weldment Back	1
20	09011	(000000-)	Scr Hexssm 8x1.25 30	9
21	760875	(000000-)	Guard, Debris 1.654	2
22	41186	(000000-)	Washer-Belleville .31	11
23	16931	(000000-)	Scr Hex M 8x1.25 20	4
24	32129	(000000-)	Scr Flt M 8x1.25 20	4
25	15678	(000000-)	Scr Hexssm 6x1.0	8
26	08712	(000000-)	Nut-Hxlocnyln M 6x1.0 Reg Ss	6
27	08709	(000000-)	Nut Hxlocnyln M 8x1.25	7
28	39277	(000000-)	Scr Hex M 8x1.25 25	7
29	08713	(000000-)	Nut-Hxlocnyln M 8x1.25 Reg Ss	9

STANDARD PARTS

Fig. 20 - Conveyor Drive Group

NOTE: The Conveyor Assembly, Tennant Part Number 765908, includes Fig. 19 and Fig. 20.



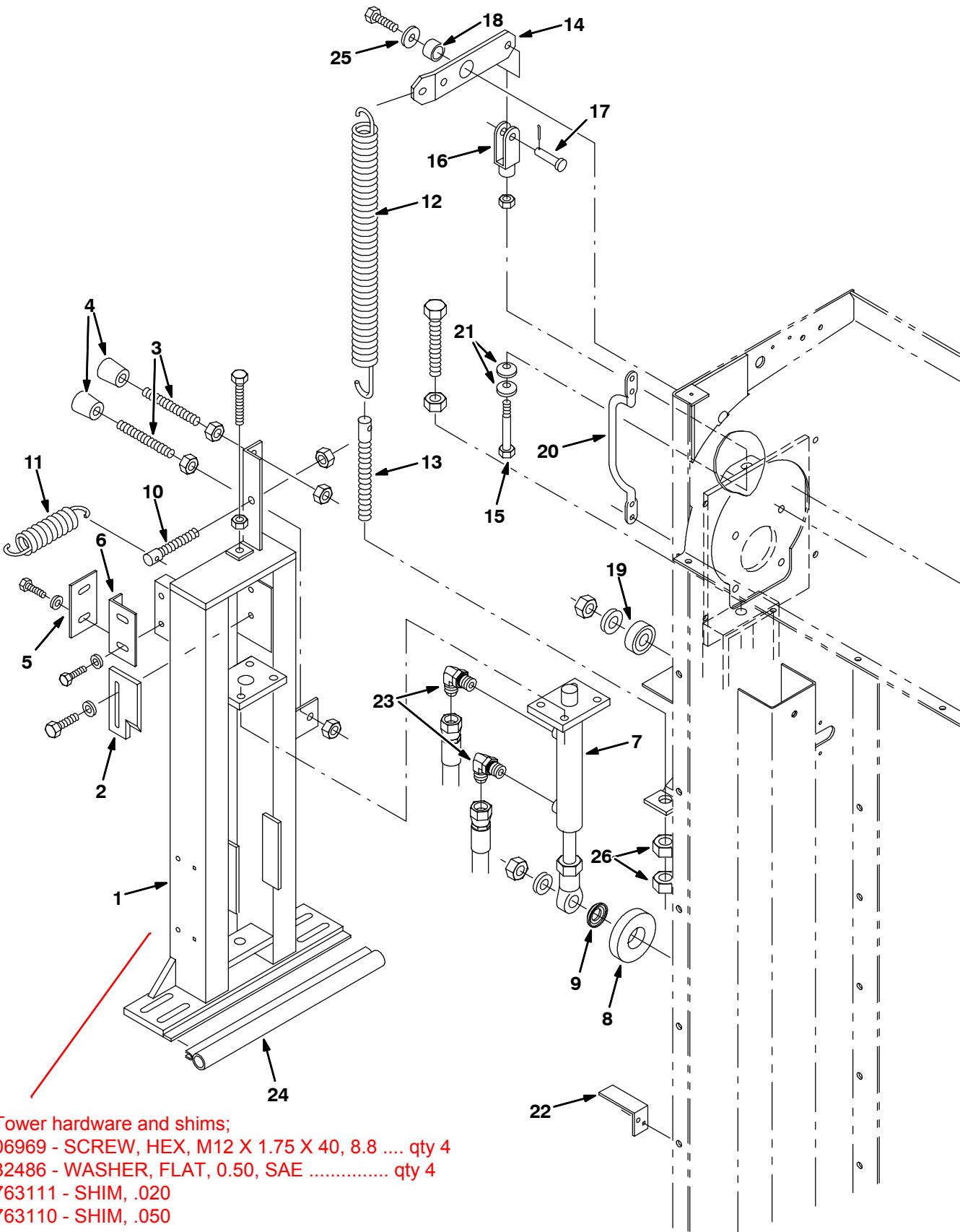
Ref.	TENNANT Part No.	Machine Number	Serial	Description	Qty.
1	761279	(000000-)	Shaft Wldt, Upper	1
2	761283	(000000-)	Sprocket, 15 Tooth, 1.64 Pitch Dia.	3
3	16930	(000000-)	Screw, Hex, M10-1.5 X 50, 8.8	12
4	41187	(000000-)	Washer, Belleville, .38	20

Fig. 20 - Conveyor Drive Group

NOTE: The Conveyor Assembly, Tennant Part Number 765908, includes Fig. 19 and Fig. 20.

Ref.	TENNANT Part No.	Machine Number	Serial	Description	Qty.
	5	41430	(000000-) Nut-Hxlocnyln	12
▽	6	760901	(000000-) Chain, Grease, Seals	2
▲		760914	(000000-) Pin, Kit Connecting 1.654 Chain	2
▲	7	760915	(000000-) Attachment, Repair Kit 1.654	11
	8	760905	(000000-) Angle	11
	9	760749	(000000-) Strip, Rubber	11
	10	760891	(000000-) Strip, Retainer Paddle	11
	11	02995	(000000-) Screw, Hex, .38-16 X 1.25, Ss	44
	12	09011	(000000-) Screw, Hex, M08-1.25 X 30, Ss	90
	13	08713	(000000-) Nut, Hex, Lock, M08-1.25,Nl,Ss	90
	14	765813	(000000-) Shim 18Ga, Bearing Mount	4
	15	765811	(000000-) Strip, Sprocket Upper	4
	16	76736	(000000-) Clamp, Cable	1
	17	760939	(000000-) Plate Wldt, Slide Bearing	1
	18	760697	(000000-) Seal, Shaft	3
	19	761254	(000000-) Plate, Seal, Upper	1
▽	20	761289	(000000-) Bearing, Flange, Roller	1
▲	21	765818	(000000-) Cap, Grease	1
	22	765807	(000000-) Strap, Upper	1
	23	760919	(000000-) Plate Wldt, Upper Drive	1
	24	761108	(000000-) Bearing, Flange	1
	25	761286	(000000-) Retainer, Grease	1
	26	765816	(000000-) O-Ring	1
	27	761252	(000000-) Plate, Motor Mount	1
	28	761266	(000000-) Spacer, Hex. .75x1.0 Long	4
▽	29	767180	(000000-) Motor, Hyd	1
▲		762116	(000000-) Kit, Seal	1
	30	762465	(000000-) Fitting-Hyd, E45	2
	31	761280	(000000-) Shaft Wldt, Lower	1
	32	761284	(000000-) Idler, No Teeth, Split	1
	33	761257	(000000-) Plate, Conveyor Lower Rh & Lh	2
	34	761265	(000000-) Shim, Lower Shaft	8
	35	761253	(000000-) Plate, Seal, Lower	2
▽	36	761111	(000000-) Bearing, Flange	2
▲	37	765817	(000000-) Cap, Grease	2
	38	765806	(000000-) Spacer, Strap	4
	39	765805	(000000-) Strap, Lower	2
	40	09029	(000000-) Screw, Hex SSM 12x1.75	4
	41	760721	(000000-) Plate	2
	42	763083	(000000-) Screw, Hex M20x2.5x1.20	2
	43	763067	(000000-) Nut, Hex Jam M20x2.5	2
	44	763146	(000000-) Screw, Hex	4
	45	32492	(000000-) Washer, Flat, 0.38 Std	11
	46	59156	(000000-) Nut, Hex, Lock, .38-16, Nl, Ss	11
	47	763100	(000000-) Screw, Hex, M12 X 1.75 X 60	1
	48	39313	(000000-) Nut, Hex, Std, M12 X 1.75	1
	49	763043	(000000-) Washer, Belleville, M12	1
	50	06970	(000000-) Screw, Hex, M12 X 1.75 X 45, 8.8	3

Fig. 21 - Right Conveyor Lift Group

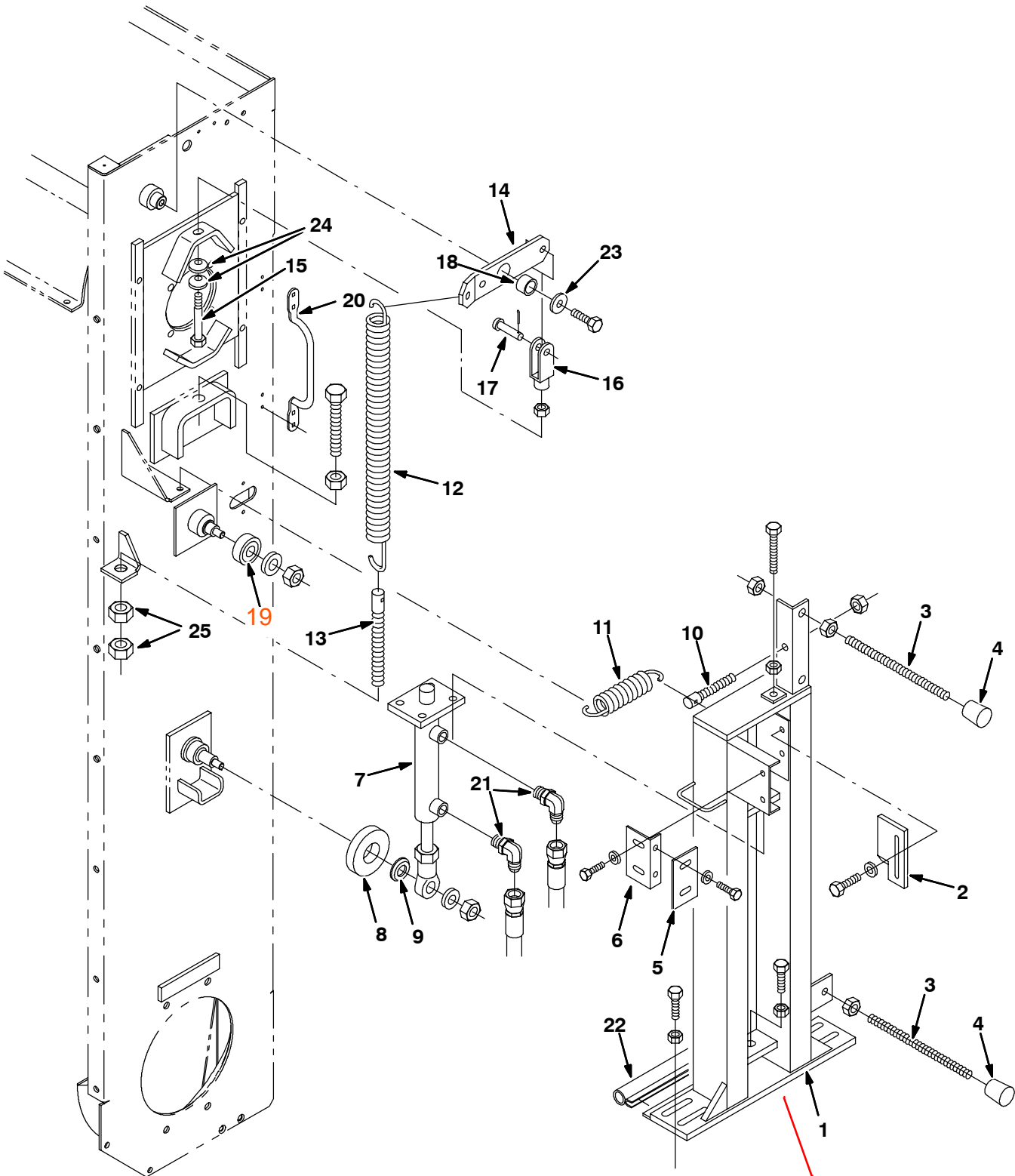


Tower hardware and shims;
 06969 - SCREW, HEX, M12 X 1.75 X 40, 8.8 qty 4
 32486 - WASHER, FLAT, 0.50, SAE qty 4
 763111 - SHIM, .020
 763110 - SHIM, .050

Fig. 21 - Right Conveyor Lift Group

Ref.	TENNANT Part No.	Machine Number	Serial	Description	Qty.
	1	765815	(000000-) Tower Wldt, Conveyor, Rh	1
760753	2	760754	(000000-) Plate, Cam, Rh	1
	3	760757	(000000-) Stud, M12 X 90	2
	4	763061	(000000-) Bumper, Engine Door	2
	5	761049	(000000-) Plate, Engine Door Latch	1
	6	761051	(000000-) Door Stop	1
1035838 ▽	7	398293	(000000-) Cylinder, Hyd Conveyor Lift	1
1040346 ▲		762066	(000000-) Seal Kit	1
	8	760756	(000000-) Roller, Guide	1
	9	760755	(000000-) Washer, Cyl Head	1
	10	761225	(000000-) Eyebolt, .50-13X3.5"	1
	11	760778	(000000-) Spring, Extension 1.18X.25X4.8	1
	12	760834	(000000-) Spring, Ext Conveyor Tension	1
	13	760833	(000000-) Eye Bolt, M20 X 190	1
	14	760839	(000000-) Pivot Weldt, Tensioner	1
	15	06975	(000000-) Bolt, M12x90	1
	16	763384	(000000-) Yoke, M12	2
	17	763383	(000000-) Pin, Clevis Tensioner Conveyr	2
	18	763380	(000000-) Bushing	1
	19	760740	(000000-) Bearing, Cam Roller 52x14x20	1
	20	32822	(000000-) Handle, Grab	1
	21	765810	(000000-) Washer, Spherical	2
	22	760779	(000000-) Angle, Switch	1
	23	762425	(000000-) Ftg-Hyd, E90	2
	24	760786	(000000-) Seal, Conveyor Tower	1
	25	32493	(000000-) Washer Hard Flat .50	1
	26	07783	(000000-) Nut, Hex, Std, M20 X 2.5	2

Fig. 22 - Left Conveyor Lift Group



Tower hardware and shims;
 06969 - SCREW, HEX, M12 X 1.75 X 40, 8.8 qty 4
 32486 - WASHER, FLAT, 0.50, SAE qty 4
 763111 - SHIM, .020
 763110 - SHIM, .050

Fig. 22 - Left Conveyor Lift Group

	Ref.	TENNANT Part No.	Machine Number	Serial	Description	Qty.
	1	765814	(000000-)	Tower Wldt, Conveyor, Lh	1
760754	2	760753	(000000-)	Plate, Cam, Lh	1
	3	760828	(000000-)	Stud, M12 X 200	2
	4	763061	(000000-)	Bumper, Engine Door	2
	5	761049	(000000-)	Plate, Engine Door Latch	1
	6	761051	(000000-)	Door Stop	1
1035838 ▽	7	398293	(000000-)	Cylinder, Hyd Conveyor Lift	1
1040346 ▲		762066	(000000-)	Seal Kit	1
	8	760756	(000000-)	Roller, Guide	1
	9	760755	(000000-)	Washer, Cyl Head	1
	10	761225	(000000-)	Eyebolt, .50-13X3.5"	1
	11	760778	(000000-)	Spring, Extension 1.18X.25X4.8	1
	12	760834	(000000-)	Spring, Ext Conveyor Tension	1
	13	760833	(000000-)	Eye Bolt, M20 X 190	1
	14	760839	(000000-)	Pivot Weldt, Tensioner	1
	15	06975	(000000-)	Bolt, M12x90	1
	16	763384	(000000-)	Yoke, M12	2
	17	763383	(000000-)	Pin, Clevis Tensioner Conveyr	2
	18	763380	(000000-)	Bushing	1
	19	760740	(000000-)	Bearing Cam, Roller 52x14x20	1
	20	32822	(000000-)	Handle, Grab	1
	21	762425	(000000-)	Ftg-Hyd, E90	2
	22	760786	(000000-)	Seal, Conveyor Tower	1
	23	32493	(000000-)	Washer Hard Flat .50	1
	24	765810	(000000-)	Washer, Shperical	1
	25	07783	(000000-)	Nut, Hex, Std, M20 X 2.5	2

Fig. 23 - Hopper Group

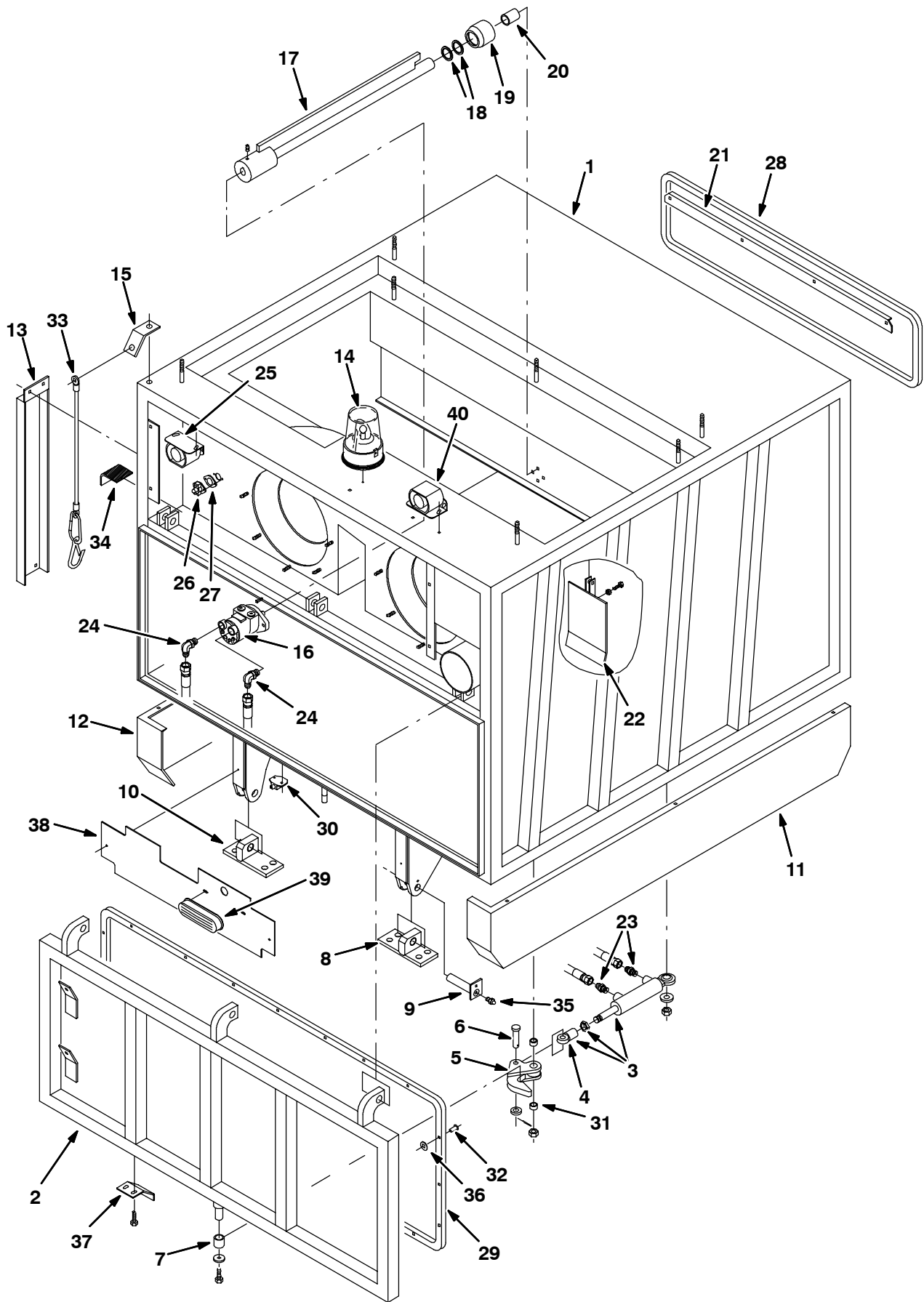


Fig. 23 - Hopper Group

Ref.	TENNANT Part No.	Machine Number	Serial	Description	Qty.
▽		760500	(000000-) Hopper Assembly	1
▲	1	760100	(000000-) Hopper Wldt	1
▲	2	761545	(000000-) Door, Hopper, Rear	1
▽	3	762011	(000000-) Cylinder, Hyd Hopper Door	1
▲		770028	(000000-) Kit, Seal, Cyl, Hyd	1
▲	4	762064	(000000-) Rod End, 16Mm	1
	5	760598	(000000-) Hook, Door Release	1
	6	760586	(000000-) Pin, Hydraulic Cylinder	1
	7	760577	(000000-) Bushing	1
	8	765614	(000000-) Pivot Wldt, Hopper Right	1
	9	760682	(000000-) Pin, Hyd Cyl	2
	10	765612	(000000-) Pivot Wldt, Hopper Left	1
	11	768621	(000000-) Panel, Right Side W/Label	1
	12	768622	(000000-) Panel, Left Side W/Label	1
	13	760503	(000000-) Cover, Hyd Hoses	1
▽	14	768598	(000000-) Light Assy Revl Amber 12V	1
▲		367946	(000000-) Lens, Rev. Light Amber	1
▲		768605	(000000-) Lamp, Halogen H1 12V 55W	1
	15	760647	(000000-) Bracket, Cable Mount	1
	16	762035	(000000-) Motor, Hyd Shaker W/End Ports (See Breakdowns)	1
	17	760548	(000000-) Beater Bar, Filter Bag	1
	18	763244	(000000-) Seal, Shaft	2
	19	760543	(000000-) Bushing, Rear Support	1
	20	763278	(000000-) Bearing, Sleeve	1
	21	760523	(000000-) Clamp, Gasket, Front	2
	22	760504	(000000-) Shutter, Vacuum	1
	23	762426	(000000-) Ftg-Hyd, Str	2
	24	762437	(000000-) Ftg-Hyd, E90	1
	25	61923	(000000-) Alarm, Backup, Smart	1
	26	367679	(000000-) Thermostat Assembly, 155 Deg 160 deg	1
	27	82733	(000000-) Gasket, Fire Switch	1
	28	760522	(000000-) Gasket, Hopper Opening	1
	29	760565	(000000-) Gasket, Rear Hopper Door	1
	30	762591	(000000-) Switch, Micro	1
	31	763284	(000000-) Bushing	2
	32	763075	(000000-) Rivet, Pop .156Dx.710x.312Dhd	18
	33	760663	(000000-) Cable, Hopper Door Hook	1
	34	761417	(000000-) Bar Flat, Rubber Hopper	1
	35	47801	(000000-) Ftg, Grease	2
	36	19065	(000000-) Washer Flt 08	18
	37	761542	(000000-) Angle, Switch	1
	38	767045	(000000-) Plate	1
	39	768613	(000000-) Lamp, W/Conector	1
	40	761515	(000000-) Hopper up Alarm	1

Fig. 24 - Hopper Filter Bags Group

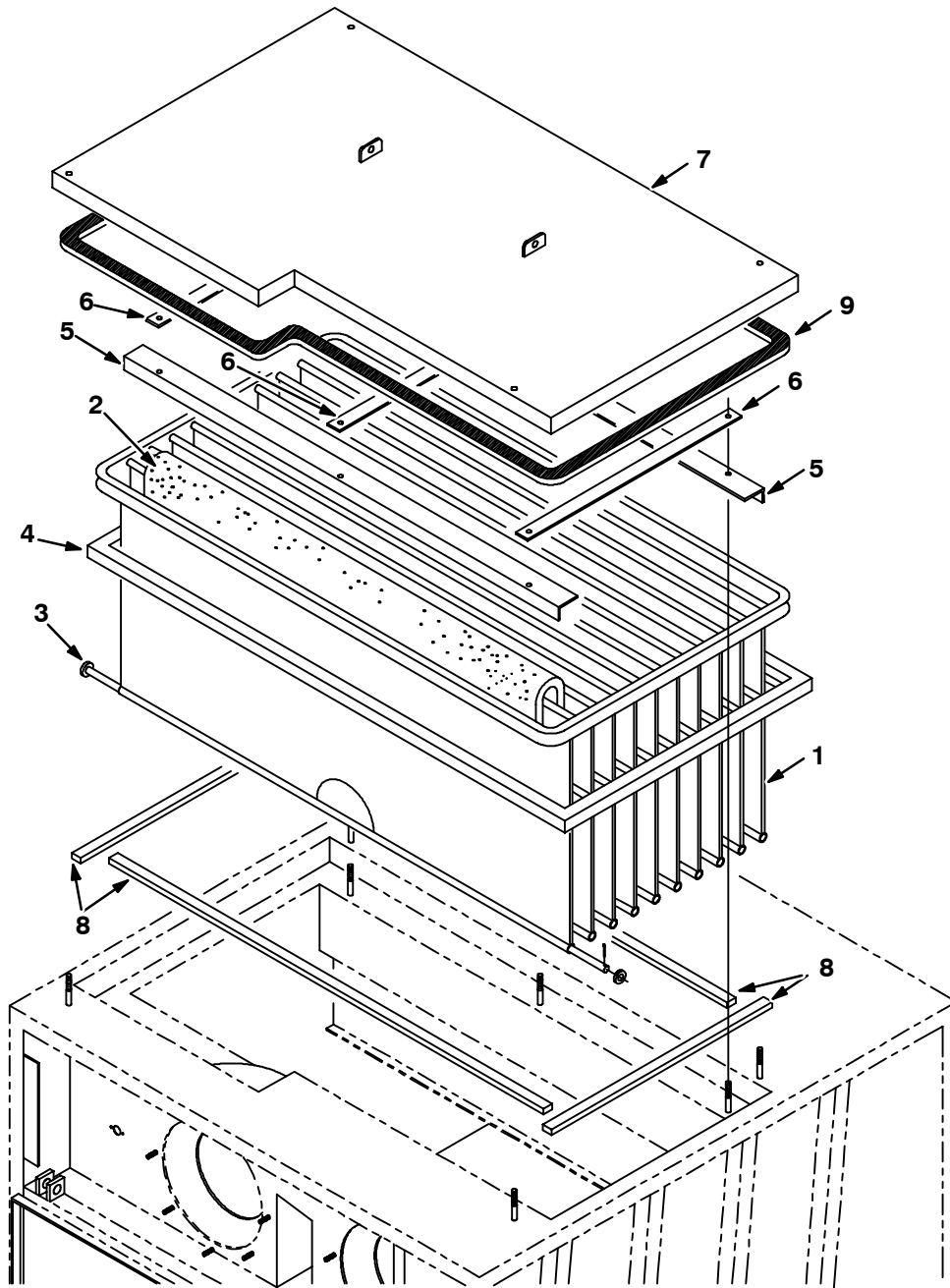


Fig. 24 - Hopper Filter Bags Group

Ref.	TENNANT Part No.	Machine Number	Serial	Description	Qty.
▽	761505	(000000-)	Filter Bag Assy, Hopper	1
▲ 1	760537	(000000-)	Filter Bag	1
▲ 2	760536	(000000-)	Separator, Filter Bag	10
▲ 3	760545	(000000-)	Rod Wldt, Filter Bag	20
▲ 4	760535	(000000-)	Rack, Filter Bag	1
5	760529	(000000-)	Bracket, Filter Bag	2
6	760550	(000000-)	Bar, Stop, Filter Bag	3
7	760538	(000000-)	Cover, Filter Bag	1
8	760532	(000000-)	Gasket, Filter Frame	1
9	760540	(000000-)	Gasket, Filter Bag Cover	1

Fig. 25 - Hopper Tilt Cylinders Group

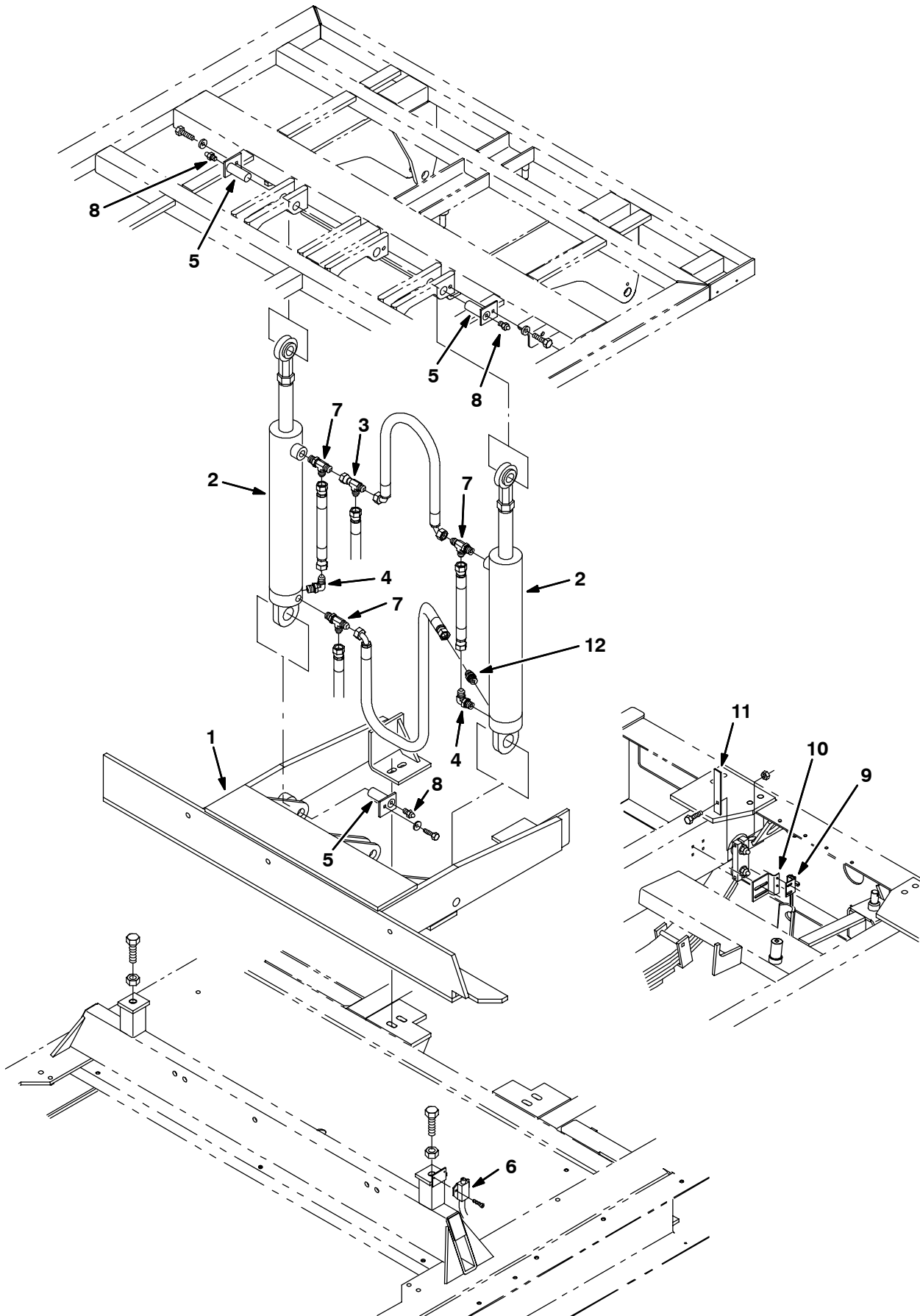


Fig. 25 - Hopper Tilt Cylinders Group

Ref.	TENNANT Part No.	Machine Number	Serial	Description	Qty.
1	765450	(000000-)	Base, Lft, Lower	1
▽ 2	398294	(000000-)	Cylinder, Hyd Hopper Tilt	2
▲	762195	(000000-)	Seal Kit	1
3	762435	(000000-)	Ftg-Hyd, Tee	1
4	762432	(000000-)	Ftg-Hyd, Elbow	2
5	760682	(000000-)	Pin Weldment, Safety Leg Lower	4
6	762591	(000000-)	Switch, Micro	1
7	762434	(000000-)	Ftg-Hyd, Tee	3
8	47801	(000000-)	Ftg, Grease	4
9	59965	(000000-)	Switch Assy, Roller-No	1
10	770025	(000000-)	Bracket, Switch	1
11	760447	(000000-)	Spring, Overload Switch	1
12	762443	(000000-)	Fitting, Hyd	1

Fig. 26 - Hopper Support Cylinder Group

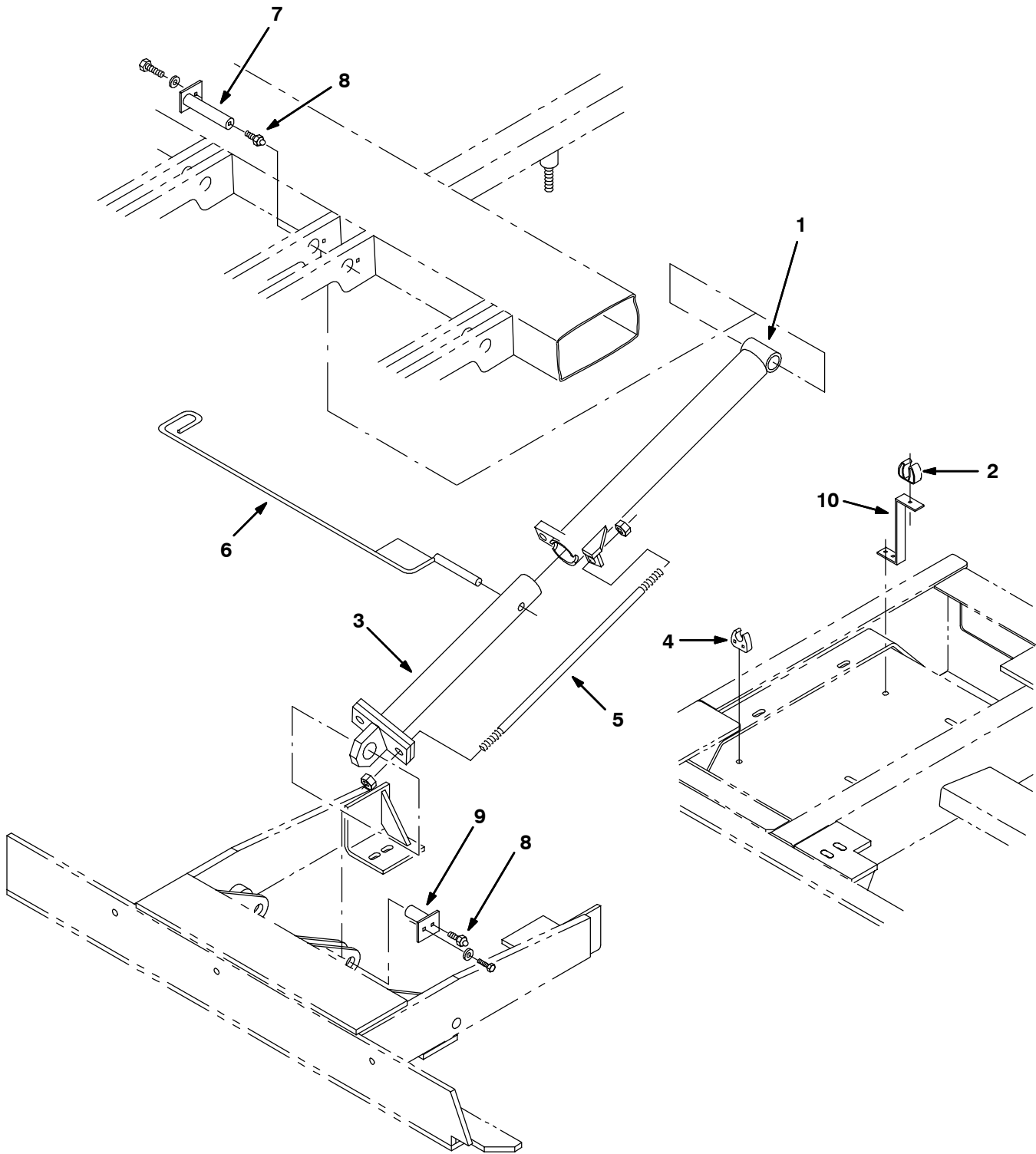


Fig. 26 - Hopper Support Cylinder Group

Ref.	TENNANT Part No.	Machine Number	Serial	Description	Qty.
1	760673	(000000-)	Hopper Support, Upper W/Label	1
2	761524	(000000-)	Clip, Finger Clip, Metal	1
3	760691	(000000-)	Hopper Support, Lower	1
4	760660	(000000-)	Clip, Finger Clip	1
5	760554	(000000-)	Tie Rod, Hopper Support	2
6	760824	(000000-)	Pin W/Label	1
7	760695	(000000-)	Pin Weldment,Safety Leg Upper	1
8	47801	(000000-)	Ftg, Grease.25-28th Strt .63L	2
9	760679	(000000-)	Pin Weldment,Safety Leg Lower	1
10	760668	(000000-)	Bracket, Extended Pin	1

Fig. 27 - Vacuum Fan Group

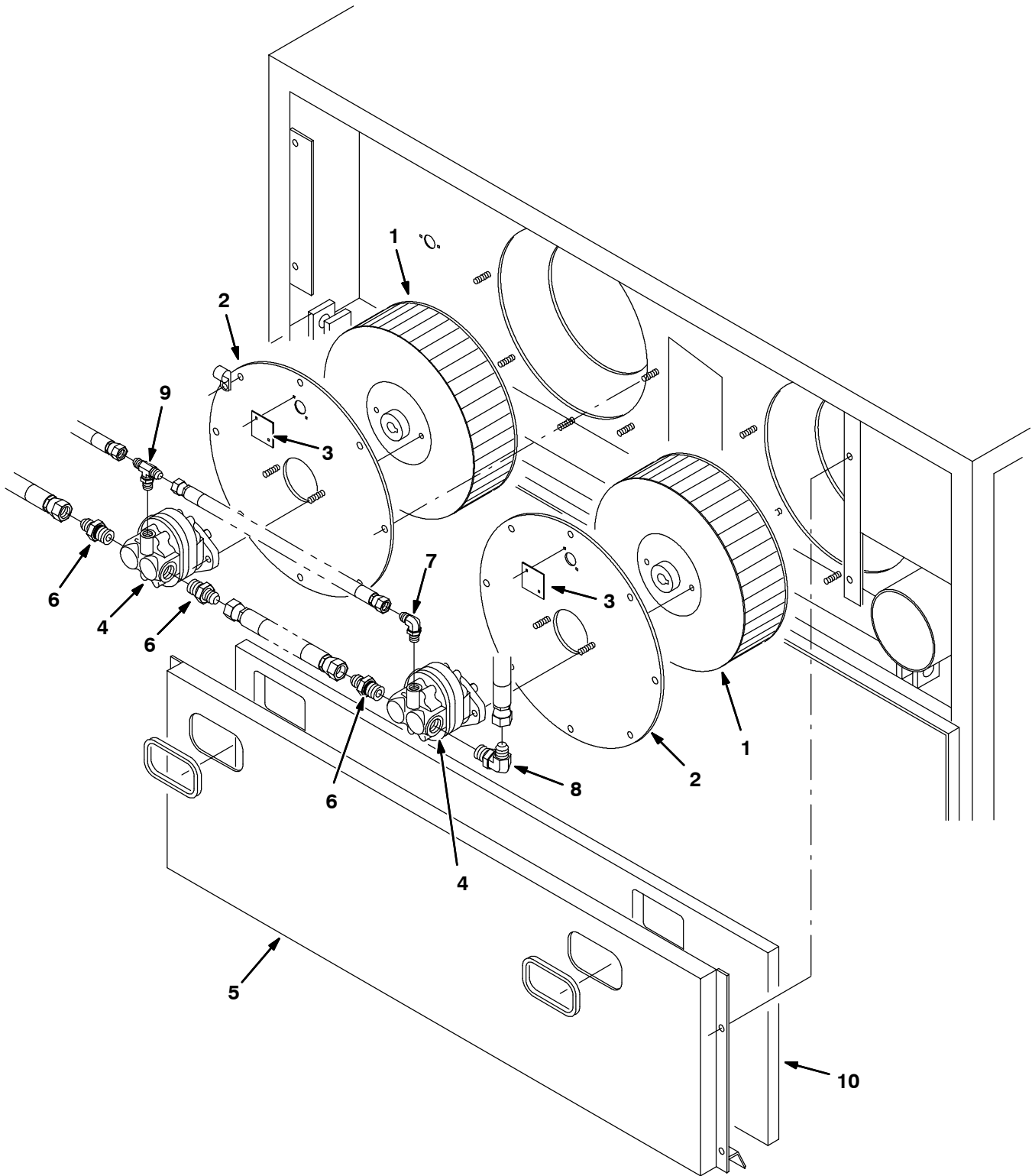


Fig. 27 - Vacuum Fan Group

Ref.	TENNANT Part No.	Machine Number	Serial	Description	Qty.
1	760562	(000000-)	Impeller, Intake	2
2	760560	(000000-)	Plate, Fan Housing	2
3	760566	(000000-)	Plate, Cover, Fan Housing	2
4	762032	(000000-)	Motor, Hyd Vac Fan (See Breakdowns)	2
5	760563	(000000-)	Guard, Motor	1
6	762468	(000000-)	Ftg-Hyd, Str	3
7	762432	(000000-)	Ftg-Hyd, E90	1
8	762469	(000000-)	Ftg-Hyd, E90	1
9	762436	(000000-)	Ftg-Hyd, Tee	1
10	770154	(000000-)	Insulation, Acstc, Vacfan	1

Fig. 28 - Electrical Schematic (000000-003706)

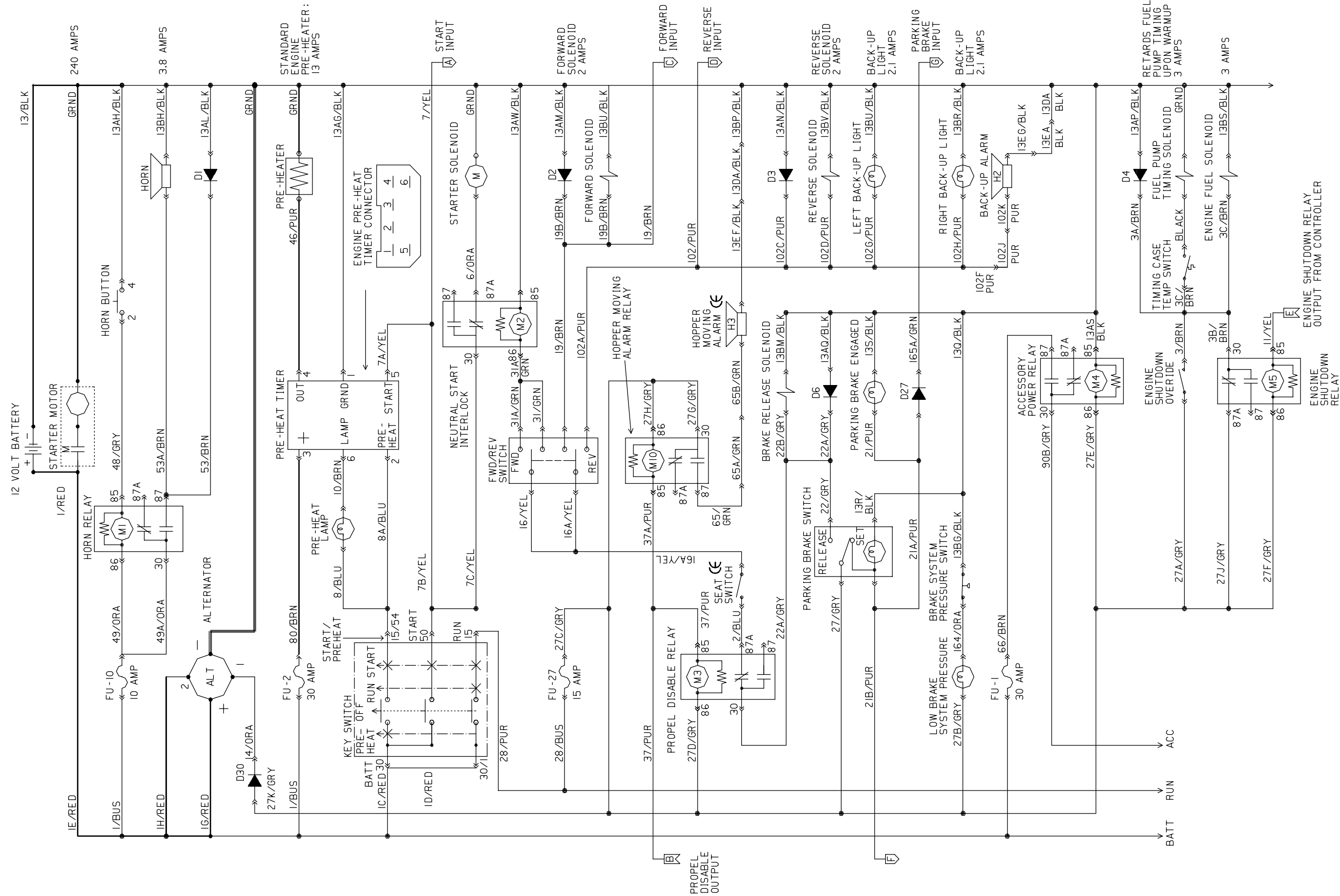


Fig. 28 - Electrical Schematic (00000-003706)

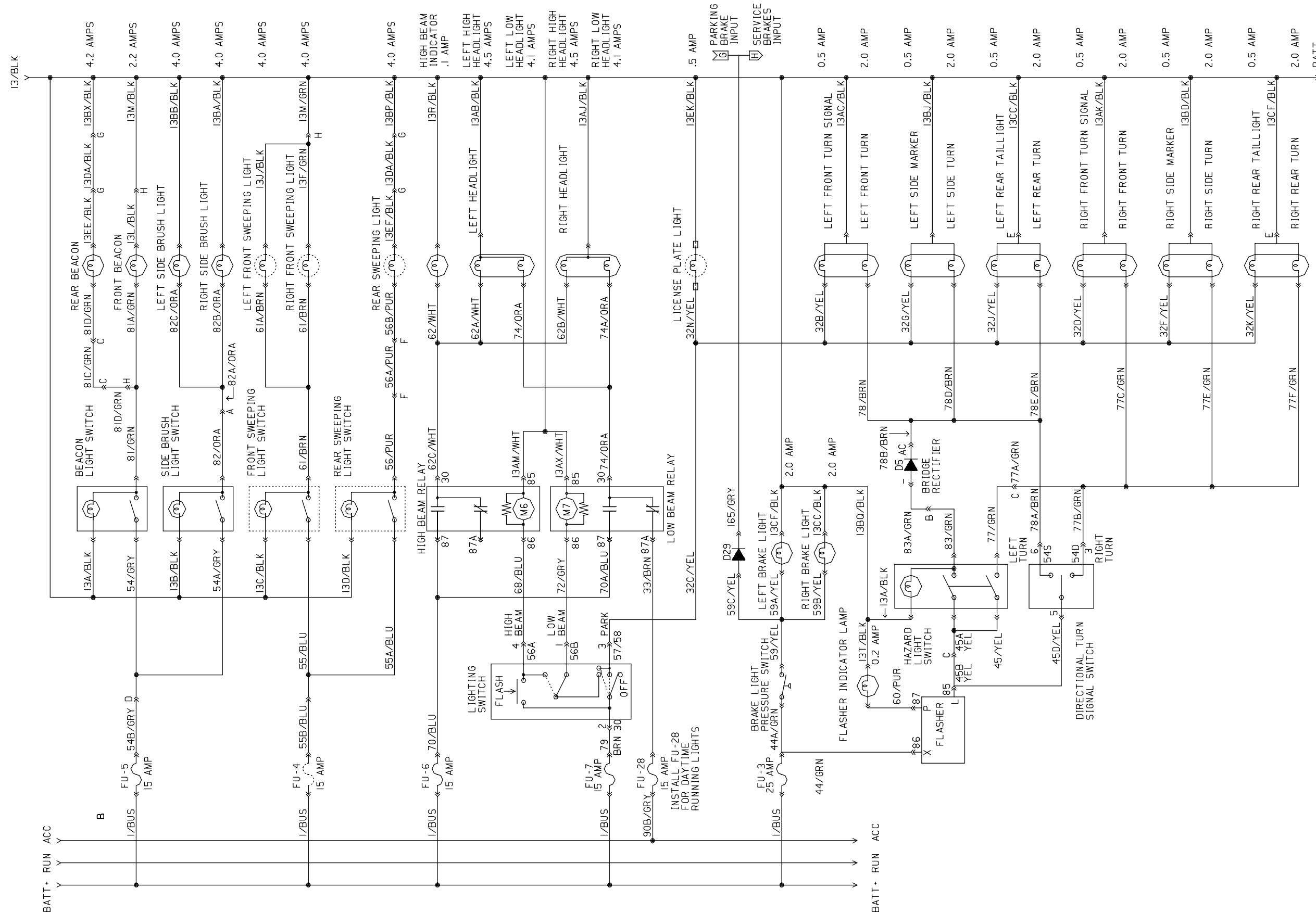
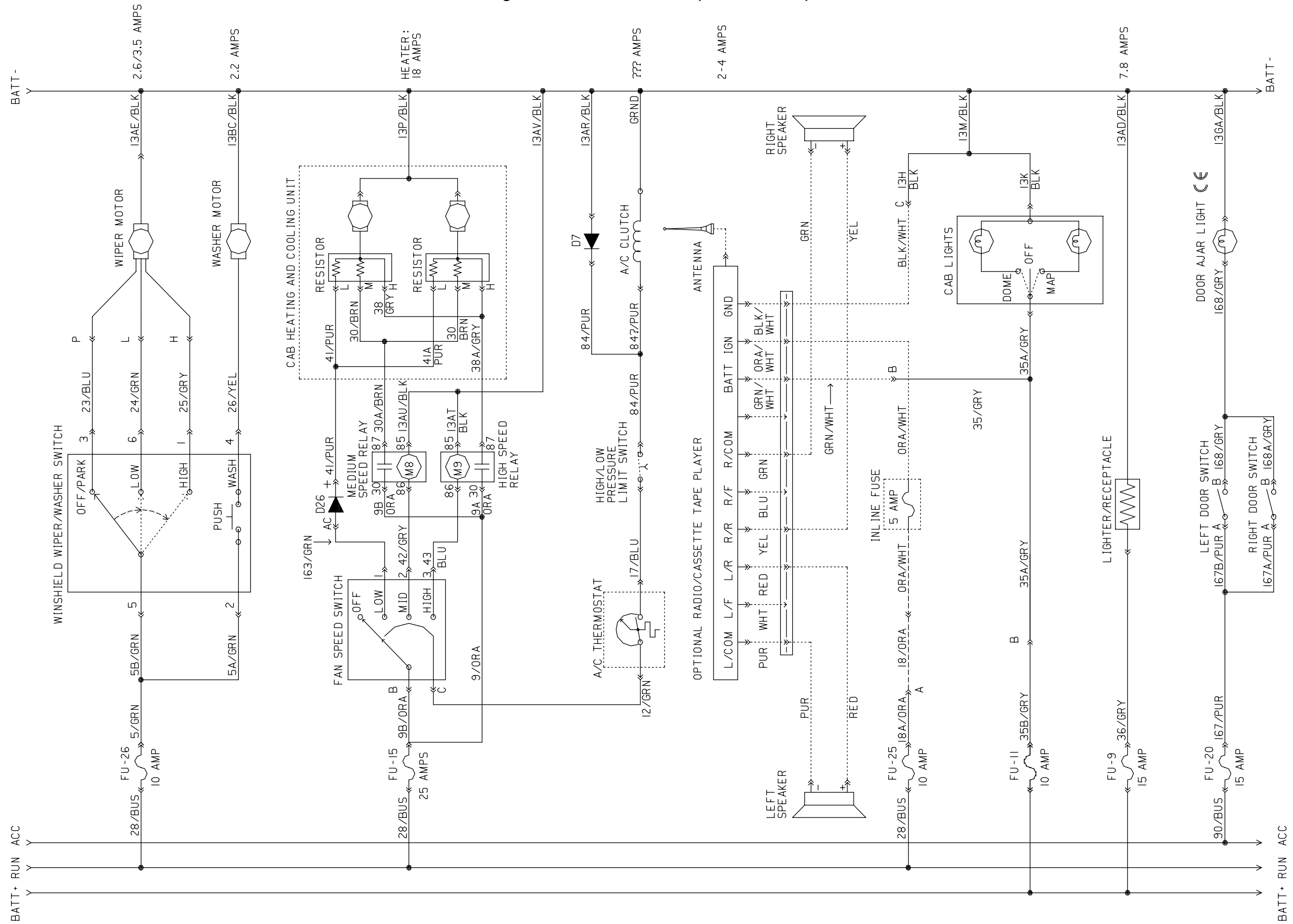


Fig. 28 - Electrical Schematic (00000-003706)



351973

Fig. 28 - Electrical Schematic (00000-003706)

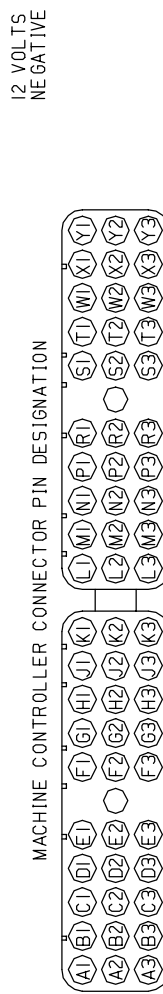
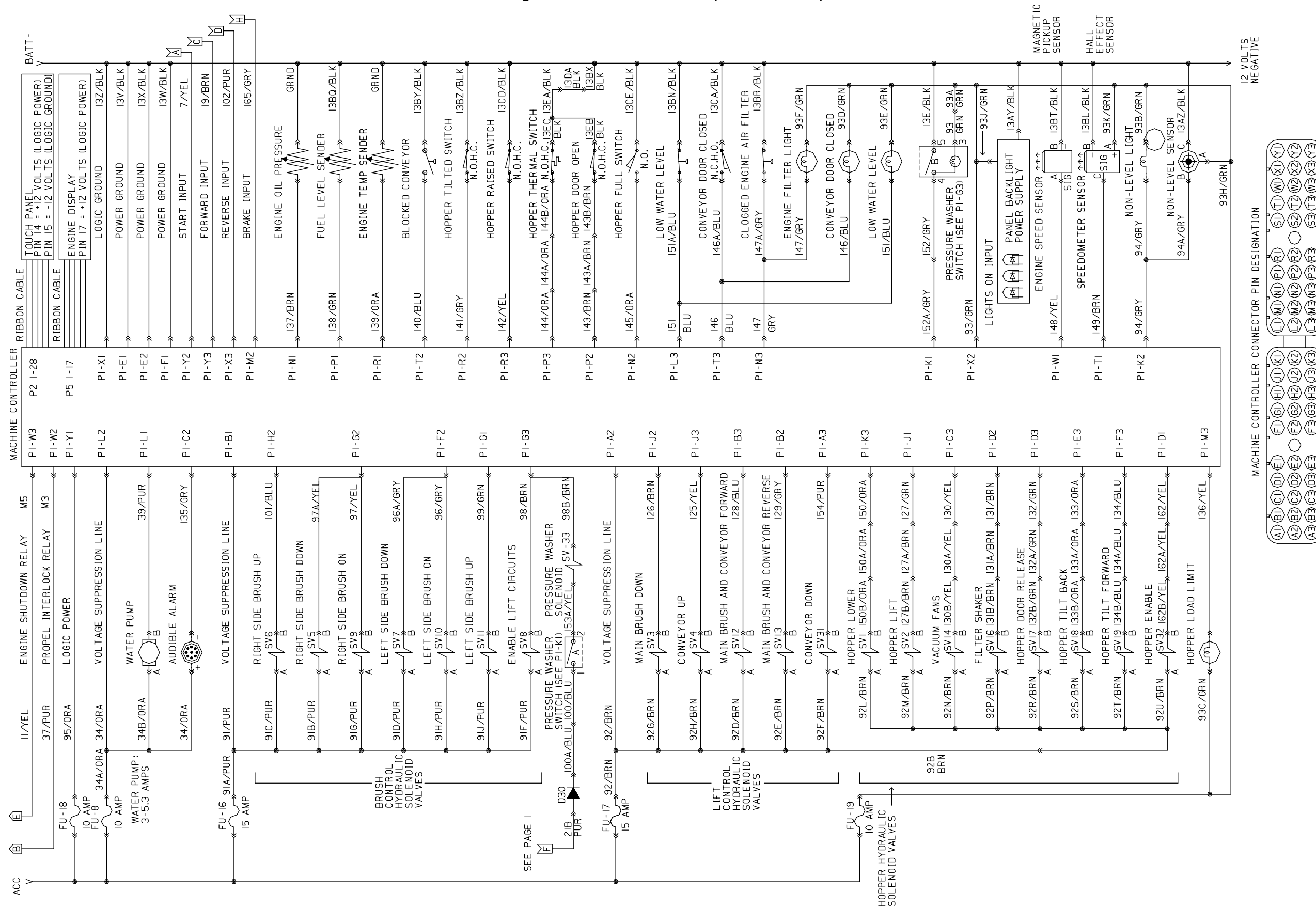


Fig. 28 - Electrical Schematic (00000-003706)

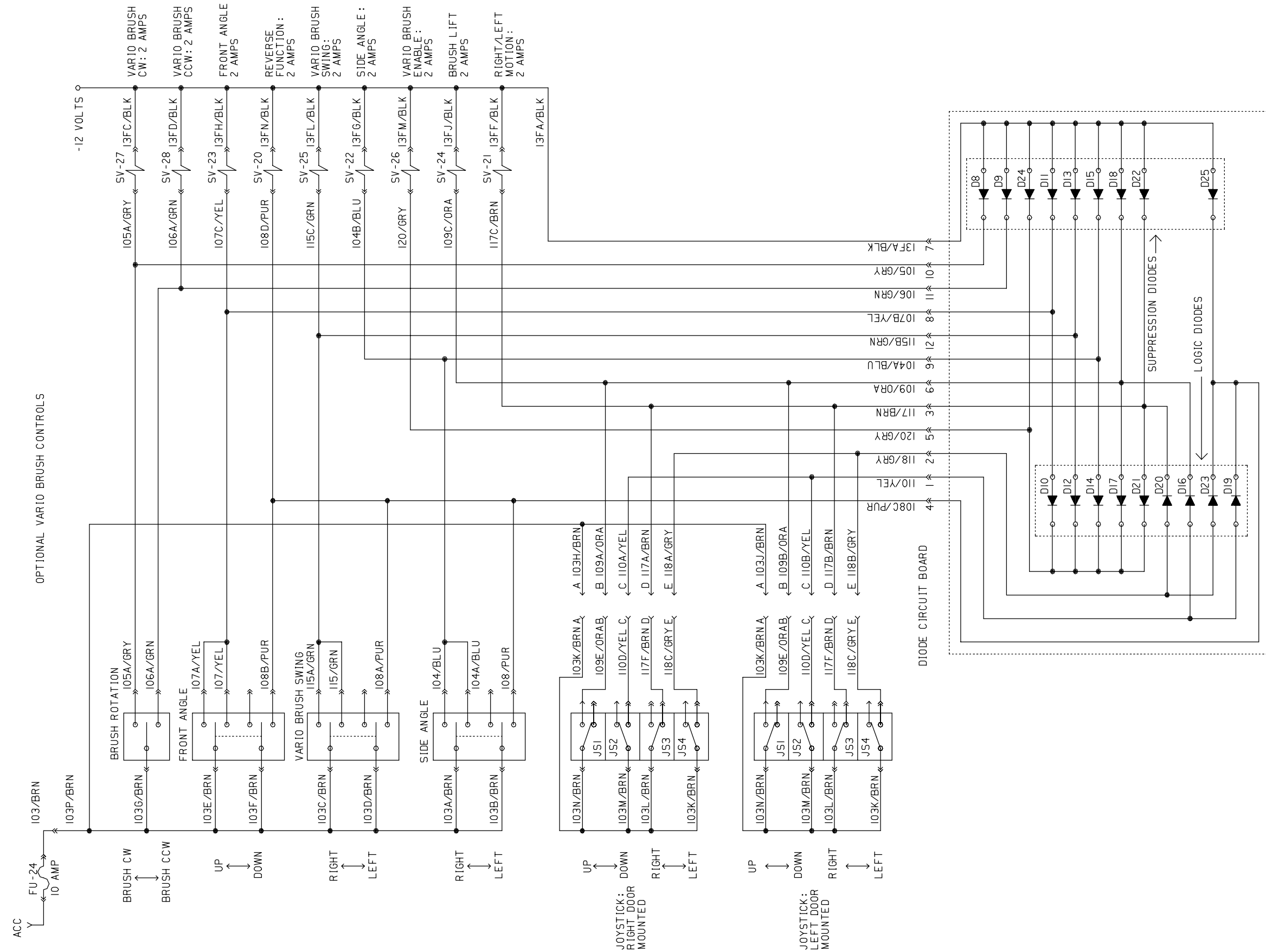


Fig. 28 - Electrical Schematic (000000-003706)

DIODE CIRCUIT BOARD

CONNECTOR, AMP P/N 350433-1

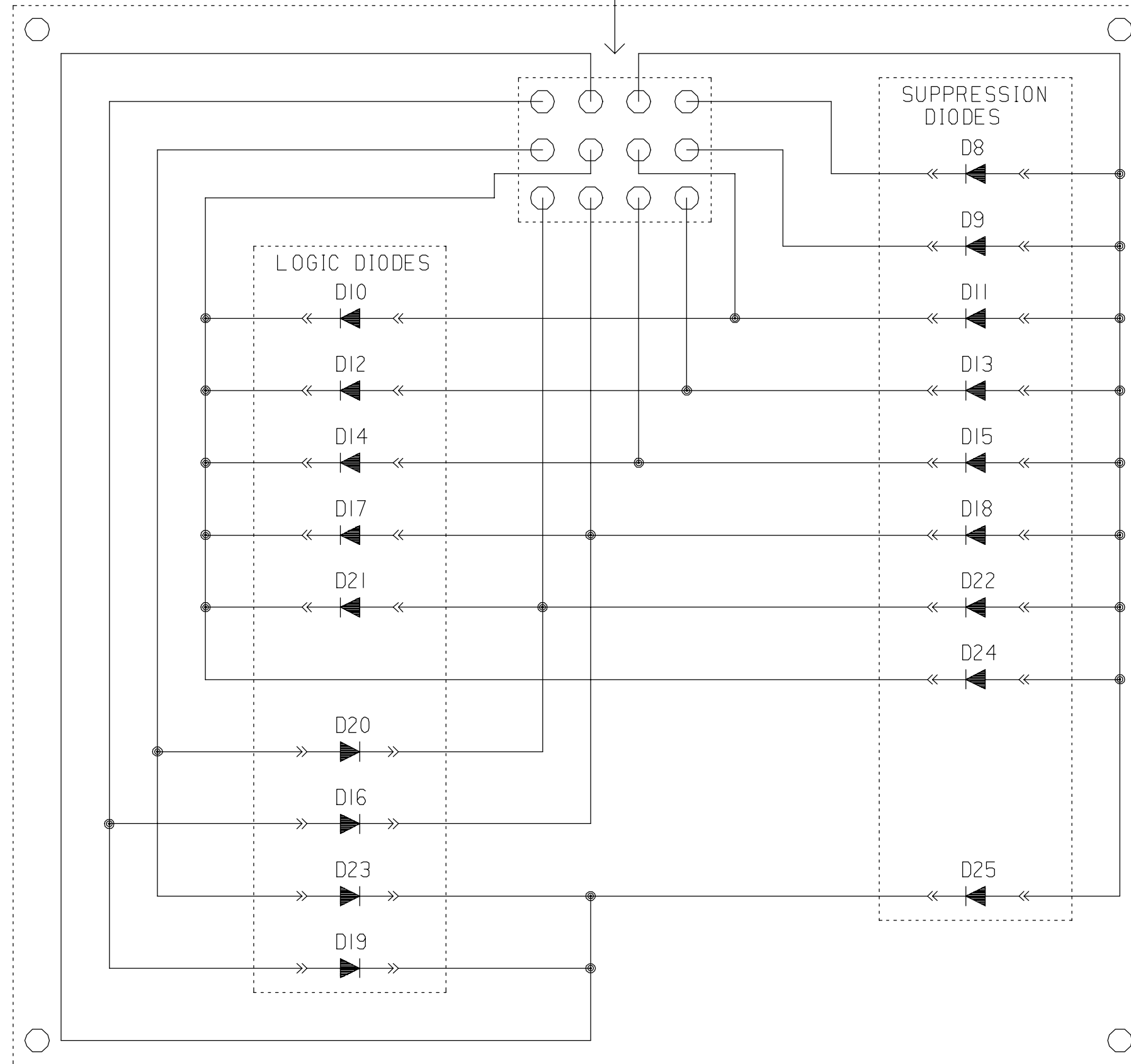


Fig. 29 - Wire Harness Group (00000-003706)

Main Wire Harness

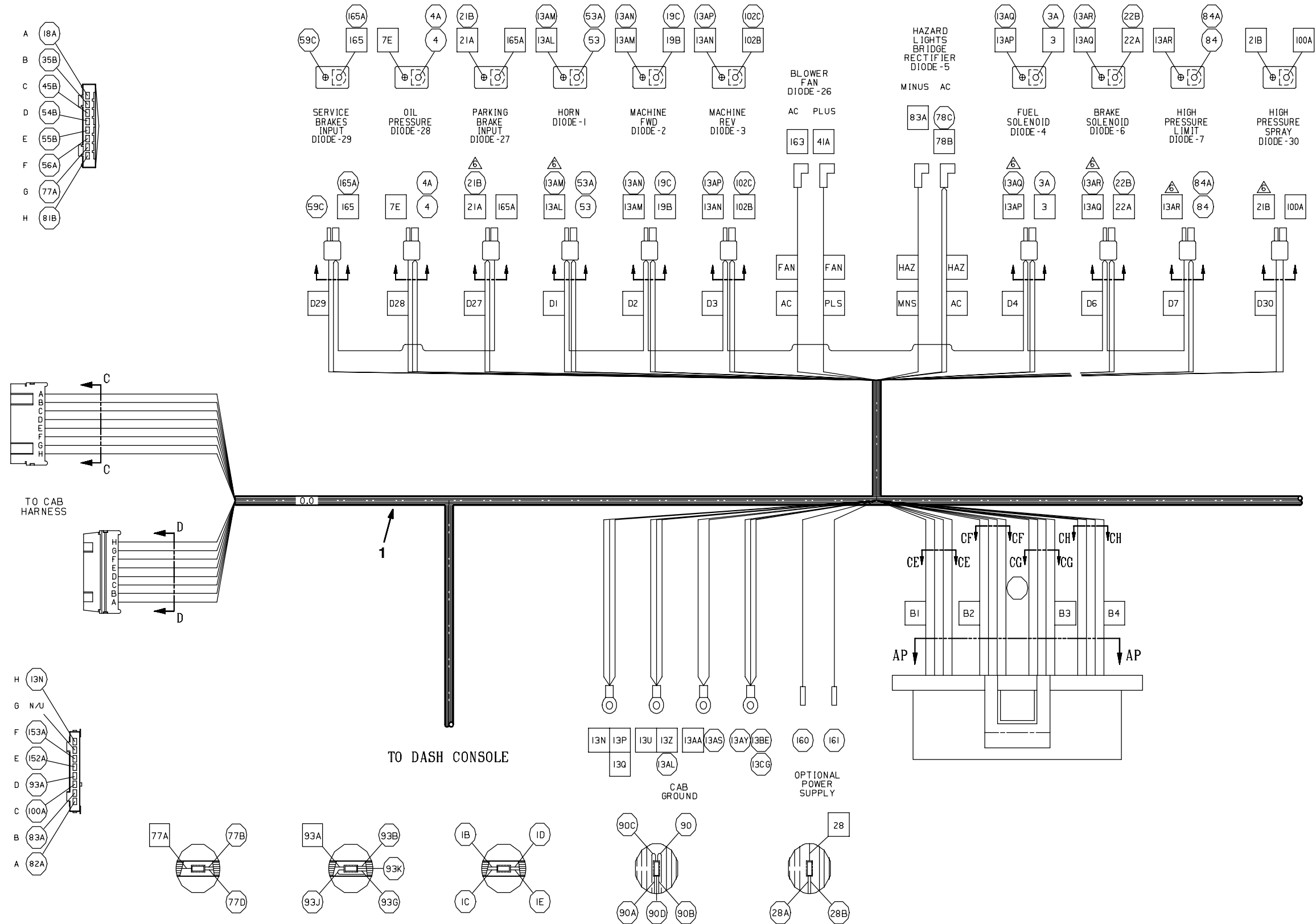


Fig. 29 - Wire Harness Group (000000-003706)

Main Wire Harness

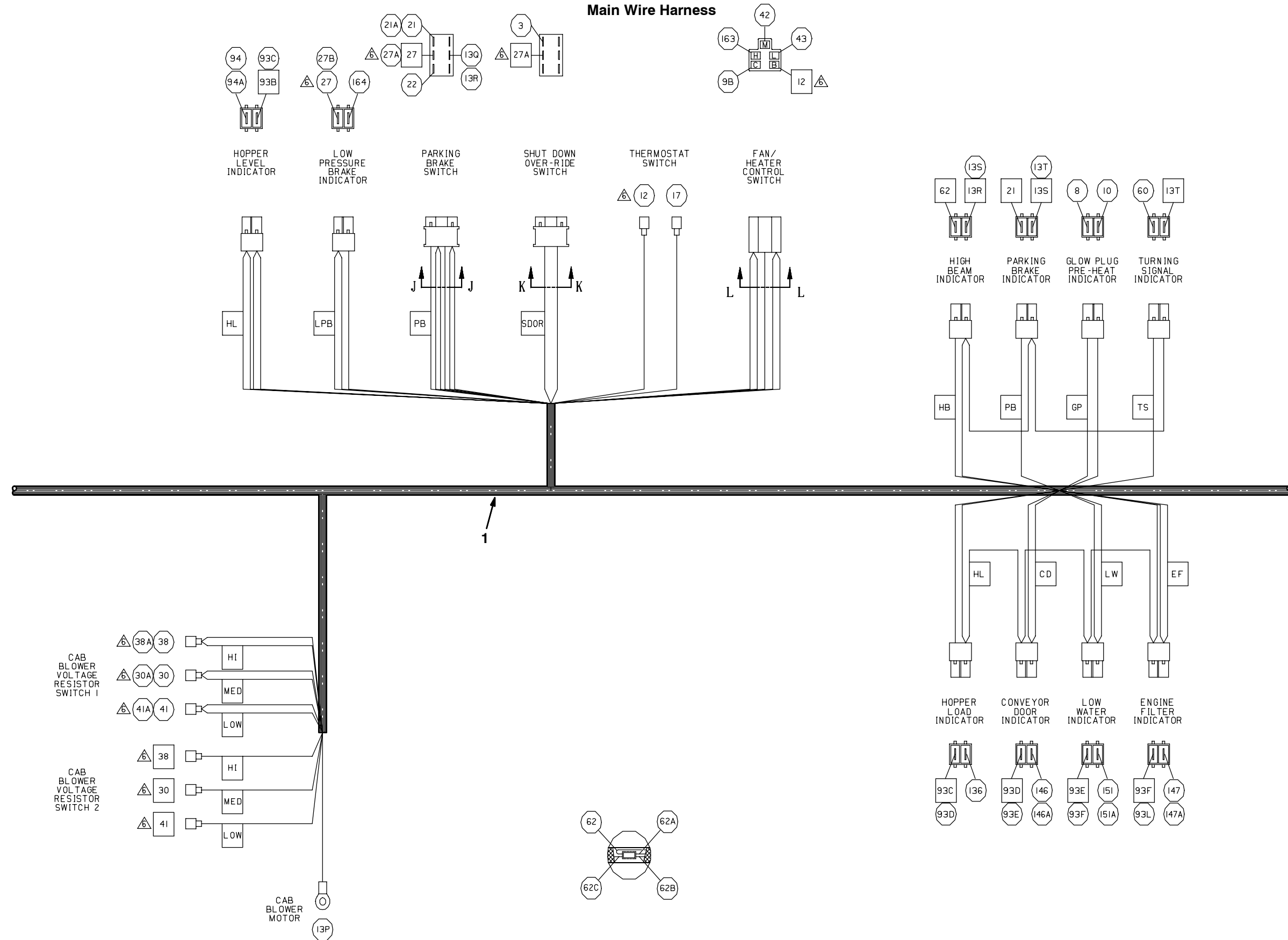


Fig. 29 - Wire Harness Group (000000-003706)

Main Wire Harness

CONNECTOR WIRING			
CONN. B	SOC. NO.	CONN. A	SOC. NO.
○ 39	1-L	× N/U	1-A
× N/U	1-M	○ 91	1-B
○ 137	1-N	× N/U	1-C
○ 138	1-P	○ 162	1-D
○ 139	1-R	□ 13V	1-E
○ 34	2-L	○ 92	2-A
○ 165	2-M	○ 129	2-B
○ 145	2-N	○ 135	2-C
○ 143	2-P	○ 131	2-D
○ 141	2-R	□ 13X	2-E
□ 151	3-L	○ 154	3-A
□ 136	3-M	○ 128	3-B
□ 147	3-N	○ 130	3-C
○ 144	3-P	○ 132	3-D
○ 142	3-R	○ 133	3-E
× N/U	1-S	□ 13W	1-F
○ 149	1-T	○ 99	1-G
○ 148	1-W	× N/U	1-H
○ 13Z	1-X	○ 127	1-J
○ 95	1-Y	□ 152A	1-K
× N/U	2-S	○ 96	2-F
○ 140	2-T	○ 97	2-G
○ 37	2-W	○ 101	2-H
□ 93L	2-X	○ 126	2-J
□ 7	2-Y	□ 94	2-K
× N/U	3-S	○ 134	3-F
□ 146	3-T	○ 98	3-G
○ 11	3-W	× N/U	3-H
□ 102	3-X	○ 125	3-J
□ 19	3-Y	○ 150	3-K

PLUGS-SEE ITEM #10 & #11

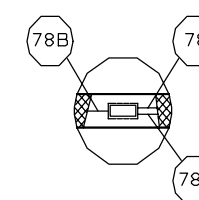
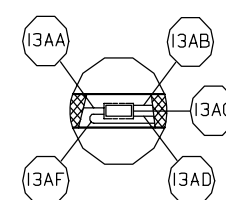
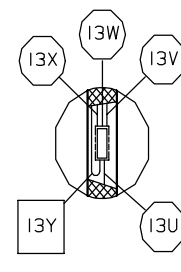
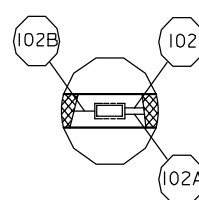
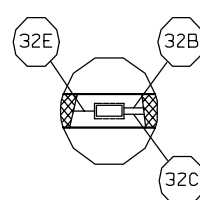
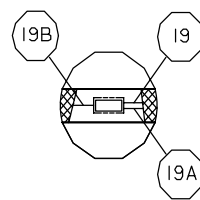
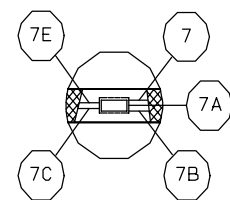
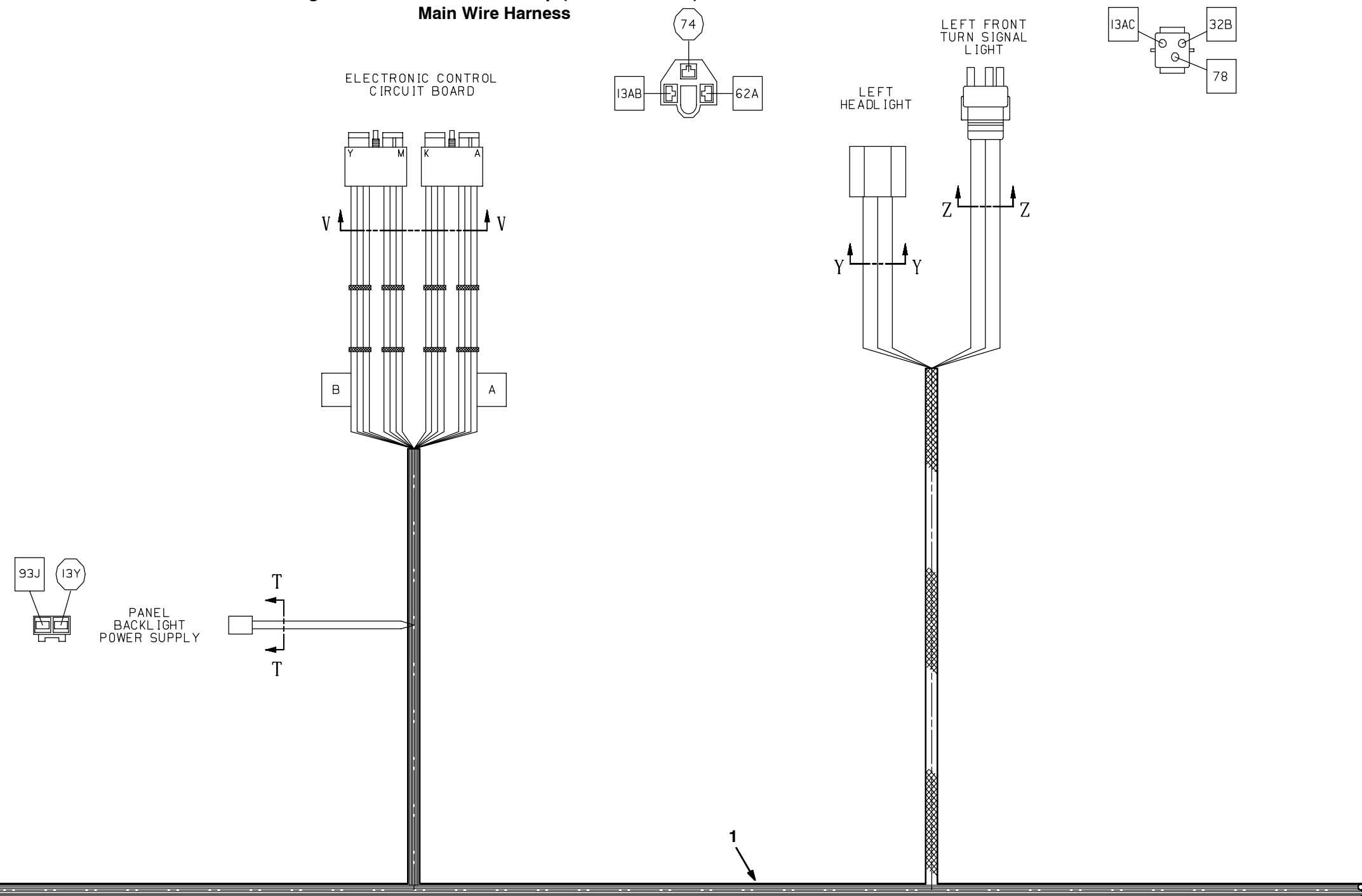


Fig. 29 - Wire Harness Group (000000-003706)

Main Wire Harness

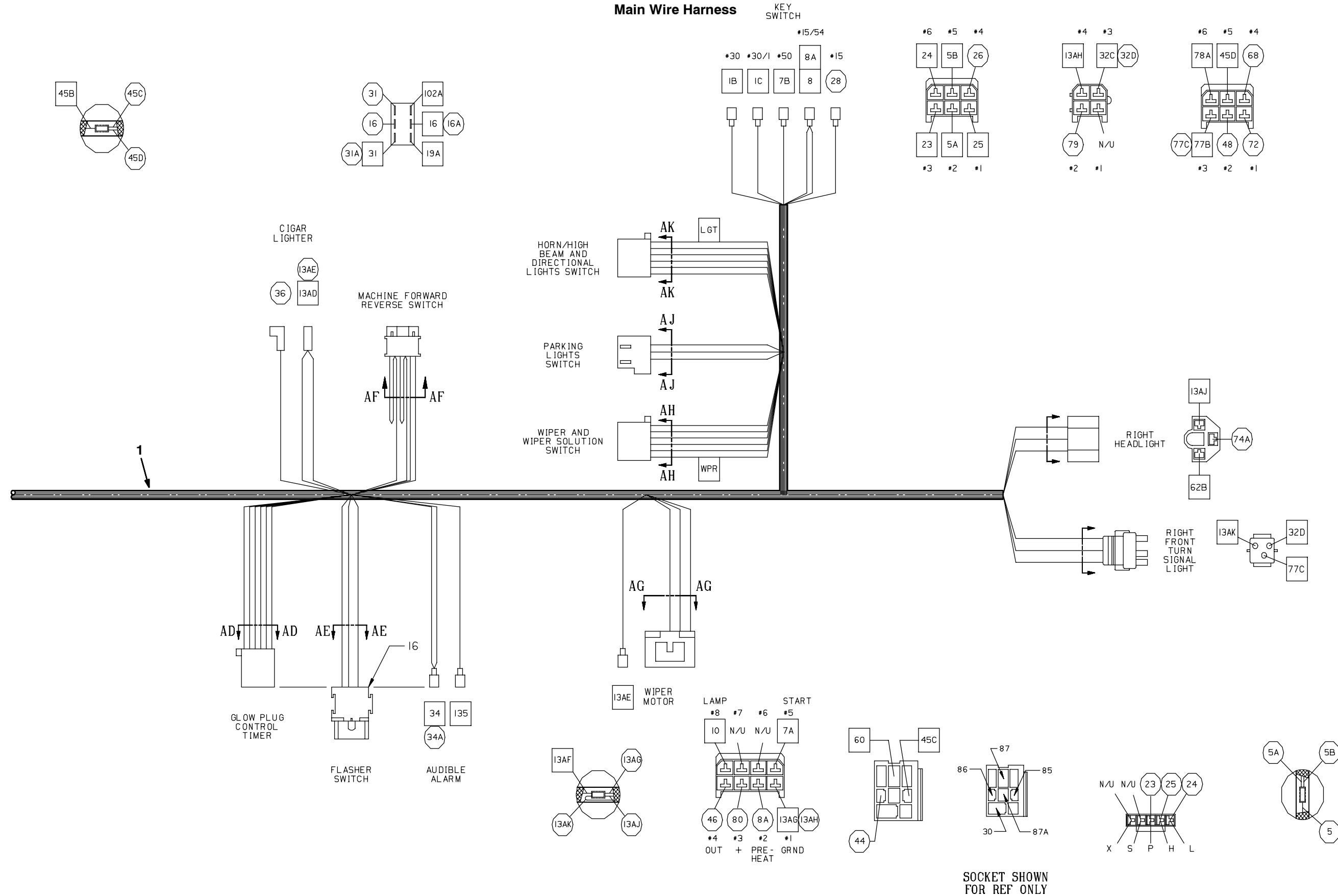


Fig. 29 - Wire Harness Group (000000-003706)

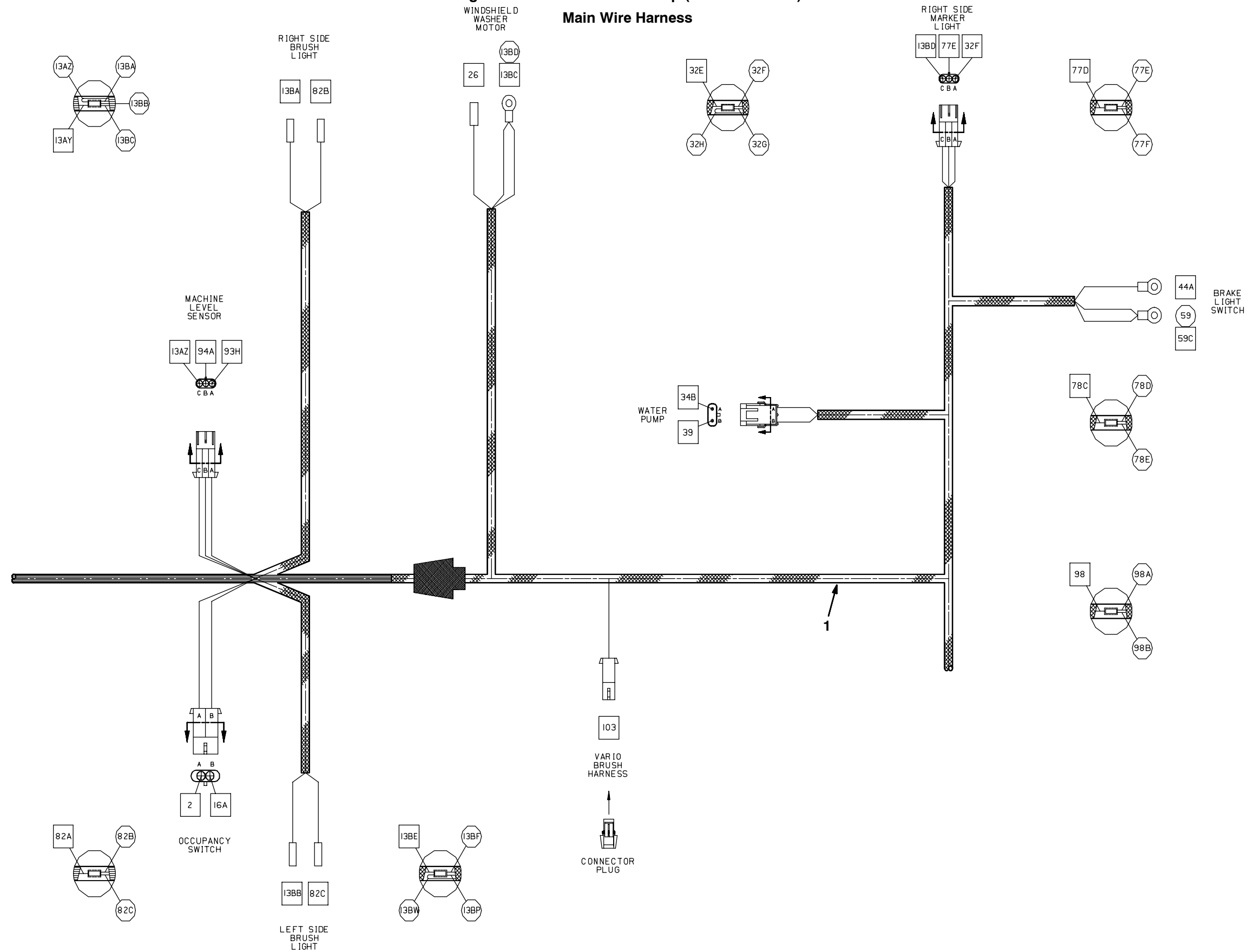


Fig. 29 - Wire Harness Group (000000-003706)

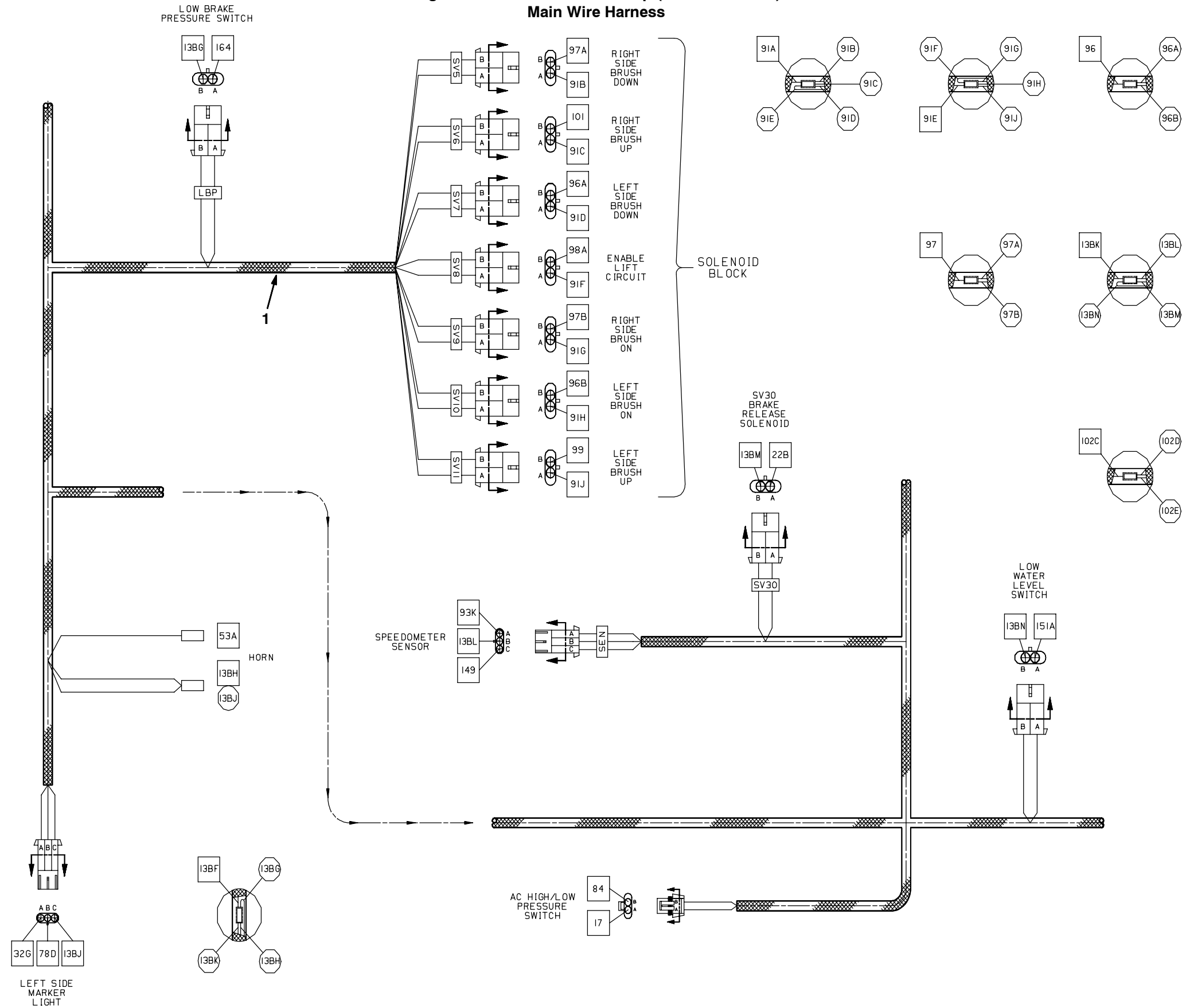


Fig. 29 - Wire Harness Group (000000-003706)

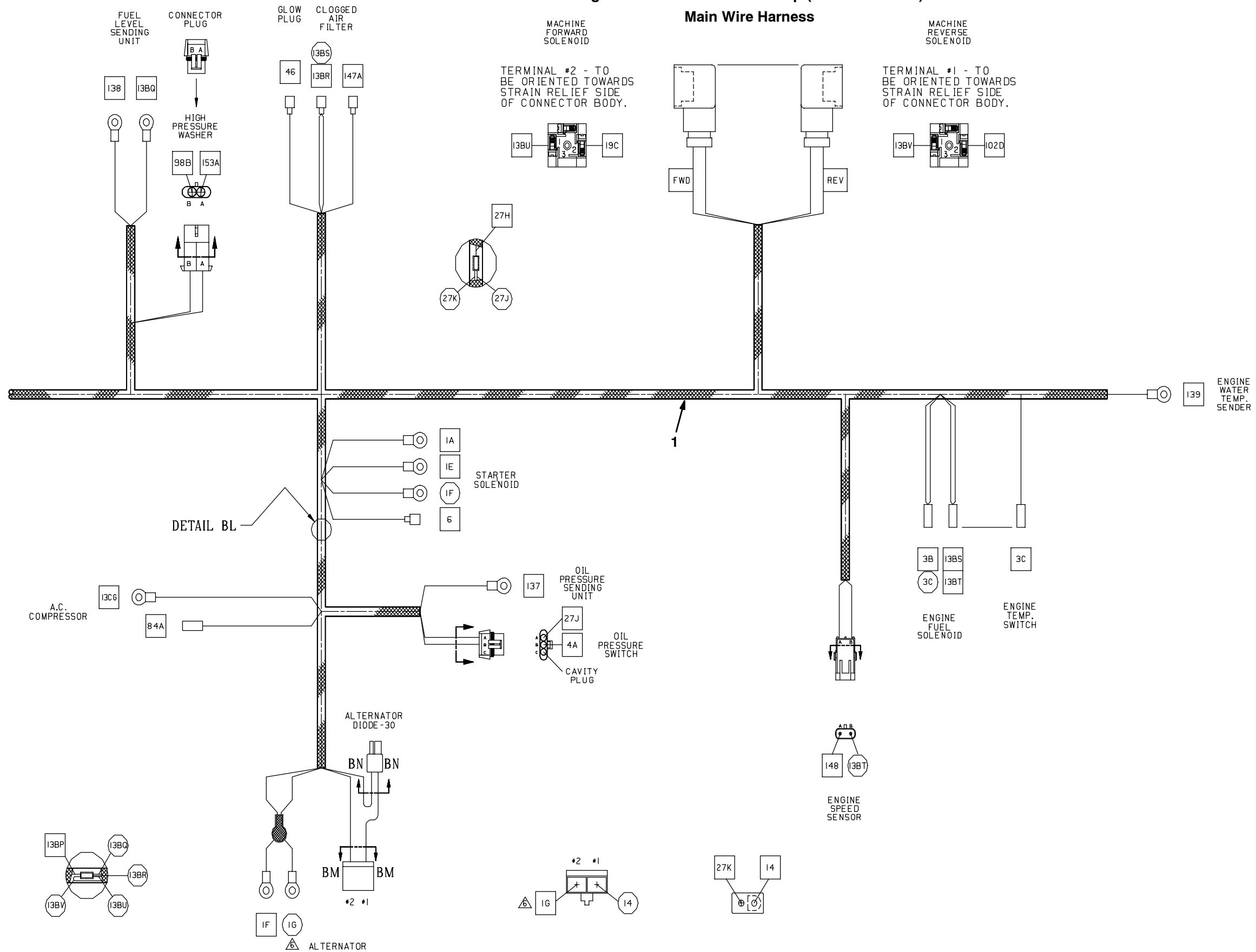


Fig. 29 - Wire Harnesses Group (000000-003706)

Main Wire Harness

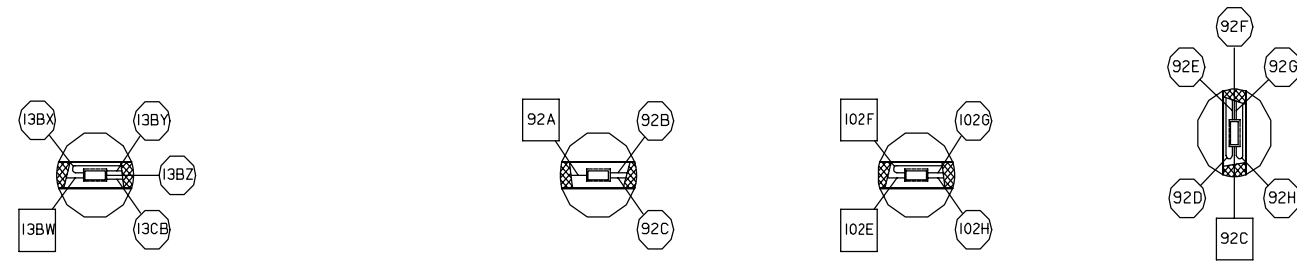
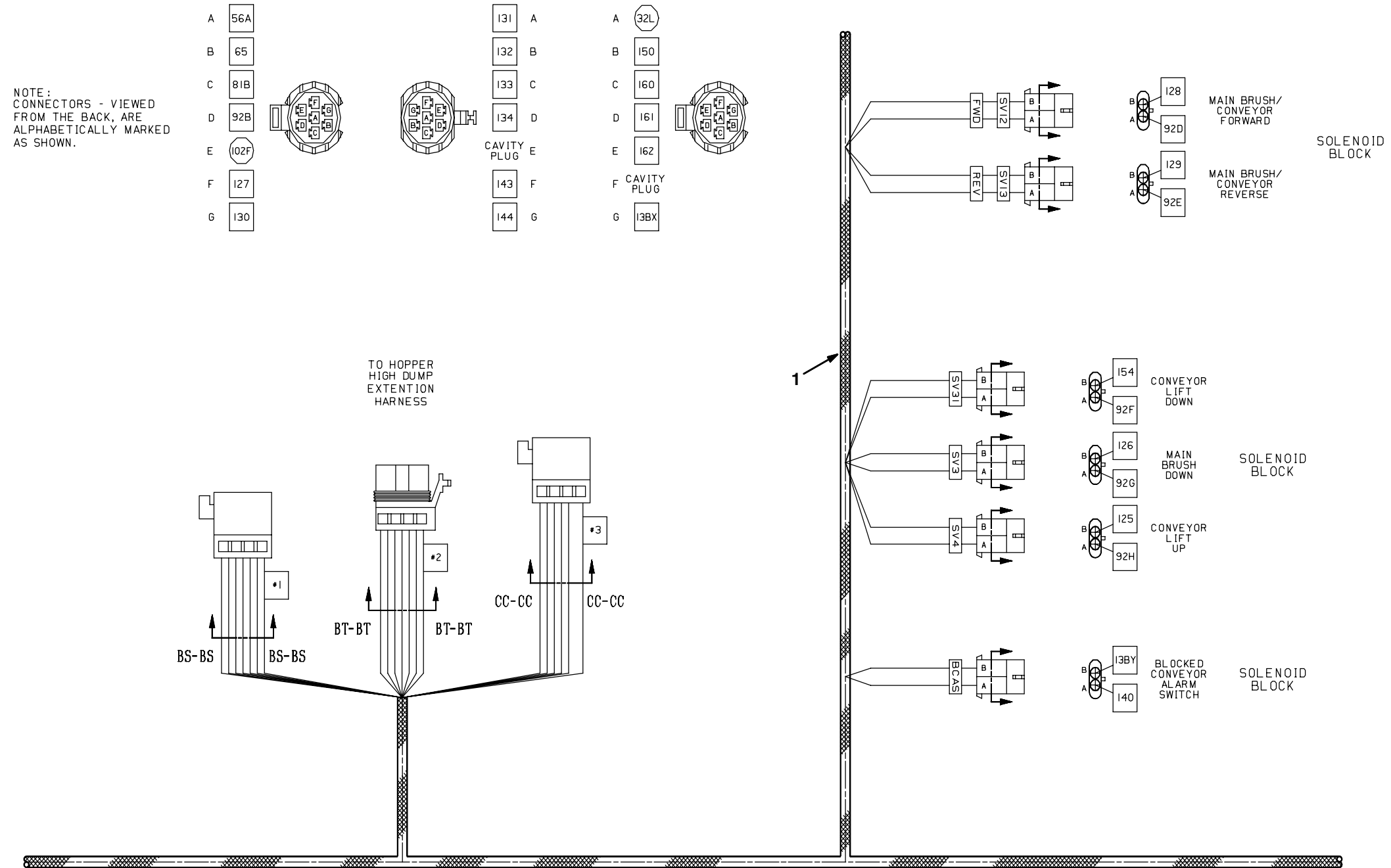


Fig. 29 - Wire Harnesses Group (000000-003706)

Main Wire Harness

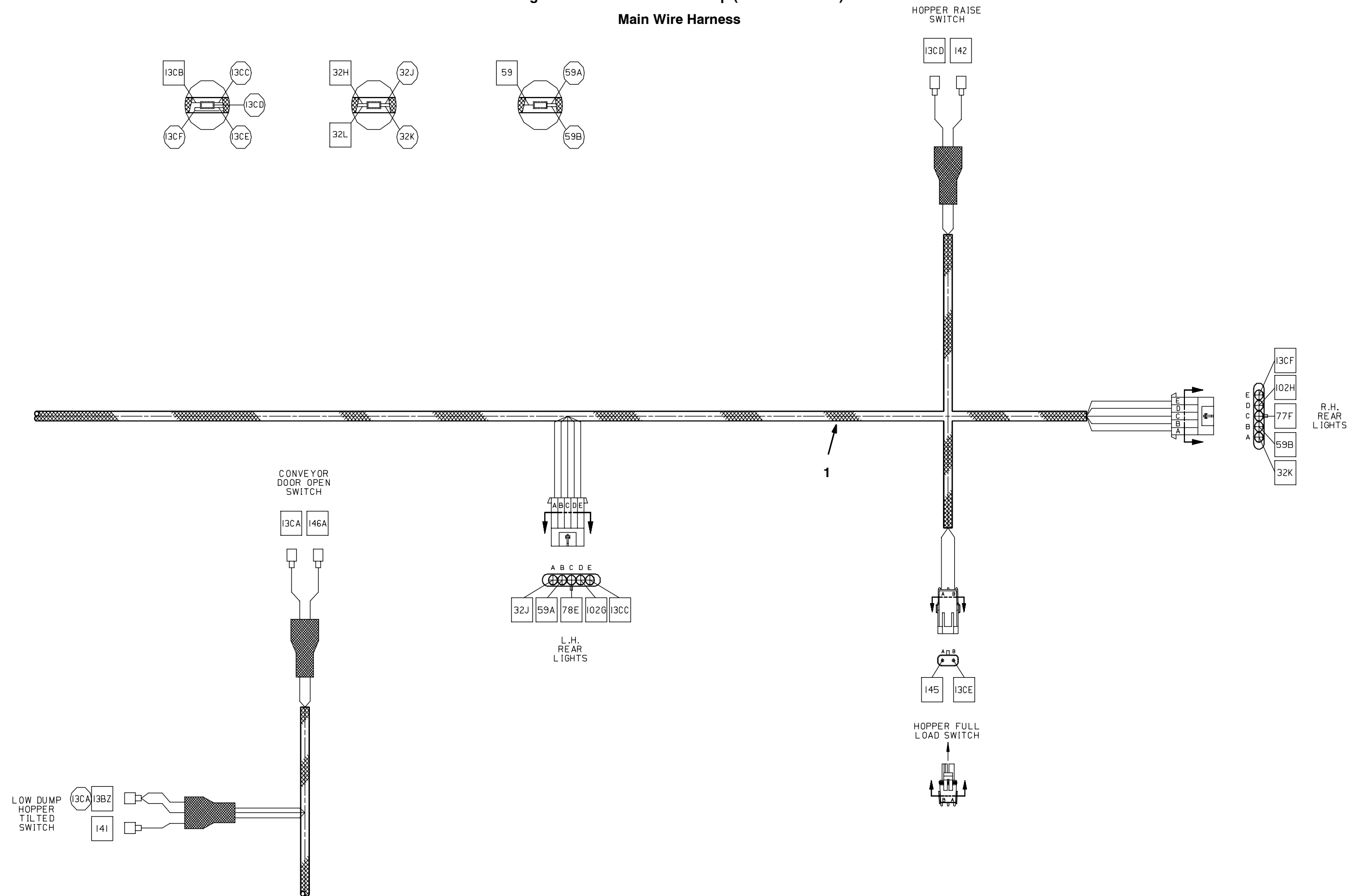


Fig. 29 - Wire Harness Group (000000-003706)
Cab Wire Harness

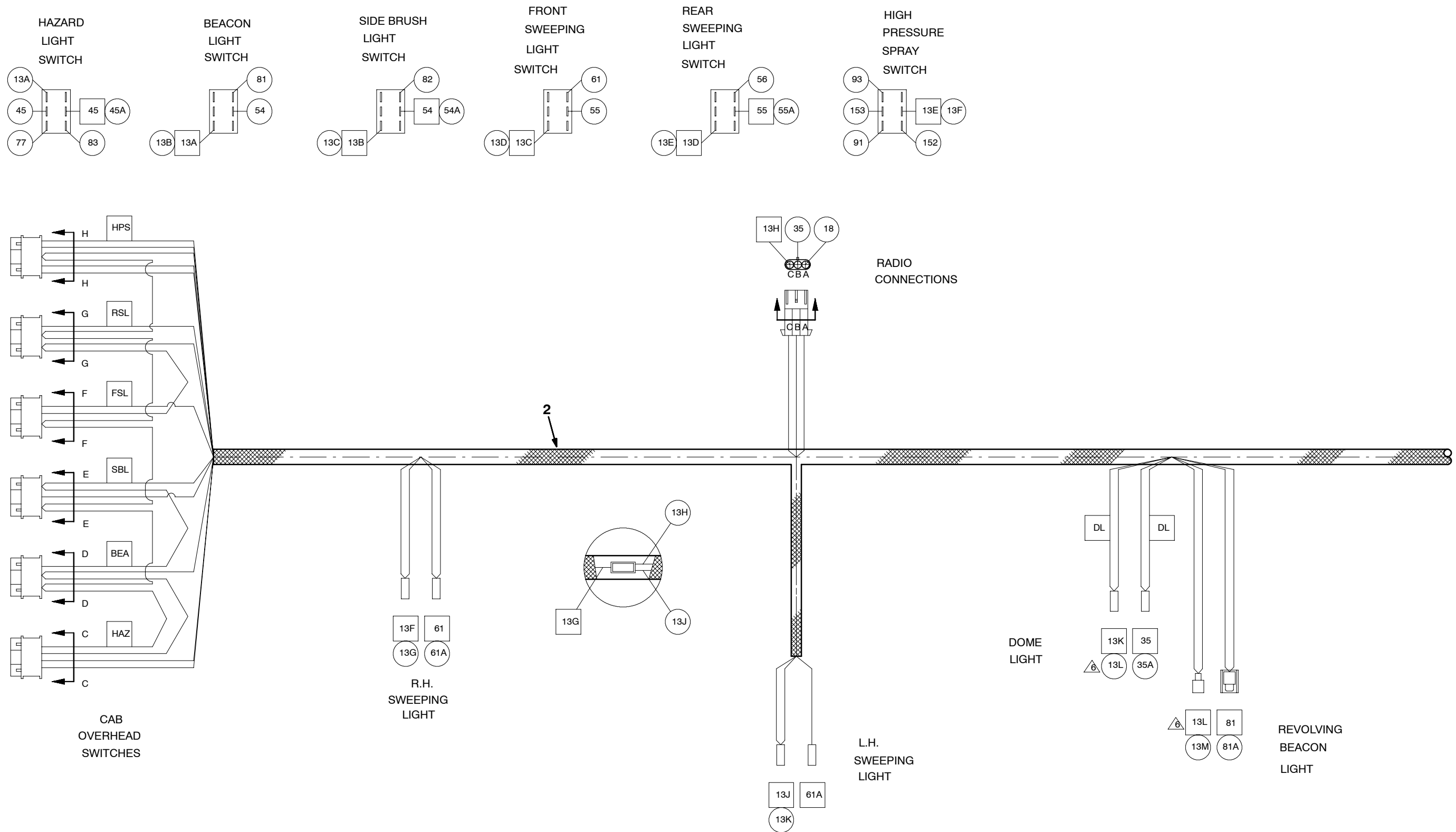
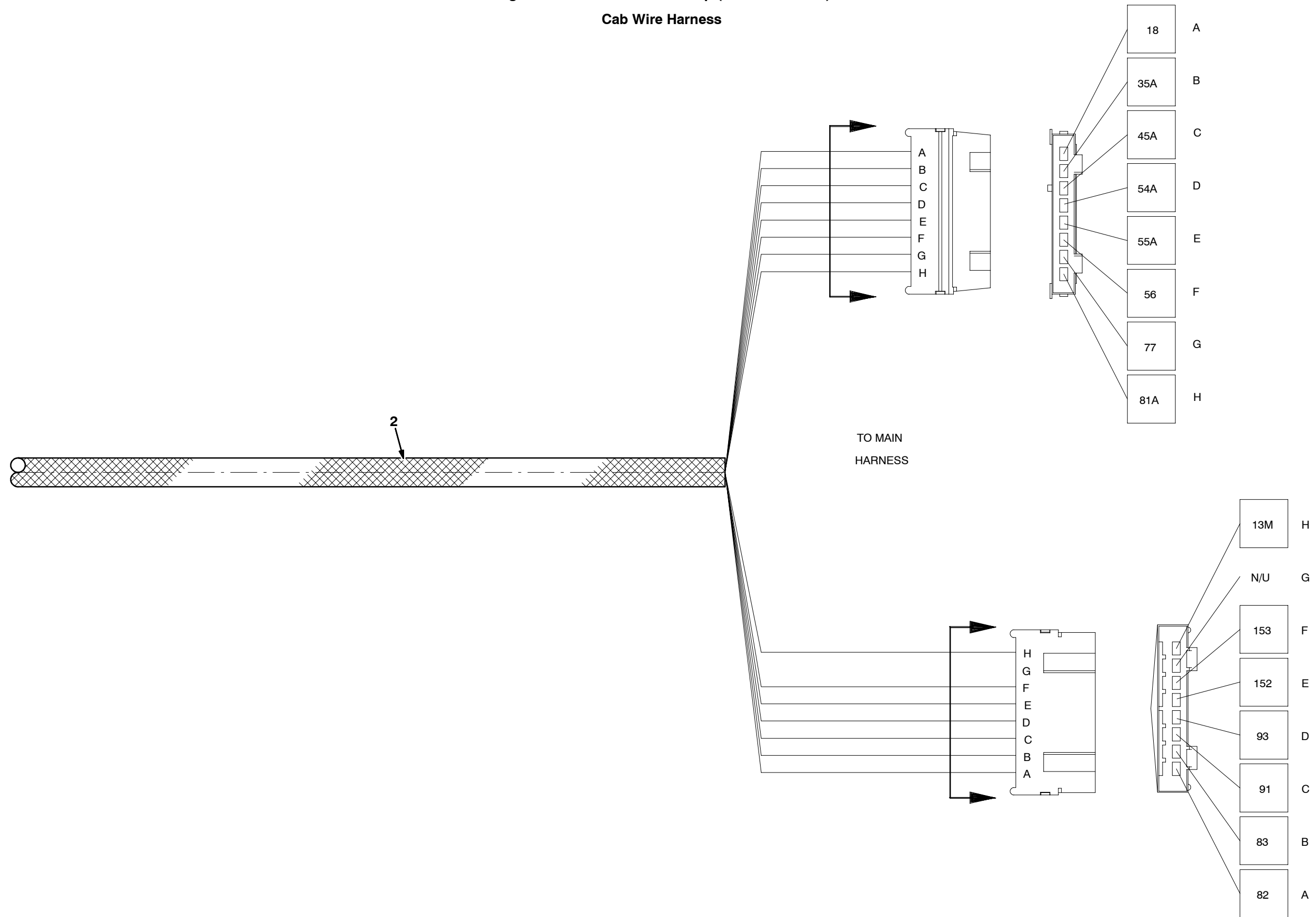


Fig. 29 - Wire Harnesses Group (000000-003706)

Cab Wire Harness



351976

Fig. 29 - Wire Harnesses Group (000000-003706)

Vario Brush Control Wire Harness (Optional)

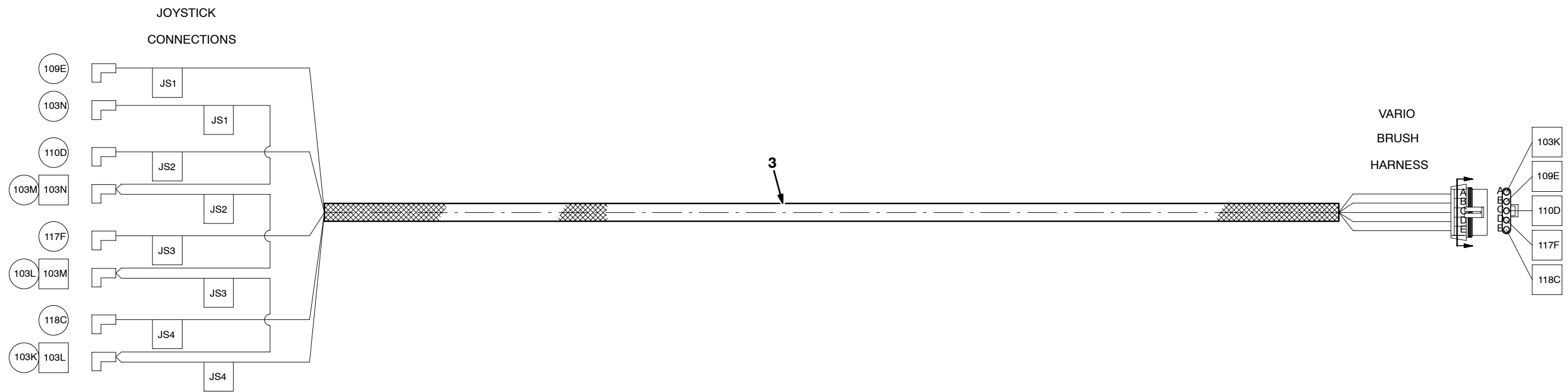


Fig. 29 - Wire Harness Group (000000-003706)

Vario Brush Wire Harness (Optional)

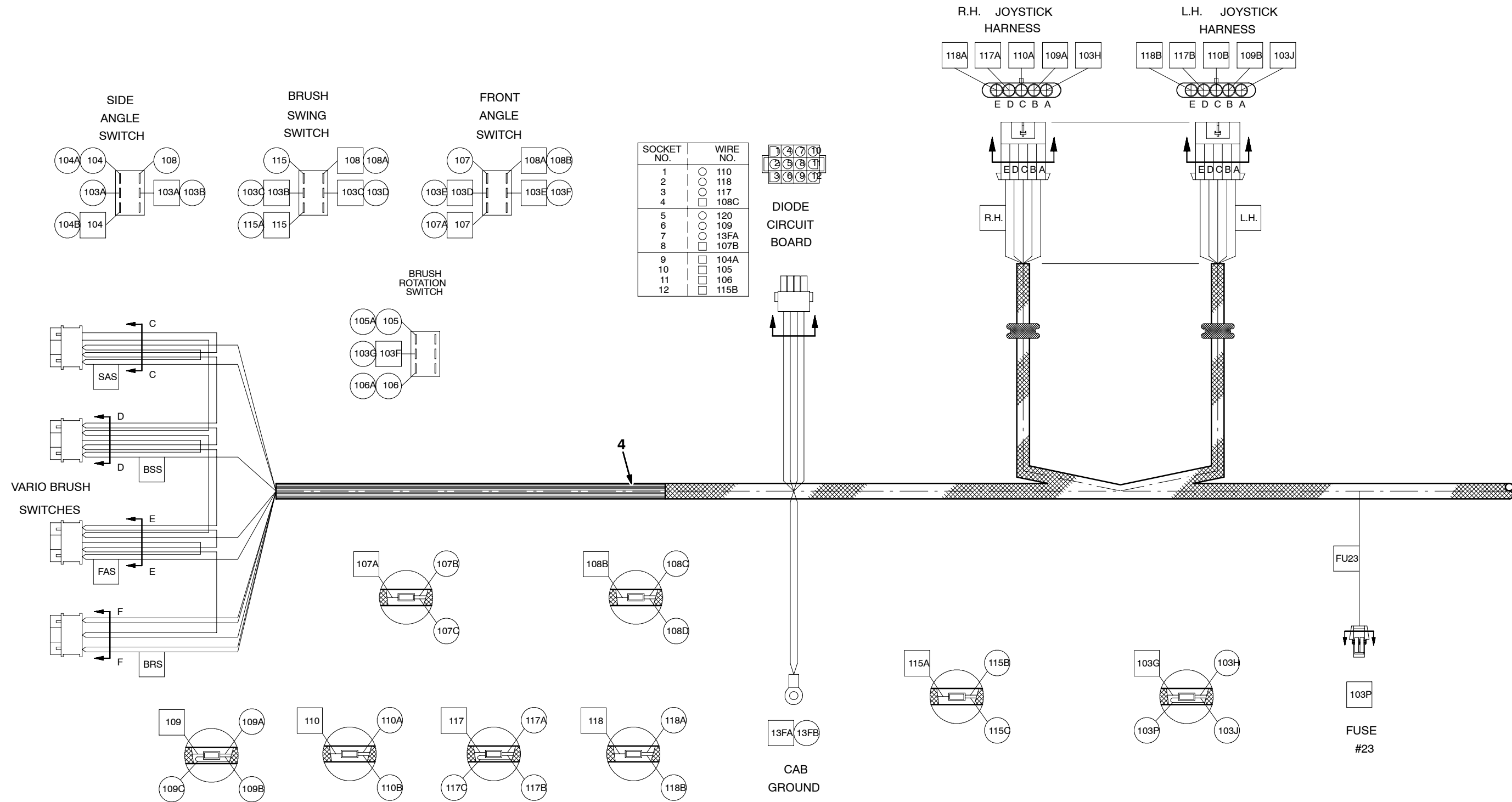


Fig. 29 - Wire Harness Group (000000-003706)

~~Hopper Lift~~ Wire Harness (Optional)
Vario Brush

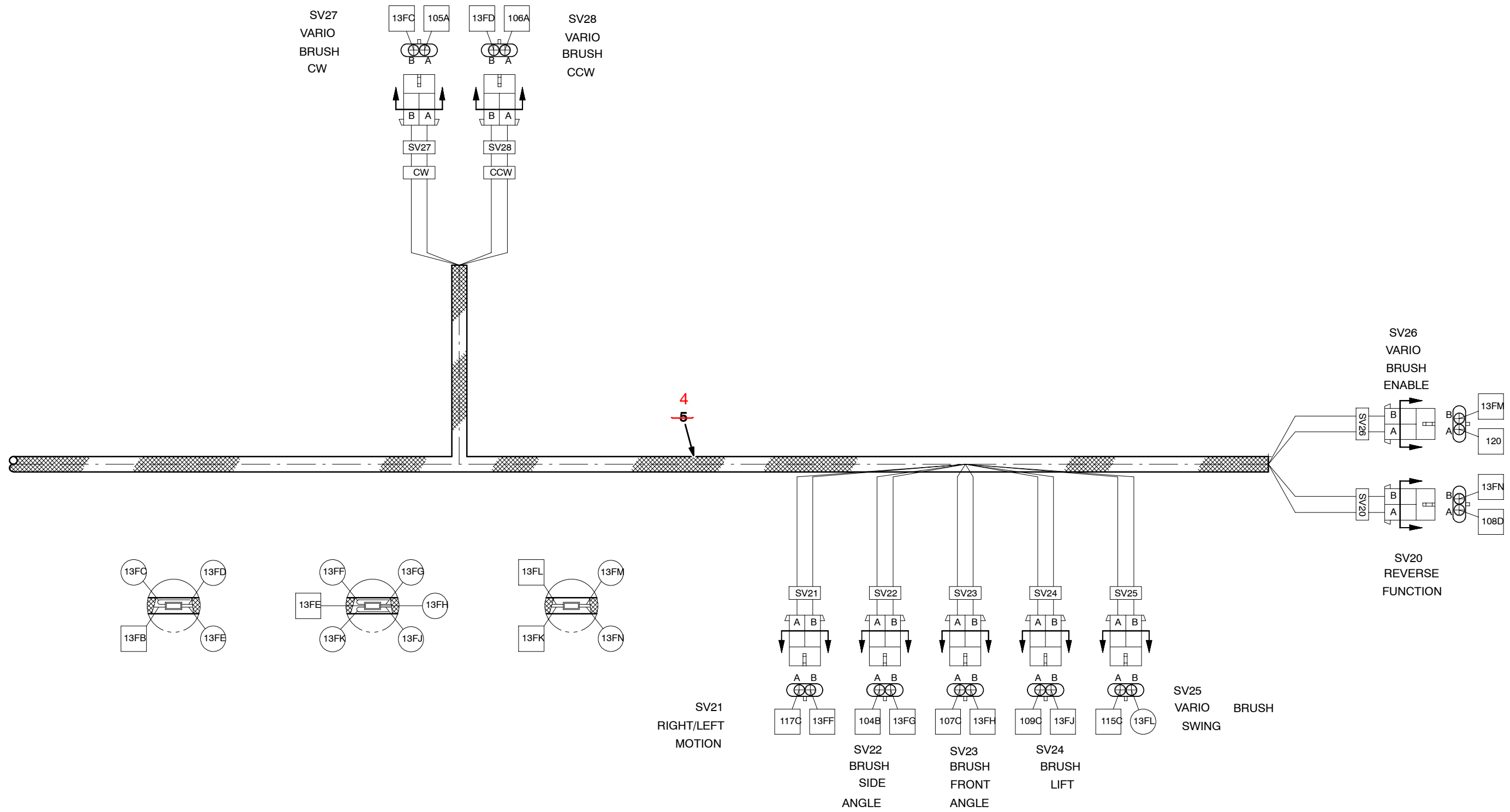
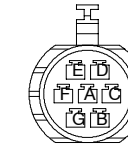
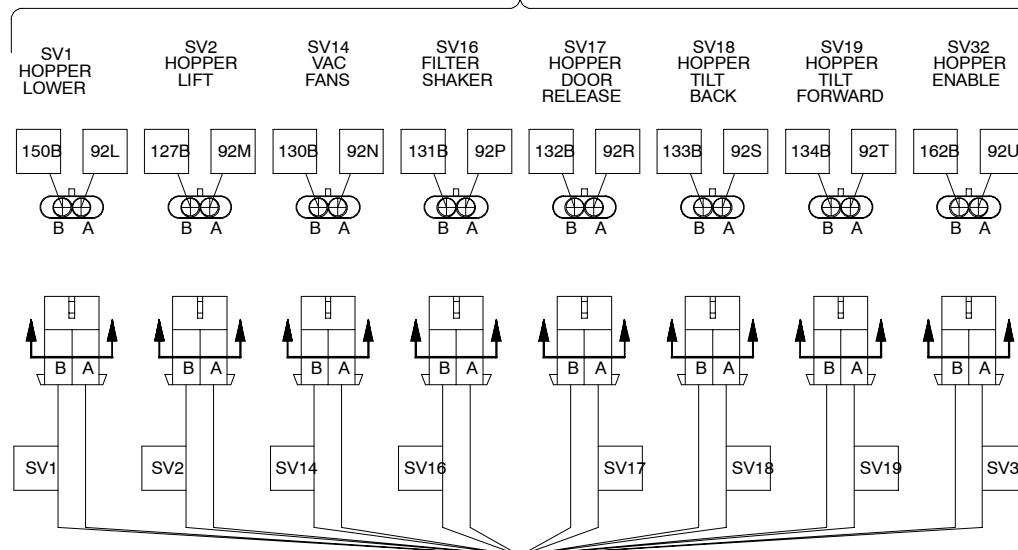
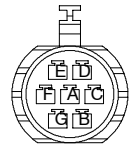


Fig. 29 - Wire Harnesses Group (000000-003706)

Hopper Wire Harness

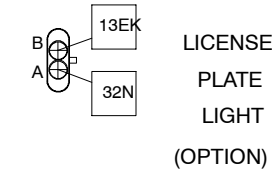
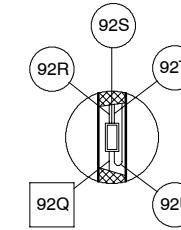
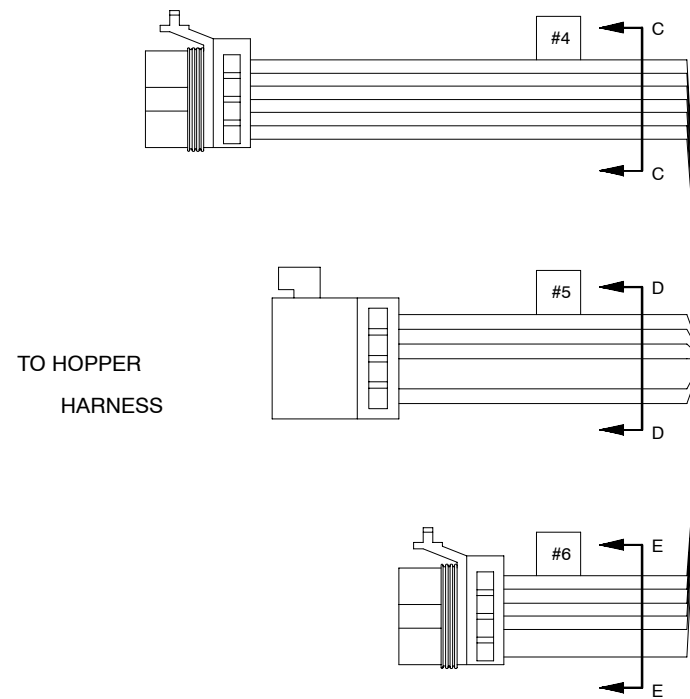
HOPPER SOLENOID VALVES

- A 56C
 - B 65B
 - C 81D
 - D 92K
 - E 102K
 - F 127B
 - G 130B
- NOTE:
CONNECTOR - VIEWED
FROM THE BACK, ARE
ALPHABETICALLY MARKED
AS SHOWN.

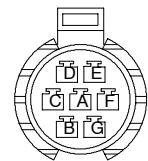


- 32N A
- 150B B
- 160B C
- 161B D
- 162B E
- NOT USED F
- 13EA G

NOTE:
CONNECTOR - VIEWED
FROM THE BACK, ARE
ALPHABETICALLY MARKED
AS SHOWN.



NOTE:
CONNECTOR - VIEWED
FROM THE BACK, ARE
ALPHABETICALLY MARKED
AS SHOWN.



- 131B A
- 132B B
- 133B C
- 134B D
- NOT USED E
- 143B F
- 144B G

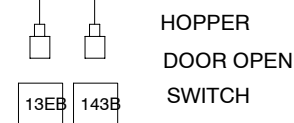
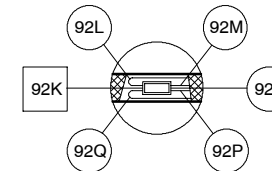
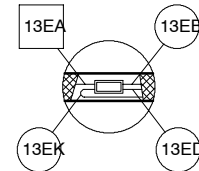


Fig. 29 - Wire Harnesses Group (000000-003706)

Hopper Wire Harness

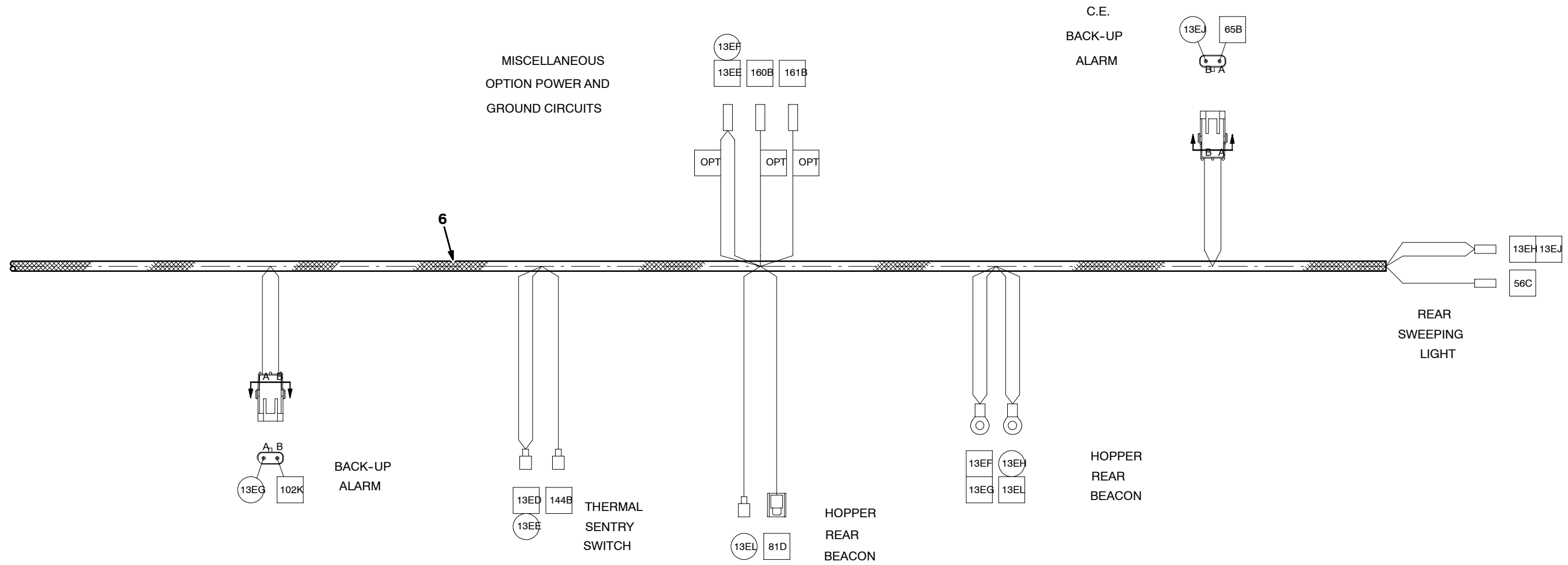


Fig. 29 - Wire Harnesses Group (000000-003706)

Ref.	TENNANT Part No.	Machine Number	Serial	Description	Qty.
1	768560	(000000-003706)		Harness, Main, Wire	1
2	768561	(000000-003706)		Harness, Cab, Wire	1
3	768562	(000000-003706)		Harness, Vario Brush Control, Wire	1
4	768566	(000000-003706)		Harness, Vario Brush, Wire	1
not shown	5	768563	(000000-003706)	Harness, Hopper Lift, Wire	1
6	768565	(000000-003706)		Harness, Hopper, Wire	1
	367407	(000000-003706)		Wire, Jumper (Low Dump)	1

Fig. 30 - Electrical Schematic (003707-)

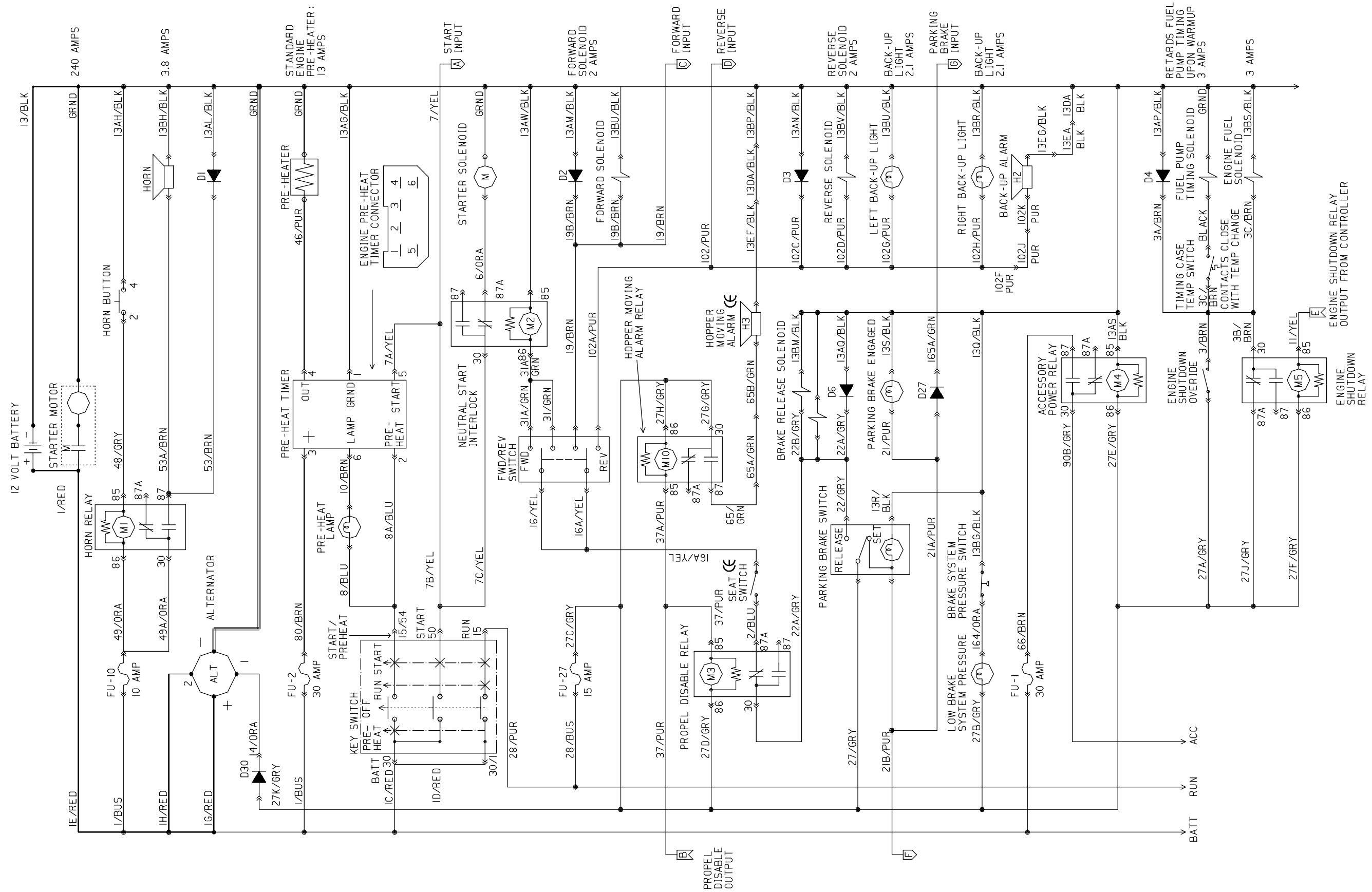


Fig. 30 - Electrical Schematic (003707-)

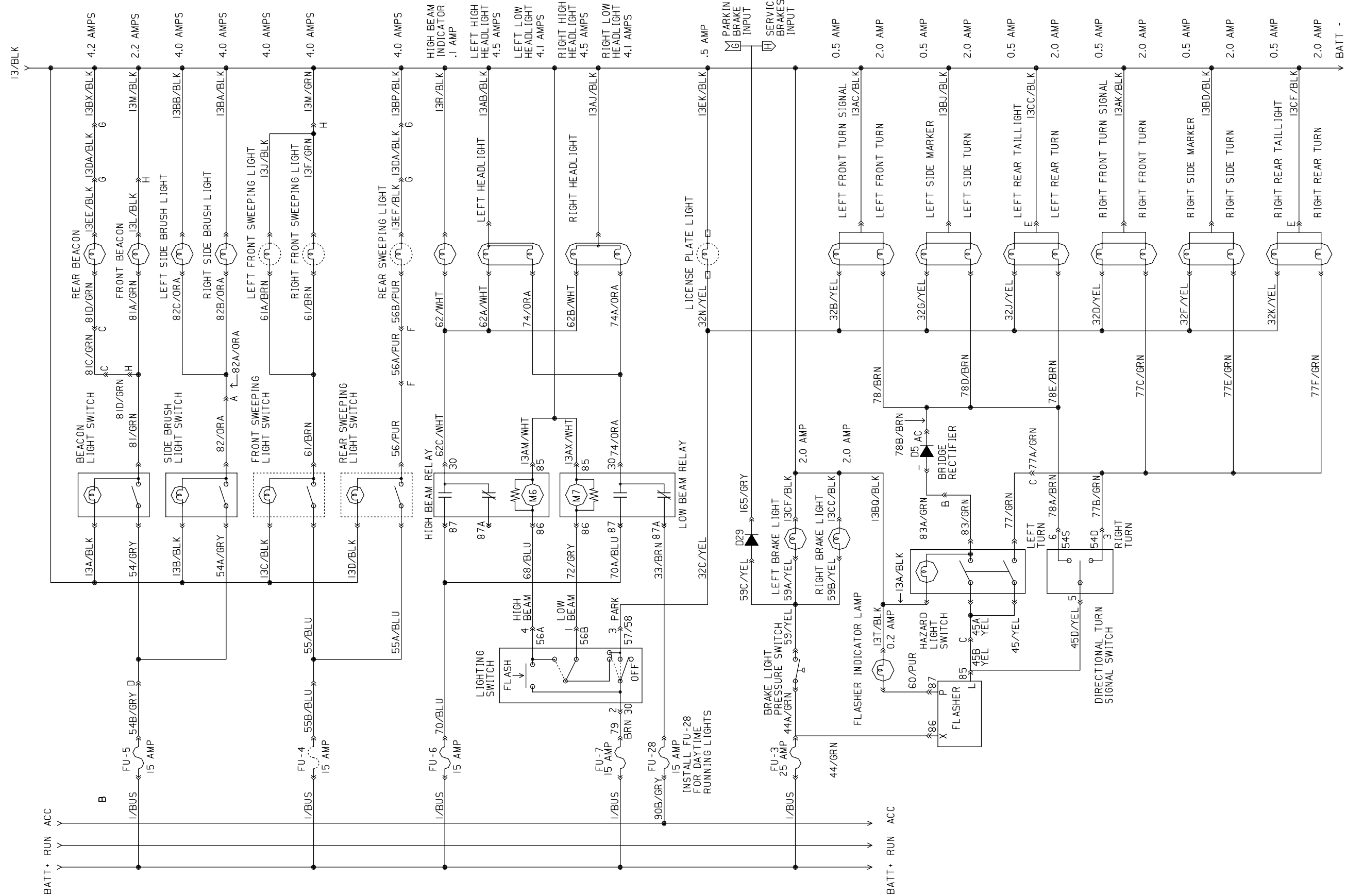
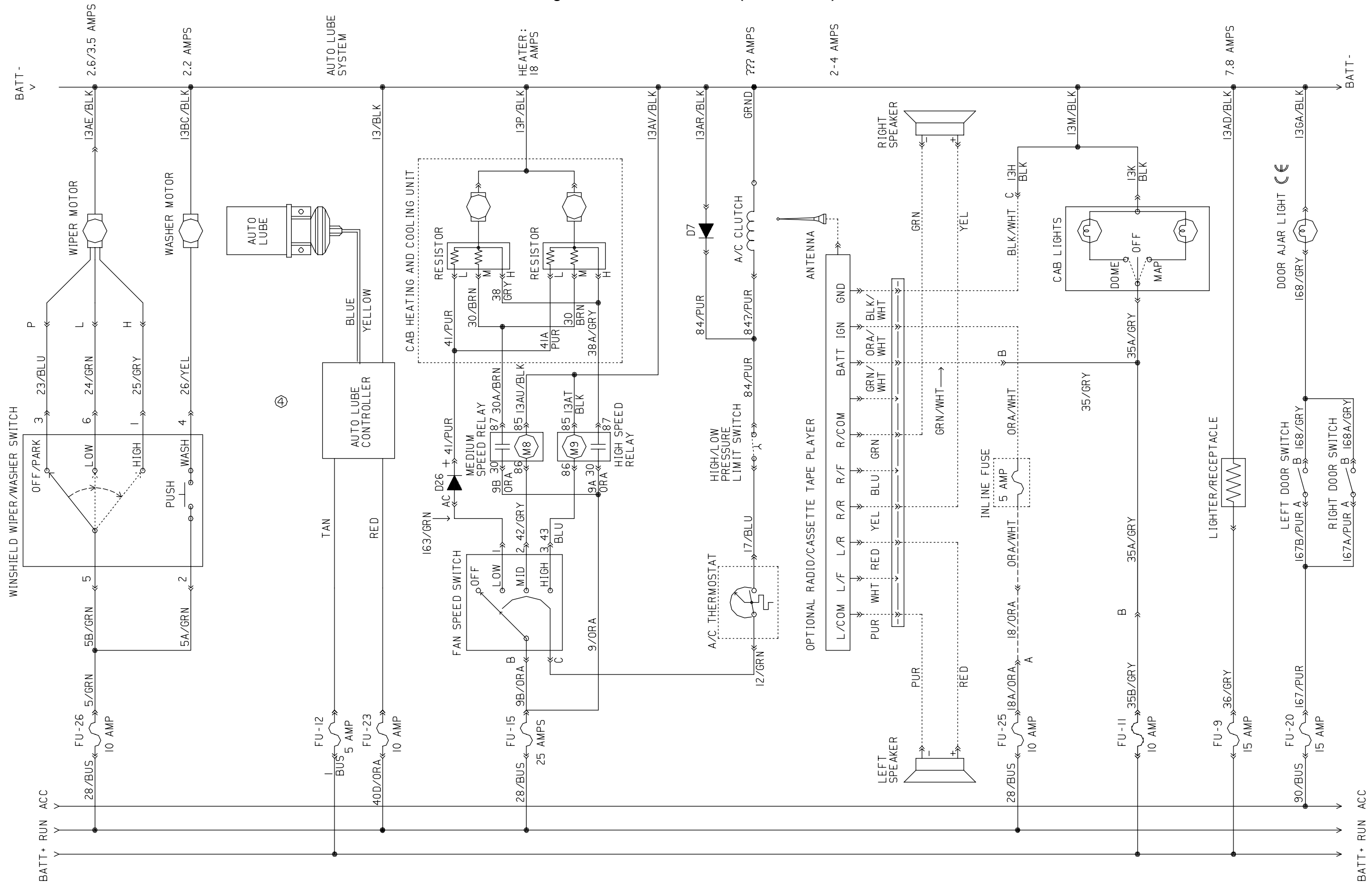
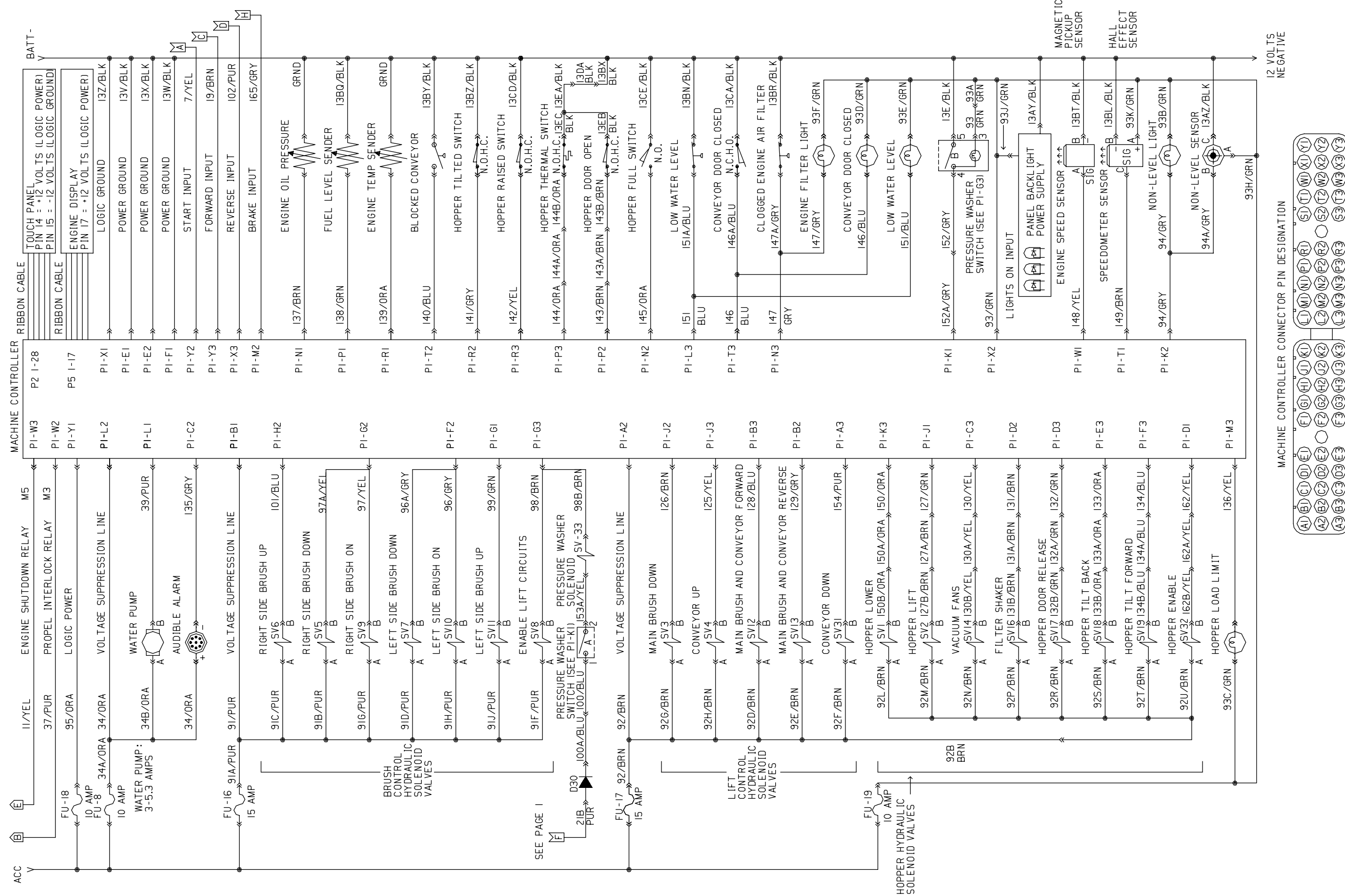


Fig. 30 - Electrical Schematic (003707-)



351973

Fig. 30 - Electrical Schematic (003707-)



12 VOLTS
NEGATIVE

MACHINE CONTROLLER CONNECTOR PIN DESIGNATION

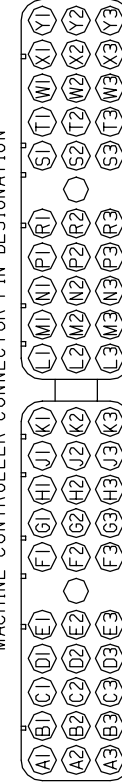


Fig. 30 - Electrical Schematic (003707-)

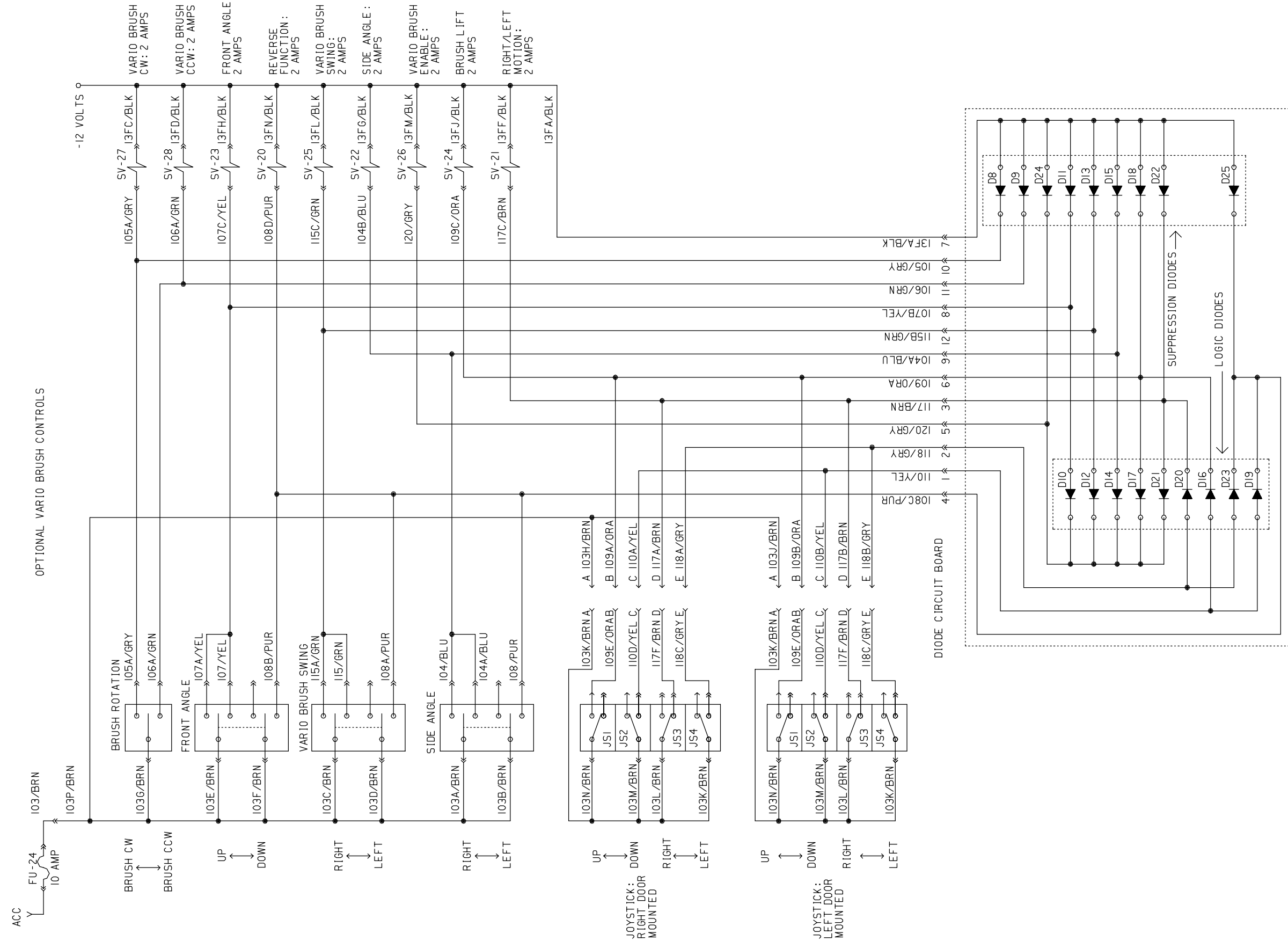


Fig. 30 - Electrical Schematic (003707-)

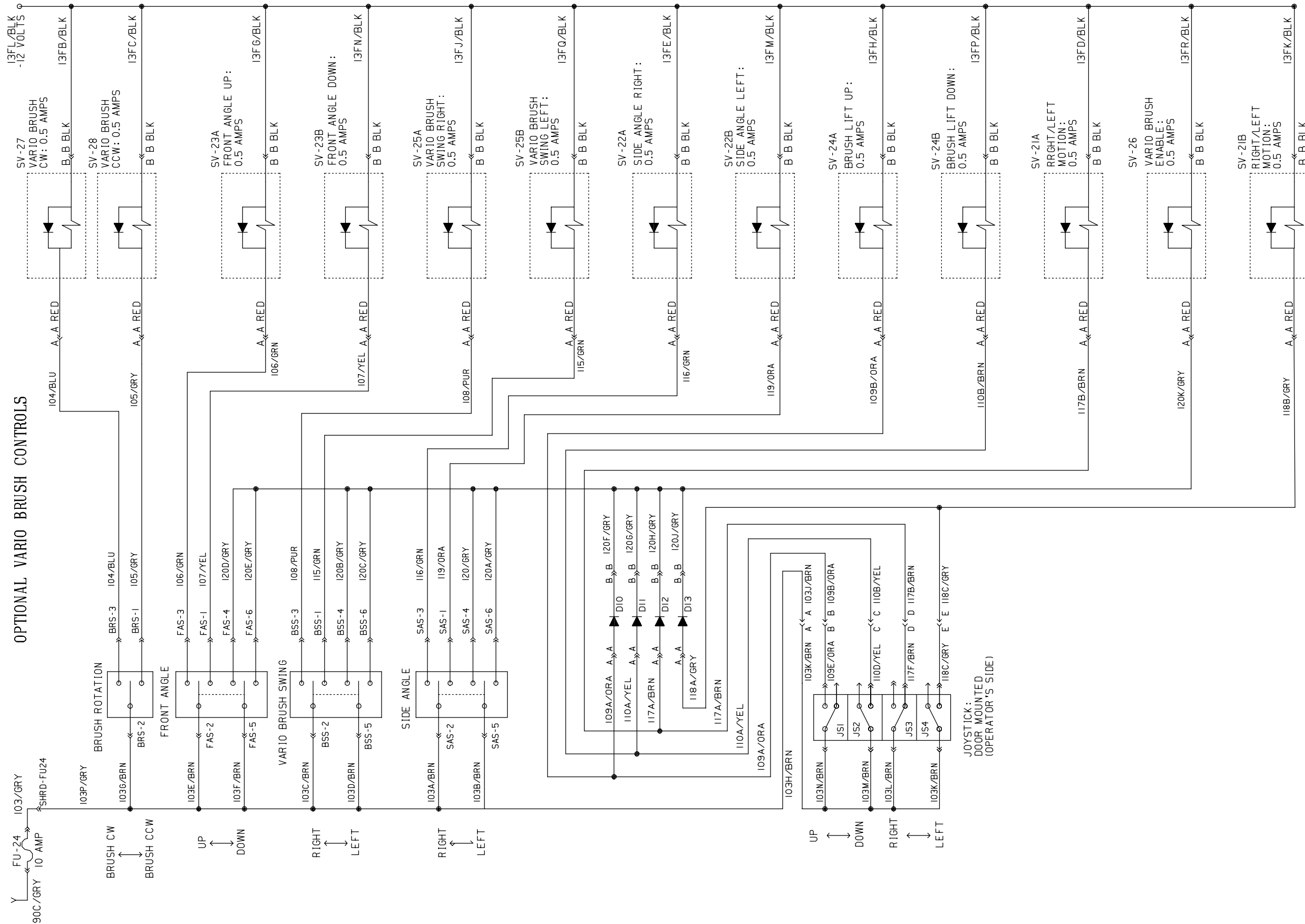


Fig. 31 - Wire Harnesses Group (003707-)

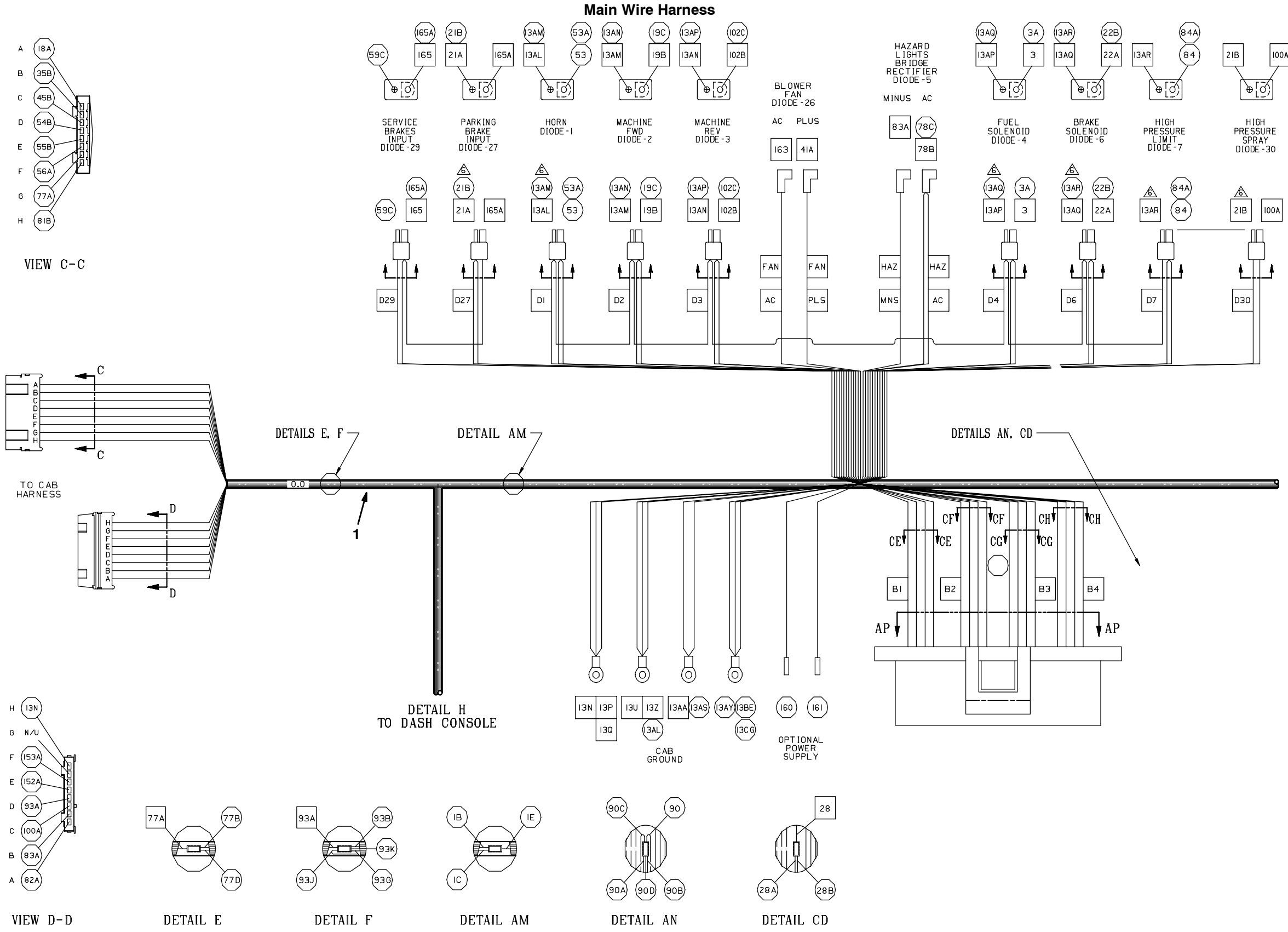
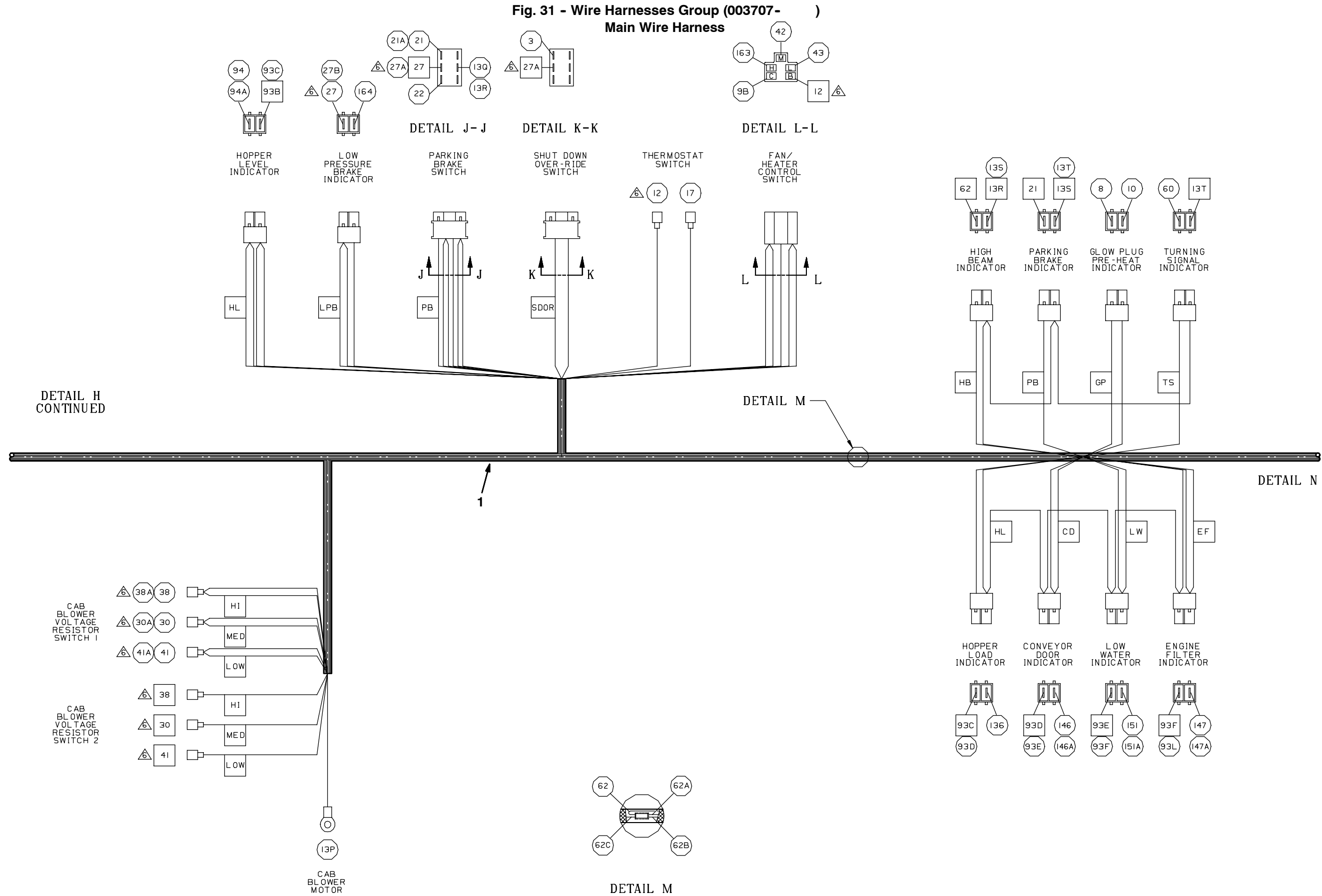


Fig. 31 - Wire Harness Group (003707-)
Main Wire Harness



351975

Fig. 31 - Wire Harness Group (003707-)
Main Wire Harness

CONNECTOR WIRING			
CONN. B	SOC. NO.	CONN. A	SOC. NO.
○ 39	1-L	× N/U	1-A
× N/U	1-M	○ 91	1-B
○ 137	1-N	× N/U	1-C
○ 138	1-P	○ 162	1-D
○ 139	1-R	□ 13V	1-E
○ 34	2-L	○ 92	2-A
○ 165	2-M	○ 129	2-B
○ 145	2-N	○ 135	2-C
○ 143	2-P	○ 131	2-D
○ 141	2-R	□ 13X	2-E
□ 151	3-L	○ 154	3-A
□ 136	3-M	○ 128	3-B
□ 147	3-N	○ 130	3-C
○ 144	3-P	○ 132	3-D
○ 142	3-R	○ 133	3-E
× N/U	1-S	□ 13W	1-F
○ 149	1-T	○ 99	1-G
○ 148	1-W	× N/U	1-H
○ 132	1-X	○ 127	1-J
○ 95	1-Y	□ 152A	1-K
× N/U	2-S	○ 96	2-F
○ 140	2-T	○ 97	2-G
○ 37	2-W	○ 101	2-H
□ 93L	2-X	○ 126	2-J
□ 7	2-Y	□ 94	2-K
× N/U	3-S	○ 134	3-F
□ 146	3-T	○ 98	3-G
○ 11	3-W	× N/U	3-H
□ 102	3-X	○ 125	3-J
□ 19	3-Y	○ 150	3-K

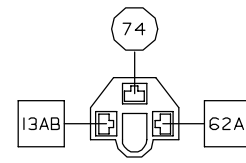
PLUGS-SEE ITEM #10 & #11

WIRE GROUPING TO BE DETERMINED BY EITHER A LEFT HALF OR RIGHT HALF LOADING INTO CONNECTORS A OR B

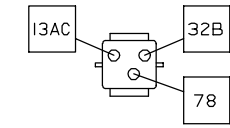
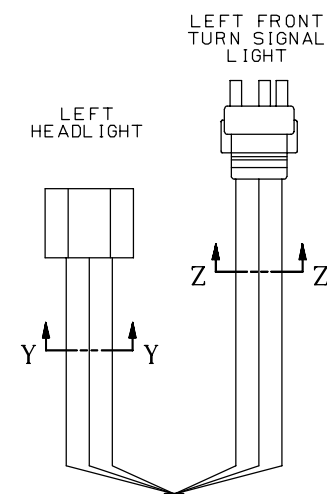
DETAIL V-V
ELECTRONIC CONTROL CIRCUIT BOARD

93J 13Y
PANEL BACKLIGHT POWER SUPPLY
DETAIL T-T

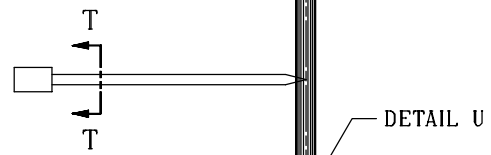
ELECTRONIC CONTROL CIRCUIT BOARD



DETAIL Y-Y

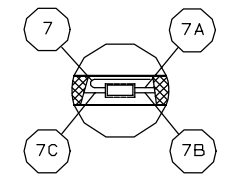
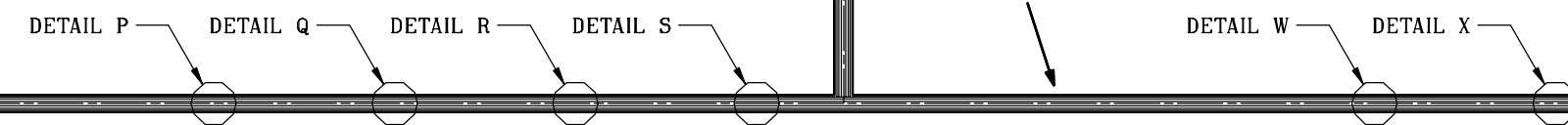


DETAIL Z-Z

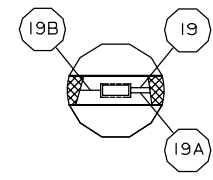


DETAIL U

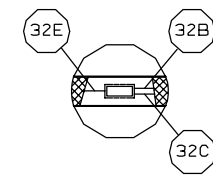
DETAIL N CONTINUED



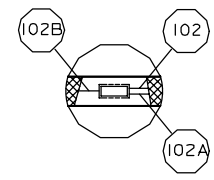
DETAIL P



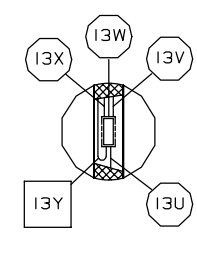
DETAIL Q



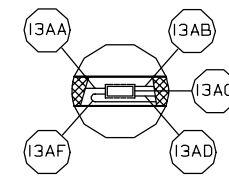
DETAIL R



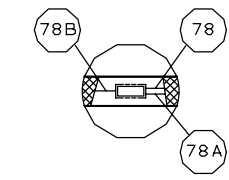
DETAIL S



DETAIL U

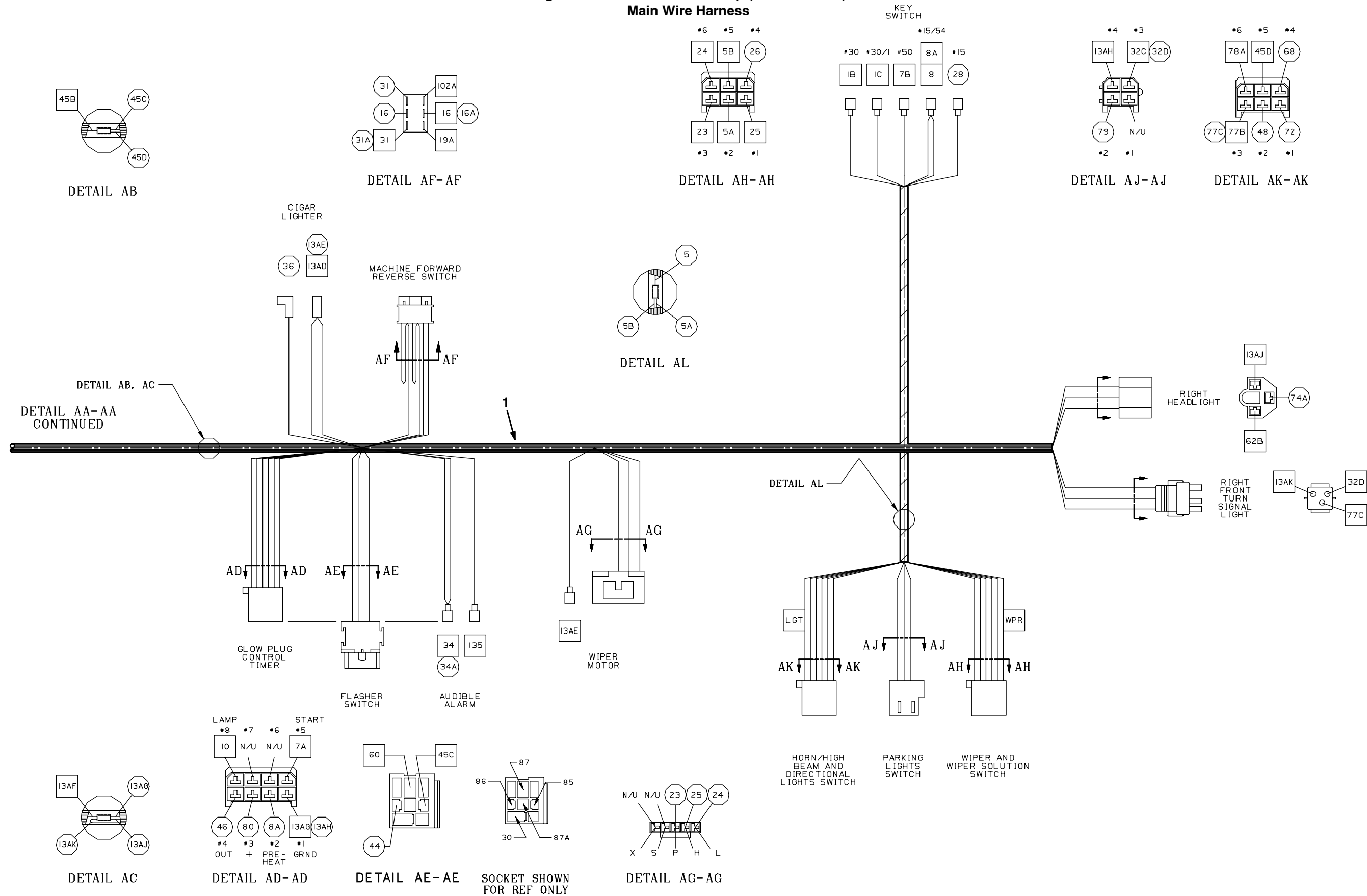


DETAIL W



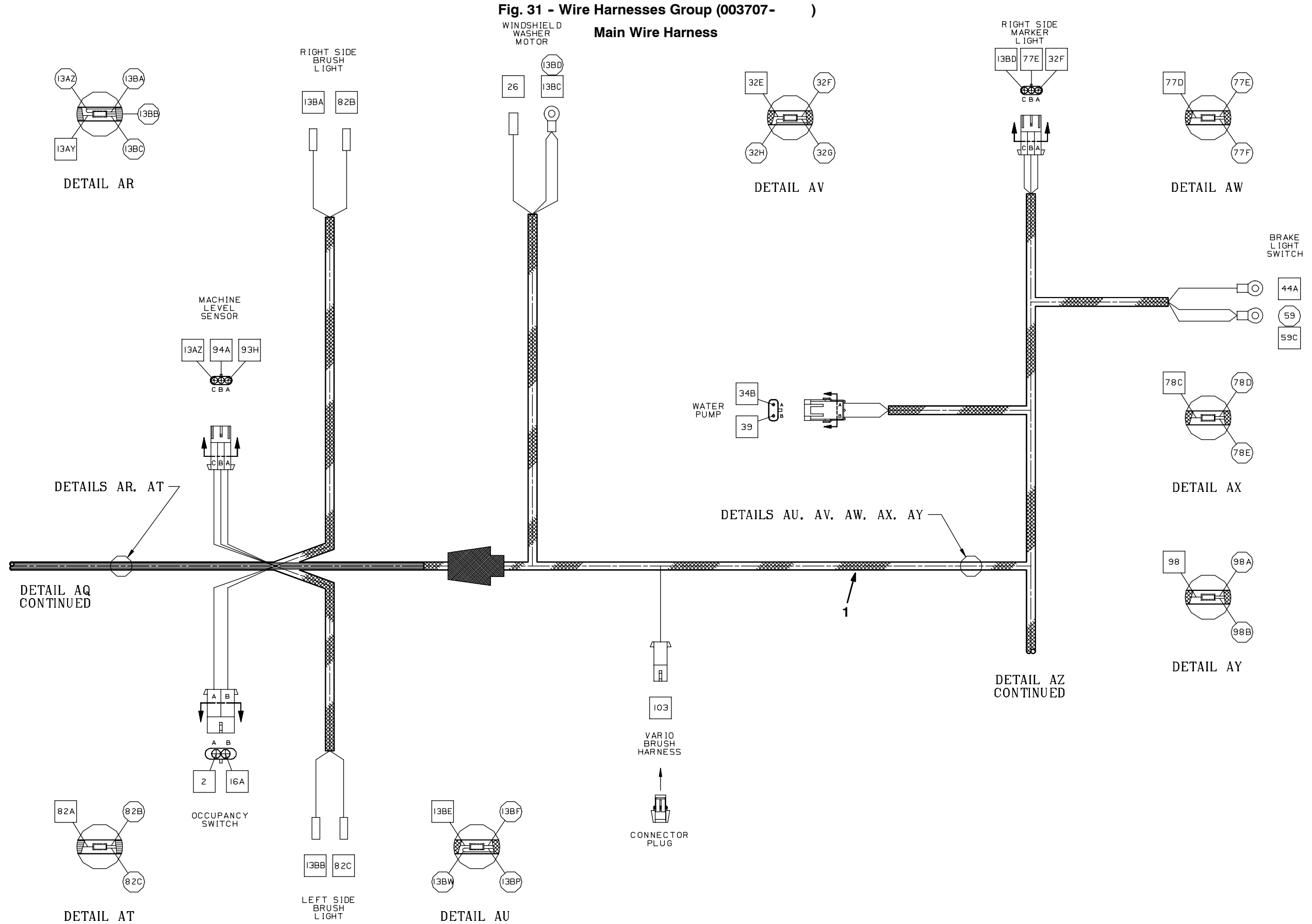
DETAIL X

Fig. 31 - Wire Harnesses Group (003707-)
Main Wire Harness



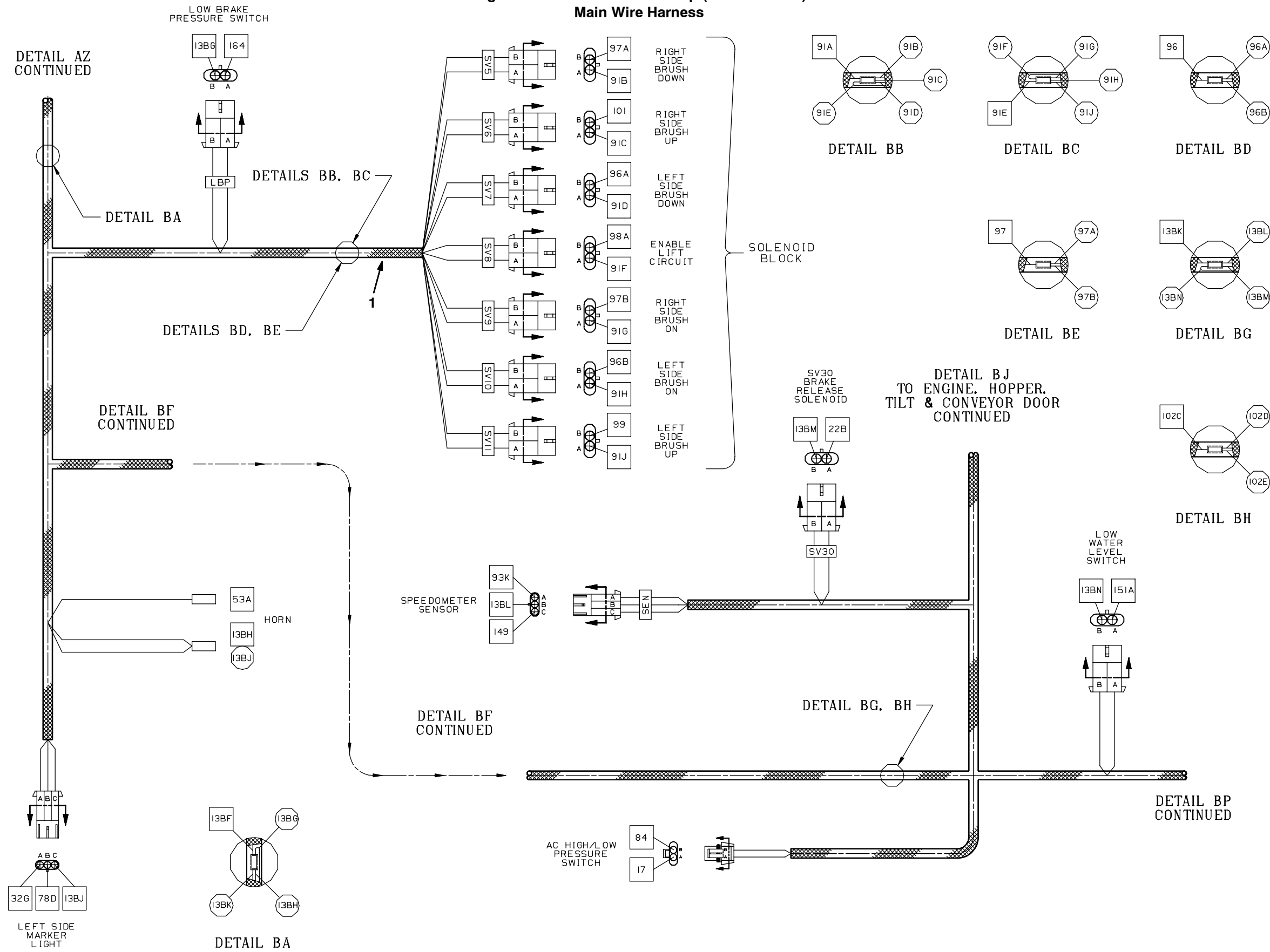
351975

Fig. 31 - Wire Harnesses Group (003707-)



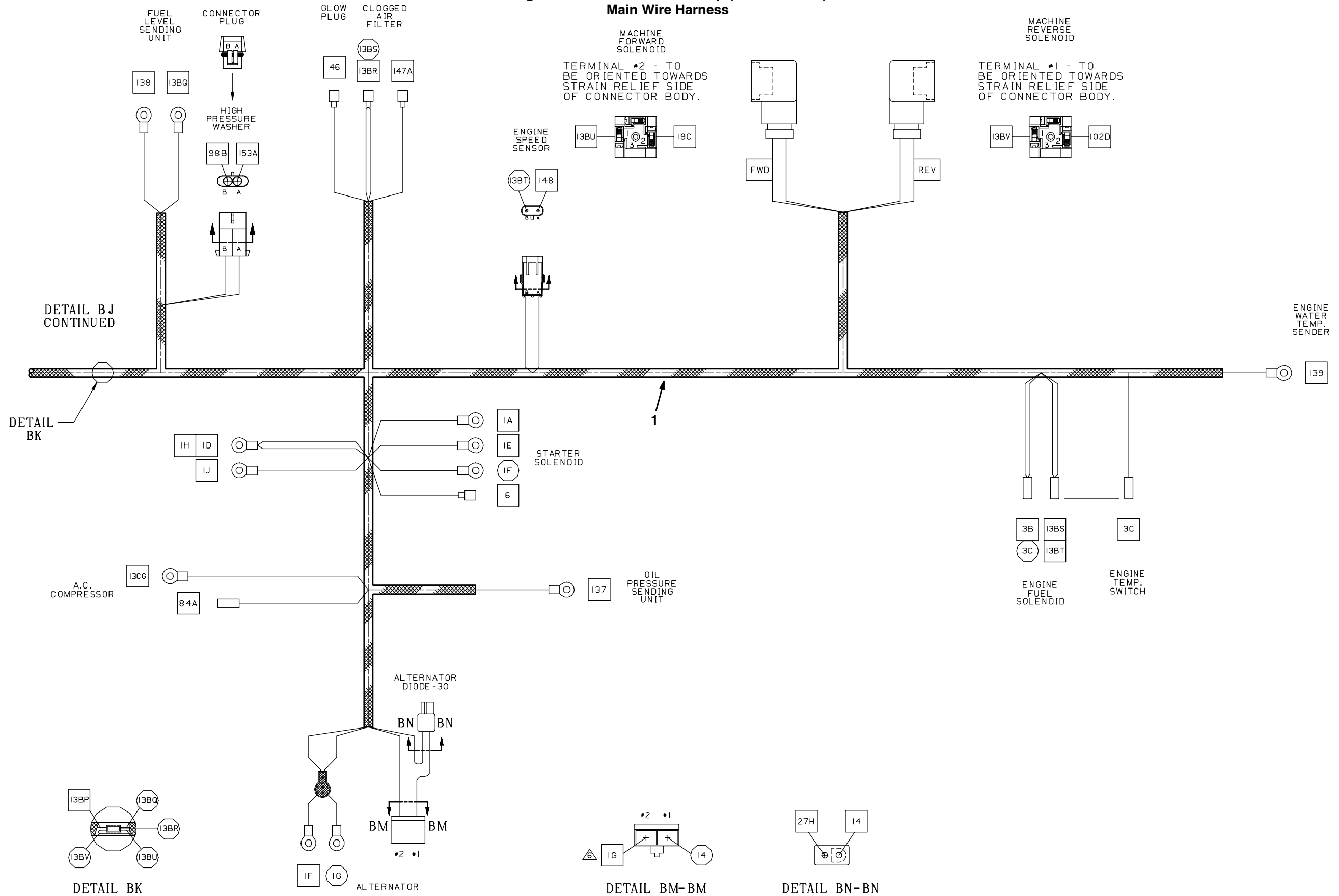
351975

Fig. 31 - Wire Harness Group (003707-)
Main Wire Harness



351975

Fig. 31 - Wire Harnesses Group (003707-)
Main Wire Harness



351975

Fig. 31 - Wire Harnesses Group (003707-)

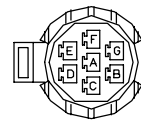
Main Wire Harness

DETAIL BX
CONTINUED

NOTE: CONNECTORS - VIEWED FROM THE BACK, ARE ALPHABETICALLY MARKED AS SHOWN.

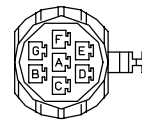
- A 56A
- B 65
- C 81B
- D 92B
- E 102F
- F 127
- G 130

VIEW BS-BS



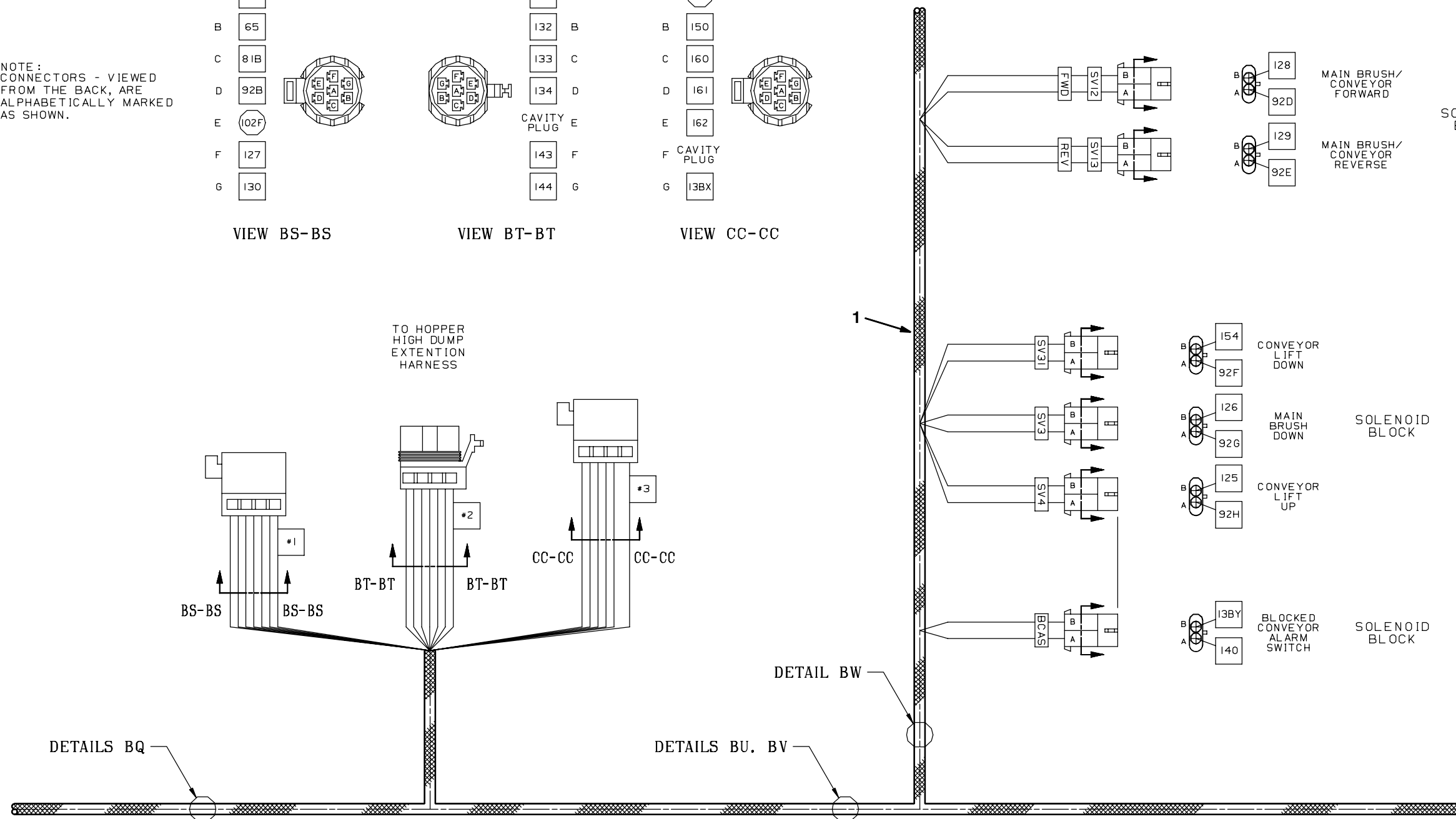
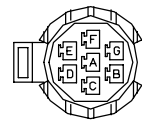
- A 131
- B 132
- C 133
- D 134
- E CAVITY PLUG
- F 143
- G 144

VIEW BT-BT



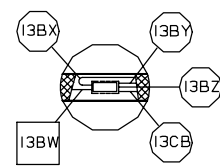
- A 32L
- B 150
- C 160
- D 161
- E 162
- F CAVITY PLUG
- G 13BX

VIEW CC-CC

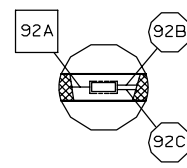


DETAIL BP
CONTINUED

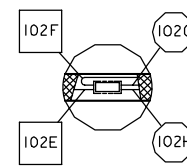
DETAIL BY
CONTINUED



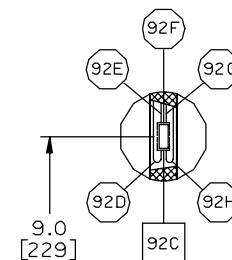
DETAIL BQ



DETAIL BU



DETAIL BV



DETAIL BW

Fig. 31 - Wire Harnesses Group (003707-)

Main Wire Harness

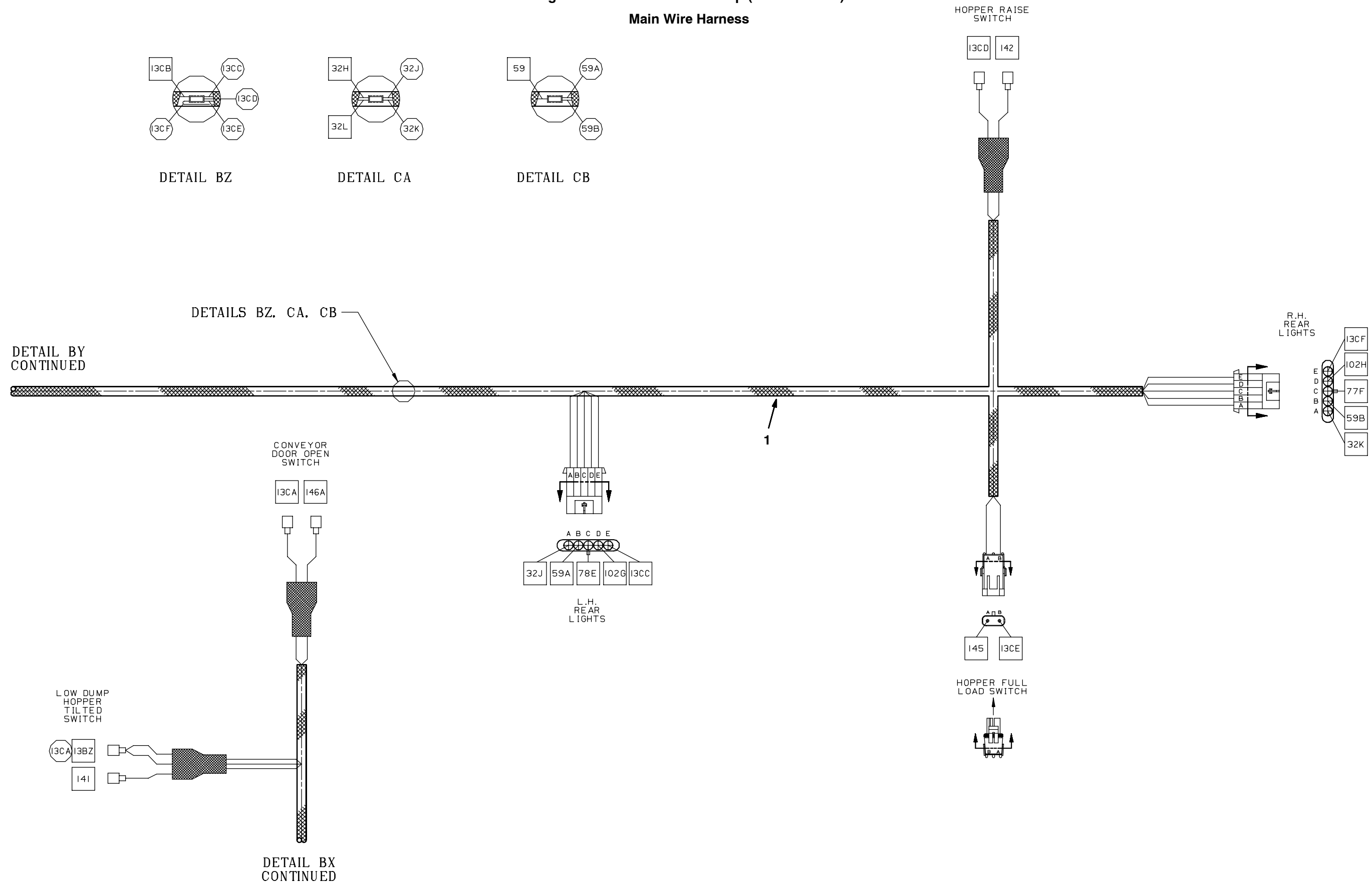
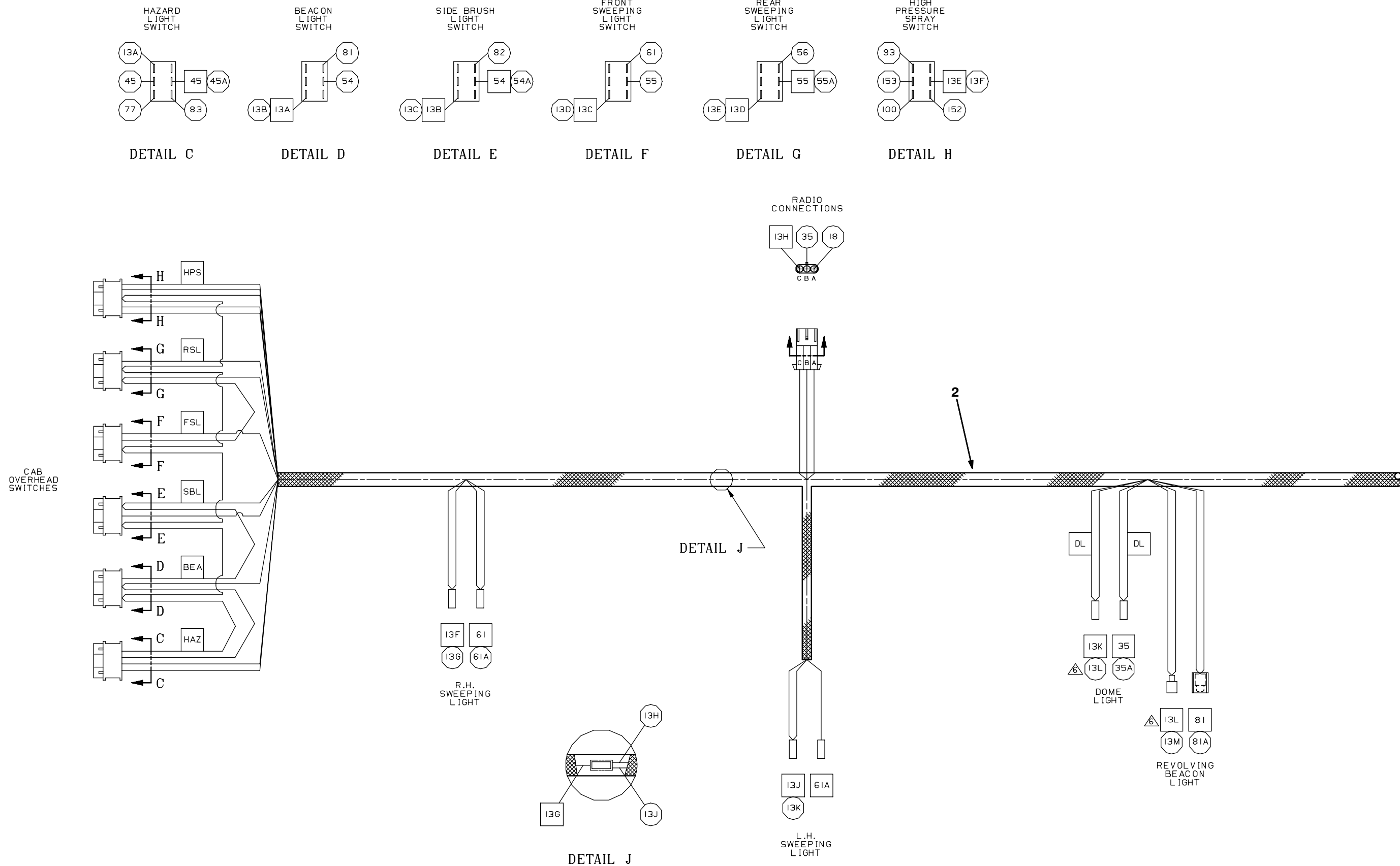


Fig. 31 - Wire Harnesses Group (003707-)
Cab Wire Harness



351976

Fig. 31 - Wire Harnesses Group (003707-)
Cab Wire Harness

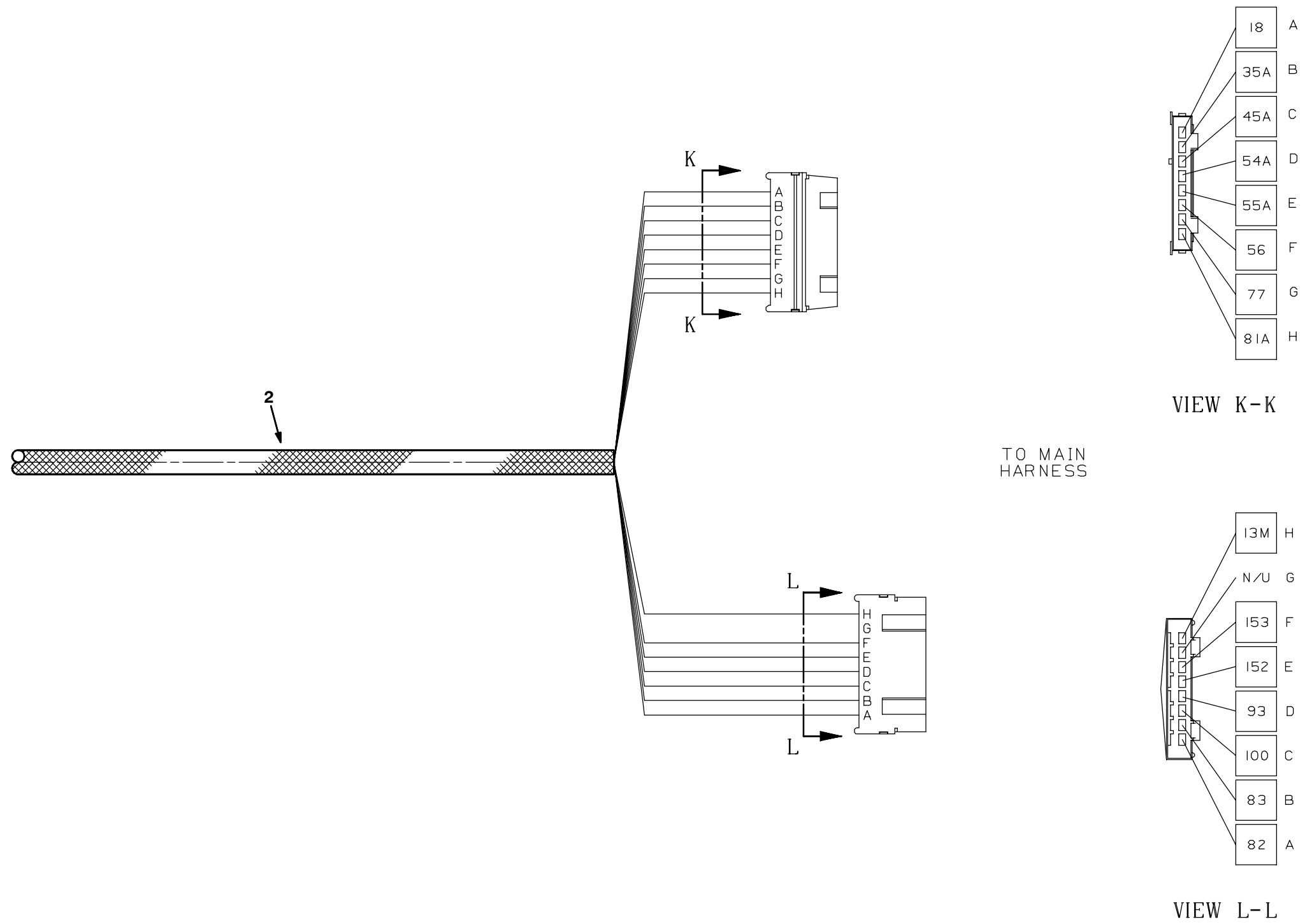


Fig. 31 - Wire Harnesses Group (003707-)
Vario Brush Control Wire Harness (Optional)

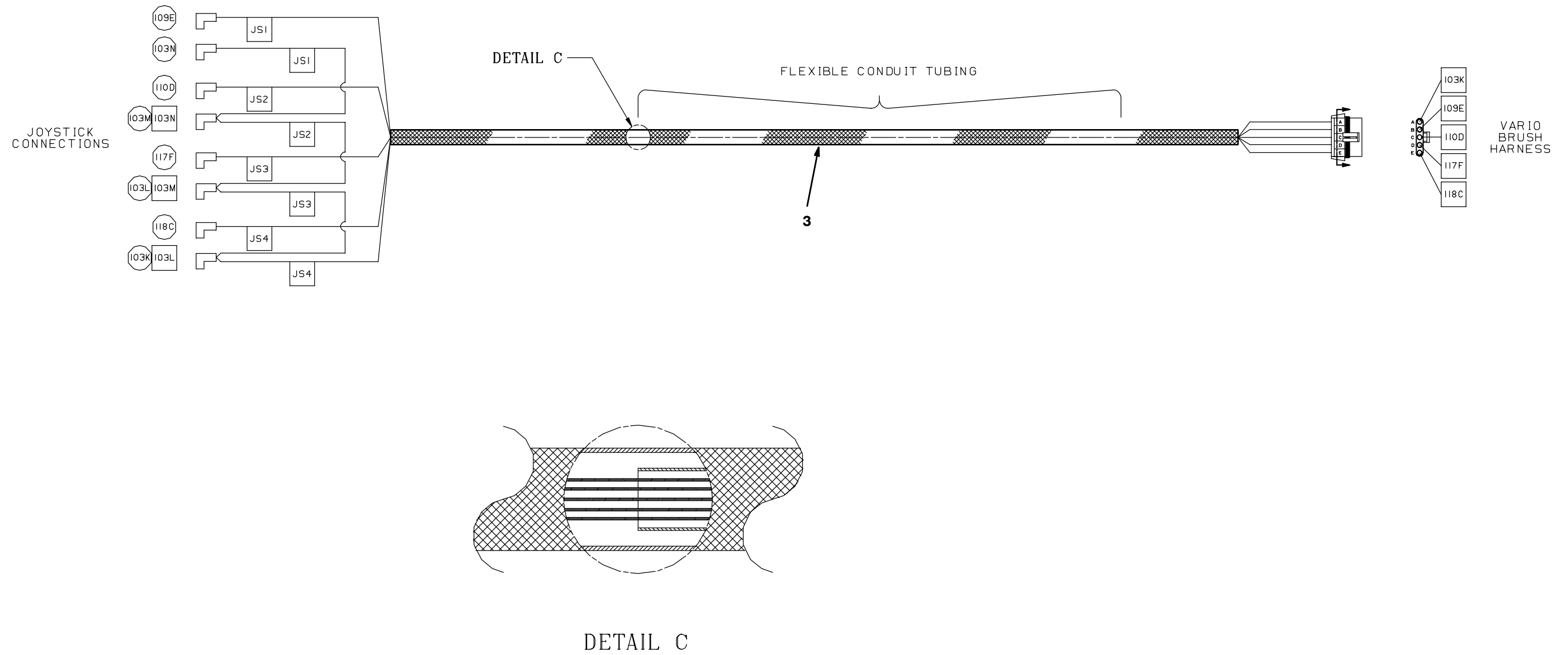


Fig. 31 - Wire Harnesses Group (003707-)
Vario Brush Wire Harness (Optional)

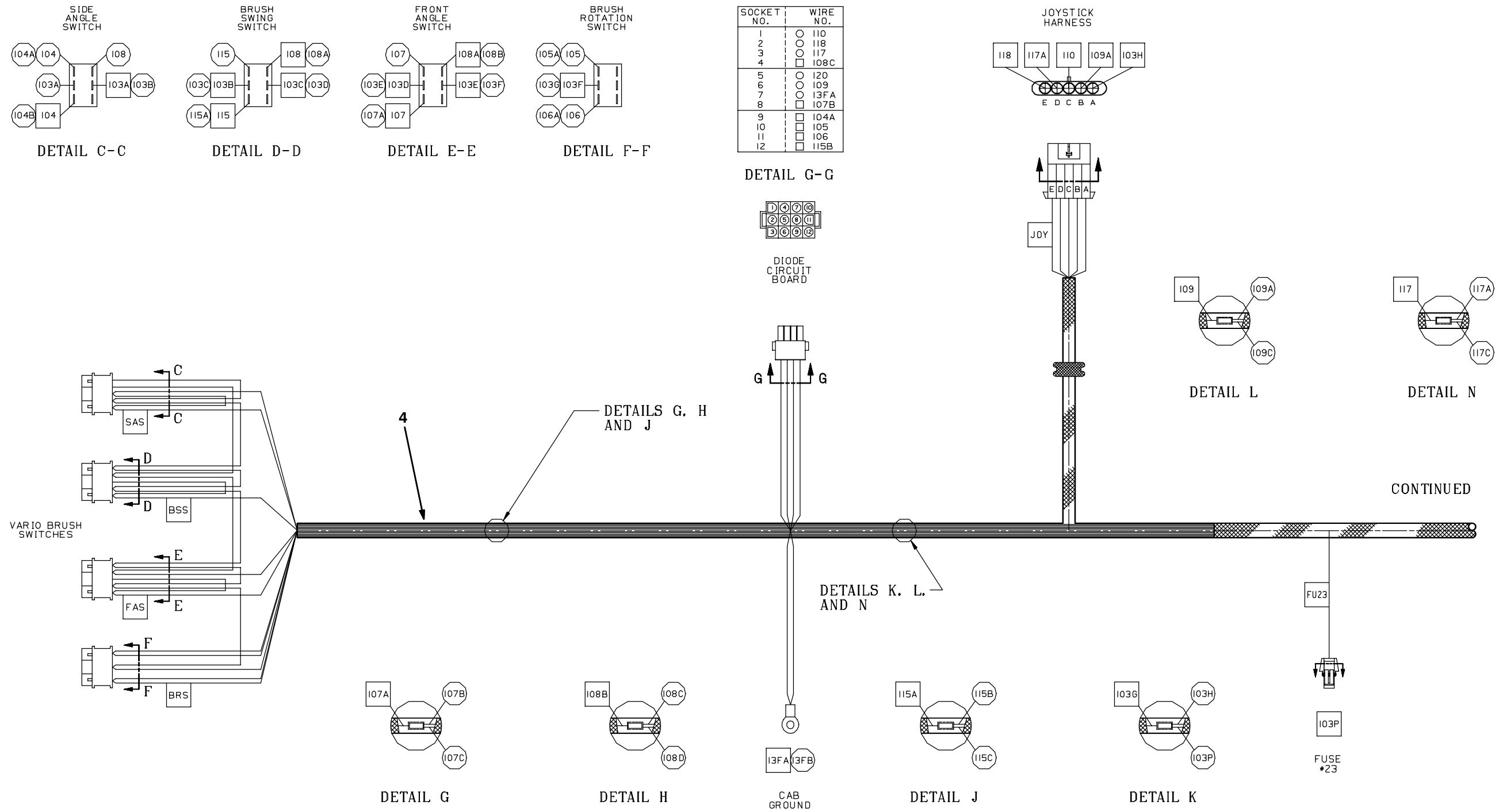


Fig. 31 - Wire Harness Group (003707-)
 Vario Brush Wire Harness (Optional)

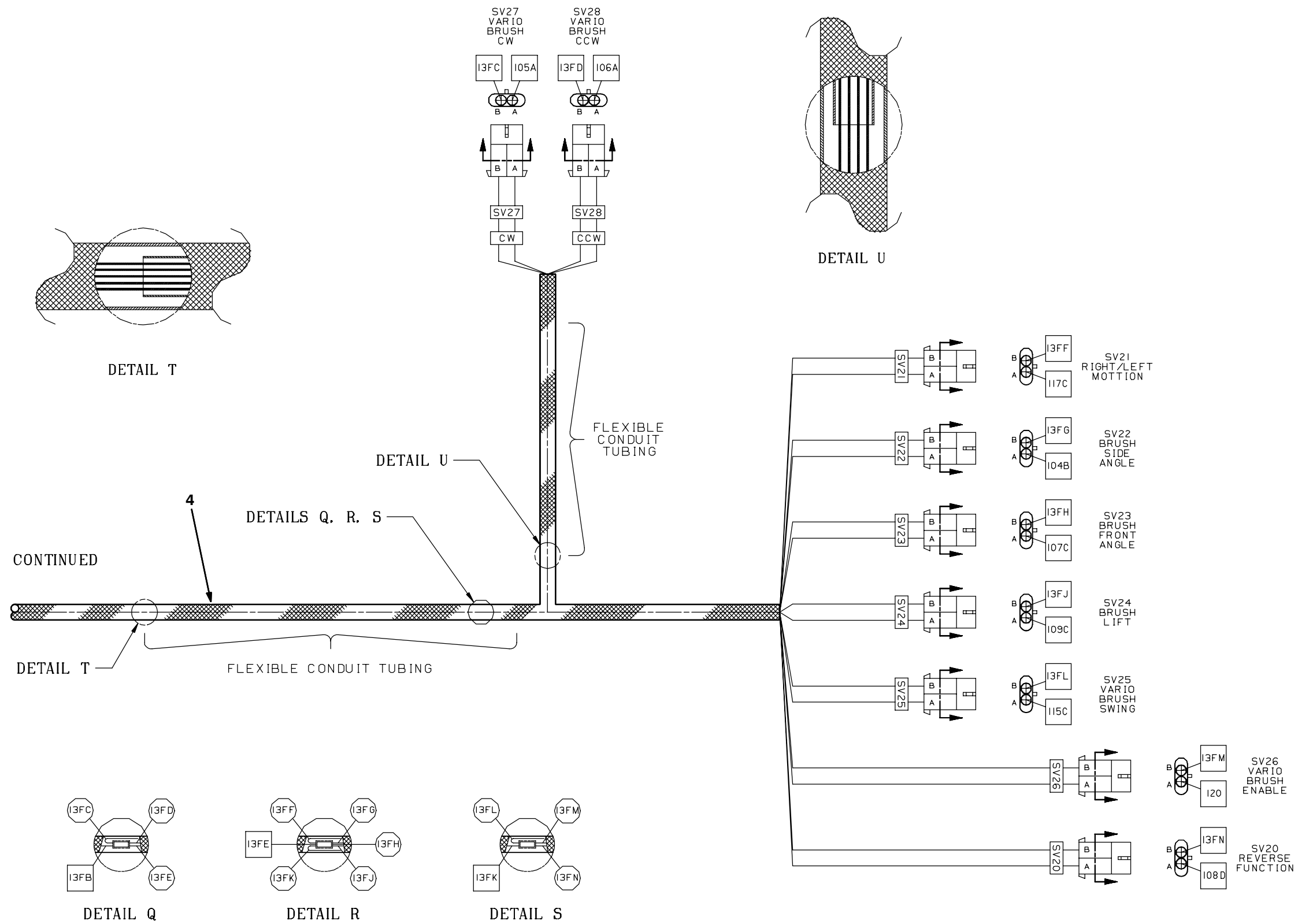
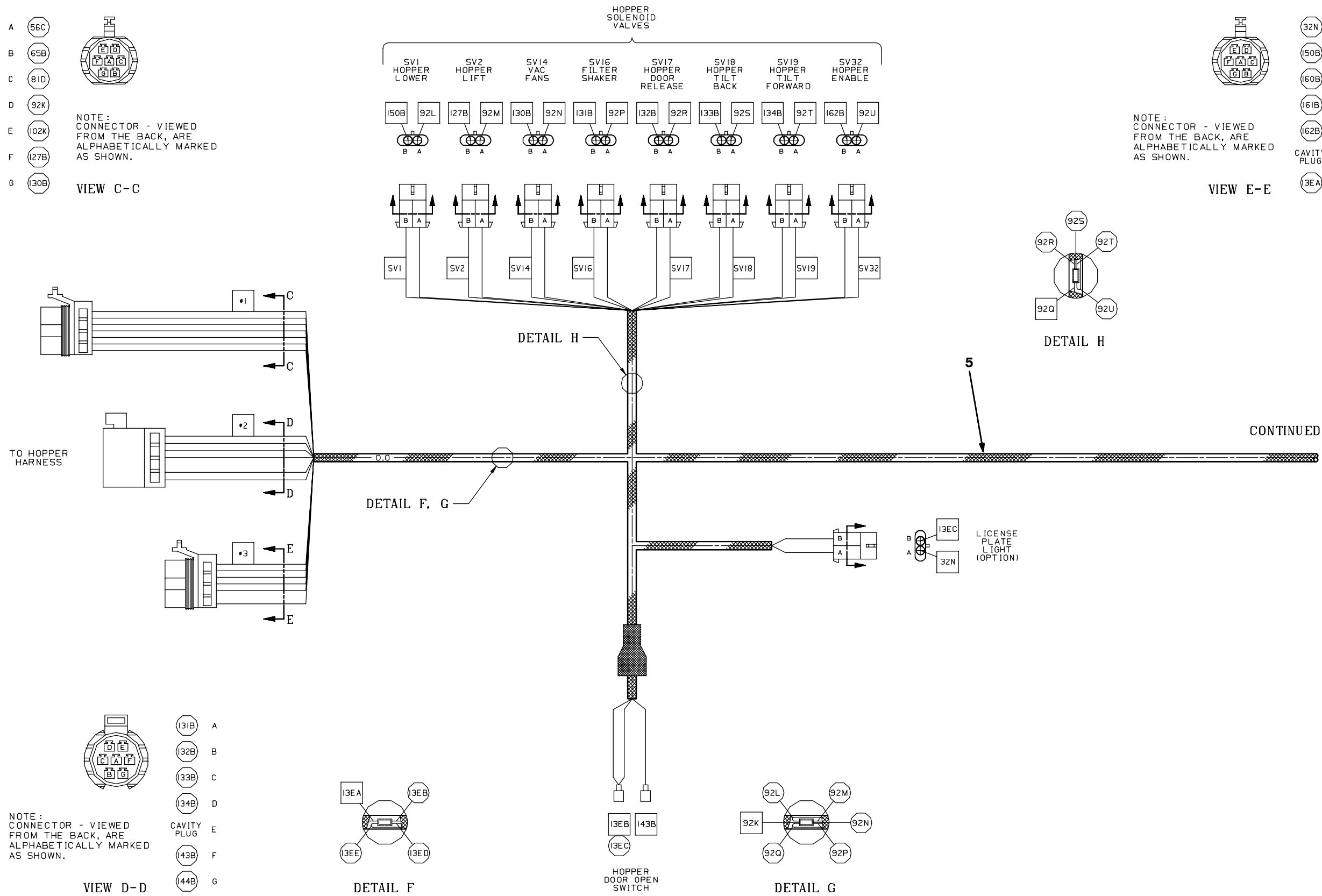


Fig. 31 - Wire Harnesses Group (003707-)
Hopper Lift Wire Harness (Optional)

- A (56C)
 - B (65B)
 - C (81D)
 - D (92K)
 - E (102K)
 - F (127B)
 - G (130B)
- NOTE :
CONNECTOR - VIEWED FROM THE BACK, ARE ALPHABETICALLY MARKED AS SHOWN.
- VIEW C-C

- A (32N)
 - B (150B)
 - C (160B)
 - D (161B)
 - E (162B)
 - F CAVITY PLUG
 - G (3EA)
- NOTE :
CONNECTOR - VIEWED FROM THE BACK, ARE ALPHABETICALLY MARKED AS SHOWN.
- VIEW E-E



- A (131B)
 - B (132B)
 - C (133B)
 - D (134B)
 - E CAVITY PLUG
 - F (143B)
 - G (144B)
- NOTE :
CONNECTOR - VIEWED FROM THE BACK, ARE ALPHABETICALLY MARKED AS SHOWN.
- VIEW D-D

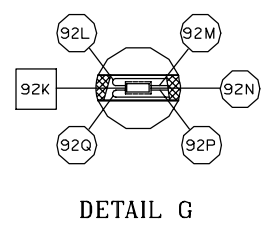
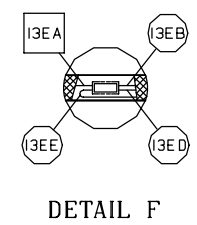


Fig. 31 - Wire Harnesses Group (003707-)

Hopper Wire Harness

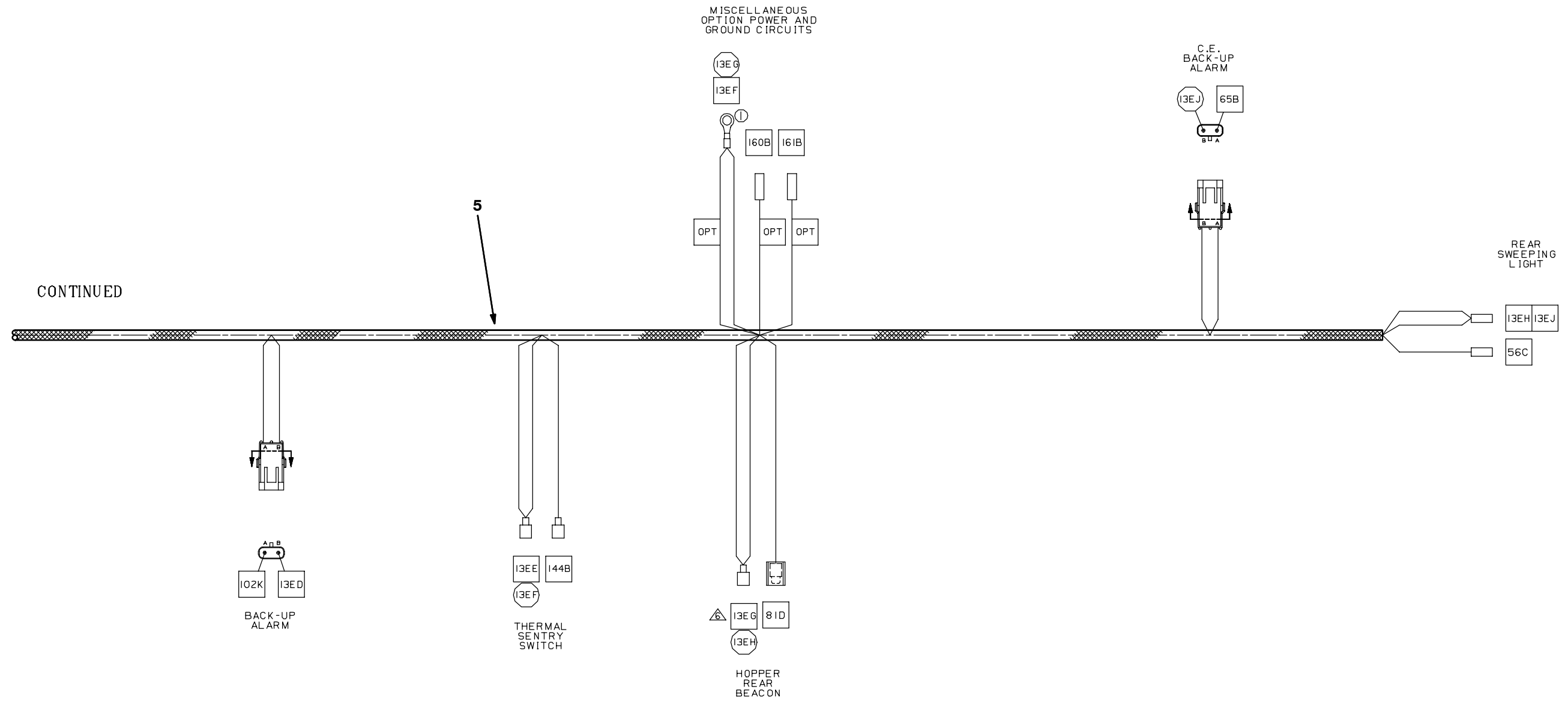


Fig. 31 - Wire Harnesses Group (003707-)
 Parking Brake Jumper Wire Harness

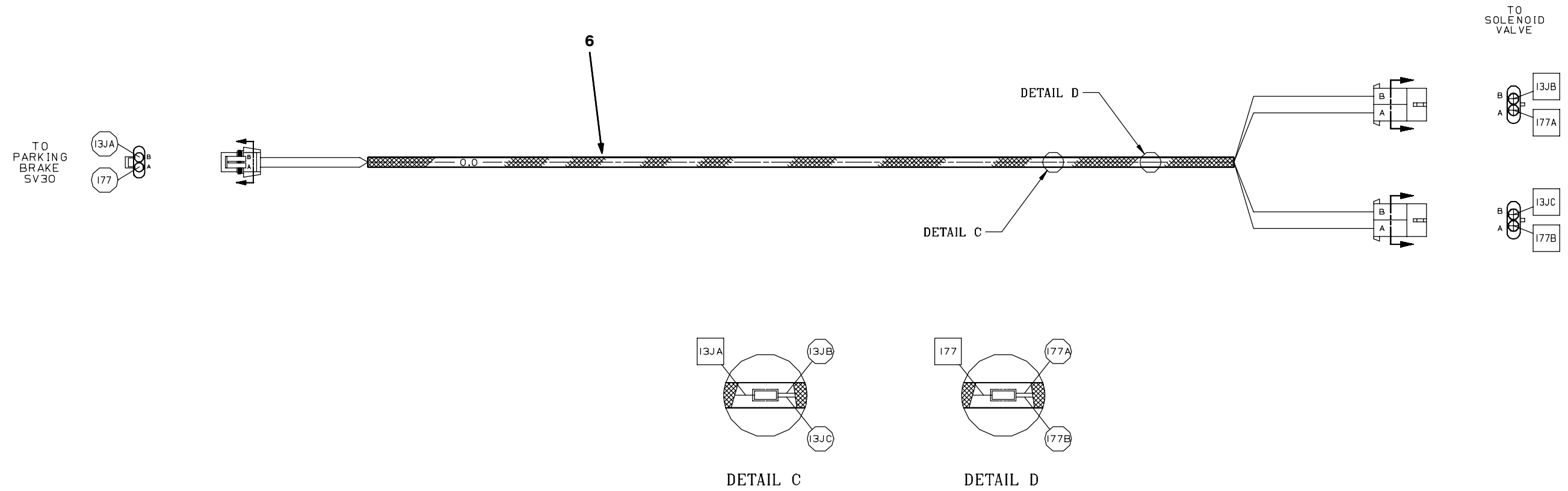


Fig. 31 - Wire Harnesses Group (003707-)

Ref.	TENNANT Part No.	Machine Number	Serial	Description	Qty.
1	768560	(003707-)	Harness, Main, Wire	1
2	768561	(003707-)	Harness, Cab, Wire	1
3	768562	(003707-)	Harness, Vario Brush Control, Wire	1
4	768566	(003707-)	Harness, Vario Brush, Wire	1
5	768575	(003707-)	Harness, Hopper W/HD	1
6	768888	(003707-)	Harness, Jumper, Parking Brake	1

Fig. 32 - Front Cab Group

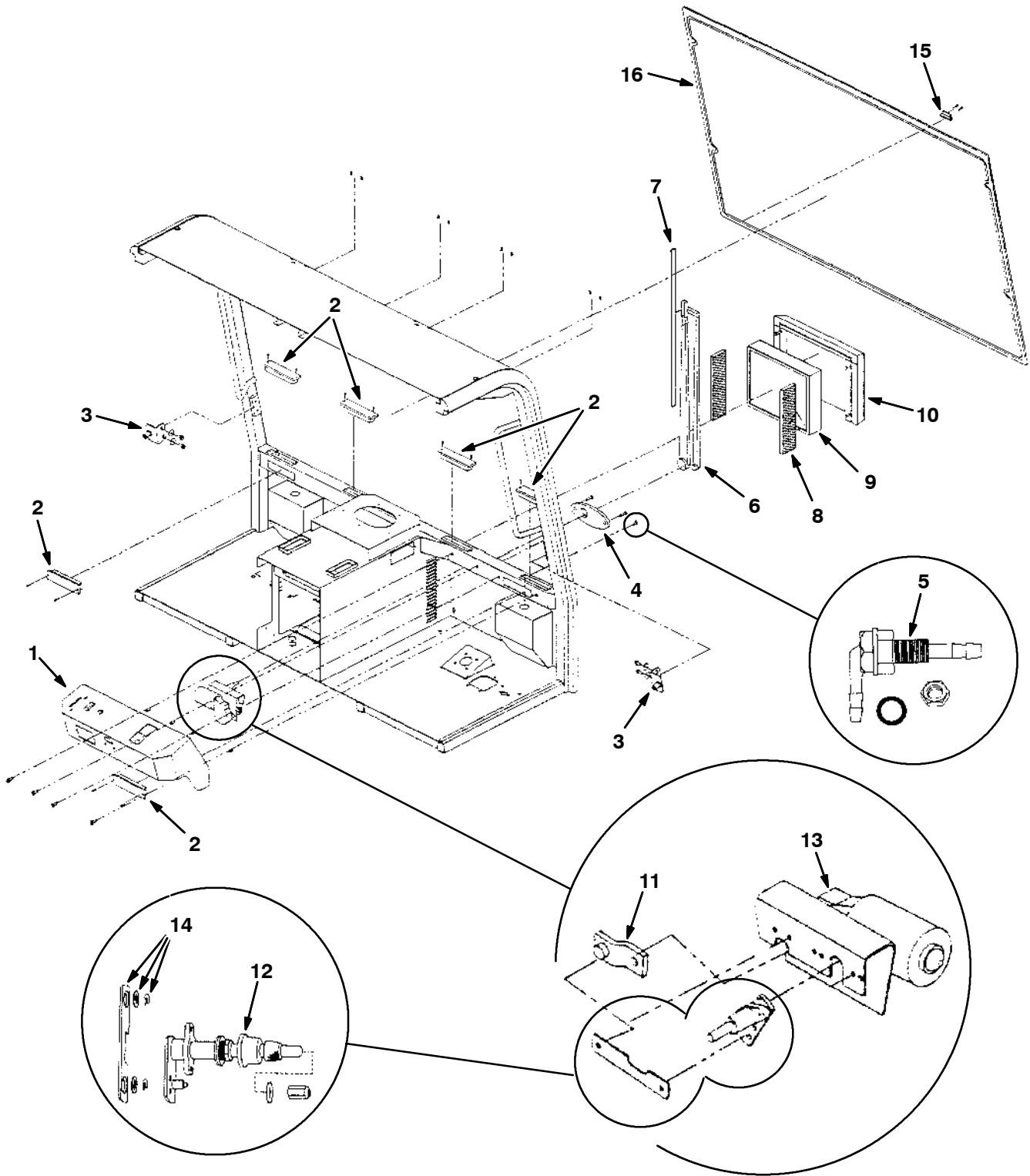


Fig. 32 - Front Cab Group

Ref.	TENNANT Part No.	Machine Number	Serial	Description	Qty.
1	768444	(000000-)	Wldt, Steer Console	1
2	769617	(000000-)	Louver, Spindle Nozz	6
3	769637	(000000-)	Weldt, Mount, Strike	2
4	769610	(000000-)	Pantograph Adapter Kit	1
5	761872	(000000-)	Bulkhead Fitting	1
6	769615	(000000-)	Arm, Wiper, Paneo	1
7	769609	(000000-)	Blade, Wiper, 28" Bl	1
8	769631	(000000-)	Foam, Filter, Recirc	2
9	769657	(000000-)	Air Filter, Pleated	1
10	769659	(000000-)	Assy, Filter Cover	1
11	769601	(000000-)	Drive Arm	1
12	769616	(000000-)	Pivot Shaft, Wiper	1
13	761867	(000000-)	Motor, Ele, Wiper	1
14	769071	(000000-)	Kit, Link, Connecting	1
15	769620	(000000-)	Window Clip, Glued-I	3
16	769630	(000000-)	Window, Front	1

Fig. 33 - Left Cab Group

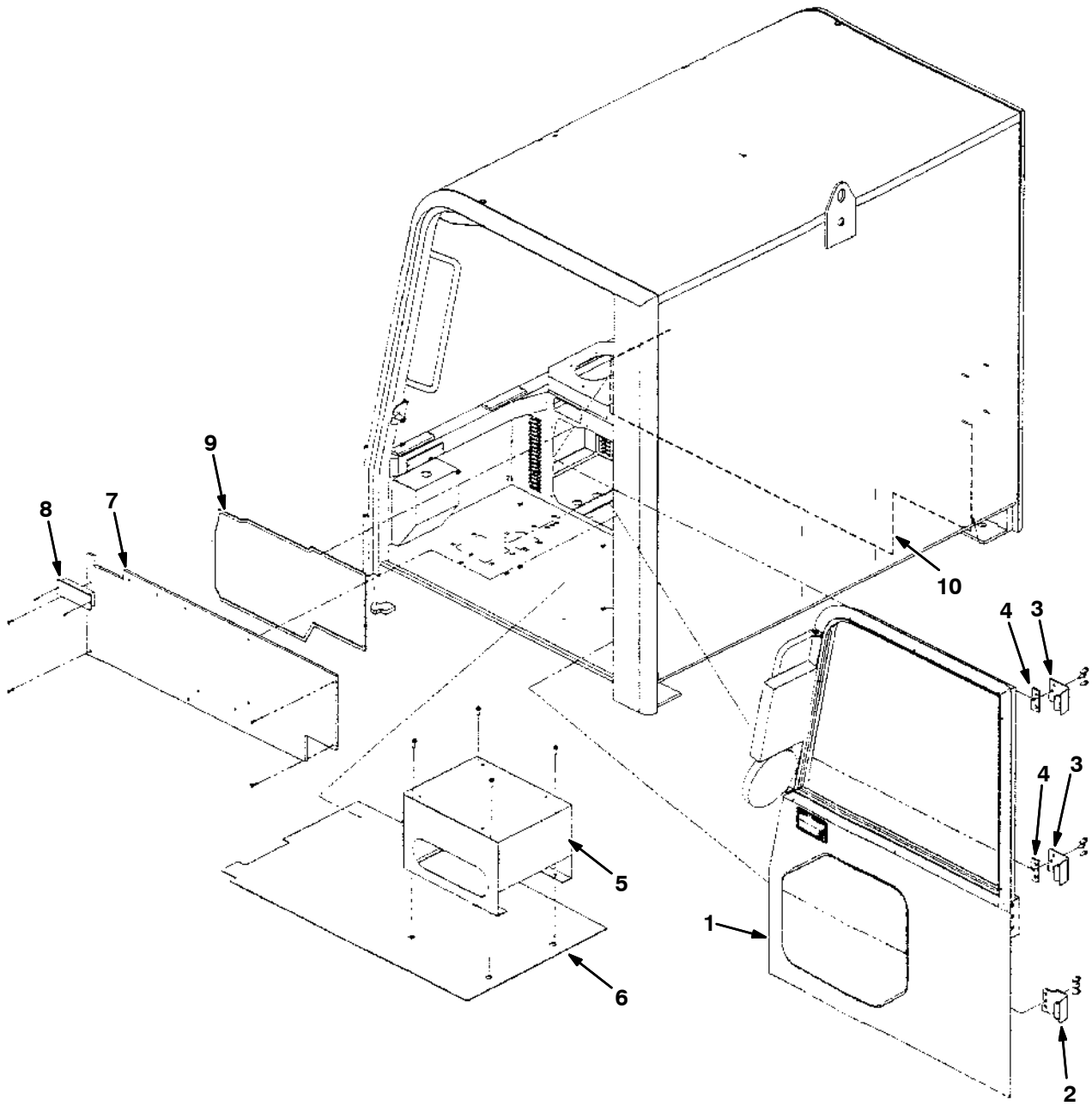


Fig. 33 - Left Cab Group

Ref.	TENNANT Part No.	Machine Number	Serial	Description	Qty.
1	769627	(000000-)	Assy, Door, Lh	1
2	769632	(000000-)	Weldt, Lower Hinge	1
3	769635	(000000-)	Weldt, Upper Hinge	2
4	769638	(000000-)	Spacer, Door, Upper	2
5	768448	(000000-)	Wldt, Seat Pedestal	1
6	769654	(000000-)	Floor Mat, Lh Side	1
7	769658	(000000-)	Assy, Console Cover,	1
8	769618	(000000-)	Louver, 49Mmx121Mm B	1
9	769619	(000000-)	Bulb Seal, "D"	1
10	769602	(000000-)	Hose,Washer .156X.34	1

Fig. 34 - Right Cab Group

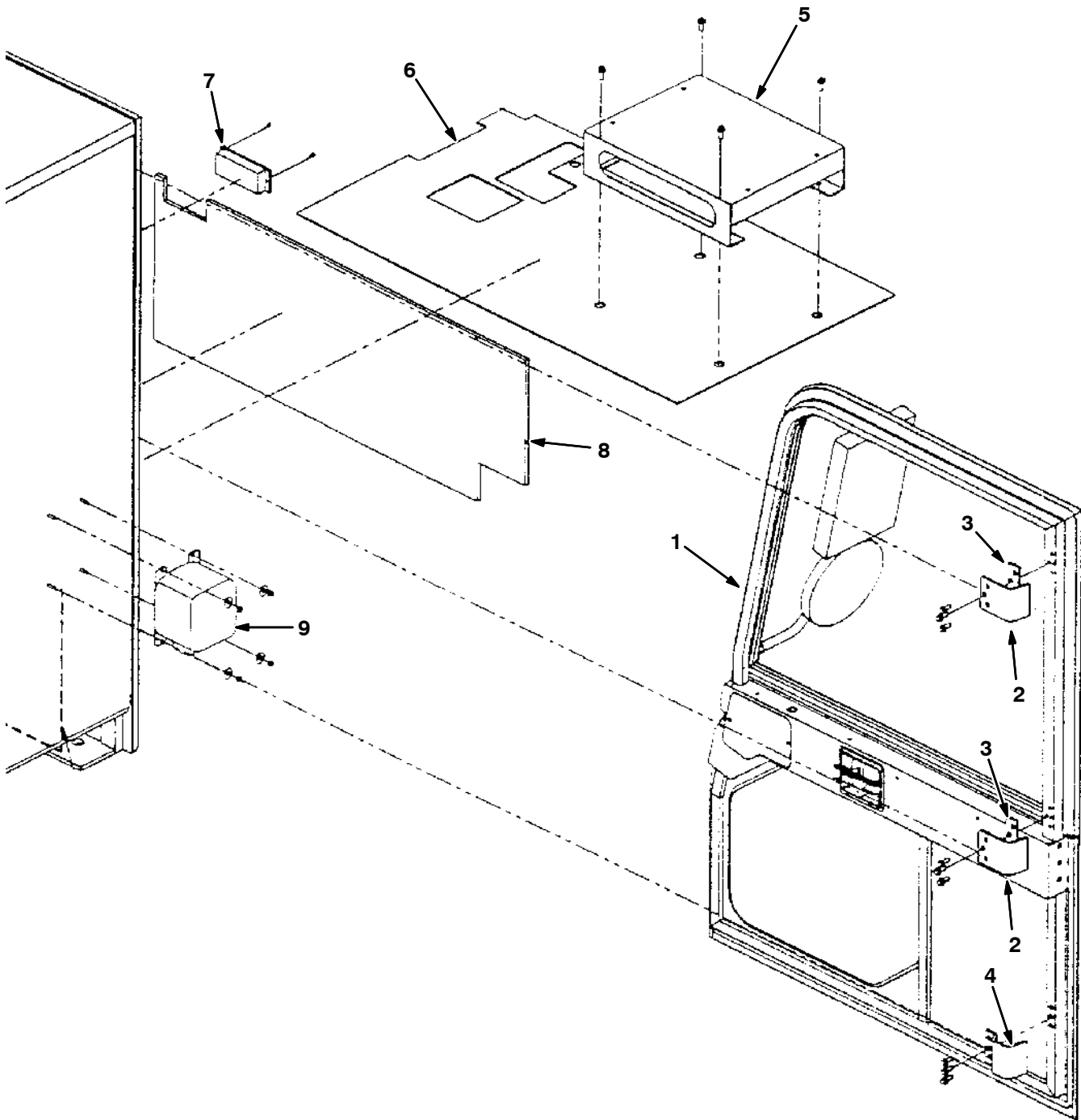
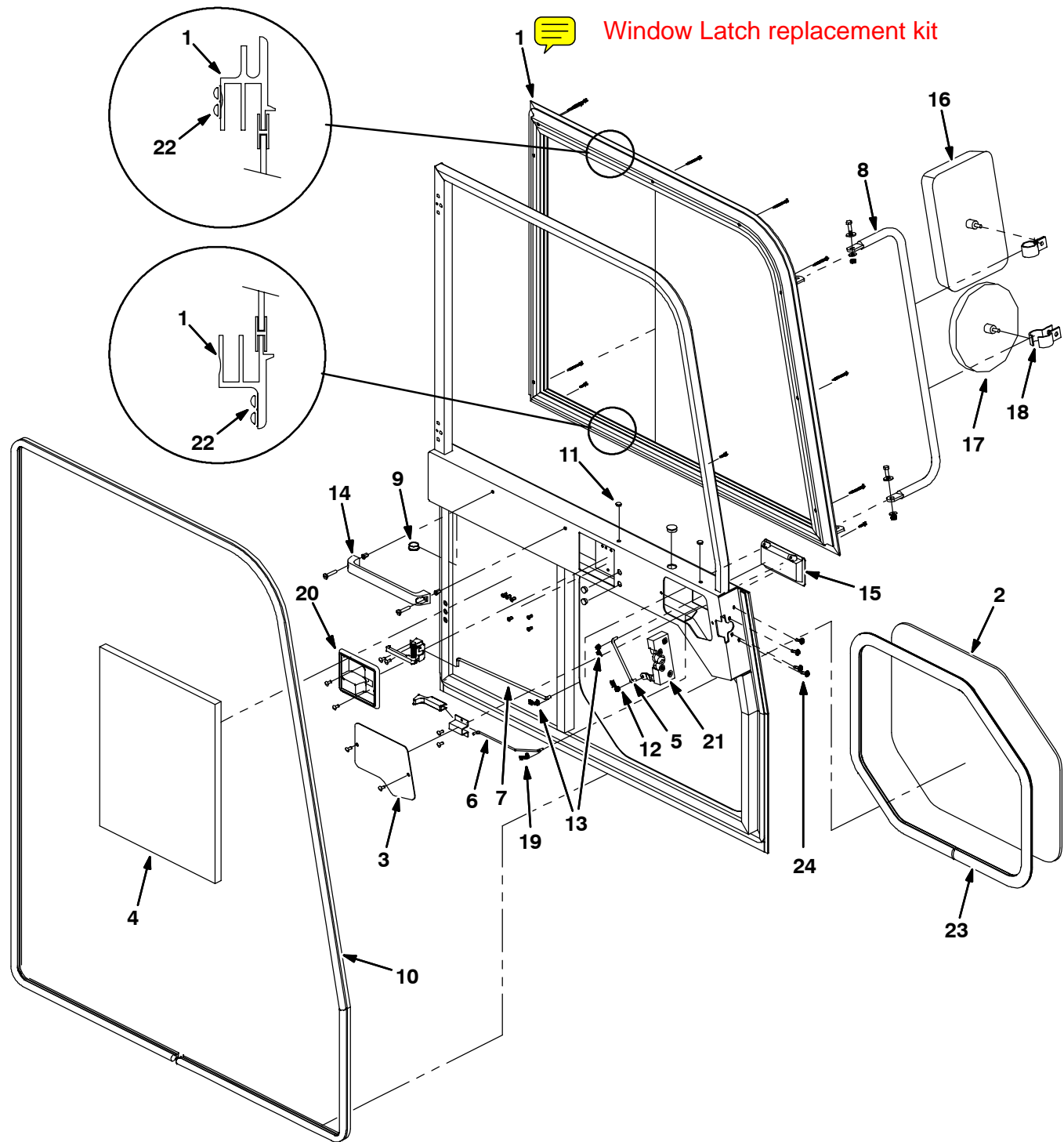


Fig. 34 - Right Cab Group

Ref.	TENNANT Part No.	Machine Number	Serial	Description	Qty.
1	769628	(000000-)	Assy, Door, Rh	1
2	769660	(000000-)	Wldt, Upper Hinge, R	2
3	769638	(000000-)	Spacer, Door, Upper	2
4	769661	(000000-)	Wldt, Lower Hinge, R	1
5	768447	(000000-)	Support, Seat, Drive	1
6	769655	(000000-)	Floor Mat, Rh Side	1
7	769618	(000000-)	Louver, 49Mmx121Mm B	1
8	769645	(000000-)	Foam, Ctr Console, R	1
9	761893	(000000-)	Bottle, Washer Fluid W/Pump	1

Fig. 35 - Left Cab Door Group



Window Latch replacement kit

Fig. 35 - Left Cab Door Group

Ref.	TENNANT Part No.	Machine Number	Serial	Description	Qty.	
1	769633	(000000-)	Window, Sliding, Lh	1	
2	769636	(000000-)	Window, Lower Door	1	
3	769639	(000000-)	Plate, Latch Cover	1	
4	769644	(000000-)	Foam, Lower Door, Ps	1	
5	769646	(000000-)	Rod, Cam Latch Relea	1	
6	769647	(000000-)	Rod, Cam Latch Relea	1	
7	769649	(000000-)	Rod, Inside Release	1	
8	769653	(000000-)	Tube, Mirror	1	
9	769603	(000000-)	Hose Plug, .8750 Hol	2	
10	761981	(000000-)	Seal, Bulb, 90 Deg.	1	
11	769604	(000000-)	Hole Plug, .313 Hole	2	
12	769605	(000000-)	Clip-Rod, End Retain	1	
13	769606	(000000-)	Clip-Rod, End Retain	2	
14	768456	(000000-)	Grab Handle, Diecast	1	
▽	15	761910	(000000-)	Latch, Pddl Rh W/Key	1
▲		761958	(000000-)	Key	1
16	761914	(000000-)	Mirror, Convex	1	
17	68445	(000000-)	Mirror, Convex, Round	1	
18	761915	(000000-)	Clamp, Dovetail	1	
19	769611	(000000-)	Clip-Rod, End Retain	1	
20	769612	(000000-)	Inside Rel W/Bezel	1	
21	769614	(000000-)	Cam Latch, Rh, Offse	1	
22	769619	(000000-)	Bulb Seal, "D"	1	
23	761909	(000000-)	Rubber, Window	1	
24	39236	(000000-)	Screw, Pan, .25-20 X 1.00, Ss	4	

Fig. 36 - Right Cab Door Group

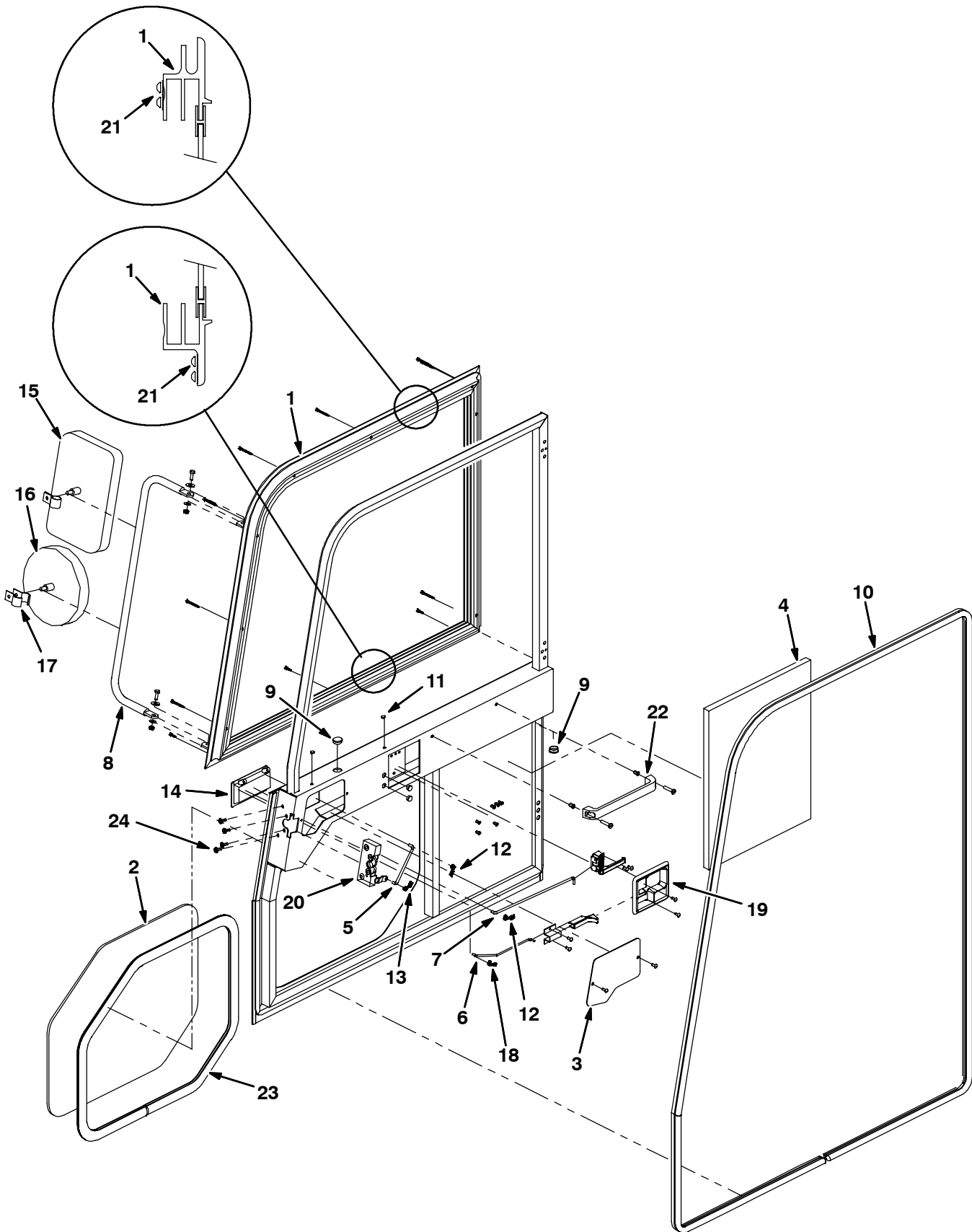


Fig. 36 - Right Cab Door Group

Ref.	TENNANT Part No.	Machine Number	Serial	Description	Qty.	
1	769634	(000000-)	Window, Sliding, Rh	1	
2	769636	(000000-)	Window, Lower Door	1	
3	769639	(000000-)	Plate, Latch Cover	1	
4	769644	(000000-)	Foam, Lower Door, Ps	1	
5	769646	(000000-)	Rod, Cam Latch Relea	1	
6	769648	(000000-)	Rod, Lock, Rh	1	
7	769650	(000000-)	Rod, Inside Release	1	
8	769653	(000000-)	Tube, Mirror	1	
9	769603	(000000-)	Hose Plug, .8750 Hol	2	
10	761981	(000000-)	Seal, Bulb, 90 Deg.	1	
11	769604	(000000-)	Hole Plug, .313 Hole	2	
12	769605	(000000-)	Clip-Rod, End Retain	2	
13	769606	(000000-)	Clip-Rod, End Retain	1	
▽	14	761922	(000000-)	Latch, Pddl, Lh W/Key	1
▲		761958	(000000-)	Key	1
15	761914	(000000-)	Mirror, Convex	1	
16	68445	(000000-)	Mirror, Convex, Round	1	
17	761915	(000000-)	Clamp, Dovetail	1	
18	769664	(000000-)	Clip-Rod, End Retain	1	
19	769621	(000000-)	Inside Release, W/Be	1	
20	769623	(000000-)	Cam Latch, Offset Le	1	
21	769619	(000000-)	Bulb Seal, "D"	1	
22	768456	(000000-)	Grab Handle, Diecast	1	
23	761909	(000000-)	Rubber, Window	1	
24	39236	(000000-)	Screw, Pan, .25-20 X 1.00, Ss	4	

Fig. 37 - Cab Insulation and Seat Belt Group

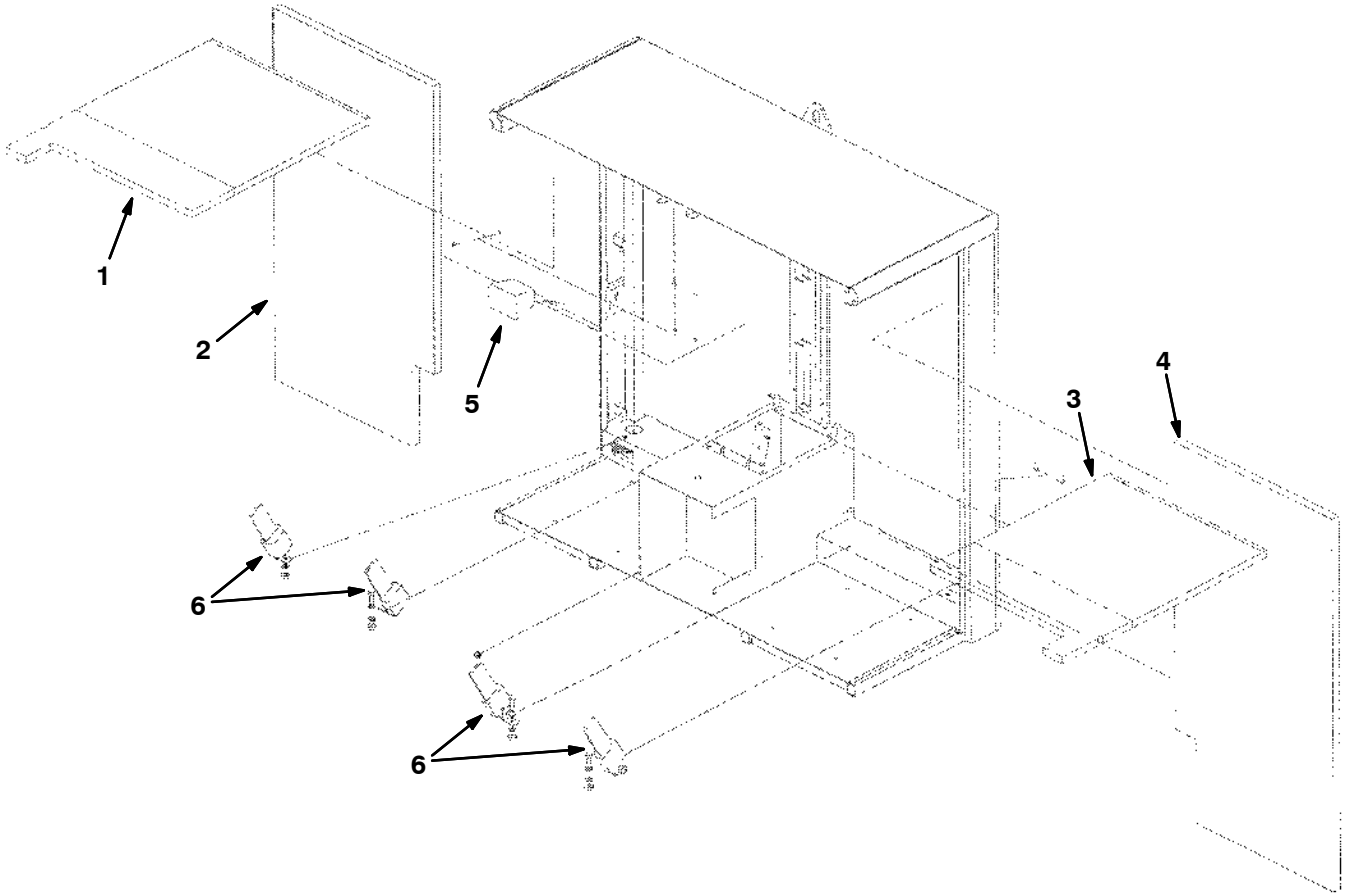


Fig. 37 - Cab Insulation and Seat Belt Group

Ref.	TENNANT Part No.	Machine Number	Serial	Description	Qty.
1	769643	(000000-)	Foam, Headliner, Rh	1
2	769641	(000000-)	Foam,Rr Panel,Rh W/B	1
3	769642	(000000-)	Foam, Headliner, Lh	1
4	769640	(000000-)	Foam,Rr Panel,Lh W/B	1
5	768591	(000000-)	Lamp, Flood, Side Brush	1
6	769613	(000000-)	Seat Belt, Blk, Retr	2

Fig. 38 - Cab Console and Covers Group

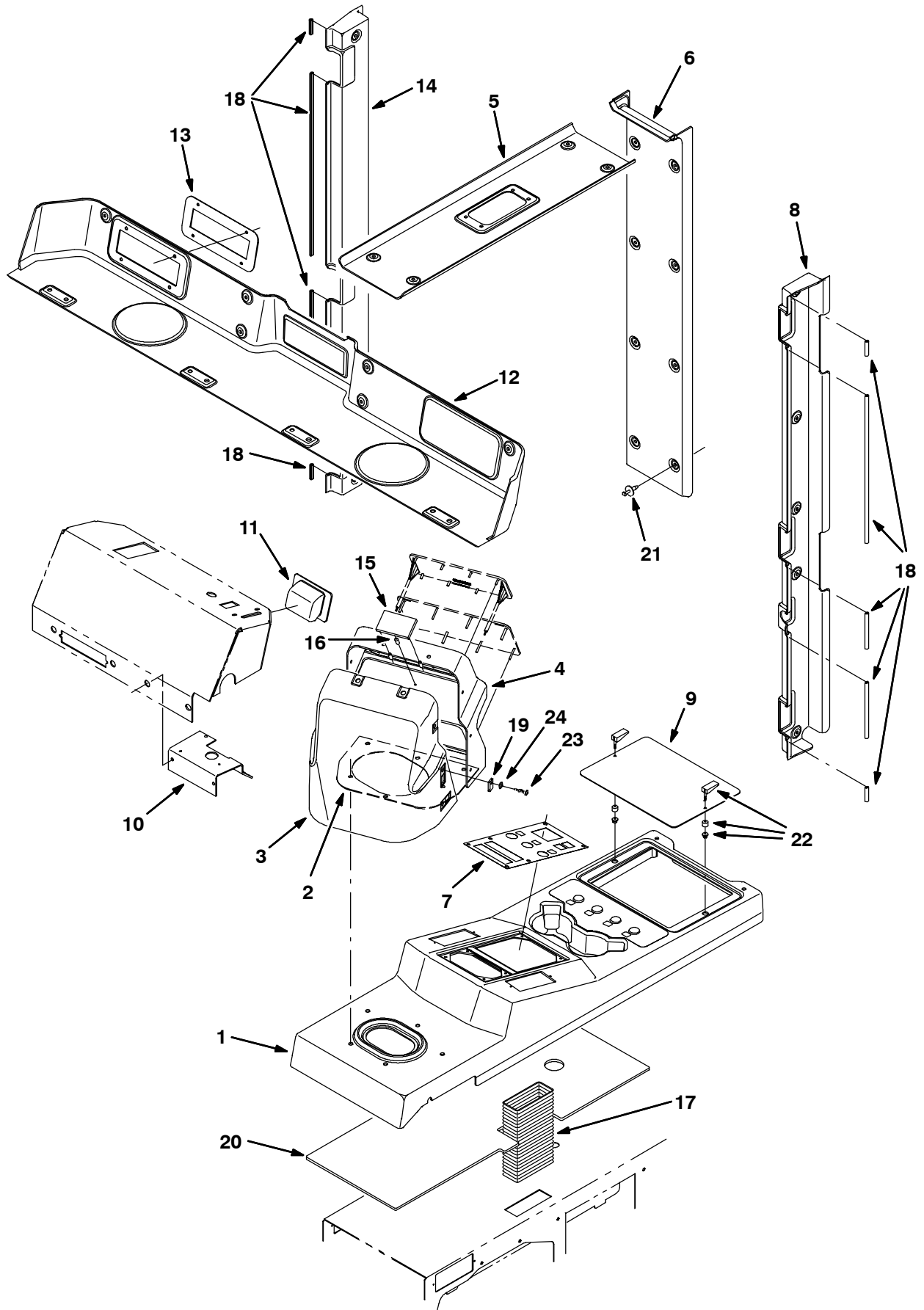


Fig. 38 - Cab Console and Covers Group

Ref.	TENNANT Part No.	Machine Number	Serial	Description	Qty.
1	768432	(000000-)	Panel, Console, Control, Cent	1
2	768449	(000000-)	Plate	1
▽	768442	(000000-)	Shroud/Bezel, Instmt, Purch Kit	1
▲	768434	(000000-)	Shroud, Instrument	1
▲	768433	(000000-)	Bezel, Case, Instrument	1
5	768430	(000000-)	Cover, Wire Channel, Top	1
6	768431	(000000-)	Cover, Wire Channel, Back	1
7	768446	(000000-)	Bezel, Switch, Center Console	1
8	768429	(000000-)	Panel, Rear, Lh	1
9	768452	(000000-)	Panel, Access	1
10	768453	(000000-)	Bracket, Cable, Throttle	1
11	761952	(000000-)	Ashtray, Side Mounting, Chr	1
12	768425	(000000-)	Panel, Console, Upper, Switch	1
13	768443	(000000-)	Plate, Switch, Upper	1
14	768428	(000000-)	Panel, Rear, Rh	1
15	768581	(000000-)	Circuit Board Power Supply	1
16	768603	(000000-)	Support, Circuit Board	3
17	768492	(000000-)	Duct, Air	2
18	768467	(000000-)	Seal, Cab	1
19	12271	(000000-)	U-Nut M6x 1.0	8
20	768595	(000000-)	Insulation, Console	1
21	72970	(000000-)	Screw, Plastic Rivet	30
22	768451	(000000-)	Latch, Cover, Access	2
23	763147	(000000-)	Screw	8
24	763099	(000000-)	Washer	8

Fig. 39 - Cab Instruments and Controls Group

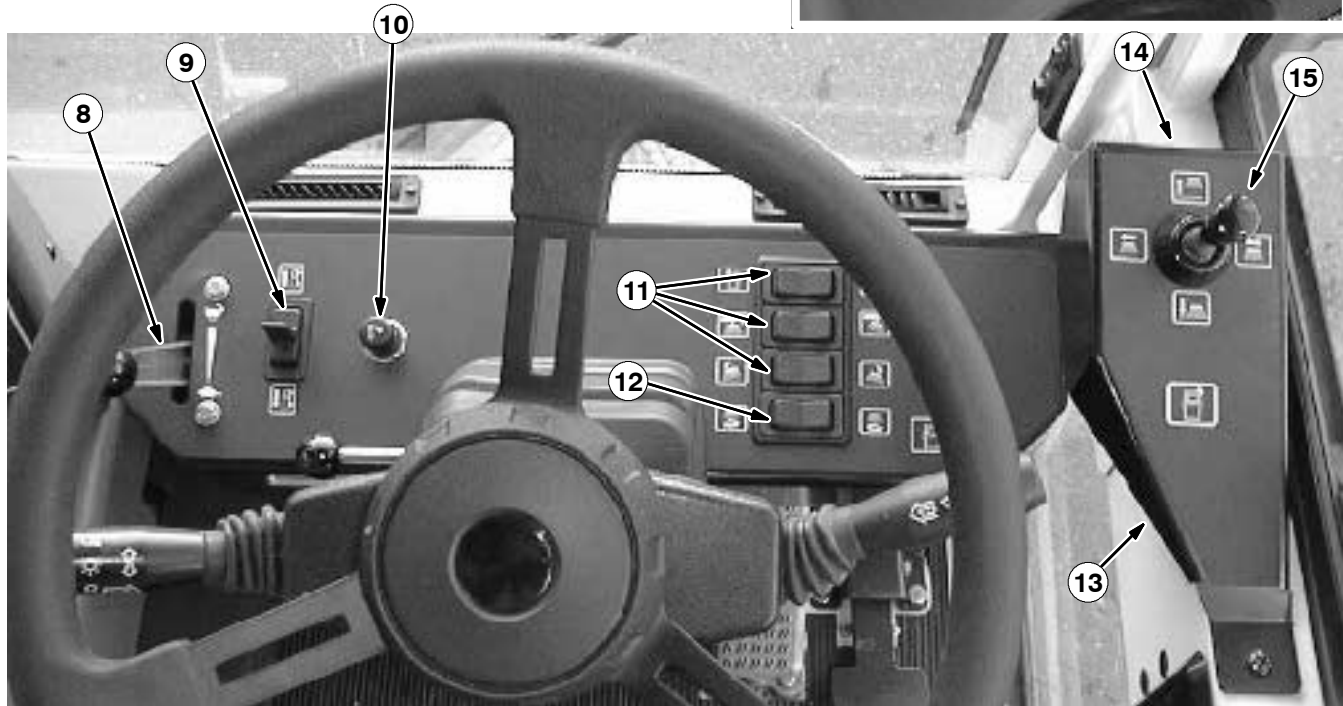
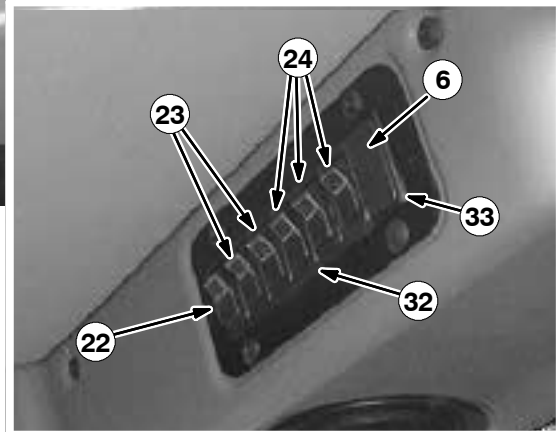
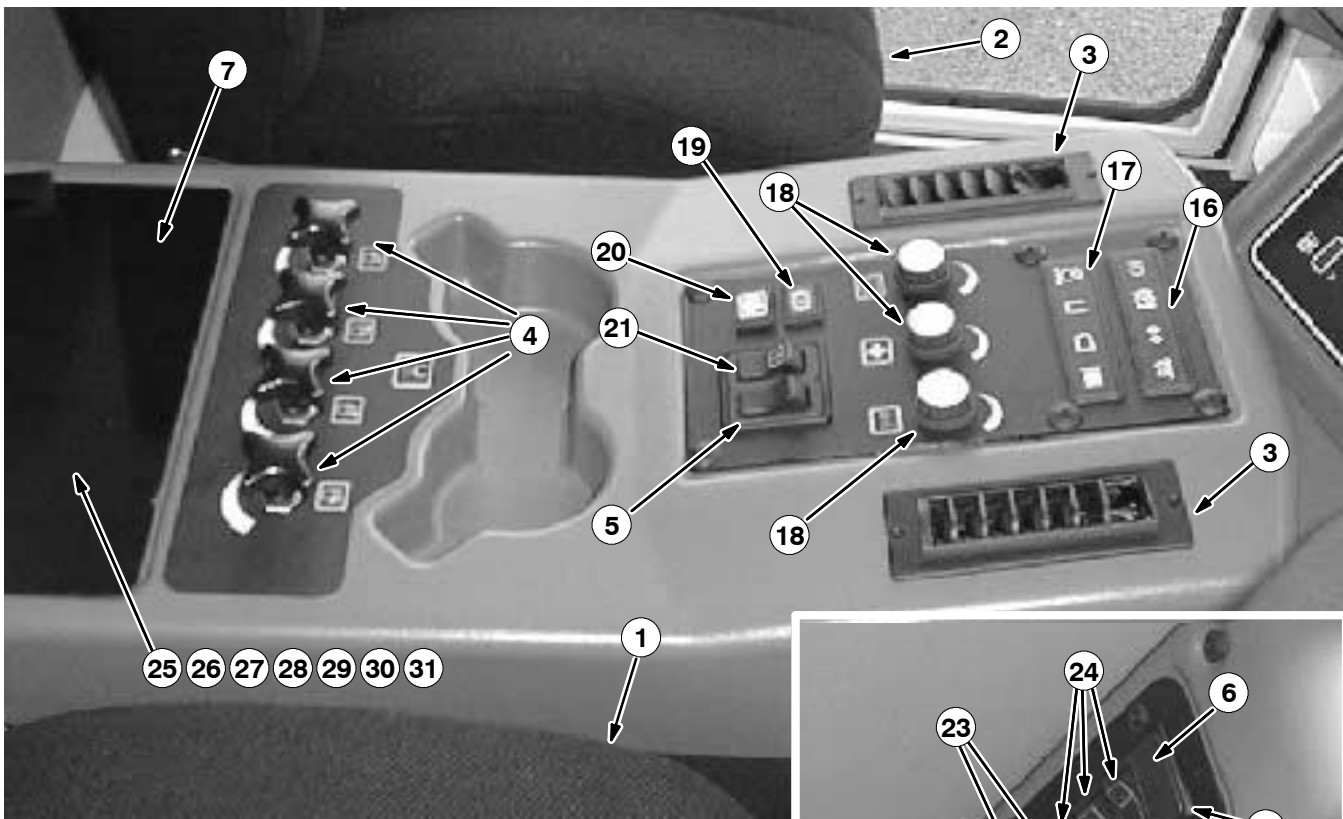


Fig. 39 - Cab Instruments and Controls Group

Ref.	TENNANT Part No.	Machine Number	Serial	Description	Qty.	
1	768493	(000000-)	Operator Seat with Connector	1	
2	768485	(000000-)	Seat	1	
2	765283	(000000-)	Kit, Seat, Suspension, Passenger (Optional)	1	
3	769618	(000000-)	Louver	2	
4	762236	(000000-)	Knob, Water Valve (Option)	4	
5	768610	(000000-)	Switch, Parking Brake	1	
6	762521	(000000-)	Plug, Panel Switch	8	
7	762513	(000000-)	Fuse, 10 Amp	5	
7	762514	(000000-)	Fuse, 15 Amp	7	
7	762515	(004531-)	Fuse, 20 Amp	1	
7	762583	(000000-)	Fuse, 25 Amp	2	
7	762516	(000000-)	Fuse, 30 Amp	2	
8	768458	(000000-)	Lever, Throttle	1	
9	762525	(000000-)	Switch, Paddle Rocker DPDT	1	
10	761954	(000000-)	Lighter, 12V Cig	1	
11	762526	(000000-)	Switch, Rocker DPDT Momentary (Option)	3	
12	768529	(000000-)	Switch, Rocker SPDT on-off-on (Option)	1	
13	768462	(000000-)	Plate, Bottom, Vario (Option)	1	
14	768461	(000000-)	Bracket, Control, Vario (Option)	1	
▽	15	762505	(000000-)	Joystick (Option)	1
▲		762575	(000000-)	Micro Switch, Joystick	4
	16	768551	(000000-)	Lamp,Warnig 4way	1
	17	768552	(000000-)	Lamp,Warnig 4way	1
	18	761926	(000000-)	Knob, Switch Fan (Air Conditioner Knob Optional)	3
	19	768601	(000000-)	Lamp,Warnig, Brake Pressure	1
	20	768554	(000000-)	Lamp,Warnig, Tilt Indicator (High Dump only)	1
	21	768609	(000000-)	Switch, Engine Shutdown	1
	22	768611	(000000-)	Switch, Lights, 4-way Warning	1
	23	768612	(000000-)	Switch, Lights	2
	24	768612	(000000-)	Switch (Option)	3
	25	768599	(000000-)	Circuit, Diode (Vario only)	1
	26	768603	(000000-)	Support, Circuit Board (Vario only)	3
	27	57804	(000000-)	Relay	10
	28	222290	(000000-)	Diode	10
	29	768580	(000000-)	Sensor, Directional Level (High Dump only)	1
	30	10962	(000000-)	Diode, Bridge	2
	31	768632	(000000-)	Kit, Fuse Box	1
	32	762520	(000000-)	Bezel, Center Switch	7
	33	762519	(000000-)	Bezel, End Switch	6
		31922	(000000-)	Flasher Heavy Duty	1
		762547	(000000-)	Buzzer	1
		762604	(000000-)	Glowplug preheater	1
		768399	(000000-)	Bracket	1
		46236	(000000-)	Clamp	1

Fig. 40 - Cab Lights, Visor, and Pedal Group

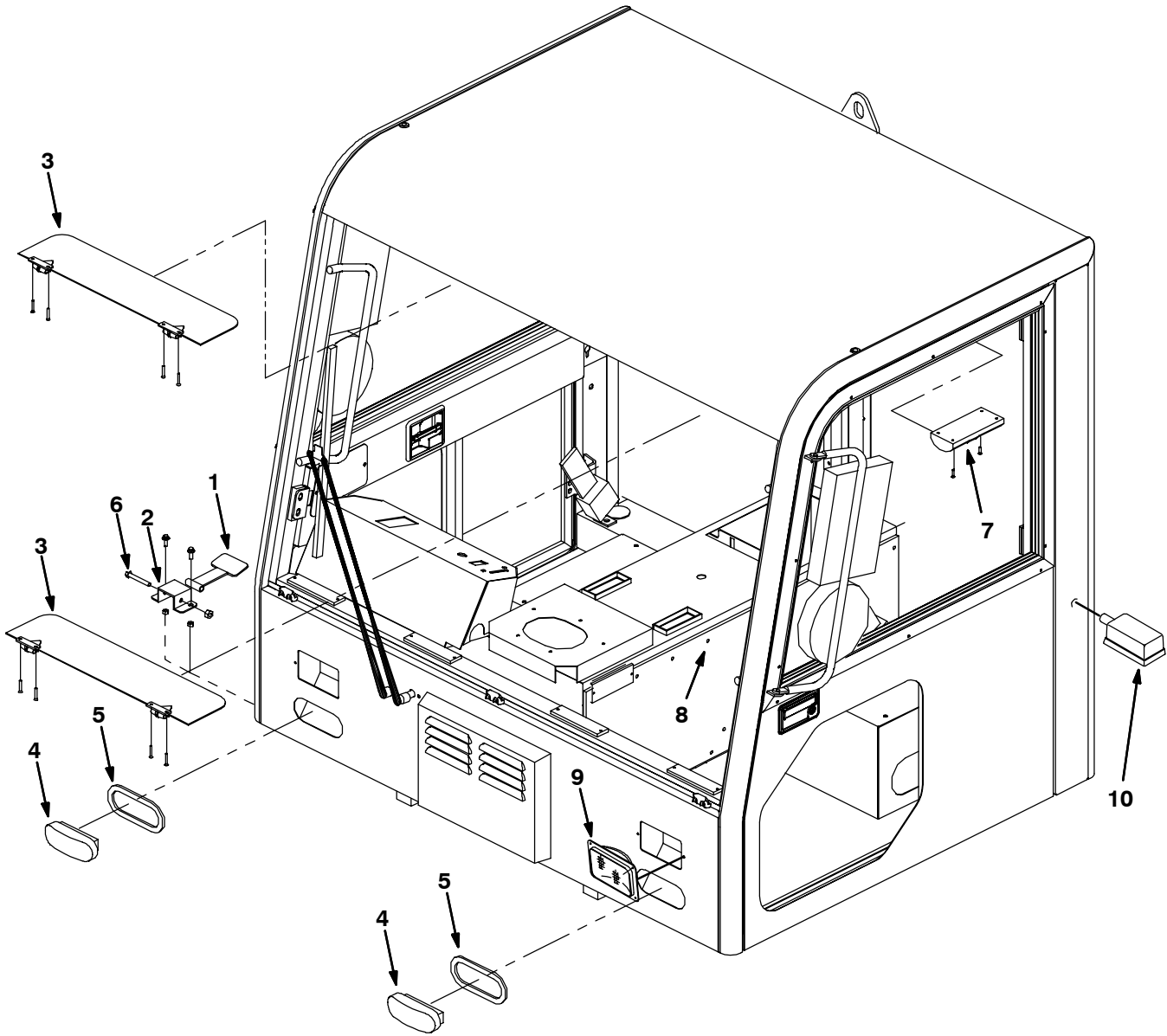


Fig. 40 - Cab Lights, Visor, and Pedal Group

Ref.	TENNANT Part No.	Machine Number	Serial	Description	Qty.	
1	769651	(000000-)	Wldt, Accelerator Pe	1	
2	769652	(000000-)	Bracket, Accelerator	1	
3	769656	(000000-)	Sun Visor	2	
4	761881	(000000-)	Light, Signal, Amber	2	
5	769607	(000000-)	Grommet, Turn Signal	2	
6	35706	(000000-)	Bolt, .374-16X2.75	1	
7	768570	(000000-)	Dome Light W/Map 12V	1	
8	769626	(000000-)	Screw, .25-20X.75Blk	8	
▽	9	768550	(000000-)	Headlight, Assy	2
▲		768607	(000000-)	Lamp #4	1
▽	10	768591	(000000-)	Side Brush Light R.H.	1
▲		768606	(000000-)	Bulb	1

Fig. 41 - Cab Heater Group

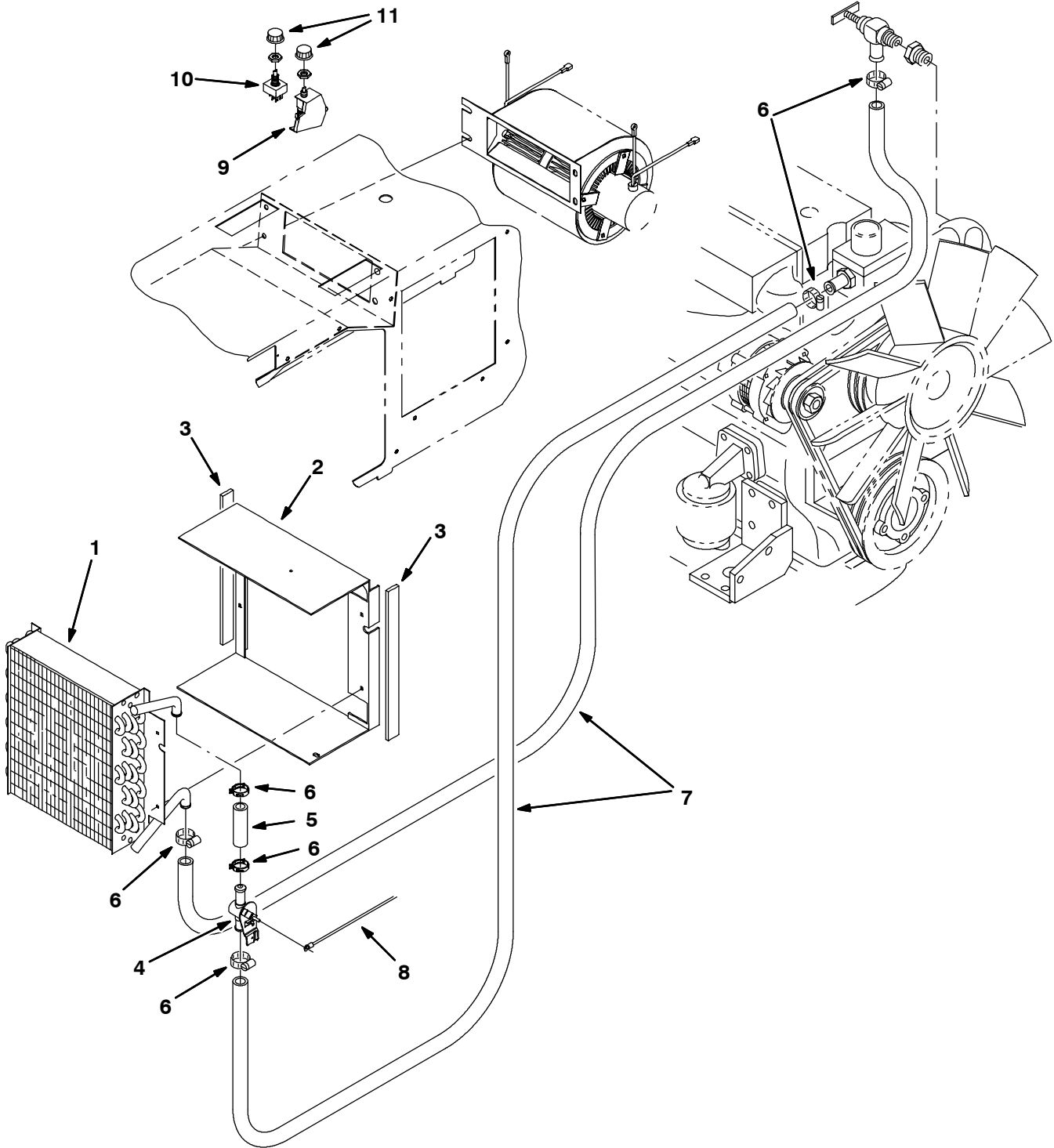


Fig. 41 - Cab Heater Group

Ref.	TENNANT Part No.	Machine Number	Serial	Description	Qty.
1	769024	(000000-)	Coil, Heater	1
2	769039	(000000-)	Bracket, Coil	1
3	769040	(000000-)	Seal, Weatherstrip	2
4	761950	(000000-)	Valve, Water	1
5	769038	(000000-)	Hose, Heater	1
6	63810	(000000-)	Clamp, Wormdrive	6
7	769046	(000000-)	Hose, Heater	2
8	761946	(000000-)	Cable, Push-Pull	1
9	761927	(000000-)	Cable, Rotary Control Control, Cable, Rotary	1
10	761924	(000000-)	Switch, Fan, 3-Speed	1
11	761926	(000000-)	Knob, Switch	2

Fig. 42 - Blower Assembly

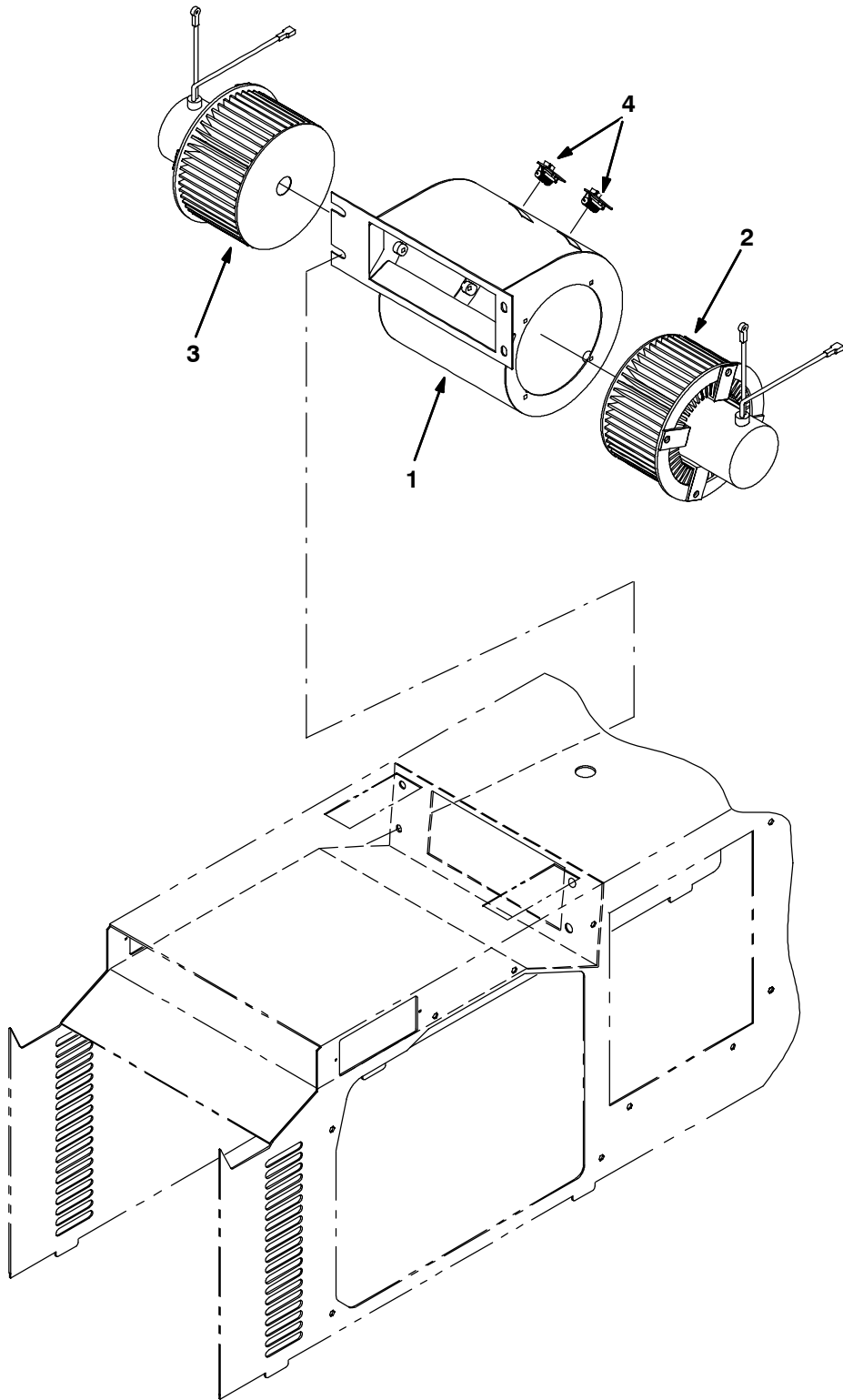


Fig. 42 - Blower Assembly

	Ref.	TENNANT Part No.	Machine Number	Serial	Description	Qty.
▽		769036	(000000-)	Blower, Assy	1
▲	1	769033	(000000-)	Housing, Blower	1
▲	2	769032	(000000-)	Motor, Assy, Blower, Rh Lh	1
▲	3	769031	(000000-)	Motor, Assy, Blower, Lh Rh	1
▲	4	761936	(000000-)	Resistor, Block	2

Fig. 43 - Instrument Panel Assembly

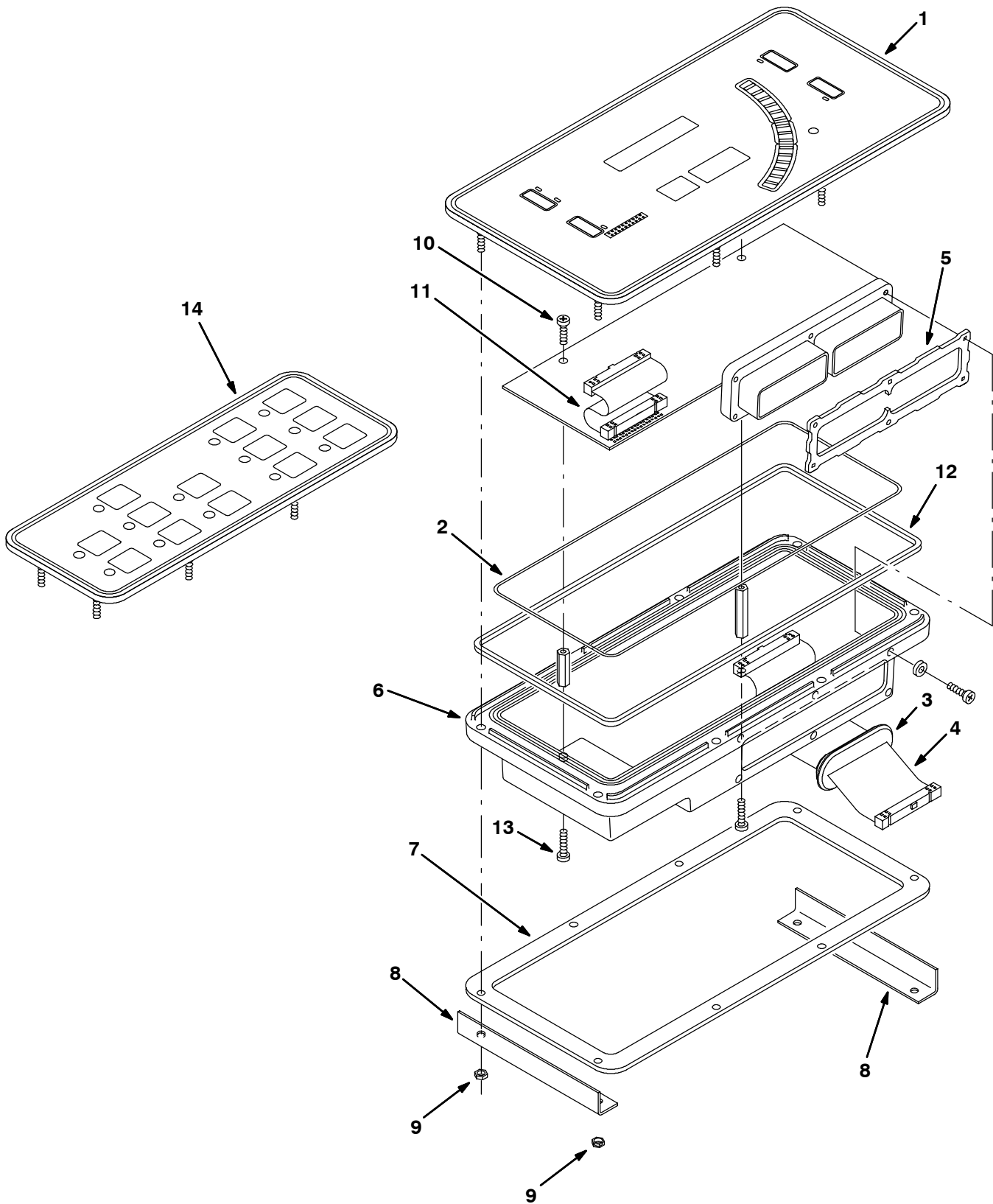


Fig. 43 - Instrument Panel Assembly

Ref.	TENNANT Part No.	Machine Number	Serial	Description	Qty.
▽	768573	(000000- 003706)		Kit, Instrument Panel Assembly	1
use 768573 ▽	768571	(003707-)	Instrument Panel Assembly	1
▲▽	768574	(000000-003706))	Panel Assembly, Control	1
▲▽	768572	(003707-)	Panel Assembly, Control	1
▲▲	1 768587	(000000-)	Panel, Instrument	1
▲▲	2 73219	(000000-)	O Ring Seal	1
▲▲	3 27928	(000000-)	Grommet, Ribbon Cable	1
▲▲	4 768583	(000000-)	Cable, Ribbon, 34 Conductor	1
▲▲	5 364943	(000000-)	Seal, Connector, 60 Pin	1
▲▲	6 768584	(000000-)	Box, Instrument	1
▲▲	7 364941	(000000-)	Plate, Backing	1
▲▲	8 364292	(000000-)	Bracket, L	2
▲▲	9 02850	(000000-)	Nut, Hex	8
▲▲	10 32515	(000000-)	Screw, Pan	2
▲▲	11 768582	(000000-)	Cable, Ribbon, 20 Conductor	1
▲▲	12 365183	(000000-)	Gasket, Box, Instrument	1
▲▲	13 364942	(000000-)	Screw, Pan	2
▲	14 768586	(000000-)	Panel, Touch	1
	768578	(000000-)	Replacement Kit, Controller, Micro	1
	27964	(000000-)	Static Strap	1

Fig. 44 - Steering Wheel Group

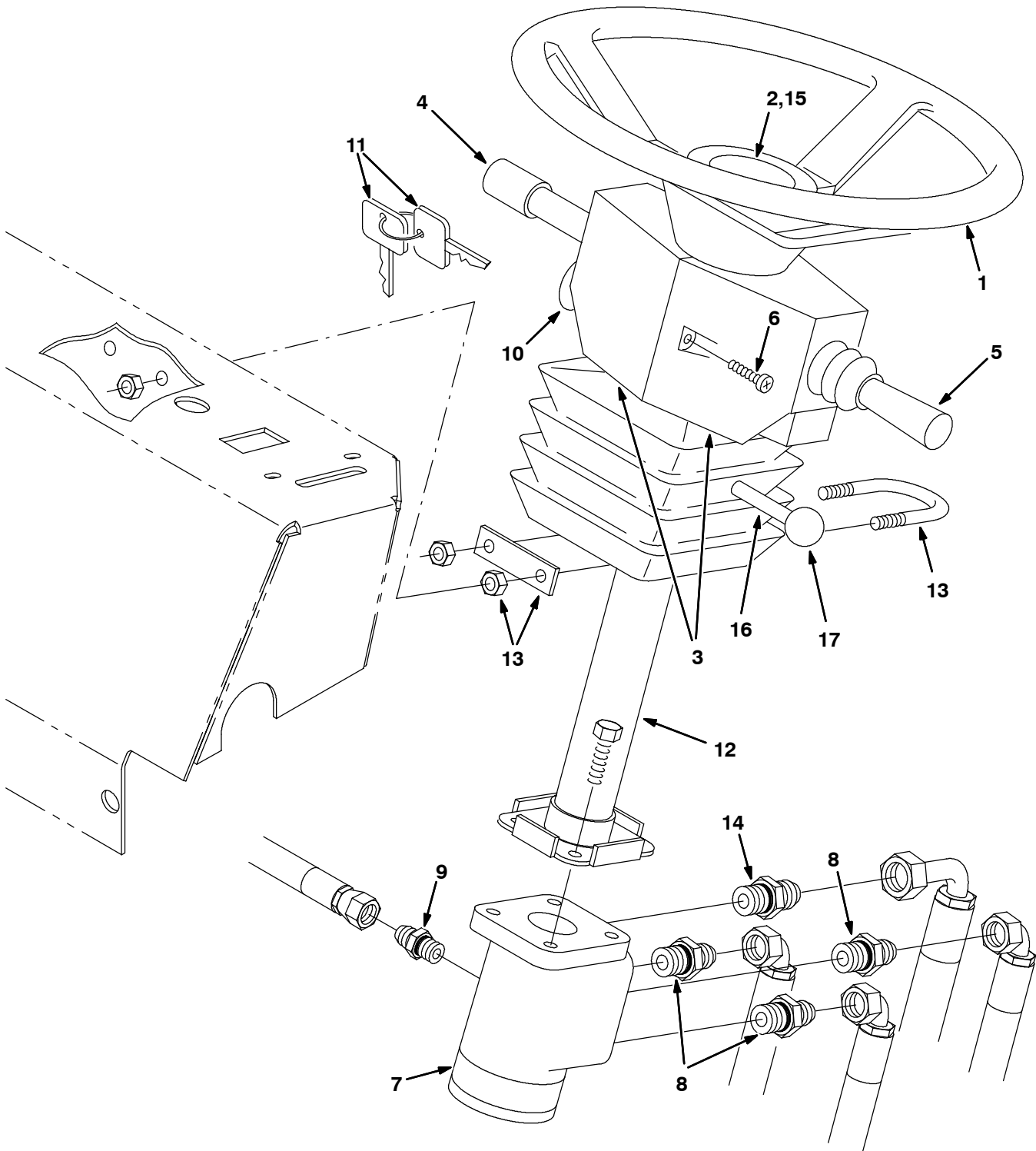


Fig. 44 - Steering Wheel Group

Ref.	TENNANT Part No.	Machine Number	Serial	Description	Qty.
1	768481	(000000-)	Wheel, Steering	1
2	768482	(000000-)	Cover, Steering Wheel	1
▽ 3	762501	(000000-)	Steering Column Switch	1
▲ 4	762601	(000000-)	Switch, Assy Wipers	1
▲ 5	762602	(000000-)	Switch, Assy Turn/Lights	1
▲ 6	762603	(000000-)	Screw, Switch Assy	2
7	762018	(000000-)	Steering Unit, Hyd Q-Amp	1
8	762438	(000000-)	Ftg-Hyd, Str	3
9	762427	(000000-)	Ftg-Hyd, Elbow, 4-6	1
10	762504	(000000-)	Switch, Key, Steering Column	1
11	762517	(000000-)	Key, Ignition Switch	2
12	768480	(000000-)	Column, Steering (Tilt)	1
13	768457	(000000-)	U Bolt	1
14	767409	(000000-)	Ftg-Hyd, Str	1
15	57676	(000000-)	Nut, Steering Wheel	1
16	770023	(000000-)	Rod, Thrd	1
17	26565	(000000-)	Knob, Ball, 1.25d 0.38-16 Plstc	1

Fig. 45 - Right Side Brush Group

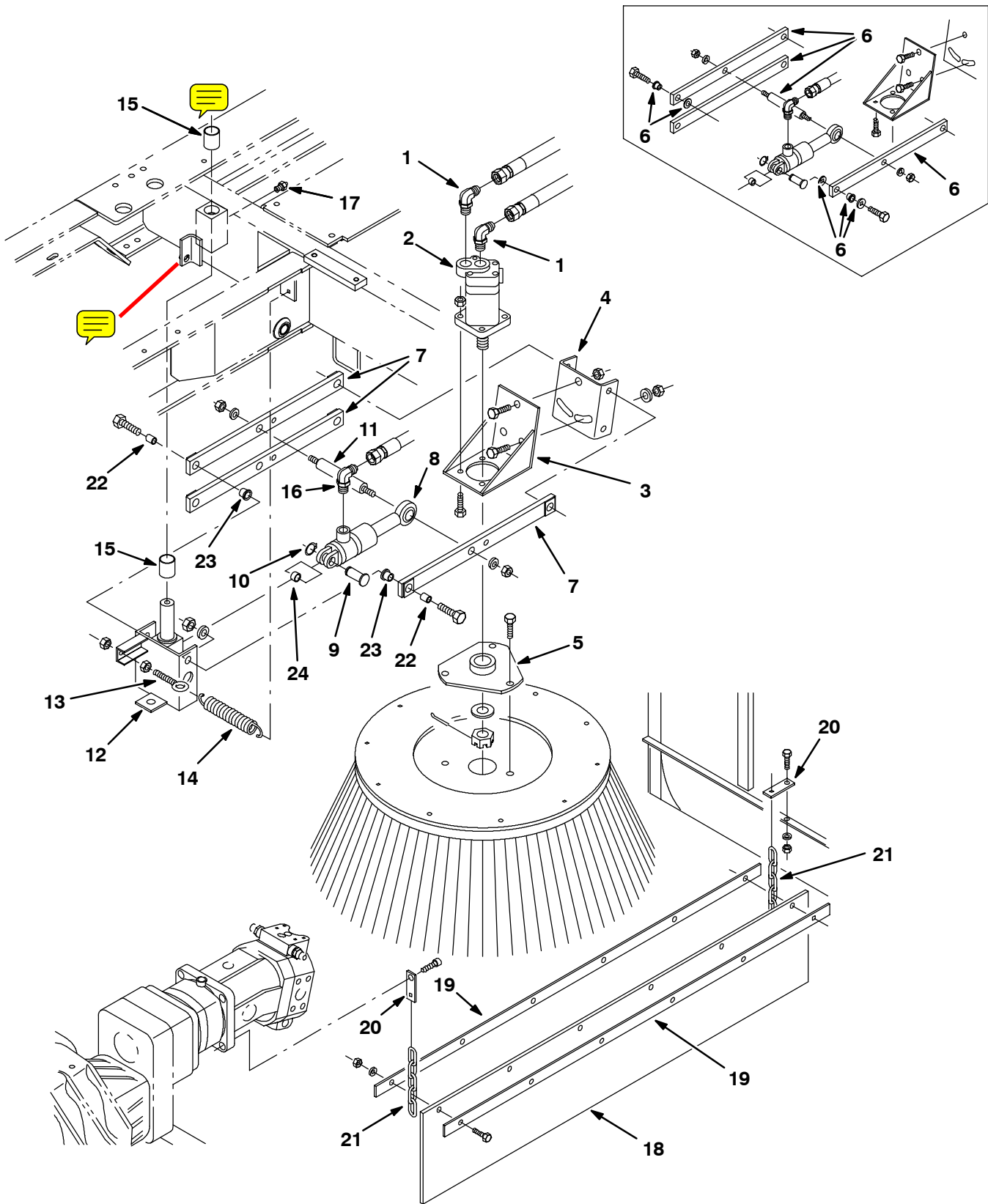
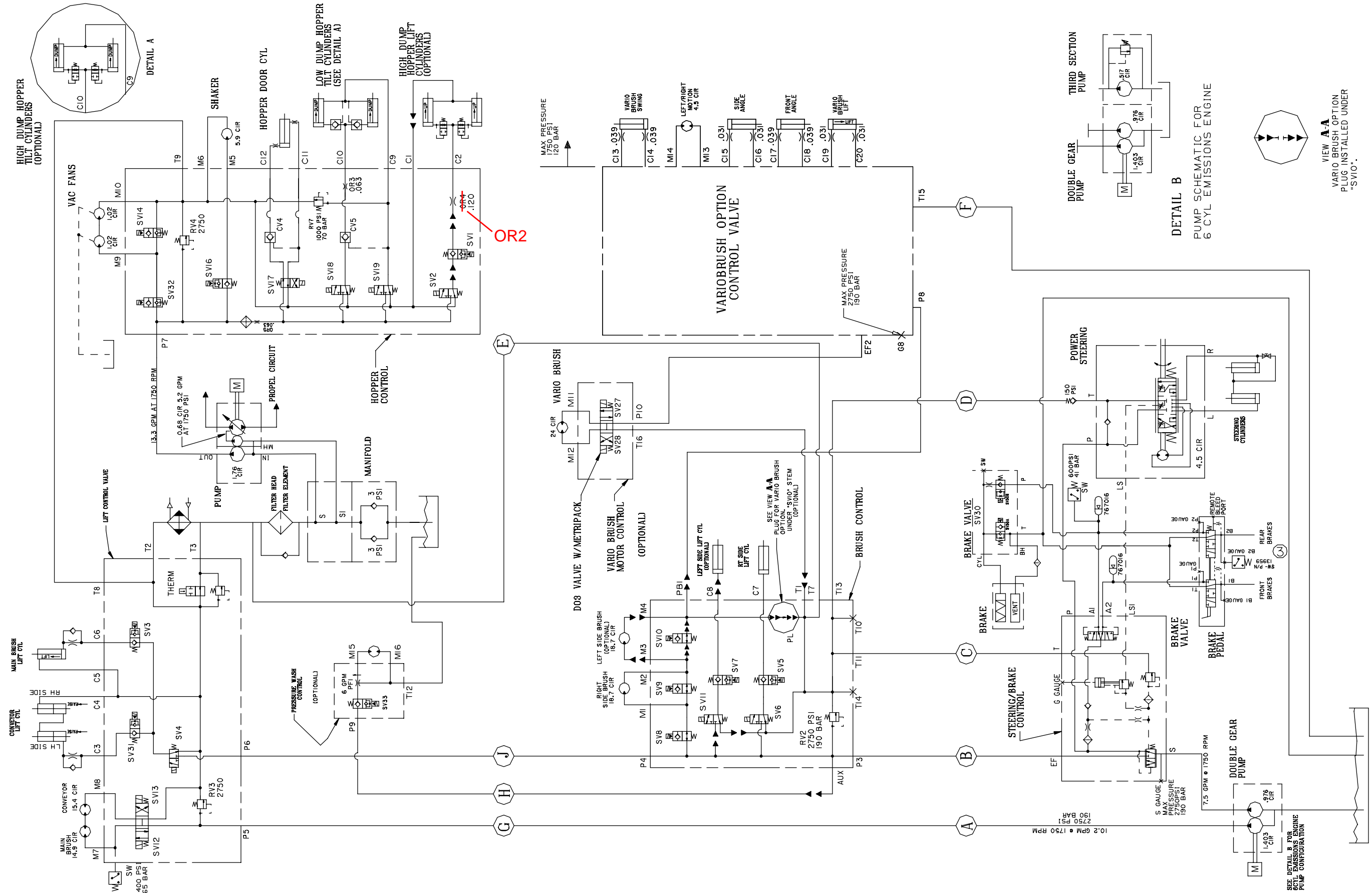


Fig. 45 - Right Side Brush Group

Ref.	TENNANT Part No.	Machine Number	Serial	Description	Qty.	
1	767411	(000000-)	Ftg-Hyd, E90	2	
2	762059	(000000-)	Motor, Hyd S Br W/End Ports (See Breakdowns)	1	
3	761209	(000000-)	Bracket,Hyd.Motor Support	1	
4	768834	(000000-)	Channel Weldt,Lower Support	1	
5	761428	(000000-)	Hub Weldt,Side Brush	1	
6	767642	(000000-004077)	Replacement Kit, Side Brush Linkage	1	
7	768836	(004078-)	Bar, Brush Support	3	
▽	8	762043	(000000-)	Cylinder, Hyd S Br Lift	1
▲		762073	(000000-)	Kit, Seal, Cyl, Hyd	1
9	761229	(000000-)	Pin,Hyd.Cylinder	1	
10	763005	(000000-)	Retaining Ring, M16	1	
11	767644	(004078-)	Shaft, Side Brush	1	
12	768843	(000000-)	Bracket,Side Brush Rh	1	
13	761225	(000000-)	Eyebolt, .50-13X3.5"	1	
14	761223	(000000-)	Spring	1	
15	763003	(000000-)	Bearing	2	
16	762425	(000000-)	Ftg-Hyd, E90	1	
17	47801	(000000-)	Ftg, Grease.25-28Th Strt .63L	1	
18	761215	(000000-)	Skirt, Rubber	1	
19	761216	(000000-)	Retainer,Skirt	2	
20	761217	(000000-)	Bracket,Skirt	2	
21	40758	(000000-)	Chain,Link#2/08 5Links,Br.Zinc	2	
22	768842	(004078-)	Tube	6	
23	767641	(004078-)	Bearing, Flange	6	
24	763007	(000000-)	Bearing	1	

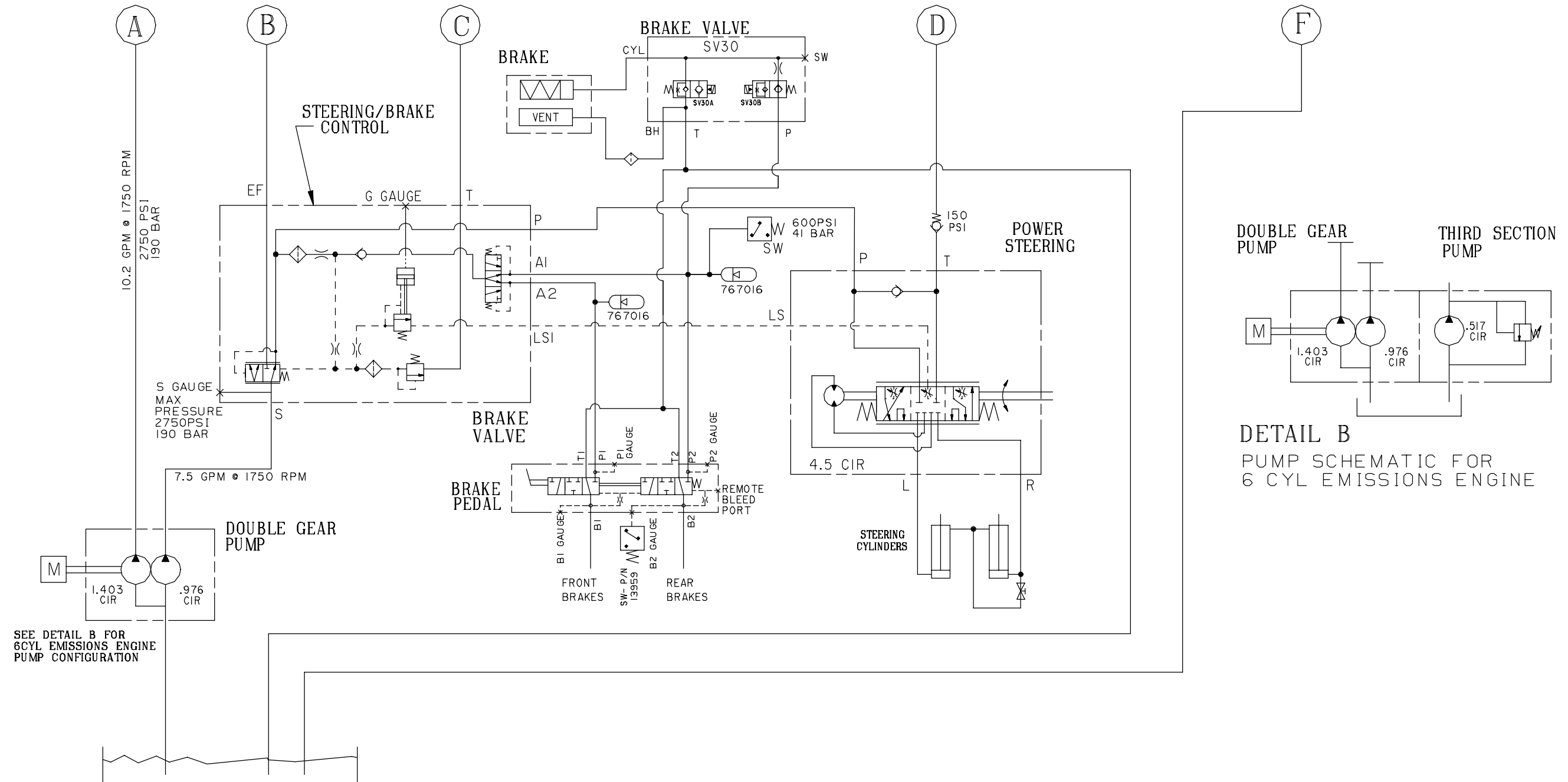
Fig. 46 - Hydraulic Schematic



VIEW A-A
VARIO BRUSH OPTION
PLUG INSTALLED UNDER
"SV10".

SEE DETAIL B FOR
8 CYL EMISSIONS ENGINE
PUMP CONFIGURATION

Fig. 46 - Hydraulic Schematic



SEE DETAIL B FOR 6CYL EMISSIONS ENGINE PUMP CONFIGURATION

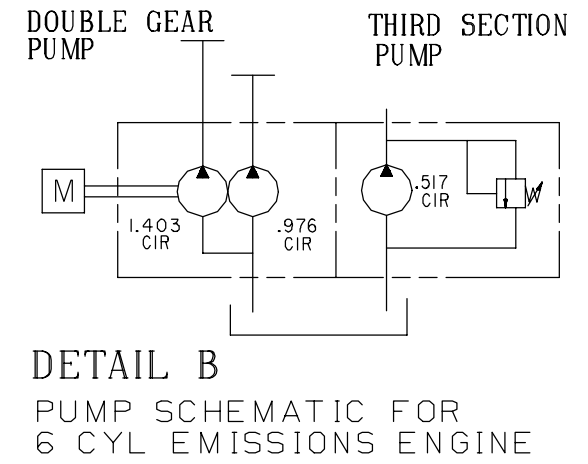


Fig. 46 - Hydraulic Schematic

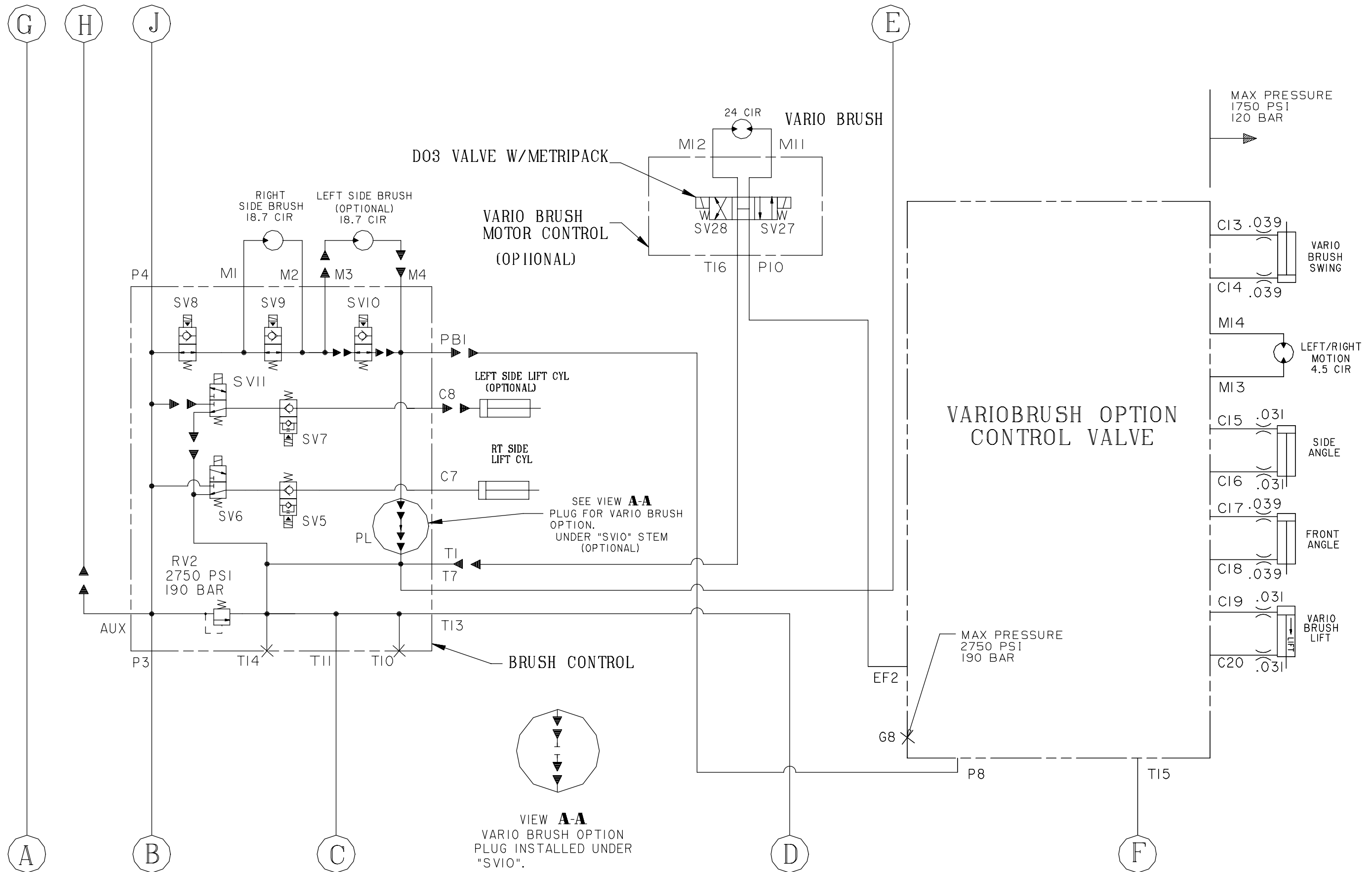


Fig. 46 - Hydraulic Schematic

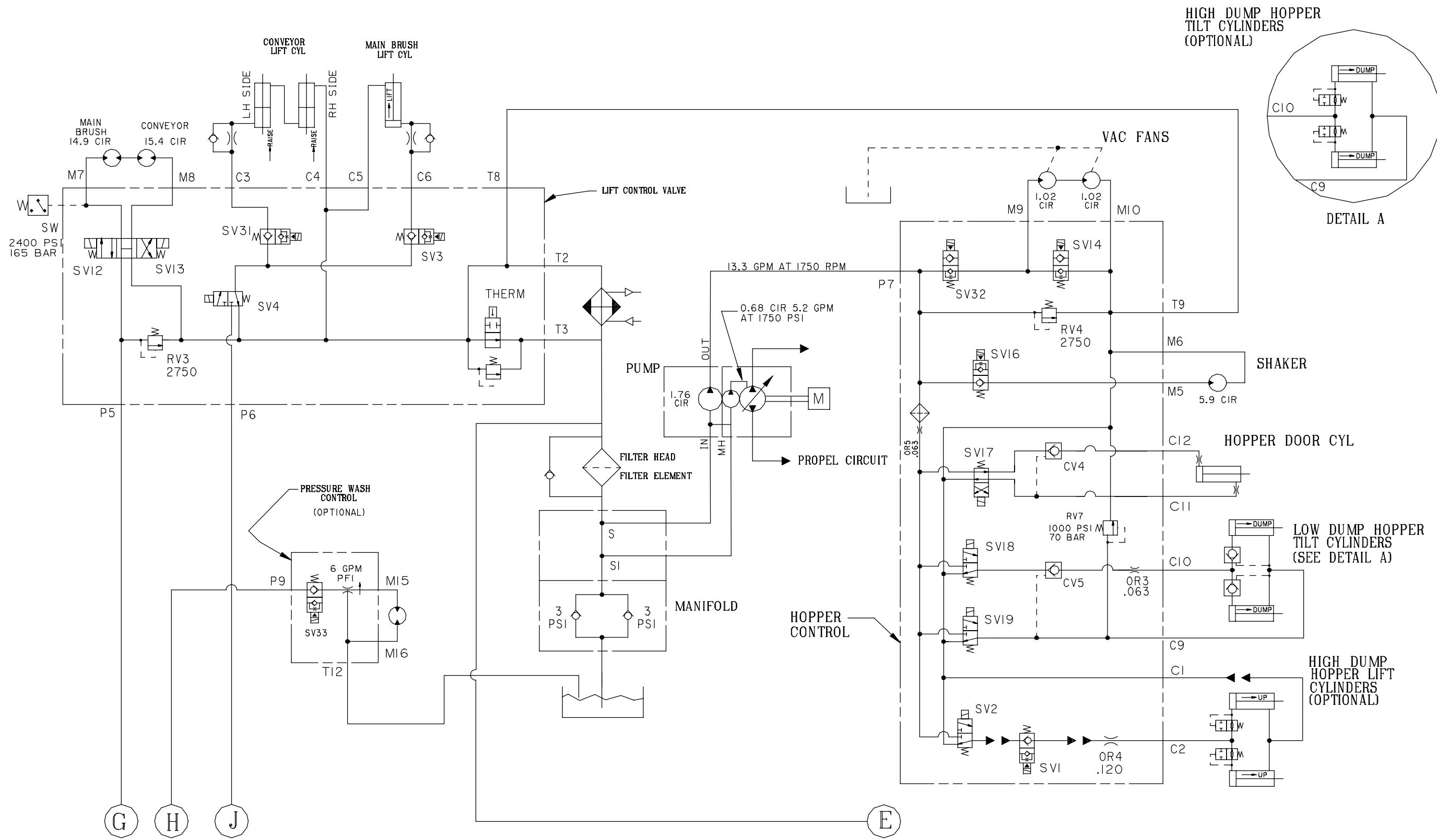
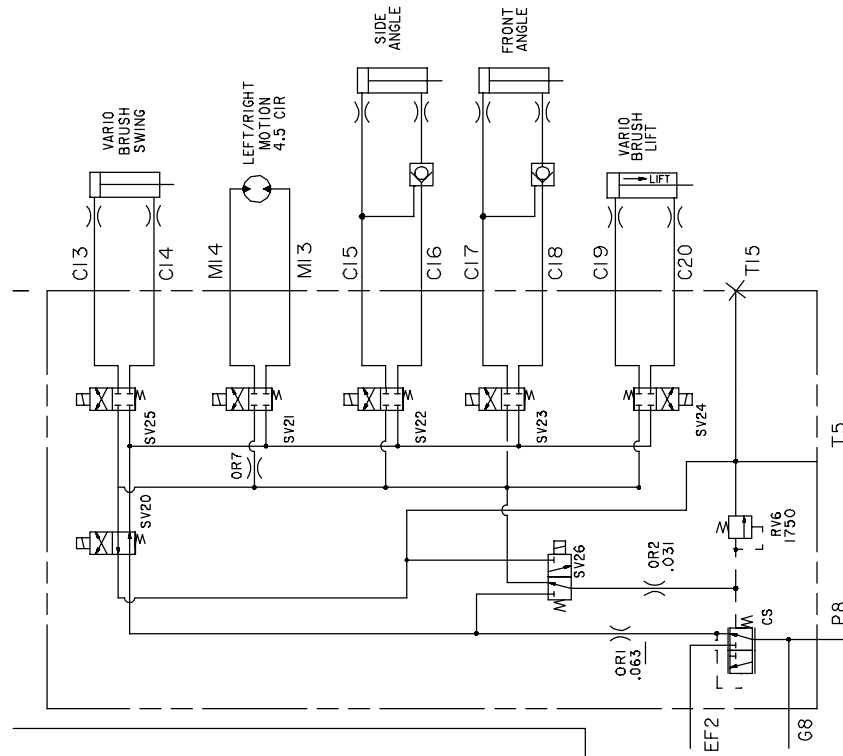
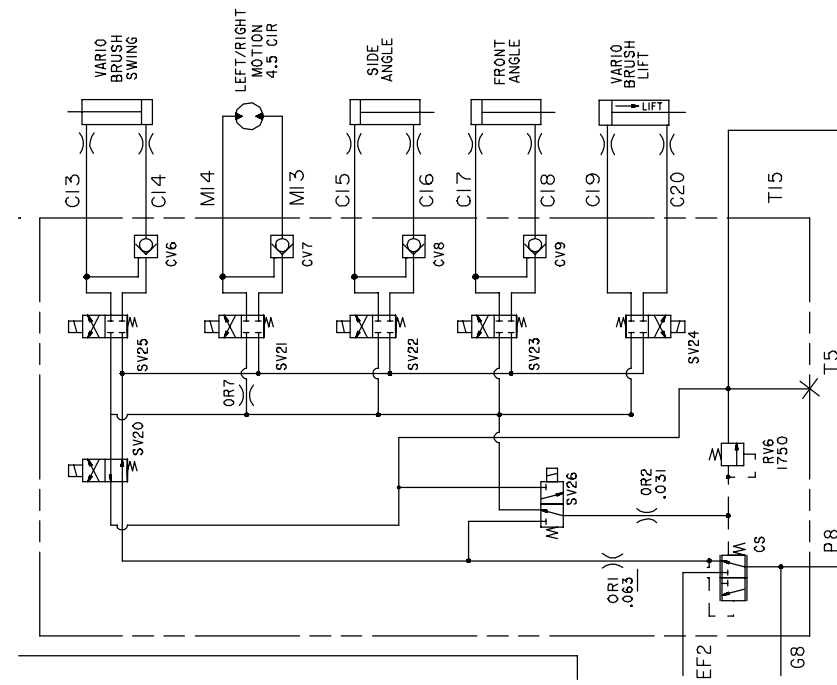


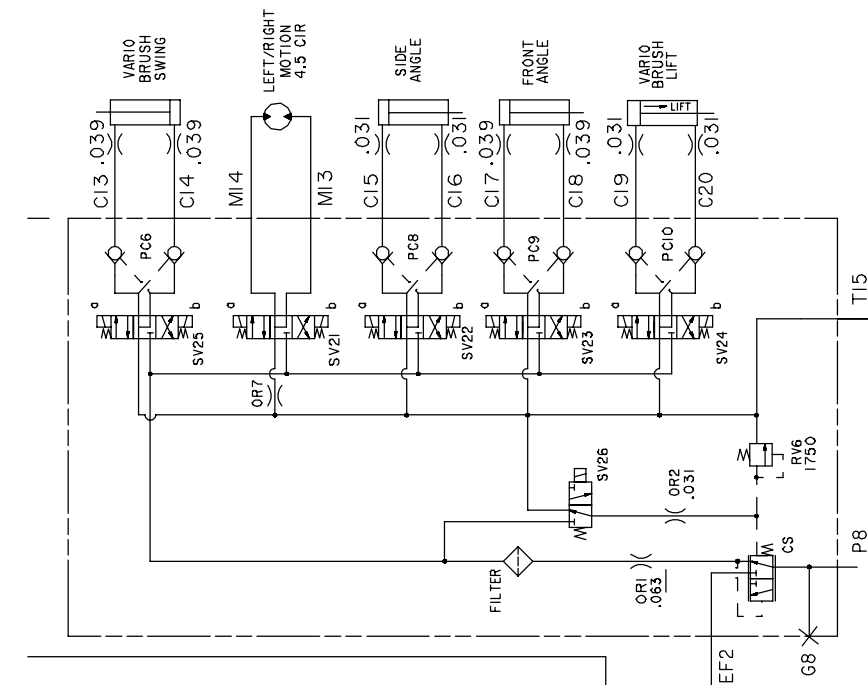
Fig. 46 - Hydraulic Schematic



VARIOBRUSH VALVE



VARIOBRUSH VALVE



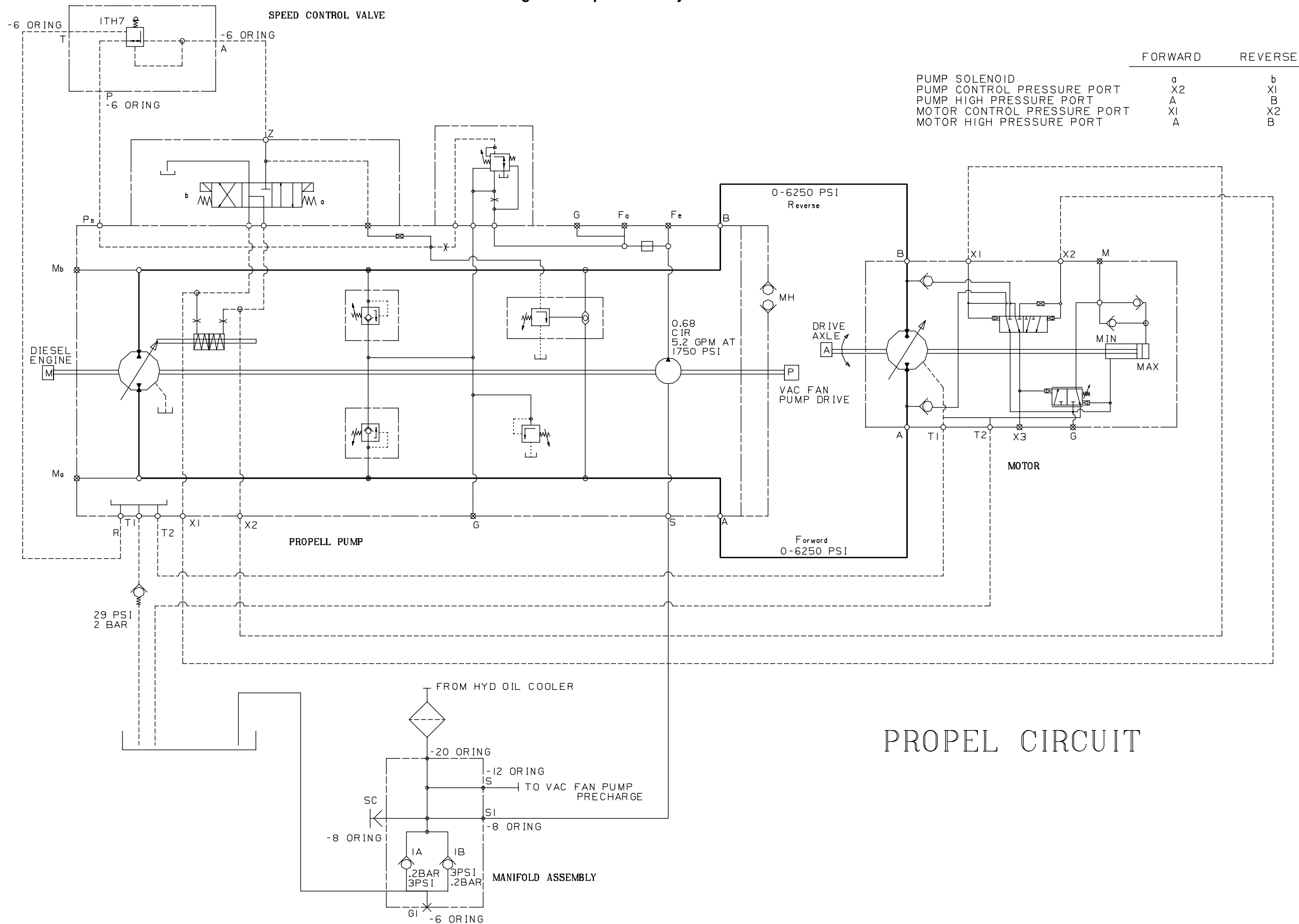
VARIOBRUSH VALVE

DETAIL A
SCHEMATIC OF VARIOBRUSH VALVE FOR
SERIAL NO.S 000000-003174

DETAIL B
SCHEMATIC OF VARIOBRUSH VALVE FOR
SERIAL NO.S 003175-XXXXXX

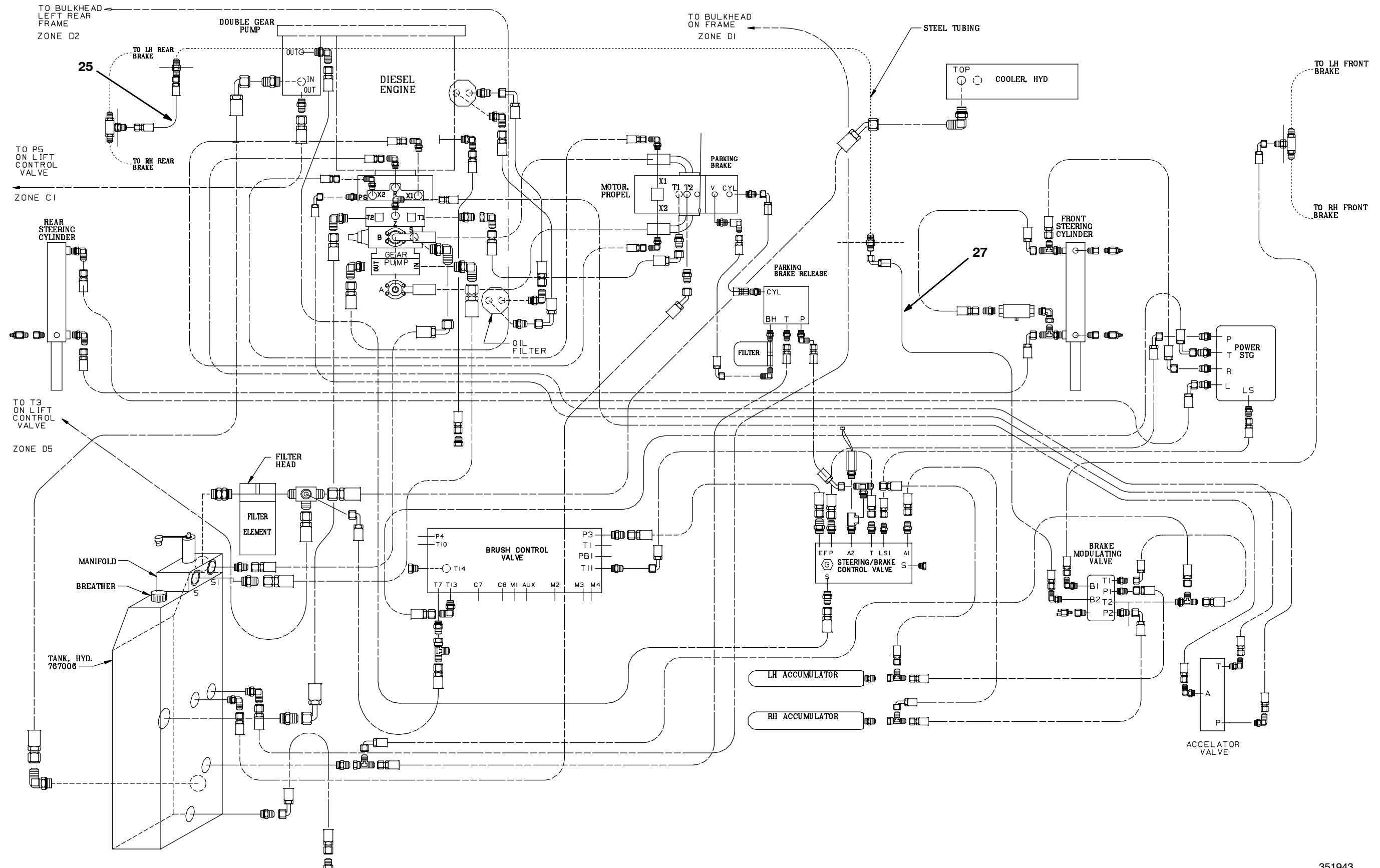
DETAIL C
SCHEMATIC OF VARIOBRUSH VALVE FOR
SERIAL NO.S XXXXXX-XXXXXX

Fig. 46 - Propel Circuit Hydraulic Schematic



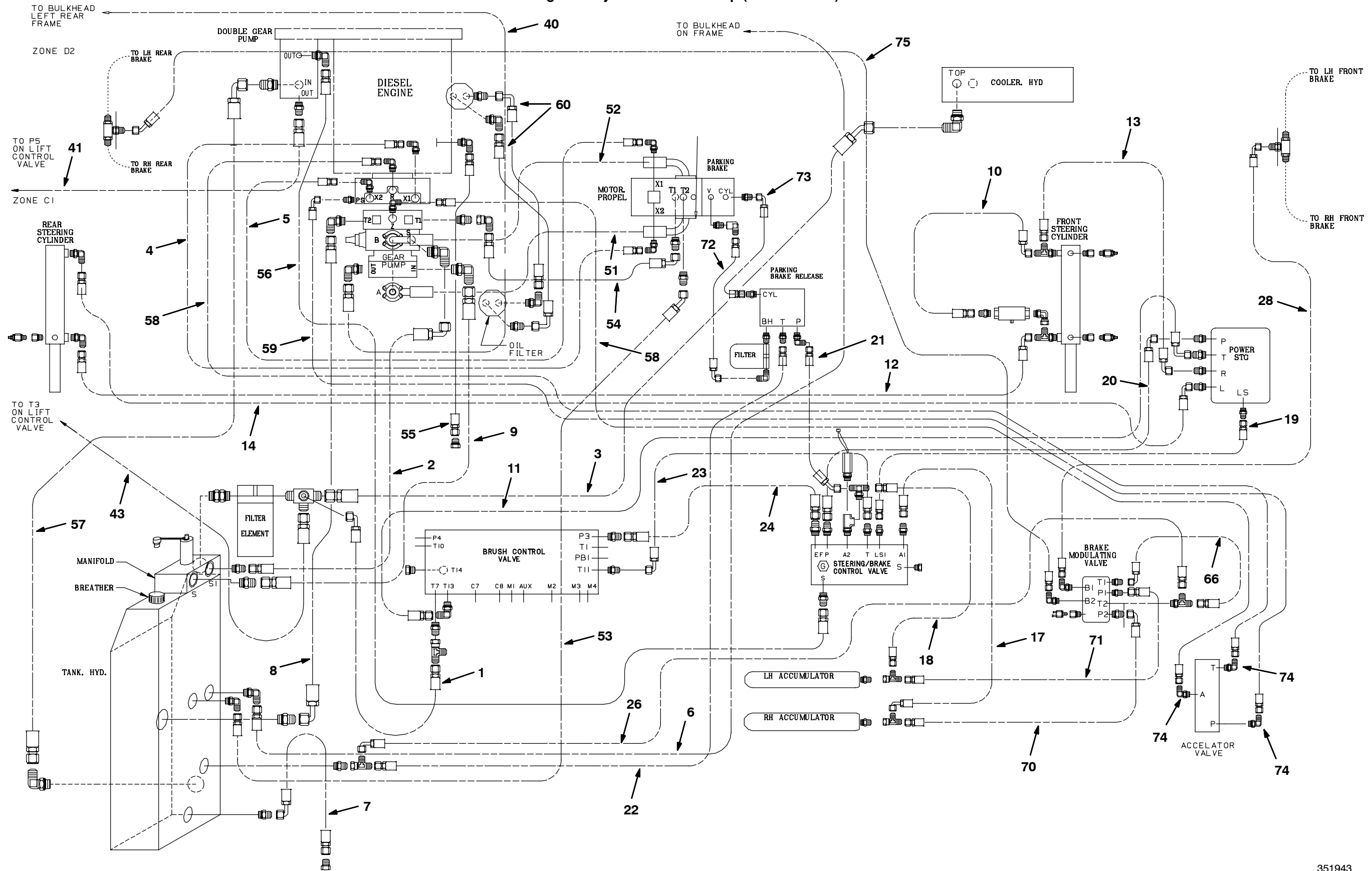
PROPEL CIRCUIT

Fig. 47 - Hydraulic Hose Group (000000-004521)



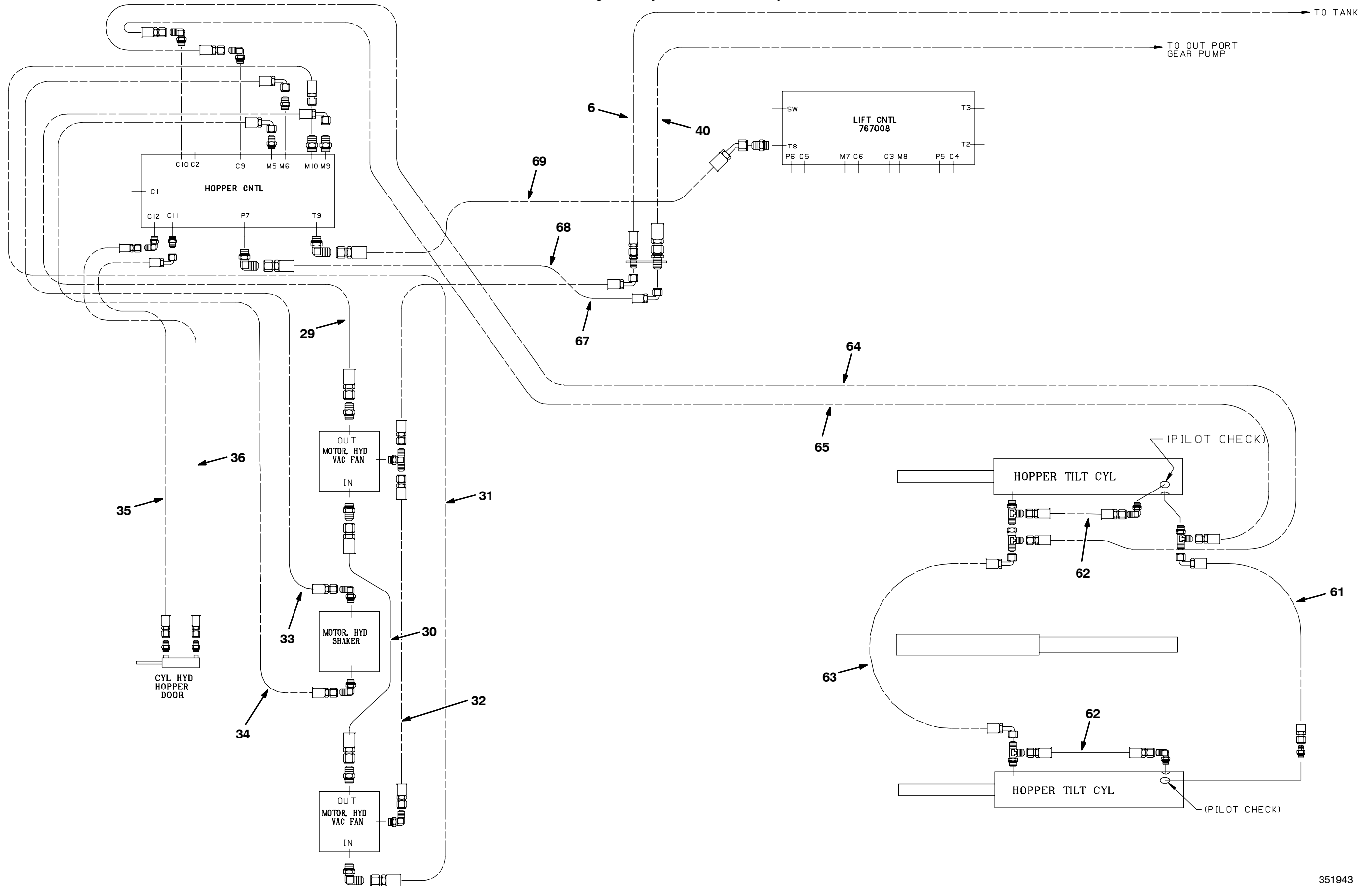
351943

Fig. 47 - Hydraulic Hose Group (004522-)



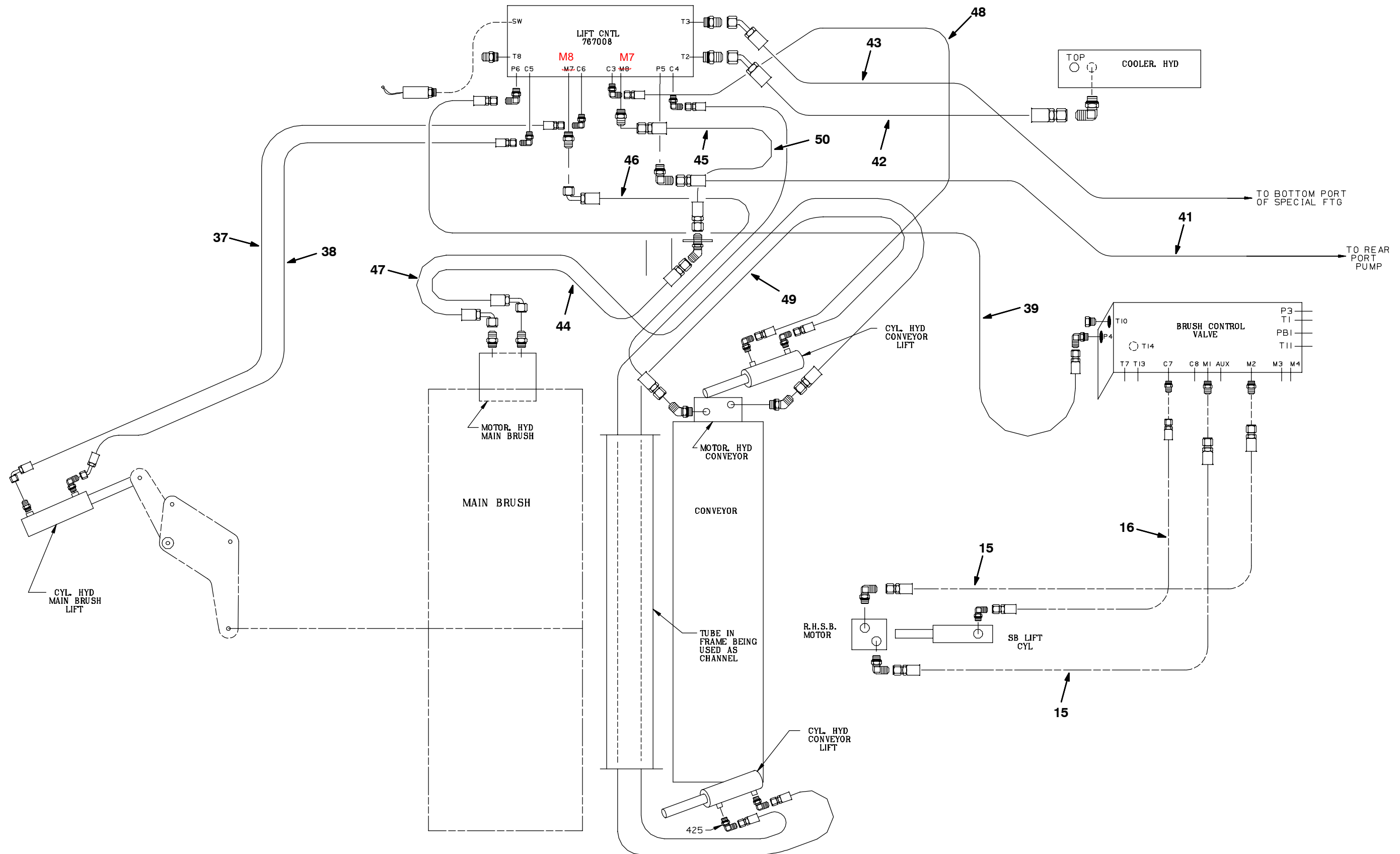
351943

Fig. 47 - Hydraulic Hose Group



351943

Fig. 47 - Hydraulic Hose Group



351943

Fig. 47 - Hydraulic Hose Group

Ref.	TENNANT Part No.	Machine Number	Serial	Description	Qty.
1	767222	(000000-)	Hose, Hyd	1
2	767243	(000000-)	Hose, Hyd	1
3	767280	(000000-)	Hose, Hyd	1
4	767308	(000000-)	Hose, Hyd	1
5	767309	(000000-)	Hose, Hyd	1
6	767313	(000000-)	Hose, Hyd	1
7	767315	(000000-)	Hose, Hyd	1
8	767324	(000000-)	Hose, Hyd	1
9	767328	(000000-)	Hose, Hyd	1
10	762399	(000000-)	Hose, Hyd	1
11	767223	(000000-)	Hose, Hyd	1
12	767239	(000000-)	Hose, Hyd	1
13	767241	(000000-)	Hose, Hyd	1
14	767242	(000000-)	Hose, Hyd	1
15	767249	(000000-)	Hose, Hyd	2
16	767251	(000000-)	Hose, Hyd	1
17	767252	(000000-)	Hose, Hyd	1
18	767254	(000000-)	Hose, Hyd	1
19	767256	(000000-)	Hose, Hyd	1
20	767257	(000000-)	Hose, Hyd	1
21	767258	(000000-)	Hose, Hyd	1
22	767259	(000000-)	Hose, Hyd	1
23	767305	(000000-)	Hose, Hyd	1
24	767307	(000000-)	Hose, Hyd	1
25	767316	(000000-004521)	Hose, Hyd	1
26	767415	(000000-)	Hose, Hyd	1
27	767416	(000000-004521)	Hose, Hyd	1
28	767417	(000000-)	Hose, Hyd	1
29	767230	(000000-)	Hose, Hyd	1
30	767231	(000000-)	Hose, Hyd	1
31	767232	(000000-)	Hose, Hyd	1
32	767234	(000000-)	Hose, Hyd	1
33	767235	(000000-)	Hose, Hyd	1
34	767236	(000000-)	Hose, Hyd	1
35	767237	(000000-)	Hose, Hyd	1
36	767238	(000000-)	Hose, Hyd	1
37	767244	(000000-)	Hose, Hyd	1
38	767245	(000000-)	Hose, Hyd	1
39	767260	(000000-)	Hose, Hyd	1
40	767266	(000000-)	Hose, Hyd	1
41	767267	(000000-)	Hose, Hyd	1
42	767268	(000000-)	Hose, Hyd	1
43	767270	(000000-)	Hose, Hyd	1
44	767282	(000000-)	Hose, Hyd	1
45	767283	(000000-)	Hose, Hyd	1
46	767284	(000000-)	Hose, Hyd	1
47	767285	(000000-)	Hose, Hyd	1
48	767286	(000000-)	Hose, Hyd	1
49	767287	(000000-)	Hose, Hyd	1
50	767288	(000000-)	Hose, Hyd	1

Fig. 47 - Hydraulic Hose Group

Ref.	TENNANT Part No.	Machine Number	Serial	Description	Qty.
51	767261	(000000-)	Hose, Hyd	1
52	767262	(000000-)	Hose, Hyd	1
53	767264	(000000-)	Hose, Hyd	1
54	767265	(000000-)	Hose, Hyd	1
55	762409	(000000-)	Hose, Hyd	1
56	767269	(000000-)	Hose, Hyd	1
57	767306	(000000-)	Hose, Hyd	1
58	767311	(000000-)	Hose, Hyd	2
59	767312	(000000-)	Hose, Hyd	1
60	767314	(000000-)	Hose, Hyd	2
61	762335	(000000-)	Hose, Hyd	1
62	762349	(000000-)	Hose, Hyd	2
63	762350	(000000-)	Hose, Hyd	1
64	767224	(000000-)	Hose, Hyd	1
65	767225	(000000-)	Hose, Hyd	1
66	767418	(000000-)	Hose, Hyd	1
67	767290	(000000-)	Hose, Hyd	1
68	767333	(000000-)	Hose, Hyd	1
69	767334	(000000-)	Hose, Hyd	1
70	767253	(000000-)	Hose, Hyd	1
71	767255	(000000-)	Hose, Hyd	1
72	768881	(000000-)	Hose, Hyd	1
73	768882	(000000-)	Hose, Hyd	1
74	762425	(000000-)	Fitting, Hyd	3
75	770002	(004522-)	Hose, Hyd	1

Fig. 48 - Hydraulic Reservoir Group

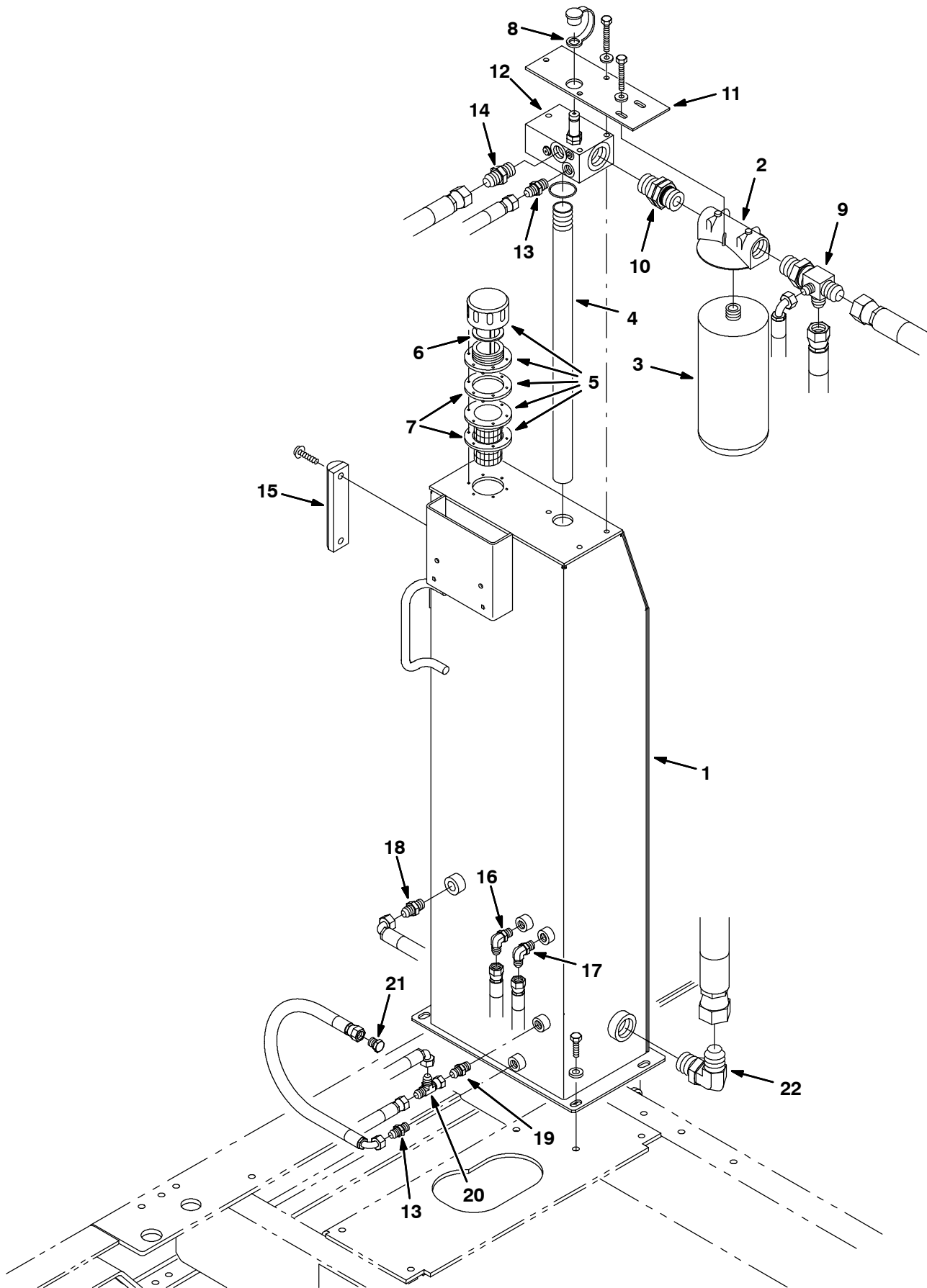


Fig. 48 - Hydraulic Reservoir Group

Ref.	TENNANT Part No.	Machine Number	Serial	Description	Qty.
	1	767006	(000000-) Tank, Hyd Oil	1
▽	2	767012	(000000-) Filter, Head	1
▲	3	767013	(000000-) Filter Element,Hyd.Spin On	1
	4	767011	(000000-) Nipple,Pipe	1
▽	5	767019	(000000-) Hyd Filler Breather Assembly	1
▲	6	70006	(000000-) Gasket, Hyd Cap	1
▲	7	61288	(000000-) Gasket, Hyd Tank Breather	2
	8	767248	(000000-) Cap. Quick Disconnect	1
	9	767271	(000000-) Ftg-Special	1
	10	767272	(000000-) Fitting, Hyd	1
	11	767275	(000000-) Plate, Filter Mount	1
	12	767273	(000000-) Manifold Block, Filter	1
	13	762445	(000000-) Fitting, Hyd	2
	14	79868	(000000-) Fitting, Hyd	1
	15	762075	(000000-) Gauge, Sight	1
	16	762437	(000000-) Fitting, Hyd	1
	17	762446	(000000-) Fitting, Hyd	1
	18	762105	(000000-) Valve, Check, Vonberg	1
	19	762438	(000000-) Fitting, Hyd	1
	20	762435	(000000-) Fitting, Hyd	1
	21	762448	(000000-) Fitting, Hyd	1
	22	762484	(000000-) Fitting-Hyd	1

Fig. 49 - Hydraulic Pumps Group

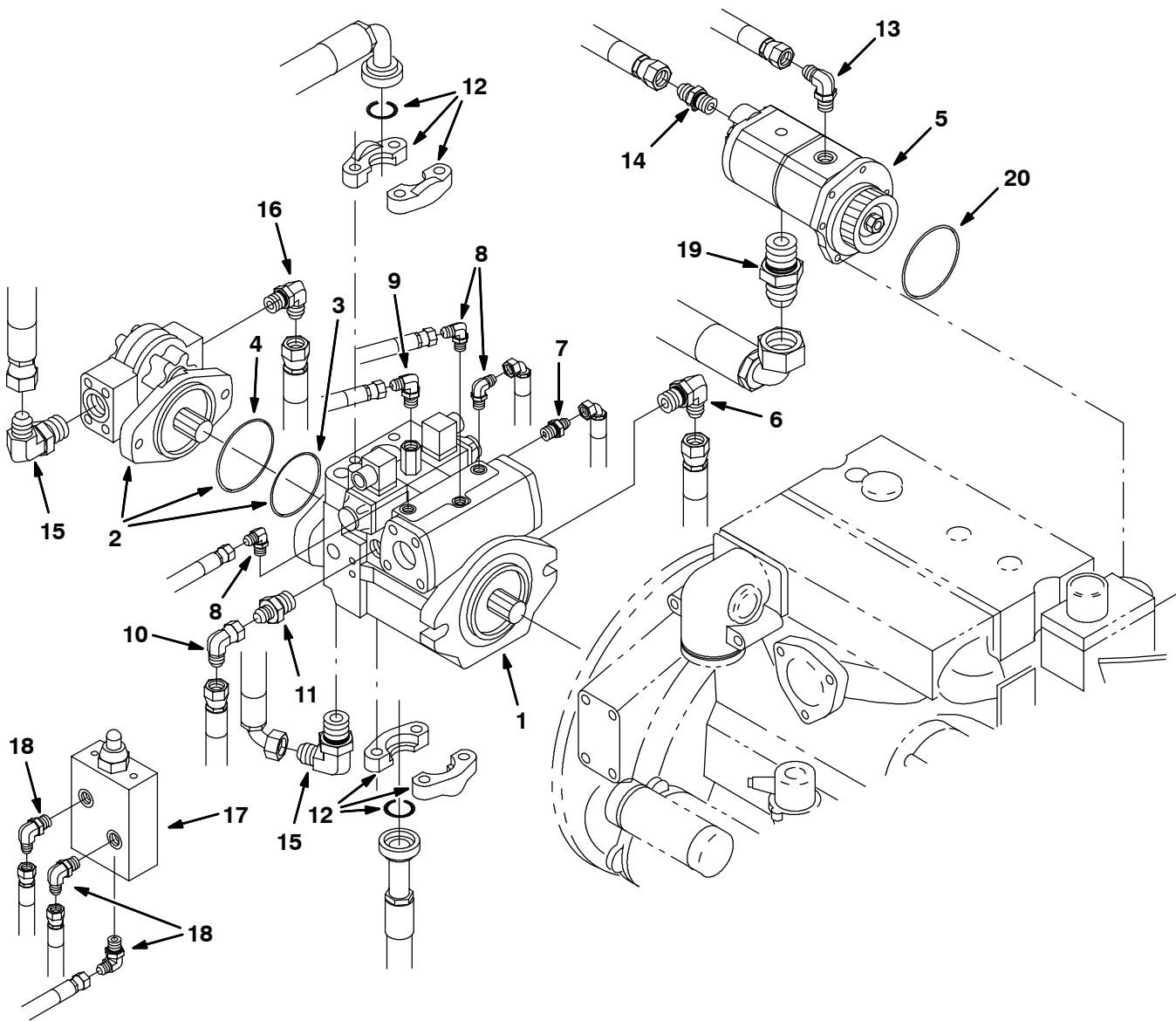


Fig. 49 - Hydraulic Pumps Group

Ref.	TENNANT Part No.	Machine Number	Serial	Description	Qty.
1	767200	(000000-)	Pump, Piston (See Breakdowns)	1
▽	769006	(000000-)	Repl. Kit, Pump, Hyd Gear	1
▲	2 762024	(000000-)	Pump, Hyd Gear 1.76 Cid (See Breakdowns)	1
▲	3 769004	(000000-)	O-Ring	1
▲	4 769005	(000000-)	O-Ring	1
▽	5 767005	(000000-)	Pump, Hyd Double Gear	1
	6 762469	(000000-)	Ftg-Hyd, Str	1
	7 762433	(000000-)	Ftg-Hyd, Str	1
	8 762427	(000000-)	Ftg-Hyd, E90	2
	9 762425	(000000-)	Ftg_Hyd, E90	1
	10 762288	(000000-)	Ftg-Hyd, E90	1
	11 762457	(000000-)	Ftg-Hyd, Str	3
	12 762487	(000000-)	Ftg-Hyd Sae Flange	2
	13 762446	(000000-)	Ftg-Hyd, E90	1
	14 762463	(000000-)	Ftg-Hyd, Str	1
	15 767407	(000000-)	Ftg-Hyd, E90	2
	16 762464	(000000-)	Ftg-Hyd, E90	1
▽	17 762103	(000000-)	Valve, Speed Control	1
▲	371748	(000000-)	Kit, Seal	1
	18 762425	(000000-)	Ftg-Hyd, E90	3
	19 762489	(000000-)	Ftg-Hyd, Str	1
	20 767014	(000000-)	O-Ring	2

▲ 1035508 Seal kit 1

Fig. 50 - Hydraulic Conveyor Lift Control Valve Group

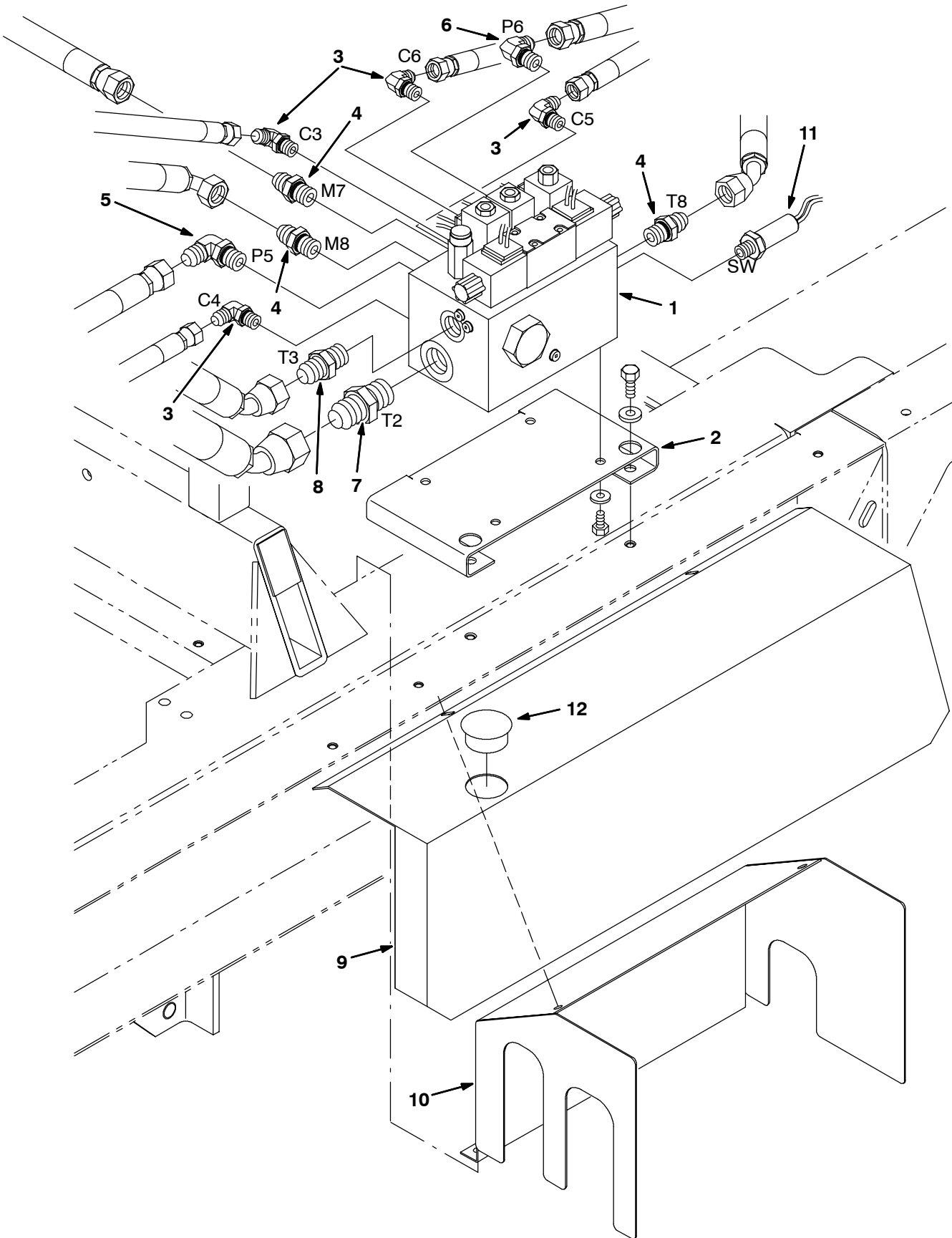


Fig. 50 - Hydraulic Conveyor Lift Control Valve Group

Ref.	TENNANT Part No.	Machine Number	Serial	Description	Qty.
1	767008	(000000-)	Valve, Hyd Control Sol (See Breakdowns)	1
2	767027	(000000-)	Bracket, Hyd Valve Mtg	1
3	762425	(000000-)	Fitting, Hyd	4
4	762463	(000000-)	Fitting, Hyd	3
5	762464	(000000-)	Fitting, Hyd	1
6	762437	(000000-)	Fitting, Hyd	1
7	762481	(000000-)	Fitting, Hyd	1
8	79868	(000000-)	Fitting, Hyd	1
9	767033	(000000-)	Cover, Valve, Outer	1
10	767040	(000000-)	Cover Wldt, Valve, Inner	1
11	769077	(000000-)	Switch Assembly, Pressure, Hyd	1
12	768471	(000000-)	Button, Plug	1

Fig. 51 - Hydraulic Hopper Control Valve Group

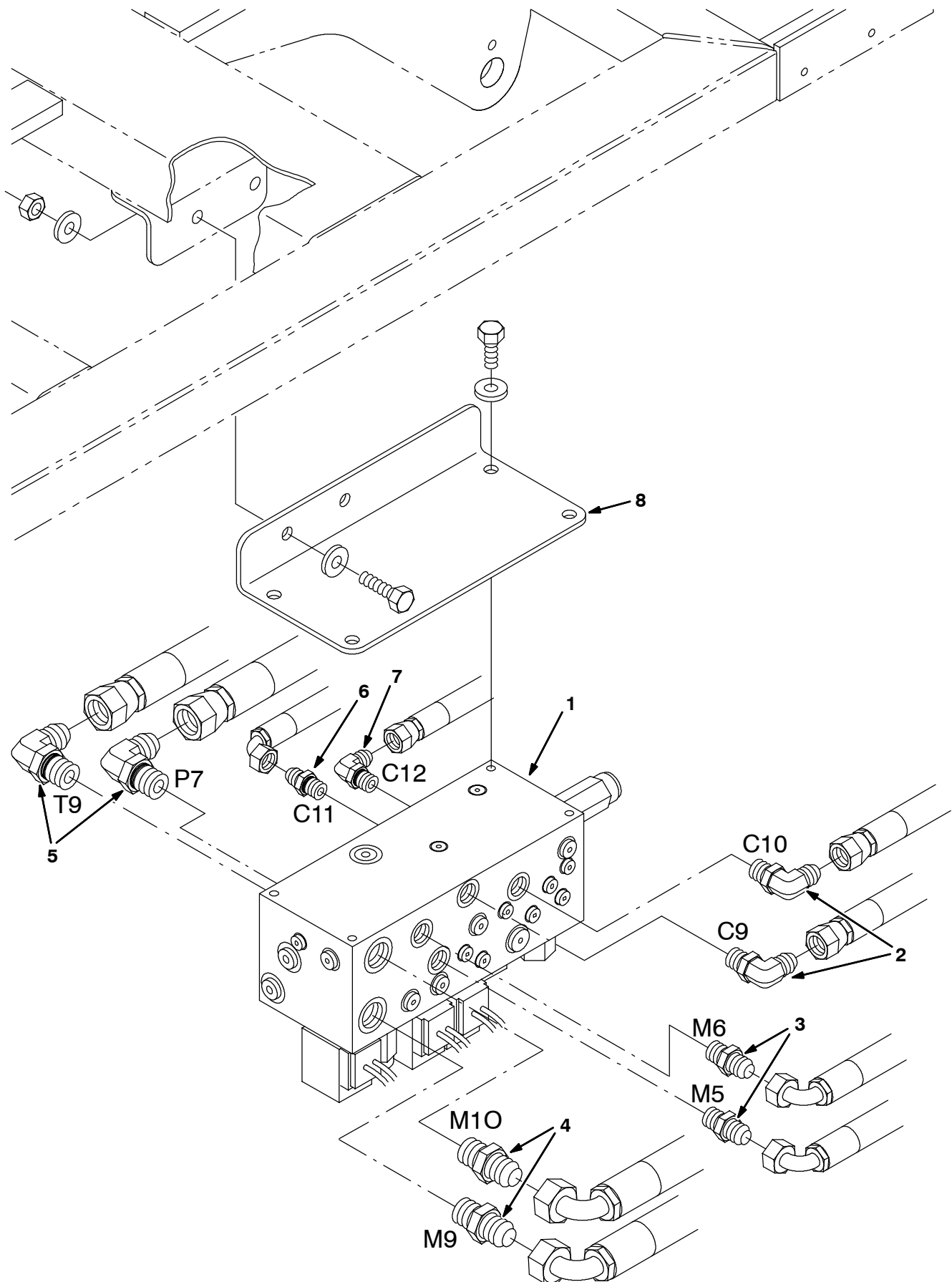


Fig. 51 - Hydraulic Hopper Control Valve Group

Ref.	TENNANT Part No.	Machine Number	Serial	Description	Qty.
1	767007	(000000-004332)	Valve, Hyd Control Sol-Hopper (See Breakdowns)	1
1	768899	(004333-)	Valve, Hyd Control Sol-Hopper (See Breakdowns)	1
2	762432	(000000-)	Fitting, Hyd	2
3	762433	(000000-)	Fitting, Hyd	2
4	762463	(000000-)	Fitting, Hyd	2
5	762464	(000000-)	Fitting, Hyd	2
6	762428	(000000-)	Fitting-Hyd, Str	1
7	762427	(000000-)	Fitting, Hyd, Elbow	1
8	767026	(000000-)	Angle, Hyd Valve Mount	1

Fig. 52 - Hydraulic Brush Control Valve Group

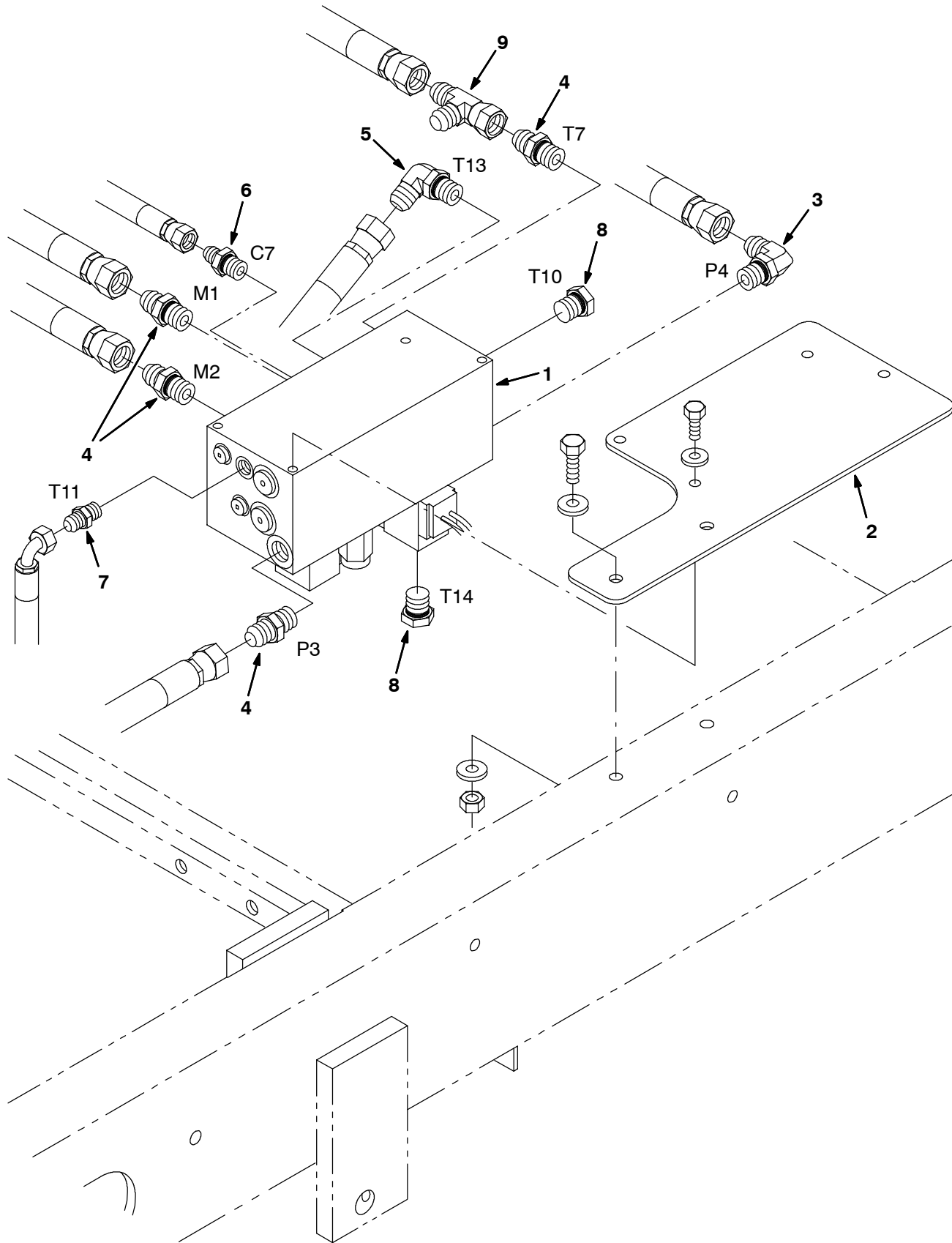


Fig. 52 - Hydraulic Brush Control Valve Group

Ref.	TENNANT Part No.	Machine Number	Serial	Description	Qty.
1	767220	(000000-)	Valve, Hyd Control Sol-Sb (See Breakdowns)	1
2	767030	(000000-)	Plate, Hyd Valve Mount	1
3	762437	(000000-)	Fitting, Hyd	1
4	762445	(000000-)	Fitting, Hyd	4
5	762446	(000000-)	Fitting, Hyd	1
6	762426	(000000-)	Fitting, Hyd, Str	1
7	762428	(000000-)	Fitting-Hyd, Str	1
8	762494	(000000-)	Fitting, Hyd, Plug	2
9	762447	(000000-)	Fitting, Hyd	1

Fig. 53 - Hydraulic Steering and Brake Valve Group

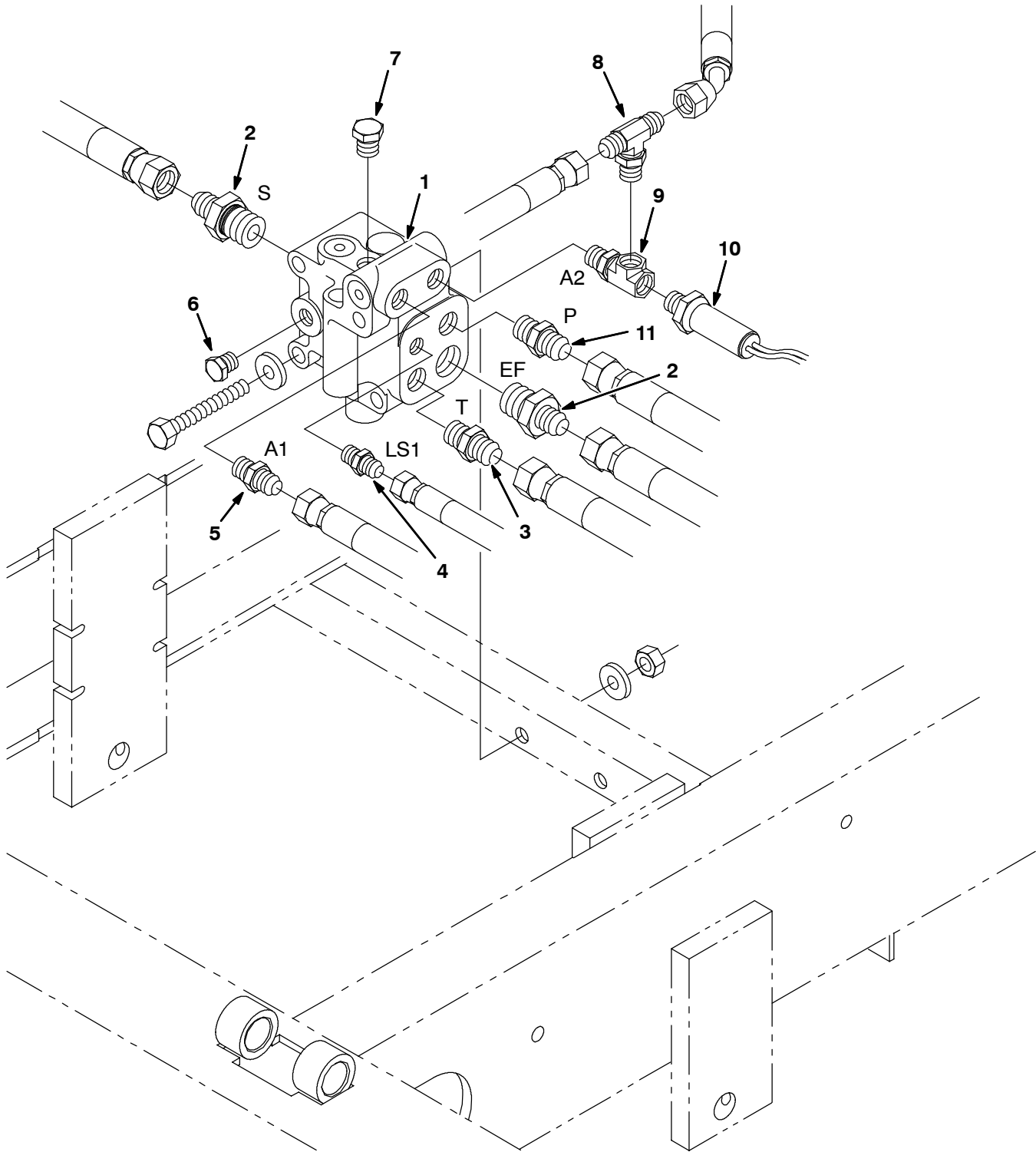


Fig. 53 - Hydraulic Steering and Brake Valve Group

Ref.	TENNANT Part No.	Machine Number	Serial	Description	Qty.
1	767221	(000000-)	Valve, Steering Dual Accumulator	1
2	762457	(000000-)	Fitting, Hyd	2
3	762438	(000000-)	Fitting, Hyd	1
4	762428	(000000-)	Fitting-Hyd, Str	1
5	762433	(000000-)	Fitting, Hyd	1
6	33812	(000000-)	Fitting, Hyd, Plug	1
7	46482	(000000-)	Fitting, Hyd, Plug	1
8	762436	(000000-)	Fitting, Hyd	1
9	767424	(000000-)	Fitting, Hyd	1
10	769078	(000000-)	Switch Assembly, Pressure, Hyd	1
11	762445	(000000-)	Fitting, Hyd	1

Fig. 54 - Water Spray Group

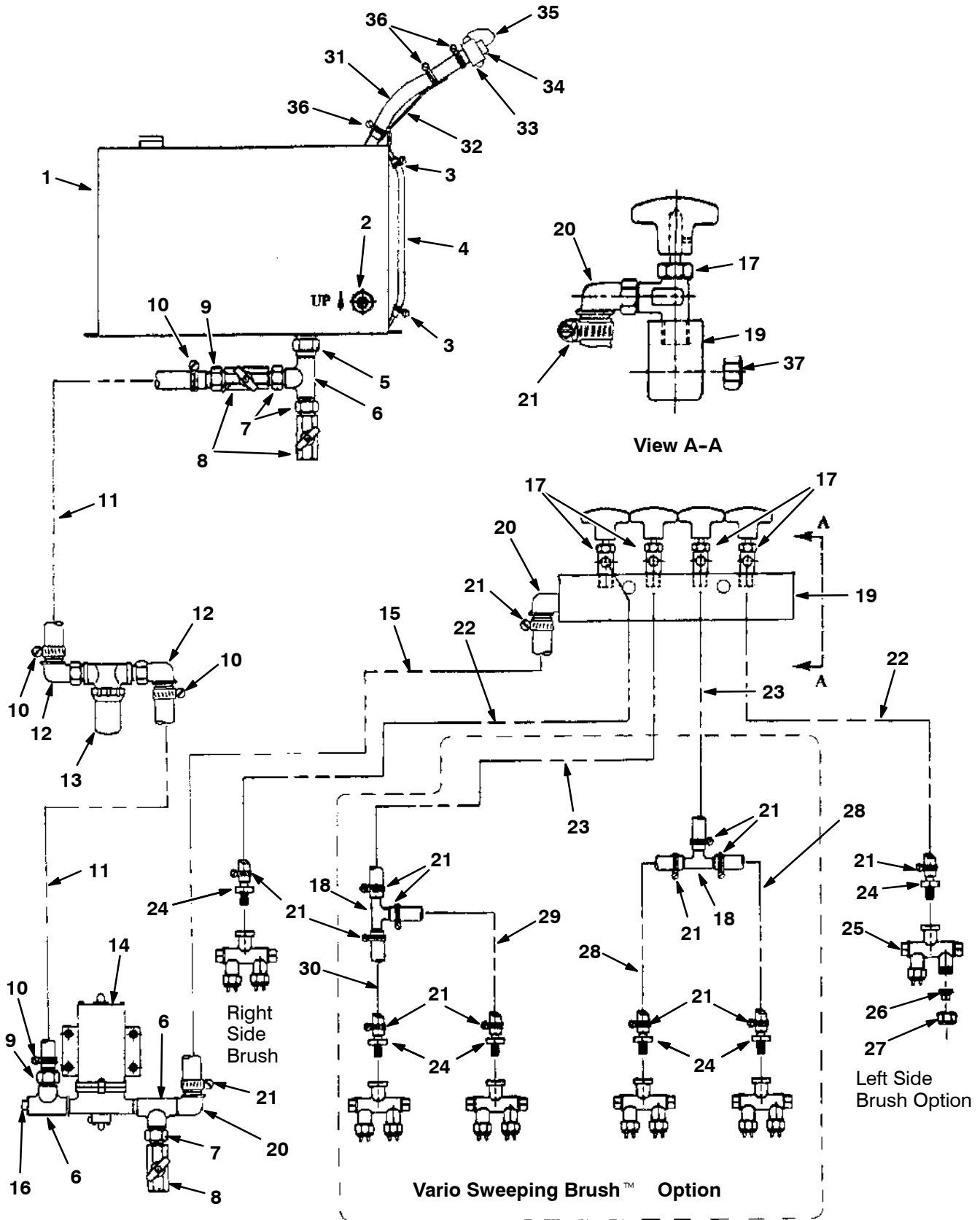


Fig. 54 - Water Spray Group

Ref.	TENNANT Part No.	Machine Number	Serial	Description	Qty.	
1	768301	(000000-)	Water Tank	1	
2	57145	(000000-)	Switch, Level Sensor	1	
3	43844	(000000-)	Clamp-Wormdrive, 0.25- 0.62D	2	
4	762204	(000000-)	Indicator, Sight Tube	1	
5	762225	(000000-)	Ftg-Hyd Str	1	
6	762212	(000000-)	Tee, .50Fx.50Fx.50F	2	
7	762233	(000000-)	Nipple, .50Mx.50M	3	
8	762228	(000000-)	Valve, Vac Wand Spray .50F	3	
9	762214	(000000-)	Nipple, .50M X .75B	1	
10	11399	(000000-)	Clamp-Wormdrive, 0.81- 1.50D	4	
11	762213	(000000-)	Hose,Water .75Inx7.0Ft	1	
12	40145	(000000-)	Ftg,Plstc,Elb,Barb.50Pt-.75Hse	2	
13	762209	(000000-)	Filter, 50 Mesh Filter Assy, Water, 50 Mesh	1	
▽	14	761828	(000000-)	Pump, Water 12V (With Connectors)	1
▲		761832	(000000-)	Upper Housing	1
▲		761833	(000000-)	Bypass Vlv.Kit	1
▲		761834	(000000-)	Santoprene DiaphKit	1
15	762222	(000000-)	Hose,Water .50 in x 8.0 Ft	1	
16	17521	(000000-)	Ftg, Plug	1	
17	762217	(000000-)	Valve, Water Spray	4	
18	762219	(000000-)	Tee, .50Bx.50Bx.50B	2	
19	767205	(000000-)	Manifold, Water	1	
20	63244-1	(000000-)	Ftg,Plstc,Elb,Barb.50Pt-.50Hse	6	
21	54333	(000000-)	Clamp-Wormdrive, 0.31- 0.88D	18	
22	762259	(000000-)	Hose,Water .50 In x 10.0 Ft	2	
23	762223	(000000-)	Hose,Water .50 In x16.0 Ft	2	
24	762249	(000000-)	Ftg-Brs Str Bm08/Pm04	6	
25	762220	(000000-)	Tee, Water Spray	6	
26	762221	(000000-)	Nozzle, Water Spray	12	
27	762234	(000000-)	Cap, Spray Nozzle	12	
28	762224	(000000-)	Hose,Water .50Inx1.0Ft	2	
29	762246	(000000-)	Hose,Water .50Inx2.08Ft	1	
30	762245	(000000-)	Hose,Water .50Inx0.29Ft	1	
31	768324	(000000-)	Hose, Water	1	
32	768305	(000000-)	Bracket, Nozzle	1	
33	768320	(000000-)	Coupler, Cam	1	
34	768323	(000000-)	Plug, Dust, Cam Coupler	1	
35	57702	(000000-)	Cable	1	
36	22297	(000000-)	Clamp, Wormdrive	3	
37	768311	(000000-)	Nut Retainer M8	2	

Fig. 55 - Dry Dust Control Group

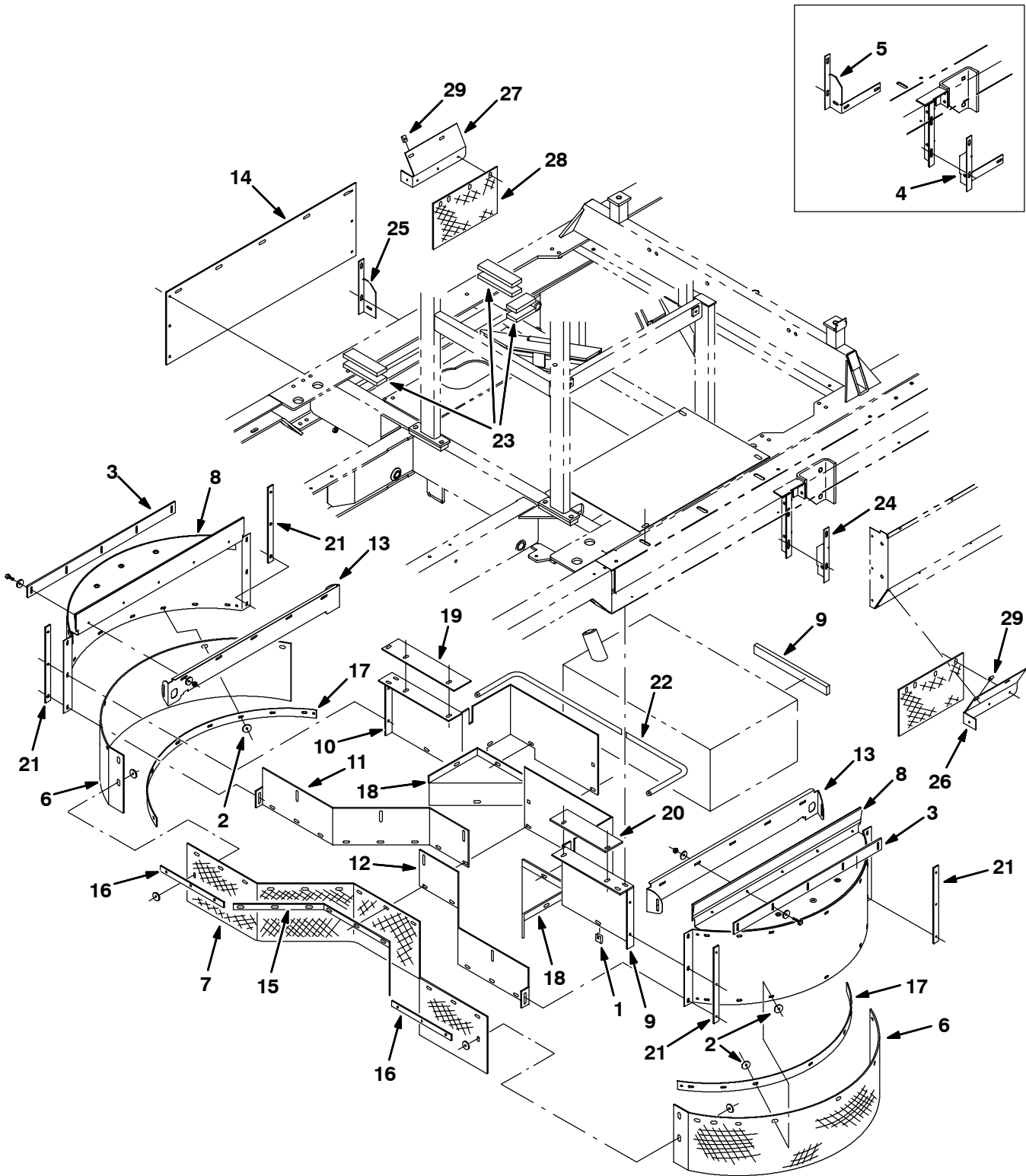
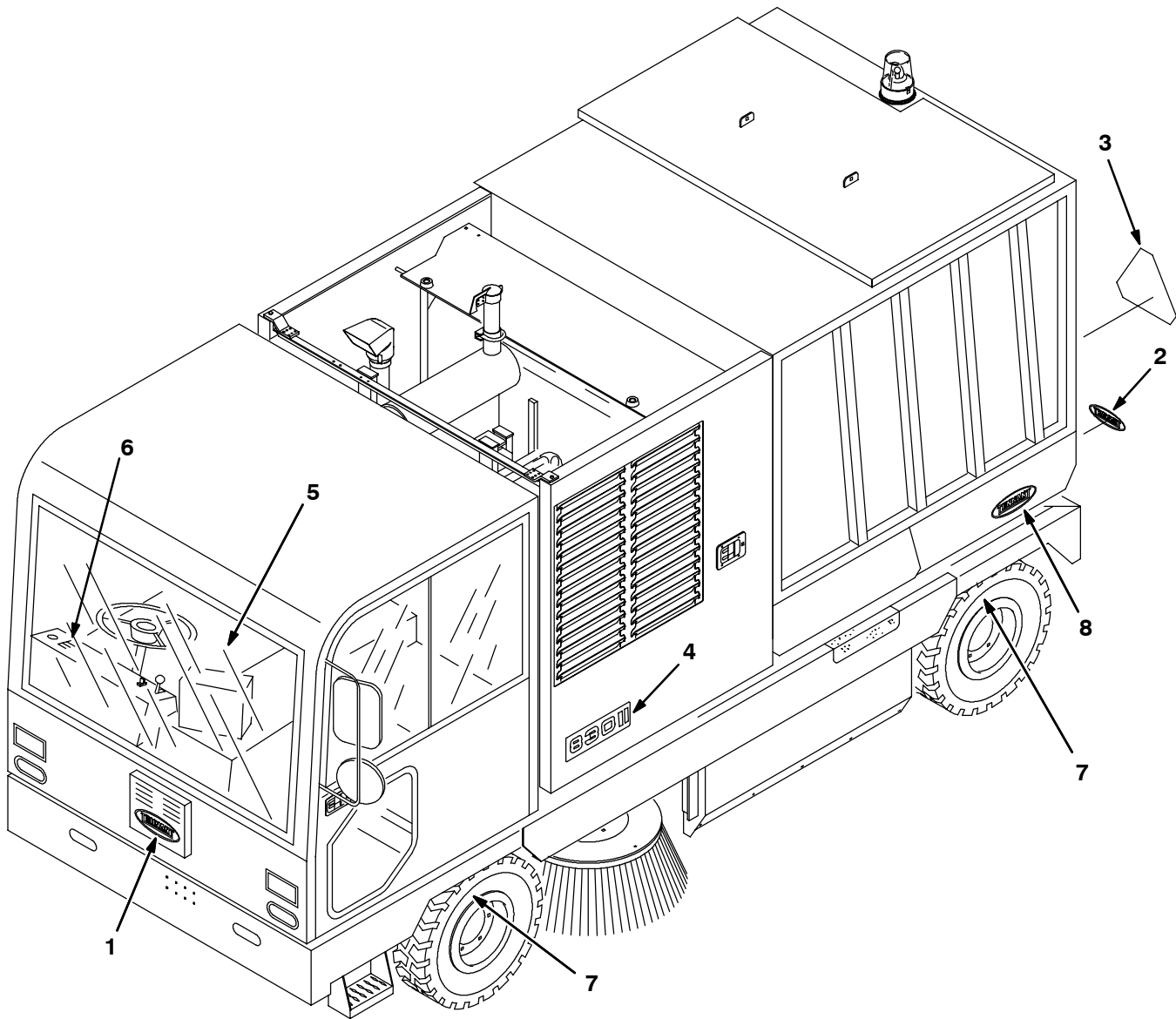


Fig. 55 - Dry Dust Control Group

Ref.	TENNANT Part No.	Machine Number	Serial	Description	Qty.
1	12271	(000000-)	Nut, U, M06-1.0	32
2	41178	(000000-)	Washer, Flat, .25 Fender	84
3	768091	(000000-)	Bar, Seal, Upper	2
4	768101	(000000-003099)	Kit, Brush Door, Lh	1
5	768102	(000000-003099)	Kit, Brush Door, Rh	1
6	764261	(000000-)	Skirt Kit, Side Brush	2
7	764260	(000000-)	Skirt Kit, Front Dust Control	1
8	768100	(000000-)	Shroud Assembly (Left Sidebrush Shroud Assy Optional)	2
9	764254	(000000-)	Panel	1
10	764253	(000000-)	Panel	1
11	764234	(000000-)	Panel	1
12	764235	(000000-)	Panel	1
13	769087	(000000-)	Arm, Seal, Upper	2
14	768096	(000000-)	Shroud, Side Modified (When no Sidebrush is used)	1
15	764238	(000000-)	Retainer	1
16	764263	(000000-)	Retainer, Front Ends SBDC	2
17	764240	(000000-)	Retainer	2
18	764241	(000000-)	Panel	2
19	764244	(000000-)	Bar, Support, Rh	1
20	764245	(000000-)	Bar, Support, Lh	1
21	764256	(000000-)	Retainer	4
22	760552	(000000-)	Seal, Str W/.75 Bubble 52"Lg	1
23	760532	(000000-)	Seal Kit, 15ft.	1
24	768103	(003100-)	Bracket, Skirt, Lh	1
25	768104	(003100-)	Bracket, Skirt, Rh	1
26	768038	(000000-)	Bracket, Dust Containment, Lh	1
27	768039	(000000-)	Bracket, Dust Containment, Rh	1
28	768089	(003100-)	Skirt, Dust Containment	2
29	58595	(003100-)	Nut, U, M08-1.25	4

Fig. 56 - Labels Group



351992 - NA

Ref.	TENNANT Part No.	Machine Number	Serial	Description	Qty.
1	09901	(000000-)	Label, Tennant Logo	1
2	17200	(000000-)	Label, Tennant Logo- 10.0 Blue	1
3	760980	(000000-)	Label, Slow Moving Vehicle	1
4	768815	(000000-)	Label, Numeral, 830-II	2
5	765960	(000000-)	Label, Set, Info & Hazard	1
6	768800	(000000-)	Label, Set, Operational	1
7	760984	(000000-)	Label, Bias Tire	4
7	760983	(000000-)	Label, Radial Tire	4
8	09905	(000000-)	Label, Tennant Logo	2

SECTION 3

Contents	Page	Contents	Page
Fig. 1 - High Dump Hopper Lift Group	3-2	Fig. 38 - Side Brush Spring Kit	3-64
Fig. 2 - High Dump Hopper Lift Cylinders Group	3-4	Fig. 39 - Side Brush Linkage Kit	3-65
Fig. 3 - Left Side Brush Group	3-6	Fig. 40 - Fourth Bar Linkage Kit	3-66
Fig. 4 - Right Hand Vario Sweeping Brush™ Arm Group	3-8	Fig. 41 - Documentation Group	3-67
Fig. 5 - Right Hand Vario Sweeping Brush™ Arm Group	3-10		
Fig. 6 - Right Hand Vario Sweeping Brush™ Dolly Group	3-12		
Fig. 7 - Right Hand Hydraulic Vario Brush Control Group	3-14		
Fig. 8 - Right Hand Hydraulic Vario Brush Control Group	3-16		
Fig. 9 - Left Hand Vario Sweeping Brush™ Arm Group	3-18		
Fig. 10 - Left Hand Vario Sweeping Brush™ Dolly Group	3-20		
Fig. 11 - Left Hand Hydraulic Vario Brush Control Group	3-22		
Fig. 12 - High Pressure Sprayer Wand Group ..	3-24		
Fig. 13 - High Pressure Sprayer Pump Group ..	3-26		
Fig. 14 - High Pressure Sprayer Hydraulic Hose Group	3-28		
Fig. 15 - High Dump Hopper Hydraulic Hose Group	3-30		
Fig. 16 - Vario Brush (000000-003174) and Left Hand Side Brush Hydraulic Hose Group	3-32		
Fig. 17 - Vario Brush Hydraulic Hose Group (003175-)	3-34		
Fig. 18 - L.H. Steering Hydraulic Hose Group ..	3-36		
Fig. 19 - Left Hand Operator Group	3-38		
Fig. 20 - Cab Air Conditioner Heater Group ...	3-40		
Fig. 21 - Vacuum Wand Group	3-42		
Fig. 22 - Vacuum Wand Extension Group	3-44		
Fig. 23 - Vacuum Wand Door Group	3-46		
Fig. 24 - Hopper Cleanout Tool Kit	3-48		
Fig. 25 - Foam Filled Tire Group	3-49		
Fig. 26 - Protectoseal Fuel Cap Group	3-50		
Fig. 27 - Rear Rubber Bumper Kit	3-51		
Fig. 28 - Fire Extinguisher Group	3-52		
Fig. 29 - Filter Bag Lift Kit	3-53		
Fig. 30 - Hydrant Wash Down Group	3-54		
Fig. 31 - Hydrant Hose Group	3-55		
Fig. 32 - Engine Access Step Kit	3-56		
Fig. 33 - Night Light Kit	3-57		
Fig. 34 - Cab Rotating Light Kit	3-58		
Fig. 35 - Brush Guard Kit	3-59		
Fig. 36 - Radio Tape Deck Kit	3-60		
Fig. 37 - Auto-Lube System Group	3-62		

Fig. 1 - High Dump Hopper Lift Group

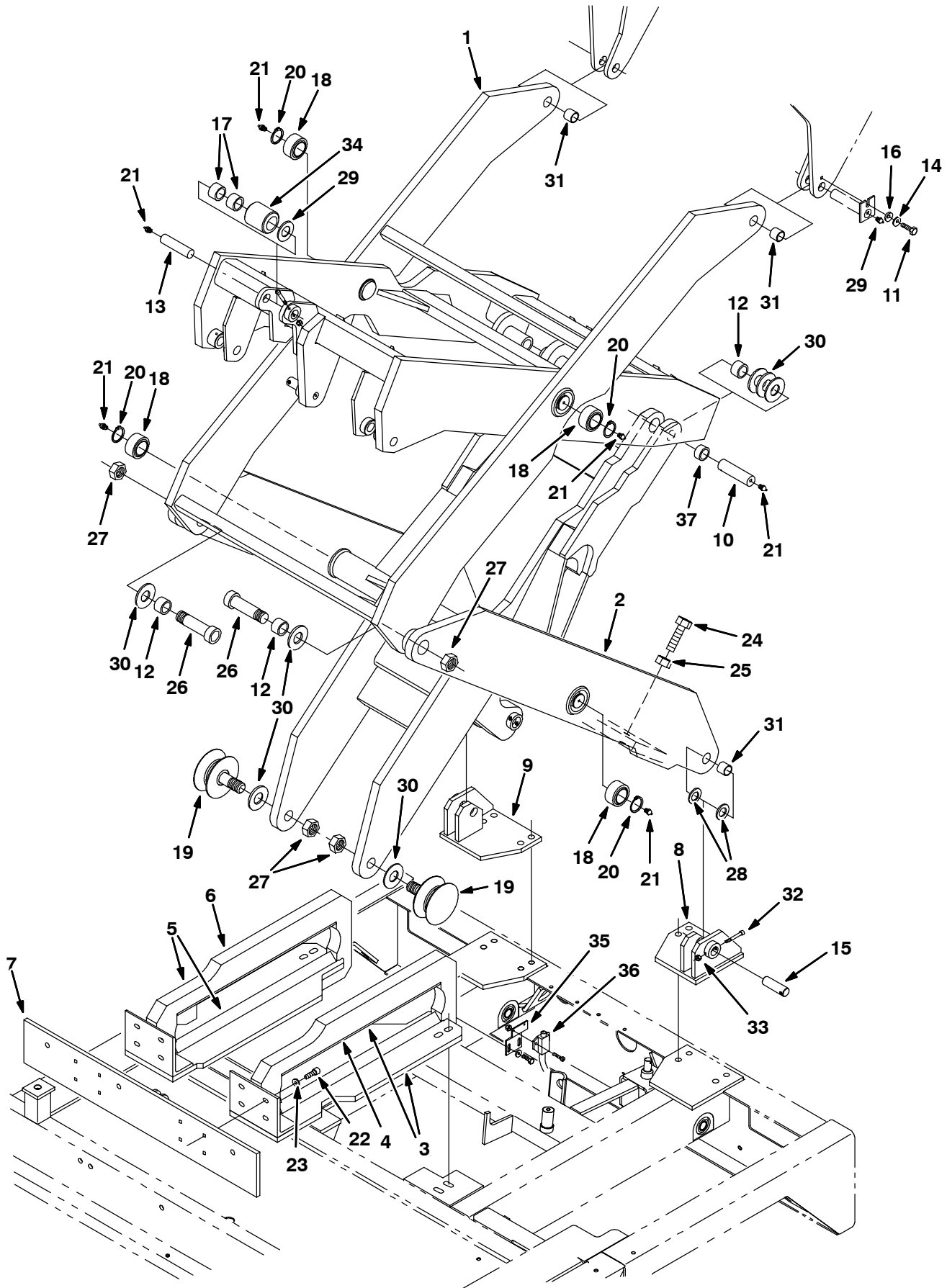


Fig. 1 - High Dump Hopper Lift Group

Ref.	TENNANT Part No.	Machine Number	Serial	Description	Qty.
	1	769547	(000000-) Leg Assy, Upper W/Label	1
	2	769548	(000000-) Leg Assy, Lower W/Label	1
▽	3	769503	(000000-) Guide,Cam Roller,Lh	1
▲	4	765435	(000000-) Guide,Cam Roller,Up	1
▽	5	769504	(000000-) Guide,Cam Roller,Rh	1
▲	6	765435	(000000-) Guide,Cam Roller,Up	1
	7	765465	(000000-) Pulley, Lift,Brush	1
	8	765620	(000000-) Mount,Frame,Rear Lh	1
	9	765621	(000000-) Mount,Frame,Rear Rh	1
▽		769509	(000000-) Pin Assy,Leg,Inside	2
▲	10	769510	(000000-) Pin, Leg, Inside	2
	11	06961	(000000-) Screw, Hex, M10 X 1.5 X 20, 8.8	2
	12	769522	(000000-) Bushing, Sleeve, 30mmb 40mmd 25mml, Bnz	4
▽		769511	(000000-) Pin Assy, Roller, Hpr	1
▲	13	769512	(000000-) Pin, Roller,Hopper	1
	14	32988	(000000-) Washer, Lock, Int, .38	1
▽		769513	(000000-) Pin Assy,Leg,Outsid	2
▲	15	769514	(000000-) Pin, Leg, Outside	2
	16	32492	(000000-) Washer, Flat, 0.38 Std	2
	17	769522	(000000-) Bushing	2
	18	769524	(000000-) Bearing, Spherical	4
	19	769528	(000000-) Follower, Cam	2
	20	769529	(000000-) Ring, Retaining	4
	21	769534	(000000-) Ftg, Nipple, Grease	6
	22	39283	(000000-) Screw, Hex, M10 X 1.5 X 25, 8.8	12
	23	763042	(000000-) Washer, Belleville, M10	12
	24	06992	(000000-) Screw, Hex, M20 X 2.5 X 50, 8.8	2
	25	763067	(000000-) Nut, Hex, Jam M20 X 2.5	2
	26	769541	(000000-) Screw	2
	27	769542	(000000-) Nut, Lock, Ny	4
	28	769554	(000000-) Washer	4
	29	47801	(000000-) Fitting, Grease, Str Pm04 .63l	2
	30	769545	(000000-) Washer, Flat	7
	31	769523	(000000-) Bushing, Sleeve	4
	32	09294	(000000-) Screw, Soc, M 8 X 1.25 X 60, 12.9	3
	33	08709	(000000-) Nut, Hex, Lock, M 8 X 1.25 NI	3
	34	769549	(000000-) Roller, Hopper	1
	35	768502	(000000-) Bracket	1
	36	762591	(000000-) Switch	1
	37	769563	(000000-) Bushing	2

Fig. 2 - High Dump Hopper Lift Cylinders Group

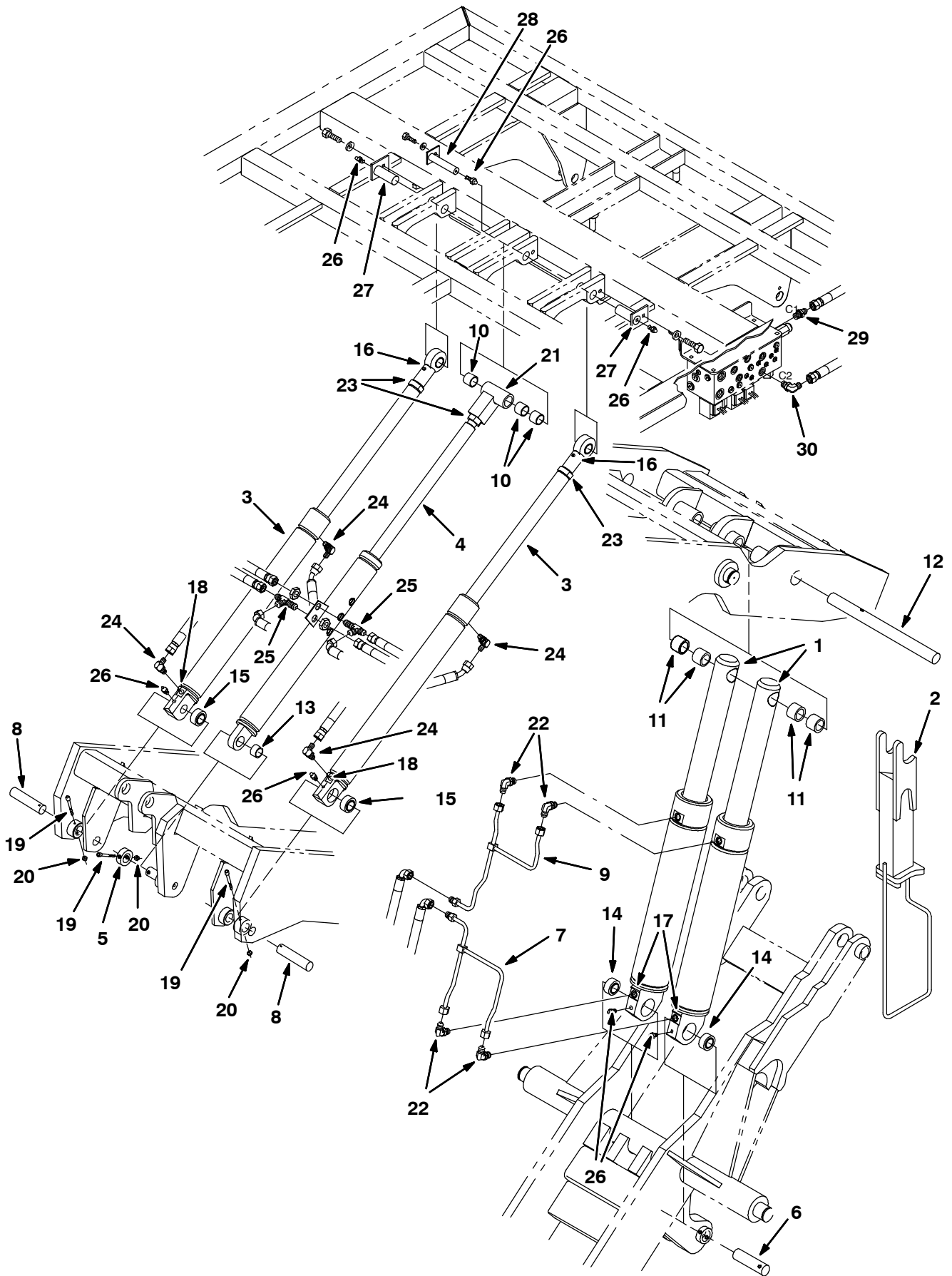


Fig. 2 - High Dump Hopper Lift Cylinders Group

Ref.	TENNANT Part No.	Machine Number	Serial	Description	Qty.
1	765410	(000000-)	Cylinder, Lift	2
2	765445	(000000-)	Support, Maintenance, Lift W/Label	1
3	765409	(000000-)	Cylinder, Tilt	2
4	765444	(000000-)	Tilt, Maintenance, Stand W/Label	1
5	769518	(000000-)	Ring, Lock	1
▽	769507	(000000-)	Pin Assy, Cyl,Lift	2
▲	6 769508	(000000-)	Pin, Cyl, Lift	2
	7 765491	(000000-)	Tube	1
▽	769515	(000000-)	Pin Assy, Cyl,Tilt	2
▲	8 769516	(000000-)	Pin, Cyl, Tilt	2
	9 765492	(000000-)	Tube	1
	10 769523	(000000-)	Bushing	3
	11 769522	(000000-)	Bushing	4
	12 769561	(000000-)	Pin, Rod Cyl, Lift	1
	13 769562	(000000-)	Bushing	1
	14 769525	(000000-)	Bearing, Spherical	2
	15 769526	(000000-)	Bearing, Spherical	2
	16 769527	(000000-)	Rod, End, Cyl,Tilt	2
	17 769530	(000000-)	Fuse, Velocity	2
	18 769531	(000000-)	Fuse, Velocity	2
	19 09294	(000000-)	Screw, Soc, M 8 X 1.25 X 60	6
	20 08709	(000000-)	Nut, Hex, Lock, M 8 X 1.25	6
	21 769558	(000000-)	Clevis Assy, Support	1
	22 762438	(000000-)	Fitting, Hyd	4
	23 769540	(000000-)	Nut, Jam	3
	24 762425	(000000-)	Fitting, Hyd	4
	25 762444	(000000-)	Fitting, Hyd	2
	26 47801	(000000-)	Fitting, Grease	7
	27 760682	(000000-)	Pin Wldt, Safety Leg, Lower	2
	28 760695	(000000-)	Pin	1
	29 762433	(000000-)	Fitting, Hyd	1
	30 762432	(000000-)	Fitting, Hyd	1

Fig. 3 - Left Side Brush Group

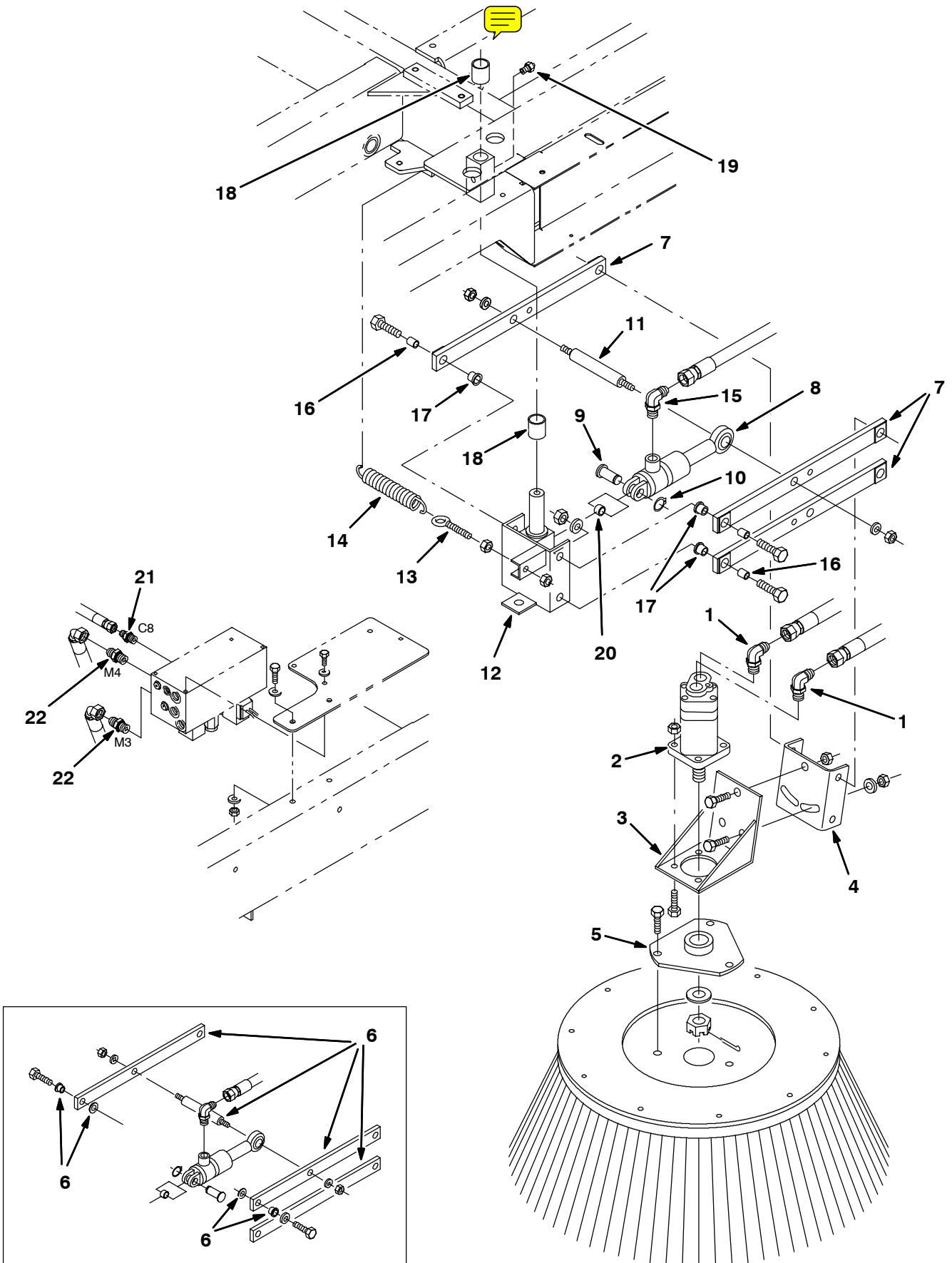


Fig. 3 - Left Side Brush Group

Ref.	TENNANT Part No.	Machine Number	Serial	Description	Qty.	
1	767411	(000000-)	Ftg-Hyd, E90	2	
2	762059	(000000-)	Motor, Hyd S Br W/End Ports (See Breakdowns)	1	
3	761209	(000000-)	Bracket,Hyd.Motor Support	1	
4	768834	(000000-)	Channel Weldt,Lower Support	1	
5	761428	(000000-)	Hub Weldt,Side Brush	1	
6	767642	(000000-004077)	Replacement Kit, Side Brush Linkage	1	
7	768836	(004078-)	Bar, Wldt. Brush Support	3	
▽	8	762043	(000000-)	Cylinder, Hyd S Br Lift	1
▲		762073	(000000-)	Kit, Seal, Cyl, Hyd	1
9	761229	(000000-)	Pin,Hyd.Cylinder	1	
10	763005	(000000-)	Retaining Ring, M16	1	
11	767644	(004078-)	Shaft, Side Brush	1	
12	768852	(000000-)	Bracket Wldt,Side Brush Lh	1	
13	761225	(000000-)	Eyebolt, .50-13X3.5"	1	
14	761223	(000000-)	Spring	1	
15	762425	(000000-)	Ftg-Hyd, E90	1	
16	768842	(004078-)	Tube	6	
17	767641	(004078-)	Bearing, Flange	6	
18	763003	(000000-)	Bearing,	2	
19	47801	(000000-)	Ftg, Grease.25-28Th Strt .63L	1	
20	763007	(000000-)	Bearing	1	
21	762426	(000000-)	Ftg-Hyd, str	1	
22	762445	(000000-)	Ftg-Hyd, str	2	

Fig. 4 - Right Hand Vario Sweeping Brush™ Arm Group

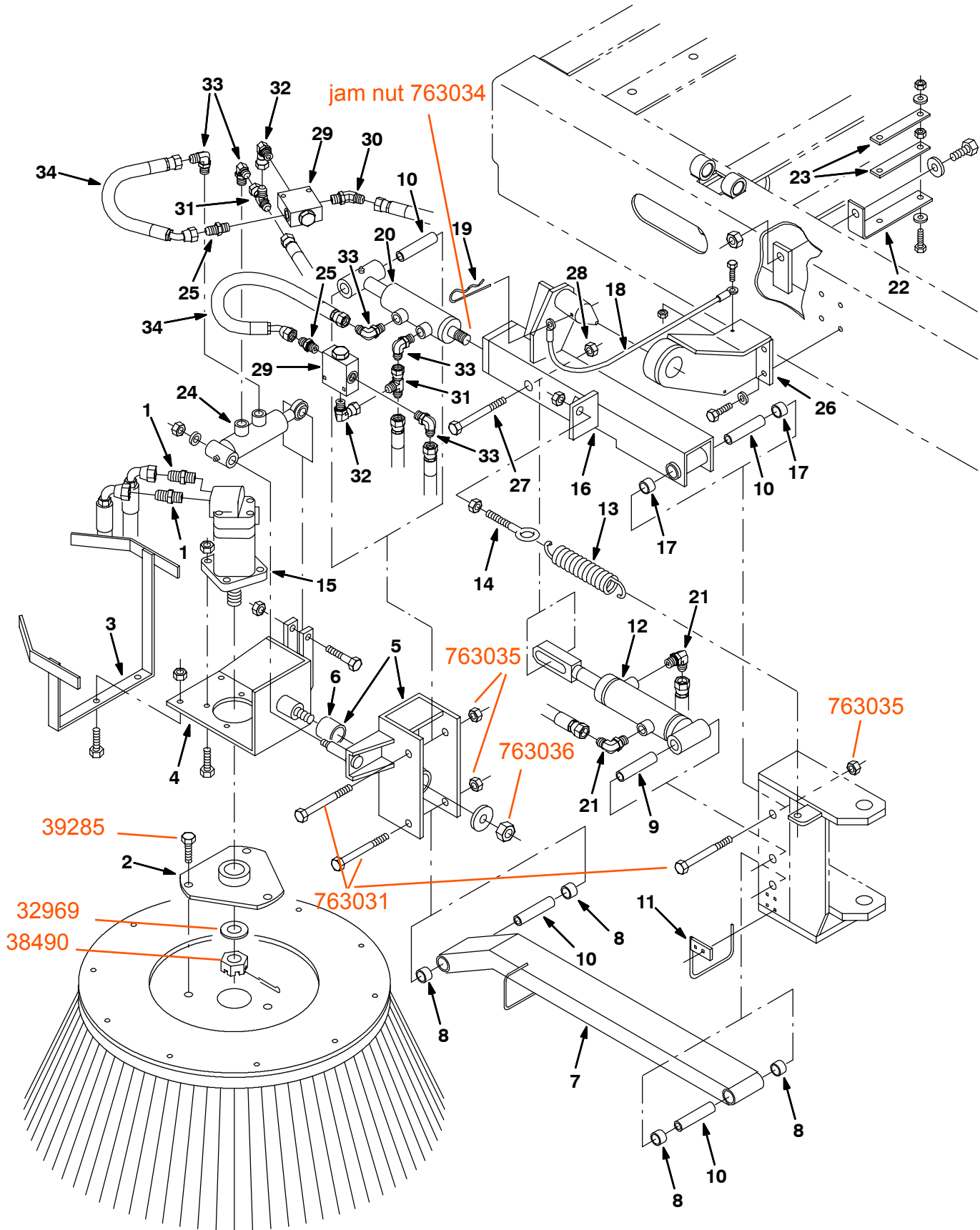


Fig. 4 - Right Hand Vario Sweeping Brush™ Arm Group

Ref.	TENNANT Part No.	Machine Number	Serial	Description	Qty.
1	762456	(000000-003174)		Ftg-Hyd, Str	2
2	761428	(000000-003174)		Hub Weldt,Side Brush	1
3	761463	(000000-003174)		Bracket,Water System	1
4	761451	(000000-003174)		Bracket Weldt,Hyd.Motor Mount	1
▽	5	761472	(000000-003174)	Bracket Weldt,Front Hinge	1
▲	6	761311	(000000-003174)	Bearing	1
▽	7	761469	(000000-003174)	Arm Weldt,Lower Brush Support	1
▲	8	761305	(000000-003174)	Bearing	4
	9	761445	(000000-003174)	Spacer,Hyd.Pivot	1
	10	761444	(000000-003174)	Spacer,Hyd.Pivot	4
	11	761464	(000000-003174)	Bracket Weldt,Hyd.Hose	1
▽	12	762004	(000000-003174)	Cylinder,Hyd, Brush Lift	1
▲		770029	(000000-003174)	Kit, Seal, Cyl, Hyd	1
	13	761343	(000000-003174)	Spring	1
	14	761225	(000000-003174)	Eyebolt, .50-13X3.5"	1
	15	762058	(000000-003174)	Motor, Hyd, Brush (See Breakdowns)	1
▽	16	761470	(000000-003174)	Arm Ass'y,Upper Brush Support	1
▲	17	761305	(000000-003174)	Bearing	2
	18	57702	(000000-003174)	Cable, Door, Access	1
	19	763026	(000000-003174)	Pin,Hair Cotter 1.00D.178Wire	1
	20	762002	(000000-003174)	Cylinder,Hyd, Curb Tilt	1
	21	762425	(000000-003174)	Ftg-Hyd, E90	3
	22	767038	(000000-003174)	Bracket, Hyd Hose Mount	1
	23	767037	(000000-003174)	Plate, Hyd Hose Mount	1
	24	762003	(000000-003174)	Cylinder,Hyd Brush Tilt	1
	25	762433	(000000-003174)	Ftg-Hyd, Str	2
	26	768077	(000000-003174)	Latch, Weldt, Brush Support	1
	27	763137	(000000-003174)	Scr, Hex M16x2.0x100	1
	28	33342	(000000-003174)	Nut-Hxlocnyln M16x2.0 Reg Pltd	1
	29	767247	(000000-003174)	Check Valve, Load Handling	2
	30	762442	(000000-003174)	Ftg-Hyd, E45	1
	31	762435	(000000-003174)	Ftg-Hyd, Tee	2
	32	762441	(000000-003174)	Ftg-Hyd, E90	2
	33	762432	(000000-003174)	Ftg-Hyd, E90	5
	34	767278	(000000-003174)	Hose-Hyd	2

Fig. 5 - Right Hand Vario Sweeping Brush™ Arm Group

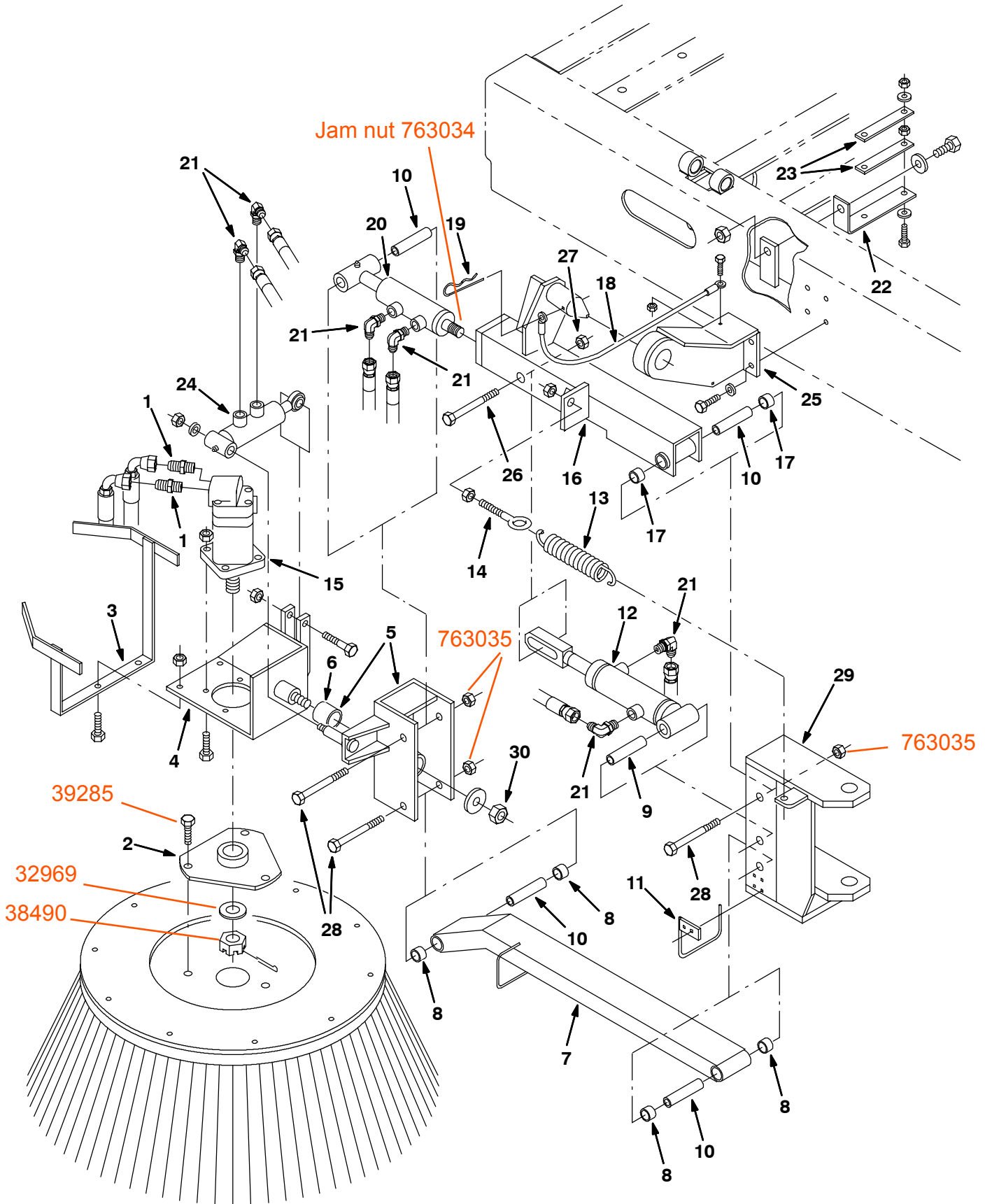


Fig. 5 - Right Hand Vario Sweeping Brush™ Arm Group

Ref.	TENNANT Part No.	Machine Number	Serial	Description	Qty.
	1	762456	(003175-) Ftg-Hyd, Str	2
	2	761428	(003175-) Hub Weldt,Side Brush	1
	3	761463	(003175-) Bracket,Water System	1
	4	761451	(003175-) Bracket Weldt,Hyd.Motor Mount	1
▽	5	761472	(003175-) Bracket Weldt,Front Hinge	1
▲	6	761311	(003175-) Bearing	1
▽	7	761469	(003175-) Arm Weldt,Lower Brush Support	1
▲	8	761305	(003175-) Bearing	4
	9	761445	(003175-) Spacer,Hyd.Pivot	1
	10	761444	(003175-) Spacer,Hyd.Pivot	4
	11	761464	(003175-) Bracket Weldt,Hyd.Hose	1
▽	12	762004	(003175-) Cylinder,Hyd, Brush Lift	1
▲		770029	(003238-) Kit, Seal, Cyl, Hyd	1
	13	761343	(003175-) Spring	1
	14	761225	(003175-) Eyebolt, .50-13X3.5"	1
	15	762058	(003175-) Motor, Hyd, Brush (See Breakdowns)	1
▽	16	761470	(003175-) Arm Ass'y,Upper Brush Support	1
▲	17	761305	(003175-) Bearing	2
	18	57702	(003175-) Cable, Door, Access	1
	19	763026	(003175-) Pin,Hair Cotter 1.00D.178Wire	1
▽	20	762002	(003175-) Cylinder,Hyd, Curb Tilt	1
▲		770027	(003238-) Kit, Seal, Cyl, Hyd	1
	21	762425	(003175-) Ftg-Hyd, E90	6
	22	767038	(003175-) Bracket, Hyd Hose Mount	1
	23	767037	(003175-) Plate, Hyd Hose Mount	1
▽	24	762003	(003175-) Cylinder,Hyd Brush Tilt	1
▲		770028	(003286-) Kit, Seal, Cyl, Hyd	1
	25	768077	(003175-) Latch, Weldt, Brush Support	1
	26	763137	(003175-) Scr, Hex M16x2.0x100	1
	27	33342	(003175-) Nut-Hxlocnyln M16x2.0 Reg Pltd	1
	28	763031	(003175-) Screw, Hex, M14 X 1.5 X 130	5
	29	763035	(003175-) Nut, Hex, M14 X 1.5	5
	30	763036	(003175-) Nut, Hex, Lock, M20 X 2.5	1

Fig. 6 - Right Hand Vario Sweeping Brush™ Dolly Group

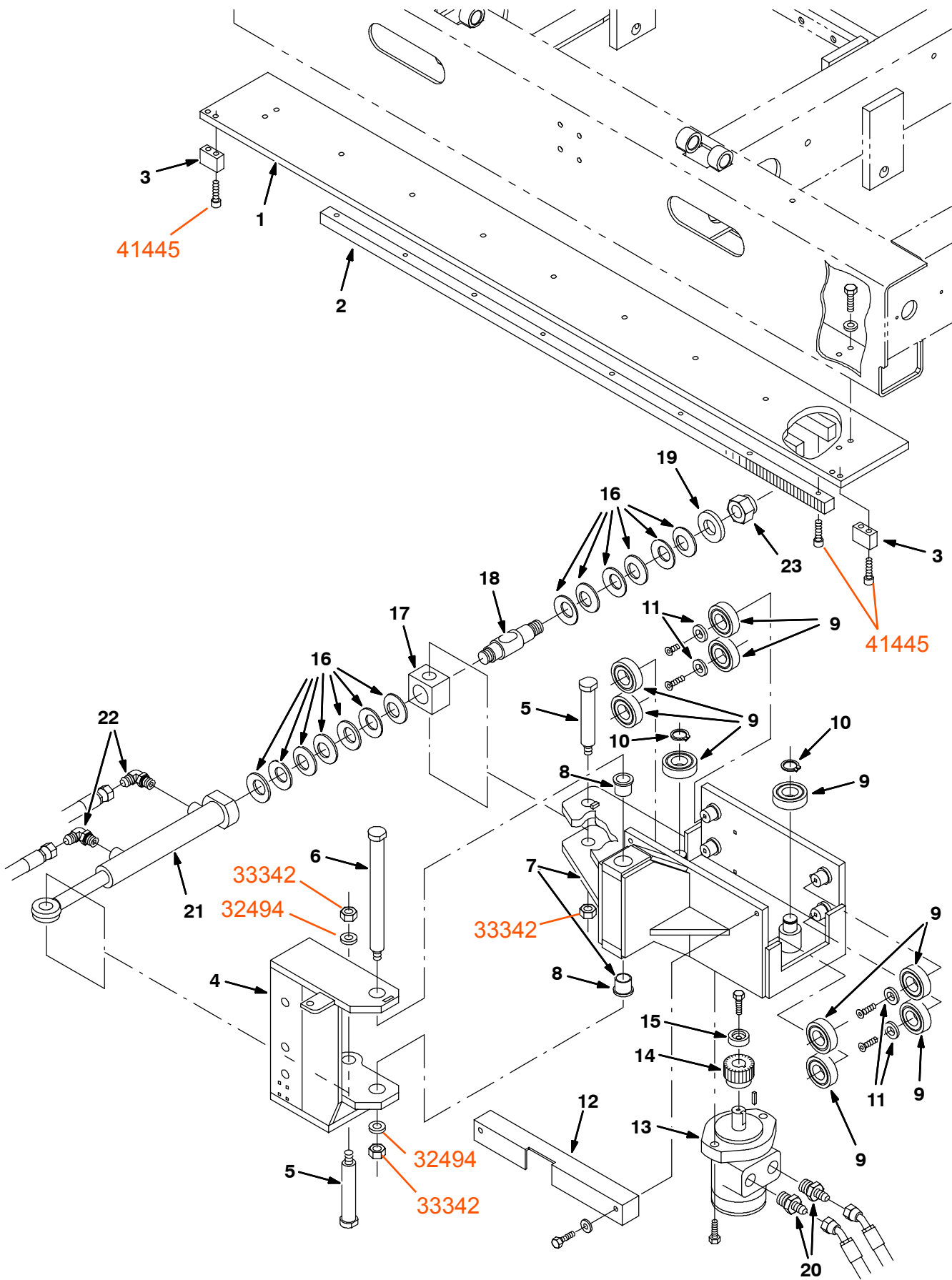


Fig. 6 - Right Hand Vario Sweeping Brush™ Dolly Group

Ref.	TENNANT Part No.	Machine Number	Serial	Description	Qty.	
1	761447	(000000-)	Guide Weldt,Undercarriage	1	
2	761317	(000000-)	Rack, Undercarriage	1	
3	761460	(000000-)	Block,Undercarriage Limiter	2	
4	761458	(000000-)	Hinge Weldt,Brush Arm	1	
5	761455	(000000-)	Pin,Spring Mount	2	
6	761457	(000000-)	Pin,Hinge	1	
▽	7	761479	(000000-)	Dolly Weldt,Undercarriage	1
▲	8	761312	(000000-)	Bearing	2
9	761345	(000000-)	Bearing, Cam Follower	10	
10	761307	(000000-)	Ring, Retaining Ext 25Mm	2	
11	761446	(000000-)	Washer	8	
12	761448	(000000-)	Cover,Undercarriage	1	
13	767020	(000000-)	Motor, Hyd, Brush Transprt (See Breakdowns)	1	
14	761328	(000000-)	Gear	1	
15	761449	(000000-)	Washer,Hyd.Motor	1	
16	761340	(000000-)	Spring, Belleville	12	
17	761454	(000000-)	Pivot,Spring Guide	1	
18	761453	(000000-)	Guide, Spring	1	
19	761355	(000000-)	Washer, Mounting, Spring	1	
20	762439	(000000-)	Ftg-Hyd, Str	2	
▽	21	762006	(000000-)	Cylinder,Hyd, Brush Swing	1
▲		762072	(003268-)	Kit, Seal, Cyl, Hyd	1
22	762425	(000000-)	Ftg-Hyd, E90	2	
23	763120	(000000-)	Nut, Hex, Lock, M24x2.0nyln	1	

Fig. 7 - Right Hand Hydraulic Vario Brush Control Group

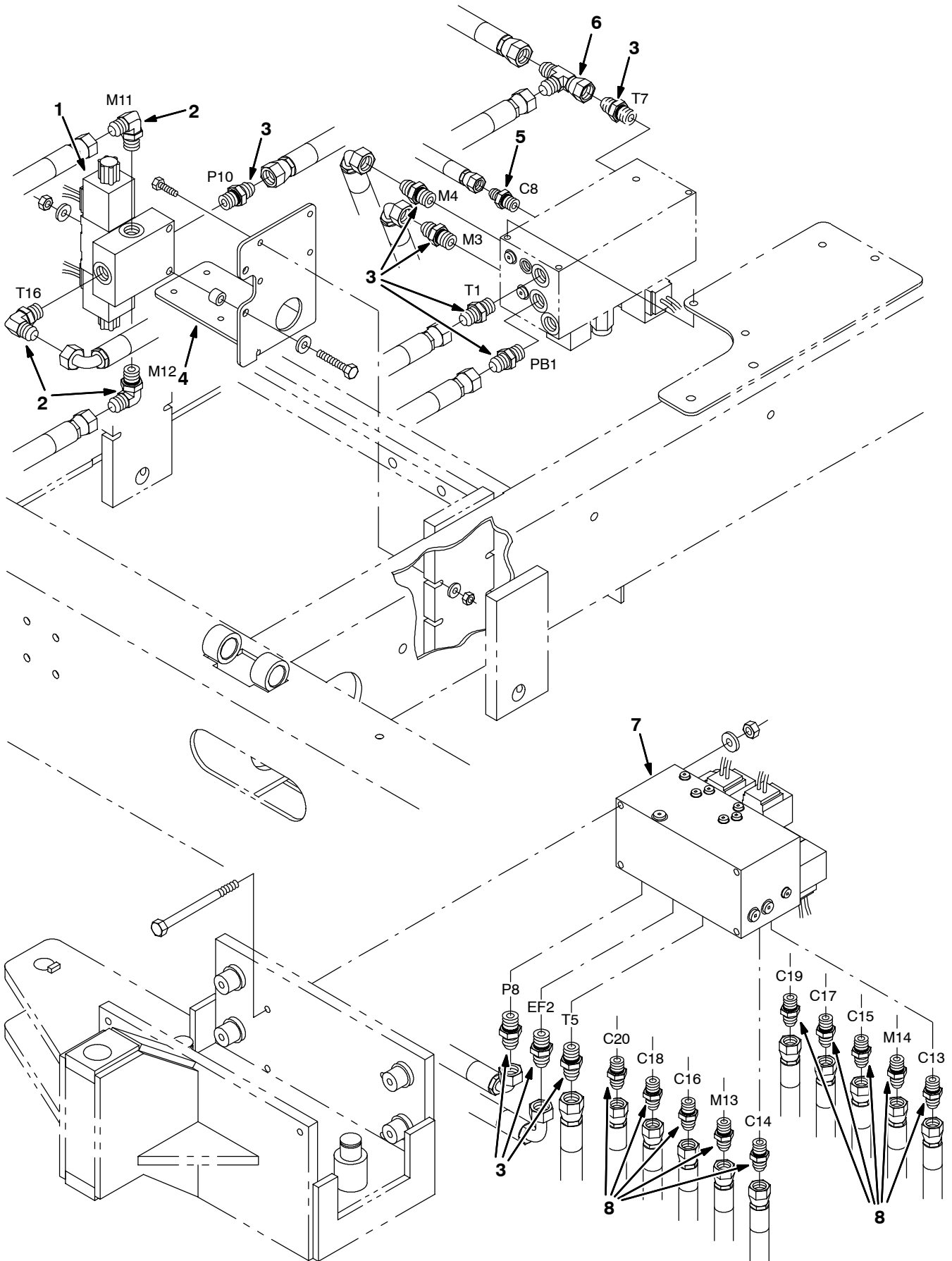


Fig. 7 - Right Hand Hydraulic Vario Brush Control Group

Ref.	TENNANT Part No.	Machine Serial Number	Description	Qty.
1	767218	(000000-003174)	Valve, Hyd Cntrl Sol - Vario (See Breakdowns)	1
2	762446	(000000-003174)	Ftg-Hyd, 90	3
3	762445	(000000-003174)	Ftg-Hyd, Str	9
4	767024	(000000-003174)	Bracket, Mtg	1
5	762426	(000000-003174)	Ftg-Hyd	1
6	762447	(000000-003174)	Ftg-Hyd	1
7	767208	(000000-003174)	Valve, Hyd Cntrl Sol - Vario (See Breakdowns)	1
8	762428	(000000-003174)	Ftg-Hyd, Str	10

Fig. 8 - Right Hand Hydraulic Vario Brush Control Group

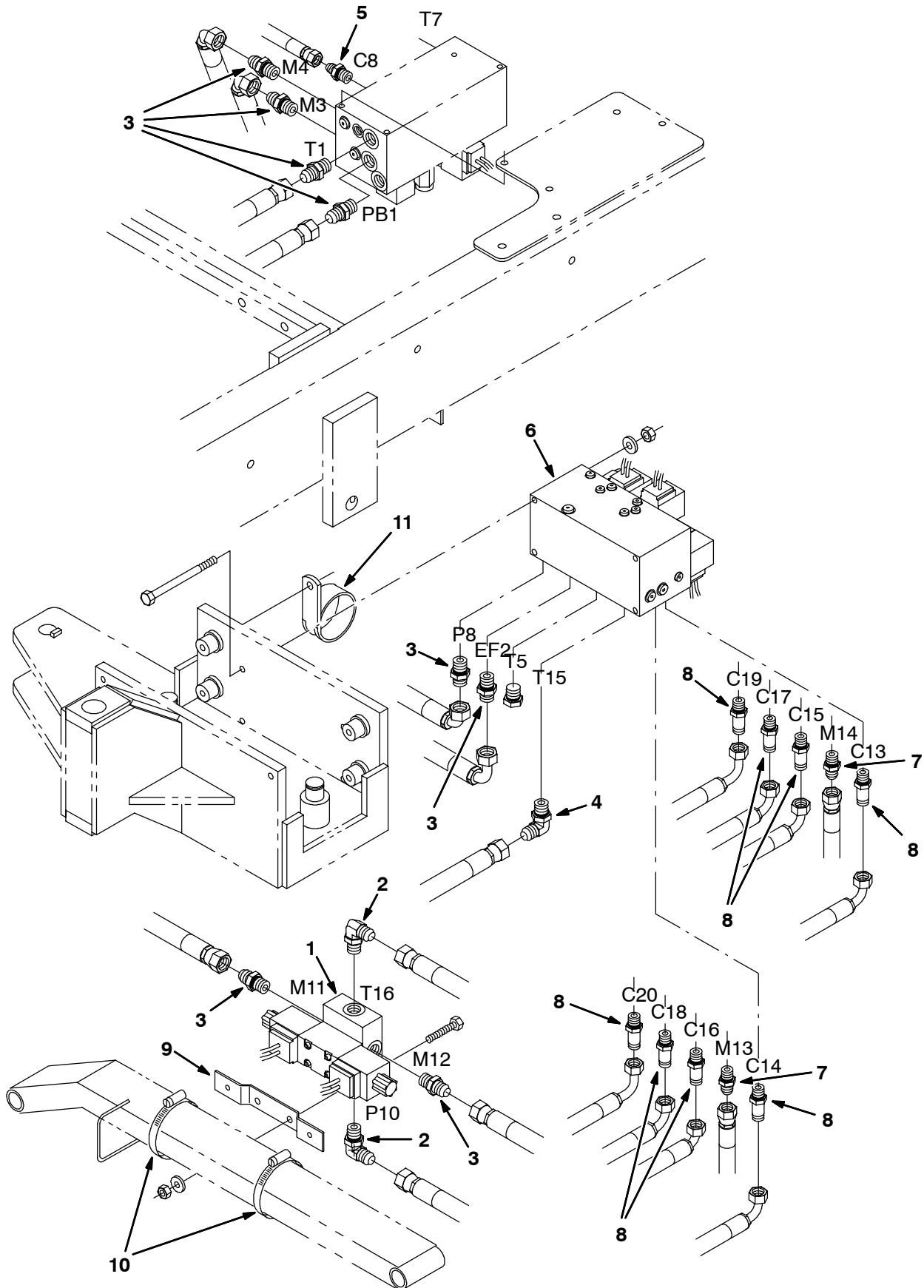


Fig. 8 - Right Hand Hydraulic Vario Brush Control Group

Ref.	TENNANT Part No.	Machine Serial Number	Description	Qty.
1	767218	(003175-) Valve, Hyd Cntrl Sol - Vario (See Breakdowns)	1
2	762446	(003175-) Ftg-Hyd, 90	2
3	762445	(003175-) Ftg-Hyd, Str	8
4	762437	(003175-) Ftg-Hyd, 90	1
5	762426	(003175-) Ftg-Hyd, Str	1
6	767215	(003175-) Valve, Hyd Cntrl Sol - Vario (See Breakdowns)	1
7	762428	(003175-) Ftg-Hyd, Str	2
8	767429	(003175-) Ftg-Hyd, Str	8
9	768079	(003175-) Bracket	1
10	17188	(003175-) Hose Clamps	2
11	70157	(003175-) Clamp, Cable	1

Fig. 9 - Left Hand Vario Sweeping Brush™ Arm Group

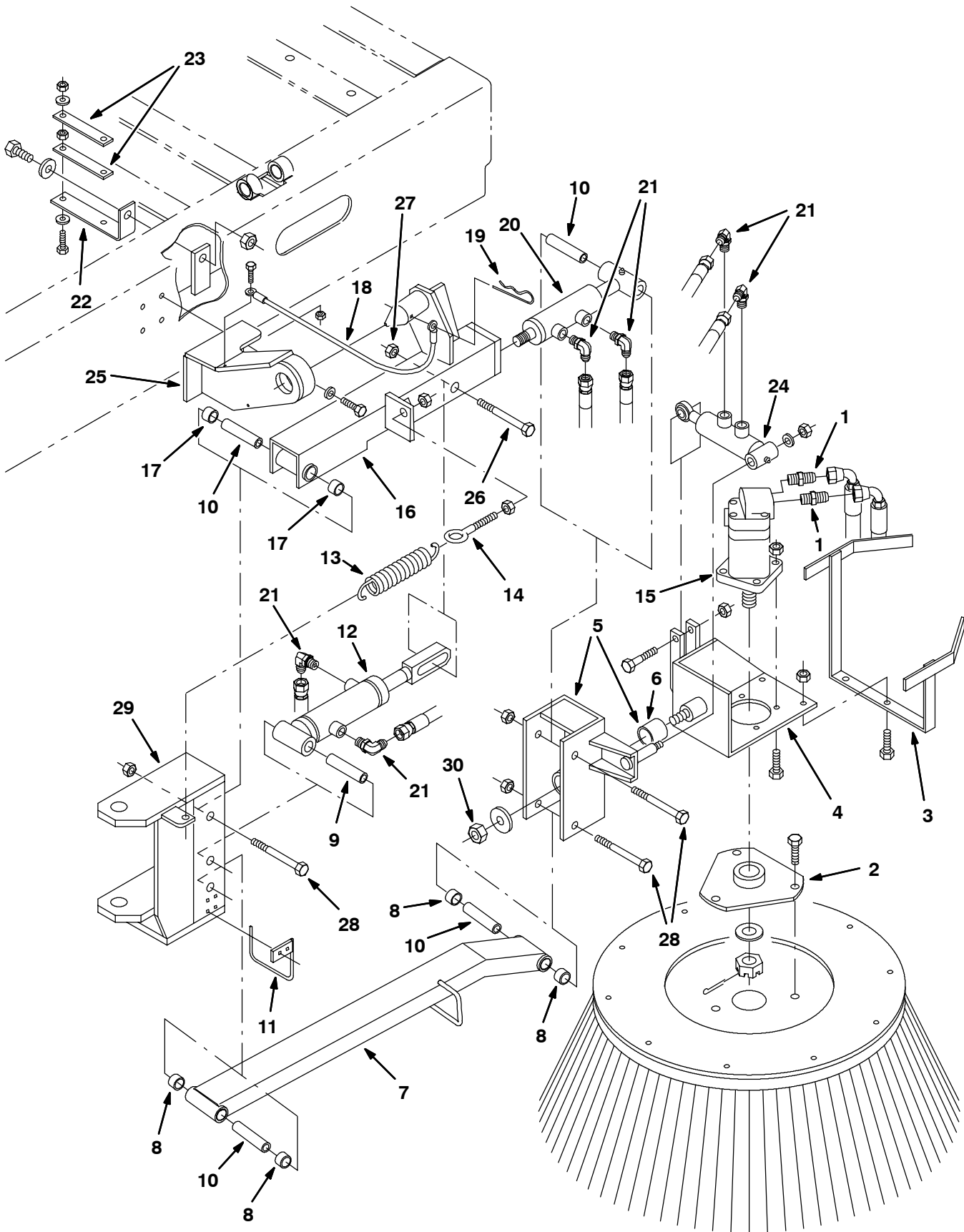


Fig. 9 - Left Hand Vario Sweeping Brush™ Arm Group

Ref.	TENNANT Part No.	Machine Number	Serial	Description	Qty.	
1	762456	(000000-)	Fitting, Hyd, Str	2	
2	761428	(000000-)	Hub, Brush	1	
3	768067	(000000-)	Bracket Wldt, Water Sys, Lh	1	
4	768063	(000000-)	Bracket Wldt, Motor Mount, Lh	1	
▽	5	768062	(000000-)	Bracket Wldt, Front Hinge, Lh	1
▲	6	761311	(000000-)	Bearing	1
▽	7	768060	(000000-)	Arm Wldt, Lower Brush Support	1
▲	8	761305	(000000-)	Bearing	4
9	761445	(000000-)	Spacer	1	
10	761444	(000000-)	Spacer	4	
11	768078	(000000-)	Bracket, Hose, Hyd, Lh	1	
▽	12	762004	(000000-)	Cylinder, Hyd	1
▲		770029	(003238-)	Kit, Seal, Cyl, Hyd	1
13	761343	(000000-)	Spring	1	
14	761225	(000000-)	Bolt, Eye	1	
15	762058	(000000-)	Motor, Hyd 3Rd Brush	1	
▽	16	768061	(000000-)	Arm Wldt, Upper Brush, Lh	1
▲	17	761305	(000000-)	Bearing	2
18	57702	(000000-)	Cable, Door, Access	1	
19	763026	(000000-)	Pin, Hair Cotter	1	
▽	20	762002	(000000-)	Cylinder, Hyd	1
▲		770027	(003238-)	Kit, Seal, Cyl, Hyd	1
21	762425	(000000-)	Fitting, Hyd	6	
22	767038	(000000-)	Bracket, Hyd Hose Mount	1	
23	767037	(000000-)	Plate, Hyd Hose Mount	1	
▽	24	762003	(000000-)	Cylinder, Hyd	1
▲		770028	(003286-)	Kit, Seal, Cyl, Hyd	1
25	768053	(000000-)	Latch Wldt, Brush Arm, Lh	1	
26	763137	(000000-)	Screw, Hex	1	
27	33342	(000000-)	Nut, Hex, Lock, M16	1	
28	763031	(003175-)	Screw, Hex, M14 X 1.5 X 130	5	
29	763035	(003175-)	Nut, Hex, M14 X 1.5	5	
30	763036	(003175-)	Nut, Hex, Lock, M20 X 2.5	1	

Fig. 10 - Left Hand Vario Sweeping Brush™ Dolly Group

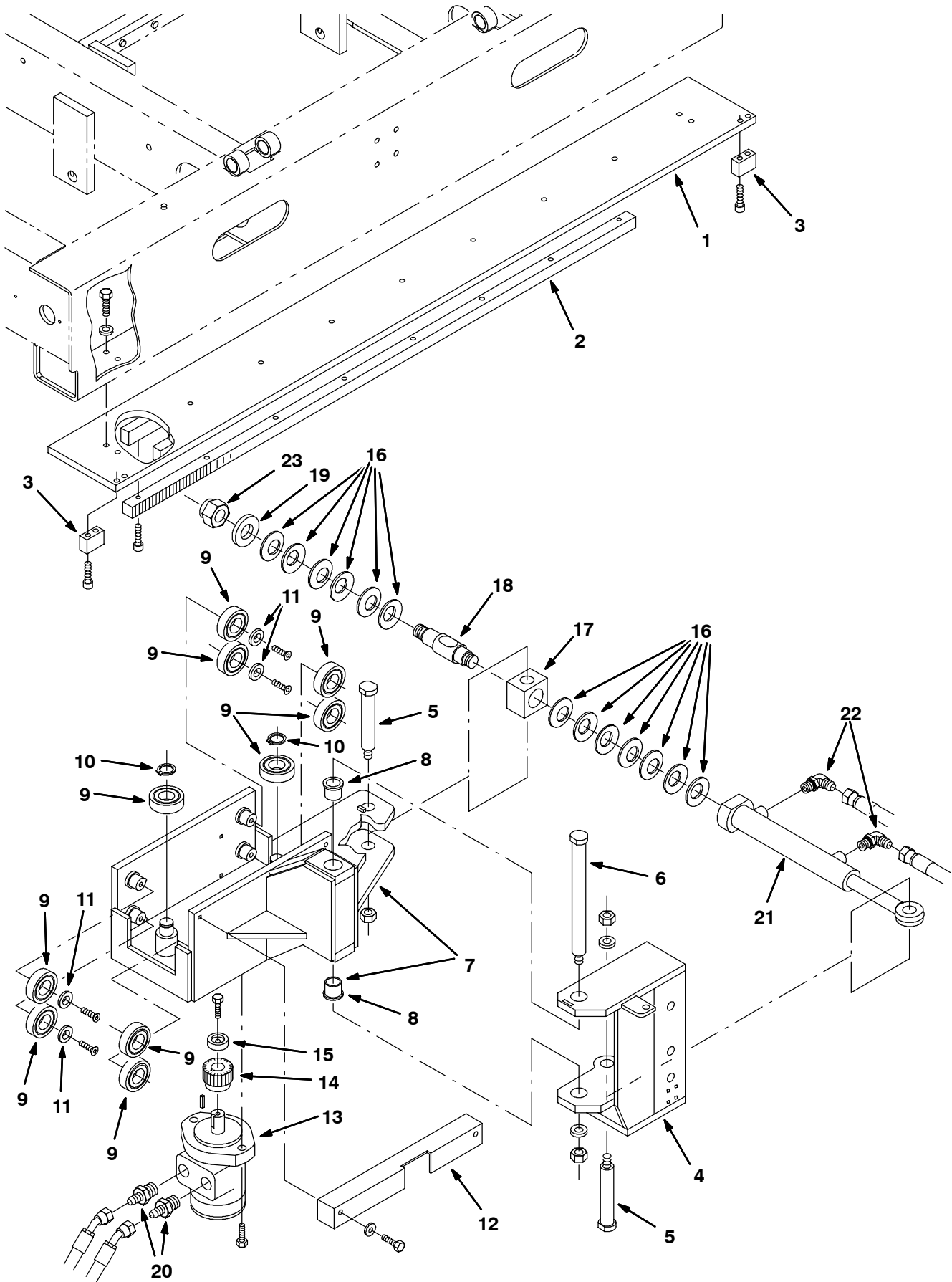


Fig. 10 - Left Hand Vario Sweeping Brush™ Dolly Group

Ref.	TENNANT Part No.	Machine Number	Serial	Description	Qty.	
1	761447	(000000-)	Guide	1	
2	761317	(000000-)	Rack, Undercarriage	1	
3	761460	(000000-)	Block	2	
4	768052	(000000-)	Hinge Wldt, Brush Arm, Lh	1	
5	761455	(000000-)	Pin, Spring	2	
6	761457	(000000-)	Pin, Hinge	1	
▽	7	768056	(000000-)	Dolly Wldt, Undercarriage	1
▲	8	761312	(000000-)	Bearing	2
9	761345	(000000-)	Bearing, Cam Follower	10	
10	761307	(000000-)	Ring, Retaining	2	
11	761446	(000000-)	Washer	8	
12	768066	(000000-)	Cover, Undercarriage, Lh	1	
13	767020	(000000-)	Motor, Hyd Transport Vario	1	
14	761328	(000000-)	Gear	1	
15	761449	(000000-)	Washer	1	
16	761340	(000000-)	Spring, Bellville	12	
17	761454	(000000-)	Pivot	1	
18	761453	(000000-)	Guide	1	
19	761355	(000000-)	Washer	1	
20	762439	(000000-)	Fitting, Hyd	2	
▽	21	762006	(000000-)	Cylinder, Hyd	1
▲		762072	(003268-)	Kit, Seal, Cyl, Hyd	1
22	762425	(000000-)	Fitting, Hyd	2	
23	763120	(000000-)	Nut, Hex, Lock, M24x2.0nyln	1	

Fig. 11 - Left Hand Hydraulic Vario Brush Control Group

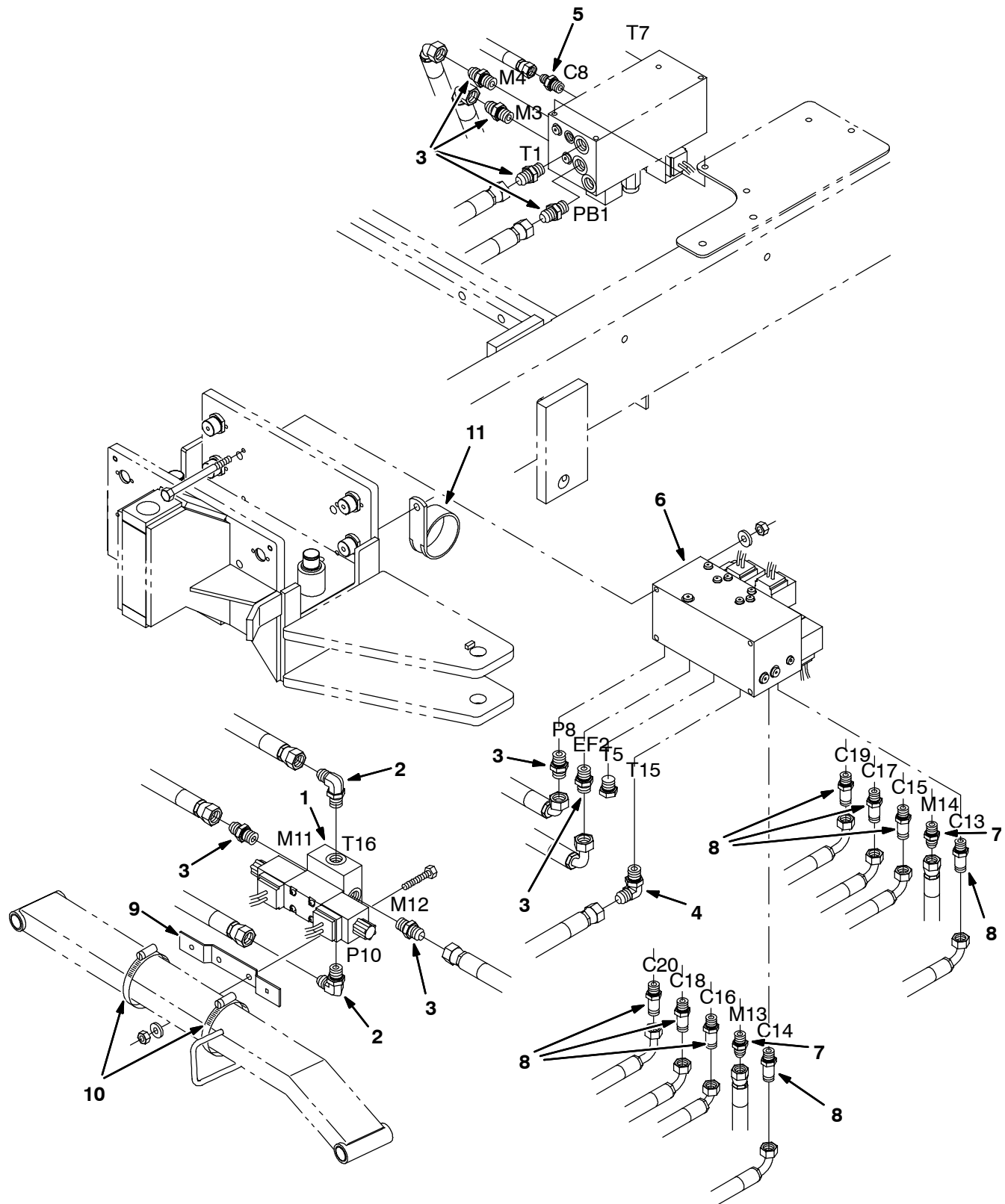


Fig. 11 - Left Hand Hydraulic Vario Brush Control Group

Ref.	TENNANT Part No.	Machine Serial Number	Description	Qty.
1	767218	(000000-) Valve, Hyd Cntrl Sol - Vario (See Breakdowns)	1
2	762446	(000000-) Ftg-Hyd, 90	2
3	762445	(000000-) Ftg-Hyd, Str	8
4	762437	(000000-) Ftg-Hyd, 90	1
5	767426	(000000-) Ftg-Hyd, Str	1
6	767215	(000000-) Valve, Hyd Cntrl Sol - Vario (See Breakdowns)	1
7	762428	(000000-) Ftg-Hyd, Str	2
8	767429	(000000-) Ftg-Hyd, Str	8
9	768079	(000000-) Bracket	1
10	17188	(000000-) Hose Clamp	2
11	70157	(000000-) Clamp, Cable	1

Fig. 12 - High Pressure Sprayer Wand Group

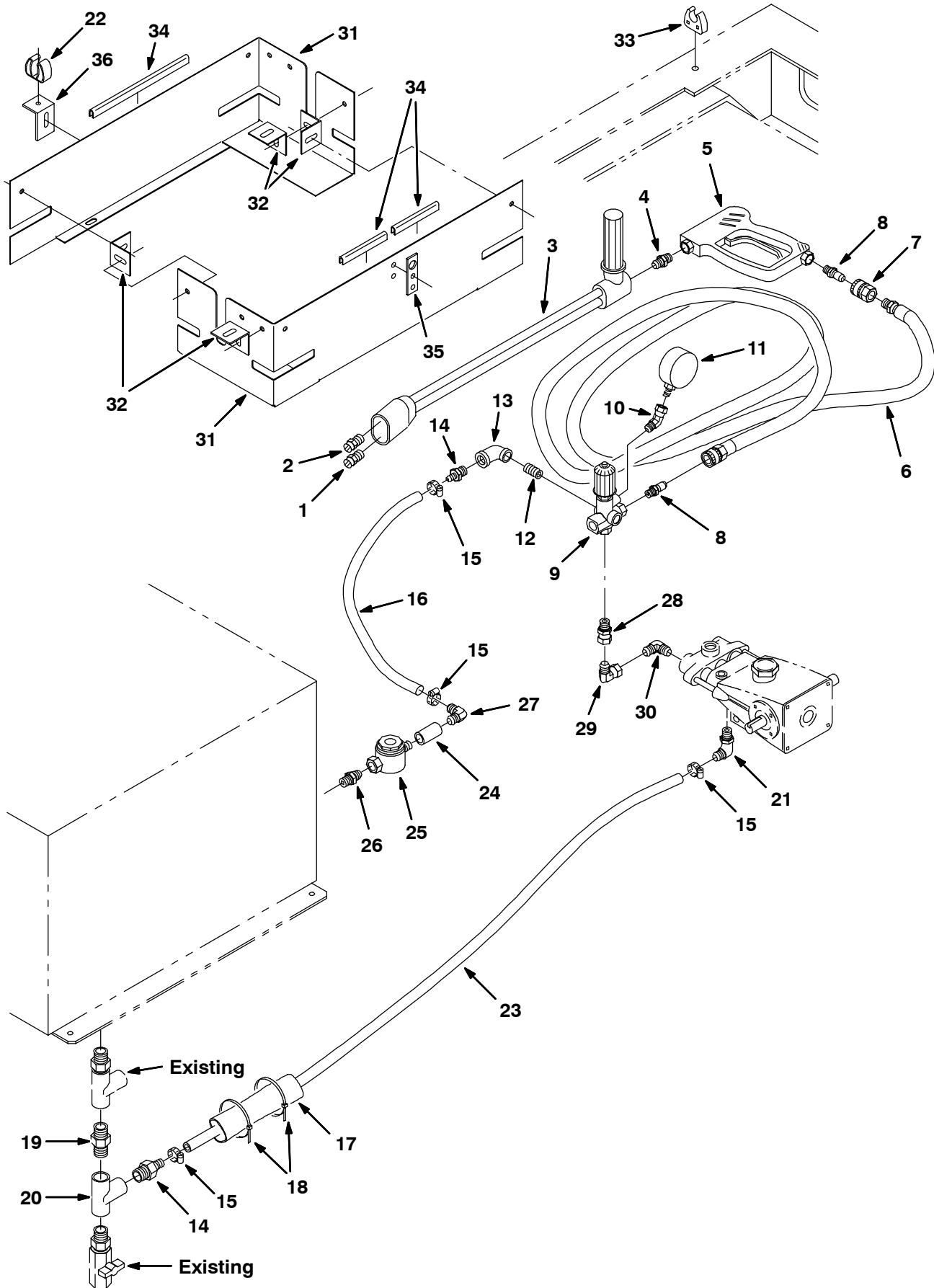


Fig. 12 - High Pressure Sprayer Wand Group

Ref.	TENNANT Part No.	Machine Number	Serial	Description	Qty.
1	762272	(000000-)	Nozzle, High Pressure	1
2	762271	(000000-)	Nozzle, Lo Pressure	1
3	762267	(000000-)	Lance, Dual	1
4	762278	(000000-)	Ftg-Hyd, Str	1
5	762266	(000000-)	Handle, High Pressure Spray	1
6	762270	(000000-)	Hose Assembly, Pressure Wash	1
7	762294	(000000-)	Coupler Body, .375F Brass	1
8	762293	(000000-)	Coupler Plug, .375M Ss	2
9	762264	(000000-)	Valve, Unloader	1
10	762256	(000000-)	Ftg-Hyd, E45	1
11	762265	(000000-)	Gauge, Glycerin	1
12	762292	(000000-)	Ftg,Nipple Galv .375Npt Close	1
13	762254	(000000-)	Ftg,90El Galv .375X.50 F Npt	1
14	762229	(000000-)	Nipple, .50Mx.50B	2
15	54333	(000000-)	Clamp-Wormdrive, 0.31- 0.88D	4
16	762259	(000000-)	Hose, Water .50In X 10.0Ft	1
17	87677	(000000-)	Sleeve-Nylon #20 20.0L	1
18	763115	(000000-)	Tie, Cable 6.0 Lg	15
	763116	(000000-)	Tie, Cable 15.25 Lg	10
19	762233	(000000-)	Nipple, .50Mx.50M	1
20	762212	(000000-)	Tee, .50Fx.50Fx.50F	1
21	40145	(000000-)	Ftg,Plstc,Elb,Barb.50Pt-.75Hse	1
22	761524	(000000-)	Clip, Finger Clip, Metal	1
23	762241	(000000-)	Hose, Water , Polywire.50Inx12.0Ft	1
24	762291	(000000-)	Ftg-Hyd, Str 8-8	1
25	762269	(000000-)	Filter, Inline Strainer	1
26	762290	(000000-)	Ftg-Hyd, Str 8-8	1
27	63244-1	(000000-)	Ftg, Plstc E90	1
28	762286	(000000-)	Ftg-Hyd, Str 8	1
29	762284	(000000-)	Ftg-Hyd, E90 8	1
30	762285	(000000-)	Ftg-Hyd, E90 8	1
31	768310	(000000-)	Plate, Tool Holder	2
32	762297	(000000-)	Angle	4
33	760660	(000000-)	Clip, Storage Plastic	1
34	768314	(000000-)	Molding, Trim 7.5 Ft	1
35	760599	(000000-)	Bracket, Tool Box	1
36	760672	(000000-)	Angle	1

Fig. 13 - High Pressure Sprayer Pump Group

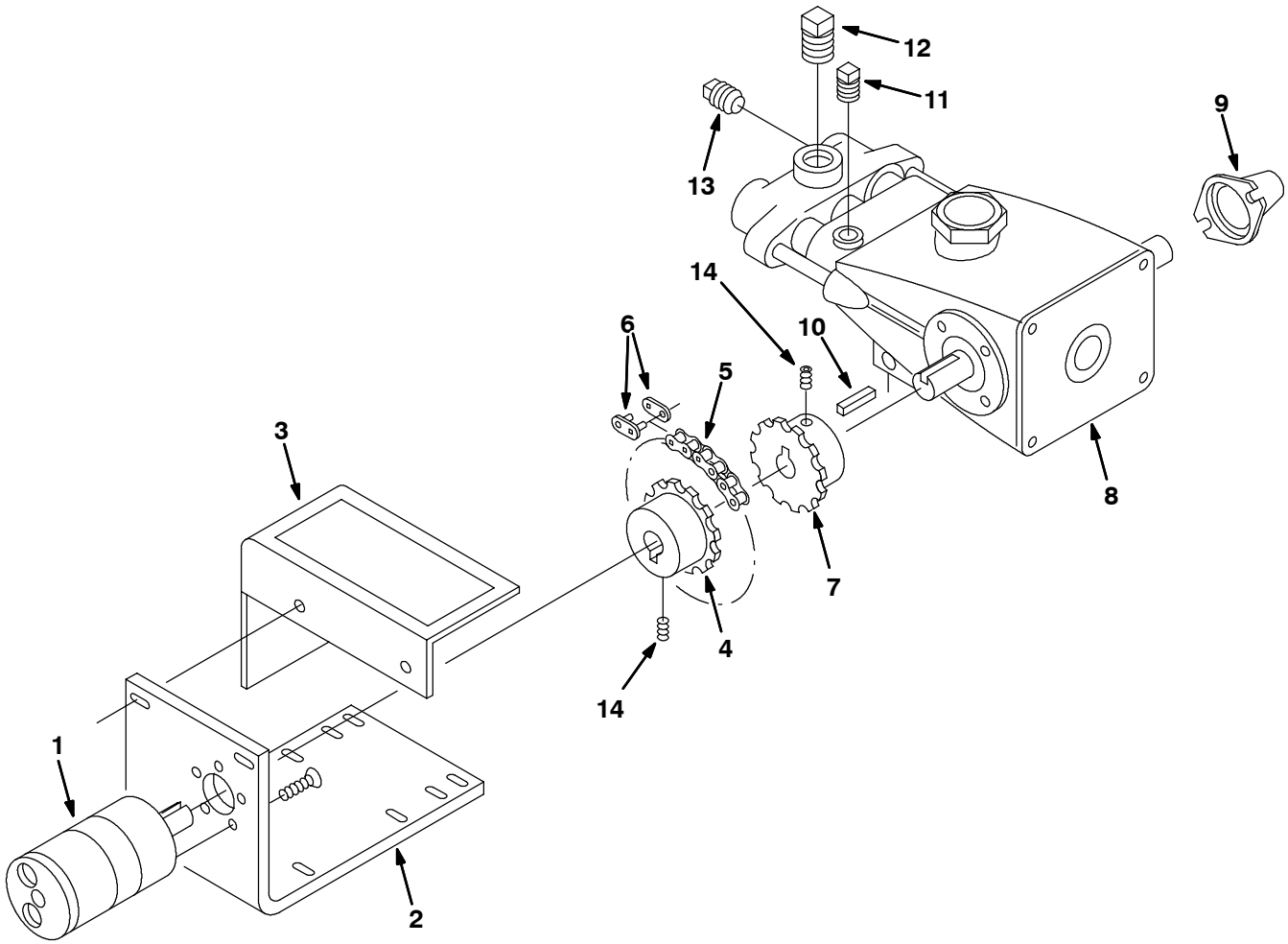


Fig. 13 - High Pressure Sprayer Pump Group

Ref.	TENNANT Part No.	Machine Number	Serial	Description	Qty.	
1	762261	(000000-)	Motor, Hyd High Press Sprayer	1	
2	762277	(000000-)	Plate, Mount, Hyd Motor	1	
3	768309	(000000-)	Guard, Pump Coupling	1	
4	762280	(000000-)	Coupling, Motor Press Washer	1	
5	33691	(000000-)	Chain,Rlr, 15Pitches	1	
6	33692	(000000-)	Link, Rlr.Chain	1	
7	40143	(000000-)	Coupling,Chain,L.H Half,Keyed	1	
▽	8	762260	(000000-)	Pump, Cat 290 Press Wash (See Breakdowns)	1
▲		40144-4	(000000-)	Oil, Crankcase, Cat Pump (For 1 oil change)	1
9	38321	(000000-)	Pump Cover	1	
10	40144-6	(000000-)	Key-5Mm	1	
11	762281	(000000-)	Ftg-Hyd, Plug	1	
12	17521	(000000-)	Ftg-Plug Npt 08Pm Sq Hd	1	
13	762282	(000000-)	Ftg-Hyd, Plug	1	
14	39322	(000000-)	Screw, Set .38 in	2	

Fig. 14 - High Pressure Sprayer Hydraulic Hose Group

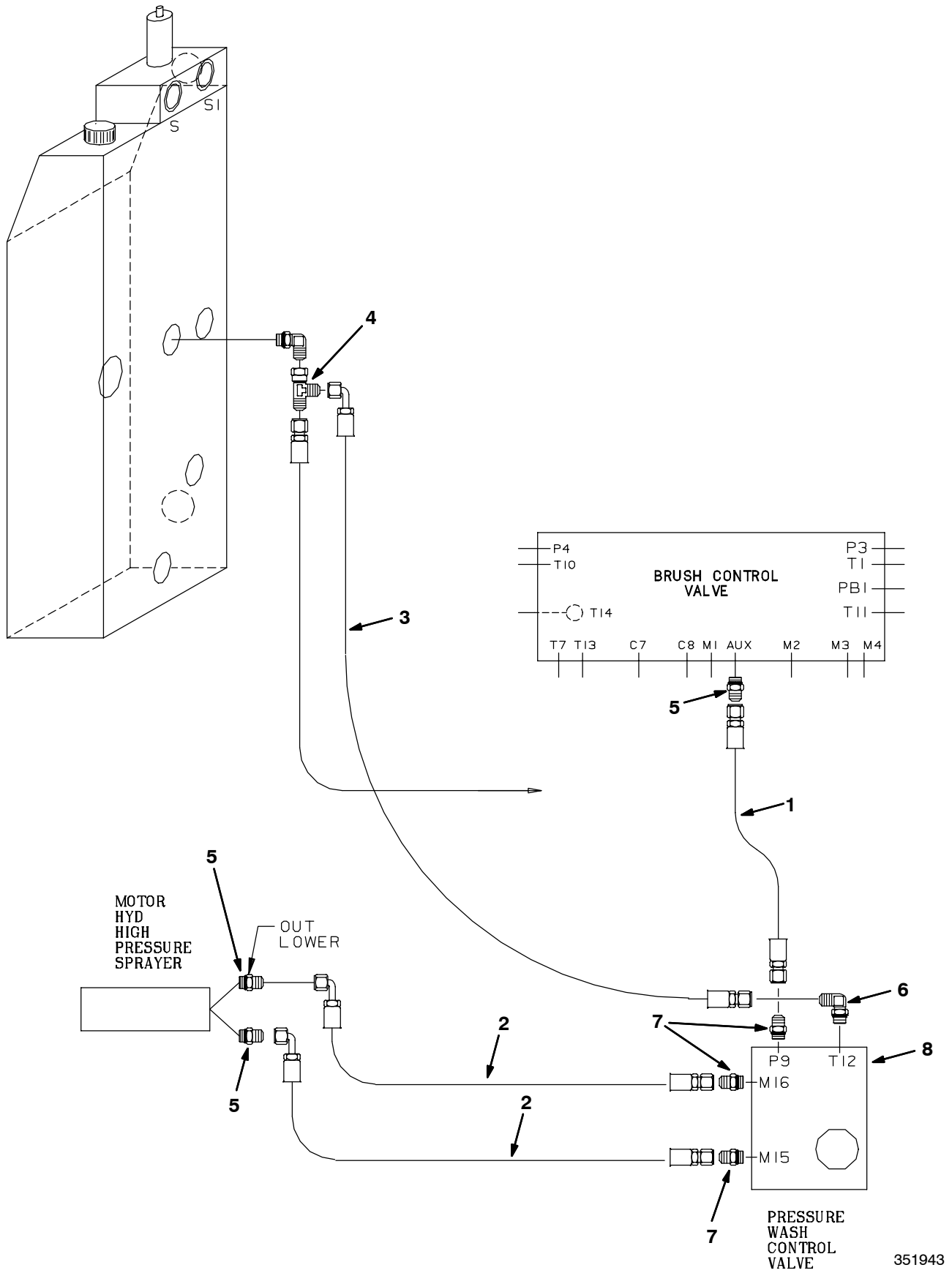


Fig. 14 - High Pressure Sprayer Hydraulic Hose Group

Ref.	TENNANT Part No.	Machine Number	Serial	Description	Qty.
1	767317	(000000-)	Hose, Hyd	1
2	767318	(000000-)	Hose, Hyd	2
3	767327	(000000-)	Hose, Hyd	1
4	762435	(000000-)	Ftg-Hyd, Tee	1
5	762433	(000000-)	Ftg-Hyd, Str	3
6	762437	(000000-)	Ftg-Hyd, E90	1
7	762438	(000000-)	Ftg-Hyd, Str	3
8	767009	(000000-)	Valve, Hyd Cntrl Sol-Press Wash (See Breakdowns)	1

Fig. 15 - High Dump Hopper Hydraulic Hose Group

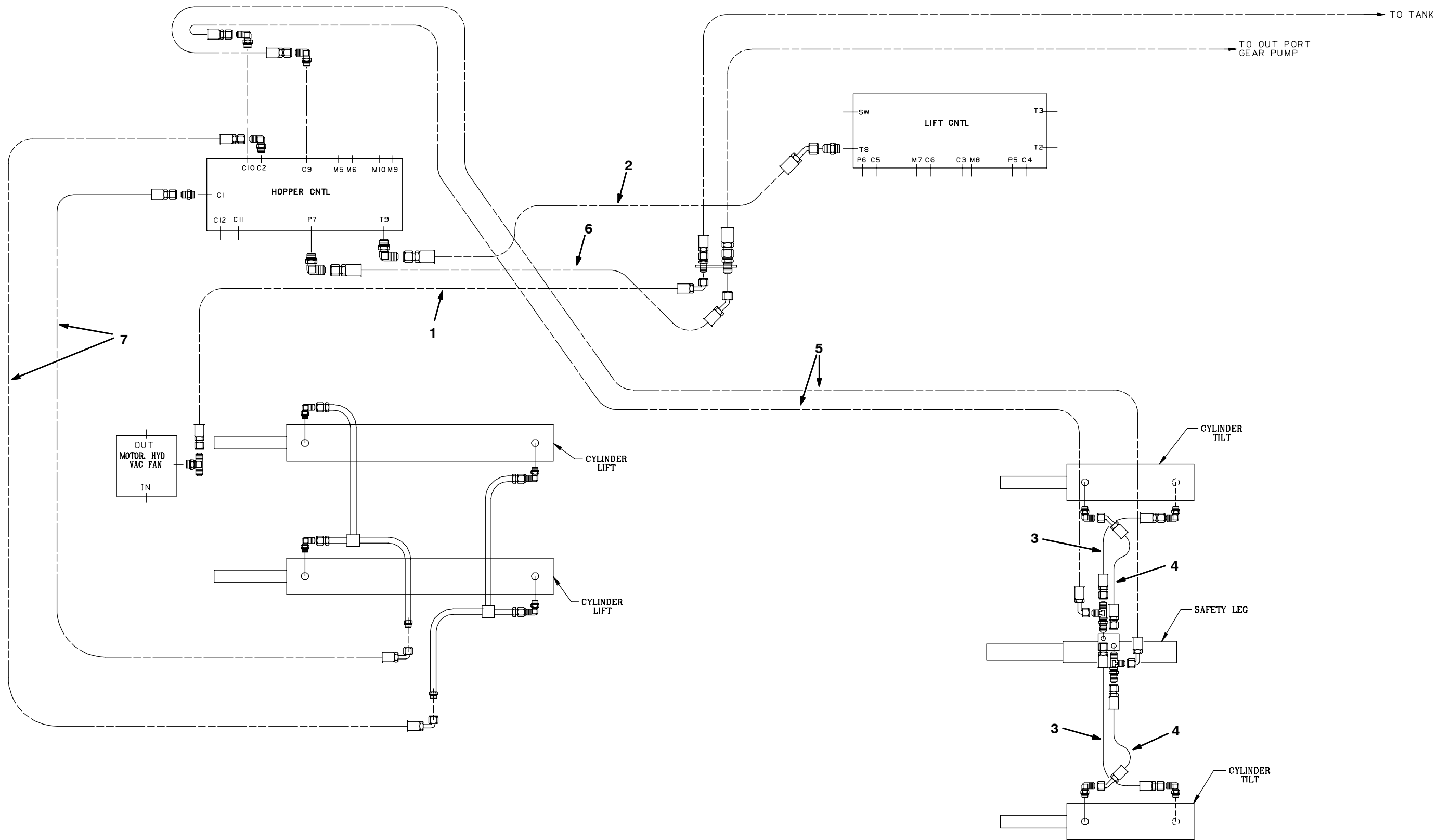
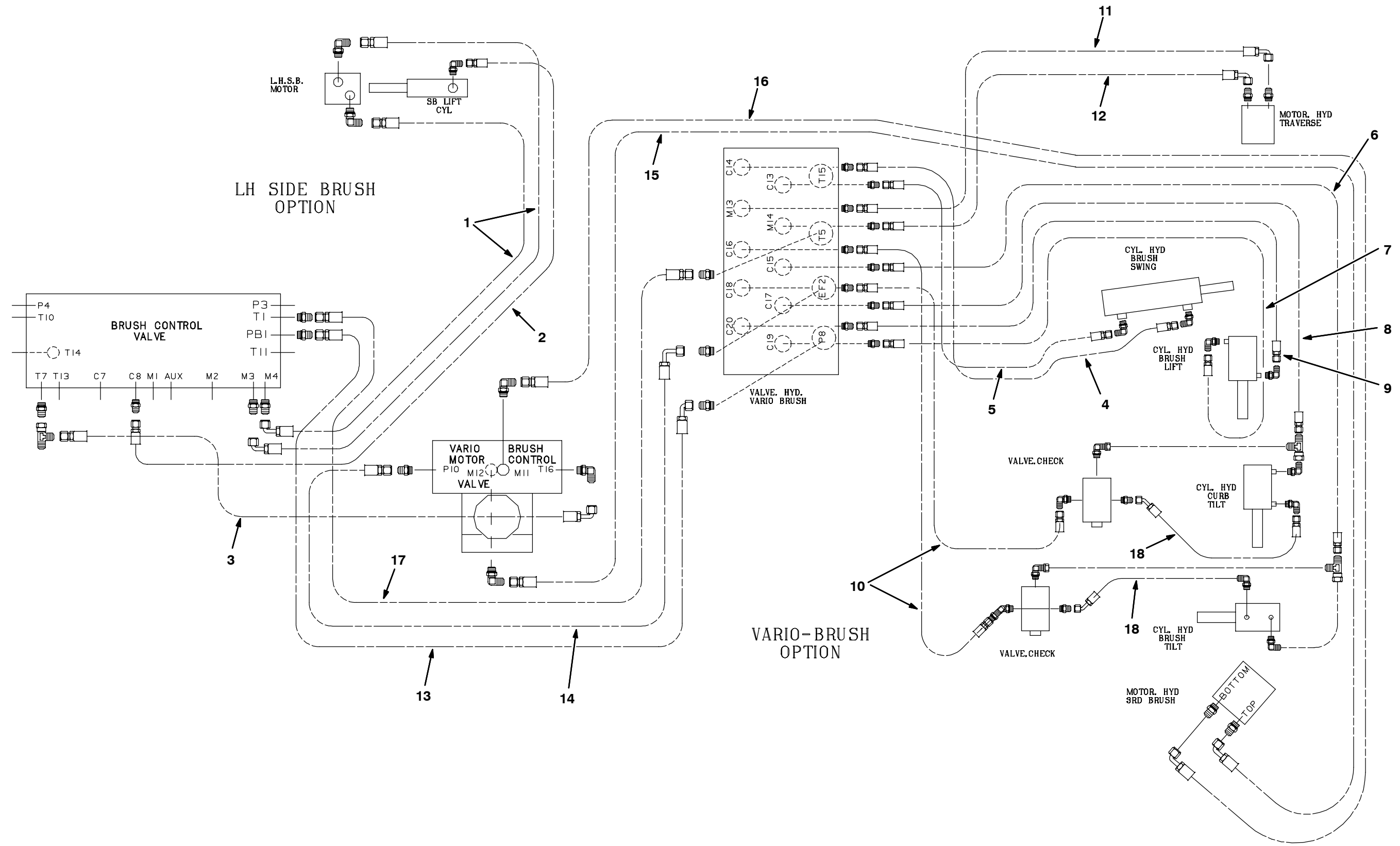


Fig. 15 - High Dump Hopper Hydraulic Hose Group

Ref.	TENNANT Part No.	Machine Number	Serial	Description	Qty.
1	767233	(000000-)	Hose, Hyd	1
2	767281	(000000-)	Hose, Hyd	1
3	767319	(000000-)	Hose, Hyd	2
4	767320	(000000-)	Hose, Hyd	2
5	767321	(000000-)	Hose, Hyd	2
6	767323	(000000-)	Hose, Hyd	1
7	767325	(000000-)	Hose, Hyd	2

Fig. 16 - Vario Brush (000000-003174) and Left Hand Side Brush Hydraulic Hose Group



351943

351943

**Fig. 16 - Vario Brush (000000-003174)
and Left Hand Side Brush Hydraulic Hose Group**

Ref.	TENNANT Part No.	Machine Number	Serial	Description	Qty.
1	767246	(000000-)	Hose, Hyd	2
2	767250	(000000-)	Hose, Hyd	1
3	767263	(000000-003174)	Hose, Hyd	1
4	767291	(000000-003174)	Hose, Hyd	1
5	767292	(000000-003174)	Hose, Hyd	1
6	767293	(000000-003174)	Hose, Hyd	1
7	767294	(000000-003174)	Hose, Hyd	1
8	767295	(000000-003174)	Hose, Hyd	1
9	767296	(000000-003174)	Hose, Hyd	1
10	767297	(000000-003174)	Hose, Hyd	2
11	767299	(000000-003174)	Hose, Hyd	1
12	767300	(000000-003174)	Hose, Hyd	1
13	767301	(000000-003174)	Hose, Hyd	1
14	767302	(000000-003174)	Hose, Hyd	1
15	767303	(000000-003174)	Hose, Hyd	1
16	767304	(000000-003174)	Hose, Hyd	1
17	767329	(000000-003174)	Hose, Hyd	1
18	767278	(000000-003174)	Hose, Hyd	2

Fig. 17 - Vario Brush Hydraulic Hose Group (003175-)

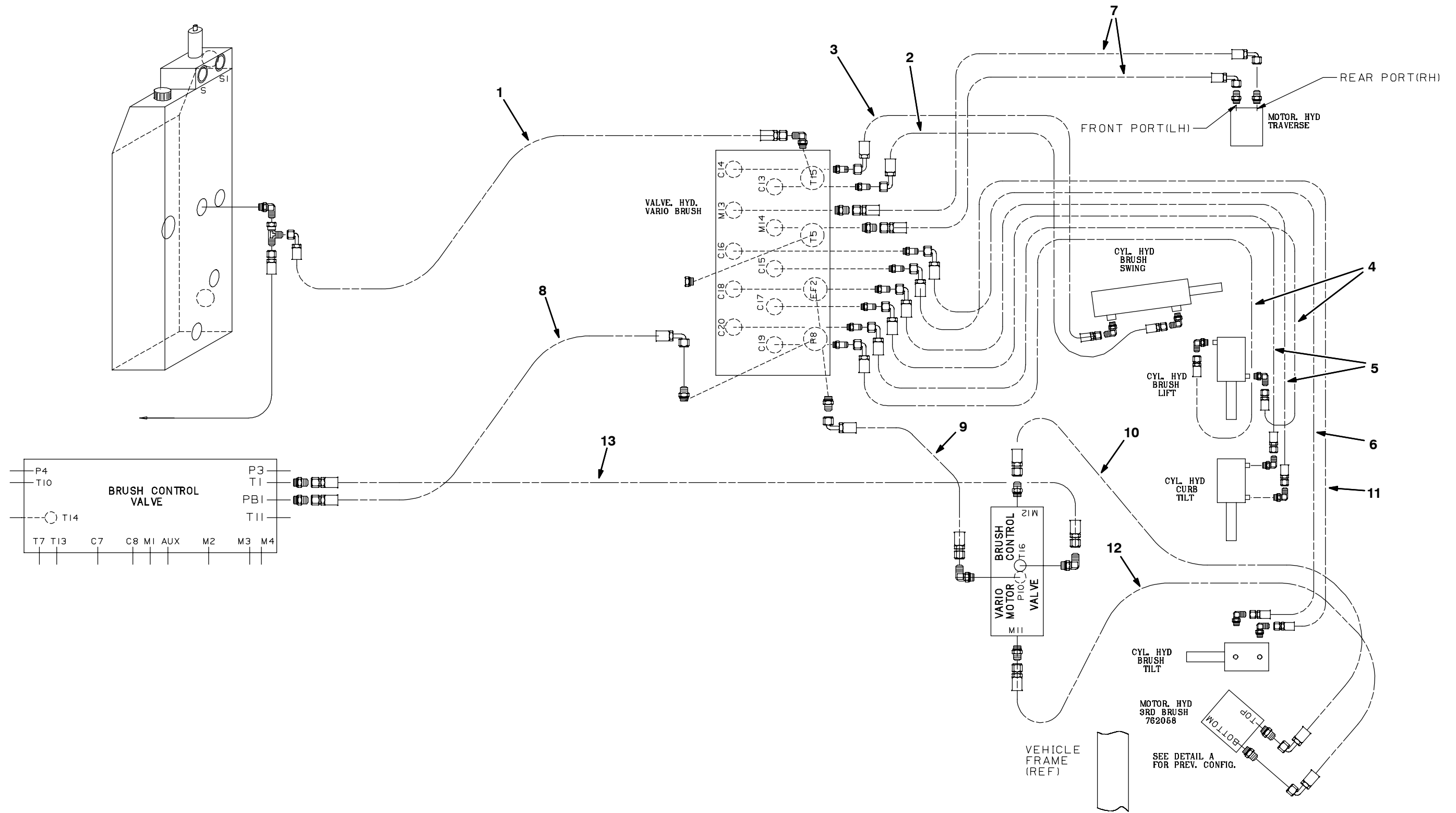


Fig. 17 - Vario Brush Hydraulic Hose Group (003175-)

Ref.	TENNANT Part No.	Machine Number	Serial	Description	Qty.
1	767446	(003175-)	Hose, Hyd	1
2	767436	(003175-)	Hose, Hyd	1
3	767437	(003175-)	Hose, Hyd	1
4	767431	(003175-)	Hose, Hyd	2
5	767432	(003175-)	Hose, Hyd	2
6	767433	(003175-)	Hose, Hyd	1
7	767435	(003175-)	Hose, Hyd	2
8	767444	(003175-)	Hose, Hyd	1
9	767438	(003175-)	Hose, Hyd	1
10	767440	(003175-)	Hose, Hyd	1
11	767434	(003175-)	Hose, Hyd	1
12	767344	(003175-)	Hose, Hyd	1
13	767445	(003175-)	Hose, Hyd	1

Fig. 18 - L.H. Steering Hydraulic Hose Group

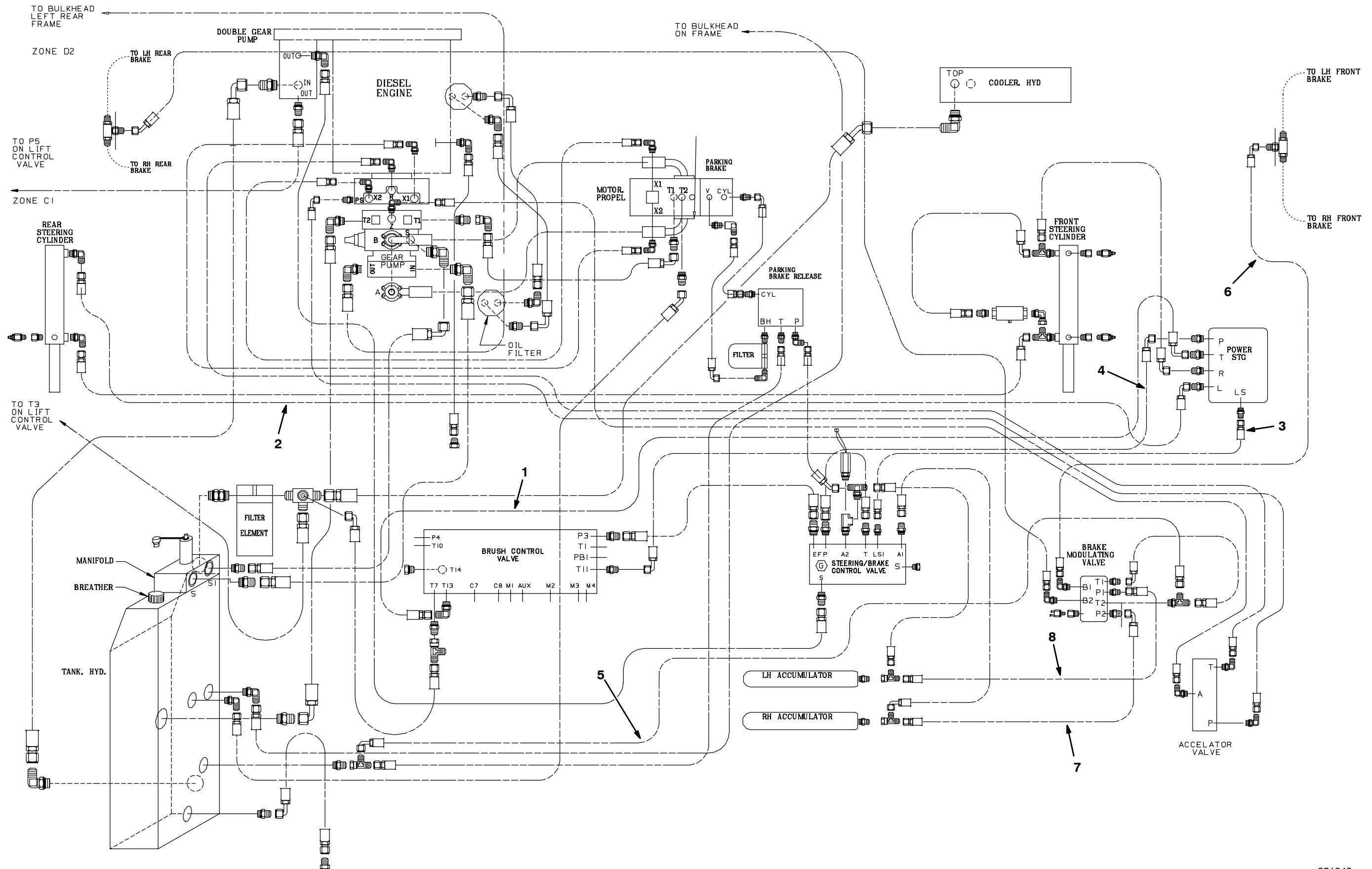


Fig. 18 - L.H. Steering Hydraulic Hose Group

Ref.	TENNANT Part No.	Machine Number	Serial	Description	Qty.
1	767343	(000000-)	Hose,Hyd	1
2	767341	(000000-)	Hose,Hyd	1
3	767336	(000000-)	Hose,Hyd	1
4	767342	(000000-)	Hose,Hyd	1
5	767335	(000000-)	Hose,Hyd	1
6	767338	(000000-)	Hose,Hyd	1
7	767340	(000000-)	Hose,Hyd	1
8	767339	(000000-)	Hose,Hyd	1

Fig. 19 - Left Hand Operator Group

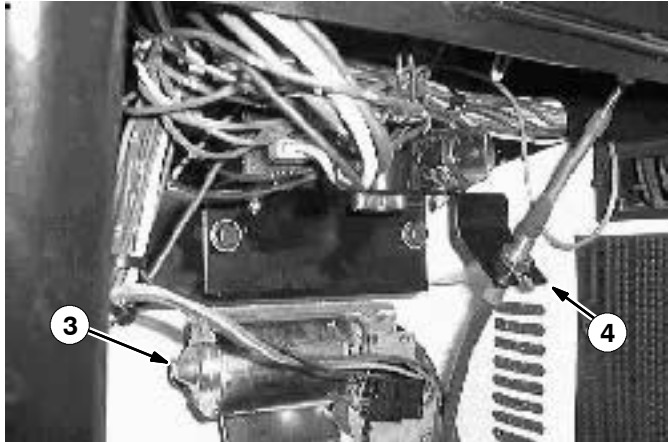
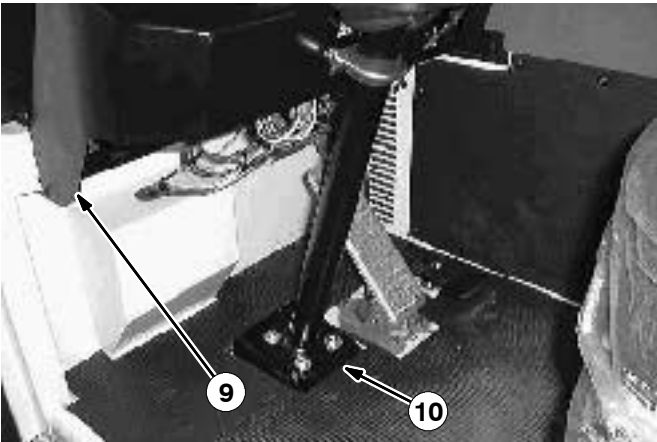
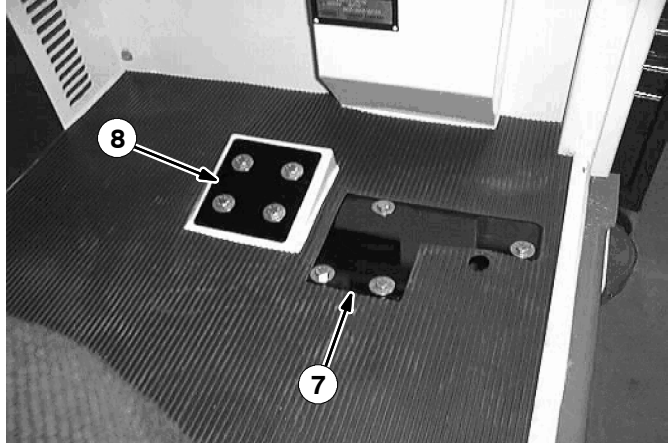
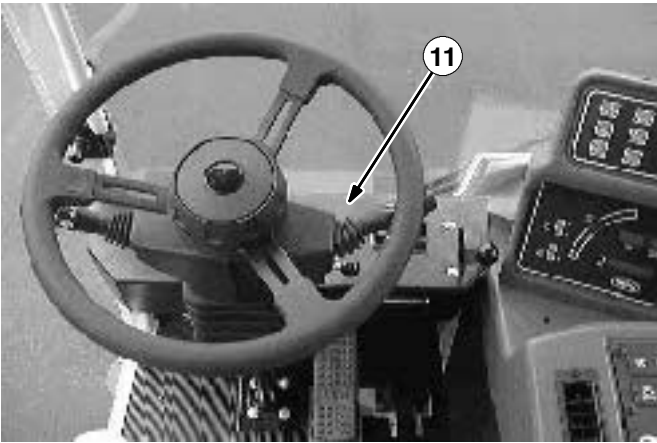
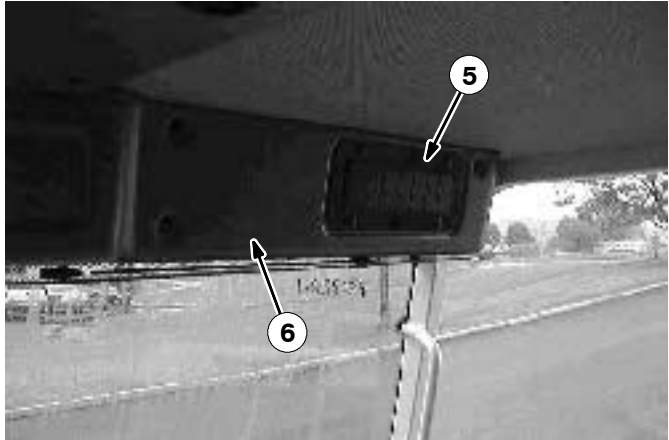
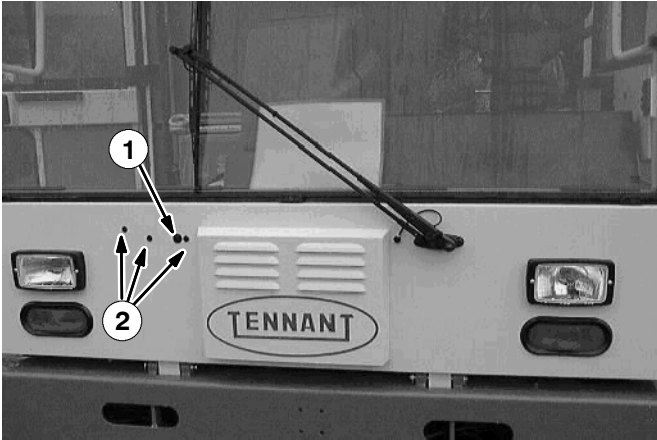


Fig. 19 - Left Hand Operator Group

Ref.	TENNANT Part No.	Machine Number	Serial	Description	Qty.
1	75428	(000000-)	Plugbtn .75H .03-.12 Blacknyl	1
2	768472	(000000-)	Plugbtn, 0.375H, .172, Blk	3
3	768421	(000000-)	Wiper Motor, 12V, Lh	1
4	768423	(000000-)	Bracket, Throttle, Lh	1
5	768445	(000000-)	Plate, Switch Blank	1
6	768469	(000000-)	Panel, Console Upper L.H.	1
7	768477	(000000-)	Cover, Floor Plate	1
8	768476	(000000-)	Cover, Steering Column	1
9	768422	(000000-)	Console, Steering, Lh	1
10	768496	(000000-)	Bracket, Steering Column, Lh	1
11	768811	(000000-)	Label, Set, Cab Lh	1

Fig. 20 - Cab Air Conditioner Heater Group

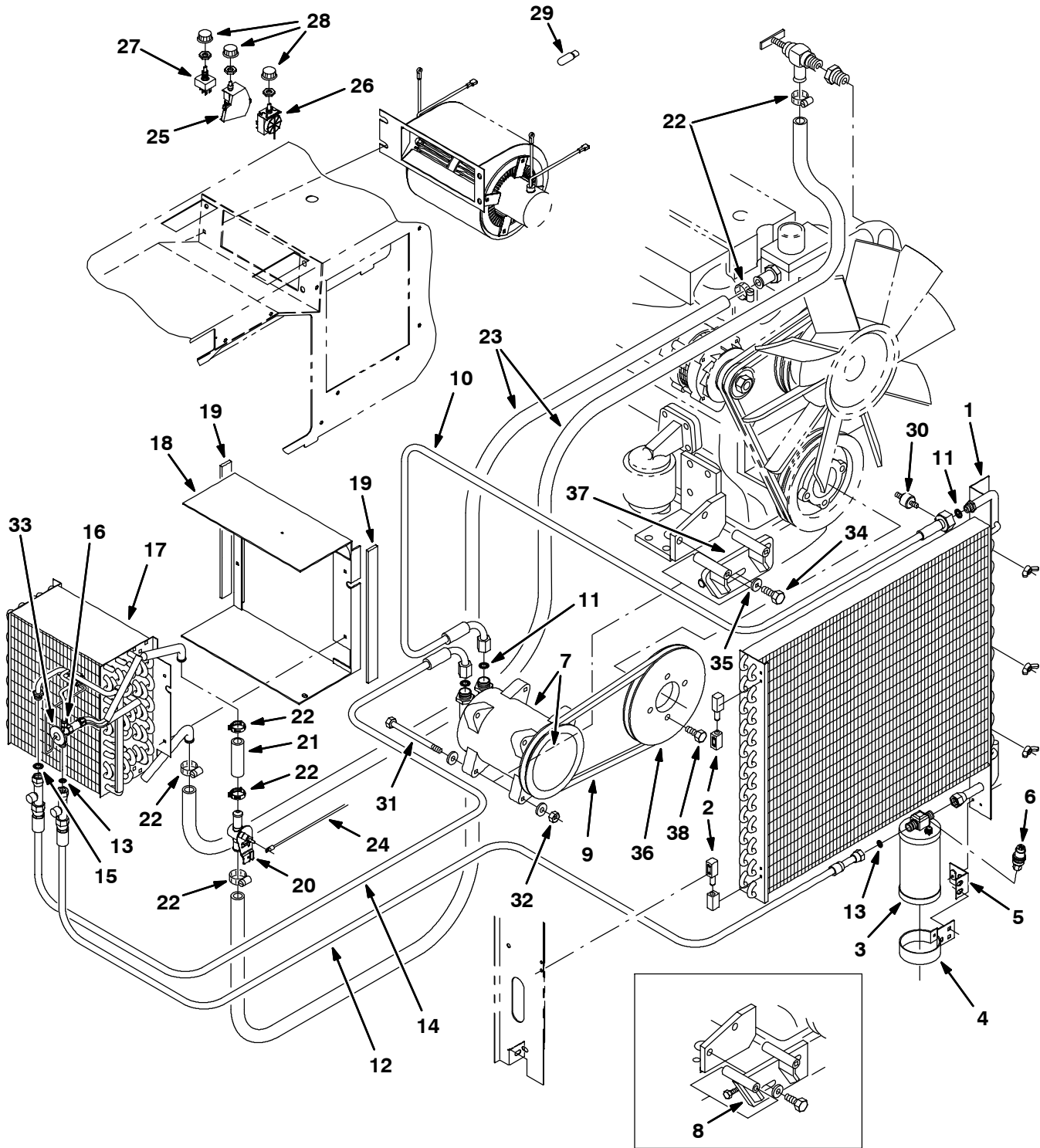


Fig. 20 - Cab Air Conditioner Heater Group

Ref.	TENNANT Part No.	Machine Number	Serial	Description	Qty.
1	768416	(000000-)	Coil, Condenser	1
2	761963	(000000-)	Hinge	2
3	769021	(000000-)	Dryer,Air-Cond	1
4	769029	(000000-)	Clamp, Receiver, Dryer	1
5	769030	(000000-)	Bracket, Receiver, Dryer	1
6	769042	(000000-)	Switch, Pressure	1
▽	7 769020	(000000-)	Compressor,Air-Cond	1
▲	769080	(000000-)	Clutch, Air-Cond	1
8	770009	(000000-004641)	Kit, Ci, Pulley, A/C	1
9	764209	(000000-)	Belt	1
10	767522	(000000-)	Hose,Ac	1
11	761961	(000000-)	Seal, Oring	2
12	767523	(000000-)	Hose,Ac	1
13	761960	(000000-)	Seal, Oring	2
14	767521	(000000-)	Hose,Ac	1
15	761962	(000000-)	Seal, Oring	2
16	761959	(000000-)	Seal, Oring	1
17	769023	(000000-)	Coil, Air-Cond, Heater	1
18	769039	(000000-)	Bracket, Coil	1
19	769040	(000000-)	Seal, Weatherstrip	2
20	761950	(000000-)	Valve, Water	1
21	769038	(000000-)	Hose, Heater	1
22	63810	(000000-)	Clamp, Wormdrive	6
23	769046	(000000-)	Hose, Heater	2
24	761946	(000000-)	Cable, Push-Pull	1
25	761927	(000000-)	Cable, Rotary Control Control, Cable, Rotary	1
26	764212	(000000-)	Switch, Cold Control	1
27	761924	(000000-)	Switch, Fan, 3-Speed	1
28	761926	(000000-)	Knob, Switch	3
29	222290	(000000-)	Diode, Electric Plug	1
30	82661	(000000-)	Isolator	3
31	763096	(000000-)	Bolt, M10x130	2
32	08166	(000000-)	Nut, Hex, Stover, M10 X 1.5	2
33	761965	(000000-)	Valve, Thermal Expansion	1
34	41346	(000000-)	Screw, Hex	2
35	763043	(000000-)	Washer, Bellville	2
36	769593	(000000-)	Pulley, Belt, V	2
37	770006	(004642-)	Bracket Wldt, Compressor, A/C	2
38	39663	(000000-)	Screw, Hex, .44-20 X 1.00, 5	4

Fig. 21 - Vacuum Wand Group

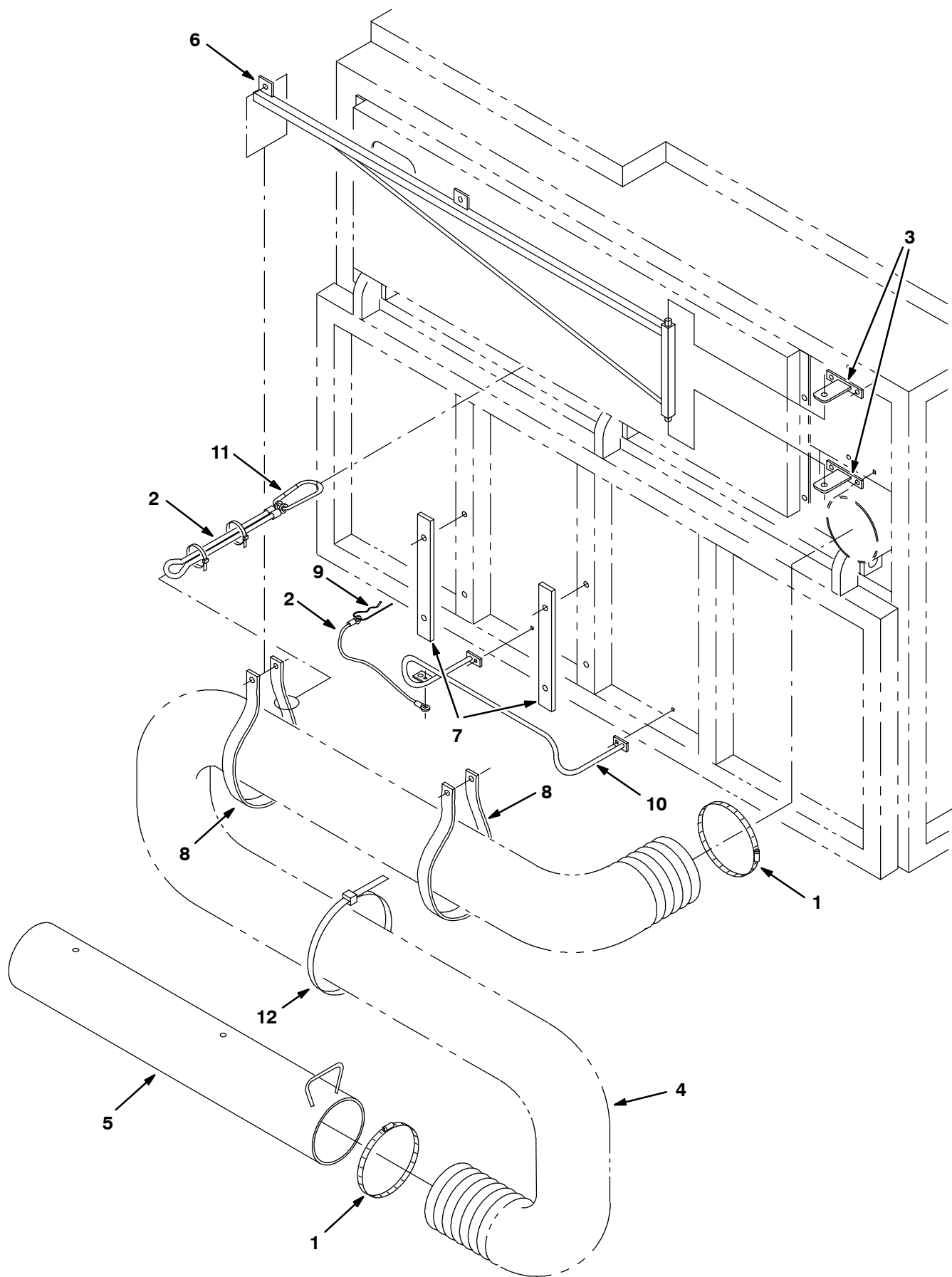


Fig. 21 - Vacuum Wand Group

Ref.	TENNANT Part No.	Machine Number	Serial	Description	Qty.
1	763212	(000000-)	Clamp, 6" Dia Bridge R.S.	2
2	57702	(000000-)	Cable, Door, Access	2
3	760507	(000000-)	Support, Vacuum Hose	2
4	760509	(000000-)	Hose, 6" Dia x 150 R.S.	1
5	760511	(000000-)	Nozzle, Vacuum Hose	1
6	760629	(000000-)	Boom, Vac Wand Hose	1
7	760640	(000000-)	Strip, Rub Nylon	2
8	760649	(000000-)	Strap, Vacuum Wand	2
9	763026	(000000-)	Pin,Hair Cotter 1.00D.178Wire	1
10	760991	(000000-)	Tube Wldt, Support, Rear	1
11	761233	(000000-)	Snap, Chain 0.25 Dia X 2.4	1
12	32815	(000000-)	Tie, Cable, Nyl, 28.5l .50w 8.0 Max D	4

Fig. 22 - Vacuum Wand Extension Group

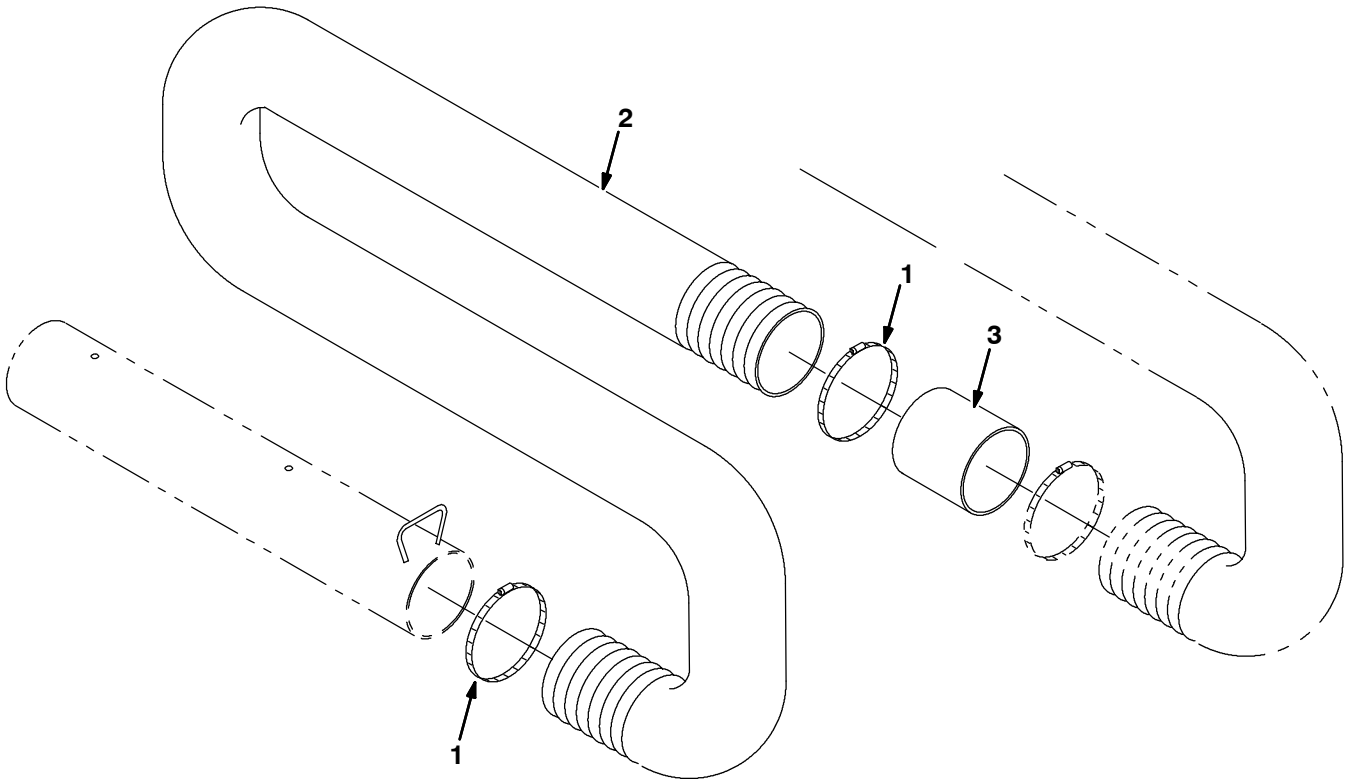


Fig. 22 - Vacuum Wand Extension Group

Ref.	TENNANT Part No.	Machine Number	Serial	Description	Qty.
1	763212	(000000-)	Clamp, 6" Dia Bridge R.S.	2
2	760509	(000000-)	Hose, 6" Dia x 150 R.S.	1
3	760665	(000000-)	Tube, Coupler Vac Wand	1

Fig. 23 - Vacuum Wand Door Group

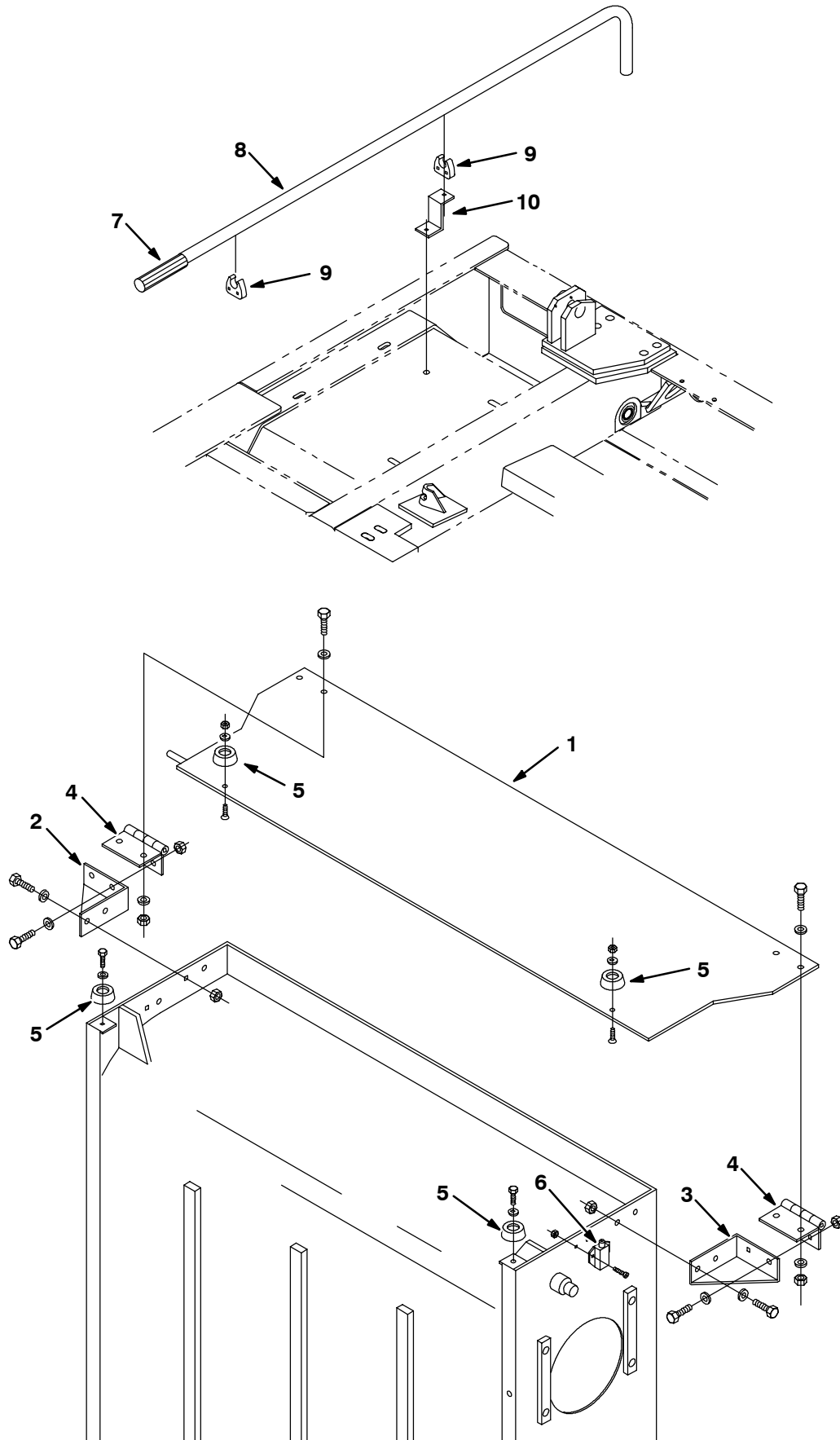
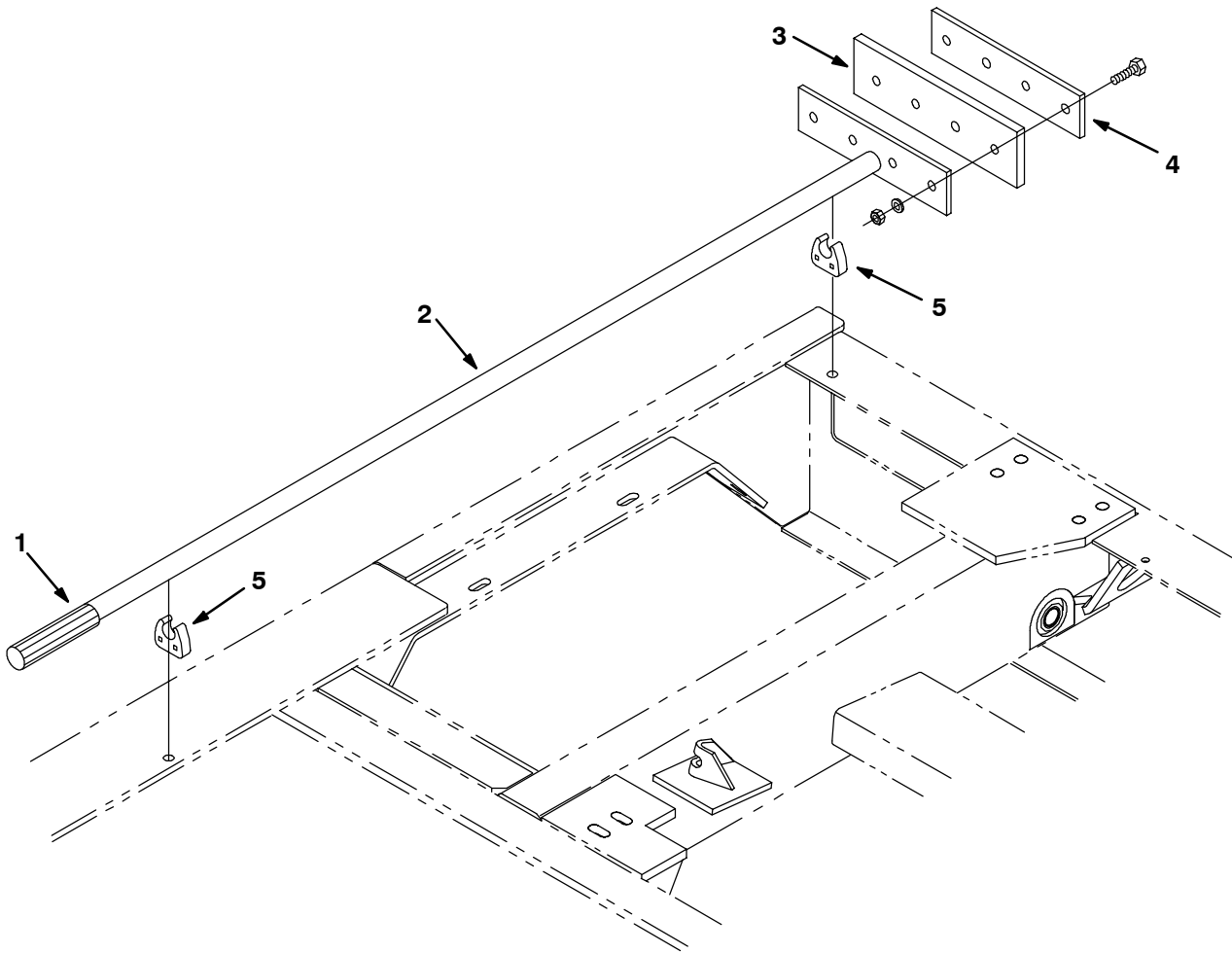


Fig. 23 - Vacuum Wand Door Group

Ref.	TENNANT Part No.	Machine Number	Serial	Description	Qty.
1	760726	(000000-)	Door, Weldt Vacuum Door	1
2	769063	(000000-)	Bracket, Hinge Mount, Rh	1
3	760727	(000000-)	Bracket, Hinge Mount Lh	1
4	760729	(000000-)	Hinge, Vacuum Wand Door	2
5	364614	(000000-)	Bumper, Rubber Recessed	4
6	762591	(000000-)	Switch, Micro	1
7	03292B	(000000-)	Grip, Handle-Rnd .72ld X 5.0L	1
8	760653	(000000-)	Tube, Vac Wand Door	1
9	760660	(000000-)	Clip,Finger Grip	2
10	760661	(000000-)	Bracket,Clip Mount	1

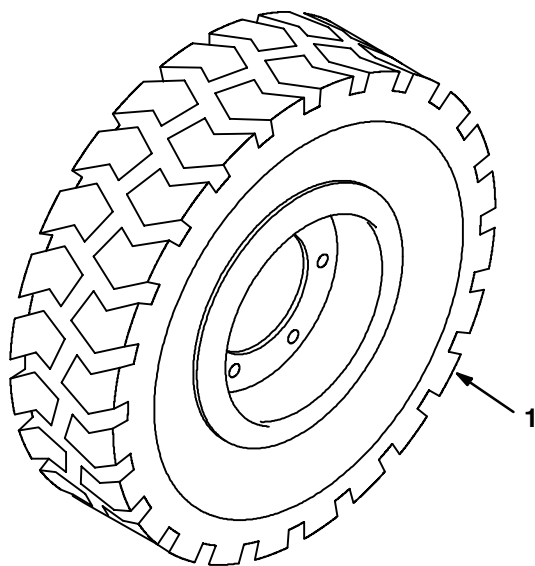
Fig. 24 - Hopper Cleanout Tool Kit



08705

Ref.	TENNANT Part No.	Machine Number	Serial	Description	Qty.
▽	760078	(000000-)	Hopper Cleanout Kit	1
▲▽	79518	(000000-)	Sludge Removal Tool Assy.	1
▲▲	1 03292B	(000000-)	Grip, Handle-Rnd .72ld X 5.0L	1
▲▲	2 79517	(000000-)	Handle Weldt.,Sludge Removal	1
▲▲	3 79515	(000000-)	Skirt,.25T3.0W11.0L 4/.31Hcomc	1
▲▲	4 79508-1	(000000-)	Strip,.11T2.5W10.0L 4/.31Hcomc	1
▲	5 760660	(000000-)	Clip,Finger Grip	2

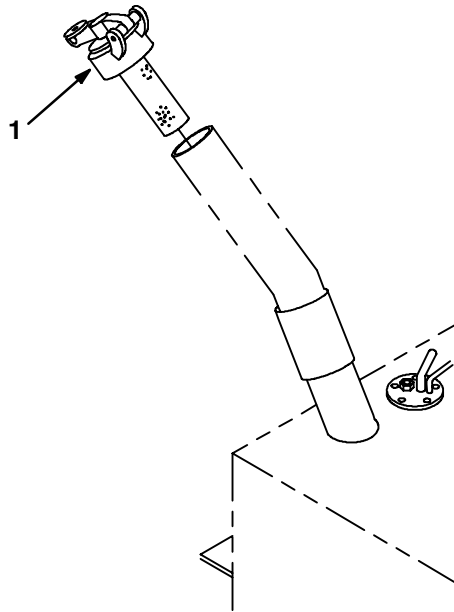
Fig. 25 - Foam Filled Tire Group



09208

Ref.	TENNANT Part No.	Machine Number	Serial	Description	Qty.
1	760105	(000000-)	Tire Assy, Foam Filled, (Bias Ply)	1
1	761795	(000000-)	Tire Assy, Foam Filled, (Radial)	1

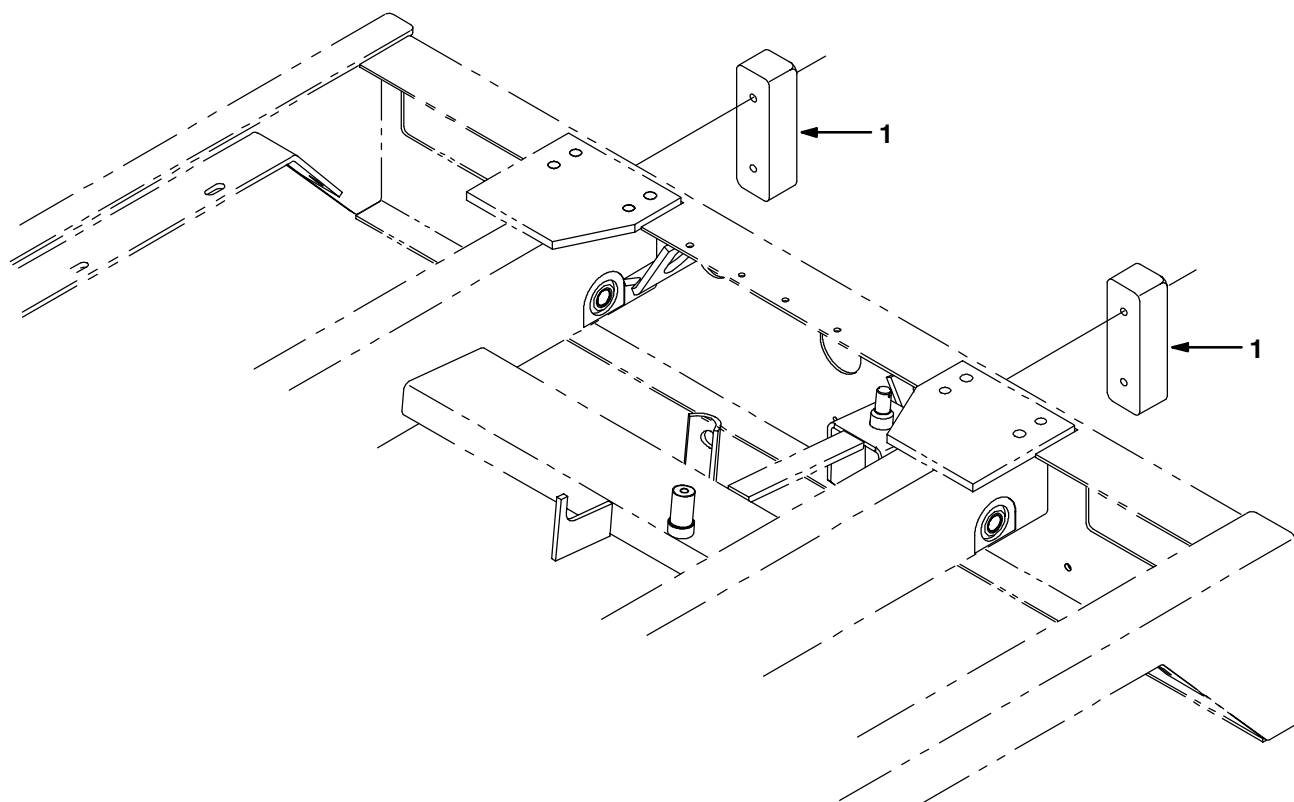
Fig. 26 - Protectoseal Fuel Cap Group



09209

Ref.	TENNANT Part No.	Machine Number	Serial	Description	Qty.
1	02506-6	(000000-)	Cap, Fuel, Protectoseal	1

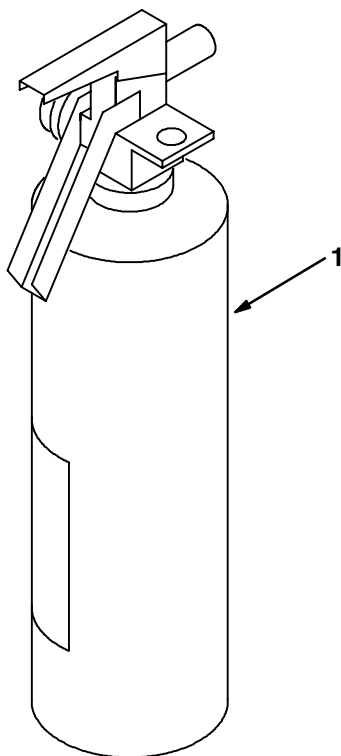
Fig. 27 - Rear Rubber Bumper Kit



351971

	Ref.	TENNANT Part No.	Machine Number	Serial	Description	Qty.
▽		760073	(000000-)	Rear Rubber Bumper Kit	1
▲	1	770504	(000000-)	Bumper, Rear Rubber	2

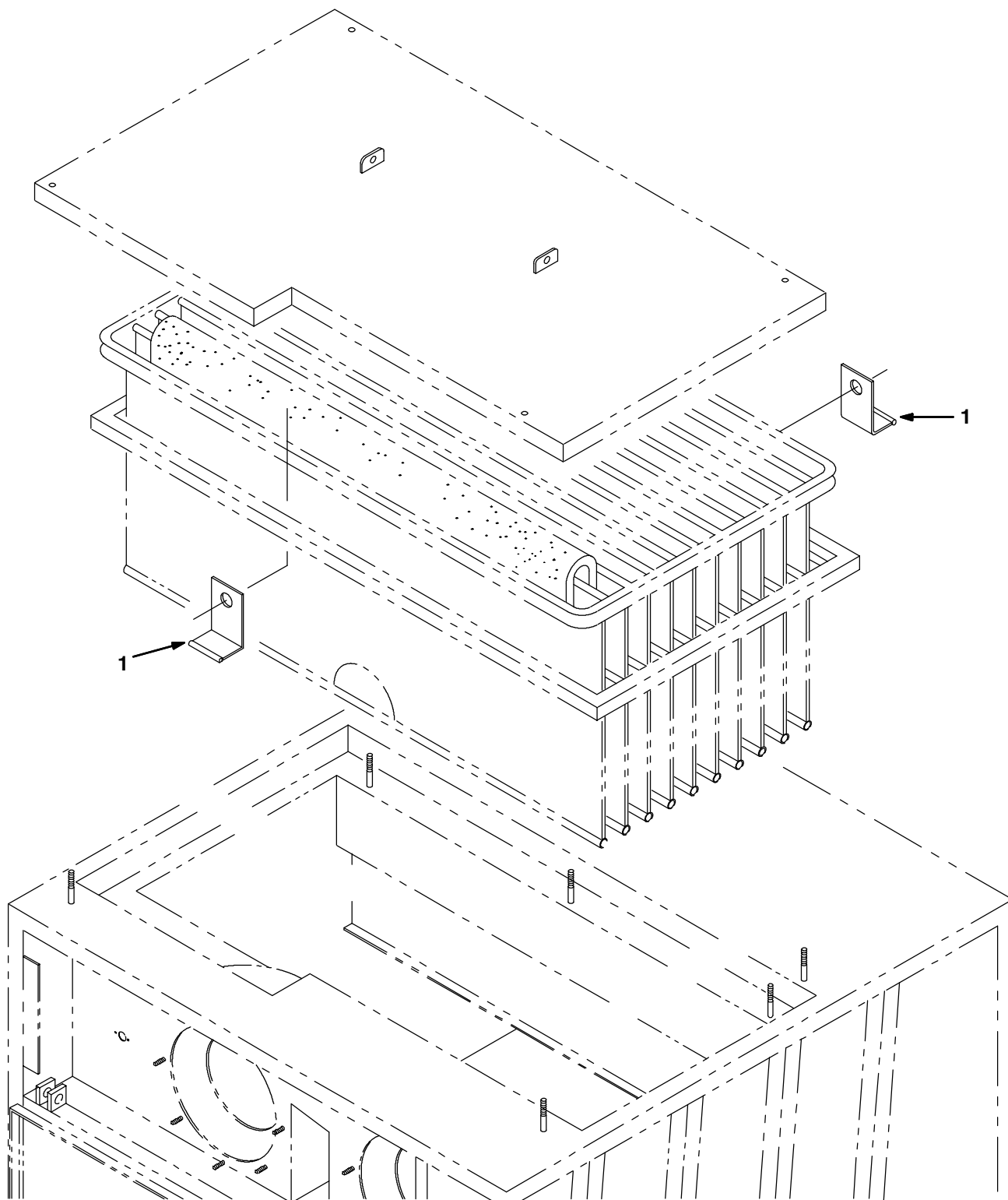
Fig. 28 - Fire Extinguisher Group



07516

Ref.	TENNANT Part No.	Machine Number	Serial	Description	Qty.
1	25312	(000000-)	Extinguisher, Fire	1

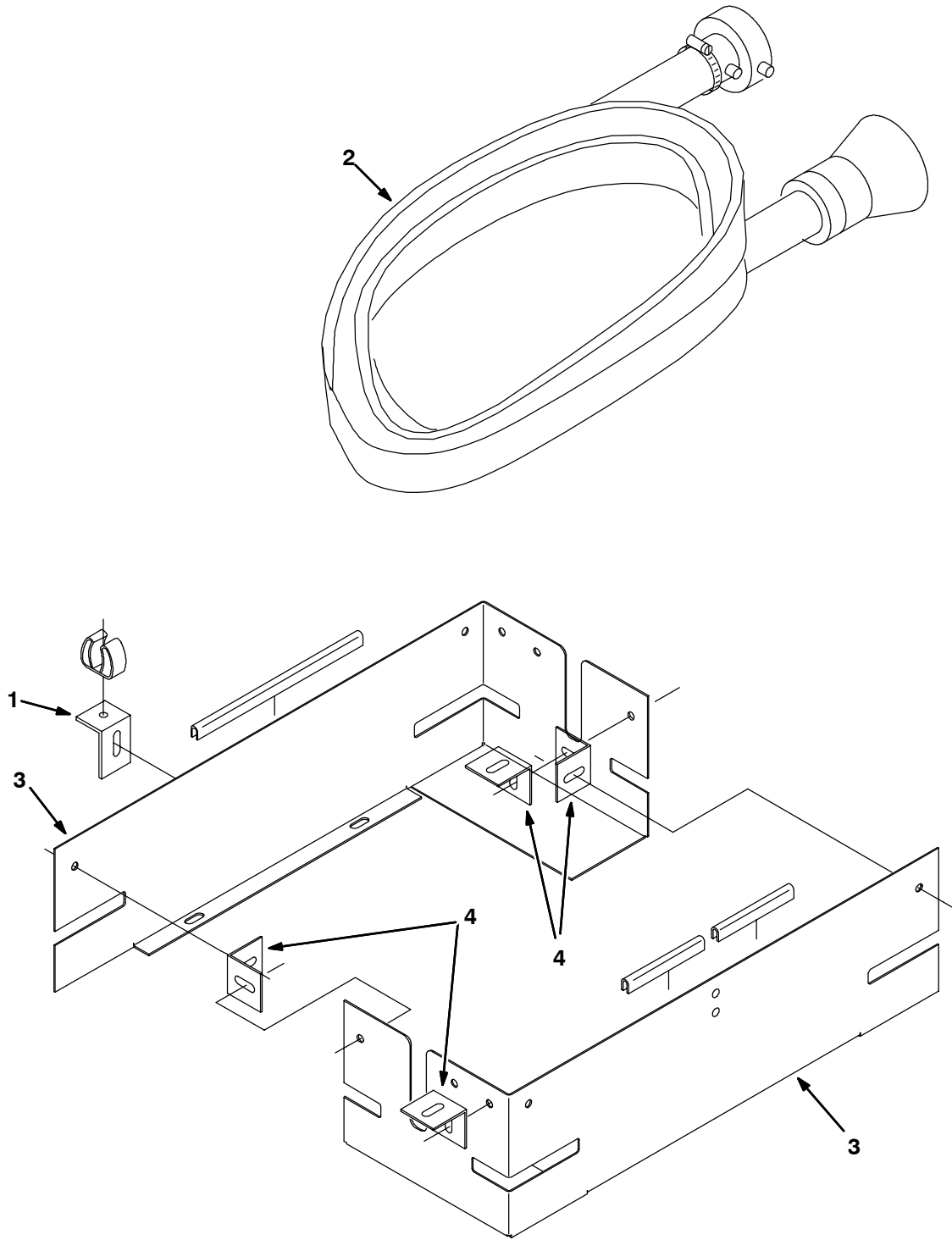
Fig. 29 - Filter Bag Lift Kit



10953

Ref.	TENNANT Part No.	Machine Number	Serial	Description	Qty.
▽	761501	(000000-)	Lift Kit, Filter Bag	1
▲	1 761791	(000000-)	Angle, Weld't, Filterbag Lift	2

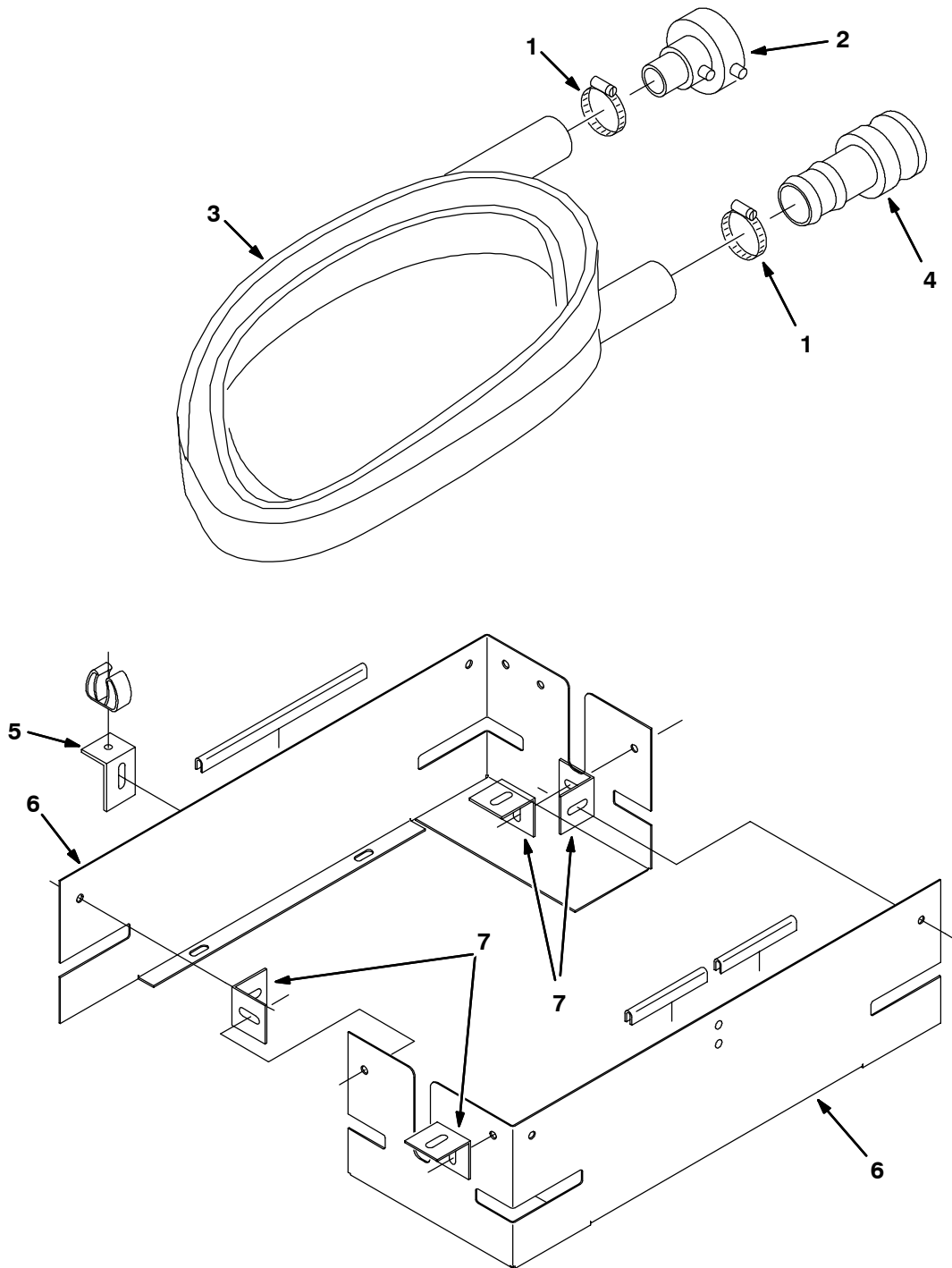
Fig. 30 - Hydrant Wash Down Group



351223

Ref.	TENNANT Part No.	Machine Number	Serial	Description	Qty.
1	760672	(000000-)	Angle	1
2	762253	(000000-)	Hose Assy	1
3	768310	(000000-)	Plate, Tool Holder	2
4	762297	(000000-)	Angle	4

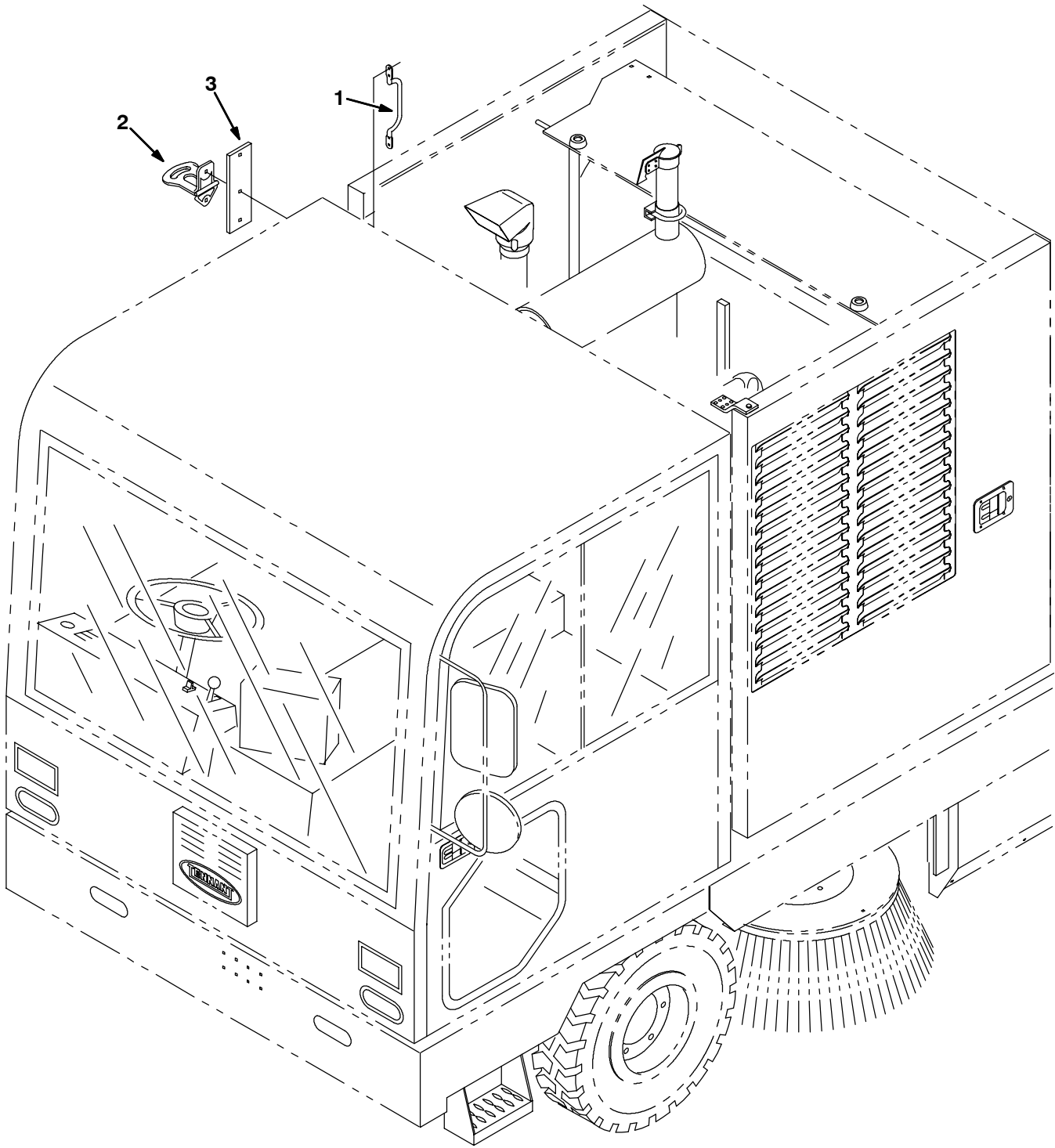
Fig. 31 - Hydrant Hose Group



09207

Ref.	TENNANT Part No.	Machine Number	Serial	Description	Qty.
1	762207	(000000-)	Clamp, 1.25-2.12 Dia Power Gear	2
2	762201	(000000-)	Coupling, Tank Fill Hose	1
3	762210	(000000-)	Hose, Water Fill	1
4	768322	(000000-)	Adaptor, Cam Coupler	1
5	760672	(000000-)	Angle	1
6	768310	(000000-)	Plate, Tool Holder	2
7	762297	(000000-)	Angle	4

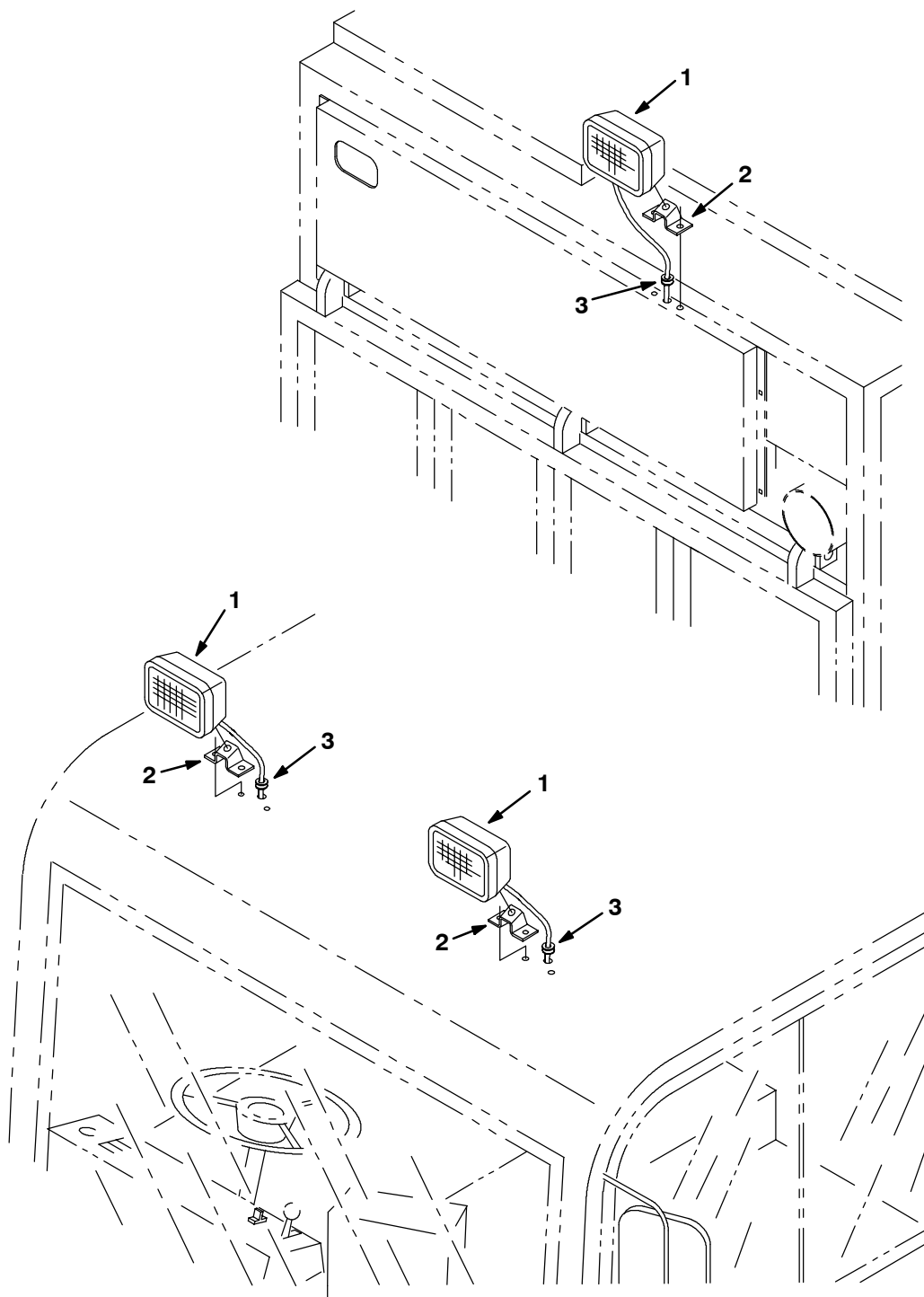
Fig. 32 - Engine Access Step Kit



351990

Ref.	TENNANT Part No.	Machine Number	Serial	Description	Qty.
▽	760143	(000000-)	Engine Access Step Kit	1
▲	1 32822	(000000-)	Handle, Grab	1
▲	2 761525	(000000-)	Step, Large Folding	1
▲	3 761526	(000000-)	Sitrip, Large Step	1

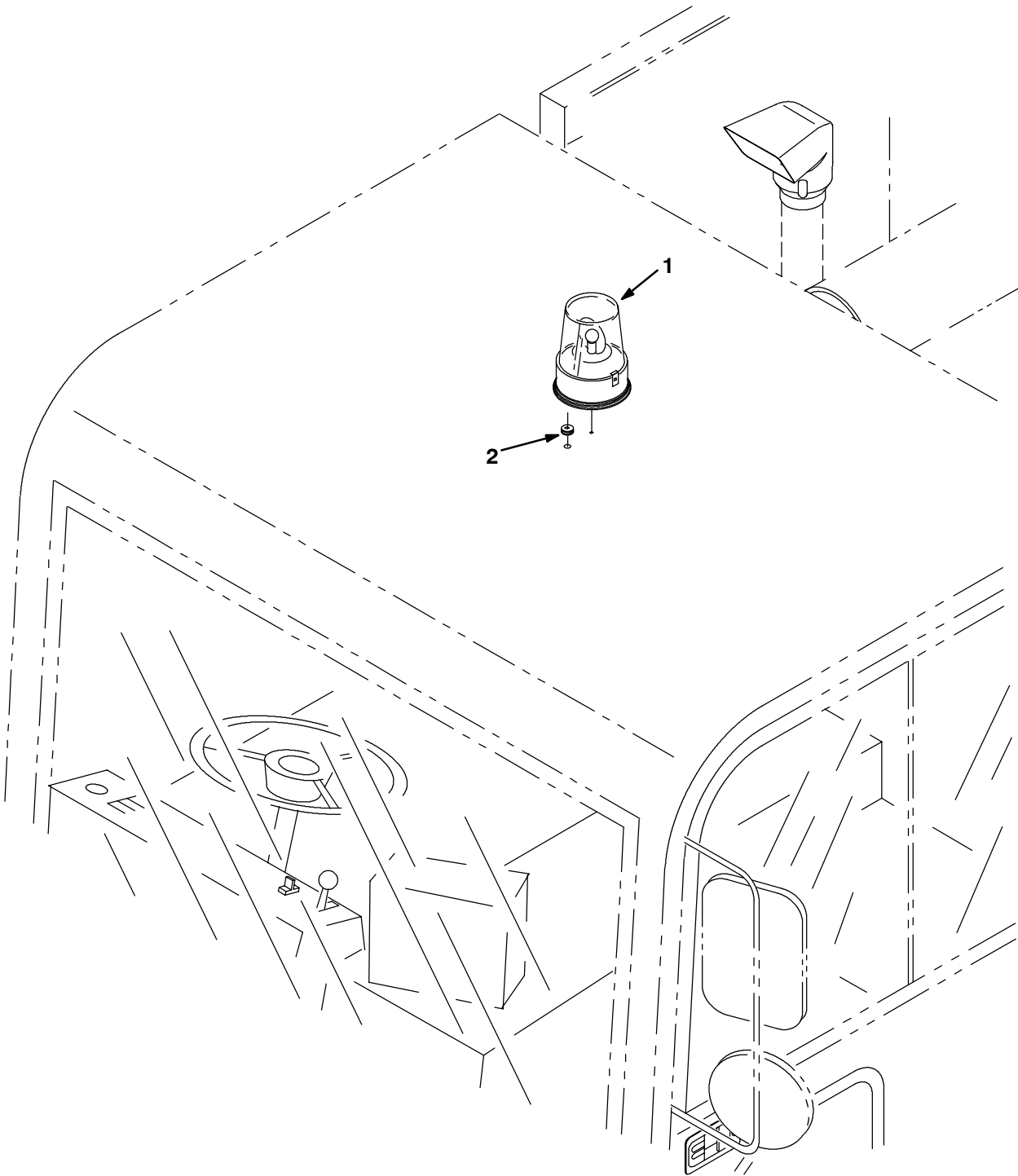
Fig. 33 - Night Light Kit



352008

Ref.	TENNANT Part No.	Machine Number	Serial	Description	Qty.
▽	765293	(000000-)	Light Kit, Halogen Night	1
▲▽	1 768555	(000000-)	Light, Halogen Flood	3
▲▲	768606	(000000-)	Lamp, Flood, Halogen	3
▲	2 762572	(000000-)	Bracket, Light, Night Sweeping	3
▲	3 10632-11	(000000-)	Grommet,Rbr,0.38Id,For .19Matl	2
▲	768612	(000000-)	Switch Kit, Spst	2
▲	762514	(000000-)	Fuse, 15Amp	1

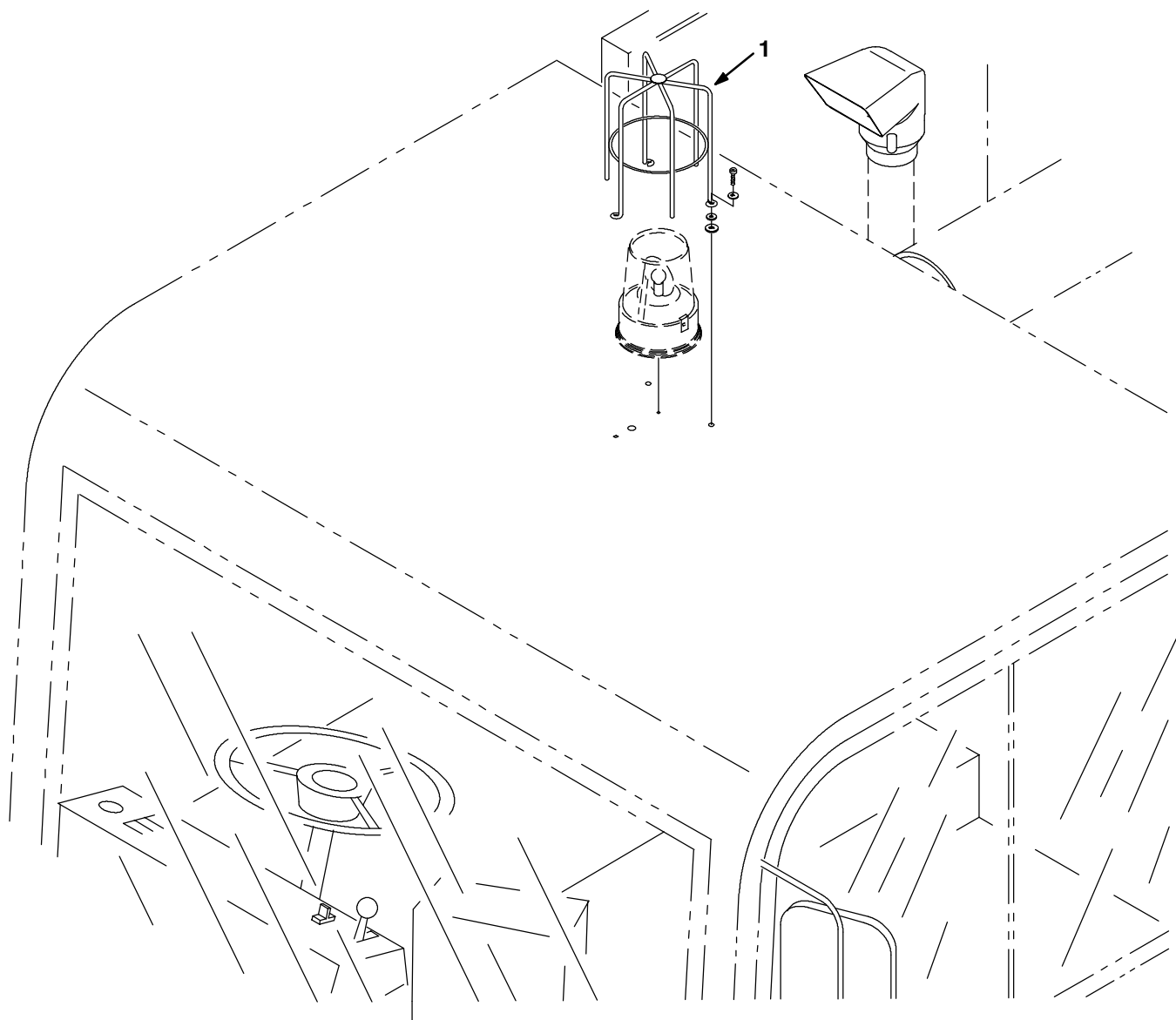
Fig. 34 - Cab Rotating Light Kit



353286

Ref.	TENNANT Part No.	Machine Number	Serial	Description	Qty.
▽	765284	(000000-)	Lamp Assembly, Rotating, Cab	1
▲▽	1 768598	(000000-)	Lamp Assembly, Rotating	1
▲▲	367946	(000000-)	Lens, Amber, Light, Revl	1
▲▲	768605	(000000-)	Lamp, 12VDC, 55 Watt, Halogen	1
2	10632-11	(000000-)	Grommet	1

Fig. 35 - Brush Guard Kit



353285

Ref.	TENNANT Part No.	Machine Number	Serial	Description	Qty.
▽	765269	(000000-)	Kit, Guard, Brush	1
▲▽ 1	768604	(000000-)	Guard, Rotating Lamp	1

Fig. 36 - Radio Tape Deck Kit

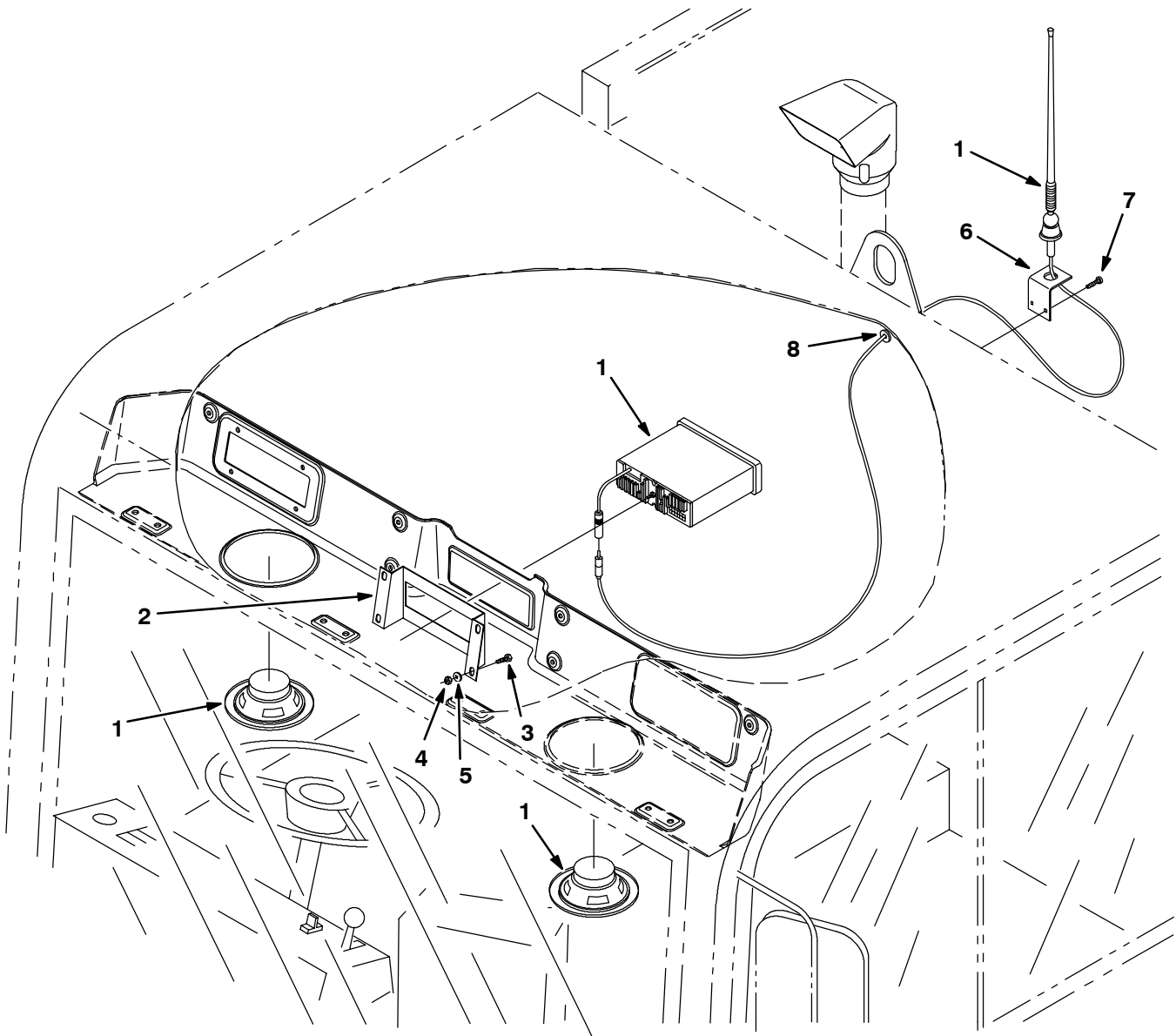


Fig. 36 - Radio Tape Deck Kit

	Ref.	TENNANT Part No.	Machine Number	Serial	Description	Qty.
▽		765292	(000000-)	Kit, Radio, Tape Deck	1
▲	1	768486	(000000-)	Kit, Radio	1
▲	2	768435	(000000-)	Bracket, Mtg, Radio	4
▲	3	06942	(000000-)	Screw, Hex M06x1.0x16	4
▲	4	08708	(000000-)	Nut, Hex, Lock, M06x1.0	4
▲	5	19066	(000000-)	Washer, Flt	1
▲	6	768438	(000000-)	Bracket, Antenna	2
▲	7	12459	(000000-)	Screw, Hex M06x1.0x20	1
▲	8	10632-11	(000000-)	Grommet	1
▲		25831	(000000-)	Connector	3
▲		78951	(000000-)	Terminal, Metripk280, Fem 16	3
▲		10917	(000000-)	Seal	1
▲		78954	(000000-)	Connector, Wire Lock	4
▲		49247	(000000-)	Terminal	1
▲		762513	(000000-)	Fuse	1

Fig. 37 - Auto-Lube System Group

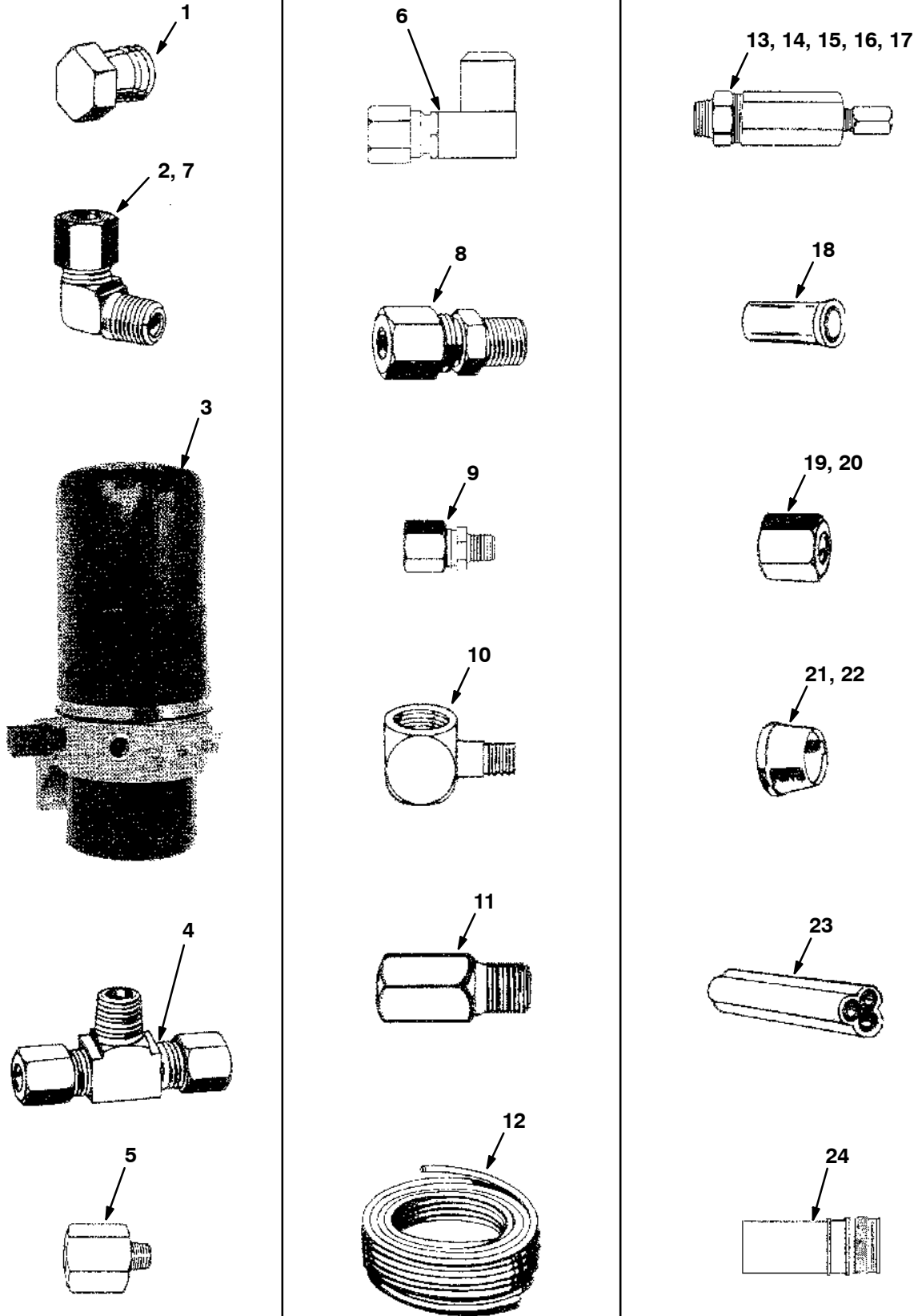
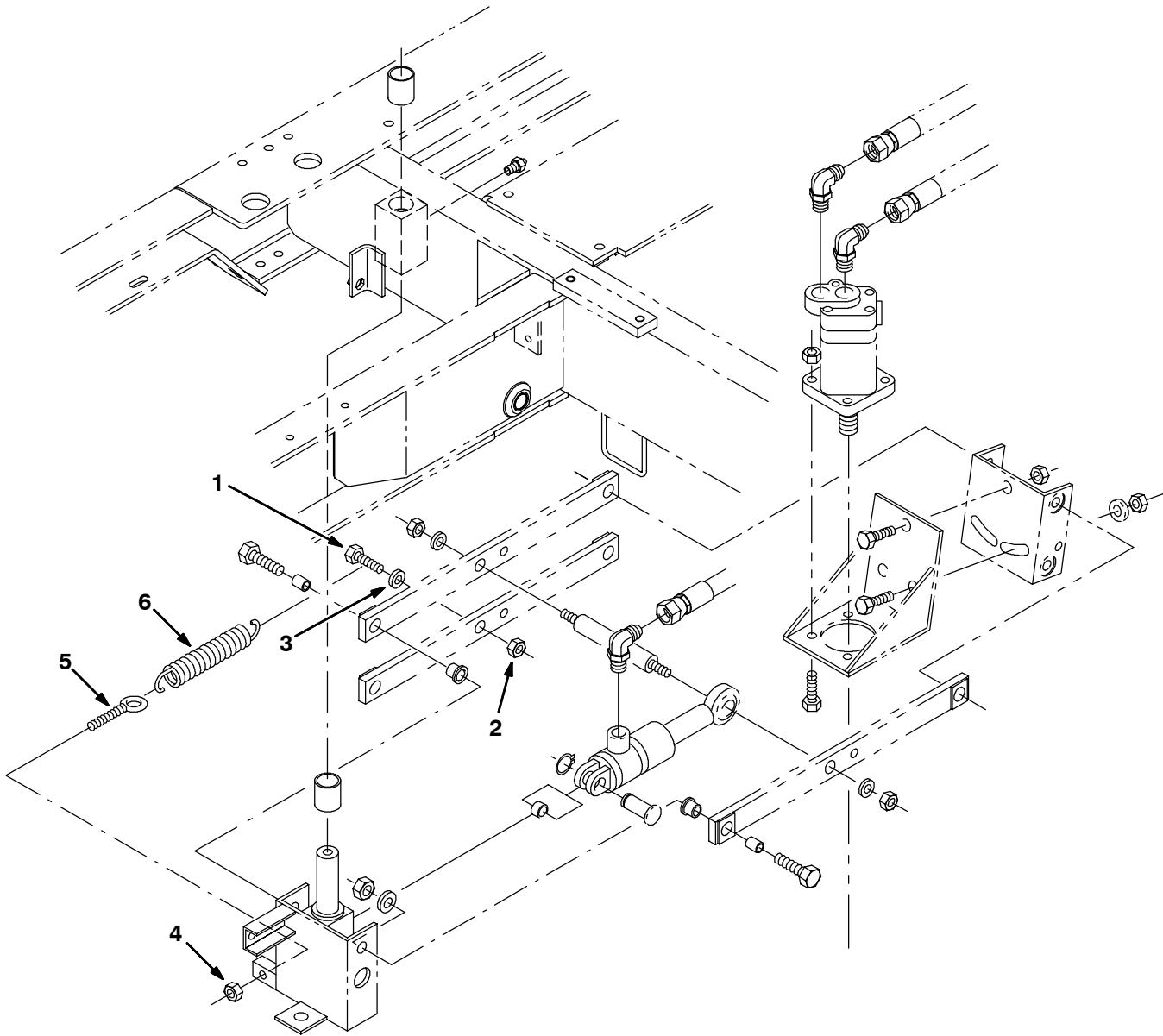


Fig. 37 - Auto-Lube System Group

Ref.	TENNANT Part No.	Machine Number	Serial	Description	Qty.
1	761741	(000000-)	Fitting, Plug	1
2	761742	(000000-)	Fitting, Elbow	1
3	761744	(000000-)	Pump, Assy Lubrication	1
	770035	(000000-)	Reservoir, Grease, 10lbs	1
4	761748	(000000-)	Fitting, Brass, Tee	1
5	761752	(000000-)	Fitting, Pipe, Str 02pm-.25-28sae	1
6	761753	(000000-)	Fitting, E90 Snap	1
7	761754	(000000-)	Fitting, Brass, E90 02pm-03com	1
8	761755	(000000-)	Fitting, Brass, Str 02pm-03com	1
9	761756	(000000-)	Fitting, Brass, Str 03com-.25-28sae	1
10	761757	(000000-)	Fitting, Brass, E90 02pm-.25-28sae	1
11	761758	(000000-)	Fitting, Pipe, Str 02pm-02pf	1
12	761759	(000000-)	Tube, Plstc 5/16 Od	1
13	761761	(000000-)	Valve, Metering #0	1
14	761762	(000000-)	Valve, Metering #1	1
15	761763	(000000-)	Valve, Metering #2	1
16	761781	(000000-)	Valve, Metering #3	1
17	761782	(000000-)	Valve, Metering #8	1
18	761783	(000000-)	Sleeve, Brass 05com	1
19	761784	(000000-)	Nut, Brass 03com	1
20	761785	(000000-)	Nut, Brass 05com	1
21	761786	(000000-)	Sleeve, Ferrule .188 Dia	1
22	761787	(000000-)	Sleeve, Ferrule .312	1
23	761790	(000000-)	Tube, Plstc, W/Grease .188 Od X 15 Ft	1
24	761595	(000000-)	Fitting, Qf	1
	761743	(000000-)	Fitting, Stud	1
	761788	(000000-)	Timer	1
	761745	(000000-)	Cable, Power	1
	761746	(000000-)	Plug, Outlet	1
	761747	(000000-)	Fitting, Plug	1
	761749	(000000-)	Fitting, Str	1
	761750	(000000-)	Fitting, Str, Nipple Npt	1
	761751	(000000-)	Fitting, Brass, E90	1
	761789	(000000-)	Valve, Relief	1
	770646	(000000-)	'Fitting, Tube, Union	1
	770149	(000000-)	Label, Blank, 08.5 X 11.0 Clr Poly	1
	769090	(000000-)	Grease, Gen Purpose, EP 35lbs 5 gal. Pail	1

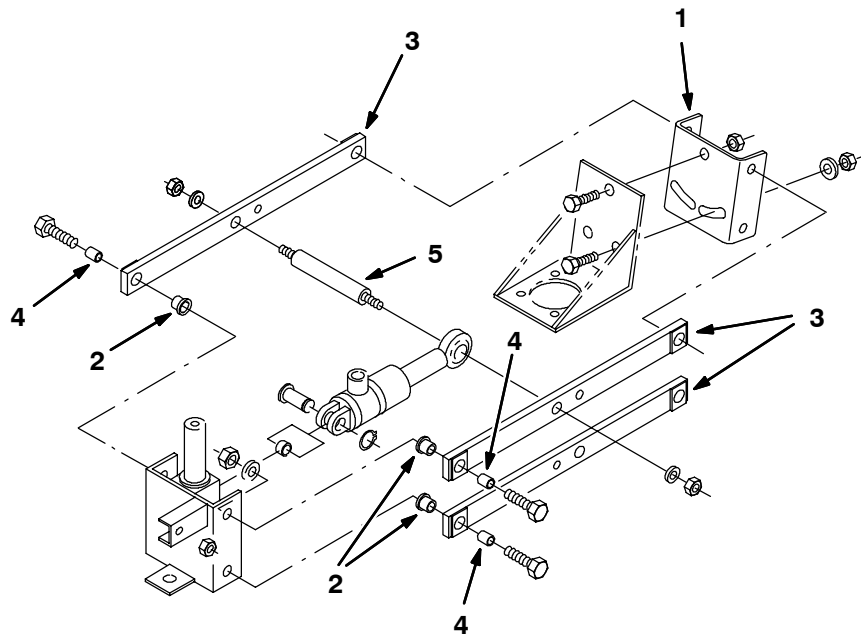
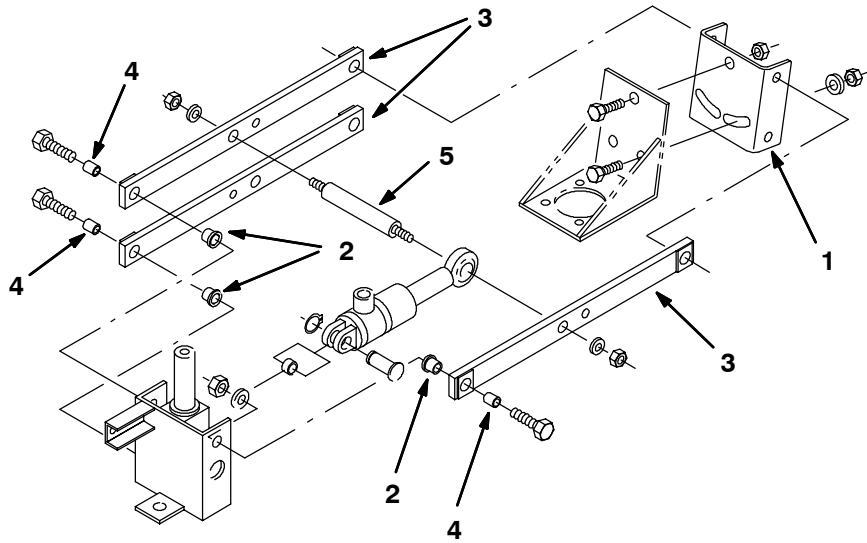
Fig. 38 - Side Brush Spring Kit



353152

Ref.	TENNANT Part No.	Machine Number	Serial	Description	Qty.
▽	760107	(000000-)	Spring Kit, Side Brush	1
▲	1 06969	(000000-)	Screw Hex M12X1.75X40	1
▲	2 08711	(000000-)	Nut HxLocNyIn M12X1.75	1
▲	3 32486	(000000-)	Washer Flt .50 SAE	2
▲	4 32985	(000000-)	Nut HxLocNyIn .50-13 Std.	1
▲	5 761225	(000000-)	Eyebolt, .50-13X3.5"	1
▲	6 761235	(000000-)	Spring, Tension 30X5.5X149	1

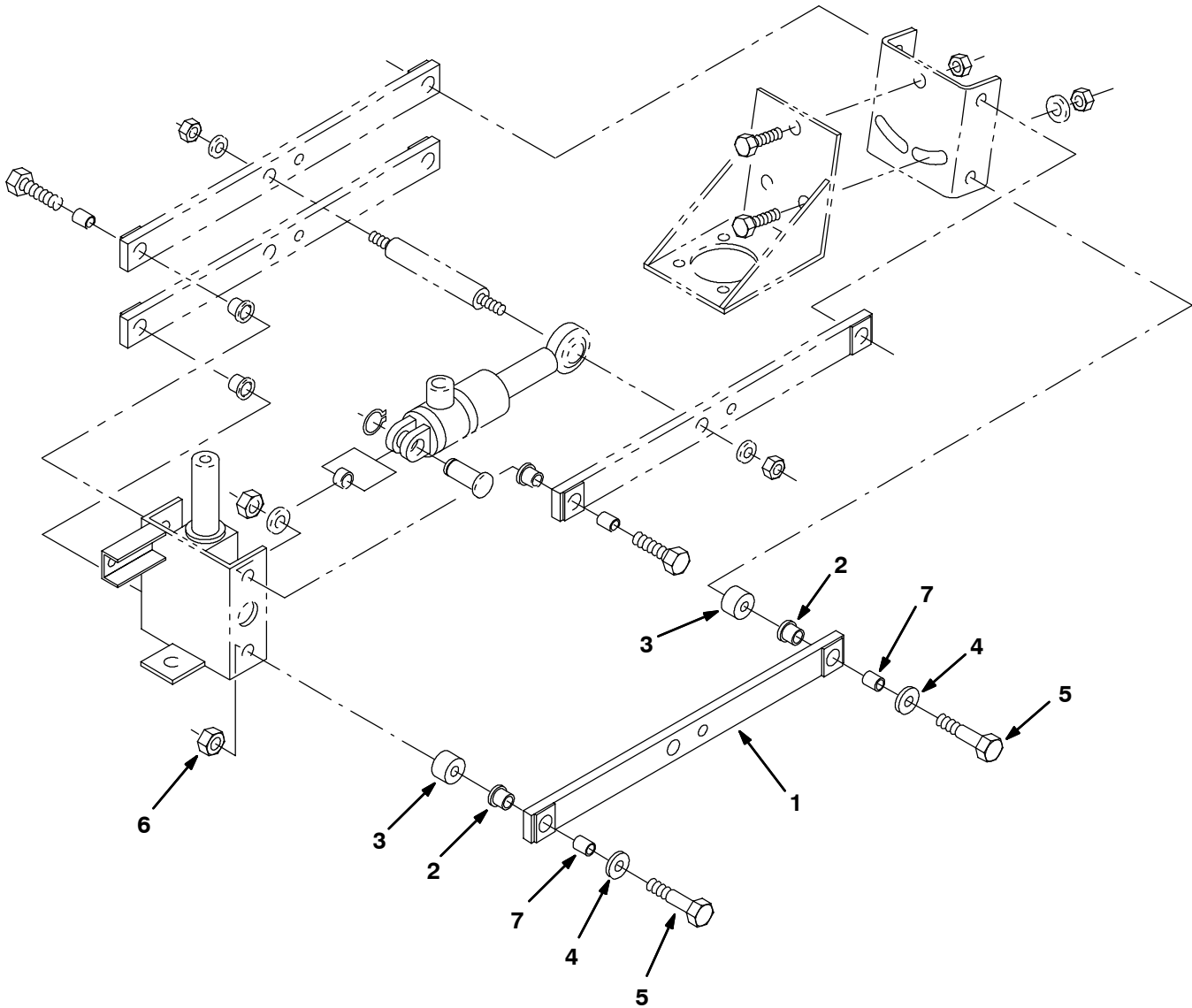
Fig. 39 - Side Brush Linkage Kit



353883

Ref.	TENNANT Part No.	Machine Number	Serial	Description	Qty.
▽	767642	(000000-)	Kit, Ci, Linkage, Brush, Side	1
▲	1 768834	(000000-)	Channel Wldt, Lower Support	1
▲	2 767641	(000000-)	Bushing, Flng, 0.63b 0.82d 0.75l, Bnz	1
▲	3 768836	(000000-)	Bar Wldt, Brush Support	1
▲	4 768842	(000000-)	Tube, 00.62d 00.47b 00.8l Stl	1
▲	5 767644	(000000-)	Shaft, Side Brush	1

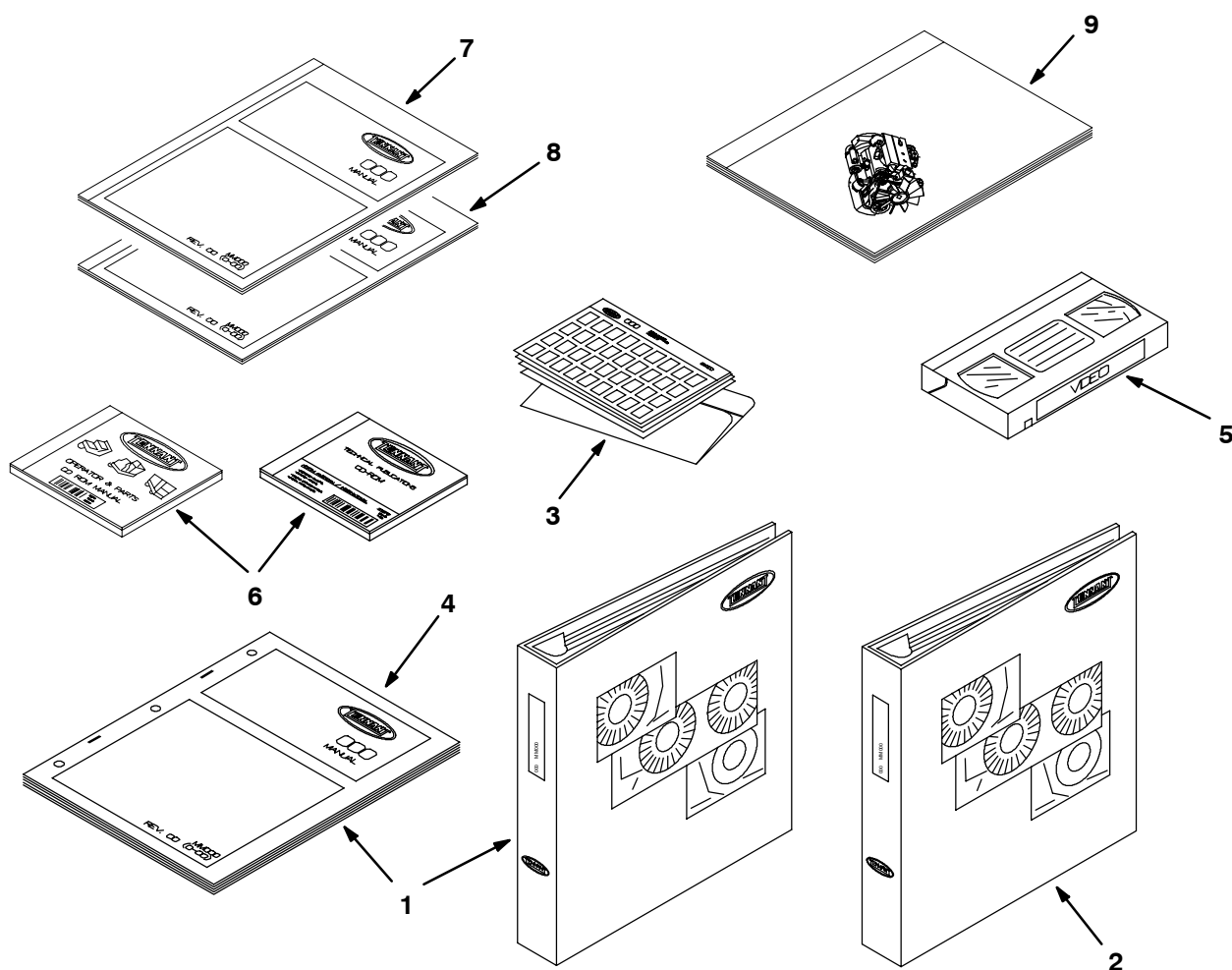
Fig. 40 - Fourth Bar Linkage Kit



353884

Ref.	TENNANT Part No.	Machine Number	Serial	Description	Qty.
▽	769590	(000000-)	Kit, Ci, Linkage, Brush, Side	1
▲	1 768836	(000000-)	Bar Wldt, Brush Support	2
▲	2 767641	(000000-)	Bushing, Flng, 0.63b 0.82d 0.75l, Bnz	2
▲	3 769589	(000000-)	Spacer	2
▲	4 32486	(000000-)	Washer, Flat, .50 Sae	2
▲	5 06973	(000000-)	Screw, Hex, M12 X 1.75 X 70, 8.8	2
▲	6 08167	(000000-)	Nut, Hex, Stover, M12 X 1.75	2
▲	7 768842	(000000-)	Tube, 00.62d 00.47b 00.8l Stl	2

Fig. 41 - Documentation Group



07501 - NA

Ref.	TENNANT Part No.	Machine Number	Serial	Description	Qty.
1	330430	(000000-)	Manual Pkg 830II	1
2	330435	(000000-)	Service Manual Pkg 830	1
3	330431	(000000-)	Manual-Fiche Pkg 830	1
4	330432	(000000-)	Manual Op/Mt 830 Spanish	1
4	330433	(000000-)	Manual Op/Mt 830 French	1
5	765261	(000000-)	830 Oper/Video VHS	1
5	765262	(000000-)	830 Oper/Video PAL	1
6	330710	(000000-)	Manual, CD-ROM, Optrs&Parts, All (NA)	1
6	330715	(000000-)	Manual, CD-ROM, Service	1
7	330492	(000000-)	Cummins, 4 Cylinder Engine Breakdown	1
8	330493	(000000-)	Cummins, 6 Cylinder Engine Breakdown	1
9	330728	(000000-)	Manual, Engine Perkins ES	1

SECTION 4

Contents	Page	Contents	Page
Fig. 1 - Hydraulic Piston Motor Breakdown, 767200	4-2	Fig. 27 - Hydraulic Solenoid Valve Breakdown, 767208	4-52
Fig. 2 - Hydraulic Piston Motor Breakdown, 762136	4-6	Fig. 28 - Hydraulic Solenoid Valve Breakdown, 767215	4-54
Fig. 3 - Hydraulic Gear Pump Breakdown, 762024	4-8	Fig. 29 - Hydraulic Solenoid Valve Breakdown, 767207	4-56
Fig. 4 - Hydraulic Steering Valve Breakdown, 762018	4-9	Fig. 30 - Hydraulic Solenoid Valve Breakdown, 768883	4-58
Fig. 5 - Hydraulic Motor Breakdown, 767020 ..	4-10	Fig. 31 - Hydraulic Motor Breakdown, 762032 ..	4-60
Fig. 6 - Hydraulic Motor Breakdown, 762035 ..	4-11		
Fig. 7 - Hydraulic Gear Motor Breakdown, 762058	4-12		
Fig. 8 - Hydraulic Gear Motor Breakdown, 762059	4-14		
Fig. 9 - Hydraulic Motor Breakdown, 762045 ..	4-16		
Fig. 10 - Rear Axle And Spindle Breakdown ...	4-18		
Fig. 11 - Rear Axle Wheel Hub and Brake Breakdown	4-20		
Fig. 12 - Front Axle And Spindle Breakdown ...	4-22		
Fig. 13 - Front Axle Wheel Hub and Brake Breakdown	4-24		
Fig. 14 - Front Axle Differential Breakdown	4-26		
Fig. 15 - Parking Brake Breakdown	4-28		
Fig. 16 - Front Axle CV Joint Breakdown	4-30		
Fig. 17 - Cat Pump Breakdown	4-32		
Fig. 18 - Hydraulic Solenoid Valve Breakdown, 767218	4-34		
Fig. 19 - Hydraulic Solenoid Valve Breakdown, 767007	4-36		
Fig. 20 - Hydraulic Solenoid Valve Breakdown, 767007 (For High Dump Hopper Lift Option) ..	4-38		
Fig. 21 - Hydraulic Solenoid Valve Breakdown, 768899	4-40		
Fig. 22 - Hydraulic Solenoid Valve Breakdown, 768899 (For High Dump Hopper Lift Option) ..	4-42		
Fig. 23 - Hydraulic Solenoid Valve Breakdown, 767008	4-44		
Fig. 24 - Hydraulic Solenoid Valve Breakdown, 767009	4-46		
Fig. 25 - Hydraulic Solenoid Valve Breakdown, 767220 (For Standard R.H. Side Brush)	4-48		
Fig. 26 - Hydraulic Solenoid Valve Breakdown, 767220 (For Standard L.H. Side Brush)	4-50		

Fig. 1 - Hydraulic Piston Motor Breakdown, 767200

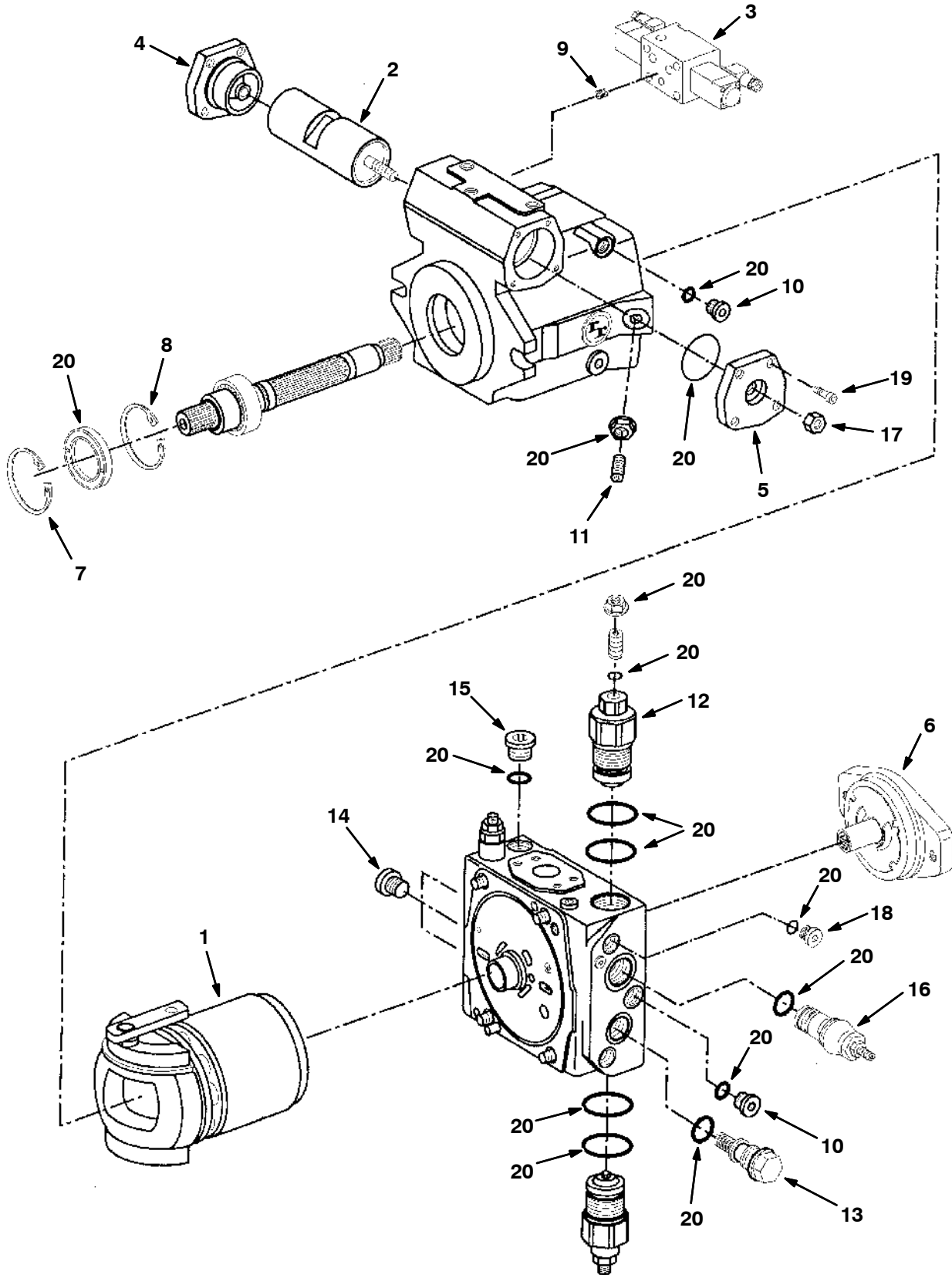


Fig. 1 - Hydraulic Piston Motor Breakdown, 767200

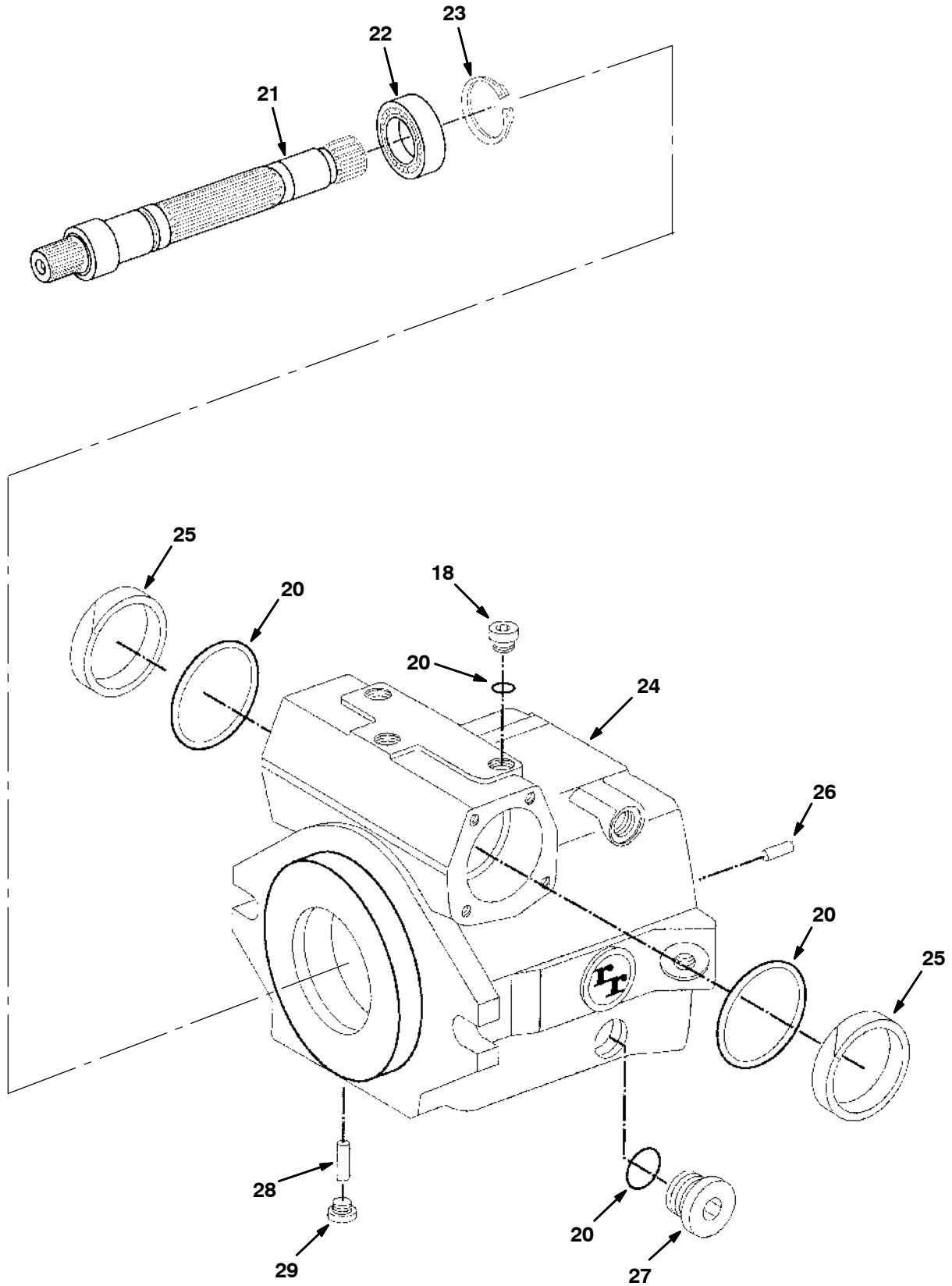


Fig. 1 - Hydraulic Piston Motor Breakdown, 767200

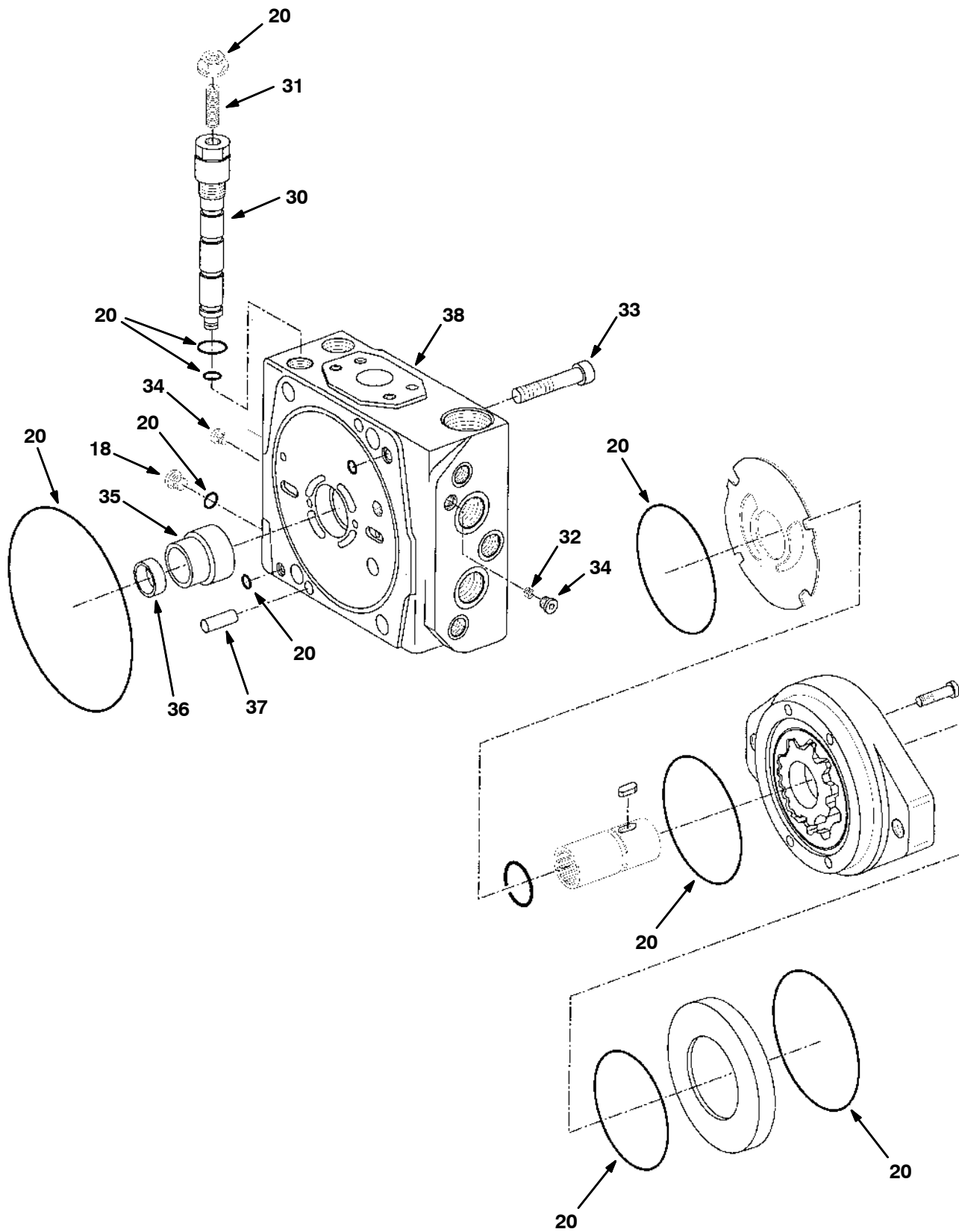


Fig. 1 - Hydraulic Piston Pump Breakdown, 767200

Ref.	TENNANT Part No.	Manufacturer Serial Number	Description	Qty.
▽	767200	(000000-) Pump, Piston, Rexroth	1
▲	1 763521	(000000-) Rotary Group	1
▲	2 763527	(000000-) Stroking Piston Assembly	1
▲	3 763931	(000000-) DA Control Assembly	1
▲	4 763535	(000000-) Stroking Piston Cover	1
▲	5 763536	(000000-) Stroking Piston Cover	1
▲	6 763537	(000000-) Thru Drive Charge Pump Assembly	1
▲	7 763538	(000000-) Snap Ring	1
▲	8 763934	(000000-) Snap Ring	1
▲	9 763943	(000000-) Orifice (0.8 mm)	1
▲	10 13904	(000000-) Plug	2
▲	11 763443	(000000-) Eccentric Screw	1
▲	12 763539	(000000-) H.P.R.V. with Tow Option (4000-6100 psi)	2
▲	13 763446	(000000-) Charge Pressure Relief Valve Kit	1
▲	14 763447	(000000-) Plug	3
▲	15 13907	(000000-) Plug	1
▲	16 763449	(000000-) DA Cartridge	1
▲	17 763450	(000000-) Jam Nut	1
▲	18 74098	(000000-) Plug	6
▲	19 763541	(000000-) Cap Screw	8
▲	20 763542	(000000-) Seal Kit	1
▲	21 763518	(000000-) Shaft	1
▲	22 763519	(000000-) Bearing	1
▲	23 763520	(000000-) Retaining Ring	1
▲	24 763522	(000000-) Housing	1
▲	25 763523	(000000-) Bushing	2
▲	26 763524	(000000-) Locating Pin	1
▲	27 79779	(000000-) Plug	1
▲	28 763525	(000000-) Pin	1
▲	29 763526	(000000-) Plug	1
▲	30 763528	(000000-) P.O.R. Assembly	1
▲	31 763529	(000000-) Adjusting Screw	1
▲	32 763451	(000000-) Orifice (1.8 mm)	1
▲	33 763530	(000000-) Cap Screw	4
▲	34 763452	(000000-) Plug	3
▲	35 763531	(000000-) Bushing Support	1
▲	36 763532	(000000-) Bushing	1
▲	37 763533	(000000-) Dowell Pin	2
▲	38 763534	(000000-) Port Block	1

Fig. 2 - Hydraulic Piston Motor Breakdown, 762136

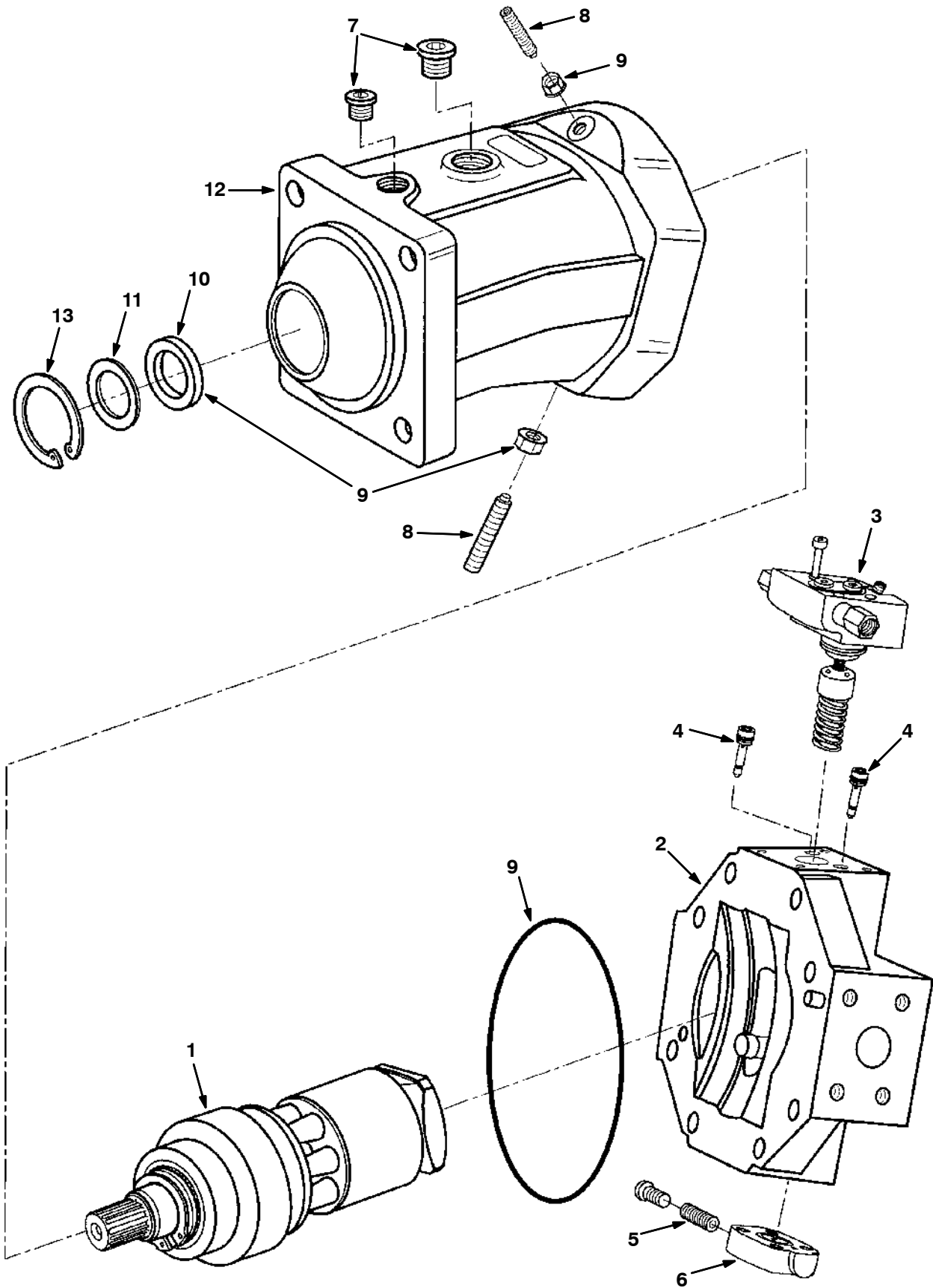
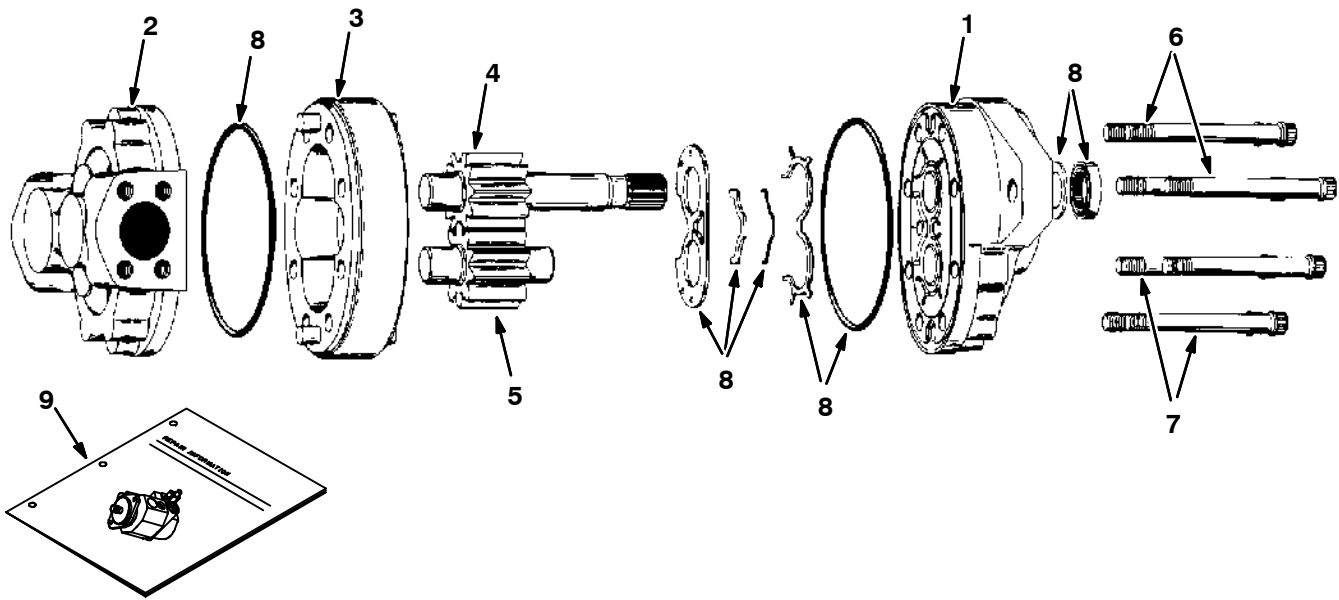


Fig. 2 - Hydraulic Piston Motor Breakdown, 762136

NOTE: This hydraulic motor is available as a "rebuilt" motor, Tennant part number 376059.

	Ref.	TENNANT Part No.	Manufacturer Serial Number	Description	Qty.
▽		762136	(000000-) Motor, Piston, Rexroth	1
▲	1	763948	(000000-) Rotary Group	1
▲	2	763949	(000000-) Rear Cover Assembly	1
▲	3	763950	(000000-) DA Control Kit	1
▲	4	763951	(000000-) Check Valve Kit	2
▲	5	763457	(000000-) Swivel Orifice Kit	1
▲	6	763952	(000000-) Stroking Piston Cover	1
▲	7	763447	(000000-) Plug (M18 x 1.5)	2
▲	8	763461	(000000-) Stop Screw	2
▲▽	9	763956	(000000-) Seal Kit	1
▲▲	10	763464	(000000-) Shaft Seal	1
▲	11	763953	(000000-) Shim	1
▲	12	763954	(000000-) Housing	1
▲	13	763955	(000000-) Snap Ring	1

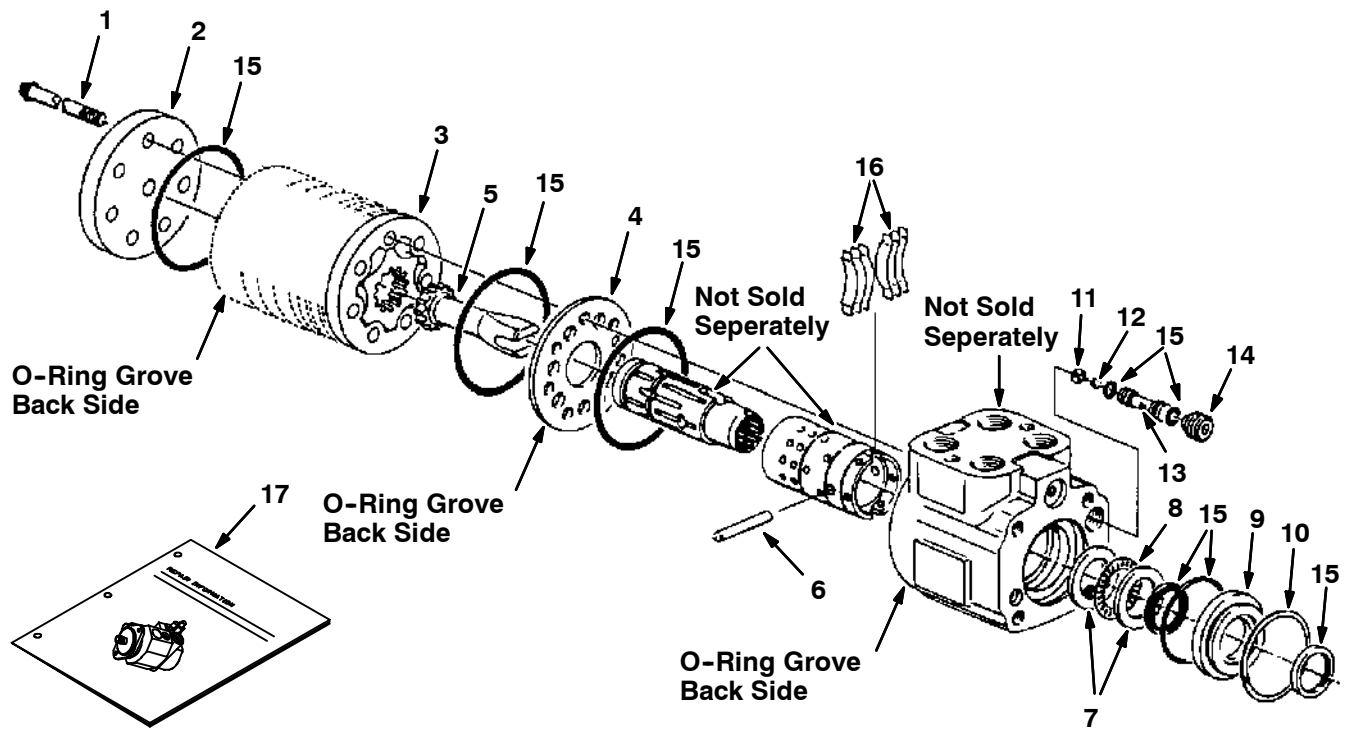
Fig. 3 - Hydraulic Gear Pump Breakdown, 762024



10308-09670

Ref.	TENNANT Part No.	Manufacturer Serial Number	Description	Qty.
▽	762024	(000000-) Pump, Hyd Gear 1.76 Cid	1
▲	1 763485	(000000-) Frontplate	1
▲	2 763486	(000000-) Backplate	1
▲	3 763487	(000000-) Body	1
▲	4 763488	(000000-) Drive Gear	1
▲	5 763489	(000000-) Idler Gear	1
▲	6 763490	(000000-) Screw, Cap	4
▲	7 763501	(000000-) Screw, Cap	4
▲	8 763503	(000000-) Seal Kit	1
▲	9 763502	(000000-) Repair Info, Pmp	1

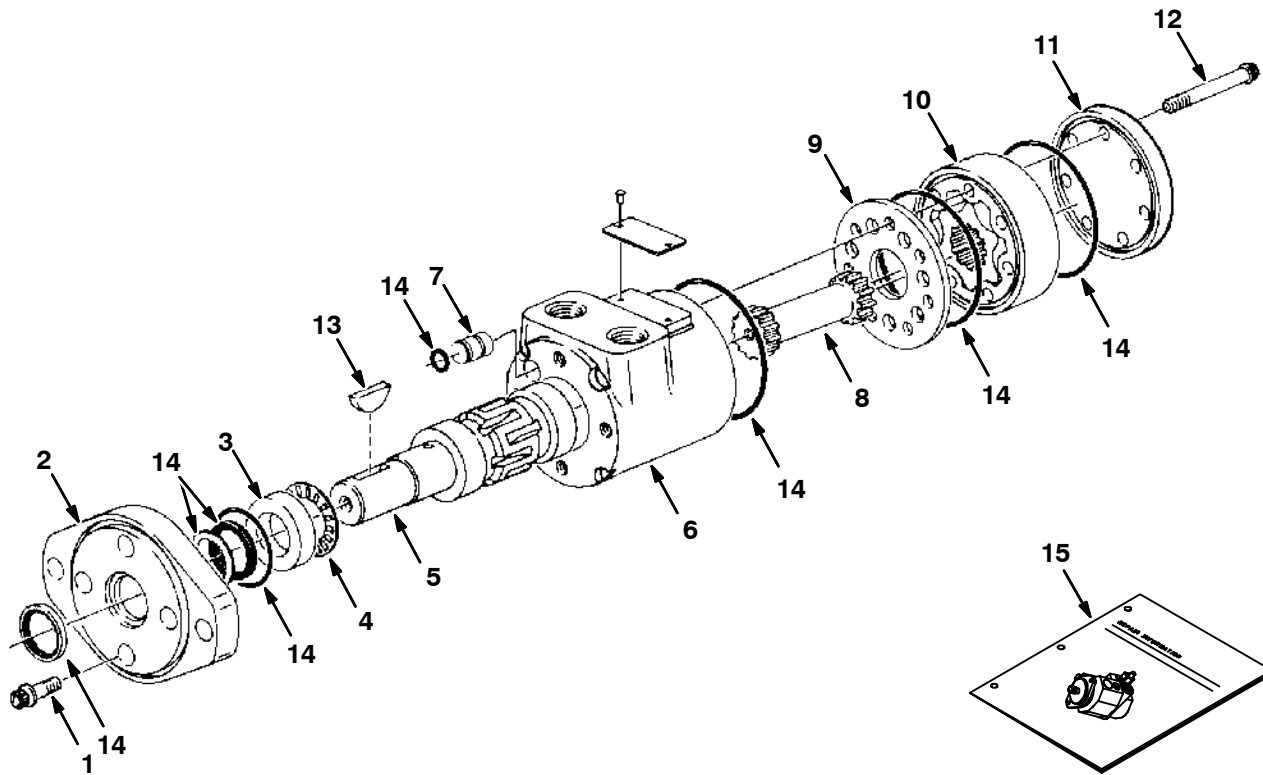
Fig. 4 - Hydraulic Steering Valve Breakdown, 762018



10172-09670

Ref.	TENNANT Part No.	Manufacturer Serial Number	Description	Qty.
▽	762018	(000000-) Valve, Hydraulic Steering	1
▲	1 74174	(000000-) Cap, Screw	7
▲	2 74181	(000000-) Cap, End	1
▲	3 65235	(000000-) Gerotor Set	1
▲	4 74182	(000000-) Plate, Wear	1
▲	5 58596	(000000-) Drive	1
▲	6 74218	(000000-) Pin	1
▲	7 74109	(000000-) Race, Bearing	2
▲	8 74110	(000000-) Bearing, Needle	1
▲	9 763401	(000000-) Bushing, Gland Seal	1
▲	10 74111	(000000-) Ring, Retaining	1
▲	11 74186	(000000-) Retainer, Check	1
▲	12 74187	(000000-) Ball	1
▲	13 74188	(000000-) Seat, Check Ball	1
▲	14 74189	(000000-) Screw, Set	1
▲	15 763404	(000000-) Seal Kit, Scu	1
▲	16 763403	(000000-) Spring Kit, Centering	1
▲	763402	(000000-) Check Valve, Inlet	1
▲	17 763430	(000000-) Repair Info	1

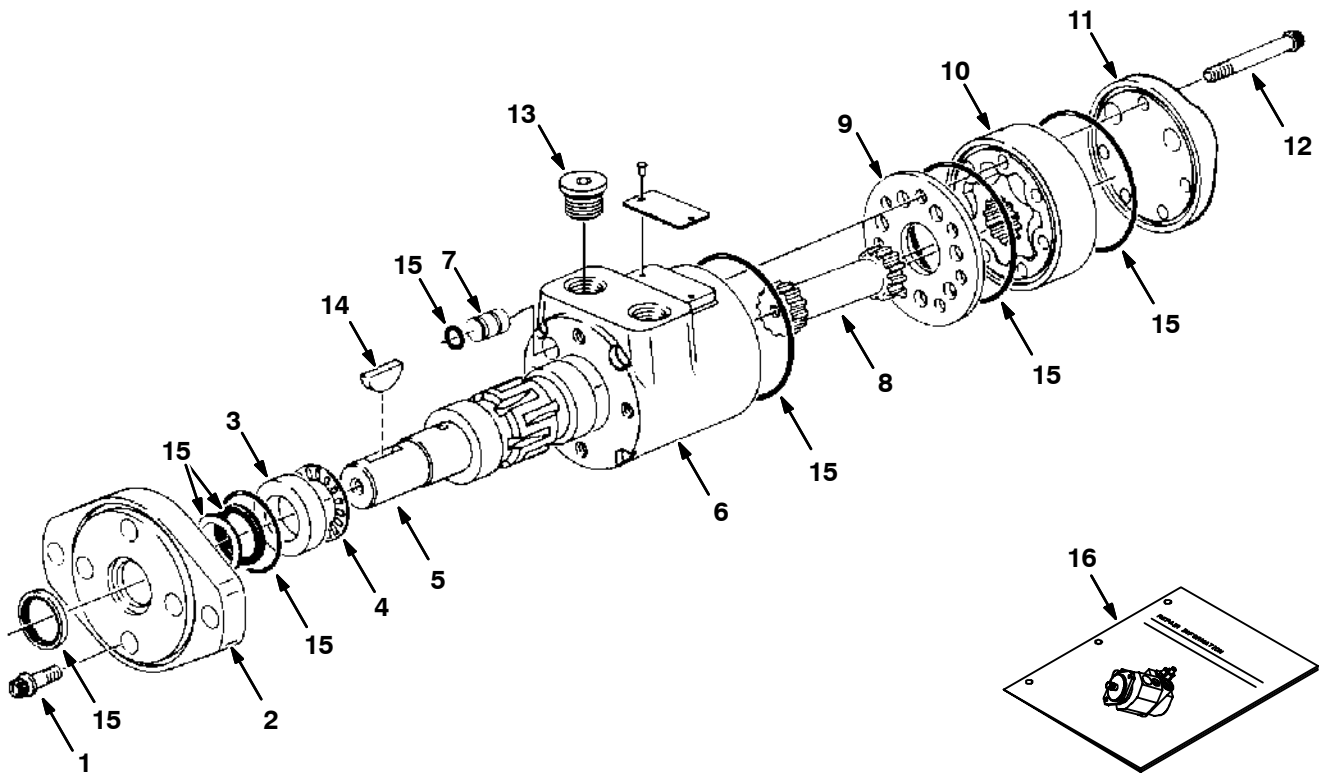
Fig. 5 - Hydraulic Motor Breakdown, 767020



10310-09670

Ref.	TENNANT Part No.	Manufacturer Serial Number	Description	Qty.
▽	767020	(000000-) Motor, Hyd 3Rd Brush Transprt	1
▲	1 37555	(000000-) Screw	4
▲	2 763504	(000000-) Flg, Mtg 2-Bolt	1
▲	3 16695	(000000-) Race Thrust	1
▲	4 45628	(000000-) Thrust Bearing	1
▲	5 31357	(000000-) Shaft, Output	1
▲	6 763505	(000000-) Housing	1
▲	7 74093	(000000-) Plug Housing	1
▲	8 34172	(000000-) Drive	1
▲	9 74094	(000000-) Spacer Plate	1
▲	10	(000000-) Gerotor Assy	1
▲	11 38873	(000000-) Cover Cap	1
▲	12 74191	(000000-) Screw, Cap	7
▲	13 00500-15	(000000-) Key-Wdruff 0.25 1.00 Asa#0808	1
▲	14 28835	(000000-) Seal Kit, Motor A/H-Stnd	1
▲	15 763507	(000000-) Repair Info, Mtr	1

Fig. 6 - Hydraulic Motor Breakdown, 762035



10312-09670

Ref.	TENNANT Part No.	Manufacturer Serial Number	Description	Qty.
▽	762035	(000000-) Motor, Hyd Shaker W/End Ports	1
▲	1 37555	(000000-) Screw	4
▲	2 763504	(000000-) Flg, Mtg 2-Bolt	1
▲	3 16695	(000000-) Race Thrust	1
▲	4 45628	(000000-) Thrust Bearing	1
▲	5 763508	(000000-) Output Shaft	1
▲	6 74092	(000000-) Housing	1
▲	7 74093	(000000-) Plug, Housing	1
▲	8 34172	(000000-) Drive	1
▲	9 74094	(000000-) Spacer Plate	1
▲	10 763506	(000000-) Gerotor Assy	1
▲	11 763509	(000000-) End Cap	1
▲	12 74191	(000000-) Screw, Cap	5
▲	13 74099	(000000-) Plug #10	2
▲	14 00500-15	(000000-) Key-Wdruff 0.25 1.00 Asa#0808	1
▲	15 28835	(000000-) Seal Kit, Motor A/H-Stnd	1
	16 763507	(000000-) Repair Info, Mtr	1

Fig. 7 - Hydraulic Gear Motor Breakdown, 762058

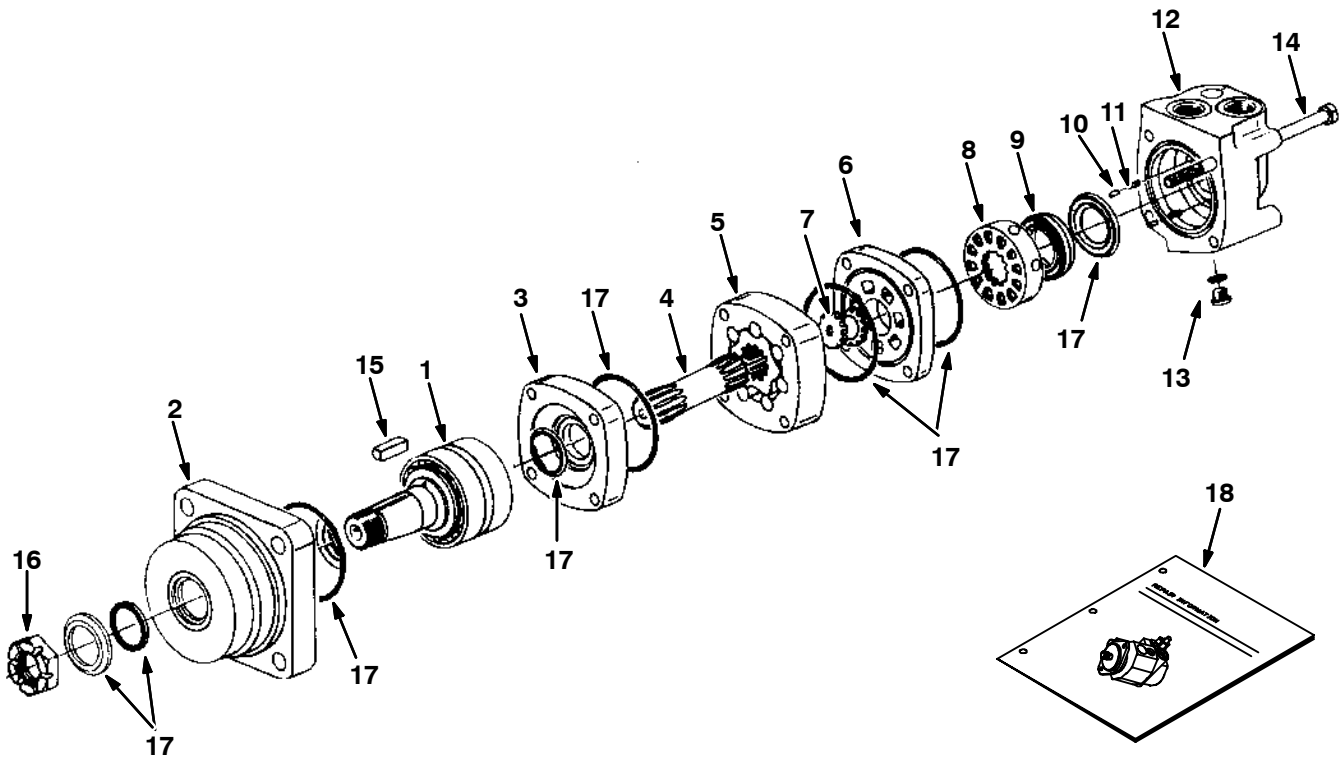


Fig. 7 - Hydraulic Gear Motor Breakdown, 762058

	Tennant Ref.	Part No.	Manufacturer Serial Number	Description	Qty.
▽		762058	(000000-) Motor, Hyd Gear	1
▲	1	21951	(000000-) Shaft/Brg Kit	1
▲	2	762083	(000000-) Housing, Brg	1
▲	3	51417	(000000-) Plate	1
▲	4	763512	(000000-) Drive	1
▲	5	763513	(000000-) Geroler	1
▲	6	02646	(000000-) Valve Plate	1
▲	7	57370	(000000-) Valve Drive	1
▲	8	02647	(000000-) Valve	1
▲	9	57373	(000000-) Balance Ring	1
▲	10	57374	(000000-) Pin	2
▲	11	57375	(000000-) Spring	2
▲	12	74119	(000000-) Housing, Valve	1
▲	13	74098	(000000-) Plug #4	1
▲	14	763514	(000000-) Bolt	4
▲	15	38315	(000000-) Key	1
▲	16	38490	(000000-) Nut	1
▲	17	21953	(000000-) Seal Kit, Mtr	1
	18	79729	(000000-) Repair Info, Motor	1

Fig. 8 - Hydraulic Gear Motor Breakdown, 762059

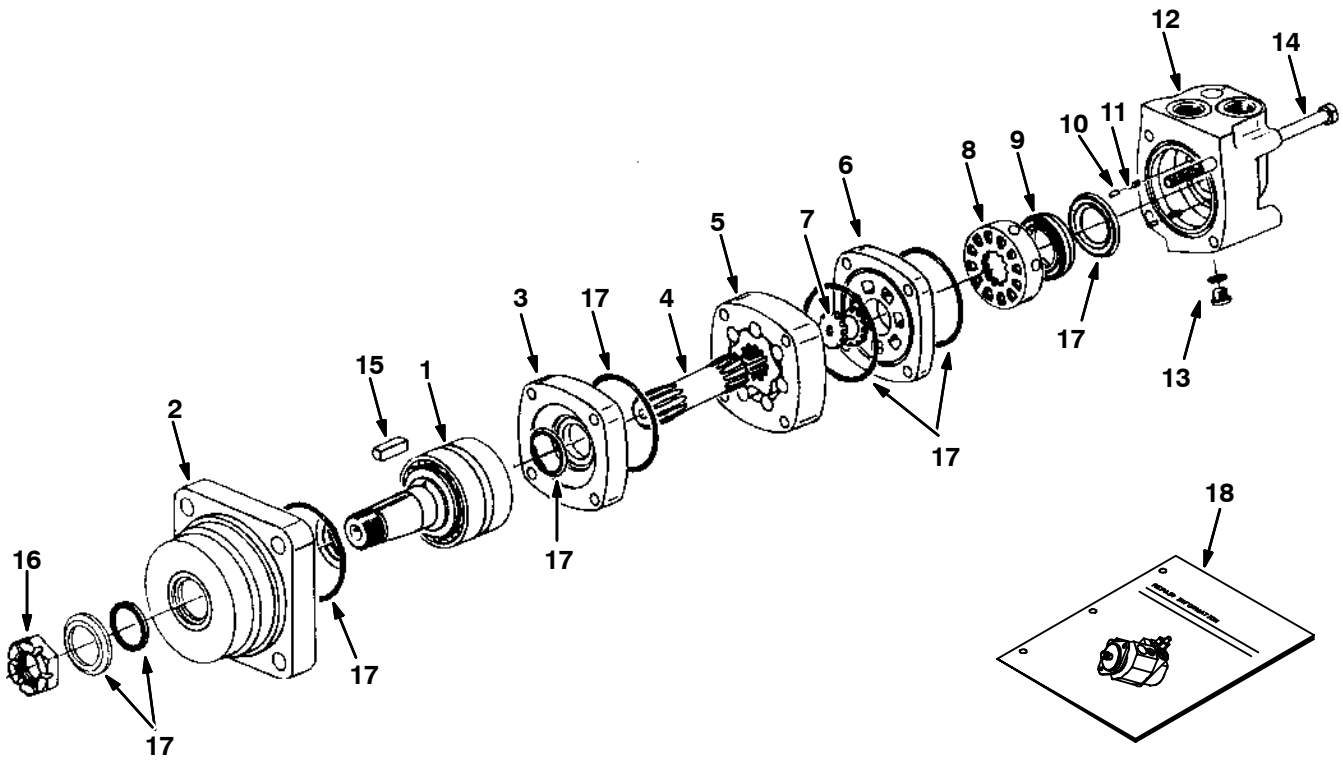


Fig. 8 - Hydraulic Gear Motor Breakdown, 762059

	Ref.	Tennant Part No.	Manufacturer Serial Number	Description	Qty.
▽		762059	(000000-) Motor, Hyd Gear	1
▲	1	21951	(000000-) Shaft/Brg Kit	1
▲	2	762083	(000000-) Housing, Brg	1
▲	3	51417	(000000-) Plate	1
▲	4	02603	(000000-) Drive	1
▲	5	02645	(000000-) Geroler	1
▲	6	02646	(000000-) Valve Plate	1
▲	7	57370	(000000-) Valve Drive	1
▲	8	02647	(000000-) Valve	1
▲	9	57373	(000000-) Balance Ring	1
▲	10	57374	(000000-) Pin	2
▲	11	57375	(000000-) Spring	2
▲	12	763515	(000000-) Housing, Valve	1
▲	13	74098	(000000-) Plug #4	1
▲	14	74120	(000000-) Bolt	4
▲	15	38315	(000000-) Key	1
▲	16	38490	(000000-) Nut	1
▲	17	21953	(000000-) Seal Kit, Mtr	1
	18	79729	(000000-) Repair Info, Motor	1

Fig. 9 - Hydraulic Motor Breakdown, 762045

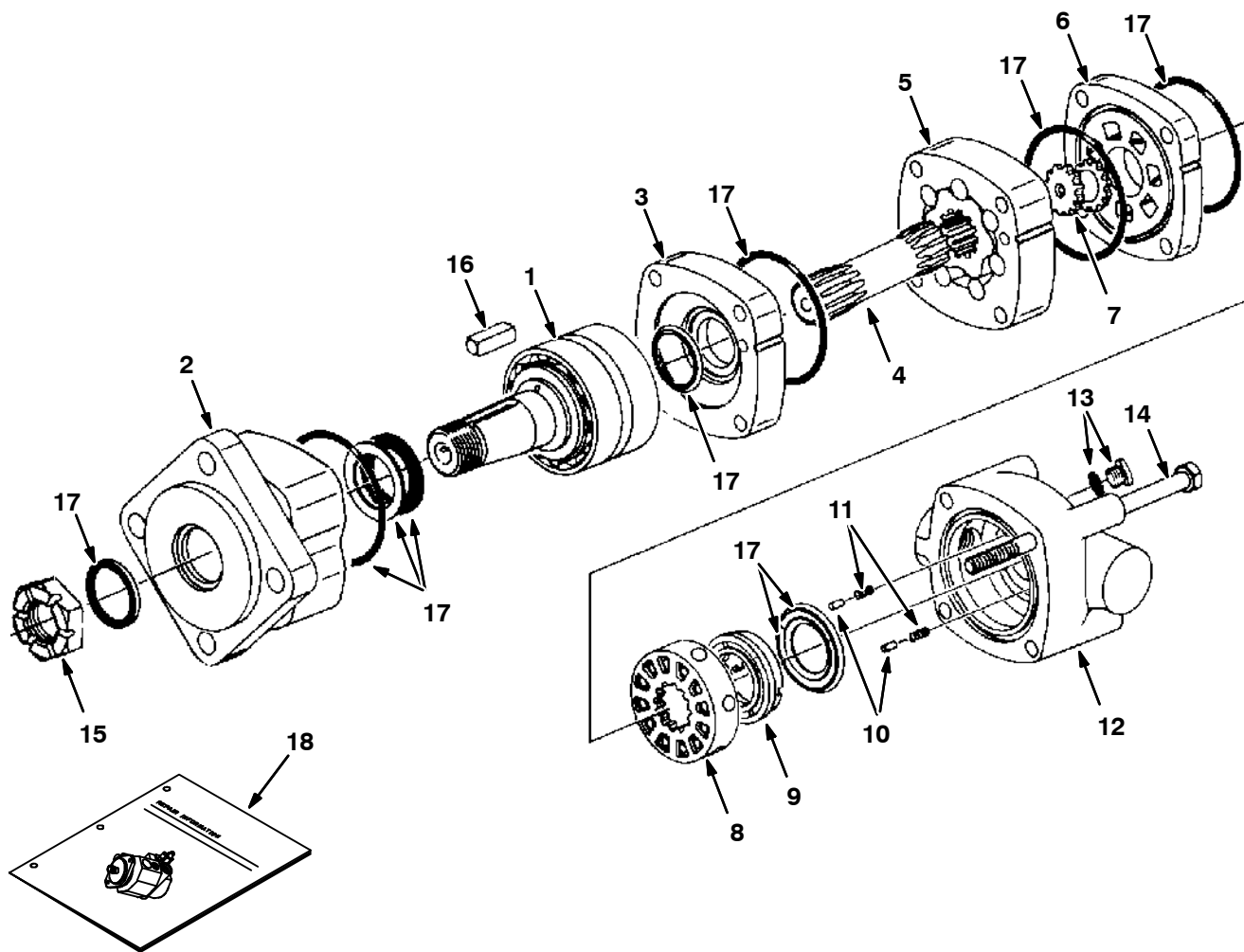
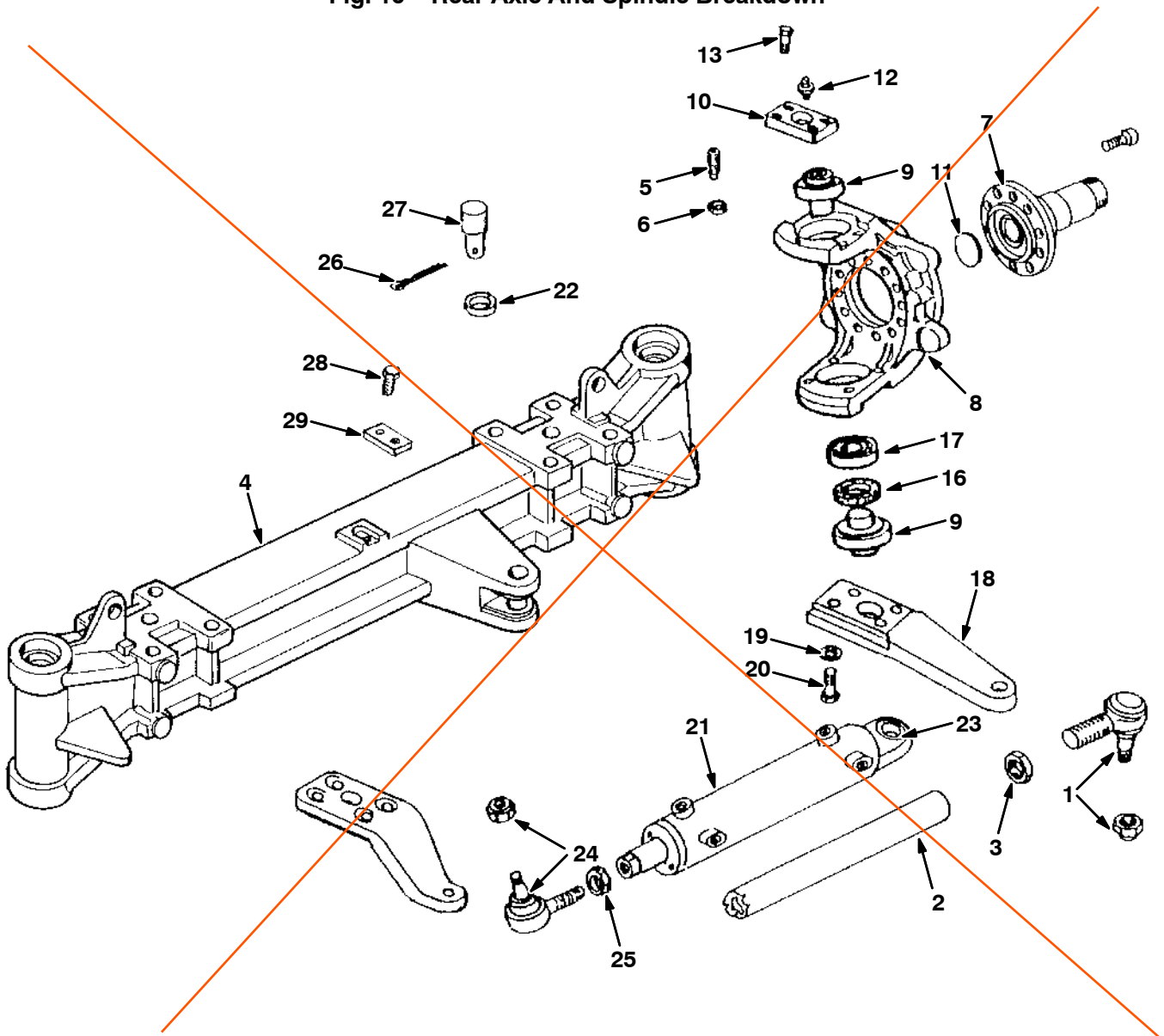


Fig. 9 - Hydraulic Motor Breakdown, 762045

	TENNANT	Manufacturer			
Ref.	Part No.	Serial Number		Description	Qty.
▽	762045	(000000-)	Motor, Hyd Main Brush W/Ports	1
▲	1 02644	(000000-)	Shaft Bearing Kit	1
▲	2 763517	(000000-)	Housing, Bearng	1
▲	3 51417	(000000-)	Plate	1
▲	4 87784	(000000-)	Drive	1
▲	5 87785	(000000-)	Geroler	1
▲	6 02646	(000000-)	Valve Plate	1
▲	7 57370	(000000-)	Valve Drive	1
▲	8 02647	(000000-)	Valve	1
▲	9 57373	(000000-)	Balance Ring	1
▲	10 57374	(000000-)	Pin	2
▲	11 57375	(000000-)	Spring	2
▲	12 763515	(000000-)	Housing, Valve	1
▲	13 74098	(000000-)	Plug #4	1
▲	14 763516	(000000-)	Screw, Cap	4
▲	15 38490	(000000-)	Nut	1
▲	16 38315	(000000-)	Key	1
▲	17 02643	(000000-)	Seal Kit	1
	18 79729	(000000-)	Repair Info, Mtr	1

Fig. 10 - Rear Axle And Spindle Breakdown



Please refer to the Sentinel manual #331000 for the most current parts information for this Breakdown.

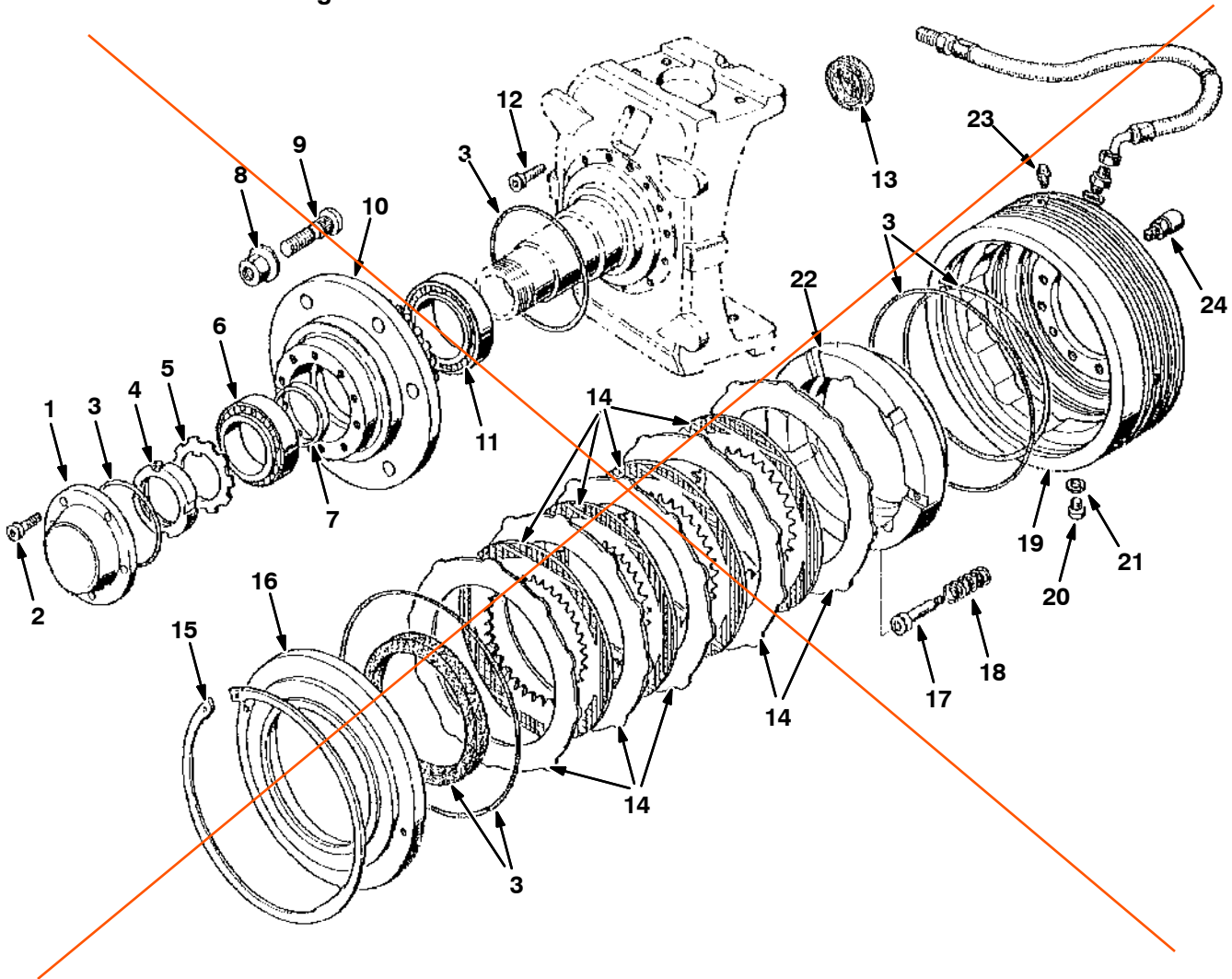
Fig. 10 - Rear Axle And Spindle Breakdown

NOTE: The Rear Axle Breakdown, Tennant part number 767702, includes Fig. 10 and Fig. 11.

Ref.	TENNANT Part No.	Manufacturer Serial Number	Description	Qty.	
1	761601	(000000-) Rod End Pivot Lh	1	
1	761602	(000000-) Rod End Pivot Rh	1	
2	761603	(000000-) Steering Rod Rear	1	
3	761727	(000000-) Nut, Rh	1	
3	761728	(000000-) Nut, Lh	1	
4	767703	(000000-) Rear Axle Housing	1	
5	761607	(000000-) Screw, M8x50	2	
6	08709	(000000-) Nut, Self Lock M8	2	
7	761730	(000000-) Carrying Flange	2	
8	761628	(000000-) Steering Housing	2	
9	761629	(000000-) Pivoting Hub	4	
10	761630	(000000-) Flange	1	
11	761731	(000000-) Dust Cover	2	
12	761631	(000000-) Grease Zerk	4	
13	41346	(000000-) Screw, M12x30	4	
14	761733	(000000-) Steering Lever, Rh, Upper	1	
15	761632	(000000-) Screw, M10x30	24	
16	761609	(000000-) Gasket	4	
17	761610	(000000-) Bearing	4	
18	761635	(000000-) Steering Lever, Lower	1	
18	761732	(000000-) Steering Lever, Lower, Lh	1	
19	761611	(000000-) Washer	16	
20	06969	(000000-) Screw, M12x40	12	
▽	21	762080	(000000-) Cylinder, Hydraulic	1
▲	761714	(000000-) Seal Kit, Cylinder	1	
22	761720	(000000-) Spacer	1	
23	761715	(000000-) Pivoting Hub	1	
24	761716	(000000-) Rod End	1	
25	761717	(000000-) Nut, M18x1.5	1	
26	761718	(000000-) Cotter Pin	1	
27	769093	(000000-) Cylinder Anchor Pin	1	
28	06960	(000000-) Screw M10x16	1	
29	767704	(000000-) Plate	1	

Please refer to the Sentinel manual #331000 for the most current parts information for this Breakdown.

Fig. 11 - Rear Axle Wheel Hub and Brake Breakdown



Please refer to the Sentinel manual #331000 for the most current parts information for this Breakdown.

Fig. 11 - Rear Axle Wheel Hub and Brake Breakdown

NOTE: The Rear Axle Breakdown, Tennant part number 767702, includes Fig. 10 and Fig. 11.

Ref.	TENNANT Part No.	Manufacturer Serial Number	Description	Qty.
▽	767768	(000000-) Axle Assembly, Rear W/Brake	1
▲ 1	767734	(000000-) Cover, Hub	1
▲ 2	761648	(000000-) Screw	5
▲ 3	767762	(000000-) Kit, Seal, Brake	1
▲ 4	767738	(000000-) Nut	1
▲ 5	767739	(000000-) Washer	1
▲ 6	761644	(000000-) Bearing	1
▲ 7	767764	(000000-) Spacer	1
▲ 8	761025	(000000-) Nut, Lug, Flanged	6
▲ 9	761641	(000000-) Stud	6
▲ 10	767740	(000000-) Hub, Wheel	1
▲ 11	767741	(000000-) Bearing	1
▲ 12	761632	(000000-) Screw	12
▲ 13	767735	(000000-) Gasket	1
▲ 14	767763	(000000-) Kit, Discs, Brake	1
▲ 15	767745	(000000-) Circlip	1
▲ 16	767746	(000000-) Cover	1
▲ 17	767747	(000000-) Screw	3
▲ 18	767748	(000000-) Spring	3
▲ 19	767749	(000000-) Hub, Brake	1
▲ 20	767750	(000000-) Plug	3
▲ 21	761993	(000000-) Washer	3
▲ 22	767752	(000000-) Piston	1
▲ 23	767753	(000000-) Screw, Bleed	1
▲ 24	761613	(000000-) Breather	1

Please refer to the Sentinel manual #331000 for the most current parts information for this Breakdown.

Fig. 12 - Front Axle And Spindle Breakdown

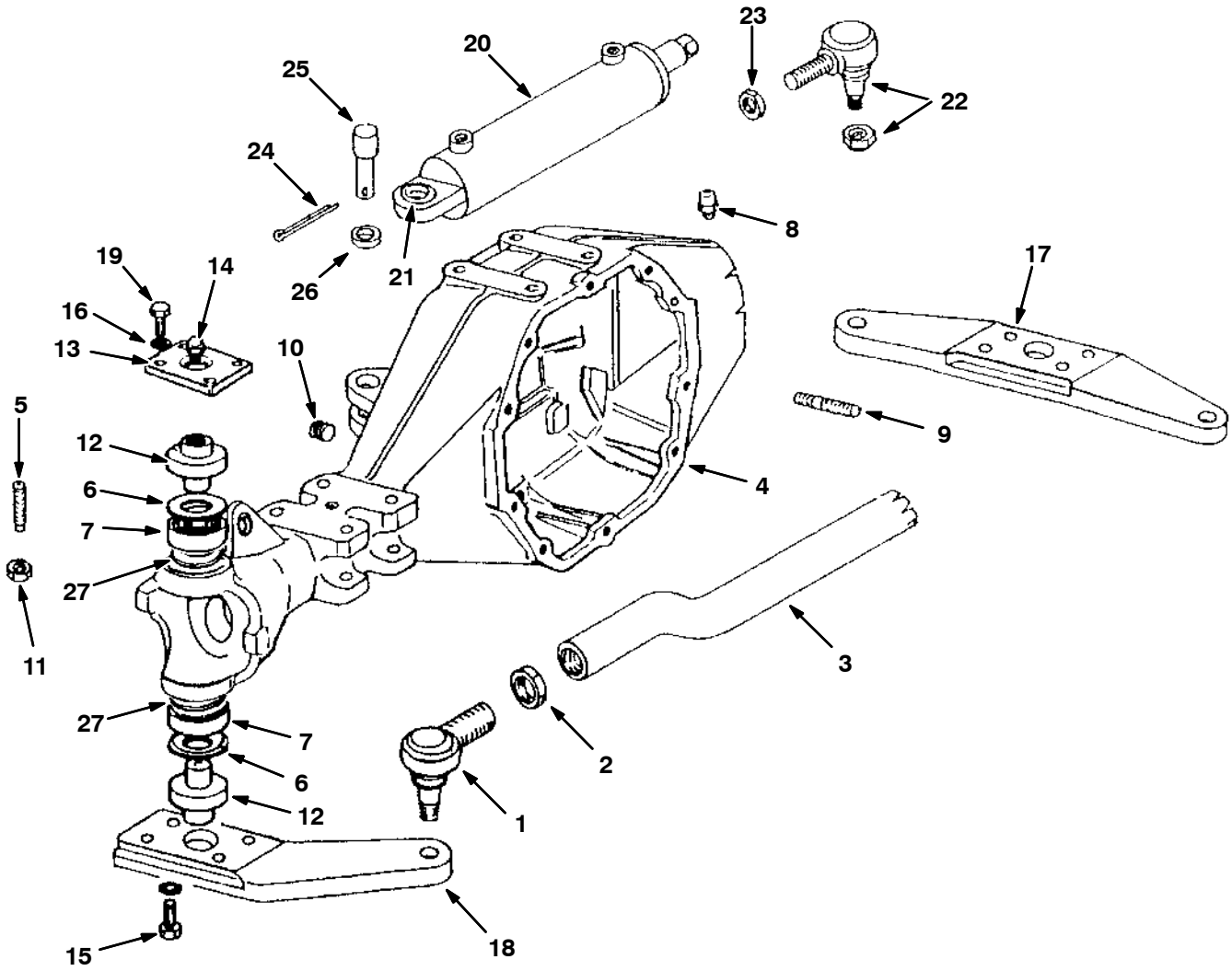
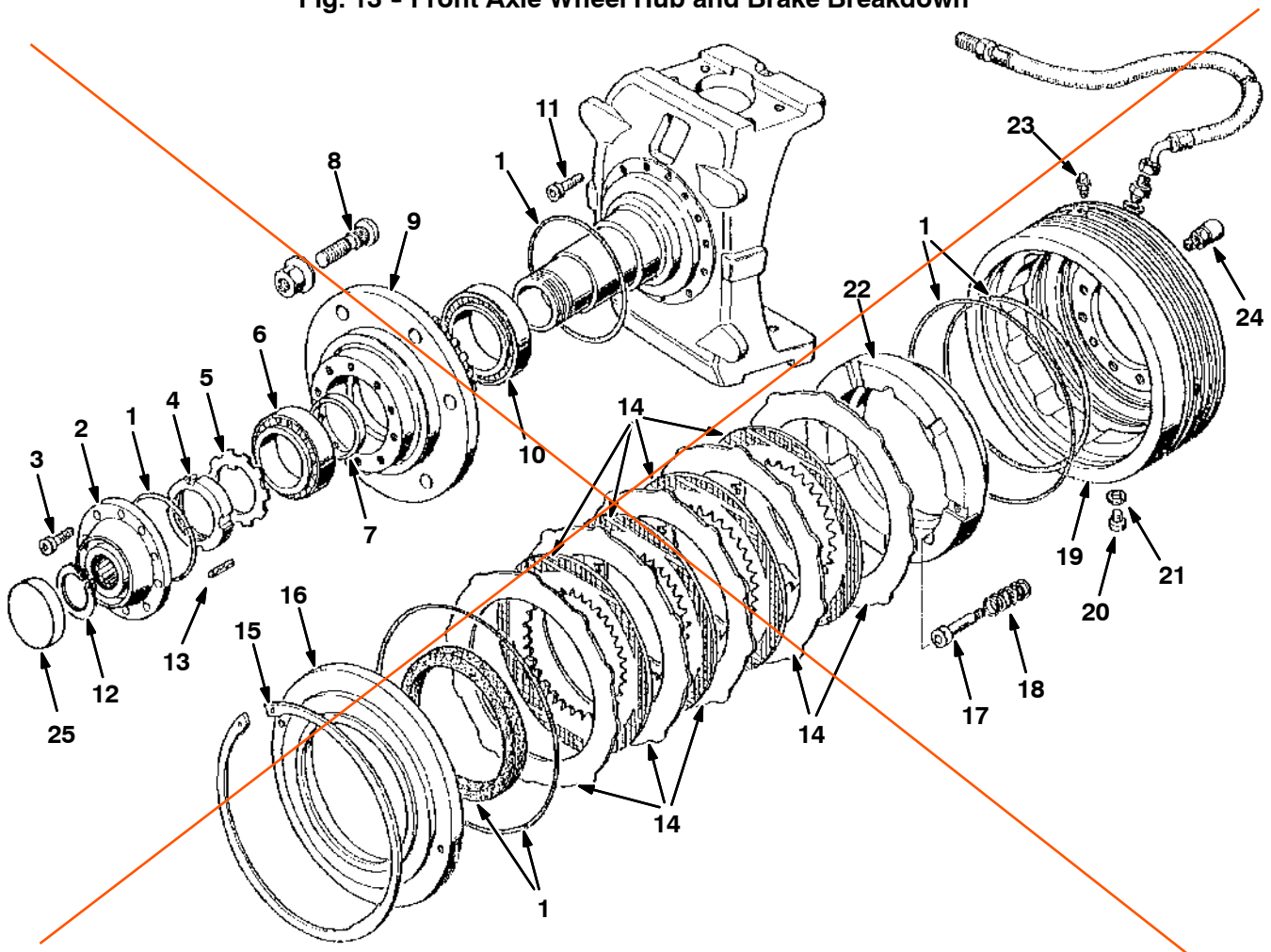


Fig. 12 - Front Axle And Spindle Breakdown

NOTE: The Front Axle Breakdown, Tennant part number 767701, includes Fig. 12, Fig. 13, Fig. 14, Fig. 15 and Fig. 16.

Ref.	TENNANT Part No.	Manufacturer Serial Number	Description	Qty.	
1	761601	(000000-) Rod End Pivot Lh	1	
1	761602	(000000-) Rod End Pivot Rh	1	
2	761727	(000000-) Nut, Rh	1	
2	761728	(000000-) Nut, Lh	1	
3	761600	(000000-) Steering Rod Front	1	
4	761606	(000000-) Front Axle Housing	1	
5	761607	(000000-) Screw, M8x50	2	
6	761609	(000000-) Gasket	4	
7	761610	(000000-) Bearing	4	
8	761613	(000000-) Breather	1	
9	761615	(000000-) Screw, M12x30	1	
10	761616	(000000-) Magnetic Plug	2	
11	08709	(000000-) Nut, Self Lock M8	2	
12	761629	(000000-) Pivoting Hub	4	
13	761630	(000000-) Flange	2	
14	761631	(000000-) Grease Zerk	4	
15	06969	(000000-) Screw, M12x40	8	
16	761611	(000000-) Washer	16	
17	761634	(000000-) Steering Lever, Rh, Lower	1	
18	761732	(000000-) Steering Lever, Lower	1	
19	41346	(000000-) Screw, M12x30	8	
▽	20	762080	(000000-) Cylinder, Hydraulic	1
▲		761714	(000000-) Seal Kit, Cylinder	1
	21	761715	(000000-) Pivoting Hub	1
	22	761716	(000000-) Rod End	1
	23	761717	(000000-) Nut, M18x1.5	1
	24	08280	(000000-) Cotter Pin	1
	25	769093	(000000-) Cylinder Anchor Pin	1
	26	761720	(000000-) Spacer	1
	27	767735	(000000-) Gasket, Axle	4

Fig. 13 - Front Axle Wheel Hub and Brake Breakdown



Please refer to the Sentinel manual #331000 for the most current parts information for this Breakdown.

Fig. 13 - Front Axle Wheel Hub and Brake Breakdown

NOTE: The Front Axle Breakdown, Tennant part number 767701, includes Fig. 12, Fig. 13, Fig. 14, Fig. 15 and Fig. 16.

Please refer to the Sentinel manual #331000 for the most current parts information for this Breakdown.

Ref.	TENNANT Part No.	Manufacturer Serial Number	Description	Qty.
▽	767767	(000000-) Hub Assy, Front W/Brake	1
▲	1 767762	(000000-) Kit, Seal, Brake	1
▲	2 767737	(000000-) Flange, Driven	1
▲	3 761648	(000000-) Screw	10
▲	4 767738	(000000-) Nut	1
▲	5 767739	(000000-) Washer	1
▲	6 761644	(000000-) Bearing	1
▲	7 767764	(000000-) Spacer	1
▲	8 761641	(000000-) Stud	6
▲	9 767740	(000000-) Hub, Wheel	1
▲	10 767741	(000000-) Bearing	1
▲	11 761632	(000000-) Screw	12
▲	12 767743	(000000-) Circlip	1
▲	13 767744	(000000-) Pin	2
▲	14 767763	(000000-) Kit, Discs, Brake	1
▲	15 767745	(000000-) Circlip	1
▲	16 767746	(000000-) Cover	1
▲	17 767747	(000000-) Screw	3
▲	18 767748	(000000-) Spring	3
▲	19 767749	(000000-) Hub, Brake	1
▲	20 767750	(000000-) Plug	3
▲	21 761993	(000000-) Washer	3
▲	22 767752	(000000-) Piston	1
▲	23 767753	(000000-) Screw, Bleed	1
▲	24 761613	(000000-) Breather	1
▲	25 761643	(000000-) Cover	1

Fig. 14 - Front Axle Differential Breakdown

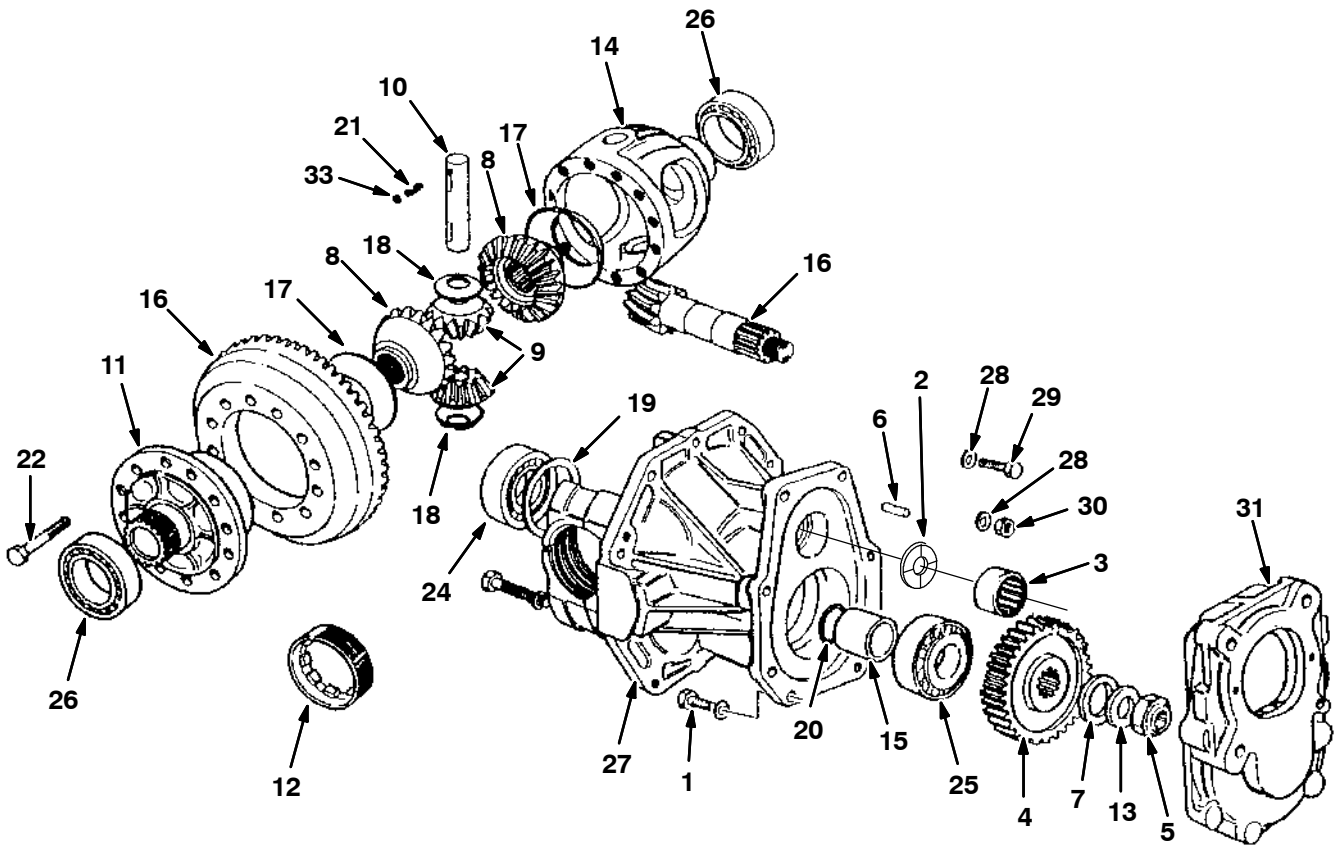


Fig. 14 - Front Axle Differential Breakdown

NOTE: The Front Axle Breakdown, Tennant part number 767701, includes Fig. 12, Fig. 13, Fig. 14, Fig. 15 and Fig. 16.

Ref.	TENNANT Part No.	Manufacturer Serial Number	Description	Qty.
1	39284	(000000-) Screw, M10x1.5	8
▽	761988	(000000-) Kit, Speed Reducer Gear Set	1
▲	2 761604	(000000-) Thrust Bushing	1
▲	3 761670	(000000-) Bearing	1
▲	4 761672	(000000-) Output Gear	1
▲	5 761655	(000000-) Nut	1
	6 761682	(000000-) Pin, M8x20	2
	7 761674	(000000-) Spacer	1
▽	761987	(000000-) Kit, Differential Gear Set	1
▲	8 761650	(000000-) Planetary Gear	2
▲	9 761651	(000000-) Satellite Gear	2
▲	10 761652	(000000-) Differential Pivot	1
▲	11 761653	(000000-) Differential Flange	1
▲	12 761654	(000000-) Retaining Ring	2
▲	13 761669	(000000-) Lock Nut, D.25	1
▲	14 761649	(000000-) Differential Housing	1
▲	15 761656	(000000-) Spacer	1
▲	16 761657	(000000-) Ring Gear, Matched Pinion	1
▲	17 761658	(000000-) Planetary Spherical Washer	2
▲	18 761659	(000000-) Satellite Spherical Washer	2
▲	19 761661	(000000-) Spacer	2
▲	20 761662	(000000-) Spacer	1
▲	21 761663	(000000-) Screw, M12x20	1
▲	22 761664	(000000-) Screw, M14x1.5x40	12
▲	23 761665	(000000-) Washer, A6	1
▲	24 761666	(000000-) Bearing	1
▲	25 761667	(000000-) Bearing	1
▲	26 761668	(000000-) Bearing, 32012	2
	27 761608	(000000-) Differential Cover	1
	28 761611	(000000-) Washer	10
	29 41346	(000000-) Screw, M12x30	9
	30 761614	(000000-) Nut	1
	31 761678	(000000-) Front Housing	1

Fig. 15 - Parking Brake Breakdown

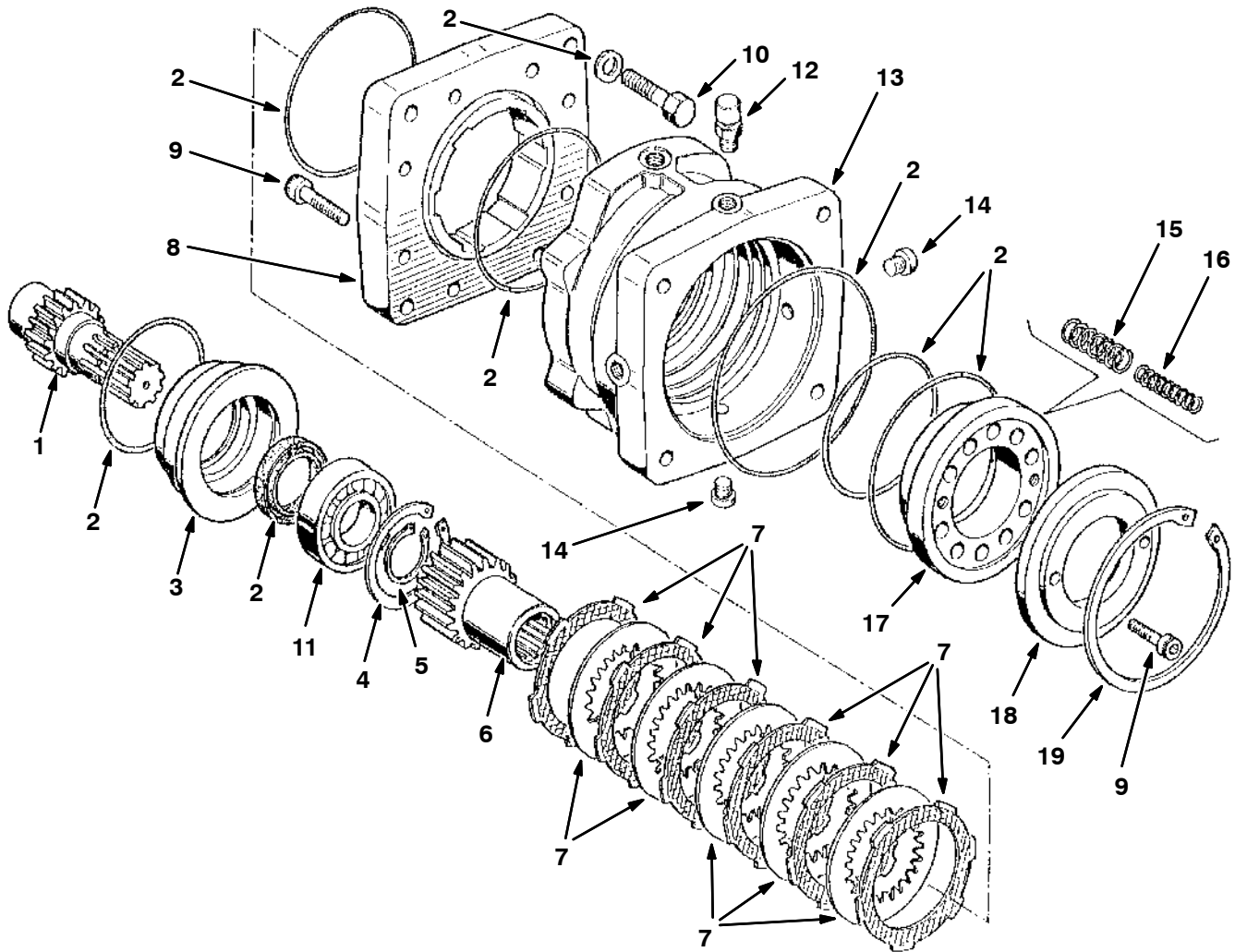


Fig. 15 - Parking Brake Breakdown

NOTE: The Front Axle Breakdown, Tennant part number 767701, includes Fig. 12, Fig. 13, Fig. 14, Fig. 15 and Fig. 16.

	Ref.	TENNANT Part No.	Manufacturer Serial Number	Description	Qty.
▽		767769	(000000-) Brake Assembly, Parking	1
▲	1	767705	(000000-) Gear, Input	1
▲	2	767732	(000000-) Kit, Seal, Axle	1
▲	3	767707	(000000-) Bearing, Hub	1
▲	4	767709	(000000-) Circlip	1
▲	5	767710	(000000-) Circlip	1
▲	6	767711	(000000-) Sleeve, Motor	1
▲	7	767733	(000000-) Kit, Brake, Disc	1
▲	8	767715	(000000-) Hub. Disks	1
▲	9	39309	(000000-) Screw, Soc, M10-1.5 X 25, Al	10
▲	10	06969	(000000-) Screw, Hex, M12-1.75 X 40, 8.8	4
▲	11	767731	(000000-) Bearing	1
▲	12	767718	(000000-) Breather	1
▲	13	767719	(000000-) Housing, Motor	1
▲	14	767721	(000000-) Plug	3
▲	15	767726	(000000-) Spring, Outer	10
▲	16	767727	(000000-) Spring, Inner	10
▲	17	767728	(000000-) Piston	1
▲	18	767729	(000000-) Cover, Springs	1
▲	19	767730	(000000-) Circlip	1

Fig. 16 - Front Axle CV Joint Breakdown

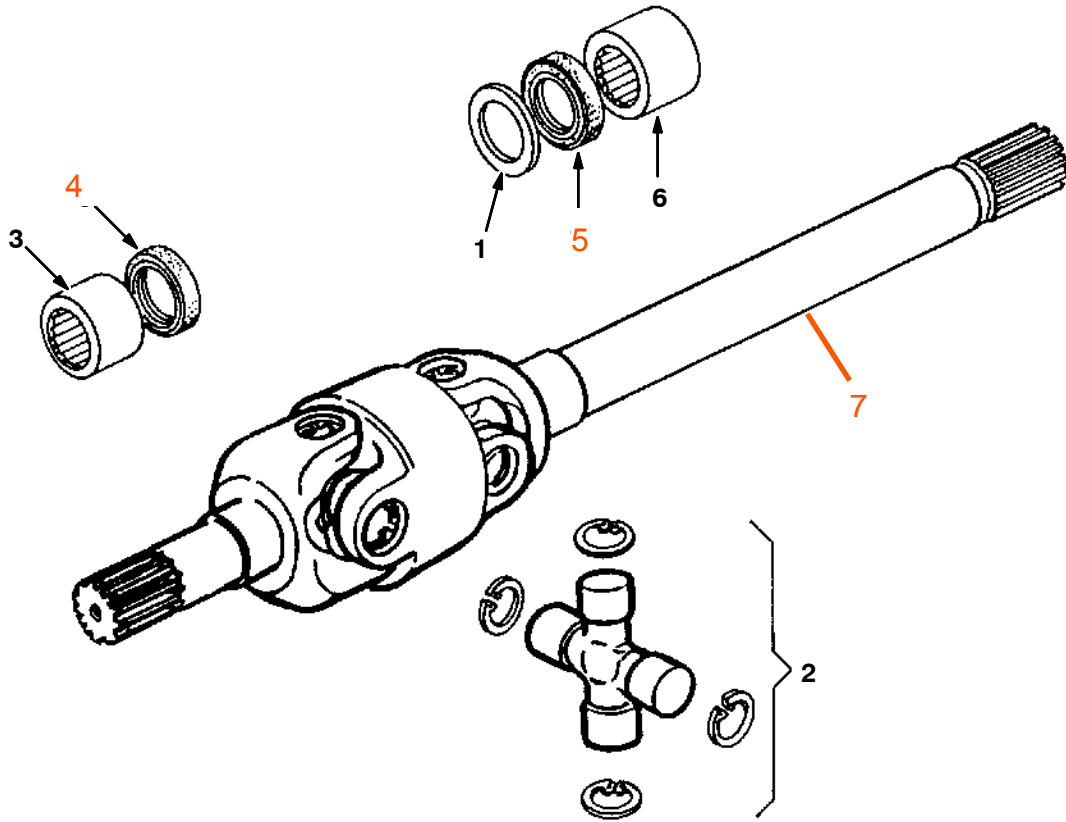


Fig. 16 - Front Axle CV Joint Breakdown

NOTE: The Front Axle Breakdown, Tennant part number 767701, includes Fig. 12, Fig. 13, Fig. 14, Fig. 15 and Fig. 16.

	Ref.	TENNANT Part No.	Manufacturer Serial Number	Description	Qty.
	▽	761986	(000000-) Kit, Cv Joints	2
	▲ 1	761618	(000000-) Dust Protector	1
	▲ 2	761660	(000000-) Cross Bearing Kit	2
	▲ 3	761623	(000000-) Bearing	1
9001524	▲ 4	761624	(000000-) Ring	1
	▲ 5	761625	(000000-) Ring	1
	▲ 6	761626	(000000-) Bearing	1
	7	1021410		Joint.....	1

Fig. 17 - Cat Pump Breakdown

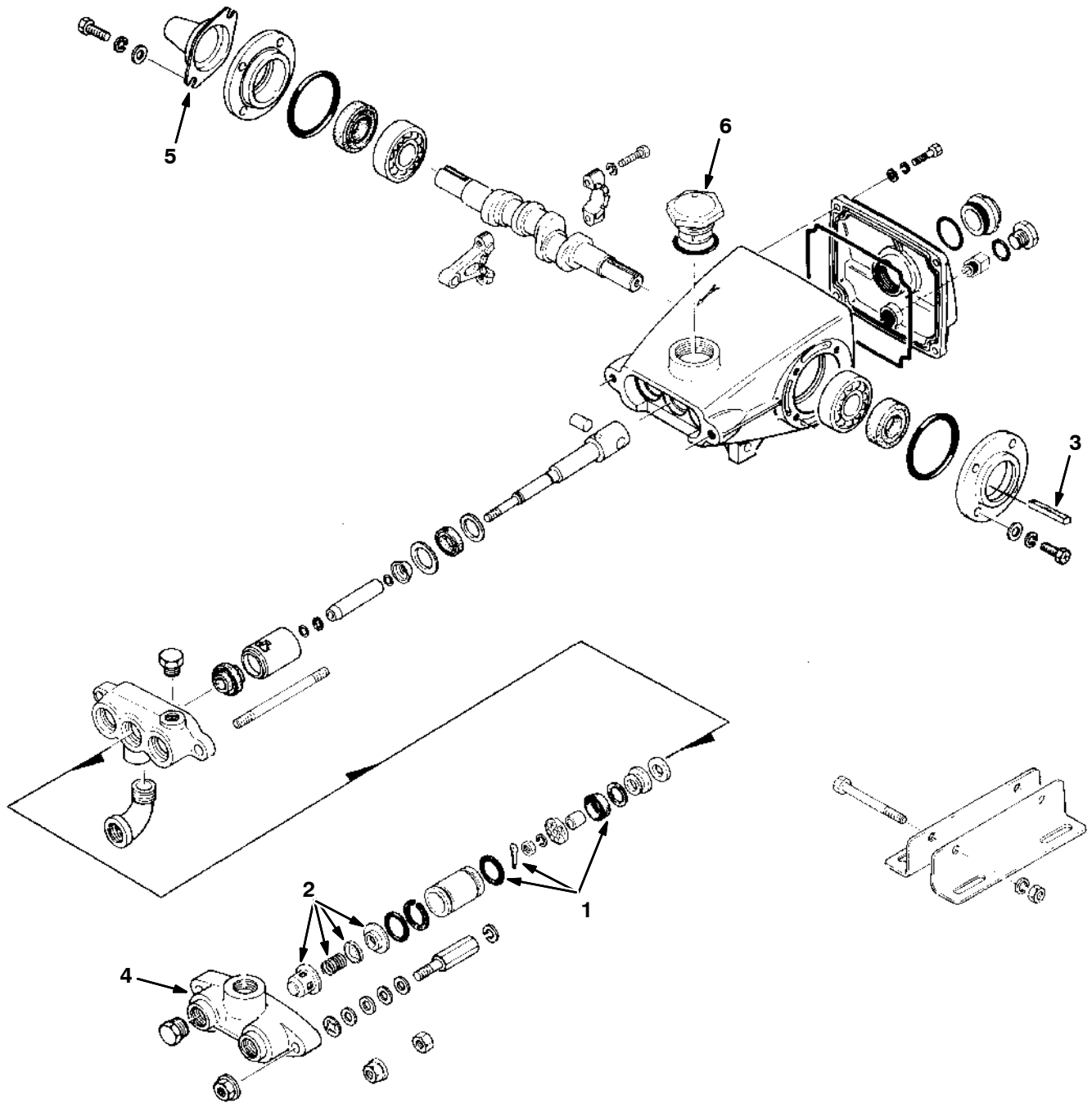


Fig. 17 - Cat Pump Breakdown

	TENNANT	Manufacturer			
Ref.	Part No.	Serial Number		Description	Qty.
▽	762260	(000000-)	Pump Breakdown, Cat	1
▲	40144-4	(000000-)	Oil, Crankcase (For 1 oil change)	1
▲	1 40144-21	(000000-)	Cup Kit	1
▲	2 40144-22	(000000-)	Dischrg Quiet Vlv Kit	1
▲	3 40144-6	(000000-)	Key, 5mm	1
▲	4 37778	(000000-)	Disc. Manifold	1
▲	5 38321	(000000-)	Cover, Pump	1
▲	6 37573	(000000-)	Cap, Oil Filler	1

Fig. 18 - Hydraulic Solenoid Valve Breakdown, 767218

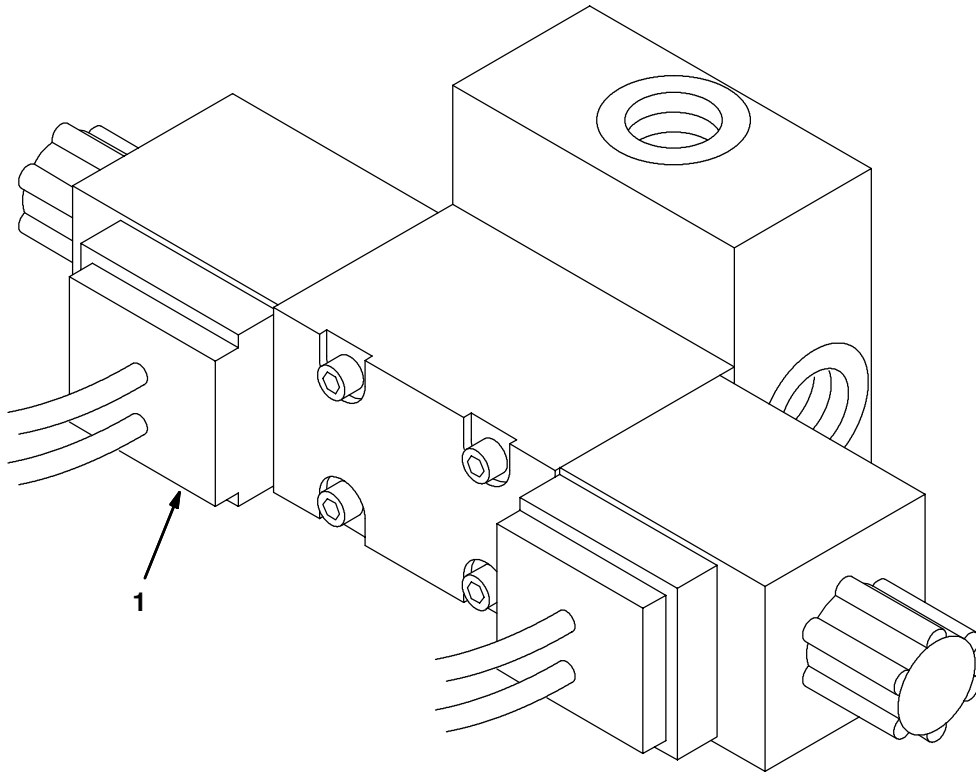


Fig. 18 - Hydraulic Solenoid Valve Breakdown, 767218

	TENNANT	Manufacturer			
	Ref.	Part No.	Serial Number	Description	Qty.
▽		767218	(000000-) Valve, Hyd Cntrl Sol - Vario	1
▲	1	22682	(000000-) Valve, 3P4W Do3 Cp	1

Fig. 19 - Hydraulic Solenoid Valve Breakdown, 767007

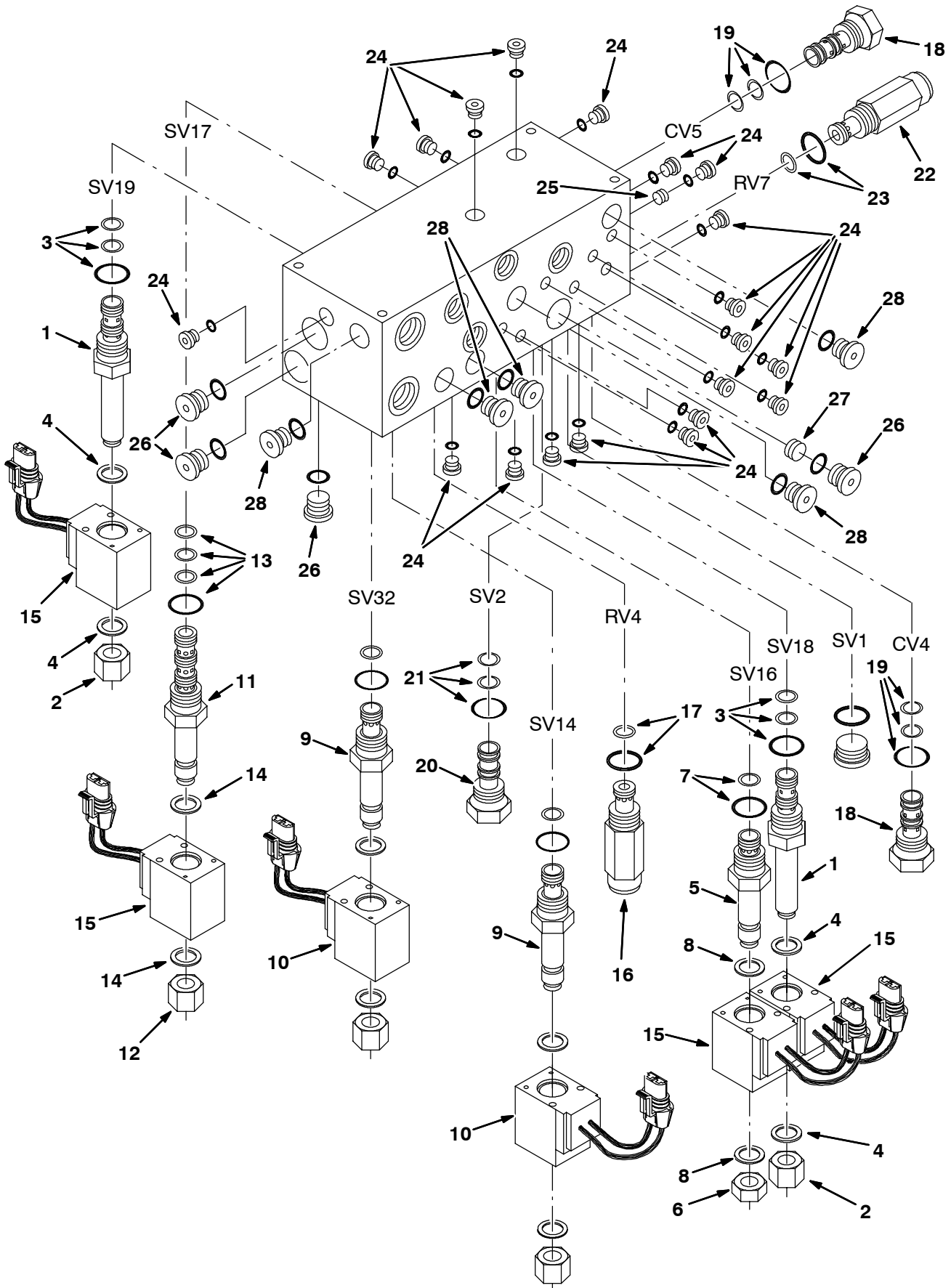
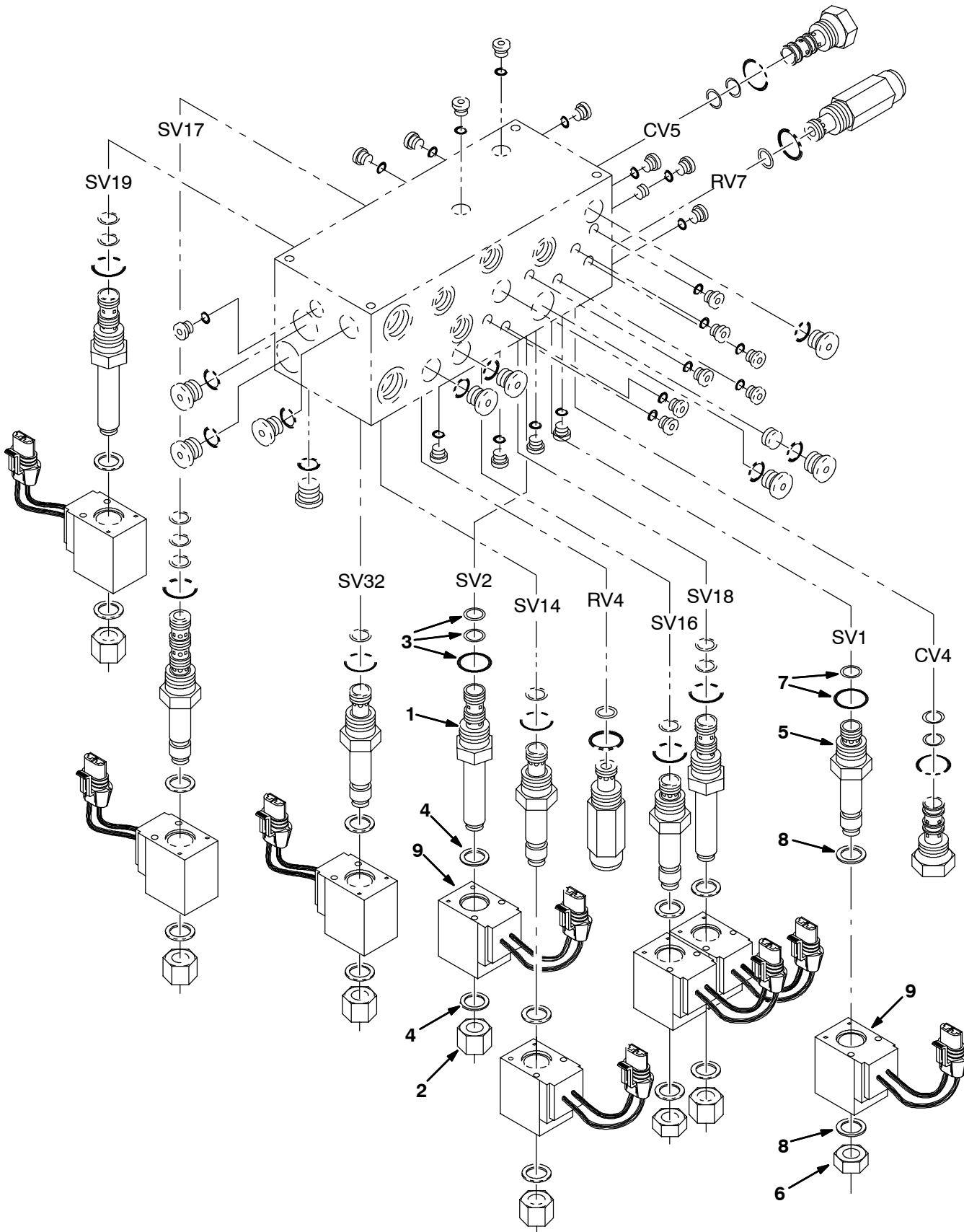


Fig. 19 - Hydraulic Solenoid Valve Breakdown, 767007

Ref.	TENNANT Part No.	Manufacturer Serial Number	Description	Qty.
▽	767007	(000000-) Valve, Hyd Control Sol	1
▲▽	1 21906	(000000-) Valve Stem 3W2P	2
▲▲	2 79731	(000000-) Nut	1
▲▲	3 79711	(000000-) Seal Kit, Cart	1
▲▲	4 79740	(000000-) Seal Kit, Coil	2
▲▽	5 79716	(000000-) Valve Stem	1
▲▲	6 79728	(000000-) Nut	1
▲▲	7 79711	(000000-) Seal Kit, Cart	1
▲▲	8 79740	(000000-) Seal Kit, Coil	2
▲▽	9 22680	(000000-) Valve Stem N.O. Cp	2
▲	10 22685	(000000-) Coil, 12V Cp	2
▲▽	11 79719	(000000-) Valve Stem 4W2P	1
▲▲	12 79731	(000000-) Nut	1
▲▲	13 79711	(000000-) Seal Kit, Cart	1
▲▲	14 79740	(000000-) Seal Kit, Coil	2
▲	15 21916	(000000-) Coil, 12V Cp	4
▲▽	16 22689	(000000-) Cart, Psi Cn Cp	1
▲▲	17 79711	(000000-) Seal Kit, Cart	1
▲▽	18 21919	(000000-) Cart, Pilot Chk	2
▲▲	19 79711	(000000-) Seal Kit, Cart	1
▲▽	20 22687	(000000-) Plug, Cavity Cp	1
▲▲	21 79711	(000000-) Seal Kit, Cart	1
▲▽	22 22688	(000000-) Cart, Psi Cn Cp	1
▲▲	23 79711	(000000-) Seal Kit, Cart	1
▲	24 13902	(000000-) Plug	1
▲	25 79723	(000000-) Plug	1
▲	26 13904	(000000-) Plug, Gauge	4
▲	27 22690	(000000-) Plug, Orifice Cp	1
▲	28 74098	(000000-) Plug	5

**Fig. 20 - Hydraulic Solenoid Valve Breakdown, 767007
(For High Dump Hopper Lift Option)**



**Fig. 20 - Hydraulic Solenoid Valve Breakdown, 767007
(For High Dump Hopper Lift Option)**

	Ref.	TENNANT Part No.	Manufacturer Serial Number	Description	Qty.
▽		767007	(000000-) Valve, Hyd Control Sol	1
▲▽	1	21906	(000000-) Valve Stem 3W2P	2
▲▲	2	79731	(000000-) Nut	1
▲▲	3	79711	(000000-) Seal Kit, Cart	1
▲▲	4	79740	(000000-) Seal Kit, Coil	2
▲▽	5	79716	(000000-) Valve Stem	1
▲▲	6	79728	(000000-) Nut	1
▲▲	7	79711	(000000-) Seal Kit, Cart	1
▲▲	8	79740	(000000-) Seal Kit, Coil	2
▲	9	21916	(000000-) Coil, 12V Cp	4

Fig. 21 - Hydraulic Solenoid Valve Breakdown, 768899

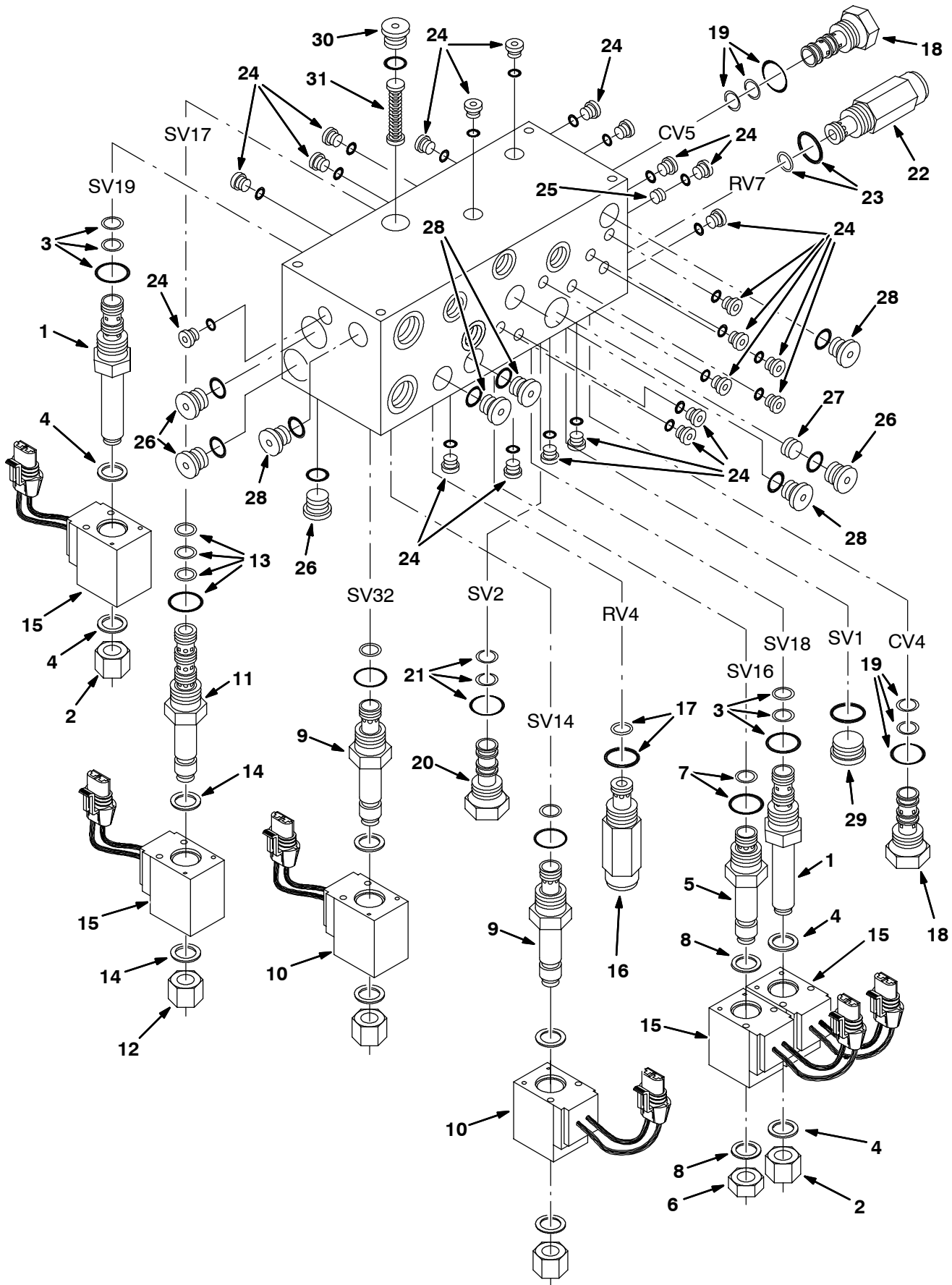
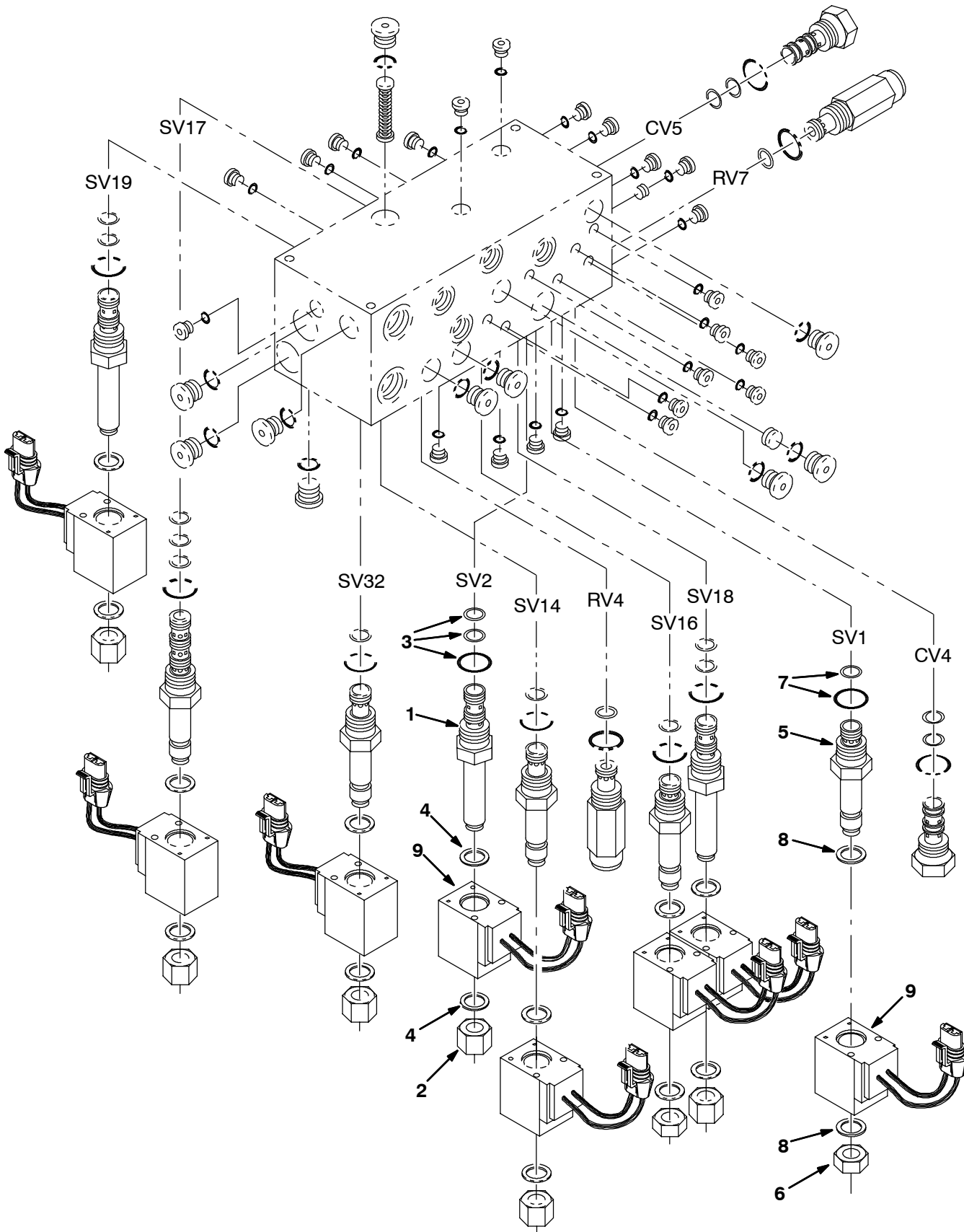


Fig. 21 - Hydraulic Solenoid Valve Breakdown, 768899

Ref.	TENNANT Part No.	Manufacturer Serial Number	Description	Qty.
▽	768899	(000000-) Valve, Hyd Control Sol	1
▲▽	1 79718	(000000-) Valve Stem 3W2P	2
▲▲	2 79731	(000000-) Nut	1
▲▲	3 79711	(000000-) Seal Kit, Cart	1
▲▲	4 79740	(000000-) Seal Kit, Coil	2
▲▽	5 79716	(000000-) Valve Stem	1
▲▲	6 79728	(000000-) Nut	1
▲▲	7 79711	(000000-) Seal Kit, Cart	1
▲▲	8 79740	(000000-) Seal Kit, Coil	2
▲▽	9 22680	(000000-) Valve Stem N.O. Cp	2
▲	10 22685	(000000-) Coil, 12V Cp	2
▲▽	11 79719	(000000-) Valve Stem 4W2P	1
▲▲	12 79731	(000000-) Nut	1
▲▲	13 79711	(000000-) Seal Kit, Cart	1
▲▲	14 79740	(000000-) Seal Kit, Coil	2
▲	15 21916	(000000-) Coil, 12V Cp	4
▲▽	16 22689	(000000-) Cart, Psi Cn Cp	1
▲▲	17 79711	(000000-) Seal Kit, Cart	1
▲▽	18 373417	(000000-) Cart, Pilot Chk	2
▲▲	19 79711	(000000-) Seal Kit, Cart	1
▲▽	20 22687	(000000-) Plug, Cavity Cp	1
▲▲	21 79711	(000000-) Seal Kit, Cart	1
▲▽	22 22688	(000000-) Cart, Psi Cn Cp	1
▲▲	23 79711	(000000-) Seal Kit, Cart	1
▲	24 13902	(000000-) Plug	26
▲	25 79723	(000000-) Plug	2
▲	26 13904	(000000-) Plug, Gauge	5
▲	27 22690	(000000-) Plug, Orifice Cp	1
▲	28 74098	(000000-) Plug	6
▲	29 74099	(000000-) Plug	1
▲	30 13907	(000000-) Plug	1
▲	31 373418	(000000-) Filter, 10 Micron	1

**Fig. 22 - Hydraulic Solenoid Valve Breakdown, 768899
(For High Dump Hopper Lift Option)**



**Fig. 22 - Hydraulic Solenoid Valve Breakdown, 768899
(For High Dump Hopper Lift Option)**

	Ref.	TENNANT Part No.	Manufacturer Serial Number	Description	Qty.
▽		768899	(000000-) Valve, Hyd Control Sol	1
▲▽	1	79718	(000000-) Valve Stem 3W2P	1
▲▲	2	79731	(000000-) Nut	1
▲▲	3	79711	(000000-) Seal Kit, Cart	1
▲▲	4	79740	(000000-) Seal Kit, Coil	2
▲▽	5	79716	(000000-) Valve Stem	1
▲▲	6	79728	(000000-) Nut	1
▲▲	7	79711	(000000-) Seal Kit, Cart	1
▲▲	8	79740	(000000-) Seal Kit, Coil	2
▲	9	21916	(000000-) Coil, 12V Cp	2

Fig. 23 - Hydraulic Solenoid Valve Breakdown, 767008

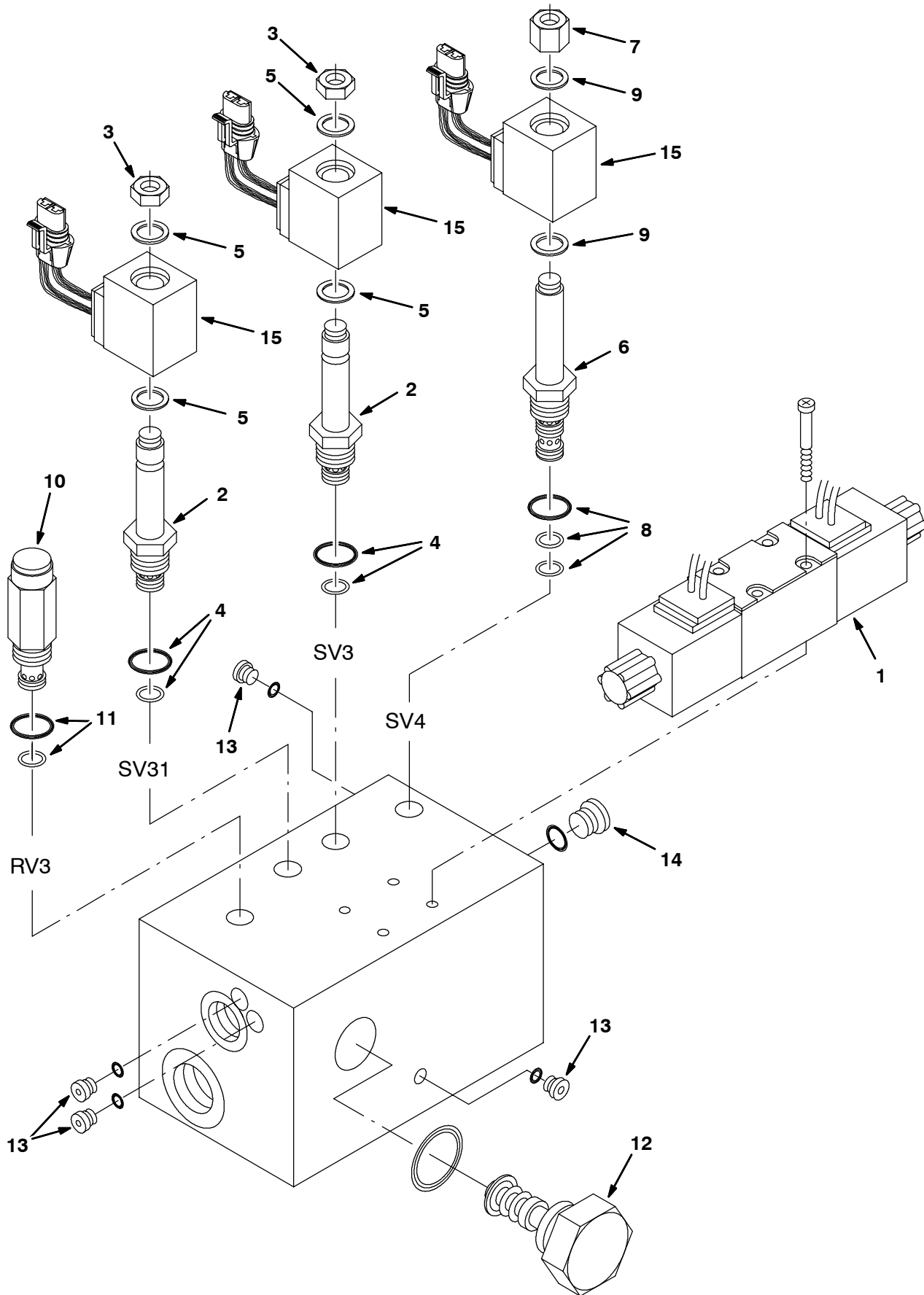


Fig. 23 - Hydraulic Solenoid Valve Breakdown, 767008

	Ref.	TENNANT Part No.	Manufacturer Serial Number	Description	Qty.
▽		767008	(000000-) Valve, Hyd Cntrl Sol	1
▲	1	22682	(000000-) Valve, 3P4W Do3 Cp	1
▲▽	2	79716	(000000-) Valve Stem	2
▲▲	3	79728	(000000-) Nut	1
▲▲	4	79711	(000000-) Seal Kit, Cart	1
▲▲	5	79740	(000000-) Seal Kit, Coil	2
▲▽	6	21906	(000000-) Valve Stem 3W2P	1
▲▲	7	79731	(000000-) Nut	1
▲▲	8	79711	(000000-) Seal Kit, Cart	1
▲▲	9	79740	(000000-) Seal Kit, Coil	2
▲▽	10	22689	(000000-) Cart, Psi Cn Cp	1
▲▲	11	79711	(000000-) Seal Kit, Cart	1
▲	12	22678	(000000-) Vlv, Thermostat Cp	1
▲	13	13902	(000000-) Plug	6
▲	14	13904	(000000-) Plug, Gauge	1
▲	15	21916	(000000-) Solenoid, 12V	3

Fig. 24 - Hydraulic Solenoid Valve Breakdown, 767009

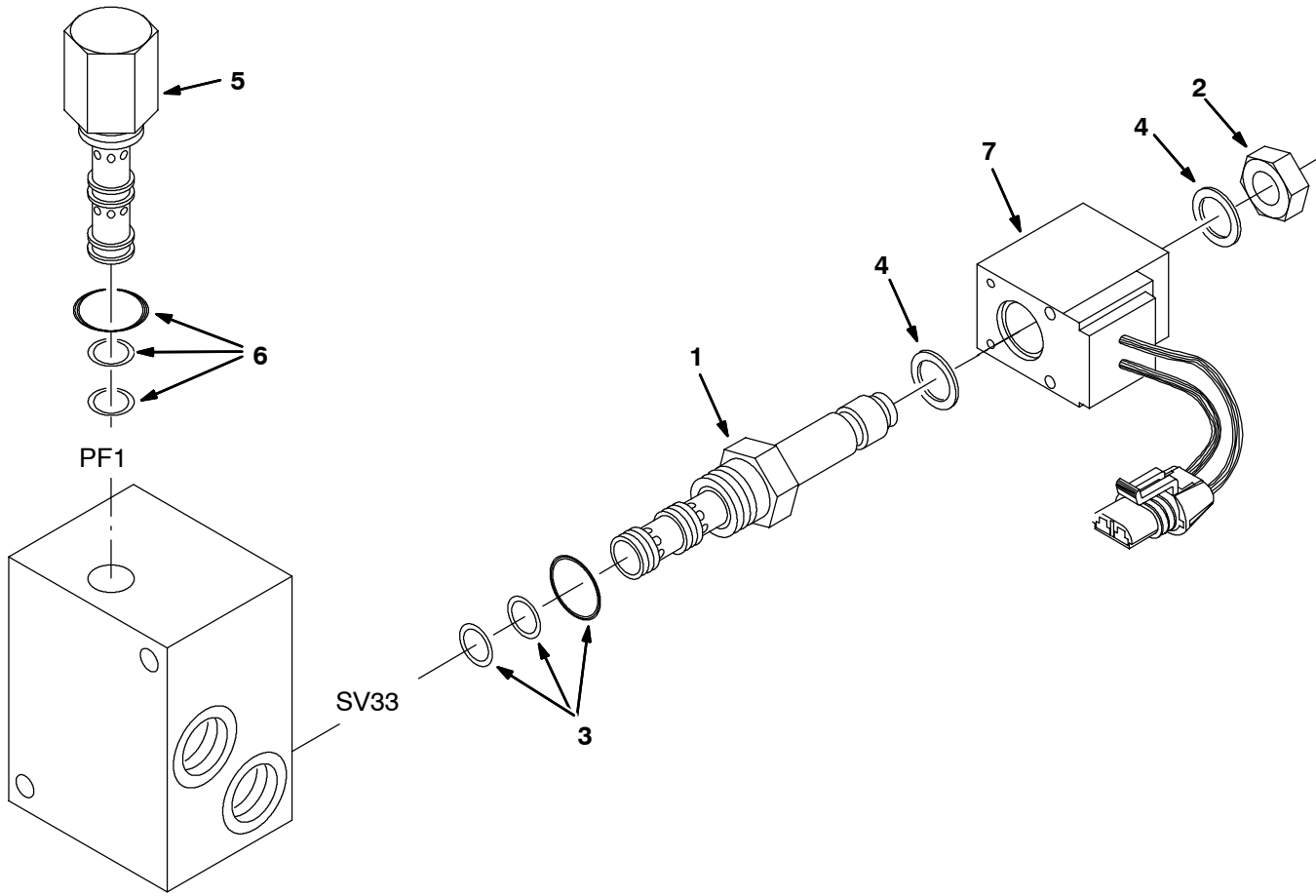
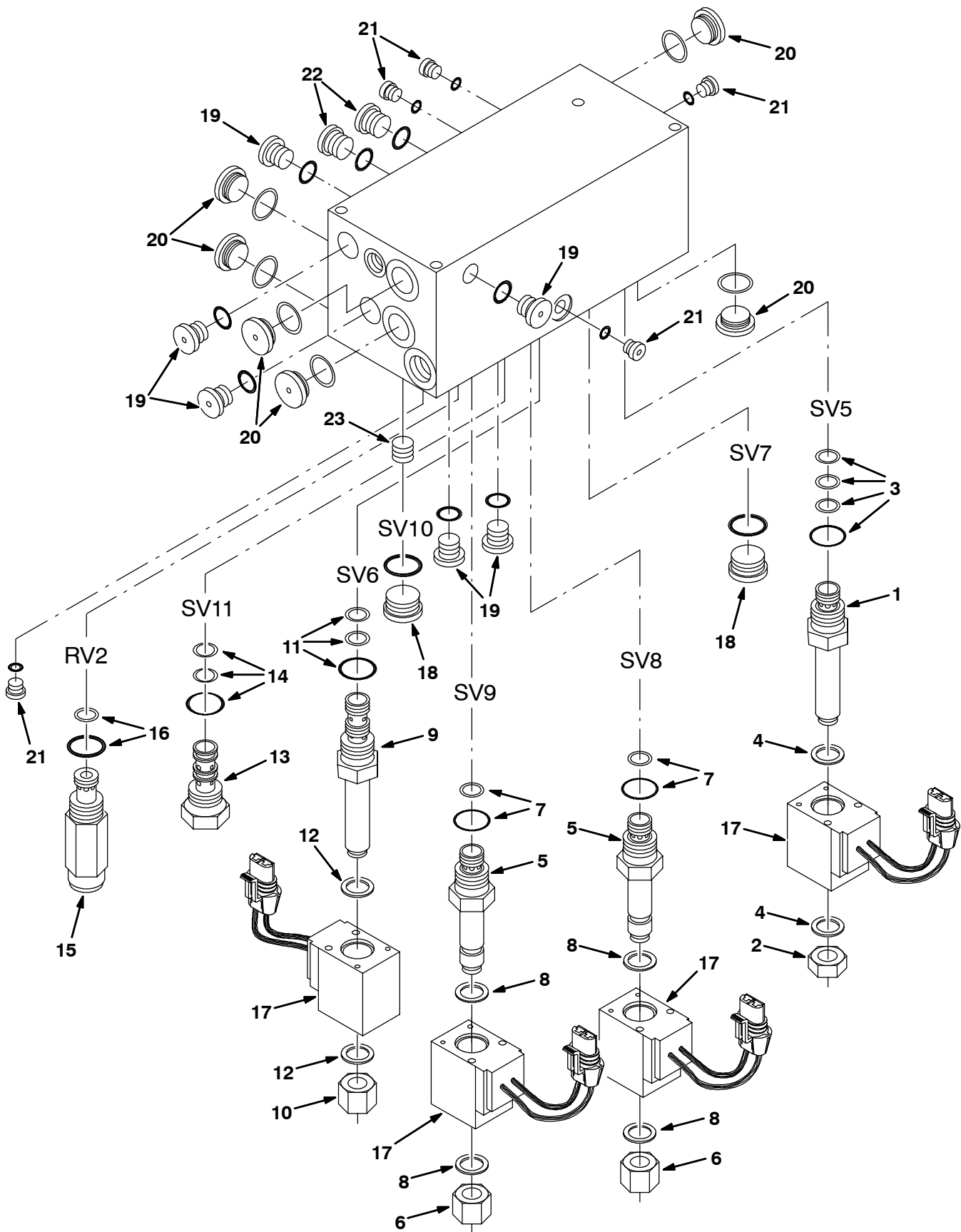


Fig. 24 - Hydraulic Solenoid Valve Breakdown, 767009

	Ref.	TENNANT Part No.	Manufacturer Serial Number	Description	Qty.
▽		767009	(000000-) Valve, Hyd Cntrl Sol	1
▲▽	1	79716	(000000-) Valve Stem	1
▲▲	2	79728	(000000-) Nut	1
▲▲	3	79711	(000000-) Seal Kit, Cart	1
▲▲	4	79740	(000000-) Seal Kit, Coil	2
▲▽	5	22692	(000000-) Cart, Priority Cp	1
▲▲	6	22699	(000000-) Seal Kit, Cart. Cp	1
▲	7	21916	(000000-) Solenoid, 12V	1

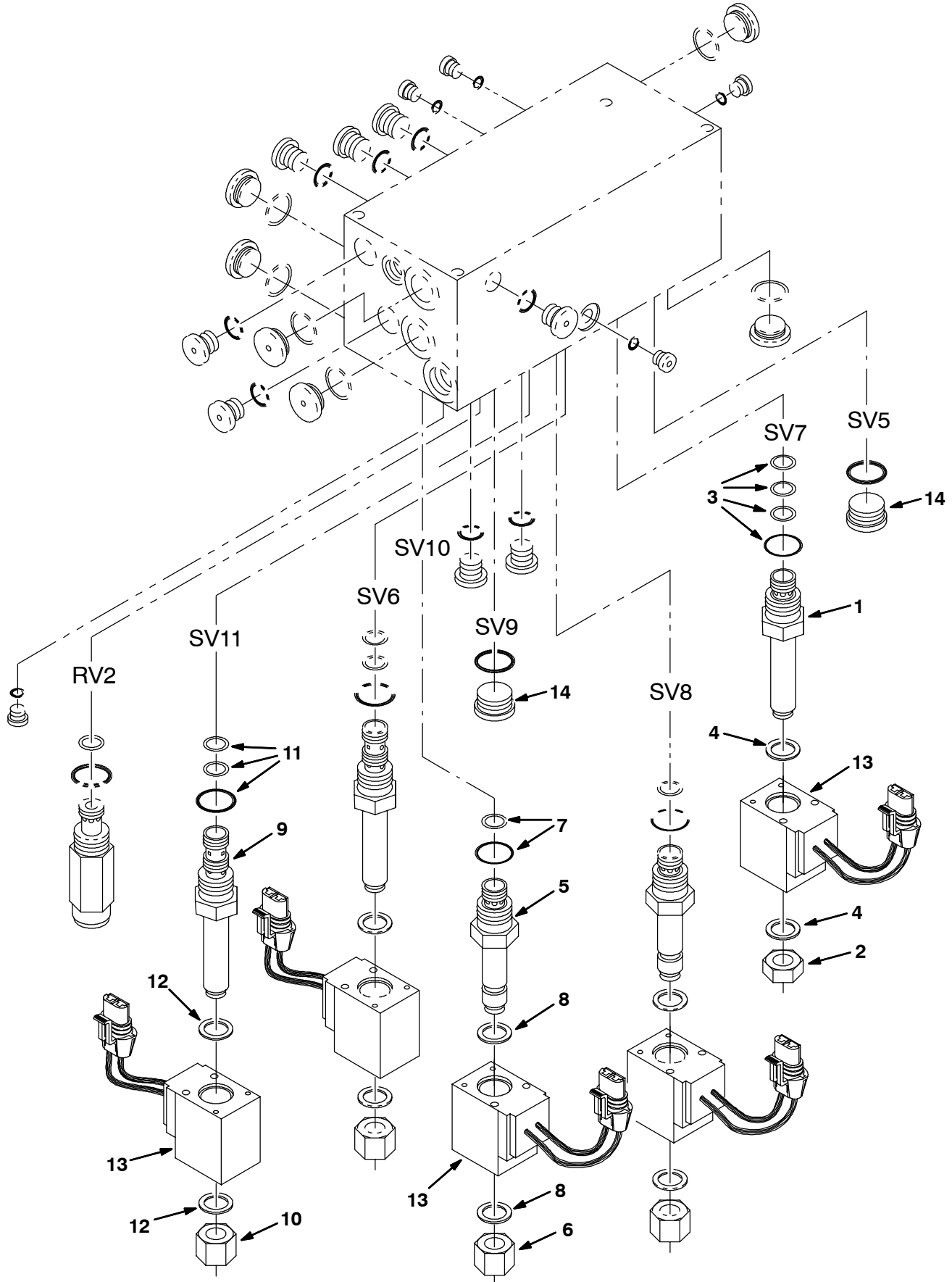
**Fig. 25 - Hydraulic Solenoid Valve Breakdown, 767220
(For Standard R.H. Side Brush)**



**Fig. 25 - Hydraulic Solenoid Valve Breakdown, 767220
(For Standard R.H. Side Brush)**

Ref.	TENNANT Part No.	Manufacturer Serial Number	Description	Qty.
▽	767220	(000000-) Valve, Hyd Cntrl Sol	1
▲▽	1 79716	(000000-) Valve Stem	1
▲▲	2 79728	(000000-) Nut	1
▲▲	3 79711	(000000-) Seal Kit, Cart	1
▲▲	4 79740	(000000-) Seal Kit, Coil	2
▲▽	5 79732	(000000-) Valve Stem	2
▲▲	6 79731	(000000-) Nut	1
▲▲	7 79711	(000000-) Seal Kit, Cart	1
▲	8 79740	(000000-) Seal Kit, Coil	2
▲▽	9 21906	(000000-) Valve Stem 3W2P	1
▲▲	10 79731	(000000-) Nut	1
▲▲	11 79711	(000000-) Seal Kit, Cart	1
▲▲	12 79740	(000000-) Seal Kit, Coil	2
▲▽	13 22687	(000000-) Plug, Cavity Cp	1
▲▲	14 79711	(000000-) Seal Kit, Cart	1
▲▽	15 22689	(000000-) Cart, Psi Cn Cp	1
▲▲	16 79711	(000000-) Seal Kit, Cart	1
▲	17 21916	(000000-) Solenoid, 12V	4
▲	18 74099	(000000-) Plug	2
▲	19 74098	(000000-) Plug	6
▲	20 13907	(000000-) Plug	6
▲	21 13902	(000000-) Plug	5
▲	22 13904	(000000-) Plug, Gauge	2
▲	23 767219	(000000-) Plug, Set Screw (Vario Brush only)	1

**Fig. 26 - Hydraulic Solenoid Valve Breakdown, 767220
(For Standard L.H. Side Brush)**



**Fig. 26 - Hydraulic Solenoid Valve Breakdown, 767220
(For Standard L.H. Side Brush)**

	Ref.	TENNANT Part No.	Manufacturer Serial Number	Description	Qty.
▽		767220	(000000-) Valve, Hyd Cntrl Sol	1
▲▽	1	79716	(000000-) Valve Stem	1
▲▲	2	79728	(000000-) Nut	1
▲▲	3	79711	(000000-) Seal Kit, Cart	1
▲▲	4	79740	(000000-) Seal Kit, Coil	2
▲▽	5	79732	(000000-) Valve Stem	1
▲▲	6	79731	(000000-) Nut	1
▲▲	7	79711	(000000-) Seal Kit, Cart	1
▲	8	79740	(000000-) Seal Kit, Coil	2
▲▽	9	21906	(000000-) Valve Stem 3W2P	1
▲▲	10	79731	(000000-) Nut	1
▲▲	11	79711	(000000-) Seal Kit, Cart	1
▲▲	12	79740	(000000-) Seal Kit, Coil	2
▲	13	21916	(000000-) Solenoid, 12vdc, Valve, Hyd	3
▲	14	74099	(000000-) Seal Kit, Cart	2

Fig. 27 - Hydraulic Solenoid Valve Breakdown, 767208

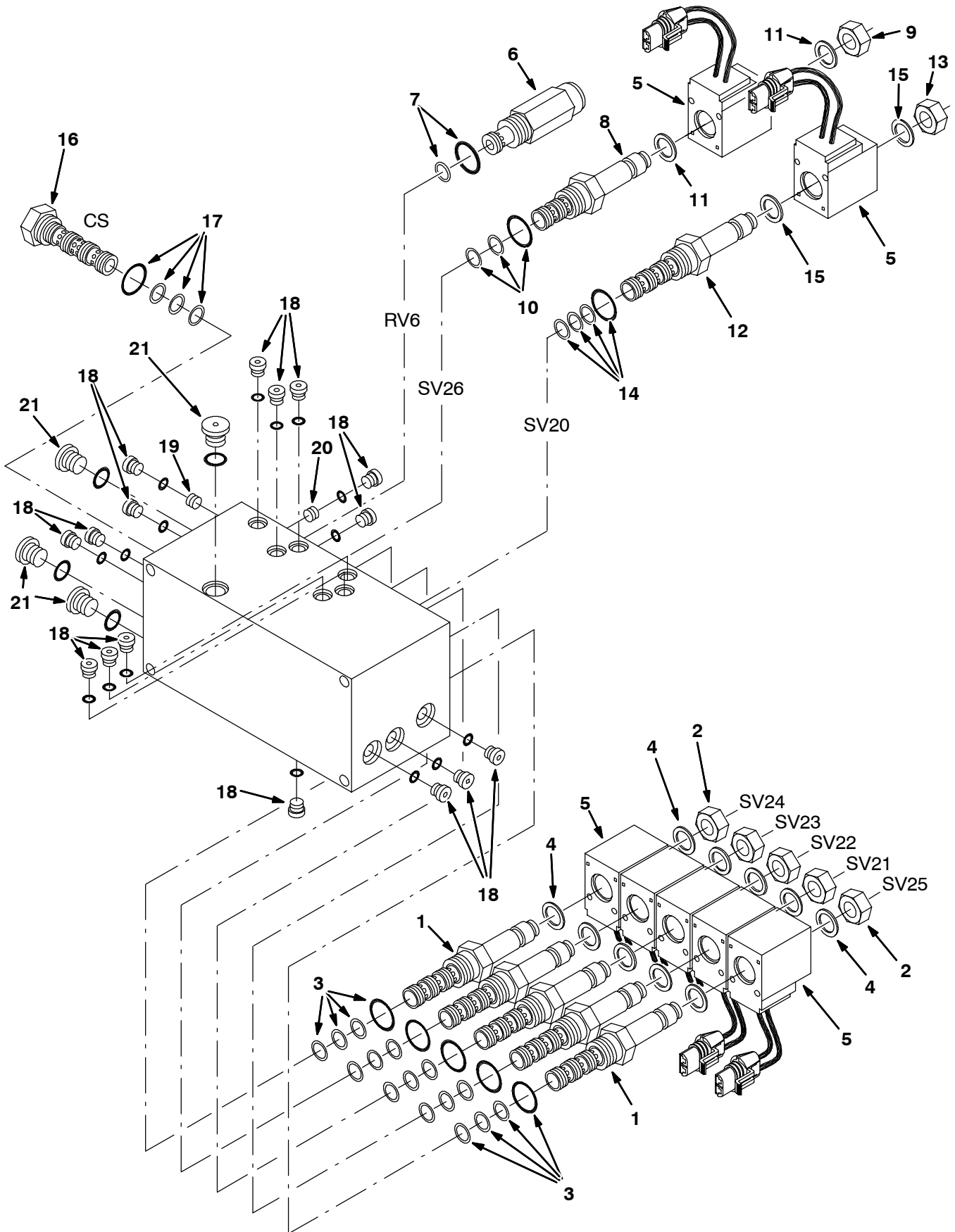


Fig. 27 - Hydraulic Solenoid Valve Breakdown, 767208

Ref.	TENNANT Part No.	Manufacturer Serial Number	Description	Qty.
▽	767208	(000000-) Valve, Hyd Cntrl Sol - Vario	1
▲▽	1 22697	(000000-) Valve Stem 4W2P Cp	5
▲▲	2 79728	(000000-) Nut	1
▲▲	3 22698	(000000-) Seal Kit, Cart. Cp	1
▲▲	4 79740	(000000-) Seal Kit, Coil	2
▲	5 22681	(000000-) Coil, 12V Cp	7
▲▽	6 22693	(000000-) Cart,Psi Cn Cp	1
▲▲	7 22698	(000000-) Seal Kit, Cart. Cp	1
▲▽	8 22694	(000000-) Valve Stem 3W2P Cp	1
▲▲	9 79728	(000000-) Nut	1
▲▲	10 22698	(000000-) Seal Kit, Cart. Cp	1
▲▲	11 79740	(000000-) Seal Kit, Coil	2
▲▽	12 22696	(000000-) Valve Stem 4W2P Cp	1
▲▲	13 79728	(000000-) Nut	1
▲▲	14 22698	(000000-) Seal Kit, Cart. Cp	1
▲▲	15 79740	(000000-) Seal Kit, Coil	2
▲▽	16 22691	(000000-) Cart,Logic Cntl Cp	1
▲▲	17 22699	(000000-) Seal Kit, Cart. Cp	1
▲	18 13902	(000000-) Plug	17
▲	19 22670	(000000-) Plug, Orifice Cp	1
▲	20 79723	(000000-) Plug	1
▲	21 74098	(000000-) Plug	6

Fig. 28 - Hydraulic Solenoid Valve Breakdown, 767215

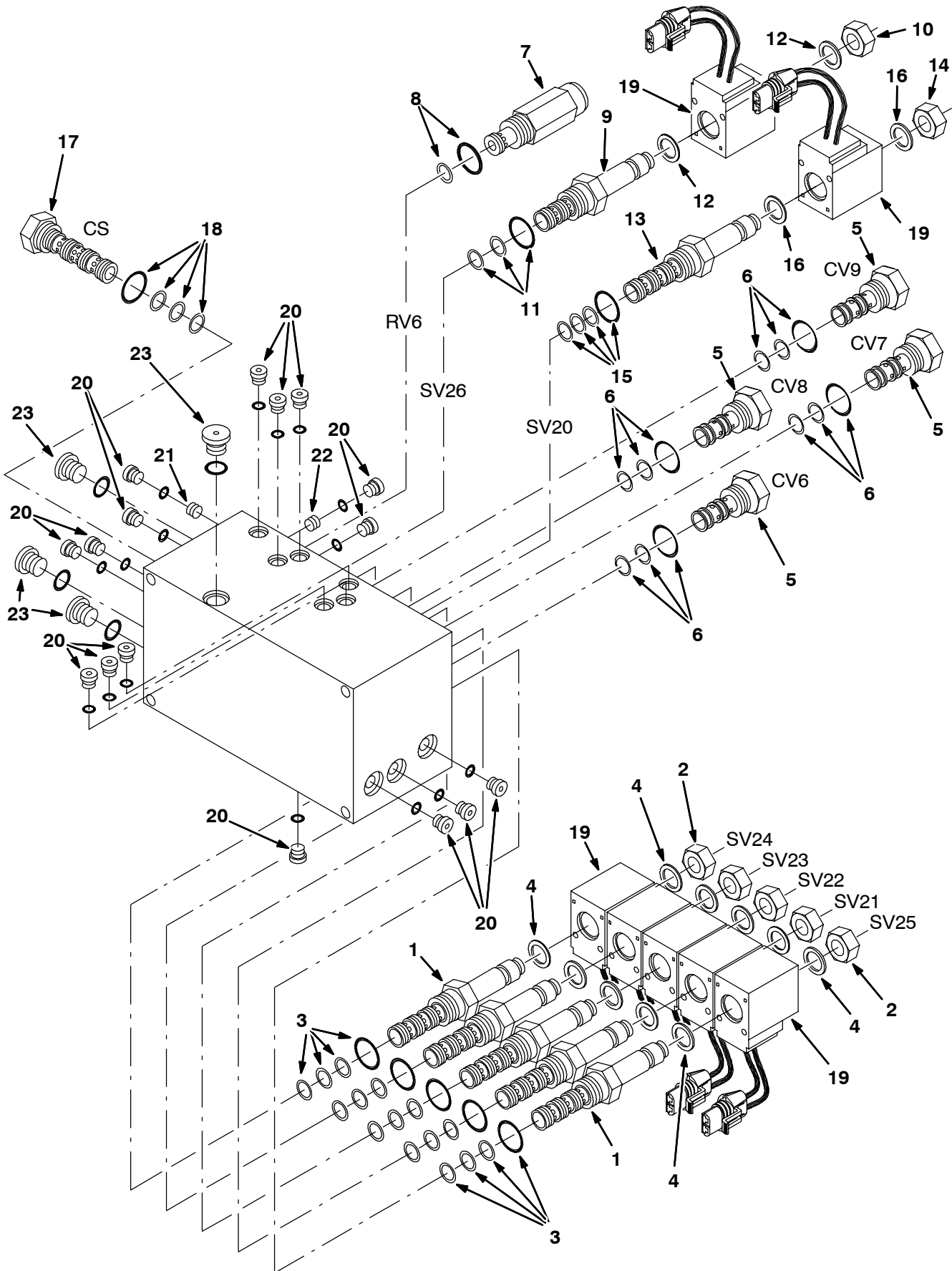


Fig. 28 - Hydraulic Solenoid Valve Breakdown, 767215

373470

Ref.	TENNANT Part No.	Manufacturer Serial Number	Description	Qty.
▽	767215	(000000-) Valve, Hyd Cntrl Sol	1
▲▽	1 22697	(000000-) Valve Stem 4W2P Cp	5
▲▲	2 79728	(000000-) Nut	1
▲▲	3 22698	(000000-) Seal Kit, Cart. Cp	1
▲▲	4 79740	(000000-) Seal Kit, Coil	2
▲▽	5 22679	(000000-) Cart,Pilot Cntr Cp	4
▲▲	6 22698	(000000-) Seal Kit, Cart. Cp	1
▲▽	7 22693	(000000-) Cart,Psi Cn Cp	1
▲▲	8 22698	(000000-) Seal Kit, Cart. Cp	1
▲▽	9 22694	(000000-) Valve Stem 3W2P Cp	1
▲▲	10 79728	(000000-) Nut	1
▲▲	11 22698	(000000-) Seal Kit, Cart. Cp	1
▲▲	12 79740	(000000-) Seal Kit, Coil	2
▲▽	13 22696	(000000-) Valve Stem 4W2P Cp	1
▲▲	14 79728	(000000-) Nut	1
▲▲	15 22698	(000000-) Seal Kit, Cart. Cp	1
▲▲	16 79740	(000000-) Seal Kit, Coil	2
▲▽	17 22691	(000000-) Cart,Logic Cntl Cp	1
▲▲	18 22699	(000000-) Seal Kit, Cart. Cp	1
▲	19 22681	(000000-) Coil, 12V Cp	7
▲	20 13902	(000000-) Plug	17
▲	21 22670	(000000-) Plug, Orifice Cp	1
▲	22 79723	(000000-) Plug	1
▲	23 74098	(000000-) Plug	6

Fig. 29 - Hydraulic Solenoid Valve Breakdown, 767207

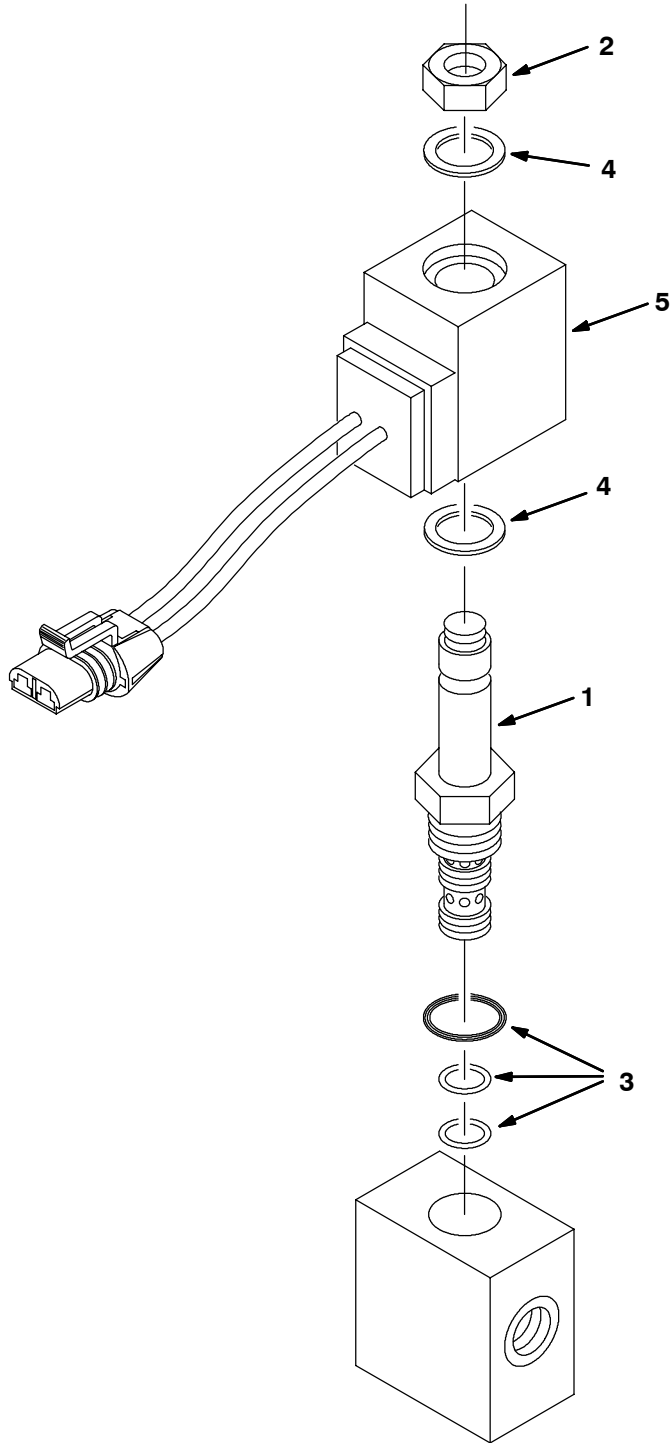


Fig. 29 - Hydraulic Solenoid Valve Breakdown, 767207

	Ref.	TENNANT Part No.	Manufacturer Serial Number	Description	Qty.
▽		767207	(000000-) Valve, Hyd Cntrl Sol	1
▲▽	1	22694	(000000-) Valve Stem	1
▲▲	2	373360	(000000-) Nut	1
▲▲	3	22698	(000000-) Seal Kit, Cartridge	1
▲▲	4	373361	(000000-) Seal Kit, Coil	1
▲	5	22681	(000000-) Coil	1

Fig. 30 - Hydraulic Solenoid Valve Breakdown, 768883

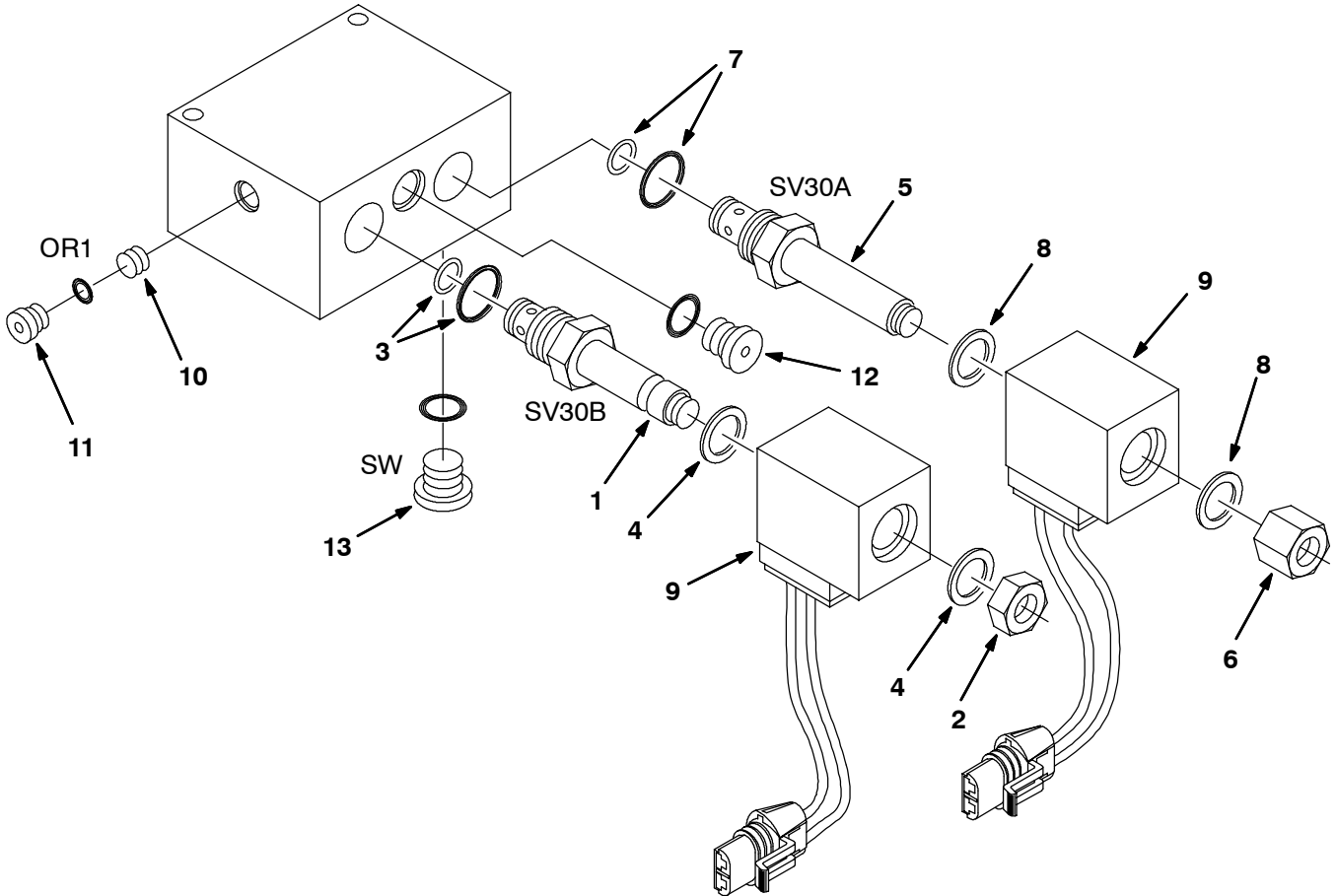
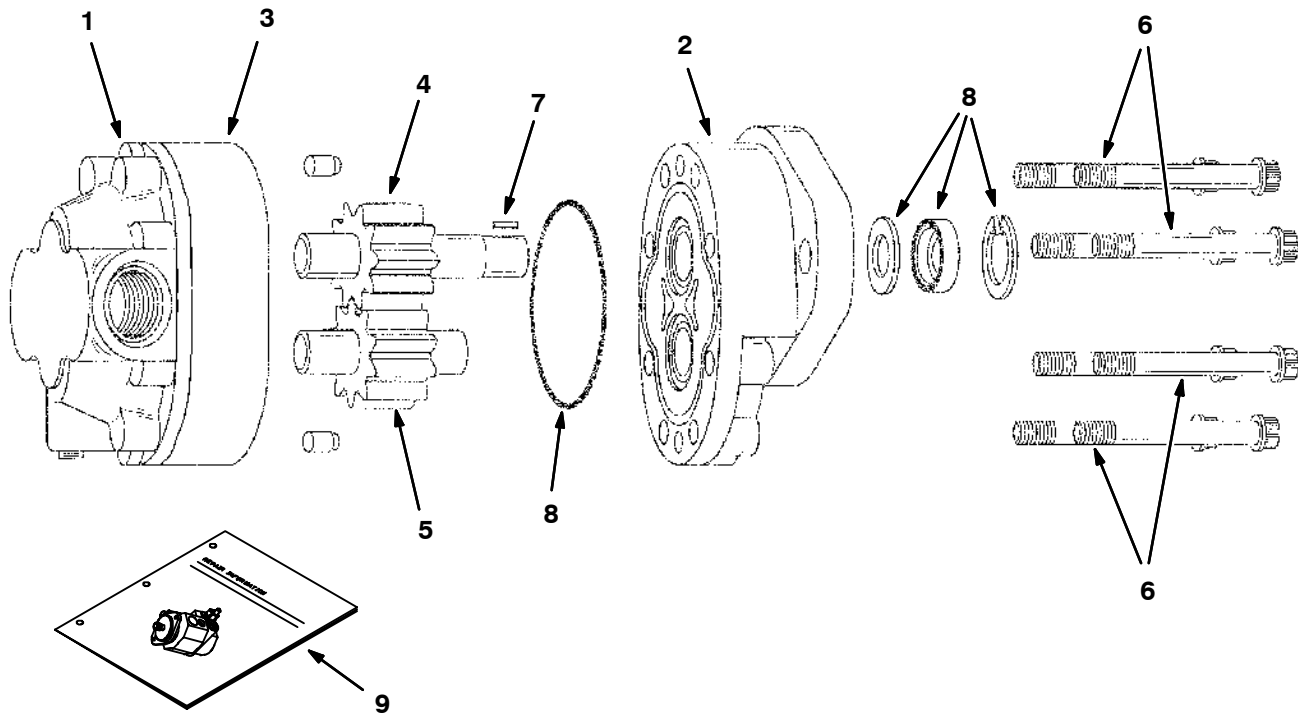


Fig. 30 - Hydraulic Solenoid Valve Breakdown, 768883

	TENNANT	Manufacturer			
Ref.	Part No.	Serial Number	Description	Qty.	
▽	768883	(000000-)	Valve, Hyd, Solenoid	1
▲▽	1 768890	(000000-)	Valve Stem, NC	1
▲▲	2 373360	(000000-)	Nut	1
▲▲	3 373342	(000000-)	Seal Kit, Cartridge	1
▲▲	4 373361	(000000-)	Seal Kit, Coil	1
▲▽	5 768891	(000000-)	Valve Stem, NO	1
▲▲	6 373416	(000000-)	Nut	1
▲▲	7 373342	(000000-)	Seal Kit, Cartridge	1
▲▲	8 373361	(000000-)	Seal Kit, Coil	1
▲	9 22681	(000000-)	Coil, 12VDC	2
▲	10 21920	(000000-)	Plug	1
▲	11 13902	(000000-)	Plug	1
▲	12 74098	(000000-)	Plug	1
▲	13 13904	(000000-)	Plug	1

Fig. 31 - Hydraulic Motor Breakdown, 762032



Ref.	TENNANT Part No.	Manufacturer Serial Number	Description	Qty.	
▽	762032	(000000-) Motor, Hyd, Vacfan 1.02 Cid	1	
▲	1	373561	(000000-) Backplate	1
▲	2	373562	(000000-) Frontplate	1
▲	3	373563	(000000-) Body	1
▲	4	373564	(000000-) Drive Gear	1
▲	5	373565	(000000-) Idler Gear	1
▲	6	373212	(000000-) Cap Screw	8
▲	7	373213	(000000-) Key	1
▲	8	762117	(000000-) Kit, Seal, Hyd Motor	1
	9	373566	(000000-) Repair Info, Pmp	1

SECTION 5

Contents	Page
Fig. 1 - Cylinder Block Group	5-2
Fig. 2 - Crankshafts, Pistons and Connecting Rods Group	5-4
Fig. 3 - Cylinder Head Group	5-6
Fig. 4 - Rocker Shaft Group	5-8
Fig. 5 - Timing Gear and Camshaft Group	5-10
Fig. 6 - Lubricating Oil Pump Group	5-12
Fig. 7 - Flywheel Housing Group	5-14
Fig. 8 - Flywheel Group	5-15
Fig. 9 - Starter Motor Group	5-16
Fig. 10 - Starter Motor Breakdown	5-17
Fig. 11 - Fan Drive Group	5-18
Fig. 12 - Fan Group	5-19
Fig. 13 - Alternator Group	5-20
Fig. 14 - Water Pump Group	5-22
Fig. 15 - Front End Drive Input Group	5-24
Fig. 16 - Water Outlet Group	5-25
Fig. 17 - Gear Drive Group	5-26
Fig. 18 - Intake Heater Group	5-27
Fig. 19 - Engine Lifting Group	5-28
Fig. 20 - Mounting Group	5-29
Fig. 21 - Fuel Injection Group	5-30
Fig. 22 - Fuel Injection Line Group	5-32
Fig. 23 - Lubricating Oil Filter and Integral Oil Cooler Group	5-33
Fig. 24 - Lubricating Oil Sump Group	5-34
Fig. 25 - Lubricating Oil Filler and Breather Group	5-36
Fig. 26 - Induction Manifold Group	5-38
Fig. 27 - Exhaust Manifold Group	5-39
Fig. 28 - Exhaust Flange Group	5-40
Fig. 29 - Fuel Pump Group	5-41
Fig. 30 - Low Pressure Fuel Group	5-42
Fig. 31 - Fuel Filter Group	5-44
Fig. 32 - Fuel Line Group	5-45
Fig. 33 - Adaptor Group	5-46
Fig. 34 - Fuel Pre-Lift Pump Group	5-47
Fig. 35 - Top Gaskets Group	5-48
Fig. 36 - Bottom Gaskets Group	5-49

Fig. 1 - Cylinder Block Group

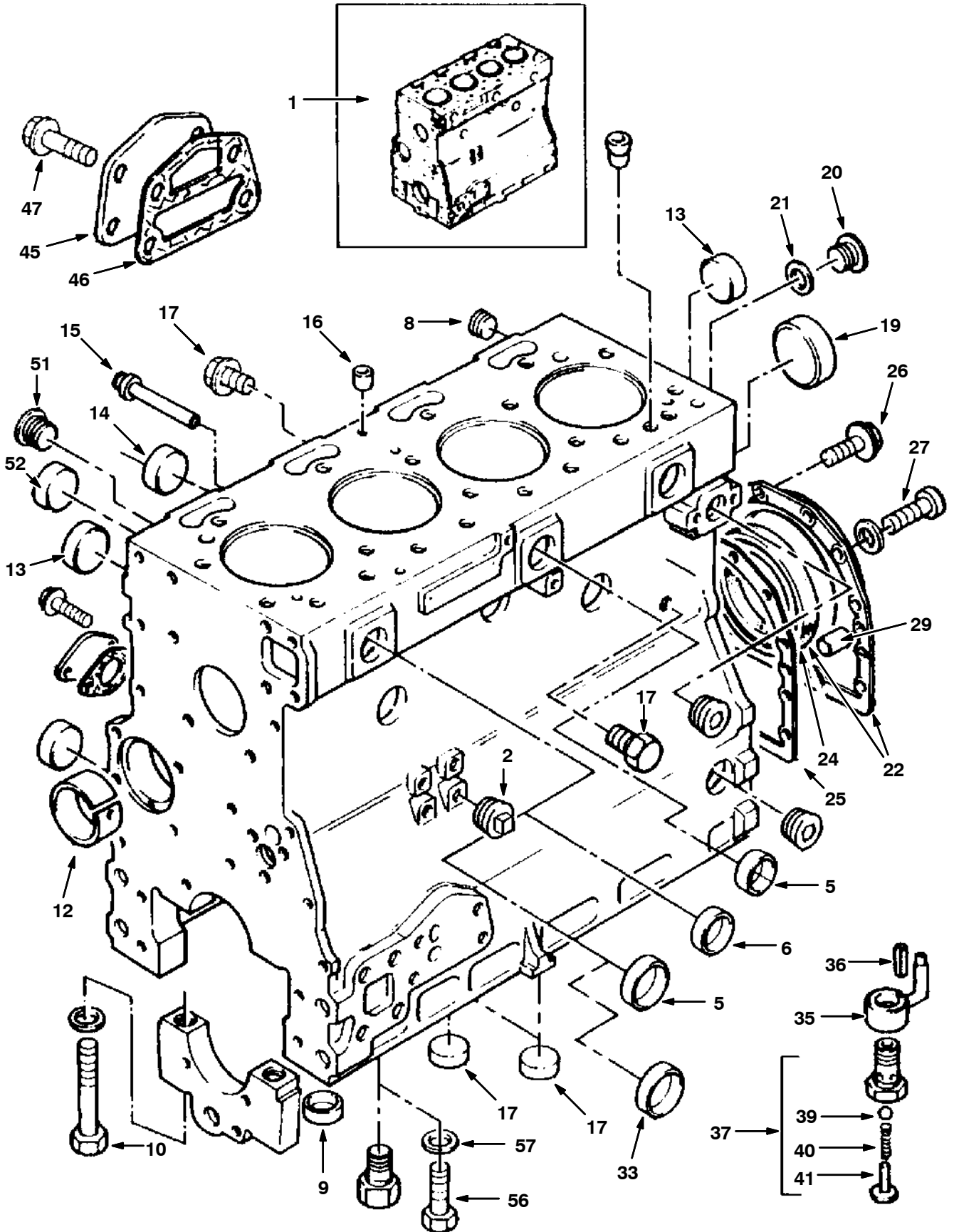


Fig. 1 - Cylinder Block Group

Ref.	Tennant Part No.	Perkins Part Number	Description	Qty.
1	766631	ZZ50280	BLOCK, CYLINDER	1
2	763924	0650594	PLUG	1
5	764404	0650710	PLUG	6
6	764455	0650713	PLUG	1
8	764403	0650588	PLUG	2
9	764456	33142111	THIMBLE	10
10	764461	32166329	BOLT	10
12	764953	31134165	BUSHING	1
13	764465	32418122	PLUG	6
14	764965	32416118	PLUG	3
15	764466	2485A204	PLUG	1
16	764467	32417134	PLUG	1
17	764836	32161114	PLUG	4
19	765039	32416119	PLUG	1
764470 20	766665	32168212	PLUG	1
21	764471	3311R003	WASHER	1
▽ 22	763802	4142V066	HOUSING	1
▲ 24	764473	2418F475	SEAL	1
25	765040	3681T012	JOINT	1
26	764409	2314H003	SCREW	12
27	765038	3212V002	SCREW	2
29	764478	0350009	DOWEL	2
33	766669	3314A103	PLUG	1
35	765036	4126X124	JET	1
36	765034	2116A022	DOWEL	1
▽ 37	763806	4138A017	VALVE	1
▲ 39	763807	2538753	BALL	1
▲ 40	763808	3174A004	SPRING	1
▲ 41	763809	3271A003	RETAINER	1
45	764743	3623H008	PLATE	1
46	764877	3687W008	JOINT	1
47	764744	2314J033	SCREW	4
51	766664	3212T006	PLUG	2
52	766666	32417145	PLUG	1
56	764481	2182110	SCREW	3
57	764482	0920469	SPACER	3
58	372946	U5MK8121	Block, Long, w/o cam shaft and lifters	1
59	372947	AR39789	Block, Short, w/o cam shaft and lifters	1

Fig. 2 - Crankshafts, Pistons and Connecting Rods Group

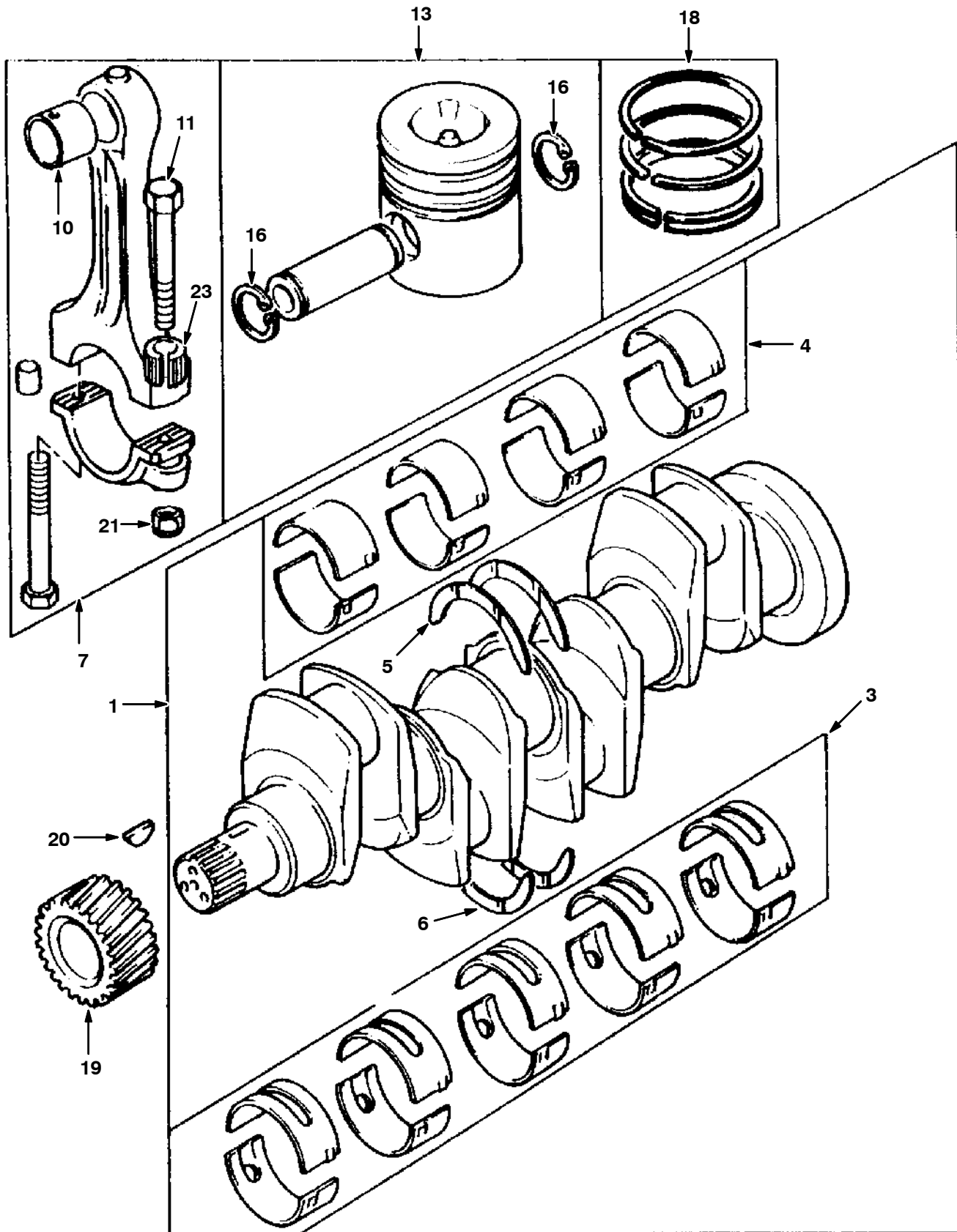


Fig. 2 - Crankshafts, Pistons and Connecting Rods Group

	Ref.	Tennant Part No.	Perkins Part Number	Description	Qty.
▽	1	764923	ZZ90145	KIT, CRANKSHAFT	1
▲	3	764484	81558	KIT, BEARING	1
▲	3	764485	81558A	KIT, BEARING	1
▲	3	764486	81558B	KIT, BEARING	1
▲	3	764487	81558C	KIT, BEARING	1
▲	4	763811	U5ME0006	KIT, BEARING	1
▲	4	763812	U5ME0006A	KIT, BEARING	1
▲	4	763813	U5ME0006B	KIT, BEARING	1
▲	4	763814	U5ME0006C	KIT, BEARING	1
▲	5	764493	31137312	THRUST WASHER, TOP	1
▲	5	764492	31137551	THRUST WASHER, TOP	1
▲	6	764495	31137322	THRUST WASHER, BOTTOM	1
▲	6	764494	31137561	THRUST WASHER, BOTTOM	1
	7	766634	ZZ90188	CONN ROD (HI GRADE)	4
	7	766635	ZZ90189	CONN ROD (INTERMEDIATE GR)	4
	7	766636	ZZ90190	CONN ROD (INTERMEDIATE GR)	4
	7	766637	ZZ90191	CONN ROD (LOW GRADE)	4
	10	764952	3112E011	BUSHING	1
	11	766667	32762145	SCREW	2
	13	766625	U5LP0058	KIT, PISTON (STD)	4
	13	766626	U5LP0058B	KIT, PISTON (+0.5MM)	4
	13	766627	U5LP0058D	KIT, PISTON (+1.0MM)	4
	16	764951	2721332	CIRCLIP	2
	18	766621	U4181A045	KIT, PISTON RING (STD)	4
	18	766622	U4181A046	KIT, PISTON RING (+0.5MM)	4
	18	766623	U4181A047	KIT, PISTON RING (+1.0MM)	4
	19	764503	3117C061	GEAR, CRANKSHAFT	1
	20	764402	0500012	WOODRUFF KEY	1
	21	764499	33221328	NUT	2
	23	766638	2135A001	THIMBLE	2

Fig. 3 - Cylinder Head Group

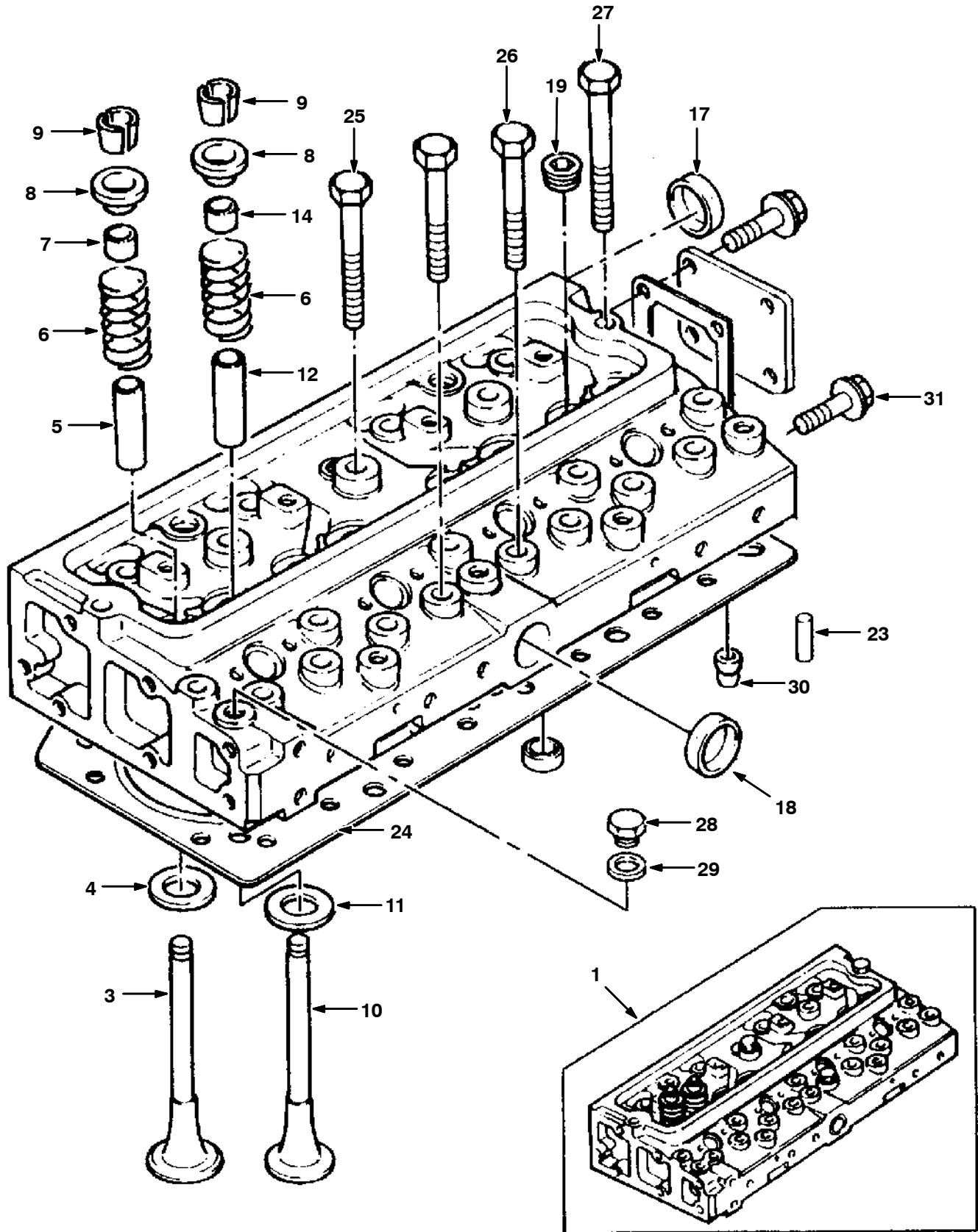


Fig. 3 - Cylinder Head Group

Ref.	Tennant Part No.	Perkins Part Number	Description	Qty.
1	766632	ZZ80255	HEAD, CYLINDER	1
3	766605	U3142H041	VALVE, INLET	4
4	766611	U3314A101	INSERT	4
5	766668	3313E021	GUIDE	4
6	766606	U3174P412	SPRING	8
7	766600	U2418M507	SEAL	4
8	764978	3342N011	CAP	8
9	766658	3142W004	PIN, COTTER	16
10	766604	U3142D061	VALVE, EXHAUST	4
11	766612	U3314A102	INSERT	4
12	766613	U3318A705	GUIDE	4
14	766648	2418M505	SEAL	4
17	764465	32418122	PLUG	1
18	764404	0650710	PLUG	1
19	764517	2431A054	PLUG	4
23	766610	U3244A009	PIN, DOWEL	2
24	766614	U3681E039	GASKET, HEAD	1
25	766607	U3218J303	SCREW	8
26	766608	U3218J606	SCREW	12
27	766609	U3218J607	SCREW	2
28	764834	0650203	PLUG	1
29	764835	2411157	WASHER	1
30	765037	29990001	DOWEL	2
31	764408	2314H002	SCREW	3

Fig. 4 - Rocker Shaft Group

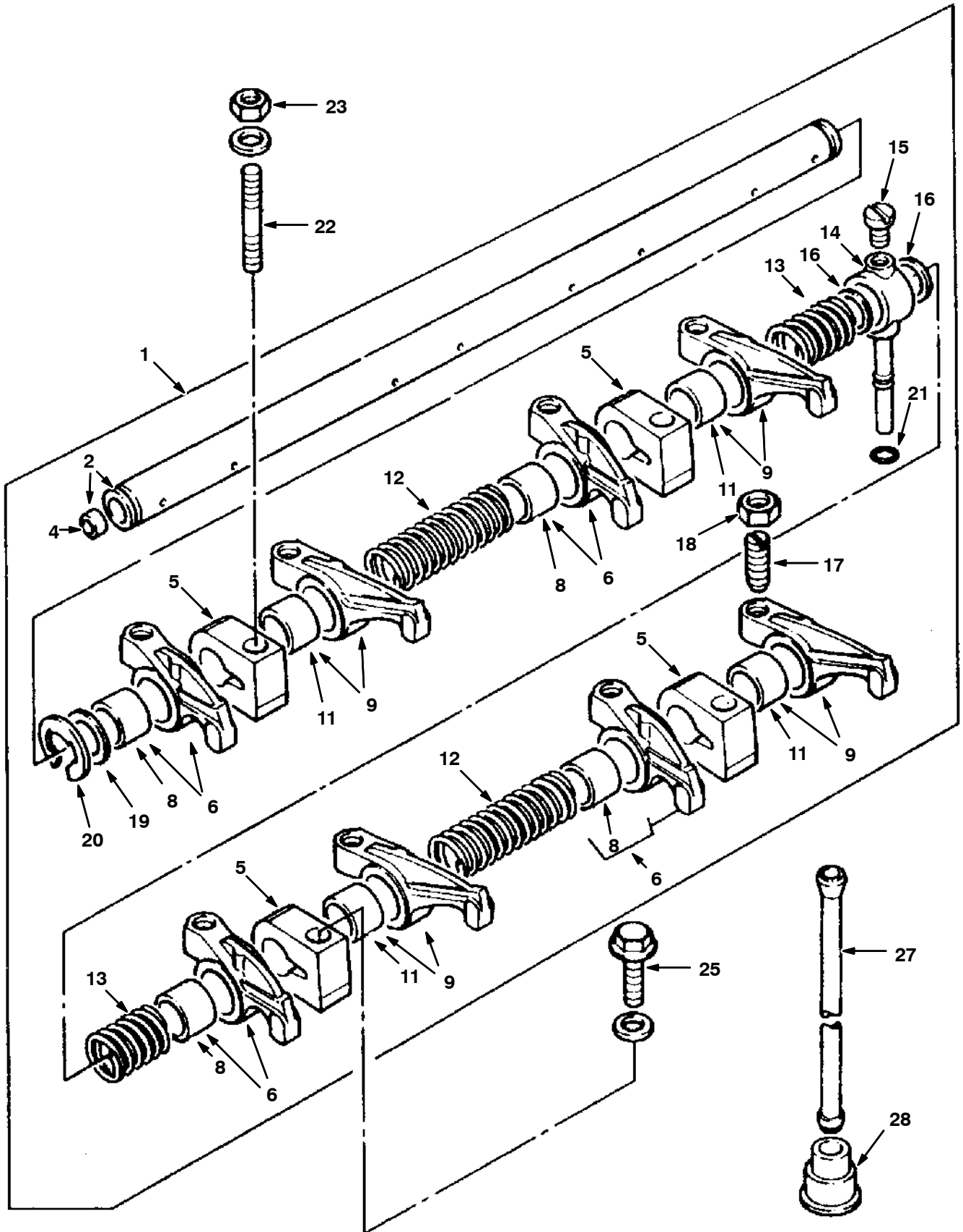


Fig. 4 - Rocker Shaft Group

	Ref.	Tennant Part No.	Perkins Part Number	Description	Qty.
▽	1	766633	ZZ90184	SHAFT, ROCKER	1
▲▽	2	764926	ZZ90172	ROCKERSHAFT	1
▲▲	4	764524	0650507	PLUG	2
▲	5	763830	3818X901	BRACKET	4
▲▽	6	765023	4115R005	LEVER	4
▲▲	8	764954	31134166	BUSHING	1
▲▽	9	765024	4115R006	LEVER	4
▲▲	11	764954	31134166	BUSHING	4
▲	12	764530	31744123	SPRING	2
▲	13	764531	31743108	SPRING	2
▲	14	764532	3775E012	CONNECTION	1
▲	15	764533	2233022	SCREW	1
▲	16	764535	33117426	SHIM	2
▲	17	764536	0720579	SCREW	8
▲	18	764537	0576052	NUT	8
▲	19	764971	3311K012	WASHER	2
▲	20	764539	0170151	CIRCLIP	2
▲	21	764434	33811113	OLIVE	1
	22	763832	2313H331	STUD	3
	23	764640	2318A605	NUT	3
	25	764543	2314J607	SCREW	1
	27	764544	31434307	PUSHROD	8
	28	765042	3142U031	TAPPET	8

Fig. 5 - Timing Gear and Camshaft Group

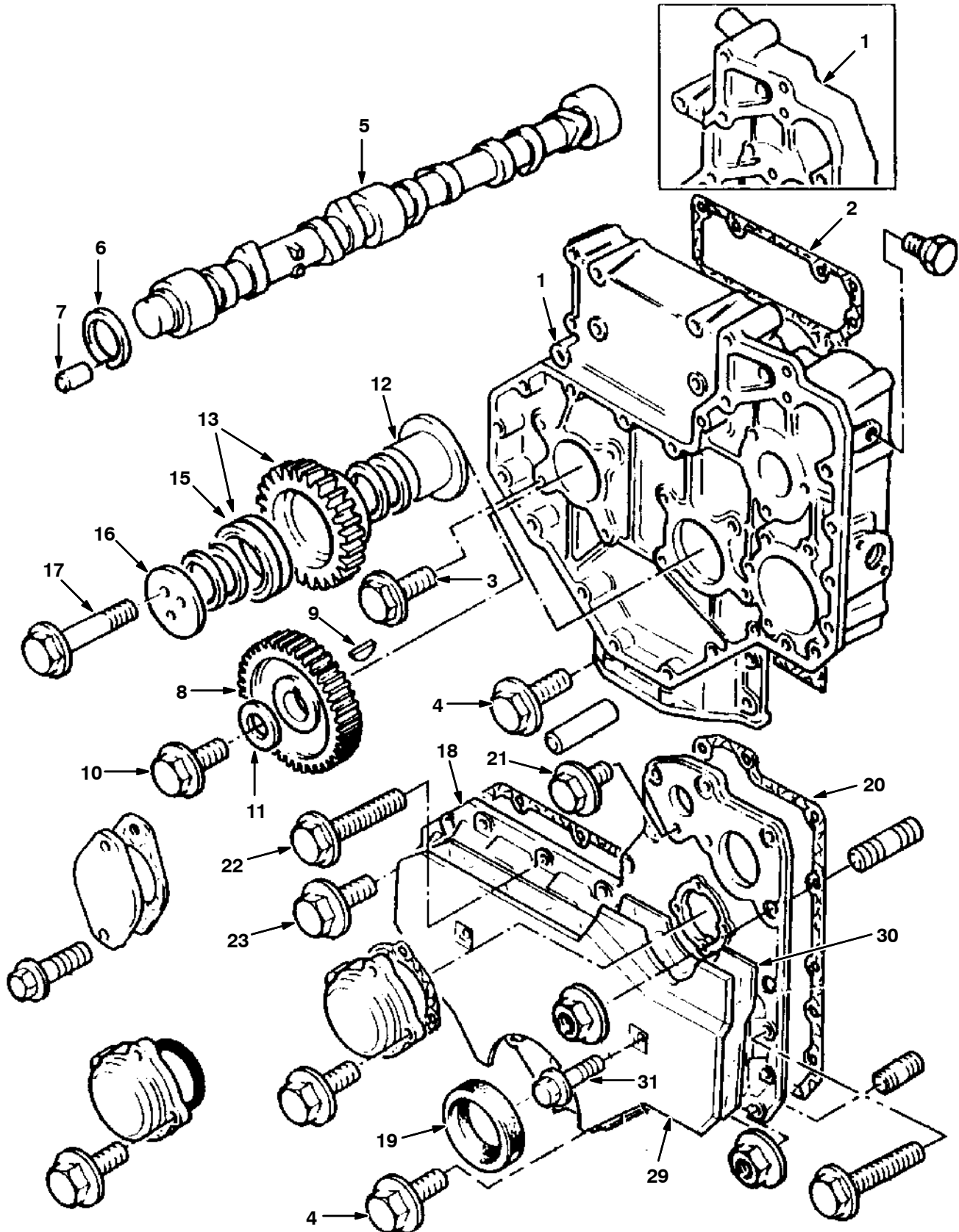


Fig. 5 - Timing Gear and Camshaft Group

Ref.	Tennant Part No.	Perkins Part Number	Description	Qty.	
1	764910	U3716C161	TIMING CASE	1	
2	764871	3681P009	JOINT	1	
3	764409	2314H003	SCREW	8	
4	764547	2314H034	SCREW	6	
5	766603	U3141D171	SHAFT, CAM	1	
6	763834	33153135	WASHER	1	
7	764550	2116053	PIN	1	
8	765044	3117L023	GEAR, CAMSHAFT	1	
9	764402	0500012	WOODRUFF KEY	1	
10	765043	2314J606	SCREW	1	
11	764552	3321A003	WASHER	1	
12	764553	33426161	HUB	1	
▽	13	764554	4111A013	GEAR, IDLER	1
▲	15	764457	0050345	BUSHING	1
16	765045	3241H009	PLATE	1	
17	764556	2314J010	SCREW	3	
18	766683	4142A404	COVER	1	
19	764558	2418F436	SEAL	1	
20	764999	3681P038	JOINT	1	
21	764560	2314H013	SCREW	6	
22	764410	2314H004	SCREW	1	
23	764575	2314H005	SCREW	7	
29	765020	3781N043	SHIELD	1	
30	765019	3781N042	DAMPER	1	
31	764567	2314F003	SCREW	2	

Fig. 6 - Lubricating Oil Pump Group

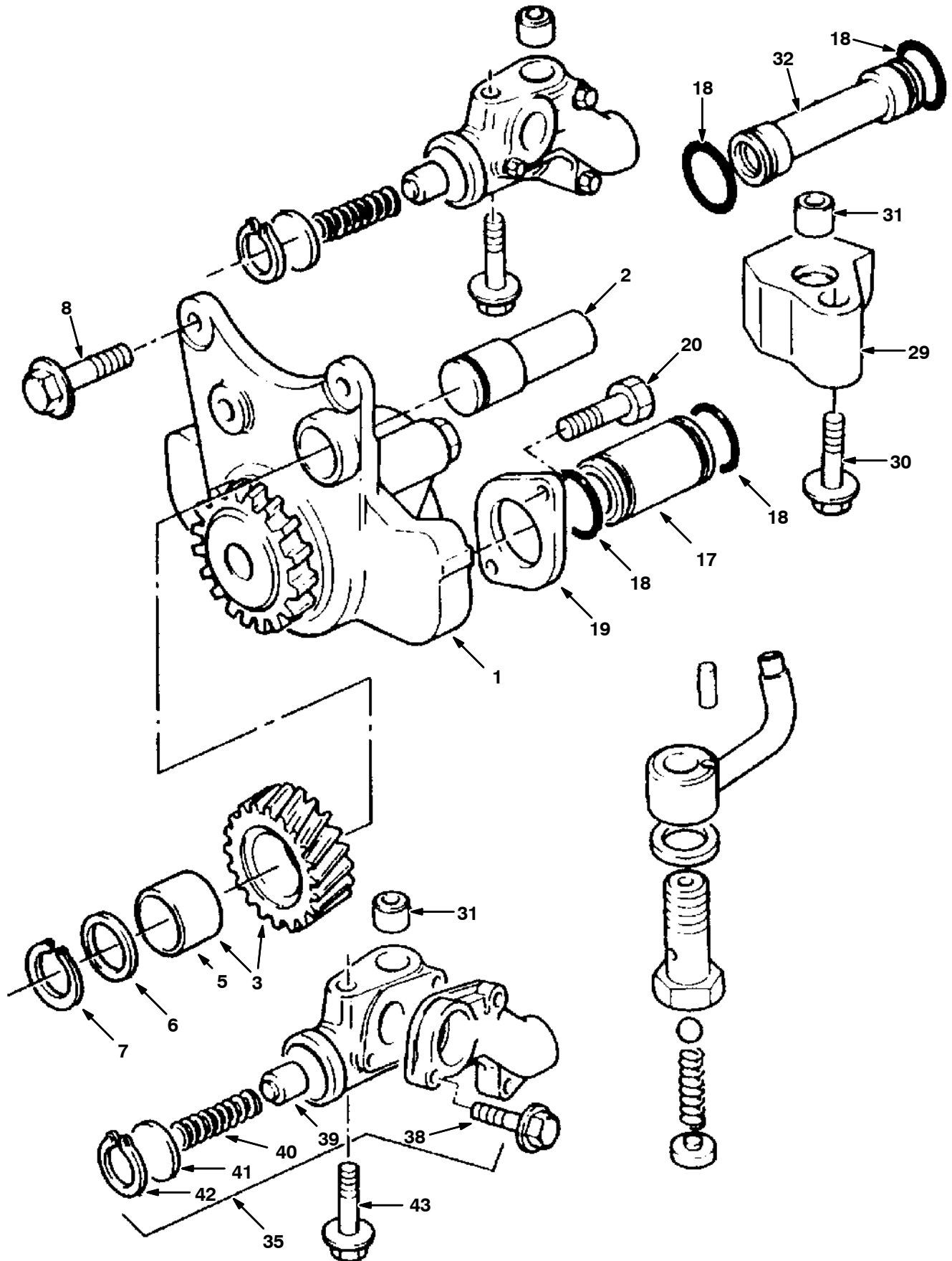
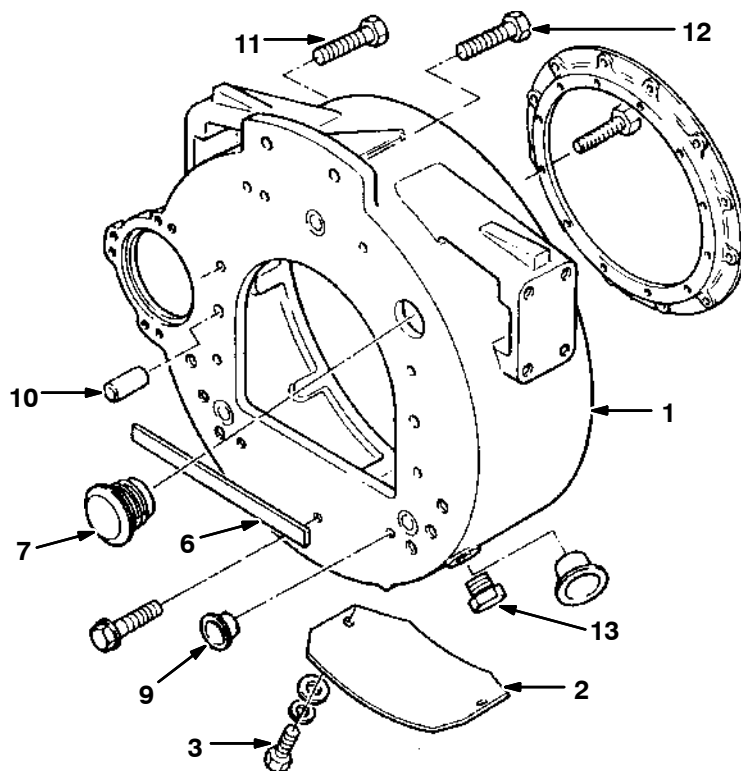


Fig. 6 - Lubricating Oil Pump Group

	Ref.	Tennant Part No.	Perkins Part Number	Description	Qty.
	1	764568	4132F051	OIL PUMP	1
	2	765046	3271H004	SHAFT	1
▽	3	764571	4111A021	GEAR, IDLER	1
▲	5	764529	2511437	BUSHING	1
	6	765047	33123125	WASHER	1
	7	764574	2722A206	CIRCLIP	1
	8	764575	2314H005	SCREW	3
	17	764576	3343F012	PIPE, OIL	1
	18	764577	2415H201	O-RING	4
	19	764578	3748C011	FLANGE	1
	20	764410	2314H004	SCREW	2
	29	764579	3763W011	ADAPTOR	1
	30	764580	2314J008	SCREW	1
	31	765048	33137409	THIMBLE	2
	32	764582	3343M307	PIPE, OIL	1
▽	35	764583	4138A036	RELIEF VALVE	1
▲	38	764584	2314F907	SCREW	3
▲	39	764585	32712726	PLUNGER	1
▲	40	764586	3174L003	SPRING	1
▲	41	764587	32712111	SEAT	1
▲	42	764588	2721130	CIRCLIP	1
	43	764589	2314J011	SCREW	1

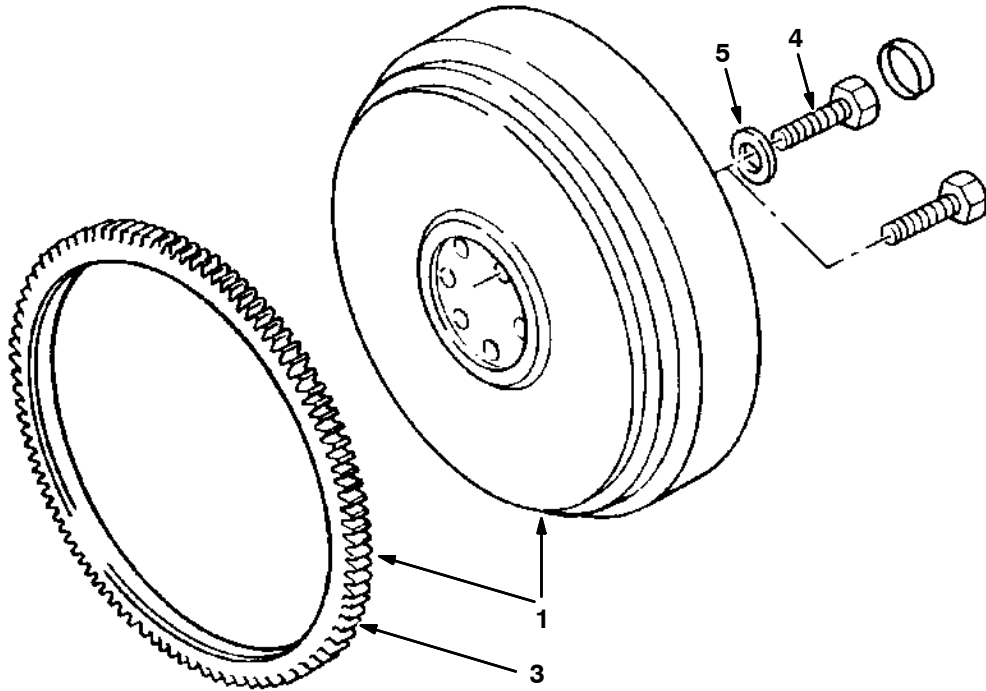
Fig. 7 - Flywheel Housing Group



352390

Ref.	Tennant Part No.	Perkins Part Number	Description	Qty.
1	765051	3713M042	FLYWHEEL HOUSING	1
2	764591	36212132	PLATE	1
3	765049	2314H102	SCREW	2
6	763868	36843154	SEAL	1
7	765050	2487402	PLUG	1
9	764595	2487204	PLUG	3
10	764596	0350025	DOWEL	2
11	766643	2314J204	SCREW	6
12	764420	2314J603	SCREW	2
13	764427	2487Y005	PLUG	1

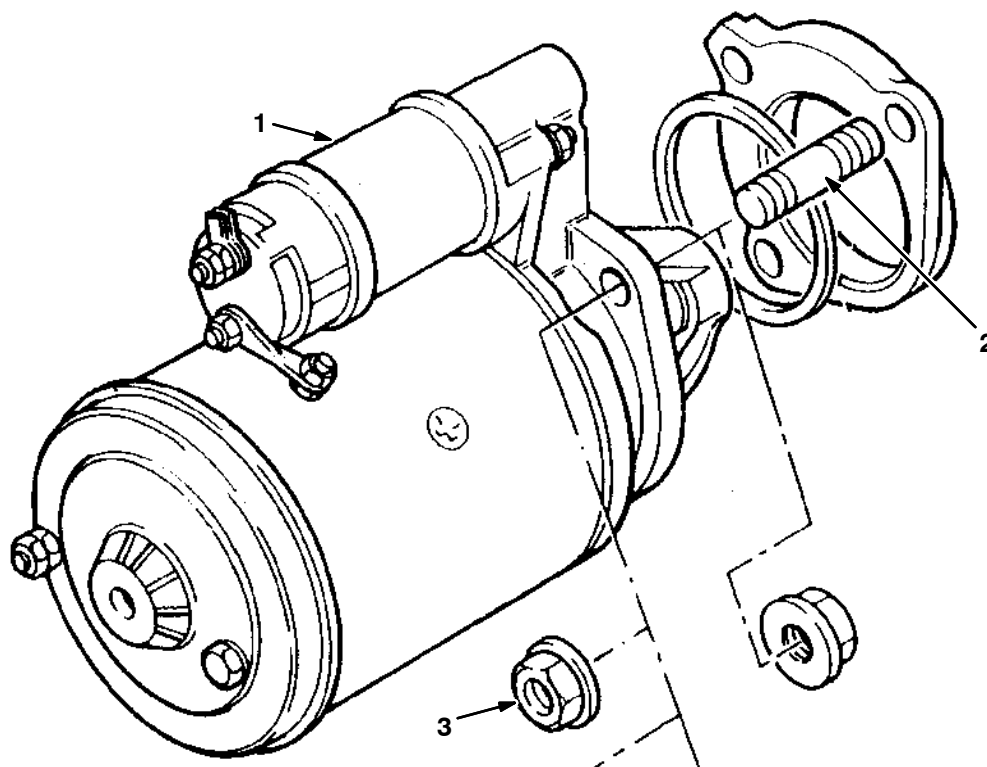
Fig. 8 - Flywheel Group



352392

	Ref.	Tennant Part No.	Perkins Part Number	Description	Qty.
▽	1	764597	4111D095	FLYWHEEL	1
▲	3	764598	31162121	GEAR, STARTER RING	1
	4	764460	0096803	BOLT	6
	5	764599	33117127	WASHER	6

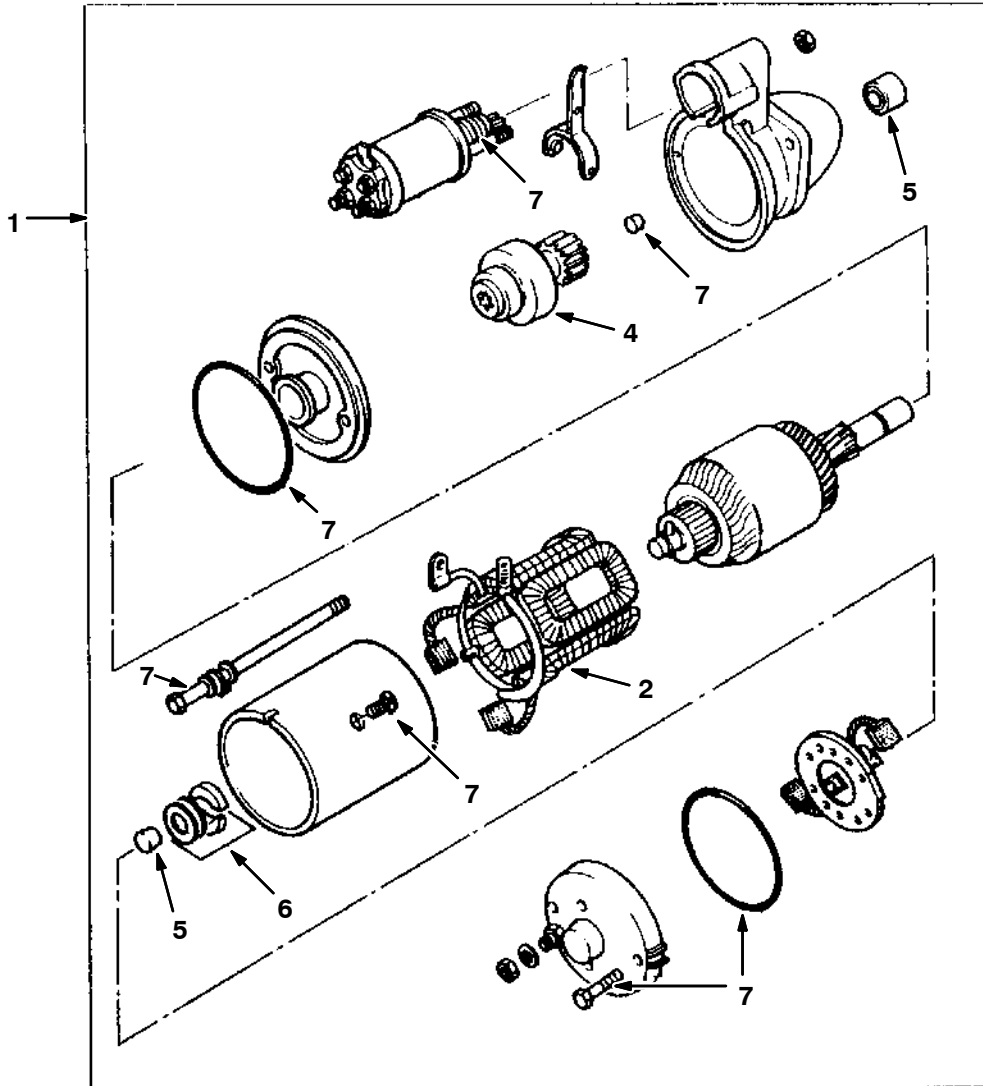
Fig. 9 - Starter Motor Group



352394

Ref.	Tennant Part No.	Perkins Part Number	Description	Qty.
1	764431	2873B071	STARTER MOTOR (SEE BREAKDOWN)	1
2	764407	2313C077	STUD	3
3	764422	2318A604	NUT	3

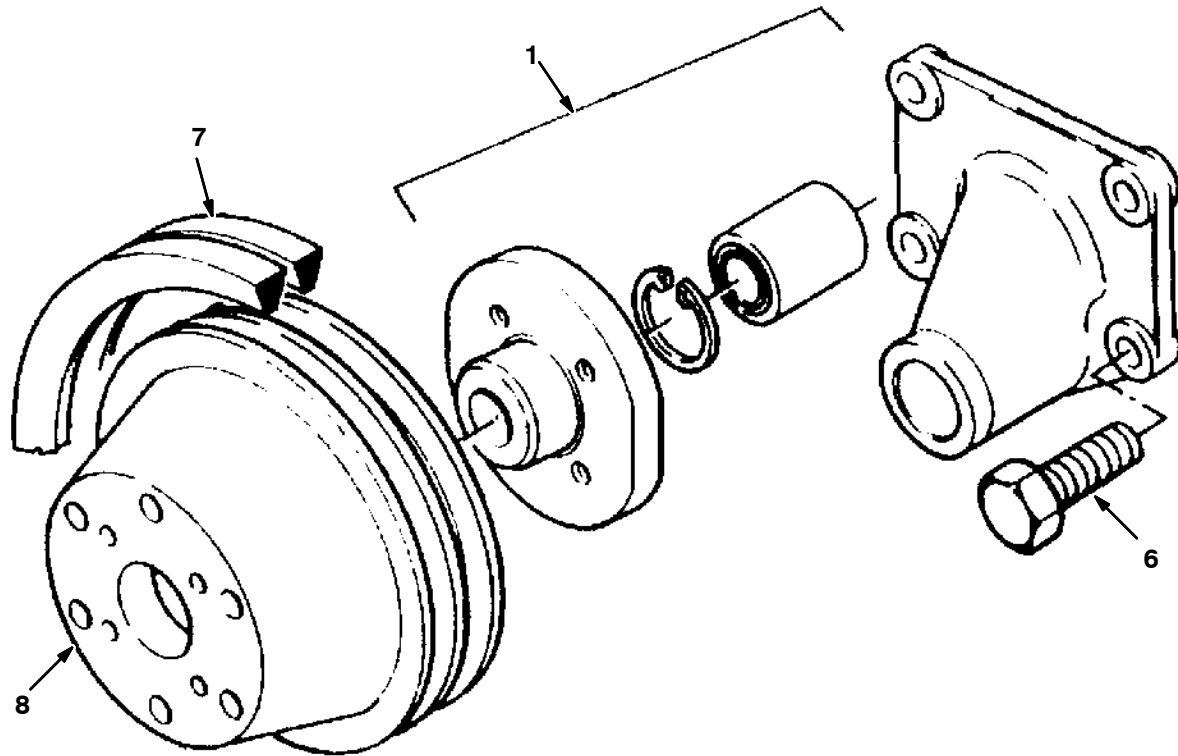
Fig. 10 - Starter Motor Breakdown



352396

Ref.	Tennant Part No.	Perkins Part Number	Description	Qty.
▽ 1	764431	2873B071	STARTER MOTOR	1
▲ 2	765052	28730201	KIT, BRUSH	1
▲ 4	765054	28730267	DRIVE	1
▲ 5	764603	28730238	KIT, BRUSH	1
▲ 6	764604	28730193	KIT, BRAKE	1
▲ 7	765053	28730209	KIT, REPAIR	1

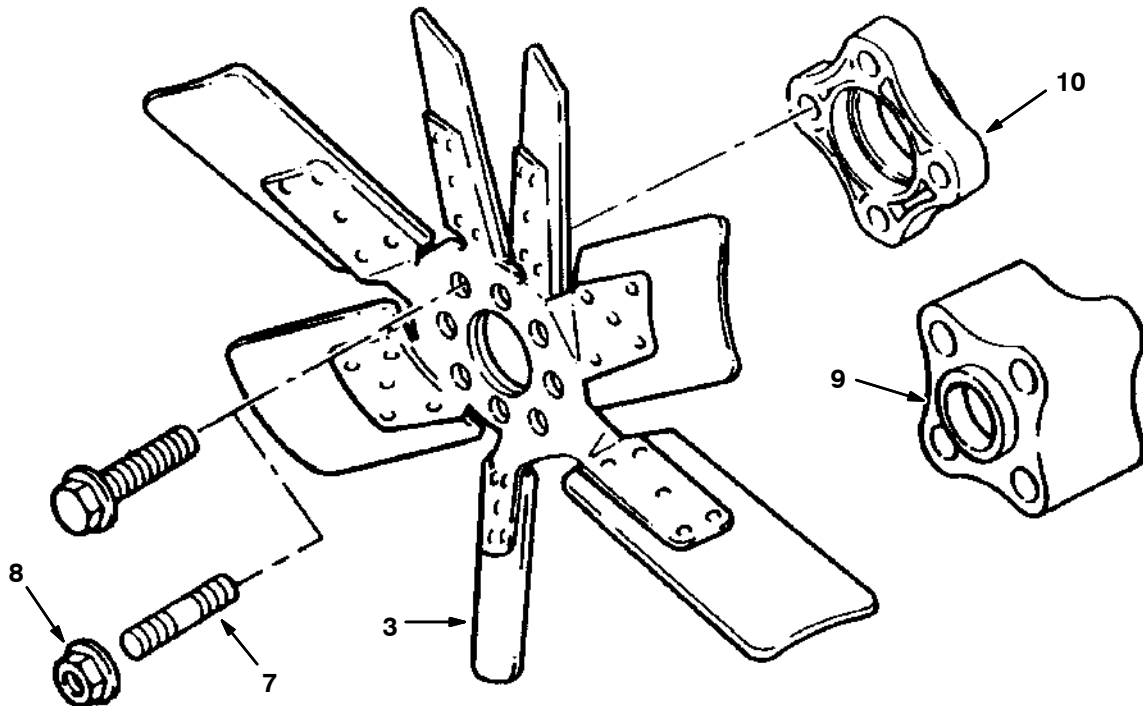
Fig. 11 - Fan Drive Group



352398

Ref.	Tennant Part No.	Perkins Part Number	Description	Qty.
1	765056	4113H074	HOUSING	1
6	764418	2314J015	SCREW	4
7	766649	2614B659	BELT, FAN	1
8	766656	3115C111	PULLEY	1

Fig. 12 - Fan Group



352412

Ref.	Tennant Part No.	Perkins Part Number	Description	Qty.
3	767601	2485C517	FAN	1
7	765060	2313H229	STUD	4
8	765061	2318D208	NUT	4
9	765062	3748W223	EXTENSION	1
10	764608	3748W202	EXTENSION	1

Fig. 13 - Alternator Group

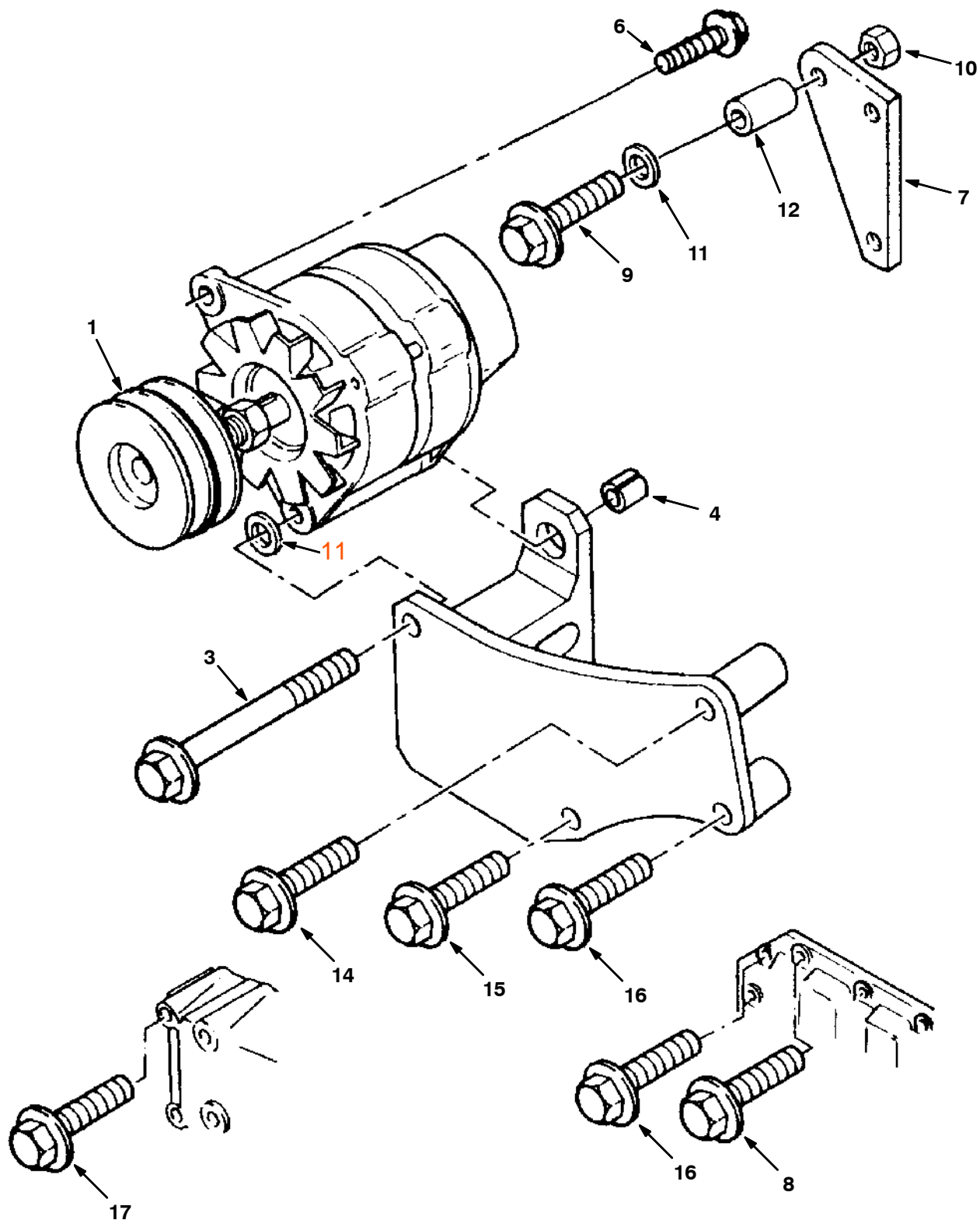


Fig. 13 - Alternator Group

Ref.	Tennant Part No.	Perkins Part Number	Description	Qty.
1	766692	18900009	PULLEY, ALTERNATOR	1
3	764418	2314J015	SCREW	1
4	764618	3318H105	SLEEVE	1
6	764409	2314H003	SCREW	1
7	764907	U3623T012	BRACKET	1
8	764575	2314H005	SCREW	1
9	766642	2314J007	SCREW	1
10	764936	2318D240	NUT	1
11	764613	2131A010	WASHER	1
12	764972	3312K026	SPACER	1
14	764636	2314J006	SCREW	2
15	766641	2314H018	SCREW	1
16	764609	2314K159	SCREW	2
17	764560	2314H013	SCREW	2

Fig. 14 - Water Pump Group

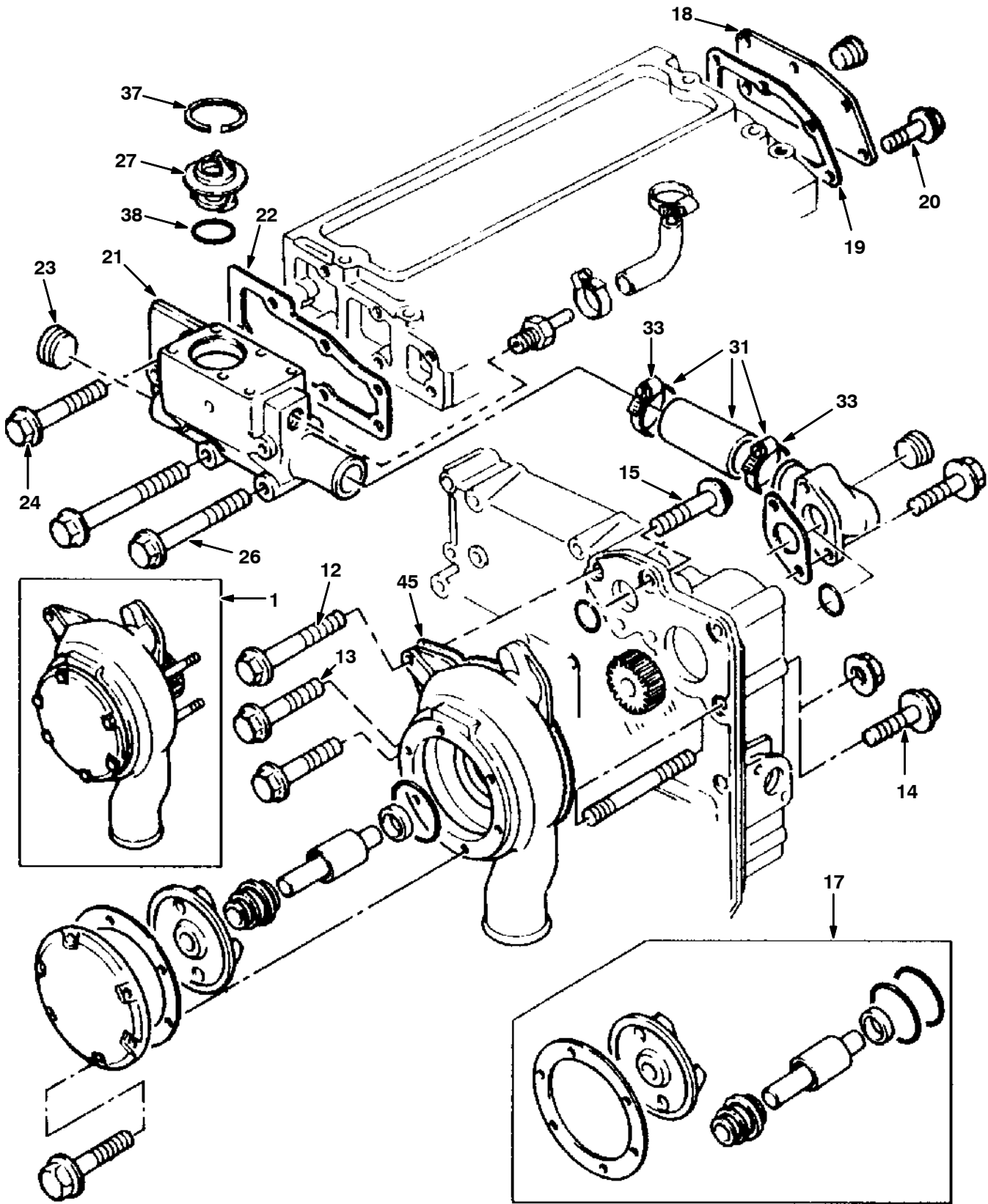
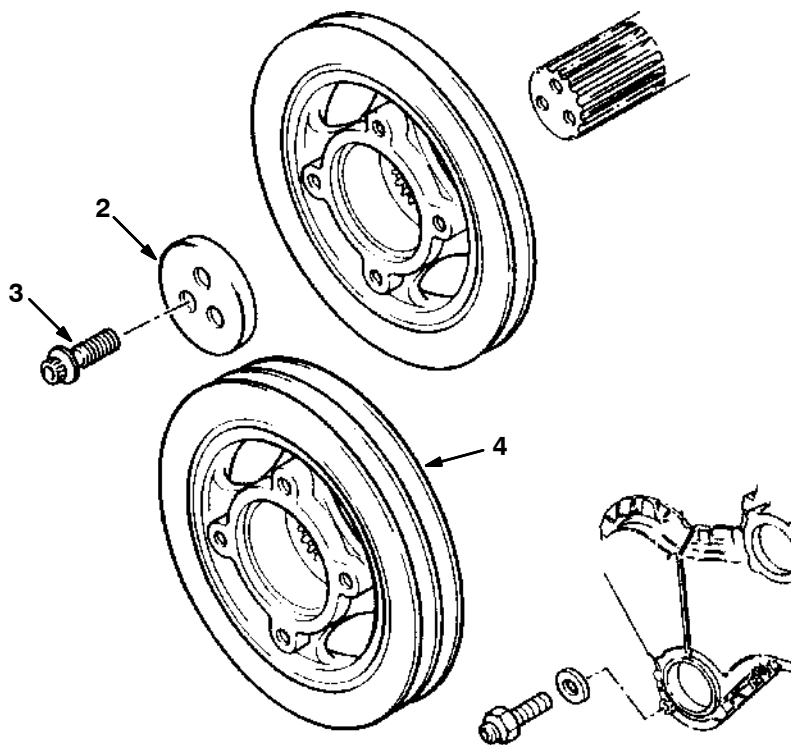


Fig. 14 - Water Pump Group

Ref.	Tennant Part No.	Perkins Part Number	Description	Qty.
1	766629	U5MW0164	PUMP, WATER	1
12	764414	2314H017	SCREW	3
12	764609	2314K159	SCREW	1
13	764747	2314H034	SCREW	3
14	766640	2314H012	SCREW	2
15	370806	2314K166	SCREW	1
17	766630	U7LW0161	KIT, REPAIR, WATER PUMP	1
18	766671	3623H024	COVER	1
19	764909	U3685R009	JOINT	1
20	764408	2314H002	SCREW	3
21	766677	3771K251	HOUSING	1
22	765006	3686D007	JOINT	1
23	764425	2431154	PLUG	1
24	764620	2314K161	SCREW	3
26	764412	2314H008	SCREW	3
27	764941	2485C025	THERMOSTAT	1
▽ 31	764918	U5MH0056	KIT, HOSE	1
▲ 33	764929	21825198	CLIP	2
37	764983	3381J005	RING	1
38	764938	2415A090	O-RING	1
45	765008	3687Y016	JOINT	1

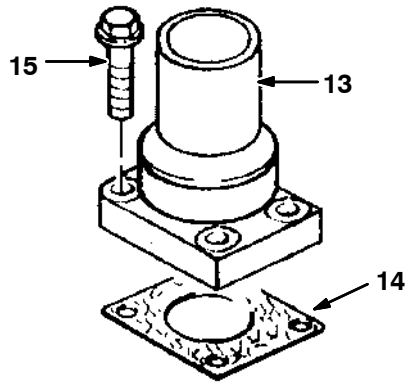
Fig. 15 - Front End Drive Input Group



352406

Ref.	Tennant Part No.	Perkins Part Number	Description	Qty.
2	764776	3241N001	BLOCK	1
3	764777	32186137	BOLT	3
4	764778	3115T051	PULLEY, CRANK	1

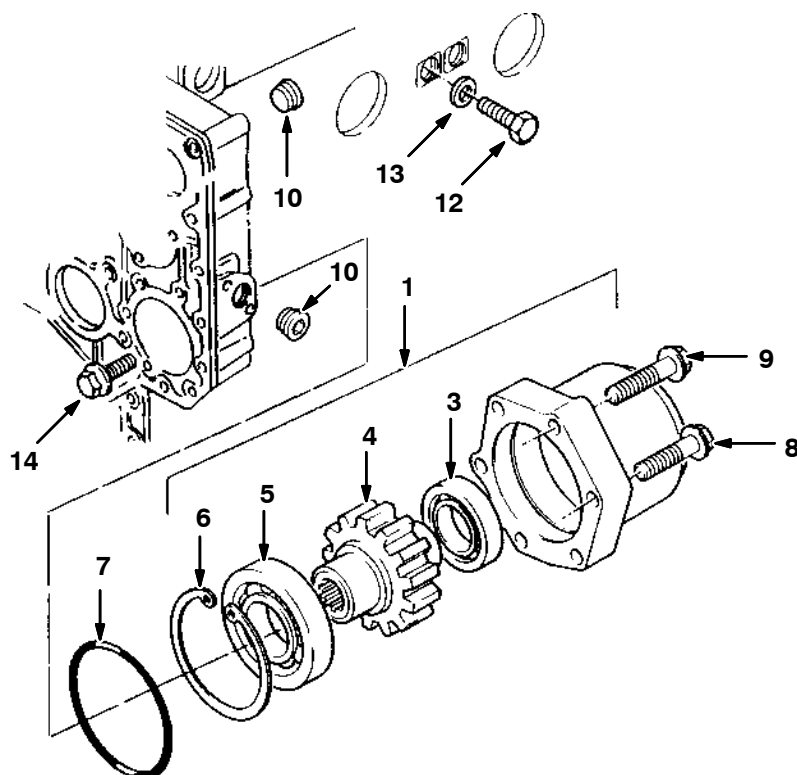
Fig. 16 - Water Outlet Group



352410

Ref.	Tennant Part No.	Perkins Part Number	Description	Qty.
13	765016	3766P411	CONNECTION	1
14	765003	3684N017	JOINT	1
15	764409	2314H003	SCREW	4

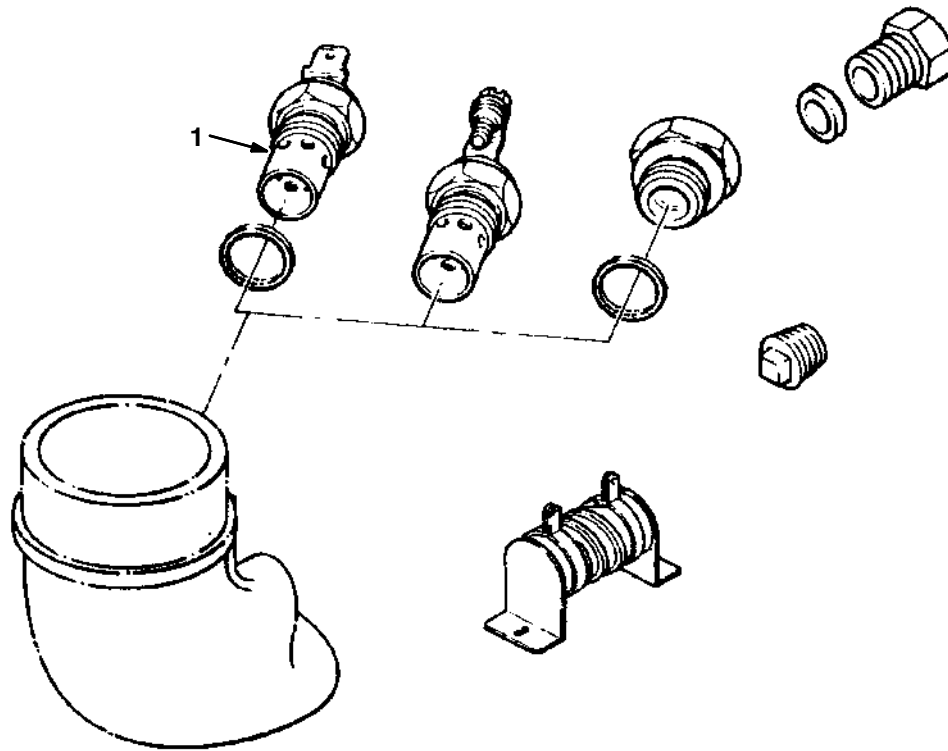
Fig. 17 - Gear Drive Group



352416

Ref.	Tennant Part No.	Perkins Part Number	Description	Qty.
▽ 1	764624	4113H068	ADAPTOR	1
▲ 3	764625	2521A207	BEARING, BALL	1
▲ 4	764626	3117C116	GEAR, HYD PUMP	1
▲ 5	764627	2521A415	BEARING, BALL	1
▲ 6	764628	2721A537	CIRCLIP	1
7	764629	2415B167	O-RING	1
8	764630	2311D578	SCREW	1
9	764631	2311D559	SCREW	5
10	764425	2431154	PLUG	2
12	764632	2314C049	SCREW	1
13	764633	0920155	WASHER	1
14	764417	2314J004	SCREW	1

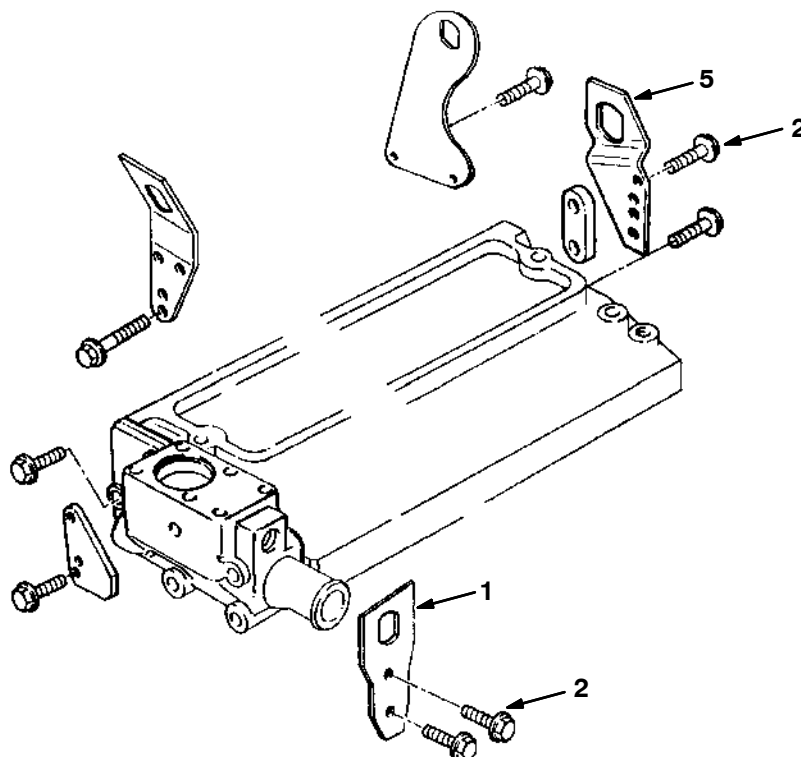
Fig. 18 - Intake Heater Group



352430

Ref.	Tennant Part No.	Perkins Part Number	Description	Qty.
1	764634	2666108	INTAKE HEATER	1

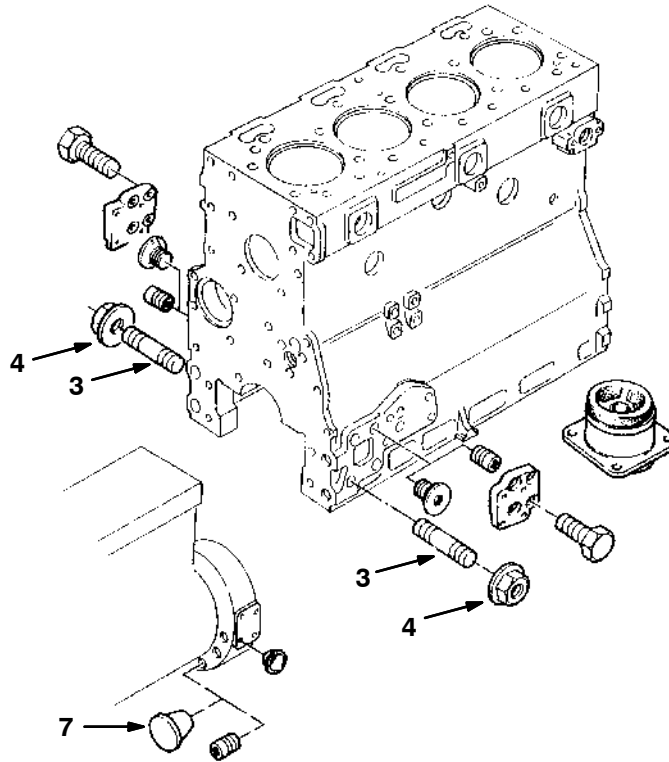
Fig. 19 - Engine Lifting Group



352432

Ref.	Tennant Part No.	Perkins Part Number	Description	Qty.
1	764908	U3648C008	PLATE	1
2	764416	2314J003	SCREW	4
5	764993	3654W007	PLATE	1

Fig. 20 - Mounting Group



352438

Ref.	Tennant Part No.	Perkins Part Number	Description	Qty.
3	764639	2313M101	STUD	8
4	764640	2318A605	NUT	8
7	764641	2487208	PLUG	10

Fig. 21 - Fuel Injection Group

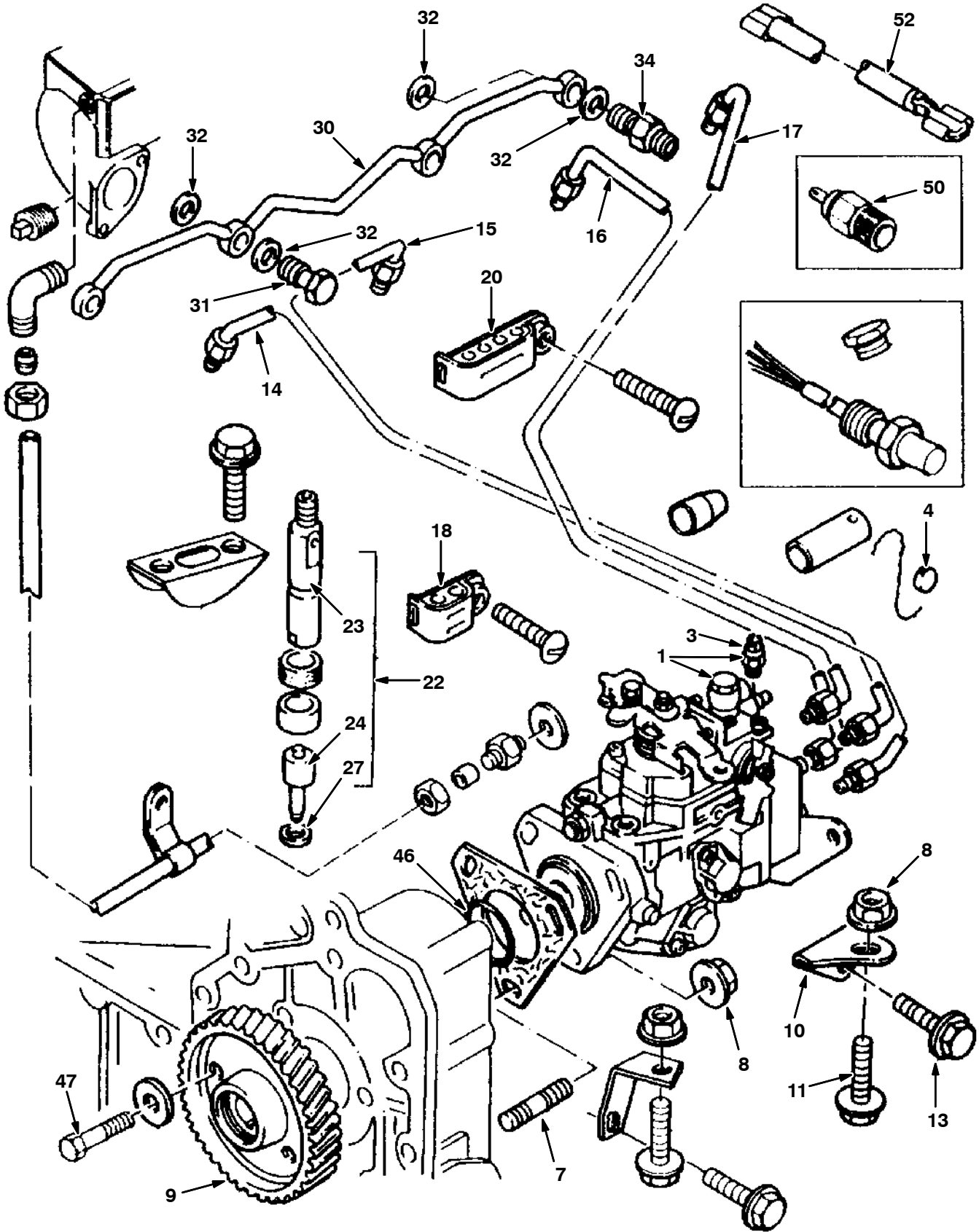
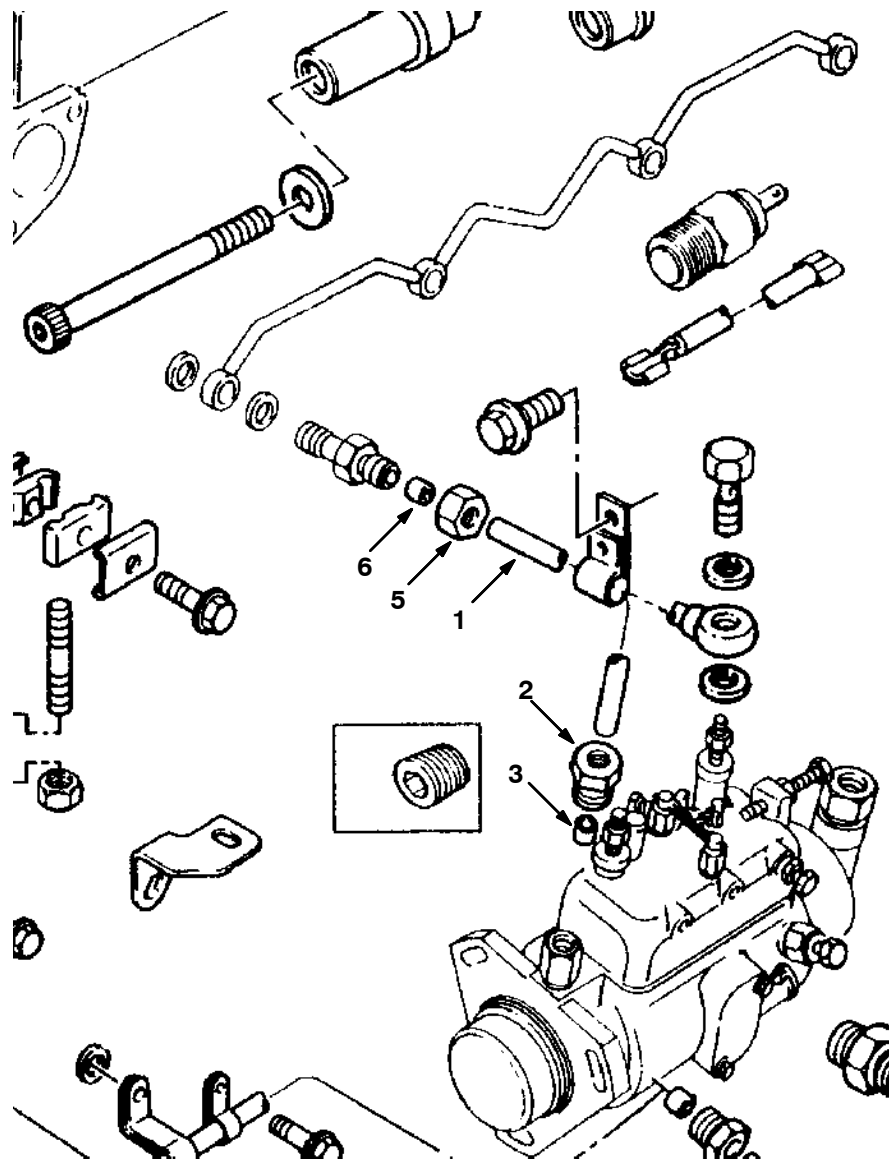


Fig. 21 - Fuel Injection Group

	Ref.	Tennant Part No.	Perkins Part Number	Description	Qty.
▽	1	766601	U2644G701	PUMP, INJECTION, FUEL	1
▲		766693		PIPE	1
▲		766694		WASHER, SEALING	1
▲		766695		OLIVE	1
▲	3	764657	28730179	SOLENOID	1
	4	766654	2648A116	CAP	1
	7	766662	3211P004	STUD	3
	8	764421	2318A603	NUT	4
	9	766657	3117L212	GEAR, FUEL PUMP	1
	10	764992	3644Y004	BRACKET	1
	11	764409	2314H003	SCREW	1
	13	764415	2314J002	SCREW	1
	14	766684	3521H065	PIPE, FUEL, INJECTION #1	1
	15	766685	3521H066	PIPE, FUEL, INJECTION #2	1
	16	766686	3521H067	PIPE, FUEL, INJECTION #3	1
	17	766687	3521H068	PIPE, FUEL, INJECTION #4	1
	18	766653	2646E017	CLIP	2
	20	764670	2646E019	CLIP	1
▽	22	766602	U2645A058	NOZZLE, ADJ	4
▲	23	766651	2645A311	HOLDER	1
▲	24	766652	2645K609	NOZZLE	1
▲	27	369259	L311FF02	WASHER	4
	30	764988	3558X051	LEAK-OFF PIPE	1
	31	764981	3355V002	BOLT	1
	32	764970	3311A001	WASHER	8
	34	764962	3218R005	CONNECTION	3
	46	766650	26420318	O-RING	1
	47	764408	2314H002	SCREW	4
	50	766655	2755A009	SEND-UNIT	1
	52	766659	3162A001	WIRE	1

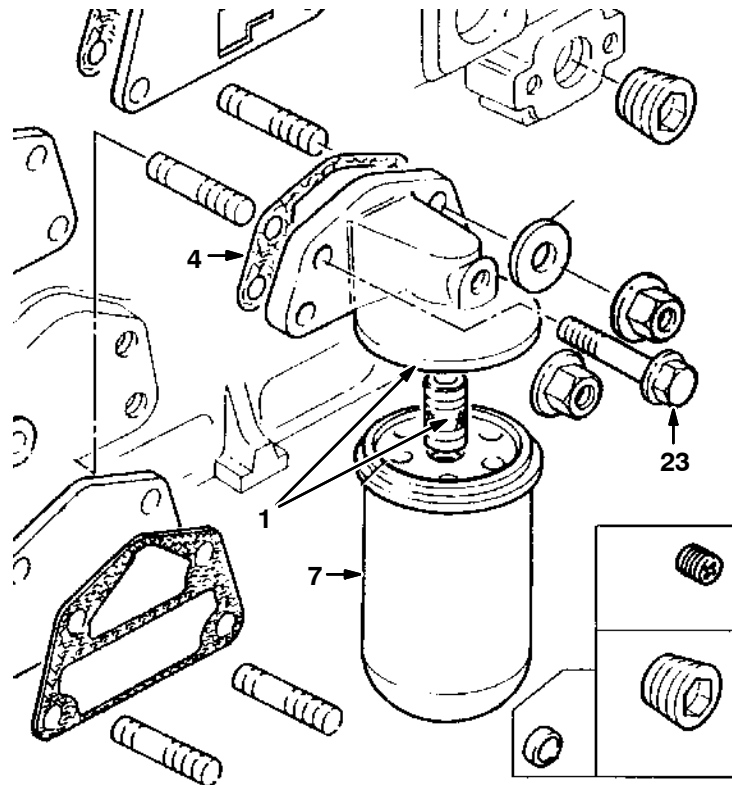
Fig. 22 - Fuel Injection Line Group



352386

Ref.	Tennant Part No.	Perkins Part Number	Description	Qty.
1	766678	4121C057	PIPE, AIR	1
2	764676	3353D004	NUT	1
3	764823	3381A002	OLIVE	1
5	764432	33225412	UNION NUT	1
6	764433	33811112	OLIVE	1

Fig. 23 - Lubricating Oil Filter and Integral Oil Cooler Group



352404

Ref.	Tennant Part No.	Perkins Part Number	Description	Qty.
1	764737	3773K003	FILTER HEAD	1
4	764877	3687W008	JOINT	1
7	52770-5	2654403	OIL FILTER	1
23	764419	2314J034	SCREW	4

Fig. 24 - Lubricating Oil Sump Group

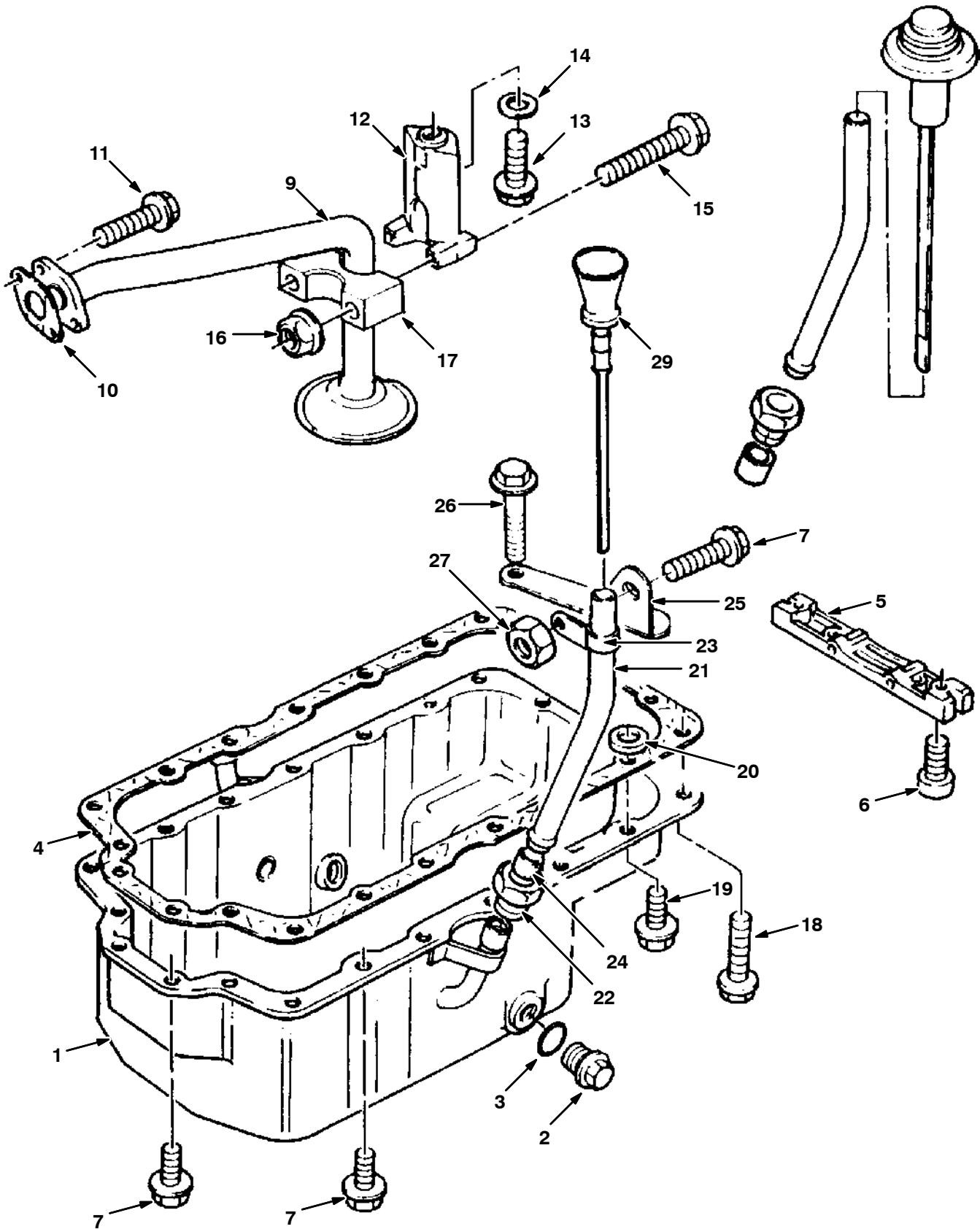


Fig. 24 - Lubricating Oil Sump Group

Ref.	Tennant Part No.	Perkins Part Number	Description	Qty.
1	764701	3717Y002	SUMP	1
2	764702	2487A020	PLUG	2
3	764703	2415715	O-RING	2
4	764868	3681K005	JOINT	1
5	765057	3627P023	BRIDGE PIECE	1
6	764707	2311D039	SCREW	2
7	764408	2314H002	SCREW	18
9	764709	3575A018	PIPE, OIL	1
10	764888	36832137	JOINT	1
11	764710	2314H007	SCREW	2
12	764711	3824A021	BRACKET	1
13	764410	2314H004	SCREW	1
14	764712	0330807	SPACER	1
15	764713	2314F016	SCREW	2
16	764714	2318D802	NUT	2
17	763870	3735A011	CLAMP	1
18	764719	2314H031	SCREW	2
19	764409	2314H003	SCREW	1
20	764720	0920460	SPACER	1
21	765058	4126X091	TUBE	1
22	764716	3353D005	NUT	1
23	766672	3656P009	CLIP	1
24	764717	33812116	OLIVE	1
25	765059	3823D024	BRACKET	1
26	763886	2314J001	SCREW	1
27	764421	2318A603	NUT	1
29	370702	3178C126	DIPSTICK	1

Fig. 25 - Lubricating Oil Filler and Breather Group

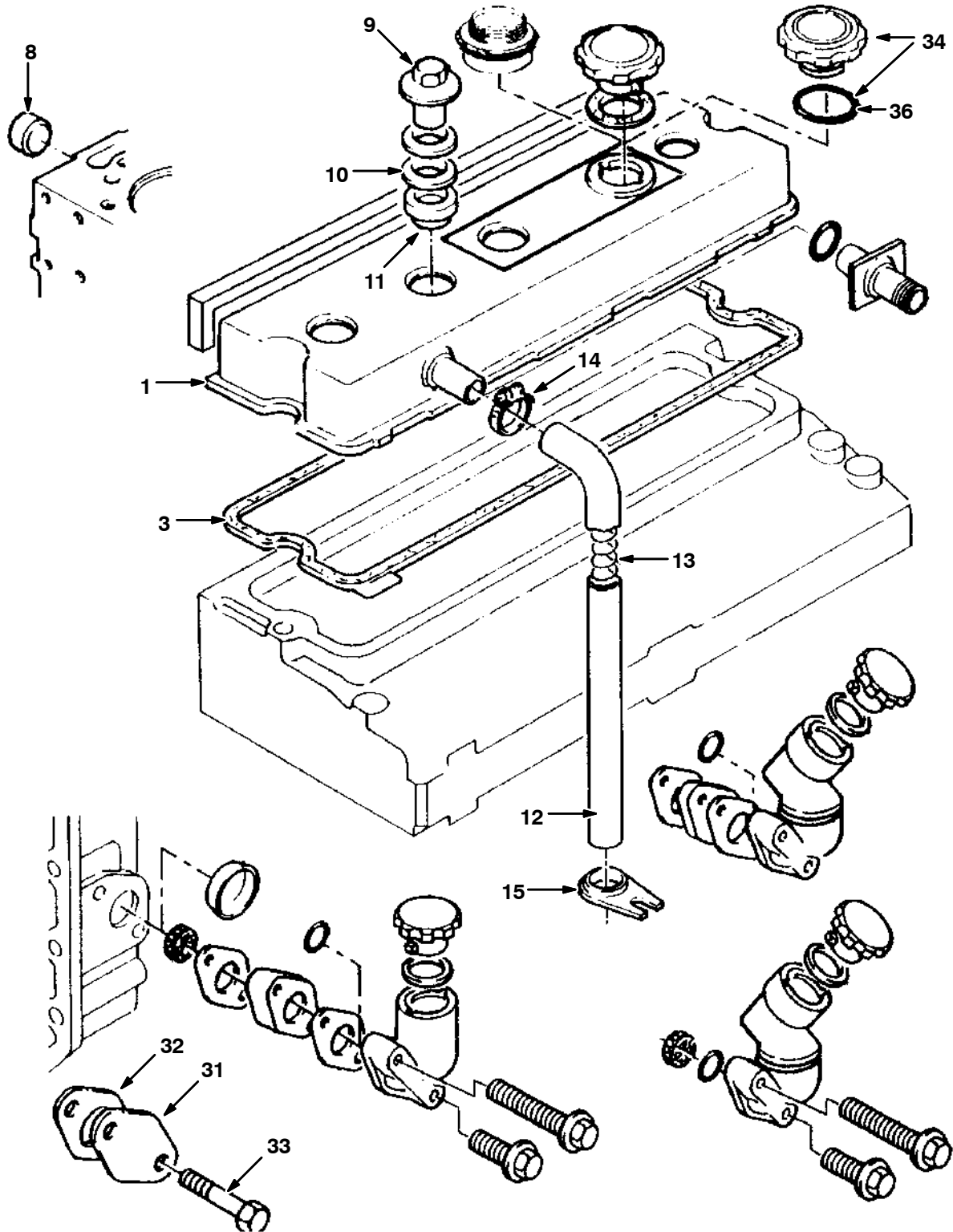
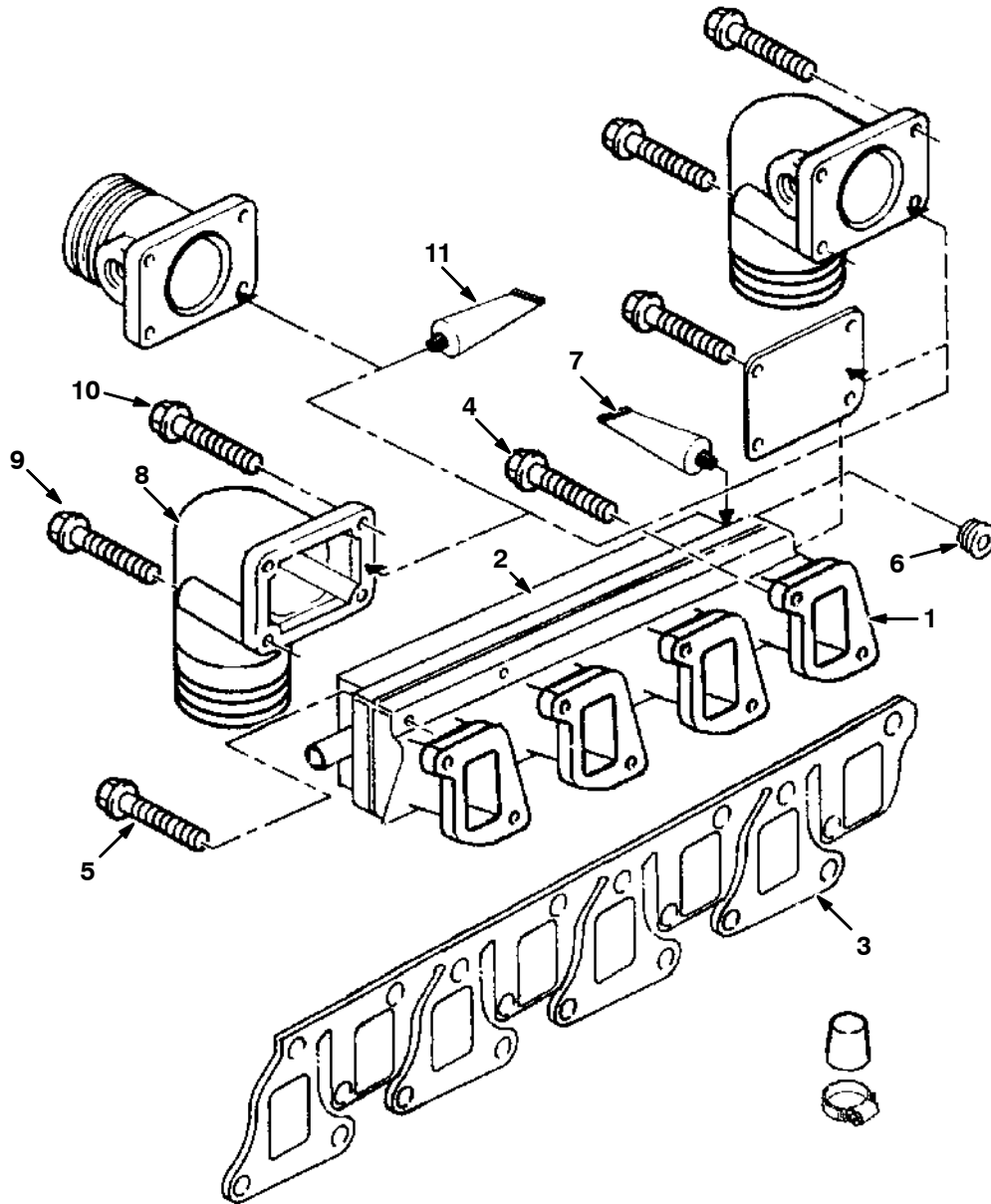


Fig. 25 - Lubricating Oil Filler and Breather Group

Ref.	Tennant Part No.	Perkins Part Number	Description	Qty.	
1	766620	U4142X125	COVER, CYL HEAD	1	
3	766616	U3688X011	GASKET	1	
8	764965	32416118	PLUG	1	
9	764968	3274P003	NUT	1	
10	369003	0920009	WASHER	3	
11	369211	33817135	SEAL	3	
12	764726	33872525	PIPE, BREATHER	3	
13	766660	3175P003	SPRING	1	
14	763879	2481877	HOSE CLIP	1	
15	764728	36241123	BRACKET	1	
31	764730	3617A001	PLATE	1	
32	765001	3683H006	JOINT	1	
33	764409	2314H003	SCREW	2	
▽	34	764733	4142X099	CAP AND SEAL	1
▲	36	764734	2415731	O-RING	1

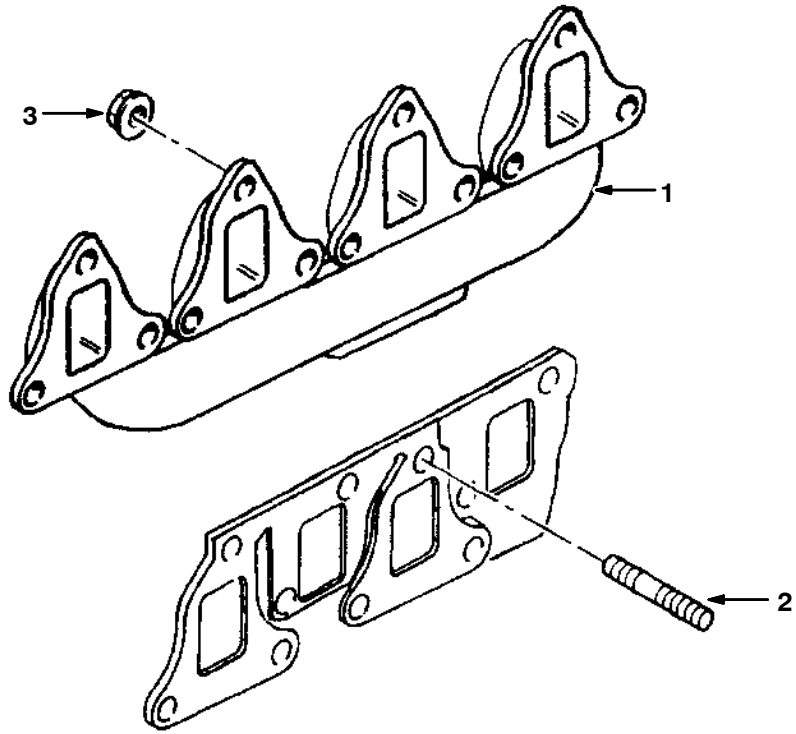
Fig. 26 - Induction Manifold Group



352418

Ref.	Tennant Part No.	Perkins Part Number	Description	Qty.
1	766618	U3777R111	MANIFOLD, INDUCTION	1
2	766617	U3777R092	MANIFOLD, INDUCTION	1
3	766615	U3681V012	GASKET	1
4	766645	2316A317	SCREW	8
5	766644	2316A117	SCREW	8
6	764785	2431131	PLUG	1
6	766661	3211P002	PLUG	1
7	766674	3681X001	SEALANT	1
8	766676	3766T073	ELBOW	1
9	764410	2314H004	SCREW	2
10	764414	2314H017	SCREW	2
11	766675	3681X002	SEALANT	1

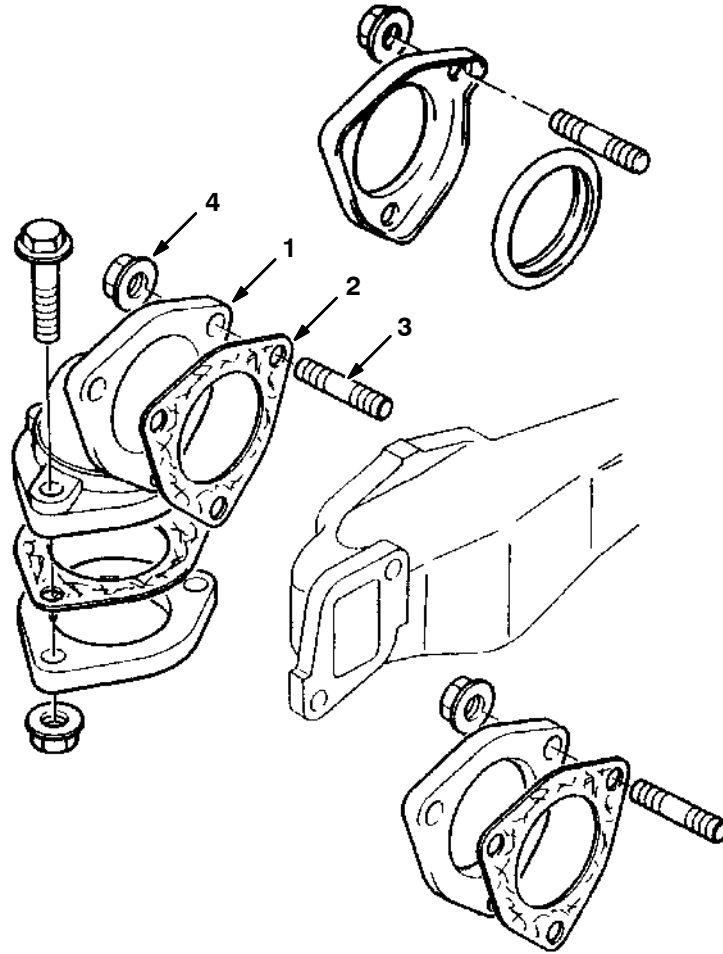
Fig. 27 - Exhaust Manifold Group



352420

Ref.	Tennant Part No.	Perkins Part Number	Description	Qty.
1	766619	U3778E111	MANIFOLD, EXHAUST	1
2	766663	3211P018	STUD	12
3	766646	2318A734	NUT	12

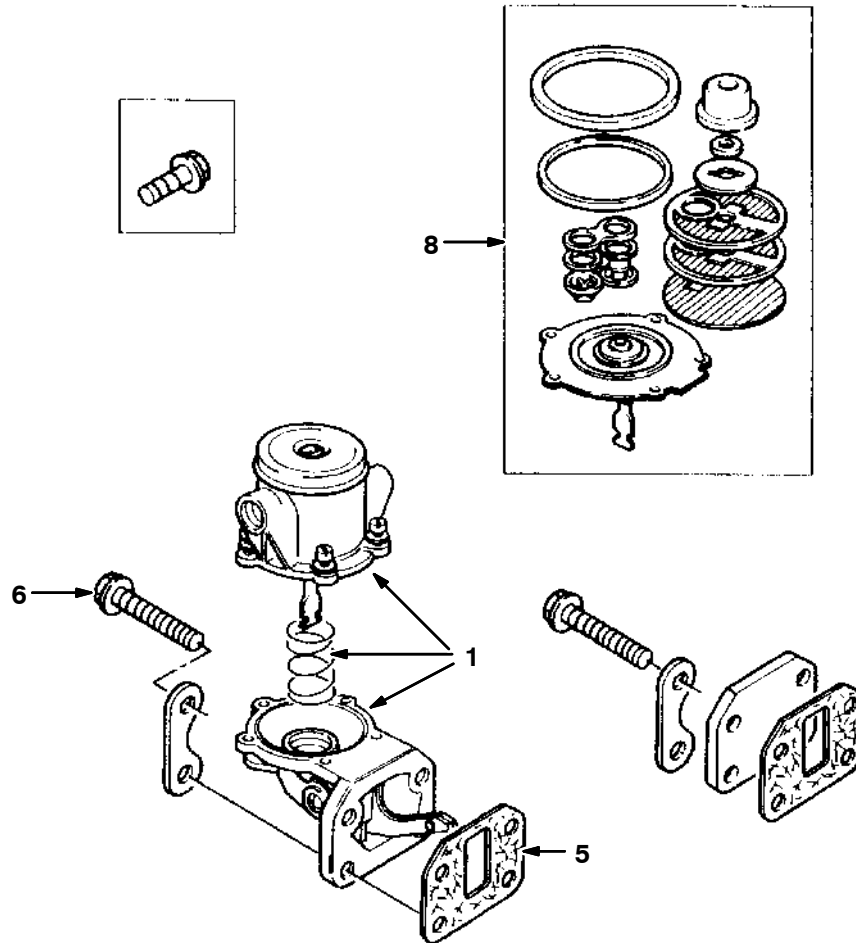
Fig. 28 - Exhaust Flange Group



352422

Ref.	Tennant Part No.	Perkins Part Number	Description	Qty.
1	761825	3767A011	ELBOW	1
2	764790	3681V502	GASKET	1
3	766639	2313C078	STUD	3
4	764423	2318A634	NUT	3

Fig. 29 - Fuel Pump Group



352426

Ref.	Tennant Part No.	Perkins Part Number	Description	Qty.
1	763916	ULPK0005	LIFT PUMP	1
5	21796	36851123	JOINT	1
6	764794	2314H033	SCREW	4
8	763917	ULPR0001	KIT, REPAIR	1

Fig. 30 - Low Pressure Fuel Group

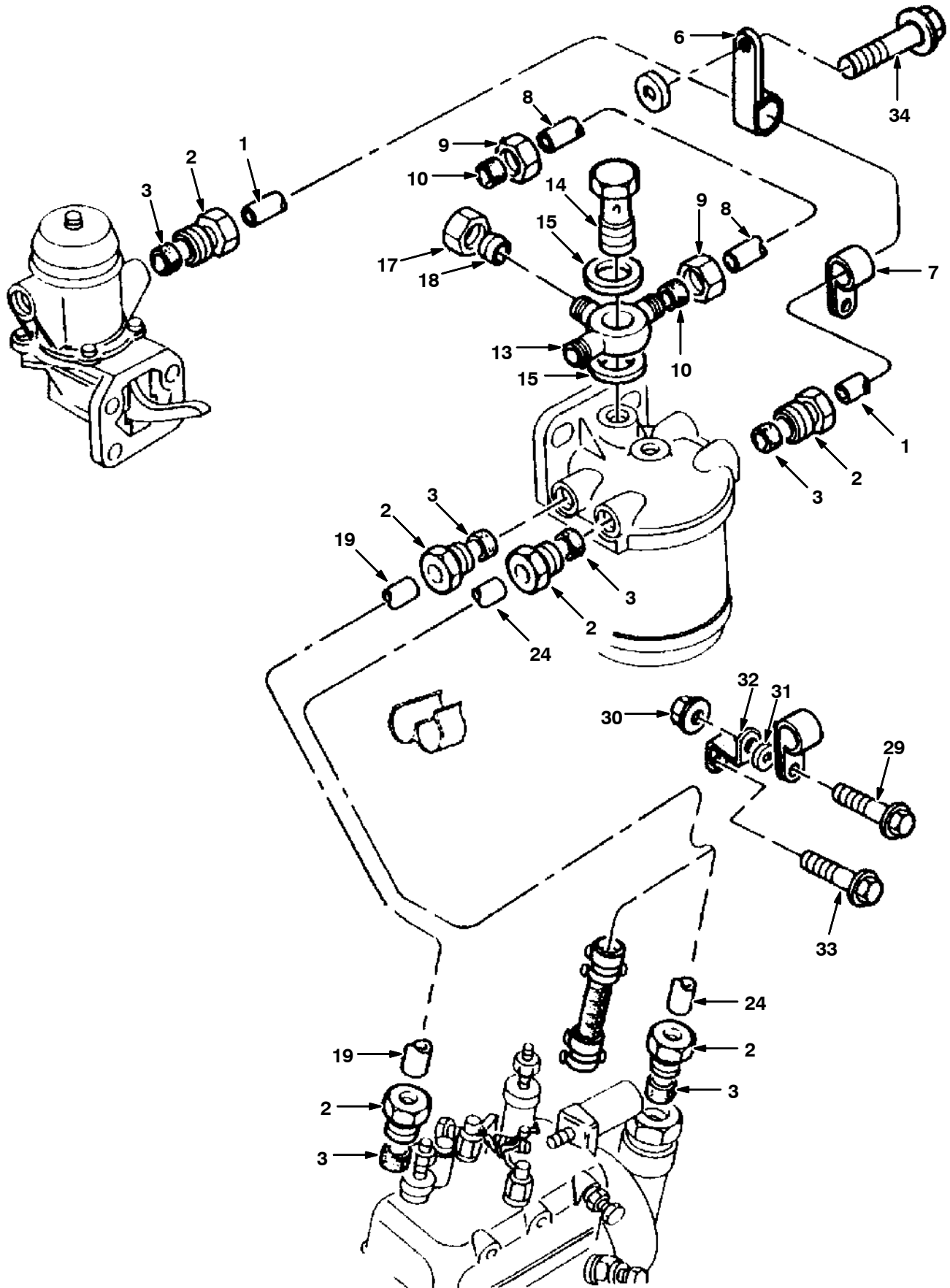
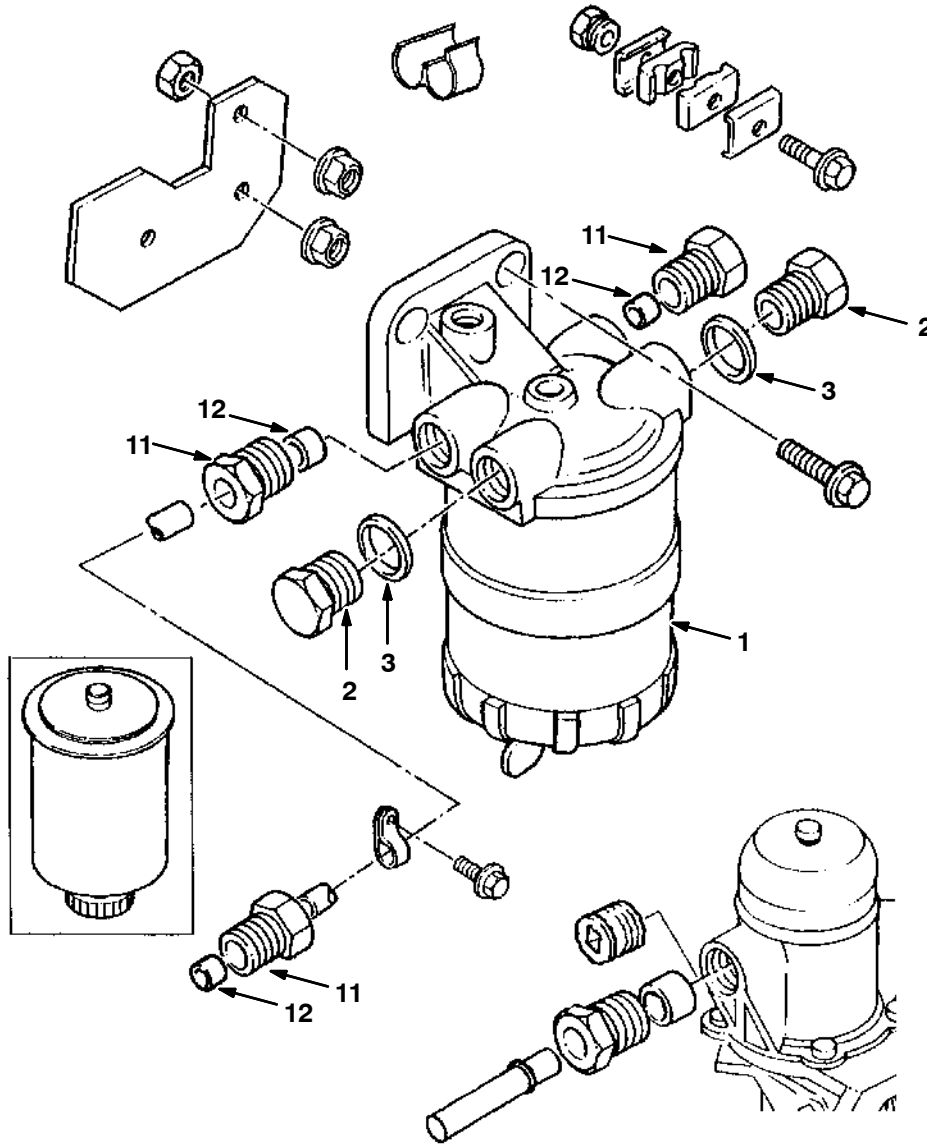


Fig. 30 - Low Pressure Fuel Group

Ref.	Tennant Part No.	Perkins Part Number	Description	Qty.
1	766682	4125T011	PIPE	1
2	30063	33532129	NUT	6
3	32590	33811114	OLIVE	6
6	764994	3656P004	CLIP	1
7	764995	3656P008	CLIP	1
8	766670	3435P019	PIPE, FUEL	1
9	764432	33225412	UNION NUT	2
10	764433	33811112	OLIVE	2
13	764960	3172X004	CONNECTION	1
14	764963	3218R013	BOLT	1
15	766647	2415928	WASHER	2
17	764803	0576112	NUT	1
18	764804	0566003	OLIVE	1
19	766679	4122M012	PIPE	1
24	766680	4122T008	PIPE	1
29	764813	2314F006	SCREW	1
30	764814	2318A602	NUT	1
31	763921	0920496	WASHER	1
32	764811	3653R002	BRACKET	1
33	764812	2314F002	SCREW	1
34	764409	2314H003	SCREW	1

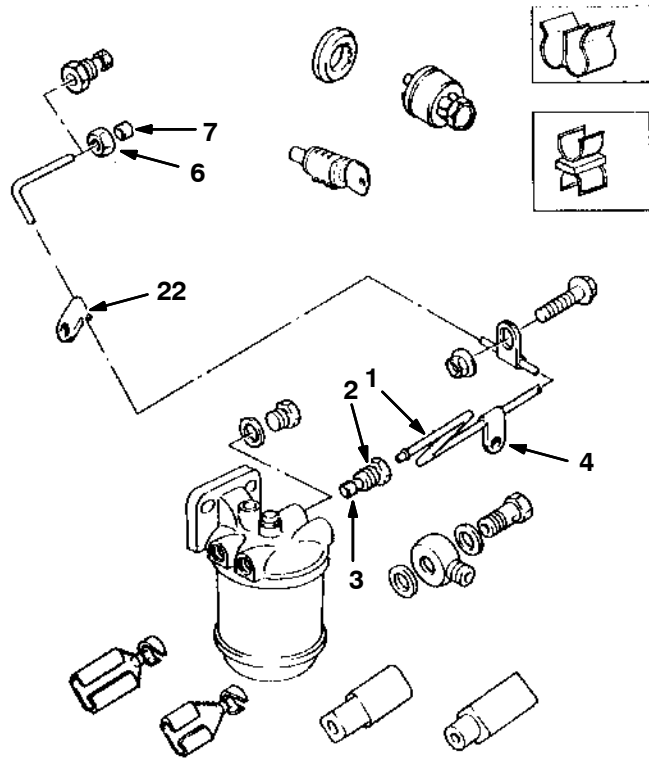
Fig. 31 - Fuel Pre-Lift Pump Group



352498

Ref.	Tennant Part No.	Perkins Part Number	Description	Qty.
1	764947	2656F810	FILTER	1
32436	764840	0650204	PLUG	2
32435	764841	0920154	WASHER	2
11	30063	33532129	NUT	3
12	764839	0566004	OLIVE	3
	764950	26560145	ELEMENT	1

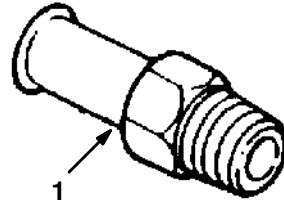
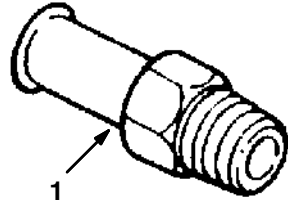
Fig. 32 - Fuel Line Group



352440

Ref.	Tennant Part No.	Perkins Part Number	Description	Qty.
1	766681	4124E177	PIPE	1
2	764822	33532148	NUT	1
3	764823	3381A002	OLIVE	1
4	764996	36568132	CLIP	1
6	764432	33225412	UNION NUT	1
7	764433	33811112	OLIVE	1
22	766673	3656X014	CLIP	1

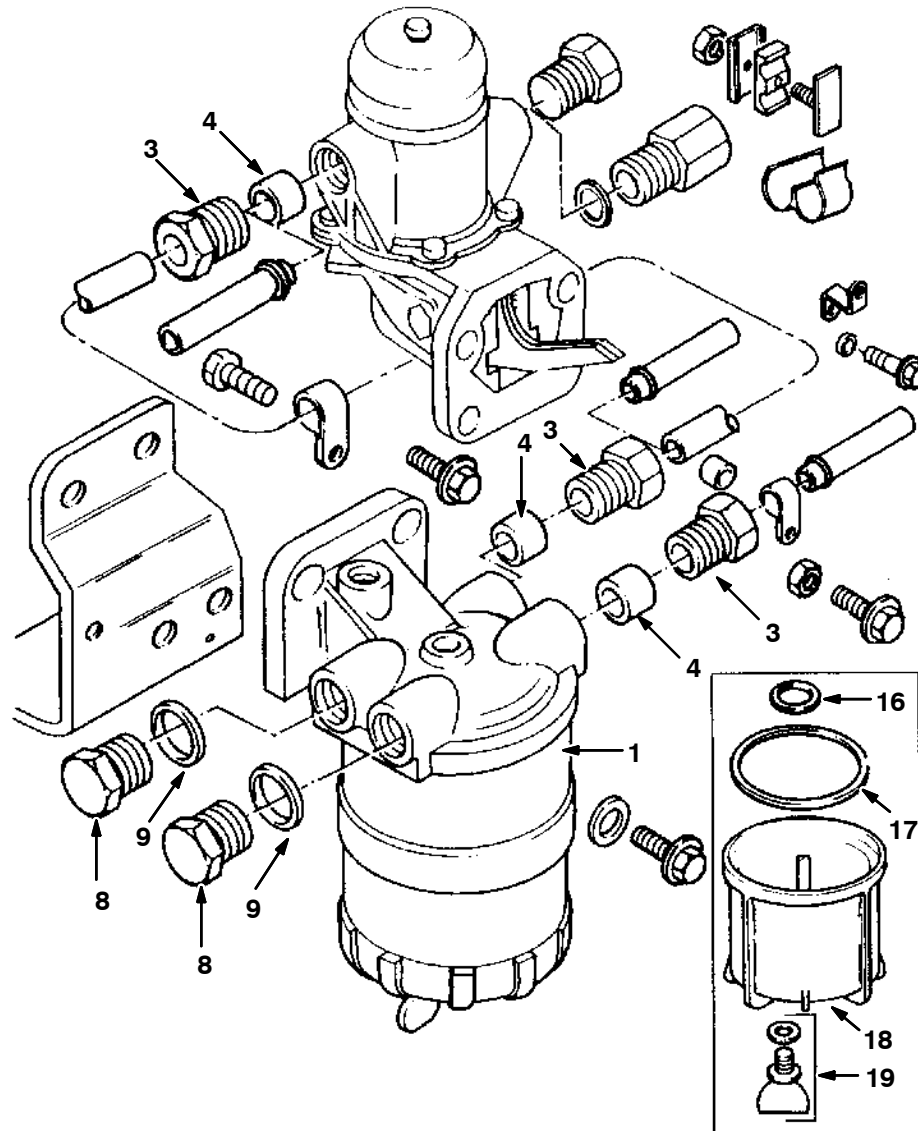
Fig. 33 - Adaptor Group



352444

Ref.	Tennant Part No.	Perkins Part Number	Description	Qty.
1	764655	33552414	ADAPTOR	2

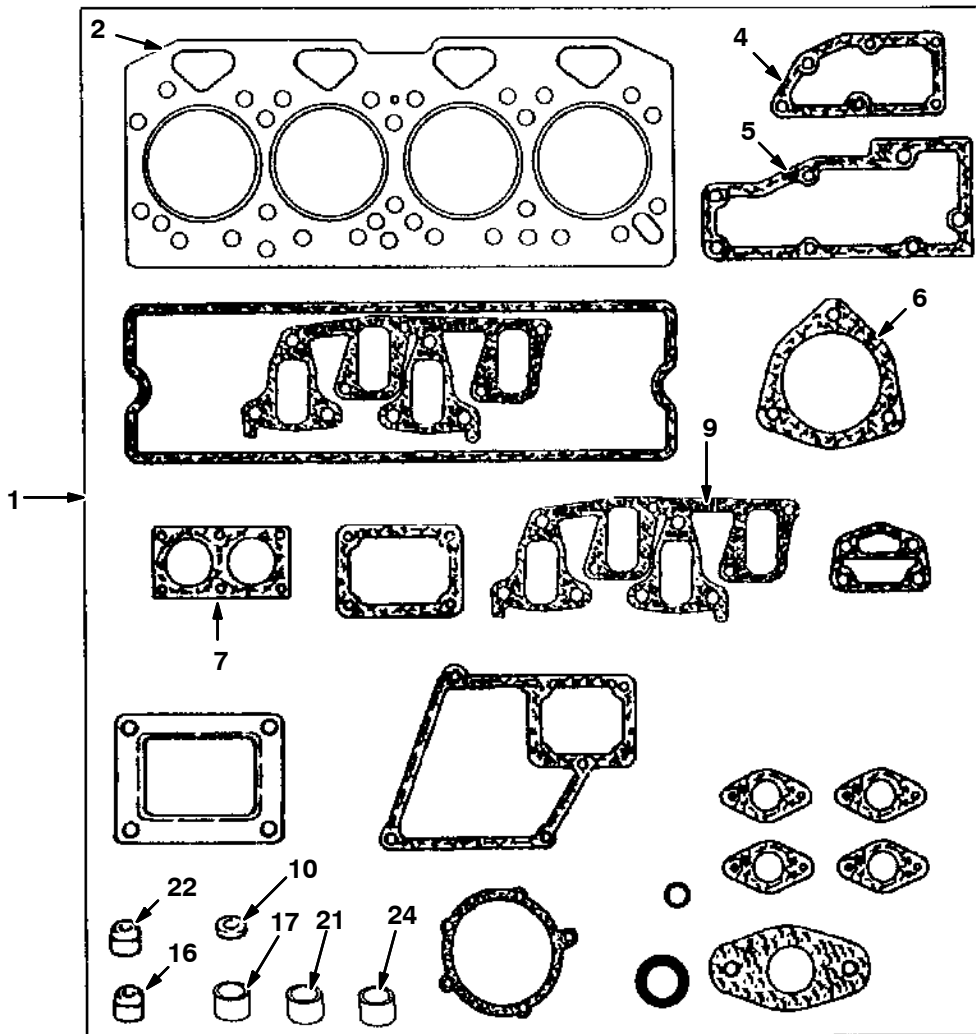
Fig. 34 - Fuel Pre-Lift Pump Group



352442

Ref.	Tennant Part No.	Perkins Part Number	Description	Qty.
1	764837	2656086	FUEL FILTER	1
3	30063	33532129	NUT	3
4	764839	0566004	OLIVE	3
32436 8	764840	0650204	PLUG	2
32435 9	764841	0920154	WASHER	2
16	764842	26560016	WASHER	1
17	764843	0490786	JOINT	2
18	764844	26560075	CONTAINER	1
19	764845	26560614	PLUG	1

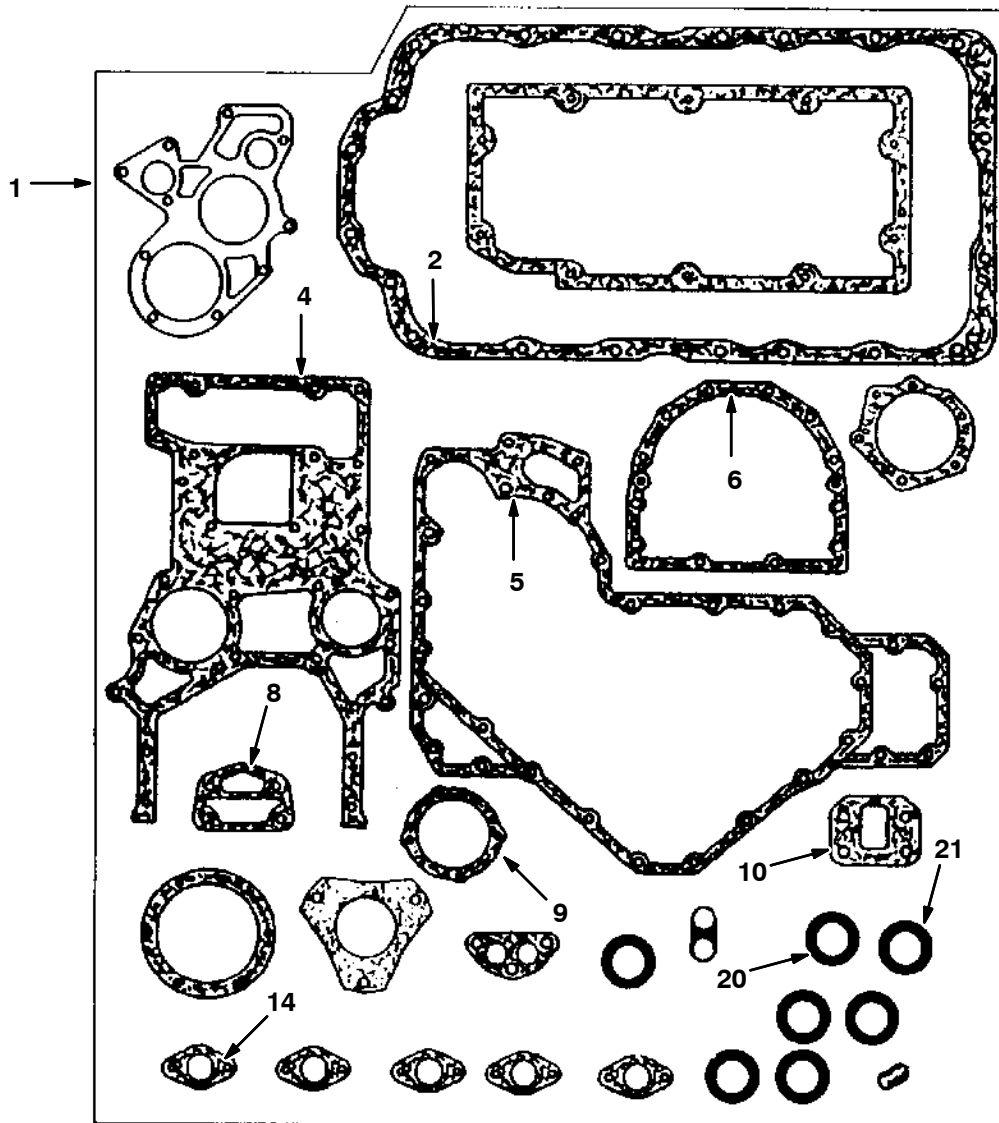
Fig. 35 - Top Gaskets Group



352446

Ref.	Tennant Part No.	Perkins Part Number	Description	Qty.
▽ 1	766628	U5LT1002	KIT, GASKET	1
▲ 2	766614	U3681E039	GASKET, HEAD	1
▲ 4	764909	U3685R009	GASKET	1
▲ 5	765006	3686D007	JOINT	1
▲ 6	765012	3688C018	JOINT	1
▲ 6	761825	3767A011	ELBOW	1
▲ 7	765003	3684N017	JOINT	1
▲ 9	766615	U3681V012	GASKET	1
▲ 10	764970	3311A001	WASHER	4
▲ 16	766600	U2418M507	SEAL	4
▲ 17	764433	33811112	OLIVE	1
▲ 21	764804	0566003	OLIVE	1
▲ 22	764900	U2418M505	SEAL	4
▲ 24	32590	33811114	OLIVE	6

Fig. 36 - Bottom Gaskets Group



352448

Ref.	Tennant Part No.	Perkins Part Number	Description	Qty.
▽ 1	766624	U5LB0322	KIT, GASKET	1
▲ 2	764868	3681K005	JOINT	1
▲ 4	764871	3681P009	JOINT	1
▲ 5	764999	3681P038	JOINT	1
▲ 6	765040	3681T012	JOINT	1
▲ 8	764877	3687W008	JOINT	1
▲ 9	765001	3683H006	JOINT	1
▲ 10	21796	36851123	JOINT	1
▲ 14	764888	36832137	JOINT	1
▲ 20	766650	26420318	JOINT	1
▲ 21	765008	3687Y016	JOINT	1

SECTION 6

Contents	Page
Fig. 1 - Engine Block Group	6-2
Fig. 2 - Cylinder Block Group	6-4
Fig. 3 - Crankshafts, Pistons and Connecting Rods Group	6-6
Fig. 4 - Cylinder Head Group	6-8
Fig. 5 - Rocker Shaft Group	6-10
Fig. 6 - Timing Gear and Camshaft Group	6-12
Fig. 7 - Lubricating Oil Pump Group	6-14
Fig. 8 - Flywheel Housing Group	6-16
Fig. 9 - Flywheel Group	6-17
Fig. 10 - Starter Motor Group	6-18
Fig. 11 - Starter Motor Breakdown	6-19
Fig. 12 - Fan Drive Group	6-20
Fig. 13 - Fan Group	6-21
Fig. 14 - Alternator Group	6-22
Fig. 15 - Water Pump Group	6-24
Fig. 16 - Front End Drive Input Group	6-26
Fig. 17 - Water Outlet Group	6-27
Fig. 18 - Gear Drive Group	6-28
Fig. 19 - Intake Heater Group	6-29
Fig. 20 - Engine Lifting Group	6-30
Fig. 21 - Mounting Group	6-31
Fig. 22 - Fuel Injection Group	6-32
Fig. 23 - Fuel Injection Line Group	6-34
Fig. 24 - Lubricating Oil Filter and Integral Oil Cooler Group	6-36
Fig. 25 - Lubricating Oil Sump Group	6-38
Fig. 26 - Lubricating Oil Filler and Breather Group	6-40
Fig. 27 - Turbocharger Group	6-42
Fig. 28 - Turbochargers Manifolds Group	6-43
Fig. 29 - Turbochargers, Manifolds, and Air Charge Cooler Group	6-44
Fig. 30 - Exhaust Flange Group	6-46
Fig. 31 - Fuel Pump Group	6-47
Fig. 32 - Low Pressure Fuel Group	6-48
Fig. 33 - Fuel Filter Group	6-50
Fig. 34 - Fuel Filter Mount Group	6-51
Fig. 35 - Fuel Line Group	6-52
Fig. 36 - Fuel Pre-Lift Pump Group	6-53
Fig. 37 - Top Gaskets Group	6-54

Fig. 1 - Engine Block Group

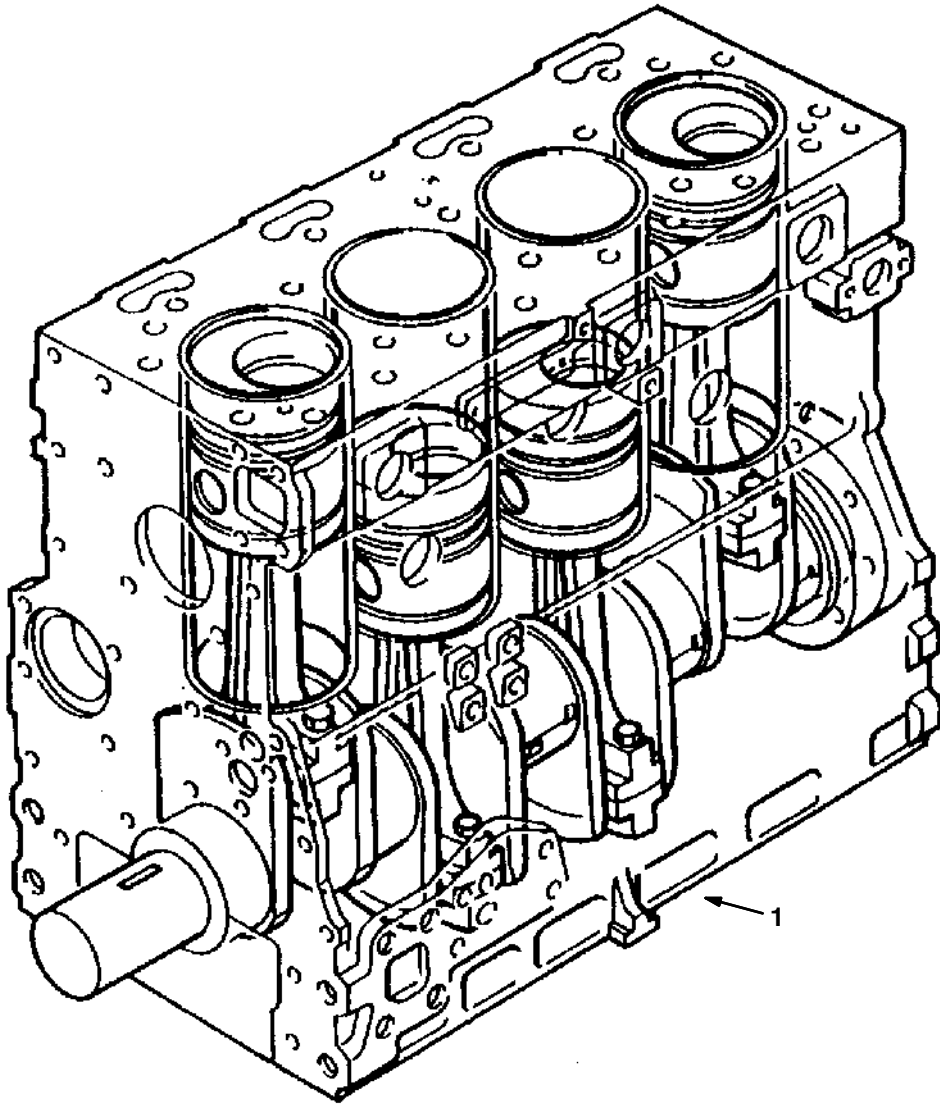


Fig. 1 - Engine Block Group

Ref.	Tennant Part No.	Perkins Part Number	Description	Qty.
1	764899	AL39762	SHORT ENGINE	1
2	764921	ZZ50265	KIT, CYLINDER BLOCK	1
2	764956	3135X063	LINER	4
2	764923	ZZ90145	KIT, CRANKSHAFT	1
2	764915	U5LH0003	KIT, PISTON	4
2	764916	U5LL0024	KIT, PISTON	4
2	765033	4181A033	KIT, PISTON RING	4
2	764924	ZZ90170	KIT, CONROD	4
2	764484	81558	KIT, BEARING	10
2	763811	U5ME0006	KIT, BEARING	8
2	764492	31137551	TOP	2
2	764494	31137561	BOTTOM	2
2	764473	2418F475	SEAL	1
2	763802	4142V066	HOUSING	1

TURBO ENGINE BREAKDOWN

Fig. 2 - Cylinder Block Group

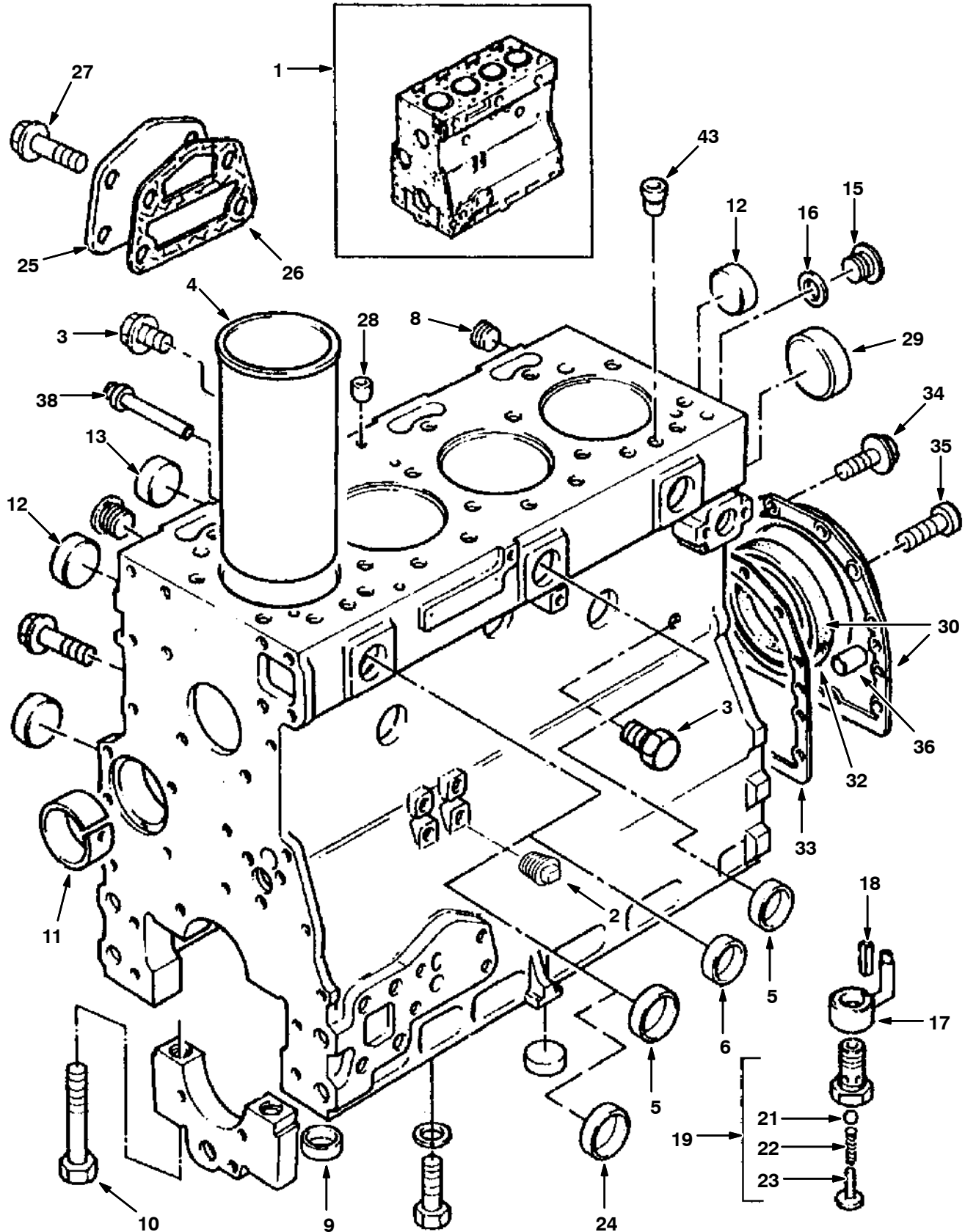


Fig. 2 - Cylinder Block Group

Ref.	Tennant Part No.	Perkins Part Number	Description	Qty.
1	764921	ZZ50265	KIT, CYLINDER BLOCK	1
2	763924	0650594	PLUG	2
3	764836	32161114	PLUG	2
4	764956	3135X063	LINER	4
5	764404	0650710	PLUG	6
6	764455	0650713	PLUG	1
8	764403	0650588	PLUG	1
9	764456	33142111	THIMBLE	10
10	764461	32166329	BOLT	10
11	764953	31134165	BUSHING	1
12	764465	32418122	PLUG	6
13	764965	32416118	PLUG	3
15	764470	0650582	PLUG	1
16	764471	3311R003	WASHER	1
17	765036	4126X124	JET	4
18	765034	2116A022	DOWEL	1
▽ 19	763806	4138A017	VALVE	4
▲ 21	763807	2538753	BALL	1
▲ 22	763808	3174A004	SPRING	1
▲ 23	763809	3271A003	RETAINER	1
24	765035	32418124	PLUG	1
25	764743	3623H008	PLATE	1
26	764877	3687W008	JOINT	1
27	764744	2314J033	SCREW	4
28	764467	32417134	PLUG	1
29	765039	32416119	PLUG	1
▽ 30	763802	4142V066	HOUSING	1
▲ 32	764473	2418F475	SEAL	1
33	765040	3681T012	JOINT	1
34	764409	2314H003	SCREW	12
35	765038	3212V002	SCREW	2
36	764478	0350009	DOWEL	2
38	764466	2485A204	PLUG	1
43	765037	29990001	DOWEL	2

TURBO ENGINE BREAKDOWN

Fig. 3 - Crankshafts, Pistons and Connecting Rods Group

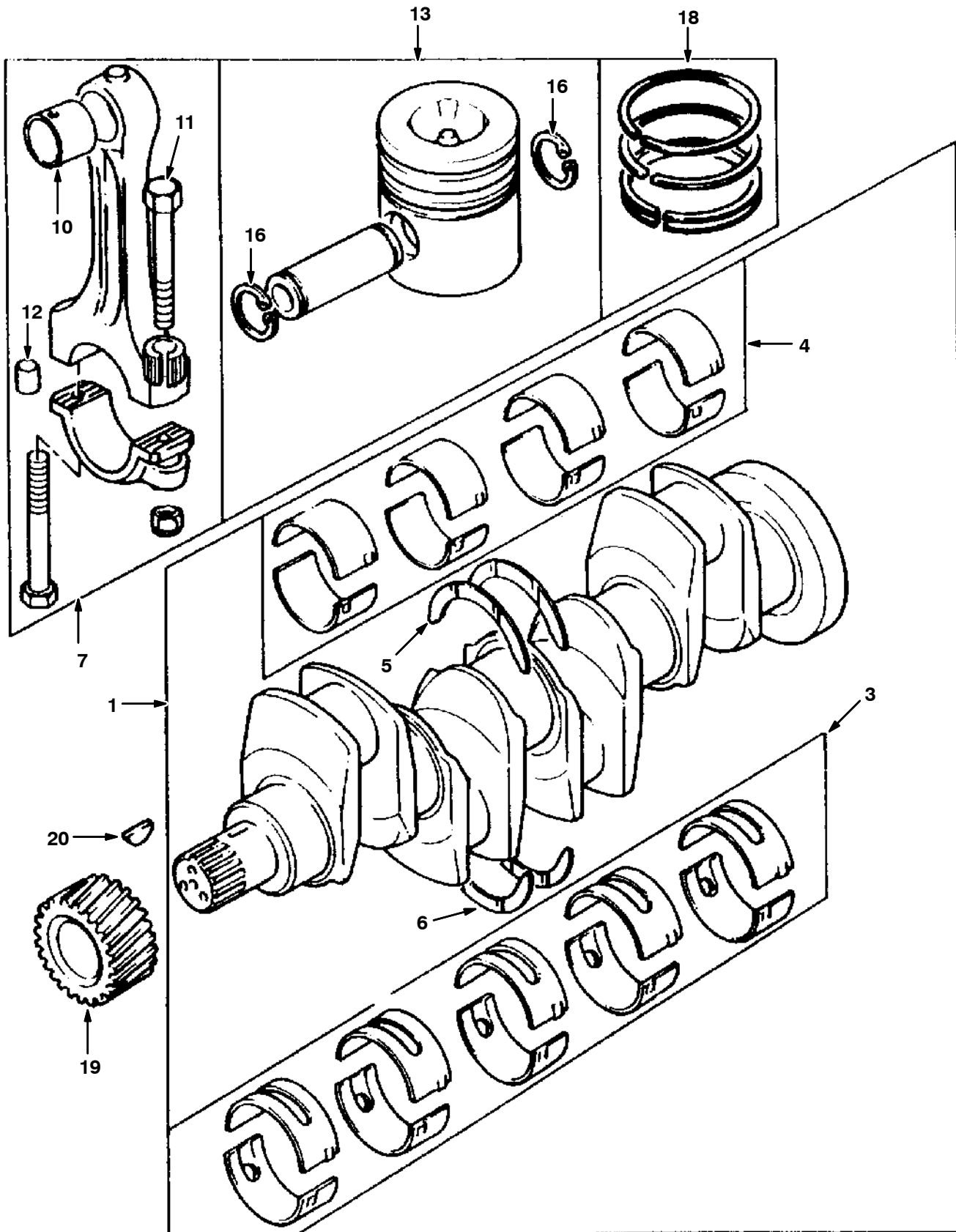


Fig. 3 - Crankshafts, Pistons and Connecting Rods Group

	Ref.	Tennant Part No.	Perkins Part Number	Description	Qty.
▽	1	764923	ZZ90145	KIT, CRANKSHAFT	1
▲	3	764484	81558	KIT, BEARING	1
▲	3	764485	81558A	KIT, BEARING	1
▲	3	764486	81558B	KIT, BEARING	1
▲	3	764487	81558C	KIT, BEARING	1
▲	4	763811	U5ME0006	KIT, BEARING	1
▲	4	763812	U5ME0006A	KIT, BEARING	1
▲	4	763813	U5ME0006B	KIT, BEARING	1
▲	4	763814	U5ME0006C	KIT, BEARING	1
▲	5	764492	31137551	TOP	1
▲	5	764493	31137312	THRUST WASHER	1
▲	6	764494	31137561	BOTTOM	1
▲	6	764495	31137322	THRUST WASHER	1
▽	7	764924	ZZ90170	KIT, CONROD	4
▲	10	764952	3112E011	BUSHING	1
▲	11	764964	32186142	SCREW	2
▲	12	764966	3246A001	DOWEL	2
	13	764915	U5LH0003	KIT, PISTON	4
	13	764916	U5LL0024	KIT, PISTON	4
	16	764951	2721332	CIRCLIP	2
	18	765033	4181A033	KIT, PISTON RING	4
	19	764503	3117C061	GEAR, CRANKSHAFT	1
	20	764402	0500012	WOODRUFF KEY	1

TURBO ENGINE BREAKDOWN

Fig. 4 - Cylinder Head Group

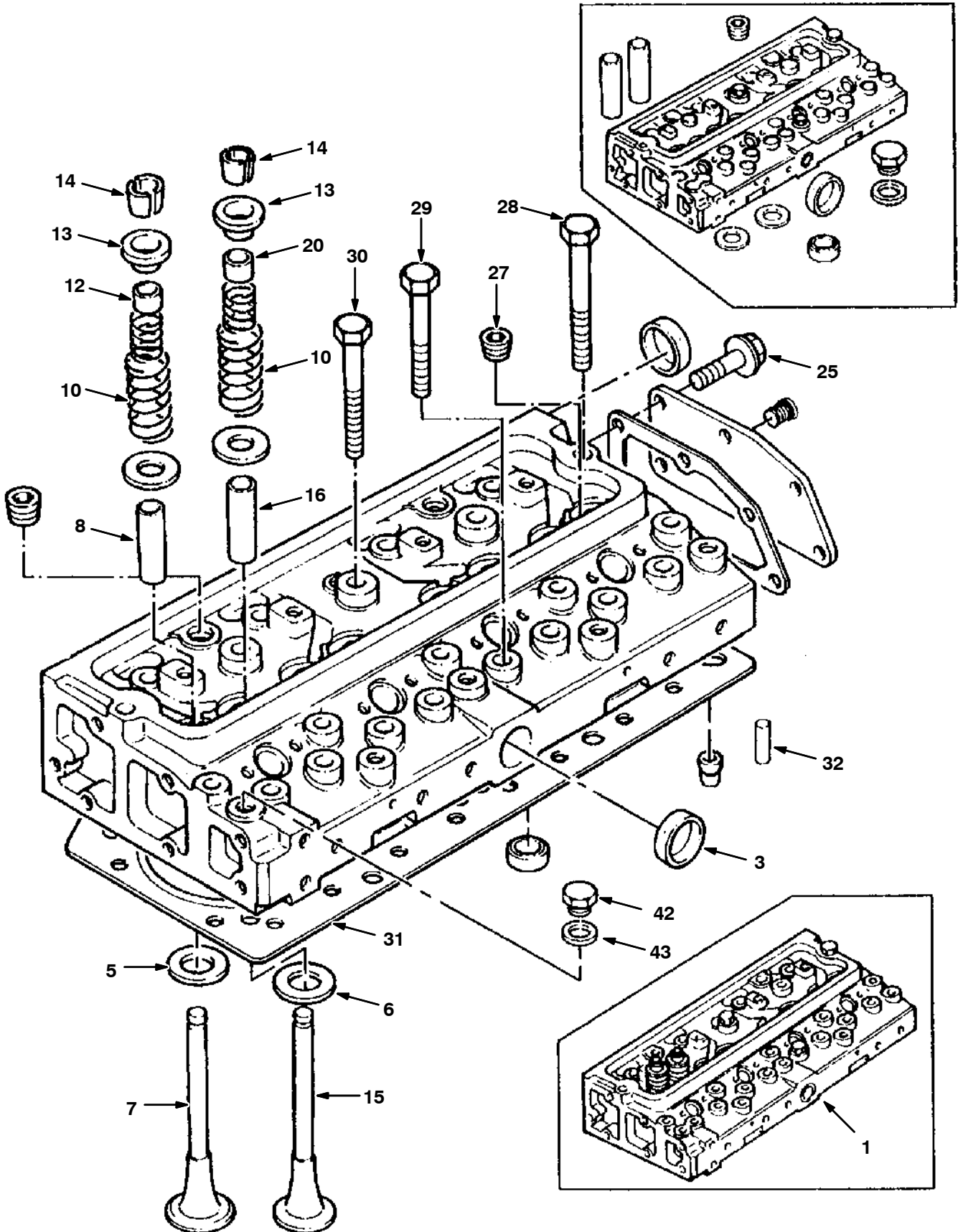


Fig. 4 - Cylinder Head Group

Ref.	Tennant Part No.	Perkins Part Number	Description	Qty.
1	764922	ZZ80238	KIT, CYL HEAD	1
3	764404	0650710	PLUG	1
5	764974	3314A061	INSERT	4
6	764973	3314A051	INSERT	4
7	764959	3142D041	VALVE, INLET	4
8	764976	3318A721	GUIDE	4
10	764961	3174T003	SPRING	8
12	764901	U2418M506	SEAL	4
13	764978	3342N011	CAP	8
14	764905	U3142W004	COTTER	16
15	764958	3142D031	VALVE, EXHAUST	4
16	764975	3318A711	GUIDE	4
20	764900	U2418M505	SEAL	4
25	764408	2314H002	SCREW	3
27	764517	2431A054	PLUG	4
28	764518	32166222	SCREW	2
29	764519	32166219	BOLT	8
30	764520	32166221	BOLT	12
31	764998	3681E031	HEAD GASKET	1
31	765041	3681E033	HEAD GASKET	1
32	764928	2116081	DOWEL	2
42	764927	0650203	PLUG	1
43	764835	2411157	WASHER	1

Fig. 5 - Rocker Shaft Group

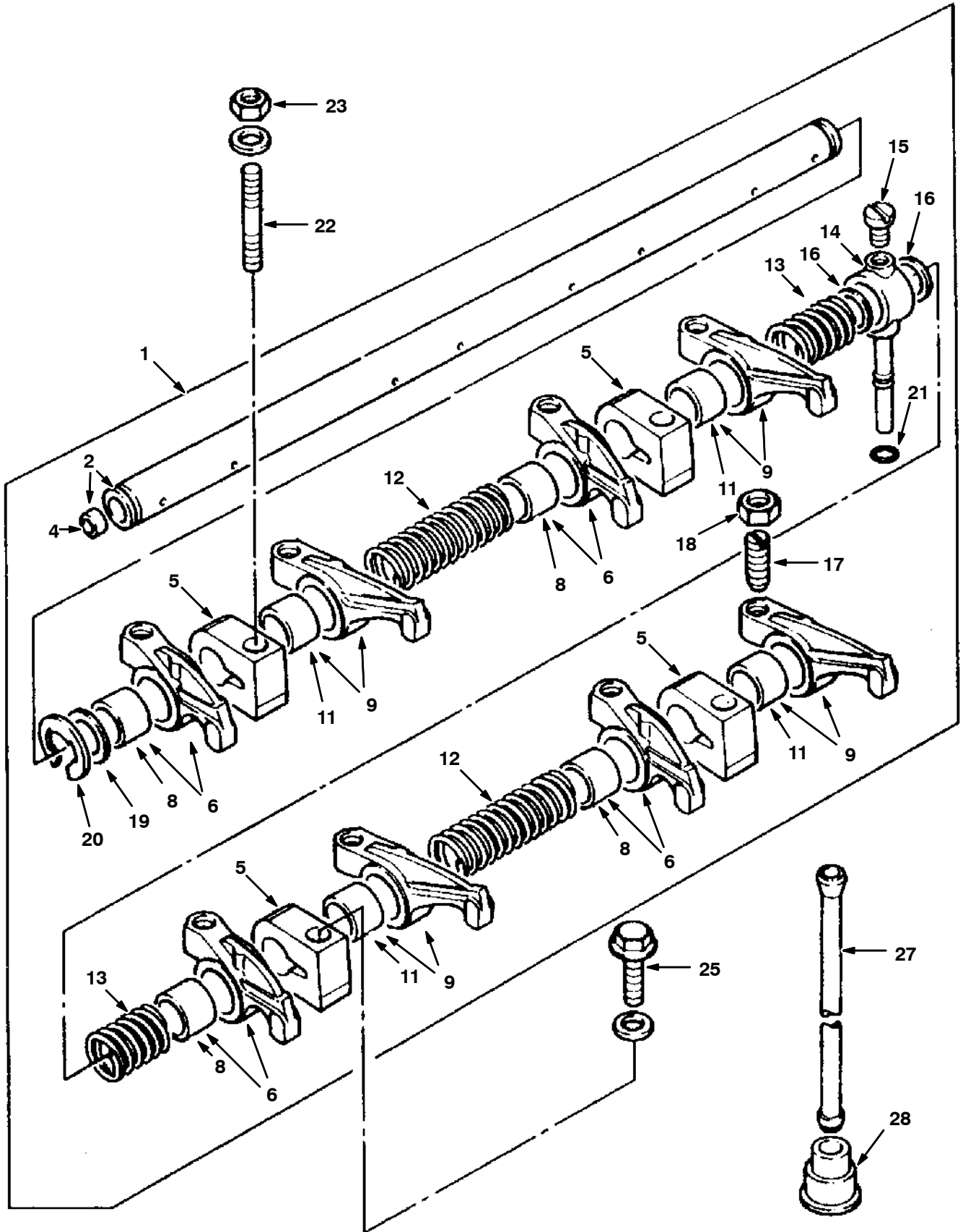


Fig. 5 - Rocker Shaft Group

	Ref.	Tennant Part No.	Perkins Part Number	Description	Qty.
▽	1	764925	ZZ90171	ROCKERSHAFT ASSY	1
▲▽	2	764926	ZZ90172	ROCKERSHAFT	1
▲▲	4	764524	0650507	PLUG	2
▲	5	763830	3818X901	BRACKET	4
▲▽	6	765023	4115R005	LEVER	4
▲▲	8	764954	31134166	BUSHING	1
▲▽	9	765024	4115R006	LEVER	4
▲▲	11	764954	31134166	BUSHING	4
▲	12	764530	31744123	SPRING	2
▲	13	764531	31743108	SPRING	2
▲	14	764532	3775E012	CONNECTION	1
▲	15	764533	2233022	SCREW	1
▲	16	764535	33117426	SHIM	2
▲	17	764536	0720579	SCREW	8
▲	18	764537	0576052	NUT	8
▲	19	764971	3311K012	WASHER	2
▲	20	764539	0170151	CIRCLIP	2
▲	21	764434	33811113	OLIVE	1
	22	763832	2313H331	STUD	3
	23	764640	2318A605	NUT	3
	25	764543	2314J607	SCREW	1
	27	764544	31434307	PUSHROD	8
	28	765042	3142U031	TAPPET	8

Fig. 6 - Timing Gear and Camshaft Group

Ref.	Tennant Part No.	Perkins Part Number	Description	Qty.
1	764910	U3716C161	TIMING CASE	1
2	764871	3681P009	JOINT	1
3	764409	2314H003	SCREW	8
4	764410	2314H004	SCREW	4
5	764957	3141D071	CAMSHAFT	1
6	763834	33153135	WASHER	1
7	764550	2116053	PIN	1
8	765044	3117L023	GEAR, CAMSHAFT	1
9	764402	0500012	WOODRUFF KEY	1
10	765043	2314J606	SCREW	1
11	764552	3321A003	WASHER	1
12	764553	33426161	HUB	1
▽ 13	764554	4111A013	GEAR, IDLER	1
▲ 15	764457	0050345	BUSHING	1
16	765045	3241H009	PLATE	1
17	764556	2314J010	SCREW	3
18	764914	U4142A404	COVER	1
19	764558	2418F436	SEAL	1
20	764999	3681P038	JOINT	1
21	764560	2314H013	SCREW	6
22	764410	2314H004	SCREW	1
23	764575	2314H005	SCREW	7
24	764561	2313M058	STUD	2
25	764421	2318A603	NUT	2
29	765020	3781N043	SHIELD	1
30	765019	3781N042	DAMPER	1
31	764567	2314F003	SCREW	2

Fig. 7 - Lubricating Oil Pump Group

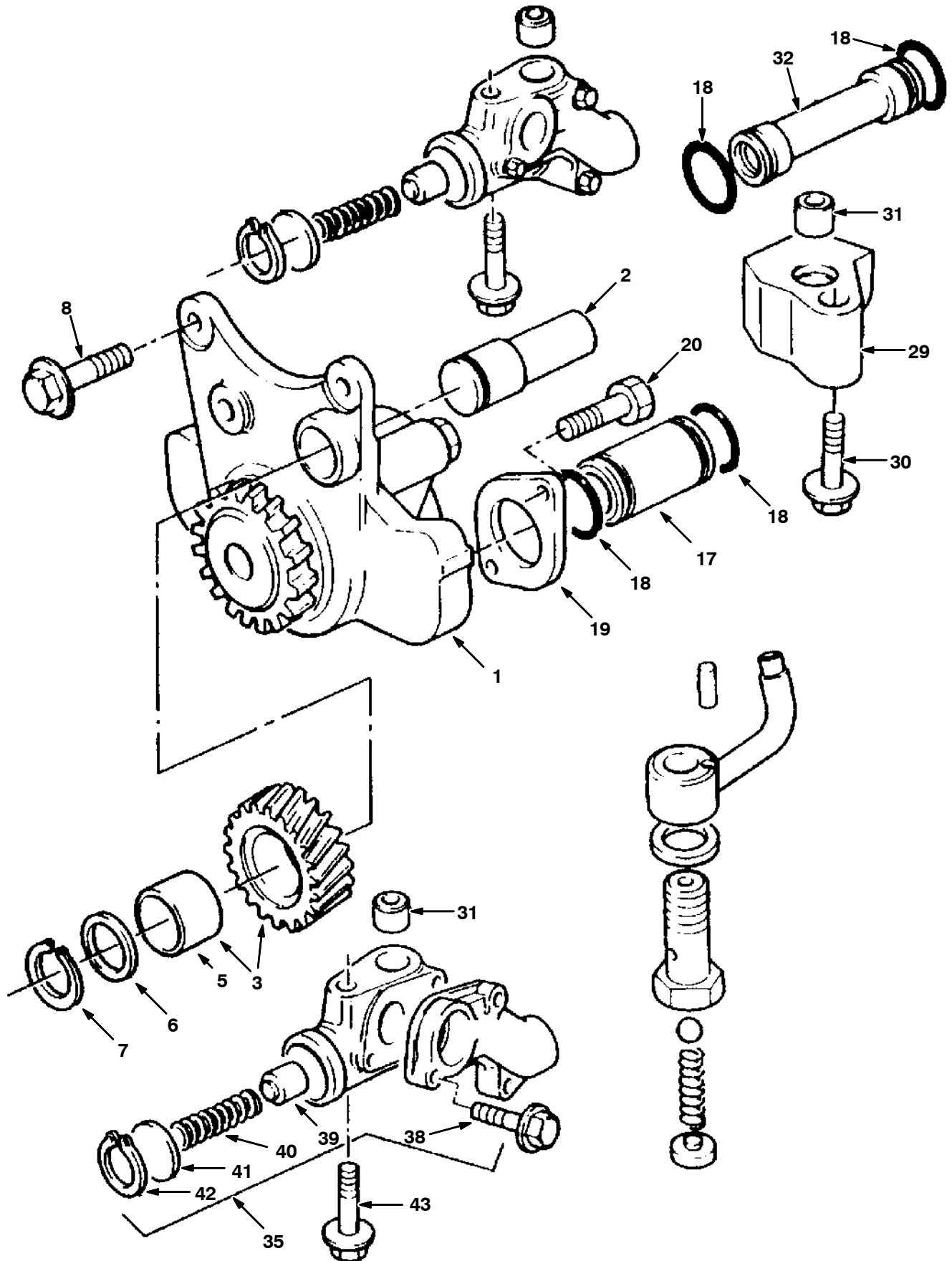
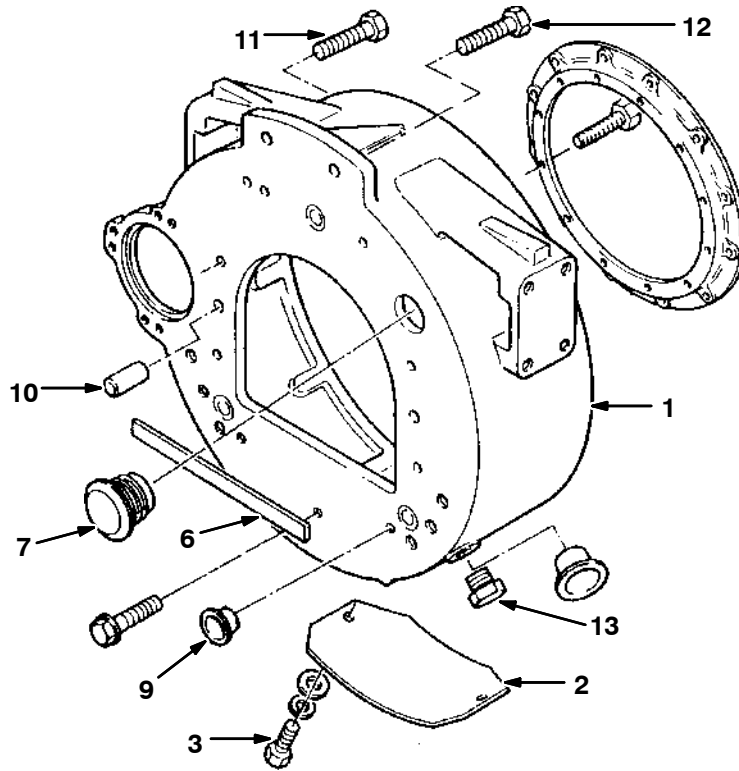


Fig. 7 - Lubricating Oil Pump Group

	Ref.	Tennant Part No.	Perkins Part Number	Description	Qty.
	1	763836	4132F056	OIL PUMP	1
	2	765046	3271H004	SHAFT	1
▽	3	764571	4111A021	GEAR, IDLER	1
▲	5	764529	2511437	BUSHING	1
	6	765047	33123125	WASHER	1
	7	764574	2722A206	CIRCLIP	1
	8	764575	2314H005	SCREW	3
	17	764576	3343F012	PIPE, OIL	1
	18	764577	2415H201	O-RING	4
	19	764578	3748C011	FLANGE	1
	20	764410	2314H004	SCREW	2
	29	764579	3763W011	ADAPTOR	1
	30	764580	2314J008	SCREW	1
	31	765048	33137409	THIMBLE	2
	32	764582	3343M307	PIPE, OIL	1
▽	35	763837	4138A037	RELIEF VALVE	1
▲	38	764584	2314F907	SCREW	3
▲	39	764585	32712726	PLUNGER	1
▲	40	764586	3174L003	SPRING	1
▲	41	764587	32712111	SEAT	1
▲	42	764588	2721130	CIRCLIP	1
	43	764589	2314J011	SCREW	1

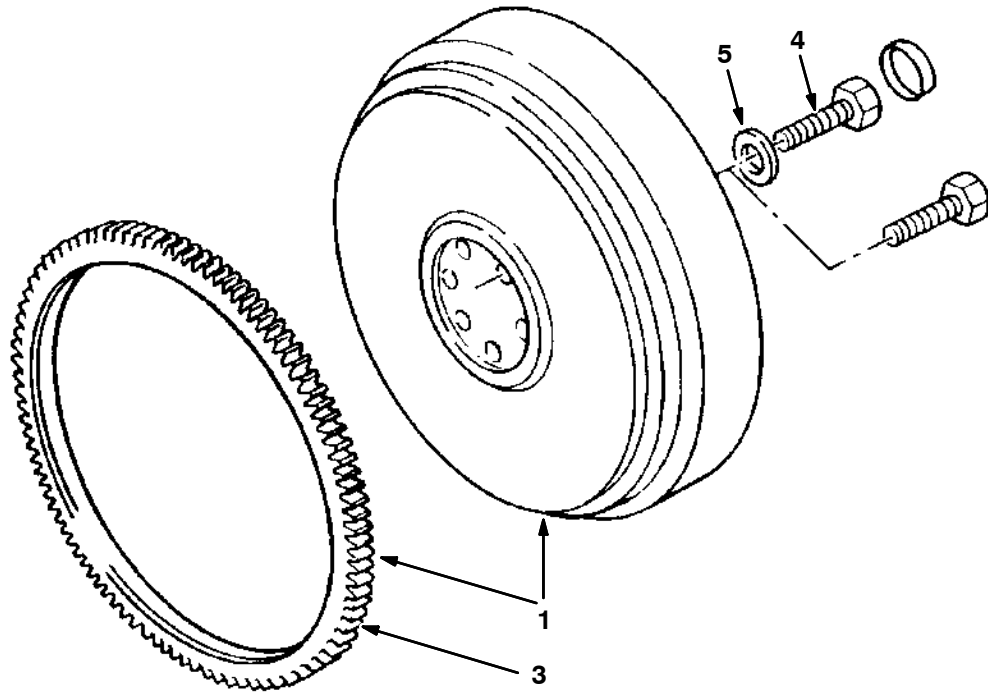
Fig. 8 - Flywheel Housing Group



352390

Ref.	Tennant Part No.	Perkins Part Number	Description	Qty.
1	765051	3713M042	FLYWHEEL HOUSING	1
2	764591	36212132	PLATE	1
3	765049	2314H102	SCREW	2
6	763868	36843154	SEAL	1
7	765050	2487402	PLUG	1
9	764595	2487204	PLUG	3
10	764596	0350025	DOWEL	2
11	766643	2314J204	SCREW	6
12	764420	2314J603	SCREW	2
13	764427	2487Y005	PLUG	1

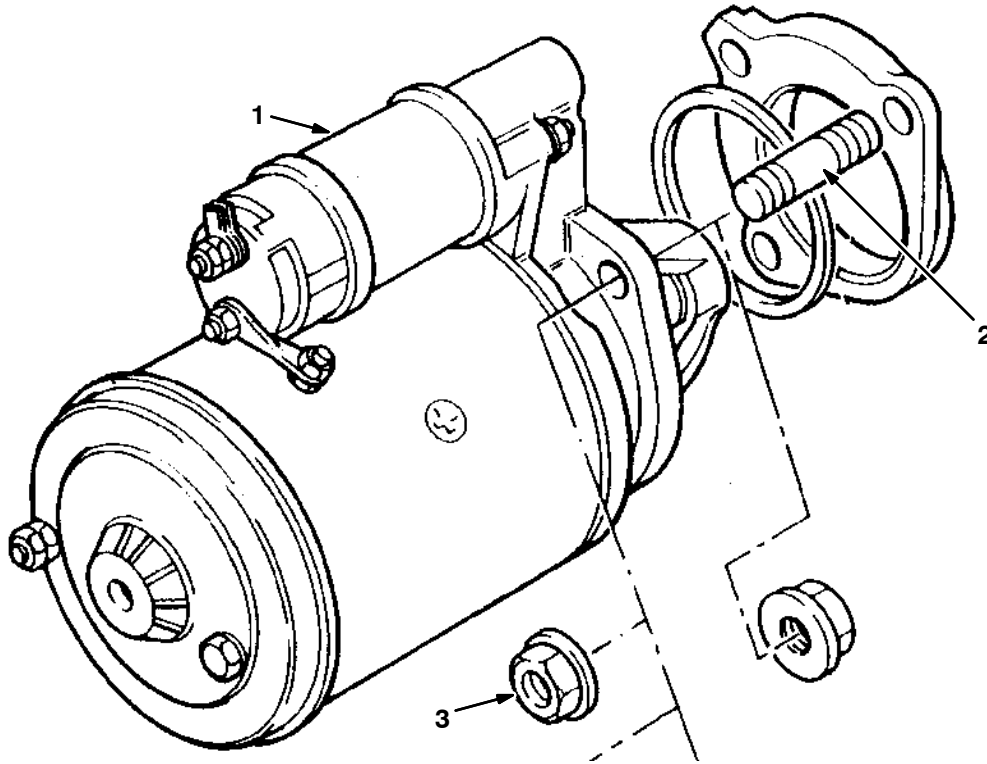
Fig. 9 - Flywheel Group



352392

	Ref.	Tennant Part No.	Perkins Part Number	Description	Qty.
▽	1	764597	4111D095	FLYWHEEL	1
▲	3	764598	31162121	GEAR, STARTER RING	1
	4	764460	0096803	BOLT	6
	5	764599	33117127	WASHER	6

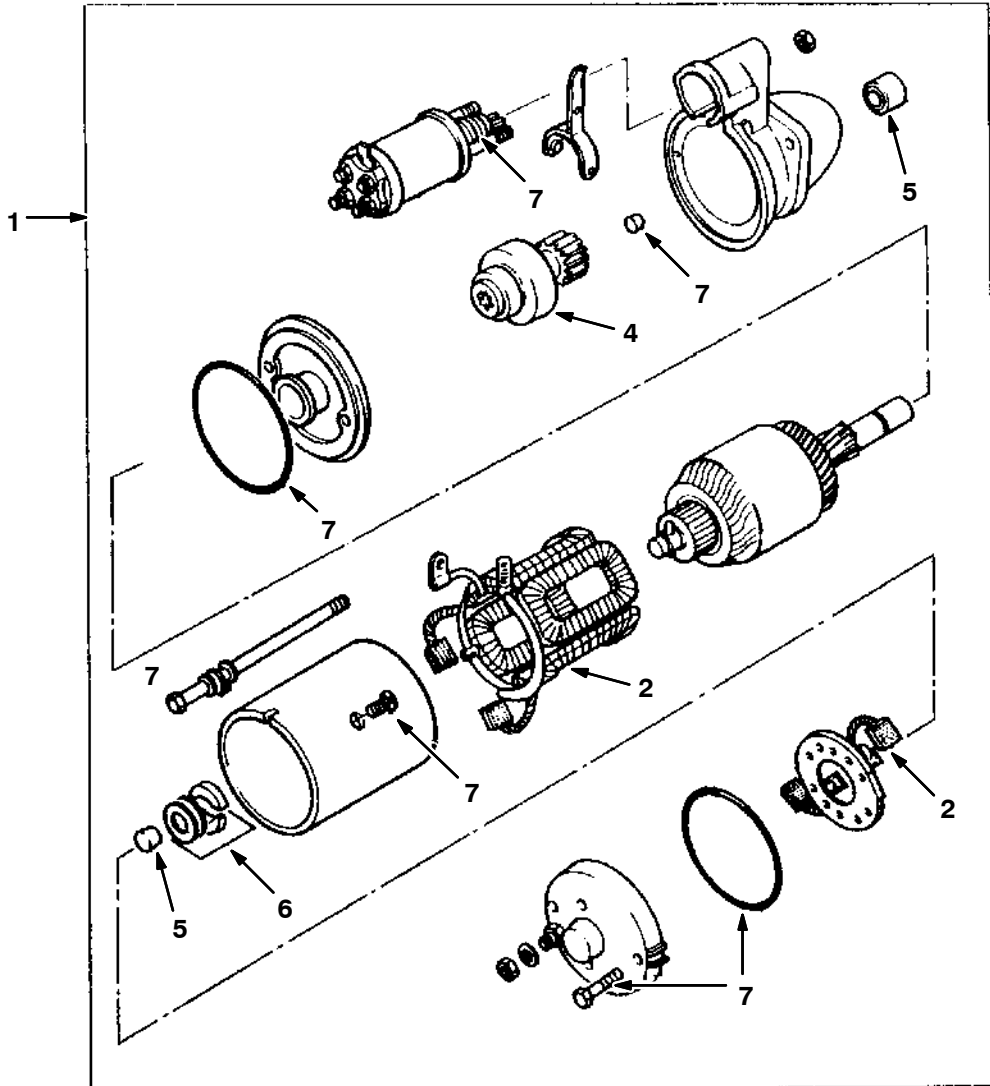
Fig. 10 - Starter Motor Group



352394

Ref.	Tennant Part No.	Perkins Part Number	Description	Qty.
1	764431	2873B071	STARTER MOTOR (SEE BREAKDOWN)	1
2	764407	2313C077	STUD	3
3	764422	2318A604	NUT	3

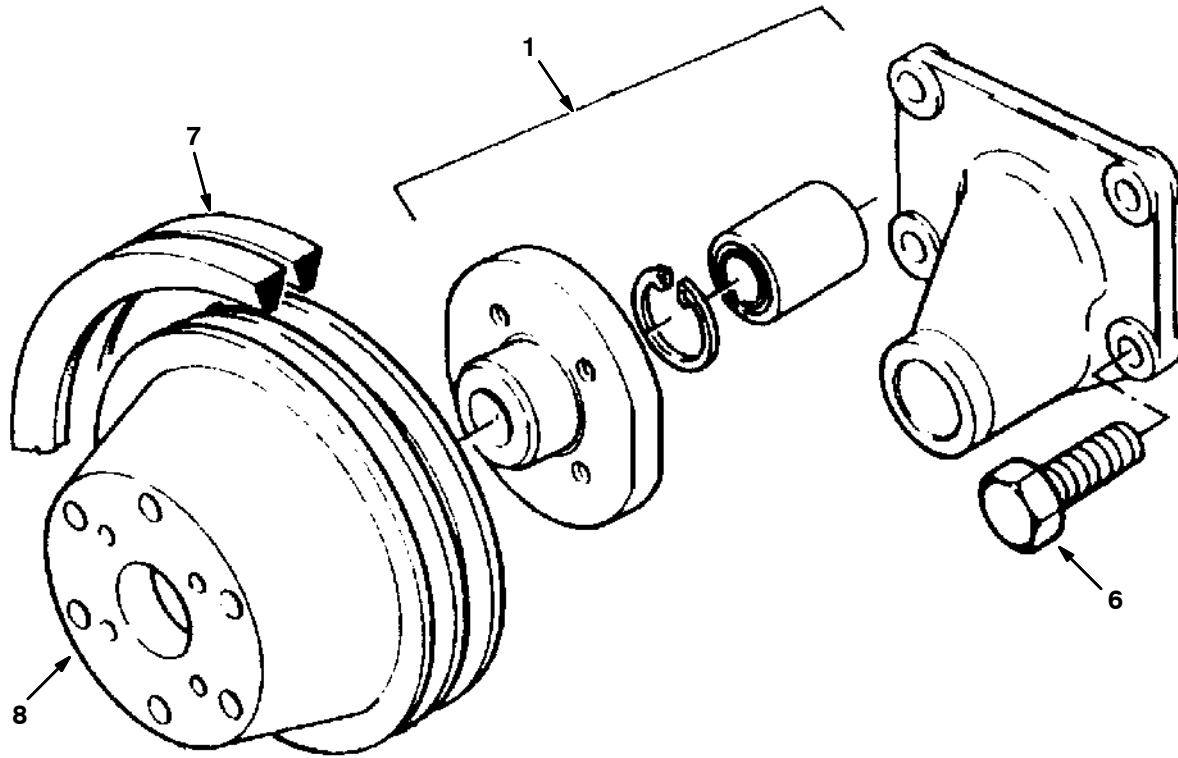
Fig. 11 - Starter Motor Breakdown



352396

Ref.	Tennant Part No.	Perkins Part Number	Description	Qty.
▽ 1	764431	2873B071	STARTER MOTOR	1
▲ 2	765052	28730201	KIT, BRUSH	1
▲ 4	765054	28730267	DRIVE	1
▲ 5	764603	28730238	KIT, BRUSH	1
▲ 6	764604	28730193	KIT, BRAKE	1
▲ 7	765053	28730209	KIT, REPAIR	1

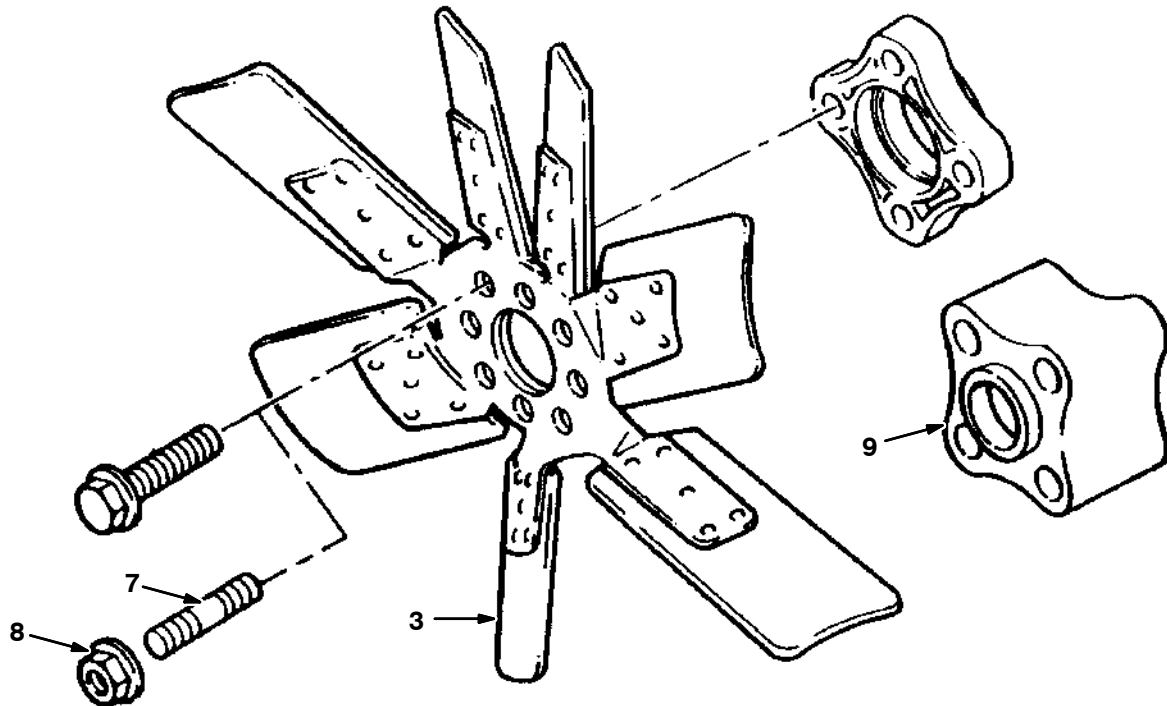
Fig. 12 - Fan Drive Group



352398

Ref.	Tennant Part No.	Perkins Part Number	Description	Qty.
1	765056	4113H074	HOUSING	1
6	764418	2314J015	SCREW	4
7	766649	2614B659	BELT, FAN	1
8	766656	3115C111	PULLEY	1

Fig. 13 - Fan Group



352412

Ref.	Tennant Part No.	Perkins Part Number	Description	Qty.
3	767601	2485C517	FAN	1
7	765060	2313H229	STUD	4
8	765061	2318D208	NUT	4
9	765062	3748W223	EXTENSION	1

Fig. 14 - Alternator Group

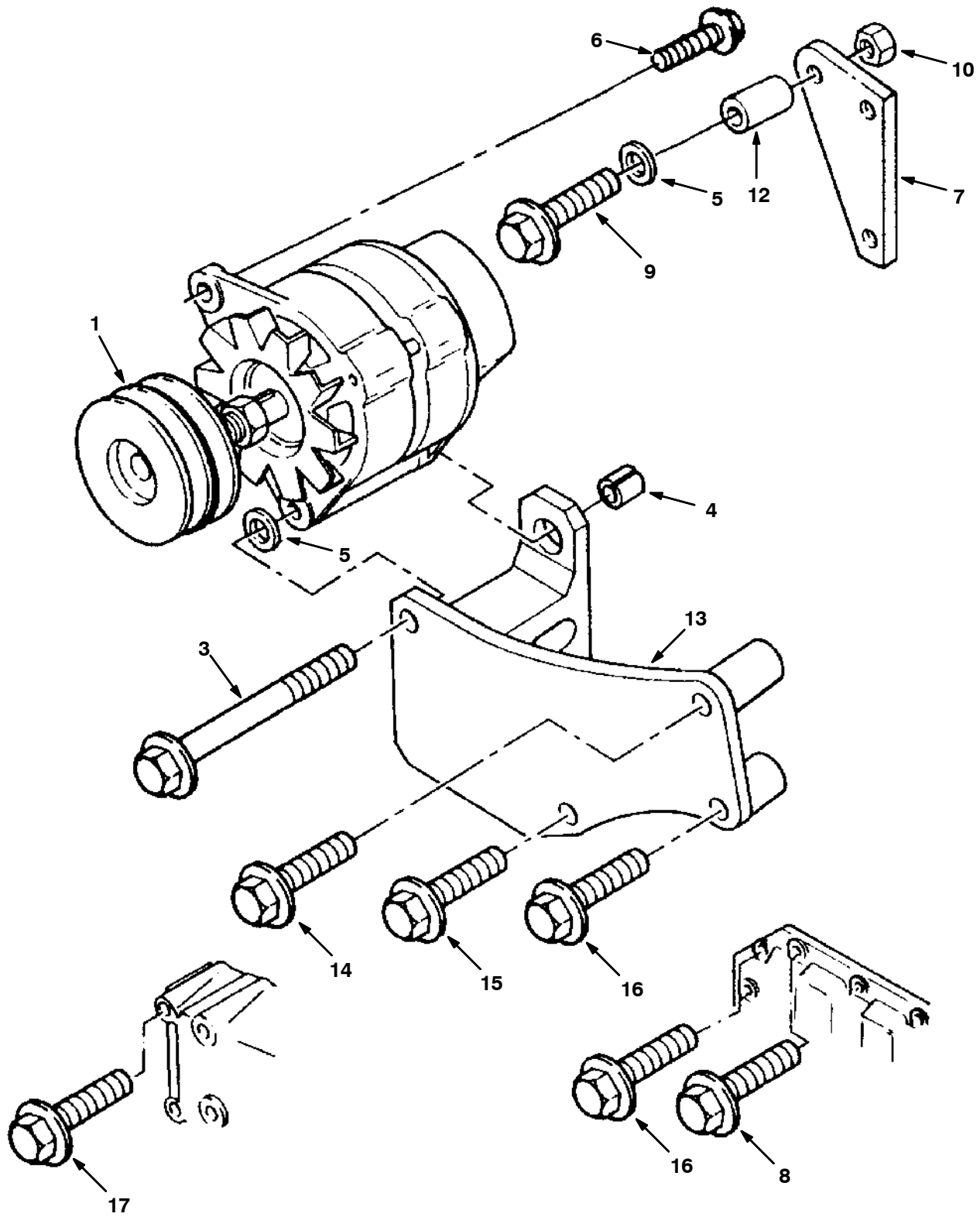


Fig. 14 - Alternator Group

Ref.	Tennant Part No.	Perkins Part Number	Description	Qty.
1	764611	3115A044	PULLEY, ALTERNATOR	1
3	764418	2314J015	SCREW	1
4	764618	3318H105	SLEEVE	1
5	764613	2131A010	WASHER	2
6	764409	2314H003	SCREW	1
7	764907	U3623T012	BRACKET	1
8	764575	2314H005	SCREW	1
9	764580	2314J008	SCREW	1
10	764936	2318D240	NUT	1
12	764972	3312K026	SPACER	1
13	764616	3822P011	BRACKET	1
14	764636	2314J006	SCREW	2
15	764414	2314H017	SCREW	1
16	764609	2314K159	SCREW	2
17	764560	2314H013	SCREW	2

Fig. 15 - Water Pump Group

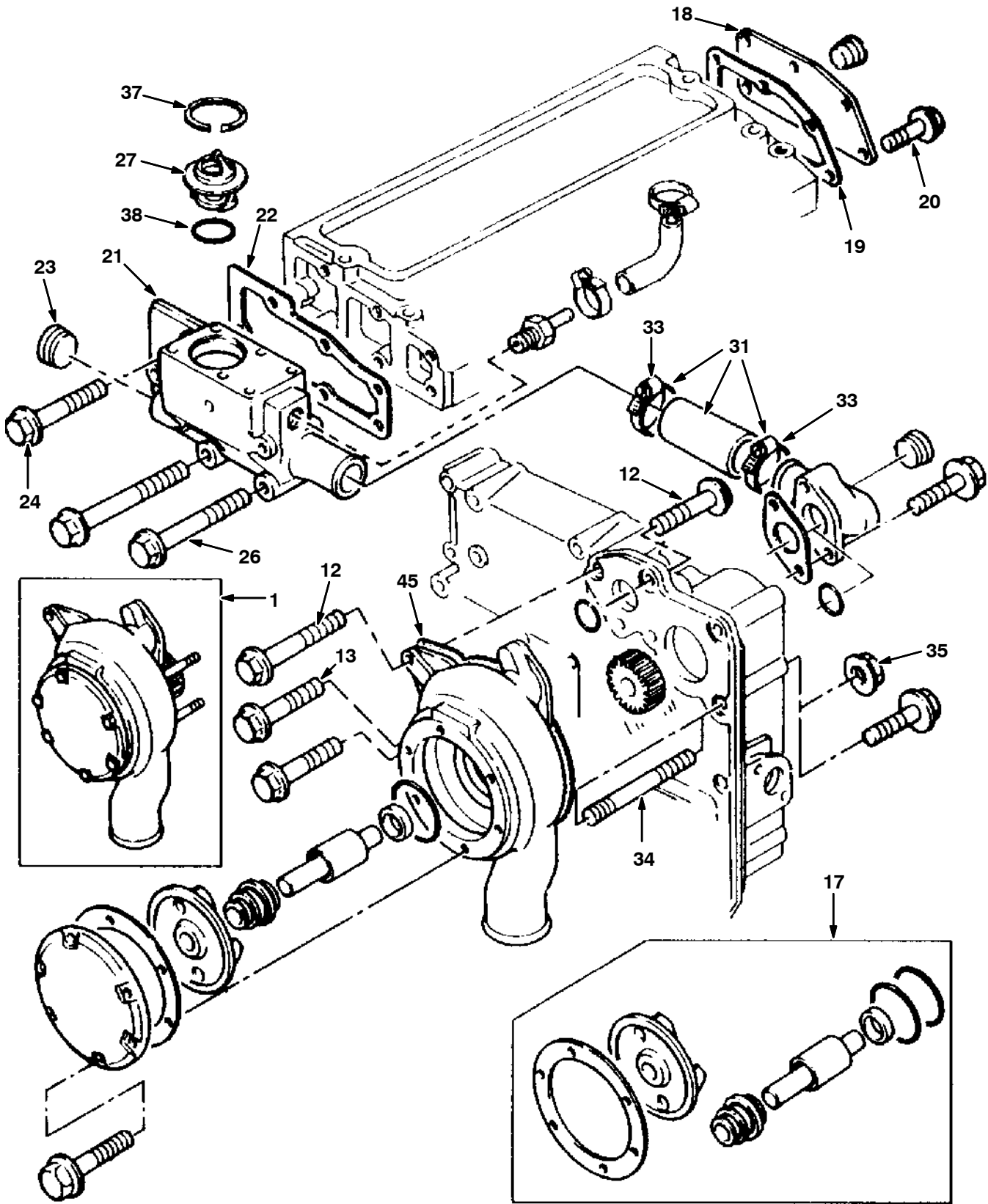
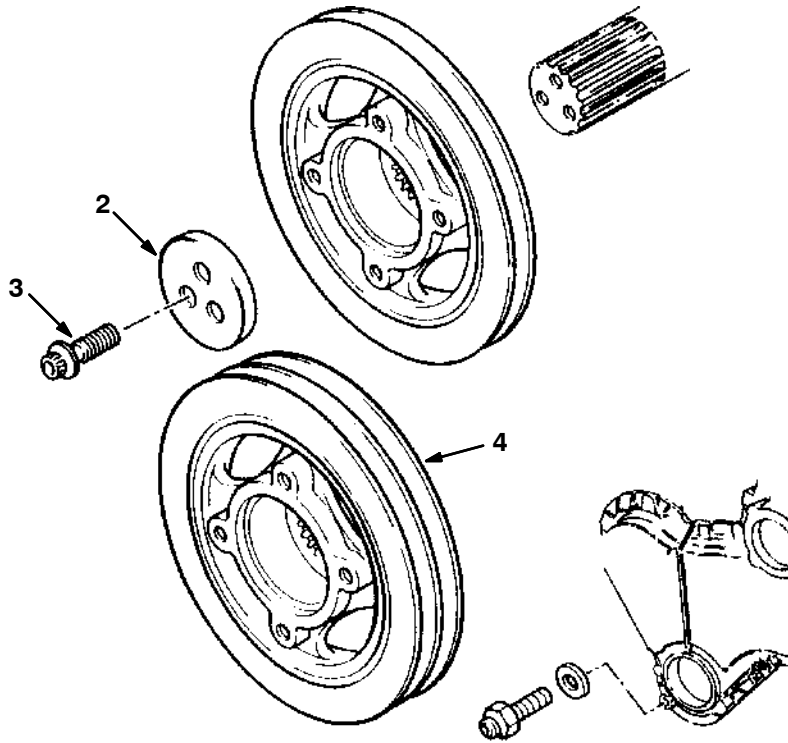


Fig. 15 - Water Pump Group

Ref.	Tennant Part No.	Perkins Part Number	Description	Qty.
1	766629	U5MW0164	WATER PUMP	1
12	764414	2314H017	SCREW	5
13	764794	2314H033	SCREW	3
17	764920	U7LW0147	KIT, REPAIR	1
18	764906	U3623H024	COVER	1
19	764909	U3685R009	JOINT	1
20	764408	2314H002	SCREW	3
21	765017	3771K214	HOUSING	1
22	765006	3686D007	JOINT	1
23	764425	2431154	PLUG	1
24	764620	2314K161	SCREW	3
26	764412	2314H008	SCREW	3
27	764941	2485C025	THERMOSTAT	1
▽ 31	764918	U5MH0056	KIT, HOSE	1
▲ 33	369000	0180066	CLIP	2
33	764929	21825198	CLIP	2
34	764930	2313F068	STUD	2
35	764421	2318A603	NUT	2
37	764983	3381J005	RING	1
38	764938	2415A090	O-RING	1
45	765008	3687Y016	JOINT	1

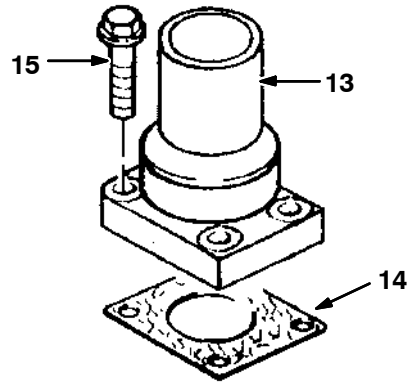
Fig. 16 - Front End Drive Input Group



352406

Ref.	Tennant Part No.	Perkins Part Number	Description	Qty.
2	764776	3241N001	BLOCK	1
3	764777	32186137	BOLT	3
4	764778	3115T051	PULLEY, CRANK	1

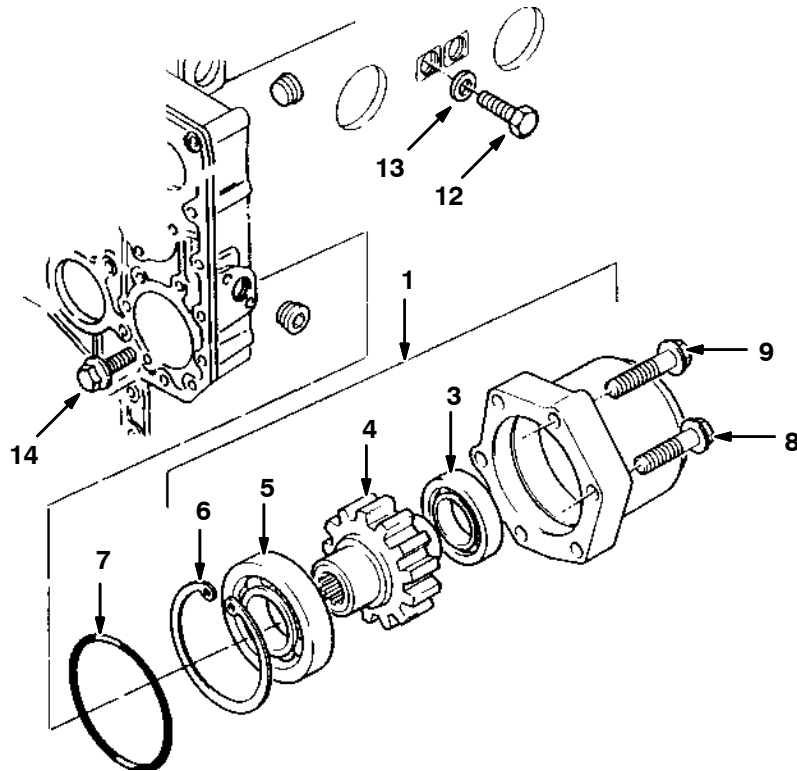
Fig. 17 - Water Outlet Group



352410

Ref.	Tennant Part No.	Perkins Part Number	Description	Qty.
13	765016	3766P411	CONNECTION	1
14	765003	3684N017	JOINT	1
15	764409	2314H003	SCREW	4

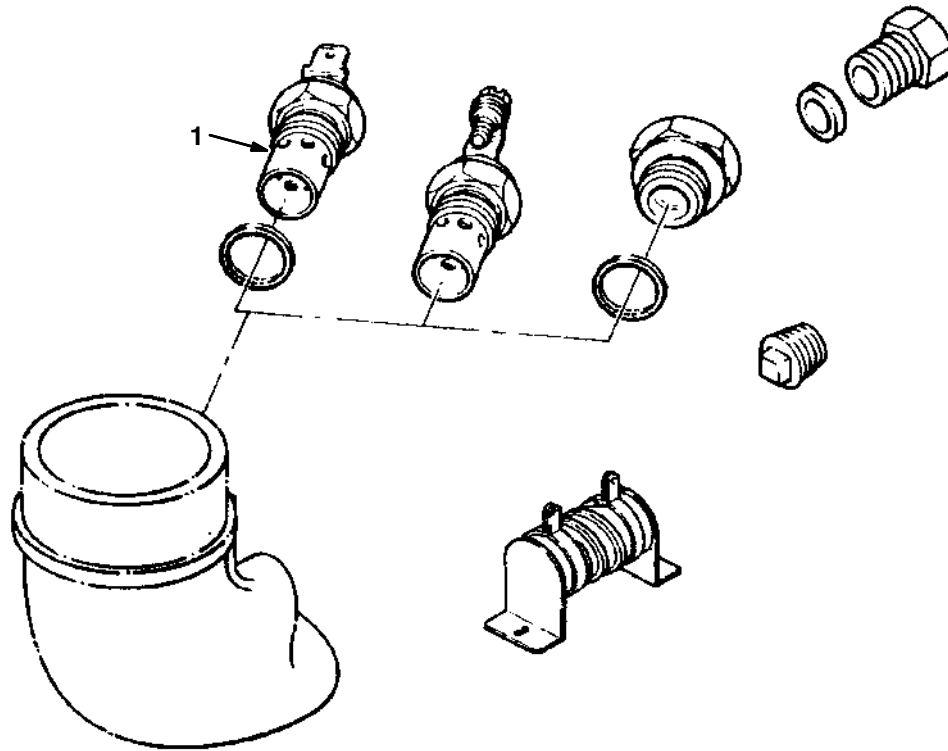
Fig. 18 - Gear Drive Group



352416

Ref.	Tennant Part No.	Perkins Part Number	Description	Qty.
▽ 1	764624	4113H068	ADAPTOR	1
▲ 3	764625	2521A207	BEARING, BALL	1
▲ 4	764626	3117C116	GEAR, HYD PUMP	1
▲ 5	764627	2521A415	BEARING, BALL	1
▲ 6	764628	2721A537	CIRCLIP	1
7	764629	2415B167	O-RING	1
8	764630	2311D578	SCREW	1
9	764631	2311D559	SCREW	5
12	764632	2314C049	SCREW	1
13	764633	0920155	WASHER	1
14	764417	2314J004	SCREW	1

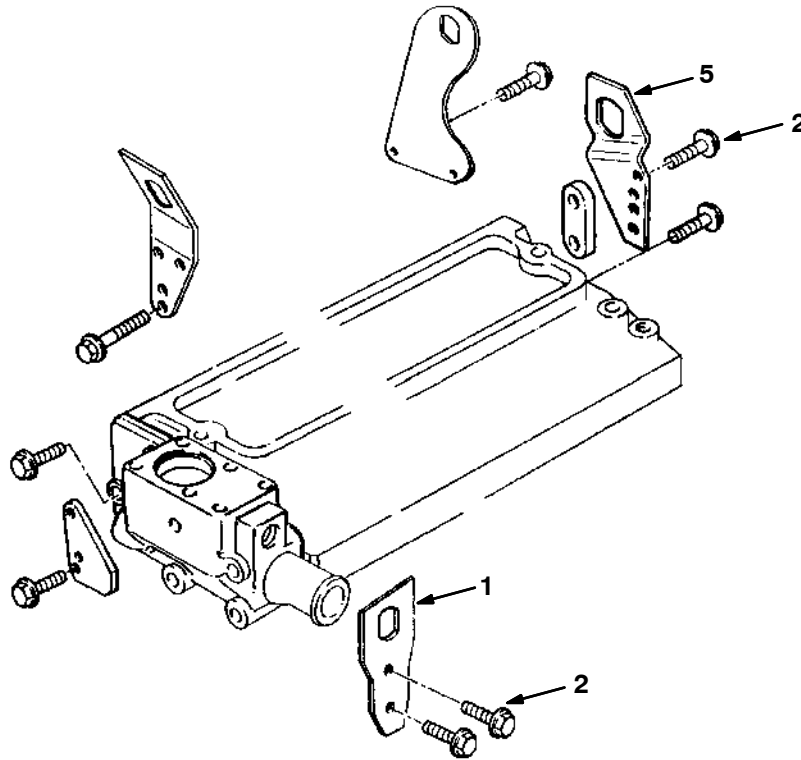
Fig. 19 - Intake Heater Group



352430

Ref.	Tennant Part No.	Perkins Part Number	Description	Qty.
1	764634	2666108	INTAKE HEATER	1

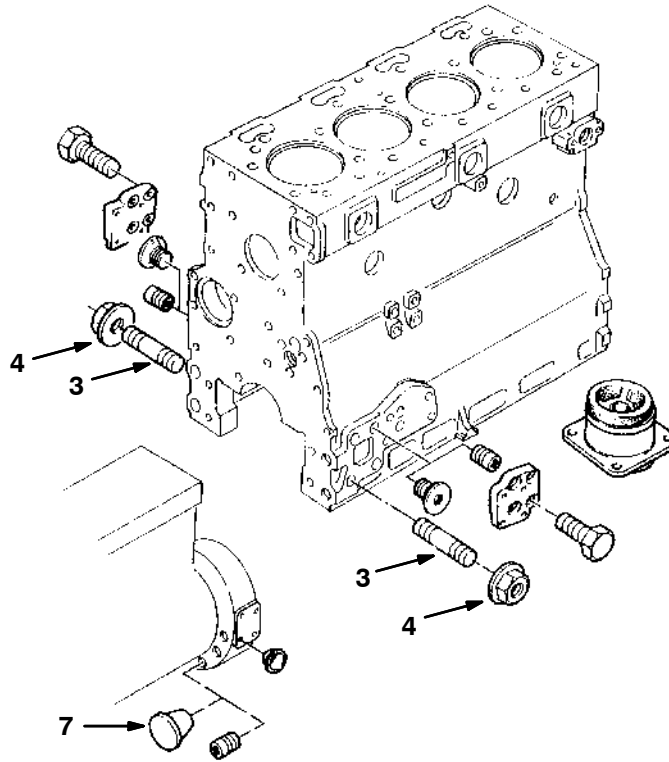
Fig. 20 - Engine Lifting Group



352432

Ref.	Tennant Part No.	Perkins Part Number	Description	Qty.
1	764908	U3648C008	PLATE	1
2	764416	2314J003	SCREW	4
5	764993	3654W007	PLATE	1

Fig. 21 - Mounting Group



352438

Ref.	Tennant Part No.	Perkins Part Number	Description	Qty.
3	764639	2313M101	STUD	8
4	764640	2318A605	NUT	8
7	764641	2487208	PLUG	10

Fig. 22 - Fuel Injection Group

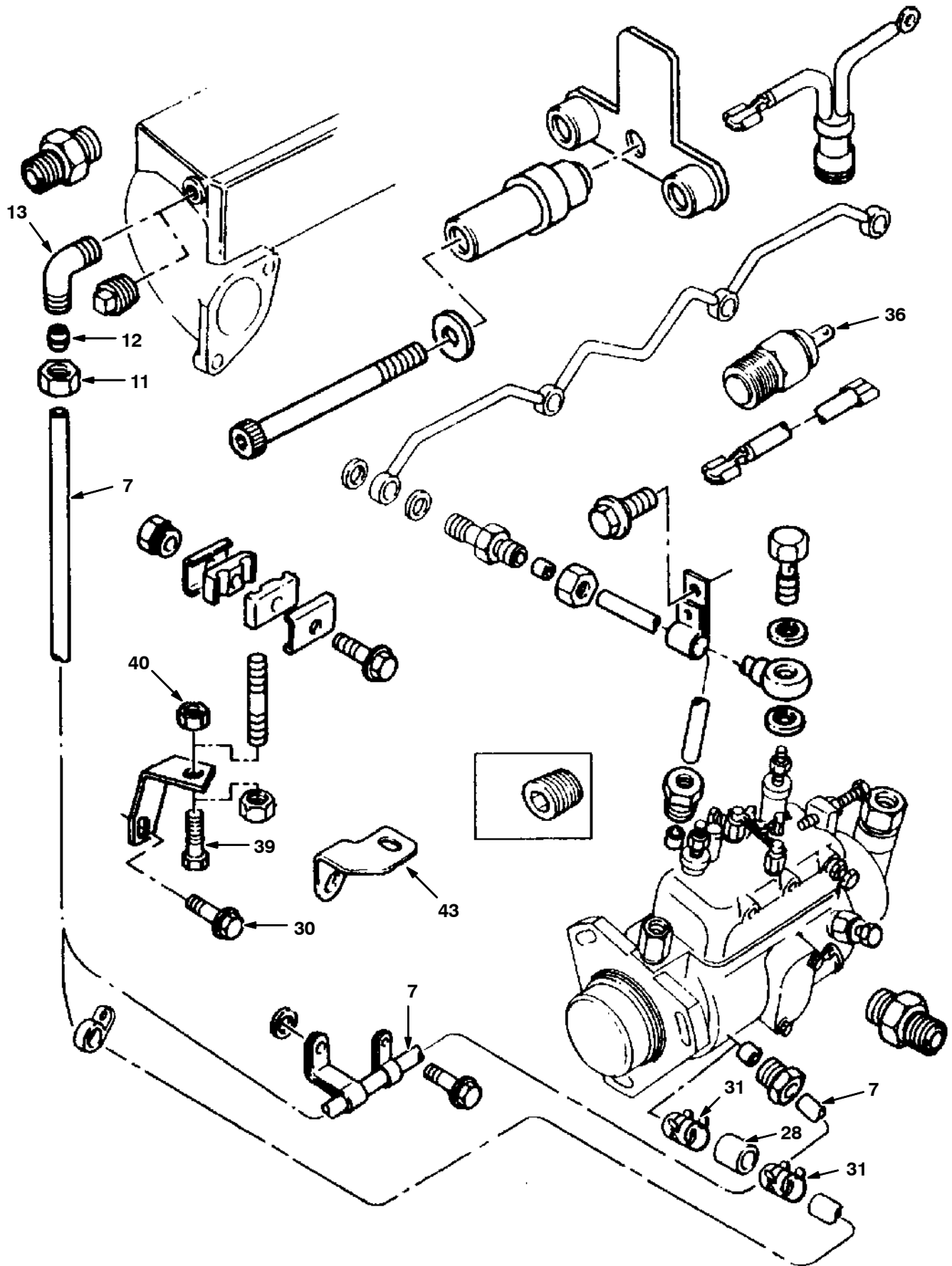


Fig. 22 - Fuel Injection Group

Ref.	Tennant Part No.	Perkins Part Number	Description	Qty.
7	765030	4126A012	PIPE, AIR	1
11	763850	0576111	NUT	1
12	763851	0566002	OLIVE	1
13	763852	0201047	CONNECTION	1
28	764986	3386A004	HOSE	1
30	764409	2314H003	SCREW	1
31	764940	2481C002	CLIP	2
36	765032	4173A101	SWITCH	1
39	764415	2314J002	SCREW	1
40	764421	2318A603	NUT	1
43	764992	3644Y004	BRACKET	1

Fig. 23 - Fuel Injection Line Group

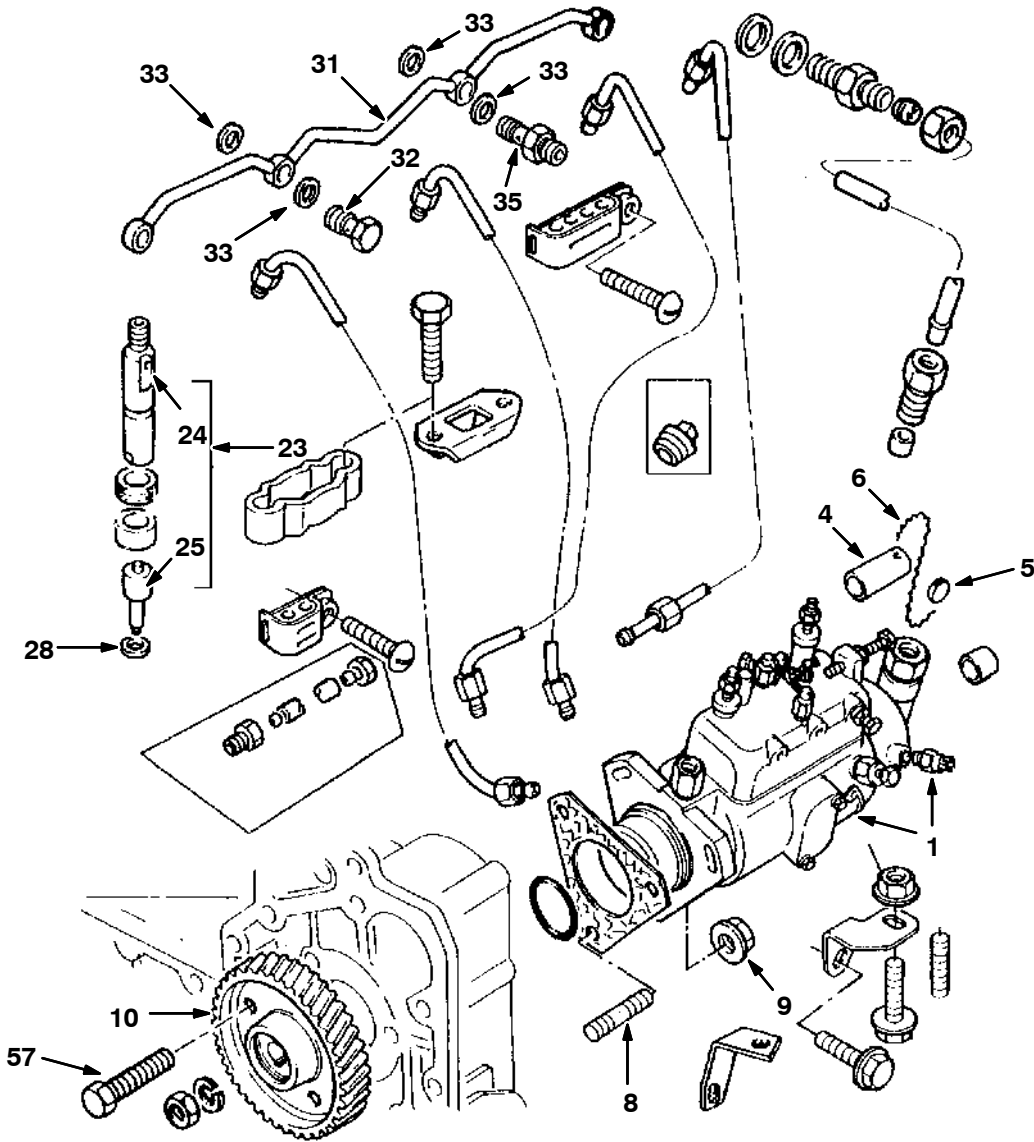


Fig. 23 - Fuel Injection Line Group

	Ref.	Tennant Part No.	Perkins Part Number	Description	Qty.
▽	1	764902	U2643U228	INJECTION PUMP	1
▲		766693		PIPE	1
▲		766694		WASHER, SEALING	1
▲		766695		OLIVE	1
	4	764969	3281M002	SLEEVE	1
	5	764659	31718104	SEAL	1
	6	764660	31718105	WIRE	1
	8	764662	2313M059	STUD	3
	9	764421	2318A603	NUT	3
	10	764955	3117L192	GEAR, FUEL PUMP	1
▽	23	764903	U2645L023	ATOMIZER	4
▲	24	764945	2645L306	HOLDER	1
▲	25	764946	2645L617	NOZZLE	1
	28	369259	L311FF02	WASHER	4
	31	764988	3558X051	LEAK-OFF PIPE	1
	32	764962	3218R005	BOLT	3
	33	764970	3311A001	WASHER	8
	35	764981	3355V002	CONNECTION	1
	57	764408	2314H002	SCREW	4

9004068 UFK4C739 INJECTION PUMP
(Starting with engine S/N U969465G) 1

Fig. 24 - Lubricating Oil Filter and Integral Oil Cooler Group

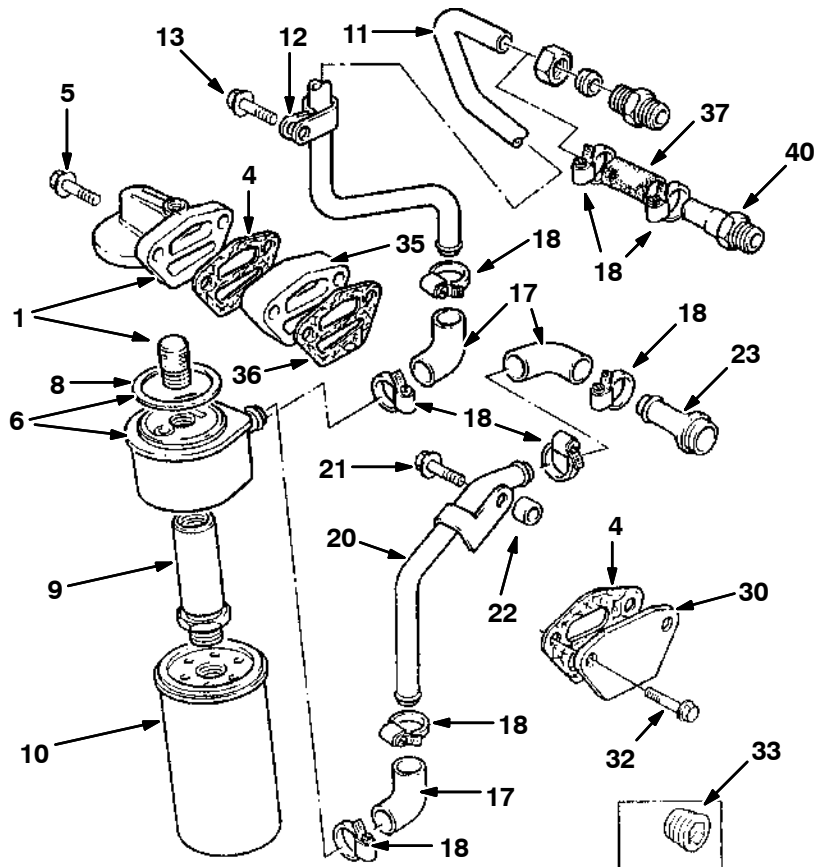


Fig. 24 - Lubricating Oil Filter and Integral Oil Cooler Group

Ref.	Tennant Part No.	Perkins Part Number	Description	Qty.
1	763873	3773K004	FILTER HEAD	1
4	764877	3687W008	JOINT	2
5	763877	2314J040	SCREW	4
▽ 6	763874	2486A206	OIL COOLER	1
▲ 8	764740	2486A211	GASKET	1
9	763876	2486A209	CONNECTOR	1
10	68986	2654407	OIL FILTER	1
11	765031	4126K149	PIPE, WATER	1
12	764747	3656M003	CLIP	1
13	763886	2314J001	SCREW	1
17	764745	34821121	HOSE	3
18	763879	2481877	HOSE CLIP	8
20	763880	3573M009	PIPE, WATER	1
21	764609	2314K159	SCREW	1
22	763884	33246123	SPACER	1
23	763881	3346C006	ADAPTOR	1
30	764743	3623H008	PLATE	1
32	764744	2314J033	SCREW	4
33	764403	0650588	PLUG	1
35	763878	3773T101	ADAPTOR	1
36	765007	3686T006	JOINT	1
37	763885	3383A001	HOSE	1
40	764655	33552414	ADAPTOR	1

Fig. 25 - Lubricating Oil Sump Group

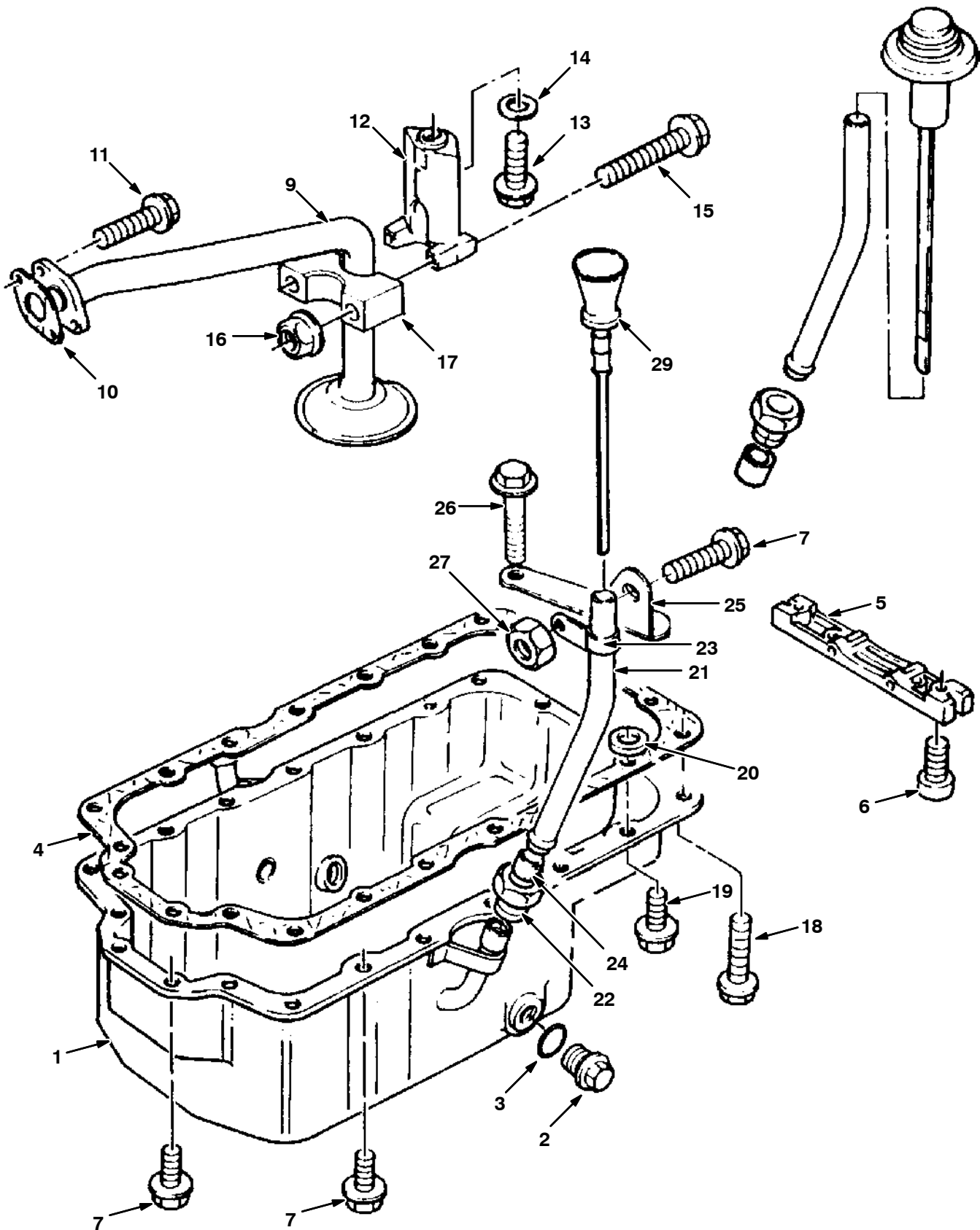


Fig. 25 - Lubricating Oil Sump Group

Ref.	Tennant Part No.	Perkins Part Number	Description	Qty.
1	764701	3717Y002	SUMP	1
2	764702	2487A020	PLUG	2
3	764703	2415715	O-RING	2
4	764868	3681K005	JOINT	1
5	765057	3627P023	BRIDGE PIECE	1
6	764707	2311D039	SCREW	2
7	764408	2314H002	SCREW	18
9	764709	3575A018	PIPE, OIL	1
10	764888	36832137	JOINT	1
11	764710	2314H007	SCREW	2
12	764711	3824A021	BRACKET	1
13	764410	2314H004	SCREW	1
14	764712	0330807	SPACER	1
15	764713	2314F016	SCREW	2
16	764714	2318D802	NUT	2
17	763870	3735A011	CLAMP	1
18	764719	2314H031	SCREW	2
19	764409	2314H003	SCREW	1
20	764720	0920460	SPACER	1
21	765058	4126X091	TUBE	1
22	764716	3353D005	NUT	1
23	763872	36565517	CLIP	1
24	764717	33812116	OLIVE	1
25	765059	3823D024	BRACKET	1
26	763886	2314J001	SCREW	1
27	764421	2318A603	NUT	1
29	370702	3178C126	DIPSTICK	1

Fig. 26 - Lubricating Oil Filler and Breather Group

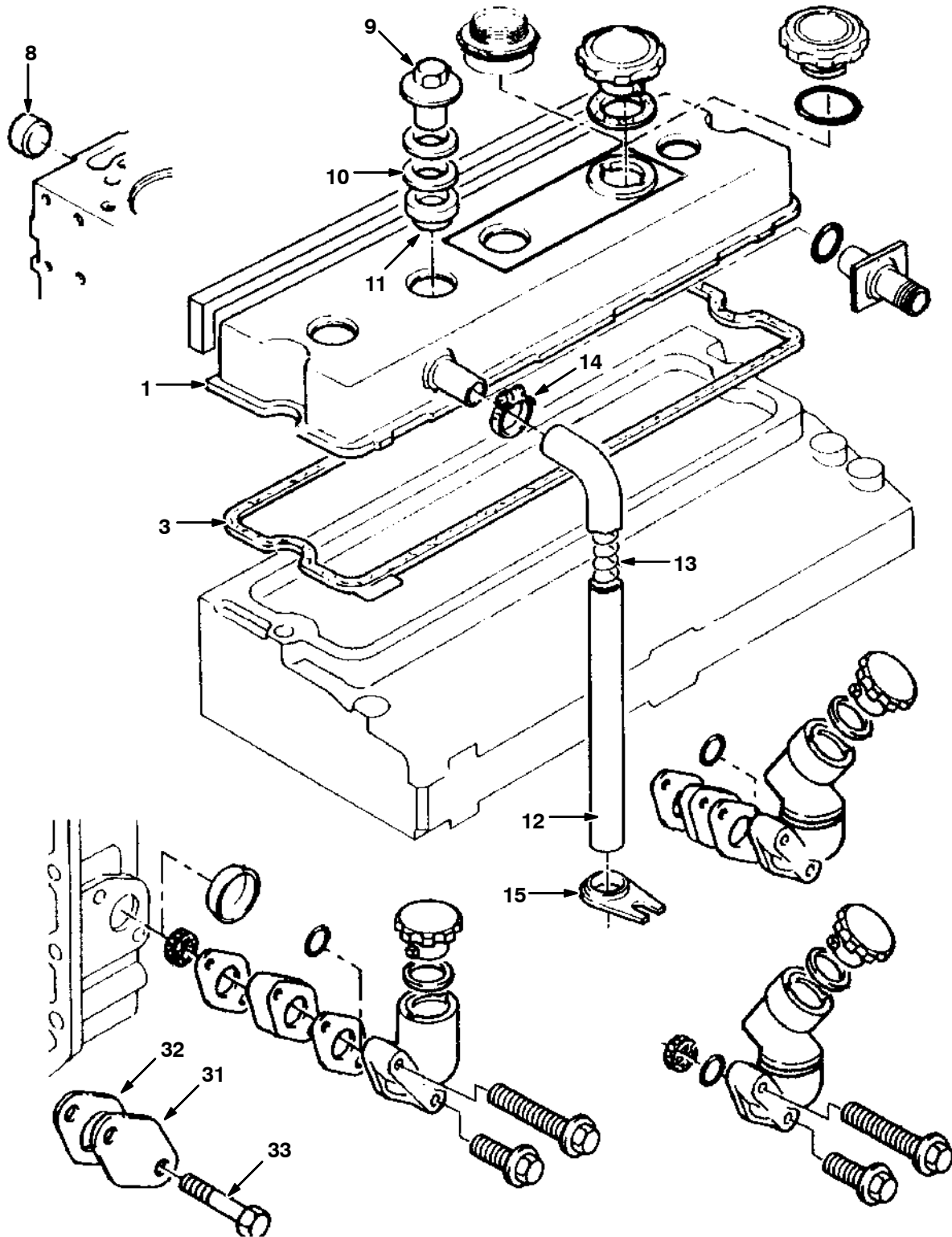
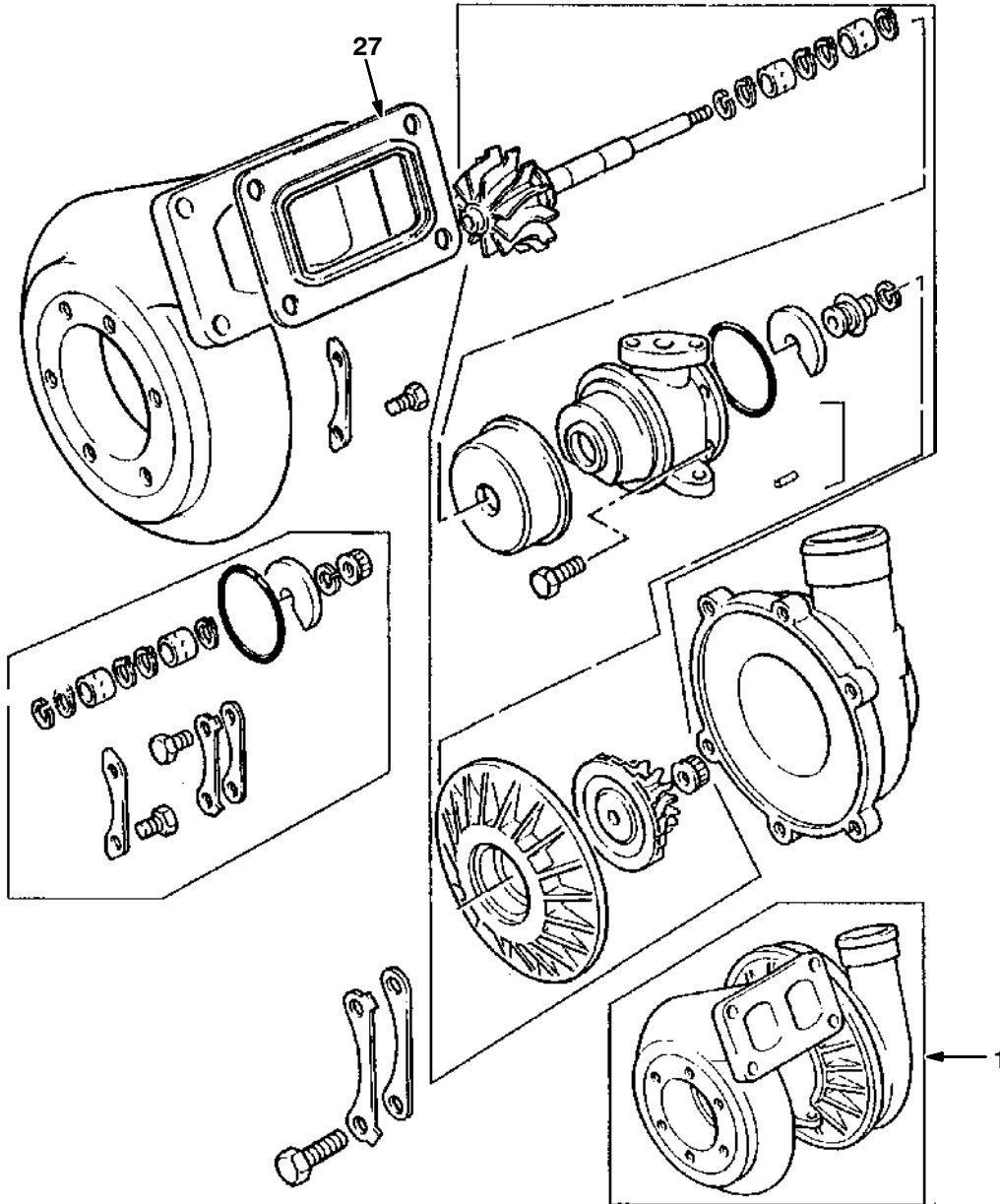


Fig. 26 - Lubricating Oil Filler and Breather Group

Ref.	Tennant Part No.	Perkins Part Number	Description	Qty.
1	764913	U3781F345	CYL. HEAD COVER	1
3	766616	U3688X011	GASKET	1
8	764965	32416118	PLUG	1
9	764968	3274P003	NUT	1
10	369003	0920009	WASHER	3
11	369211	33817135	SEAL	3
12	764726	33872525	PIPE, BREATHER	3
13	764727	31754119	SPRING	1
14	763879	2481877	HOSE CLIP	1
15	764728	36241123	BRACKET	1
31	764730	3617A001	PLATE	1
32	765001	3683H006	JOINT	1
33	764409	2314H003	SCREW	2

TURBO ENGINE BREAKDOWN

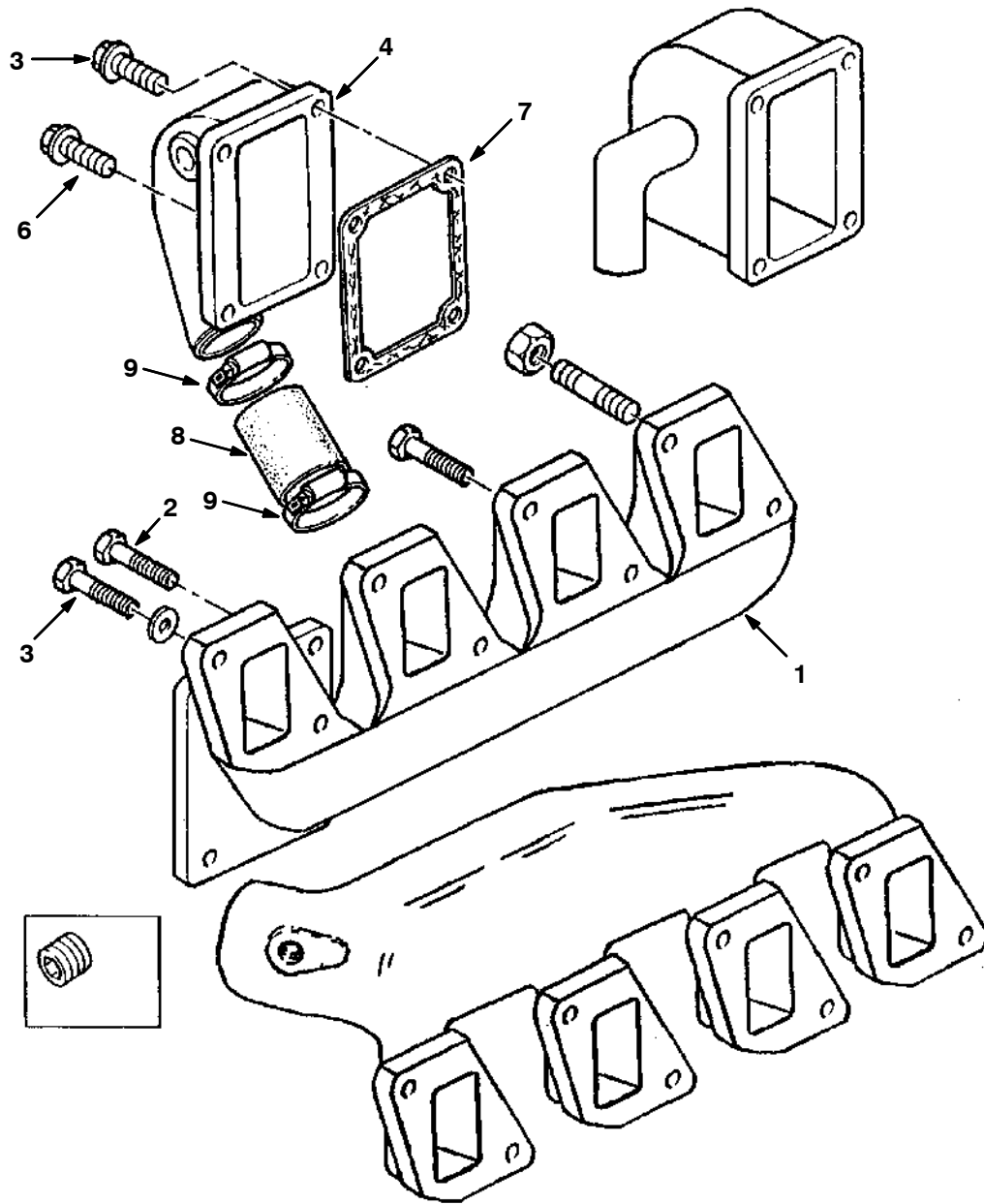
Fig. 27 - Turbocharger Group



352483

Ref.	Tennant Part No.	Perkins Part Number	Description	Qty.
1	764904	U2674A093	TURBOCHARGER	1
27	765010	3688A008	JOINT	1

Fig. 28 - Turbochargers Manifolds Group



352487

Ref.	Tennant Part No.	Perkins Part Number	Description	Qty.
1	764912	U3777R012	INDUCT. MANIFOLD	1
2	373194	2314H039	SCREW	4
3	764414	2314H017	SCREW	6
4	764911	U3766P361	ELBOW	1
6	764410	2314H004	SCREW	2
7	765004	3684N505	JOINT	1
8	764985	3383E009	HOSE	1
9	764773	21825199	CLIP	2

TURBO ENGINE BREAKDOWN

Fig. 29 - Turbochargers, Manifolds, and Air Charge Cooler Group

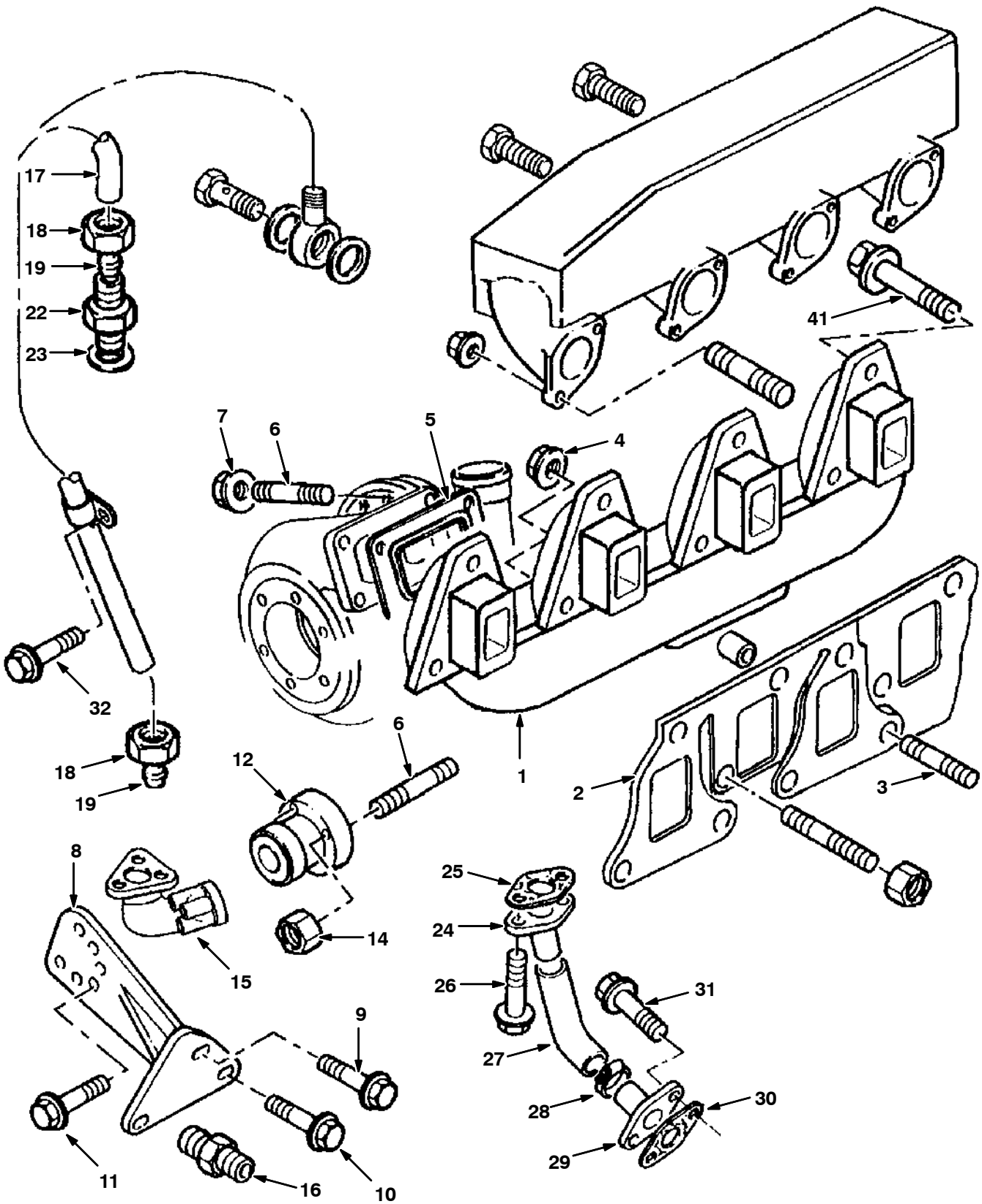
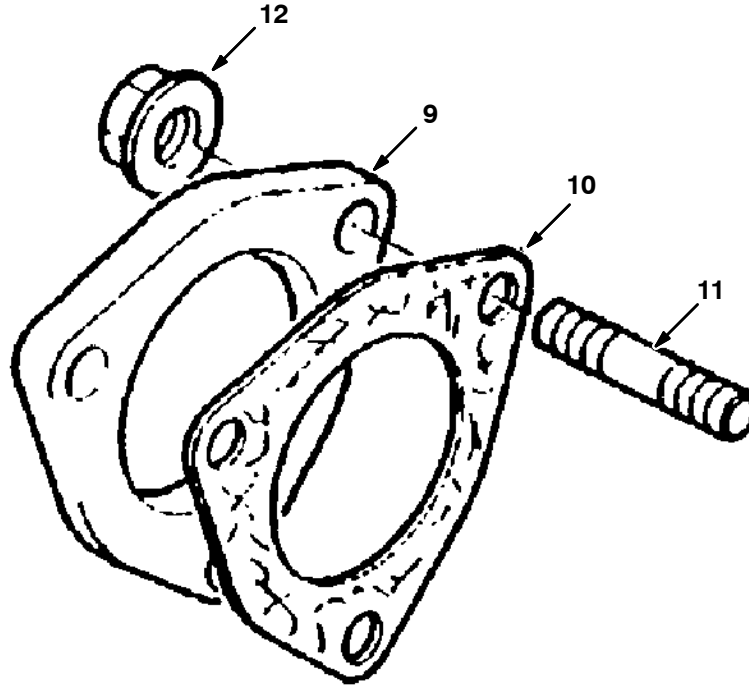


Fig. 29 - Turbochargers, Manifolds, and Air Charge Cooler Group

Ref.	Tennant Part No.	Perkins Part Number	Description	Qty.
1	765018	3778E052	EXHAUST MANIFOLD	1
2	765013	3688C035	JOINT	2
3	373191	3275R003	STUD	4
4	373192	3331C004	NUT	4
5	765010	3688A008	JOINT	1
6	764967	3254K013	STUD	7
7	764423	2318A634	NUT	4
8	765021	3823P006	BRACKET	1
9	764409	2314H003	SCREW	1
10	764415	2314J002	SCREW	2
11	764416	2314J003	SCREW	3
12	764979	3374E021	ADAPTOR	1
14	369024	2318A633	NUT	3
15	765015	3766E005	ELBOW	1
16	764982	33555138	CONNECITON	1
17	765027	4123T014	PIPE, OIL	1
18	764977	33225418	NUT	2
19	764839	0566004	OLIVE	2
22	764980	3353H004	ADAPTOR	1
23	764937	2411B122	WASHER	1
24	764989	3571C029	PIPE, OIL	1
25	765000	3683A004	JOINT	1
26	764933	2314F004	SCREW	2
27	764984	3383A006	HOSE	1
28	763879	2481877	HOSE CLIP	1
29	764990	3571C031	PIPE, OIL	1
30	764860	36832144	JOINT	1
31	764794	2314H033	SCREW	2
32	764408	2314H002	SCREW	1
41	373193	3218J015	SCREW	8

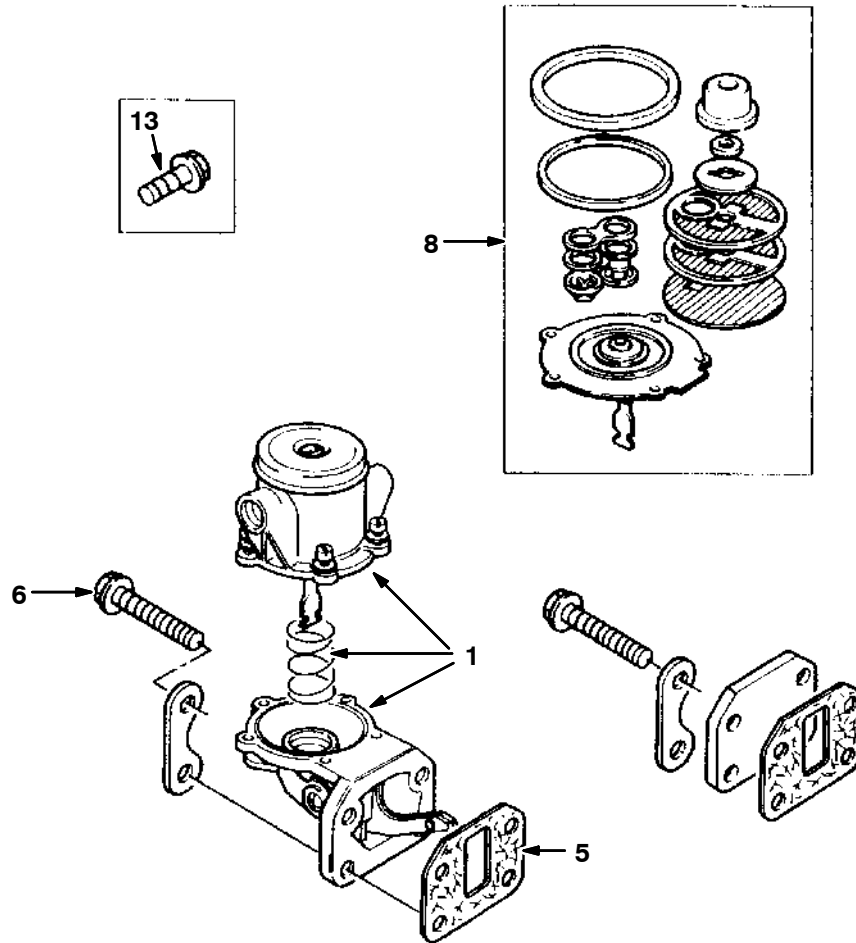
Fig. 30 - Exhaust Flange Group



352489

Ref.	Tennant Part No.	Perkins Part Number	Description	Qty.
9	764789	3623E006	FLANGE	1
10	765012	3688C018	JOINT	1
11	764407	2313C077	STUD	3
12	764423	2318A634	NUT	3

Fig. 31 - Fuel Pump Group



352426

Ref.	Tennant Part No.	Perkins Part Number	Description	Qty.
1	763916	ULPK0005	LIFT PUMP	1
5	21796	36851123	JOINT	1
6	764794	2314H033	SCREW	4
8	763917	ULPR0001	KIT, REPAIR	1
13	764409	2314H003	SCREW	1

TURBO ENGINE BREAKDOWN

Fig. 32 - Low Pressure Fuel Group

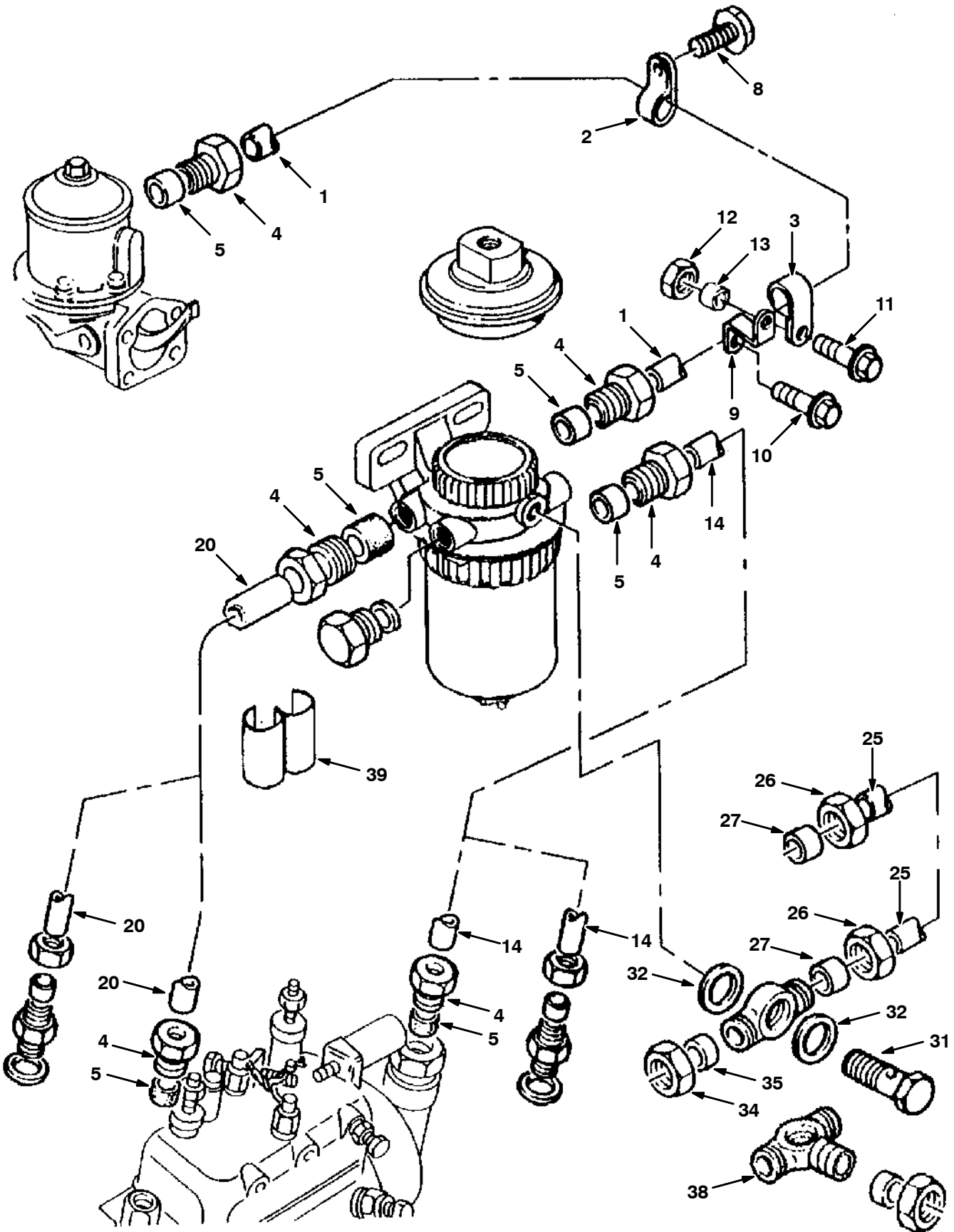
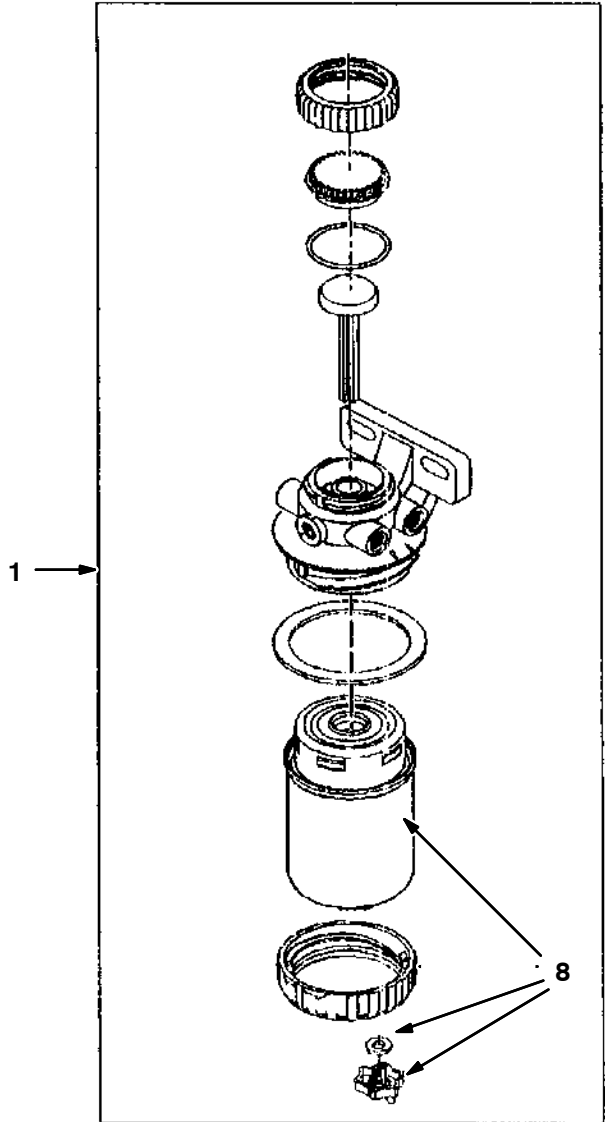


Fig. 32 - Low Pressure Fuel Group

Ref.	Tennant Part No.	Perkins Part Number	Description	Qty.
1	765029	4125T012	PIPE, FUEL	1
2	764995	3656P008	CLIP	1
3	764994	3656P004	CLIP	1
4	30063	33532129	NUT	6
5	32590	33811114	OLIVE	6
8	764409	2314H003	SCREW	1
9	764811	3653R002	BRACKET	1
10	764812	2314F002	SCREW	1
11	764813	2314F006	SCREW	1
12	764814	2318A602	NUT	1
13	763921	0920496	WASHER	1
14	765026	4122M014	PIPE, FUEL	1
20	765025	4122M013	PIPE, FUEL	1
25	764987	3432A025	PIPE, FUEL	1
26	764432	33225412	UNION NUT	2
27	764433	33811112	OLIVE	2
31	764963	3218R013	BOLT	1
32	764802	0920146	WASHER	2
34	764803	0576112	NUT	1
35	764804	0566003	OLIVE	1
38	764960	3172X004	CONNECTION	1
39	765063	2481D301	CLIP	1

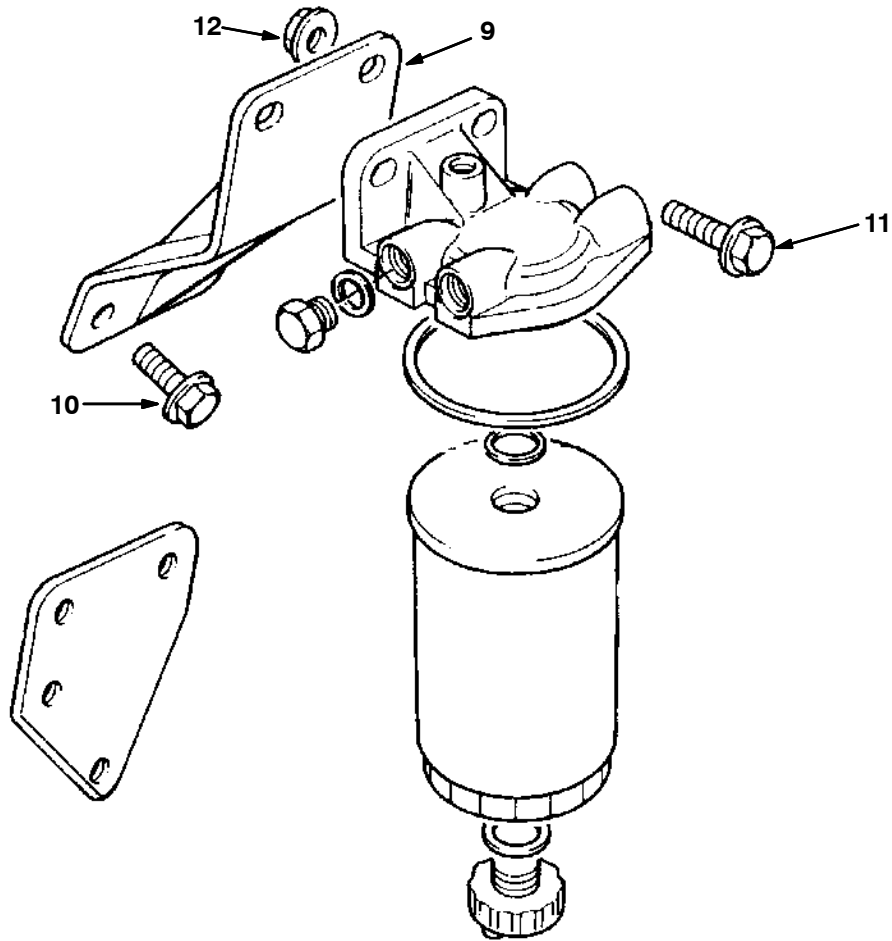
Fig. 33 - Fuel Filter Group



352493

	Ref.	Tennant Part No.	Perkins Part Number	Description	Qty.
▽	1	764948	2656F815	FILTER	1
▲	8	764949	26560143	ELEMENT	1

Fig. 34 - Fuel Filter Mount Group

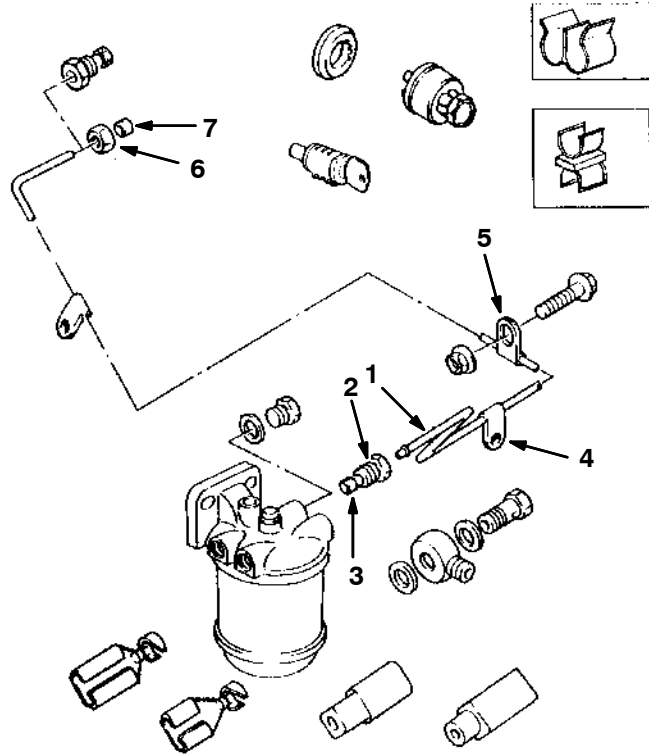


352428

Ref.	Tennant Part No.	Perkins Part Number	Description	Qty.
9	765022	3831E011	BRACKET	1
10	764415	2314J002	SCREW	2
11	764417	2314J004	SCREW	2
12	764422	2318A604	NUT	2

TURBO ENGINE BREAKDOWN

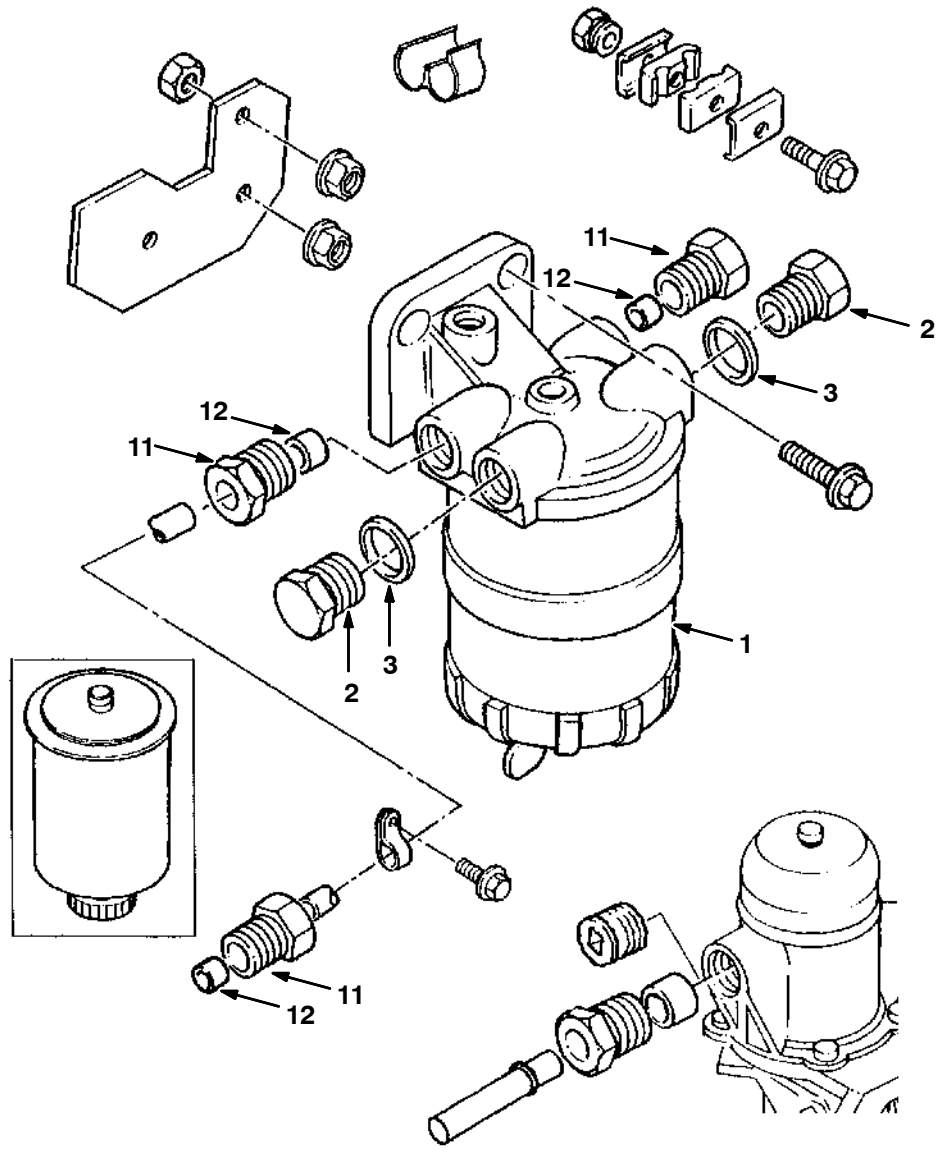
Fig. 35 - Fuel Line Group



352440

Ref.	Tennant Part No.	Perkins Part Number	Description	Qty.
1	765028	4124E128	PIPE, FUEL	1
2	764822	33532148	NUT	1
3	764823	3381A002	OLIVE	1
4	764996	36568132	CLIP	1
5	764997	36568133	CLIP	1
6	764432	33225412	UNION NUT	1
7	764433	33811112	OLIVE	1

Fig. 36 - Fuel Pre-Lift Pump Group

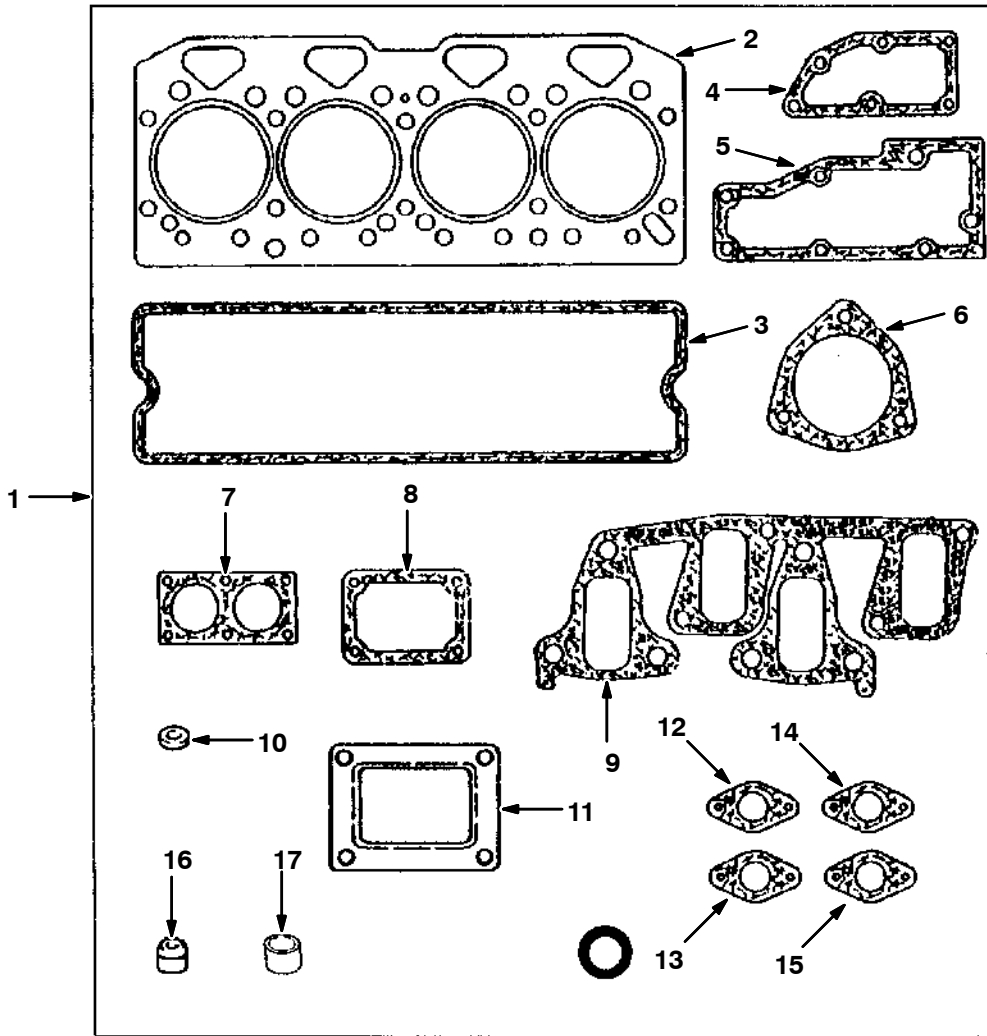


352498

Ref.	Tennant Part No.	Perkins Part Number	Description	Qty.
1	764947	2656F810	FILTER	1
32436 2	764840	0650204	PLUG	2
32435 3	764841	0920154	WASHER	2
11	30063	33532129	NUT	3
12	764839	0566004	OLIVE	3
	764950	26560145	ELEMENT	1

TURBO ENGINE BREAKDOWN

Fig. 37 - Top Gaskets Group



352500

Ref.	Tennant Part No.	Perkins Part Number	Description	Qty.
▽ 1	764917	U5LT0198	GASKET KIT	1
▲ 2	764998	3681E031	HEAD GASKET	1
▲ 3	765014	3688X005	JOINT	1
▲ 4	764850	3687M018	JOINT	1
▲ 5	765005	3685A012	JOINT	1
▲ 6	764944	2638C026	JOINT	1
▲ 7	764853	3684A004	JOINT	1
▲ 8	764856	3684N503	JOINT	1
▲ 9	765013	3688C035	JOINT	2
▲ 10	369259	L311FF02	WASHER	4
▲ 11	765009	3688A007	JOINT	1
▲ 12	765000	3683A004	JOINT	1
▲ 13	764860	36832144	JOINT	1
▲ 14	765011	3688C015	JOINT	1
▲ 15	765002	36833155	JOINT	1
▲ 16	764939	2418M504	SEAL	8
▲ 17	764434	33811113	OLIVE	1

SECTION 7

CONTENTS		PAGE
PART NUMBER TO PAGE NUMBER CROSS REFERENCE LIST		7-2
PART DESCRIPTION TO PAGE NUMBER CROSS REFERENCE LIST		7-17

CROSS REFERENCE

PART NUMBER TO PAGE NUMBER CROSS REFERENCE LIST

Part Number	Page Number	Part Number	Page Number	Part Number	Page Number
AL39762	6-3	ULPR0001	5-41, 6-47	06973	3-66
L311FF02	5-31, 6-35, 6-54	ZZ50265	6-3, 6-5	06975	2-41, 2-43
U2418M505	5-48, 6-9	ZZ50280	5-3	06992	3-3
U2418M506	6-9	ZZ80238	6-9	0720579	5-9, 6-11
U2418M507	5-7, 5-48	ZZ80255	5-7	07783	2-41, 2-43
U2643U228	6-35	ZZ90145	5-5, 6-3, 6-7	07799	2-17
U2644G701	5-31	ZZ90170	6-3, 6-7	08166	3-41
U2645A058	5-31	ZZ90171	6-11	08167	3-66
U2645L021	6-35	ZZ90172	5-9, 6-11	08280	4-23
U2674A093	6-42	ZZ90184	5-9	08708	2-17, 2-27, 3-61
U3141D171	5-11	ZZ90188	5-5	08709	2-27, 2-37, 3-3, 3-5,
U3142D061	5-7	ZZ90189	5-5		4-19, 4-23
U3142H041	5-7	ZZ90190	5-5	08711	3-64
U3142W004	6-9	ZZ90191	5-5	08712	2-37
U3174P412	5-7	00500-15	4-10, 4-11	08713	2-37, 2-39
U3218J303	5-7	0050345	5-11, 6-13	09011	2-37, 2-39
U3218J606	5-7	0096803	5-15, 6-17	09029	2-39
U3218J607	5-7	0170151	5-9, 6-11	0920009	5-37, 6-41
U3244A009	5-7	0180066	6-25	0920146	6-49
U3314A101	5-7	0201047	6-33	0920154	5-44, 5-47, 6-53
U3314A102	5-7	02506-6	3-50	0920155	5-26, 6-28
U3318A705	5-7	02603	4-15	0920460	5-35, 6-39
U3623H024	6-25	02643	4-17	0920469	5-3
U3623T012	5-21, 6-23	02644	4-17	0920496	5-43, 6-49
U3648C008	5-28, 6-30	02645	4-15	09294	3-3, 3-5
U3681E039	5-7, 5-48	02646	4-13, 4-15, 4-17	09718	2-9
U3681V012	5-38, 5-48	02647	4-13, 4-15, 4-17	09901	2-160
U3685R009	5-23, 5-48, 6-25	02850	2-125	09905	2-160
U3688X011	5-37, 6-41	02995	2-39	10136	2-35
U3716C161	5-11, 6-13	03292B	3-47, 3-48	10632-11	3-57, 3-58, 3-61
U3766P361	6-43	0330807	5-35, 6-39	10917	3-61
U3777R012	6-43	0350009	5-3, 6-5	10962	2-117
U3777R092	5-38	0350025	5-14, 6-16	11399	2-157
U3777R111	5-38	0490786	5-47	12271	2-115, 2-159
U3778E111	5-39	0500012	5-5, 5-11, 6-7, 6-13	12459	3-61
U3781F345	6-41	0566002	6-33	13902	4-37, 4-41, 4-45, 4-49,
U4142A404	6-13	0566003	5-43, 5-48, 6-49		4-53, 4-55, 4-59
U4142X125	5-37	0566004	5-44, 5-47, 6-45, 6-53	13904	4-5, 4-37, 4-41, 4-45,
U4181A045	5-5	0576052	5-9, 6-11		4-49, 4-59
U4181A046	5-5	0576111	6-33	13907	4-5, 4-41, 4-49
U4181A047	5-5	0576112	5-43, 6-49	13959	2-15
U5LB0322	5-49	06418	2-11, 2-13	14432	2-25, 2-27, 2-33
U5LH0003	6-3, 6-7	0650203	5-7, 6-9	15678	2-37
U5LL0024	6-3, 6-7	0650204	5-44, 5-47, 6-53	16695	4-10, 4-11
U5LP0058	5-5	0650507	5-9, 6-11	16930	2-38
U5LP0058B	5-5	0650582	6-5	16931	2-7, 2-9, 2-37
U5LP0058D	5-5	0650588	5-3, 6-5, 6-37	17188	2-31, 2-33, 3-17, 3-23
U5LT0198	6-54	0650594	5-3, 6-5	17200	2-160
U5LT1002	5-48	0650710	5-3, 5-7, 6-5, 6-9	17521	2-157, 3-27
U5ME0006	5-5, 6-3, 6-7	0650713	5-3, 6-5	18900009	5-21
U5ME0006A	5-5, 6-7	06942	3-61	19065	2-45
U5ME0006B	5-5, 6-7	06943	2-7, 2-9	19066	3-61
U5ME0006C	5-5, 6-7	06944	2-27	19895	2-7
U5MH0056	5-23, 6-25	06950	2-17	2116053	5-11, 6-13
U5MW0164	5-23, 6-25	06960	4-19	2116081	6-9
U7LW0147	6-25	06961	3-3	2116A022	5-3, 6-5
U7LW0161	5-23	06969	3-64, 4-19, 4-23, 4-29	21195	2-11, 2-13
ULPK0005	5-41, 6-47	06970	2-39	2131A010	5-21, 6-23

CROSS REFERENCE

Part Number	Page Number	Part Number	Page Number	Part Number	Page Number
2135A001	5-5	2314H003	5-3, 5-11, 5-21, 5-25, 5-31, 5-35, 5-37, 5-43, 6-5, 6-13, 6-23, 6-27, 6-33, 6-39, 6-41, 6-45, 6-47, 6-49	2415B167	5-26, 6-28
21796	5-41, 5-49, 6-47	2314H004	5-11, 5-13, 5-35, 5-38, 6-13, 6-15, 6-39, 6-43	2415H201	5-13, 6-15
2182110	5-3	2314H005	5-11, 5-13, 5-21, 6-13, 6-15, 6-23	2418F436	5-11, 6-13
21825198	5-23, 6-25	2314H007	5-35, 6-39	2418F475	5-3, 6-3, 6-5
21825199	6-43	2314H008	5-23, 6-25	2418M504	6-54
21906	4-37, 4-39, 4-45, 4-49, 4-51	2314H012	5-23	2418M505	5-7
21916	4-37, 4-39, 4-41, 4-43, 4-45, 4-47, 4-49, 4-51	2314H013	5-11, 5-21, 6-13, 6-23	2431131	5-38
21919	4-37	2314H017	5-23, 5-38, 6-23, 6-25, 6-43	2431154	5-23, 5-26, 6-25
21920	4-59	2314H018	5-21	2431A054	5-7, 6-9
21951	4-13, 4-15	2314H031	5-35, 6-39	2481877	5-37, 6-37, 6-41, 6-45
21953	4-13, 4-15	2314H033	5-41, 6-25, 6-45, 6-47	2481C002	6-33
222290	2-117, 3-41	2314H034	5-11, 5-23	2481D301	6-49
22297	2-25, 2-27, 2-157	2314H039	6-43	2485A204	5-3, 6-5
2233022	5-9, 6-11	2314H102	5-14, 6-16	2485C025	5-23, 6-25
22670	4-53, 4-55	2314J001	5-35, 6-37, 6-39	2485C517	5-19, 6-21
22678	4-45	2314J002	5-31, 6-33, 6-45, 6-51	2486A206	6-37
22679	4-55	2314J003	5-28, 6-30, 6-45	2486A209	6-37
22680	4-37, 4-41	2314J004	5-26, 6-28, 6-51	2486A211	6-37
22681	4-53, 4-55, 4-57, 4-59	2314J006	5-21, 6-23	2487204	5-14, 6-16
22682	4-35, 4-45	2314J007	5-21	2487208	5-29, 6-31
22685	4-37, 4-41	2314J008	5-13, 6-15, 6-23	2487402	5-14, 6-16
22687	4-37, 4-41, 4-49	2314J010	5-11, 6-13	2487A020	5-35, 6-39
22688	4-37, 4-41	2314J011	5-13, 6-15	2487Y005	5-14, 6-16
22689	4-37, 4-41, 4-45, 4-49	2314J015	5-18, 5-21, 6-20, 6-23	24976	2-31, 2-33
22690	4-37, 4-41	2314J033	5-3, 6-5, 6-37	2511437	5-13, 6-15
22691	4-53, 4-55	2314J034	5-33	2521A207	5-26, 6-28
22692	4-47	2314J040	6-37	2521A415	5-26, 6-28
22693	4-53, 4-55	2314J204	5-14, 6-16	25312	3-52
22694	4-53, 4-55, 4-57	2314J603	5-14, 6-16	2538753	5-3, 6-5
22696	4-53, 4-55	2314J606	5-11, 6-13	25831	3-61
22697	4-53, 4-55	2314J607	5-9, 6-11	2614B659	5-18, 6-20
22698	4-53, 4-55, 4-57	2314K159	5-21, 5-23, 6-23, 6-37	2638C026	6-54
22699	4-47, 4-53, 4-55	2314K161	5-23, 6-25	26420318	5-31, 5-49
2311D039	5-35, 6-39	2314K166	5-23	2645A311	5-31
2311D559	5-26, 6-28	2316A117	5-38	2645K609	5-31
2311D578	5-26, 6-28	2316A317	5-38	2645L306	6-35
2313C077	5-16, 6-18, 6-46	2318A602	5-43, 6-49	2645L617	6-35
2313C078	5-40	2318A603	5-31, 5-35, 6-13, 6-25, 6-33, 6-35, 6-39	2646E017	5-31
2313F068	6-25	2318A604	5-16, 6-18, 6-51	2646E019	5-31
2313H229	5-19, 6-21	2318A605	5-9, 5-29, 6-11, 6-31	2648A116	5-31
2313H331	5-9, 6-11	2318A633	6-45	2654403	5-33
2313M058	6-13	2318A634	5-40, 6-45, 6-46	2654407	6-37
2313M059	6-35	2318A734	5-39	26560016	5-47
2313M101	5-29, 6-31	2318D208	5-19, 6-21	26560075	5-47
2314C049	5-26, 6-28	2318D240	5-21, 6-23	26560143	6-50
2314F002	5-43, 6-49	2318D802	5-35, 6-39	26560145	5-44, 6-53
2314F003	5-11, 6-13	2411157	5-7, 6-9	26560614	5-47
2314F004	6-45	2411B122	6-45	2656086	5-47
2314F006	5-43, 6-49	2415715	5-35, 6-39	26565	2-127
2314F016	5-35, 6-39	2415731	5-37	2656F810	5-44, 6-53
2314F907	5-13, 6-15	2415928	5-43	2656F815	6-50
2314H002	5-7, 5-23, 5-31, 5-35, 6-9, 6-25, 6-35, 6-39, 6-45	2415A090	5-23, 6-25	2666108	5-27, 6-29
				2721130	5-13, 6-15
				2721332	5-5, 6-7
				2721A537	5-26, 6-28
				2722A206	5-13, 6-15
				2755A009	5-31
				27928	2-125
				27964	2-125
				28730179	5-31

CROSS REFERENCE

Part Number	Page Number	Part Number	Page Number	Part Number	Page Number
28730193	5-17, 6-19	32186137	5-24, 6-26	3318A711	6-9
28730201	5-17, 6-19	32186142	6-7	3318A721	6-9
28730209	5-17, 6-19	3218J015	6-45	3318H105	5-21, 6-23
28730238	5-17, 6-19	3218R005	5-31, 6-35	3321A003	5-11, 6-13
28730267	5-17, 6-19	3218R013	5-43, 6-49	33221328	5-5
2873B071	5-16, 5-17, 6-18, 6-19	32416118	5-3, 5-37, 6-5, 6-41	33225412	5-32, 5-43, 5-45, 6-49, 6-52
28835	4-10, 4-11	32416119	5-3, 6-5	33225418	6-45
29990001	5-7, 6-5	32417134	5-3, 6-5	33246123	6-37
30063	5-43, 5-44, 5-47, 6-49, 6-53	32417145	5-3	3331C004	6-45
310580	2-35	32418122	5-3, 5-7, 6-5	33342	2-19, 3-9, 3-11, 3-19
3112E011	5-5, 6-7	32418124	6-5	33426161	5-11, 6-13
31134165	5-3, 6-5	3241H009	5-11, 6-13	3342N011	5-7, 6-9
31134166	5-9, 6-11	3241N001	5-24, 6-26	3343F012	5-13, 6-15
31137312	5-5, 6-7	3246A001	6-7	3343M307	5-13, 6-15
31137322	5-5, 6-7	32483	2-27	3346C006	6-37
31137551	5-5, 6-3, 6-7	32486	3-64, 3-66	33532129	5-43, 5-44, 5-47, 6-49, 6-53
31137561	5-5, 6-3, 6-7	32490	2-7, 2-9	33532148	5-45, 6-52
3115A044	6-23	32491	2-27	3353D004	5-32
3115C111	5-18, 6-20	32492	2-39, 3-3	3353D005	5-35, 6-39
3115T051	5-24, 6-26	32493	2-41, 2-43	3353H004	6-45
31162121	5-15, 6-17	32515	2-125	33552414	5-46, 6-37
3117C061	5-5, 6-7	3254K013	6-45	33555138	6-45
3117C116	5-26, 6-28	32590	5-43, 5-48, 6-49	3355V002	5-31, 6-35
3117L023	5-11, 6-13	32712111	5-13, 6-15	33691	3-27
3117L192	6-35	32712726	5-13, 6-15	33692	3-27
3117L212	5-31	3271A003	5-3, 6-5	3374E021	6-45
31357	4-10	3271H004	5-13, 6-15	33811112	5-32, 5-43, 5-45, 5-48, 6-49, 6-52
3135X063	6-3, 6-5	3274P003	5-37, 6-41	33811113	5-9, 6-11, 6-54
3141D071	6-13	3275R003	6-45	33811114	5-43, 5-48, 6-49
3142D031	6-9	32762145	5-5	33812	2-155
3142D041	6-9	32808	2-25	33812116	5-35, 6-39
3142U031	5-9, 6-11	32815	2-27, 3-43	33817135	5-37, 6-41
3142W004	5-7	3281M002	6-35	3381A002	5-32, 5-45, 6-52
31434307	5-9, 6-11	32822	2-41, 2-43, 3-56	3381J005	5-23, 6-25
3162A001	5-31	32822	2-41, 2-43, 3-56	3383A001	6-37
31718104	6-35	32985	3-64	3383A006	6-45
31718105	6-35	32988	3-3	3383E009	6-43
3172X004	5-43, 6-49	330430	3-67	3386A004	6-33
31743108	5-9, 6-11	330431	3-67	33872525	5-37, 6-41
31744123	5-9, 6-11	330432	3-67	34172	4-10, 4-11
3174A004	5-3, 6-5	330433	3-67	3432A025	6-49
3174L003	5-13, 6-15	330435	3-67	3435P019	5-43
3174T003	6-9	330492	3-67	34392	2-11, 2-15, 2-17
31754119	6-41	330493	3-67	34821121	6-37
3175P003	5-37	330710	3-67	3521H065	5-31
3178C126	5-35, 6-39	330715	3-67	3521H066	5-31
31922	2-117	330728	3-67	3521H067	5-31
3211P002	5-38	33117127	5-15, 6-17	3521H068	5-31
3211P004	5-31	33117426	5-9, 6-11	3558X051	5-31, 6-35
3211P018	5-39	3311A001	5-31, 5-48, 6-35	35706	2-119
32129	2-37	3311K012	5-9, 6-11	3571C029	6-45
3212T006	5-3	3311R003	5-3, 6-5	3571C031	6-45
3212V002	5-3, 6-5	33123125	5-13, 6-15	3573M009	6-37
32161114	5-3, 6-5	3312K026	5-21, 6-23	3575A018	5-35, 6-39
32166219	6-9	33137409	5-13, 6-15	360074	2-19
32166221	6-9	3313E021	5-7	3617A001	5-37, 6-41
32166222	6-9	33142111	5-3, 6-5	36212132	5-14, 6-16
32166329	5-3, 6-5	3314A051	6-9		
32168212	5-3	3314A061	6-9		
		3314A103	5-3		
		33153135	5-11, 6-13		

CROSS REFERENCE

Part Number	Page Number	Part Number	Page Number	Part Number	Page Number
3623E006	6-46	369024	6-45	39277	2-7, 2-9, 2-37
3623H008	5-3, 6-5, 6-37	369211	5-37, 6-41	39283	3-3
3623H024	5-23	369259	5-31, 6-35, 6-54	39284	4-27
36241123	5-37, 6-41	369704	2-5	39309	4-29
3627P023	5-35, 6-39	370702	5-35, 6-39	39313	2-39
364292	2-125	370806	5-23	39322	3-27
3644Y004	5-31, 6-33	3713M042	5-14, 6-16	39663	3-41
364614	3-47	371748	2-147	398293	2-41, 2-43
364941	2-125	3717Y002	5-35, 6-39	398294	2-49
364942	2-125	373191	6-45	39890	2-7, 2-9
364943	2-125	373192	6-45	40143	3-27
365183	2-125	373193	6-45	40144-21	4-33
3653R002	5-43, 6-49	373194	6-43	40144-22	4-33
3654W007	5-28, 6-30	373212	4-60	40144-4	3-27, 4-33
36565517	6-39	373213	4-60	40144-6	3-27, 4-33
36568132	5-45, 6-52	373342	4-59	40145	2-157, 3-25
36568133	6-52	373360	4-57, 4-59	40758	2-129
3656M003	6-37	373361	4-57, 4-59	4111A013	5-11, 6-13
3656P004	5-43, 6-49	373416	4-59	4111A021	5-13, 6-15
3656P008	5-43, 6-49	373417	4-41	4111D095	5-15, 6-17
3656P009	5-35	373418	4-41	4113H068	5-26, 6-28
3656X014	5-45	373561	4-60	4113H074	5-18, 6-20
367407	2-77	373562	4-60	4115R005	5-9, 6-11
367679	2-45	373563	4-60	4115R006	5-9, 6-11
367946	2-45, 3-58	373564	4-60	41178	2-159
3681E031	6-9, 6-54	373565	4-60	41186	2-37
3681E033	6-9	373566	4-60	41187	2-38
3681K005	5-35, 5-49, 6-39	3735A011	5-35, 6-39	4121C057	5-32
3681P009	5-11, 5-49, 6-13	3748C011	5-13, 6-15	4122M012	5-43
3681P038	5-11, 5-49, 6-13	3748W202	5-19	4122M013	6-49
3681T012	5-3, 5-49, 6-5	3748W223	5-19, 6-21	4122M014	6-49
3681V502	5-40	37555	4-10, 4-11	4122T008	5-43
3681X001	5-38	37573	4-33	4123T014	6-45
3681X002	5-38	376059	2-13	4124E128	6-52
36832137	5-35, 5-49, 6-39	3763W011	5-13, 6-15	4124E177	5-45
36832144	6-45, 6-54	3766E005	6-45	4125T011	5-43
36833155	6-54	3766P411	5-25, 6-27	4125T012	6-49
3683A004	6-45, 6-54	3766T073	5-38	4126A012	6-33
3683H006	5-37, 5-49, 6-41	3767A011	5-40, 5-48	4126K149	6-37
36843154	5-14, 6-16	3771K214	6-25	4126X091	5-35, 6-39
3684A004	6-54	3771K251	5-23	4126X124	5-3, 6-5
3684N017	5-25, 5-48, 6-27	3773K003	5-33	4132F051	5-13
3684N503	6-54	3773K004	6-37	4132F056	6-15
3684N505	6-43	3773T101	6-37	41346	3-41, 4-19, 4-23, 4-27
36851123	5-41, 5-49, 6-47	3775E012	5-9, 6-11	4138A017	5-3, 6-5
3685A012	6-54	37778	4-33	4138A036	5-13
3686D007	5-23, 5-48, 6-25	3778E052	6-45	4138A037	6-15
3686T006	6-37	3781N042	5-11, 6-13	4142A404	5-11
3687M018	6-54	3781N043	5-11, 6-13	4142V066	5-3, 6-3, 6-5
3687W008	5-3, 5-33, 5-49, 6-5, 6-37	3818X901	5-9, 6-11	4142X099	5-37
3687Y016	5-23, 5-49, 6-25	3822P011	6-23	41430	2-39
3688A007	6-54	3823D024	5-35, 6-39	4173A101	6-33
3688A008	6-42, 6-45	3823P006	6-45	4181A033	6-3, 6-7
3688C015	6-54	3824A021	5-35, 6-39	43844	2-25, 2-157
3688C018	5-48, 6-46	38315	4-13, 4-15, 4-17	45628	4-10, 4-11
3688C035	6-45, 6-54	3831E011	6-51	45779	2-5
3688X005	6-54	38321	3-27, 4-33	45780	2-5
369000	6-25	38490	4-13, 4-15, 4-17	46236	2-117
369003	5-37, 6-41	38873	4-10	46482	2-155
		39236	2-109, 2-111	47167	2-27

CROSS REFERENCE

Part Number	Page Number	Part Number	Page Number	Part Number	Page Number
47801	2-7, 2-9, 2-45, 2-49, 2-51, 2-129, 3-3, 3-5, 3-7	74189	4-9	760673	2-51
48183	2-9	74191	4-10, 4-11	760679	2-51
49247	3-61	74218	4-9	760682	2-45, 2-49, 3-5
51305	2-27	75428	3-39	760691	2-51
51417	4-13, 4-15, 4-17	75430	2-5	760695	2-51, 3-5
51538	2-5	75689	2-31	760697	2-39
52770-5	2-2, 2-23, 5-33	760073	3-51	760721	2-39
54333	2-157, 3-25	760078	3-48	760726	3-47
55619	2-17	760098	2-2	760727	3-47
55740	2-17	760099	2-2	760729	3-47
57048	2-11, 2-13	760100	2-45	760740	2-41, 2-43
57145	2-157	760105	3-49	760749	2-2, 2-39
57370	4-13, 4-15, 4-17	760107	2-3, 3-64	760753	2-43
57373	4-13, 4-15, 4-17	760143	3-56	760754	2-41
57374	4-13, 4-15, 4-17	760205	2-7, 2-9	760755	2-41, 2-43
57375	4-13, 4-15, 4-17	760208	2-7, 2-9	760756	2-41, 2-43
57676	2-127	760357	2-5	760757	2-41
57702	2-5, 2-157, 3-9, 3-11, 3-19, 3-43	760395	2-5	760778	2-41, 2-43
57804	2-117	760447	2-49	760779	2-41
58366	2-19	760500	2-45	760785	2-37
58595	2-159	760503	2-45	760786	2-41, 2-43
58596	4-9	760504	2-45	760794	2-37
59156	2-39	760507	3-43	760798	2-37
59965	2-49	760509	3-43, 3-45	760824	2-51
60428	2-5, 2-7, 2-9	760511	3-43	760828	2-43
60933	2-31	760522	2-45	760833	2-41, 2-43
61288	2-145	760523	2-45	760834	2-41, 2-43
61923	2-45	760529	2-47	760837	2-2, 2-37
63244-1	2-157, 3-25	760532	2-47, 2-159	760838	2-37
63810	2-121, 3-41	760535	2-47	760839	2-41, 2-43
65235	4-9	760536	2-47	760851	2-37
65870-5	2-2	760537	2-47	760875	2-37
68445	2-109, 2-111	760538	2-47	760882	2-2, 2-37
68986	2-2, 2-23, 6-37	760540	2-47	760883	2-37
69234	2-27, 2-35	760543	2-45	760884	2-37
70006	2-145	760545	2-47	760891	2-39
70157	2-15, 2-17, 3-17, 3-23	760548	2-45	760896	2-37
72970	2-115	760550	2-47	760897	2-2, 2-37
73219	2-125	760552	2-159	760901	2-39
74092	4-11	760554	2-51	760905	2-39
74093	4-10, 4-11	760560	2-53	760906	2-37
74094	4-10, 4-11	760562	2-53	760914	2-2, 2-39
74098	4-5, 4-13, 4-15, 4-17, 4-37, 4-41, 4-49, 4-53, 4-55, 4-59	760563	2-53	760915	2-2, 2-39
74099	4-11, 4-41, 4-49, 4-51	760565	2-27, 2-45	760916	2-21
74109	4-9	760566	2-53	760919	2-39
74110	4-9	760577	2-45	760921	2-21
74111	4-9	760586	2-45	760925	2-21
74119	4-13	760598	2-45	760939	2-39
74120	4-15	760599	3-25	760980	2-160
74174	4-9	760629	3-43	760983	2-160
74181	4-9	760640	3-43	760984	2-160
74182	4-9	760647	2-45	760991	3-43
74186	4-9	760649	3-43	761003	2-13
74187	4-9	760653	3-47	761004	2-11
74188	4-9	760660	2-51, 3-25, 3-47, 3-48	761005	2-11, 2-13
		760661	3-47	761010	2-11, 2-13
		760663	2-45	761011	2-11, 2-13
		760665	3-45	761012	2-11, 2-13
		760668	2-51	761013	2-11, 2-13
		760672	3-25, 3-54, 3-55	761014	2-11, 2-13

CROSS REFERENCE

Part Number	Page Number	Part Number	Page Number	Part Number	Page Number
761017	2-11, 2-13	761283	2-38	761610	4-19, 4-23
761018	2-11, 2-13	761284	2-39	761611	4-19, 4-23, 4-27
761019	2-11, 2-13	761286	2-39	761613	4-21, 4-23, 4-25
761020	2-11, 2-13	761289	2-39	761614	4-27
761022	2-13	761292	2-23	761615	4-23
761025	2-11, 2-13, 4-21	761293	2-23	761616	4-23
761035	2-25	761296	2-37	761618	4-31
761036	2-25	761305	3-9, 3-11, 3-19	761623	4-31
761037	2-11, 2-15, 2-17	761307	3-13, 3-21	761624	4-31
761043	2-5	761311	3-9, 3-11, 3-19	761625	4-31
761044	2-5	761312	3-13, 3-21	761626	4-31
761049	2-41, 2-43	761317	3-13, 3-21	761628	4-19
761051	2-41, 2-43	761328	3-13, 3-21	761629	4-19, 4-23
761093	2-5	761340	3-13, 3-21	761630	4-19, 4-23
761104	2-9	761343	3-9, 3-11, 3-19	761631	4-19, 4-23
761106	2-7, 2-9	761345	3-13, 3-21	761632	4-19, 4-21, 4-25
761108	2-39	761355	3-13, 3-21	761634	4-23
761111	2-39	761372	2-3	761635	4-19
761114	2-7	761417	2-45	761641	4-21, 4-25
761117	2-2, 2-9	761428	2-129, 3-7, 3-9, 3-11, 3-19	761643	4-25
761118	2-9			761644	4-21, 4-25
761119	2-9	761444	3-9, 3-11, 3-19	761648	4-21, 4-25
761120	2-7, 2-9	761445	3-9, 3-11, 3-19	761649	4-27
761121	2-7, 2-9	761446	3-13, 3-21	761650	4-27
761124	2-7, 2-9	761447	3-13, 3-21	761651	4-27
761125	2-7, 2-9	761448	3-13	761652	4-27
761126	2-3	761449	3-13, 3-21	761653	4-27
761128	2-19	761451	3-9, 3-11	761654	4-27
761130	2-19	761453	3-13, 3-21	761655	4-27
761131	2-19	761454	3-13, 3-21	761656	4-27
761134	2-19	761455	3-13, 3-21	761657	4-27
761141	2-19	761457	3-13, 3-21	761658	4-27
761148	2-37	761458	3-13	761659	4-27
761153	2-37	761460	3-13, 3-21	761660	4-31
761158	2-2, 2-7, 2-9	761463	3-9, 3-11	761661	4-27
761170	2-7, 2-9	761464	3-9, 3-11	761662	4-27
761179	2-7, 2-9	761469	3-9, 3-11	761663	4-27
761209	2-129, 3-7	761470	3-9, 3-11	761664	4-27
761211	2-3	761472	3-9, 3-11	761665	4-27
761213	2-3	761479	3-13	761666	4-27
761215	2-129	761501	2-2, 3-53	761667	4-27
761216	2-129	761503	2-25	761668	4-27
761217	2-129	761504	2-25	761669	4-27
761223	2-129, 3-7	761505	2-47	761670	4-27
761225	2-41, 2-43, 2-129, 3-7, 3-9, 3-11, 3-19, 3-64	761515	2-45	761672	4-27
761229	2-129, 3-7	761524	2-51, 3-25	761674	4-27
761233	3-43	761525	3-56	761678	4-27
761235	3-64	761526	3-56	761682	4-27
761237	2-5	761542	2-45	761714	4-19, 4-23
761238	2-3	761545	2-45	761715	4-19, 4-23
761239	2-3	761595	3-63	761716	4-19, 4-23
761252	2-39	761600	4-23	761717	4-19, 4-23
761253	2-39	761601	4-19, 4-23	761718	4-19
761254	2-39	761602	4-19, 4-23	761720	4-19, 4-23
761257	2-39	761603	4-19	761727	4-19, 4-23
761265	2-39	761604	4-27	761728	4-19, 4-23
761266	2-39	761606	4-23	761730	4-19
761279	2-38	761607	4-19, 4-23	761731	4-19
761280	2-39	761608	4-27	761732	4-19, 4-23
		761609	4-19, 4-23	761733	4-19

CROSS REFERENCE

Part Number	Page Number	Part Number	Page Number	Part Number	Page Number
761741	3-63	761936	2-123	762209	2-157
761742	3-63	761946	2-121, 3-41	762210	3-55
761743	3-63	761950	2-121, 3-41	762212	2-157, 3-25
761744	3-63	761952	2-115	762213	2-157
761745	3-63	761954	2-117	762214	2-157
761746	3-63	761956	2-5	762217	2-157
761747	3-63	761957	2-5	762219	2-157
761748	3-63	761958	2-109, 2-111	762220	2-2, 2-157
761749	3-63	761959	3-41	762221	2-2, 2-157
761750	3-63	761960	3-41	762222	2-157
761751	3-63	761961	3-41	762223	2-157
761752	3-63	761962	3-41	762224	2-157
761753	3-63	761963	3-41	762225	2-157
761754	3-63	761965	3-41	762228	2-157
761755	3-63	761981	2-109, 2-111	762229	3-25
761756	3-63	761986	4-31	762233	2-157, 3-25
761757	3-63	761987	4-27	762234	2-2, 2-157
761758	3-63	761988	4-27	762236	2-117
761759	3-63	761992	2-11, 2-15, 2-17	762241	3-25
761761	3-63	761993	2-11, 2-15, 2-17, 4-21, 4-25	762245	2-157
761762	3-63			762246	2-157
761763	3-63	761995	2-11, 2-15, 2-17	762249	2-157
761781	3-63	761996	2-11	762253	3-54
761782	3-63	761997	2-11	762254	3-25
761783	3-63	761998	2-15, 2-17	762256	3-25
761784	3-63	761999	2-15, 2-17	762259	2-157, 3-25
761785	3-63	762002	3-9, 3-11, 3-19	762260	3-27, 4-33
761786	3-63	762003	3-9, 3-11, 3-19	762261	3-27
761787	3-63	762004	3-9, 3-11, 3-19	762264	3-25
761788	3-63	762006	3-13, 3-21	762265	3-25
761789	3-63	762007	2-13	762266	3-25
761790	3-63	762010	2-21	762267	3-25
761791	3-53	762011	2-45	762269	3-25
761795	3-49	762018	2-127, 4-9	762270	3-25
761796	2-13	762024	2-147, 4-8	762271	3-25
761798	2-11, 2-13	762032	2-53, 4-60	762272	3-25
761799	2-11, 2-13	762035	2-45, 4-11	762277	3-27
761804	2-37	762043	2-129, 3-7	762278	3-25
761810	2-2	762045	2-19, 4-17	762280	3-27
761811	2-2	762058	3-9, 3-11, 3-19, 4-13	762281	3-27
761824	2-29	762059	2-129, 3-7, 4-15	762282	3-27
761825	2-29, 5-40, 5-48	762064	2-45	762284	3-25
761826	2-29	762066	2-41, 2-43	762285	3-25
761828	2-157	762072	2-21, 3-13, 3-21	762286	3-25
761830	2-31	762073	2-129, 3-7	762288	2-147
761832	2-157	762075	2-145	762290	3-25
761833	2-157	762080	4-19, 4-23	762291	3-25
761834	2-157	762083	4-13, 4-15	762292	3-25
761867	2-103	762094	2-23	762293	3-25
761872	2-103	762103	2-147	762294	3-25
761881	2-119	762105	2-145	762297	3-25, 3-54, 3-55
761893	2-107	762109	2-13	762335	2-142
761909	2-109, 2-111	762116	2-39	762349	2-142
761910	2-109	762117	4-60	762350	2-142
761914	2-109, 2-111	762136	2-13, 4-7	762399	2-141
761915	2-109, 2-111	762178	2-17	762409	2-23, 2-142
761922	2-111	762195	2-49		
761924	2-121, 3-41	762201	3-55		
761926	2-117, 2-121, 3-41	762204	2-157		
761927	2-121, 3-41	762207	3-55		

CROSS REFERENCE

Part Number	Page Number	Part Number	Page Number	Part Number	Page Number
762425	2-15, 2-17, 2-21, 2-41, 2-43, 2-129, 2-142, 2-147, 2-149, 3-5, 3-7, 3-9, 3-11, 3-13, 3-19, 3-21	762516	2-117	763278	2-45
762426	2-15, 2-17, 2-21, 2-45, 2-153, 3-7, 3-15, 3-17	762517	2-127	763284	2-45
762427	2-13, 2-15, 2-17, 2-127, 2-147, 2-151	762519	2-117	763380	2-41, 2-43
762428	2-17, 2-151, 2-153, 2-155, 3-15, 3-17, 3-23	762520	2-117	763383	2-41, 2-43
762430	2-11, 2-13	762521	2-117	763384	2-41, 2-43
762431	2-11, 2-13	762525	2-117	763401	4-9
762432	2-11, 2-49, 2-53, 2-151, 3-5, 3-9	762526	2-117	763402	4-9
762433	2-13, 2-147, 2-151, 2-155, 3-5, 3-9, 3-29	762547	2-117	763403	4-9
762434	2-13, 2-15, 2-17, 2-49	762550	2-23	763404	4-9
762435	2-49, 2-145, 3-9, 3-29	762554	2-35	763430	4-9
762436	2-53, 2-155	762555	2-35	763443	4-5
762437	2-45, 2-145, 2-149, 2-153, 3-17, 3-23, 3-29	762556	2-35	763446	4-5
762438	2-127, 2-145, 2-155, 3-5, 3-29	762557	2-35	763447	4-5, 4-7
762439	3-13, 3-21	762558	2-35	763449	4-5
762441	2-13, 3-9	762572	3-57	763450	4-5
762442	3-9	762573	2-5	763451	4-5
762443	2-49	762575	2-117	763452	4-5
762444	3-5	762583	2-117	763457	4-7
762445	2-145, 2-153, 2-155, 3-7, 3-15, 3-17, 3-23	762587	2-5	763461	4-7
762446	2-23, 2-145, 2-147, 2-153, 3-15, 3-17, 3-23	762591	2-45, 2-49, 3-3, 3-47	763464	4-7
762447	2-153, 3-15	762601	2-127	763485	4-8
762448	2-23, 2-145	762602	2-127	763486	4-8
762456	2-23, 3-9, 3-11, 3-19	762603	2-127	763487	4-8
762457	2-147, 2-155	762604	2-117	763488	4-8
762462	2-17	763003	2-21, 2-129, 3-7	763489	4-8
762463	2-19, 2-147, 2-149, 2-151	763005	2-129, 3-7	763490	4-8
762464	2-147, 2-149, 2-151	763007	2-21, 2-129, 3-7	763501	4-8
762465	2-39	763022	2-21	763502	4-8
762468	2-53	763024	2-21	763503	4-8
762469	2-53, 2-147	763026	3-9, 3-11, 3-19, 3-43	763504	4-10, 4-11
762481	2-149	763031	3-11, 3-19	763505	4-10
762483	2-27	763035	3-11, 3-19	763506	4-11
762484	2-27, 2-145	763036	3-11, 3-19	763507	4-10, 4-11
762487	2-147	763040	2-7, 2-9	763508	4-11
762488	2-13	763041	2-7, 2-9	763509	4-11
762489	2-147	763042	3-3	763512	4-13
762494	2-153	763043	2-39, 3-41	763513	4-13
762501	2-127	763050	2-21	763514	4-13
762504	2-127	763061	2-41, 2-43	763515	4-15, 4-17
762505	2-117	763067	2-39, 3-3	763516	4-17
762513	2-117, 3-61	763075	2-7, 2-9, 2-45	763517	4-17
762514	2-117, 3-57	763083	2-5, 2-39	763518	4-5
762515	2-117	763092	2-37	763519	4-5
		763096	3-41	763520	4-5
		763099	2-115	763521	4-5
		763100	2-39	763522	4-5
		763115	3-25	763523	4-5
		763116	2-17, 3-25	763524	4-5
		763118	2-21	763525	4-5
		763120	3-13, 3-21	763526	4-5
		763126	2-5	763527	4-5
		763131	2-19	763528	4-5
		763133	2-19	763529	4-5
		763134	2-19	763530	4-5
		763137	3-9, 3-11, 3-19	763531	4-5
		763146	2-39	763532	4-5
		763147	2-115	763533	4-5
		76321	2-31	763534	4-5
		763212	3-43, 3-45	763535	4-5
		763244	2-45	763536	4-5

CROSS REFERENCE

Part Number	Page Number	Part Number	Page Number	Part Number	Page Number
763537	4-5	764014	2-23	764290	2-27
763538	4-5	764015	2-23	764291	2-31
763539	4-5	764016	2-5	764292	2-33
763541	4-5	764017	2-23	764293	2-33
763542	4-5	764018	2-2, 2-23	764402	5-5, 5-11, 6-7, 6-13
763802	5-3, 6-3, 6-5	764024	2-27	764403	5-3, 6-5, 6-37
763806	5-3, 6-5	764026	2-31	764404	5-3, 5-7, 6-5, 6-9
763807	5-3, 6-5	764027	2-31	764407	5-16, 6-18, 6-46
763808	5-3, 6-5	764028	2-33	764408	5-7, 5-23, 5-31, 5-35, 6-9, 6-25, 6-35, 6-39, 6-45
763809	5-3, 6-5	764041	2-27	764409	5-3, 5-11, 5-21, 5-25, 5-31, 5-35, 5-37, 5-43, 6-5, 6-13, 6-23, 6-27, 6-33, 6-39, 6-41, 6-45, 6-47, 6-49
763811	5-5, 6-3, 6-7	764045	2-23	764410	5-11, 5-13, 5-35, 5-38, 6-13, 6-15, 6-39, 6-43
763812	5-5, 6-7	764047	2-27	764412	5-23, 6-25
763813	5-5, 6-7	764064	2-25	764414	5-23, 5-38, 6-23, 6-25, 6-43
763814	5-5, 6-7	764067	2-25	764415	5-31, 6-33, 6-45, 6-51
763830	5-9, 6-11	764069	2-27	764416	5-28, 6-30, 6-45
763832	5-9, 6-11	764070	2-23	764417	5-26, 6-28, 6-51
763834	5-11, 6-13	764071	2-23	764418	5-18, 5-21, 6-20, 6-23
763836	6-15	764073	2-5	764419	5-33
763837	6-15	764077	2-29	764420	5-14, 6-16
763850	6-33	764081	2-31	764421	5-31, 5-35, 6-13, 6-25, 6-33, 6-35, 6-39
763851	6-33	764082	2-29	764422	5-16, 6-18, 6-51
763852	6-33	764085	2-29	764423	5-40, 6-45, 6-46
763868	5-14, 6-16	764087	2-25	764425	5-23, 5-26, 6-25
763870	5-35, 6-39	764090	2-25	764427	5-14, 6-16
763872	6-39	764097	2-29	764431	5-16, 5-17, 6-18, 6-19
763873	6-37	764098	2-29	764432	5-32, 5-43, 5-45, 6-49, 6-52
763874	6-37	764099	2-29	764433	5-32, 5-43, 5-45, 5-48, 6-49, 6-52
763876	6-37	764105	2-29	764434	5-9, 6-11, 6-54
763877	6-37	764106	2-29	764455	5-3, 6-5
763878	6-37	764119	2-27	764456	5-3, 6-5
763879	5-37, 6-37, 6-41, 6-45	764120	2-29	764457	5-11, 6-13
763880	6-37	764122	2-29	764460	5-15, 6-17
763881	6-37	764123	2-29	764461	5-3, 6-5
763884	6-37	764126	2-25	764465	5-3, 5-7, 6-5
763885	6-37	764129	2-25	764466	5-3, 6-5
763886	5-35, 6-37, 6-39	764131	2-2, 2-31	764467	5-3, 6-5
763916	5-41, 6-47	764134	2-25	764470	6-5
763917	5-41, 6-47	764139	2-25	764471	5-3, 6-5
763921	5-43, 6-49	764151	2-23	764473	5-3, 6-3, 6-5
763924	5-3, 6-5	764152	2-23	764478	5-3, 6-5
763931	4-5	764168	2-33	764481	5-3
763934	4-5	764182	2-33	764482	5-3
763943	4-5	764183	2-27	764484	5-5, 6-3, 6-7
763948	4-7	764190	2-2, 2-33	764485	5-5, 6-7
763949	4-7	764191	2-33	764486	5-5, 6-7
763950	4-7	764209	3-41	764487	5-5, 6-7
763951	4-7	764212	3-41	764492	5-5, 6-3, 6-7
763952	4-7	764234	2-159	764493	5-5, 6-7
763953	4-7	764235	2-159	764494	5-5, 6-3, 6-7
763954	4-7	764238	2-159		
763955	4-7	764240	2-159		
763956	4-7	764241	2-159		
764002	2-25	764244	2-159		
764006	2-23	764245	2-159		
764007	2-23	764253	2-159		
764008	2-23	764254	2-159		
764009	2-23	764256	2-7, 2-9, 2-159		
764010	2-27	764260	2-2, 2-159		
764011	2-23	764261	2-2, 2-159		
764012	2-23	764263	2-159		

CROSS REFERENCE

Part Number	Page Number	Part Number	Page Number	Part Number	Page Number
764495	5-5, 6-7	764618	5-21, 6-23	764804	5-43, 5-48, 6-49
764499	5-5	764620	5-23, 6-25	764811	5-43, 6-49
764503	5-5, 6-7	764624	5-26, 6-28	764812	5-43, 6-49
764517	5-7, 6-9	764625	5-26, 6-28	764813	5-43, 6-49
764518	6-9	764626	5-26, 6-28	764814	5-43, 6-49
764519	6-9	764627	5-26, 6-28	764822	5-45, 6-52
764520	6-9	764628	5-26, 6-28	764823	5-32, 5-45, 6-52
764524	5-9, 6-11	764629	5-26, 6-28	764834	5-7
764529	5-13, 6-15	764630	5-26, 6-28	764835	5-7, 6-9
764530	5-9, 6-11	764631	5-26, 6-28	764836	5-3, 6-5
764531	5-9, 6-11	764632	5-26, 6-28	764837	5-47
764532	5-9, 6-11	764633	5-26, 6-28	764839	2-25, 5-44, 5-47, 6-45, 6-53
764533	5-9, 6-11	764634	5-27, 6-29	764840	5-44, 5-47, 6-53
764535	5-9, 6-11	764636	5-21, 6-23	764841	5-44, 5-47, 6-53
764536	5-9, 6-11	764639	5-29, 6-31	764842	5-47
764537	5-9, 6-11	764640	5-9, 5-29, 6-11, 6-31	764843	5-47
764539	5-9, 6-11	764641	5-29, 6-31	764844	5-47
764543	5-9, 6-11	764655	5-46, 6-37	764845	5-47
764544	5-9, 6-11	764657	5-31	764850	6-54
764547	5-11	764659	6-35	764853	6-54
764550	5-11, 6-13	764660	6-35	764856	6-54
764552	5-11, 6-13	764662	6-35	764860	6-45, 6-54
764553	5-11, 6-13	764670	5-31	764868	5-35, 5-49, 6-39
764554	5-11, 6-13	764676	5-32	764871	5-11, 5-49, 6-13
764556	5-11, 6-13	764701	5-35, 6-39	764877	5-3, 5-33, 5-49, 6-5, 6-37
764558	5-11, 6-13	764702	5-35, 6-39	764888	5-35, 5-49, 6-39
764560	5-11, 5-21, 6-13, 6-23	764703	5-35, 6-39	764896	2-23
764561	6-13	764707	5-35, 6-39	764899	6-3
764567	5-11, 6-13	764709	5-35, 6-39	764900	5-48, 6-9
764568	5-13	764710	5-35, 6-39	764901	6-9
764571	5-13, 6-15	764711	5-35, 6-39	764902	6-35
764574	5-13, 6-15	764712	5-35, 6-39	764903	6-35
764575	5-11, 5-13, 5-21, 6-13, 6-15, 6-23	764713	5-35, 6-39	764904	6-42
764576	5-13, 6-15	764714	5-35, 6-39	764905	6-9
764577	5-13, 6-15	764716	5-35, 6-39	764906	6-25
764578	5-13, 6-15	764717	5-35, 6-39	764907	5-21, 6-23
764579	5-13, 6-15	764719	5-35, 6-39	764908	5-28, 6-30
764580	5-13, 6-15, 6-23	764720	5-35, 6-39	764909	5-23, 5-48, 6-25
764582	5-13, 6-15	764726	5-37, 6-41	764910	5-11, 6-13
764583	5-13	764727	6-41	764911	6-43
764584	5-13, 6-15	764728	5-37, 6-41	764912	6-43
764585	5-13, 6-15	764730	5-37, 6-41	764913	6-41
764586	5-13, 6-15	764733	5-37	764914	6-13
764587	5-13, 6-15	764734	5-37	764915	6-3, 6-7
764588	5-13, 6-15	764737	5-33	764916	6-3, 6-7
764589	5-13, 6-15	764740	6-37	764917	6-54
764591	5-14, 6-16	764743	5-3, 6-5, 6-37	764918	5-23, 6-25
764595	5-14, 6-16	764744	5-3, 6-5, 6-37	764920	6-25
764596	5-14, 6-16	764745	6-37	764921	6-3, 6-5
764597	5-15, 6-17	764747	5-23, 6-37	764922	6-9
764598	5-15, 6-17	764773	6-43	764923	5-5, 6-3, 6-7
764599	5-15, 6-17	764776	5-24, 6-26	764924	6-3, 6-7
764603	5-17, 6-19	764777	5-24, 6-26	764925	6-11
764604	5-17, 6-19	764778	5-24, 6-26	764926	5-9, 6-11
764608	5-19	764785	5-38	764927	6-9
764609	5-21, 5-23, 6-23, 6-37	764789	6-46	764928	6-9
764611	6-23	764790	5-40	764929	5-23, 6-25
764613	5-21, 6-23	764794	5-41, 6-25, 6-45, 6-47	764930	6-25
764616	6-23	764802	6-49		
		764803	5-43, 6-49		

CROSS REFERENCE

Part Number	Page Number	Part Number	Page Number	Part Number	Page Number
764933	6-45	764998	6-9, 6-54	765059	5-35, 6-39
764936	5-21, 6-23	764999	5-11, 5-49, 6-13	765060	5-19, 6-21
764937	6-45	765000	6-45, 6-54	765061	5-19, 6-21
764938	5-23, 6-25	765001	5-37, 5-49, 6-41	765062	5-19, 6-21
764939	6-54	765002	6-54	765063	6-49
764940	6-33	765003	5-25, 5-48, 6-27	765261	3-67
764941	5-23, 6-25	765004	6-43	765262	3-67
764944	6-54	765005	6-54	765269	3-59
764945	6-35	765006	5-23, 5-48, 6-25	765283	2-117
764946	6-35	765007	6-37	765284	3-58
764947	5-44, 6-53	765008	5-23, 5-49, 6-25	765292	3-61
764948	6-50	765009	6-54	765293	3-57
764949	6-50	765010	6-42, 6-45	765300	2-5
764950	5-44, 6-53	765011	6-54	765307	2-5
764951	5-5, 6-7	765012	5-48, 6-46	765322	2-9
764952	5-5, 6-7	765013	6-45, 6-54	765335	2-9
764953	5-3, 6-5	765014	6-54	765336	2-7
764954	5-9, 6-11	765015	6-45	765360	2-5
764955	6-35	765016	5-25, 6-27	765363	2-5
764956	6-3, 6-5	765017	6-25	765366	2-15
764957	6-13	765018	6-45	765370	2-21
764958	6-9	765019	5-11, 6-13	765371	2-25
764959	6-9	765020	5-11, 6-13	765380	2-21
764960	5-43, 6-49	765021	6-45	765381	2-21
764961	6-9	765022	6-51	765391	2-5
764962	5-31, 6-35	765023	5-9, 6-11	765409	3-5
764963	5-43, 6-49	765024	5-9, 6-11	765410	3-5
764964	6-7	765025	6-49	765435	3-3
764965	5-3, 5-37, 6-5, 6-41	765026	6-49	765444	3-5
764966	6-7	765027	6-45	765445	3-5
764967	6-45	765028	6-52	765450	2-49
764968	5-37, 6-41	765029	6-49	765461	2-21
764969	6-35	765030	6-33	765465	3-3
764970	5-31, 5-48, 6-35	765031	6-37	765488	2-21
764971	5-9, 6-11	765032	6-33	765491	3-5
764972	5-21, 6-23	765033	6-3, 6-7	765492	3-5
764973	6-9	765034	5-3, 6-5	765612	2-45
764974	6-9	765035	6-5	765614	2-45
764975	6-9	765036	5-3, 6-5	765620	3-3
764976	6-9	765037	5-7, 6-5	765621	3-3
764977	6-45	765038	5-3, 6-5	76570	2-7, 2-27
764978	5-7, 6-9	765039	5-3, 6-5	765805	2-39
764979	6-45	765040	5-3, 5-49, 6-5	765806	2-39
764980	6-45	765041	6-9	765807	2-39
764981	5-31, 6-35	765042	5-9, 6-11	765810	2-41, 2-43
764982	6-45	765043	5-11, 6-13	765811	2-39
764983	5-23, 6-25	765044	5-11, 6-13	765813	2-39
764984	6-45	765045	5-11, 6-13	765814	2-43
764985	6-43	765046	5-13, 6-15	765815	2-41
764986	6-33	765047	5-13, 6-15	765816	2-39
764987	6-49	765048	5-13, 6-15	765817	2-39
764988	5-31, 6-35	765049	5-14, 6-16	765818	2-39
764989	6-45	765050	5-14, 6-16	765827	2-37
764990	6-45	765051	5-14, 6-16	765845	2-2, 2-37
764992	5-31, 6-33	765052	5-17, 6-19	765960	2-160
764993	5-28, 6-30	765053	5-17, 6-19	766006	2-33
764994	5-43, 6-49	765054	5-17, 6-19	766010	2-35
764995	5-43, 6-49	765056	5-18, 6-20	766014	2-35
764996	5-45, 6-52	765057	5-35, 6-39	766015	2-35
764997	6-52	765058	5-35, 6-39	766016	2-23

CROSS REFERENCE

Part Number	Page Number	Part Number	Page Number	Part Number	Page Number
766031	2-15, 2-17	766640	5-23	766979	2-5
766033	2-23	766641	5-21	766980	2-5
766035	2-23	766642	5-21	766984	2-5
766036	2-25	766643	5-14, 6-16	766987	2-5
766037	2-25	766644	5-38	767005	2-147
766042	2-27	766645	5-38	767006	2-145
766043	2-27	766646	5-39	767007	2-151, 4-37, 4-39
766044	2-27	766647	5-43	767008	2-149, 4-45
766046	2-27	766648	5-7	767009	3-29, 4-47
766047	2-25	766649	5-18, 6-20	767011	2-145
766400	2-23	766650	5-31, 5-49	767012	2-145
766402	2-23	766651	5-31	767013	2-2, 2-145
766405	2-31	766652	5-31	767014	2-147
766406	2-33	766653	5-31	767016	2-15, 2-17
766412	2-27	766654	5-31	767019	2-145
766414	2-31	766655	5-31	767020	3-13, 3-21, 4-10
766416	2-33	766656	5-18, 6-20	767024	3-15
766417	2-27	766657	5-31	767025	2-15, 2-17
766420	2-31	766658	5-7	767026	2-151
766421	2-33	766659	5-31	767027	2-149
766600	5-7, 5-48	766660	5-37	767030	2-153
766601	5-31	766661	5-38	767033	2-149
766602	5-31	766662	5-31	767037	3-9, 3-11, 3-19
766603	5-11	766663	5-39	767038	3-9, 3-11, 3-19
766604	5-7	766664	5-3	767040	2-149
766605	5-7	766665	5-3	767045	2-45
766606	5-7	766666	5-3	767180	2-39
766607	5-7	766667	5-5	767200	2-147, 4-5
766608	5-7	766668	5-7	767205	2-157
766609	5-7	766669	5-3	767207	2-15, 4-57
766610	5-7	766670	5-43	767208	3-15, 4-53
766611	5-7	766671	5-23	767211	2-21
766612	5-7	766672	5-35	767212	2-15, 2-17
766613	5-7	766673	5-45	767215	3-17, 3-23, 4-55
766614	5-7, 5-48	766674	5-38	767218	3-15, 3-17, 3-23, 4-35
766615	5-38, 5-48	766675	5-38	767219	4-49
766616	5-37, 6-41	766676	5-38	767220	2-153, 4-49, 4-51
766617	5-38	766677	5-23	767221	2-155
766618	5-38	766678	5-32	767222	2-141
766619	5-39	766679	5-43	767223	2-141
766620	5-37	766680	5-43	767224	2-142
766621	5-5	766681	5-45	767225	2-142
766622	5-5	766682	5-43	767230	2-141
766623	5-5	766683	5-11	767231	2-141
766624	5-49	766684	5-31	767232	2-141
766625	5-5	766685	5-31	767233	3-31
766626	5-5	766686	5-31	767234	2-141
766627	5-5	766687	5-31	767235	2-141
766628	5-48	766690	2-23	767236	2-141
766629	5-23, 6-25	766691	2-23	767237	2-141
766630	5-23	766692	5-21	767238	2-141
766631	5-3	766693	5-31, 6-35	767239	2-141
766632	5-7	766694	5-31, 6-35	767241	2-141
766633	5-9	766695	5-31, 6-35	767242	2-141
766634	5-5	766930	2-5	767243	2-141
766635	5-5	766935	2-5	767244	2-141
766636	5-5	766940	2-5	767245	2-141
766637	5-5	766945	2-5	767246	3-33
766638	5-5	766966	2-5	767247	3-9
766639	5-40	766977	2-5	767248	2-145

CROSS REFERENCE

Part Number	Page Number	Part Number	Page Number	Part Number	Page Number
767249	2-141	767316	2-141	767704	4-19
767250	3-33	767317	3-29	767705	4-29
767251	2-141	767318	3-29	767707	4-29
767252	2-141	767319	3-31	767709	4-29
767253	2-142	767320	3-31	767710	4-29
767254	2-141	767321	3-31	767711	4-29
767255	2-142	767323	3-31	767715	4-29
767256	2-141	767324	2-141	767718	4-29
767257	2-141	767325	3-31	767719	4-29
767258	2-141	767327	3-29	767721	4-29
767259	2-141	767328	2-141	767726	4-29
767260	2-141	767329	3-33	767727	4-29
767261	2-142	767333	2-142	767728	4-29
767262	2-142	767334	2-142	767729	4-29
767263	3-33	767335	3-37	767730	4-29
767264	2-142	767336	3-37	767731	4-29
767265	2-142	767338	3-37	767732	4-29
767266	2-141	767339	3-37	767733	4-29
767267	2-141	767340	3-37	767734	4-21
767268	2-141	767341	3-37	767735	4-21, 4-23
767269	2-142	767342	3-37	767737	4-25
767270	2-141	767343	3-37	767738	4-21, 4-25
767271	2-145	767344	3-35	767739	4-21, 4-25
767272	2-145	76736	2-25, 2-39	767740	4-21, 4-25
767273	2-145	767407	2-147	767741	4-21, 4-25
767275	2-145	767409	2-127	767743	4-25
767278	3-9, 3-33	767411	2-129, 3-7	767744	4-25
767280	2-141	767415	2-141	767745	4-21, 4-25
767281	3-31	767416	2-141	767746	4-21, 4-25
767282	2-141	767417	2-141	767747	4-21, 4-25
767283	2-141	767418	2-142	767748	4-21, 4-25
767284	2-141	767421	2-15, 2-17	767749	4-21, 4-25
767285	2-141	767422	2-15, 2-17	767750	4-21, 4-25
767286	2-141	767423	2-15	767752	4-21, 4-25
767287	2-141	767424	2-155	767753	4-21, 4-25
767288	2-141	767426	3-23	767762	4-21, 4-25
767290	2-142	767427	2-17	767763	4-21, 4-25
767291	3-33	767429	3-17, 3-23	767764	4-21, 4-25
767292	3-33	767431	3-35	767766	2-2
767293	3-33	767432	3-35	767767	4-25
767294	3-33	767433	3-35	767768	4-21
767295	3-33	767434	3-35	767769	4-29
767296	3-33	767435	3-35	768009	2-7, 2-9
767297	3-33	767436	3-35	768014	2-21
767299	3-33	767437	3-35	768019	2-21
767300	3-33	767438	3-35	768025	2-3
767301	3-33	767440	3-35	768026	2-3
767302	3-33	767444	3-35	768028	2-3
767303	3-33	767445	3-35	768029	2-3
767304	3-33	767446	3-35	768030	2-3
767305	2-141	767521	3-41	768031	2-3
767306	2-142	767522	3-41	768032	2-3
767307	2-141	767523	3-41	768033	2-3
767308	2-141	767601	5-19, 6-21	768034	2-3
767309	2-141	767641	2-129, 3-7, 3-65, 3-66	768036	2-3
767311	2-142	767642	2-129, 3-7, 3-65	768038	2-159
767312	2-142	767644	2-129, 3-7, 3-65	768039	2-159
767313	2-141	767701	2-13	768040	2-9
767314	2-23, 2-142	767702	2-11	768041	2-7
767315	2-141	767703	4-19	768042	2-9

CROSS REFERENCE

Part Number	Page Number	Part Number	Page Number	Part Number	Page Number
768043	2-7	768443	2-115	768593	2-23
768052	3-21	768444	2-103	768595	2-115
768053	3-19	768445	3-39	768598	2-45, 3-58
768056	3-21	768446	2-115	768599	2-117
768060	3-19	768447	2-107	768601	2-117
768061	3-19	768448	2-105	768603	2-115, 2-117
768062	3-19	768449	2-115	768604	3-59
768063	3-19	768451	2-115	768605	2-45, 3-58
768066	3-21	768452	2-115	768606	2-119, 3-57
768067	3-19	768453	2-115	768607	2-119
768077	3-9, 3-11	768456	2-109, 2-111	768608	2-13
768078	3-19	768457	2-127	768609	2-117
768079	3-17, 3-23	768458	2-117	768610	2-117
768089	2-2, 2-159	768461	2-117	768611	2-117
768091	2-159	768462	2-117	768612	2-117, 3-57
768096	2-159	768467	2-115	768613	2-45
768099	2-7, 2-9	768469	3-39	768614	2-5
768100	2-159	768471	2-149	768619	2-5
768101	2-159	768472	3-39	768620	2-5
768102	2-159	768476	3-39	768621	2-45
768103	2-159	768477	3-39	768622	2-45
768104	2-159	768480	2-127	768627	2-23
768200	2-9	768481	2-127	768632	2-117
768202	2-7, 2-9	768482	2-127	768800	2-160
768205	2-7	768485	2-117	768811	3-39
768207	2-7, 2-9	768486	3-61	768815	2-160
768209	2-7, 2-9	768487	2-5	768834	2-129, 3-7, 3-65
768210	2-7, 2-9	768492	2-115	768836	2-129, 3-7, 3-65, 3-66
768211	2-7, 2-9	768493	2-117	768842	2-129, 3-7, 3-65, 3-66
768222	2-7, 2-9	768496	3-39	768843	2-129
768301	2-157	768502	3-3	768852	3-7
768305	2-157	768529	2-117	768870	2-27
768309	3-27	768550	2-119	768872	2-11, 2-13
768310	3-25, 3-54, 3-55	768551	2-117	768881	2-142
768311	2-157	768552	2-117	768882	2-142
768314	3-25	768554	2-117	768883	2-17, 4-59
768320	2-157	768555	3-57	768884	2-17
768322	3-55	768560	2-77, 2-101	768885	2-17
768323	2-157	768561	2-77, 2-101	768886	2-17
768324	2-157	768562	2-77, 2-101	768887	2-17
768399	2-117	768563	2-77	768888	2-101
768410	2-5	768565	2-77	768890	4-59
768411	2-5	768566	2-77, 2-101	768891	4-59
768412	2-5	768567	2-31	768896	2-27
768413	2-5	768568	2-33	768897	2-27
768416	3-41	768570	2-119	768899	2-151, 4-41, 4-43
768421	3-39	768571	2-125	769004	2-147
768422	3-39	768572	2-125	769005	2-147
768423	3-39	768573	2-125	769006	2-147
768425	2-115	768574	2-125	769020	3-41
768428	2-115	768575	2-101	769021	3-41
768429	2-115	768578	2-125	769023	3-41
768430	2-115	768580	2-117	769024	2-121
768431	2-115	768581	2-115	769029	3-41
768432	2-115	768582	2-125	769030	3-41
768433	2-115	768583	2-125	769031	2-123
768434	2-115	768584	2-125	769032	2-123
768435	3-61	768586	2-125	769033	2-123
768438	3-61	768587	2-125	769036	2-123
768442	2-115	768591	2-113, 2-119	769038	2-121, 3-41

CROSS REFERENCE

Part Number	Page Number	Part Number	Page Number	Part Number	Page Number
769039	2-121, 3-41	769610	2-103	770035	3-63
769040	2-121, 3-41	769611	2-109	770148	2-17
769042	3-41	769612	2-109	770149	3-63
769046	2-121, 3-41	769613	2-113	770154	2-53
769063	3-47	769614	2-109	770504	3-51
769071	2-103	769615	2-103	770646	3-63
769077	2-149	769616	2-103	78951	3-61
769078	2-155	769617	2-103	78954	3-61
769080	3-41	769618	2-105, 2-107, 2-117	79508-1	3-48
769087	2-159	769619	2-105, 2-109, 2-111	79515	3-48
769093	4-19, 4-23	769620	2-103	79517	3-48
769503	3-3	769621	2-111	79518	3-48
769504	3-3	769623	2-111	79711	4-37, 4-39, 4-41, 4-43, 4-45, 4-47, 4-49, 4-51
769507	3-5	769626	2-119	79716	4-37, 4-39, 4-41, 4-43, 4-45, 4-47, 4-49, 4-51
769508	3-5	769627	2-105	79718	4-41, 4-43
769509	3-3	769628	2-107	79719	4-37, 4-41
769510	3-3	769630	2-103	79723	4-37, 4-41, 4-53, 4-55
769511	3-3	769631	2-103	79728	4-37, 4-39, 4-41, 4-43, 4-45, 4-47, 4-49, 4-51, 4-53, 4-55
769512	3-3	769632	2-105	79729	4-13, 4-15, 4-17
769513	3-3	769633	2-109	79731	4-37, 4-39, 4-41, 4-43, 4-45, 4-49, 4-51
769514	3-3	769634	2-111	79732	4-49, 4-51
769515	3-5	769635	2-105	79740	4-37, 4-39, 4-41, 4-43, 4-45, 4-47, 4-49, 4-51, 4-53, 4-55
769516	3-5	769636	2-109, 2-111	79779	4-5
769518	3-5	769637	2-103	79868	2-145, 2-149
769522	3-3, 3-5	769638	2-105, 2-107	79886	2-23
769523	3-3, 3-5	769639	2-109, 2-111	81558	5-5, 6-3, 6-7
769524	3-3	769640	2-113	81558A	5-5, 6-7
769525	3-5	769641	2-113	81558B	5-5, 6-7
769526	3-5	769642	2-113	81558C	5-5, 6-7
769527	3-5	769643	2-113	82661	2-27, 3-41
769528	3-3	769644	2-109, 2-111	82733	2-45
769529	3-3	769645	2-107	86385	2-2
769530	3-5	769646	2-109, 2-111	87677	3-25
769531	3-5	769647	2-109	87784	4-17
769534	3-3	769648	2-111	87785	4-17
769540	3-5	769649	2-109		
769541	3-3	769650	2-111		
769542	3-3	769651	2-119		
769545	3-3	769652	2-119		
769547	3-3	769653	2-109, 2-111		
769548	3-3	769654	2-105		
769549	3-3	769655	2-107		
769554	3-3	769656	2-119		
769558	3-5	769657	2-2, 2-103		
769561	3-5	769658	2-105		
769562	3-5	769659	2-103		
769563	3-3	769660	2-107		
769587	2-23	769661	2-107		
769588	2-23	769664	2-111		
769589	3-66	769819	2-25		
769590	2-3, 3-66	770002	2-142		
769593	3-41	770003	2-17		
769601	2-103	770006	3-41		
769602	2-105	770009	3-41		
769603	2-109, 2-111	770016	2-13		
769604	2-109, 2-111	770023	2-127		
769605	2-109, 2-111	770025	2-49		
769606	2-109, 2-111	770027	3-11, 3-19		
769607	2-119	770028	2-45, 3-11, 3-19		
769609	2-103	770029	3-9, 3-11, 3-19		

PART DESCRIPTION TO PAGE NUMBER CROSS REFERENCE LIST

424 Oil, Brakes, 2.5 Gal., 2-2
830 Oper/Video PAL, 3-67
830 Oper/Video VHS, 3-67

A

Accumulator, Piston, 2-15, 2-17
Adapter, Exhaust Tube, 2-29
Adaptor, Cam Coupler, 3-55
Adaptor, Oil Filter, 2-23
ADAPTOR, 5-13, 5-26, 5-46, 6-15, 6-28,
6-37, 6-45
Adjusting Screw, 4-5
Air Cleaner, 8 inch, 2-33
Air Cleaner, 2-31
Air Filter, Pleated, 2-103
Alarm, Backup, Smart, 2-45
Alternator, 2-23
Angle, Hyd Valve Mount, 2-151
Angle, Retainer Side Skirt, 2-37
Angle, Skid Chain, 2-7, 2-9
Angle, Switch, 2-41, 2-45
Angle, Weld't, Filterbag Lift, 3-53
Angle, 2-39, 3-25, 3-54, 3-55
Arm Ass'y, Upper Brush Support, 3-9, 3-11
Arm Weldt, Lower Brush Support, 3-9, 3-11
Arm Wldt, Lower Brush Support, 3-19
Arm Wldt, Upper Brush, Lh, 3-19
Arm Wldt, 2-21
Arm, Seal, Upper, 2-159
Arm, Wiper, Paneo, 2-103
Ashtray, Side Mounting, Chr, 2-115
Aspirator, Air Cleaner, 2-31
Assy, Console Cover, 2-105
Assy, Door, Lh, 2-105
Assy, Door, Rh, 2-107
Assy, Filter Cover, 2-103
ATOMIZER, 6-35
Attachment, Repair Kit 1.654, 2-2, 2-39
Axle Assembly, Rear W/Brake, 4-21
Axle, Front (See Breakdowns), 2-13
Axle, Rear (See Breakdowns), 2-11

B

Backplate, 4-8, 4-60
Balance Ring, 4-13, 4-15, 4-17
BALL, 5-3, 6-5
Ball, 4-9
Band, Mtg., 2-31
Bar Flat, Rubber Hopper, 2-45
Bar Wldt, Brush Support, 3-65, 3-66
Bar, Brush Support, 2-129
Bar, Seal, Upper, 2-159
Bar, Side Spring, 2-11, 2-13
Bar, Stop, Filter Bag, 2-47
Bar, Support, Lh, 2-159
Bar, Support, Rh, 2-159
Bar, Wldt. Brush Support, 3-7
Base, Lft, Lower, 2-49

Base, Remote Oil Filter, 2-23
Battery Box, Poly, 2-35
Battery, 12V, Cc Amps:1000 Wet, 2-35
Battery, 12V, Cc Amps:730 Wet, 2-35
Bearing Cam, Roller 52x14x20, 2-43
Bearing, 32012, 4-27
BEARING, BALL, 5-26, 6-28
Bearing, Cam Follower, 3-13, 3-21
Bearing, Cam Roller 52x14x20, 2-41
Bearing, Flange, Roller, 2-39
Bearing, Flange, 2-39, 2-129, 3-7
Bearing, Hub, 4-29
Bearing, Needle, 4-9
Bearing, Sleeve 30x38x10, 2-21
Bearing, Sleeve, 2-45
Bearing, Spherical, 3-3, 3-5
Bearing, Thrust, 2-21
Bearing,, 3-7
Bearing, 2-19, 2-21, 2-129, 3-7, 3-9, 3-11,
3-13, 3-19, 3-21, 4-5, 4-19, 4-21,
4-23, 4-25, 4-27, 4-29, 4-31
Beater Bar, Filter Bag, 2-45
BELT, FAN, 5-18, 6-20
Belt, Alternator (Set Of 2), 2-23
Belt, 3-41
Bezel, Case, Instrument, 2-115
Bezel, Center Switch, 2-117
Bezel, End Switch, 2-117
Bezel, Switch, Center Console, 2-115
Blade, Wiper, 28" Bl, 2-103
BLOCK, CYLINDER, 5-3
Block, Undercarriage Limiter, 3-13
BLOCK, 5-24, 6-26
Block, 3-21
Blower, Assy, 2-123
Body, 4-8, 4-60
Bolt Weldt., 2-5
Bolt, .374-16X2.75, 2-119
Bolt, Eye, 3-19
Bolt, M10x130, 3-41
Bolt, M12x90, 2-41, 2-43
BOLT, 5-3, 5-15, 5-24, 5-31, 5-43, 6-5, 6-9,
6-17, 6-26, 6-35, 6-49
Bolt, 4-13, 4-15
Boom, Vac Wand Hose, 3-43
Bottle, Washer Fluid W/Pump, 2-107
BOTTOM, 6-3, 6-7
Box, Instrument, 2-125
Bracket Weldt, Air Cleaner, 2-33
Bracket Weldt, Front Hinge, 3-9, 3-11
Bracket Weldt, Hyd. Hose, 3-9, 3-11
Bracket Weldt, Hyd. Motor Mount, 3-9, 3-11
Bracket Weldt, 2-25
Bracket Wldt, Compressor, A/C, 3-41
Bracket Wldt, Front Hinge, Lh, 3-19
Bracket Wldt, Motor Mount, Lh, 3-19
Bracket Wldt, Water Sys, Lh, 3-19
Bracket Wldt, Side Brush Lh, 3-7
Bracket, Accelerator, 2-119
Bracket, Air Intake, 2-31
Bracket, Antenna, 3-61

Bracket, Cable, Throttle, 2-115
Bracket, Coil, 2-121, 3-41
Bracket, Control, Vario (Option), 2-117
Bracket, Coolant Overflow, 2-27
Bracket, Dust Containment, Lh, 2-159
Bracket, Dust Containment, Rh, 2-159
Bracket, Extended Pin, 2-51
Bracket, Filter Bag, 2-47
Bracket, Hinge Mount Lh, 3-47
Bracket, Hinge Mount, Rh, 3-47
Bracket, Hose, Hyd, Lh, 3-19
Bracket, Hyd Hose Mount, 3-9, 3-11, 3-19
Bracket, Hyd Valve Mtg, 2-149
Bracket, L, 2-125
Bracket, Light, Night Sweeping, 3-57
Bracket, Mtg, Radio, 3-61
Bracket, Mtg, 3-15
Bracket, Muffler, .25, 2-29
Bracket, Muffler, .375, (Std Engine), 2-29
Bracket, Muffler, .375, (Turbo Engine),
2-29
Bracket, Nozzle, 2-157
Bracket, Receiver, Dryer, 3-41
Bracket, Retainer, Rear, 2-9
Bracket, Skirt, Lh, 2-159
Bracket, Skirt, Rh, 2-159
Bracket, Steering Column, Lh, 3-39
Bracket, Switch, 2-49
Bracket, Throttle, Lh, 3-39
Bracket, Tool Box, 3-25
Bracket, Air Cleaner Support (Std Engine),
2-31
Bracket, Cable Mount, 2-45
Bracket, Clip Mount, 3-47
Bracket, Filler Tube, 2-25
Bracket, Hyd. Motor Support, 2-129, 3-7
Bracket, Oil Filter, 2-23
Bracket, Side Brush Rh, 2-129
Bracket, Skirt, 2-129
Bracket, Throttle Cable, 2-23
Bracket, Water System, 3-9, 3-11
BRACKET, 5-9, 5-21, 5-31, 5-35, 5-37,
5-43, 6-11, 6-23, 6-33, 6-39, 6-41,
6-45, 6-49, 6-51
Bracket, 2-5, 2-33, 2-117, 3-3, 3-17, 3-23
Brake Assembly, Parking, 4-29
Brakeline, 2-15
Breather, 4-21, 4-23, 4-25, 4-29
BRIDGE PIECE, 5-35, 6-39
Brush Kit, Segmented -32 D-Flatwire, 2-3
Brush Kit, Segmented -32 D-Poly&Wire,
2-3
Brush Kit, Segmented -32 D-Poly, 2-3
Brush Kit, Segmented -38 D-Poly&Wire,
2-3
Brush Kit, Segmented -38 D-Poly, 2-3
Brush Wrap, 2-9
Brush-Main Sweep, 51Lg Strp Poly, 2-3
Brush-Side Sweep -32D Flatwire, Side,
2-3
Brush-Side Sweep -32D Poly, Side, 2-3

CROSS REFERENCE

Brush-Side Sweep -38D Poly, Vario, 2-3
Brush-Side Sweep 32D Poly&Wire, Side, 2-3
Brush-Side Sweep-38D Poly&Wire, Vario, 2-3
Brush-Side Swp, 4 Segments-Flatwire, 2-3
Brush-Side Swp, 4 Segments-Poly&Wire, 2-3
Brush-Side Swp, 4 Segments-Poly&wire, 2-3
Brush-Side Swp, 4 Segments-Poly, 2-3
Bulb Seal, "D", 2-105, 2-109, 2-111
Bulb, GE (Brake/backup), 2-5
Bulb, GE (Signal/tail), 2-5
Bulb, GE (signal/tail), 2-5
Bulb, 2-119
Bulkhead Fitting, 2-103
Bumper, Engine Door, 2-41, 2-43
Bumper, Rear Rubber, 3-51
Bumper, Rubber Recessed, 3-47
Bushing Support, 4-5
Bushing, Engine Door Hinge, 2-5
Bushing, Fing, 0.63b 0.82d 0.75l, Bnz, 3-65, 3-66
Bushing, Gland Seal, 4-9
Bushing, Rear Support, 2-45
Bushing, Sleeve, 30mmb 40mmd 25mml, Bnz, 3-3
Bushing, Sleeve, 3-3
BUSHING, 5-3, 5-5, 5-9, 5-11, 5-13, 6-5, 6-7, 6-11, 6-13, 6-15
Bushing, 2-5, 2-41, 2-43, 2-45, 3-3, 3-5, 4-5
Button, Plug, 2-149
Buzzer, 2-117
Bypass Vlv.Kit, 2-157

C

Cable, Brush Lift, 2-21
Cable, Door, Access, 3-9, 3-11, 3-19, 3-43
Cable, Engine Speed, 2-23
Cable, Hopper Door Hook, 2-45
Cable, Power, 3-63
Cable, Push-Pull, 2-121, 3-41
Cable, Ribbon, 20 Conductor, 2-125
Cable, Ribbon, 34 Conductor, 2-125
Cable, Rotary Control, 2-121, 3-41
Cable, 2-5, 2-157
Cage Wldt, Support, Brush, 2-9
Cam Latch, Offset Le, 2-111
Cam Latch, Rh, Offse, 2-109
CAMSHAFT, 6-13
CAP AND SEAL, 5-37
Cap Screw, 4-5, 4-60
Cap. Quick Disconnect, 2-145
Cap, End, 4-9
Cap, Fuel Tank Filler, 2-25
Cap, Fuel, Protectoseal, 3-50
Cap, Grease, 2-39
Cap, Oil Filler, 4-33
Cap, Screw, 4-9

Cap, Spray Nozzle (Wet Dust Control), 2-2
Cap, Spray Nozzle, 2-157
Cap,Radiator, 2-27
CAP, 5-7, 5-31, 6-9
Carrying Flange, 4-19
Cart, Pilot Chk, 4-37, 4-41
Cart, Priority Cp, 4-47
Cart,Logic Cntl Cp, 4-53, 4-55
Cart,Pilot Cntr Cp, 4-55
Cart,Psi Cn Cp, 4-37, 4-41, 4-45, 4-49, 4-53, 4-55
Chain, 2/0 13 Links, 2-7, 2-9
Chain, Brush, Cage, 2-7, 2-9
Chain, Grease, Seals, 2-39
Chain,Link#2/0,11Links,Zinc Pl, 2-9
Chain,Link#2/08 5Links,Br.Zinc, 2-129
Chain,Rlr, 15Pitches, 3-27
Channel Weldt,Lower Support, 2-129, 3-7
Channel Wldt, Lower Support, 3-65
Channel,Support Cover 1.654, 2-37
Channel, 2-5
Charge Pressure Relief Valve Kit, 4-5
Check Valve Kit, 4-7
Check Valve, Inlet, 4-9
Check Valve, Load Handling, 3-9
CIRCLIP, 5-5, 5-9, 5-13, 5-26, 6-7, 6-11, 6-15, 6-28
Circlip, 4-21, 4-25, 4-29
Circuit Board Power Supply, 2-115
Circuit, Diode (Vario only), 2-117
Clamp, 1.25-2.12 Dia Power Gear, 3-55
Clamp, 2.5 Muffler, 2-29
Clamp, 3" Hose, 2-31
Clamp, 6" Dia Bridge R.S., 3-43, 3-45
Clamp, 8 inch Air Cleaner, 2-33
Clamp, Cable, Stl, 1.00d X 0.62w, 1h, 2-27
Clamp, Cable, 2-15, 2-17, 2-39, 3-17, 3-23
Clamp, Dovetail, 2-109, 2-111
Clamp, Gasket, Front, 2-45
Clamp, Receiver, Dryer, 3-41
Clamp, Wormdrive, 1.62-3.50D, 2-31
Clamp, Wormdrive, 2-121, 2-157, 3-41
Clamp,Muf 6-8 In, 2-29
Clamp- Worm, 1.81-275D, 2-27
Clamp-Cable, 0.38Dia 0.62Wth, 2-25
Clamp-Cable, 1.00Dia. .62Wth, 2-35
Clamp-Cable, 1.25Dia. 1.0Wth, 2-19
Clamp-Wormdrive, 0.25- 0.62D, 2-25, 2-157
Clamp-Wormdrive, 0.31- 0.88D, 2-157, 3-25
Clamp-Wormdrive, 0.81- 1.50D, 2-157
Clamp-Wormdrive, 1.56- 2.50D L, 2-25, 2-27
Clamp-Wormdrive, 1.62-3.50D, 2-33
Clamp-Wormdrive, 1.81- 2.75D, 2-25
Clamp-Wormdrive, 1.81-2.75D, 2-33
CLAMP, 5-35, 6-39
Clamp, 2-33, 2-117
Clevi & Spring Assy .188, 2-23
Clevi & Spring Assy .250, 2-23
Clevis Assy, .19, 2-23
Clevis Assy, .25, 2-23

Clevis Assy, Support, 3-5
Clevis Pin, 2-5
Clip, Storage Plastic, 3-25
Clip, Finger Clip, Metal, 2-51, 3-25
Clip, Finger Clip, 2-51
Clip,Finger Grip, 3-47, 3-48
Clip-Rod, End Retain, 2-109, 2-111
CLIP, 5-23, 5-31, 5-35, 5-43, 5-45, 6-25, 6-33, 6-37, 6-39, 6-43, 6-49, 6-52
Clip, 5-45
Clutch, Air-Cond, 3-41
Coil, 12V Cp, 4-37, 4-39, 4-41, 4-43, 4-53, 4-55
Coil, 12VDC, 4-59
Coil, Air-Cond, Heater, 3-41
Coil, Condenser, 3-41
Coil, Heater, 2-121
Coil, 4-57
Column, Steering (Tilt), 2-127
Compressor,Air-Cond, 3-41
CONN ROD (HI GRADE), 5-5
CONN ROD (INTERMEDIATE GR), 5-5
CONN ROD (LOW GRADE), 5-5
CONNECITON, 6-45
CONNECTION, 5-9, 5-25, 5-31, 5-43, 6-11, 6-27, 6-33, 6-35, 6-49
Connector, Wire Lock, 3-61
CONNECTOR, 6-37
Connector, 3-61
Console, Steering, Lh, 3-39
CONTAINER, 5-47
Conveyor Wldt, Bolt On Back, 2-37
Cooler, Hydraulic Oil (318mm), 2-27
Cotter Pin, 4-19, 4-23
COTTER, 6-9
Coupler Body, .375F Brass, 3-25
Coupler Plug, .375M Ss, 3-25
Coupler, Cam, 2-157
Coupling, Motor Press Washer, 3-27
Coupling, Tank Fill Hose, 3-55
Coupling,Chain,LH Half,Keyed, 3-27
Cover Cap, 4-10
Cover Wldt, Valve, Inner, 2-149
COVER, CYL HEAD, 5-37
Cover, Filter Bag, 2-47
Cover, Floor Plate, 3-39
Cover, Hub, 4-21
Cover, Hyd Hoses, 2-45
Cover, Pump, 4-33
Cover, Side Frame, Lh, 2-5
Cover, Springs, 4-29
Cover, Steering Column, 3-39
Cover, Steering Wheel, 2-127
Cover, Undercarriage, Lh, 3-21
Cover, Valve, Outer, 2-149
Cover, Wire Channel, Back, 2-115
Cover, Wire Channel, Top, 2-115
Cover,Undercarriage, 3-13
COVER, 5-11, 5-23, 6-13, 6-25
Cover, 4-21, 4-25
Cross Bearing Kit, 4-31
Cummins, 4 Cylinder Engine Breakdown, 3-67

Cummins, 6 Cylinder Engine Breakdown, 3-67
 Cup Kit, 4-33
 Cushion, Side Skids, 2-7, 2-9
 CYL. HEAD COVER, 6-41
 Cylinder Anchor Pin, 4-19, 4-23
 Cylinder, Hyd Conveyor Lift, 2-41, 2-43
 Cylinder, Hyd Hopper Door, 2-45
 Cylinder, Hyd Hopper Tilt, 2-49
 Cylinder, Hyd Main Brush Lift, 2-21
 Cylinder, Hyd S Br Lift, 2-129, 3-7
 Cylinder, Hyd, 3-19, 3-21
 Cylinder, Hydraulic, 4-19, 4-23
 Cylinder, Lift, 3-5
 Cylinder, Tilt, 3-5
 Cylinder, Hyd Brush Tilt, 3-9, 3-11
 Cylinder, Hyd, Brush Lift, 3-9, 3-11
 Cylinder, Hyd, Brush Swing, 3-13
 Cylinder, Hyd, Curb Tilt, 3-9, 3-11

D

DA Cartridge, 4-5
 DA Control Assembly, 4-5
 DA Control Kit, 4-7
 DAMPER, 5-11, 6-13
 Differential Cover, 4-27
 Differential Flange, 4-27
 Differential Housing, 4-27
 Differential Pivot, 4-27
 Diode, Bridge, 2-117
 Diode, Electric Plug, 3-41
 Diode, 2-117
 DIPSTICK, 5-35, 6-39
 Disc. Manifold, 4-33
 Dischrg Quiet Vlv Kit, 4-33
 Dolly Weldt, Undercarriage, 3-13
 Dolly Wldt, Undercarriage, 3-21
 Dome Light W/Map 12V, 2-119
 Door Limiter, 2-5
 Door Stop, 2-41, 2-43
 Door, Brush Lh, 2-9
 Door, Brush, Rh, 2-7
 Door, Engine, Lh, 2-5
 Door, Engine, Rh, 2-5
 Door, Hopper, Rear, 2-45
 Door, Weldt Vacuum Door, 3-47
 DOWEL, 5-3, 5-7, 5-14, 6-5, 6-7, 6-9, 6-16
 Dowell Pin, 4-5
 Drive Arm, 2-103
 Drive Gear, 4-8, 4-60
 DRIVE, 5-17, 6-19
 Drive, 4-9, 4-10, 4-11, 4-13, 4-15, 4-17
 Dryer, Air-Cond, 3-41
 Duct, Air, 2-115
 Dust Cover, 4-19
 Dust Protector, 4-31

E

Eccentric Screw, 4-5
 Elbow, Exhaust, 2-29

Elbow, Intake, Air, 2-33
 ELBOW, 5-38, 5-40, 5-48, 6-43, 6-45
 Element, 8 inch Air Cleaner, 2-33
 Element, Filter Safety, 2-31
 Element, Safety, 2-33
 ELEMENT, 5-44, 6-50, 6-53
 End Cap, 4-11
 Engine Access Step Kit, 3-56
 Engine Assy, (Std Engine), 2-23
 Engine Assy, (Waste Gated Turbo Engine), 2-23
 EXHAUST MANIFOLD, 6-45
 EXTENSION, 5-19, 6-21
 Extinguisher, Fire, 3-52
 Eye Bolt, M20 X 190, 2-41, 2-43
 Eyebolt, .50-13X3.5", 2-41, 2-43, 2-129, 3-7, 3-9, 3-11, 3-64

F

FAN, 5-19, 6-21
 Fender, 2-5
 Filler, Neck, Fuel Tank, 2-25
 Filter Assy., 2-17
 Filter Bag Assy, Hopper, 2-47
 Filter Bag Lifting Kit, 2-2
 Filter Bag, 2-47
 Filter Element, Fuel, 2-23
 Filter Element, Air Donaldson (Standard Engine), 2-2
 Filter Element, Air Donaldson (Turbo Engine), 2-2
 Filter Element, Air Donaldson, 2-31
 Filter Element, Hyd. Spin On, 2-2, 2-145
 Filter Element, Oil (Standard Engine), 2-2
 Filter Element, Oil (Turbo Engine), 2-2
 Filter Element, Oil Turbo, 2-23
 Filter Element, Oil, 2-23
 FILTER HEAD, 5-33, 6-37
 Filter, 10 Micron, 4-41
 Filter, 50 Mesh, 2-157
 Filter, Cab Air Intake, 2-2
 Filter, Head, 2-145
 Filter, Inline Strainer, 3-25
 Filter, Oil, 2-17
 Filter, Fuel, 2-2
 FILTER, 5-44, 6-50, 6-53
 Fitting, Brake Line, 2-15, 2-17
 Fitting, Brakeline, 2-11
 Fitting, Brass, E90 02pm-.25-28sae, 3-63
 Fitting, Brass, E90 02pm-03com, 3-63
 Fitting, Brass, E90, 3-63
 Fitting, Brass, Str 02pm-03com, 3-63
 Fitting, Brass, Str 03com-.25-28sae, 3-63
 Fitting, Brass, Tee, 3-63
 Fitting, Draincock, .25npt 90, 2-27
 Fitting, E90 Snap, 3-63
 Fitting, Elbow, 3-63
 Fitting, Grease, E90 Pm04 .75l, 2-9
 Fitting, Grease, Str Pm04 .63l, 2-7, 2-9, 3-3
 Fitting, Grease, 3-5
 Fitting, Hyd. E90, 2-17

Fitting, Hyd. Elbow, 2-17
 Fitting, Hyd. Str, 2-17
 Fitting, Hyd, Elbow, 2-15, 2-151
 Fitting, Hyd, Plug, 2-153, 2-155
 Fitting, Hyd, Str, 2-15, 2-17, 2-153, 3-19
 Fitting, Hyd, Tee, 2-15, 2-17
 Fitting, Hyd, 2-15, 2-17, 2-23, 2-49, 2-142, 2-145, 2-149, 2-151, 2-153, 2-155, 3-5, 3-19, 3-21
 Fitting, Pipe, Str 02pm-.25-28sae, 3-63
 Fitting, Pipe, Str 02pm-02pf, 3-63
 Fitting, Plug, 3-63
 Fitting, Qf, 3-63
 Fitting, Special, 2-13
 Fitting, Str, Bkhd, 2-15, 2-17
 Fitting, Str, Nipple Npt, 3-63
 Fitting, Str, 3-63
 Fitting, Stud, 3-63
 Fitting-Hyd, E45, 2-39
 Fitting-Hyd, Str, 2-151, 2-153, 2-155
 Fitting-Hyd, 2-145
 Flange, Driven, 4-25
 Flange, Exhaust, 2-29
 FLANGE, 5-13, 6-15, 6-46
 Flange, 4-19, 4-23
 Flasher Heavy Duty, 2-117
 Flg, Mtg 2-Bolt, 4-10, 4-11
 Floor Mat, Lh Side, 2-105
 Floor Mat, Rh Side, 2-107
 Fluid, Hyd Oil, Lo Tp 5 Gal., 2-2
 Flywheel Flange, Nylon, 2-23
 FLYWHEEL HOUSING, 5-14, 6-16
 FLYWHEEL, 5-15, 6-17
 Foam, Ctr Console, R, 2-107
 Foam, Filter, Recirc, 2-103
 Foam, Headliner, Lh, 2-113
 Foam, Headliner, Rh, 2-113
 Foam, Lower Door, Ps, 2-109, 2-111
 Foam, Rr Panel, Lh W/B, 2-113
 Foam, Rr Panel, Rh W/B, 2-113
 Follower, Cam, 3-3
 Frame Wldt, 2-5
 Front Axle Housing, 4-23
 Front Housing, 4-27
 Frontplate, 4-8, 4-60
 Ftg, Grease.12 Npt Strt .66L, 2-11, 2-13
 Ftg, Grease.25-28Th Strt .63L, 2-129, 3-7
 Ftg, Grease.25-28th Strt .63L, 2-51
 Ftg, Grease, 2-45, 2-49
 Ftg, Nipple, Grease, 3-3
 Ftg, Plstc E90, 3-25
 Ftg, Plug, 2-157
 Ftg, Str, Bulkhead, 2-11
 Ftg, 90El Galv .375X.50 F Npt, 3-25
 Ftg, Nipple Galv .375Npt Close, 3-25
 Ftg, Plstc, Elb, Barb.50Pt-.50Hse, 2-157
 Ftg, Plstc, Elb, Barb.50Pt-.75Hse, 2-157, 3-25
 Ftg-Brs E45 Pm02/Pf02, 2-31, 2-33
 Ftg-Brs Str Bm08/Pm04, 2-157
 Ftg-Hyd Bleeder, 4, 2-11
 Ftg-Hyd Sae Flange, 2-13, 2-147
 Ftg-Hyd Str, 2-157

CROSS REFERENCE

Ftg-Hyd Tee, 2-11
Ftg-Hyd, 6, 2-13
Ftg-Hyd, 6, 2-11
Ftg-Hyd, 90, 3-15, 3-17, 3-23
Ftg-Hyd, Bleeder, 4, 2-13
Ftg-Hyd, E45, 3-9, 3-25
Ftg-Hyd, E90 8, 3-25
Ftg-Hyd, E90, 2-11, 2-13, 2-21, 2-23, 2-27, 2-41, 2-43, 2-45, 2-53, 2-129, 2-147, 3-7, 3-9, 3-11, 3-13, 3-29
Ftg-Hyd, Elbow, 4-6, 2-127
Ftg-Hyd, Elbow, 2-49
Ftg-Hyd, Plug, 2-23, 3-27
Ftg-Hyd, Str 8-8, 3-25
Ftg-Hyd, Str 8, 3-25
Ftg-Hyd, Str, 2-13, 2-19, 2-21, 2-23, 2-45, 2-53, 2-127, 2-147, 3-9, 3-11, 3-13, 3-15, 3-17, 3-23, 3-25, 3-29
Ftg-Hyd, str, 3-7
Ftg-Hyd, Tee, 2-13, 2-49, 2-53, 3-9, 3-29
Ftg-Hyd, 3-15
Ftg-Plug Npt 08Pm Sq Hd, 3-27
Ftg-Special, 2-145
Ftg-Str Npt/Npt 06pf/08pm, 2-27
Ftg_Hyd, E90, 2-147
Fitting, Tube, Union, 3-63
FUEL FILTER, 5-47
Fuel Tank, 2-25
Fuse, 10 Amp, 2-117
Fuse, 15 Amp, 2-117
Fuse, 15Amp, 3-57
Fuse, 20 Amp, 2-117
Fuse, 25 Amp, 2-117
Fuse, 30 Amp, 2-117
Fuse, Velocity, 3-5
Fuse, 3-61

G

Gas Spring, 2-5
GASKET KIT, 6-54
Gasket, Axle, 4-23
Gasket, Box, Instrument, 2-125
Gasket, Exhaust, 2-29
Gasket, Fire Switch, 2-45
GASKET, HEAD, 5-7, 5-48
Gasket, Hyd Cap, 2-145
Gasket, Hyd Tank Breather, 2-145
Gasket, Taillight, 2-5
Gasket, Filter Bag Cover, 2-47
Gasket, Filter Frame, 2-47
Gasket, Hopper Opening, 2-45
Gasket, Rear Hopper Door, 2-45
GASKET, 5-37, 5-38, 5-40, 5-48, 6-37, 6-41
Gasket, 4-19, 4-21, 4-23
Gauge, Glycerin, 3-25
Gauge, Sight, 2-145
GEAR, CAMSHAFT, 5-11, 6-13
GEAR, CRANKSHAFT, 5-5, 6-7
GEAR, FUEL PUMP, 5-31, 6-35
GEAR, HYD PUMP, 5-26, 6-28
GEAR, IDLER, 5-11, 5-13, 6-13, 6-15

Gear, Input, 4-29
GEAR, STARTER RING, 5-15, 6-17
Gear, 3-13, 3-21
Geroler, 4-13, 4-15, 4-17
Gerotor Assy, 4-10, 4-11
Gerotor Set, 4-9
Glowplug preheater, 2-117
Grab Handle, Diecast, 2-109, 2-111
Grease Zerk, 4-19, 4-23
Grease, Anti-Corrosion Electrical, 2-2
Grip, Handle-Rnd .72ld X 5.0L, 3-47, 3-48
Grommet, Ribbon Cable, 2-125
Grommet, Turn Signal, 2-119
Grommet, Rbr, 0.38ld, For .19Matl, 3-57
Grommet, 2-5, 3-58, 3-61
Guard, Debris 1.654, 2-37
Guard, Hose, 2-17
Guard, Motor, 2-53
Guard, Pump Coupling, 3-27
Guard, Rotating Lamp, 3-59
Guide Weldt, Undercarriage, 3-13
Guide, Conveyor Chain, 2-2
Guide, Spring, 3-13
Guide, Cam Roller, Lh, 3-3
Guide, Cam Roller, Rh, 3-3
Guide, Cam Roller, Up, 3-3
Guide, Chain, 2-37
GUIDE, 5-7, 6-9
Guide, 3-21

H

H.P.R.V. with Tow Option (4000-6100 psi), 4-5
Handle Weldt., Sludge Removal, 3-48
Handle, Grab, 2-41, 2-43, 3-56
Handle, High Pressure Spray, 3-25
Harness, Cab, Wire, 2-77, 2-101
Harness, Hopper Lift, Wire, 2-77
Harness, Hopper W/HD, 2-101
Harness, Hopper, Wire, 2-77
Harness, Jumper, Parking Brake, 2-101
Harness, Main, Wire, 2-77, 2-101
Harness, Vario Brush Control, Wire, 2-77, 2-101
Harness, Vario Brush, Wire, 2-77, 2-101
HEAD GASKET, 6-9, 6-54
HEAD, CYLINDER, 5-7
Headlight, Assy, 2-119
Hinge Weldt, Brush Arm, 3-13
Hinge Wldt, Brush Arm, Lh, 3-21
Hinge, Conveyor, 2-37
Hinge, Vacuum Wand Door, 3-47
Hinge, 3-41
HOLDER, 5-31, 6-35
Hole Plug, .313 Hole, 2-109, 2-111
Hook, Door Release, 2-45
Hook, Threaded M20x10, 2-21
Hopper Assembly, 2-45
Hopper Cleanout Kit, 3-48
Hopper Support, Lower, 2-51
Hopper Support, Upper W/Label, 2-51
Hopper up Alarm, 2-45
Hopper Wldt, 2-45
Horn, 12V, 2-5
Hose .25 Dia. Fuel LineL, 2-25
Hose Assembly, Pressure Wash, 3-25
Hose Assy, 3-54
Hose Clamp, 3-23
Hose Clamps, 3-17
HOSE CLIP, 5-37, 6-37, 6-41, 6-45
Hose Plug, .8750 Hol, 2-109, 2-111
Hose, 6" Dia x 150 R.S., 3-43, 3-45
Hose, Fuel .31 Dia., 2-25
Hose, Heater, 2-121, 3-41
Hose, Hyd, 2-141, 2-142, 3-29, 3-31, 3-33, 3-35
Hose, Rubber, Elbow, 3.0 (Std Engine), 2-31
Hose, Rubber, 2-33
Hose, Taper, Air Cleaner, 2-33
Hose, Water .50In X 10.0Ft, 3-25
Hose, Water, Polywire.50Inx12.0Ft, 3-25
Hose, Water, 2-157
Hose, Ac, 3-41
Hose, Fuel Fill 2.25X3.75In Lg, 2-25
Hose, Hyd, 2-23, 3-37
Hose, Rad. Lower, 2x2x24, 2-27
Hose, Radiator Overflow 5/16ld, 2-27
Hose, Radiator Upper, 2-27
Hose, Washer .156X.34, 2-105
Hose, Water .50 In x 10.0 Ft, 2-157
Hose, Water .50 in x 8.0 Ft, 2-157
Hose, Water .50 In x 16.0 Ft, 2-157
Hose, Water .50Inx0.29Ft, 2-157
Hose, Water .50Inx1.0Ft, 2-157
Hose, Water .50Inx2.08Ft, 2-157
Hose, Water .75Inx7.0Ft, 2-157
Hose, Water Fill, 3-55
Hose-Hyd, 3-9
HOSE, 6-33, 6-37, 6-43, 6-45
Hose, 2-11, 2-15, 2-17
Housing, Bearng, 4-17
Housing, Blower, 2-123
Housing, Brg, 4-13, 4-15
Housing, Motor, 4-29
Housing, Valve, 4-13, 4-15, 4-17
HOUSING, 5-3, 5-18, 5-23, 6-3, 6-5, 6-20, 6-25
Housing, 4-5, 4-7, 4-10, 4-11
Hub Assy, Front W/Brake, 4-25
Hub Weldt, Side Brush, 2-129, 3-7, 3-9, 3-11
Hub. Disks, 4-29
Hub, Brake, 4-21, 4-25
Hub, Brush, 3-19
Hub, Drive, Pump, 2-23
Hub, Pump Drive Sae "C", 2-23
Hub, Wheel, 4-21, 4-25
HUB, 5-11, 6-13
Hyd Filler Breather Assembly, 2-145

I

Idler Gear, 4-8, 4-60
Idler, No Teeth, Split, 2-39

Impeller, Intake, 2-53
 Indicator, Sight Tube, 2-157
 INDUCT. MANIFOLD, 6-43
 INJECTION PUMP, 6-35
 Innertube, 7.00 X 12, [Tr440], 2-11, 2-13
 INSERT, 5-7, 6-9
 Inside Rel W/Bezel, 2-109
 Inside Release, W/Be, 2-111
 Instrument Panel Assembly, 2-125
 Insulation, Acstc, Vacfan, 2-53
 Insulation, Console, 2-115
 INTAKE HEATER, 5-27, 6-29
 Intake, Air, 90, 2-31
 Isolator, Cab, Rear, 2-5
 Isolator, Mtg, Fan, Side, 2-23
 Isolator, Mtg, Flywheel, Orange, 2-23
 Isolator, Taillight, 2-5
 Isolator-Vibration .25-20, 2-27
 Isolator, 3-41

J

Jam Nut, 4-5
 JET, 5-3, 6-5
 JOINT, 5-3, 5-11, 5-23, 5-25, 5-33, 5-35,
 5-37, 5-41, 5-47, 5-48, 5-49, 6-5,
 6-13, 6-25, 6-27, 6-37, 6-39, 6-41,
 6-42, 6-43, 6-45, 6-46, 6-47, 6-54
 Joystick (Option), 2-117

K

Key, 5mm, 4-33
 Key, Engine Door, 2-5
 Key, Ignition Switch, 2-127
 Key-5Mm, 3-27
 Key-Wdruff 0.25 1.00 Asa#0808, 4-10,
 4-11
 Key, 2-109, 2-111, 4-13, 4-15, 4-17, 4-60
 KIT, BEARING, 5-5, 6-3, 6-7
 Kit, Brake, Disc, 4-29
 KIT, BRAKE, 5-17, 6-19
 Kit, Brush Door, Lh, 2-159
 Kit, Brush Door, Rh, 2-159
 KIT, BRUSH, 5-17, 6-19
 Kit, Ci, Linkage, Brush, Side, 2-3, 3-65,
 3-66
 Kit, Ci, Pulley, A/C, 3-41
 KIT, CONROD, 6-3, 6-7
 KIT, CRANKSHAFT, 5-5, 6-3, 6-7
 Kit, Cv Joints, 4-31
 KIT, CYL HEAD, 6-9
 KIT, CYLINDER BLOCK, 6-3, 6-5
 Kit, Differential Gear Set, 4-27
 Kit, Discs, Brake, 4-21, 4-25
 Kit, Engine Door Lh, 2-5
 Kit, Engine Door Rh, 2-5
 Kit, Fuse Box, 2-117
 KIT, GASKET, 5-48, 5-49
 Kit, Guard, Brush, 3-59
 Kit, Hose Hyd. Brake, 2-17
 KIT, HOSE, 5-23, 6-25

Kit, Instrument Panel Assembly, 2-125
 Kit, Link, Connecting, 2-103
 KIT, PISTON (+0.5MM), 5-5
 KIT, PISTON (+1.0MM), 5-5
 KIT, PISTON (STD), 5-5
 KIT, PISTON RING (+0.5MM), 5-5
 KIT, PISTON RING (+1.0MM), 5-5
 KIT, PISTON RING (STD), 5-5
 KIT, PISTON RING, 6-3, 6-7
 KIT, PISTON, 6-3, 6-7
 Kit, Radio, Tape Deck, 3-61
 Kit, Radio, 3-61
 KIT, Repair, Water Pump, 5-23
 KIT, REPAIR, 5-17, 5-41, 6-19, 6-25, 6-47
 Kit, Seal, Axle, 4-29
 Kit, Seal, Brake, 4-21, 4-25
 Kit, Seal, Cyl, Hyd, 2-21, 2-45, 2-129, 3-7,
 3-9, 3-11, 3-13, 3-19, 3-21
 Kit, Seal, Hyd Motor, 4-60
 Kit, Seal, 2-39, 2-147
 Kit, Seat, Suspension, Passenger
 (Optional), 2-117
 Kit, Side Brush Spring, 2-3
 Kit, Speed Reducer Gear Set, 4-27
 Knob, Ball, 1.25d 0.38-16 Plstc, 2-127
 Knob, Switch Fan (Air Conditioner Knob
 Optional), 2-117
 Knob, Switch, 2-121, 3-41
 Knob, Water Valve (Option), 2-117

L

L.H. Bracket, 2-5
 Label, Bias Tire, 2-160
 Label, Blank, 08.5 X 11.0 Clr Poly, 3-63
 Label, Numeral, 830-II, 2-160
 Label, Radial Tire, 2-160
 Label, Set, Cab Lh, 3-39
 Label, Set, Info & Hazard, 2-160
 Label, Set, Operational, 2-160
 Label, Slow Moving Vehicle, 2-160
 Label, Tennant Logo- 10.0 Blue, 2-160
 Label, Tennant Logo, 2-160
 Label, Tennant Logo, 2-160
 Lamp #4, 2-119
 Lamp Assembly, Rotating, Cab, 3-58
 Lamp Assembly, Rotating, 3-58
 Lamp, 12VDC, 55 Watt, Halogen, 3-58
 Lamp, Assy., Side Marker, 2-5
 Lamp, Flood, Halogen, 3-57
 Lamp, Flood, Side Brush, 2-113
 Lamp, Halogen H1 12V 55W, 2-45
 Lamp, W/Conector, 2-45
 Lamp, Warnig 4way, 2-117
 Lamp, Warnig, Brake Pressure, 2-117
 Lamp, Warnig, Tilt Indicator (High Dump
 only), 2-117
 Lance, Dual, 3-25
 Latch Wldt, Brush Arm, Lh, 3-19
 Latch, Cover, Access, 2-115
 Latch, Pddl Rh W/Key, 2-109
 Latch, Pddl, Lh W/Key, 2-111
 Latch, Weldt, Brush Support, 3-9, 3-11

Latch, Eng. Door, 2-5
 LEAK-OFF PIPE, 5-31, 6-35
 Leg Assy, Lower W/Label, 3-3
 Leg Assy, Upper W/Label, 3-3
 Lens, Amber, Light, Revl, 3-58
 Lens, Rev. Light Amber, 2-45
 Lever, Alternator, 2-23
 Lever, Throttle, 2-117
 LEVER, 5-9, 6-11
 Lift Kit, Filter Bag, 3-53
 LIFT PUMP, 5-41, 6-47
 Light Assy Revl Amber 12V, 2-45
 Light Kit, Halogen Night, 3-57
 Light, Halogen Flood, 3-57
 Light, Signal, Amber, 2-119
 Lighter, 12V Cig, 2-117
 LINER, 6-3, 6-5
 Link, Rlr.Chain, 3-27
 Locating Pin, 4-5
 Lock Nut, D.25, 4-27
 Louver, 49Mmx121Mm B , 2-105
 Louver, 49Mmx121Mm B, 2-107
 Louver, Spindle Nozz, 2-103
 Louver, 2-117
 Lug Nut, Flanged, 2-11, 2-13

M

Magnetic Plug, 4-23
 Manifold Block, Filter, 2-145
 MANIFOLD, EXHAUST, 5-39
 MANIFOLD, INDUCTION, 5-38
 Manifold, Water, 2-157
 Manual Op/Mt 830 French, 3-67
 Manual Op/Mt 830 Spanish, 3-67
 Manual Pkg 830II, 3-67
 Manual, CD-ROM, Oprts&Parts, All (NA),
 3-67
 Manual, CD-ROM, Service, 3-67
 Manual, Engine Perkins ES, 3-67
 Manual-Fiche Pkg 830, 3-67
 Mat, Floor, 2-7
 Micro Switch, Joystick, 2-117
 Mirror, Convex, Round, 2-109, 2-111
 Mirror, Convex, 2-109, 2-111
 Molding, Rigid, 2-5
 Molding, Trim 7.5 Ft, 3-25
 Motor, Assy, Blower, Lh, 2-123
 Motor, Assy, Blower, Rh, 2-123
 Motor, Ele, Wiper, 2-103
 Motor, Hyd 3Rd Brush Transprt, 4-10
 Motor, Hyd 3Rd Brush, 3-19
 Motor, Hyd Gear, 4-13, 4-15
 Motor, Hyd High Press Sprayer, 3-27
 Motor, Hyd Main Brush W/Ports, 4-17
 Motor, Hyd S Br W/End Ports (See
 Breakdowns), 2-129, 3-7
 Motor, Hyd Shaker W/End Ports (See
 Breakdowns), 2-45
 Motor, Hyd Shaker W/End Ports, 4-11
 Motor, Hyd Transport Vario, 3-21
 Motor, Hyd Vac Fan (See Breakdowns),
 2-53

CROSS REFERENCE

Motor, Hyd, Brush (See Breakdowns), 3-9, 3-11
Motor, Hyd, Brush Transprt (See Breakdowns), 3-13
Motor, Hyd, Rebuilt, F/762136, (See Breakdowns), 2-13
Motor, Hyd, Vacfan 1.02 Cid, 4-60
Motor, Hyd, 2-39
Motor, Piston, (See Breakdowns), 2-13
Motor, Piston, Rexroth, 4-7
Motor, Hyd Main Brush (See Breakdowns), 2-19
Mount, Frame, Rear Lh, 3-3
Mount, Frame, Rear Rh, 3-3
Muffler, 2-29

N

Nipple, .50M X .75B, 2-157
Nipple, .50Mx.50B, 3-25
Nipple, .50Mx.50M, 2-157, 3-25
Nipple, Pipe, 2-145
NOZZLE, ADJ, 5-31
Nozzle, High Pressure, 3-25
Nozzle, Lo Pressure, 3-25
Nozzle, Vacuum Hose, 3-43
Nozzle, Water Spray (Wet Dust Control), 2-2
Nozzle, Water Spray, 2-157
NOZZLE, 5-31, 6-35
Nut HxLocNyln .50-13 Std., 3-64
Nut Hxlocnyln M 8x1.25, 2-37
Nut HxLocNyln M12X1.75, 3-64
Nut Retainer M8, 2-157
Nut, Brass 03com, 3-63
Nut, Brass 05com, 3-63
Nut, Hex Jam M20x2.5, 2-39
Nut, Hex Lock M08, 2-27
Nut, Hex m06, 2-17
Nut, Hex, Jam M20 X 2.5, 3-3
Nut, Hex, Lock, M24x2.0nyln, 3-13, 3-21
Nut, Hex, Lock, .38-16, NI, Ss, 2-39
Nut, Hex, Lock, M 8 X 1.25 NI, 3-3
Nut, Hex, Lock, M 8 X 1.25, 3-5
Nut, Hex, Lock, M06 X 1.0, NI, 2-27
Nut, Hex, Lock, M06x1.0, 3-61
Nut, Hex, Lock, M08-1.25, NI, Ss, 2-39
Nut, Hex, Lock, M16, 3-19
Nut, Hex, Lock, M20 X 2.5, 3-11, 3-19
Nut, Hex, M14 X 1.5, 3-11, 3-19
Nut, Hex, Std, M12 X 1.75, 2-39
Nut, Hex, Std, M20 X 2.5, 2-41, 2-43
Nut, Hex, Stover, M10 X 1.5, 3-41
Nut, Hex, Stover, M12 X 1.75, 3-66
Nut, Hex, 2-125
Nut, Jam, 3-5
Nut, Lh, 4-19, 4-23
Nut, Lock, Ny, 3-3
Nut, Lug, Flanged, 4-21
Nut, M18x1.5, 4-19, 4-23
Nut, Rh, 4-19, 4-23
Nut, Self Lock M8, 4-19, 4-23
Nut, Special U-Bolt, .75 Deep, 2-11, 2-13

Nut, Steering Wheel, 2-127
Nut, U, M06-1.0, 2-159
Nut, U, M08-1.25, 2-159
Nut-Hxlocnyln M 6x1.0 Reg Ss, 2-37
Nut-Hxlocnyln M 8x1.25 Reg Ss, 2-37
Nut-Hxlocnyln M16x2.0 Reg Pltd, 2-19, 3-9, 3-11
Nut-Hxlocnyln, 2-39
NUT, 5-5, 5-9, 5-16, 5-19, 5-21, 5-29, 5-31, 5-32, 5-35, 5-37, 5-39, 5-40, 5-43, 5-44, 5-45, 5-47, 6-11, 6-13, 6-18, 6-21, 6-23, 6-25, 6-31, 6-33, 6-35, 6-39, 6-41, 6-45, 6-46, 6-49, 6-51, 6-52, 6-53
Nut, 4-13, 4-15, 4-17, 4-21, 4-25, 4-27, 4-37, 4-39, 4-41, 4-43, 4-45, 4-47, 4-49, 4-51, 4-53, 4-55, 4-57, 4-59

O

O Ring Seal, 2-125
O-Ring Kit, Seal Lok, 2-2
O-RING, 5-13, 5-23, 5-26, 5-31, 5-35, 5-37, 6-15, 6-25, 6-28, 6-39
O-Ring, 2-39, 2-147
OIL COOLER, 6-37
OIL FILTER, 5-33, 6-37
OIL PUMP, 5-13, 6-15
Oil, Crankcase (For 1 oil change), 4-33
Oil, Crankcase, Cat Pump (For 1 oil change), 3-27
OLIVE, 5-9, 5-32, 5-35, 5-43, 5-44, 5-45, 5-47, 5-48, 6-11, 6-33, 6-39, 6-45, 6-49, 6-52, 6-53, 6-54
Olive, 2-25, 5-31, 6-35
Operator Seat with Connector, 2-117
Orifice (0.8 mm), 4-5
Orifice (1.8 mm), 4-5
Orifice, Hyd Cylinder, 2-21
Output Gear, 4-27
Output Shaft, 4-11

P

P.O.R. Assembly, 4-5
Pad, Tread, 2-5
Pad, Cab Mount, 2-5
Paint, Touch-up, Blue-Green, 12 oz., 2-2
Paint, Touch-up, Off-White, 12 oz., 2-2
Panel Assembly, Control, 2-125
Panel Wldt, Rear Lower, 2-37
Panel, Access, 2-115
Panel, Console Upper L.H., 3-39
Panel, Console, Control, Cent, 2-115
Panel, Console, Upper, Switch, 2-115
Panel, Instrument, 2-125
Panel, Rear, Lh, 2-115
Panel, Rear, Rh, 2-115
Panel, Touch, 2-125
Panel, Left Side W/Label, 2-45
Panel, Rear Upper W/Label, 2-37
Panel, Right Side W/Label, 2-45

Panel, 2-159
Pantograph Adapter Kit, 2-103
Pin Assy, Cyl, Lift, 3-5
Pin Assy, Cyl, Tilt, 3-5
Pin Assy, Roller, Hpr, 3-3
Pin Assy, Leg, Inside, 3-3
Pin Assy, Leg, Outsid, 3-3
Pin W/Label, 2-51
Pin Weldment, Safety Leg Lower, 2-49
Pin Weldment, Safety Leg Lower, 2-51
Pin Weldment, Safety Leg Upper, 2-51
Pin Wldt, Safety Leg, Lower, 3-5
Pin, Brush Plug, 2-19
Pin, Brush Lift, 2-21
Pin, Clevis Tensioner Conveyr, 2-41, 2-43
PIN, COTTER, 5-7
Pin, Cyl, Lift, 3-5
Pin, Cyl, Tilt, 3-5
PIN, DOWEL, 5-7
Pin, Hair Cotter, 3-19
Pin, Hinge, Lower, 2-5
Pin, Hinge, Upper, 2-5
Pin, Hinge, 3-21
Pin, Hyd Cyl, 2-45
Pin, Hydraulic Cylinder, 2-45
Pin, Kit Connecting 1.654 Chain, 2-39
Pin, Kit Connecting 1.654, 2-2
Pin, Leg, Inside, 3-3
Pin, Leg, Outside, 3-3
Pin, M8x20, 4-27
Pin, Rod Cyl, Lift, 3-5
Pin, Roller, Hopper, 3-3
Pin, Spring, 2-11, 2-13, 3-21
Pin, Hair Cotter 1.00D.178Wire, 3-9, 3-11, 3-43
Pin, Hinge, 3-13
Pin, Hyd. Cylinder, 2-129, 3-7
Pin, Spring Mount, 3-13
PIN, 5-11, 6-13
Pin, 2-5, 3-5, 4-5, 4-9, 4-13, 4-15, 4-17, 4-25
PIPE, AIR, 5-32, 6-33
PIPE, BREATHER, 5-37, 6-41
PIPE, FUEL, INJECTION #1, 5-31
PIPE, FUEL, INJECTION #2, 5-31
PIPE, FUEL, INJECTION #3, 5-31
PIPE, FUEL, INJECTION #4, 5-31
PIPE, FUEL, 5-43, 6-49, 6-52
PIPE, OIL, 5-13, 5-35, 6-15, 6-39, 6-45
PIPE, WATER, 6-37
PIPE, 5-43, 5-45
Pipe, 5-31, 6-35
Piston, 4-21, 4-25, 4-29
Pivot, 2-5
Pivot Shaft, Wiper, 2-103
Pivot Weldt, Tensioner, 2-41, 2-43
Pivot Wldt, Hopper Left, 2-45
Pivot Wldt, Hopper Right, 2-45
Pivot, Spring Guide, 3-13
Pivot, 3-21
Pivoting Hub, 4-19, 4-23
Planetary Gear, 4-27
Planetary Spherical Washer, 4-27

Plate Wldt, Cage, Rh, 2-7
 Plate Wldt, Slide Bearing, 2-39
 Plate Wldt, Support, Side, Lh, 2-9
 Plate Wldt, Support, Side, Rh, 2-7
 Plate Wldt, Upper Drive, 2-39
 Plate, Accumulator, 2-15, 2-17
 Plate, Arm, 2-21
 Plate, Backing, 2-125
 Plate, Bottom, Vario (Option), 2-117
 Plate, Brush Guide, 2-7, 2-9
 Plate, Cam, Lh, 2-43
 Plate, Cam, Rh, 2-41
 Plate, Conveyor Lower Rh & Lh, 2-39
 Plate, Cover, Fan Housing, 2-53
 Plate, Engine Door Latch, 2-41, 2-43
 Plate, Fan Housing, 2-53
 Plate, Filter Mount, 2-145
 Plate, Floor, 2-35
 Plate, Front Brush/Vario, 2-3
 Plate, Hyd Hose Mount, 3-9, 3-11, 3-19
 Plate, Hyd Line, 2-15, 2-17
 Plate, Hyd Valve Mount, 2-153
 Plate, Latch Cover, 2-109, 2-111
 Plate, Lid, Brush Drive, 2-19
 Plate, Motor Mount, 2-39
 Plate, Mount, Hyd Motor, 3-27
 Plate, Mounting, Pump, 2-23
 Plate, Pump Mount, 2 Bolt "C", 2-23
 Plate, Seal, Lower, 2-39
 Plate, Seal, Upper, 2-39
 Plate, Side Brush, 2-3
 Plate, Switch Blank, 3-39
 Plate, Switch, Upper, 2-115
 Plate, Tool Holder, 3-25, 3-54, 3-55
 Plate, Valve, 2-17
 Plate, Wear, 4-9
 Plate, Weldment Back, 2-37
 Plate, Water Trap, 2-25
 PLATE, 5-3, 5-11, 5-14, 5-28, 5-37, 6-5, 6-13, 6-16, 6-30, 6-37, 6-41
 Plate, 2-5, 2-39, 2-45, 2-115, 4-13, 4-15, 4-17, 4-19
 Plug (M18 x 1.5), 4-7
 Plug #10, 4-11
 Plug #4, 4-13, 4-15, 4-17
 Plug And Cap Kit, Hyd Ftg, 2-2
 Plug Housing, 4-10
 Plug, Brush Drive,, 2-19
 Plug, Brush Guide, 2-19
 Plug, Brush Idler, 2-19
 Plug, Cavity Cp, 4-37, 4-41, 4-49
 Plug, Dust, Cam Coupler, 2-157
 Plug, Gauge, 4-37, 4-41, 4-45, 4-49
 Plug, Housing, 4-11
 Plug, Orifice Cp, 4-37, 4-41, 4-53, 4-55
 Plug, Outlet, 3-63
 Plug, Panel Switch, 2-117
 Plug, Set Screw (Vario Brush only), 4-49
 PLUG, 5-3, 5-7, 5-9, 5-14, 5-23, 5-26, 5-29, 5-35, 5-37, 5-38, 5-44, 5-47, 6-5, 6-9, 6-11, 6-16, 6-25, 6-31, 6-37, 6-39, 6-41, 6-53

Plug, 4-5, 4-21, 4-25, 4-29, 4-37, 4-41, 4-45, 4-49, 4-53, 4-55, 4-59
 Plugbtn .75H .03-.12 Blacknyl, 3-39
 Plugbtn, 0.375H, .172, Blk, 3-39
 PLUNGER, 5-13, 6-15
 Port Block, 4-5
 PULLEY, ALTERNATOR, 5-21, 6-23
 Pulley, Belt, V, 3-41
 PULLEY, CRANK, 5-24, 6-26
 Pulley, Lift,Brush, 3-3
 PULLEY, 5-18, 6-20
 Pulley, 2-21
 Pump Breakdown, Cat, 4-33
 Pump Cover, 3-27
 Pump, Assy Lubrication, 3-63
 Pump, Cat 290 Press Wash (See Breakdowns), 3-27
 Pump, Hyd Double Gear, 2-147
 Pump, Hyd Gear 1.76 Cid (See Breakdowns), 2-147
 Pump, Hyd Gear 1.76 Cid, 4-8
 PUMP, INJECTION, FUEL, 5-31
 Pump, Piston (See Breakdowns), 2-147
 Pump, Piston, Rexroth, 4-5
 Pump, Water 12V (With Connectors), 2-157
 PUMP, WATER, 5-23
 Pump,Fuel, 2-23
 PUSHROD, 5-9, 6-11

R

R.H. Bracket, 2-5
 Race Thrust, 4-10, 4-11
 Race, Bearing, 4-9
 Rack, Filter Bag, 2-47
 Rack, Undercarriage, 3-13, 3-21
 Radiator (362mm), 2-27
 Rain Cap, Exhaust, 2-29
 Rear Axle Housing, 4-19
 Rear Cover Assembly, 4-7
 Rear Rubber Bumper Kit, 3-51
 Relay, 2-117
 RELIEF VALVE, 5-13, 6-15
 Repair Info, Motor, 4-13, 4-15
 Repair Info, Mtr, 4-10, 4-11, 4-17
 Repair Info, Pmp, 4-8, 4-60
 Repair Info, 4-9
 Repl. Kit, Pump, Hyd Gear, 2-147
 Replacement Kit, Controller, Micro, 2-125
 Replacement Kit, Door, Brush Lh, 2-9
 Replacement Kit, Door, Brush Rh, 2-7
 Replacement Kit, Side Brush Linkage, 2-129, 3-7
 Replacement Kit, Tank Recovery Coolant, 2-27
 Reservoir, Grease, 10lbs, 3-63
 Resistor, Block, 2-123
 Retainer, Check, 4-9
 Retainer, Front Ends SBDC, 2-159
 Retainer, Grease, 2-39
 Retainer, Hoses, 2-5
 Retainer, Side Skirt,Brushdoor, 2-7, 2-9

Retainer,Skirt, 2-129
 RETAINER, 5-3, 6-5
 Retainer, 2-7, 2-9, 2-159
 Retaining Ring, 30 Dia, 2-19
 Retaining Ring, 62 Dia, 2-19
 Retaining Ring, M16, 2-129, 3-7
 Retaining Ring, 2-21, 4-5, 4-27
 Ring Gear, Matched Pinion, 4-27
 Ring, Lock, 3-5
 Ring, Retaining Ext 25Mm, 3-13
 Ring, Retaining, 3-3, 3-21, 4-9
 Ring, Seal, 2-29
 RING, 5-23, 6-25
 Ring, 4-31
 Rivet, Blind, .188d X 0.45 X .38d, Ss, 2-37
 Rivet, Pop .156Dx.710x.312Dhd, 2-7, 2-9, 2-45
 Rivet, 2-7, 2-9
 ROCKERSHAFT ASSY, 6-11
 ROCKERSHAFT, 5-9, 6-11
 Rod End Pivot Lh, 4-19, 4-23
 Rod End Pivot Rh, 4-19, 4-23
 Rod End,16Mm, 2-45
 Rod End, 4-19, 4-23
 Rod Link, Brush Support Adj, 2-7, 2-9
 Rod Wldt, Filter Bag, 2-47
 Rod, Cam Latch Relea, 2-109, 2-111
 Rod, End, Cyl,Tilt, 3-5
 Rod, Inside Release, 2-109, 2-111
 Rod, Lock, Rh, 2-111
 Rod, Thrd, 2-127
 Roller, Guide, 2-41, 2-43
 Roller, Hopper, 3-3
 Rotary Group, 4-5, 4-7
 Rubber, Window, 2-109, 2-111

S

Saddle, U-Bolt, 2-11, 2-13
 Santoprene DiaphKit, 2-157
 Satellite Gear, 4-27
 Satellite Spherical Washer, 4-27
 Scr Flt M 8x1.25 20, 2-37
 Scr Hex M 8x1.25 20, 2-37
 Scr Hex M 8x1.25 25, 2-37
 Scr Hexssm 6x1.0, 2-37
 Scr Hexssm 8x1.25 30, 2-37
 Scr, Hex M16x2.0x100, 3-9, 3-11
 Screw Hex .38-16x.75, 2-11, 2-13
 Screw Hex M08, 2-27
 Screw Hex M12X1.75X40, 3-64
 Screw Hex.38-16x 1.25, 2-11, 2-13
 Screw M10x16, 4-19
 Screw, Bleed, 4-21, 4-25
 Screw, Cap, 4-8, 4-10, 4-11, 4-17
 Screw, Hex m06, 2-17
 Screw, Hex M06x1.0x16, 3-61
 Screw, Hex M06x1.0x20, 3-61
 Screw, Hex M20x2.5x1.20, 2-39
 Screw, Hex SSM 12x1.75, 2-39
 Screw, Hex, .38-16 X 1.25, Ss, 2-39
 Screw, Hex, .44-20 X 1.00, 5, 3-41
 Screw, Hex, M 6 X 1.0 X 20, 2-7, 2-9

CROSS REFERENCE

- Screw, Hex, M 8 X 1.25 X 20, 2-7, 2-9
Screw, Hex, M 8 X 1.25 X 25, 2-7, 2-9
Screw, Hex, M 8 X 1.25 X 30, 2-7
Screw, Hex, M06 X 1.0 X 25, 8.8, 2-27
Screw, Hex, M08-1.25 X 30, Ss, 2-39
Screw, Hex, M10 X 1.5 X 20, 8.8, 3-3
Screw, Hex, M10 X 1.5 X 25, 8.8, 3-3
Screw, Hex, M10-1.5 X 50, 8.8, 2-38
Screw, Hex, M12 X 1.75 X 45, 8.8, 2-39
Screw, Hex, M12 X 1.75 X 60, 2-39
Screw, Hex, M12 X 1.75 X 70, 8.8, 3-66
Screw, Hex, M12-1.75 X 40, 8.8, 4-29
Screw, Hex, M14 X 1.5 X 130, 3-11, 3-19
Screw, Hex, M20 X 2.5 X 50, 8.8, 3-3
Screw, Hex, 2-39, 3-19, 3-41
Screw, M10x1.5, 4-27
Screw, M10x30, 4-19
Screw, M12x20, 4-27
Screw, M12x30, 4-19, 4-23, 4-27
Screw, M12x40, 4-19, 4-23
Screw, M14x1.5x40, 4-27
Screw, M8x50, 4-19, 4-23
Screw, Pan, .25-20 X 1.00, Ss, 2-109, 2-111
Screw, Pan, 2-125
Screw, Plastic Rivet, 2-115
Screw, Set .38 in, 3-27
Screw, Set, 4-9
Screw, Soc, M 8 X 1.25 X 60, 12.9, 3-3
Screw, Soc, M 8 X 1.25 X 60, 3-5
Screw, Soc, M10-1.5 X 25, Al, 4-29
Screw, Switch Assy, 2-127
Screw, .25-20X.75Blk, 2-119
SCREW, 5-3, 5-5, 5-7, 5-9, 5-11, 5-13, 5-14, 5-18, 5-21, 5-23, 5-25, 5-26, 5-28, 5-31, 5-33, 5-35, 5-37, 5-38, 5-41, 5-43, 6-5, 6-7, 6-9, 6-11, 6-13, 6-15, 6-16, 6-20, 6-23, 6-25, 6-27, 6-28, 6-30, 6-33, 6-35, 6-37, 6-39, 6-41, 6-43, 6-45, 6-47, 6-49, 6-51
Screw, 2-115, 3-3, 4-10, 4-11, 4-21, 4-25
Seal Kit, 15ft., 2-159
Seal Kit, Cart. Cp, 4-47, 4-53, 4-55
Seal Kit, Cart, 4-37, 4-39, 4-41, 4-43, 4-45, 4-47, 4-49, 4-51
Seal Kit, Cartridge, 4-57, 4-59
Seal Kit, Coil, 4-37, 4-39, 4-41, 4-43, 4-45, 4-47, 4-49, 4-51, 4-53, 4-55, 4-57, 4-59
Seal Kit, Cylinder, 4-19, 4-23
Seal Kit, Motor A/H-Stnd, 4-10, 4-11
Seal Kit, Mtr, 4-13, 4-15
Seal Kit, Scu, 4-9
Seal Kit, 4-5
Seal Kit, 2-41, 2-43, 2-49, 4-7, 4-8, 4-17
Seal, Brush Door, 2-2, 2-7
Seal, Brush, Door, 2-9
Seal, Bulb, 90 Deg., 2-109, 2-111
Seal, Cab, 2-115
Seal, Connector, 60 Pin, 2-125
Seal, Dust, 2-19
Seal, Oring, 3-41
Seal, Shaft, 2-39, 2-45
Seal, Str W/.75 Bubble 52"Lg, 2-159
Seal, Vertical, 2-7, 2-9
Seal, Weatherstrip, 2-121, 3-41
Seal, Brush Door, 2-7, 2-9
Seal, Bulb, 2-27
Seal, Conveyor Tower, 2-41, 2-43
Seal, Conveyor, 2-37
Seal, Foam Rad/Coolr. 25X.75X28, 2-27
SEAL, 5-3, 5-7, 5-11, 5-14, 5-37, 5-48, 6-3, 6-5, 6-9, 6-13, 6-16, 6-35, 6-41, 6-54
Seal, 2-7, 2-9, 3-61
SEALANT, 5-38
Seat Belt, Blk, Retr, 2-113
Seat, Check Ball, 4-9
SEAT, 5-13, 6-15
Seat, 2-117
SEND-UNIT, 5-31
Sender, Water Temp, 2-23
Sending Unit, Fuel Tank, 2-25
Sending Unit, 2-23
Sensor, Directional Level (High Dump only), 2-117
Sensor, Magnetic Pickup, 2-23
Sensor, Speed, 2-13
Separator, Filter Bag, 2-47
Service Manual Pkg 830, 3-67
Shaft, 4-5
Shaft Bearing Kit, 4-17
Shaft Seal, 4-7
Shaft Wldt, Lower, 2-39
Shaft Wldt, Upper, 2-38
SHAFT, CAM, 5-11
Shaft, Output, 4-10
SHAFT, ROCKER, 5-9
Shaft, Side Brush, 2-129, 3-7, 3-65
Shaft/Brg Kit, 4-13, 4-15
SHAFT, 5-13, 6-15
SHIELD, 5-11, 6-13
Shim 18Ga, Bearing Mount, 2-39
Shim, Lower Shaft, 2-39
SHIM, 5-9, 6-11
Shim, 4-7
SHORT ENGINE, 6-3
Shroud Assembly (Left Sidebrush Shroud Assy Optional), 2-159
Shroud, Instrument, 2-115
Shroud, Radiator, L.H., 2-27
Shroud, Radiator, Lower, 2-27
Shroud, Radiator, R.H., 2-27
Shroud, Radiator, Upper, 2-27
Shroud, Side Modified (When no Sidebrush is used), 2-159
Shroud/Bez, Instmt, Purch Kit, 2-115
Shutter, Vacuum, 2-45
Side Brush Light R.H., 2-119
Sitrip, Large Step, 3-56
Skid Kit, Carbide, Rh & Lh, 2-7, 2-9
Skid Weld't, Carbide Lh, 2-7, 2-9
Skid Weld't, Carbide Rh, 2-7, 2-9
Skirt Kit, Front (With 5 U-Nuts) (Dry Dust Control), 2-2
Skirt Kit, Front Dust Control, 2-159
Skirt Kit, S. B. (1 Per Side With 5 U-Nuts) (Dry Dust Control), 2-2
Skirt Kit, Side Brush, 2-159
Skirt, .25T3.0W11.0L 4/31Hcomc, 3-48
Skirt, Conveyor Lip, 2-2
Skirt, Conveyor Side, 2-2, 2-37
Skirt, Conveyor, Lip, 2-37
Skirt, Dust Containment (1 Per Side With 2 U-Nuts) (Dry Dust Control), 2-2
Skirt, Dust Containment, 2-159
Skirt, Dust, Rear, 2-2
Skirt, Rear Dust, 2-9
Skirt, Rubber, 2-129
Skirt, Side Deflector, 2-37
Skirt, Side Deflectors, 2-2
Sleeve, Motor, 4-29
Sleeve, Brass 05com, 3-63
Sleeve, Ferrule .188 Dia, 3-63
Sleeve, Ferrule .312, 3-63
Sleeve-Nylon #20 20.0L, 3-25
SLEEVE, 5-21, 6-23, 6-35
Sludge Removal Tool Assy., 3-48
Snap Ring, 4-5, 4-7
Snap, Chain 0.25 Dia X 2.4, 3-43
Solenoid, 12V, 4-45, 4-47, 4-49
Solenoid, 12vdc, Valve, Hyd, 4-51
SOLENOID, 5-31
Spacer Plate, 4-10, 4-11
Spacer, Door, Upper, 2-105, 2-107
Spacer, Hex. .75x1.0 Long, 2-39
Spacer, Strap, 2-39
Spacer, Hyd.Pivot, 3-9, 3-11
SPACER, 5-3, 5-21, 5-35, 6-23, 6-37, 6-39
Spacer, 3-19, 3-66, 4-19, 4-21, 4-23, 4-25, 4-27
Spring Kit, Centering, 4-9
Spring Kit, Side Brush, 3-64
Spring, Belleville, 3-13
Spring, Bellville, 3-21
Spring, Brush Lift, 2-21
Spring, Ext Conveyor Tension, 2-41, 2-43
Spring, Extension 1.18X.25X4.8, 2-41, 2-43
Spring, Front Leaf, 2-13
Spring, Inner, 4-29
Spring, Outer, 4-29
Spring, Overload Switch, 2-49
Spring, Rear Leaf, 2-11
Spring, Tension 30X5.5X149, 3-64
Spring, Exhaust, 2-29
SPRING, 5-3, 5-7, 5-9, 5-13, 5-37, 6-5, 6-9, 6-11, 6-15, 6-41
Spring, 2-129, 3-7, 3-9, 3-11, 3-19, 4-13, 4-15, 4-17, 4-21, 4-25
Sprocket, 15 Tooth, 1.64 Pitch Dia., 2-38
STARTER MOTOR (see breakdown), 5-16, 6-18
STARTER MOTOR, 5-17, 6-19
Static Strap, 2-125
Steering Column Switch, 2-127
Steering Housing, 4-19
Steering Lever, Lower, Lh, 4-19
Steering Lever, Lower, 4-19, 4-23

Steering Lever, Rh, Lower, 4-23
 Steering Lever, Rh, Upper, 4-19
 Steering Rod Front, 4-23
 Steering Rod Rear, 4-19
 Steering Unit, Hyd Q-Amp, 2-127
 Step Wldt, 2-5
 Step, Large Folding, 3-56
 Stop Screw, 4-7
 Strap, Lower, 2-39
 Strap, Upper, 2-39
 Strap, Vacuum Wand, 3-43
 Strap, 2-27
 Strip, Backup Main Uhmw, 2-37
 Strip, Backup Uhmw, 2-37
 Strip, Retainer Paddle, 2-39
 Strip, Retainer Skirt, 2-7, 2-9
 Strip, Retainer, Upper, 2-7, 2-9
 Strip, Retainer, Vertical, 2-7, 2-9
 Strip, Rub Nylon, 3-43
 Strip, Rubber Paddle, 2-2
 Strip, Rubber, Long, 2-25
 Strip, Rubber, Short, 2-25
 Strip, Rubber, 2-39
 Strip, Seal Conveyor, 2-37
 Strip, Seal, Conveyor, Lower, 2-37
 Strip, Sprocket Upper, 2-39
 Strip, .11T2.5W10.0L 4/.31Hcomc, 3-48
 Strip, Retainer Conveyor, 2-37
 Stroking Piston Assembly, 4-5
 Stroking Piston Cover, 4-5, 4-7
 Stud, M12 X 200, 2-43
 Stud, M12 X 90, 2-41
 STUD, 5-9, 5-16, 5-19, 5-29, 5-31, 5-39,
 5-40, 6-11, 6-13, 6-18, 6-21, 6-25,
 6-31, 6-35, 6-45, 6-46
 Stud, 4-21, 4-25
 SUMP, 5-35, 6-39
 Sun Visor, 2-119
 Support Weldt, Engine, 2-23
 Support Wldt, Brush Door Lh, 2-9
 Support Wldt, Door Rh, 2-7
 Support Wldt, 2-35
 Support, Circuit Board (Vario only), 2-117
 Support, Circuit Board, 2-115
 Support, Eng Fan, Side, Front, 2-23
 Support, Maintenance, Lift W/Label, 3-5
 Support, Seat, Drive, 2-107
 Support, Vacuum Hose, 3-43
 Support, Engine Fan Side Rear, 2-23
 Support, Engine Flywheel, 2-23
 Support, Radiator & Fan Shroud, 2-27
 Switch (Option), 2-117
 Switch Assembly, Pressure, Hyd, 2-149,
 2-155
 Switch Assy, Roller-No, 2-49
 Switch Kit, Spst, 3-57
 Switch, Assy Turn/Lights, 2-127
 Switch, Assy Wipers, 2-127
 Switch, Brakelight, 2-15
 Switch, Cold Control, 3-41
 Switch, Engine Shutdown, 2-117
 Switch, Fan, 3-Speed, 2-121, 3-41
 Switch, Key, Steering Column, 2-127

Switch, Level Sensor, 2-157
 Switch, Lights, 4-way Warning, 2-117
 Switch, Lights, 2-117
 Switch, Micro, 2-45, 2-49, 3-47
 Switch, Paddle Rocker DPDT, 2-117
 Switch, Parking Brake, 2-117
 Switch, Press, 12vdc A Spst No 0060psi,
 2-17
 Switch, Pressure, 3-41
 Switch, Rocker DPDT Momentary (Option),
 2-117
 Switch, Rocker SPDT on-off-on (Option),
 2-117
 Switch, Vacuum Indicator, 2-31, 2-33
 SWITCH, 6-33
 Switch, 3-3
 Swivel Orifice Kit, 4-7

T

T-Handle, Latch 5", 2-7, 2-9
 Taillight, Lh w/Connector, 2-5
 Taillight, Rh w/Connector, 2-5
 Tank, Hyd Oil, 2-145
 Tank, Hyd, 2.5 Qt Vol, 2-27
 TAPPET, 5-9, 6-11
 Tee, .50Bx.50Bx.50B, 2-157
 Tee, .50Fx.50Fx.50F, 2-157, 3-25
 Tee, Water Spray (Wet Dust Control), 2-2
 Tee, Water Spray, 2-157
 Terminal, Metripk280, Fem 16, 3-61
 Terminal, 3-61
 Thermostat Assembly, 155 Deg, 2-45
 THERMOSTAT, 5-23, 6-25
 THIMBLE, 5-3, 5-5, 5-13, 6-5, 6-15
 Thru Drive Charge Pump Assembly, 4-5
 Thrust Bearing, 4-10, 4-11
 Thrust Bushing, 4-27
 THRUST WASHER, BOTTOM, 5-5
 THRUST WASHER, top, 5-5
 THRUST WASHER, 6-7
 Tie Rod, Hopper Support, 2-51
 Tie, Cable 15.25 Lg, 3-25
 Tie, Cable 6.0 Lg, 3-25
 Tie, Cable, Nyl, 28.5l .50w 8.0 Max D,
 2-27, 3-43
 Tie, Cable, 2-17
 Tilt, Maintenance, Stand W/Label, 3-5
 Timer, 3-63
 TIMING CASE, 5-11, 6-13
 Tire & Rim Assy, (Bias Ply), 2-11, 2-13
 Tire & Rim Assy, (Radial), 2-11, 2-13
 Tire Assy, Foam Filled, (Bias Ply), 3-49
 Tire Assy, Foam Filled, (Radial), 3-49
 Tire, 7.00X12 Hd Rib Lug, (Bias Ply), 2-11,
 2-13
 Tire, 7.00X12, (Radial), 2-11, 2-13
 TOP, 6-3, 6-7
 Tower Wldt, Conveyor, Lh, 2-43
 Tower Wldt, Conveyor, Rh, 2-41
 Trough, Weldment Conveyor, 2-37
 Tube, Fuel Line, Lower, 2-25
 Tube Assy, Return, 2-25

Tube Wldt, Support, Rear, 3-43
 Tube, 00.62d 00.47b 00.8l Stl, 3-65, 3-66
 Tube, 2.5x6L, 2-29
 Tube, Air Intake 3", 2-31
 Tube, Bleed-off Line (Waste Gated Turbo),
 2-25
 Tube, Brake Front, Lh, 2-15, 2-17
 Tube, Brake, Rear, Lh, 2-11
 Tube, Brake, Rear, Rh, 2-11
 Tube, Brake, Front, Rh, 2-15, 2-17
 Tube, Coupler Vac Wand, 3-45
 Tube, Fuel Line, 90, 2-25
 Tube, Fuel Line, Upper, 2-25
 Tube, Fuel Line, 2-25
 Tube, Fuel line, 2-25
 Tube, Mirror, 2-109, 2-111
 Tube, Plstc 5/16 Od, 3-63
 Tube, Plstc, W/Grease .188 Od X 15 Ft,
 3-63
 Tube, Vac Wand Door, 3-47
 Tube, Tire 7.00X12, (Bias Ply), 2-11, 2-13
 TUBE, 5-35, 6-39
 Tube, 2-31, 2-33, 2-129, 3-5, 3-7
 TURBOCHARGER, 6-42

U

U Bolt, 2-127
 U-Bolt, Front Spring, 2-13
 U-Bolt, Rear Spring, 2-11
 U-Nut M6x 1.0, 2-115
 U-Nut, 10mmx1.25x0.75in, 2-5
 UNION NUT, 5-32, 5-43, 5-45, 6-49, 6-52
 Upper Housing, 2-157

V

Valve Drive, 4-13, 4-15, 4-17
 Valve Plate, 4-13, 4-15, 4-17
 Valve Stem 3W2P Cp, 4-53, 4-55
 Valve Stem 3W2P, 4-37, 4-39, 4-41, 4-43,
 4-45, 4-49, 4-51
 Valve Stem 4W2P Cp, 4-53, 4-55
 Valve Stem 4W2P, 4-37, 4-41
 Valve Stem N.O. Cp, 4-37, 4-41
 Valve Stem, NC, 4-59
 Valve Stem, NO, 4-59
 Valve Stem, 4-37, 4-39, 4-41, 4-43, 4-45,
 4-47, 4-49, 4-51, 4-57
 Valve, 3P4W Do3 Cp, 4-35, 4-45
 Valve, Ball Hycon, 2-13
 Valve, Brake, 2-15, 2-17
 Valve, Check, Vonberg, 2-145
 VALVE, EXHAUST, 5-7, 6-9
 Valve, Hyd Cntrl Sol - Vario, 4-53
 Valve, Hyd Cntrl Sol (See Breakdowns),
 2-15
 Valve, Hyd Cntrl Sol - Vario (See
 Breakdowns), 3-15, 3-17, 3-23
 Valve, Hyd Cntrl Sol - Vario, 4-35
 Valve, Hyd Cntrl Sol-Press Wash (See
 Breakdowns), 3-29

CROSS REFERENCE

Valve, Hyd Cntrl Sol, 4-45, 4-47, 4-49,
4-51, 4-55, 4-57
Valve, Hyd Control Sol (See Breakdowns),
2-149
Valve, Hyd Control Sol-Hopper (See
Breakdowns), 2-151
Valve, Hyd Control Sol-Sb (See
Breakdowns), 2-153
Valve, Hyd Control Sol, 4-37, 4-39, 4-41,
4-43
Valve, Hyd., Brake, Parking (See
Breakdowns), 2-17
Valve, Hyd, Solenoid, 4-59
Valve, Hydraulic Steering, 4-9
VALVE, INLET, 5-7, 6-9
Valve, Metering #0, 3-63
Valve, Metering #1, 3-63
Valve, Metering #2, 3-63
Valve, Metering #3, 3-63
Valve, Metering #8, 3-63
Valve, Relief, 3-63
Valve, Speed Control, 2-147
Valve, Steering Dual Accumulator, 2-155
Valve, Thermal Expansion, 3-41
Valve, Unloader, 3-25
Valve, Vac Wand Spray .50F, 2-157
Valve, Water Shut-off, Manual, 2-27
Valve, Water Spray, 2-157
Valve, Water, 2-121, 3-41
VALVE, 5-3, 6-5
Valve, 4-13, 4-15, 4-17
Vlv, Thermostat Cp, 4-45

W

Washer Flt .31, 2-27
Washer Flt .50 SAE, 3-64
Washer Flt 08, 2-45
Washer Hard Flat .50, 2-41, 2-43
Washer m06, 2-17
Washer, .532 Bx2.13x.11 HR ZNC, 2-11
Washer, .532 Bx2.13x.11 HR ZNC, 2-13
Washer, 0.53b 2.13d .11, Stl, Pl, 2-11
Washer, 2.250x.812x.250, 2-21
Washer, A6, 4-27
Washer, Belleville, .38, 2-38
Washer, Belleville, M06, 2-7, 2-9
Washer, Belleville, M08, 2-7, 2-9
Washer, Belleville, M10, 3-3
Washer, Belleville, M12, 2-39
Washer, Bellville, 3-41
Washer, Brakeline, 2-11
Washer, Cyl Head, 2-41, 2-43
Washer, Flat, .25 Fender, 2-159
Washer, Flat, .50 Sae, 3-66
Washer, Flat, 0.25 Std, 2-7, 2-9
Washer, Flat, 0.38 Std, 2-39, 3-3
Washer, Flat, M08 Fender, 2-7, 2-9
Washer, Flat, 3-3
Washer, Flt, .25 Sae, 2-27
Washer, Flt, 3-61
Washer, Lock, Int, .38, 3-3
Washer, Mounting, Spring, 3-13

Washer, Sealing, 5-31, 6-35
Washer, Shperical, 2-43
Washer, Special, 2-5, 2-23
Washer, Spherical, 2-41
Washer, Thrust 32.1x50.8x3.2, 2-21
Washer, Valve Stem Slot, 2-13
Washer, Hyd. Motor, 3-13
Washer-Belleville .31, 2-37
WASHER, 5-3, 5-7, 5-9, 5-11, 5-13, 5-15,
5-21, 5-26, 5-31, 5-37, 5-43, 5-44,
5-47, 5-48, 6-5, 6-9, 6-11, 6-13, 6-15,
6-17, 6-23, 6-28, 6-35, 6-41, 6-45,
6-49, 6-53, 6-54
Washer, 2-5, 2-11, 2-13, 2-15, 2-17, 2-115,
3-3, 3-13, 3-21, 4-19, 4-21, 4-23,
4-25, 4-27
WATER PUMP, 6-25
Water Tank , 2-157
Weldt, Lower Hinge, 2-105
Weldt, Mount, Strike, 2-103
Weldt, Upper Hinge, 2-105
Wheel, Steering, 2-127
Wheel, 2-11, 2-13
Window Clip, Glued-I, 2-103
Window, Front, 2-103
Window, Lower Door, 2-109, 2-111
Window, Sliding, Lh, 2-109
Window, Sliding, Rh, 2-111
Wiper Motor, 12V, Lh, 3-39
Wire Assy, 20.0 Lg, 6 Ga, Red, 2-35
Wire Assy, 22.0 Lg, 2 Ga, Neg, 2-35
Wire Assy, 36.0 Lg, 4 Ga, Blk, 2-35
Wire Assy, 48.0 Lg, 2 Ga, Blk, 2-35
Wire Assy, 48.0 Lg, 2 Ga, Pos, 2-35
Wire, Jumper (Low Dump), 2-77
WIRE, 6-35
Wire, 5-31
Wldt, Accelerator Pe, 2-119
Wldt, Lower Hinge, R, 2-107
Wldt, Seat Pedestal , 2-105
Wldt, Steer Console, 2-103
Wldt, Upper Hinge, R, 2-107
WOODRUFF KEY, 5-5, 5-11, 6-7, 6-13

Y

Yoke, M12, 2-41, 2-43



We Need Your Help...

As part of Tennant's Zero Defects Program, we want to know about errors you have found or suggestions you may have regarding our machine manuals. If you find an error or have a suggestion, please complete this postage-paid form and mail it to us. Thank you for helping us make zero defects a way of life at Tennant.

Manual No. _____ Rev. No. _____ Publish Date _____ Page _____
Machine _____ Report Error Suggestion

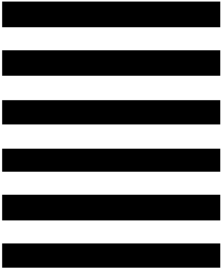
Name _____ Date _____
Customer Number _____
Company _____
Address _____
City/State/Zip Code _____



TENNANT COMPANY
 Technical Publications #15
 701 North Lilac Drive
 P.O. Box 1452
 Minneapolis, MN 55440-9947

POSTAGE WILL BE PAID BY ADDRESSEE

BUSINESS REPLY MAIL
 FIRST CLASS MAIL PERMIT NO. 94 MINNEAPOLIS, MN



NO POSTAGE
 NECESSARY
 IF MAILED
 IN THE
 UNITED STATES



Fold along dotted lines

Tape here





We Need Your Help...

As part of Tennant's Zero Defects Program, we want to know about errors you have found or suggestions you may have regarding our machine manuals. If you find an error or have a suggestion, please complete this postage-paid form and mail it to us. Thank you for helping us make zero defects a way of life at Tennant.

Manual No. _____ Rev. No. _____ Publish Date _____ Page _____
 Machine _____ Report Error Suggestion

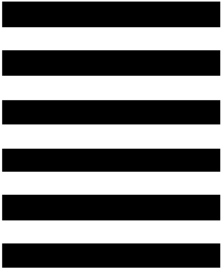
Name _____ Date _____
 Customer Number _____
 Company _____
 Address _____
 City/State/Zip Code _____



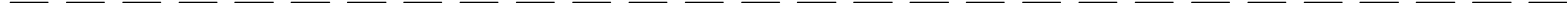
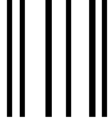
TENNANT COMPANY
 Technical Publications #15
 701 North Lilac Drive
 P.O. Box 1452
 Minneapolis, MN 55440-9947

POSTAGE WILL BE PAID BY ADDRESSEE

BUSINESS REPLY MAIL
 FIRST CLASS MAIL PERMIT NO. 94 MINNEAPOLIS, MN



NO POSTAGE
 NECESSARY
 IF MAILED
 IN THE
 UNITED STATES



Fold along dotted lines

Tape here

