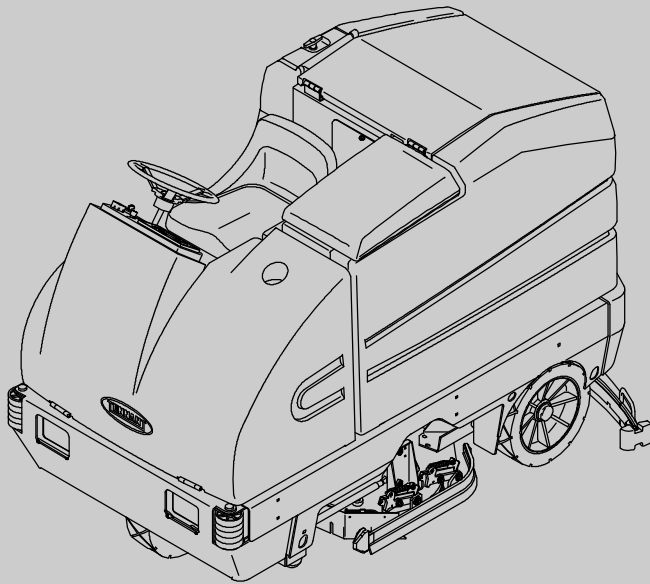
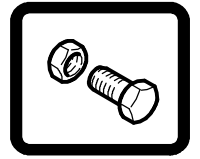




# 7300

(Battery)

## Rider Scrubber Parts Manual



***FaST***  
Foam Scrubbing Technology

**The Safe Scrubbing Alternative®**

**ES® Extended Scrub System**

**TennantTrue™ Parts and Supplies**



**North America / International**

[www.tennantco.com](http://www.tennantco.com)

**330610**  
**Rev. 15 (3-2011)**



When ordering replacement parts, use the illustrated parts list section in this manual. Before ordering parts or supplies, be sure to have your machine model number and serial number available. Only use TENNANT Company supplied or equivalent parts. Parts and supplies may be ordered online, by phone, or mail from any authorized parts and service center, distributor or from any of the manufacturer's subsidiaries.

This machine will provide excellent service. However, the best results will be obtained at minimum costs if:

- The machine is operated with reasonable care.
- The machine is maintained regularly - per the machine maintenance instructions provided.
- The machine is maintained with manufacturer supplied or equivalent parts.

---

## MACHINE DATA

---

Please fill out at time of installation for future reference.

Model No.- \_\_\_\_\_

Serial No.- \_\_\_\_\_

Machine Options - \_\_\_\_\_

Sales Rep. - \_\_\_\_\_

Sales Rep. phone no. - \_\_\_\_\_

Customer Number - \_\_\_\_\_

Installation Date - \_\_\_\_\_

### Machine Data Plate



**Tennant Company**  
PO Box 1452  
Minneapolis, MN 55440  
Phone: (800) 553-8033 or (763) 513-2850  
[www.tennantco.com](http://www.tennantco.com)

Thermo-Sentry, SmartRelease, SuperScrub, and MaxPro are US registered and unregistered trademarks of Tennant Company.

Specifications and parts are subject to change without notice.

Copyright © 2000 - 2002, 2004 - 2011 TENNANT Company, Printed in U.S.A.

## HOW TO USE THIS MANUAL

This section on *HOW TO USE THIS MANUAL* will tell you how to:

- Find important machine information for ordering correct repair parts.
- Find TENNANT part numbers.
- Order TENNANT parts and supplies.

### IMPORTANT INFORMATION

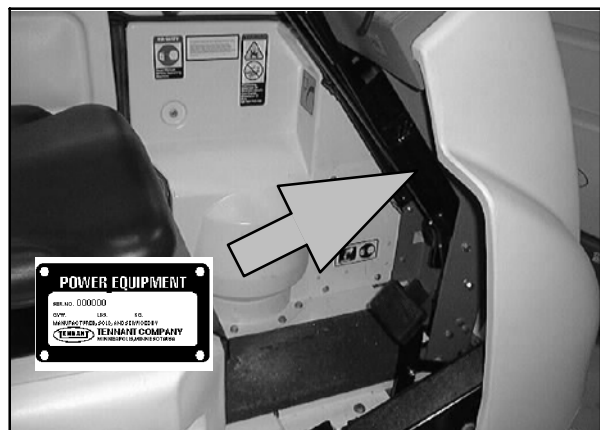
When placing an order for parts, the machine model and machine serial number are important. Refer to the *MACHINE DATA* box which is filled out during the installation of your machine. The *MACHINE DATA* box is located on the inside of the front cover of this manual.

MACHINE DATA - MASCHINEN-DATEN - DONNEES CONCERNANT LA MACHINE	Bitte bei der Installation der Maschine ausfüllen. Vor der Bestellung von Ersatzteilen eintragen.
Machine Model Number - 7300	Maschinen Modell - 7300
Machine Serial Number - _____	Número de serie de la máquina - _____
Machine Options - _____	Maschinen Optionen - _____
TENNANT Representative Name - _____	TENNANT Vertretung (CFL für 2) - _____
Customer ID Number - _____	Número d'identificación del cliente - _____
Date of Installation - _____	Fecha de instalación - _____
Manual Number - 330610	Número del manual - 330610
Revision: 00	Edición: 00
Print Number: 00	Impresión: 00
Published: 5-00	Ausgabe: 5-00
Date of Publication: 6-00	Fecha de publicación: 6-00

The model number of your machine is on the side of the machine.



The serial number of your machine is printed on the machine data plate located as shown.



# HOW TO USE THIS MANUAL

## FINDING A TENNANT PART NUMBER

This manual contains the following sections:

- HOW TO USE THIS MANUAL
- STANDARD PARTS
- OPTIONS
- BREAKDOWNS
- CROSS REFERENCE

The STANDARD PARTS section lists repair parts for standard machines. They are grouped in this general order:

- General wear parts.
- Machine frame and related parts.
- Machine propelling system.
- Scrubbing components.
- Electrical parts.

The OPTION section lists repair parts of options.

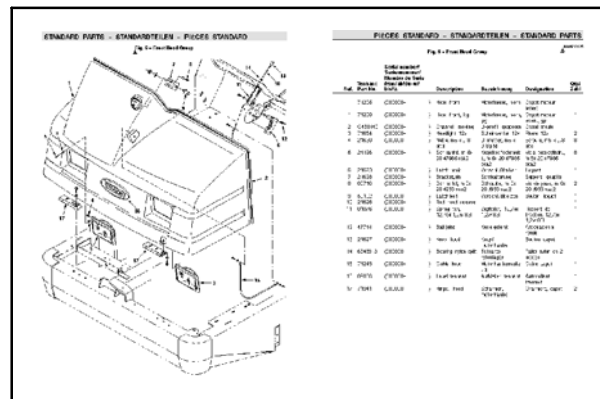
The BREAKDOWN section lists available repair parts of major components.

All sections in this manual consist of parts illustrations and corresponding parts lists.

The parts illustrations are numbered with **Ref** numbers which refer to corresponding parts lists.

The parts lists include a number of columns of information:

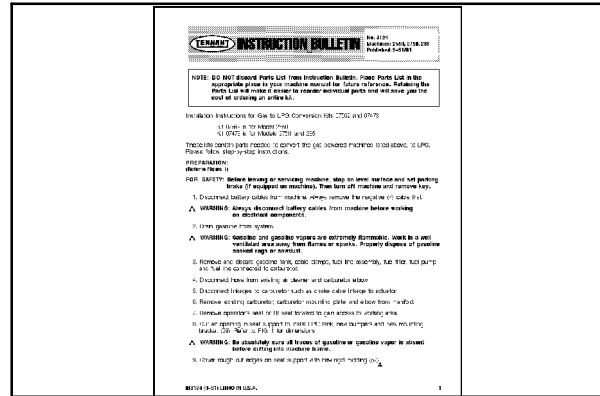
- **Ref** - column refers to the reference number on the parts illustration.
- ▽ - indicates the part is an assembly.
- ▲ - indicates the part is included in the assembly listed just before it.
- **TENNANT Part No.** - column lists the TENNANT part number for the part.
- **Serial Number** - column indicates the set of machines the part number is applicable to. Serial numbers change when the machine design has been modified. The most current design of the machine is shown in the main illustration, older designs are boxed in a corner of the illustration.
- **Description** - column is a brief description of the part.
- **Qty.** - column lists the quantity of that part used in that area of the machine.



Ref.	Tennant Part No.	Serial number/ Seriennummer/ Número de Serie from/ab/du-to/ bis/à	Description	Bezeichnung	Designation	Qty/ Zahl
▽	1 87365	(000000-)	Gearbox	Getriebe	Boîte de vitesses	1
▲	2 87040	(000000-)	O-ring	O-ring	Joint torique	2
▲	3 87041	(000000-)	Flug	Stopfen	Dou-chon	2
▲	4 87839	(000000-)	Flg-ansa, 106.997	Schmier-nippel, 106.997	Graisseur, 106.997	2
▲	6 87849	(000000-)	Driving gear	Getriebe	Mécanisme d'entraînement	1
▲	6 12640	(000000-)	Bolt, wheel	Radbolzen	Boulon roue	6
▲	7 81791	(000000-)	Bearing and housing	Lagergehäuse	Boîtier roulement	1
6	12646	(000000-)	Seal o-ring	O-ring-dichtung	Joint torique d'étanchéité	1
9	80198	(000000-)	Motor, traction 36v	Motor traction 36v	Motor traction 36v	1
10	02076	(000000-)	Cover, terminal ung	Batteriepolabdeck- ung	Cache pole batterie	4

**NOTE:** If a service kit is installed on your machine, be sure to keep the **INSTRUCTION BULLETIN** which came with the kit. It contains repair parts numbers needed for ordering future parts.

**NOTE:** Fasteners used in this machine may be metric or non-metric. Take care when replacing hardware to replace with same thread size.



## PLACING AN ORDER

Orders may be placed by phone, fax, or by mail. Phone orders may need written confirmation. Follow the steps below to insure prompt delivery:

1. Identify the model number of your machine.
2. Identify the serial number of your machine.
3. Find the part number of the part you need. Do not order by page number or reference number. If you are not able to find the part number, call your TENNANT representative for help or send the old part as a sample.
4. Determine the quantity of the part you need.
5. Provide the following company information:
  - Company name
  - Customer ID Number
  - Shipping address
  - Billing address
  - First and last name of person ordering parts
  - Telephone number
  - Purchase order number
6. Provide definitive shipping instructions.

## HOW TO USE THIS MANUAL

---

Any claim for loss or damage to a shipment in transit should be filed promptly with the transportation company making the delivery. Shipments will be complete unless the packing list or order acknowledgement indicates items back ordered.

If parts received are suspected to be incorrect or defective, please contact the TENNANT representative from whom you ordered the part. They will give authorization for return and/or handle replacement shipments when required.

## SECTION 2

Contents	Page
Fig. 1 - General Recommended Maintenance Items .....	2-2
Fig. 2 - Brushes, Replacement for MaxPro 1000 .....	2-4
Fig. 3 - Brushes, Replacement for MaxPro 1200 .....	2-6
Fig. 4 - Main Frame Group .....	2-8
Fig. 5 - Covers Group, Front .....	2-10
Fig. 6 - Covers Group, Rear .....	2-12
Fig. 7 - Electrical Instrument Panel Group .....	2-14
Fig. 8 - Steering Group .....	2-16
Fig. 9 - Seat Group .....	2-18
Fig. 10 - Directional Control Group .....	2-20
Fig. 11 - Wheel Group, Front Drive .....	2-22
Fig. 12 - Brake Pedal Group .....	2-24
Fig. 13 - Wheel And Brake Group, Rear ...	2-26
Fig. 14 - Solution Tank Group .....	2-28
Fig. 15 - FaST Solution Pump Group (000000-003746) .....	2-30
Fig. 16 - FaST Air Pump and Detergent Group (000000-003746) .....	2-32
Fig. 17 - FaST Foam Filter Group (000000-003746) .....	2-34
Fig. 18 - FaST Pumps and Detergent Group (003747- ) .....	2-36
Fig. 19 - Solution Control Group .....	2-38
Fig. 20 - Recovery Tank Group .....	2-40
Fig. 21 - Recovery Tank Drain Assembly ..	2-42
Fig. 22 - Vacuum Fan Group .....	2-44
Fig. 23 - Scrub Head Lift Group .....	2-46
Fig. 24 - Max Pro 1000 (Disc-Brush) Scrub Head Frame Group .....	2-48
Fig. 25 - Max Pro 1000 (Disc-Brush) Scrub Head Linkage Group .....	2-50
Fig. 26 - Max Pro 1000 (Disc-Brush) Solution Valve Group .....	2-52
Fig. 27 - Max Pro 1000 (Disc-Brush) Solution Valve Group (FaST/ec-H2O) .....	2-54
Fig. 28 - Max Pro 1000 (Disc-Brush) Edge Scrub Group .....	2-56
Fig. 29 - Max Pro 1000 (Disc-Brush) Right Side Squeegee Group .....	2-58
Fig. 30 - Max Pro 1000 (Disc-Brush) Left Side Squeegee Group .....	2-60
Fig. 31 - Squeegee Linkage Group, Rear ...	2-62
Fig. 32 - Squeegee Lift Group, Rear .....	2-64

Contents	Page
Fig. 33 - Max Pro 1000 Rear Squeegee Group (000000-004999) .....	2-66
Fig. 34 - Max Pro 1000 Rear Squeegee Group (005000- ) .....	2-68
Fig. 35 - Electrical Control Box Circuit Breaker Group .....	2-70
Fig. 36 - Electrical Control Box Contactor Group (000000- 001705) .....	2-72
Fig. 37 - Electrical Control Box Contactor Group (001706- ) .....	2-74
Fig. 38 - Electrical Control Box Wires Group (000000- 001705) .....	2-76
Fig. 39 - Eleactrical Control Box Wires Group (001706- ) .....	2-78
Fig. 40 - Electrical Circuit Board Group ...	2-80
Fig. 41 - Electrical Group, FaST (000000-003746) .....	2-82
Fig. 42 - Electrical Group, FaST (003747- ) .....	2-83
Fig. 43 - Electrical Schematic (000000-003746) .....	2-84
Fig. 44 - Electrical Schematic (003747- ) .....	2-88
Fig. 45 - Electrical Wire Harness Group, Main .....	2-93
Fig. 46 - Electrical Wire Harness Group, FaST (000000-003746) .....	2-103
Fig. 47 - Electrical Wire Harness Group, FaST (003747- ) .....	2-104
Fig. 48 - Label Group .....	2-105

# STANDARD PARTS

Fig. 1 - General Recommended Maintenance Items

Ref.	Tennant Part No.	Machine Serial Number	Description	Qty.
	387660	(000000-	) Tire Assy, Solid, 16.2x6.0 5.7bc/5bolt	1
	387014	(000000-	) Tire Assy, 16 X 5 X 12.12	2
	66213	(000000-	) Kit, Brake	2
	66211	(000000-	) Brake Shoes	2
	1037822	(000000-	) Filter, Panl, Dust, 2.0 X 06.1 X 07.6	1
	387023	(000000-	) Hose, Vacuum	1
	386267	(000000-	) Hose, Vacuum, 91.0l	1
	20833	(000000-	) Wheel, 3.0d 1.38w 0.50b	2
	223044	(000000-	) Headlight, 36vdc, 15cp 0.7a [#0534242]	2
	386053	(000000-	) Belt, Drive (Cylindrical Brush)	1
	71101	(000000-	) Cable, .12d, 13.3l, .2clevis/.2clevis	1
▽	386020	(000000-	) Kit, Maint, 800hr, [7300-Mp1000-Disk]	1
▲	386284	(000000-	) Blade, Sqge, Rear	1
▲	386283	(000000-	) Blade, Sqge, Front	1
▲	386387	(000000-	) Skirt, Front, Scrub Head, 2-Brush, Ele	1
▲	386388	(000000-	) Skirt, Rear, Scrub Head, 2-Brush, Ele	1
▲	387294	(000000-	) Skirt, Side, Scrbr Head, Ele	1
▲	386260	(000000-	) Squeegee, Side	1
▲	20833	(000000-	) Wheel, 3.0d 1.38w 0.50b	1
▲	71101	(000000-	) Cable, .12d, 13.3l, .2clevis/.2clevis	1
▲	387023	(000000-	) Hose, Vacuum	1
▲	386267	(000000-	) Hose, Vacuum, 91.0l	1
▲	1037822	(000000-	) Filter, Panl, Dust, 2.0 X 06.1 X 07.6	1
▲	66213	(000000-	) Kit, Brake	1
▲	386223	(000000-	) Gasket, Tank, Recovery	1
▲	79320	(000000-	) Gasket, Cap, Drain	1
▲	223264	(000000-	) Seal, Rbr, Clsd, 0.25th, 5.8d 03.3h	1
▲	386323	(000000-	) Gasket, Mtg, Fan	1
▽	386021	(000000-	) Kit, Maint, 800hr, [7300-Mp1200-Disk]	1
▲	386834	(000000-	) Blade, Sqge, Rear 48.0l	1
▲	386833	(000000-	) Blade, Sqge, Front 48.0l	1
▲	386825	(000000-	) Skirt, Front, Scrub Head, 3-Brush, Ele	1
▲	386826	(000000-	) Skirt, Rear, Scrub Head, 3-Brush, Ele	1
▲	386260	(000000-	) Squeegee, Side	1
▲	20833	(000000-	) Wheel, 3.0d 1.38w 0.50b	1
▲	71101	(000000-	) Cable, .12d, 13.3l, .2clevis/.2clevis	1
▲	387023	(000000-	) Hose, Vacuum	1
▲	386267	(000000-	) Hose, Vacuum, 91.0l	1
▲	1037822	(000000-	) Filter, Panl, Dust, 2.0 X 06.1 X 07.6	1
▲	66213	(000000-	) Kit, Brake	1
▲	386223	(000000-	) Gasket, Tank, Recovery	1
▲	79320	(000000-	) Gasket, Cap, Drain	1
▲	223264	(000000-	) Seal, Rbr, Clsd, 0.25th, 5.8d 03.3h	1
▲	386323	(000000-	) Gasket, Mtg, Fan	1



Fig. 1 - General Recommended Maintenance Items

Ref.	Tennant Part No.	Machine Serial Number	Description	Qty.
▽	386022	(000000-	) Kit, Maint, 800hr, [7300-Mp1000-Cyl]	1
▲	386284	(000000-	) Blade, Sqge, Rear	1
▲	386283	(000000-	) Blade, Sqge, Front	1
▲	20833	(000000-	) Wheel, 3.0d 1.38w 0.50b	1
▲	71101	(000000-	) Cable, .12d, 13.3l, .2clevis/.2clevis	1
▲	387023	(000000-	) Hose, Vacuum	1
▲	386267	(000000-	) Hose, Vacuum, 91.0l	1
▲	386053	(000000-	) Belt, Drive	1
▲	1037822	(000000-	) Filter, Panl, Dust, 2.0 X 06.1 X 07.6	1
▲	66213	(000000-	) Kit, Brake	1
▲	386223	(000000-	) Gasket, Tank, Recovery	1
▲	79320	(000000-	) Gasket, Cap, Drain	1
▲	223264	(000000-	) Seal, Rbr, Clsd, 0.25th, 5.8d 03.3h	1
▲	386323	(000000-	) Gasket, Mtg, Fan	1
▽	386023	(000000-	) Kit, Maint, 800hr, [7300-Mp1200-Cyl]	1
▲	386834	(000000-	) Blade, Sqge, Rear 48.0l	1
▲	386833	(000000-	) Blade, Sqge, Front 48.0l	1
▲	20833	(000000-	) Wheel, 3.0d 1.38w 0.50b	1
▲	71101	(000000-	) Cable, .12d, 13.3l, .2clevis/.2clevis	1
▲	387023	(000000-	) Hose, Vacuum	1
▲	386267	(000000-	) Hose, Vacuum, 91.0l	1
▲	386053	(000000-	) Belt, Drive	1
▲	1037822	(000000-	) Filter, Panl, Dust, 2.0 X 06.1 X 07.6	1
▲	66213	(000000-	) Kit, Brake	1
▲	386223	(000000-	) Gasket, Tank, Recovery	1
▲	79320	(000000-	) Gasket, Cap, Drain	1
▲	223264	(000000-	) Seal, Rbr, Clsd, 0.25th, 5.8d 03.3h	1
▲	386323	(000000-	) Gasket, Mtg, Fan	1
▽	387506	(000000-	) Kit, Maint, 800hr [7300-Mp1200-Disk-Vac]	1
▲	386284	(000000-	) Blade, Sqge, Rear	1
▲	386283	(000000-	) Blade, Sqge, Front	1
▲	386285	(000000-	) Clamp Wldt, Front	1
▲	386286	(000000-	) Clamp Wldt, Rear	1
▲	386260	(000000-	) Squeegee, Side	1
▲	20833	(000000-	) Wheel, 3.0d 1.38w 0.50b	1
▲	71101	(000000-	) Cable, .12d, 13.3l, .2clevis/.2clevis	1
▲	387023	(000000-	) Hose, Vacuum	1
▲	386514	(000000-	) Hose, Vacuum, 58.5l	1
▲	1005026	(001703-	) Kit, Modif, Ftg Location, [Discvac]	1
▲	11399	(000000-	) Clamp, Hose, Wormdrive, 0.81-1.50d	1
▲	387545	(000000-	) Blade Assy, Sqge, Side	1
▲	387546	(000000-	) Blade, Squeegee	1
▲	386326	(000000-	) Filter, Fan	1
▲	66213	(000000-	) Kit, Brake	1
▲	386223	(000000-	) Gasket, Tank, Recovery	1
▲	79320	(000000-	) Gasket, Cap, Drain	2
▲	223264	(000000-	) Seal, Rbr, Clsd, 0.25th, 5.8d 03.3h	1
▲	386323	(000000-	) Gasket, Mtg, Fan	1
▲	387256	(000000-001702)	) Hose, Vacuum, 35.0l	1
▲	387517	(000000-001702)	) Hose Assy, W/2 Cuff, 1.0d 41.0l	1

Fig. 2 - Brushes, Replacement for MaxPro 1000

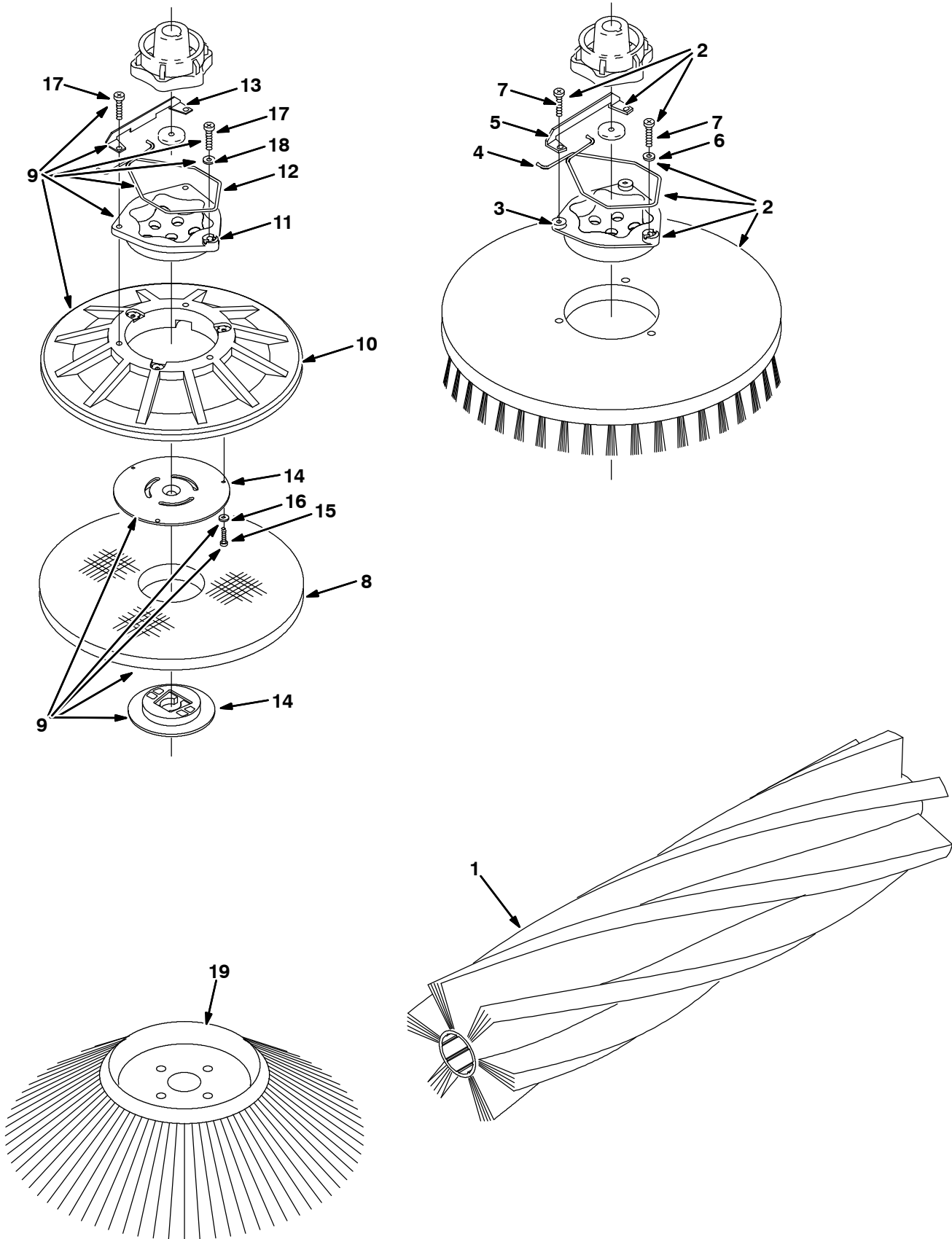


Fig. 2 - Brushes, Replacement for MaxPro 1000

Ref.	Tennant Part No.	Machine Serial Number	Description	Qty.	
1	386230	(000000-	) Brush, Scrub, 39l, 20sr, Pyp, Spl	2	
1	386240	(000000-	) Brush, Scrub, 39l, 20sr, Super Abr, Spl	2	
1	386250	(000000-	) Brush, Scrub, 39l, 20sr, Nyl, Spl	2	
▽	2	14967	(000000-	) Brush Assy, Disk, Scb, 20.0 D, Nyl	2
▲	3	15539	(000000-	) Adaptor, Brush	1
▲	4	14838	(000000-	) Spring, Wir, 0.16d, Brush Retaining	1
▲	5	24299	(000000-	) Bracket, Retainer, Spring	1
▲	6	01684	(000000-	) Washer, Flt, .25 Ss	1
▲	7	32746	(000000-	) Screw, Pan, M06 X 1.0 X 35, Ss	3
▽	2	14953	(000000-	) Brush Assy, Disk, Scb, 20.0 D, Pyp	2
▲	3	15539	(000000-	) Adaptor, Brush	1
▲	4	14838	(000000-	) Spring, Wir, 0.16d, Brush Retaining	1
▲	5	24299	(000000-	) Bracket, Retainer, Spring	1
▲	6	01684	(000000-	) Washer, Flt, .25 Ss	1
▲	7	32746	(000000-	) Screw, Pan, M06 X 1.0 X 35, Ss	3
▽	2	378951	(000000-	) Brush Assy, Disk, Scb, 20.0 D, Super Abr	2
▲	3	15539	(000000-	) Adaptor, Brush	1
▲	4	14838	(000000-	) Spring, Wir, 0.16d, Brush Retaining	1
▲	5	24299	(000000-	) Bracket, Retainer, Spring	1
▲	6	01684	(000000-	) Washer, Flt, .25 Ss	1
▲	7	32746	(000000-	) Screw, Pan, M06 X 1.0 X 35, Ss	3
	8	17260	(000000-	) Pad, Polish, 20.0d, White	2
	8	17261	(000000-	) Pad, Buff, 20.0d, Red	2
	8	17262	(000000-	) Pad, Scrub, 20.0d, Blue	2
	8	17263	(000000-	) Pad, Strip, 20.0d, Brown	2
	8	370094	(000000-	) Pad, Stripping, 20.0D[Hi Prod,Black	2
	8	1051030	(000000-	) Pad, Surf Prep, 20.0D [Mar, 1Pick=1Pad]	2
▽	9	397920	(000000-	) Driver Assy, Pad, 20.0D	2
▲	10	370080	(000000-	) Disk, Pad Drive, W/ Face, 20d	1
▲	11	15539	(000000-	) Adaptor, Brush	1
▲	12	14838	(000000-	) Spring, Wir, 0.16d, Brush Retaining	1
▲	13	24299	(000000-	) Bracket, Retainer, Spring	1
▲	14	370090	(000000-	) Device, Centering	1
▲	15	09198	(000000-	) Screw, Pan, M04 X 0.7 X 35, Ss	3
▲	16	41579	(000000-	) Washer, Flt, #08 Ss	3
▲	17	32746	(000000-	) Screw, Pan, M06 X 1.0 X 35, Ss	3
▲	18	01684	(000000-	) Washer, Flt, .25 Ss	1
	19	87419	(000000-	) Brush, Disk, Swp, 19.0D, Pyp (Option)	1

Fig. 3 - Brushes, Replacement for MaxPro 1200

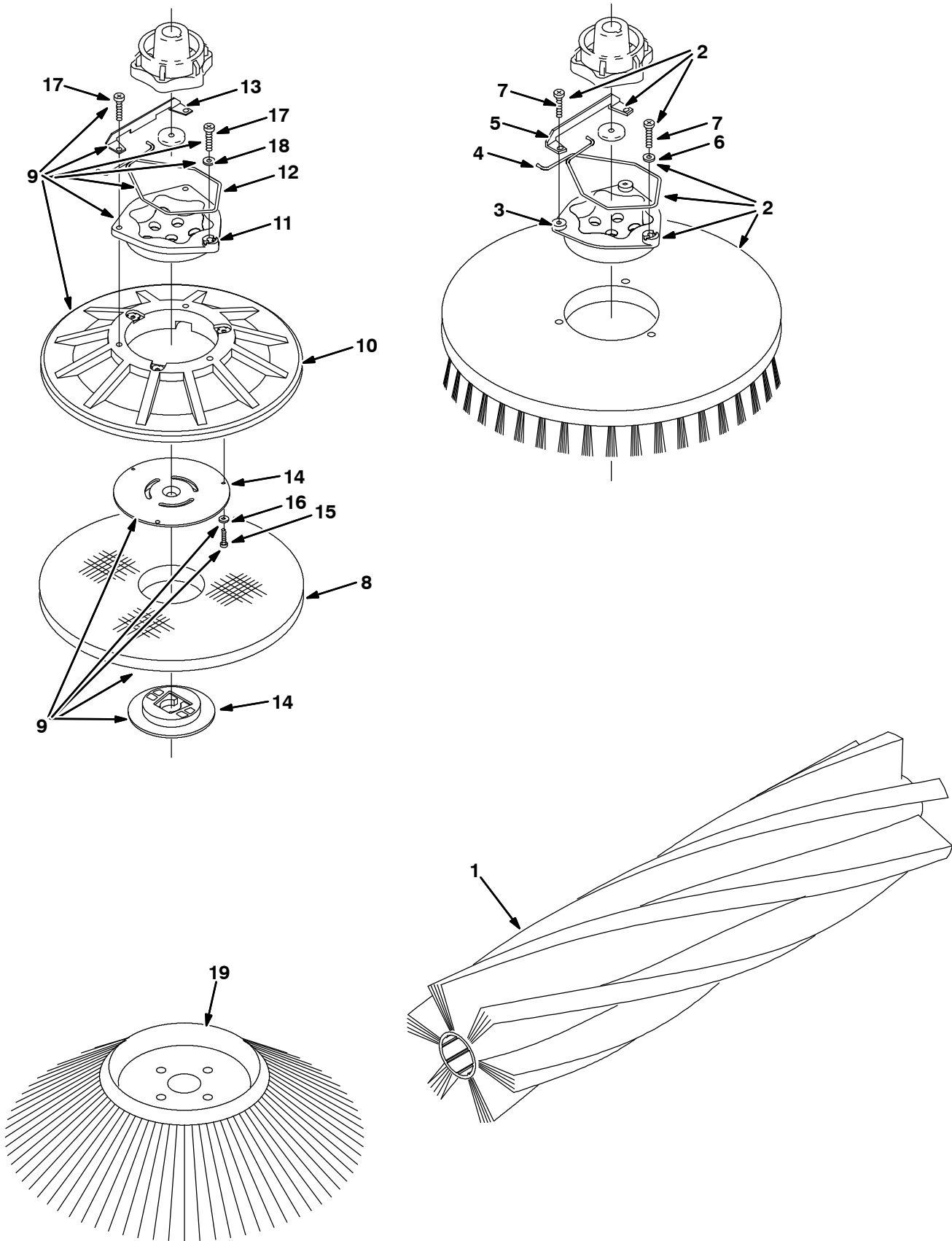


Fig. 3 - Brushes, Replacement for MaxPro 1200

Ref.	Tennant Part No.	Machine Serial Number	Description	Qty.	
1	386231	(000000-	) Brush, Scrub, 47l, 20sr, Pyp, Spl	2	
1	386241	(000000-	) Brush, Scrub, 47l, 20sr, Super Abr, Spl	2	
1	386251	(000000-	) Brush, Scrub, 47l, 20sr, Nyl, Spl	2	
▽	2	1042504	(000000-	) Brush Assy, Disk, Scb, 16.0D, Super Abrasive	3
▲	3	1017368	(000000-	) Hub, Drive, Brush, Disk, 3 Hole 5.8Bc	1
▲	4	14838	(000000-	) Spring, Wir, 0.16d, Brush Retaining	1
▲	5	24299	(000000-	) Bracket, Retainer, Spring	1
▲	6	01684	(000000-	) Washer, Flt, .25 Ss	1
▲	7	32746	(000000-	) Screw, Pan, M06 X 1.0 X 35, Ss	3
▽	2	1042499	(000000-	) Brush Assy, Disk, Scb, 16.0D, Nylon	3
▲	3	1017368	(000000-	) Hub, Drive, Brush, Disk, 3 Hole 5.8Bc	1
▲	4	14838	(000000-	) Spring, Wir, 0.16d, Brush Retaining	1
▲	5	24299	(000000-	) Bracket, Retainer, Spring	1
▲	6	01684	(000000-	) Washer, Flt, .25 Ss	1
▲	7	32746	(000000-	) Screw, Pan, M06 X 1.0 X 35, Ss	3
▽	2	30241	(000000-	) Brush Assy, Disk, Scb, 16.0 D, Pyp	3
▲	3	1017368	(000000-	) Hub, Drive, Brush, Disk, 3 Hole 5.8Bc	1
▲	4	14838	(000000-	) Spring, Wir, 0.16d, Brush Retaining	1
▲	5	24299	(000000-	) Bracket, Retainer, Spring	1
▲	6	01684	(000000-	) Washer, Flt, .25 Ss	1
▲	7	32746	(000000-	) Screw, Pan, M06 X 1.0 X 35, Ss	3
	8	63248-1	(000000-	) Pad, Strip, 16.0d, Brown	3
	8	63248-2	(000000-	) Pad, Scrub, 16.0d, Blue	3
	8	63248-3	(000000-	) Pad, Buff, 16.0d, Red	3
	8	63248-4	(000000-	) Pad, Polish, 16.0d, White	3
	8	370092	(000000-	) Pad, Stripping, 16.0d[Hi Prod,Black	3
	8	1051027	(000000-	) Pad, Surf Prep, 16.0d [Mar, 1pick=1pad]	3
▽	9	397916	(000000-	) Driver Assy, Pad, 16D	3
▲	10	397976	(000000-	) Disk, Pad Driver, W/Face, 16D	1
▲	11	15539	(000000-	) Adaptor, Brush	1
▲	12	14838	(000000-	) Spring, Wir, 0.16d, Brush Retaining	1
▲	13	24299	(000000-	) Bracket, Retainer, Spring	1
▲	14	370095	(000000-	) Device, Centering	1
▲	15	09198	(000000-	) Screw, Pan, M04 X 0.7 X 35, Ss	3
▲	16	41579	(000000-	) Washer, Flt, #08 Ss	3
▲	17	32746	(000000-	) Screw, Pan, M06 X 1.0 X 35, Ss	3
▲	18	01684	(000000-	) Washer, Flt, .25 Ss	1
	19	87419	(000000-	) Brush, Disk, Swp, 19.0D, Pyp (Option)	1

**Fig. 4 - Main Frame Group**

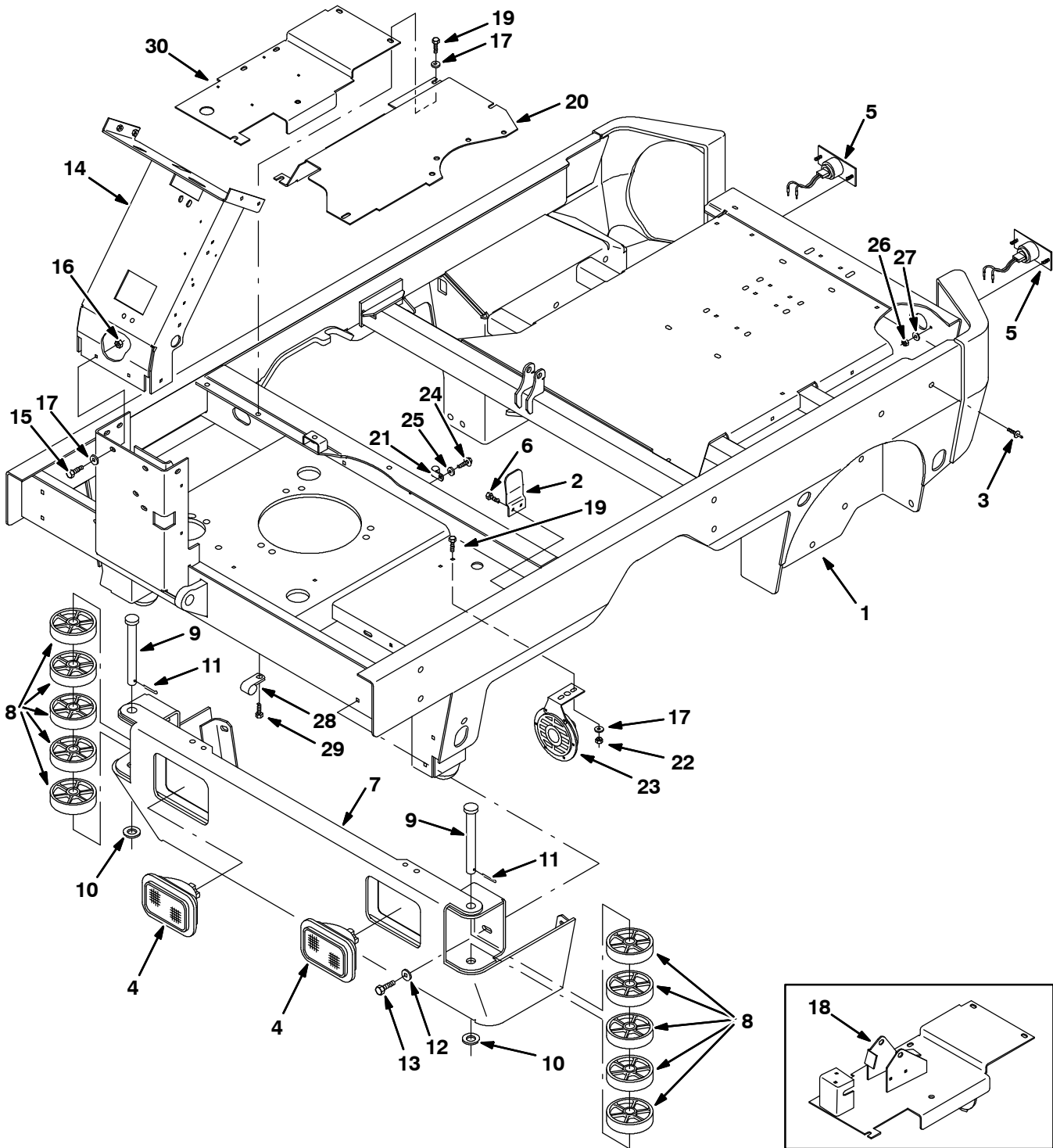


Fig. 4 - Main Frame Group

Ref.	Tennant Part No.	Machine Serial Number	Description	Qty.	
1	386200	(000000-004999 )	Frame	1	
1	1056383	(005000-	Frame Wldt, Main, Iron Gray [7300/8300]	1	
2	386923	(000000-004999 )	Plate, Cover	1	
2	1056496	(005000-	Plate, Cover, Iron Gray	1	
3	365252	(000000-	Rivet, Plstc, .25 D X 0.75	24	
▽	4	223044	(000000-	Headlight, 36vdc, 15cp, 0.7a	2
▲		360518	(000000-	Lamp, 36vdc, 32cp, .72a	1
▽	5	87346	(000000-	Taillight, 12vdc, 3.6 X 1.9, Rework 87277	2
▲		87948	(000000-	Lamp	1
▲		87949	(000000-	Lampholder	1
	6	06943	(000000-	Screw, Hex, M06 X 1.0 X 20, 8.8	2
	7	386480	(000000-004999 )	Bumper Wldt	1
	7	1056786	(005000-	Bumper Wldt, Iron Gray	1
	8	364085	(000000-	Wheel, 4.0d 0.98w 0.78b	10
	9	51414	(000000-	Pin, Clevis, 0.75 D X 6.50l	2
	10	39350	(000000-	Washer, Flt, .75 Sae	2
	11	08236	(000000-	Pin, Cotter, .156 X 1.25	2
	12	01685	(000000-	Washer, Flt, .31 Ss	8
	13	09740	(000000-	Screw, Hex, M08 X 1.25 X 20, Ss	8
	14	386450	(000000-004999 )	Channel Wldt, Steering	1
	14	1056387	(005000-	Channel Wldt, Steering, Iron Gray	1
	15	16931	(000000-	Screw, Hex, M08 X 1.25 X 20, 8.8	5
	16	08709	(000000-	Nut, Hex, Lock, M08 X 1.25,NI	5
	17	32491	(000000-	Washer, Flt, .31 Std	12
	18	386157	(000000-001946 )	Plate Wldt, Floor	1
	19	16735	(000000-	Screw, Hex, M08 X 1.25 X 16, 8.8	12
	20	386159	(000000-004999 )	Plate, Floor, Upper	1
	20	1056465	(005000-	Plate, Floor, Upper, Iron Gray	1
	21	67767	(000000-	Clamp, Cable, Stl, 0.69d X 0.62w, 1h	1
	22	07791	(000000-	Nut, Hex, Flng, M08 X 1.25	2
	23	369702	(000000-	Horn, 36vdc, Dba	1
	24	12459	(000000-	Screw, Hex, M06 X 1.0 X 20, Fmg	1
	25	01684	(000000-	Washer, Flt, .25 Ss	1
	26	01713	(000000-	Nut, Hex, Lock, M05 X 0.8, Ni	4
	27	32980	(000000-	Washer, Lock, Int, #10	4
	28	67767	(000000-	Clamp, Cable, Stl, 0.69d X 0.62w, 1h	2
	29	361339	(000000-	Screw, Hex, M06 X 1.0 X 16, Fmg	2
	30	387654	(001947-004999 )	Plate, Floor	1
	30	1056809	(005000-	Plate, Floor, Iron Gray	1

Fig. 5 - Covers Group, Front

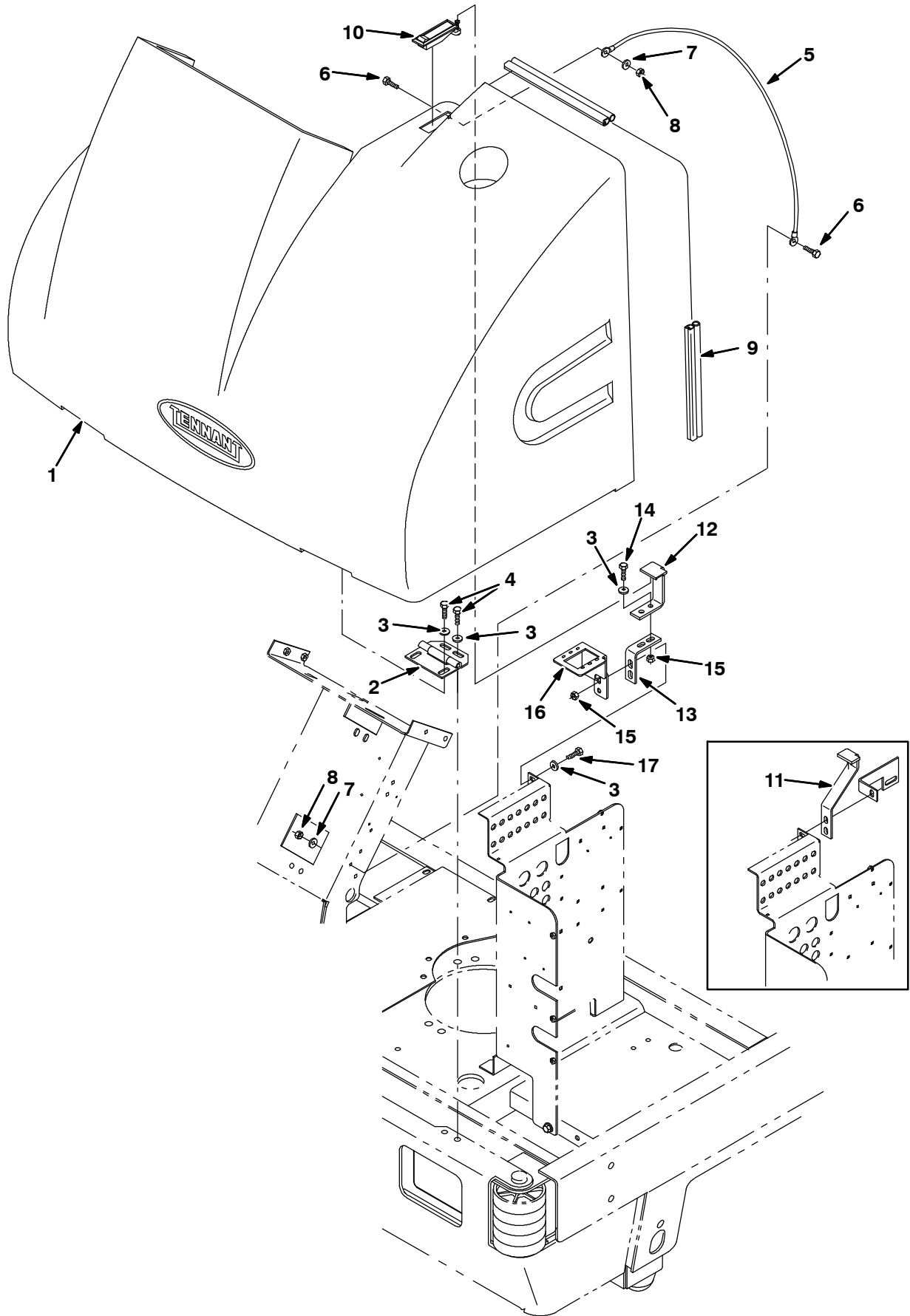




Fig. 5 - Covers Group, Front

Ref.	Tennant Part No.	Machine Serial Number	Description	Qty.
1	386120	(000000-004999 )	Cover, Front	1
1	1056432	(005000-	Cover, Front, Teal	1
2	386124	(000000-	Hinge, .38pin .11 3.5w 04.0l 4/0.38slot	2
3	32491	(000000-	Washer, Flt, .31 Std	12
4	49826	(000000-	Screw, Hex, M08 X 1.25 X 16, Ss, NI	8
5	387021	(000000-	Cable Assy	1
6	06943	(000000-	Screw, Hex, M06 X 1.0 X 20, 8.8	2
7	32483	(000000-	Washer, Flt, .25 Sae	2
8	08708	(000000-	Nut, Hex, Lock, M06 X 1.0, NI	2
9	387033	(000000-	Seal, Bulb, [Sd-504], 48.70l	1
10	64533	(000000-	Latch, Trigger	1
11	387460	(000000-001154 )	Kit, Replmt, Bracket, F/386211	1
12	387450	(001155-004999 )	Bracket, Latch, Cover	1
12	1056483	(005000-	Bracket, Latch, Cover, Iron Gray	1
13	387451	(001155-004999 )	Bracket, Latch, Cover	1
13	1056484	(005000-	Bracket, Latch, Cover, Iron Gray	1
14	16931	(001155-	Screw, Hex, M08 X 1.25 X 20, 8.8	2
15	08709	(001155-	Nut, Hex, Lock, M08 X 1.25,NI	2
16	387634	(001706-004999 )	Bracket, Mtg, Circuitbreaker, [Hi-Mag]	1
16	1056487	(005000-	Bracket, Mtg, Circuitbreaker [Hi-Mag]	1
17	76570	(001706-	Screw, Hex, M 8 X 1.25 X 30, 8.8	2

Fig. 6 - Covers Group, Rear

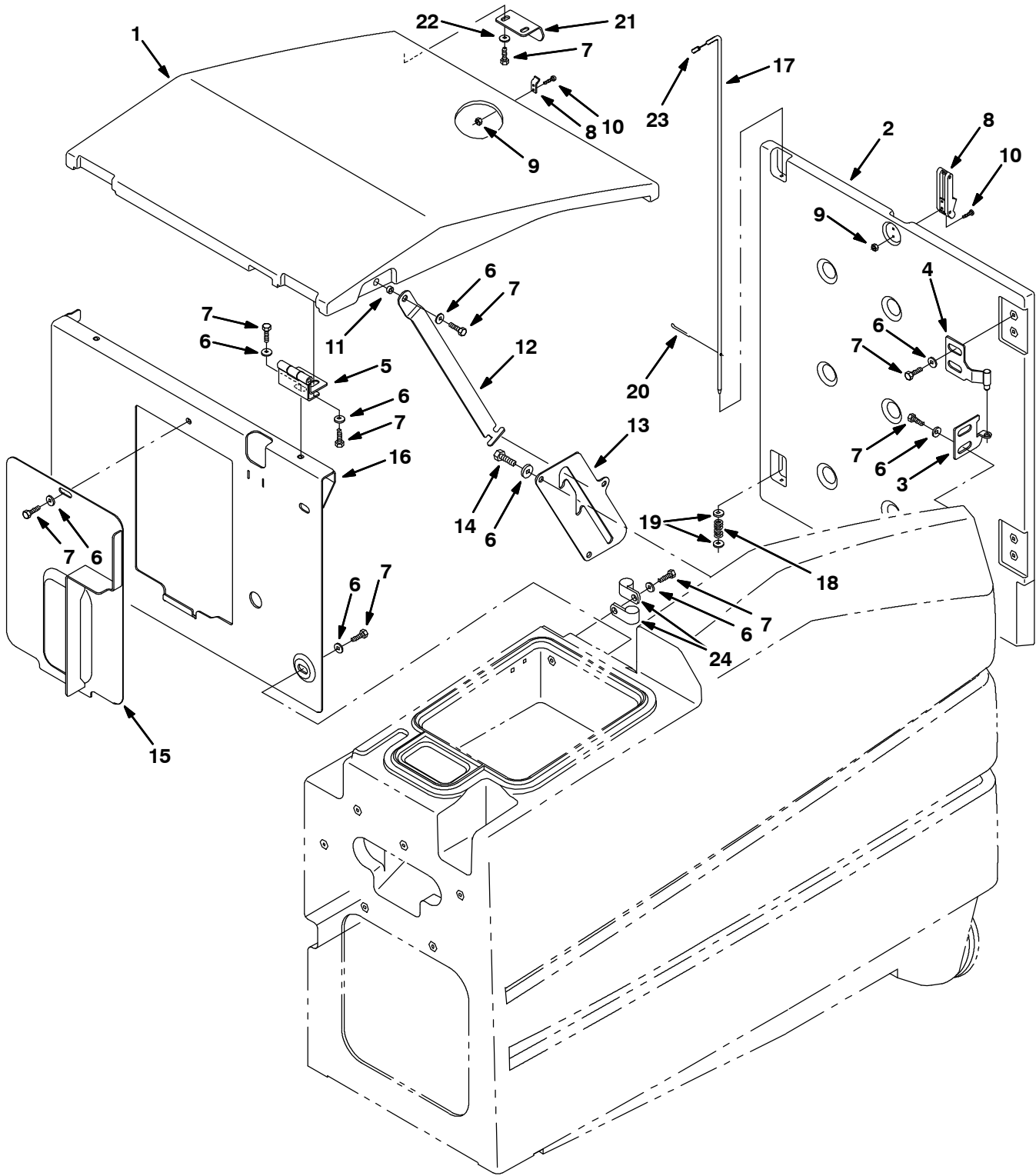


Fig. 6 - Covers Group, Rear

Ref.	Tennant Part No.	Machine Serial Number	Description	Qty.
1	386201	(000000-004999 )	Cover, Tank, Top	1
1	1056433	(005000-	Cover, Tank, Top, Teal	1
2	386202	(000000-004999 )	Cover, Rear	1
2	1056434	(005000-	Cover, Rear, Teal	1
3	386993	(000000-004999 )	Plate, Hinge	2
3	1056479	(005000-	Plate, Hinge, Iron Gray	2
4	386995	(000000-004999 )	Hinge Wldt, W/ Pin	2
4	1056388	(005000-	Hinge Wldt, W/ Pin, Iron Gray	2
5	386437	(000000-004999 )	Hinge Assy	2
5	1056475	(005000-	Hinge Assy, Iron Gray	2
6	01685	(000000-	Washer, Flt, .31 Ss	24
7	09740	(000000-	Screw, Hex, M08 X 1.25 X 20, Ss	23
8	49800	(000000-	Latch	1
9	02850	(000000-	Nut, Hex, Lock, M04 X 0.7, NI	4
10	49697	(000000-	Screw, Pan, M04 X 0.7 X 10, Ss	4
11	360801	(000000-	Sleeve	1
12	386461	(000000-	Rod	1
13	386413	(000000-004999 )	Plate	1
13	1056472	(005000-	Plate, Iron Gray	1
14	09010	(000000-	Screw, Hex, M08 X 1.25 X 25, Ss	3
15	386433	(000000-004999 )	Cover Wldt	1
15	1056386	(005000-	Cover Wldt, Iron Gray	1
16	387348	(000000-	Panel Wldt, Front W/ Label	1
17	386761	(000000-	Rod, Rear Door	1
18	54743	(000000-	Spring, Cmpr, 0.36od .04wir 2.5l	1
19	01684	(000000-	Washer, Flt, .25 Ss	2
20	08178	(000000-	Pin, Cotter, .062 X 0.75	1
21	386634	(000000-	Bracket	1
22	01684	(000000-	Washer, Flt, .25 Ss	2
23	386973	(000000-	Cap, Vyl, .234id .750l .04	1
24	82829	(000000-	Clamp, Cable, Stl, 0.63d X 0.75w, 1h	2

Fig. 7 - Electrical Instrument Panel Group

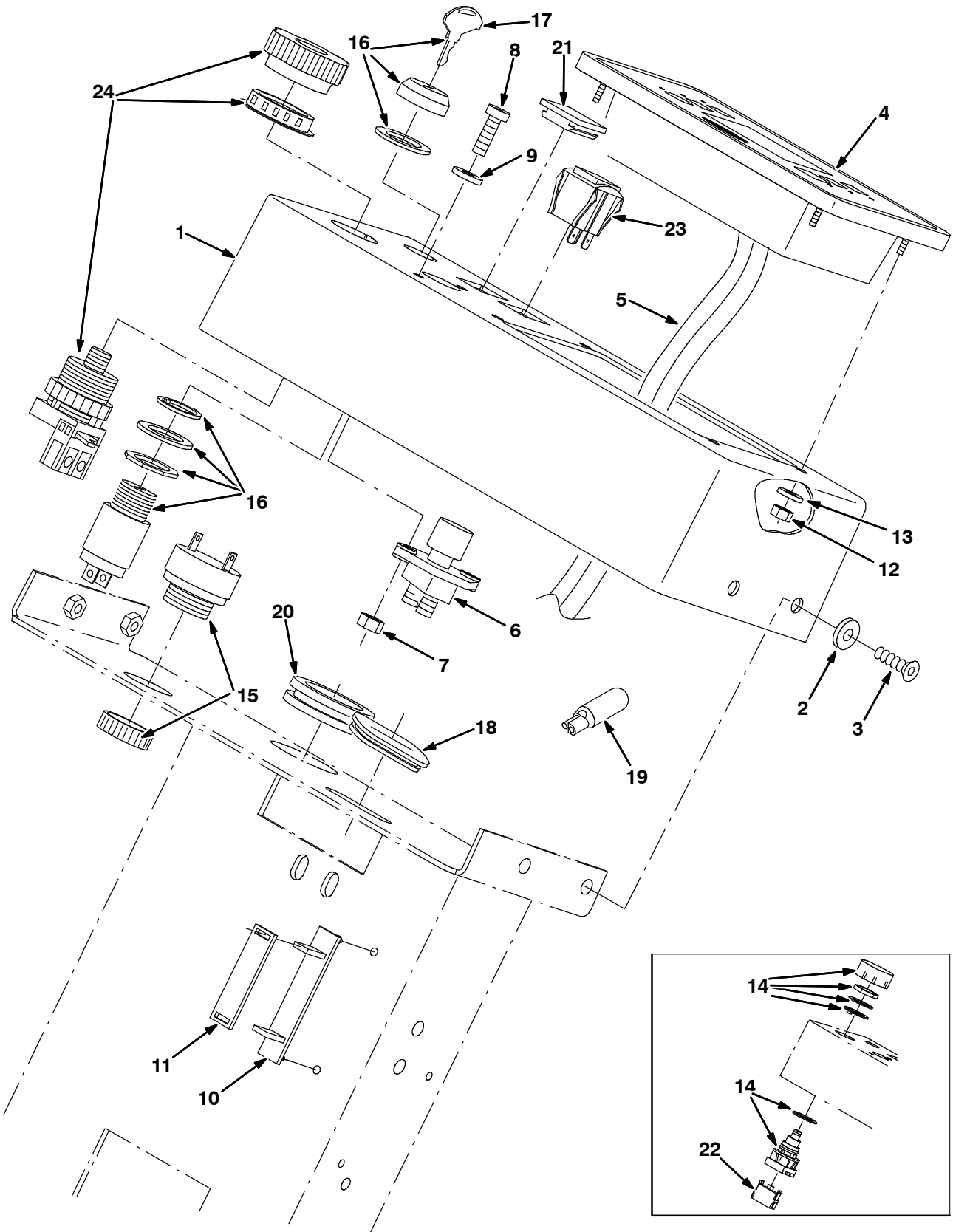


Fig. 7 - Electrical Instrument Panel Group

Ref.	Tennant Part No.	Machine Serial Number	Description	Qty.	
1	386129	(000000-	) Panel, Instmt	1	
2	386924	(000000-	) Washer, Finish, M06, PI	4	
3	16879	(000000-	) Screw, Flat, M06 X 1.0 X 20, 10.9	4	
▽	4	9008408	(000000-005351 ) Panel Assy Kit, Touch [7300]	1	
▲	5	386311	(000000-005351 ) Cable, Ribbon, 34 Conductor	1	
▽	4	1065186	(005352-	) Panel Assy, Touch [7300]	1
▲	5	386311	(005352-	) Cable, Ribbon, 34 Conductor	1
6	44078	(000000-	) Switch	1	
7	08708	(000000-	) Nut, Hex, Lock, M06 X 1.0, NI	2	
8	09007	(000000-	) Screw, Hex, M06 X 1.0 X 25, Ss	2	
9	32483	(000000-	) Washer, Flt, .25 Sae	2	
10	386808	(000000-	) Clamp, Ribbon Cable	1	
11	386809	(000000-	) Clamp, Ribbon Cable, Hold-Down	1	
12	06549	(000000-	) Nut, Hex, Lock, M05 X 0.8, NI	4	
13	19066	(000000-	) Washer, Flt, #10	4	
14	78553	(000000-005030 )	Switch	1	
15	386346	(000000-	) Alarm, Warning, 10-48vdc	1	
▽	16	361076	(000000-	) Switch, Start	1
▲	17	361144	(000000-	) Key, Ignition	1
18	27928	(000000-	) Grommet, Ribbon Cable, .63 X 1.81	1	
19	222290	(000000-	) Diode, Ele, Plug	7	
20	10632-13	(000000-	) Grommet, Rbr, 1.50id, F/ 1.8h, .31matl	1	
21	222534	(000000-	) Button, Plug, 1.1 X 1.1h, Black, Plstc	2	
22	65665	(000000-005030 )	Contact, Switch	1	
23	360520	(000000-	) Switch, Rocker	1	
24	1053842	(005031-	) Switch, Safety, Shutoff	1	

**Fig. 8 - Steering Group**

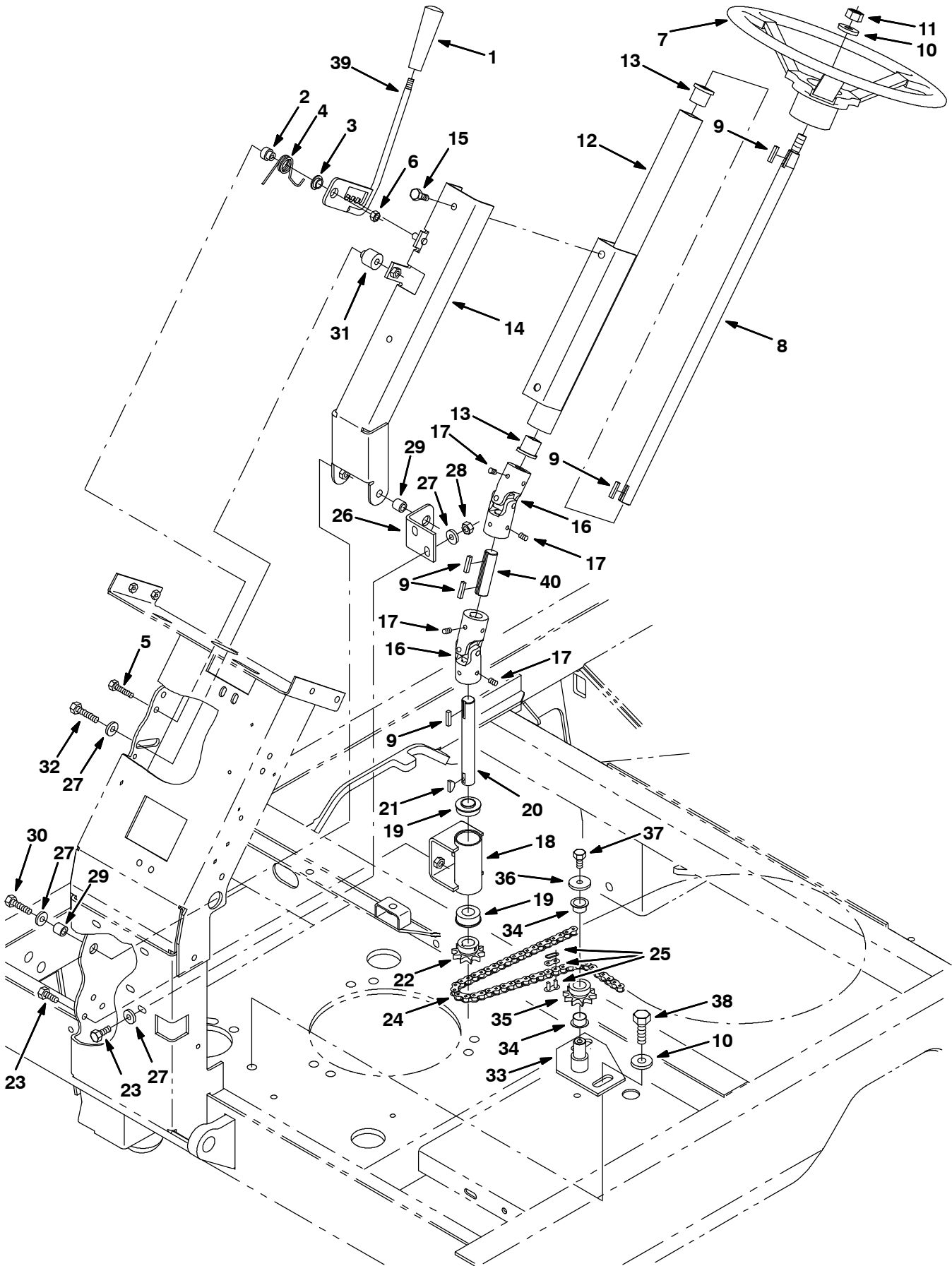


Fig. 8 - Steering Group

Ref.	Tennant Part No.	Machine Serial Number	Description	Qty.	
1	59940	(000000-	) Knob	1	
2	386149	(000000-	) Pin	1	
3	386217	(000000-	) Bearing, Flange	1	
4	386150	(000000-	) Spring, Torsion	1	
5	06946	(000000-	) Screw, Hex, M06 X 1.0 X 35, 8.8	1	
6	08708	(000000-	) Nut, Hex, Lock, M06 X 1.0, NI	1	
7	1036490	(000000-	) Wheel, Steering, 14.0d, Taper Bore	1	
8	223061	(000000-	) Shaft, Steering, Upper, Mach, .75d 24.1l	1	
9	00912	(000000-	) Key, Sq, 0.19 X 0.19, 01.00l	5	
10	32493	(000000-	) Washer, Flt, .50 Std	2	
11	08711	(000000-	) Nut, Hex, Lock, M12 X 1.75, NI	1	
12	1056917	(000000-	) Column Wldt, Steering, Iron Gray	1	
13	16367	(000000-	) Bushing, Flng, 0.75b 1.00d 1.00l, Nyl	2	
14	1056851	(000000-	) Bracket Wldt, Steering, Tilt, Iron Gray	1	
15	16735	(000000-	) Screw, Hex, M08 X 1.25 X 16, 8.8	2	
▽	16	1040295	(000000-	) Joint, U, 0.75ld	2
▲	17	39338	(000000-	) Screw, Set, .31-18 X 0.50, Soc	8
	18	1056914	(000000-	) Housing Wldt, Brg, Iron Gray	1
	19	223073	(000000-	) Bearing, Ball, 0.75b 1.38d 0.50w	2
	20	386975	(000000-	) Shaft, Steering, Lower	1
	21	00500-10	(000000-	) Key, Woodruff, 0.19 0.75, [Asa#0606]	1
	22	35996	(000000-	) Sprocket, #40, 10tooth, 0.750b	1
	23	16931	(000000-	) Screw, Hex, M08 X 1.25 X 20, 8.8	5
	24	386447	(000000-	) Chain, Roller, #40 X 130 Pitches	1
	25	07112	(000000-	) Link, Chain, Roller, #40	1
	26	1056852	(000000-	) Bracket, Sppt, Tilt, Iron Gray	1
	27	32491	(000000-	) Washer, Flt, .31 Std	6
	28	08709	(000000-	) Nut, Hex, Lock, M08 X 1.25, NI	2
	29	386154	(000000-	) Bushing, Sleeve, 0.38b 0.63d 0.57l, Stl	2
	30	76570	(000000-	) Screw, Hex, M08 X 1.25 X 30, 8.8	2
	31	386152	(000000-	) Sleeve, Support, Tilt	1
	32	74440	(000000-	) Screw, Hex, M08-1.25 X 40, Ss	1
	33	386143	(000000-	) Plate Wldt, Mtg, Idler	1
	34	16370	(000000-	) Bushing, Flng, 0.71b 0.79d 0.47l	2
	35	14271	(000000-	) Sprocket, #40, 10tooth, 0.787b	1
	36	30013	(000000-	) Washer, Flat, .31 Fender	1
	37	50388	(000000-	) Screw, Hex, M08 X 1.25 X 12, 8.8	1
	38	39285	(000000-	) Screw, Hex, M10 X 1.5 X 40, 8.8	2
	39	386140	(000000-	) Handle Wldt, Steering, Tilt	1
	40	386976	(000000-	) Shaft, Steering	1

Fig. 9 - Seat Group

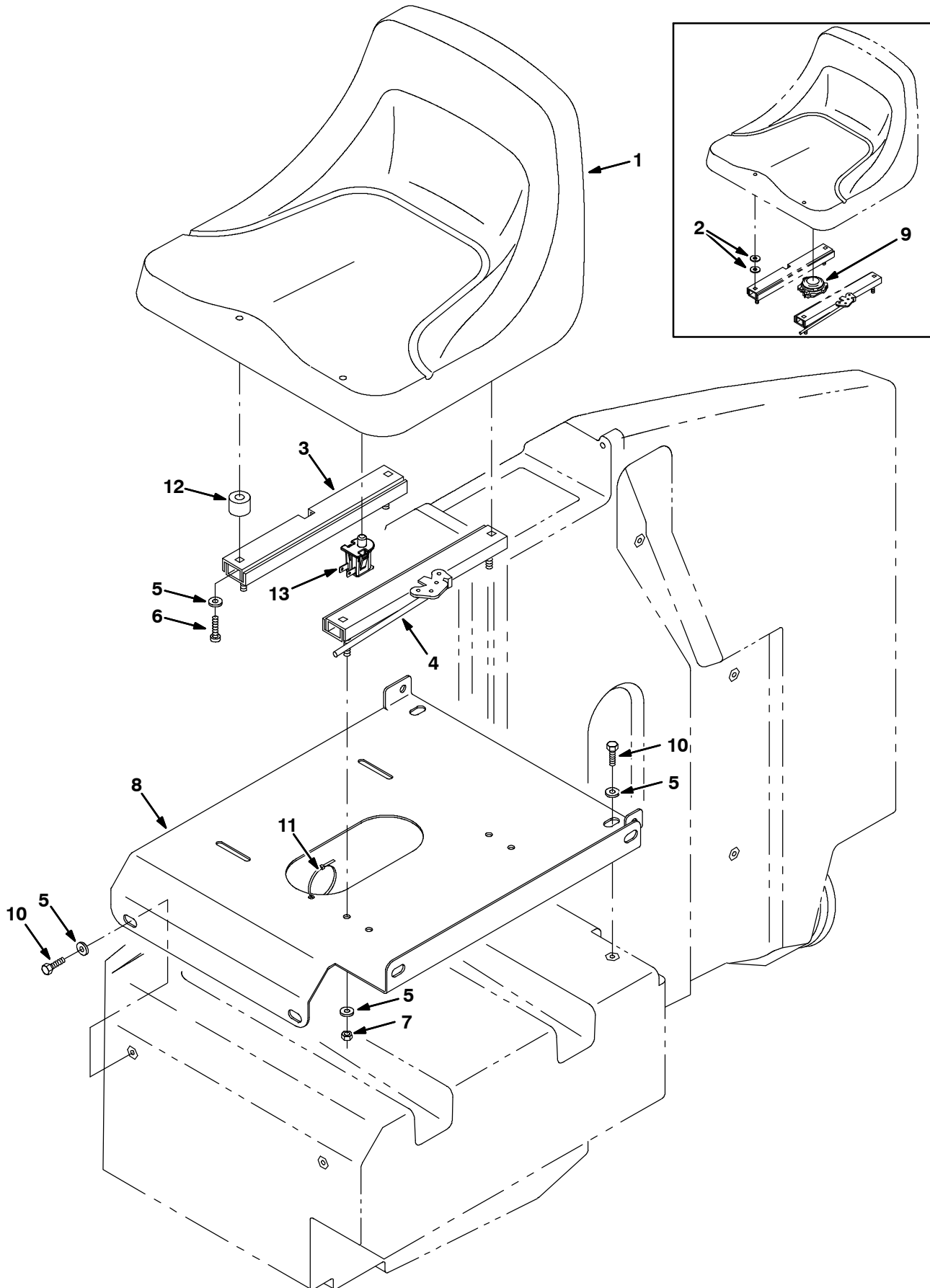




Fig. 9 - Seat Group

Ref.	Tennant Part No.	Machine Serial Number	Description	Qty.
1	375411	(000000-003621 )	Seat (Replaced by 9005082)	1
1	1048932	(003622-	Seat, Std [Michigan, Model V-2505]	1
2	13248	(000000-003621 )	Washer	8
3	360369	(000000-	Rail	1
4	360370	(000000-	Rail	1
5	01685	(000000-	Washer, Flt, .31 Ss	14
6	25537	(000000-003621 )	Screw, Pan, .31-18 X 0.75, G1	4
6	49177	(003622-	Screw, Pan, Phl, .31-18 X 1.00, G2	4
7	32983	(000000-	Nut, Hex, Lock, .31-18, NI	4
8	1056855	(000000-	Plate, Seat, Iron Gray	1
9	223078	(000000-003621 )	Switch, Seat	1
10	15675	(000000-	Screw, Hex, M08 X 1.25 X 16, Ss	6
11	49266	(000000-	Tie, Cable, Nyl, 07.3l .19w 1.8 Max D	1
12	1049092	(003622-	Spacer, Rnd, .38B .88D .63L	4
13	1048955	(003622-	Switch, Seat, No [Delta 6440-04]	1

**Fig. 10 - Directional Control Group**

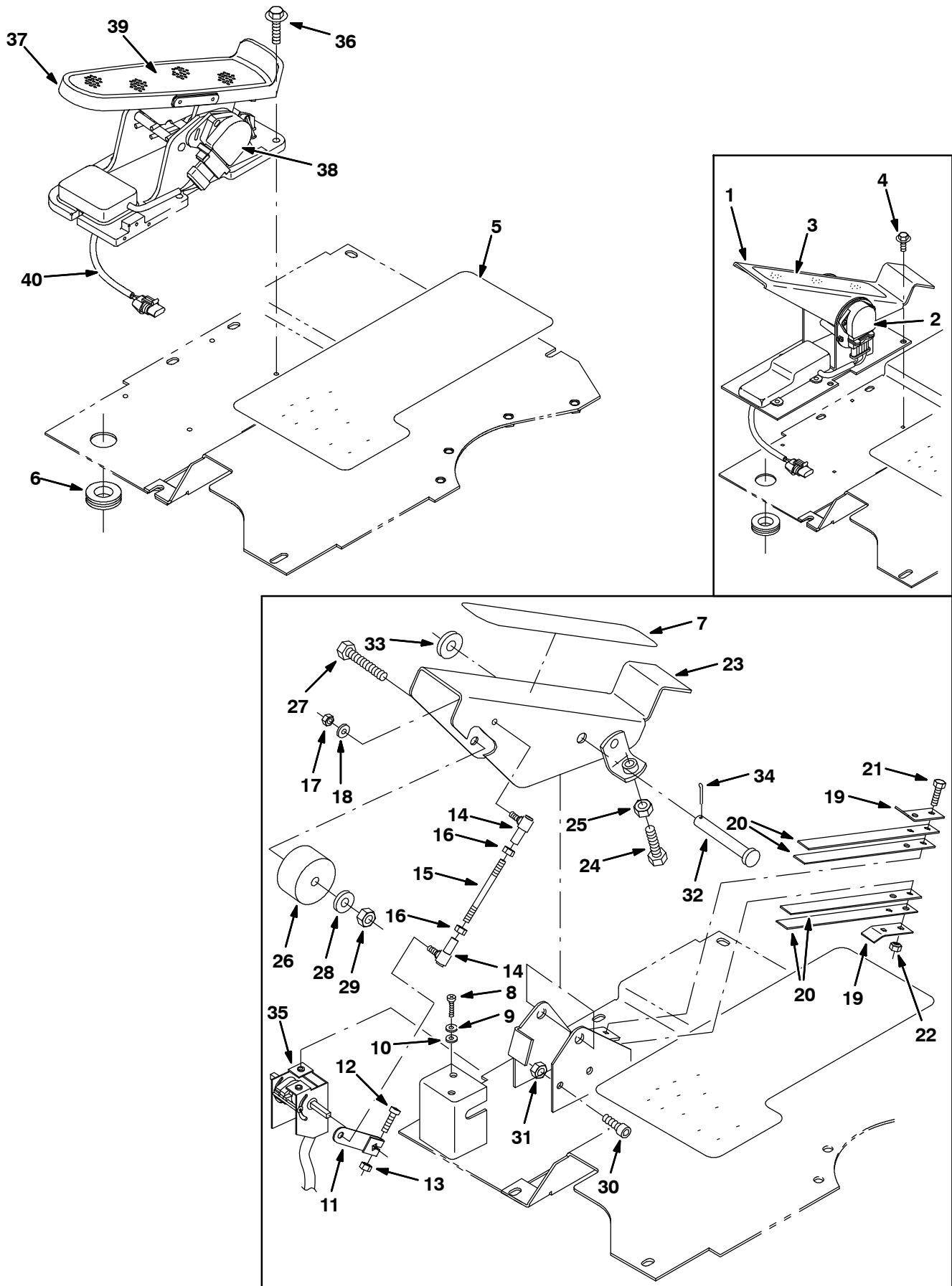


Fig. 10 - Directional Control Group

	Ref.	Tennant Part No.	Machine Serial Number	Description	Qty.
▽	1	387700	(001947-003394 )	Pedal Assy, Foot (Replaced by 1042524)	1
▲	2	385726	(001947-003394 )	Sensor, Pedal Position	1
▲	3	82839	(001947-003394 )	Tread, Non Skid, 2.2w 11.5l	1
	4	74455	(001947-003394 )	Screw, Hex, M06-1.0 X 12, Fmg	4
	5	387392	(001947- )	Tread, Non-Skid, 06.0w X 15.5l	1
	6	10632	(001947- )	Grommet, Rbr, 0.89id, F/ 1.2h, .14matl	1
	7	82839	(000000-001946 )	Tread, Non-Skid, 02.2 11.5	1
	8	06931	(000000-001946 )	Screw, Pan, M05 X 0.8 X 6, 4.8	2
	9	01683	(000000-001946 )	Washer, Flt, #10 Ss	2
	10	32980	(000000-001946 )	Washer, Lock, Int, #10	2
	11	223239	(000000-001946 )	Arm, Cntrl, Throttle, Electronic	1
	12	39717	(000000-001946 )	Screw, Pan, .25-20 X 1.00, 2	1
	13	32981	(000000-001946 )	Nut, Hex, Lock, .25-20, NI	1
	14	14601	(000000-001946 )	Balljoint, .25-28 Fem/.25-28mal	2
	15	223090	(000000-001946 )	Rod, Thr, 2 End, .25-28 04.4l	1
	16	01714	(000000-001946 )	Nut, Hex, Std, .25-28	2
	17	13513	(000000-001946 )	Nut, Hex, Lock, .25-28, NI	2
	18	32490	(000000-001946 )	Washer, Flt, .25 Std	2
	19	223601	(000000-001946 )	Retainer, Spring	2
	20	223600	(000000-001946 )	Strip, Stl, 0.05th X 00.75w, 07.80l	4
	21	06944	(000000-001946 )	Screw, Hex, M06 X 1.0 X 25, 8.8	2
	22	08708	(000000-001946 )	Nut, Hex, Lock, M06 X 1.0, NI	2
	23	223320	(000000-001946 )	Pedal Wldt, Accelerator	1
	24	39284	(000000-001946 )	Screw, Hex, M10 X 1.5 X 35, 8.8	1
	25	39312	(000000-001946 )	Nut, Hex, Std, M10 X 1.5	1
	26	87725	(000000-001946 )	Spacer	1
	27	06963	(000000-001946 )	Screw, Hex, M10 X 1.5 X 60, 8.8	1
	28	32485	(000000-001946 )	Washer, Flt, .38 Sae	1
	29	41430	(000000-001946 )	Nut, Hex, Lock, M10 X 1.5, NI	1
	30	39308	(000000-001946 )	Screw, Soc, M08 X 1.25 X 25, 12.9	1
	31	08709	(000000-001946 )	Nut, Hex, Lock, M08 X 1.25, NI	1
	32	06474A	(000000-001946 )	Pin, Clevis, 0.50 D X 3.50l	1
	33	32486	(000000-001946 )	Washer, Flt, .50 Sae	1
	34	08182	(000000-001946 )	Pin, Cotter, .125 X 1.00	1
	35	223094	(000000-001946 )	Box, Accelerator	1
	36	222159	(003395- )	Screw, Hex, M6 X 1.00 X 25, Fmg	4
▽	37	1034891	(003395- )	Pedal Assy, Propel, 36vdc	1
▲	38	385726	(003395- )	Sensor, Position, Pedal	1
▲	39	1042514	(003395- )	Tread, Non-Skid	1
▲	40	1042513	(003395- )	Circuitboard, Pedal	1

Fig. 11 - Wheel Group, Front Drive

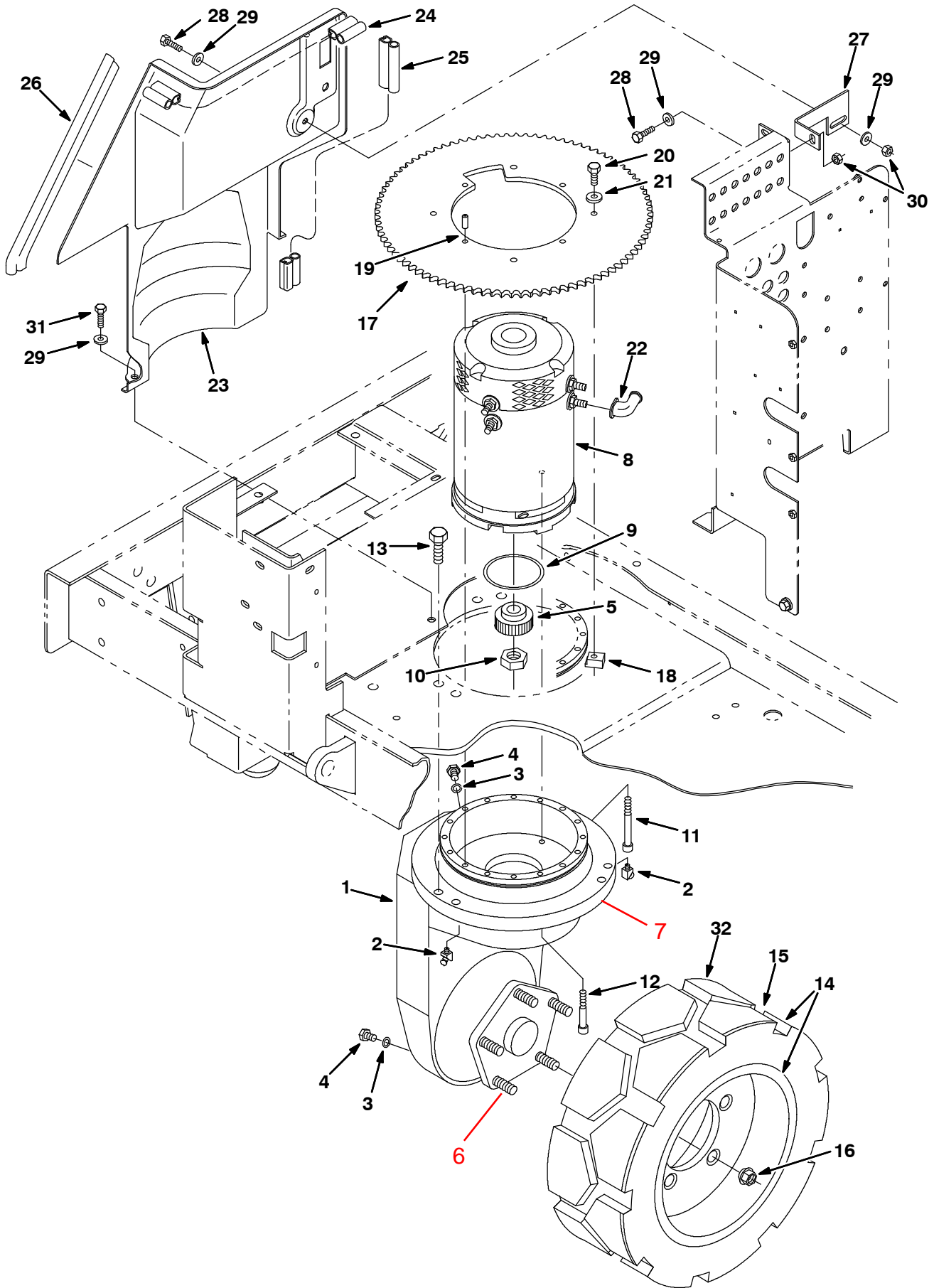


Fig. 11 - Group, Front Drive

Ref.	Tennant Part No.	Machine Serial Number	Description	Qty.
▽	1	87355	(000000- ) Gearbox, 90, Drive Wheel, Rear, [Hu]	1
▲	2	87839	(000000- ) Fitting, Grease	2
▲	3	87840	(000000- ) Seal, O-Ring	2
▲	4	87841	(000000- ) Plug	2
▲	5	87849	(000000- ) Gear, Drive	1
▲	6	12540	(000000- ) Bolt	5
▲	7	61791	(000000- ) Bearing	1
	8	60198	(000000- ) Motor, Ele, Vdc 3.0hp Traction,[201] (See Breakdown)	1
	9	360980	(000000- ) Seal, O-Ring, .139 X 2.98id	1
	10	43957	(000000- ) Nut, Hex, Std, .50-20	1
	11	09030	(000000- ) Screw, Soc, M08 X 1.25 X 80, 12.9	2
	12	09294	(000000- ) Screw, Soc, M08 X 1.25 X 60, 12.9	1
	13	41345	(000000- ) Screw, Hex, M12 X 1.75 X 25, 8.8	6
▽	14	387660	(000000- ) Tire Assy, Solid, 16.2X6.0 5.7Bc/5 Bolt	1
▲	15	387659	(000000- ) Tire, Solid, 16.2X6.0X11.2	1
	16	87750	(000000- ) Nut, Wheel, M14-1.5	5
	17	363385	(000000- ) Sprocket Wldt, #40, 96tooth, 7.00 B	1
	18	14150	(000000- ) Clip, Sprocket	4
	19	14296	(000000- ) Pin, Roll, .310 D X 0.75l, .312/.318	4
	20	16931	(000000- ) Screw, Hex, M08 X 1.25 X 20, 8.8	4
	21	41187	(000000- ) Washer, Belleville, .38	4
	22	02076	(000000- ) Boot, 90deg .50d .57d X .84	4
▽	23	387346	(000000-004999 ) Panel, Motor, Cover W/ Label	1
▲	24	386458	(000000-004999 ) Seal, Bulb, [Sd-504], 15.52l	1
▲	25	386459	(000000-004999 ) Seal, Bulb, [Sd-504], 27.90l	1
▲	26	386558	(000000-004999 ) Seal, Bulb, [Sd-168], 12.50l	1
▽	23	9006951	(005000- ) Panel, Motor, Cover, W/ Label, Teal	1
▲	24	386458	(005000- ) Seal, Bulb, [Sd-504], 15.52l	1
▲	25	386459	(005000- ) Seal, Bulb, [Sd-504], 27.90l	1
▲	26	386558	(005000- ) Seal, Bulb, [Sd-168], 12.50l	1
	27	387035	(000000-004999 ) Bracket, Panel	1
	27	1056675	(005000- ) Bracket, Panel	1
	28	16931	(000000- ) Screw, Hex, M08 X 1.25 X 20, 8.8	2
	29	32491	(000000- ) Washer, Flt, .31 Std	8
	30	08709	(000000- ) Nut, Hex, Lock, M08 X 1.25,NI	2
	31	16735	(000000- ) Screw, Hex, M08 X 1.25 X 16, 8.8	4
	32	1059346	(000000- ) Tire, Drive, Scrbr, Non-Skid, 16.0X6.0 (Option)	1
	32	1061975	(000000- ) Tire, Drive, Scrbr, Pu, Grey,16.0X6.0 (Polyurethane Option)	1

Fig. 12 - Brake Pedal Group

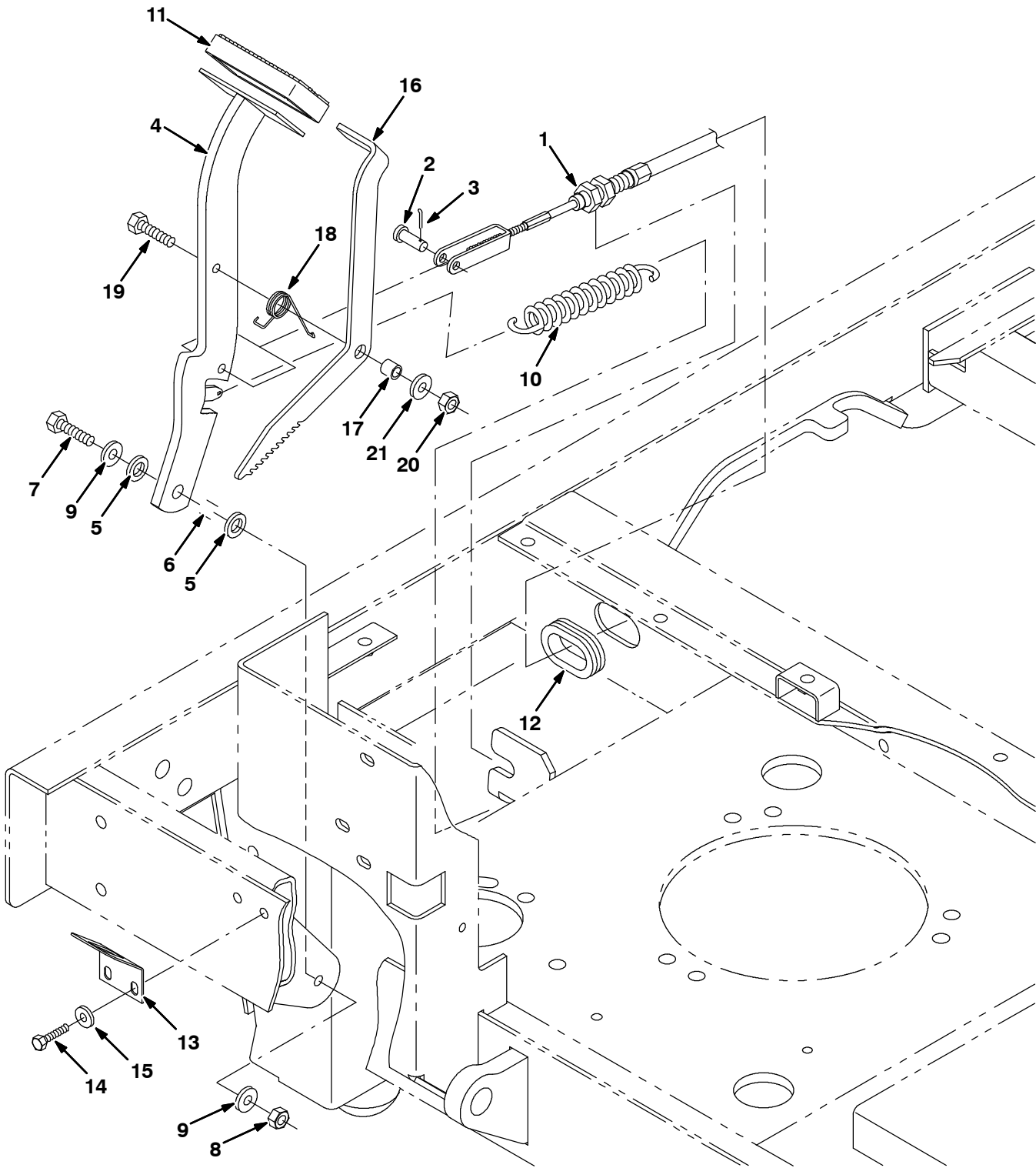


Fig. 12 - Brake Pedal Group

Ref.	Tennant Part No.	Machine Serial Number	Description	Qty.
1	386229	(000000-	) Cable, Pull	1
2	69582	(000000-	) Pin, Clevis, 0.31 D X 1.00l	1
3	39005	(000000-	) Pin, Cotter, .094 X 0.75	1
4	1056860	(000000-	) Lever Wldt, Iron Gray	1
5	86860	(000000-	) Bearing, Thrust	2
6	222460	(000000-	) Sleeve	1
7	09026	(000000-	) Screw, Hex, M08 X 1.25 X 40, Ss	1
8	08713	(000000-	) Nut, Hex, Lock, M08 X 1.25,NI, Ss	1
9	01685	(000000-	) Washer, Flt, .31 Ss	2
10	379217	(000000-	) Spring, Extn, 1.00od X 0.11wir, 5.5l	1
11	51109	(000000-	) Pad	1
12	10632-13	(000000-	) Grommet, Rbr, 1.50id, F/ 1.8h, .31matl	1
13	386915	(000000-	) Plate, Stop	1
14	06943	(000000-	) Screw, Hex, M06 X 1.0 X 20, 8.8	2
15	32490	(000000-	) Washer, Flt, .25 Std	2
16	1056937	(000000-	) Pedal, Brake, Parking, Iron Gray	1
17	46563	(000000-	) Bushing, Sleeve, 0.37b 0.50d 0.50l	1
18	59009	(000000-	) Spring, Tors, 0.75id .06wir 02.8coil	1
19	06955	(000000-	) Screw, Hex, M08 X 1.25 X 35, 8.8	1
20	08709	(000000-	) Nut, Hex, Lock, M08 X 1.25,NI	1
21	39349	(000000-	) Washer, Flt, .31 Sae	1

Fig. 13 - Wheel And Brake Group, Rear

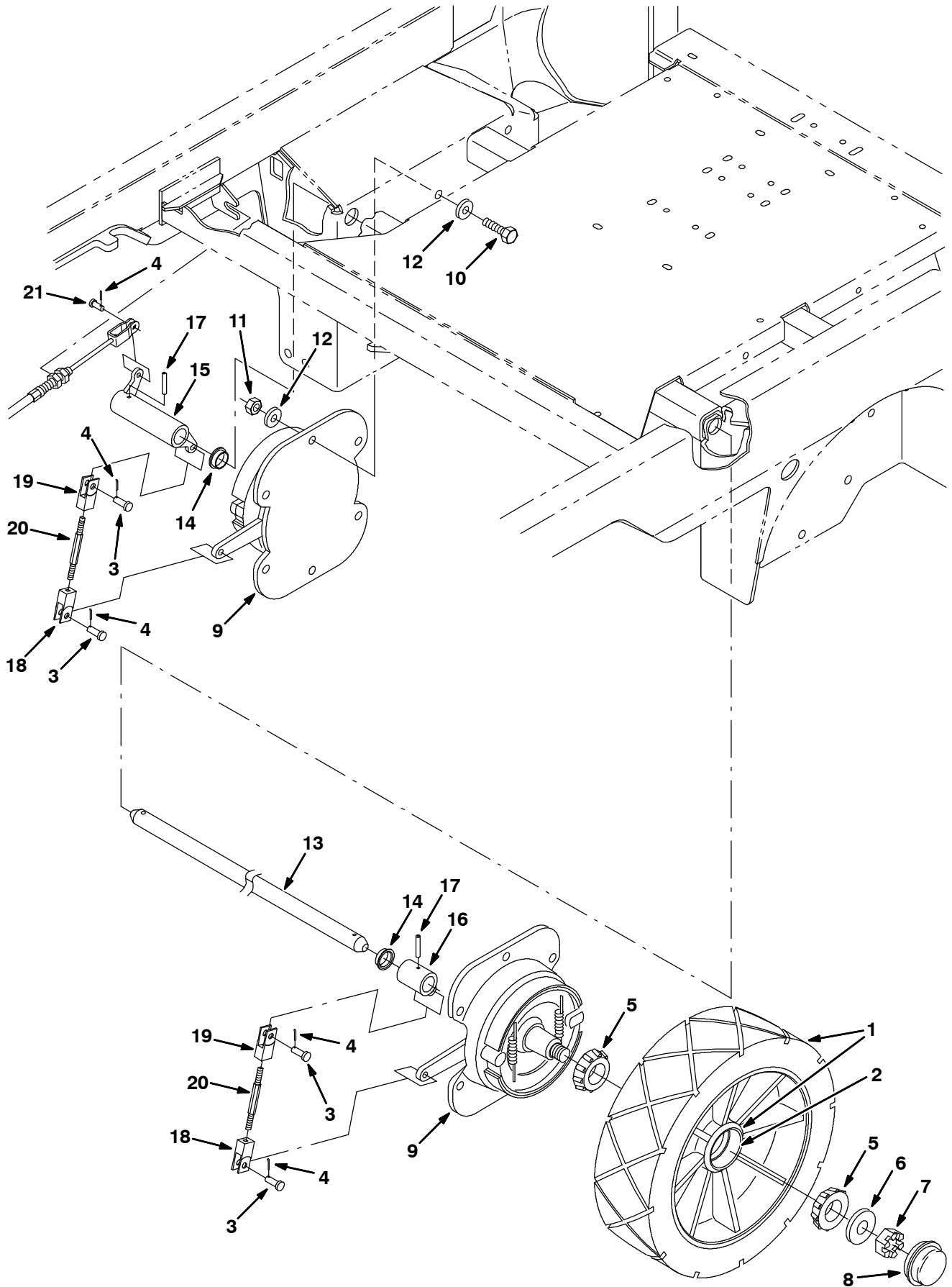




Fig. 13 - Wheel And Brake Group, Rear

	Ref.	Tennant Part No.	Machine Serial Number	Description	Qty.
▽	1	1059348	(000000-	) Tire, Idler, Scrbr, Blk, 16.0X5.0	2
▲	2	51338	(000000-	) Bearing, Cup, 2.56d 0.55w	2
▽	1	1061976	(000000-	) Tire, Idler, Scrbr, Pu, Grey, 16.0X5.0 (Polyurethane Option)	2
▲	2	51338	(000000-	) Bearing, Cup, 2.56d 0.55w	2
▽	1	387015	(000000-	) Tire Assy, Non-Skid, 16X5X12.12 (Option)	2
▲	2	51338	(000000-	) Bearing, Cup, 2.56d 0.55w	2
	3	09088	(000000-	) Pin, Clevis, 0.37 D X 1.00l	4
	4	39005	(000000-	) Pin, Cotter, .094 X 0.75	5
	5	51339	(000000-	) Bearing, Cone, 1.38b 0.71w	4
	6	32969	(000000-	) Washer, Flat, 1.00 Sae Hard	2
	7	14242	(000000-	) Nut, Hex, Sltd, 1.00-20	2
	8	54390	(000000-	) Cap, Hub 2.567 Hole	2
▽	9	54577	(000000-	) Brake Assy	2
▲		66211	(000000-	) Brake Shoes	2
▲		66213	(000000-	) Brake Repair Kit	1
▲		70161	(000000-	) Chrome Pltd Cam Shaft	1
▲		70158	(000000-	) Return Spring-Brakes	2
	10	06969	(000000-	) Screw, Hex, M12 X 1.75 X 40, 8.8	12
	11	08711	(000000-	) Nut, Hex, Lock, M12 X 1.75,NI	12
	12	32486	(000000-	) Washer, Flt, .50 Sae	24
	13	386367	(000000-	) Shaft	1
	14	83733	(000000-	) Bushing, Flng, 1.00b 1.13d 0.38l	2
	15	1056859	(000000-	) Arm Wldt, Brake, Rh, Iron Gray [7200]	1
	16	1056861	(000000-	) Arm Wldt, Brake, Lh, Iron Gray [7200]	1
	17	26315	(000000-	) Pin, Roll, .250 D X 1.50l, .250/.256	2
	18	1023676	(000000-	) Clevis, Adj, 0.38pin, 0.31-24, PI	2
	19	1023677	(000000-	) Clevis, Adj, 0.38pin, 0.31-24, Lh, PI	2
	20	386378	(000000-	) Rod, Threaded	2
	21	10120	(000000-	) Pin, Clevis, 0.31 D X 0.75l	1



Fig. 14 - Solution Tank Group

Ref.	Tennant Part No.	Machine Serial Number	Description	Qty.	
1	1056849	(000000-	) Bracket, Mtg, Tank, Iron Gray	1	
2	01685	(000000-	) Washer, Flt, .31 Ss	9	
3	12273	(000000-	) Screw, Hex, M08 X 1.25 X 20, Ss, NI	7	
4	386224	(000000-	) Fitting, Plstc, Bkhd, Pf16/Pf16	1	
5	223499	(000000-	) Fitting, Plstc, Str, Pm16/Pm16 Close	1	
6	365093	(000000-	) Fitting, Plstc, E90, 16bm/16pm	1	
7	386420	(000000-	) Hose, Water, 1.0id 4.5l	1	
8	11399	(000000-	) Clamp, Hose, Wormdrive, 0.81-1.50d	4	
9	365096	(000000-	) Fitting, Plstc, Tee, Bm16/Pf12/Bm16	1	
10	69785	(000000-	) Fitting, Plstc, E90, Pm12/Pf12	1	
11	24544	(000000-	) Fitting, Plstc, Str, Pm12/Pm12	2	
12	42133A	(000000-	) Fitting, Plstc, Tee, Pf12/Pf12/Pf12	2	
13	386421	(000000-	) Hose, Water, 1.0id 2.25l	1	
14	57379	(000000-	) Fitting, Plstc, Str, Pm12/Bm16	1	
15	75611	(000000-	) Fitting, Plstc, Plug, Pm12	2	
16	386419	(000000-	) Pin, Hinge, Cover	1	
17	386643	(000000-	) Spring, Cover	1	
18	49740	(000000-	) Cap, Plastic	2	
19	387683	(000000-004999)	) Tank Kit, Soltn, W/ Label, Replmt [7300]	1	
19	9006972	(005000-	) Tank Kit, Soltn, W/ Label, Teal, Replmt	1	
▽	20	387594	(000000-004999)	) Cover Kit, Soltn, W/ Gasket	1
▲	21	386320	(000000-004999)	) Gasket, Celr Ure, .50, 05.94w 08.88l,Adh	1
▽	20	9006967	(005000-	) Cover Kit, Soltn, W/ Gasket, Teal	1
▲	21	386320	(005000-	) Gasket, Celr Ure, .50, 05.94w 08.88l,Adh	1
	21	386162	(000000-	) Cover, Tank, Solution	1
	22	386324	(000000-	) Handle	1
	23	386222	(000000-	) Bar	1
	24	78842	(000000-	) Kit, Valve, Check	1
	25	78740	(000000-	) Plug, Cap	1
	26	386160	(000000-004999)	) Channel	1
	26	1056382	(005000-	) Channel, .19, 2.5w 1.0 29.3l, H&S, Gray	1
	27	01686	(000000-	) Washer, Flt, .38 Ss	2
	28	77347	(000000-	) Screw, Hex, M10 X 1.5 X 35, Ss	2
	29	387061	(000000-	) Bracket, Full	1
	30	63416	(000000-	) Washer, 0.31b 0.88d .12, Rbr	1
	31	09011	(000000-	) Screw, Hex, M08 X 1.25 X 30, Ss	1
	32	23456	(000000-	) Cap, Tank, Drain, 6.17 Thread Pye	1
	33	1031699	(000000-	) Gasket, .19, 4.05id 5.29od [Buna]	1
	34	86636	(000000-	) Cover, Tank	1
	35	20810	(000000-	) Filter, Soltn, 20mesh, Pf16 3.1d 02.3l	1
	36	79273-2	(000000-	) Fitting, Plstc, Str, Bm12/Pm12	1
	37	08713	(000000-	) Nut, Hex, Lock, M08 X 1.25,NI, Ss	1
	38	223528	(000000-001986)	) Grommet, Level Sensing 1.6 D 9.6L	1
	39	49745	(000000-001986)	) Fitting, Plstc, Plug, PM16	1
	40	391451	(001987-	) Label, Attention Fast Users	1
	41	375431	(001987-	) Kit, Replmt, Press Switch/34" Tube	1

**Fig. 15 - FaST Solution Pump Group (000000-003746)**

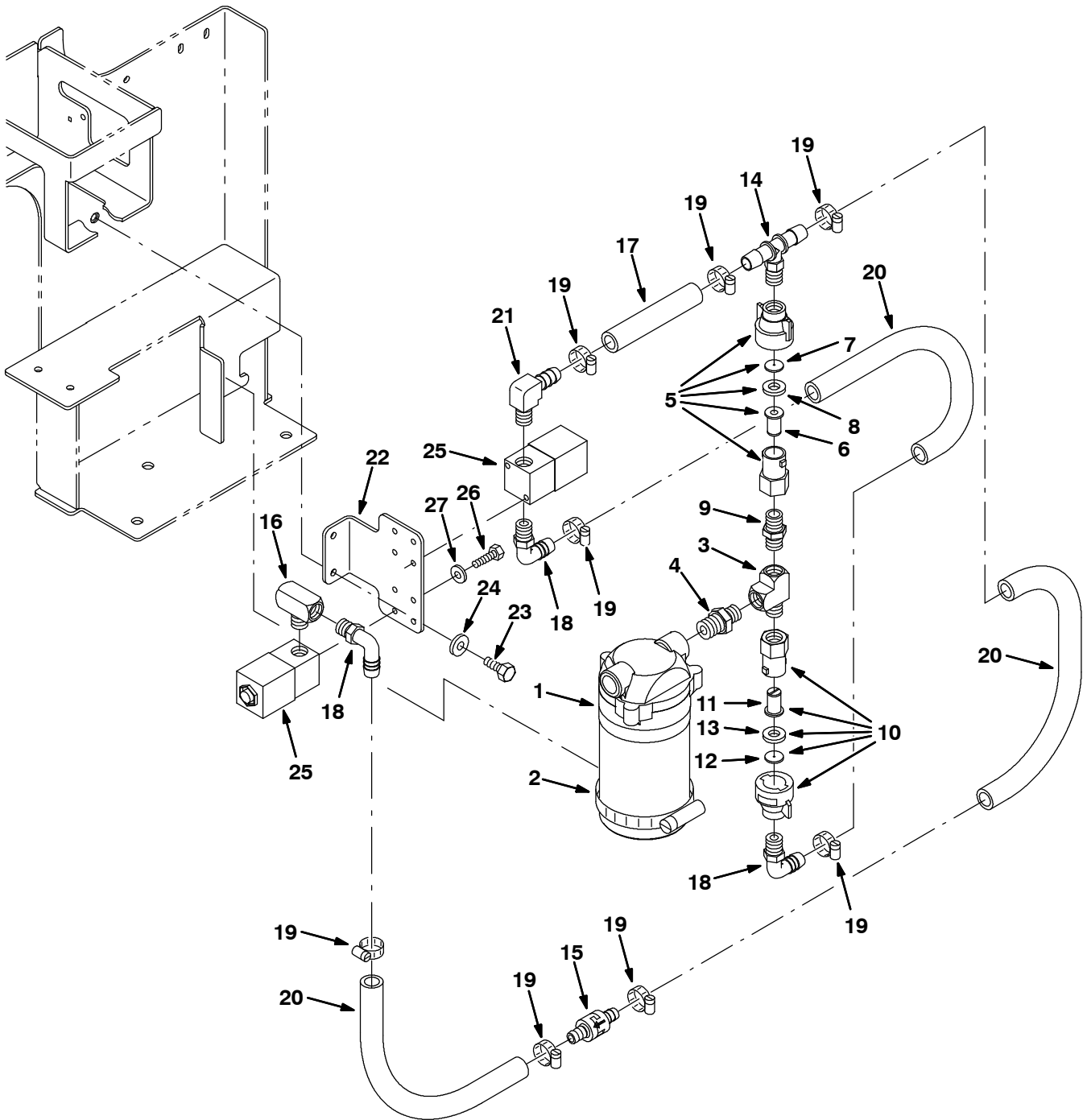


Fig. 15 - FaST Solution Pump Group (000000-003746)

Ref.	Tennant Part No.	Machine Serial Number	Description	Qty.
1	1005866	(000000-003746 )	Pump, Soltn, Ele, 36vdc	1
2	43555	(000000-003746 )	Clamp, Hose, Wormdrive, 1.62-3.50d	1
3	24929	(000000-003746 )	Fitting, Brs, Tee, Pf04/Pf04/Pm04	1
4	1010835	(000000-003746 )	Fitting, Brs, Str, Pm04/Pm06	1
▽	5	1010655	(000000-003746 ) Fitting Assy, Cap, 0.067b, Pf04	1
▲	6	1006447	(000000-003746 ) Screen, 50 Mesh, Ss	1
▲	7	1010658	(000000-003746 ) Plate, Orifice, 0.067id	1
▲	8	1005508	(000000-003746 ) Washer, Flat, 0.34b 0.75d 0.12, Viton	1
	9	398468	(000000-003746 ) Fitting, Brs, Str, Pm04/Pm04	1
▽	10	1010660	(000000-003746 ) Fitting Assy, Cap, 0.086b, Pf04	1
▲	11	1006447	(000000-003746 ) Screen, 50 Mesh, Ss	1
▲	12	1010661	(000000-003746 ) Plate, Orifice, 0.086id	1
▲	13	1005508	(000000-003746 ) Washer, Flat, 0.34b 0.75d 0.12, Viton	1
	14	1010791	(000000-003746 ) Fitting, Plstc, Tee, Bm08/Pm04/Bm08 Nyl	1
	15	1010614	(000000-003746 ) Valve, Check, 2 Gpm 3" 06bm/08bm	1
	16	53268	(000000-003746 ) Fitting, Brs, Tee, Pf04/Pm04/Pf04	1
	17	1011403	(000000-003746 ) Hose, Afmkt Replmt, Pvc, Brd 0.50id 1 Ft	1
	18	1010713	(000000-003746 ) Fitting, Plstc, E90, Bm08/Pm04 Nyl	3
	19	54333	(000000-003746 ) Clamp, Hose, Wormdrive, 0.31-0.88d	8
	20	1011521	(000000-003746 ) Hose, Afmkt Replmt, Pvc, Brd 0.50id 2 Ft	3
	21	1010836	(000000-003746 ) Fitting, Brs, E90, Pm04/Bm08	1
	22	1013857	(000000-003746 ) Bracket, Mtg, Valve, Solenoid	1
	23	06942	(000000-003746 ) Screw, Hex, M6 X 1.0 X 16, 8.8	2
	24	32490	(000000-003746 ) Washer, Flat, 0.25 Std	2
	25	1028581	(000000-003746 ) Valve, Water, 36vdc, 6.0mm, 04pf	2
	26	09252	(000000-003746 ) Screw, Hex, M5 X 0.8 X 20, 8.8	4
	27	19066	(000000-003746 ) Washer, Flat, #10	4

**Fig. 16 - FaST Air Pump and Detergent Group (000000-003746)**

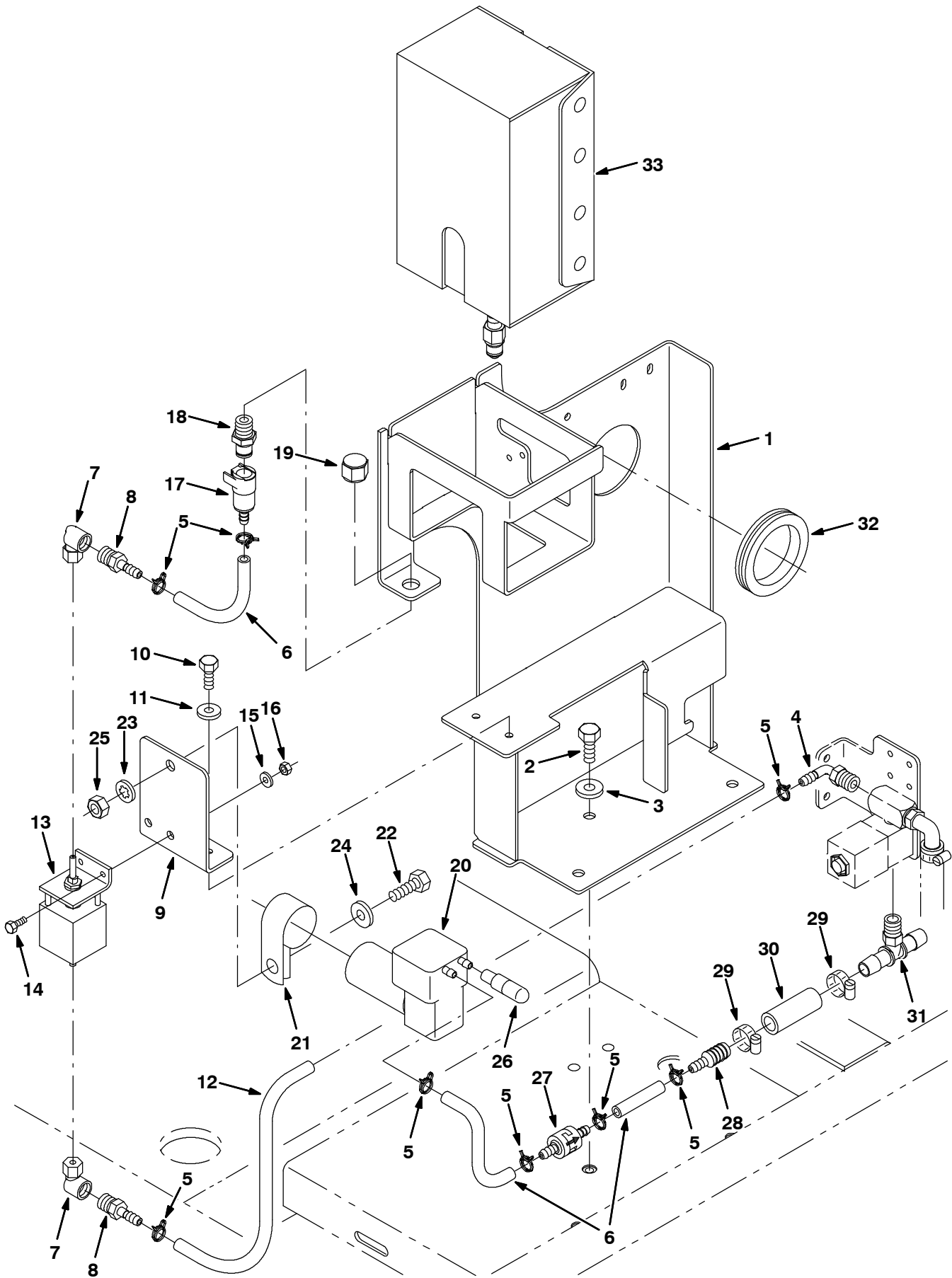


Fig. 16 - FaST Air Pump and Detergent Group (000000-003746)

Ref.	Tennant Part No.	Machine Serial Number	Description	Qty.
1	1010797	(000000-002447 )	Bracket Wldt [7300/8300-FaST]	1
1	1024009	(002448-003746 )	Bracket Wldt [7300/8300 FaST]	1
2	16931	(000000-003746 )	Screw, Hex, M8 X 1.25 X 20, 8.8	3
3	32491	(000000-003746 )	Washer, Flat, 0.31 Std	3
4	1011170	(000000-003746 )	Fitting, Plstc, E90, Bm04/Pm04 Nyl	1
5	613735	(000000-003746 )	Clamp, Hose .40 - .42 2 Wire	8
6	1014987	(000000-003746 )	Hose, Afmkt, Pvc, Clr 0.25id 1 Ft	2
7	1014082	(000000-003746 )	Fitting, Brs, E90, Cf03/Pf02	2
8	150525	(000000-003746 )	Fitting 1/8mx1/4h Barb Brs	2
9	1013866	(000000-003746 )	Bracket, Mtg, Pump, Detgt [7300/8300]	1
10	06942	(000000-003746 )	Screw, Hex, M6 X 1.0 X 16, 8.8	2
11	32490	(000000-003746 )	Washer, Flat, 0.25 Std	2
12	1014986	(000000-003746 )	Hose, Afmkt, Pvc, Clr 0.25id 2 Ft	1
13	1014056	(000000-003746 )	Pump, Detgt, 560s	1
14	09206	(000000-003746 )	Screw, Hex, M4 X 0.7 X 12, 8.8	2
15	19064	(000000-003746 )	Washer, Flat, #06	2
16	02850	(000000-003746 )	Nut, Hex, Lock, M 4 X 0.7, NI	2
17	1002898	(000000-003746 )	Coupling, Fem, W/ Valve, .25 Brb	1
18	1002899	(000000-003746 )	Coupling, Mal, .25 Npt	1
19	1005435	(000000-003746 )	Fitting, Plstc, Cap, Pf04	1
20	1008211	(000000-003746 )	Pump, Air, Ele, 36vdc	1
21	53466	(000000-003746 )	Clamp, Cable, Stl, 1.50d X 1.00w, 1h	1
22	09010	(000000-003746 )	Screw, Hex, M8 X 1.25 X 25, Ss	1
23	32984	(000000-003746 )	Washer, Lock, Int, .31	1
24	32491	(000000-003746 )	Washer, Flat, 0.31 Std	1
25	08709	(000000-003746 )	Nut, Hex, Lock, M8 X 1.25, NI	1
26	1005255	(000000-003746 )	Filter Assy, Air, Molded Ure	1
27	1010871	(000000-003746 )	Valve, Check, 2 Gpm 0.5psi Bm04/Bm04	1
28	25620	(000000-003746 )	Fitting, Plstc, Str, Bm04/Bm08	1
29	54333	(000000-003746 )	Clamp, Hose, Wormdrive, 0.31-0.88d	2
30	1011403	(000000-003746 )	Hose, Afmkt Replmt, Pvc, Brd 0.50id 1 Ft	1
31	1010791	(000000-003746 )	Fitting, Plstc, Tee, Bm08/Pm04/Bm08 Nyl	1
32	10632-19	(000000-003746 )	Grommet, Rbr, 2.13id, F/ 2.5h, .12 Matl	1
33	1017015	(000000-003746 )	Detergent Pkg, 2 Liter, Sgl, 365	1
33	1017022	(000000-003746 )	Detergent Pkg, 2 Liter, Sgl, 665	1
33	1021878	(000000-003746 )	Detergent Pkg, 4 Liter, Sgl [Tco 665]	1

Fig. 17 - FaST Foam Filter Group (000000-003746)

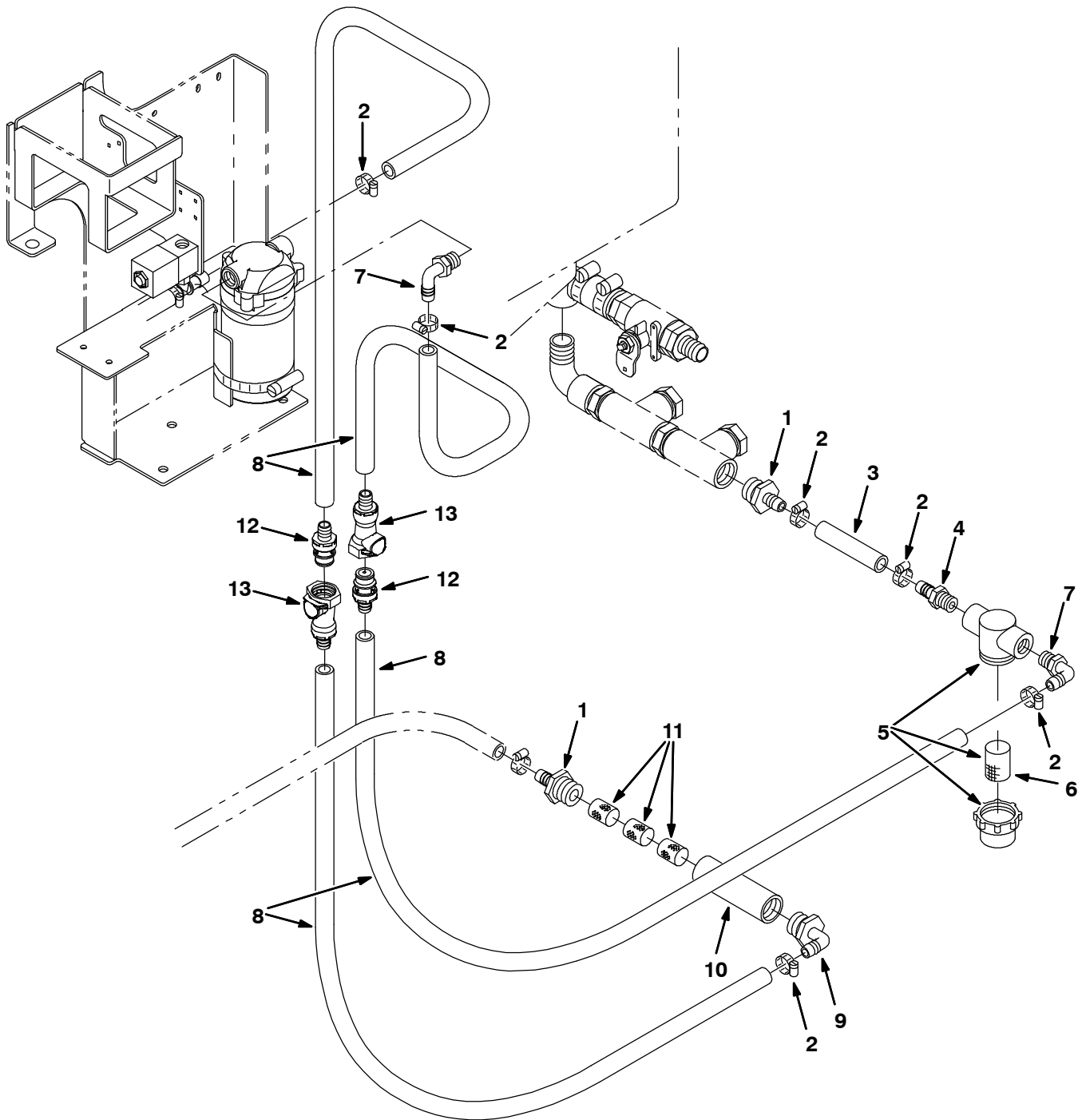




Fig. 17 - FaST Foam Filter Group (000000-003746)

Ref.	Tenant Part No.	Machine Serial Number	Description	Qty.	
1	79273-1	(000000-003746 )	Fitting, Plstc, Str, Bm08/Pm12	1	
2	54333	(000000-003746 )	Clamp, Hose, Wormdrive, 0.31-0.88d	6	
3	1011403	(000000-003746 )	Hose, Afmkt Replmt, Pvc, Brd 0.50id 1 Ft	1	
4	64743	(000000-003746 )	Fitting, Plstc, Str, Bm08/Pm06	1	
▽	5	1005302	(000000-003746 )	Filter, Inline, Pf06/Pf06, 80 Mesh	1
▲	6	1005304	(000000-003746 )	Screen, Filter, 80 Mesh	1
7	64778	(000000-003746 )	Fitting, Plstc, E90, Bm08/Pm06	2	
8	1011835	(000000-003746 )	Hose, Afmkt Replmt, Pvc, Brd 0.50id 20ft	1	
9	1005552	(000000-003746 )	Fitting, Plstc, E90, Bm08/Pm12, Nyl	1	
10	1005086	(000000-003746 )	Tube, Pvc, Shc80, Clear, 4.0l	1	
11	1002789	(000000-003746 )	Filter, Foam	3	
12	1017415	(000000-003746 )	Coupling Insert, Qm, Bm08	1	
13	1017413	(000000-003746 )	Coupling Body, Qf, Pm08	1	

Fig. 18 - FaST Pumps and Detergent Group (003747- )

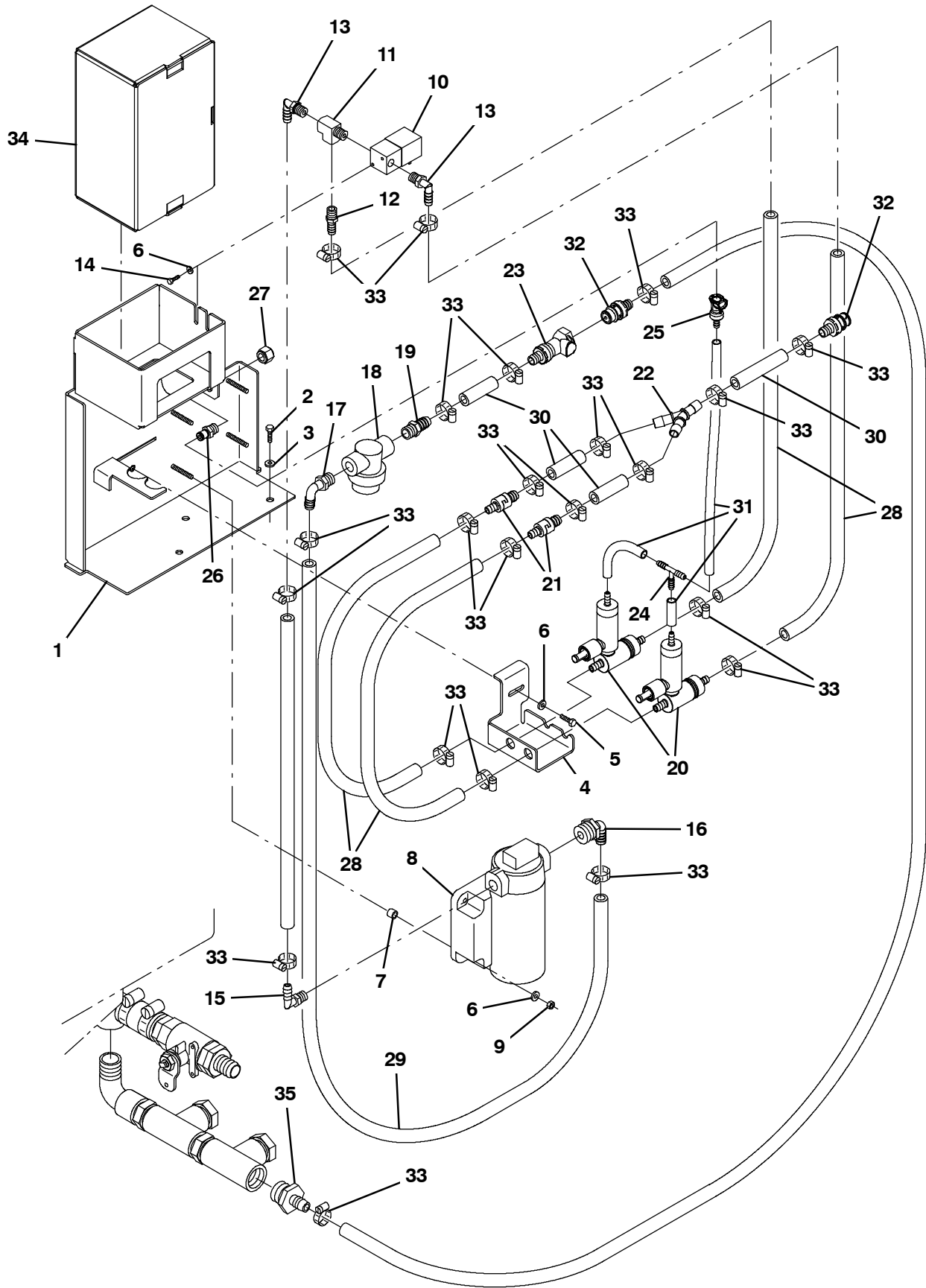


Fig. 18 - FaST Pumps and Detergent Group (003747- )

Ref.	Tennant Part No.	Machine Serial Number	Description	Qty.
1	1050771	(003747- )	Bracket Wldt [7300/8300 Fast li+]	1
2	16735	(003747- )	Screw, Hex, M8 X 1.25 X 16, 8.8	3
3	32491	(003747- )	Washer, Flat, 0.31, Std	3
4	1050805	(003747- )	Bracket, Mtg [Fast li+]	1
5	06942	(003747- )	Screw, Hex, M6 X 1.00 X 16, 8.8	1
6	01683	(003747- )	Washer, Flat, 10, Ss	7
7	360801	(003747- )	Sleeve, 0.32b 0.50d 0.3l, 2cham, Ss	4
8	1045633	(003747- )	Pump, Soltn, 36vdc, 65psi [Fast li+]	1
9	06549	(003747- )	Nut, Hex, Lock, M5 X 0.80, NI	4
10	1028581	(003747- )	Valve, Water, Solenoid, 36vdc 6.0mm Pf04	1
11	150709	(003747- )	Fitting, Brs, Tee, Pm04/Pf04/Pf04, Run	1
12	150540	(003747- )	Fitting, Plstc, Str, Bm06/Pm04	1
13	57248	(003747- )	Fitting, Plstc, E90, Bm06/Pm04, Nyl	2
14	12312	(003747- )	Screw, Hex, M5 X 0.80 X 12, 8.8	2
15	1049259	(003747- )	Fitting, Nyl, Qdc, E90, Bm06/ Qm10	1
16	1049254	(003747- )	Fitting, Nyl, Qdc, E90, Bm08/ Qm10	1
17	64778	(003747- )	Fitting, Plstc, E90, Bm08/Pm06	1
18	1005302	(003747- )	Filter, In-Line, Pf06/Pf06 080mesh 02.6l	1
19	64743	(003747- )	Fitting, Plstc, Str, Bm08/Pm06	1
20	1050333	(003747- )	Injector Assy, High, .052 .010[FaST II+] (See Breakdowns)	2
21	1035794	(003747- )	Valve, Check, 0005psi Bm06/Bm08	2
22	1010668	(003747- )	Fitting, Plstc, Y, Bm08/Bm08/Bm08, Nyl	1
23	1017413	(003747- )	Housing, Cplg, Qf / Pm08	2
24	150713	(003747- )	Fitting, Plstc, Tee, Bm04/Bm04/Bm04	1
25	1002898	(003747- )	Fitting, Plstc, Str, Bm04, Cplg, Fem	1
26	1002899	(003747- )	Fitting, Plstc, Str, Pm04, Cplg, Mal	1
27	1005435	(003747- )	Fitting, Plstc, Pipe, Cap, Pf04	1
28	1006400	(003747- )	Hose, Afmkt, Pvc, Brd, 0.38id, 03ft, Clr	2
29	1011521	(003747- )	Hose, Afmkt, Pvc, Brd, 0.50id, 02ft, Clr	1
30	1011403	(003747- )	Hose, Afmkt, Pvc, Brd, 0.50id, 01ft, Clr	1
31	1014986	(003747- )	Hose, Afmkt, Pvc, Clr, 0.25id, 02ft	1
32	1017415	(003747- )	Insert, Cplg, Qm, Bm08	2
33	54333	(003747- )	Clamp, Hose, Wormdrive, 0.31-0.88d, .31w	22
34	1021878	(003747- )	Fast 665 4 Ltr, Detergent	1
34	9002022	(003747- )	Fast 965 4 Ltr, Detergent	1
35	79273-1	(003747- )	Fitting, Plstc, Str, Bm08/Pm12	1

**Fig. 19 - Solution Control Group**

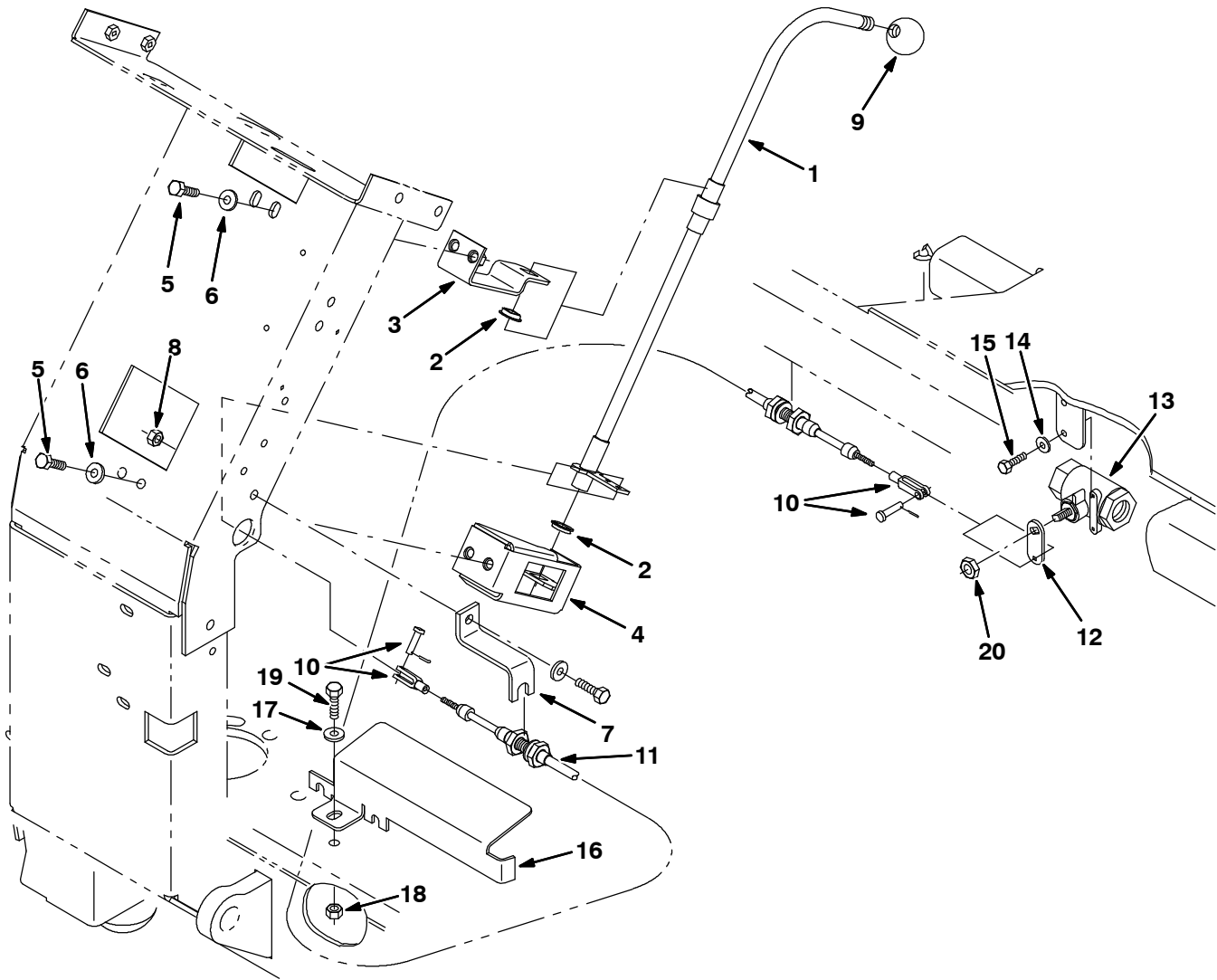


Fig. 19 - Solution Control Group

Ref.	Tennant Part No.	Machine Serial Number	Description	Qty.
1	386116	(000000-	) Rod Wldt	1
2	04843	(000000-	) Bushing, Flng, 0.63b 0.72d 0.25l	2
3	1056929	(000000-	) Bracket, Handle, Water, Iron Gray	1
4	1056928	(000000-	) Bracket Wldt, Hose, Water, Iron Gray	1
5	16735	(000000-	) Screw, Hex, M08 X 1.25 X 16, 8.8	5
6	32491	(000000-	) Washer, Flt, .31 Std	4
7	1056850	(000000-	) Bracket, Cntrl, Cable, Iron Gray	1
8	08709	(000000-	) Nut, Hex, Lock, M08 X 1.25,NI	1
9	26156	(000000-	) Knob, 0.50-20, 1.38d, Plstc	1
10	27880	(000000-	) Clevis, Adj, 0.19pin, #10-32	2
11	386351	(000000-	) Cable, Push Pull	1
12	1057068	(000000-	) Lever, Valve, Water, Iron Gray	1
13	79350	(000000-	) Valve, Water	1
14	01683	(000000-	) Washer, Flt, #10 Ss	2
15	42011	(000000-	) Screw, Hex, #10-24 X 0.50, Ss	2
16	387425	(000000-004999	) Bracket, Guard	1
16	1056481	(005000-	) Bracket, Guard, Iron Gray	1
17	01684	(000000-	) Washer, Flt, .25 Ss	1
18	08712	(000000-	) Nut, Hex, Lock, M06 X 1.0, NI, Ss	1
19	09007	(000000-	) Screw, Hex, M06 X 1.0 X 25, Ss	1
20	363453	(000000-	) Nut, Hex, Lock, .44-20, NI, Thin	1

Fig. 20 - Recovery Tank Group

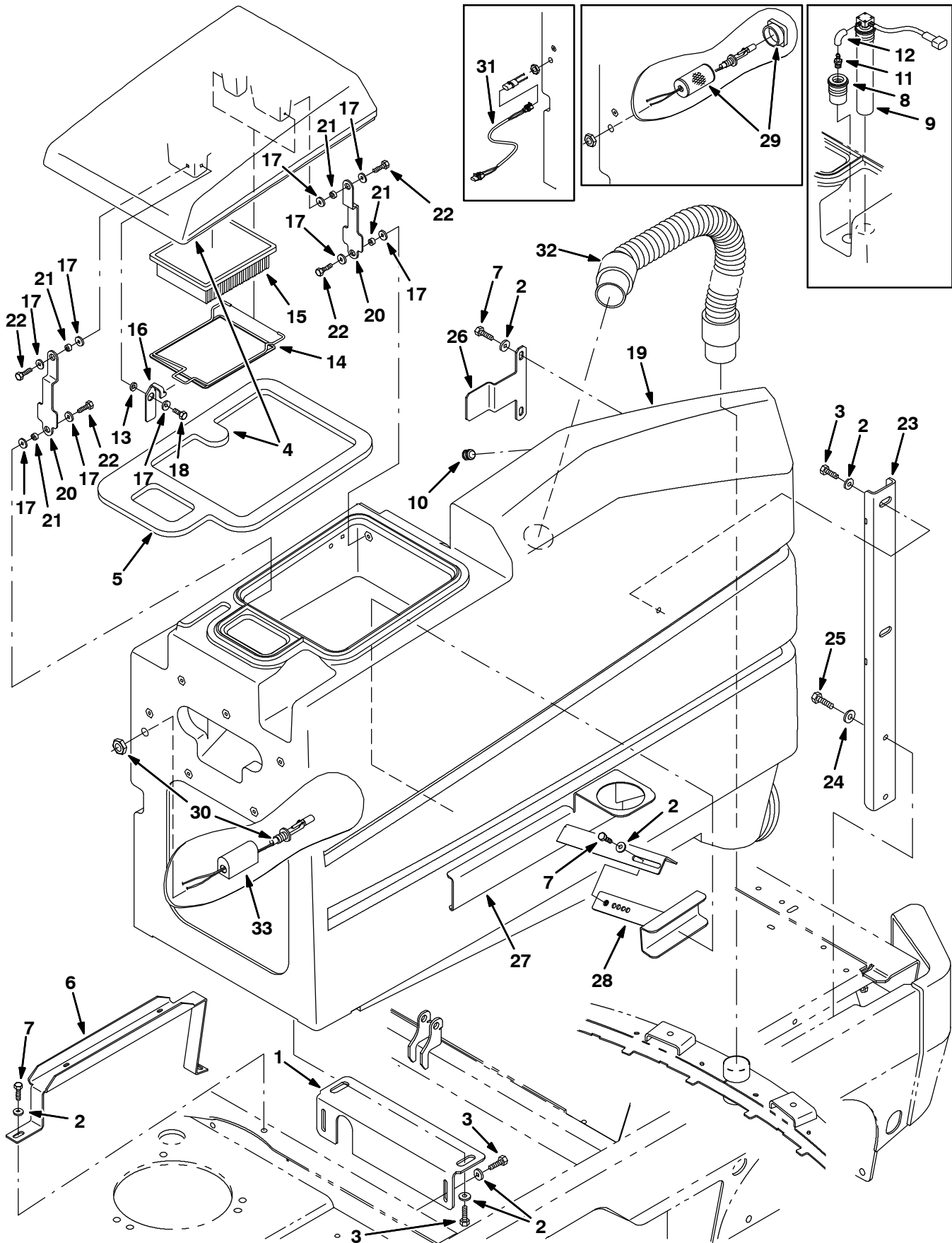


Fig. 20 - Recovery Tank Group

Ref.	Tennant Part No.	Machine Serial Number	Description	Qty.	
1	1056849	(000000-	) Bracket, Mtg, Tank, Iron Gray	1	
2	01685	(000000-	) Washer, Flt, .31 Ss	14	
3	12273	(000000-	) Screw, Hex, M08 X 1.25 X 20, Ss, NI	6	
▽	4	387593	(000000-004999 ) Kit, Cover, Recvy, W/Gasket	1	
▲	5	386223	(000000-004999 ) Gasket, Tank, Recovery	1	
▽	4	9006966	(005000-	) Cover Kit, Recvy, W/ Gasket, Teal	1
▲	5	386223	(005000-	) Gasket, Ure, .50, 12.65w 18.89l, Adh	1
6	1056857	(000000-	) Bracket, Harness, Iron Gray	1	
7	09740	(000000-	) Screw, Hex, M08 X 1.25 X 20, Ss	6	
8	385750	(000000-001541 )	Tube Assy, 2 Inch	1	
9	375429	(000000-001541 )	Switch Assy, Press, 4 Inch	1	
10	386424	(000000-	) Plug, Cap	1	
11	386425	(000000-001541 )	Fitting, Plstc, [90 Bm03/Pm02]	1	
12	13292	(000000-001541 )	Hose, Vacuum, 0.16id X 05.0l	2	
13	386785	(000000-	) Spacer, Latch, Filter	1	
14	387615	(000000-	) Bracket, Retainer, Filter	1	
15	1037822	(000000-	) Filter, Panl, Dust, 2.0 X 06.1 X 07.6	1	
16	386325	(000000-	) Bracket, Retaining, Filter	1	
17	01685	(000000-	) Washer, Flt, 0.38B 0.88D .08, Ss	9	
18	15675	(000000-	) Screw, Hex, M08 X 1.25 X 16, Ss	1	
19	387685	(000000-004999 )	Tank Kit, Recvy, W/ Label, Replmt [7300]	1	
19	9006974	(005000-	) Tank Kit, Recvy, W/ Label, Teal, Replmt	1	
20	386108	(000000-	) Bar	2	
21	360801	(000000-	) Sleeve	4	
22	12273	(000000-	) Screw, Hex, M08 X 1.25 X 20, Ss, NI	4	
23	386160	(000000-	) Channel	1	
24	01686	(000000-	) Washer, Flt, .38 Ss	2	
25	77347	(000000-	) Screw, Hex, M10 X 1.5 X 35, Ss	2	
26	1056868	(000000-	) Bracket, Retaining, Iron Gray	1	
27	386444	(000000-	) Bracket Wldt, Tank	1	
28	386445	(000000-	) Bracket Wldt, Tank	1	
29	375302	(001542-002264 )	Strainer, Soltn, Switch Guard (Repl. By 387649)	1	
30	222822	(001542-002036 )	Sensor, Level, Liquid [Magnetic]	1	
30	385685	(002037-	) Sensor, Level, Liquid, 14vdc 01a .62-11	1	
31	369766	(001542-002036 )	Harness, Sensor, Jumper	1	
32	386267	(000000-	) Hose, Vacuum, 89.0l	1	
33	1019285	(002265-	) Bracket, Protector, Float Switch	1	

Fig. 21 - Recovery Tank Drain Assembly

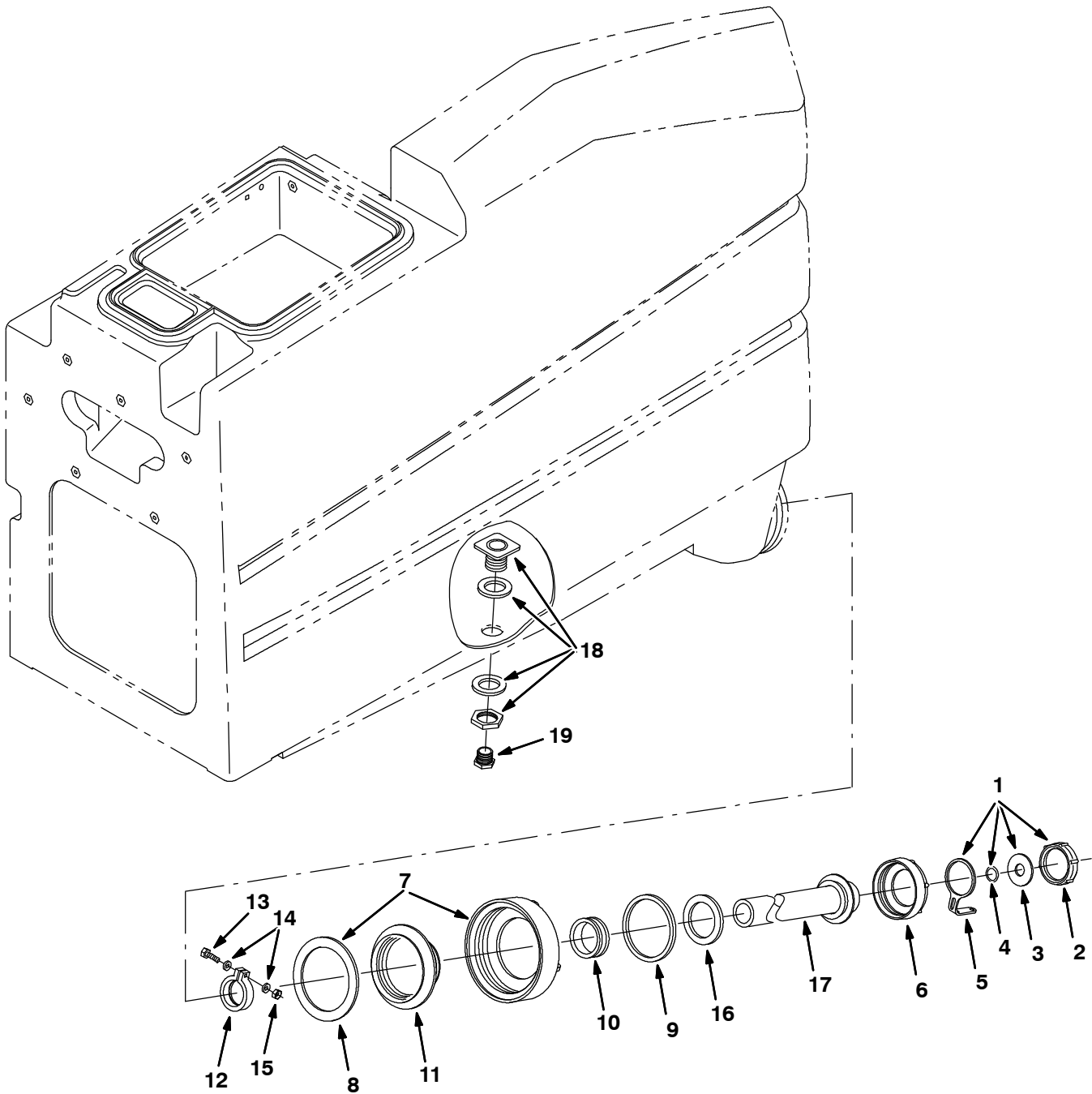




Fig. 21 - Recovery Tank Drain Assembly

Ref.	Tennant Part No.	Machine Serial Number	Description	Qty.
▽	387201	(000000-	) Hose Assy, Drain	1
▲▽	1 32501	(000000-	) Kit, Cap, Drain	1
▲▲	2 32613	(000000-	) Cap, Tank, Drain, 2.25 Thread Pye	1
▲▲	3 32614	(000000-	) Gasket, Cap	1
▲▲	4 32669	(000000-	) Ring, Retaining, Ext, 0.75d, Ss	1
▲▲	5 32508	(000000-	) Strap	1
▲	6 14880	(000000-	) Cap, Tank, Drain, 3.85 Thread Pye	1
▲▽	7 24358	(000000-	) Cap, Tank	1
▲▲	8 1031699	(000000-	) Gasket, .19, 4.05id 5.29od [Buna]	1
▲	9 79320	(000000-	) Gasket, Cap, Drain	1
▲	10 41421	(000000-	) Seal	1
▲	11 14864	(000000-	) Cover, Insert	1
▲	12 41454	(000000-	) Clamp, Hose, Plstc, 1.60d X 0.62w	1
▲	13 12316	(000000-	) Screw, Hex, M05 X 0.8 X 25, Ss	1
▲	14 01683	(000000-	) Washer, Flt, #10 Ss	1
▲	15 09739	(000000-	) Nut, Hex, Lock, M05 X 0.8, NI, Ss	1
▲	16 41451	(000000-	) Gasket, Lid	1
▲	17 386423	(000000-	) Hose Assy, Drain	1
	18 377349	(000000-	) Fitting, Plstc, Bkhd, Pf12/Pf12	1
	19 75611	(000000-	) Fitting, Plstc, Plug, Pm12	1

Fig. 22 - Vacuum Fan Group

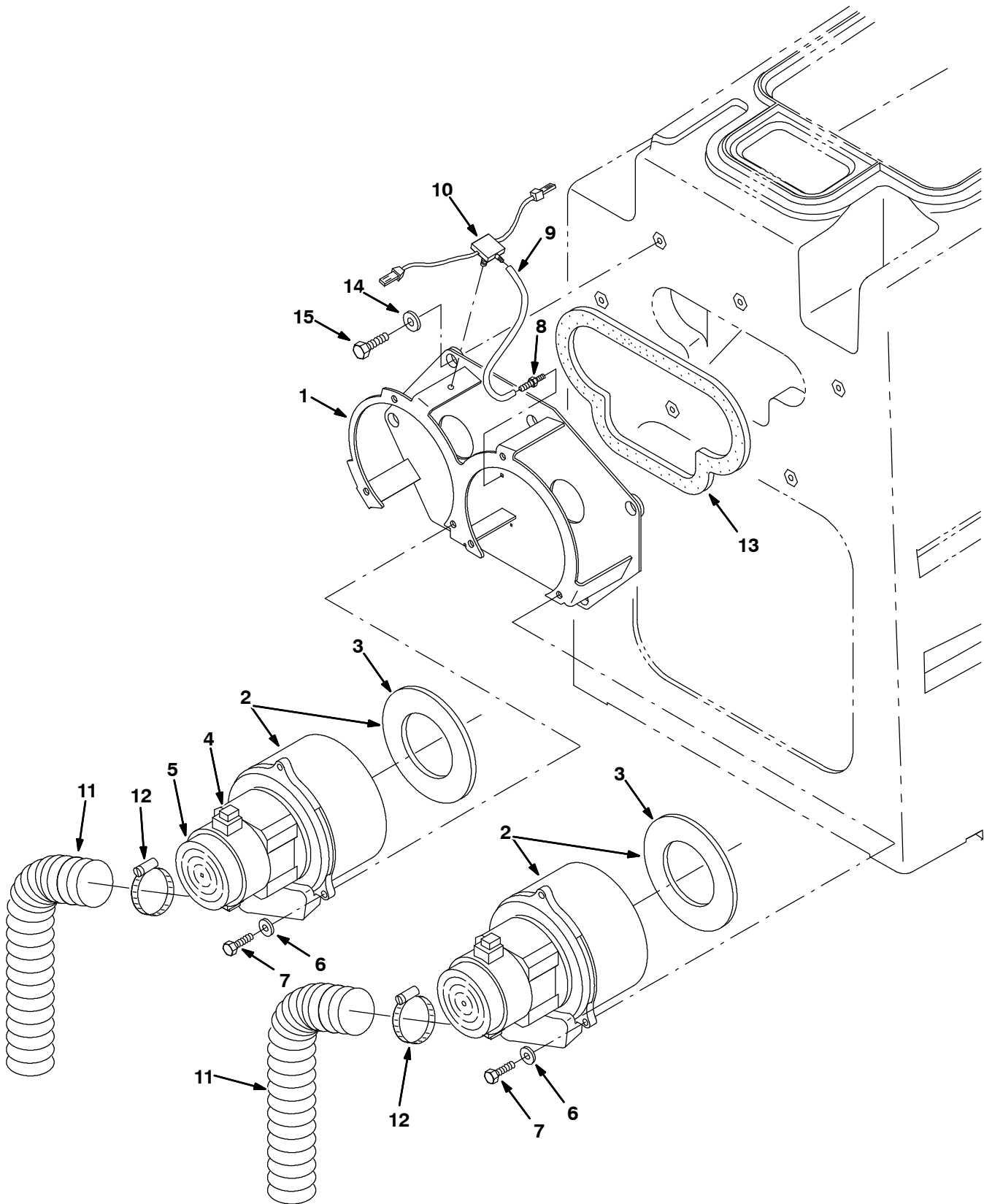


Fig. 22 - Vacuum Fan Group

Ref.	Tennant Part No.	Machine Serial Number	Description	Qty.
	1	386321	(000000-003472 ) Bracket Wldt, Mtg, Fan	1
	1	1056941	(003473- ) Bracket Wldt, Mtg, Fan, Iron Gray	1
▽	2	17363	(000000-001557 ) Fan Assy, Vacuum (See Breakdown) (Replaced by 398520)	2
▲	3	223264	(000000-001557 ) Seal, Rbr, Clsd, 0.25th, 5.8d 03.3h	1
▽	2	398520	(001558-003472 ) Fan Assy, Vacuum (See Breakdown)	2
▲	3	223264	(001558-003472 ) Seal, Rbr, Clsd, 0.25th, 5.8d 03.3h	1
▽	2	9004054	(003473- ) Motor Kit, Vacuum, Replmt	1
▲	3	223264	(003473- ) Seal, Rbr, Clsd, 0.25th, 5.8d 03.3h	1
▲	4	1041772	(003473- ) Brush Kit, Motor	1
▲	5	1041766	(003473- ) Cover, Cooling Fan	1
	6	32483	(000000- ) Washer, Flat, 0.25, Sae	6
	7	06943	(000000- ) Screw, Hex, M6 X 1.00 X 20, 8.8	6
	8	40607	(000000- ) Fitting, Brs, Str, Pm02/Bm03	1
	9	13292	(000000- ) Hose, Vacuum, 0.16id X 05.0l	1
	10	386349	(000000- ) Switch, Vacuum, Dual Level	1
	11	387499	(000000- ) Hose, Vacuum	2
	12	22297	(000000- ) Clamp, Hose, Wormdrive, 1.56-2.50d	2
	13	386323	(000000- ) Gasket, Mtg, Fan	1
	14	13248	(000000- ) Washer, 0.40b 1.12d .12, Stl, Pl	6
	15	15675	(000000- ) Screw, Hex, M08 X 1.25 X 16, Ss	6

Fig. 23 - Scrub Head Lift Group

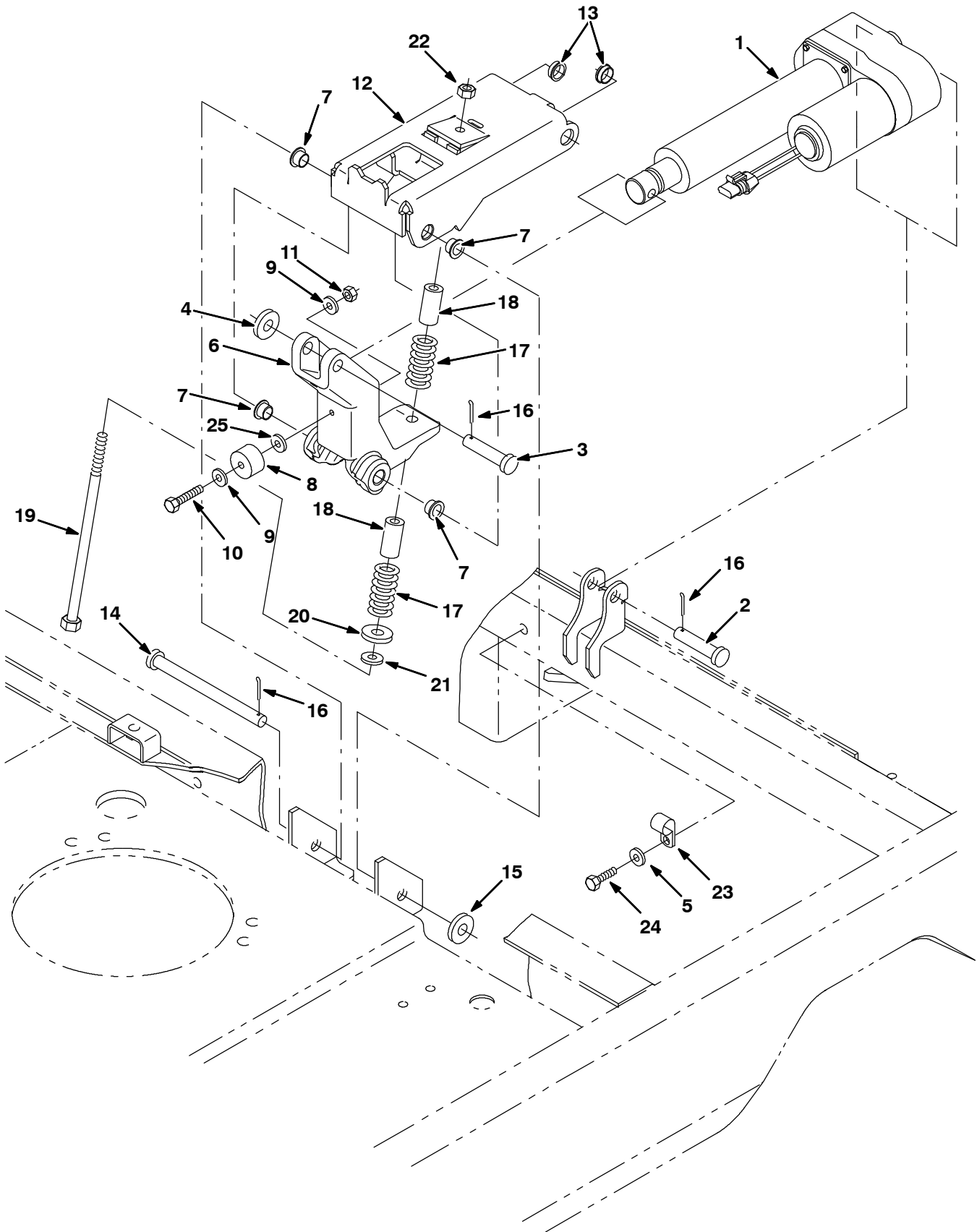


Fig. 23 - Scrub Head Lift Group

Ref.	Tennant Part No.	Machine Serial Number	Description	Qty.
1	386985	(000000-	) Actuator, 36vdc, 7.0stroke, 700lb	1
2	43290	(000000-	) Pin, Clevis, 0.50 D X 1.75l	1
3	06279	(000000-	) Pin, Clevis, 0.50 D X 2.50l	1
4	32493	(000000-	) Washer, Flt, .50 Std	1
5	01684	(000000-	) Washer, Flt, .25 Ss	1
6	1056919	(000000-	) Bellcrank, Lift, Head, Iron Gray	1
7	15648	(000000-	) Bushing, Flng, 0.50b 0.59d 0.38l	4
8	386988	(000000-	) Bumper, Rbr, 1.19d .72l	1
9	01683	(000000-	) Washer, Flt, #10 Ss	2
10	12316	(000000-	) Screw, Hex, M05 X 0.8 X 25, Ss	1
11	09739	(000000-	) Nut, Hex, Lock, M05 X 0.8, NI, Ss	1
12	1056842	(000000-	) Arm Wldt, Lift, Scb Head, Gray [7300]	1
13	04843	(000000-	) Bushing, Flng, 0.63b 0.72d 0.25l	2
14	51225	(000000-	) Pin, Clevis, 0.50 D X 5.50l	1
15	41619	(000000-	) Washer, Flt, .50 Ss	1
16	08182	(000000-	) Pin, Cotter, .125 X 1.00	3
17	386049	(000000-	) Spring, Cmpr, 1.5 Od .75id X 2.5l	2
18	386961	(000000-	) Sleeve, .38b X .75d X 1.5l, Bronze	2
19	14455	(000000-	) Screw, Hex, M08 X 1.25 X 160, 8.8	1
20	41619	(000000-	) Washer, Flt, .50 Ss	1
21	01685	(000000-	) Washer, Flt, .31 Ss	1
22	08713	(000000-	) Nut, Hex, Lock, M08 X 1.25,NI, Ss	1
23	26395-1	(000000-	) Clamp, Cable, Stl, 0.56d X 0.38w, 1h	1
24	12459	(000000-	) Screw, Hex, M06 X 1.0 X 20, Fmg	1
25	13248	(000000-	) Washer, Flat, 0.40b 1.12d .12, Stl, PI	1



Fig. 24 - Max Pro 1000 (Disc-Brush) Scrub Head Frame Group

Ref.	Tennant Part No.	Machine Serial Number	Description	Qty.
1	1056862	(000000-	) Frame Wldt, Scb Head, 2 Brush, Ele, Gray	1
2	386687	(000000-	) Motor, Ele, 36vdc 1.00hp 0300rpm, Gear (Standard) (See Breakdown)	2
2	386679	(000000-003244	) Motor, Gear, Ele, 1.5hp, 36vdc, 300rpm (Heavy Duty) (See Breakdown) (Replaced by 387585AM)	2
2	387585	(003245-	) Motor, Ele, 36vdc 1.50hp 0300rpm, Gear (Heavy Duty) (See Breakdown)	2
3	34195	(000000-	) Screw, Hex, .38-16 X 1.00, NI	8
4	01686	(000000-	) Washer, Flt, .38 Ss	11
5	49263	(000000-	) Tie, Cable, Nyl, 11.4l .19w 3.0 Max D	2
6	377364	(000000-	) Hub, Drive, Brush, Disk, 0.75B 6T	2
7	41186	(000000-	) Washer, Belleville, .31	2
8	01685	(000000-	) Washer, Flt, .31 Ss	3
9	32124	(000000-	) Screw, Hex, .31-18 X 1.00, Ss, NI	2
10	387976	(000000-	) Bracket, Stop, Frame	1
11	09028	(000000-	) Screw, Hex, M10 X 1.5 X 25, Ss	3
12	08714	(000000-	) Nut, Hex, Lock, M10 X 1.5, NI, Ss	3
13	15023	(000000-	) Bumper, Pye	1
14	09010	(000000-	) Screw, Hex, M08 X 1.25 X 25, Ss	1
15	08713	(000000-	) Nut, Hex, Lock, M08 X 1.25,NI, Ss	1
16	386387	(000000-	) Skirt, Front, Scrub Head, 2-Brush, Ele	1
17	386388	(000000-	) Skirt, Rear, Scrub Head, 2-Brush, Ele	1
18	72968	(000000-	) Rivet, Plstc, .250 X 0.898	24
19	365156	(000000-	) Label Set, Info/Hzrd, [Maxpro]	1
20	387294	(000000-	) Skirt, Side, Scrub Head, 2-Brush, Ele	2

**Fig. 25 - Max Pro 1000 (Disc-Brush) Scrub Head Linkage Group**

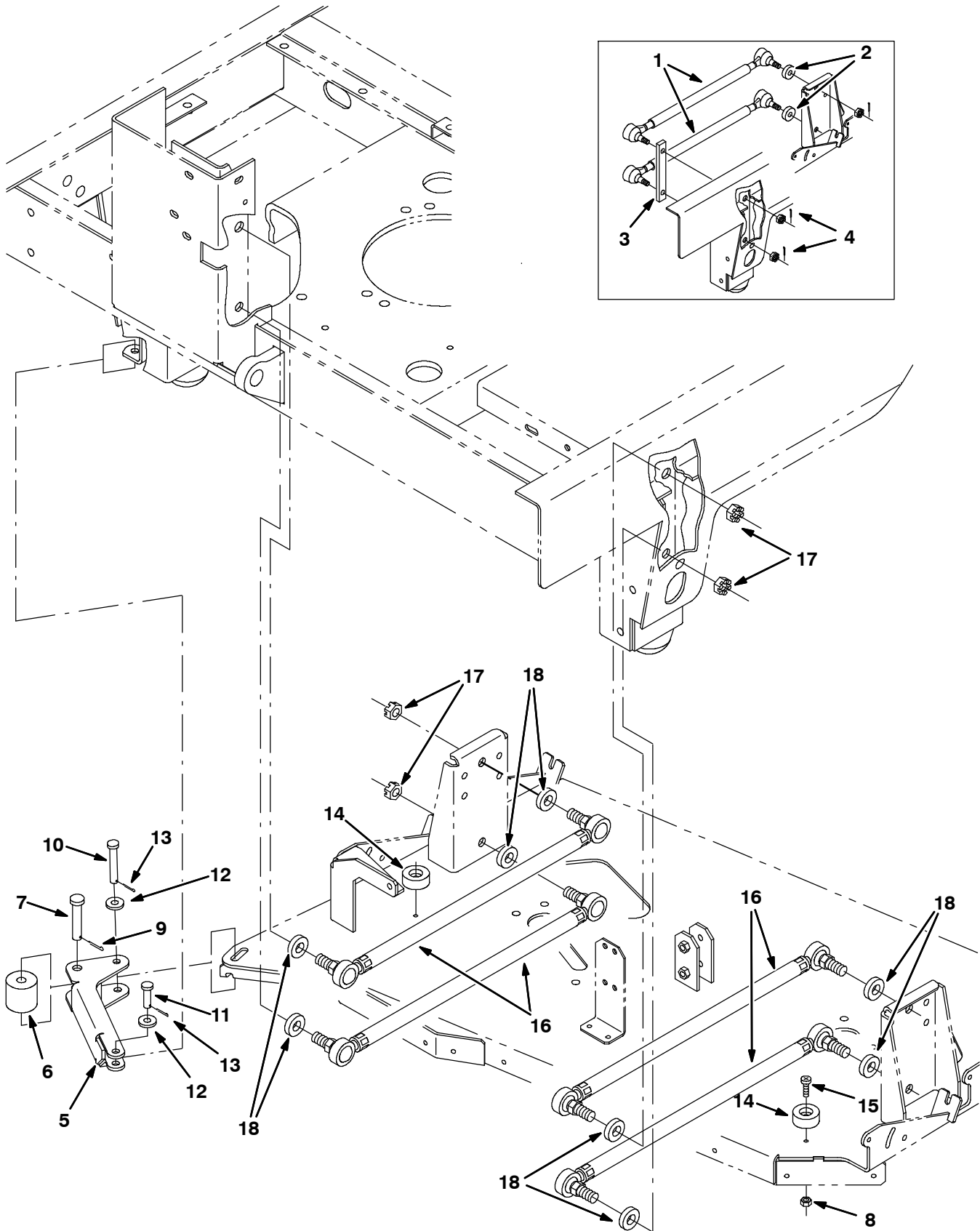




Fig. 25 - Max Pro 1000 (Disc-Brush) Scrub Head Linkage Group

Ref.	Tennant Part No.	Machine Serial Number	Description	Qty.
1	14523	(000000-003695 )	Link, Lift, Squeegee (Replaced by 9005752)	4
2	14524	(000000-003695 )	Spacer, Washer	4
3	24254	(000000-003695 )	Link, .38 1.0w 07.5l 2/1.5h	2
4	08346	(000000-003695 )	Pin, Cotter, .125 X 0.75	8
5	1001099	(000000-004999 )	Guard, Kick In, Scb Head	1
5	1056390	(005000-	Guard, Kick In, Scb Head, Iron Gray	1
6	72946	(000000-	Roller	1
7	06279	(000000-	Pin, Clevis, 0.50 D X 2.50l	1
8	08712	(000000-	Nut, Hex, Lock, M06 X 1.0, NI, Ss	2
9	08182	(000000-	Pin, Cotter, .125 X 1.00	1
10	365180	(000000-	Pin, Clevis, 0.38 D X 2.50l	1
11	29557	(000000-	Pin, Clevis, 0.37 D X 1.31l	1
12	01686	(000000-	Washer, Flt, .38 Ss	2
13	39005	(000000-	Pin, Cotter, .094 X 0.75	2
14	364614	(000000-	Bumper, Neo, 1.5d .63t .31h	2
15	08716	(000000-	Screw, Hex, M06 X 1.0 X 20, Ss	2
16	1050195	(003696-	Link Assy, Rod-End, .63-18	4
17	40814	(003696-	Nut, Hex, Lock, .62-18, NI, Thin	8
18	1057066	(003696-	Tube, 0.69ld 1.25Od 00.4L, Rod-End, Gray	8



Fig. 26 - Max Pro 1000 (Disc-Brush) Solution Valve Group

Ref.	Tennant Part No.	Machine Serial Number	Description	Qty.
1	84028	(000000-	) Valve, Water	1
2	15678	(000000-	) Screw, Hex, M06 X 1.0 X 16, Ss	2
3	32490	(000000-	) Washer, Flt, .25 Std	4
4	08712	(000000-	) Nut, Hex, Lock, M06 X 1.0, NI, Ss	2
5	16356	(000000-001986	) Fitting, Plstc, Tee, Bm10/Bm10/Bm10	1
6	223699	(000000-001986	) Hose, Pvc, Brd, 0.62id 0.91od 10.30l	1
7	16914	(000000-	) Hose, Pvc, Brd, 0.75id 1.03od 02.00l	1
8	63810	(000000-	) Clamp, Hose, Wormdrive, 0.56-1.06d, .56w	6
9	365164	(000000-	) Fitting, Plstc, Str, Bm10/Bm10	2
10	44961	(000000-	) Tie, Cable, Nyl, 14.5l .30w 4.0 Max D	2
11	73474	(000000-	) Hose, Pvc, Brd, 0.75id 1.03od 44.50l	1
12	40678-1	(000000-	) Clamp, Cable, Stl, 0.88d X 0.62w, 1h	2
13	12273	(000000-	) Screw, Hex, M08 X 1.25 X 20, Ss, NI	2
14	01685	(000000-	) Washer, Flt, .31 Ss	2
15	49266	(000000-	) Tie, Cable, Nyl, 07.3l .19w 1.8 Max D	2
16	11399	(000000-	) Clamp, Hose, Wormdrive, 0.81-1.50d	2
17	1012528	(001987-	) Manifold, Soltn, Cntrl	1
18	40566	(001987-	) Fitting, Plstc, E90, Bm12/Bm12	1
19	54333	(001987-	) Clamp, Hose, Wormdrive, 0.31-0.88d, .31w	4
20	79273-4	(001987-	) Fitting, Plstc, Str, Bm08/Pm08	2
21	1015558	(001987-	) Fitting, Plstc, Cap, Pf08	2
22	63987-1	(001987-	) Fitting, Plstc, E90, Bm08/Bm08	1
23	364631	(001987-	) Fitting, Plstc, Str, Bm08/Bm08	1
24	1011521	(001987-	) Hose, Afmkt, Pvc, Brd 0.50id 2ft	1



Fig. 27 - Max Pro 1000 (Disc-Brush) Solution Valve Group (FaST/ec-H2O)

Ref.	Tennant Part No.	Machine Serial Number	Description	Qty.
1	84028	(000000-	) Valve, Water	1
2	15678	(000000-	) Screw, Hex, M06 X 1.0 X 16, Ss	2
3	32490	(000000-	) Washer, Flt, .25 Std	4
4	08712	(000000-	) Nut, Hex, Lock, M06 X 1.0, NI, Ss	2
5	1012528	(000000-	) Manifold, Soltn, Cntrl	1
6	16914	(000000-	) Hose, Pvc, Brd, 0.75id 1.03od 02.00l	1
7	1015045	(000000-	) Hose, Afmkt, Pvc, Brd, 0.75id 8 Ft	1
8	63810	(000000-	) Clamp, Hose, Wormdrive, 0.56-1.06d, .56w	10
9	365164	(000000-	) Fitting, Plstc, Str, Bm10/Bm10	2
10	44961	(000000-	) Tie, Cable, Nyl, 14.5l .30w 4.0 Max D	2
11	73474	(000000-	) Hose, Pvc, Brd, 0.75id 1.03od 44.50l	2
12	40678-1	(000000-	) Clamp, Cable, Stl, 0.88d X 0.62w, 1h	2
13	12273	(000000-	) Screw, Hex, M08 X 1.25 X 20, Ss, NI	2
14	01685	(000000-	) Washer, Flt, .31 Ss	2
15	49266	(000000-	) Tie, Cable, Nyl, 07.3l .19w 1.8 Max D	2
16	54333	(000000-	) Clamp, Hose, Wormdrive, 0.31-0.88d	6
17	40566	(000000-	) Fitting, Plstc, E90, Bm12/Bm12	1
18	364631	(000000-	) Fitting, Plstc, Str, Bm08/Bm08	2
19	79273-4	(000000-	) Fitting, Plstc, Str, Bm08/Pm08	1
20	1015558	(000000-	) Fitting, Plstc, Cap, Pf08	1
21	63987-1	(000000-	) Fitting, Plstc, E90, Bm08/Bm08	1
22	1011403	(000000-	) Hose, Afmkt, Pvc, Brd 0.50id 1ft	1
23	48610	(003747-	) Fitting, Plstc, Str, Bm08/Pm04 (FaST)	1
24	1017413	(000000-	) Housing, Cplg, Qf / Pm08 (ec-H2O)	1

# STANDARD PARTS

Fig. 28 - Max Pro 1000 (Disc-Brush) Edge Scrub Group

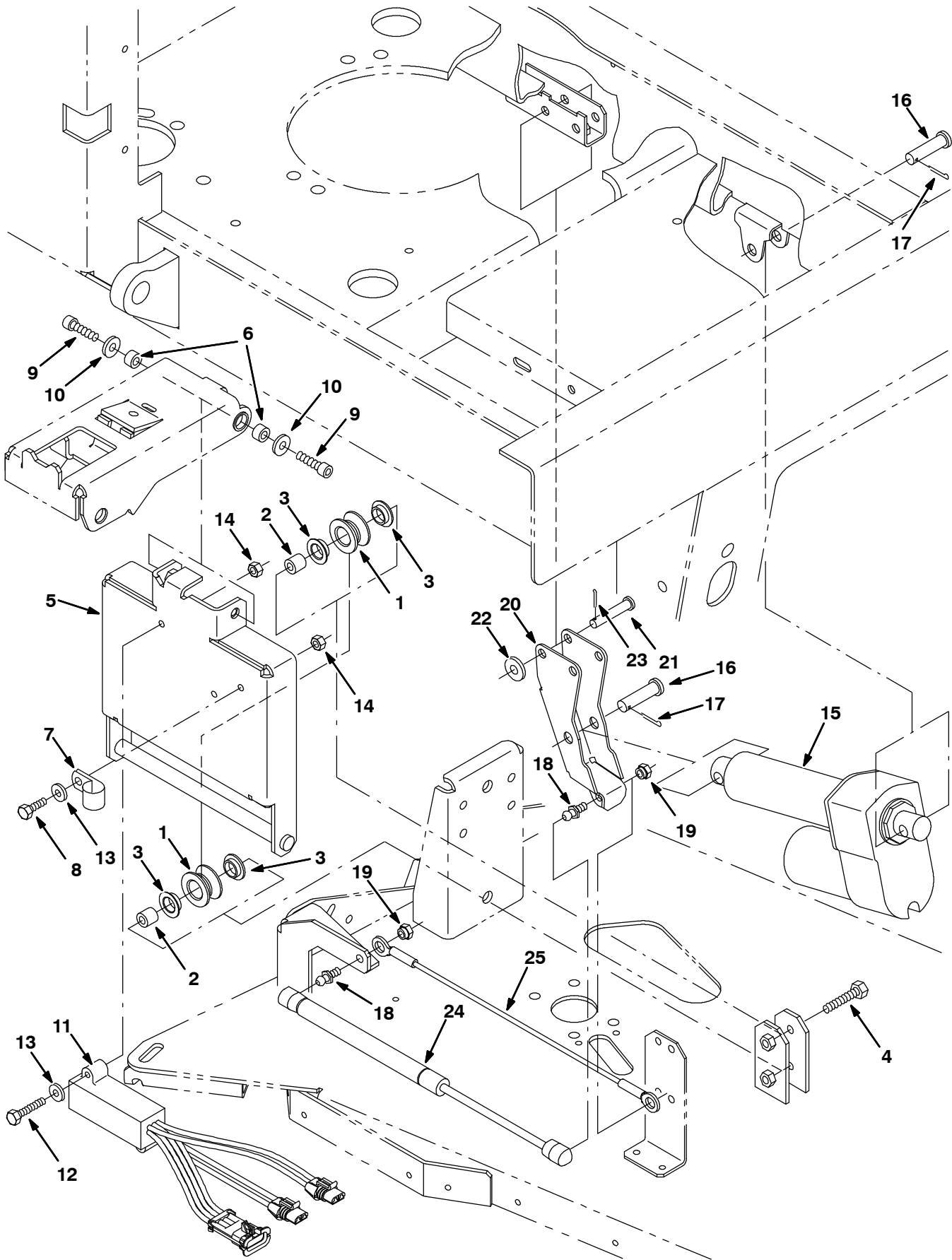


Fig. 28 - Max Pro 1000 (Disc-Brush) Edge Scrub Group

Ref.	Tennant Part No.	Machine Serial Number	Description	Qty.
1	363120	(000000-	) Roller	2
2	222277	(000000-	) Sleeve	2
3	04843	(000000-	) Bushing, Flng, 0.63b 0.72d 0.25l	4
4	222505	(000000-	) Screw, Hex, M08 X 1.25 X 45, Ss	2
5	1056844	(000000-	) Rail Wldt, Lift, Disk Head, Iron Gray	1
6	222556	(000000-	) Sleeve	2
7	67767	(000000-	) Clamp, Cable, Stl, 0.69d X 0.62w, 1h	1
8	08716	(000000-	) Screw, Hex, M06 X 1.25 X 25, Ss, NI	1
9	39308	(000000-	) Screw, Soc, M08 X 1.25 X 25, 12.9	2
10	01685	(000000-	) Washer, Flt, .31 Ss	2
11	363236	(000000-	) Shunt, 2 Std Motor, Blk [SCB 515] (For Standard Motor)	1
11	363237	(000000-	) Shunt, 2 Hd Motor, Red [SCB 515] (For Heavy Duty Motor)	1
12	33930	(000000-	) Screw, Hex, M06 X 1.0 X 40, Ss	2
13	01684	(000000-	) Washer, Flt, .25 Ss	3
14	08712	(000000-	) Nut, Hex, Lock, M06 X 1.0, NI, Ss	3
15	363152	(000000-	) Actuator, 36vdc, 02.7stroke 500lb	1
16	51534	(000000-	) Pin, Clevis, 0.50D X 2.00L	2
17	08182	(000000-	) Pin, Cotter, .125 X 1.00	2
18	58494	(000000-	) Stud, Ball, .39d .31-16, Gasspring	2
19	14725	(000000-	) Nut, Retainer, .31-18	2
20	1056845	(000000-	) Arm Wldt, Pivot, Side, Gray [7300/8300]	1
21	29584	(000000-	) Pin, Clevis, 0.37 D X 2.00l	1
22	01686	(000000-	) Washer, Flt, .38 Ss	1
23	39005	(000000-	) Pin, Cotter, .094 X 0.75	1
24	364858	(000000-	) Gasspring, 56lb, 6.3strk	1
25	364404	(000000-	) Cable, .13d, 15.5l, .50eye /.50eye	1

Fig. 29 - Max Pro 1000 (Disc-Brush) Right Side Squeegee Group

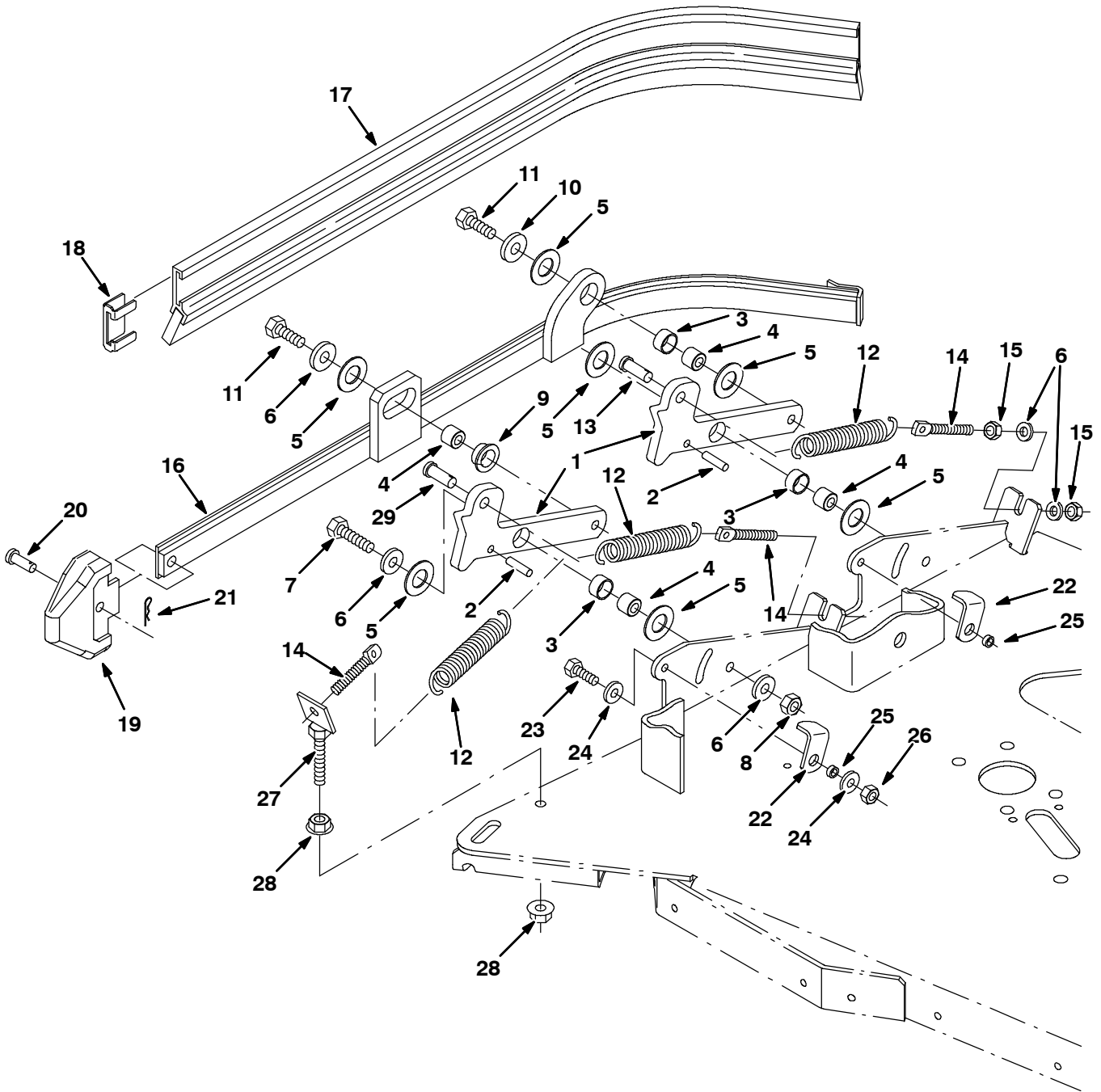




Fig. 29 - Max Pro 1000 (Disc-Brush) Right Side Squeegee Group

Ref.	Tennant Part No.	Machine Serial Number	Description	Qty.
1	1056863	(000000-	) Arm, Mtg, Side Sqge Frame, Ele, Gray	2
2	17404	(000000-	) Pin, Roll, .250 D X 0.75l, .250/.256	2
3	71607	(000000-	) Bushing, Sleeve, 0.63b 0.72d 0.38l	3
4	386356	(000000-	) Sleeve, P/M, 0.625d 0.335b 0.52l Ss	4
5	64425	(000000-	) Washer, Thrust, 0.61b 1.25d .06, Fgl	7
6	01685	(000000-	) Washer, Flt, .31 Ss	7
7	09023	(000000-	) Screw, Hex, M08 X 1.25 X 35, Ss	2
8	08713	(000000-	) Nut, Hex, Lock, M08 X 1.25, NI, Ss	2
9	25735	(000000-	) Bushing, Flng, 0.63b 0.75d 0.38l	2
10	01686	(000000-	) Washer, Flt, .38 Ss	1
11	12333	(000000-	) Screw, Hex, M08 X 1.25 X 25, Ss, NI	2
12	87816	(000000-	) Spring, Extn, 0.75od X 0.09wir, 2.5l	3
13	76653	(000000-	) Pin, Clevis, 0.37 D X 1.00l	1
14	386088	(000000-	) Bolt, Eye, M8 X 1.25, 2.75l	3
15	07786	(000000-	) Nut, Hex, Std, M08 X 1.25, Ss	6
16	386263	(000000-	) Frame Wldt, Sqge, Side, Rh	1
17	386260	(000000-	) Squeegee, Side	1
18	86759	(000000-	) Retainer, Sqge	1
19	386986	(000000-	) Guide, Point, Side Sqge	1
20	386987	(000000-	) Pin, Clevis, 0.31d 0.88l	1
21	86866	(000000-	) Pin, Hair Cotter, 0.38 D .072 Wir	1
22	386391	(000000-	) Latch, Double Scrub, Side Sqge	2
23	08716	(000000-	) Screw, Hex, M06 X 1.0 X 20, Ss	2
24	01684	(000000-	) Washer, Flt, .25 Ss	4
25	80491	(000000-	) Sleeve	2
26	08712	(000000-	) Nut, Hex, Lock, M06 X 1.0, NI, Ss	2
27	1007632	(000000-	) Bracket Wldt, Mtg, Spring	1
28	27980	(000000-	) Nut, Hex, Flng, .38-16	2
29	29558	(000000-	) Pin, Clevis, 0.37 D X 1.50l	1

**Fig. 30 - Max Pro 1000 (Disc-Brush) Left Side Squeegee Group**

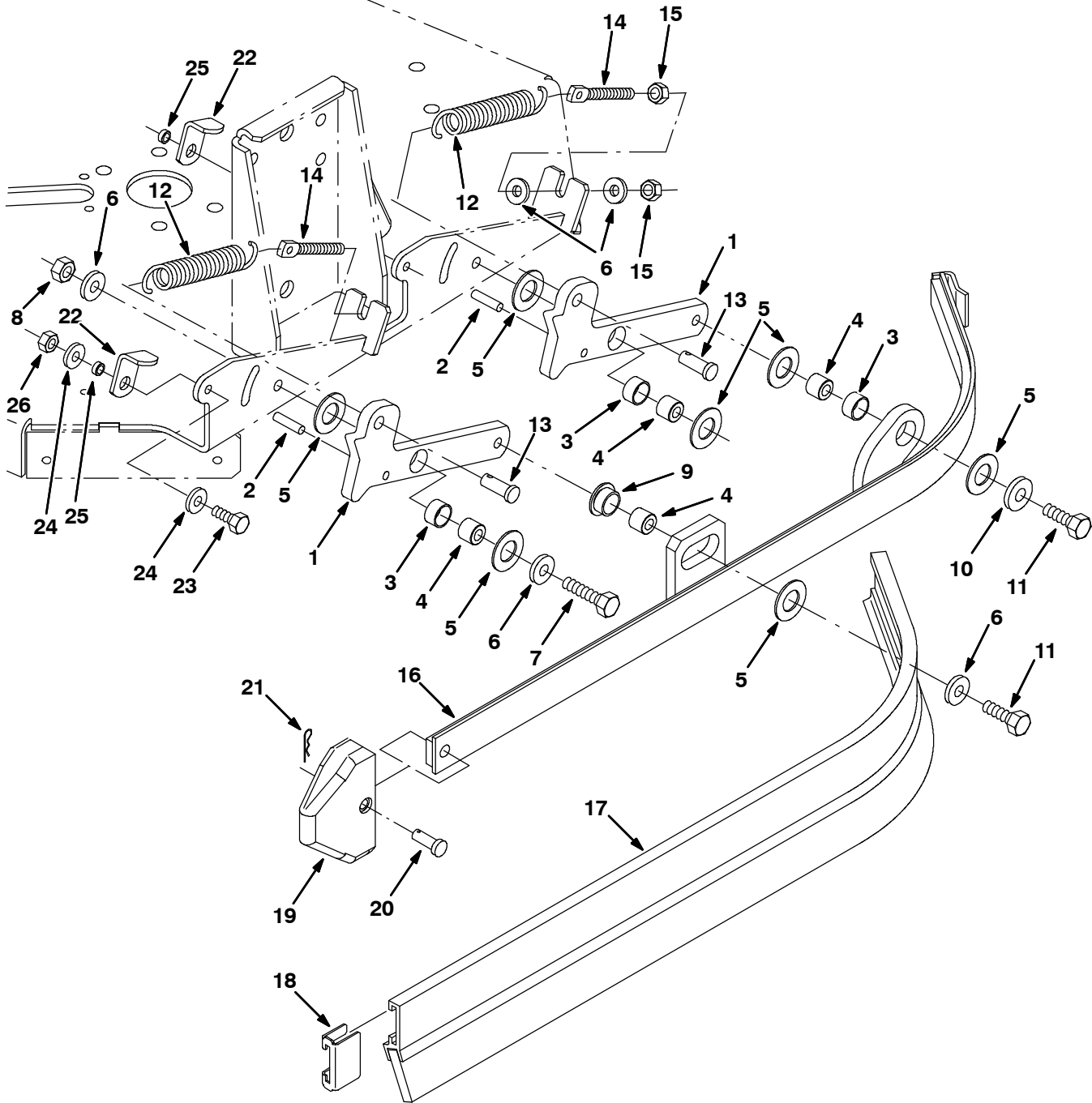


Fig. 30 - Max Pro 1000 (Disc-Brush) Left Side Squeegee Group

Ref.	Tennant Part No.	Machine Serial Number	Description	Qty.
1	1056863	(000000-	) Arm, Mtg, Side Sqge Frame, Ele, Gray	2
2	17404	(000000-	) Pin, Roll, .250 D X 0.75l, .250/.256	2
3	71607	(000000-	) Bushing, Sleeve, 0.63b 0.72d 0.38l	3
4	386356	(000000-	) Sleeve, P/M, 0.625d 0.335b 0.52l Ss	4
5	64425	(000000-	) Washer, Thrust, 0.61b 1.25d .06, Fgl	7
6	01685	(000000-	) Washer, Flt, .31 Ss	7
7	09023	(000000-	) Screw, Hex, M08 X 1.25 X 35, Ss	2
8	08713	(000000-	) Nut, Hex, Lock, M08 X 1.25, NI, Ss	2
9	25735	(000000-	) Bushing, Flng, 0.63b 0.75d 0.38l	1
10	01686	(000000-	) Washer, Flt, .38 Ss	2
11	12333	(000000-	) Screw, Hex, M08 X 1.25 X 25, Ss, NI	2
12	87816	(000000-	) Spring, Extn, 0.75od X 0.09wir, 2.5l	2
13	76653	(000000-	) Pin, Clevis, 0.37 D X 1.00l	2
14	386088	(000000-	) Bolt, Eye, M8 X 1.25, 2.75l	2
15	07786	(000000-	) Nut, Hex, Std, M08 X 1.25, Ss	4
16	386262	(000000-	) Frame Wldt, Sqge, Side, Lh	1
17	386260	(000000-	) Squeegee, Side	1
18	86759	(000000-	) Retainer, Sqge	1
19	386986	(000000-	) Guide, Point, Side Sqge	1
20	386987	(000000-	) Pin, Clevis, 0.31d 0.88l	1
21	86866	(000000-	) Pin, Hair Cotter, 0.38 D .072 Wir	1
22	386391	(000000-	) Latch, Double Scrub, Side Sqge	2
23	08716	(000000-	) Screw, Hex, M06 X 1.0 X 20, Ss	2
24	01684	(000000-	) Washer, Flt, .25 Ss	4
25	80491	(000000-	) Sleeve	2
26	08712	(000000-	) Nut, Hex, Lock, M06 X 1.0, NI, Ss	2

**Fig. 31 - Squegee Linkage Group, Rear**

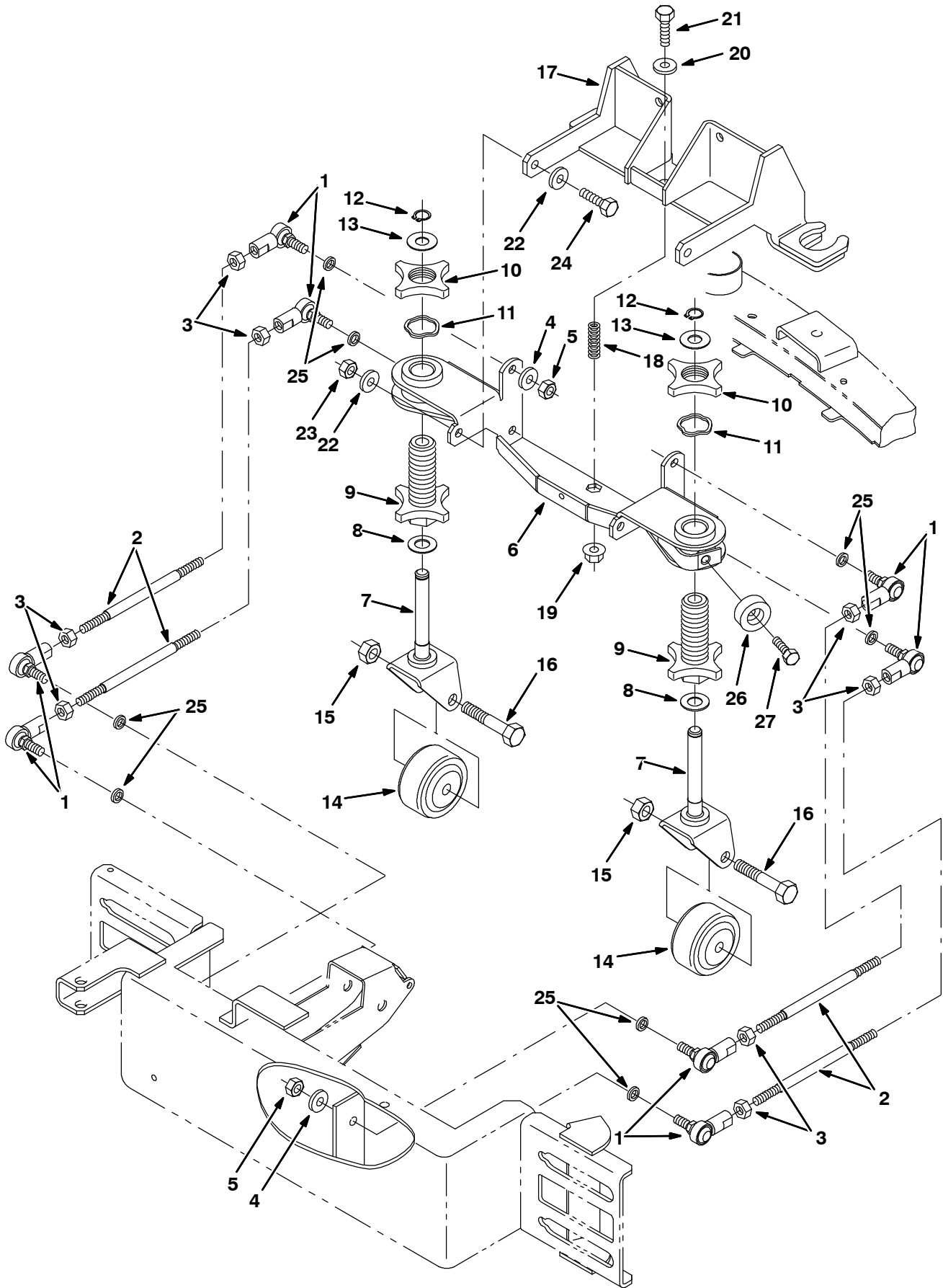


Fig. 31 - Squeegee Linkage Group, Rear

Ref.	Tennant Part No.	Machine Serial Number	Description	Qty.	
1	05686	(000000-	) Rod-End, M10 X 1.5rh Fem M10 X 1.5stud	8	
2	14555	(000000-	) Rod, Thrd, 2 End M10x1.5 07.4	4	
3	32716	(000000-	) Nut, Hex, Jam, M10 X 1.5, Ss	8	
4	01686	(000000-	) Washer, Flt, .38 Ss	8	
5	08714	(000000-	) Nut, Hex, Lock, M10 X 1.5, NI, Ss	8	
6	386256	(000000-004999	) Channel Wldt	1	
6	1056468	(005000-	) Channel Wldt, Iron Gray	1	
▽	78979	(000000-	) Caster Kit, Sqge, Replmt	2	
▲	7	84593	(000000-	) Pivot Wldt, Sqge Caster	1
▲	8	07450	(000000-	) Bearing, Thrust, 0.66b 1.25d 0.06w	1
▲	9	77228	(000000-	) Knob, Adj	1
▲	10	77227	(000000-	) Knob	1
▲	11	79217	(000000-	) Washer	1
▲	12	01516	(000000-	) Ring, Retaining, Ext, 0.59d, Basic	1
▲	13	77272	(000000-	) Washer, 0.60b 1.31d .10, Ss	1
▲	14	20833	(000000-	) Wheel, 3.0d 1.38w 0.50b	1
▲	15	02931	(000000-	) Nut, Hex, Lock, .50-13, NI, Ss	1
▲	16	81952	(000000-	) Screw, Hex, .50-13 X 3.00, Ss	1
17	386252	(000000-004999	) Bracket Wldt, Pivot	1	
17	1056467	(005000-	) Channel Wldt, Iron Gray	1	
18	16816	(000000-	) Spring, Die, 1.00od 0.50id 2.00l	1	
19	07792	(000000-	) Nut, Hex, Flng, M10 X 1.5	1	
20	01686	(000000-	) Washer, Flt, .38 Ss	1	
21	04417	(000000-	) Screw, Hex, M10 X 1.5 X 60, Ss	1	
22	01686	(000000-	) Washer, Flt, .38 Ss	4	
23	08714	(000000-	) Nut, Hex, Lock, M10 X 1.5, NI, Ss	2	
24	12317	(000000-	) Screw, Hex, M10 X 1.5 X 30, Ss	2	
25	390880	(000000-	) Spacer, .41b .63d .13l, Ss 430pm	8	
26	364614	(000000-	) Bumper, Neo, 1.5d .63t .31h	1	
27	09010	(000000-	) Screw, Hex, M08 X 1.25 X 25, Ss	1	

Fig. 32 - Squeegee Lift Group, Rear

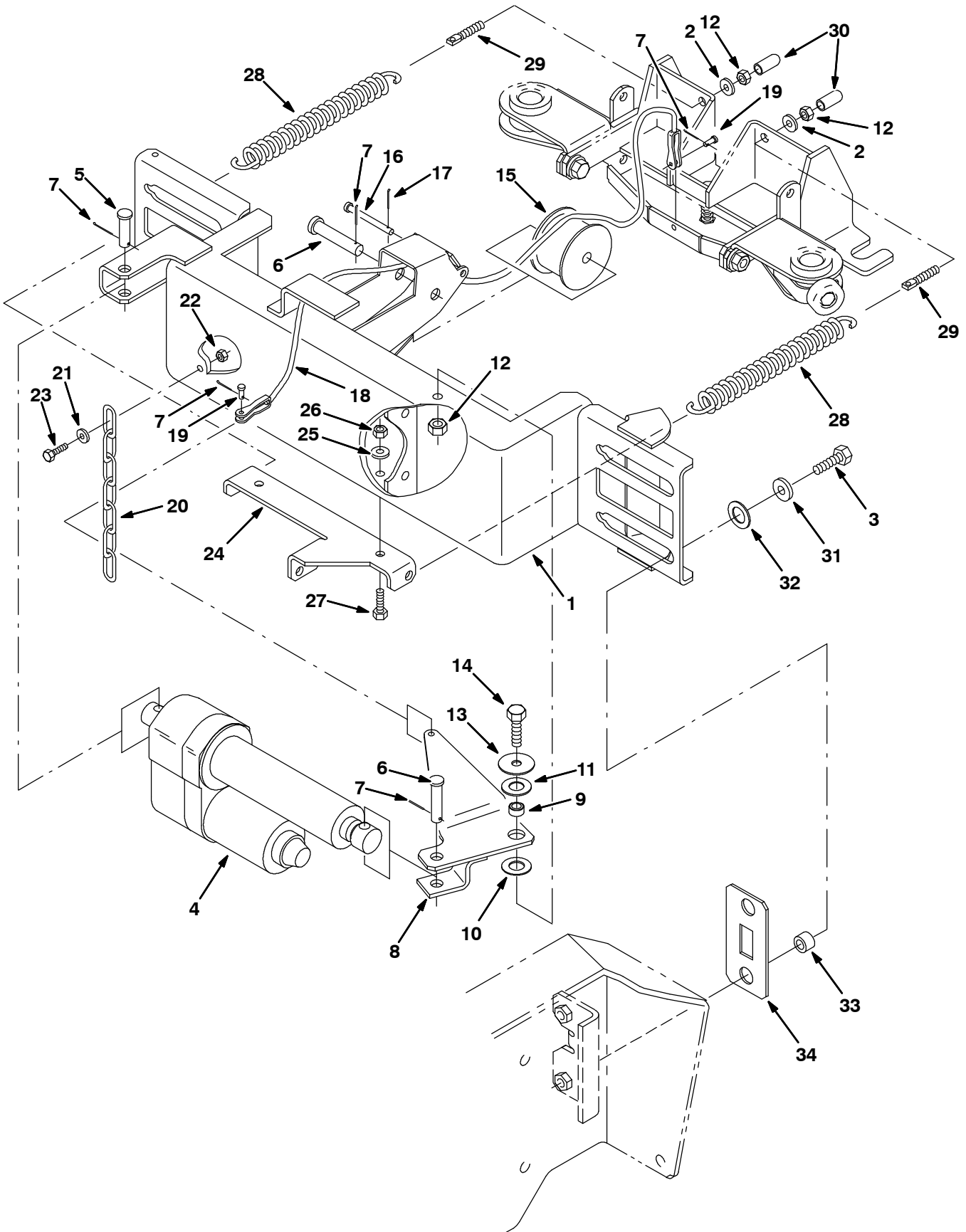


Fig. 32 - Squeegee Lift Group, Rear

Ref.	Tennant Part No.	Machine Serial Number	Description	Qty.
1	387426	(000000-004999 )	Support Wldt	1
1	1056389	(005000-	Support Wldt, Iron Gray	1
2	01686	(000000-	Washer, Flt, .38 Ss	2
3	12317	(000000-	Screw, Hex, M10 X 1.5 X 30, Ss	4
4	363151	(000000-	Actuator, 36vdc, 02.1stroke 500lb	1
5	51534	(000000-	Pin, Clevis, 0.50 D X 2.00l	1
6	06279	(000000-	Pin, Clevis, 0.50 D X 2.50l	2
7	39005	(000000-	Pin, Cotter, .094 X 0.75	5
8	386279	(000000-	Arm Wldt	1
9	71658	(000000-	Sleeve	1
10	64425	(000000-	Washer, Thrust, 0.61b 1.25d .06, Fgl	1
11	07450	(000000-	Bearing, Thrust, 0.66b 1.25d 0.06w	1
12	08714	(000000-	Nut, Hex, Lock, M10 X 1.5, NI, Ss	3
13	33948	(000000-	Washer, Flat	1
14	04417	(000000-	Screw, Hex, M10 X 1.5 X 60, Ss	1
15	223054	(000000-	Drum, Cable, Lift	1
16	04733-10	(000000-	Pin, Clevis, 0.25 D X 2.44l	1
17	08178	(000000-	Pin, Cotter, .062 X 0.75	1
18	71101	(000000-	Cable, .12d, 13.3l, .2clevis/.2clevis	1
19	77488	(000000-	Pin, Clevis, 0.19 D X 0.63l	2
20	43500	(000000-	Chain, Coil, Str, #210, 09.0l 07 Link	1
21	01684	(000000-	Washer, Flt, .25 Ss	1
22	08712	(000000-	Nut, Hex, Lock, M06 X 1.0, NI, Ss	1
23	08716	(000000-	Screw, Hex, M06 X 1.0 X 20, Ss	1
24	387432	(000000-004999 )	Channel, Spring	1
24	1056482	(005000-	Bracket, Spring, Iron Gray	1
25	01685	(000000-	Washer, Flt, .31 Ss	2
26	08713	(000000-	Nut, Hex, Lock, M08 X 1.25,NI, Ss	2
27	09010	(000000-	Screw, Hex, M08 X 1.25 X 25, Ss	2
28	71100	(000000-	Spring, Extn, 1.69od X 0.20wir, 9.5l	2
29	386847	(000000-	Bolt, Eye, M10x1.5 X 2.0 X .28 Eye	2
30	20806	(000000-	Cap, Neoprene Black	2
31	32492	(000000-	Washer, Flat, .38 Std	4
32	53782	(000000-	Bearing, Thrust, 0.75b 1.25d 0.06w	4
33	387429	(000000-	Sleeve, P/M, 0.745d 0.438b 0.50l 430ss	4
34	387430	(000000-	Plate, Slide	2

# STANDARD PARTS

Fig. 33 - Max Pro 1000 Rear Squeegee Group (000000-004999)

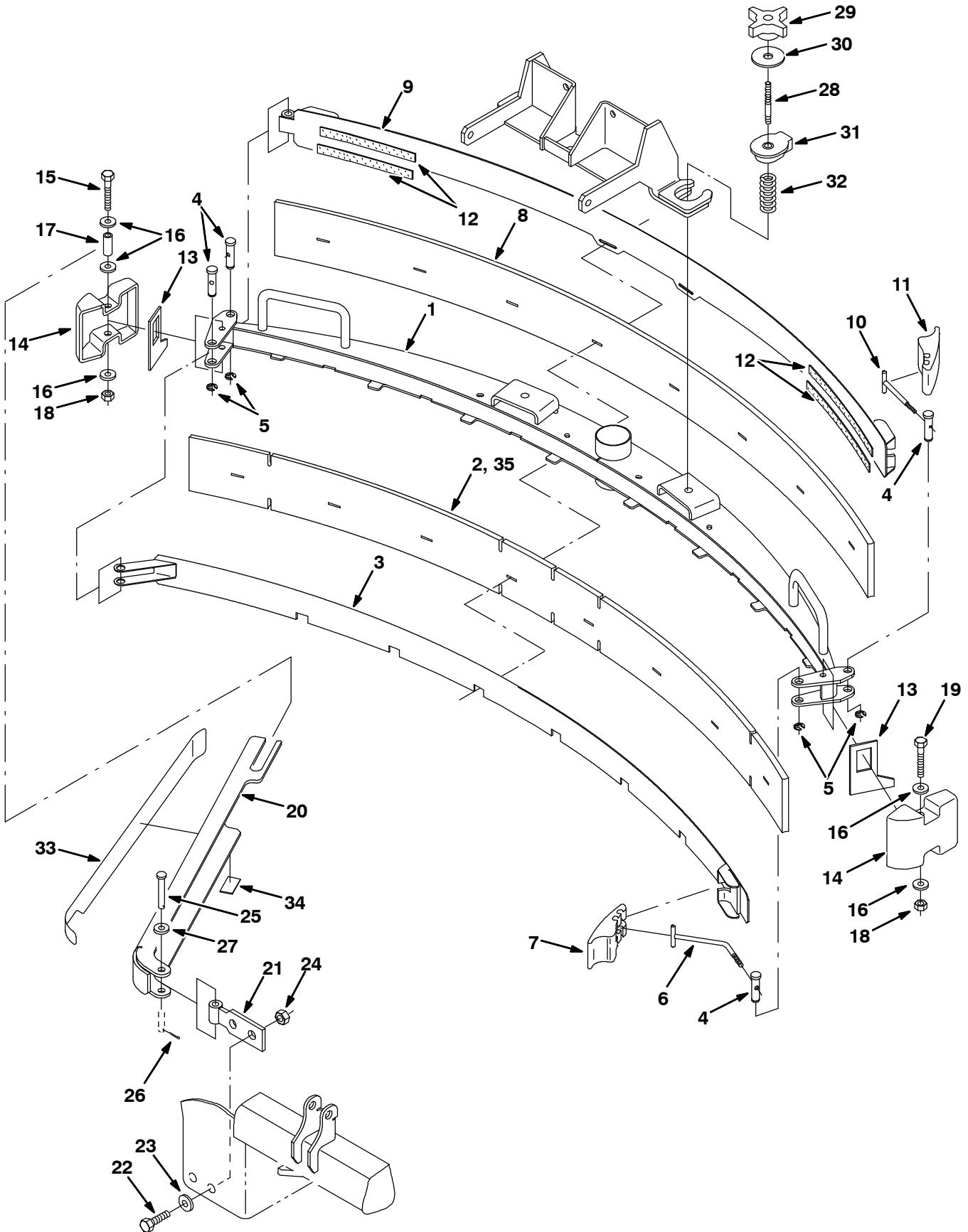




Fig. 33 - Max Pro 1000 Rear Squeegee Group (000000-004999)

Ref.	Tennant Part No.	Machine Serial Number	Description	Qty.
▽	386860	(000000-004999 )	Kit, Cl, Squeegee, Rear (Max Pro 1000)	1
▲	1 1056856	(000000-004999 )	Frame Wldt, Sqge, Iron Gray	1
▲	2 386283	(000000-004999 )	Blade, Sqge, Front	1
▲	3 386285	(000000-004999 )	Clamp Wldt, Front	1
▲	4 21603	(000000-004999 )	Pin	4
▲	5 24555	(000000-004999 )	Ring, Retaining, Ext	4
▲	6 386298	(000000-004999 )	Pin Wldt, Front	1
▲	7 21601	(000000-004999 )	Cam	1
▲	8 386284	(000000-004999 )	Blade, Sqge, Rear	1
▲	9 386286	(000000-004999 )	Clamp Wldt, Rear	1
▲	10 21606	(000000-004999 )	Bar Wldt, Retainer, Sqge, Rear	1
▲	11 21602	(000000-004999 )	Cam, Rear	1
▲	12 03495	(000000-004999 )	Strip, Nonslip	4
▲	13 83874	(000000-004999 )	Gasket, Sqge	2
▲	14 386264	(000000-004999 )	Bumper, Sqge	2
▲	15 386299	(000000-004999 )	Screw, Hex, M08 X 1.25 X 100, Ss	1
▲	16 01685	(000000-004999 )	Washer, Flt, .31 Ss	5
▲	17 222497	(000000-004999 )	Sleeve	1
▲	18 08713	(000000-004999 )	Nut, Hex, Lock, M08 X 1.25,NI, Ss	2
▲	19 09767	(000000-004999 )	Screw, Hex, M08 X 1.25 X 70, Ss	1
▲	20 386266	(000000-004999 )	Channel Wldt	1
▲	21 386234	(000000-004999 )	Pivot Wldt, Guard	1
▲	22 12309	(000000-004999 )	Screw, Hex, M12 X 1.75 X 30, Ss	2
▲	23 41619	(000000-004999 )	Washer, Flt, .50 Ss	2
▲	24 09741	(000000-004999 )	Nut, Hex, Lock, M12 X 1.75,NI, Ss	2
▲	25 1039190	(000000-004999 )	Pin, Clevis, 0.25d X 2.00l	1
▲	26 08178	(000000-004999 )	Pin, Cotter, .062 X 0.75	1
▲	27 01684	(000000-004999 )	Washer, Flt, .25 Ss	2
▲	28 387237	(000000-004999 )	Stud, .31-18 2.75l M8 X 1.25, Ss	2
▲	29 370100	(000000-004999 )	Knob, 4-Prong W/.31-18, Insert	2
▲	30 04414	(000000-004999 )	Washer, 0.53b 1.88d .12, Stl, Pl	2
▲	31 387433	(000000-004999 )	Ring, Mtg, Sqge, .50l	2
▲	32 387500	(000000-004999 )	Spring, Cmpr, .87od .042wir 2.0l	2
▲	33 387448	(000000-004999 )	Bumper, Poly-E	1
▲	34 387438	(000000-004999 )	Bumper, Poly-E	1
▲	35 387257	(000000-	Blade, Sqge, Front, Mp1000, Tile	1

# STANDARD PARTS

Fig. 34 - Max Pro 1000 Rear Squeegee Group (005000- )

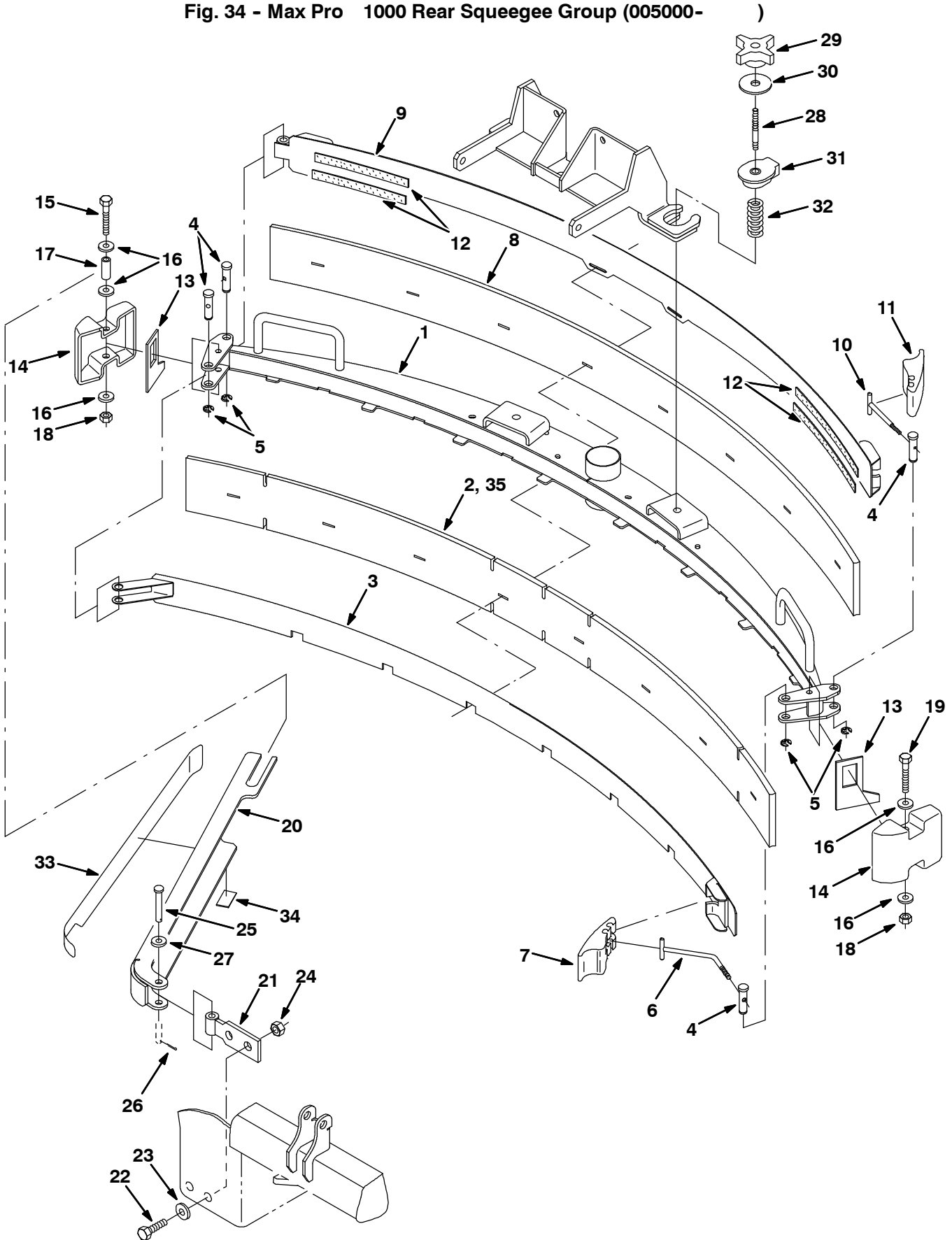


Fig. 34 - Max Pro 1000 Rear Squeegee Group (005000- )

Ref.	Tennant Part No.	Machine Serial Number	Description	Qty.
▽	9006930	(005000-	) Squeegee Assy Kit, Rear, Ci [Mp1000]	1
▲	1 1056856	(005000-	) Frame Wldt, Sqge, Iron Gray	1
▲	2 386283	(005000-	) Blade, Sqge, Front	1
▲	3 386285	(005000-	) Clamp Wldt, Front	1
▲	4 21603	(005000-	) Pin	4
▲	5 24555	(005000-	) Ring, Retaining, Ext	4
▲	6 386298	(005000-	) Pin Wldt, Front	1
▲	7 21601	(005000-	) Cam	1
▲	8 386284	(005000-	) Blade, Sqge, Rear	1
▲	9 386286	(005000-	) Clamp Wldt, Rear	1
▲	10 21606	(005000-	) Bar Wldt, Retainer, Sqge, Rear	1
▲	11 21602	(005000-	) Cam, Rear	1
▲	12 03495	(005000-	) Strip, Nonslip	4
▲	13 83874	(005000-	) Gasket, Sqge	2
▲	14 386264	(005000-	) Bumper, Sqge	2
▲	15 386299	(005000-	) Screw, Hex, M08 X 1.25 X 100, Ss	1
▲	16 01685	(005000-	) Washer, Flt, .31 Ss	5
▲	17 222497	(005000-	) Sleeve	1
▲	18 08713	(005000-	) Nut, Hex, Lock, M08 X 1.25,NI, Ss	2
▲	19 09767	(005000-	) Screw, Hex, M08 X 1.25 X 70, Ss	1
▲	20 1056471	(005000-	) Channel Wldt, Guard, Rh, Iron Gray	1
▲	21 1056466	(005000-	) Plate Wldt, Pivot, Guard, Iron Gray	1
▲	22 12309	(005000-	) Screw, Hex, M12 X 1.75 X 30, Ss	2
▲	23 41619	(005000-	) Washer, Flt, .50 Ss	2
▲	24 09741	(005000-	) Nut, Hex, Lock, M12 X 1.75,NI, Ss	2
▲	25 1039190	(005000-	) Pin, Clevis, 0.25d X 2.00l	1
▲	26 08178	(005000-	) Pin, Cotter, .062 X 0.75	1
▲	27 01684	(005000-	) Washer, Flt, .25 Ss	2
▲	28 387237	(005000-	) Stud, .31-18 2.75l M8 X 1.25, Ss	2
▲	29 370100	(005000-	) Knob, 4-Prong W/.31-18, Insert	2
▲	30 04414	(005000-	) Washer, 0.53b 1.88d .12, Stl, Pl	2
▲	31 387433	(005000-	) Ring, Mtg, Sqge, .50l	2
▲	32 387500	(005000-	) Spring, Cmpr, .87od .042wir 2.0l	2
▲	33 387448	(005000-	) Bumper, Poly-E	1
▲	34 387438	(005000-	) Bumper, Poly-E	1
▲	35 387257	(000000-	) Blade, Sqge, Front, Mp1000, Tile	1

**Fig. 35 - Electrical Control Box Circuit Breaker Group**

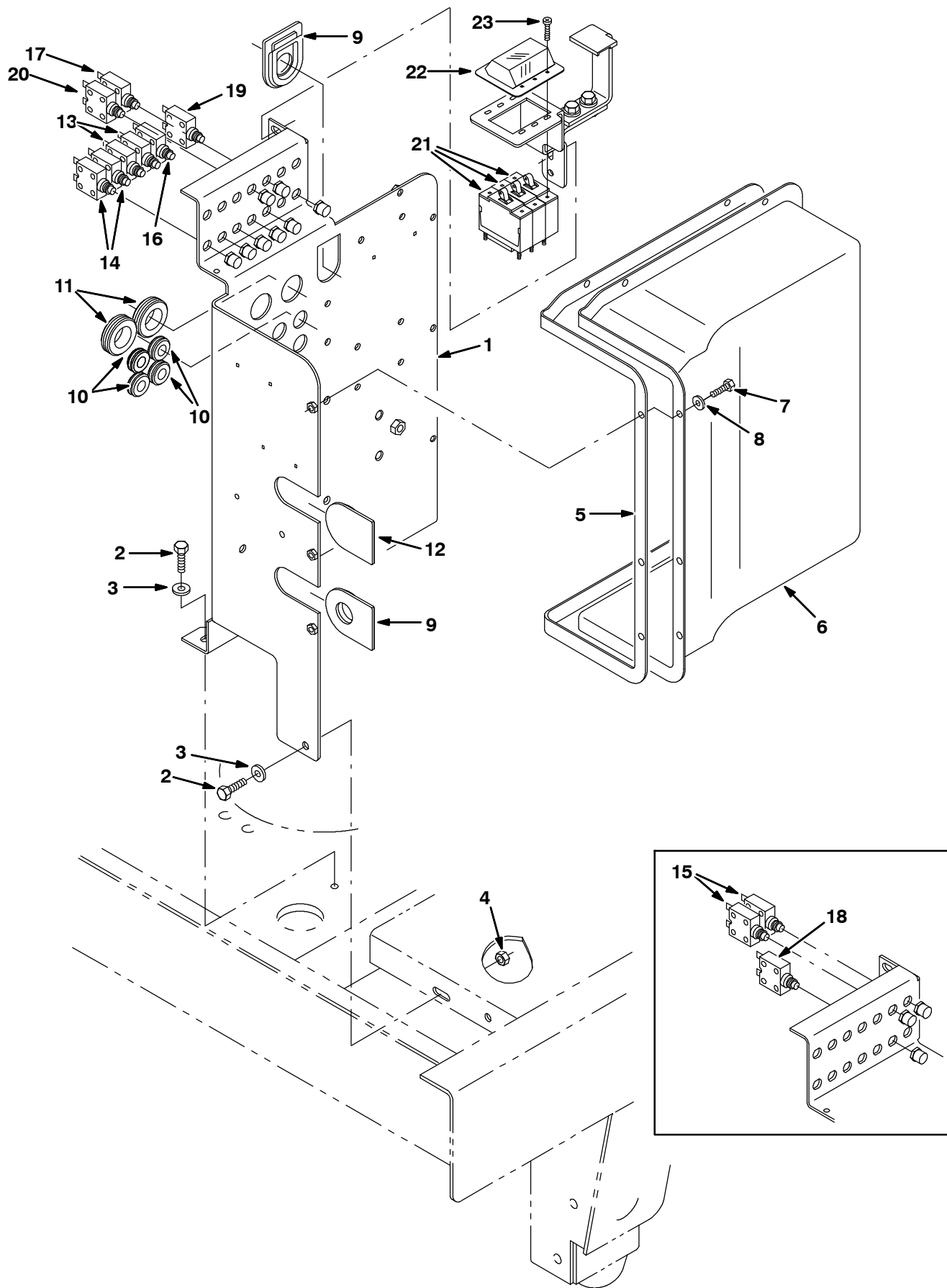


Fig. 35 - Electrical Control Box Circuit Breaker Group

Ref.	Tennant Part No.	Machine Serial Number	Description	Qty.
1	387453	(000000-004999 )	Plate, Controlbox	1
1	1056486	(005000-	Plate, Controlbox, Iron Gray	1
2	16931	(000000-	Screw, Hex, M08 X 1.25 X 20, 8.8	3
3	32491	(000000-	Washer, Flt, .31 Std	3
4	08709	(000000-	Nut, Hex, Lock, M08 X 1.25,NI	1
5	386127	(000000-	Gasket, Cover, Controller	1
6	386128	(000000-	Cover, Controlbox	1
7	09244	(000000-	Screw, Hex, M05 X 0.8 X 16, 8.8	8
8	01683	(000000-	Washer, Flt, #10 Ss	8
9	386563	(000000-	Grommet, Rbr, 1.0b	2
10	10632-17	(000000-	Grommet, Rbr, 0.50id, F/ 0.8h, .12matl	4
11	10632-14	(000000-	Grommet, Rbr, 1.00id, F/ 1.4h, .12matl	2
12	386564	(000000-	Plug, Rbr	1
13	383723	(000000-001705 )	Circuitbreaker, 20.0a	2
13	383725	(001706-	Circuitbreaker, 30.0a	2
14	383722	(000000-	Circuitbreaker, 15.0a	2
15	383728	(000000-001705 )	Circuitbreaker, 50.0a	2
16	383724	(000000-	Circuitbreaker, 25.0a	1
17	383721	(000000-	Circuitbreaker, 10.0a	1
18	383728	(000000-001705 )	Circuitbreaker, 50.0a (Center Brush Option)	1
19	383727	(000000-	Circuitbreaker, 40.0a (Power Steering Option)	1
20	383722	(000000-	Circuitbreaker, 15.0a (Power Wand / Side Sweep Option)	1
21	387636	(001706-	Circuitbreaker, 40a, (Max Pro™ 1200 Disk)	3
21	387636	(001706-	Circuitbreaker, 40a, (Max Pro™ 1000 Disk W/Std Motor)	2
21	387637	(001706-	Circuitbreaker, 45a, (Max Pro™ 1000 Disk W/Hd Motor)	2
21	387637	(001706-	Circuitbreaker, 45a, (Max Pro™ 1000 Cylindrical)	2
21	387637	(001706-	Circuitbreaker, 45a, (Max Pro™ 1200 Cylindrical)	2
22	387640	(001706-	Boot, Protector, Circuitbreaker	1
23	19320	(001706-	Screw, Pan, #06-32X0.38, 1	6

**Fig. 36 - Electrical Control Box Contactor Group (000000- 001705)**

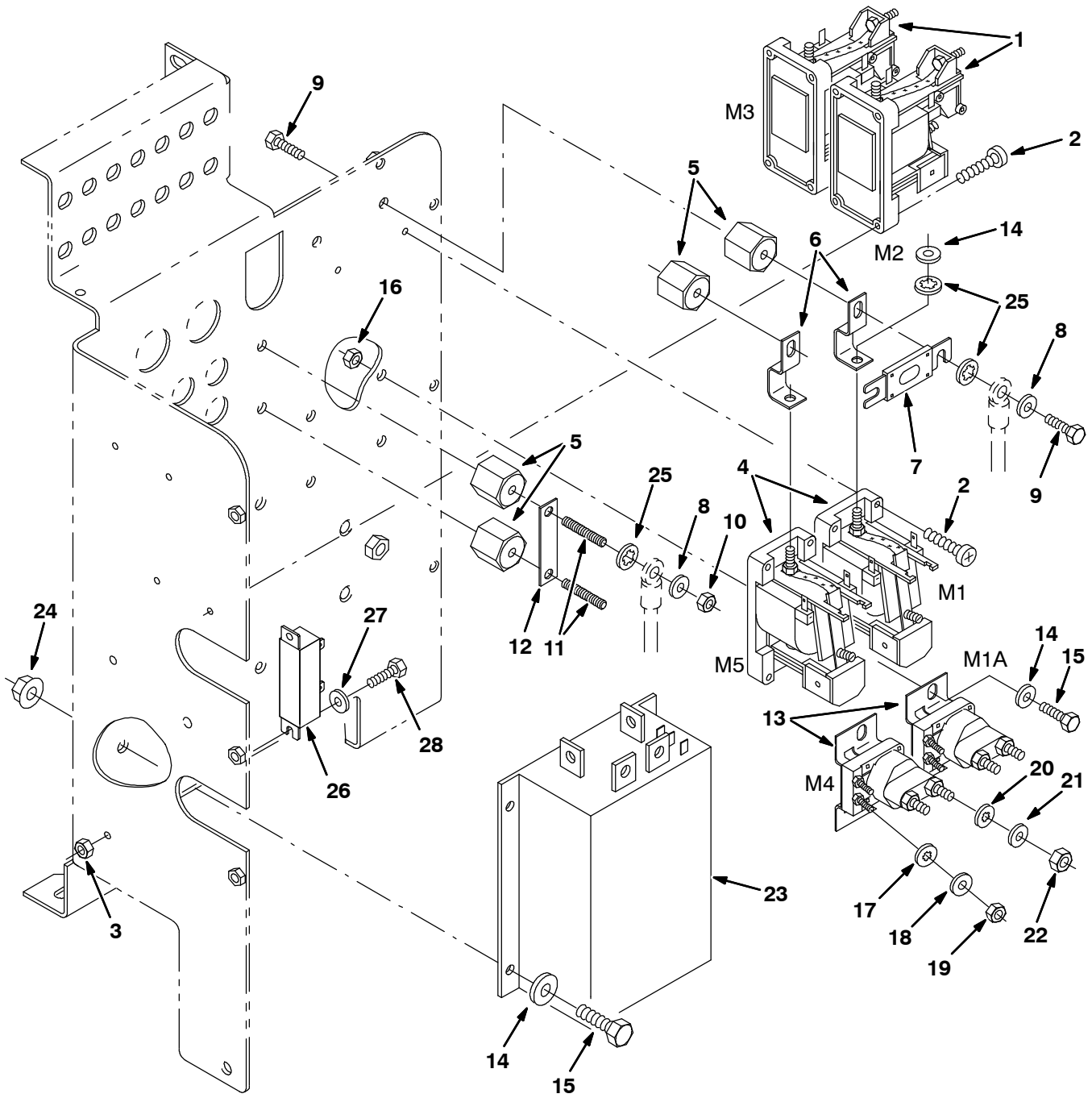


Fig. 36 - Electrical Control Box Contactor Group (000000- 001705)

Ref.	Tennant Part No.	Machine Serial Number	Description	Qty.
1	87482	(000000-001705 )	Contactactor, 36vdc, Spdt	2
2	71026	(000000-001705 )	Screw, Pan, M04 X 0.7 X 30, 4.8	8
3	06549	(000000-001705 )	Nut, Hex, Lock, M05 X 0.8, NI	2
4	86375	(000000-001705 )	Contactactor, 36vdc, [Spno]	2
5	76062	(000000-001705 )	Insulator, Panel	4
6	87507	(000000-001705 )	Busbar, Fuse, .6 0.6w 0.8h 2.0l	2
7	386807	(000000-001705 )	Fuse, 150amp	1
8	32490	(000000-001705 )	Washer, Flt, .25 Std	4
9	19314	(000000-001705 )	Screw, Hex, .25-20 X 0.38, 5	6
10	19312	(000000-001705 )	Nut, Hex, Std, .25-20	2
11	41702	(000000-001705 )	Rod, Thrd, Full, .25-20 01.5l	2
12	87483	(000000-001705 )	Busbar, .06 0.6w 2.5l 2/.28h	1
13	386810	(000000-001705 )	Contactactor, 36vdc	2
14	32483	(000000-001705 )	Washer, Flt, .25 Sae	9
15	06942	(000000-001705 )	Screw, Hex, M06 X 1.0 X 16, 8.8	6
16	08708	(000000-001705 )	Nut, Hex, Lock, M06 X 1.0, NI	4
17	32980	(000000-001705 )	Washer, Lock, Int, #10	4
18	19066	(000000-001705 )	Washer, Flt, #10	4
19	01713	(000000-001705 )	Nut, Hex, Std, #10-32, 2	4
20	32984	(000000-001705 )	Washer, Lock, Int, .31	4
21	39349	(000000-001705 )	Washer, Flt, .31 Sae	4
22	01715	(000000-001705 )	Nut, Hex, Std, .31-24	4
23	386302	(000000-001705 )	Controller, Motor, 36vdc, 1204	1
24	07790	(000000-001705 )	Nut, Hex, Flng, M06 X 1.0	4
25	32982	(000000-001705 )	Washer, Lock, Int, .25	9
26	87349	(000000-001705 )	Resistor, 040.00ohm, 40watt	1
27	01683	(000000-001705 )	Washer, Flt, #10 Ss	2
28	12312	(000000-001705 )	Screw, Hex, M05 X 0.8 X 12, 8.8	2

**Fig. 37 - Electrical Control Box Contactor Group (001706- )**

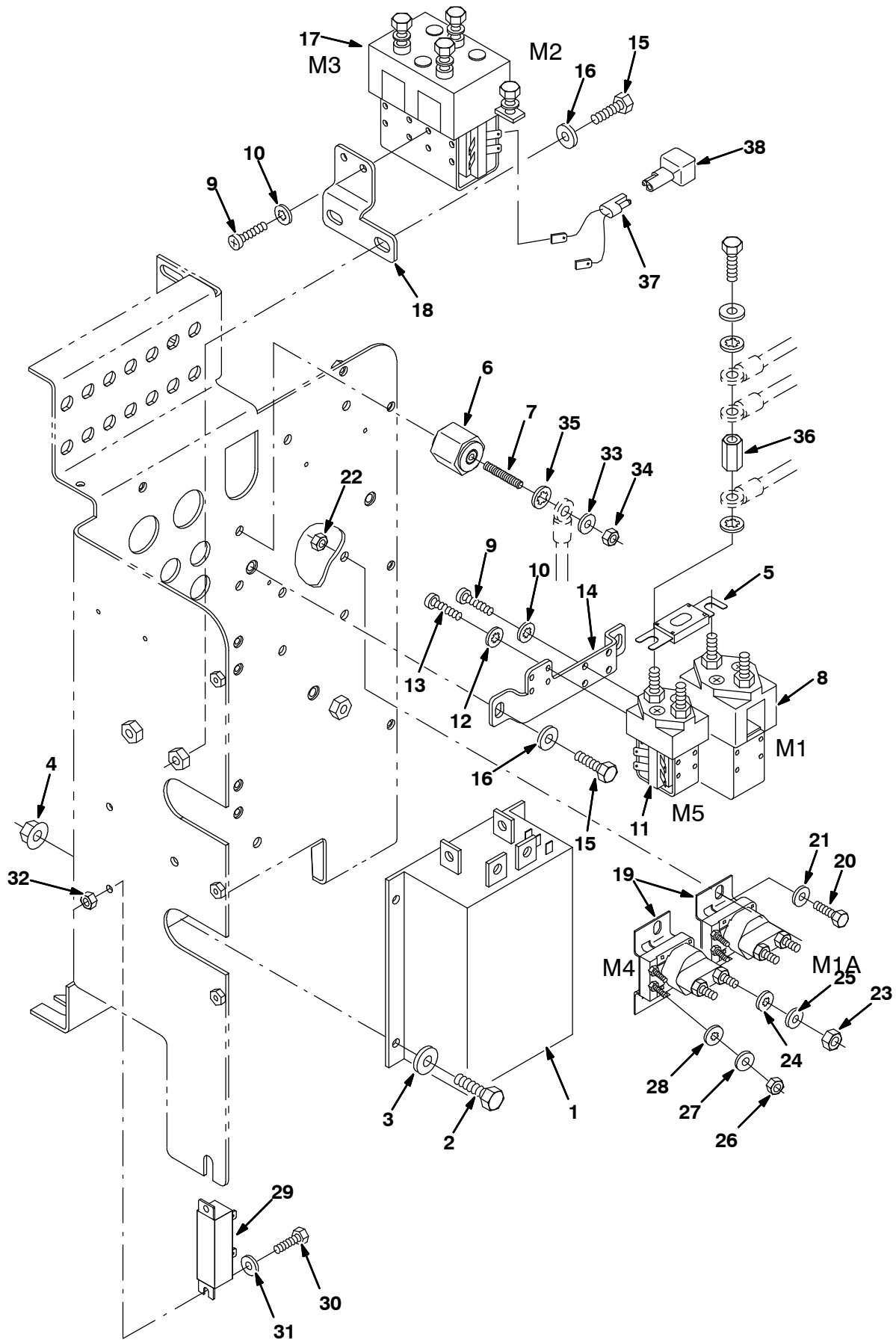




Fig. 37 - Eleactrical Control Box Contactor Group (001706- )

Ref.	Tennant Part No.	Machine Serial Number	Description	Qty.
1	386302	(001706-	) Controller, Motor, 36vdc, 1204	1
2	06942	(001706-	) Screw, Hex, M 6 X 1.0 X 16, 8.8	4
3	32483	(001706-	) Washer, Flat, 0.25 Sae	4
4	07790	(001706-	) Nut, Hex, Flng, M06 X 1.0	4
5	386807	(001706-	) Fuse, 150amp	1
6	76062	(001706-	) Insulator, Panel & Switchboard	1
7	41702	(001706-	) Rod, Thrd, Full, .25-20 01.5l	1
8	1007337	(001706-	) Contactor, 36vdc, 200a, Spst	1
9	06931	(001706-	) Screw, Pan, M 5 X 0.8 X 6, 4.8	6
10	07514	(001706-	) Washer, Lock, Int, #10, Ss	6
11	387639	(001706-	) Contactor, 36vdc, 100a, Spst	1
12	02938	(001706-	) Washer, Lock, Int, #08, Ss	4
13	06925	(001706-	) Screw, Pan, M 4 X 0.7 X 6, 4.8	4
14	1007344	(001706-004999	) Bracket, Mtg, Controller, Sgl	1
14	1056488	(005000-	) Bracket, Mtg, Controller, Sgl, Iron Gray	1
15	12274	(001706-	) Screw, Hex, M 6 X 1.0 X 20, NI	4
16	32491	(001706-	) Washer, Flat, 0.31 Std	4
17	1007349	(001706-	) Contactor, 36vdc, 200a, Dpdt	1
18	1007353	(001706-004999	) Bracket, Mtg, Relay	1
18	1056489	(005000-	) Bracket, Mtg, Relay, Iron Gray	1
19	386810	(001706-	) Relay, 36vdc, 100a, Sp N/O [White]	2
20	06942	(001706-	) Screw, Hex, M 6 X 1.0 X 16, 8.8	4
21	32483	(001706-	) Washer, Flat, 0.25 Sae	4
22	08708	(001706-	) Nut, Hex, Lock, M 6 X 1.0, NI	4
23	01715	(001706-	) Nut, Hex, Std, .31-24	4
24	32984	(001706-	) Washer, Lock, Int, .31	4
25	39349	(001706-	) Washer, Flat, 0.31 Sae	4
26	01713	(001706-	) Nut, Hex, Std, #10-32, 2	4
27	19066	(001706-	) Washer, Flt, #10	4
28	32980	(001706-	) Washer, Lock, Int, #10	4
29	87349	(001706-	) Resistor, 040.00 0hm, 40watt	1
30	12312	(001706-	) Screw, Hex, M 5 X 0.8 X 12, 8.8	2
31	01683	(001706-	) Washer, Flat, #10 Ss	2
32	06549	(001706-	) Nut, Hex, Lock, M 5 X 0.8, NI	2
33	32490	(001706-	) Washer, Flat, 0.25 Std	1
34	19312	(001706-	) Nut, Hex, Std, .25-20	1
35	32982	(001706-	) Washer, Lock, Int, .25	1
36	387648	(001706-	) Nut, Hex, Cplg, M08X1.25	1
37	370156	(001706-	) Harness, Switch, Key, Diode	2
38	222290	(001706-	) Diode, Ele, Plug	2

Fig. 38 - Electrical Control Box Wires Group (000000- 001705)

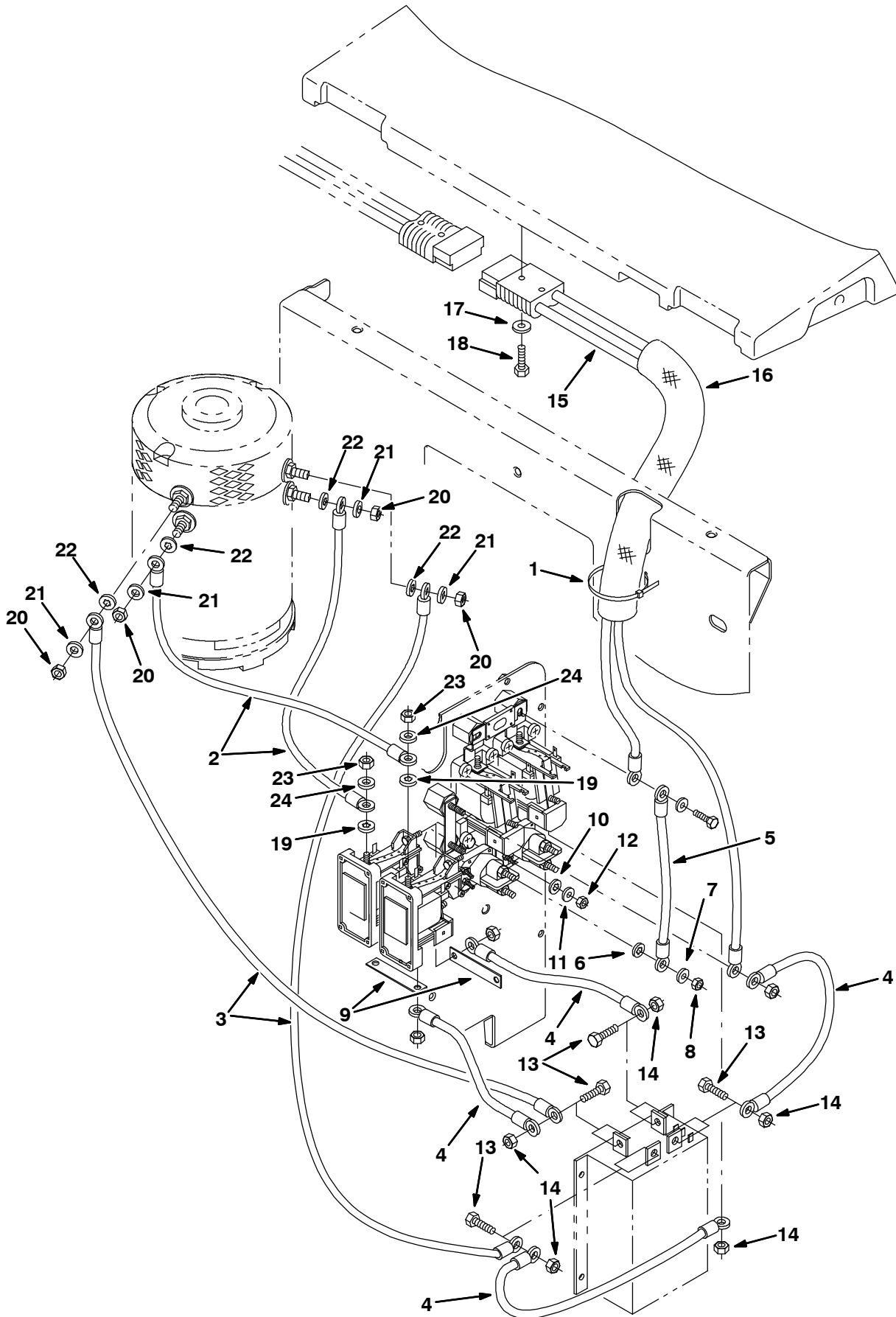


Fig. 38 - Electrical Control Box Wires Group (000000- 001705)

Ref.	Tennant Part No.	Machine Serial Number	Description	Qty.
1	32815	(000000-001705 )	Tie, Cable, Nyl, 28.5l .50w 8.0 Max D	4
2	71529	(000000-001705 )	Wire, 04ga 32.0l Blk .31ring /.31ring	1
3	386804	(000000-001705 )	Wire Assy, 02ga 27.0l Blk .34h /.34h	2
4	86393	(000000-001705 )	Wire, 04ga 09.0l Blk .34ring /.28ring	4
5	15846	(000000-001705 )	Wire, 06ga 11.0l Blk .34ring /.28ring	1
6	32984	(000000-001705 )	Washer, Lock, Int, .31	4
7	39348	(000000-001705 )	Washer, Flat, 1.50 Std Hard	4
8	01715	(000000-001705 )	Nut, Hex, Std, .31-24	4
9	87483	(000000-001705 )	Busbar, .06 0.6w 2.5l 2/.28h	2
10	07514	(000000-001705 )	Washer, Lock, Int, #10, Ss	4
11	19066	(000000-001705 )	Washer, Flt, #10	4
12	01713	(000000-001705 )	Nut, Hex, Std, #10-32, 2	4
13	16931	(000000-001705 )	Screw, Hex, M08 X 1.25 X 20, 8.8	4
14	08709	(000000-001705 )	Nut, Hex, Lock, M08 X 1.25, NI	4
15	386610	(000000-001705 )	Harness, Battery, Connecting	1
16	31647	(000000-001705 )	Sleeve, Nyl, #15 14.0l	1
17	01684	(000000-001705 )	Washer, Flt, .25 Ss	2
18	33930	(000000-001705 )	Screw, Hex, M06 X 1.0 X 40, Ss	2
19	32982	(000000-001705 )	Washer, Lock, Int, .25	2
20	39311	(000000-001705 )	Nut, Hex, Std, M08 X 1.25	4
21	32490	(000000-001705 )	Washer, Flt, .25 Std	4
22	32988	(000000-001705 )	Washer, Lock, Int, .38	2
23	41359	(000000-001705 )	Nut, Hex, Std, M06 X 1.0	2
24	32483	(000000-001705 )	Washer, Flt, .25 Sae	4

**Fig. 39 - Electrical Control Box Wires Group (001706- )**

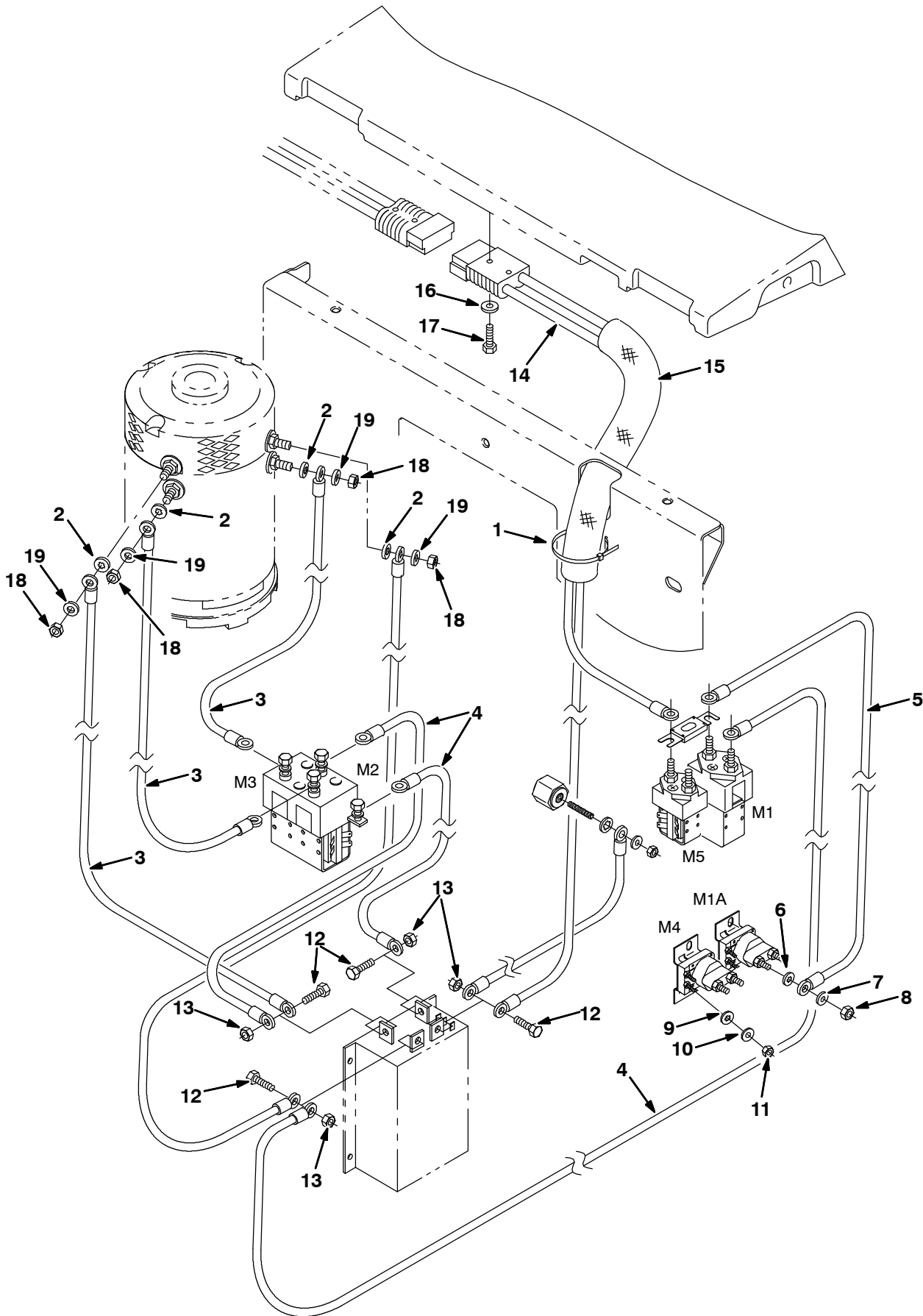


Fig. 39 - Electrical Control Box Wires Group (001706- )

Ref.	Tennant Part No.	Machine Serial Number	Description	Qty.
1	32815	(001706-	) Tie, Cable, Nyl, 28.5l .50w 8.0 Max D	4
2	32988	(001706-	) Washer, Lock, Int, .38	2
3	386804	(001706-	) Wire Assy, 02ga 27.0l Blk .34h /.34h	4
4	387641	(001706-	) Wire Assy, 02ga, 10.0l, Blk	4
5	63740	(001706-	) Wire, 06Ga 09.0L Blk .34 Ring/.34 Ring	1
6	32984	(001706-	) Washer, Lock, Int, .31	4
7	39348	(001706-	) Washer, Flat, 1.50 Std Hard	4
8	01715	(001706-	) Nut, Hex, Std, .31-24	4
9	07514	(001706-	) Washer, Lock, Int, #10, Ss	4
10	19066	(001706-	) Washer, Flt, #10	4
11	01713	(001706-	) Nut, Hex, Std, #10-32, 2	4
12	16931	(001706-	) Screw, Hex, M 8 X 1.25 X 20, 8.8	4
13	08709	(001706-	) Nut, Hex, Lock, M 8 X 1.25 NI	4
14	386610	(001706-	) Harness, Battery, Connecting	1
15	31647	(001706-	) Sleeve, Nyl, #15 14.0l	1
16	01684	(001706-	) Washer, Flat, 0.25 Ss	2
17	33930	(001706-	) Screw, Hex, M 6 X 1.0 X 40, Ss	2
18	39311	(001706-	) Nut, Hex, Std, M08 X 1.25	4
19	32490	(001706-	) Washer, Flat, 0.25 Std	4

Fig. 40 - Electrical Circuit Board Group

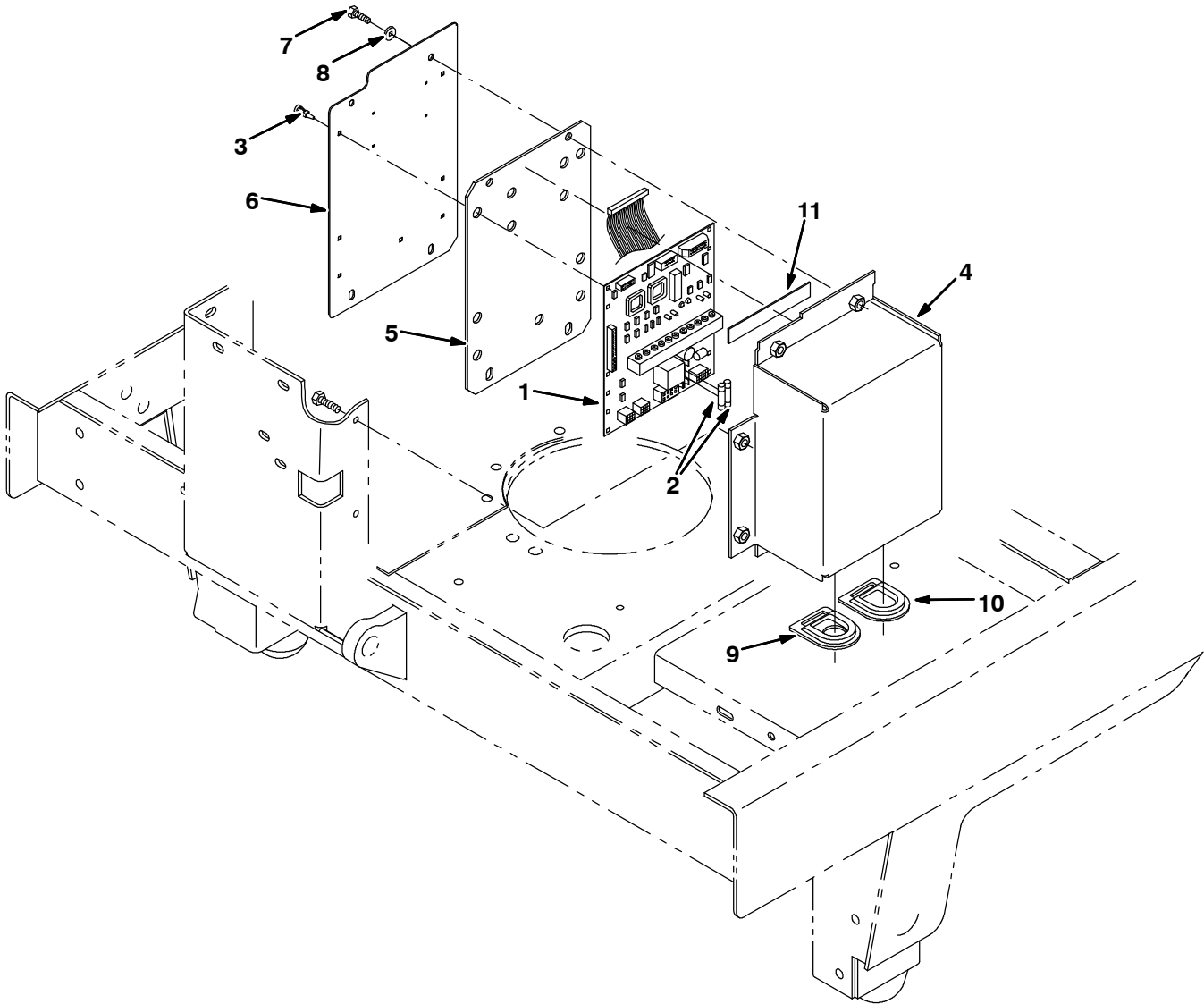
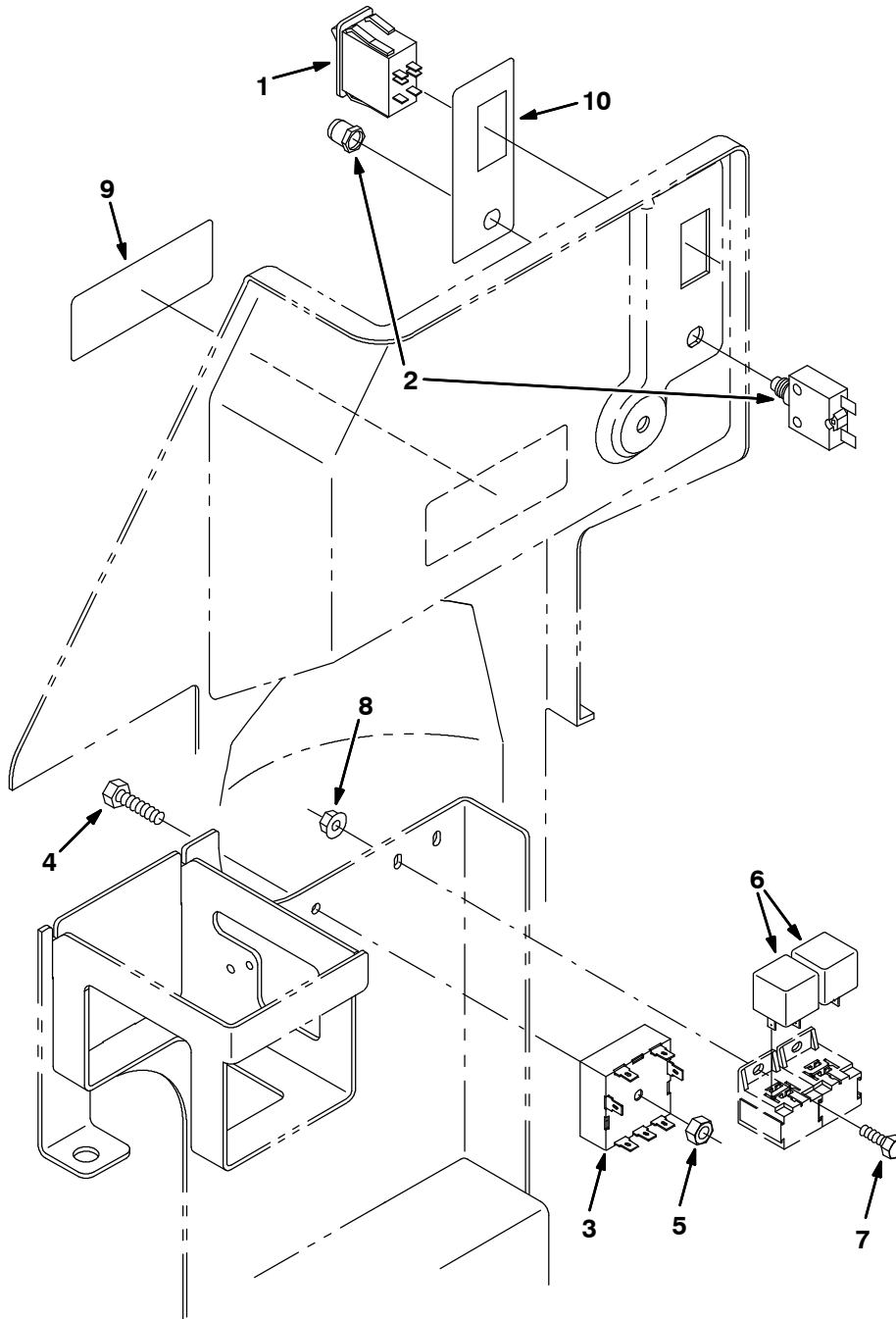


Fig. 40 - Electrical Circuit Board Group

	Ref.	Tennant Part No.	Machine Serial Number	Description	Qty.
▽	1	9008411	(000000-005351 )	Circuitboard Assy Kit [7300/8300]	1
▲	2	603103000	(000000-005351 )	Fuse, .20A, 3Ag, Slo-Blo	2
▽	1	1065190	(005352- )	Circuitboard Assy [7300/8300, Imp]	1
▲	2	603103000	(005352- )	Fuse, .20A, 3Ag, Slo-Blo	2
	3	15840	(000000- )	Pin, Prong	7
	4	386922	(000000-004999 )	Box, Circuitboard	1
	4	1056478	(005000- )	Box, Circuitboard, Iron Gray	1
	5	386921	(000000- )	Gasket	1
	6	386920	(000000-004999 )	Cover	1
	6	1056477	(005000- )	Cover, Iron Gray	1
	7	06942	(000000- )	Screw, Hex, M06 X 1.0 X 16, 8.8	6
	8	32483	(000000- )	Washer, Flt, .25 Sae	4
	9	386563	(000000- )	Grommet, Rbr, 1.0b	1
	10	386564	(000000- )	Plug, Rbr	1
	11	387529	(000000- )	Tape, Foam	1

# STANDARD PARTS

Fig. 41 - Electrical Group, FaST (000000-003746)

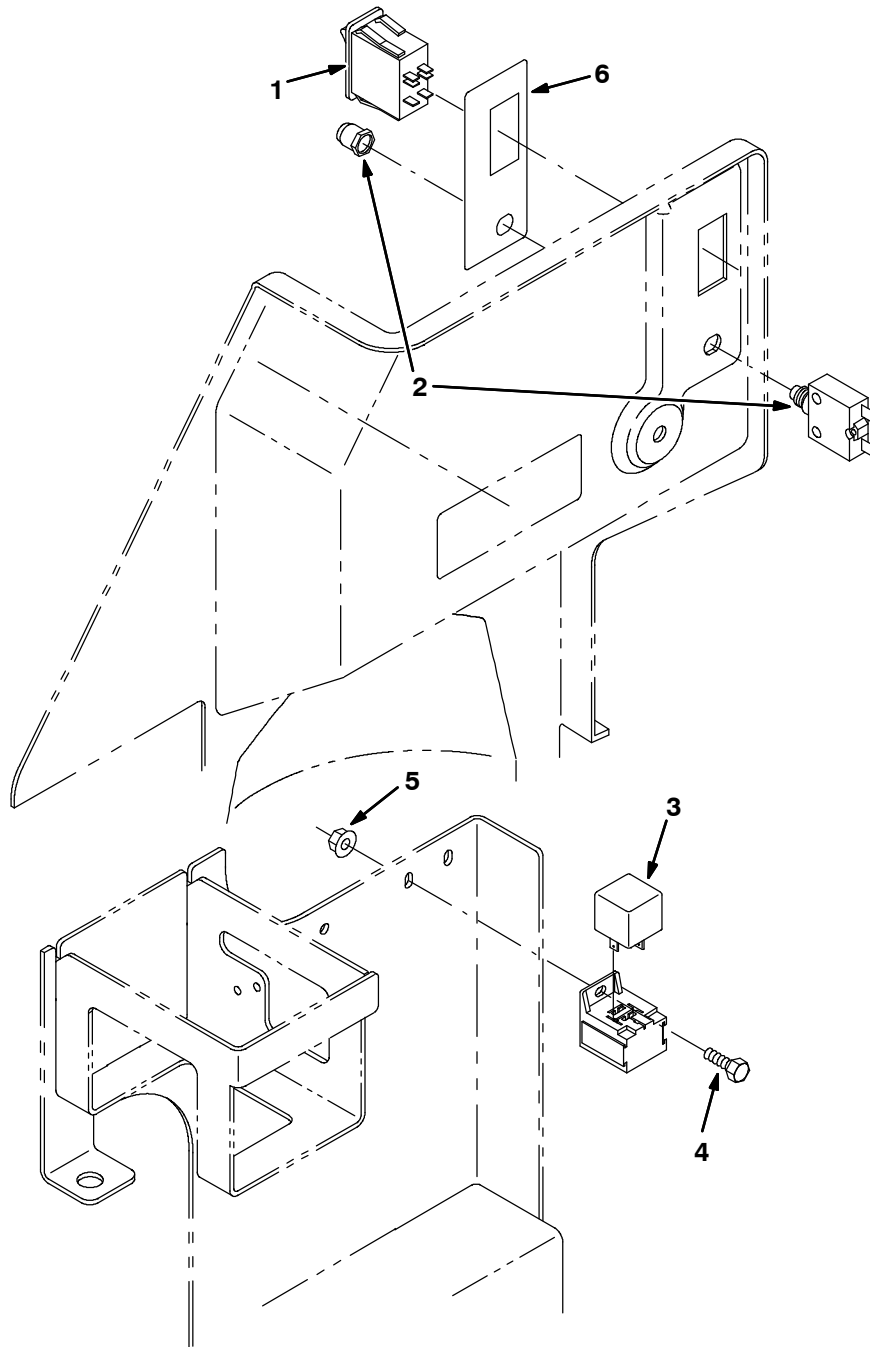


354204- 7300

Ref.	Tennant Part No.	Machine Serial Number	Description	Qty.
1	377084	(000000-003746 )	Switch, Rocker, 36vdc 05a Progressive	1
2	383721	(000000-003746 )	Circuitbreaker, 10.0a	1
3	1028580	(000000-003746 )	Timer, 9-41vdc, Recycling	1
4	06945	(000000-003746 )	Screw, Hex, M6 X 1.0 X 30, 8.8	1
5	08708	(000000-003746 )	Nut, Hex, Lock, M 6 X 1.0, NI	1
6	398526	(000000-003746 )	Relay, 36vdc, 05a, Spdt N/O [Greenwich]	2
7	09244	(000000-003746 )	Screw, Hex, M5 X 0.8 X 16, 8.8	2
8	07789	(000000-003746 )	Nut, Hex, Flng, M5 X 0.8	2
9	1005416	(000000-003746 )	Label, Fast	1
10	1011276	(000000-003746 )	Label, Switch, Fast	1



Fig. 42 - Electrical Group, FaST (003747- )

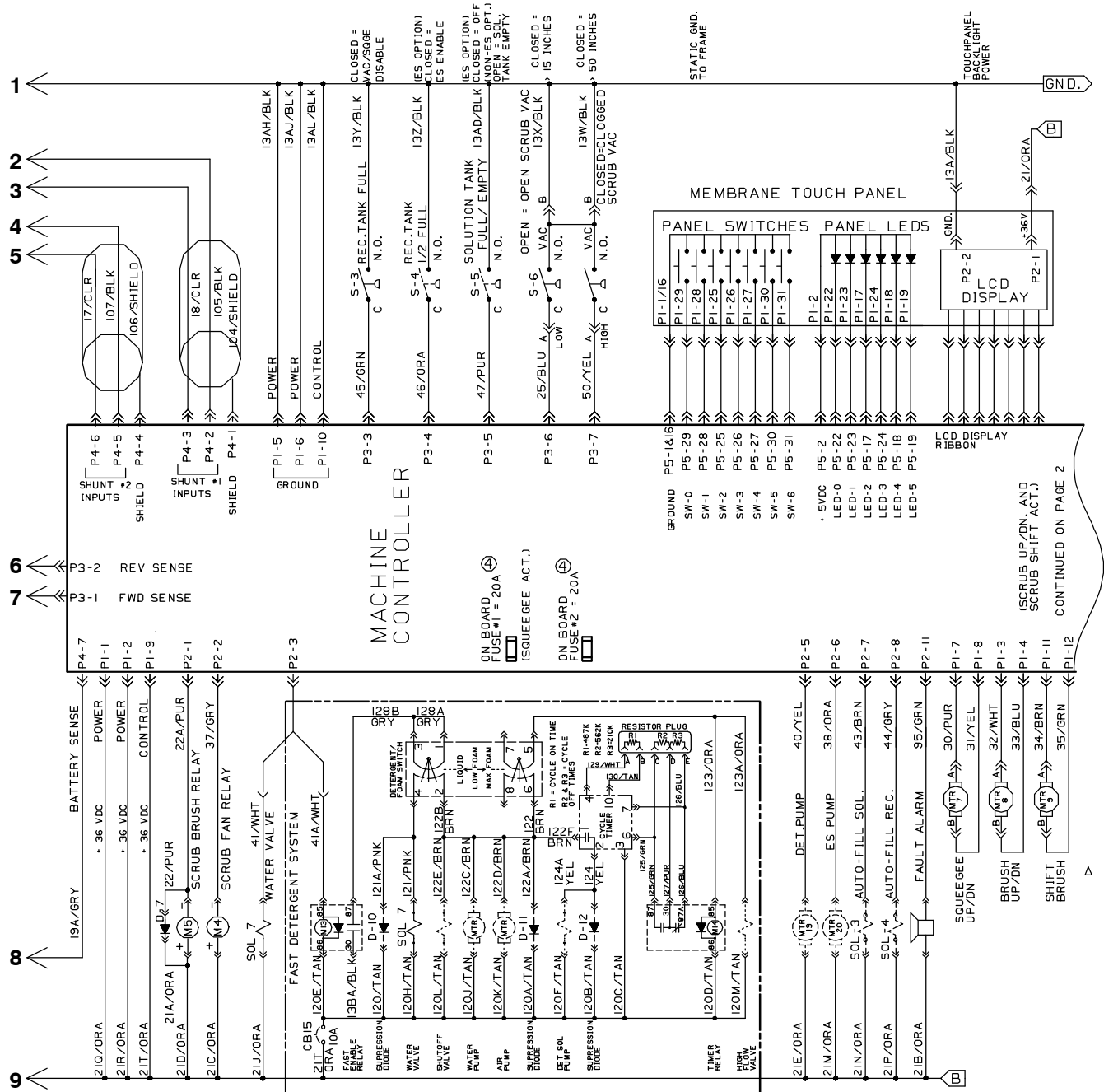


354204- 7300

Ref.	Tenant Part No.	Machine Serial Number	Description	Qty.
1	377084	(003747- )	Switch, Rocker, Prgrsv	1
2	383720	(003747- )	Circuitbreaker, 05.0A, Resetable	1
3	398526	(003747- )	Relay, 36Vdc, 005A, Spdt No [Greenwich]	1
4	12312	(003747- )	Screw, Hex, M5 X 0.80 X 12, 8.8	1
5	19066	(003747- )	Washer, Flat, 10	1
6	1011276	(003747- )	Label, Switch [7300/8300 FaST]	1



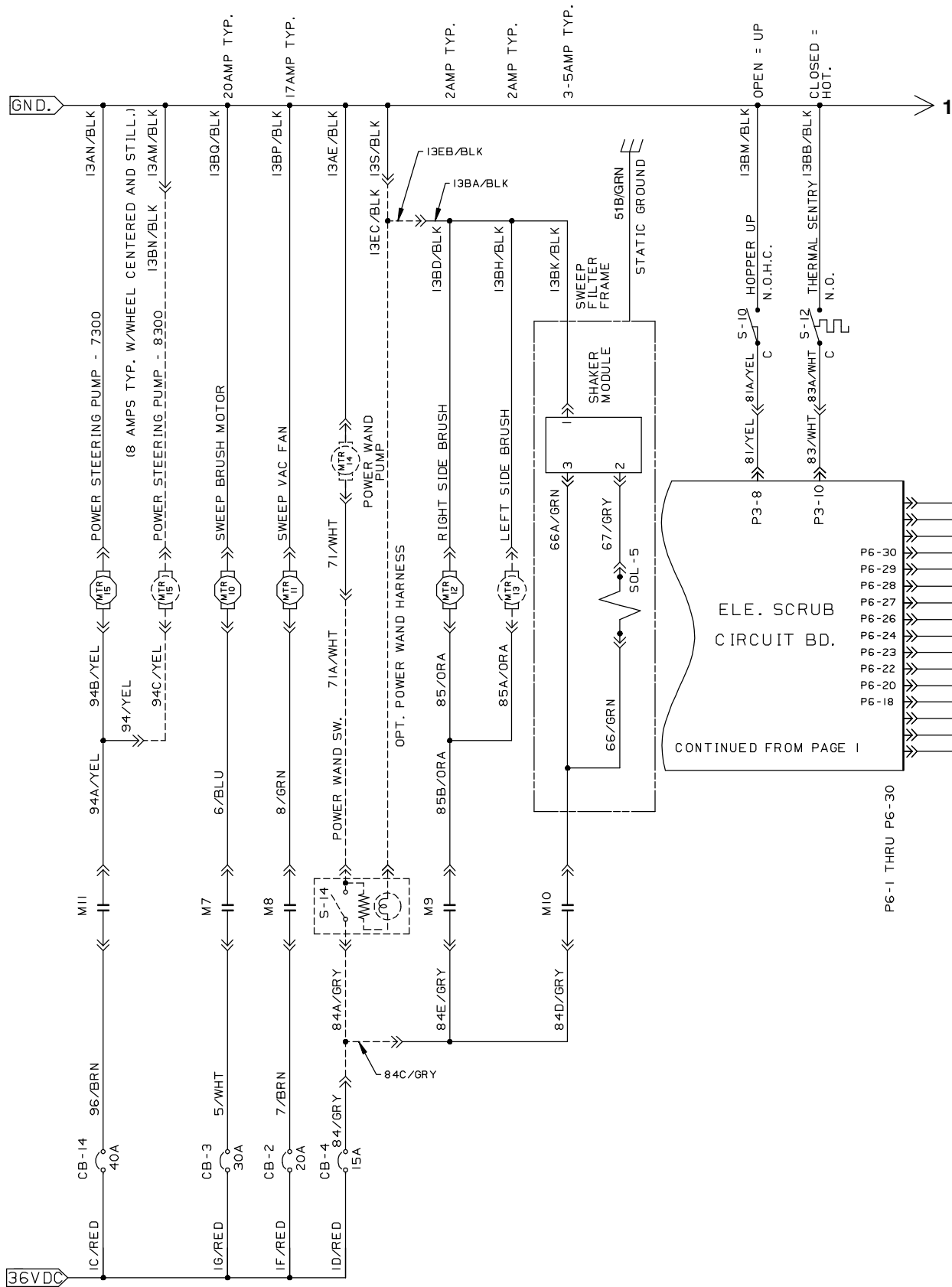
Fig. 43 - Electrical Schematic (00000-003746)



CB	CIRCUIT BREAKER	FU	FUSE
MTR	MOTOR	D	DIODE
P	CONNECTOR PIN	M	RELAY COIL
S	SWITCH	R	RESISTOR
ARM	ARMATURE	HM	HOURLMETER
N.O.	NORM. OPEN CONTACT	C	COMMON CONTACT
SV	HYD. SOLENOID VALVE	SOL.	ELE. MECH. VALVE

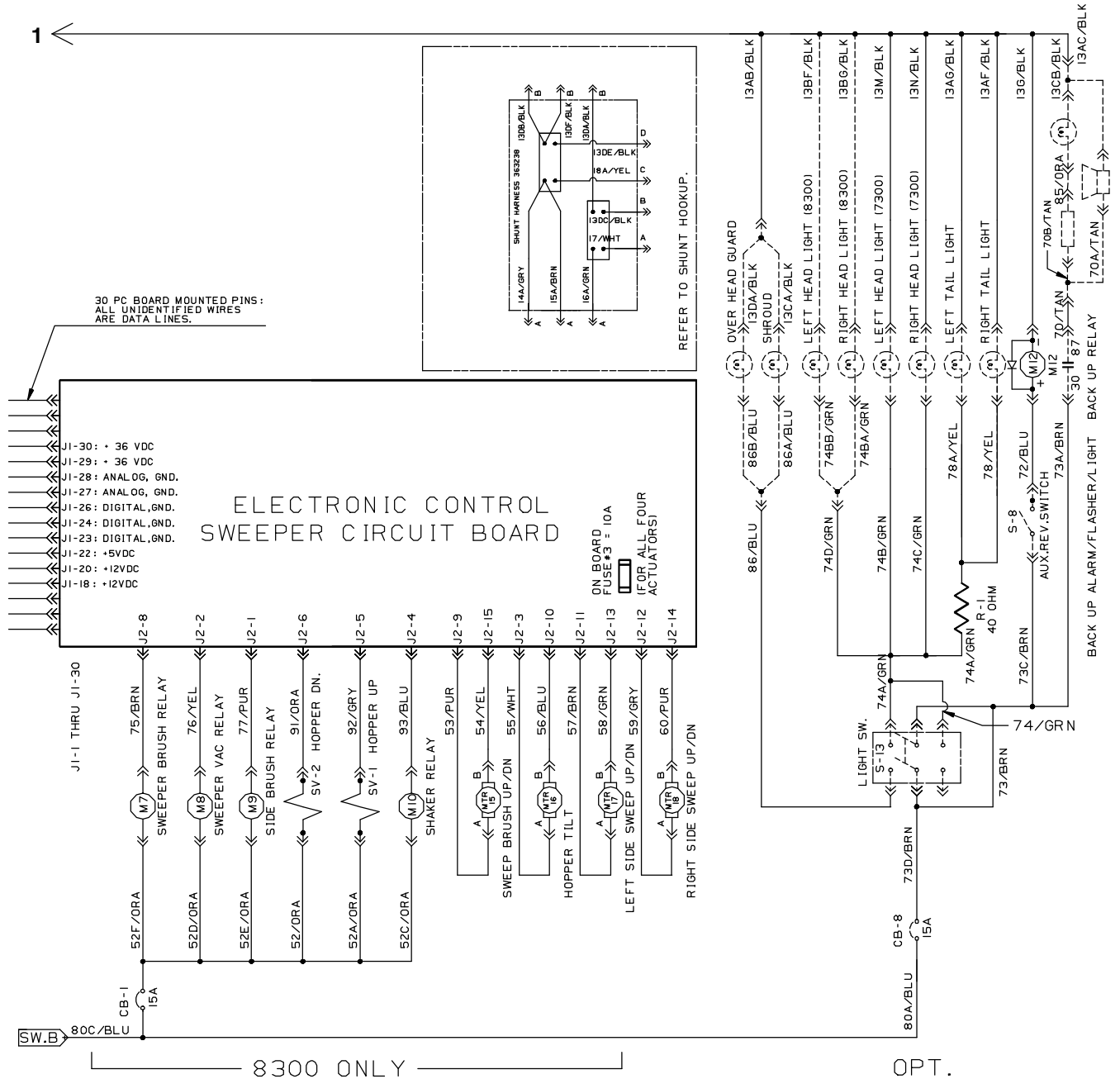
353346, 386300

Fig. 43 - Electrical Schematic (000000-003746)



8300 ONLY OPT.

Fig. 43 - Electrical Schematic (000000-003746)

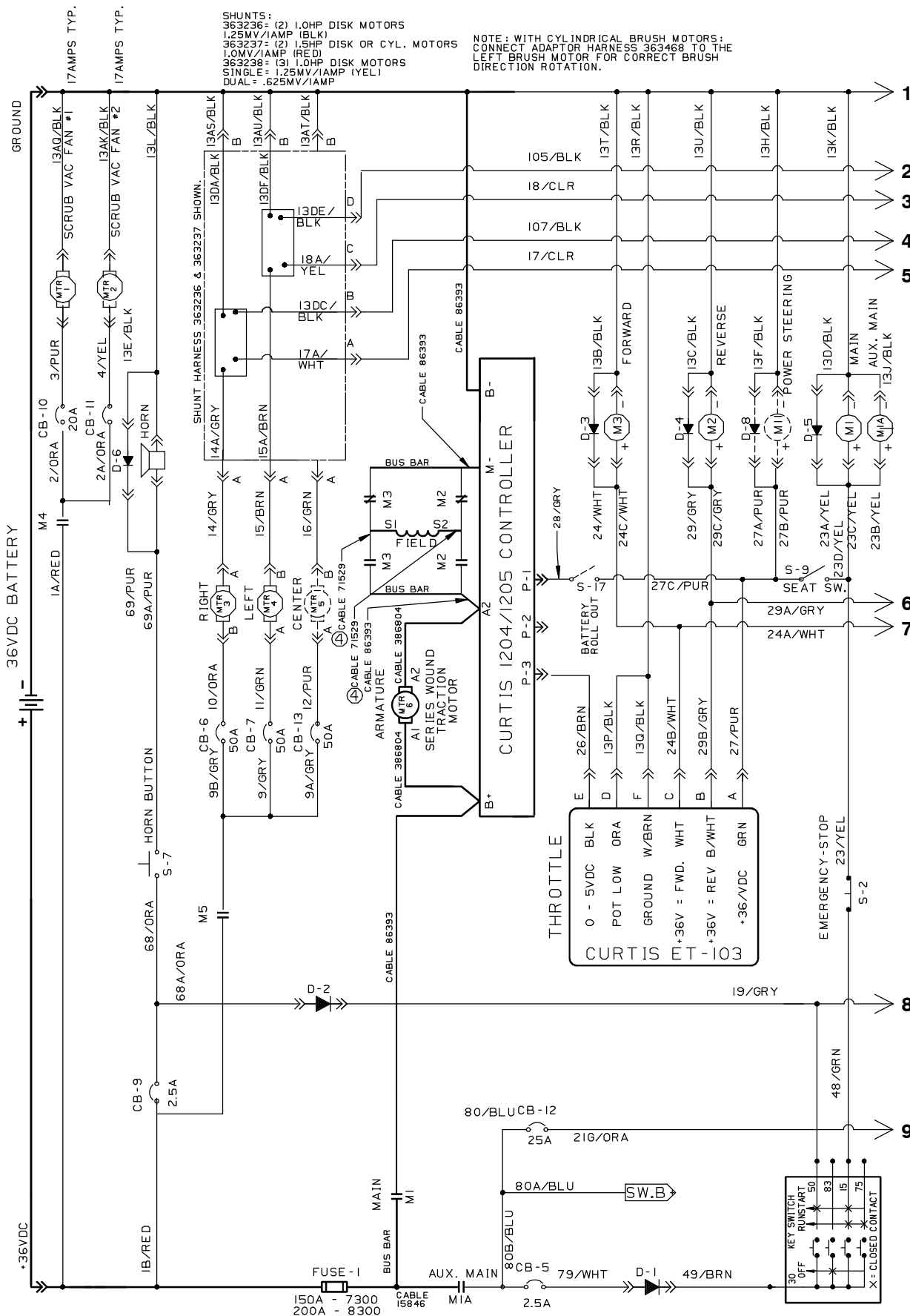


LEGEND

CB	CIRCUIT BREAKER	FU	FUSE
MTR	MOTOR	D	DIODE
P	CONNECTOR PIN	M	RELAY COIL
S	SWITCH	R	RESISTOR
ARM	ARMATURE	HM	HOURLMETER
N.O.	NORM. OPEN CONTACT	C	COMMON CONTACT

353346, 386300

Fig. 44 - Electrical Schematic (003747- )



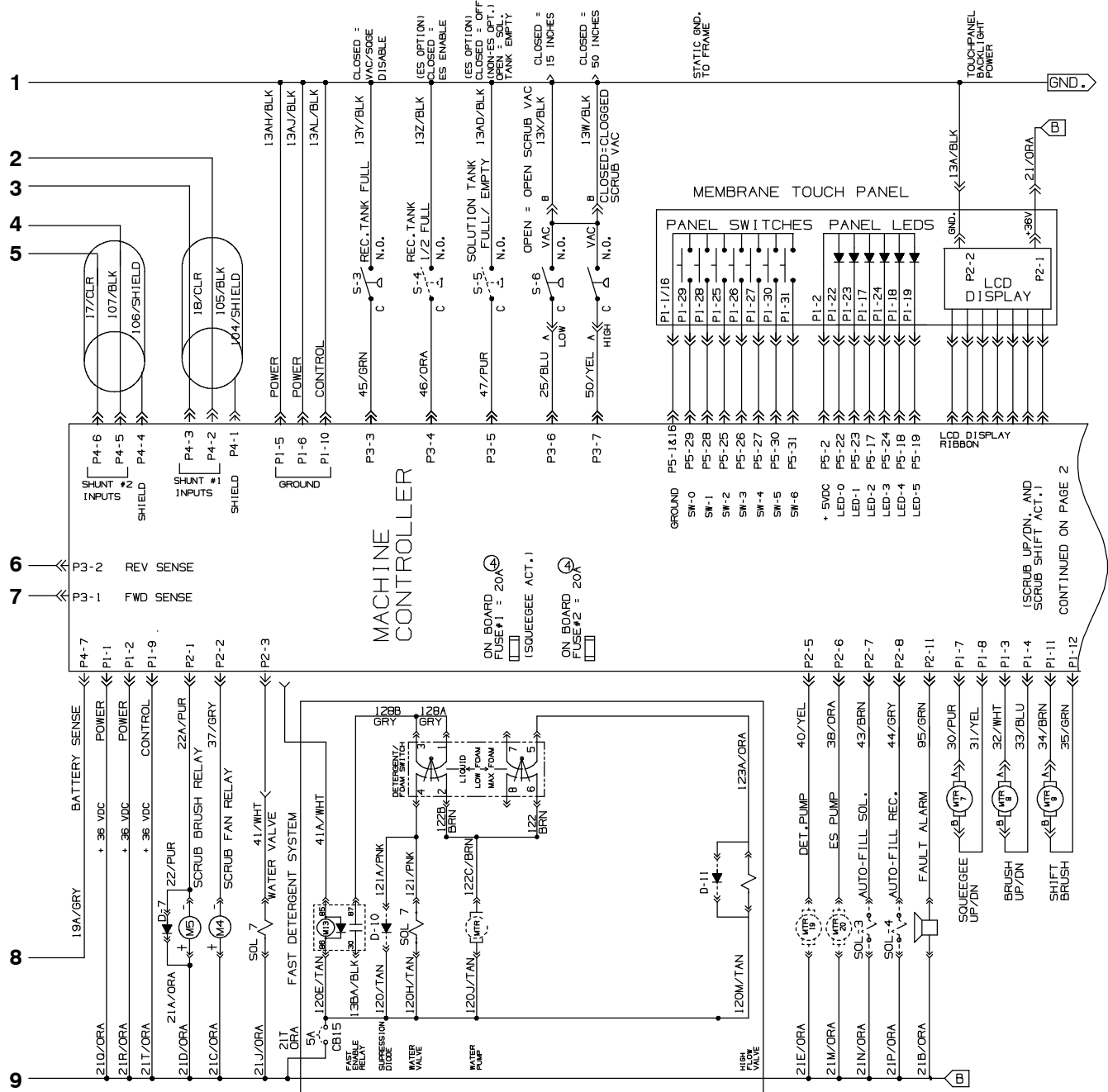
SHUNTS:  
 363236: (2) 1.0HP DISK MOTORS  
 1.25MV/IAMP (BLK)  
 363237: (2) 1.5HP DISK OR CYL. MOTORS  
 1.0MV/IAMP (RED)  
 363238: (3) 1.0HP DISK MOTORS  
 951616: 1.25MV/IAMP (YEL)  
 DUAL: 6.25MV/IAMP

NOTE: WITH CYLINDRICAL BRUSH MOTORS;  
 CONNECT ADAPTOR HARNESS 363468 TO THE  
 LEFT BRUSH MOTOR FOR CORRECT BRUSH  
 DIRECTION ROTATION.

THROTTLE  
 0 - 5VDC BLK  
 POT LOW ORA  
 GROUND W/BRN  
 +36V = FWD. WHT  
 +36V = REV B/WHT  
 +36V/DC GRN

353346, 386300

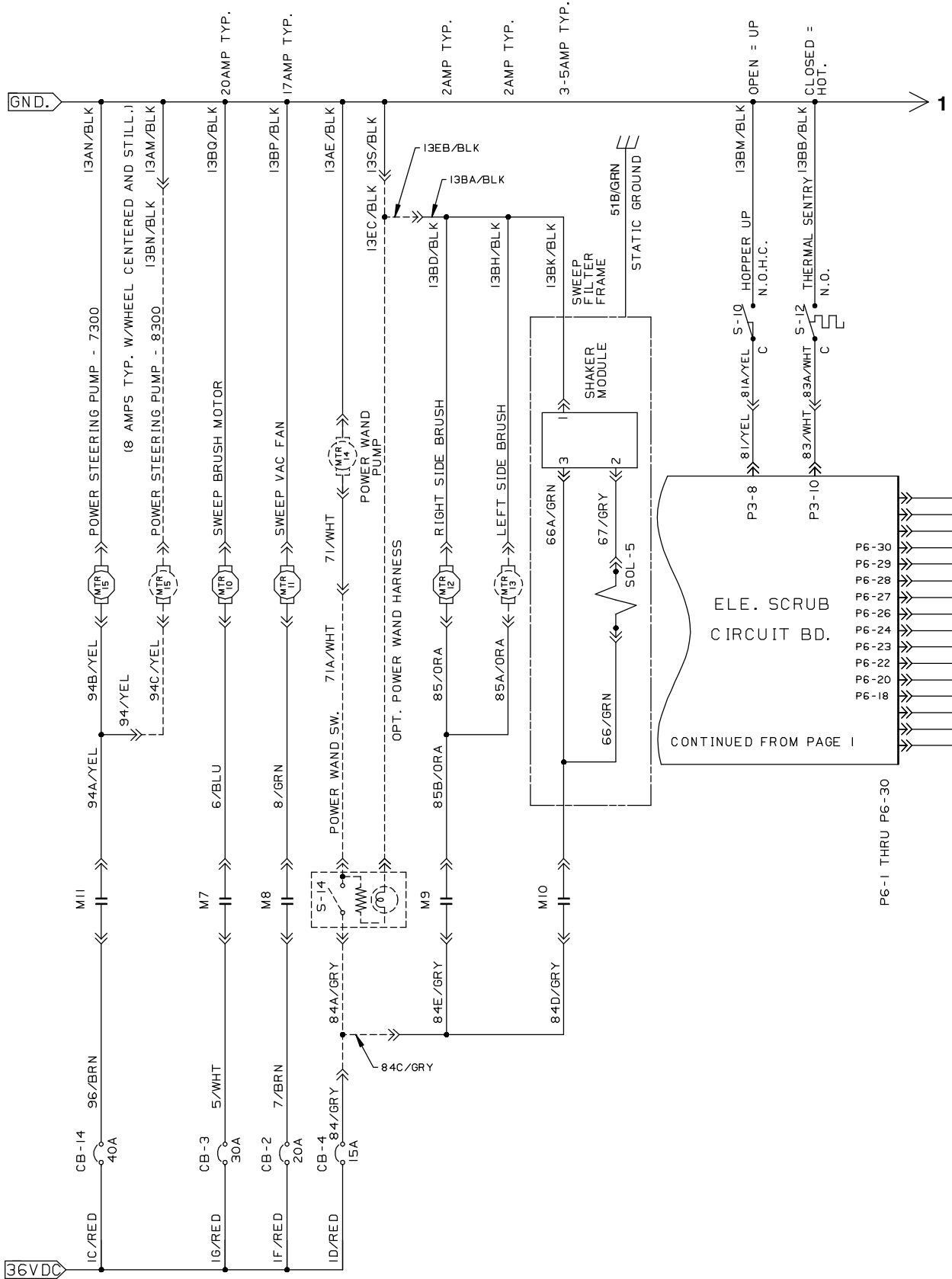
Fig. 44 - Electrical Schematic (003747- )



CB	CIRCUIT BREAKER	FU	FUSE
MTR	MOTOR	D	DIODE
P	CONNECTOR PIN	M	RELAY COIL
S	SWITCH	R	RESISTOR
ARM	ARMATURE	HM	HOURMETER
N.O.	NORM. OPEN CONTACT	C	COMMON CONTACT
SV	HYD. SOLENOID VALVE	SOL.	ELE. MECH. VALVE

353346, 386300

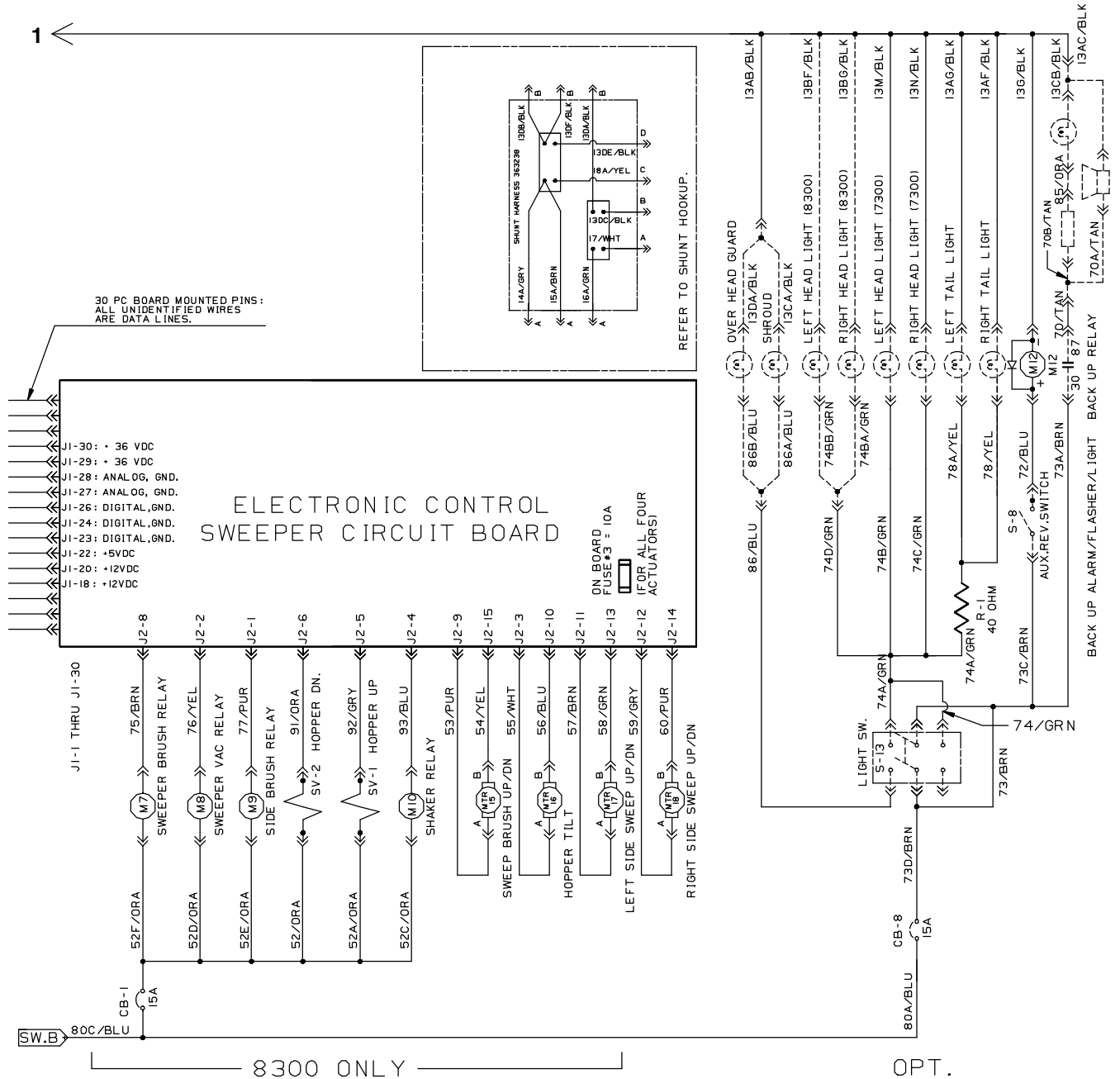
Fig. 44 - Electrical Schematic (003747- )



8300 ONLY OPT.



Fig. 44 - Electrical Schematic (003747- )



LEGEND

CB	CIRCUIT BREAKER	FU	FUSE
MTR	MOTOR	D	DIODE
P	CONNECTOR PIN	M	RELAY COIL
S	SWITCH	R	RESISTOR
ARM	ARMATURE	HM	HOURLMETER
N.O.	NORM. OPEN CONTACT	C	COMMON CONTACT

353346, 386300

Fig. 44 - Electrical Schematic (003747- )

GROUND @ NEG. STANDOFF

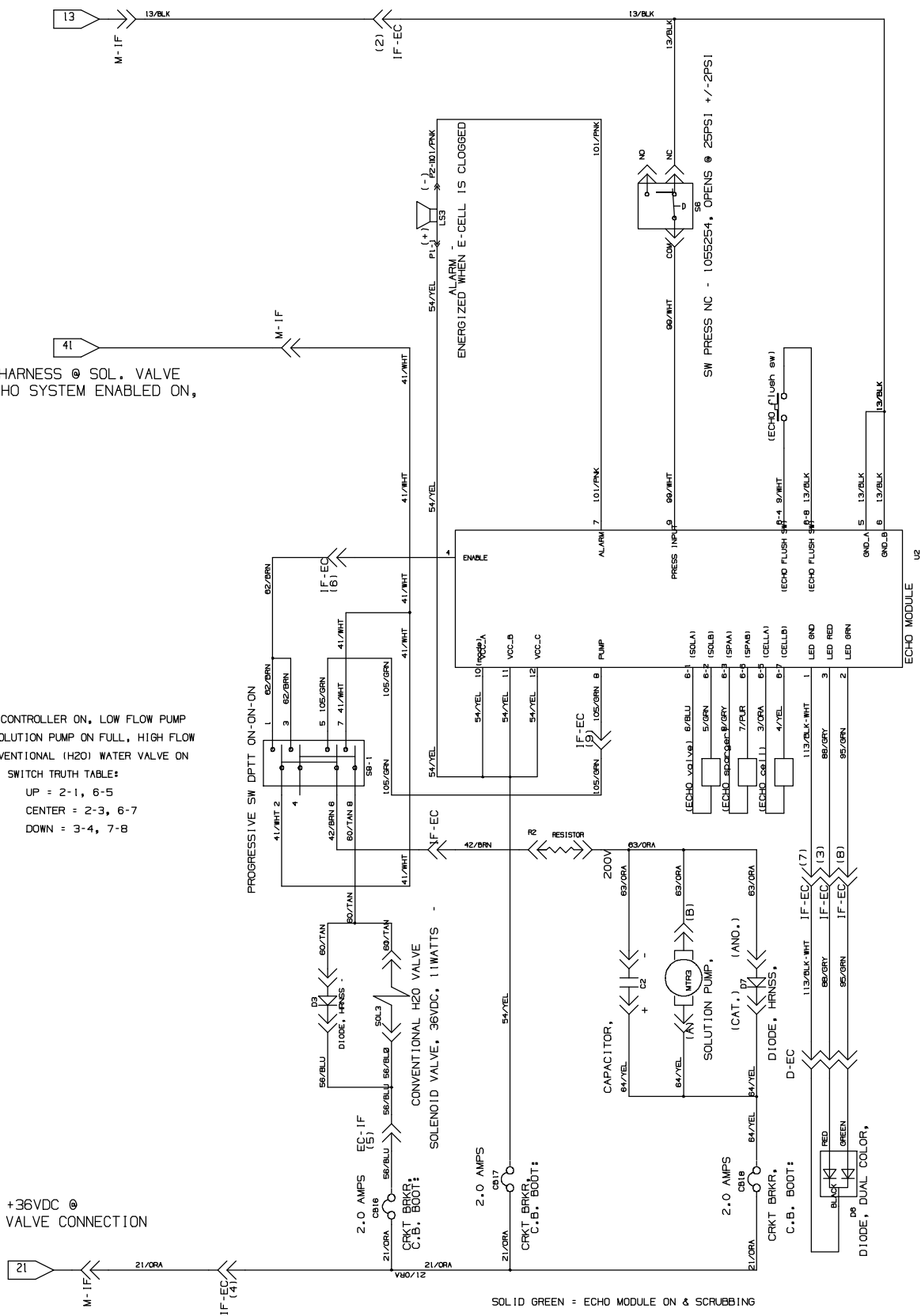
TO MAIN HARNESS @ SOL. VALVE  
LOW = ECHO SYSTEM ENABLED ON,

UP = ECHO CONTROLLER ON, LOW FLOW PUMP  
CENTER = SOLUTION PUMP ON FULL, HIGH FLOW  
DOWN = CONVENTIONAL (H2O) WATER VALVE ON

SWITCH TRUTH TABLE:

UP = 2-1, 6-5  
CENTER = 2-3, 6-7  
DOWN = 3-4, 7-8

SWITCHED +36VDC @  
SOLUTION VALVE CONNECTION



SOLID GREEN = ECHO MODULE ON & SCRUBBING  
SOLID RED = OVER CURRENT OF SOLUTION PUMP OR SPARGER  
FLASHING RED = PRESSURE SWITCH CLOSED "E-CELL IS SCALED UP"

353346, 386300

Fig. 45 - Electrical Wire Harness Group, Main

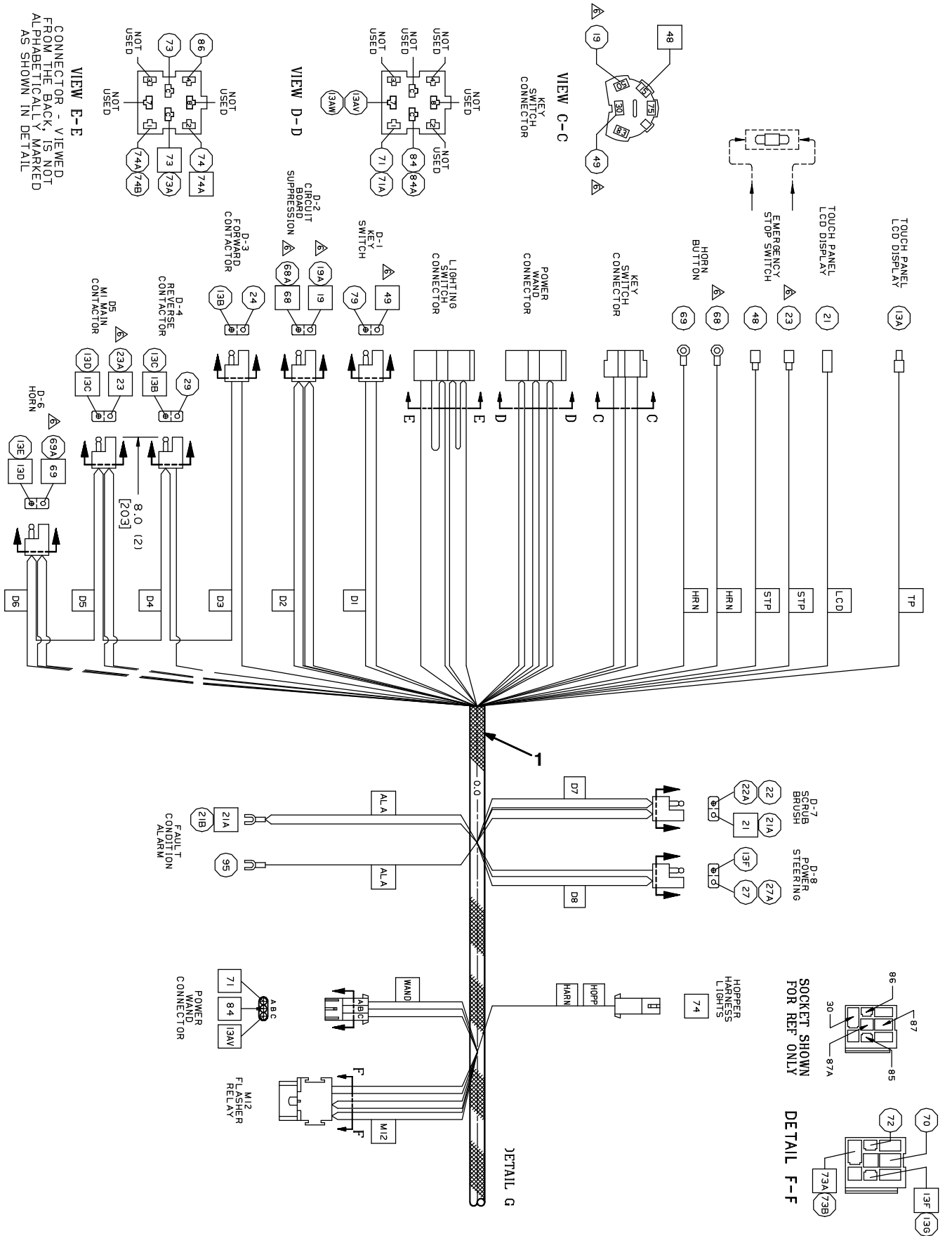




Fig. 45 - Electrical Wire Harness Group, Main

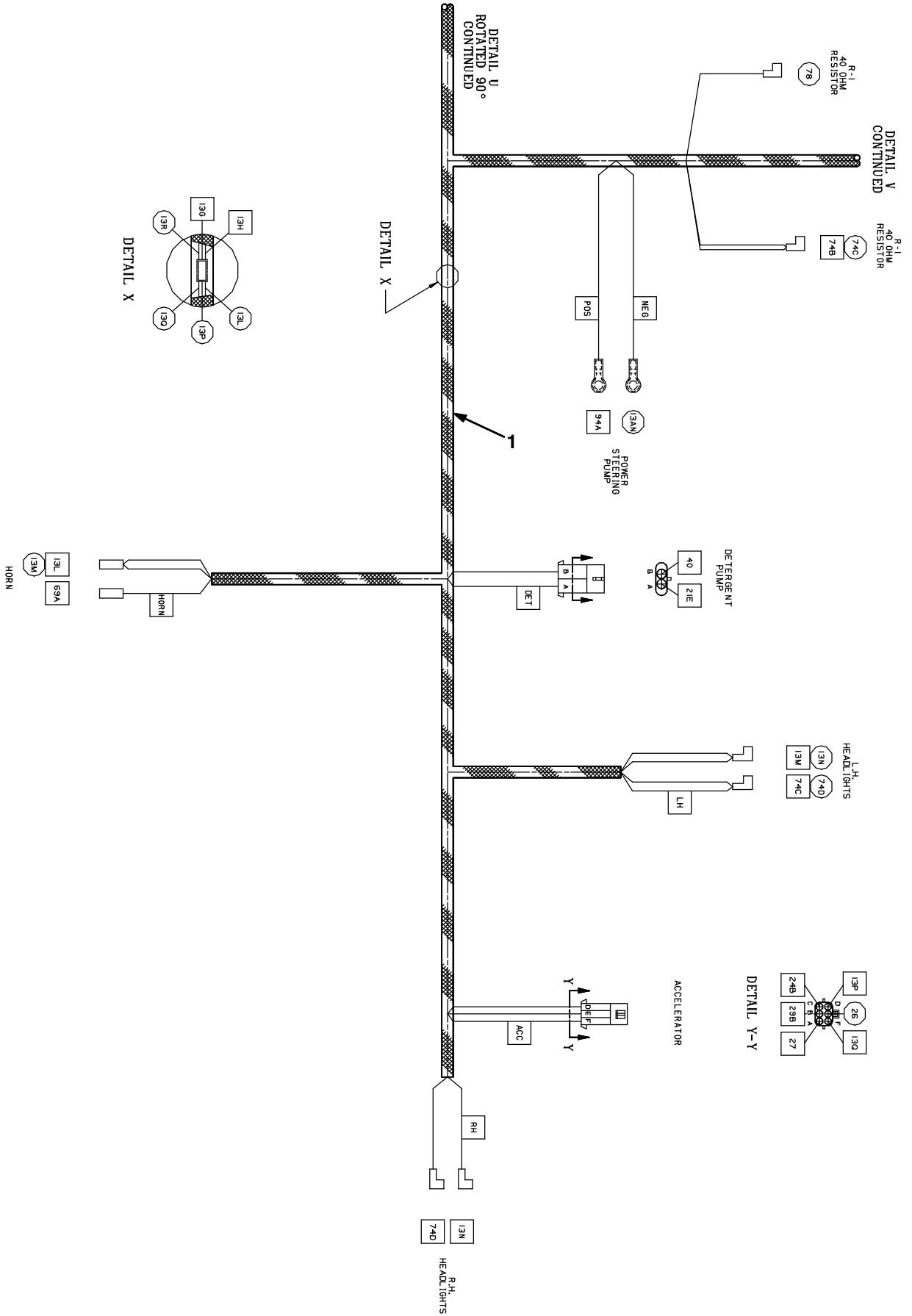




Fig. 45 - Electrical Wire Harness Group, Main

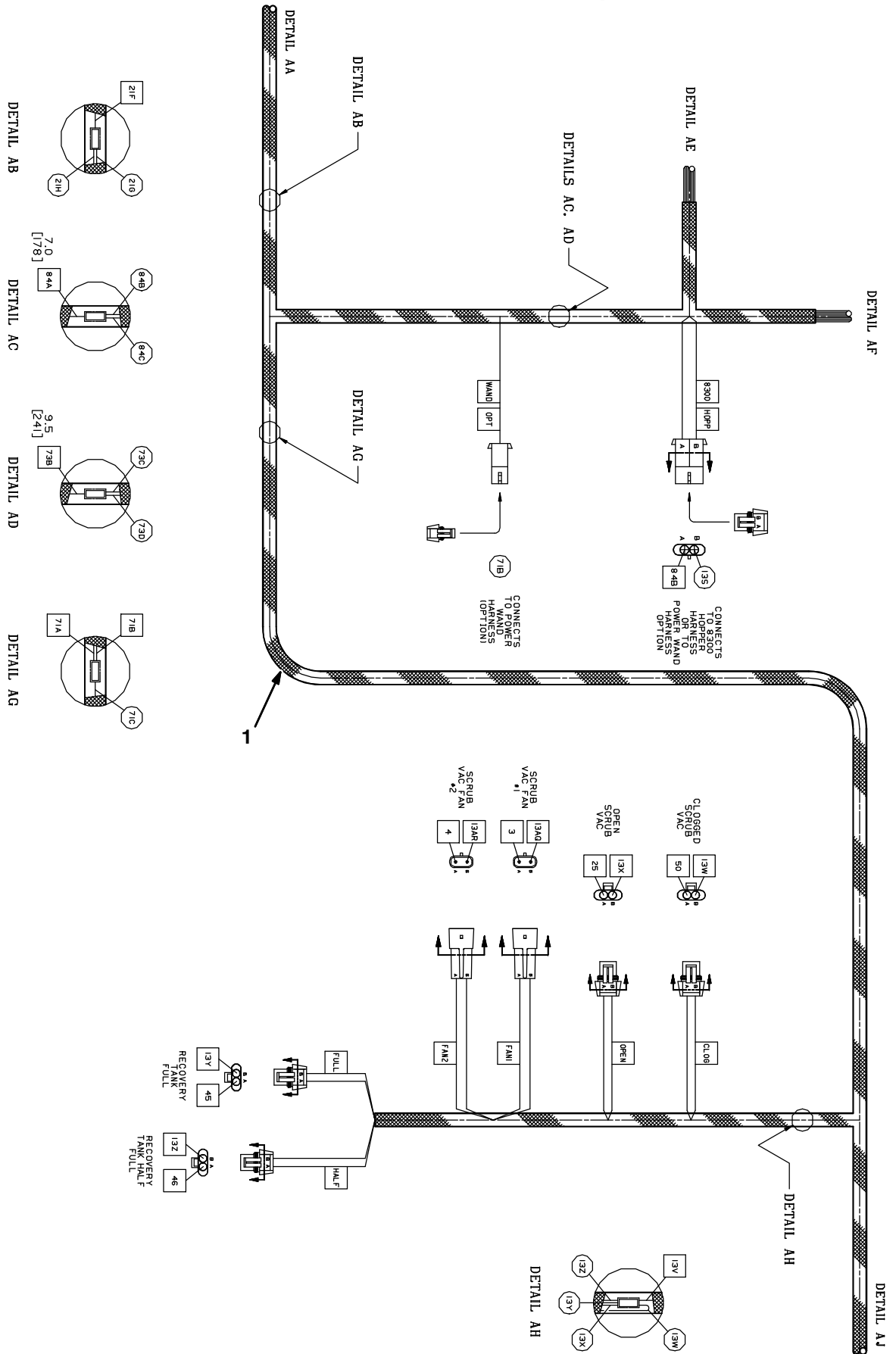


Fig. 45 - Electrical Wire Harness Group, Main

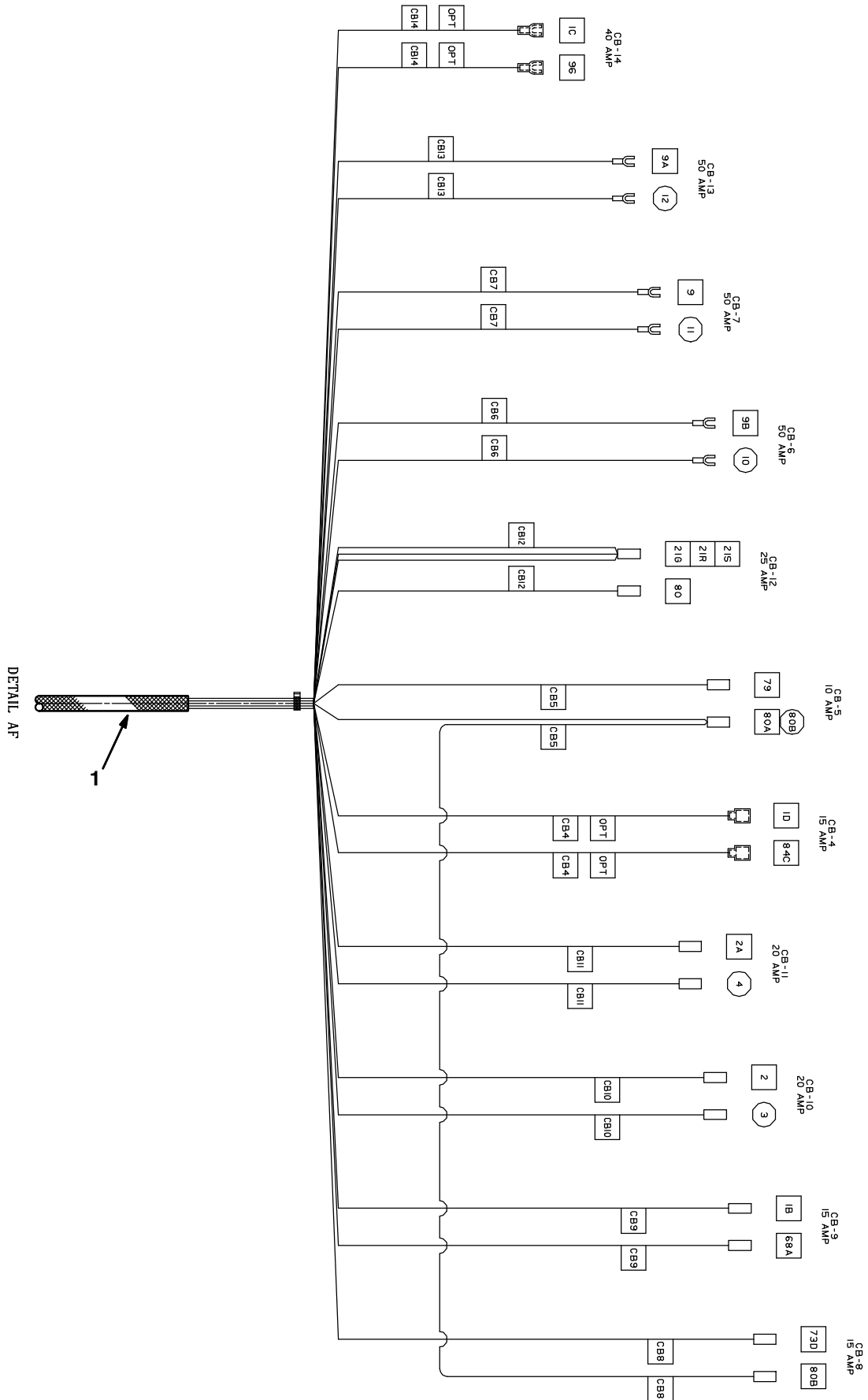




Fig. 45 - Electrical Wire Harness Group, Main

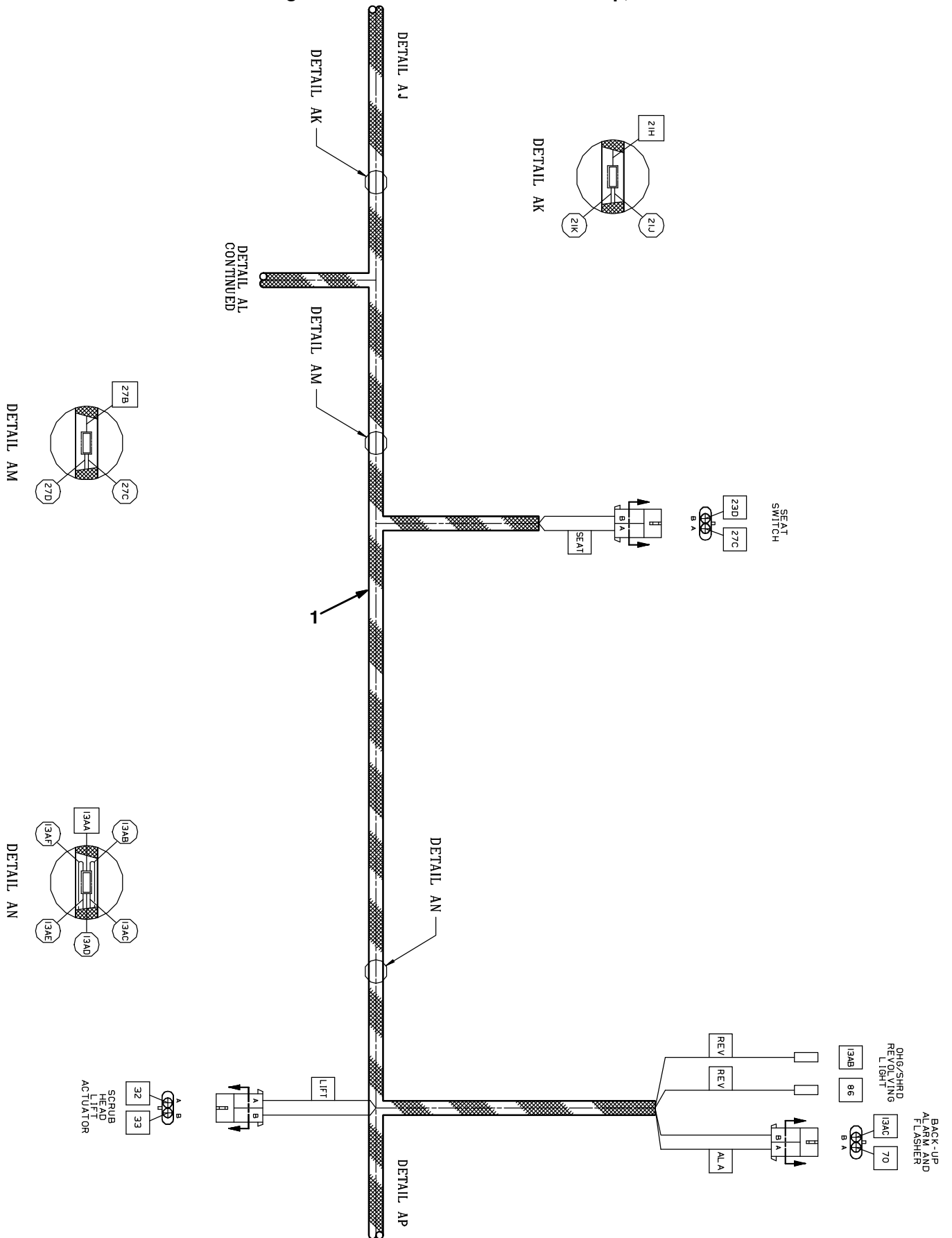


Fig. 45 - Electrical Wire Harness Group, Main

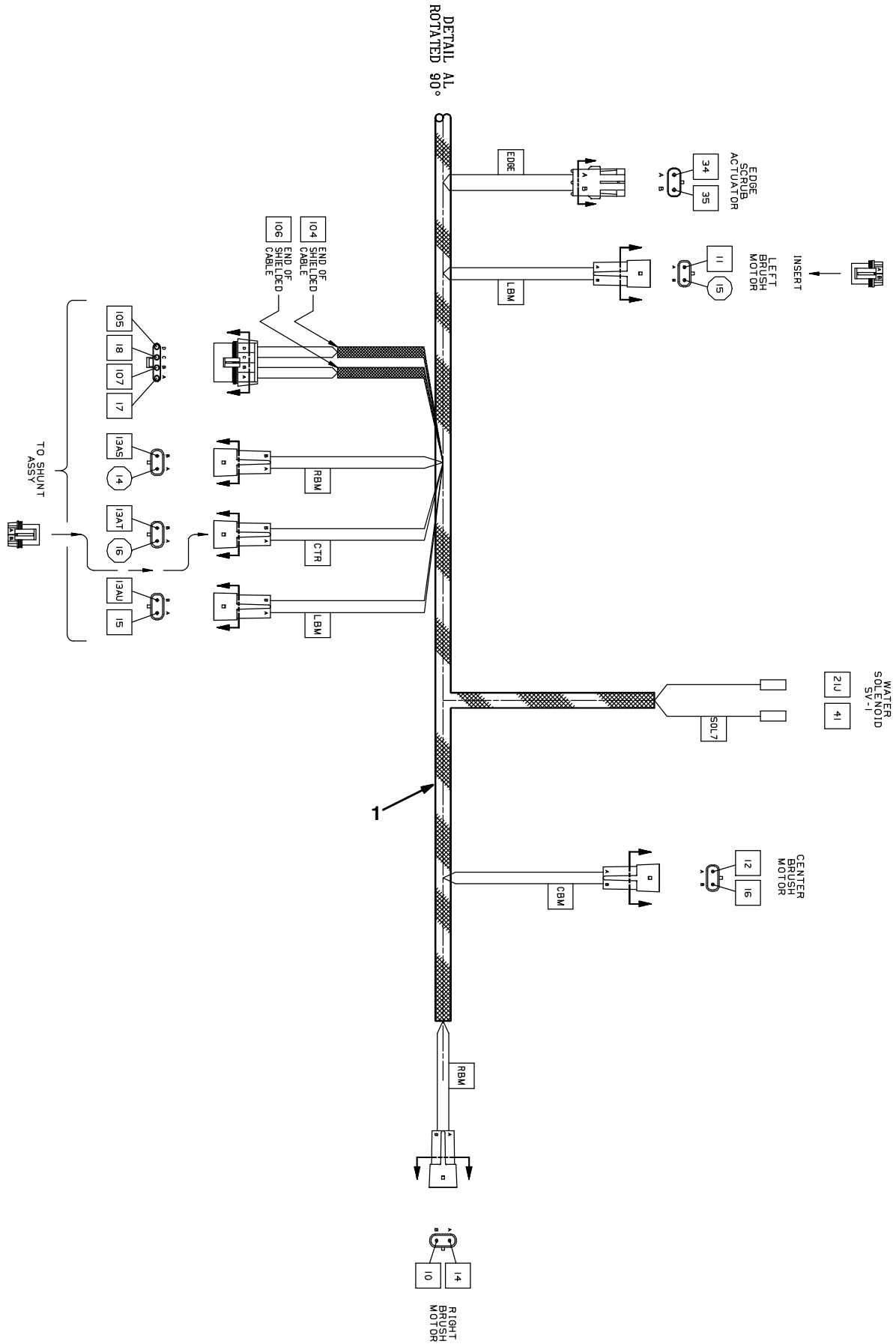
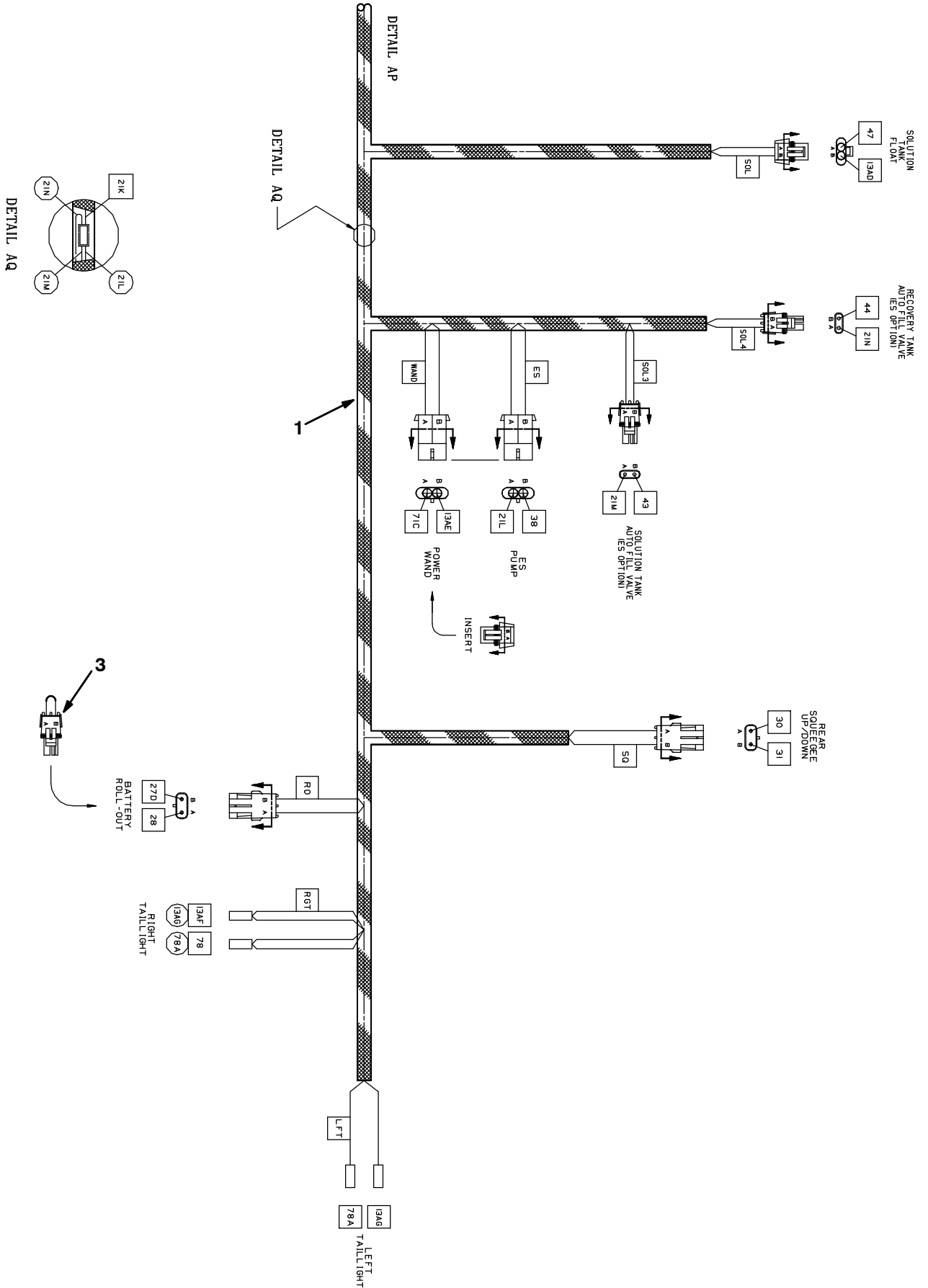
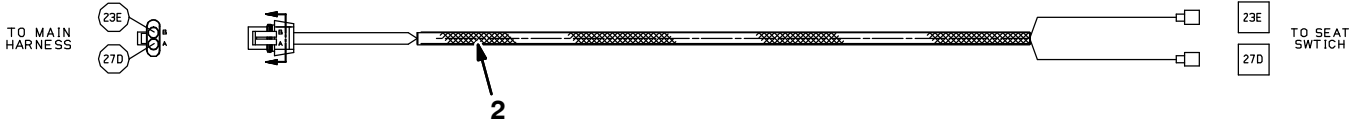


Fig. 45 - Electrical Wire Harness Group, Main

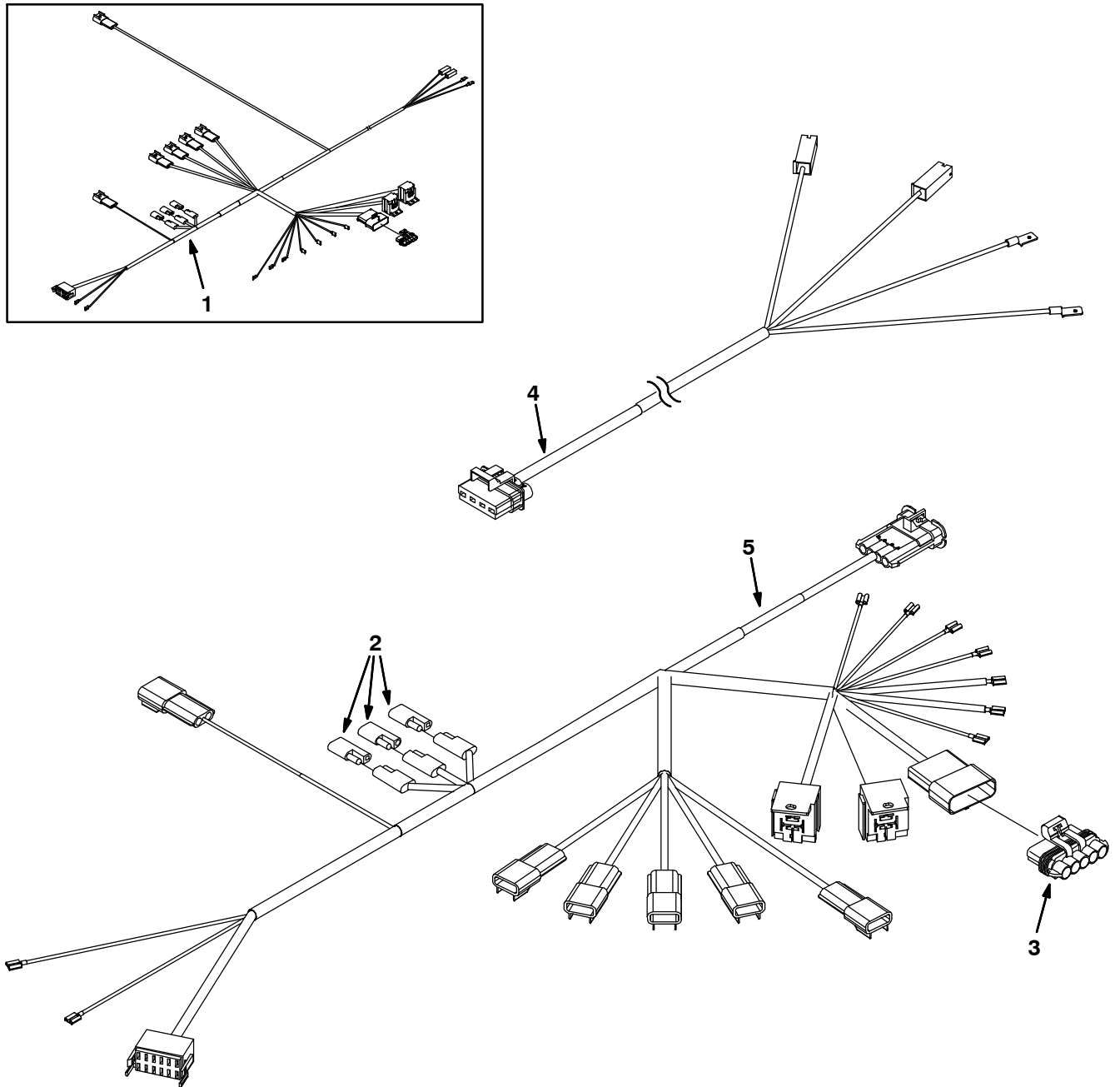


**Fig. 45 - Electrical Wire Harness Group, Main**



Ref.	Tennant Part No.	Machine Serial Number	Description	Qty.
1	386600	(000000-001405 )	Harness, Main, 7300, 8300	1
1	387424	(001406-	) Harness, Main, 7300, 8300	1
2	387302	(000000-	) Harness, Wire, Jumper, Seat Switch	1
3	60278	(000000-	) Harness, Jumper, Arm	2

**Fig. 46 - Electrical Wire Harness Group, FaST (000000-003746)**

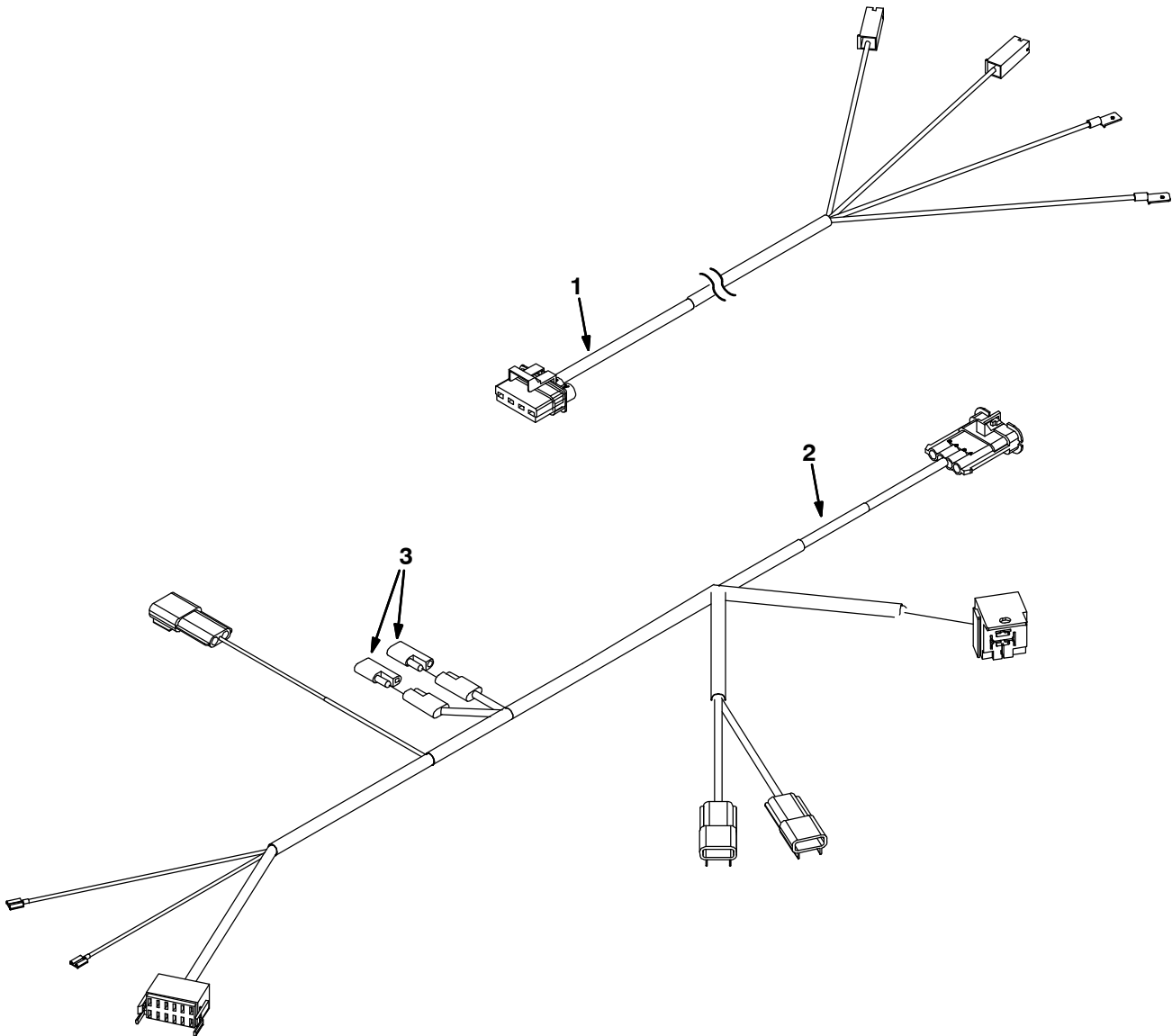


354203 - 7300

Ref.	Tenant Part No.	Machine Serial Number	Description	Qty.
1	1010325	(000000-002252 )	Harness, Fast, 7300/8300	1
2	222290	(000000-003746 )	Diode, Ele, Plug	3
3	1015096	(000000-003746 )	Plug, Resistor	1
4	1017288	(002253-003746 )	Harness, Rear, [ Fast 7300/8300]	1
5	1017289	(002253-003746 )	Harness [Fast 7300/8300]	1

# STANDARD PARTS

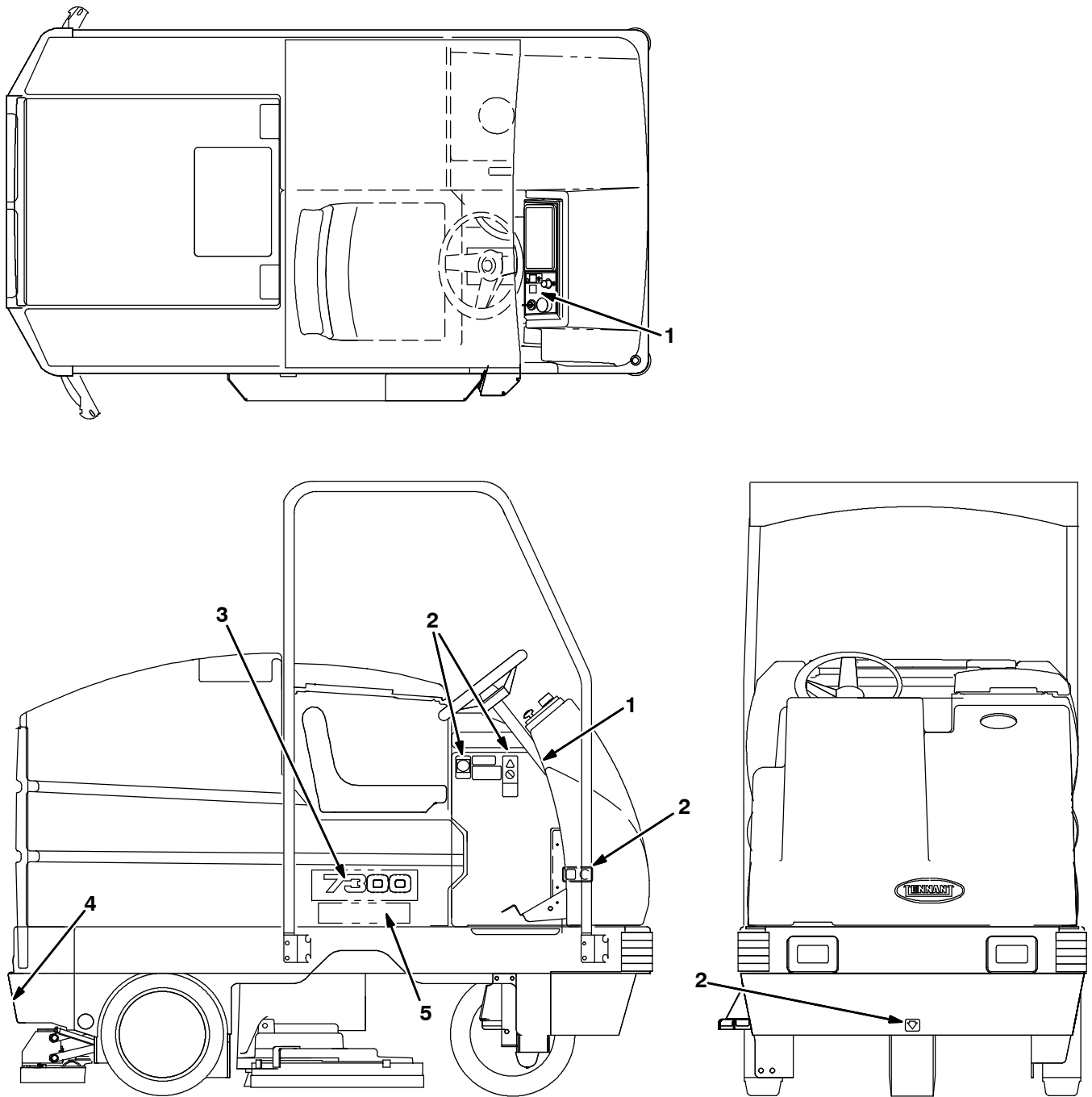
Fig. 47 - Electrical Wire Harness Group, FaST (003747- )



354203 - 7300

Ref.	Tenant Part No.	Machine Serial Number	Description	Qty.
1	1017288	(003747- )	Harness, Rear [FaST 7300/8300]	1
2	1052588	(003747- )	Harness [FaST II+ 7300/8300]	1
3	222290	(003747- )	Diode, Ele, Plug	2

Fig. 48 - Label Group



353345 - 7300, NA

Ref.	Tennant Part No.	Machine Serial Number	Description	Qty.
1	386130	(000000- )	Label Set, Operational, 7300/8300	1
2	387032	(000000- )	Label Set, Info & Hzd	1
3	1059037	(000000- )	Label, Tank, BI-Gr [7300]	2
4	387525	(000000- )	Label, Sqge	1
5	1056944	(000000- )	Label, Tank [ec-H2O]	2
5	1056945	(000000- )	Label, Tank [ES]	2
5	1056947	(000000- )	Label, Logo, BI-Gr [FaST]	2





# SECTION 3

Contents	Page
Fig. 1 - Revolving Light Kit (000000-004999)	3-4
Fig. 2 - Revolving Light Kit (005000- )	3-6
Fig. 3 - Revolving Light Kit, Overhead Guard (000000-004999)	3-8
Fig. 4 - Revolving Light Kit, Overhead Guard (005000- )	3-10
Fig. 5 - Backup Alarm Kit (000000-004999)	3-12
Fig. 6 - Backup Alarm Kit (005000- )	3-14
Fig. 7 - Rear Bumper Kit (000000-004999)	3-16
Fig. 8 - Rear Bumper Kit (005000- )	3-17
Fig. 9 - Overhead Guard Kit (000000-004999)	3-18
Fig. 10 - Overhead Guard Kit (005000- )	3-20
Fig. 11 - Seat Belt Kit	3-22
Fig. 12 - Suspension Seat Kit	3-24
Fig. 13 - Power Steering Group	3-26
Fig. 14 - Power Steering Hydraulic Hose Group	3-28
Fig. 15 - Power Steering Hydraulic Schematic	3-29
Fig. 16 - Right Side Brush Motor And Pivot Group	3-30
Fig. 17 - Right Side Brush Lift Group	3-32
Fig. 18 - Right Side Brush Bumper And Electrical Group	3-34
Fig. 19 - Right Side Brush Wire Harness Group	3-36
Fig. 20 - Left Side Brush Motor And Pivot Group	3-38
Fig. 21 - Left Side Brush Lift Group	3-40
Fig. 22 - Left Side Brush Mount Group	3-42
Fig. 23 - Left Side Brush Wire Harness Group	3-44
Fig. 24 - Max Pro 1200 (Disc-Brush) Scrub Head Frame Group	3-46
Fig. 25 - Max Pro 1200 (Disc-Brush) Scrub Head Linkage Group	3-48
Fig. 26 - Max Pro 1200 (Disc-Brush) Solution Valve Group	3-50
Fig. 27 - Max Pro 1200 (Disc-Brush) Solution Valve Group (FaST/ec-H2O)	3-52
Fig. 28 - Max Pro 1200 (Disc-Brush) Edge Scrub Group	3-54
Fig. 29 - Max Pro 1200 (Disc-Brush) Right Side Squeegee Group	3-56
Fig. 30 - Max Pro 1200 (Disc-Brush) Right Side Vacuumized Squeegee Group	3-58
Fig. 31 - Max Pro 1200 (Disc-Brush) Left Side Squeegee Group	3-60

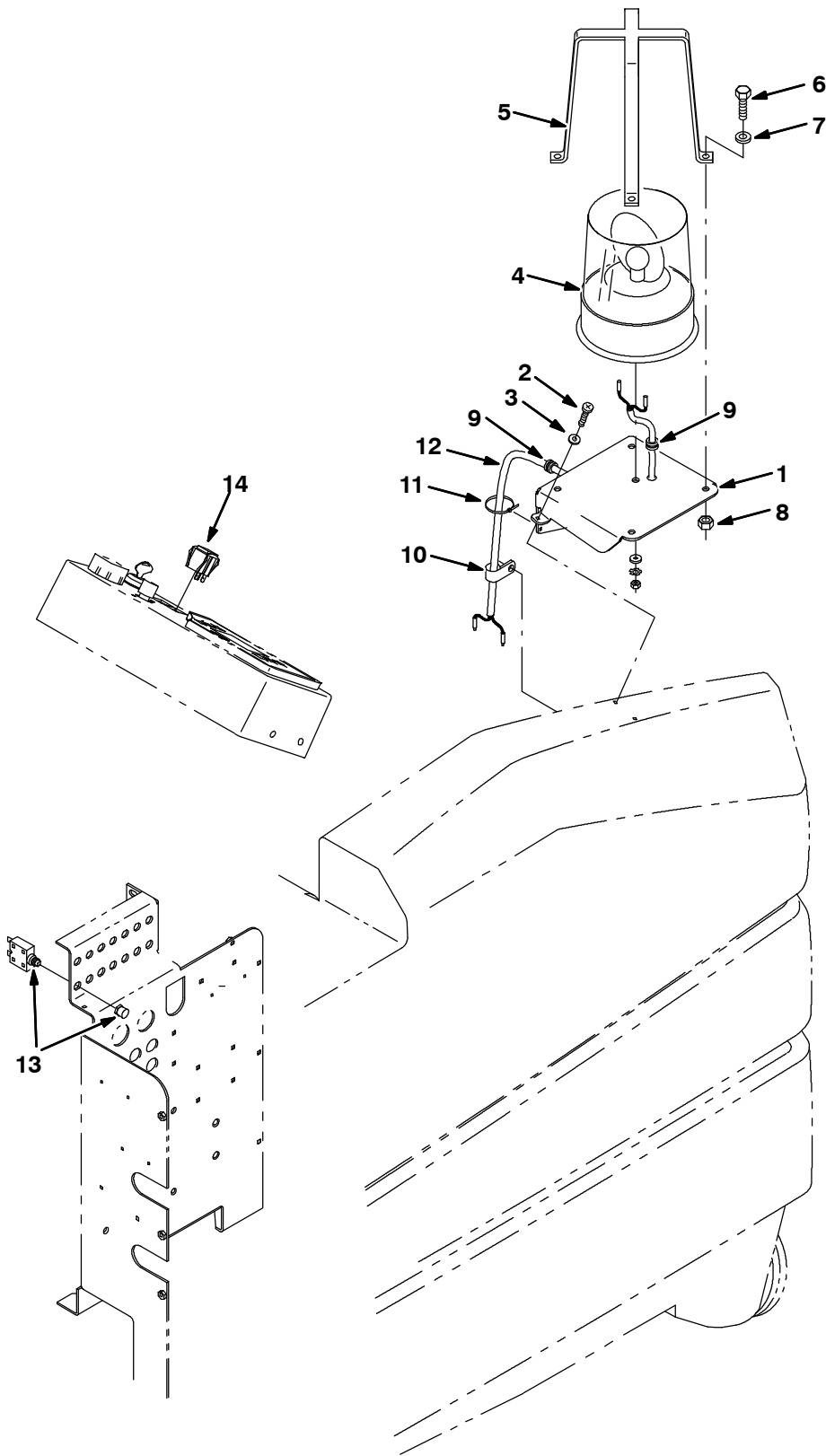
Contents	Page
Fig. 32 - Max Pro 1000 (Cylindrical Brush) Scrub Head Frame and Linkage Group	3-62
Fig. 33 - Max Pro 1000 (Cylindrical Brush) Scrub Head Drive Group	3-64
Fig. 34 - Max Pro 1000 (Cylindrical Brush) Solution Valve Group	3-66
Fig. 35 - Max Pro 1000 (Cylindrical Brush) Solution Valve Group (FaST/ec-H2O)	3-68
Fig. 36 - Max Pro 1000 (Cylindrical Brush) Edge Scrub Group	3-70
Fig. 37 - Max Pro 1000 (Cylindrical Brush) Right Side Squeegee Group	3-72
Fig. 38 - Max Pro 1000 (Cylindrical Brush) Left Side Squeegee Group	3-74
Fig. 39 - Max Pro 1000 (Cylindrical Brush) Debris Tray Group	3-76
Fig. 40 - Max Pro 1000 (Cylindrical Brush) Vacuumized Debris Tray Group	3-78
Fig. 41 - Max Pro 1200 (Cylindrical Brush) Scrub Head Frame and Linkage Group	3-80
Fig. 42 - Max Pro 1200 (Cylindrical Brush) Scrub Head Drive Group	3-82
Fig. 43 - Max Pro 1200 (Cylindrical Brush) Solution Valve Group	3-84
Fig. 44 - Max Pro 1200 (Cylindrical Brush) Solution Valve Group (FaST/ec-H2O)	3-86
Fig. 45 - Max Pro 1200 (Cylindrical Brush) Edge Scrub Group	3-88
Fig. 46 - Max Pro 1200 (Cylindrical Brush) Right Side Squeegee Group	3-90
Fig. 47 - Max Pro 1200 (Cylindrical Brush) Left Side Squeegee Group	3-92
Fig. 48 - Max Pro 1200 (Cylindrical Brush) Debris Tray Group	3-94
Fig. 49 - Max Pro 1200 (Cylindrical Brush) Vacuumized Debris Tray Group	3-96
Fig. 50 - ES Pump Group	3-98
Fig. 51 - ES Tank Goup	3-100
Fig. 52 - ES Drain Assembly	3-102
Fig. 53 - ec-H2O Solution Pump Group	3-104
Fig. 54 - ec-H2O Switch and Label Group	3-106
Fig. 55 - ec-H2O Wire Harnesses Group	3-108
Fig. 56 - ec-H2O Install Kits	3-109
Fig. 57 - Positive Solution Control Drain Kit, Recovery Tank (000000-004999)	3-110
Fig. 58 - Positive Solution Control Drain Kit, Recovery Tank (005000- )	3-112
Fig. 59 - Positive Solution Control Drain Kit, Solution Tank (000000-004999)	3-114
Fig. 60 - Positive Solution Control Drain Kit, Solution Tank (005000- )	3-116

## OPTIONS

Contents	Page
Fig. 61 - Low Water Level Kit . . . . .	3-118
Fig. 62 - Detergent Metering Kit . . . . .	3-120
Fig. 63 - Power Wand Hose Assembly . . .	3-122
Fig. 64 - Power Wand Assembly . . . . .	3-124
Fig. 65 - Power Wand Pump and Fittings Group . . . . .	3-126
Fig. 66 - Power Wand Mount Group . . . . .	3-128
Fig. 67 - Vacuum Wand Kit . . . . .	3-130
Fig. 68 - Max Pro 1200 Rear Squeegee Group (000000-004999) . . . . .	3-132
Fig. 69 - Max Pro 1200 Rear Squeegee Group (005000- ) . . . . .	3-134
Fig. 70 - Max Pro 1200 Rear Squeegee Group for Vacuumized Side Squeegee (000000-004999) . . .	3-136
Fig. 71 - Max Pro 1200 Rear Squeegee Group for Vacuumized Side Squeegee (005000- ) . . . . .	3-138
Fig. 72 - Max Pro 1000 Urethane Squeegee Kit . . . . .	3-140
Fig. 73 - Max Pro 1200 Urethane Squeegee Kit . . . . .	3-141
Fig. 74 - Battery Rollout Kit . . . . .	3-142
Fig. 75 - Battery Forklift Kit . . . . .	3-144
Fig. 76 - Battery Kit, 380AH Wet . . . . .	3-146
Fig. 77 - Battery Kit, 500AH Wet . . . . .	3-148
Fig. 78 - Battery Kit, 600AH (000000-004999) . . . . .	3-150
Fig. 79 - Battery Kit, 600AH (005000- ) . . . . .	3-152
Fig. 80 - Battery Kit, 750AH Wet . . . . .	3-154
Fig. 81 - Battery Tray Group . . . . .	3-156
Fig. 82 - Battery Charger Group, 75A, 36V, 60Hz 1PH (380Ah Batteries) . . . . .	3-157
Fig. 83 - Battery Charger Group, 75A, 36V, 60Hz 3Ph (380Ah Batteries) . . . . .	3-158
Fig. 84 - Battery Charger Group, 120A, 36V, 60Hz 1Ph (500Ah Batteries)	3-159
Fig. 85 - Battery Charger Group, 120A, 36V, 60Hz 3Ph (500Ah Batteries)	3-160
Fig. 86 - Battery Charger Group, 150A, 36V, 60Hz (750Ah Batteries) . . .	3-161
Fig. 87 - Battery Charger Group, 93A, 36V, 60Hz 1Ph (600Ah Batteries) . . .	3-162
Fig. 88 - Battery Charger Group, 93A, 36V, 60Hz 3Ph (600Ah Batteries) . . .	3-163
Fig. 89 - Fire Extinguisher Kit . . . . .	3-164
Fig. 90 - Documentation Group . . . . .	3-165



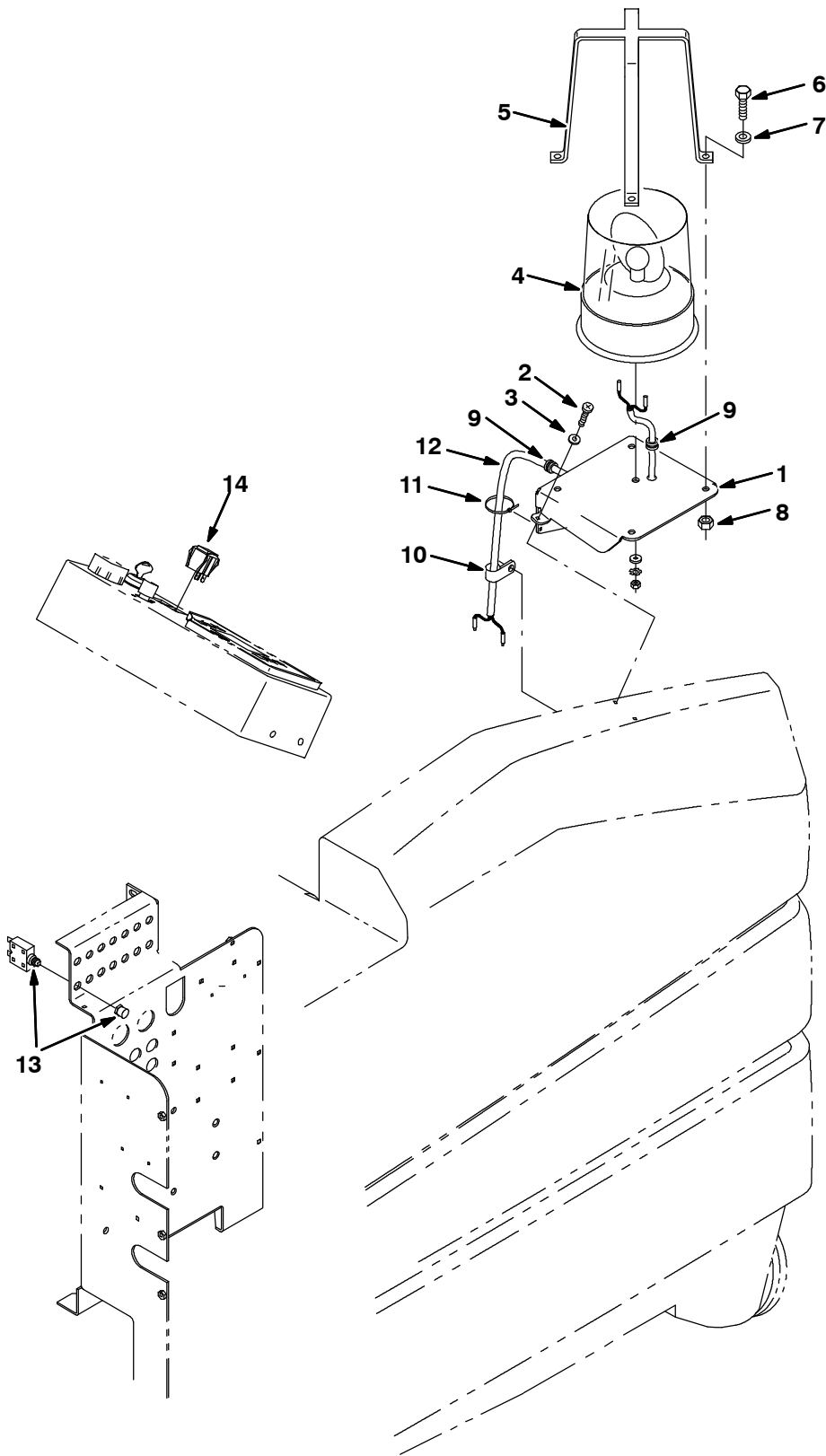
Fig. 1 - Revolving Light Kit (000000-004999)



**Fig. 1 - Revolving Light Kit (000000-004999)**

	<b>Ref.</b>	<b>Tennant Part No.</b>	<b>Machine Serial Number</b>	<b>Description</b>	<b>Qty.</b>
▽		387301	(000000-004999 )	Kit, Cl, Light, Revl W/O OHG	1
▲	1	387157	(000000-004999 )	Bracket, Mtg	1
▲	2	360943	(000000-004999 )	Screw, Pan, #10-14 X 0.75, F/Plstc	5
▲	3	19066	(000000-004999 )	Washer, Flt, #10	4
▲▽	4	87709	(000000-004999 )	Light, Revl, 36vdc, Amb, Rework 44684	1
▲▲		44681-1	(000000-004999 )	Lens, Amber, Light, Revl	1
▲▲		45283	(000000-004999 )	Lamp, 40vdc, 0.9a, [50cp#1062]	1
▲	5	45272	(000000-004999 )	Guard Wldt, Light, Revl/Fish	1
▲	6	39277	(000000-004999 )	Screw, Hex, M08 X 1.25 X 25, 8.8	4
▲	7	39349	(000000-004999 )	Washer, Flt, .31 Sae	4
▲	8	07791	(000000-004999 )	Nut, Hex, Flng, M08 X 1.25	4
▲	9	10632-12	(000000-004999 )	Grommet, Rbr, 0.38id, F/ 0.5h, .12matl	2
▲	10	26395-2	(000000-004999 )	Clamp, Cable, Stl, 0.38d X 0.38w, 1h	1
▲	11	49266	(000000-004999 )	Tie, Cable, Nyl, 07.3l .19w 1.8 Max D	1
▲	12	386609	(000000-004999 )	Harness, Light, Revl, Shrd	1
▲	13	383722	(000000-004999 )	Circuitbreaker, 15.0 A	1
▲	14	360520	(000000-004999 )	Switch, Rocker	1
		44681	(000000-004999 )	Lens, Rev. Light, Red	1
		44681-2	(000000-004999 )	Lens, Rev. Light, Blue	1

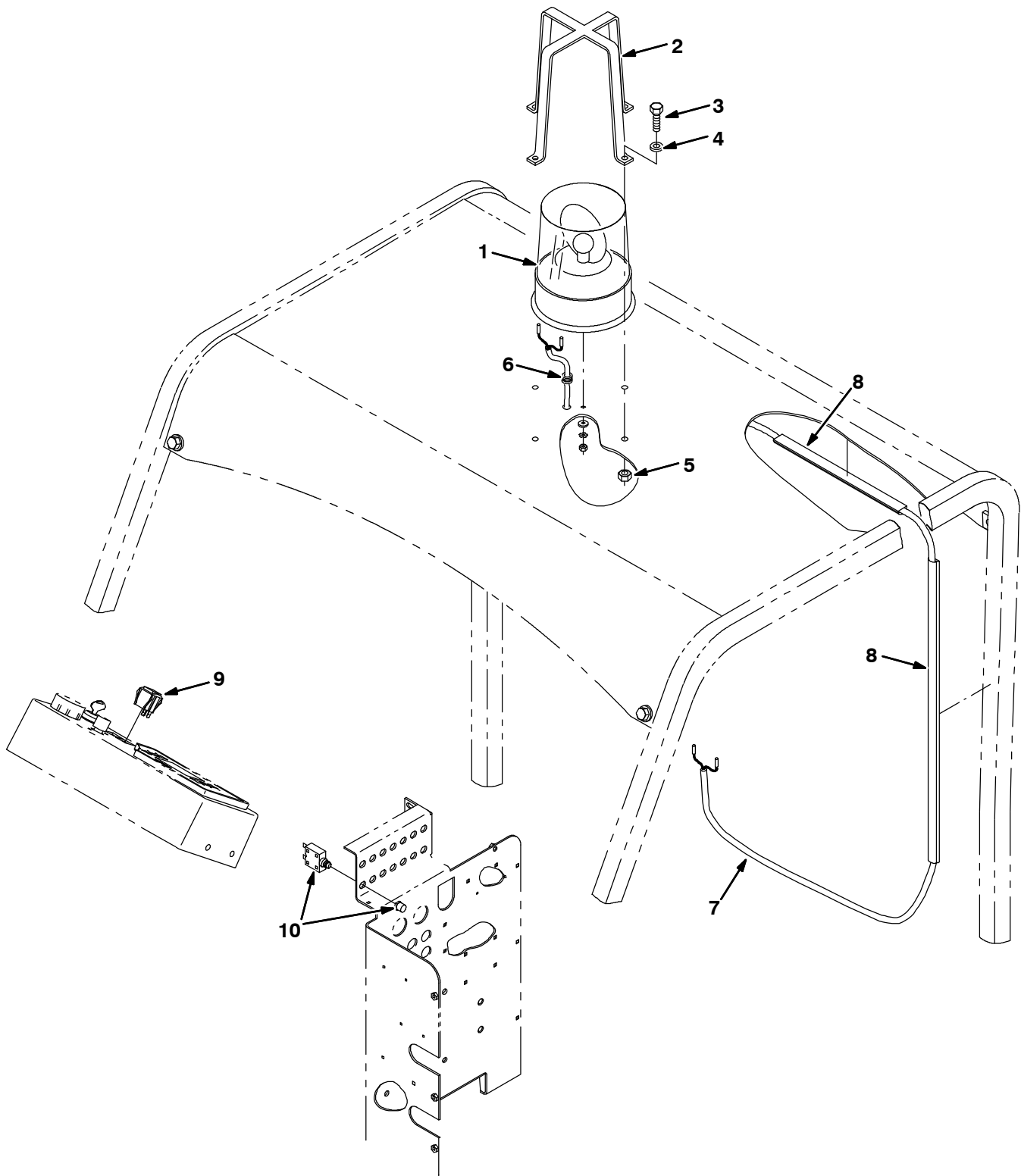
Fig. 2 - Revolving Light Kit (005000- )



**Fig. 2 - Revolving Light Kit (005000- )**

	<b>Ref.</b>	<b>Tennant Part No.</b>	<b>Machine Serial Number</b>	<b>Description</b>	<b>Qty.</b>
▽		9006949	(005000-	) Light Kit, Revl, W/O Ohg, Iron Gray, Ci	1
▲	1	1057069	(005000-	) Bracket, Mtg, Iron Gray	1
▲	2	360943	(005000-	) Screw, Pan, #10-14 X 0.75, F/Plstc	5
▲	3	19066	(005000-	) Washer, Flt, #10	4
▲▽	4	87709	(005000-	) Light, Revl, 36vdc, Amb, Rework 44684	1
▲▲		44681-1	(005000-	) Lens, Amber, Light, Revl	1
▲▲		45283	(005000-	) Lamp, 40vdc, 0.9a, [50cp#1062]	1
▲	5	1056464	(005000-	) Guard Wldt, Light, Revl/Flsh, Iron Gray	1
▲	6	39277	(005000-	) Screw, Hex, M08 X 1.25 X 25, 8.8	4
▲	7	39349	(005000-	) Washer, Flt, .31 Sae	4
▲	8	07791	(005000-	) Nut, Hex, Flng, M08 X 1.25	4
▲	9	10632-12	(005000-	) Grommet, Rbr, 0.38id, F/ 0.5h, .12matl	2
▲	10	26395-2	(005000-	) Clamp, Cable, Stl, 0.38d X 0.38w, 1h	1
▲	11	49266	(005000-	) Tie, Cable, Nyl, 07.3l .19w 1.8 Max D	1
▲	12	386609	(005000-	) Harness, Light, Revl, Shrd	1
▲	13	383722	(005000-	) Circuitbreaker, 15.0 A	1
▲	14	360520	(005000-	) Switch, Rocker	1
		44681	(005000-	) Lens, Rev. Light, Red	1
		44681-2	(005000-	) Lens, Rev. Light, Blue	1

Fig. 3 - Revolving Light Kit, Overhead Guard (000000-0049999)

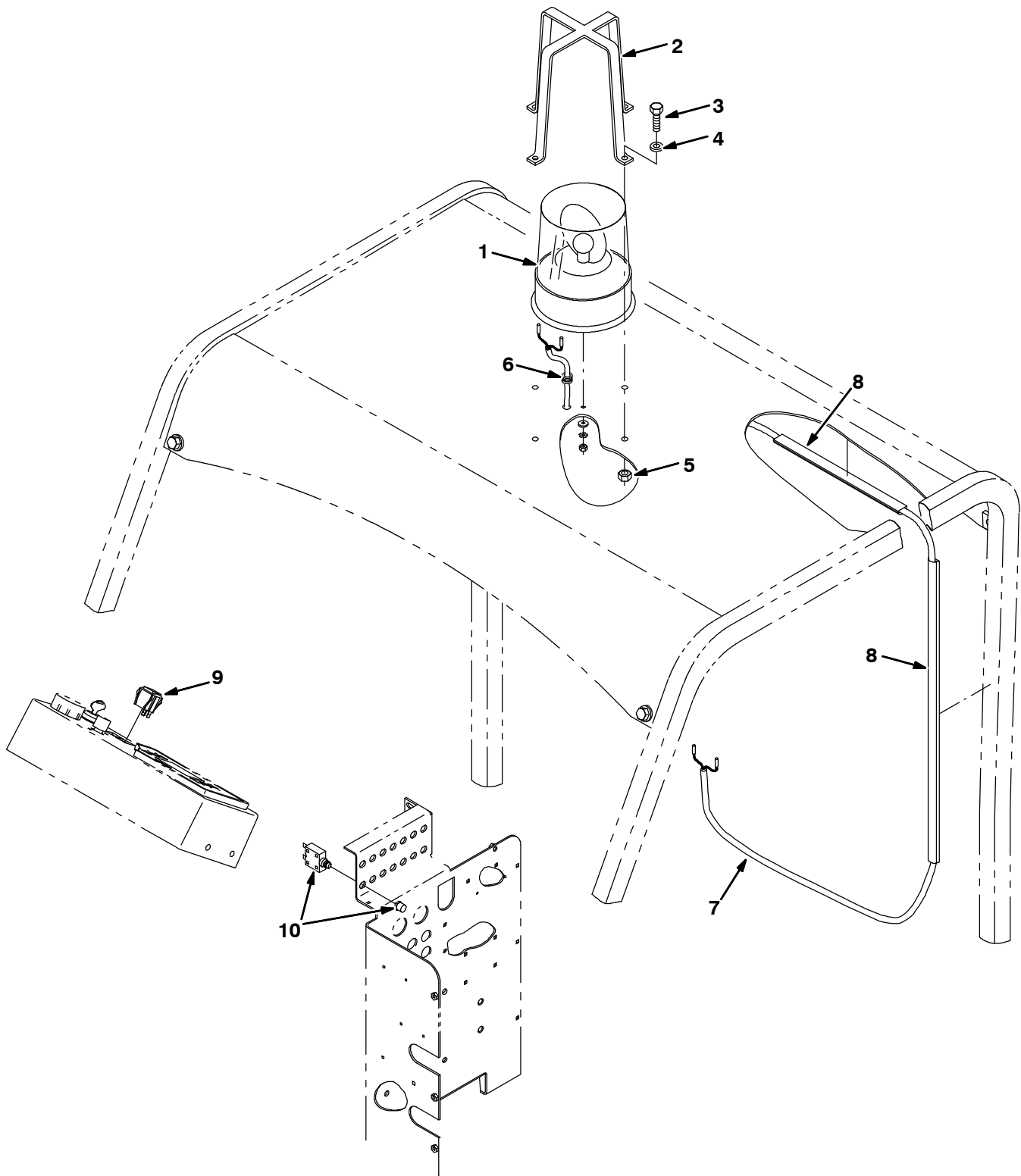




**Fig. 3 - Revolving Light Kit, Overhead Guard (000000-004999)**

	<b>Ref.</b>	<b>Tennant Part No.</b>	<b>Machine Serial Number</b>	<b>Description</b>	<b>Qty.</b>
▽		387300	(000000-004999 )	Light Kit, Revl, W/ Ohg, Ci [7300/8300]	1
▲▽	1	87709	(000000-004999 )	Light, Revl, 36vdc, Amb, Rework 44684	1
▲▲		44681-1	(000000-004999 )	Lens, Amber, Light, Revl	1
▲▲		45283	(000000-004999 )	Lamp, 40vdc, 0.9a, [50cp#1062]	1
▲	2	45272	(000000-004999 )	Guard Wldt, Light, Revl/Flsh	1
▲	3	39277	(000000-004999 )	Screw, Hex, M08 X 1.25 X 25, 8.8	4
▲	4	39349	(000000-004999 )	Washer, Flt, .31 Sae	4
▲	5	07791	(000000-004999 )	Nut, Hex, Flng, M08 X 1.25	4
▲	6	10632-12	(000000-004999 )	Grommet, Rbr, 0.38id, F/ 0.5h, .12matl	1
▲	7	386605	(000000-004999 )	Harness, Warning Light, Alarm	1
▲	8	1064050	(000000-004999 )	Duct, Afmkt, Vyl, 0.40 X 0.75 .25D, 04Ft	2
▲	9	360520	(000000-004999 )	Switch, Rocker	1
▲	10	383722	(000000-004999 )	Circuitbreaker, 15.0 A	1
		44681	(000000-004999 )	Lens, Rev. Light, Red	1
		44681-2	(000000-004999 )	Lens, Rev. Light, Blue	1

Fig. 4 - Revolving Light Kit, Overhead Guard (005000- )



**Fig. 4 - Revolving Light Kit, Overhead Guard (005000- )**

	<b>Ref.</b>	<b>Tennant Part No.</b>	<b>Machine Serial Number</b>	<b>Description</b>	<b>Qty.</b>
▽		9006948	(005000-	) Kit, Cl, Light, Revl W/ Ohg	1
▲▽	1	87709	(005000-	) Light, Revl, 36vdc, Amb, Rework 44684	1
▲▲		44681-1	(005000-	) Lens, Amber, Light, Revl	1
▲▲		45283	(005000-	) Lamp, 40vdc, 0.9a, [50cp#1062]	1
▲	2	1056464	(005000-	) Guard Wldt, Light, Revl/Flsh	1
▲	3	39277	(005000-	) Screw, Hex, M08 X 1.25 X 25, 8.8	4
▲	4	39349	(005000-	) Washer, Flt, .31 Sae	4
▲	5	07791	(005000-	) Nut, Hex, Flng, M08 X 1.25	4
▲	6	10632-12	(005000-	) Grommet, Rbr, 0.38id, F/ 0.5h, .12matl	1
▲	7	386605	(005000-	) Harness, Warning Light, Alarm	1
▲	8	1064050	(005000-	) Duct, Afmkt, Vyl, 0.40 X 0.75 .25D, 04Ft	2
▲	9	360520	(005000-	) Switch, Rocker	1
▲	10	383722	(005000-	) Circuitbreaker, 15.0 A	1
		44681	(005000-	) Lens, Rev. Light, Red	1
		44681-2	(005000-	) Lens, Rev. Light, Blue	1

**Fig. 5 - Backup Alarm Kit (000000-004999)**

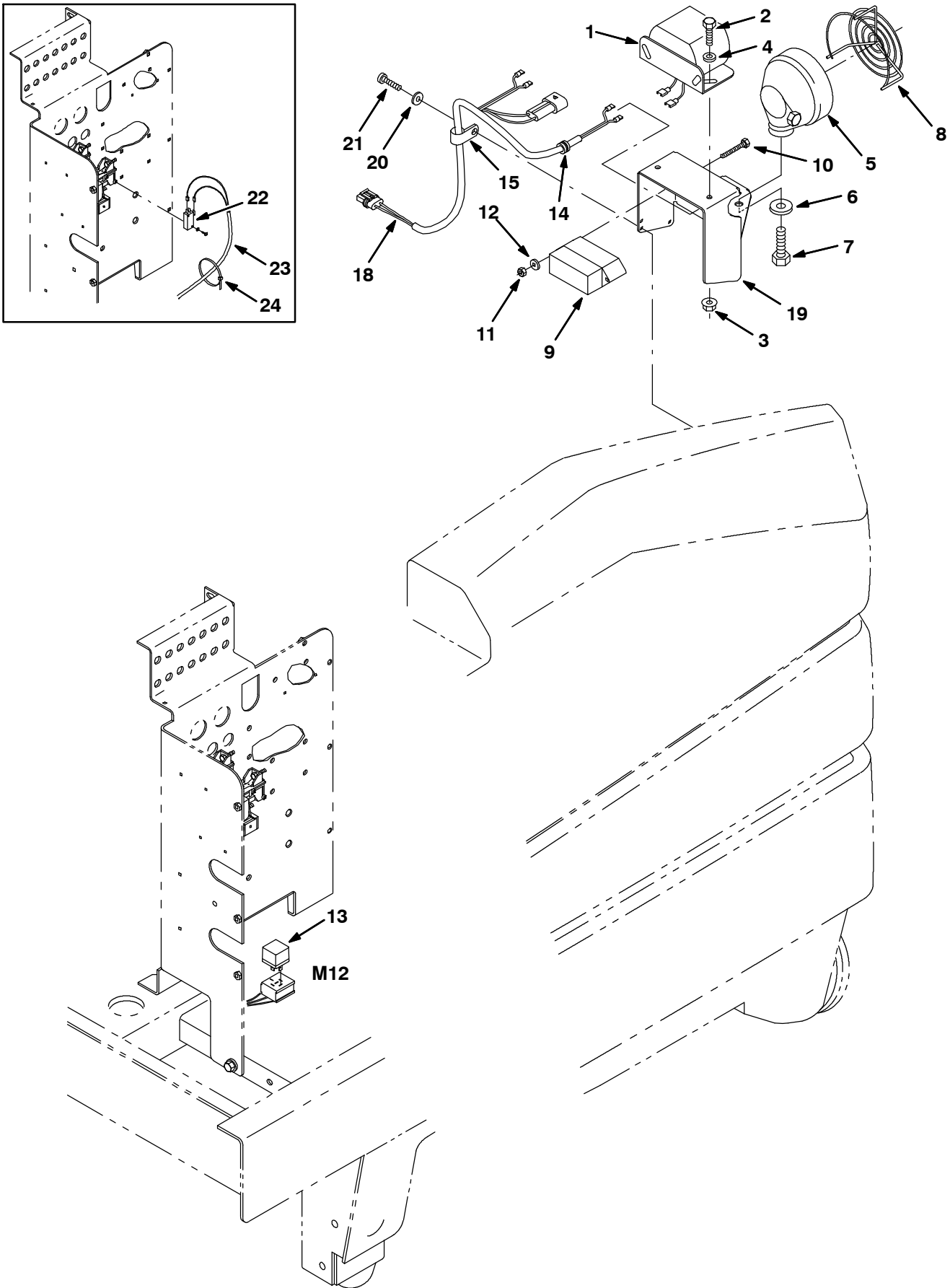


Fig. 5 - Backup Alarm Kit (000000-004999)

Ref.	Tennant Part No.	Machine Serial Number	Description	Qty.
▽	387208	(000000-004999 )	Kit, Cl, Alarm, Backup, 36Vdc	1
▲	1 9007131	(000000-004999 )	Alarm Assy, Backup, 12/48Vdc	1
▲	2 06943	(000000-004999 )	Screw, Hex, M06 X 1.0 X 20, 8.8	2
▲	3 07790	(000000-004999 )	Nut, Hex, Flng, M06 X 1.0	2
▲	4 19066	(000000-004999 )	Washer, Flt, #10	2
▲▽	5 72172	(000000-004999 )	Light, Spot, 36vdc, 60w Rework 72173	1
▲▲	45391	(000000-004999 )	Headlight, 36Vdc, 60 Watt 1.7A	1
▲	6 32486	(000000-004999 )	Washer, Flt, .50 Sae	1
▲	7 39807	(000000-004999 )	Screw, Hex, .50-13 X 0.75, 5	1
▲	8 72174	(000000-004999 )	Guard, Light	1
▲	9 72164	(000000-004999 )	Flasher, 12/48vdc 5a #6309/12-48vdc	1
▲	10 06949	(000000-004999 )	Screw, Hex, M06 X 1.0 X 50, 8.8	2
▲	11 08708	(000000-004999 )	Nut, Hex, Lock, M06 X 1.0, NI	2
▲	12 32483	(000000-004999 )	Washer, Flt, .25 Sae	2
▲	13 398526	(000000-004999 )	Relay, 36vdc, 5a, Spdt, [Greenwich]	1
▲	14 10632-12	(000000-004999 )	Grommet, Rbr, 0.38id, F/ 0.5h, .12matl	1
▲	15 26395-2	(000000-004999 )	Clamp, Cable, Stl, 0.38d X 0.38w, 1h	1
▲	16 32980	(000000-004999 )	Washer, Lock, Int, #10	2
▲	17 38622	(000000-004999 )	Spring	1
▲	18 386606	(000000-004999 )	Harness, Backup Alarm, Shrd	1
▲	19 387158	(000000-004999 )	Bracket, Mtg	1
▲	20 19066	(000000-004999 )	Washer, Flt, #10	5
▲	21 360943	(000000-004999 )	Screw, Pan, #10-14 X 0.75, F/Plstc	6
▲	22 28622	(000000-001705 )	Kit, Switch, Micro	1
▲	23 387344	(000000-001705 )	Harness, Wire, Jumper, Reverse Switch	1
▲	24 49266	(000000-001705 )	Tie, Cable, Nyl, 07.3l .19w 1.8 Max D	4

Fig. 6 - Backup Alarm Kit (005000- )

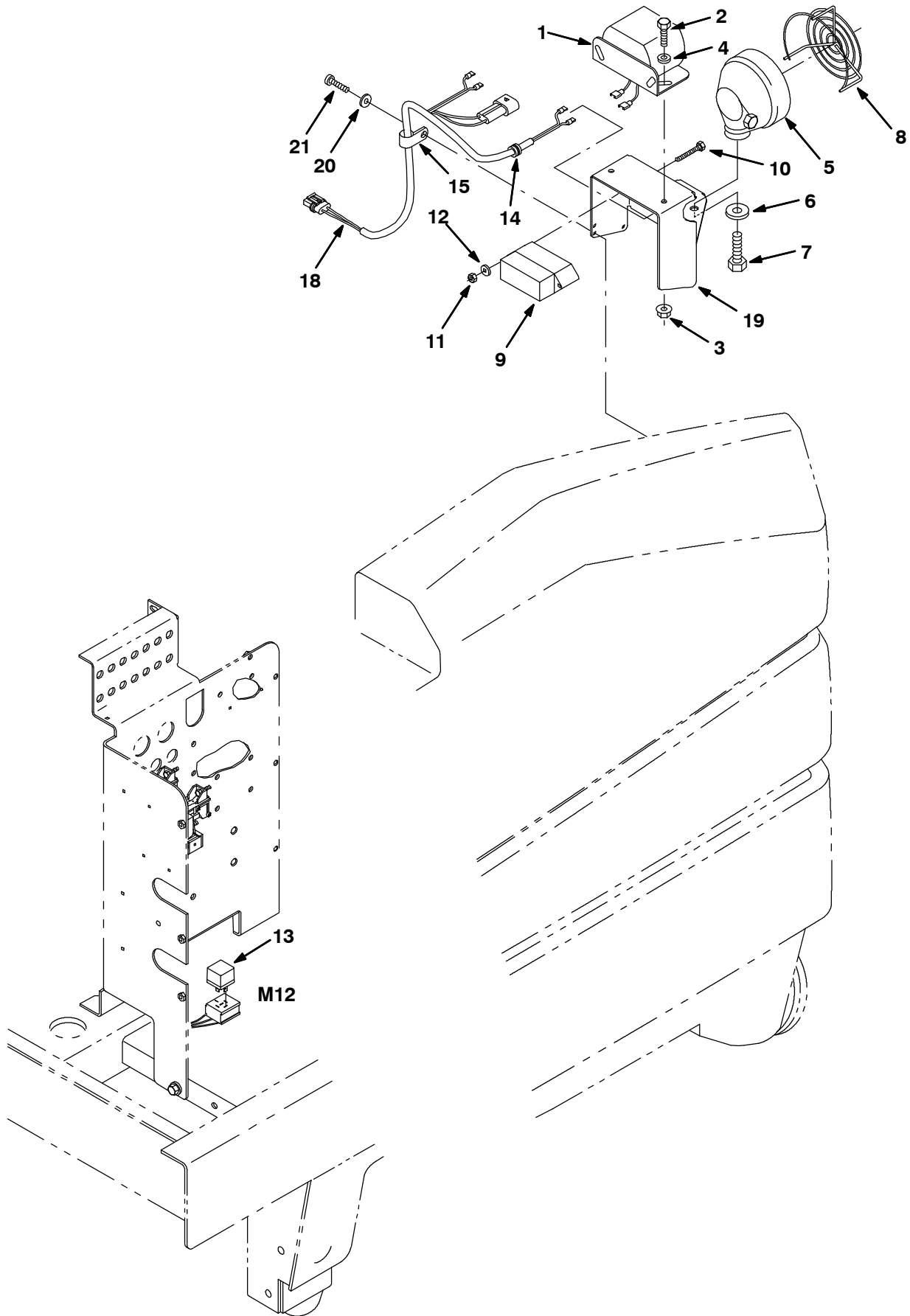
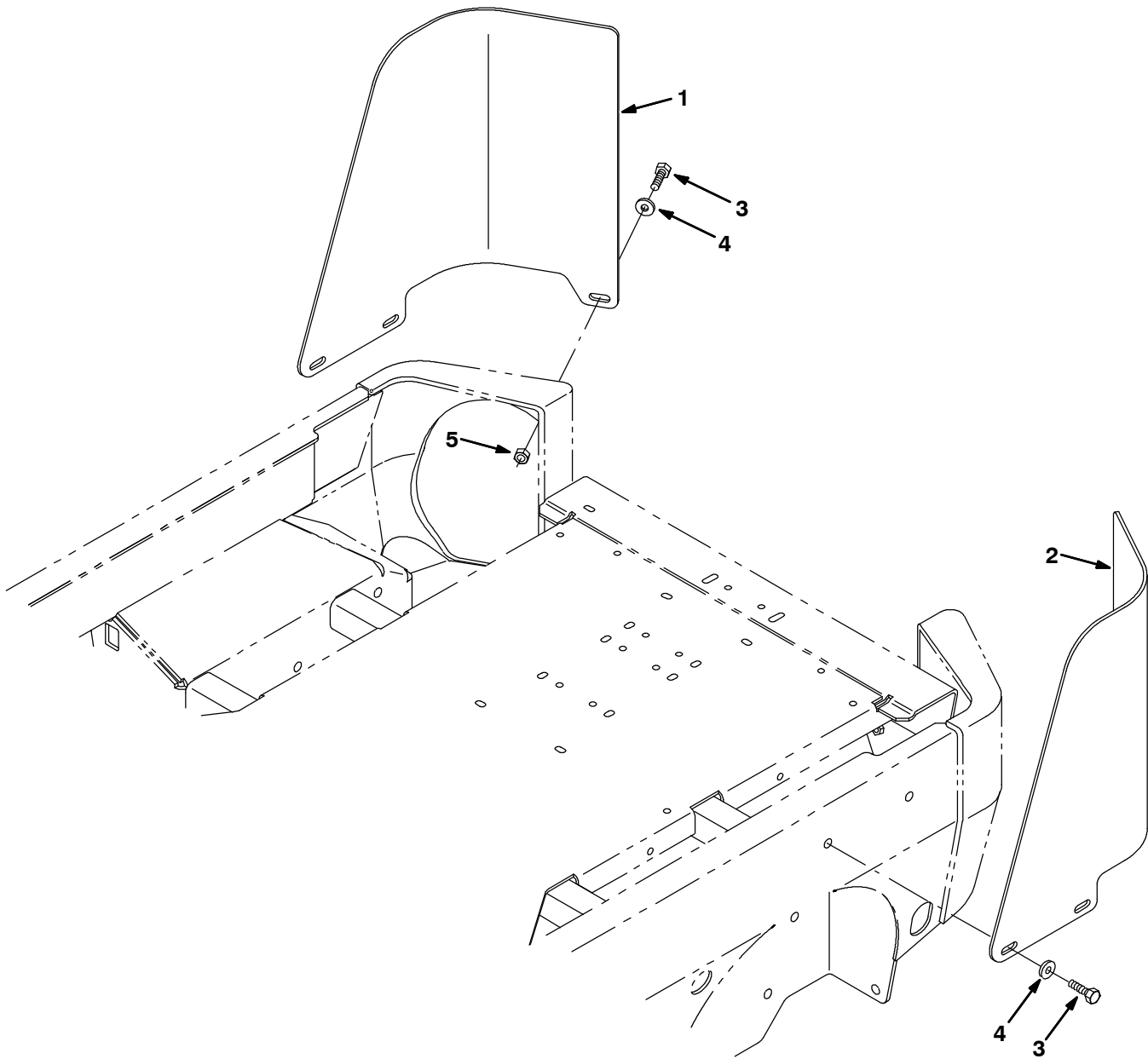


Fig. 6 - Backup Alarm Kit (005000- )

Ref.	Tennant Part No.	Machine Serial Number	Description	Qty.
▽	9006947	(005000-	) Alarm Kit, Backup / A/V, Iron Gray, Ci	1
▲	1 9007131	(005000-	) Alarm Assy, Backup, 12/48Vdc	1
▲	2 06943	(005000-	) Screw, Hex, M06 X 1.0 X 20, 8.8	2
▲	3 07790	(005000-	) Nut, Hex, Flng, M06 X 1.0	2
▲	4 19066	(005000-	) Washer, Flt, #10	2
▲▽	5 72172	(005000-	) Light, Spot, 36vdc, 60w Rework 72173	1
▲▲	45391	(005000-	) Headlight, 36Vdc, 60 Watt 1.7A	1
▲	6 32486	(005000-	) Washer, Flt, .50 Sae	1
▲	7 39807	(005000-	) Screw, Hex, .50-13 X 0.75, 5	1
▲	8 72174	(005000-	) Guard, Light	1
▲	9 72164	(005000-	) Flasher, 12/48vdc 5a #6309/12-48vdc	1
▲	10 06949	(005000-	) Screw, Hex, M06 X 1.0 X 50, 8.8	2
▲	11 08708	(005000-	) Nut, Hex, Lock, M06 X 1.0, NI	2
▲	12 32483	(005000-	) Washer, Flt, .25 Sae	2
▲	13 398526	(005000-	) Relay, 36vdc, 5a, Spdt, [Greenwich]	1
▲	14 10632-12	(005000-	) Grommet, Rbr, 0.38id, F/ 0.5h, .12matl	1
▲	15 26395-2	(005000-	) Clamp, Cable, Stl, 0.38d X 0.38w, 1h	1
▲	16 32980	(005000-	) Washer, Lock, Int, #10	2
▲	17 38622	(005000-	) Spring	1
▲	18 386606	(005000-	) Harness, Backup Alarm, Shrd	1
▲	19 1056480	(005000-	) Bracket, Mtg, Iron Gray	1
▲	20 19066	(005000-	) Washer, Flt, #10	5
▲	21 360943	(005000-	) Screw, Pan, #10-14 X 0.75, F/Plstc	6

**Fig. 7 - Rear Bumper Kit (000000-004999)**

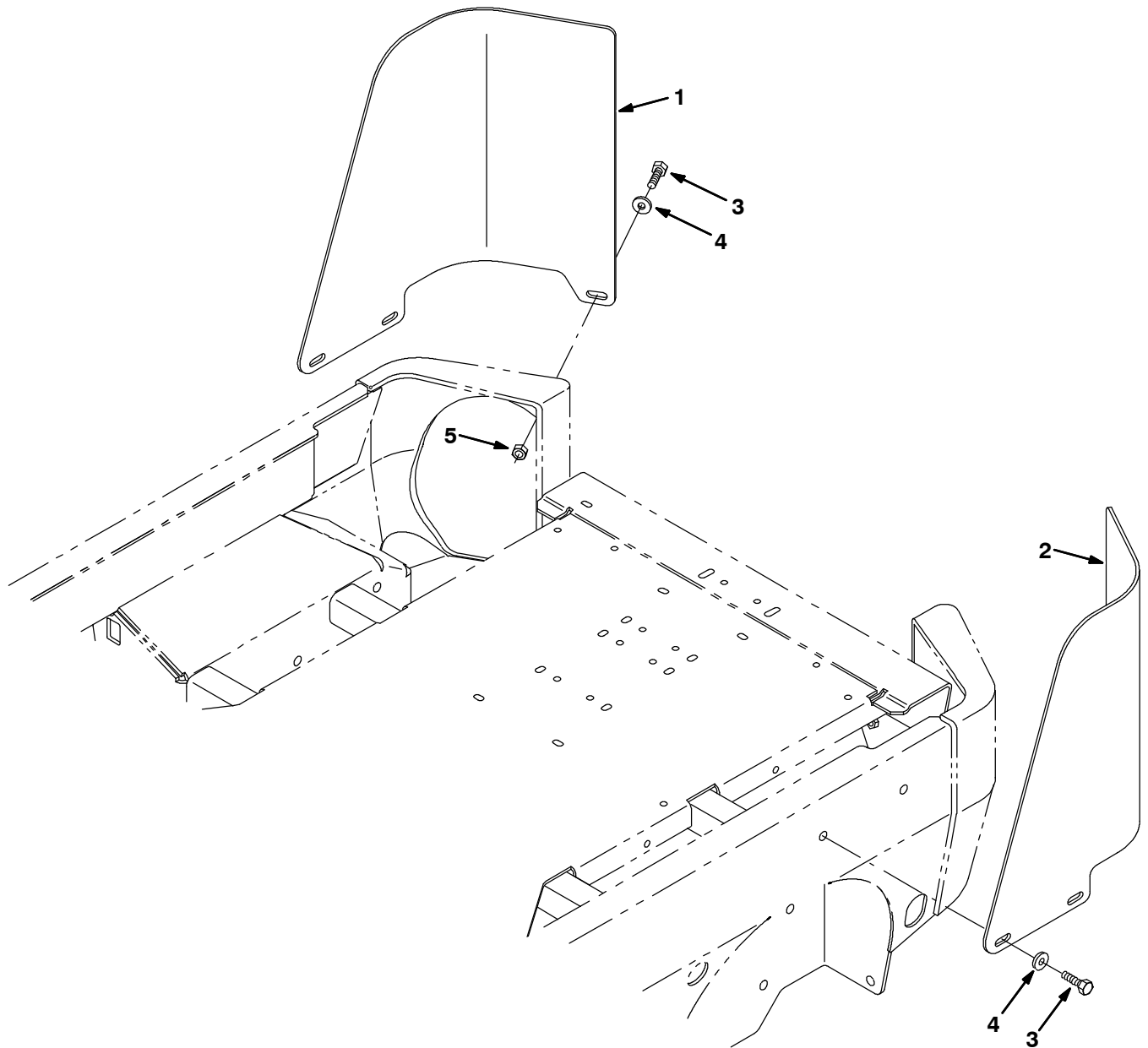


353353

Ref.	Tennant Part No.	Machine Serial Number	Description	Qty.
▽	386417	(000000-004999 )	Kit, Ci, Bumper, Rear	1
▲	1 386415	(000000-004999 )	Bumper, Rear, Rh	1
▲	2 386416	(000000-004999 )	Bumper, Rear, Lh	1
▲	3 09028	(000000-004999 )	Screw, Hex, M10 X 1.5 X 25, Ss	6
▲	4 01686	(000000-004999 )	Washer, Flt, .38 Ss	6
▲	5 08714	(000000-004999 )	Nut, Hex, Lock, M10 X 1.5, NI, Ss	2



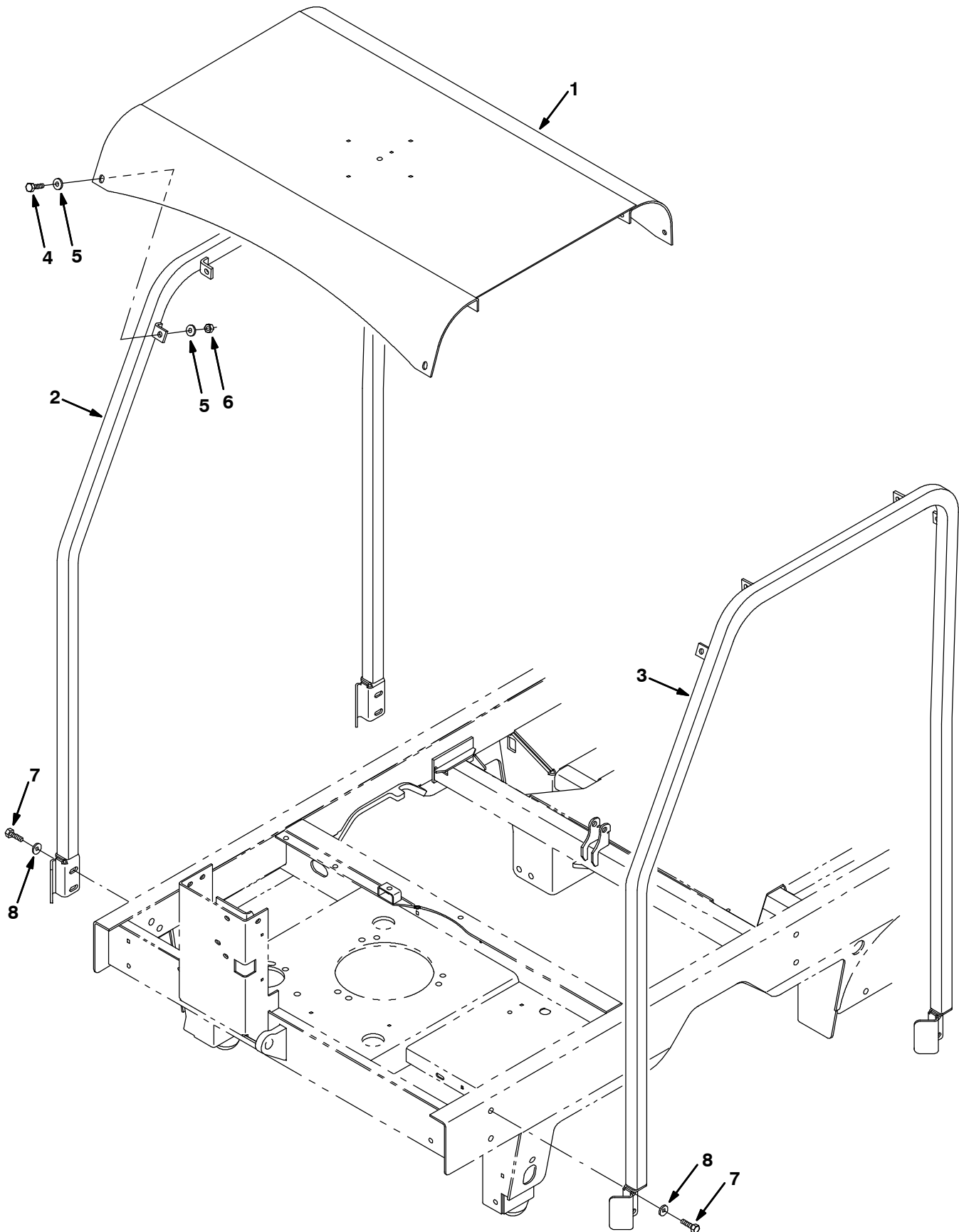
Fig. 8 - Rear Bumper Kit (005000- )



353353

Ref.	Tennant Part No.	Machine Serial Number	Description	Qty.
▽	9006925	(005000- )	Kit, Ci, Bumper, Rear	1
▲	1 1056473	(005000- )	Bumper, Rear, Rh, Iron Gray	1
▲	2 1056474	(005000- )	Bumper, Rear, Lh, Iron Gray	1
▲	3 09028	(005000- )	Screw, Hex, M10 X 1.5 X 25, Ss	6
▲	4 01686	(005000- )	Washer, Flt, .38 Ss	6
▲	5 08714	(005000- )	Nut, Hex, Lock, M10 X 1.5, NI, Ss	2

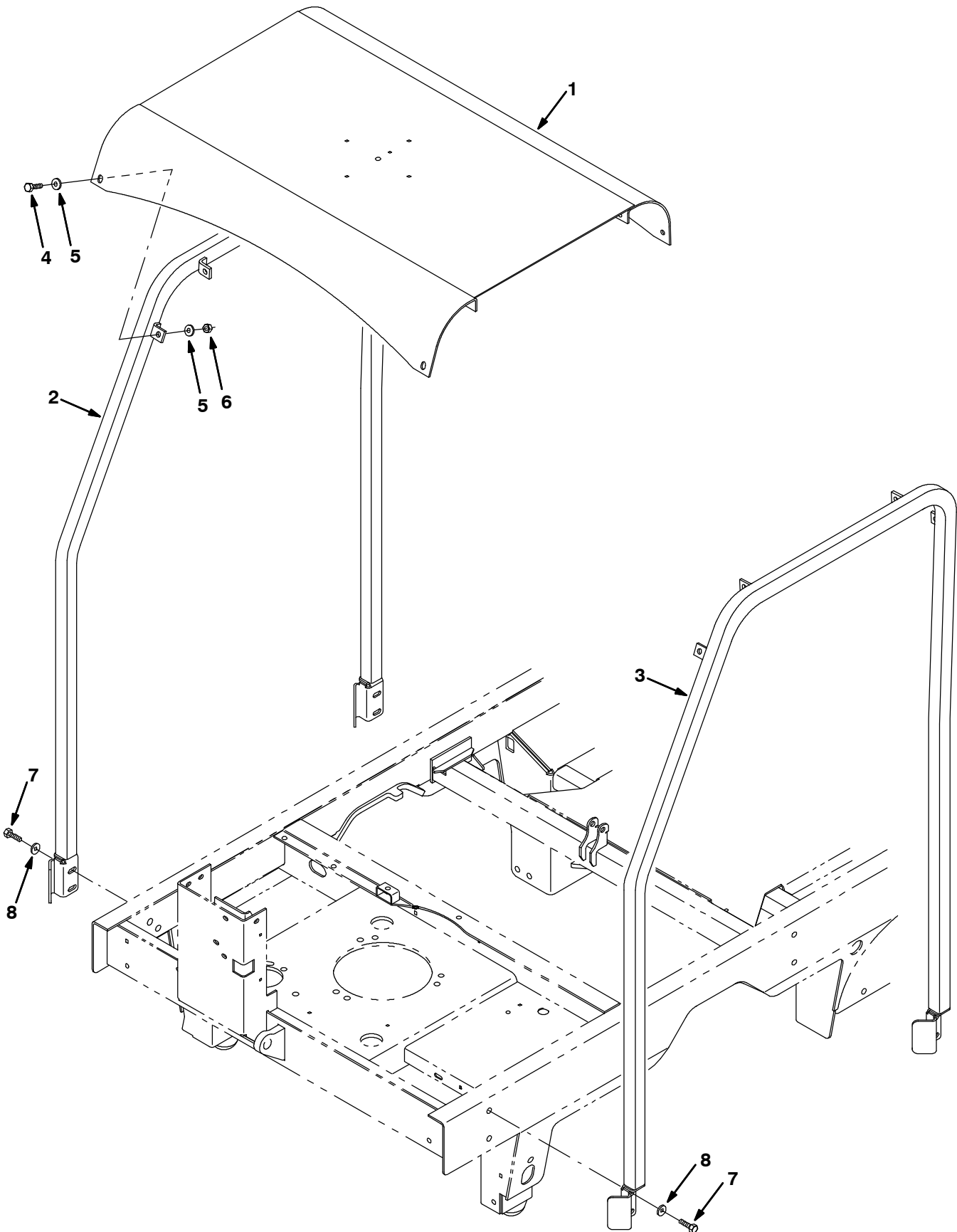
Fig. 9 - Overhead Guard Kit (000000-004999)



**Fig. 9 - Overhead Guard Kit (000000-004999)**

	<b>Tennant</b>	<b>Machine</b>			
<b>Ref.</b>	<b>Part No.</b>	<b>Serial Number</b>	<b>Description</b>		<b>Qty.</b>
▽	386875	(000000-004999 )	Kit, Ci, Ohg, [7300/8300]		1
▲	1 386642	(000000-004999 )	Guard Wldt, Oprtr, Top		1
▲	2 386983	(000000-004999 )	Tube, Guard, Oprtr, Pnt, Rh		1
▲	3 386984	(000000-004999 )	Tube, Guard, Oprtr, Pnt, Lh		1
▲	4 06961	(000000-004999 )	Screw, Hex, M10 X 1.5 X 20, 8.8		8
▲	5 32492	(000000-004999 )	Washer, Flt, .38 Std		16
▲	6 41430	(000000-004999 )	Nut, Hex, Lock, M10 X 1.5, NI		8
▲	7 09028	(000000-004999 )	Screw, Hex, M10 X 1.5 X 25, Ss		8
▲	8 01686	(000000-004999 )	Washer, Flt, .38 Ss		8

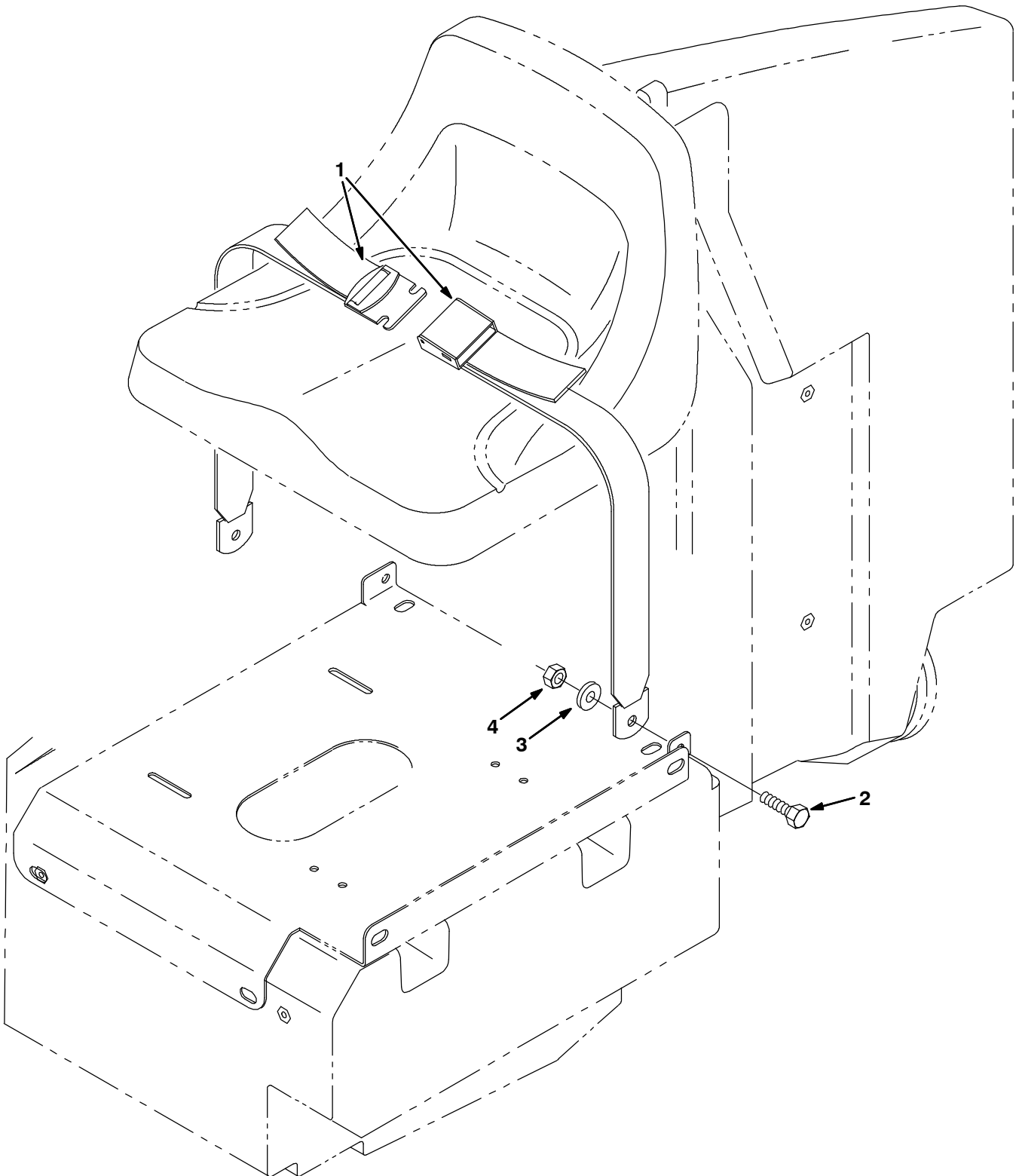
Fig. 10 - Overhead Guard Kit (005000- )



**Fig. 10 - Overhead Guard Kit (005000- )**

	<b>Tennant</b>	<b>Machine</b>			
<b>Ref.</b>	<b>Part No.</b>	<b>Serial Number</b>	<b>Description</b>		<b>Qty.</b>
▽	9006935	(005000-	) Ohg Kit, Iron Gray, Ci [7300/8300]		1
▲	1 1056476	(005000-	) Guard Wldt, Oprtr, Top, Iron Gray		1
▲	2 1056673	(005000-	) Tube, Ohg, Oprtr, Rh, Pntd, Iron Gray		1
▲	3 1056674	(005000-	) Tube, Ohg, Oprtr, Lh, Pntd, Iron Gray		1
▲	4 06961	(005000-	) Screw, Hex, M10 X 1.5 X 20, 8.8		8
▲	5 32492	(005000-	) Washer, Flt, .38 Std		16
▲	6 41430	(005000-	) Nut, Hex, Lock, M10 X 1.5, NI		8
▲	7 09028	(005000-	) Screw, Hex, M10 X 1.5 X 25, Ss		8
▲	8 01686	(005000-	) Washer, Flt, .38 Ss		8

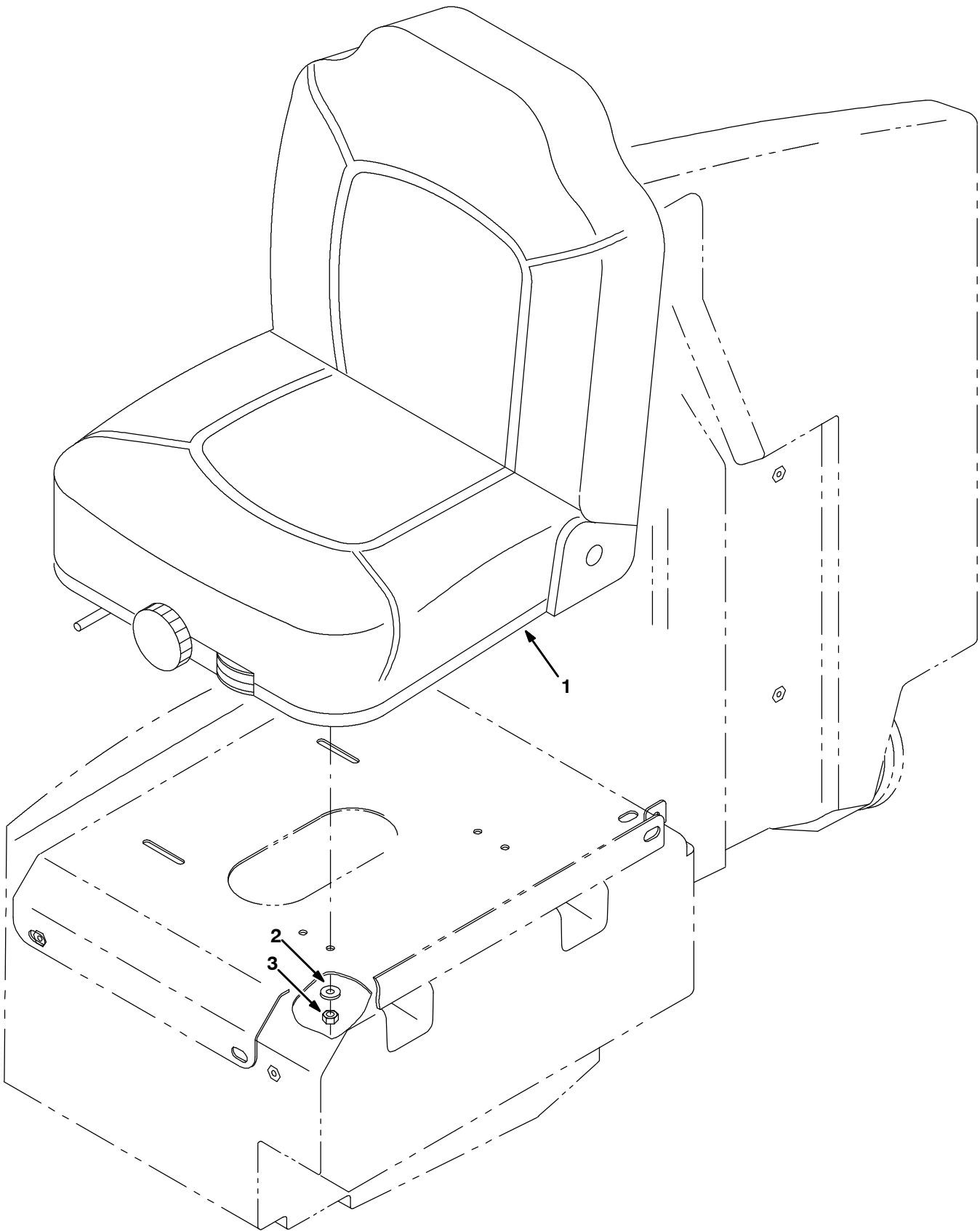
Fig. 11 - Seat Belt Kit



**Fig. 11 - Seat Belt Kit**

	<b>Ref.</b>	<b>Tennant Part No.</b>	<b>Machine Serial Number</b>	<b>Description</b>	<b>Qty.</b>
▽		386958	(000000-	) Kit, Ci, Seatbelt	1
▲	1	30533	(000000-	) Seatbelt	1
▲	2	06961	(000000-	) Screw, Hex, M10 X 1.5 X 20, 8.8	2
▲	3	32493	(000000-	) Washer, Flt, .50 Std	2
▲	4	41430	(000000-	) Nut, Hex, Lock, M10 X 1.5, NI	2

Fig. 12 - Suspension Seat Kit

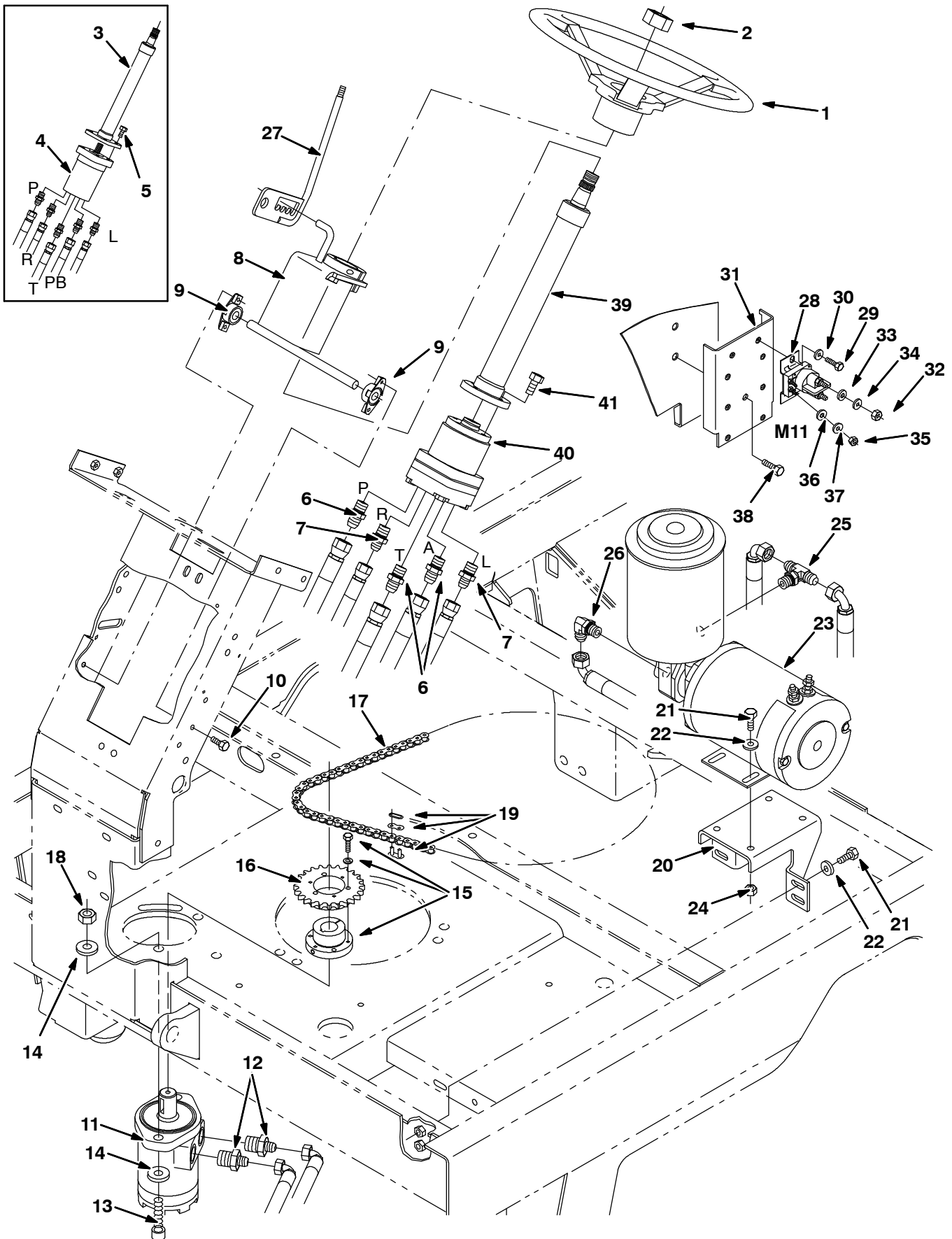




**Fig. 12 - Suspension Seat Kit**

	<b>Ref.</b>	<b>Tennant Part No.</b>	<b>Machine Serial Number</b>	<b>Description</b>	<b>Qty.</b>
▽		386963	(000000-	) Kit, Ci, Seat, Suspension	1
▲	1	223595	(000000-	) Seat, Suspension	1
▲	2	32491	(000000-	) Washer, Flt, .31 Std	4
▲	3	32983	(000000-	) Nut, Hex, Lock, .31-18, NI	4

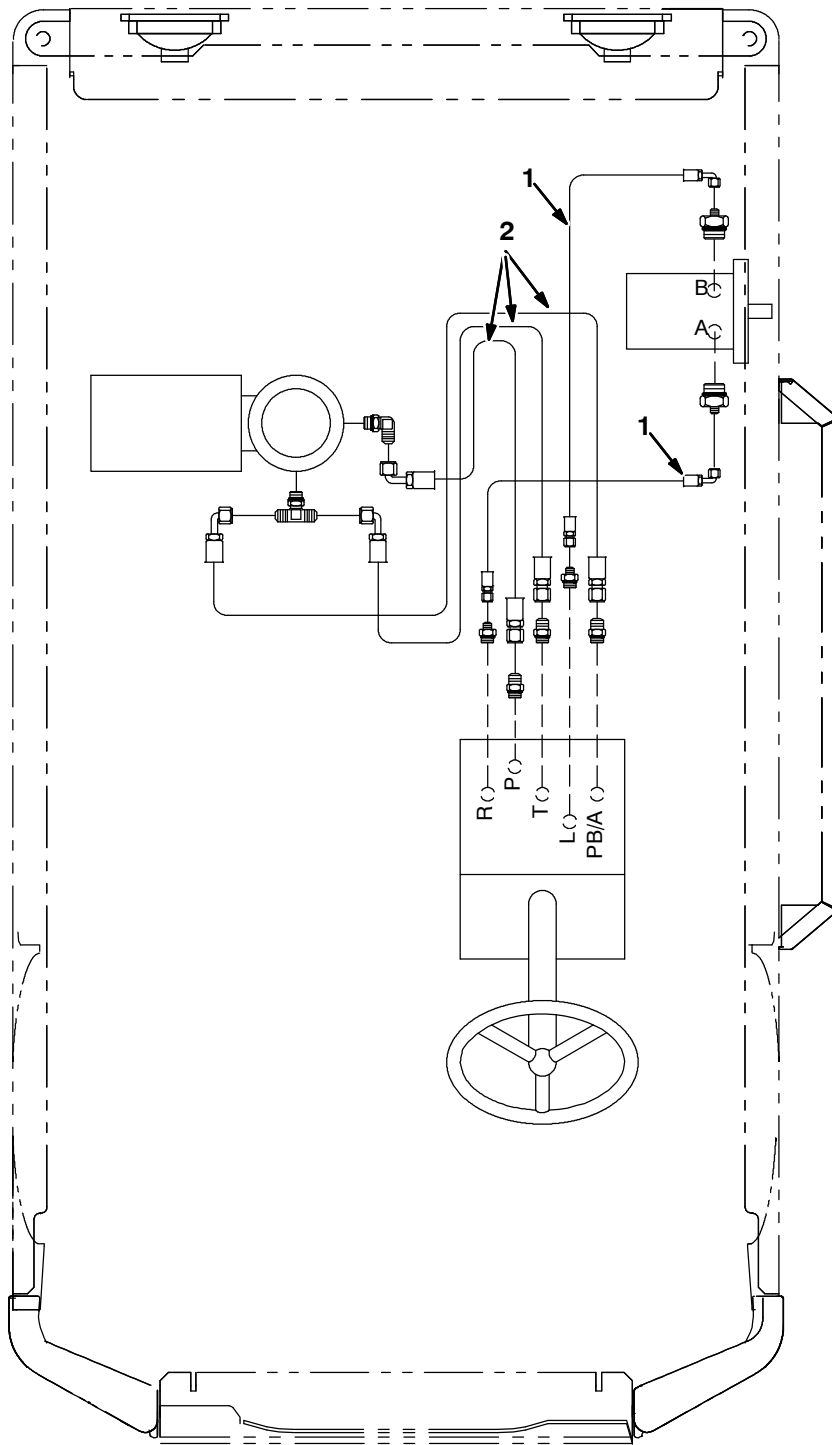
Fig. 13 - Power Steering Group



**Fig. 13 - Power Steering Group**

Ref.	Tennant Part No.	Machine Serial Number	Description	Qty.	
1	56398	(000000-	) Wheel, Steering, 14.0d, Taper Bore	1	
2	56185	(000000-	) Nut, Hex, Jam, M20 X 1.5	1	
▽	3	386702	(000000-001837 ) Column, Steering (Replaced by 387653)	1	
▲	74142	(000000-001837 )	Cap, Tube	1	
▽	4	386701	(000000-001837 ) Steer-Control, Hyd (Replaced by 387653)	1	
▲	373424	(000000-001837 )	Kit, Seal, Scu	1	
5	06960	(000000-001837 )	Screw, Hex, M10 X 1.5 X 16, 8.8	3	
6	56690	(000000-	) Fitting, Hyd, Str, Jm06/Om06	3	
7	55685	(000000-	) Fitting, Hyd, Str, Jm04/Om06	2	
8	1056854	(000000-	) Bracket Wldt, Steering, Tilt, Iron Gray	1	
9	70709	(000000-	) Bushing Assy, Flng, 2 Hole, 0.50b	2	
10	06942	(000000-	) Screw, Hex, M06 X 1.0 X 16, 8.8	4	
11	386703	(000000-	) Motor, Hyd (See Breakdowns)	1	
12	57984	(000000-	) Fitting, Hyd, Str, Jm04/Om10	2	
13	387393	(000000-	) Screw, Soc, M12 X 1.75 X 45	2	
14	32486	(000000-	) Washer, Flt, .50 Sae	4	
15	386215	(000000-	) Bushing, Taper Lock	1	
16	386214	(000000-	) Sprocket, #40 24-Tooth	1	
17	386216	(000000-	) Chain, Roller, #40 X 109 Pitches	1	
18	08711	(000000-	) Nut, Hex, Lock, M12 X 1.75,NI	2	
19	07112	(000000-	) Link, Chain, Roller, #40	1	
20	1056853	(000000-	) Plate, Mtg, Hyd, Iron Gray	1	
21	16931	(000000-	) Screw, Hex, M08 X 1.25 X 20, 8.8	8	
22	32491	(000000-	) Washer, Flt, .31 Std	8	
23	386704	(000000-	) Powerunit, Hyd, 36vdc (See Breakdowns)	1	
24	08709	(000000-	) Nut, Hex, Lock, M08 X 1.25,NI	4	
25	67683	(000000-	) Fitting, Hyd, Tee, Jm06/Om06/Jm06	1	
26	56820	(000000-	) Fitting, Hyd, E90, Jm06/Om06	1	
27	386209	(000000-	) Handle Wldt, Steering, Tilt	1	
28	386810	(000000-	) Contactor, 36vdc	1	
29	06942	(000000-	) Screw, Hex, M06 X 1.0 X 16, 8.8	2	
30	32483	(000000-	) Washer, Flt, .25 Sae	2	
31	387452	(000000-004999 )	Plate, Mtg, Contactor	1	
31	1056485	(005000-	) Plate, Mtg, Contactor, Iron Gray	1	
32	01715	(000000-	) Nut, Hex, Std, .31-24	2	
33	32984	(000000-	) Washer, Lock, Int, .31	2	
34	39349	(000000-	) Washer, Flt, .31 Sae	2	
35	01713	(000000-	) Nut, Hex, Std, #10-32, 2	2	
36	07514	(000000-	) Washer, Lock, Int, #10, Ss	2	
37	19066	(000000-	) Washer, Flt, #10	2	
38	41342	(000000-	) Screw, Hex, M08 X 1.25 X 40, 8.8	1	
▽	39	373496	(001838-	) Column, Steering, #14.0L .81D 36Tooth	1
▲	74142	(001838-	) Cap, Tube	1	
40	373495	(001838-	) Steer-Control, Hyd (See Breakdowns)	1	
41	11329	(001838-	) Screw, Hex, M6X1.0X16, Ss, NI	4	

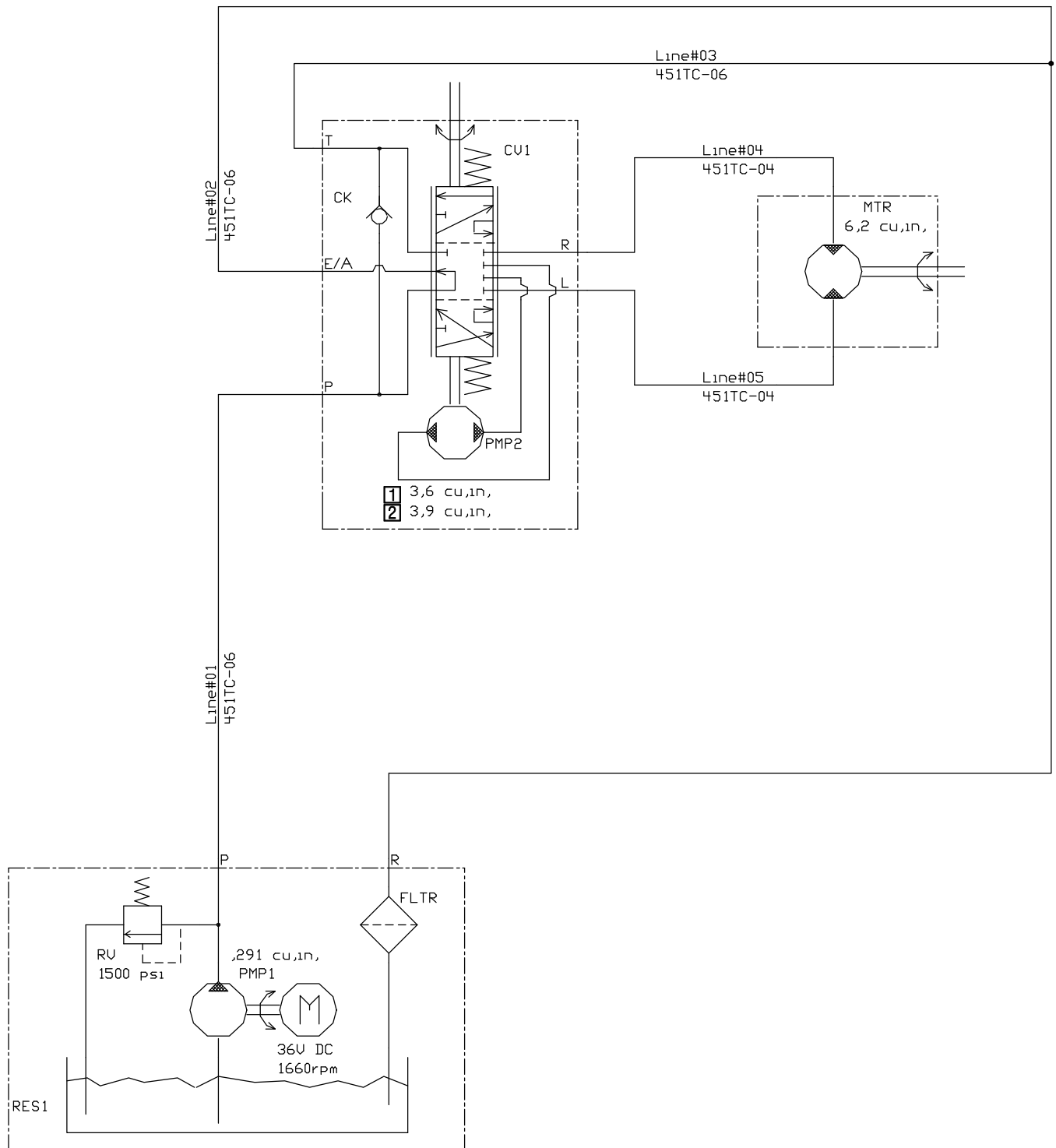
**Fig. 14 - Power Steering Hydraulic Hose Group**



353373 - 7300

Ref.	Tennant Part No.	Machine Serial Number	Description	Qty.
1	381867	(000000- )	Hose, Hyd,Tc 04, Jf04str /Jf04e90 , 30.0	2
2	386711	(000000- )	Hose, Hyd, Tc 06, Jf Str/E90 , 48.0l	3

Fig. 15 - Power Steering Hydraulic Schematic



353372 - 7300

- 1 Serial number (000000-001837)
- 2 Serial number (001838- )

**Fig. 16 - Right Side Brush Motor And Pivot Group**

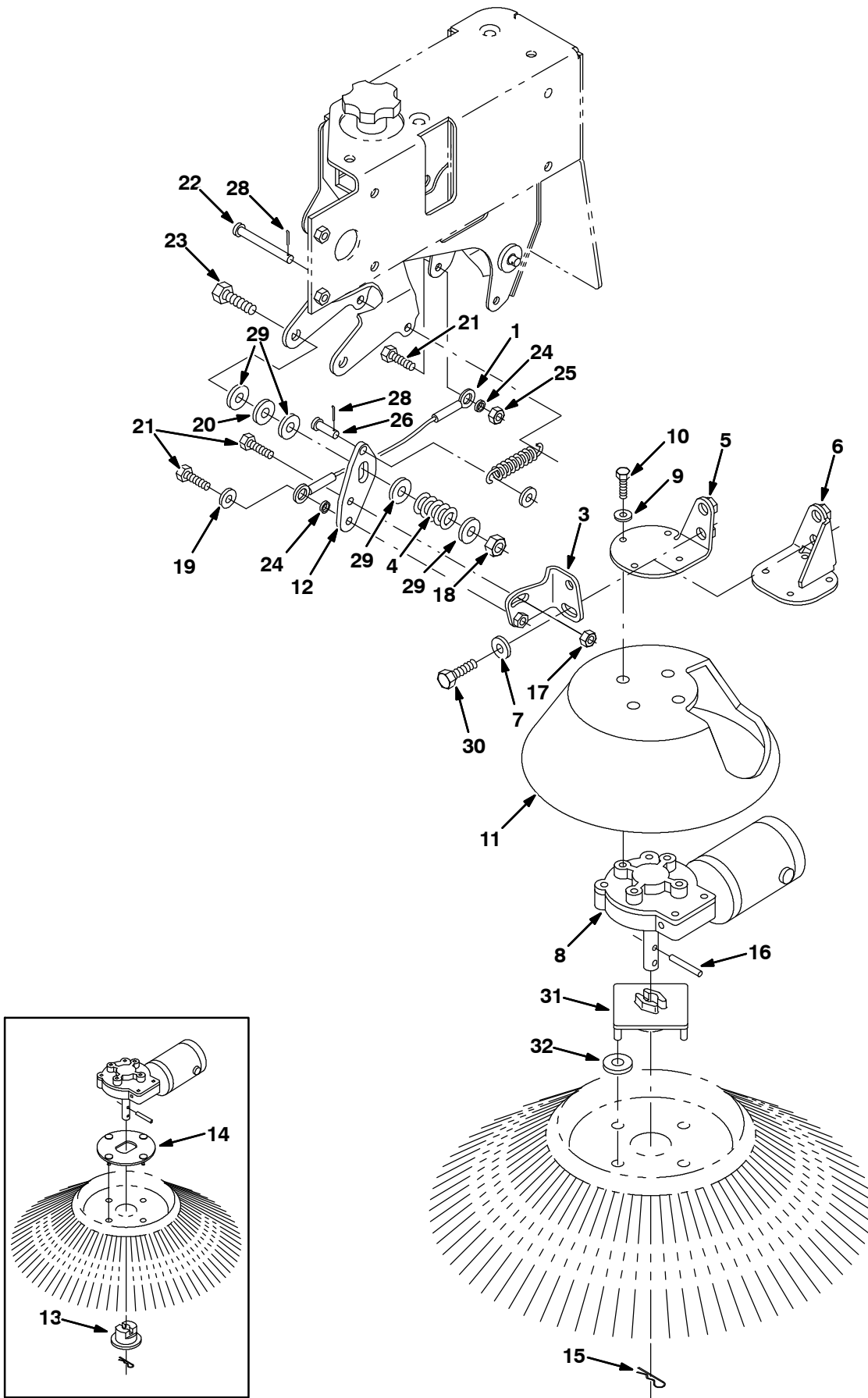


Fig. 16 - Right Side Brush Motor And Pivot Group

Ref.	Tennant Part No.	Machine Serial Number	Description	Qty.	
1	87172	(000000-	) Cable, .13d, 10.0l, .51eye /.51eye	1	
2	09480	(000000-	) Spring, Extn, 1.10od X 0.15wir, 3.2l	1	
3	1056891	(000000-	) Bracket, Mtg, Motor, Iron Gray	2	
4	360357	(000000-	) Spring, Die, 1.00od 0.50id 1.25l	2	
5	1056911	(000000-	) Bracket, Mtg, Motor, Iron Gray	1	
6	387577	(000000-	) Bracket, Motor, Mtg	1	
7	32492	(000000-	) Washer, Flat, .38 Ss	2	
▽	8	1008274	(000000-	) Motor, Ele, 36Vdc 0.08Hp 0068Rpm 04.5A	1
▲		81919	(000000-	) Kit, Brush, Motor, Ele	1
▲		80127	(000000-	) Cap, Brush, Motor, Ele	2
▲		369795	(000000-	) Brushholder, Motor, Ele	2
▲		369796	(000000-	) Clip, Motor, Ele	2
9	01684	(000000-	) Washer, Flt, .25 Ss	4	
10	08716	(000000-	) Screw, Hex, M06 X 1.0 X 20, Ss	4	
11	386666	(000000-	) Guard, Brush, Side	1	
12	1056909	(000000-	) Plate, Iron Gray	1	
13	386664	(000000-002346	) Adapter, Brush	1	
14	386663	(000000-002346	) Plate, Adapter, Brush	1	
15	02942	(000000-	) Pin, Hair Cotter, 0.62 D .120 Wir	1	
16	11398	(000000-	) Pin, Roll, .250 D X 2.00l, .250/.256	1	
17	07791	(000000-	) Nut, Hex, Flng, M08 X 1.25	1	
18	08711	(000000-	) Nut, Hex, Lock, M12 X 1.75, NI	1	
19	32491	(000000-	) Washer, Flt, .31 Std	1	
20	86860	(000000-	) Bearing, Thrust	1	
21	39277	(000000-	) Screw, Hex, M08 X 1.25 X 25, 8.8	3	
22	57598	(000000-	) Pin, Clevis, 0.37 D X 3.25l	1	
23	06974	(000000-	) Screw, Hex, M12 X 1.75 X 80, 8.8	1	
24	360801	(000000-	) Sleeve	2	
25	08709	(000000-	) Nut, Hex, Lock, M08 X 1.25,NI	1	
26	04733-2	(000000-	) Pin, Clevis, 0.37 D X 0.62l	1	
27	01685	(000000-	) Washer, Flt, .31 Ss	1	
28	39005	(000000-	) Pin, Cotter, .094 X 0.75	2	
29	32486	(000000-	) Washer, Flt, .50 Sae	4	
30	39283	(000000-	) Screw, Hex, M10 X 1.5 X 25, 8.8	2	
31	1017441	(002347-	) Plate, Adapter, Brush	1	
32	1017802	(002347-	) Washer, .625 B, 2.50 Od, .211 T, Ss	4	

Fig. 17 - Right Side Brush Lift Group

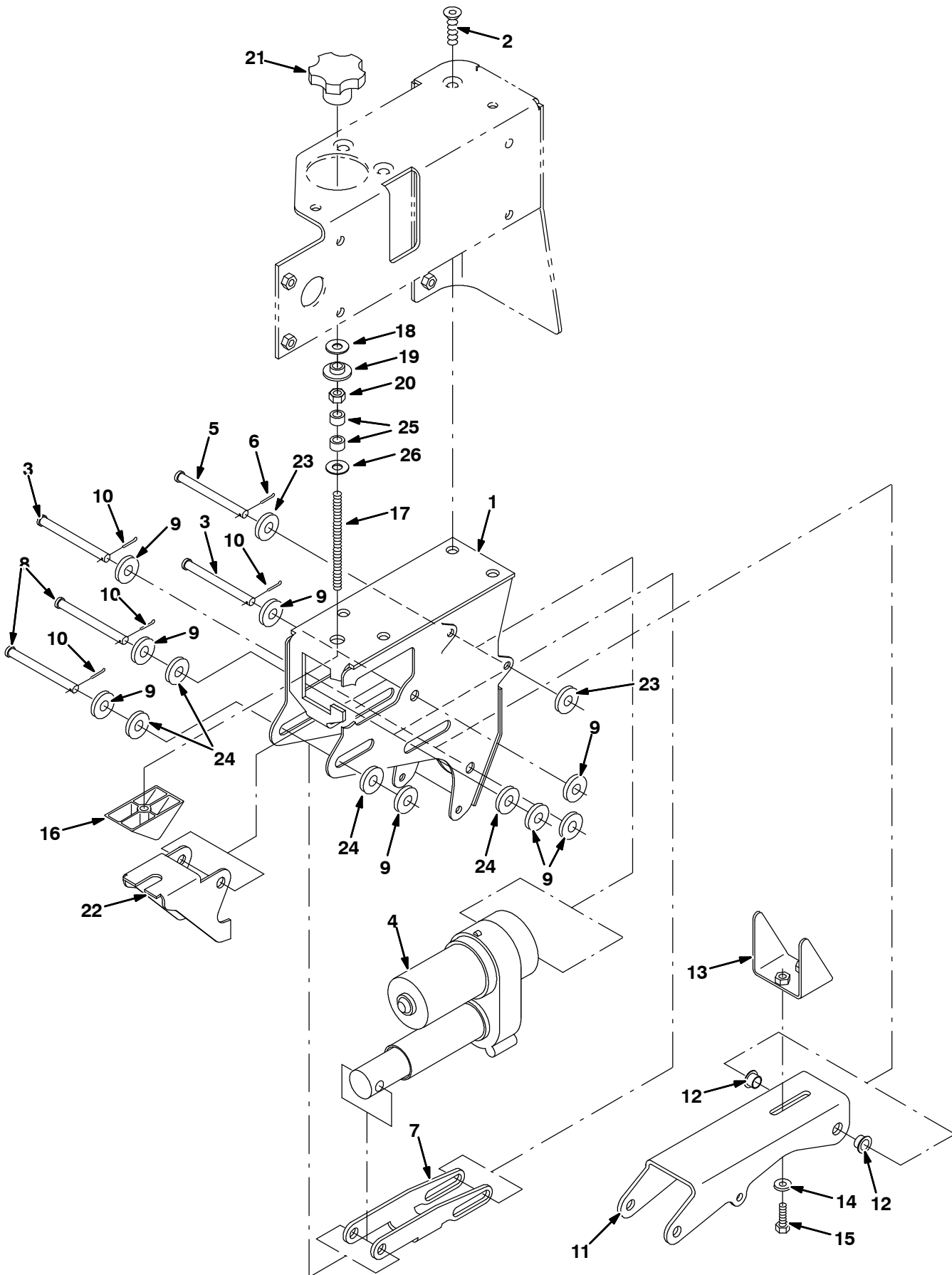




Fig. 17 - Right Side Brush Lift Group

Ref.	Tennant Part No.	Machine Serial Number	Description	Qty.
1	1056887	(000000-	) Housing Wldt, Brush, Side, Iron Gray	1
2	04373	(000000-	) Screw, Flt, M10 X 1.5 X 20, 10.9	3
3	222196	(000000-	) Pin, Clevis, 0.50 D X 4.00l	2
4	1054296	(000000-	) Actuator, 36vdc, 01.8strk, 300lb	1
5	49914	(000000-	) Pin, Clevis, 0.37 D X 4.00l	1
6	39005	(000000-	) Pin, Cotter, .094 X 0.75	1
7	1056888	(000000-	) Bracket, Iron Gray	1
8	51528	(000000-	) Pin, Clevis, 0.50 D X 4.00l	2
9	32486	(000000-	) Washer, Flt, .50 Std	8
10	08182	(000000-	) Pin, Cotter, .125 X 1.00	4
11	1056889	(000000-	) Channel, Iron Gray	1
12	15648	(000000-	) Bushing, Flng, 0.50b 0.59d 0.38l	2
13	1056890	(000000-	) Bracket, Iron Gray	1
14	32491	(000000-	) Washer, Flt, .31 Std	2
15	16931	(000000-	) Screw, Hex, M08 X 1.25 X 20, 8.8	2
16	386658	(000000-	) Block, Adj	1
17	387151	(000000-	) Shaft, Threaded	1
18	64489	(000000-	) Washer, 0.81b 1.24d .03, Stl, Pl	1
19	363087	(000000-	) Spacer, Flanged	1
20	25014	(000000-	) Nut, Hex, Std, M10 X 1.25	1
21	41341	(000000-	) Knob, Plastic	1
22	1056910	(000000-	) Bracket, Pivot, Iron Gray	1
23	32485	(000000-	) Washer, Flt, .38 Sae	2
24	07450	(000000-	) Bearing, Thrust, 0.66b 1.25d 0.06w	4
25	390879	(000000-	) Sleeve, P/M, 0.625d 0.406b 0.38l 430ss	2
26	32492	(000000-	) Washer, Flat, 0.38 Std	1

Fig. 18 - Right Side Brush Bumper And Electrical Group

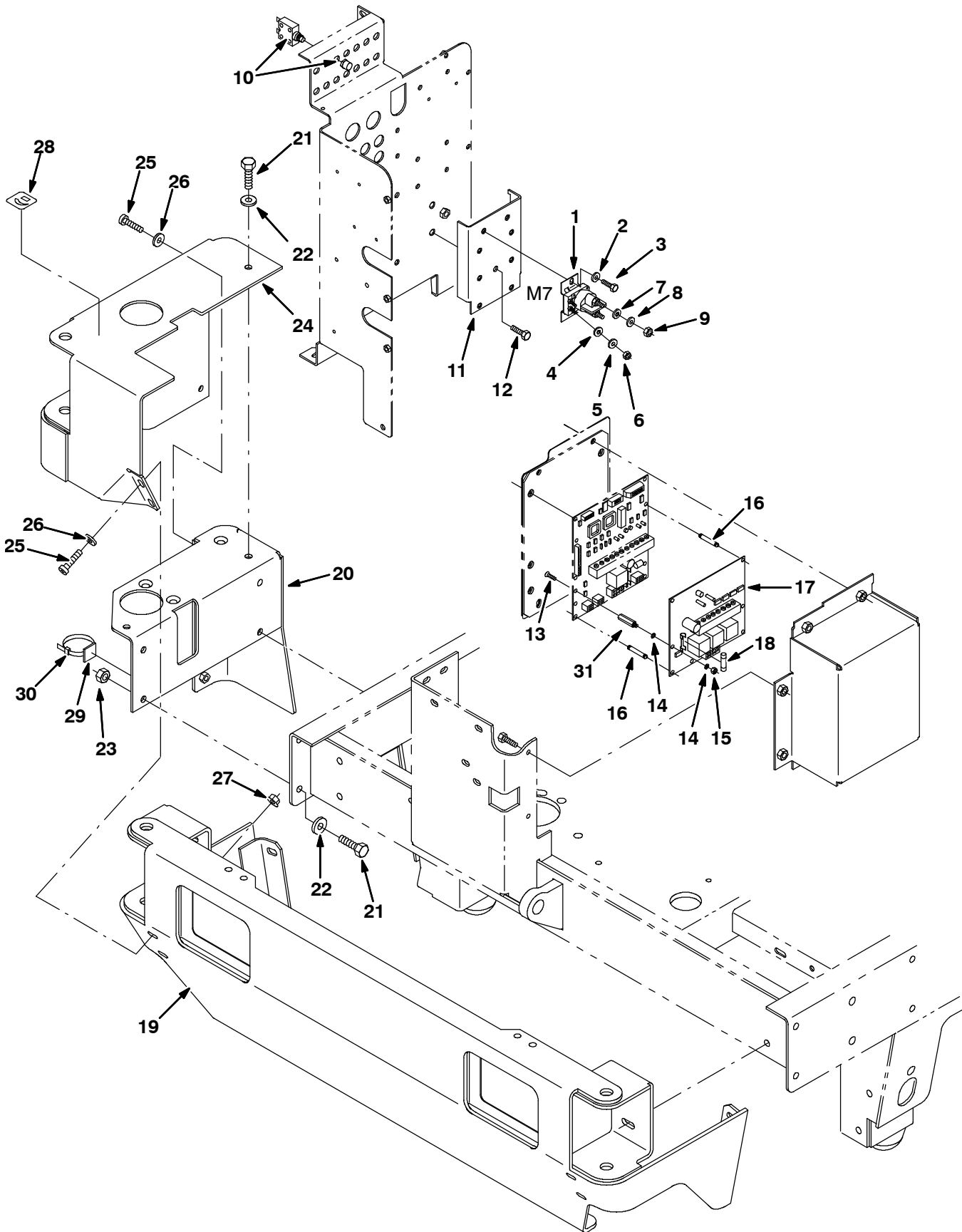


Fig. 18 - Right Side Brush Bumper And Electrical Group

Ref.	Tennant Part No.	Machine Serial Number	Description	Qty.	
1	386810	(000000-	) Relay, 36vdc, 100a, Sp N/O [White]	1	
2	32483	(000000-	) Washer, Flat, .25 Sae	2	
3	06942	(000000-	) Screw, Hex, M06 X 1.0 X 16, 8.8	2	
4	32980	(000000-	) Washer, Lock, Int, #10	2	
5	19066	(000000-	) Washer, Flt, #10	2	
6	01713	(000000-	) Nut, Hex, Std, #10-32, 2	2	
7	32984	(000000-	) Washer, Lock, Int, .31	2	
8	39349	(000000-	) Washer, Flat, .31 Sae	2	
9	01715	(000000-	) Nut, Hex, Std, .31-24	2	
10	383722	(000000-	) Circuitbreaker, 15.0a	2	
11	387452	(000000-004999	) Plate, Mtg, Contactor	1	
11	1056485	(005000-	) Plate, Mtg, Contactor, Iron Gray	1	
12	41342	(000000-	) Screw, Hex, M08 X 1.25 X 40, 8.8	1	
13	25538	(000000-	) Screw, Flt, #06-32 X 0.38, Al	2	
14	41401	(000000-	) Washer, Lock, Int, #06, Ss	4	
15	75939	(000000-	) Nut, Hex, Lock, #06-32, NI	2	
16	386307	(000000-	) Stand-Off, 1.25, Plstc	5	
▽	17	386308	(000000-	) Circuitboard, Sweeper, [8300]	1
▲	18	45595	(000000-	) Fuse, 010A 032Vdc 0.25D	1
19	387562	(000000-004999	) Bumper Wldt	1	
19	1056688	(005000-	) Bumper Wldt, Iron Gray	1	
20	387531	(000000-004999	) Bracket, Hsng, Brush	1	
20	1056397	(005000-	) Bracket, Hsng, Brush, Iron Gray	1	
21	09028	(000000-	) Screw, Hex, M10 X 1.5 X 25, Ss	5	
22	01686	(000000-	) Washer, Flat, .38 Ss	5	
23	41430	(000000-	) Nut, Hex, Lock, M10 X 1.5, NI	2	
24	387536	(000000-004999	) Housing Wldt, Brush	1	
24	1056399	(005000-	) Housing Wldt, Brush, Iron Gray	1	
25	223470	(000000-	) Screw, Btn, M08 X 1.25 X 25, Ss	4	
26	01685	(000000-	) Washer, Flat, .31 Ss	4	
27	07791	(000000-	) Nut, Hex, Flng, M08 X 1.25	2	
28	387405	(000000-	) Label, Brush, Side, Adj	1	
29	55248	(000000-	) Mount, Cable Tie	1	
30	49266	(000000-	) Tie, Cable, Nyl, 07.3l .19w 1.8 Max D	2	
31	386806	(000000-	) Stand-Off, 1.25, Metal	2	

Fig. 19 - Right Side Brush Wire Harness Group

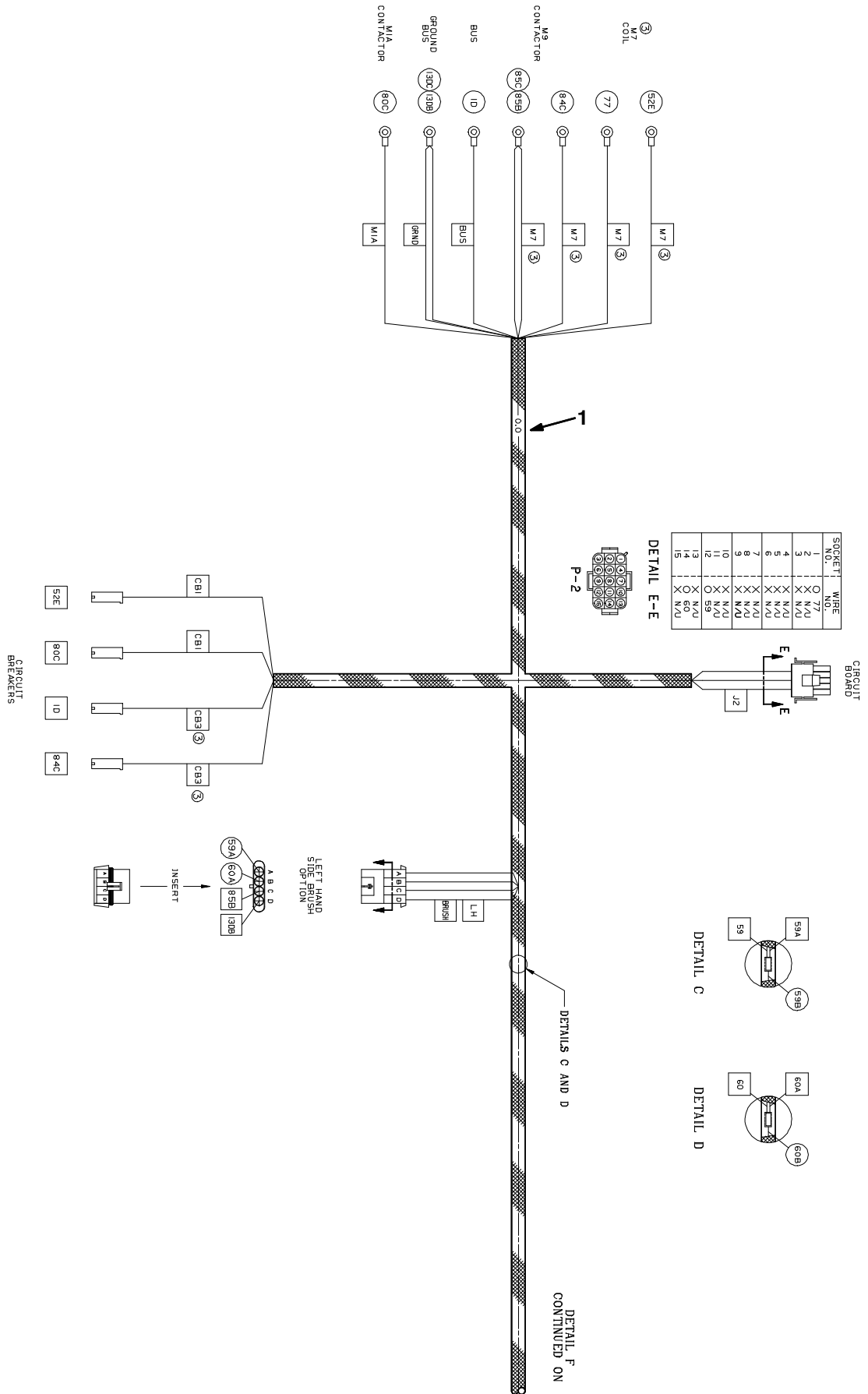
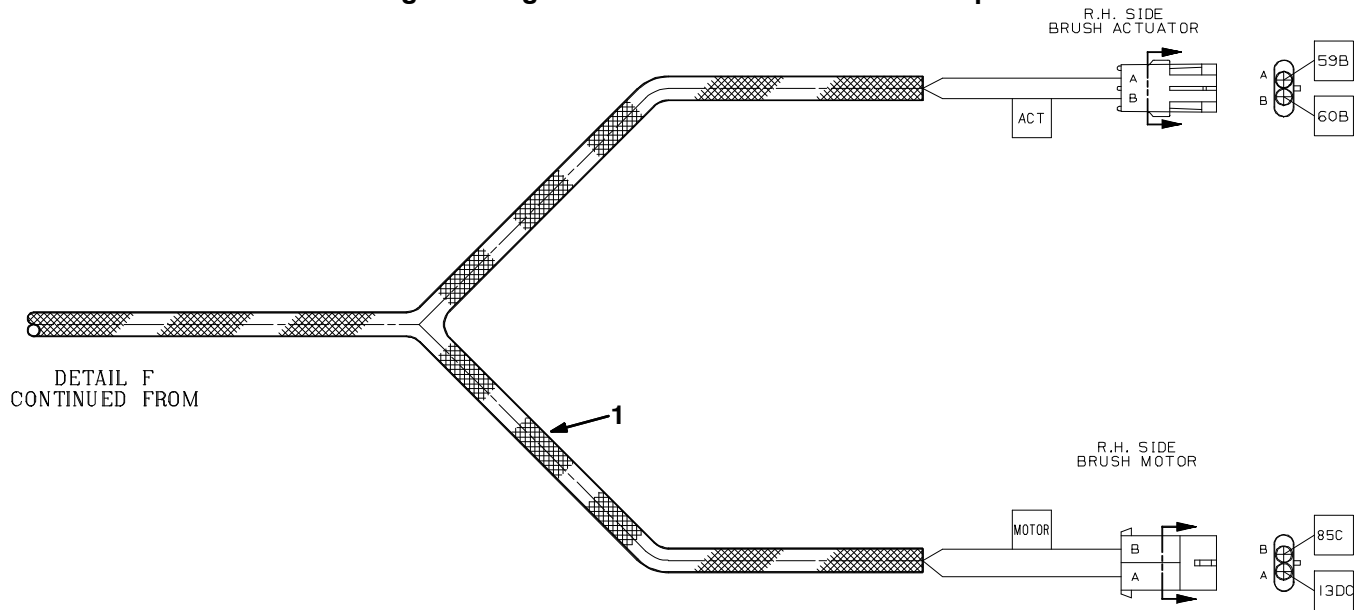


Fig. 19 - Right Side Brush Wire Harness Group



Ref.	Tenant Part No.	Machine Serial Number	Description	Qty.
1	387628	(000000- )	Harness, Brush, Side, Rh [7300]	1

Fig. 20 - Left Side Brush Motor And Pivot Group

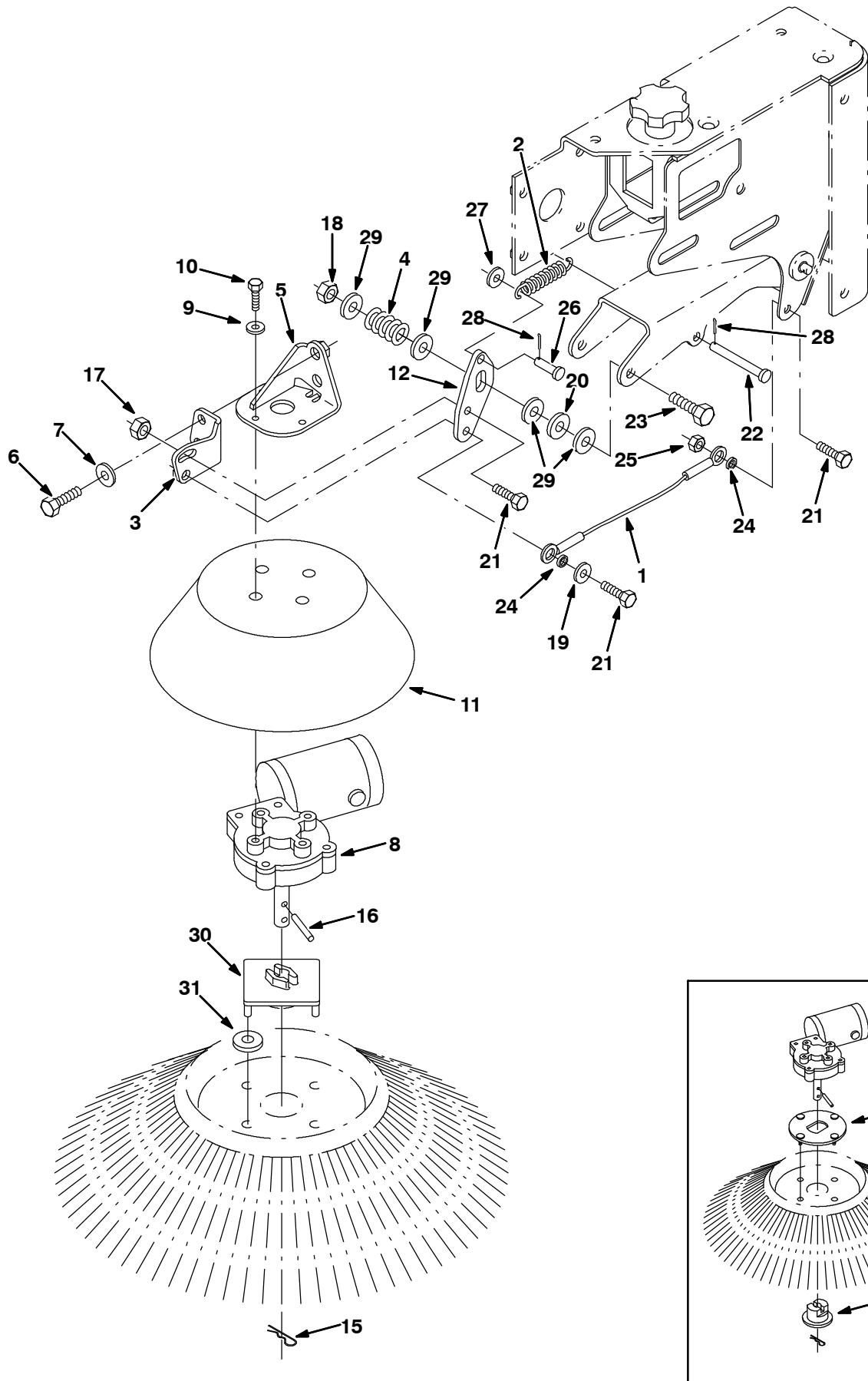


Fig. 20 - Left Side Brush Motor And Pivot Group

Ref.	Tennant Part No.	Machine Serial Number	Description	Qty.	
1	87172	(000000-	) Cable, .13d, 10.0l, .51eye /.51eye	1	
2	09480	(000000-	) Spring, Extn, 1.10od X 0.15wir, 3.2l	1	
3	1056894	(000000-	) Bracket, Mtg, Motor, Iron Gray	2	
4	360357	(000000-	) Spring, Die, 1.00od 0.50id 1.25l	2	
5	1056892	(000000-	) Bracket, Mtg, Motor, Iron Gray	1	
6	39283	(000000-	) Screw, Hex, M10 X 1.5 X 25, 8.8	2	
7	32492	(000000-	) Washer, Flat, .38 Std	2	
▽	8	1008275	(000000-	) Motor, Ele, 36Vdc 0.08Hp 0068Rpm 04.5A	1
▲		81919	(000000-	) Kit, Brush, Motor, Ele	1
▲		80127	(000000-	) Cap, Brush, Motor, Ele	2
▲		369795	(000000-	) Brushholder, Motor, Ele	2
▲		369796	(000000-	) Clip, Motor, Ele	2
9	01684	(000000-	) Washer, Flt, .25 Ss	4	
10	08716	(000000-	) Screw, Hex, M06 X 1.0 X 20, Ss	4	
11	386666	(000000-	) Guard, Brush, Side	1	
12	1056909	(000000-	) Plate, Iron Gray	1	
13	386664	(000000-002346	) Adapter, Brush	1	
14	386663	(000000-002346	) Plate, Adapter, Brush	1	
15	02942	(000000-	) Pin, Hair Cotter, 0.62 D .120 Wir	1	
16	11398	(000000-	) Pin, Roll, .250 D X 2.00l, .250/.256	1	
17	07791	(000000-	) Nut, Hex, Flng, M08 X 1.25	1	
18	08711	(000000-	) Nut, Hex, Lock, M12 X 1.75,NI	1	
19	32491	(000000-	) Washer, Flt, .31 Std	1	
20	86860	(000000-	) Bearing, Thrust	1	
21	39277	(000000-	) Screw, Hex, M08 X 1.25 X 25, 8.8	3	
22	57598	(000000-	) Pin, Clevis, 0.37 D X 3.25l	1	
23	06974	(000000-	) Screw, Hex, M12 X 1.75 X 80, 8.8	1	
24	360801	(000000-	) Sleeve	2	
25	08709	(000000-	) Nut, Hex, Lock, M08 X 1.25,NI	1	
26	04733-2	(000000-	) Pin, Clevis, 0.37 D X 0.62l	1	
27	01685	(000000-	) Washer, Flt, .31 Ss	1	
28	39005	(000000-	) Pin, Cotter, .094 X 0.75	2	
29	32486	(000000-	) Washer, Flt, .50 Sae	4	
30	1017441	(002347-	) Plate, Adapter, Brush	1	
31	1017802	(002347-	) Washer, .625 B, 2.50 Od, .211 T, Ss	4	

Fig. 21 - Left Side Brush Lift Group

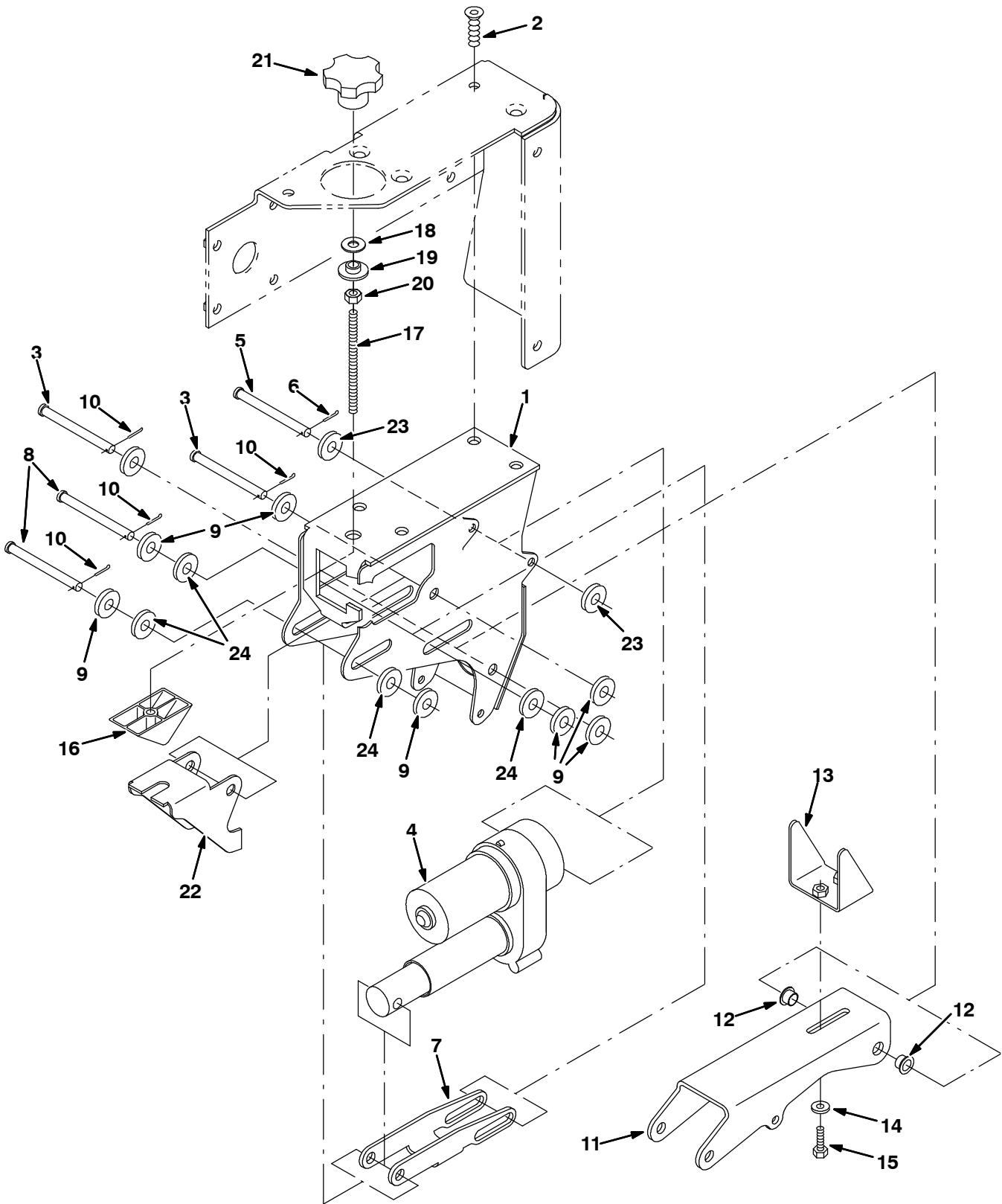




Fig. 21 - Left Side Brush Lift Group

Ref.	Tennant Part No.	Machine Serial Number	Description	Qty.
1	1056887	(000000-	) Housing Wldt, Brush, Side, Iron Gray	1
2	04373	(000000-	) Screw, Flt, M10 X 1.5 X 20, 10.9	3
3	222196	(000000-	) Pin, Clevis, 0.50 D X 4.00l	2
4	1054296	(000000-	) Actuator, 36vdc, 01.8strk, 300lb	1
5	49914	(000000-	) Pin, Clevis, 0.37 D X 4.00l	1
6	39005	(000000-	) Pin, Cotter, .125 X 1.00	1
7	1056888	(000000-	) Bracket, Iron Gray	1
8	51528	(000000-	) Pin, Clevis, 0.50 D X 4.00l	2
9	32486	(000000-	) Washer, Flt, .50 Std	8
10	08182	(000000-	) Pin, Cotter, .125 X 1.00	4
11	1056889	(000000-	) Channel, Iron Gray	1
12	15648	(000000-	) Bushing, Flng, 0.50b 0.59d 0.38l	2
13	1056890	(000000-	) Bracket, Iron Gray	1
14	32491	(000000-	) Washer, Flt, .31 Std	2
15	16931	(000000-	) Screw, Hex, M08 X 1.25 X 20, 8.8	2
16	386658	(000000-	) Block, Adj	1
17	387151	(000000-	) Shaft, Threaded	1
18	64489	(000000-	) Washer, 0.81b 1.24d .03, Stl, Pl	1
19	363087	(000000-	) Spacer, Flanged	1
20	25014	(000000-	) Nut, Hex, Std, M10 X 1.25	1
21	41341	(000000-	) Knob, Plastic	1
22	386909	(000000-	) Bracket, Pivot	1
23	32485	(000000-	) Washer, Flt, .38 Sae	2
24	07450	(000000-	) Bearing, Thrust, 0.66b 1.25d 0.06w	4

Fig. 22 - Left Side Brush Mount Group

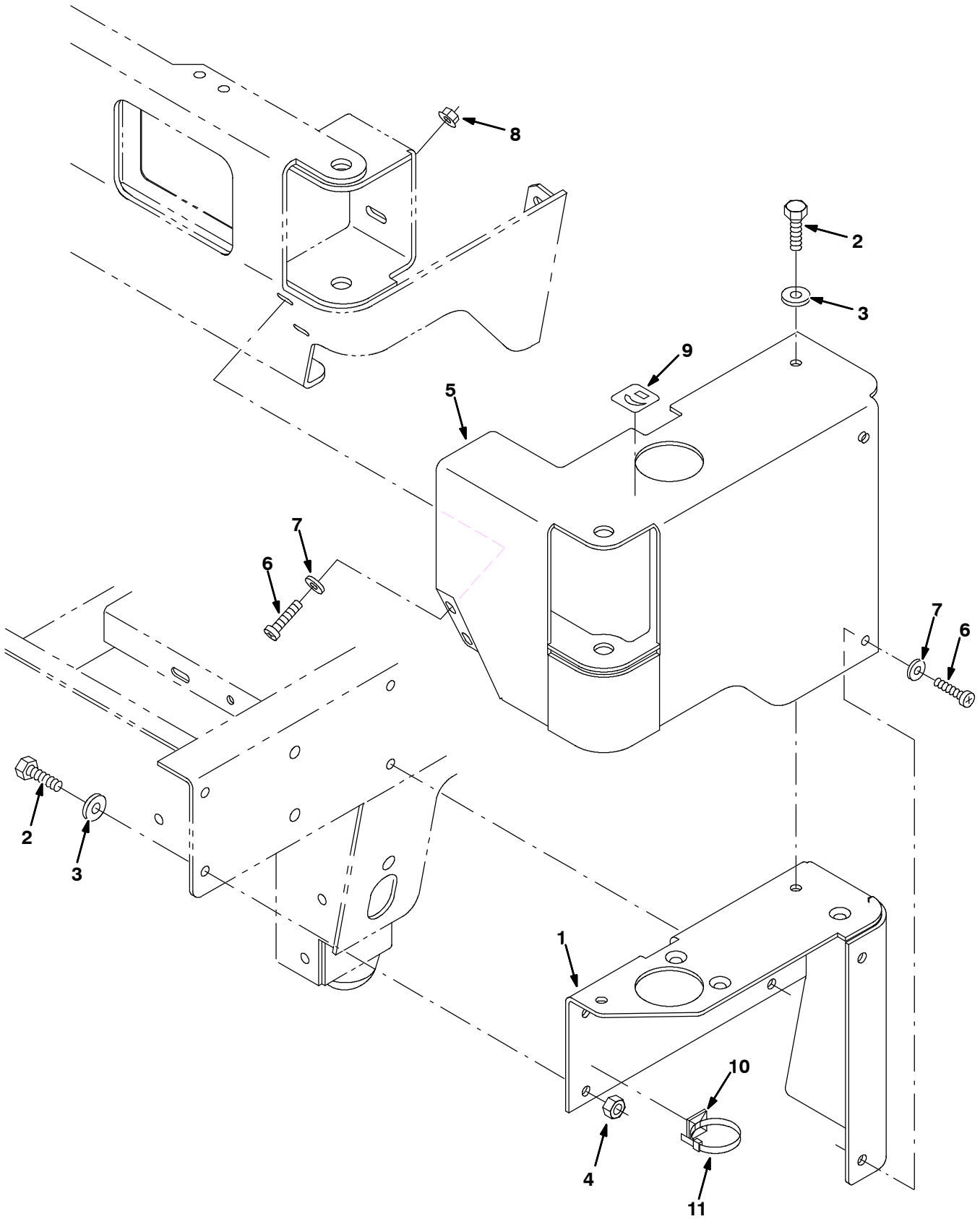
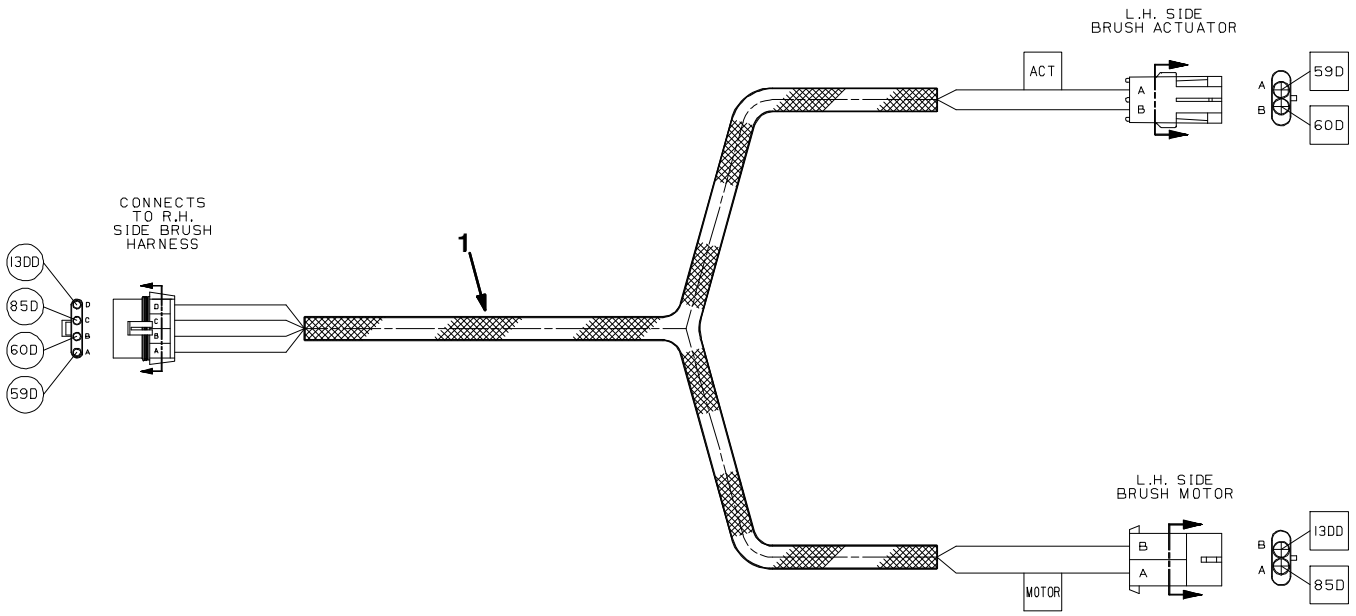


Fig. 22 - Left Side Brush Mount Group

Ref.	Tennant Part No.	Machine Serial Number	Description	Qty.
1	387560	(000000-004999 )	Bracket, Hsng, Brush	1
1	1056398	(005000-	Bracket, Hsng, Brush, Iron Gray	1
2	09028	(000000-	Screw, Hex, M10 X 1.5 X 25, Ss	5
3	01686	(000000-	Washer, Flat, .38 Ss	5
4	41430	(000000-	Nut, Hex, Lock, M10 X 1.5, NI	2
5	387530	(000000-004999 )	Housing Wldt, Brush	1
5	1056396	(005000-	Housing Wldt, Brush, Iron Gray	1
6	223470	(000000-	Screw, Btn, M08 X 1.25 X 25, Ss	4
7	01685	(000000-	Washer, Flat, .31 Ss	4
8	07791	(000000-	Nut, Hex, Fing, M08 X 1.25	2
9	387405	(000000-	Label, Brush, Side, Adj	1
10	55248	(000000-	Mount, Cable Tie	1
11	49266	(000000-	Tie, Cable, Nyl, 07.3l .19w 1.8 Max D	2

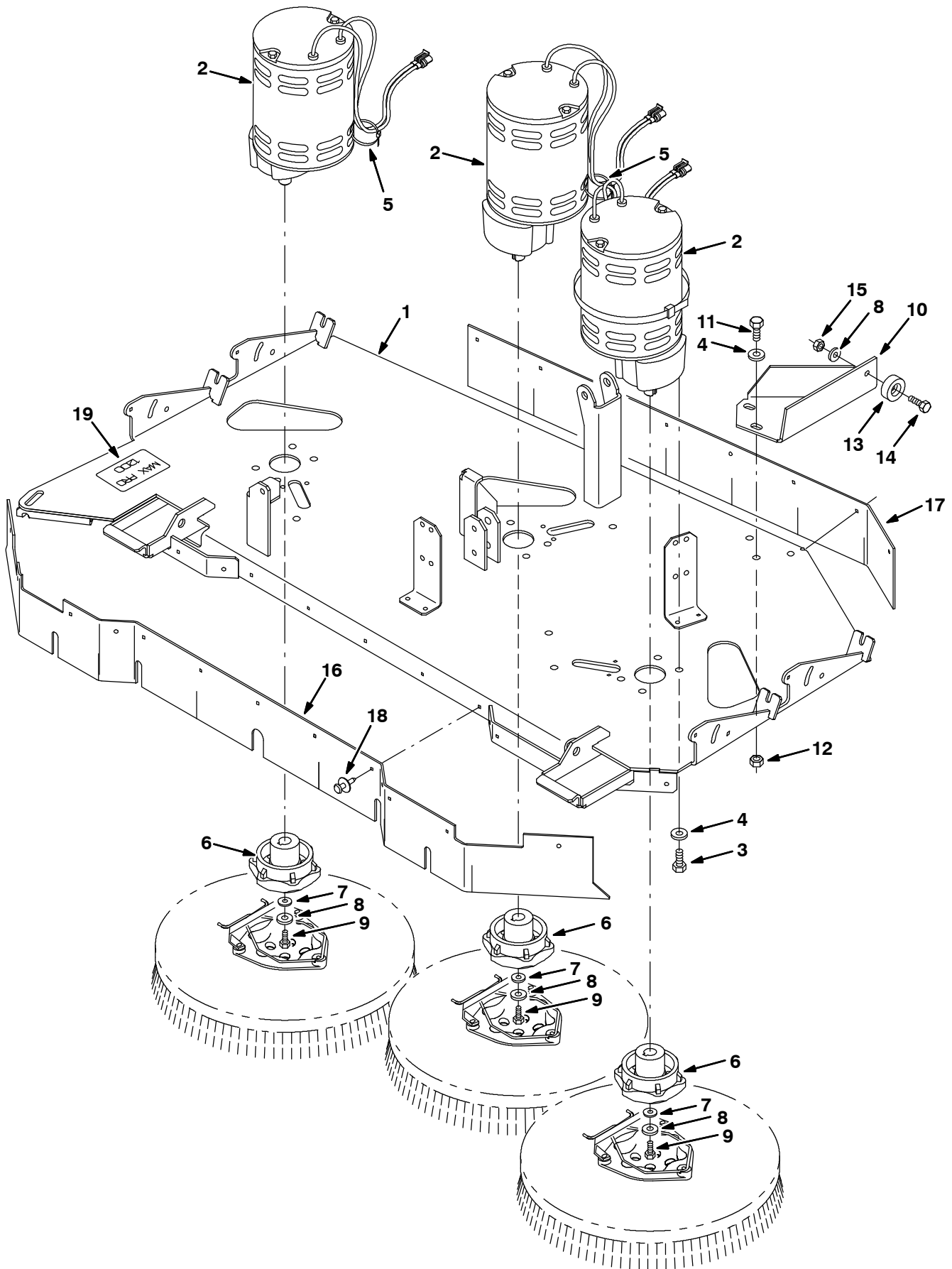
Fig. 23 - Left Side Brush Wire Harness Group



**Fig. 23 - Left Side Brush Wire Harness Group**

<b>Ref.</b>	<b>Tennant Part No.</b>	<b>Machine Serial Number</b>	<b>Description</b>	<b>Qty.</b>
1	387629	(000000-	) Harness, Brush, Side, Lh [7300]	1

Fig. 24 - Max Pro 1200 (Disc-Brush) Scrub Head Frame Group



**Fig. 24 - Max Pro 1200 (Disc-Brush) Scrub Head Frame Group**

<b>Ref.</b>	<b>Tennant Part No.</b>	<b>Machine Serial Number</b>	<b>Description</b>	<b>Qty.</b>
1	1056902	(000000-	) Frame Wldt, Scb Head, 3 Brush, Ele, Gray	1
2	386687	(000000-	) Motor, Gear, Ele, 1.0hp, 36vdc, 300rpm (See Breakdown)	3
3	34195	(000000-	) Screw, Hex, .38-16 X 1.00, NI	12
4	01686	(000000-	) Washer, Flt, .38 Ss	15
5	49263	(000000-	) Tie, Cable, Nyl, 11.4l .19w 3.0 Max D	3
6	377364	(000000-	) Hub, Drive, Brush, Disk, 0.75B 6T	3
7	41186	(000000-	) Washer, Belleville, .31	3
8	01685	(000000-	) Washer, Flt, .31 Ss	4
9	32124	(000000-	) Screw, Hex, .31-18 X 1.00, Ss, NI	3
10	1056841	(000000-	) Bracket, Stop, Frame, Iron Gray	1
11	09028	(000000-	) Screw, Hex, M10 X 1.5 X 25, Ss	3
12	08714	(000000-	) Nut, Hex, Lock, M10 X 1.5, NI, Ss	3
13	15023	(000000-	) Bumper, Pye	1
14	09010	(000000-	) Screw, Hex, M08 X 1.25 X 25, Ss	1
15	08713	(000000-	) Nut, Hex, Lock, M08 X 1.25,NI, Ss	1
16	386825	(000000-	) Skirt, Front, Scrub Head, 3-Brush, Ele	1
17	386826	(000000-	) Skirt, Rear, Scrub Head, 3-Brush, Ele	1
18	72968	(000000-	) Rivet, Plstc, .250 X 0.898	21
19	365156	(000000-	) Label Set, Info/Hzrd, [Maxpro]	1

**Fig. 25 - Max Pro 1200 (Disc-Brush) Scrub Head Linkage Group**

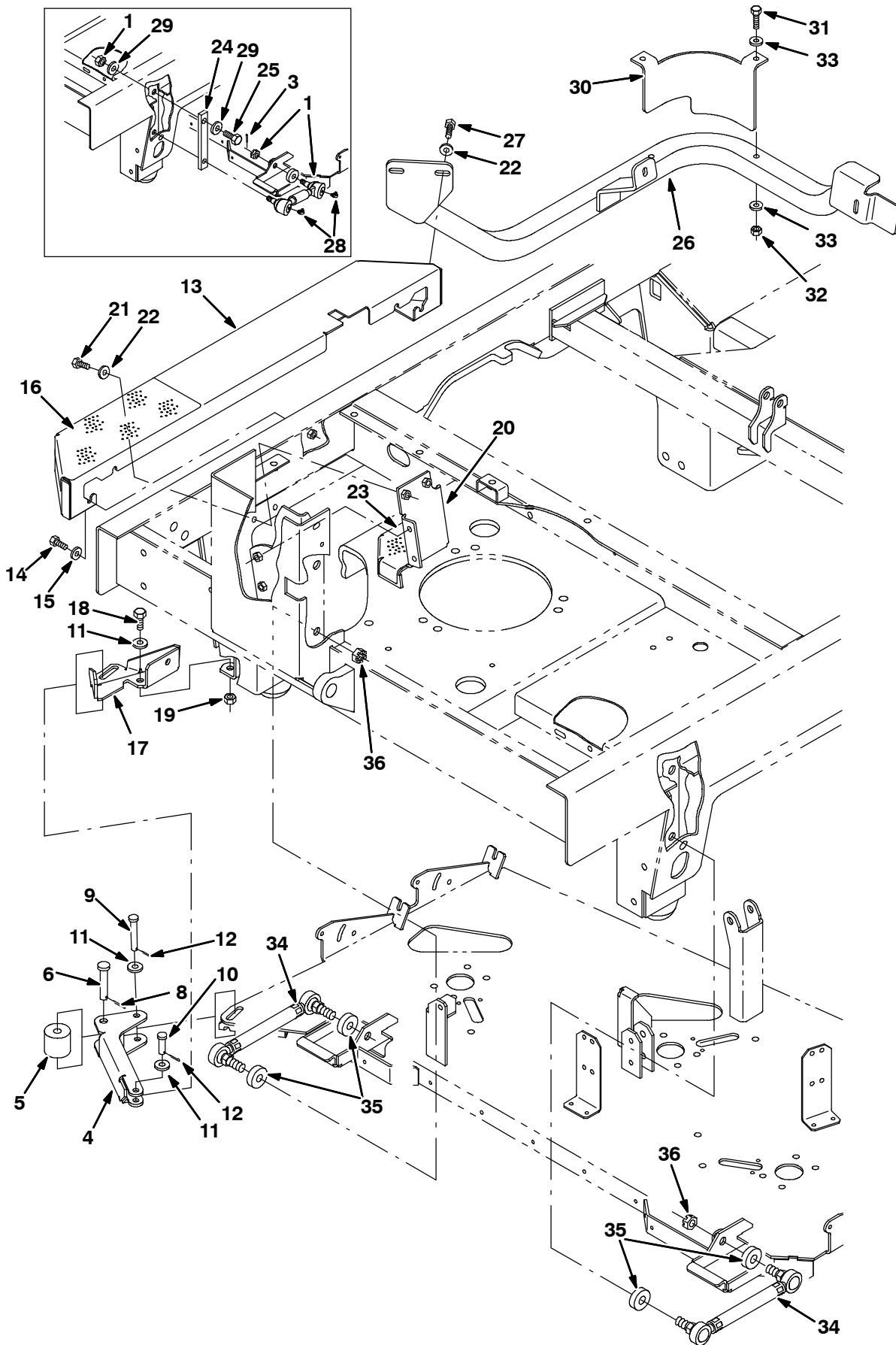
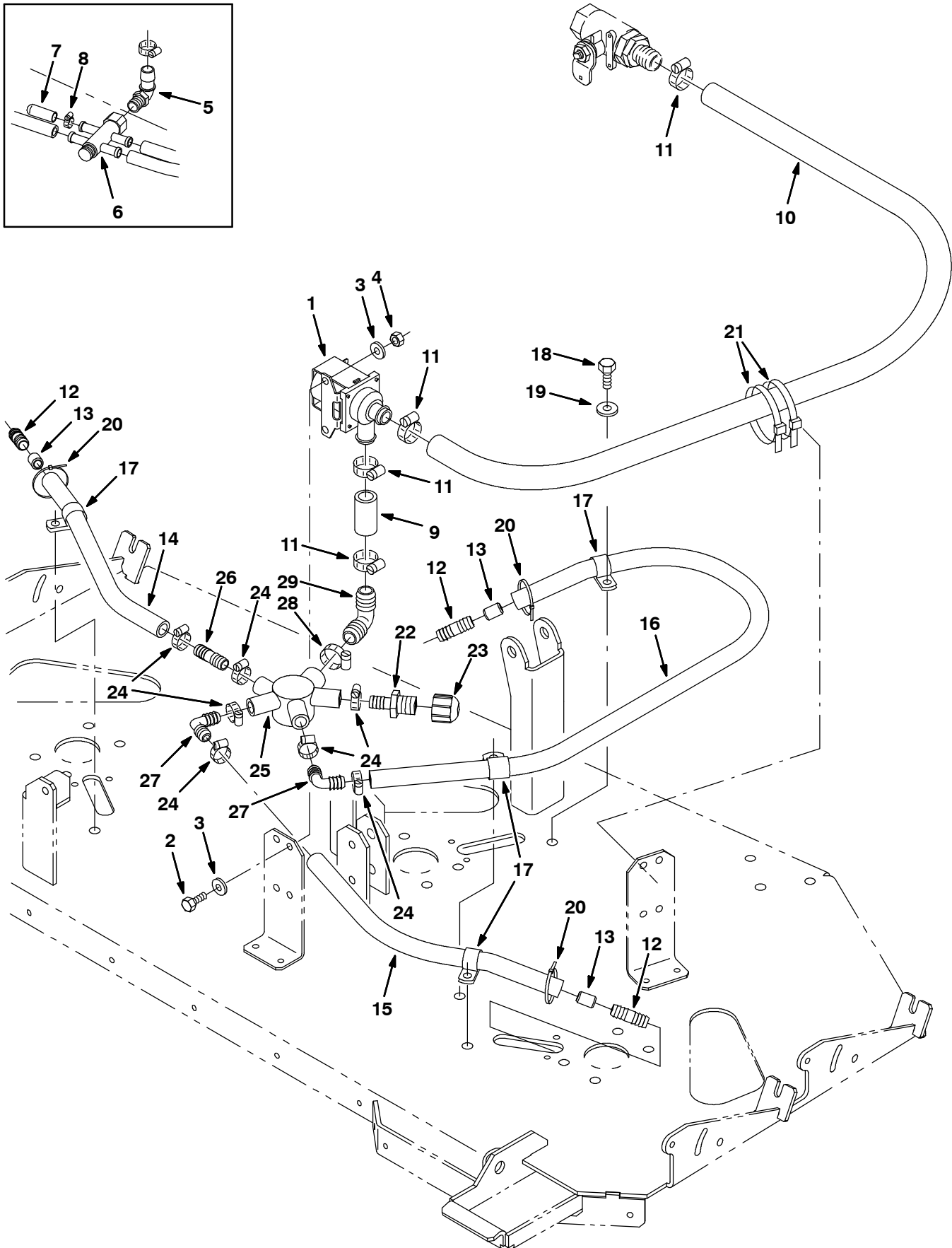




Fig. 25 - Max Pro 1200 (Disc-Brush) Scrub Head Linkage Group

Ref.	Tennant Part No.	Machine Serial Number	Description	Qty.
1	363113	(000000-003695 )	Link Wldt, Head, Drag (Replaced by 9005751)	2
2	14524	(000000-003695 )	Spacer, Washer	2
3	08346	(000000-003695 )	Pin, Cotter, .125 X 0.75	4
4	1001099	(000000-004999 )	Guard, Kick In, Scb Head	1
4	1056390	(005000- )	Guard, Kick In, Scb Head, Iron Gray	1
5	72946	(000000- )	Roller	1
6	06279	(000000- )	Pin, Clevis, 0.50 D X 2.50I	1
7	08711	(000000-003695 )	Nut, Hex, Std, M12 X 2.0	2
8	08182	(000000- )	Pin, Cotter, .125 X 1.00	1
9	365180	(000000- )	Pin, Clevis, 0.38 D X 2.50I	1
10	29557	(000000- )	Pin, Clevis, 0.37 D X 1.31I	1
11	01686	(000000- )	Washer, Flt, .38 Ss	4
12	39005	(000000- )	Pin, Cotter, .094 X 0.75	2
13	386827	(000000-004999 )	Bumper, Side, Scb Head, Wide	1
13	1056681	(005000- )	Bumper, Side, Scb Head, Wide, Iron Gray	1
14	09740	(000000- )	Screw, Hex, M08 X 1.25 X 20, Ss	4
15	32491	(000000- )	Washer, Flt, .31 Std	6
16	387080	(000000- )	Tread, Floor, 12.5 X 5.75	1
17	386876	(000000-004999 )	Bracket, Adaptor, Mtg, Kick In, Frame	1
17	1056505	(005000- )	Bracket, Adapter, Mtg, Kick In, Frame	1
18	09028	(000000- )	Screw, Hex, M10 X 1.5 X 25, Ss	2
19	08714	(000000- )	Nut, Hex, Lock, M10 X 1.5, NI, Ss	1
20	387162	(000000-004999 )	Bracket	1
20	1056516	(005000- )	Bracket, Step, Iron Gray	1
21	09740	(000000- )	Screw, Hex, M08 X 1.25 X 20, Ss	4
22	01685	(000000- )	Washer, Flt, .31 Ss	8
23	387230	(000000- )	Tread, Step	1
24	24254	(000000-003695 )	Spacer, Plate	2
25	06969	(000000-003695 )	Screw, Hex, M12 X 1.75 X 40, 8.8	2
26	387245	(000000-004999 )	Guard Wldt, Sqge (MP 20)	1
26	1056517	(005000- )	Guard Wldt, Sqge, Rear, Gray	1
27	09010	(000000- )	Screw, Hex, M08 X 1.25 X 25, Ss	4
28	09718	(000000-003695 )	Fitting, Grease, E90 Pm04 .75L	4
29	32486	(000000-003695 )	Washer, Flt, .50 Sae	4
▽	374250	(000000-004999 )	Guard Kit, Sqge, Rear, Ci [7300/8300]	1
▲	30 1007486	(000000-004999 )	Guard, Bumper	1
▲	31 39278	(000000-004999 )	Screw, Hex, M8 X 1.25 X 50, 8.8	2
▲	32 08713	(000000-004999 )	Nut, Hex, Lock, M8 X 1.25, NI, Ss	2
▲	33 32491	(000000-004999 )	Washer, Flat, 0.31, Std	4
▽	9006924	(005000- )	Guard Kit, Sqge, Rear, Iron Gray, Ci	1
▲	30 1057073	(005000- )	Guard, Bumper	1
▲	31 39278	(005000- )	Screw, Hex, M8 X 1.25 X 50, 8.8	2
▲	32 08713	(005000- )	Nut, Hex, Lock, M8 X 1.25, NI, Ss	2
▲	33 32491	(005000- )	Washer, Flat, 0.31, Std	4
34	1050193	(003696- )	Link Assy, Rod-End, .63-18	2
35	1057066	(003696- )	Tube, 0.69id 1.25od 00.4I, Rod-End, Gray	4
36	40814	(003696- )	Nut, Hex, Lock, .62-18, NI, Thin	4

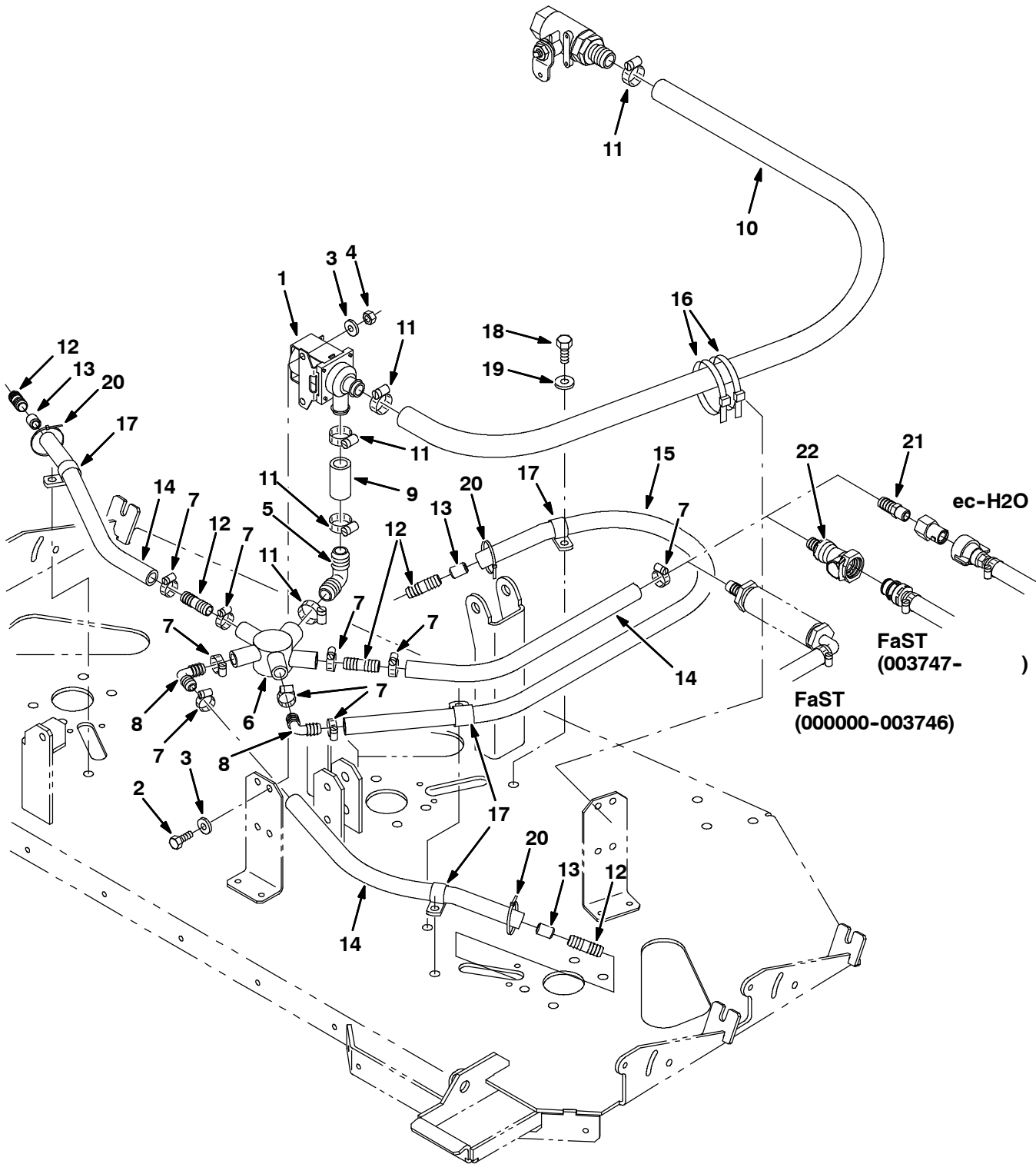
Fig. 26 - Max Pro 1200 (Disc-Brush) Solution Valve Group



**Fig. 26 - Max Pro 1200 (Disc-Brush) Solution Valve Group**

<b>Ref.</b>	<b>Tennant Part No.</b>	<b>Machine Serial Number</b>	<b>Description</b>	<b>Qty.</b>
1	84028	(000000-	) Valve, Water	1
2	15678	(000000-	) Screw, Hex, M06 X 1.0 X 16, Ss	2
3	32490	(000000-	) Washer, Flt, .25 Std	4
4	08712	(000000-	) Nut, Hex, Lock, M06 X 1.0, NI, Ss	2
5	63244-2	(000000-001986	) Fitting, Plstc, E90, Bm12/Pm08	1
6	72950	(000000-001986	) Manifold, Plastic	1
7	20807	(000000-001986	) Cap, Neoprene Black	1
8	54333	(000000-001986	) Clamp, Hose, Wormdrive, 0.31-0.88d	1
9	16914	(000000-	) Hose, Pvc, Brd, 0.75id 1.00od 02.00l	1
10	73474	(000000-	) Hose, Pvc, Brd, 0.75id 1.00od 44.50l	1
11	63810	(000000-	) Clamp, Hose, Wormdrive, 0.56-1.06d, .56w	4
12	364631	(000000-	) Fitting, Plstc, Str, Bm08/Bm08	3
13	77334	(000000-	) Fitting, Plstc, Rst, .50od/.31id	3
14	49142	(000000-	) Hose, Pvc, Brd, 0.50id 0.80od 18.00l	1
15	223515	(000000-	) Hose, Pvc, Brd, 0.50id 0.75od 14.00l	1
16	385682	(000000-	) Hose, Pvc, Brd, 0.50id 0.73od 33.00l	1
17	67767	(000000-	) Clamp, Cable, Stl, 0.69d X 0.62w, 1h	4
18	12273	(000000-	) Screw, Hex, M08 X 1.25 X 20, Ss, NI	4
19	01685	(000000-	) Washer, Flt, .31 Ss	4
20	49266	(000000-	) Tie, Cable, Nyl, 07.3l .19w 1.8 Max D	3
21	44961	(000000-	) Tie, Cable, Nyl, 14.5l .30w 4.0 Max D	2
22	79273-4	(001987-	) Fitting, Plstc, Str, Bm08/Pm08	1
23	1015558	(001987-	) Fitting, Plstc, Cap, Pf08	1
24	54333	(001987-	) Clamp, Hose, Wormdrive, 0.31-0.88d	7
25	1012528	(001987-	) Manifold, Soltn, Cntrl	1
26	364631	(001987-	) Fitting, Plstc, Str, Bm08/Bm08	1
27	63987-1	(001987-	) Fitting, Plstc, E90, Bm08/Bm08	2
28	86824	(001987-	) Clamp, Hose, Wormdrive, 0.50-1.06d	1
29	40566	(001987-	) Fitting, Plstc, E90, Bm12/Bm12	1

**Fig. 27 - Max Pro 1200 (Disc-Brush) Solution Valve Group (FaST/ec-H2O)**



**Fig. 27 - Max Pro 1200 (Disc-Brush) Solution Valve Group (FaST/ec-H2O)**

<b>Ref.</b>	<b>Tennant Part No.</b>	<b>Machine Serial Number</b>	<b>Description</b>	<b>Qty.</b>
1	84028	(000000-	) Valve, Water	1
2	15678	(000000-	) Screw, Hex, M06 X 1.0 X 16, Ss	2
3	32490	(000000-	) Washer, Flt, .25 Std	4
4	08712	(000000-	) Nut, Hex, Lock, M06 X 1.0, NI, Ss	2
5	40566	(000000-	) Fitting, Plstc, E90, Bm12/Bm12	1
6	1012528	(000000-	) Manifold, Soltn, Cntrl	1
7	54333	(000000-	) Clamp, Hose, Wormdrive, 0.31-0.88d	9
8	63987-1	(000000-	) Fitting, Plstc, E90, Bm08/Bm08	2
9	1015048	(000000-	) Hose, Afmkt, Pvc, Brd 0.75id 1 Ft	1
10	1015045	(000000-	) Hose, Afmkt, Pvc, Brd 0.75id 8 Ft	1
11	63810	(000000-	) Clamp, Hose, Wormdrive, 0.56-1.06d, .56w	5
12	364631	(000000-	) Fitting, Plstc, Str, Bm08/Bm08	5
13	77334	(000000-	) Fitting, Plstc, Rst, .50od/.31id	3
14	1011521	(000000-	) Hose, Afmkt Replmt, Pvc, Brd 0.50id 2 Ft	3
15	1006401	(000000-	) Hose, Afmkt Replmt, Pvc, Brd 0.50id 3 Ft	1
16	44961	(000000-	) Tie, Cable, Nyl, 14.5l .30w 4.0 Max D	2
17	67767	(000000-	) Clamp, Cable, Stl, 0.69d X 0.62w, 1h	4
18	12273	(000000-	) Screw, Hex, M08 X 1.25 X 20, Ss, NI	4
19	01685	(000000-	) Washer, Flt, .31 Ss	4
20	49266	(000000-	) Tie, Cable, Nyl, 07.3l .19w 1.8 Max D	3
21	48610	(000000-	) Fitting, Plstc, Str, Bm08/Pm04 (ec-H2O)	1
22	1017413	(003747-	) Housing, Cplg, Qf / Pm08 (FaST)	1

Fig. 28 - Max Pro 1200 (Disc-Brush) Edge Scrub Group

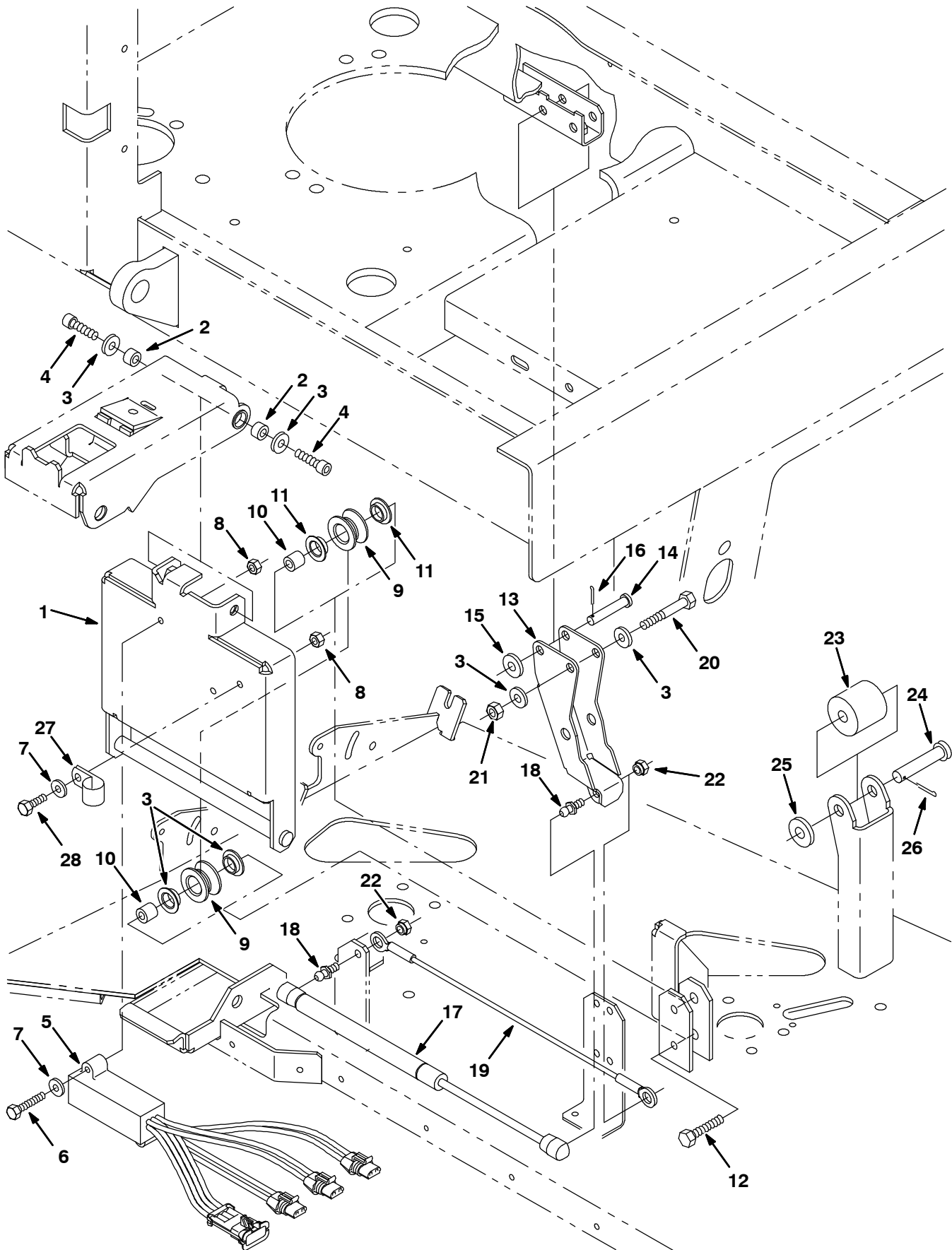


Fig. 28 - Max Pro 1200 (Disc-Brush) Edge Scrub Group

Ref.	Tennant Part No.	Machine Serial Number	Description	Qty.
1	1056844	(000000-	) Rail Wldt, Lift, Disk Head, Iron Gray	1
2	222556	(000000-	) Sleeve	2
3	01685	(000000-	) Washer, Flt, .31 Ss	4
4	39308	(000000-	) Screw, Hex, M08 X 1.25 X 25, Ss, NI	2
5	363238	(000000-	) Shunt, 3 Std Mtrs, Scrub 515, Yellow	1
6	33930	(000000-	) Screw, Hex, M06 X 1.0 X 40, Ss	2
7	01684	(000000-	) Washer, Flt, .25 Ss	3
8	08712	(000000-	) Nut, Hex, Lock, M06 X 1.0, NI, Ss	3
9	363120	(000000-	) Roller	2
10	222277	(000000-	) Sleeve	2
11	04843	(000000-	) Bushing, Flng, 0.63b 0.72d 0.25l	4
12	222505	(000000-	) Screw, Hex, M08 X 1.25 X 45, Ss	2
13	1056845	(000000-	) Arm Wldt, Pivot, Side, Gray [7300/8300]	1
14	29584	(000000-	) Pin, Clevis, 0.37 D X 2.00l	1
15	01686	(000000-	) Washer, Flt, .38 Ss	1
16	39005	(000000-	) Pin, Cotter, .094 X 0.75	1
17	364858	(000000-	) Gasspring, 56lb, 6.3strk	1
18	58494	(000000-	) Stud, Ball, .39d .31-16, Gasspring	2
19	364404	(000000-	) Cable, .13d, 15.5l, .50eye /.50eye	1
20	77270	(000000-	) Screw, Hex, M08 X 1.25 X 60, Ss	1
21	08713	(000000-	) Nut, Hex, Lock, M08 X 1.25,NI, Ss	1
22	14725	(000000-	) Nut, Retainer, .31-18	2
23	72946	(000000-	) Roller	1
24	06279	(000000-	) Pin, Clevis, 0.50 D X 2.50l	1
25	32493	(000000-	) Washer, Flt, .50 Std	1
26	08182	(000000-	) Pin, Cotter, .125 X 1.00	1
27	67767	(000000-	) Clamp, Cable, Stl, 0.69d X 0.62w, 1h	1
28	08716	(000000-	) Screw, Hex, M06 X 1.0 X 20, Ss	1

Fig. 29 - Max Pro 1200 (Disc-Brush) Right Side Squeegee Group

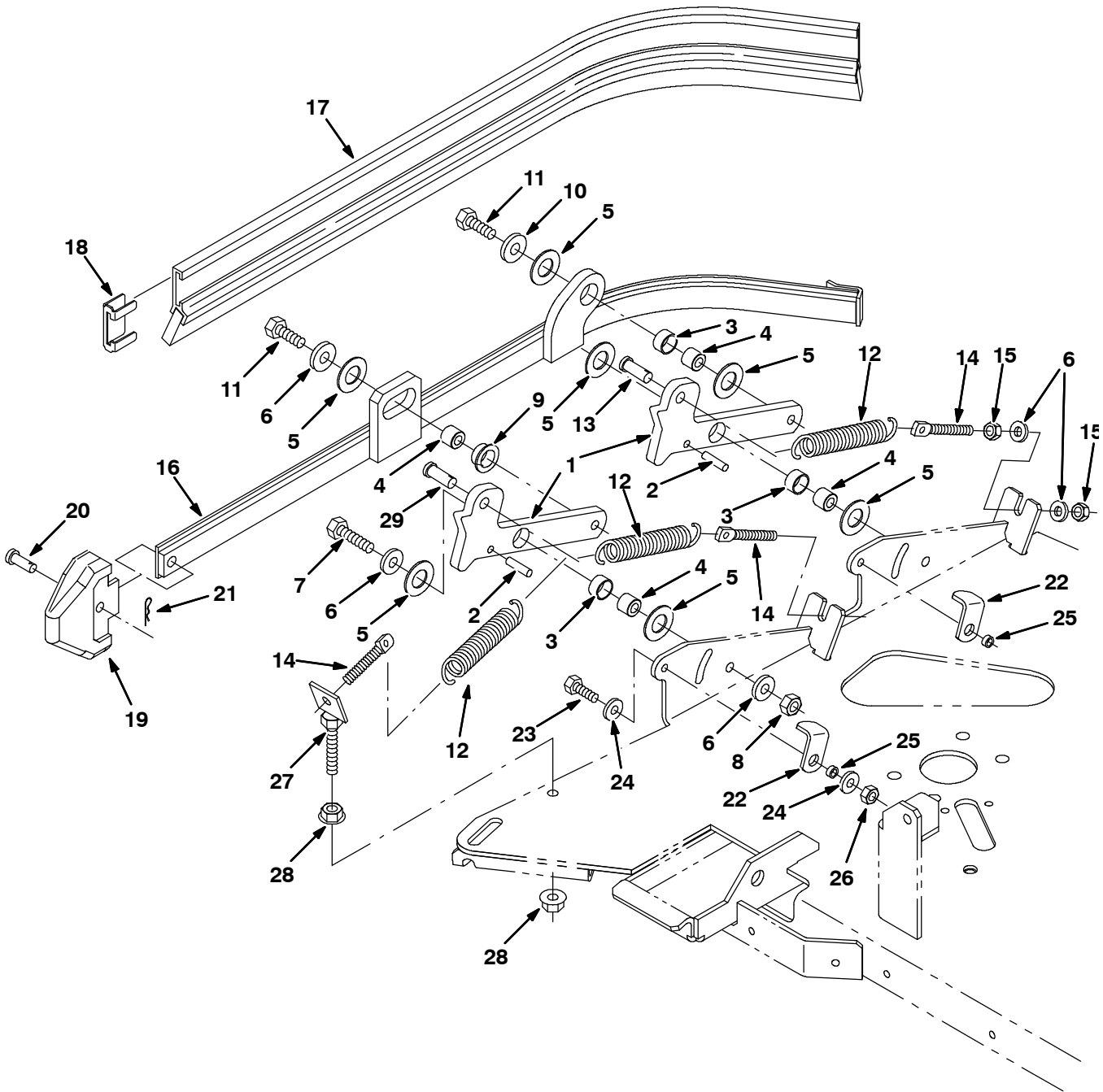
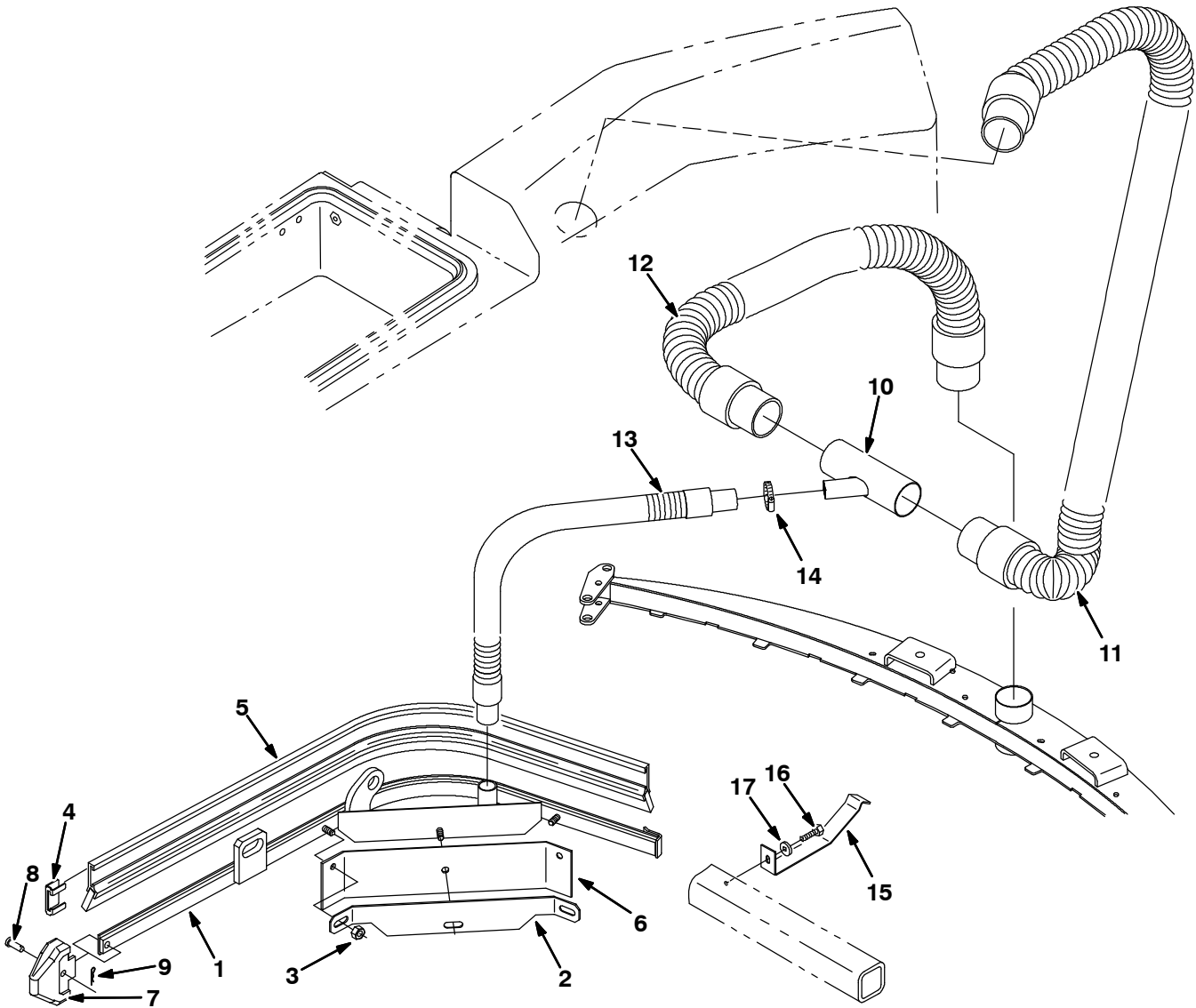




Fig. 29 - Max Pro 1200 (Disc-Brush) Right Side Squeegee Group

Ref.	Tennant Part No.	Machine Serial Number	Description	Qty.
1	1056863	(000000-	) Arm, Mtg, Side Sqge Frame, Ele	2
2	17404	(000000-	) Pin, Roll, .250 D X 0.75l, .250/.256	2
3	71607	(000000-	) Bushing, Sleeve, 0.63b 0.72d 0.38l	3
4	386356	(000000-	) Sleeve, .335b X .62d X .52l, Sst	4
5	64425	(000000-	) Washer, Thrust, 0.61b 1.25d .06, Fgl	7
6	01685	(000000-	) Washer, Flt, .31 Ss	7
7	09023	(000000-	) Screw, Hex, M08 X 1.25 X 35, Ss	2
8	08713	(000000-	) Nut, Hex, Lock, M08 X 1.25,NI, Ss	2
9	25735	(000000-	) Bushing, Flng, 0.63b 0.75d 0.38l	1
10	01686	(000000-	) Washer, Flt, .38 Ss	2
11	12333	(000000-	) Screw, Hex, M08 X 1.25 X 25, Ss, NI	2
12	87816	(000000-	) Spring, Extn, 0.75od X 0.09wir, 2.5l	3
13	76653	(000000-	) Pin, Clevis, 0.37 D X 1.00l	1
14	386088	(000000-	) Bolt, Eye, M8 X 1.25, 2.75l	3
15	07786	(000000-	) Nut, Hex, Std, M08 X 1.25, Ss	6
16	386263	(000000-	) Frame Wldt, Sqge, Side, Rh	1
17	386260	(000000-	) Squeegee, Side	1
18	86759	(000000-	) Retainer, Sqge	1
19	386986	(000000-	) Guide, Point, Side Sqge	1
20	386987	(000000-	) Pin, Clevis, 0.31d 0.88l	1
21	86866	(000000-	) Pin, Hair Cotter, 0.38 D .072 Wir	1
22	386391	(000000-	) Latch, Double Scrub, Side Sqge	2
23	08716	(000000-	) Screw, Hex, M06 X 1.0 X 20, Ss	2
24	01684	(000000-	) Washer, Flt, .25 Ss	4
25	80491	(000000-	) Sleeve	2
26	08712	(000000-	) Nut, Hex, Lock, M06 X 1.0, NI, Ss	2
27	1007632	(000000-	) Bracket Wldt, Mtg, Spring	1
28	27980	(000000-	) Nut, Hex, Flng, .38-16	2
29	29568	(000000-	) Angle, 1.00 0.75 .12t 00.8l Hr	1

Fig. 30 - Max Pro 1200 (Disc-Brush) Right Side Vacuumized Squeegee Group



**Fig. 30 - Max Pro 1200 (Disc-Brush) Right Side Vacuumized Squeegee Group**

<b>Ref.</b>	<b>Tennant Part No.</b>	<b>Machine Serial Number</b>	<b>Description</b>	<b>Qty.</b>
1	387509	(000000-	) Frame Assy, Sqge, Side, Vacuum, Rh	1
2	387516	(000000-	) Retainer, Blade, Front	1
3	08713	(000000-	) Nut, Hex, Lock, M08 X 1.25,NI, Ss	3
4	86759	(000000-	) Retainer, Sqge	1
5	387545	(000000-	) Blade Assy, Sqge, Side	1
6	387546	(000000-	) Blade, Squeegee	1
7	386986	(000000-	) Guide, Point, Side Sqge	1
8	386987	(000000-	) Pin, Clevis, 0.31 D X 0.88l	1
9	86866	(000000-	) Pin, Hair Cotter, 0.38 D .072 Wir	1
10	386518	(000000-	) Tube Wldt	1
11	386514	(000000-001702	) Hose, Vacuum, 58.5l	1
11	1005133	(001703-	) Hose Assy, W/2cuff, 2.0d 75l	1
12	387256	(000000-001702	) Hose, Vacuum, 35.0l	1
12	1005135	(001703-	) Hose Assy, W/2cuff, 2.0d 26l	1
13	387517	(000000-001702	) Hose Assy, W/2 Cuff, 1.0d 41.0l	1
13	398802	(001703-	) Hose Assy, W/2 Cuff, 1.0D 44L 1.0/1.0	1
14	11399	(000000-	) Clamp, Hose, Wormdrive, 0.81-1.50d	1
15	1002464	(001703-	) Bracket, Tube , Tee	1
16	361339	(001703-	) Screw, Hex, M 6 X 1.0 X 16, Fmg	1
17	32483	(001703-	) Washer, Flat, 0.25 Sae	1

Fig. 31 - Max Pro 1200 (Disc-Brush) Left Side Squeegee Group

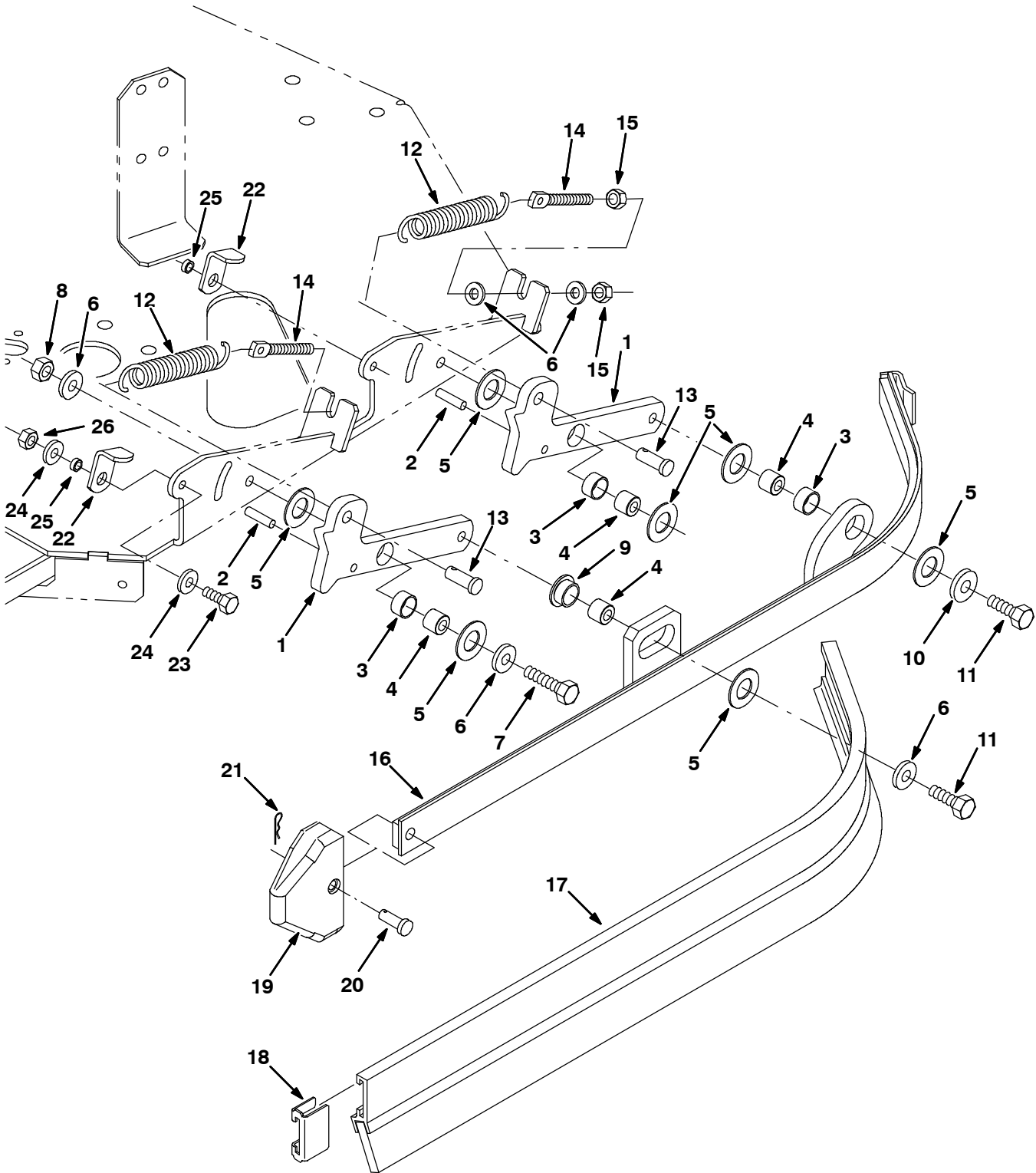


Fig. 31 - Max Pro 1200 (Disc-Brush) Left Side Squeegee Group

Ref.	Tennant Part No.	Machine Serial Number	Description	Qty.
1	1056863	(000000-	) Arm, Mtg, Side Sqge Frame, Ele, Gray	2
2	17404	(000000-	) Pin, Roll, .250 D X 0.75l, .250/.256	2
3	71607	(000000-	) Bushing, Sleeve, 0.63b 0.72d 0.38l	3
4	386356	(000000-	) Sleeve, .335b X .62d X .52l, Sst	4
5	64425	(000000-	) Washer, Thrust, 0.61b 1.25d .06, Fgl	7
6	01685	(000000-	) Washer, Flt, .31 Ss	7
7	09023	(000000-	) Screw, Hex, M08 X 1.25 X 35, Ss	2
8	08713	(000000-	) Nut, Hex, Lock, M08 X 1.25, NI, Ss	2
9	25735	(000000-	) Bushing, Flng, 0.63b 0.75d 0.38l	1
10	01686	(000000-	) Washer, Flt, .38 Ss	2
11	12333	(000000-	) Screw, Hex, M08 X 1.25 X 25, Ss, NI	2
12	87816	(000000-	) Spring, Extn, 0.75od X 0.09wir, 2.5l	2
13	76653	(000000-	) Pin, Clevis, 0.37 D X 1.00l	2
14	386088	(000000-	) Bolt, Eye, M8 X 1.25, 2.75l	2
15	07786	(000000-	) Nut, Hex, Std, M08 X 1.25, Ss	4
16	386262	(000000-	) Frame Wldt, Sqge, Side, Lh	1
17	386260	(000000-	) Squeegee, Side	1
18	86759	(000000-	) Retainer, Sqge	1
19	386986	(000000-	) Guide, Point, Side Sqge	1
20	386987	(000000-	) Pin, Clevis, 0.31d 0.88l	1
21	86866	(000000-	) Pin, Hair Cotter, 0.38 D .072 Wir	1
22	386391	(000000-	) Latch, Double Scrub, Side Sqge	2
23	08716	(000000-	) Screw, Hex, M06 X 1.0 X 20, Ss	2
24	01684	(000000-	) Washer, Flt, .25 Ss	4
25	80491	(000000-	) Sleeve	2
26	08712	(000000-	) Nut, Hex, Lock, M06 X 1.0, NI, Ss	2

Fig. 32 - Max Pro 1000 (Cylindrical Brush) Scrub Head Frame and Linkage Group

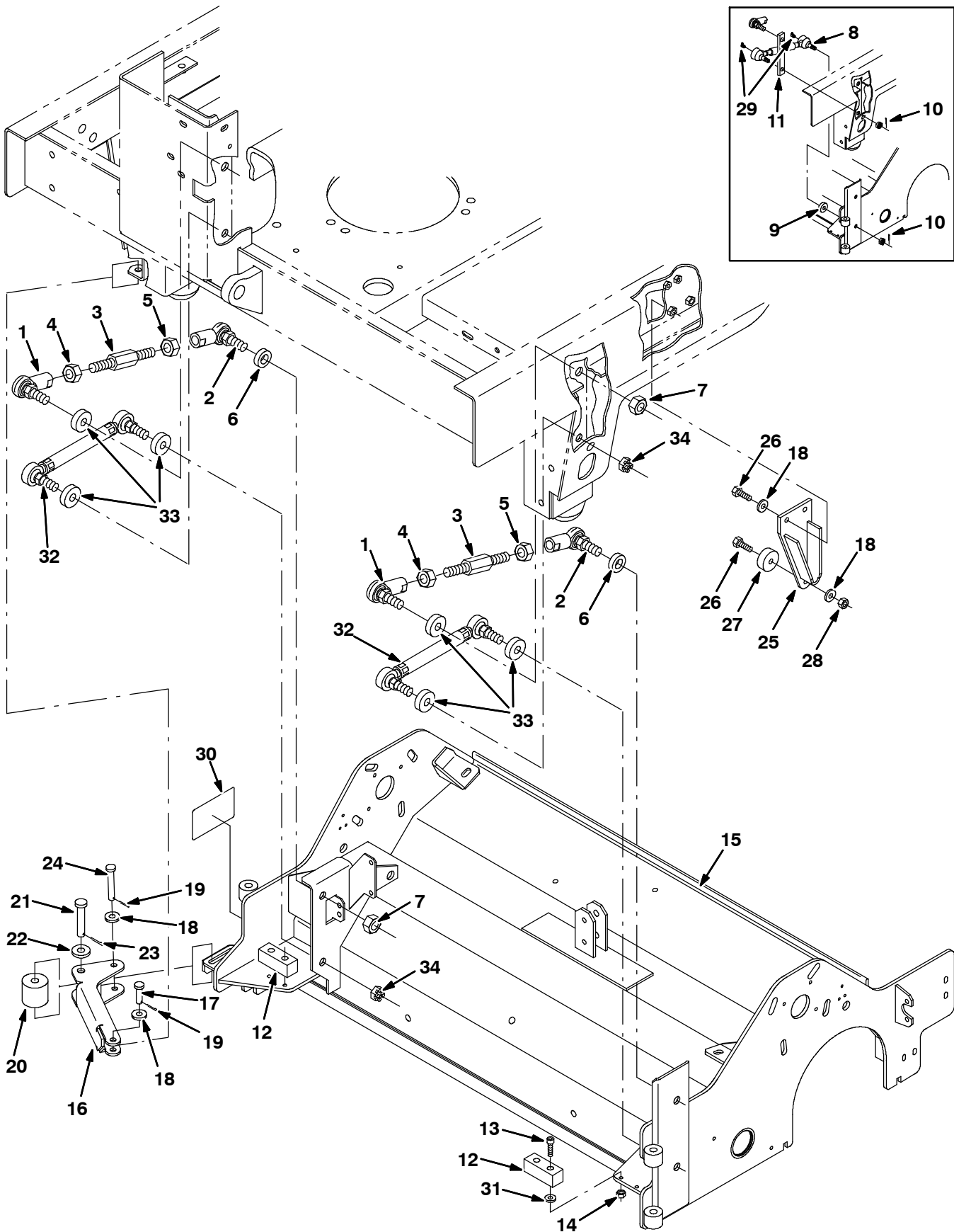
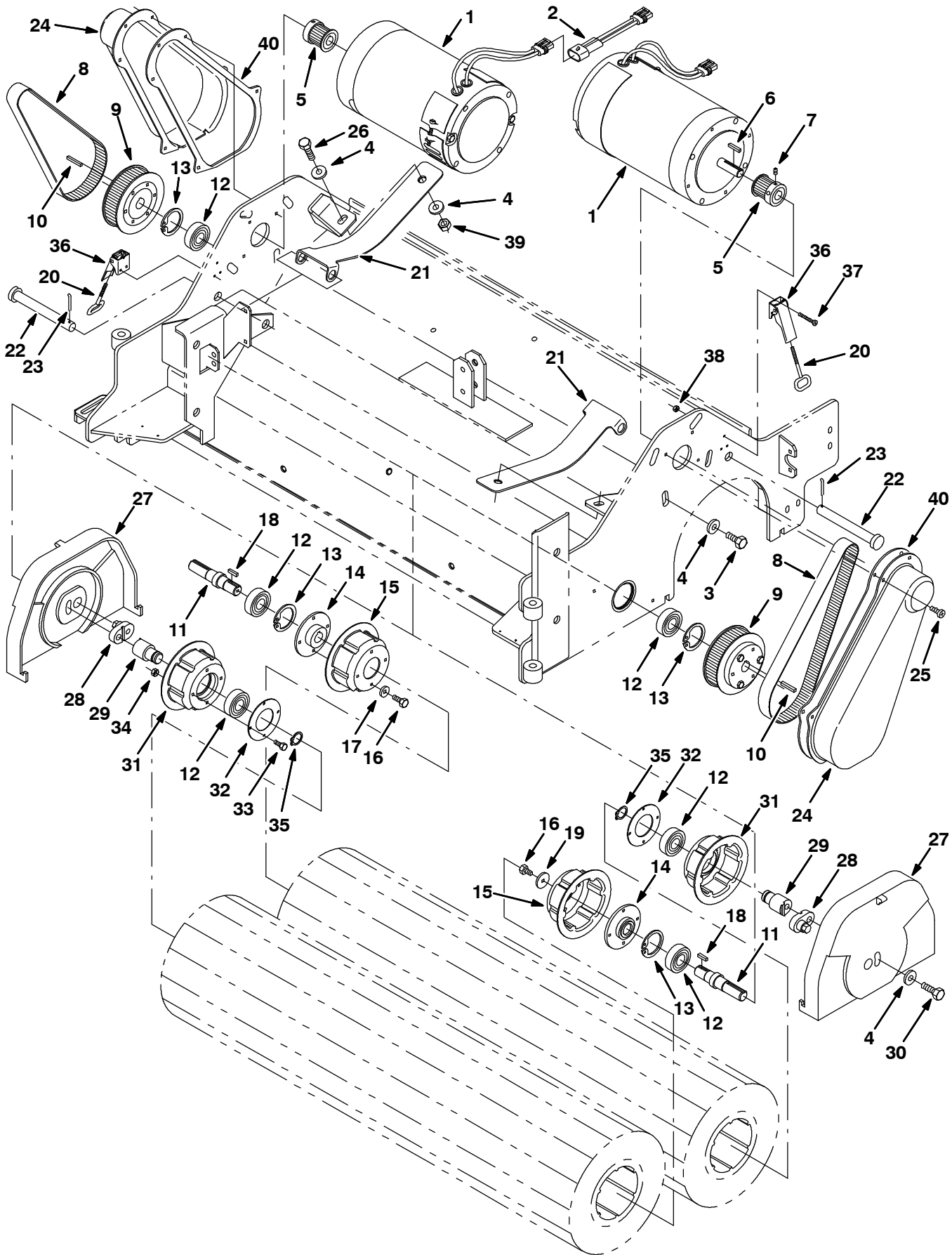


Fig. 32 - Max Pro 1000 (Cylindrical Brush) Scrub Head Frame and Linkage Group

Ref.	Tennant Part No.	Machine Serial Number	Description	Qty.
1	77275	(000000-	) Rod-End, .62-18rh Fem 0.50-18stud	2
2	386070	(000000-	) Rod-End, .625-18, Lh	2
3	386071	(000000-	) Rod, Link	2
4	77276	(000000-	) Nut, Hex, Jam, .62-18, Ss	2
5	77277	(000000-	) Nut, Hex, Jam, .62-18, Ss, Lh	2
6	386081	(000000-	) Spacer, Rod-End	2
7	40814	(000000-	) Nut, Hex, Lock, .62-18, NI, Thin	4
8	363113	(000000-003695	) Link Wldt, Head, Drag (Replaced by 9005751)	2
9	14524	(000000-003695	) Spacer, Washer	2
10	08346	(000000-003695	) Pin, Cotter, .125 X 0.75	4
11	386844	(000000-003695	) Spacer, Plate	2
12	386865	(000000-	) Bumper	2
13	24198	(000000-	) Screw, Pan, M05 X 0.8 X 25, Ss	4
14	09739	(000000-	) Nut, Hex, Lock, M05 X 0.8, NI, Ss	4
15	1056848	(000000-	) Housing Wldt, Brush, Iron Gray	1
16	1001099	(000000-004999	) Guard, Kick In, Scb Head	1
16	1056390	(005000-	) Guard, Kick In, Scb Head, Iron Gray	1
17	29557	(000000-	) Pin, Clevis, 0.37 D X 1.31l	1
18	01686	(000000-	) Washer, Flt, .38 Ss	5
19	39005	(000000-	) Pin, Cotter, .094 X 0.75	2
20	72946	(000000-	) Roller	1
21	06279	(000000-	) Pin, Clevis, 0.50 D X 2.50l	1
22	32493	(000000-	) Washer, Flt, .50 Std	1
23	08182	(000000-	) Pin, Cotter, .125 X 1.00	1
24	365180	(000000-	) Pin, Clevis, 0.38 D X 2.50l	1
25	1056494	(000000-	) Plate Wldt, Stop, Iron Gray	1
26	09010	(000000-	) Screw, Hex, M08 X 1.25 X 25, Ss	3
27	15023	(000000-	) Bumper, Pye	1
28	08713	(000000-	) Nut, Hex, Lock, M08 X 1.25,NI, Ss	1
29	09718	(000000-003695	) Fitting, Grease, E90 Pm04 .75L	4
30	365156	(000000-	) Label Set, Info/Hzrd, [Max Pro]	1
31	13248	(000000-	) Washer, 0.40B 1.12D .12, Stl, Pl	4
32	1050193	(003696-	) Link Assy, Rod-End, .63-18	2
33	1057066	(003696-	) Tube, 0.69id 1.25od 00.4l, Rod-End, Gray	6
34	40814	(003696-	) Nut, Hex, Lock, .62-18, NI, Thin	4

**Fig. 33 - Max Pro 1000 (Cylindrical Brush) Scrub Head Drive Group**





**Fig. 33 - Max Pro 1000 (Cylindrical Brush) Scrub Head Drive Group**

Ref.	Tennant Part No.	Machine Serial Number	Description	Qty.	
1	386050	(000000-002093 )	Motor, Ele, 36vdc 1500rpm 1.5hp (See Breakdown) (Repl By 377398)	2	
▽	1	377398	(002094- )	Motor, Ele, 36vdc 1.50hp 1500rpm 43.0a	2
▲	621478	(002094- )	Brush, Carbon	2	
2	363468	(000000- )	Wire Assy, Jumper Reverse, [515]	1	
3	09291	(000000- )	Screw, Hex, M10 X 1.5 X 20, Ss	8	
4	01686	(000000- )	Washer, Flt, .38 Ss	14	
5	83052	(000000- )	Sprocket, Timing, 23tooth, 0.625b	2	
6	00912	(000000- )	Key, Sq, 0.19 X 0.19, 01.00l	2	
7	39323	(000000- )	Screw, Set, #10-32 X 0.38, Al	4	
8	386053	(000000- )	Belt, Drive (Cylindrical Brush)	2	
9	375301	(000000- )	Sprocket, Timing, 4.261pd, 68 Grv, Pl	2	
10	00918	(000000- )	Key, Sq, 0.19 X 0.19, 01.25l	2	
11	386058	(000000- )	Shaft, Drive, Brush	2	
12	46390	(000000- )	Bearing, Ball, 0.79b 1.85d 0.55w	6	
13	10464	(000000- )	Ring, Retaining, Int, 1.85d, Basic	4	
14	1056846	(000000- )	Hub Wldt, Drive, Brush, Iron Gray	2	
15	1056847	(000000- )	Plug, Drive, Brush, Spl, Iron Gray	2	
16	15678	(000000- )	Screw, Hex, M06 X 1.0 X 16, Ss	10	
17	01684	(000000- )	Washer, Flt, .25 Ss	8	
18	00911	(000000- )	Key, Sq, 0.19 X 0.19, 00.75l	2	
19	386063	(000000- )	Washer, 0.25b 1.12d .12, Ss	2	
20	386274	(000000- )	Hook Wldt, Latch	2	
21	1057089	(000000- )	Spring, Motor, Iron Gray	2	
22	386072	(000000- )	Pin, Clevis, .625 Dia X 5.25l	2	
23	02942	(000000- )	Pin, Hair Cotter, 0.62 D .120 Wir	2	
24	386066	(000000- )	Cover, Drive	2	
25	48732	(000000- )	Screw, Pan, M06 X 1.0 X 10, Ss	10	
26	12317	(000000- )	Screw, Hex, M10 X 1.5 X 30, Ss	2	
27	386080	(000000- )	Cover, Idler	2	
28	386841	(000000- )	Cam, Front	2	
29	386842	(000000- )	Cam, Rear	2	
30	12317	(000000- )	Screw, Hex, M10 X 1.5 X 30, Ss	2	
31	1057512	(000000- )	Plug, Drive, Brush, Spl, Iron Gray	2	
32	1056838	(000000- )	Retainer, Brg, Iron Gray	2	
33	09738	(000000- )	Screw, Hex, M05 X 0.8 X 12, Ss	8	
34	06549	(000000- )	Nut, Hex, Lock, M05 X 0.8, NI	8	
35	26428	(000000- )	Ring, Retaining, Ext, 0.75d, Hd	2	
36	386257	(000000- )	Latch	2	
37	09198	(000000- )	Screw, Pan, M04 X 0.7 X 35, Ss	6	
38	33932	(000000- )	Nut, Hex, Lock, M04 X 0.7, NI, Ss	6	
39	08714	(000000- )	Nut, Hex, Lock, M10 X 1.5, NI, SS	2	
40	1001062	(000000- )	Gasket, Cover	2	



**Fig. 34 - Max Pro 1000 (Cylindrical Brush) Solution Valve Group**

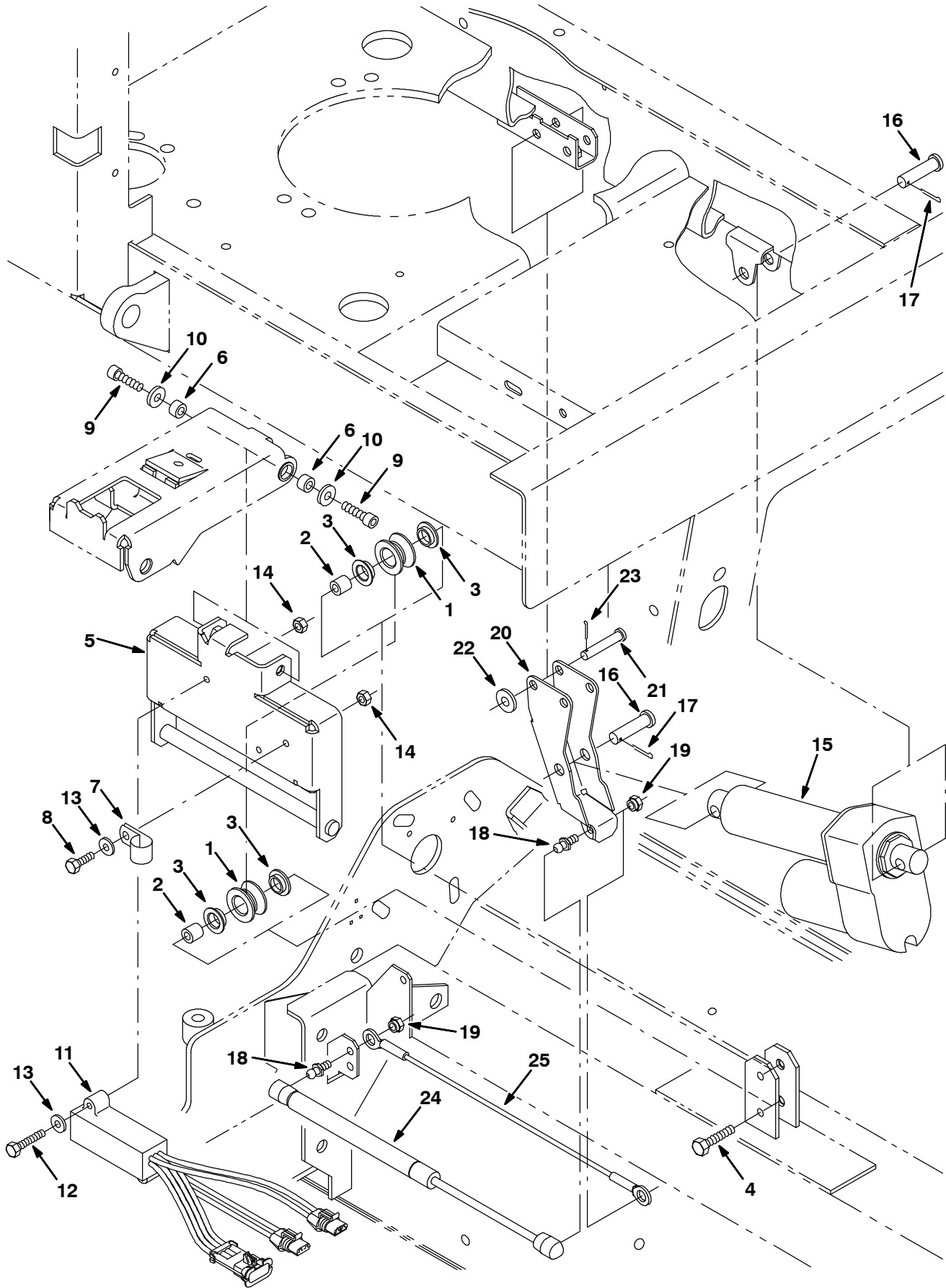
<b>Ref.</b>	<b>Tennant Part No.</b>	<b>Machine Serial Number</b>	<b>Description</b>	<b>Qty.</b>
1	84028	(000000-	) Valve, Water	1
2	15678	(000000-	) Screw, Hex, M06 X 1.0 X 16, Ss	2
3	01684	(000000-	) Washer, Flt, .25 Ss	2
4	08712	(000000-	) Nut, Hex, Lock, M06 X 1.0, NI, Ss	2
5	1056873	(000000-	) Angle, Iron Gray	2
6	69234	(000000-	) Clamp, Cable, Stl, 1.00d X 0.62w, 1h	3
7	15675	(000000-	) Screw, Hex, M08 X 1.25 X 16, Ss	7
8	08709	(000000-	) Nut, Hex, Lock, M08 X 1.25,NI	5
9	01685	(000000-	) Washer, Flt, .31 Ss	9
10	73474	(000000-	) Hose, Pvc, Brd, 0.75id 1.00od 44.50l	1
11	40566	(000000-	) Fitting, Plstc, E90, Bm12/Bm12	3
12	364899	(000000-	) Hose, Pvc, Brd, 0.75id 1.03od 01.50l	1
13	364896	(000000-	) Hose, Pvc, Brd, 0.75id 1.03od 11.00l	1
14	41315	(000000-	) Fitting, Plstc, Tee, Bm12/Bm12/Bm12	1
15	364895	(000000-	) Hose, Pvc, Brd, 0.75ID 1.03OD 05.00L	1
16	11399	(000000-	) Clamp, Hose, Wormdrive, 0.81-1.50d	6
17	16914	(000000-	) Hose, Pvc, Brd, 0.75ID 1.00OD 02.00L	1



**Fig. 35 - Max Pro 1000 (Cylindrical Brush) Solution Valve Group (FaST/ec-H2O)**

Ref.	Tennant Part No.	Machine Serial Number	Description	Qty.
1	84028	(000000-	) Valve, Water	1
2	15678	(000000-	) Screw, Hex, M06 X 1.0 X 16, Ss	2
3	01684	(000000-	) Washer, Flt, .25 Ss	2
4	08712	(000000-	) Nut, Hex, Lock, M06 X 1.0, NI, Ss	2
5	1056873	(000000-	) Angle, Iron Gray	2
6	69234	(000000-	) Clamp, Cable, Stl, 1.00d X 0.62w, 1h	2
7	15675	(000000-	) Screw, Hex, M08 X 1.25 X 16, Ss	5
8	08709	(000000-	) Nut, Hex, Lock, M08 X 1.25, NI	3
9	01685	(000000-	) Washer, Flt, .31 Ss	7
10	1015045	(000000-	) Hose, Afmkt, Pvc, Brd 0.75id 8 Ft	1
11	40566	(000000-	) Fitting, Plstc, E90, Bm12/Bm12	3
12	1015048	(000000-	) Hose, Afmkt, Pvc, Brd 0.75id 1 Ft	1
13	1011521	(000000-	) Hose, Afmkt Replmt, Pvc, Brd 0.50id 2 Ft	1
14	78398	(000000-	) Fitting, Plstc, Str, Bm12/Pm08, Nyl	1
15	1011403	(000000-	) Hose, Afmkt Replmt, Pvc, Brd 0.50id 1 Ft	1
16	11399	(000000-	) Clamp, Hose, Wormdrive, 0.81-1.50d	6
17	79572	(000000-	) Fitting, Plstc, E90, Pf08/Pf08	1
18	1010668	(000000-	) Fitting, Plstc, Y, Bm08/Bm08/Bm08 Nyl	1
19	1015097	(000000-	) Tube Assy, Spray Bar 40" [7300/8300]	1
20	07471	(000000-	) Clamp, Cable, Stl, 0.75d X 0.75w, 1h	1
21	1057531	(000000-	) Bracket, Bar, Spray, 40.0 [7300/8300]	1
22	49826	(000000-	) Screw, Hex, M8 X 1.25 X 16, Ss, NI	2
23	32492	(000000-	) Washer, Flat, 0.38 Std	2
24	79273-4	(000000-	) Fitting, Plstc, Str, Bm08/Pm08	1
25	64778	(000000-	) Fitting, Plstc, E90, Bm08/Pm06	1
26	54333	(000000-	) Clamp, Hose, Wormdrive, 0.31-0.88d	6
27	48610	(000000-	) Fitting, Plstc, Str, Bm08/Pm04 (ec-H2O)	1
28	1017413	(003747-	) Housing, Cplg, Qf / Pm08 (FaST)	1

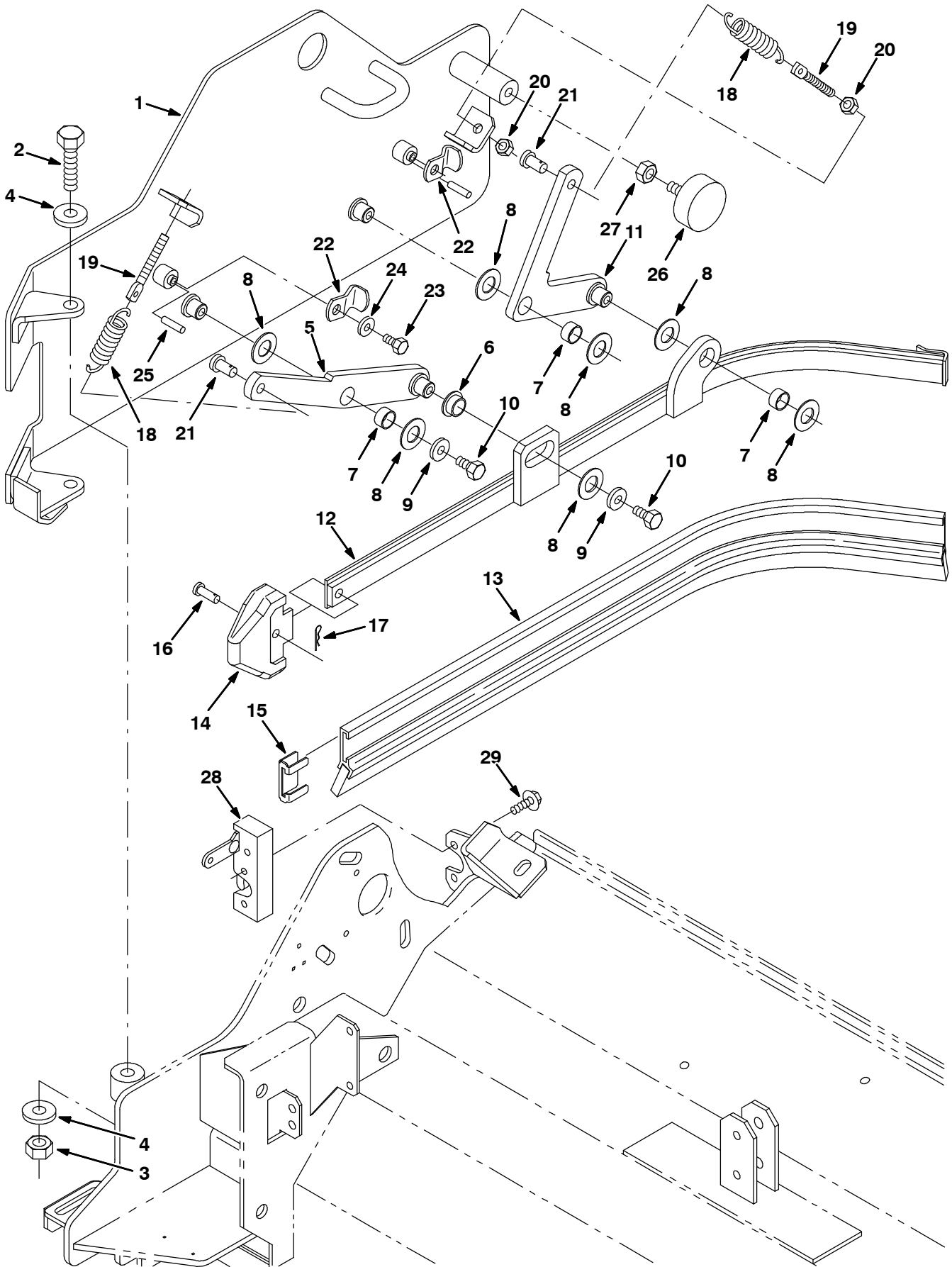
Fig. 36 - Max Pro 1000 (Cylindrical Brush) Edge Scrub Group



**Fig. 36 - Max Pro 1000 (Cylindrical Brush) Edge Scrub Group**

<b>Ref.</b>	<b>Tennant Part No.</b>	<b>Machine Serial Number</b>	<b>Description</b>	<b>Qty.</b>
1	363120	(000000-	) Roller	2
2	222277	(000000-	) Sleeve	2
3	04843	(000000-	) Bushing, Flng, 0.63b 0.72d 0.25l	4
4	222505	(000000-	) Screw, Hex, M08 X 1.25 X 45, Ss	2
5	1056843	(000000-	) Rail Wldt, Lift, Cyl Head, Iron Gray	1
6	222556	(000000-	) Sleeve	2
7	67767	(000000-	) Clamp, Cable, Stl, 0.69d X 0.62w, 1h	1
8	08716	(000000-	) Screw, Hex, M06 X 1.0 X 20, Ss	1
9	39308	(000000-	) Screw, Hex	2
10	01685	(000000-	) Washer, Flt, .31 Ss	2
11	363237	(000000-	) Shunt, 2Hd Mtrs, Scrub 515, Red	1
12	33930	(000000-	) Screw, Hex, M06 X 1.0 X 40, Ss	2
13	01684	(000000-	) Washer, Flt, .25 Ss	3
14	08712	(000000-	) Nut, Hex, Lock, M06 X 1.0, NI, Ss	3
15	363152	(000000-	) Actuator, 36vdc, 02.7stroke 500lb	1
16	51534	(000000-	) Pin, Clevis, 0.50D X 2.00L	2
17	08182	(000000-	) Pin, Cotter, .125 X 1.00	2
18	58494	(000000-	) Stud, Ball, .39d .31-16, Gasspring	2
19	14725	(000000-	) Nut, Retainer, .31-18	2
20	1056845	(000000-	) Arm Wldt, Pivot, Side, Gray [7300/8300]	1
21	29584	(000000-	) Pin, Clevis, 0.37 D X 2.00l	1
22	01686	(000000-	) Washer, Flt, .38 Ss	1
23	39005	(000000-	) Pin, Cotter, .094 X 0.75	1
24	364858	(000000-	) Gasspring, 56lb, 6.3strk	1
25	364404	(000000-	) Cable, .13d, 15.5l, .50eye /.50eye	1

Fig. 37 - Max Pro 1000 (Cylindrical Brush) Right Side Squeegee Group





**Fig. 37 - Max Pro 1000 (Cylindrical Brush) Right Side Squeegee Group**

<b>Ref.</b>	<b>Tennant Part No.</b>	<b>Machine Serial Number</b>	<b>Description</b>	<b>Qty.</b>
1	1056874	(000000-	) Guard Wldt, Rh, Iron Gray	1
2	09774	(000000-	) Screw, Hex, M12 X 1.75 X 50, Ss	2
3	09741	(000000-	) Nut, Hex, Lock, M12 X 1.75,NI, Ss	2
4	33925	(000000-	) Washer, Flat, M12, 13x24x2.5ss	4
5	386269	(000000-004999	) Arm Wldt, Front, Rh	1
5	1056491	(005000-	) Arm Wldt, Front, Rh, Iron Gray	1
6	25735	(000000-	) Bushing, Flng, 0.63b 0.75d 0.38l	1
7	71607	(000000-	) Bushing, Sleeve, 0.63b 0.72d 0.38l	3
8	64425	(000000-	) Washer, Thrust, 0.61b 1.25d .06, Fgl	7
9	01686	(000000-	) Washer, Flt, .38 Ss	4
10	386868	(000000-	) Screw, Hex, M08x1.25 X12,Ss	4
11	386268	(000000-	) Arm Wldt, Rear, Rh	1
11	1056490	(000000-004999	) Arm Wldt, Rear, Rh, Iron Gray	1
12	386263	(005000-	) Frame Wldt, Sqge, Side, Rh	1
13	386260	(000000-	) Squeegee, Side	1
14	386986	(000000-	) Guide, Point, Side Sqge	1
15	86759	(000000-	) Retainer, Sqge	1
16	386987	(000000-	) Pin, Clevis, 0.31d 0.88l	1
17	08085	(000000-	) Pin, Hair Cotter, 0.31 D .058 Wir	1
18	87816	(000000-	) Spring, Extn, 0.75od X 0.09wir, 2.5l	2
19	386088	(000000-	) Bolt, Eye, M8 X 1.25, 2.75l	2
20	07786	(000000-	) Nut, Hex, Std, M08 X 1.25, Ss	4
21	41305	(000000-	) Pin, Clevis, 0.37 D X 0.75l	2
22	1056875	(000000-	) Arm, Latch, Iron Gray	2
23	09744	(000000-	) Screw, Hex, M06 X 1.0 X 12, Ss	2
24	01684	(000000-	) Washer, Flt, .25 Ss	2
25	17404	(000000-	) Pin, Roll, .250 D X 0.75l, .250/.256	2
26	70756	(000000-	) Bumper, Rbr, 2.0d 0.75t .38-16	1
27	01692	(000000-	) Nut, Hex, Std, .38-16, Ss	1
28	72439	(000000-	) Latch	1
29	16949	(000000-	) Screw, Hex, .25-20 X 0.75, Sems	4

Fig. 38 - Max Pro 1000 (Cylindrical Brush) Left Side Squeegee Group

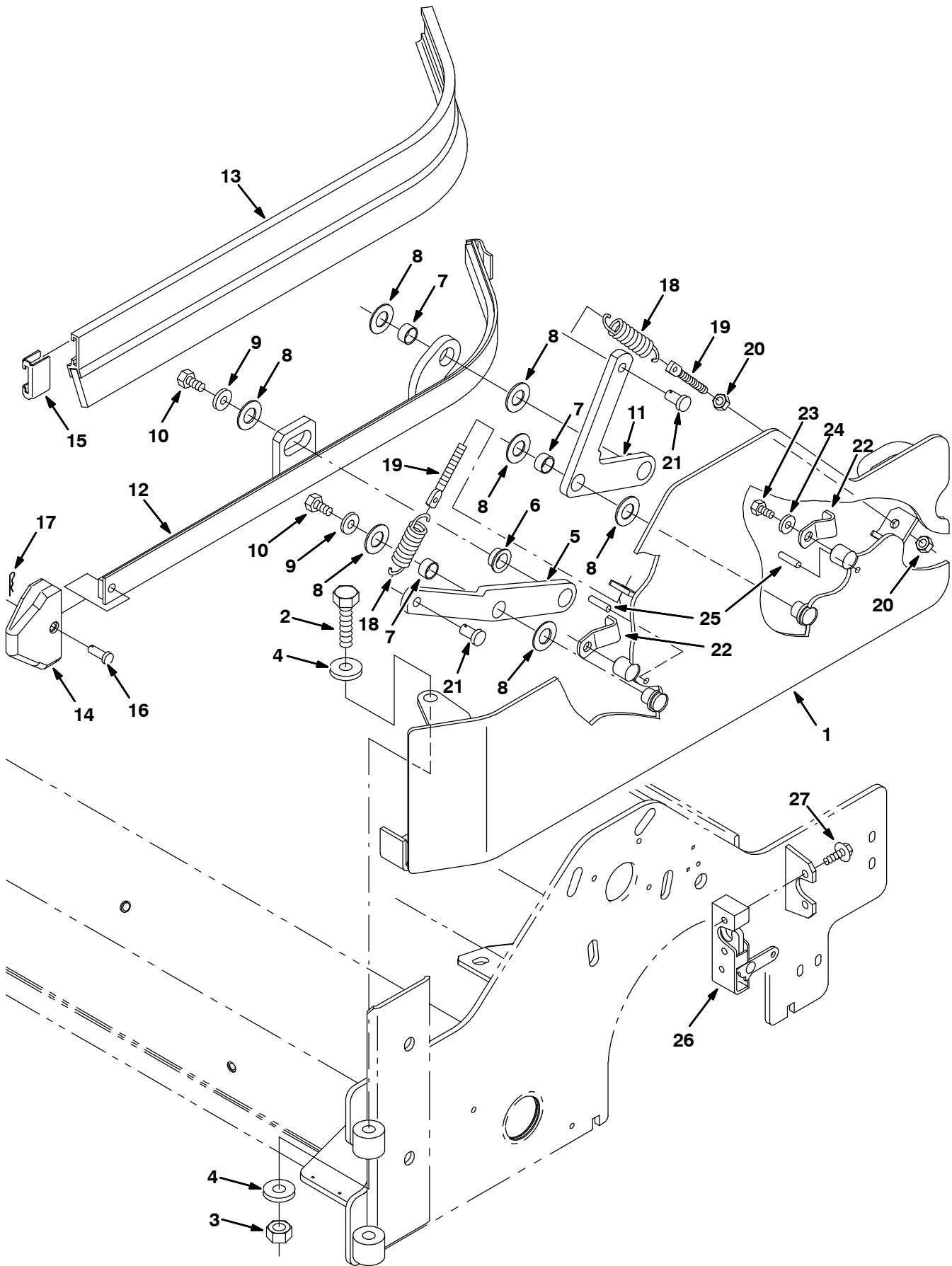
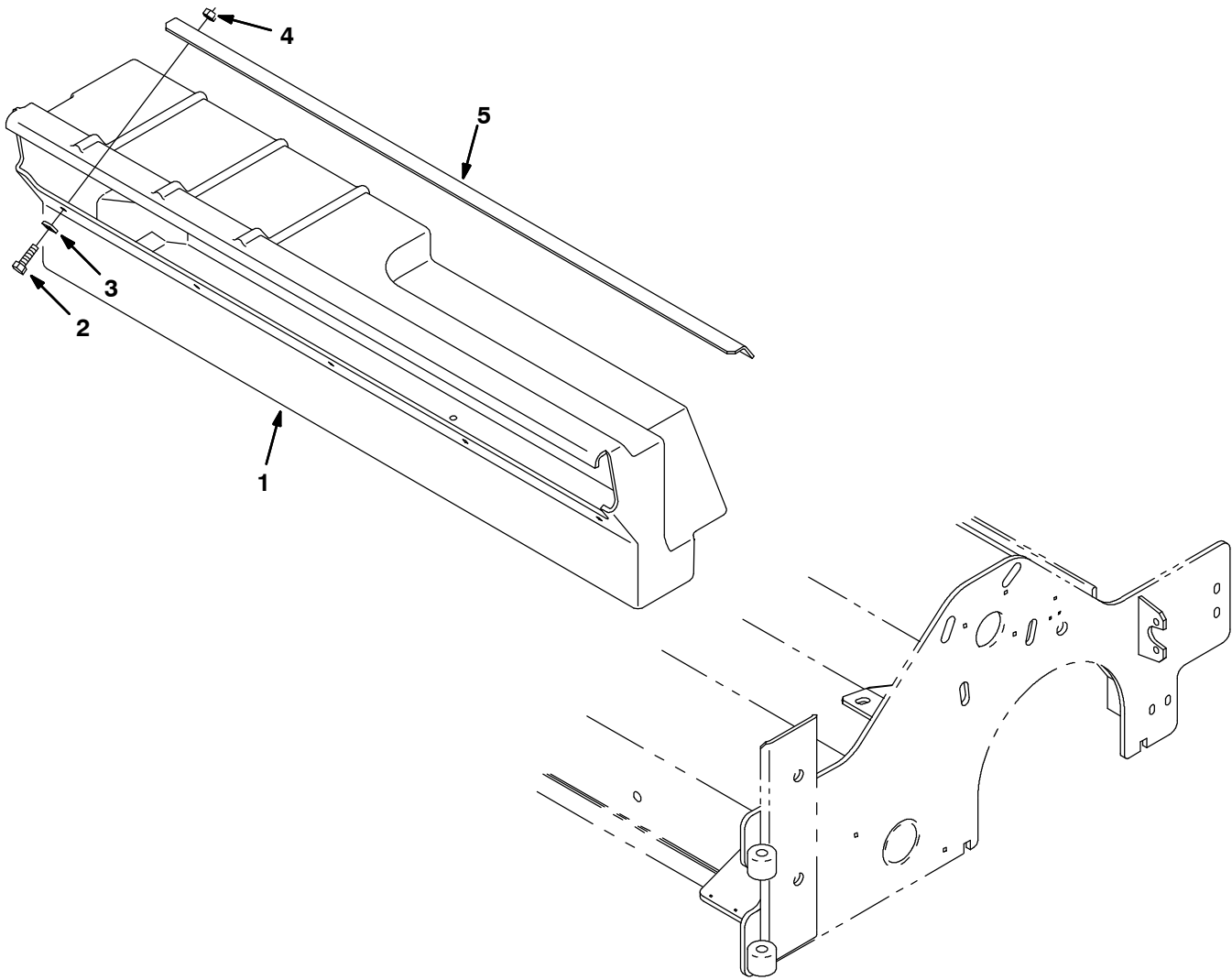


Fig. 38 - Max Pro 1000 (Cylindrical Brush) Left Side Squeegee Group

Ref.	Tennant Part No.	Machine Serial Number	Description	Qty.
1	386496	(000000-004999 )	Guard Wldt, Lh	1
1	1056495	(005000-	Guard Wldt, Lh, Iron Gray	1
2	09774	(000000-	Screw, Hex, M12 X 1.75 X 50, Ss	2
3	09741	(000000-	Nut, Hex, Lock, M12 X 1.75,NI, Ss	2
4	33925	(000000-	Washer, Flat, M12, 13x24x2.5ss	4
5	386276	(000000-004999 )	Arm Wldt, Front, Lh	1
5	1056493	(005000-	Arm Wldt, Front, Lh, Iron Gray	1
6	25735	(000000-	Bushing, Flng, 0.63b 0.75d 0.38l	1
7	71607	(000000-	Bushing, Sleeve, 0.63b 0.72d 0.38l	3
8	64425	(000000-	Washer, Thrust, 0.61b 1.25d .06, Fgl	7
9	01686	(000000-	Washer, Flt, .38 Ss	4
10	386868	(000000-	Screw, Hex, M08x1.25 X12,Ss	4
11	386275	(000000-004999 )	Arm Wldt, Rear, Lh	1
11	1056492	(005000-	Arm Wldt, Rear, Lh, Iron Gray	1
12	386262	(000000-	Frame Wldt, Sqge, Side, Lh	1
13	386260	(000000-	Squeegee, Side	1
14	386986	(000000-	Guide, Point, Side Sqge	1
15	86759	(000000-	Retainer, Sqge	1
16	386987	(000000-	Pin, Clevis, 0.31d 0.88l	1
17	08085	(000000-	Pin, Hair Cotter, 0.31 D .058 Wir	1
18	87816	(000000-	Spring, Extn, 0.75od X 0.09wir, 2.5l	2
19	386088	(000000-	Bolt, Eye, M8 X 1.25, 2.75l	2
20	07786	(000000-	Nut, Hex, Std, M08 X 1.25, Ss	4
21	41305	(000000-	Pin, Clevis, 0.37 D X 0.75l	2
22	1056875	(000000-	Arm, Latch, Iron Gray	2
23	09744	(000000-	Screw, Hex, M06 X 1.0 X 12, Ss	2
24	01684	(000000-	Washer, Flt, .25 Ss	2
25	17404	(000000-	Pin, Roll, .250 D X 0.75l, .250/.256	2
26	59661	(000000-	Latch	1
27	16949	(000000-	Screw, Hex, .25-20 X 0.75, Sems	4

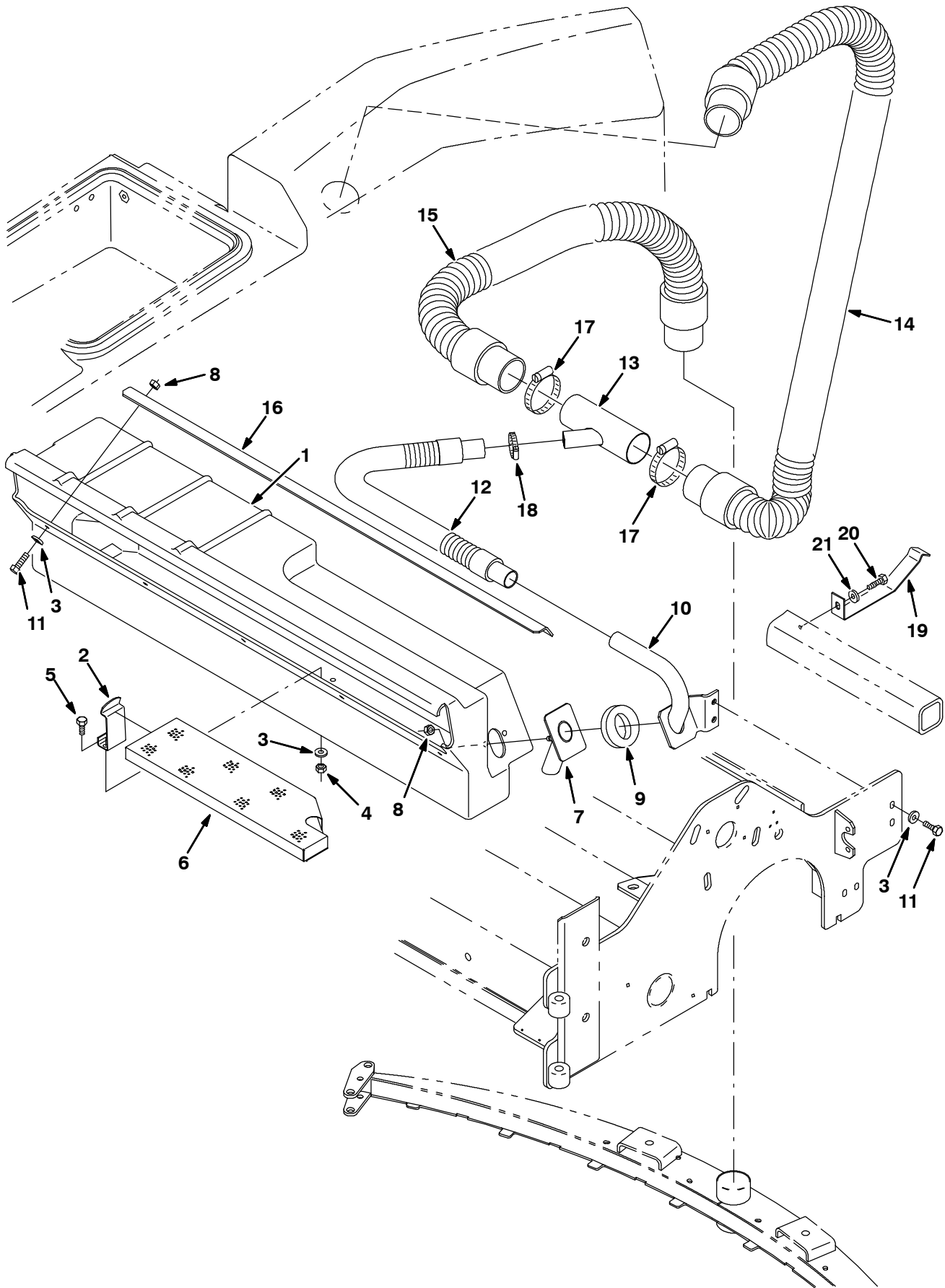
**Fig. 39 - Max Pro 1000 (Cylindrical Brush) Debris Tray Group**



**Fig. 39 - Max Pro 1000 (Cylindrical Brush) Debris Tray Group**

<b>Ref.</b>	<b>Tennant Part No.</b>	<b>Machine Serial Number</b>	<b>Description</b>	<b>Qty.</b>
1	387671	(000000-	) Tray, Debris, 40L, W/Holes	1
2	08716	(000000-	) Screw, Hex, M6X1.0X20, Ss	5
3	01684	(000000-	) Washer, Flat, 0.25 Ss	5
4	08712	(000000-	) Nut, Hex, Lock, M6X1.0, Ss, NI	5
5	1057526	(000000-	) Angle, Iron Gray	1

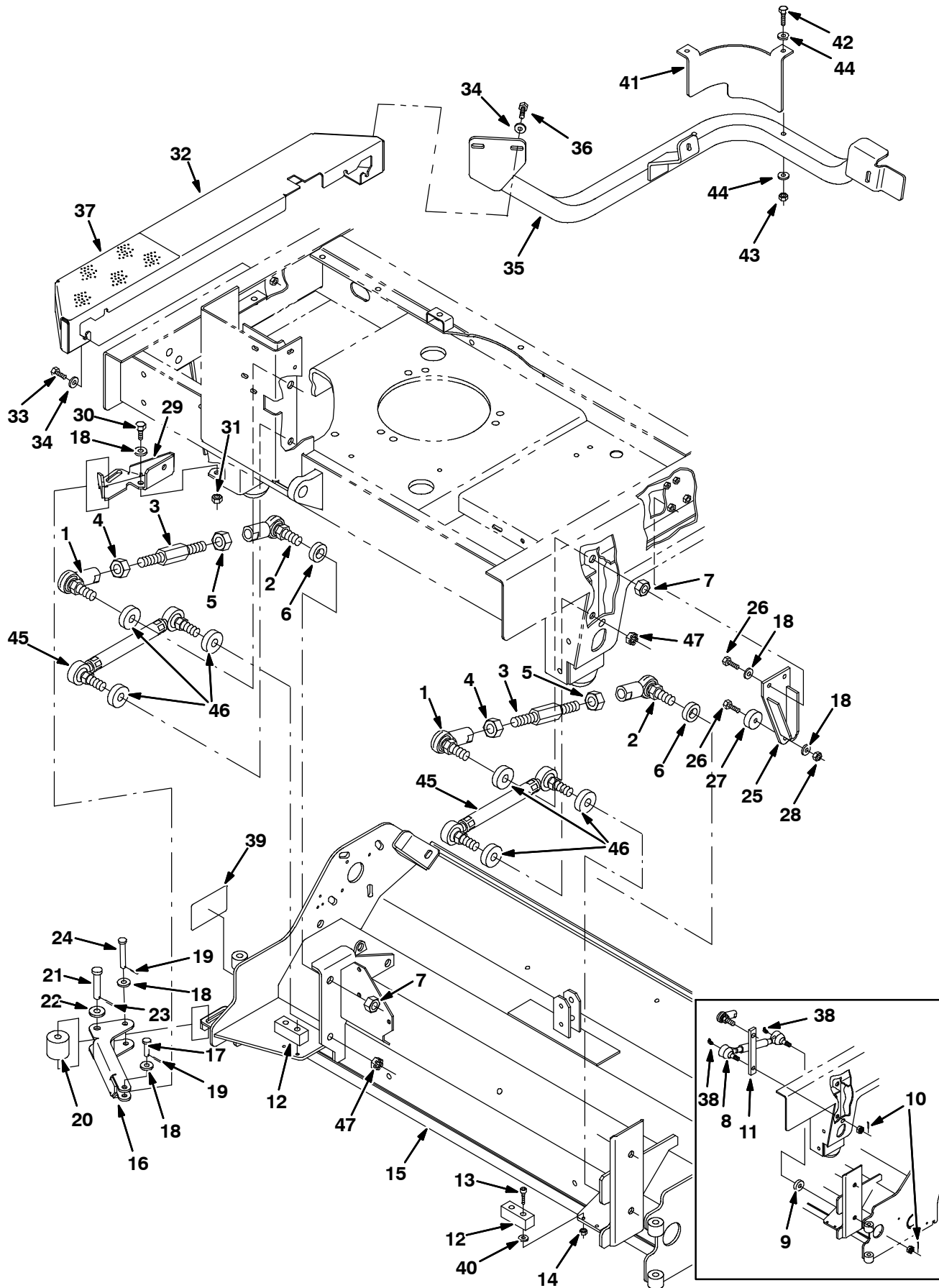
Fig. 40 - Max Pro 1000 (Cylindrical Brush) Vacuumized Debris Tray Group



**Fig. 40 - Max Pro 1000 (Cylindrical Brush) Vacuumized Debris Tray Group**

<b>Ref.</b>	<b>Tennant Part No.</b>	<b>Machine Serial Number</b>	<b>Description</b>	<b>Qty.</b>
1	386282	(000000-	) Tray, Debris, 40.0l	1
2	87244	(000000-	) Clip, Spring, Prop Arm	1
3	01684	(000000-	) Washer, Flt, .25 Ss	14
4	08712	(000000-	) Nut, Hex, Lock, M06 X 1.0, NI, Ss	2
5	09744	(000000-	) Screw, Hex, M06 X 1.0 X 12, Ss	2
6	386500	(000000-	) Screen Wldt	1
7	1057520	(000000-	) Tube Wldt, Vacuum, Scrbr Head, Iron Gray	1
8	08712	(000000-	) Nut, Hex, Lock, M06 X 1.0, NI, Ss	7
9	386504	(000000-	) Gasket, Foam	1
10	1057521	(000000-	) Tube Wldt, Upper, Iron Gray	1
11	08716	(000000-	) Screw, Hex, M06 X 1.0 X 20, Ss	7
12	222788	(000000-001702	) Hose Assy, W/2cuff, 1.0d, 23l	1
12	387517	(001703-	) Hose Assy, W/2cuff, 1.0d, 41l	1
13	386518	(000000-	) Tube Wldt	1
14	386514	(000000-001702	) Hose, Vacuum, 58.5l	1
14	1005133	(001703-	) Hose Assy, W/2cuff, 2.0d 75l	1
15	387256	(000000-001702	) Hose, Vacuum, 35.0l	1
15	1005135	(001703-	) Hose Assy, W/2cuff, 2.0d 26l	1
16	1057526	(000000-	) Angle, Iron Gray	1
17	14432	(000000-	) Clamp, Hose, Wormdrive, 1.81-2.75d	2
18	11399	(000000-	) Clamp, Hose, Wormdrive, 0.81-1.50d	1
19	1002464	(001703-	) Bracket, Tube , Tee	1
20	361339	(001703-	) Screw, Hex, M 6 X 1.0 X 16, Fmg	1
21	32483	(001703-	) Washer, Flat, 0.25 Sae	1

**Fig. 41 - Max Pro 1200 (Cylindrical Brush) Scrub Head Frame and Linkage Group**





**Fig. 41 - Max Pro 1200 (Cylindrical Brush) Scrub Head Frame and Linkage Group**

Ref.	Tennant Part No.	Machine Serial Number	Description	Qty.
1	77275	(000000-	Rod-End, .62-18rh Fem 0.50-18stud	2
2	386070	(000000-	Rod-End, .625-18, Lh	2
3	386071	(000000-	Rod, Link	2
4	77276	(000000-	Nut, Hex, Jam, .62-18, Ss	2
5	77277	(000000-	Nut, Hex, Jam, .62-18, Ss, Lh	2
6	386081	(000000-	Spacer, Rod-End	2
7	40814	(000000-	Nut, Hex, Lock, .62-18, NI, Thin	4
8	363113	(000000-003695)	Link Wldt, Head, Drag (Replaced by 9005751)	2
9	14524	(000000-003695)	Spacer, Washer	2
10	08346	(000000-003695)	Pin, Cotter, .125 X 0.75	4
11	386844	(000000-003695)	Spacer, Plate	2
12	386865	(000000-	Bumper	2
13	24198	(000000-	Screw, Pan, M05 X 0.8 X 25, Ss	4
14	09739	(000000-	Nut, Hex, Lock, M05 X 0.8, NI, Ss	4
15	1056903	(000000-	Housing Wldt, Brush, Iron Gray	1
16	1001099	(000000-004999)	Guard, Kick In, Scb Head	1
16	1056390	(005000-	Guard, Kick In, Scb Head, Iron Gray	1
17	29557	(000000-	Pin, Clevis, 0.37 D X 1.31l	1
18	01686	(000000-	Washer, Flt, .38 Ss	7
19	39005	(000000-	Pin, Cotter, .094 X 0.75	2
20	72946	(000000-	Roller	1
21	06279	(000000-	Pin, Clevis, 0.50 D X 2.50l	1
22	32493	(000000-	Washer, Flt, .50 Std	1
23	08182	(000000-	Pin, Cotter, .125 X 1.00	1
24	365180	(000000-	Pin, Clevis, 0.38 D X 2.50l	1
25	1056494	(000000-	Plate Wldt, Stop, Iron Gray	2
26	09010	(000000-	Screw, Hex, M08 X 1.25 X 25, Ss	3
27	15023	(000000-	Bumper, Pye	1
28	08713	(000000-	Nut, Hex, Lock, M08 X 1.25, NI, Ss	1
29	386876	(000000-004999)	Bracket, Adaptor, Mtg, Kick In, Frame	1
29	1056505	(005000-	Bracket, Adapter, Mtg, Kick In, Frame	1
30	09028	(000000-	Screw, Hex, M10 X 1.5 X 25, Ss	1
31	08714	(000000-	Nut, Hex, Lock, M10 X 1.5, NI, Ss	1
32	386827	(000000-004999)	Bumper, Side, Scb Head, Wide	1
32	1056681	(005000-	Bumper, Side, Scb Head, Wide, Iron Gray	1
33	09740	(000000-	Screw, Hex, M08 X 1.25 X 20, Ss	4
34	01685	(000000-	Screw, Hex, M08 X 1.25 X 20, Ss	8
35	387245	(000000-004999)	Guard Wldt, Sqge (MP 20)	1
35	1056517	(005000-	Guard Wldt, Sqge, Rear, Gray	1
36	09010	(000000-	Screw, Hex, M08 X 1.25 X 25, Ss	4
37	387080	(000000-	Tread, Floor, 12.5 X 5.75	1
38	09718	(000000-003695)	Fitting, Grease, E90 Pm04 .75L	4
39	365156	(000000-	Label Set, Info/Hzrd, [Max Pro]	1
40	13248	(000000-	Washer, 0.40B 1.12D .12, Stl, Pl	4
▽	374250	(000000-004999)	Guard Kit, Sqge, Rear, Ci [7300/8300]	1
▲	41 1007486	(000000-004999)	Guard, Bumper	1
▲	42 39278	(000000-004999)	Screw, Hex, M8 X 1.25 X 50, 8.8	2
▲	43 08713	(000000-004999)	Nut, Hex, Lock, M8 X 1.25, NI, Ss	2
▲	44 32491	(000000-004999)	Washer, Flat, 0.31, Std	4
▽	9006924	(005000-	Guard Kit, Sqge, Rear, Iron Gray, Ci	1
▲	41 1057073	(005000-	Guard, Bumper	1
▲	42 39278	(005000-	Screw, Hex, M8 X 1.25 X 50, 8.8	2
▲	43 08713	(005000-	Nut, Hex, Lock, M8 X 1.25, NI, Ss	2
▲	44 32491	(005000-	Washer, Flat, 0.31, Std	4
45	1050193	(000000-	Link Assy, Rod-End, .63-18	2
46	386081	(000000-	Tube, 0.69ld 1.25Od 00.4L, Blk, Rod-End	6
47	40814	(000000-	Nut, Hex, Lock, .62-18, NI, Thin	4

Fig. 42 - Max Pro 1200 (Cylindrical Brush) Scrub Head Drive Group

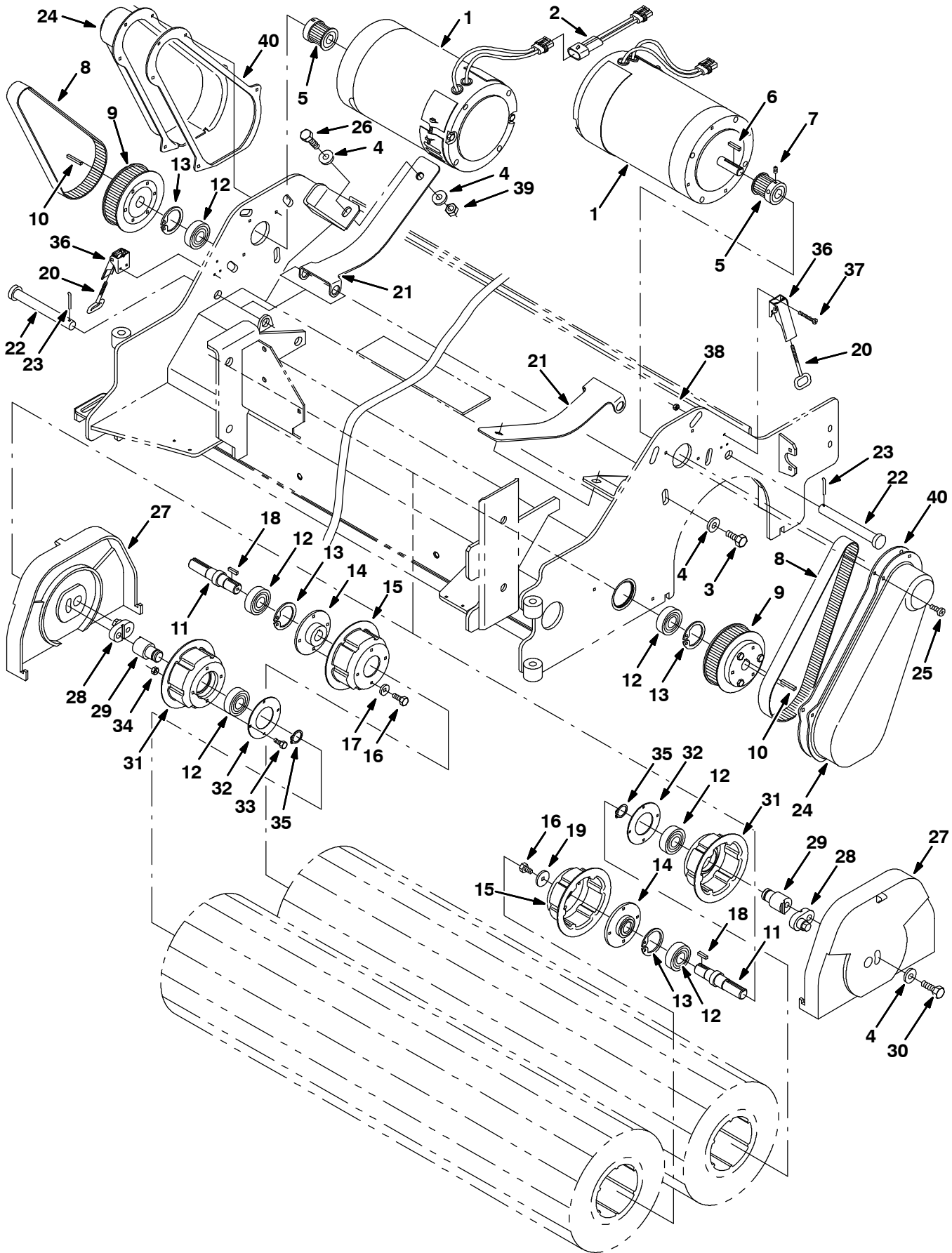


Fig. 42 - Max Pro 1200 (Cylindrical Brush) Scrub Head Drive Group

Ref.	Tennant Part No.	Machine Serial Number	Description	Qty.	
1	386050	(000000-002093 )	Motor, Ele, 36vdc 1500rpm 1.5hp (See Breakdown) (Repl By 377398AM)	2	
▽	1	377398	(002094- )	Motor, Ele, 36vdc 1.50hp 1500rpm 43.0a	2
▲	621478	(002094- )	Brush, Carbon	2	
2	363468	(000000- )	Wire Assy, Jumper Reverse, [515]	1	
3	09291	(000000- )	Screw, Hex, M10 X 1.5 X 20, Ss	8	
4	01686	(000000- )	Washer, Flt, .38 Ss	14	
5	83052	(000000- )	Sprocket, Timing, 23tooth, 0.625b	2	
6	00912	(000000- )	Key, Sq, 0.19 X 0.19, 01.00l	2	
7	39323	(000000- )	Screw, Set, #10-32 X 0.38, Al	4	
8	386053	(000000- )	Belt, Drive (Cylindrical Brush)	2	
9	375301	(000000- )	Sprocket, Timing, 4.261pd, 68 Grv, Pl	2	
10	00918	(000000- )	Key, Sq, 0.19 X 0.19, 01.25l	2	
11	386058	(000000- )	Shaft, Drive, Brush	2	
12	46390	(000000- )	Bearing, Ball, 0.79b 1.85d 0.55w	6	
13	10464	(000000- )	Ring, Retaining, Int, 1.85d, Basic	4	
14	1056846	(000000- )	Hub Wldt, Drive, Brush, Iron Gray	2	
15	1056847	(000000- )	Plug, Drive, Brush, Spl, Iron Gray	2	
16	15678	(000000- )	Screw, Hex, M06 X 1.0 X 16, Ss	10	
17	01684	(000000- )	Washer, Flt, .25 Ss	8	
18	00911	(000000- )	Key, Sq, 0.19 X 0.19, 00.75l	2	
19	386063	(000000- )	Washer, 0.25b 1.12d .12, Ss	2	
20	386274	(000000- )	Hook Wldt, Latch	2	
21	1057089	(000000- )	Spring, Motor, Iron Gray	2	
22	386072	(000000- )	Pin, Clevis, .625 Dia X 5.25l	2	
23	02942	(000000- )	Pin, Hair Cotter, 0.62 D .120 Wir	2	
24	386066	(000000- )	Cover, Drive	2	
25	48732	(000000- )	Screw, Pan, M06 X 1.0 X 10, Ss	10	
26	12317	(000000- )	Screw, Hex, M10 X 1.5 X 30, Ss	2	
27	386080	(000000- )	Cover, Idler	2	
28	386841	(000000- )	Cam, Front	2	
29	386842	(000000- )	Cam, Rear	2	
30	12317	(000000- )	Screw, Hex, M10 X 1.5 X 30, Ss	2	
31	81771	(000000- )	Plug, Drive, Brush, Splined	2	
32	1056838	(000000- )	Retainer, Brg, Iron Gray	2	
33	09738	(000000- )	Screw, Hex, M05 X 0.8 X 12, Ss	8	
34	06549	(000000- )	Nut, Hex, Lock, M05 X 0.8, NI	8	
35	26428	(000000- )	Ring, Retaining, Ext, 0.75d, Hd	2	
36	386257	(000000- )	Latch	2	
37	09198	(000000- )	Screw, Pan, M04 X 0.7 X 35, Ss	6	
38	33932	(000000- )	Nut, Hex, Lock, M04 X 0.7, NI, Ss	6	
39	08714	(000000- )	Nut, Hex, Lock, M10 X 1.5, NI, SS	2	
40	1001062	(000000- )	Gasket, Cover	2	

Fig. 43 - Max Pro 1200 (Cylindrical Brush) Solution Valve Group

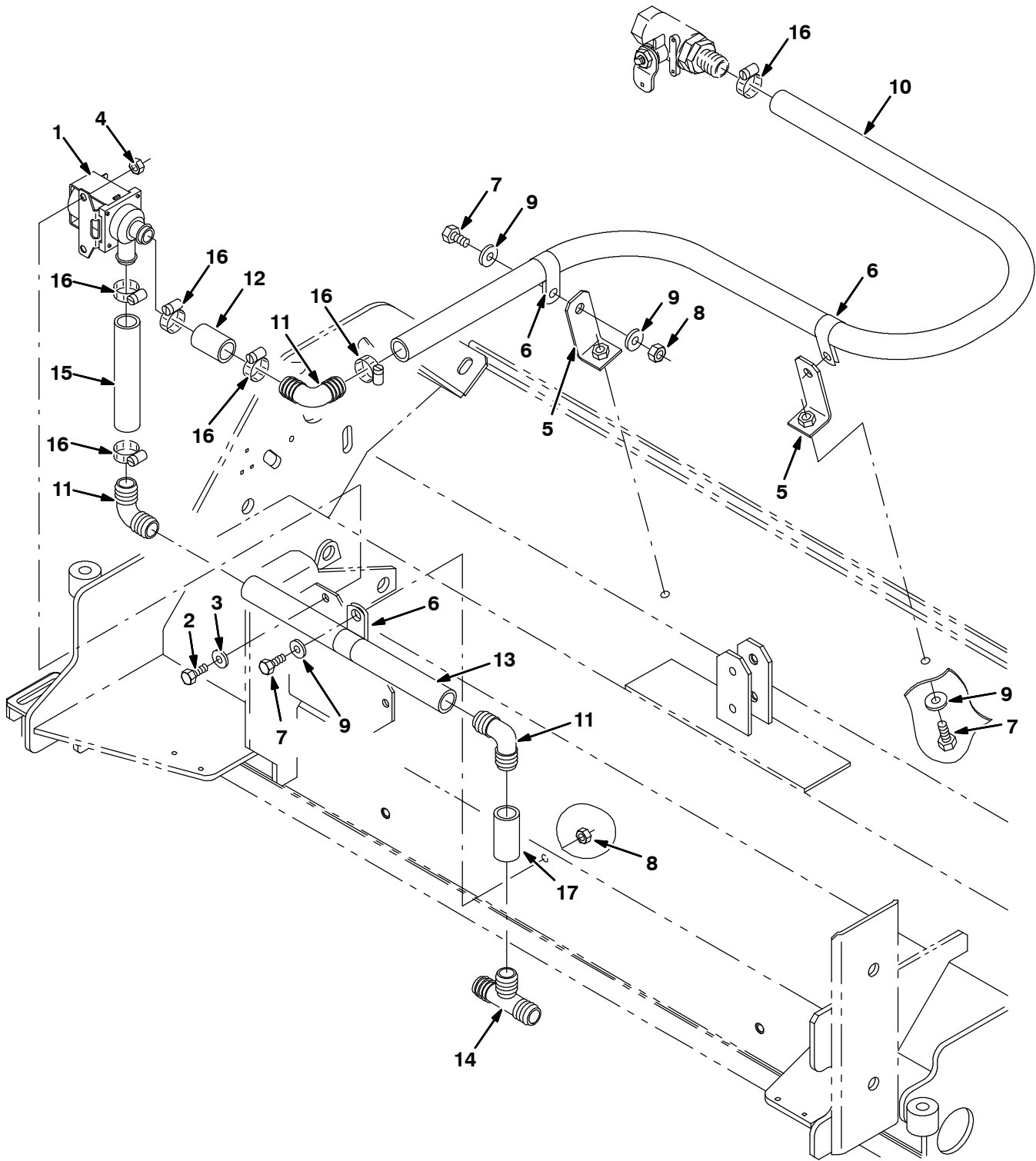


Fig. 43 - Max Pro 1200 (Cylindrical Brush) Solution Valve Group

Ref.	Tennant Part No.	Machine Serial Number	Description	Qty.
1	84028	(000000-	) Valve, Water	1
2	15678	(000000-	) Screw, Hex, M06 X 1.0 X 16, Ss	2
3	01684	(000000-	) Washer, Flt, .25 Ss	2
4	08712	(000000-	) Nut, Hex, Lock, M06 X 1.0, NI, Ss	2
5	1056873	(000000-	) Angle, Iron Gray	2
6	69234	(000000-	) Clamp, Cable, Stl, 1.00d X 0.62w, 1h	3
7	15675	(000000-	) Screw, Hex, M08 X 1.25 X 16, Ss	7
8	08709	(000000-	) Nut, Hex, Lock, M08 X 1.25,NI	5
9	01685	(000000-	) Washer, Flt, .31 Ss	9
10	73474	(000000-	) Hose, Pvc, Brd, 0.75id 1.00od 44.50l	1
11	40566	(000000-	) Fitting, Plstc, E90, Bm12/Bm12	3
12	364899	(000000-	) Hose, Pvc, Brd, 0.75id 1.03od 01.50l	1
13	364896	(000000-	) Hose, Pvc, Brd, 0.75id 1.03od 11.00l	1
14	41315	(000000-	) Fitting, Plstc, Tee, Bm12/Bm12/Bm12	1
15	364895	(000000-	) Hose, Pvc, Brd, 0.75id 1.03od 05.00l	1
16	11399	(000000-	) Clamp, Hose, Wormdrive, 0.81-1.50d	6
17	16914	(000000-	) Hose, Pvc, Brd, 0.75id 1.00od 2.00l	1

# OPTIONS

Fig. 44 - Max Pro 1200 (Cylindrical Brush) Solution Valve Group (FaST/ec-H2O)

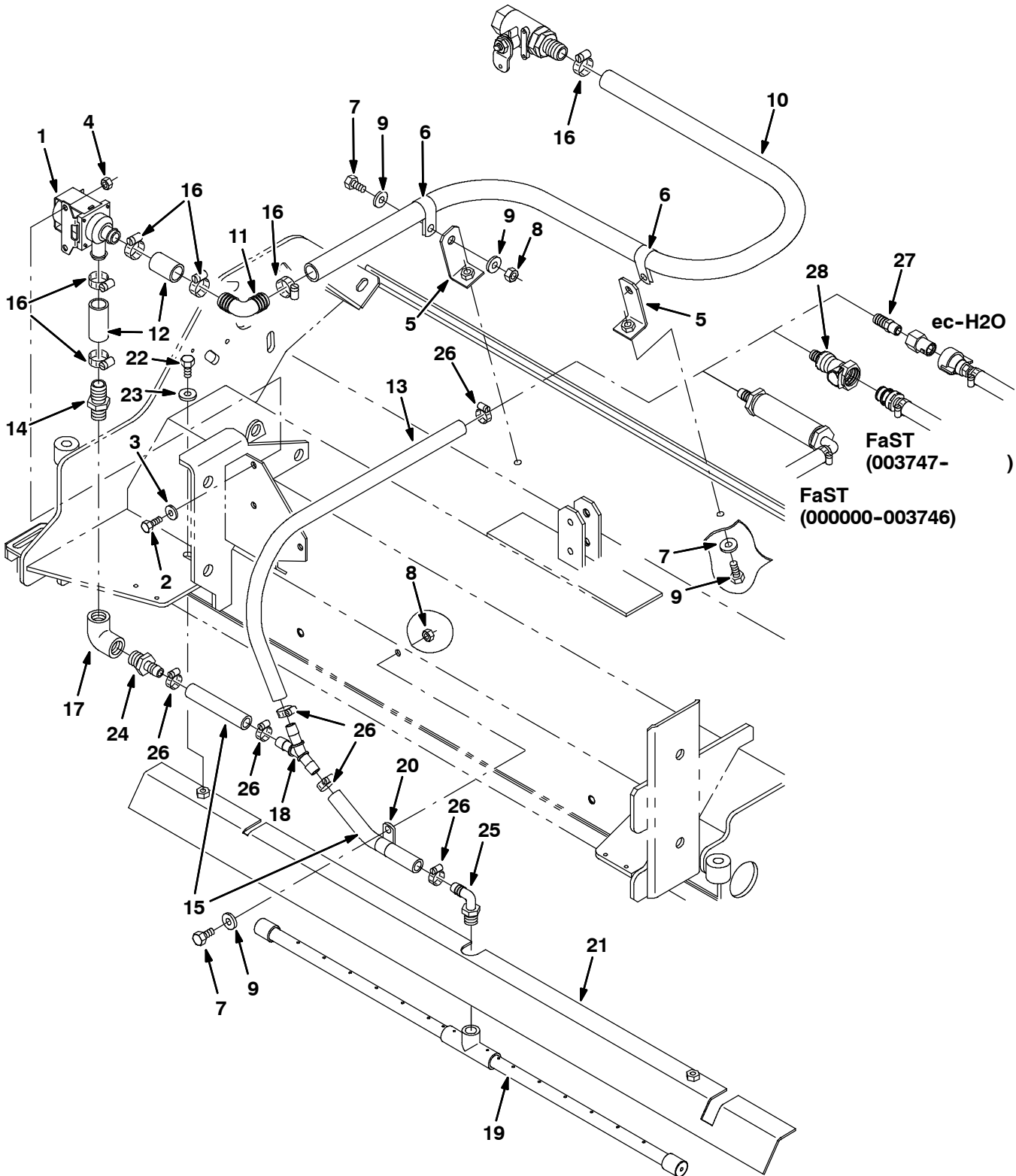


Fig. 44 - Max Pro 1200 (Cylindrical Brush) Solution Valve Group (FaST/ec-H2O)

Ref.	Tennant Part No.	Machine Serial Number	Description	Qty.
1	84028	(000000-	) Valve, Water	1
2	15678	(000000-	) Screw, Hex, M06 X 1.0 X 16, Ss	2
3	01684	(000000-	) Washer, Flt, .25 Ss	2
4	08712	(000000-	) Nut, Hex, Lock, M06 X 1.0, NI, Ss	2
5	1056873	(000000-	) Angle, Iron Gray	2
6	69234	(000000-	) Clamp, Cable, Stl, 1.00d X 0.62w, 1h	2
7	15675	(000000-	) Screw, Hex, M08 X 1.25 X 16, Ss	5
8	08709	(000000-	) Nut, Hex, Lock, M08 X 1.25,NI	3
9	01685	(000000-	) Washer, Flt, .31 Ss	7
10	1015045	(000000-	) Hose, Afmkt, Pvc, Brd 0.75id 8 Ft	1
11	40566	(000000-	) Fitting, Plstc, E90, Bm12/Bm12	3
12	1015048	(000000-	) Hose, Afmkt, Pvc, Brd 0.75id 1 Ft	1
13	1011521	(000000-	) Hose, Afmkt Replmt, Pvc, Brd 0.50id 2 Ft	1
14	78398	(000000-	) Fitting, Plstc, Str, Bm12/Pm08, Nyl	1
15	1011403	(000000-	) Hose, Afmkt Replmt, Pvc, Brd 0.50id 1 Ft	1
16	11399	(000000-	) Clamp, Hose, Wormdrive, 0.81-1.50d	6
17	79572	(000000-	) Fitting, Plstc, E90, Pf08/Pf08	1
18	1010668	(000000-	) Fitting, Plstc, Y, Bm08/Bm08/Bm08 Nyl	1
19	1010832	(000000-	) Bar Assy, Spray [7300/8300]	1
20	07471	(000000-	) Clamp, Cable, Stl, 0.75d X 0.75w, 1h	1
21	1057530	(000000-	) Bracket, Bar, Spray, 48.0 [7300/8300]	1
22	49826	(000000-	) Screw, Hex, M8 X 1.25 X 16, Ss, NI	2
23	32492	(000000-	) Washer, Flat, 0.38 Std	2
24	79273-4	(000000-	) Fitting, Plstc, Str, Bm08/Pm08	1
25	64778	(000000-	) Fitting, Plstc, E90, Bm08/Pm06	1
26	54333	(000000-	) Clamp, Hose, Wormdrive, 0.31-0.88d	6
27	48610	(000000-	) Fitting, Plstc, Str, Bm08/Pm04 (ec-H2O)	1
28	1017413	(003747-	) Housing, Cplg, Qf / Pm08 (FaST)	1

**Fig. 45 - Max Pro 1200 (Cylindrical Brush) Edge Scrub Group**

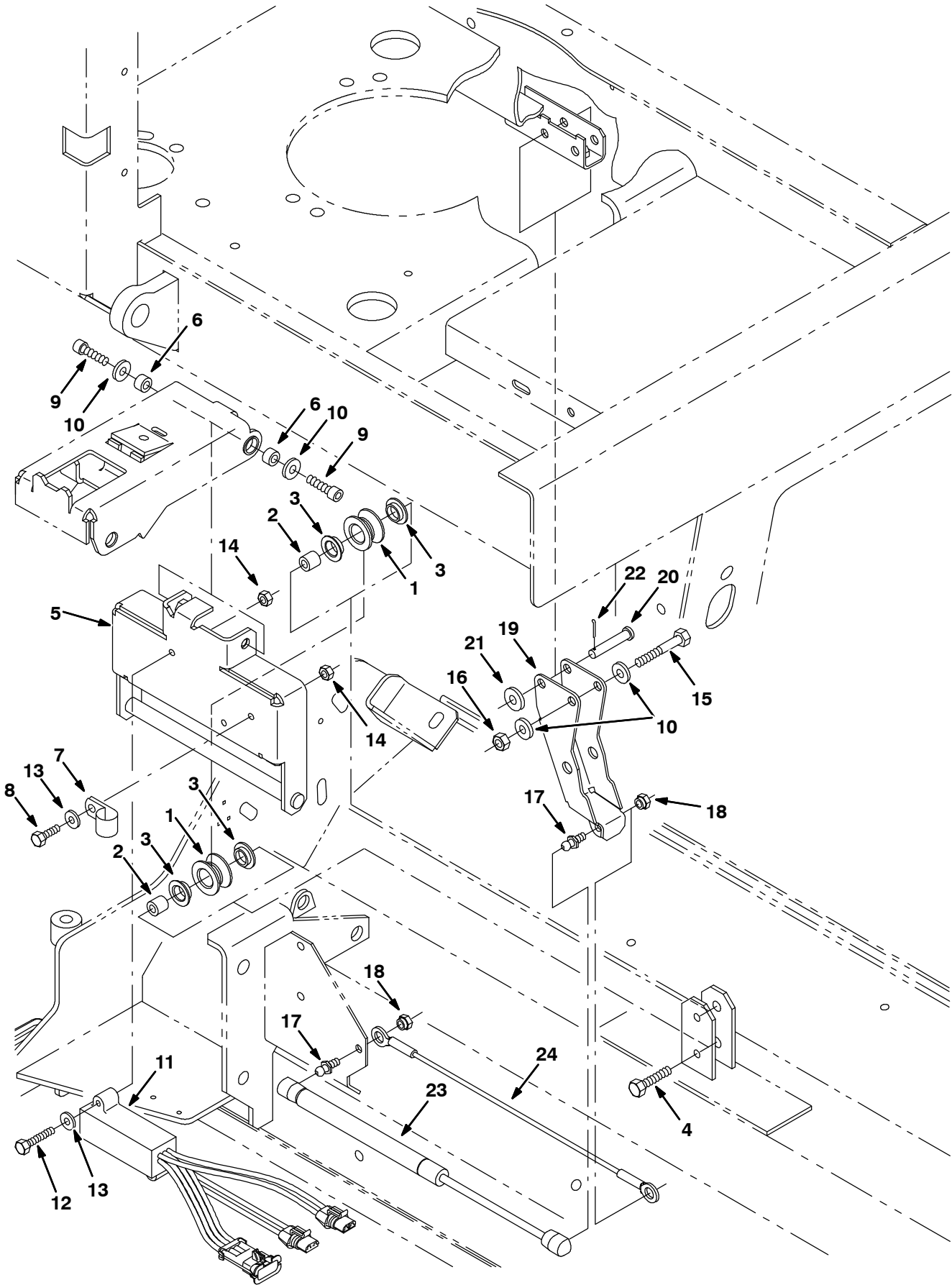




Fig. 45 - Max Pro 1200 (Cylindrical Brush) Edge Scrub Group

Ref.	Tennant Part No.	Machine Serial Number	Description	Qty.
1	363120	(000000-	) Roller	2
2	222277	(000000-	) Sleeve	2
3	04843	(000000-	) Bushing, Flng, 0.63b 0.72d 0.25l	4
4	222505	(000000-	) Screw, Hex, M08 X 1.25 X 45, Ss	2
5	1056843	(000000-	) Rail Wldt, Lift, Cyl Head, Iron Gray	1
6	222556	(000000-	) Sleeve	2
7	67767	(000000-	) Clamp, Cable, Stl, 0.69d X 0.62w, 1h	1
8	08716	(000000-	) Screw, Hex, M06 X 1.0 X 20, Ss	1
9	39308	(000000-	) Screw, Soc, M08 X 1.25 X 25, 12.9	2
10	01685	(000000-	) Washer, Flt, .31 Ss	4
11	363237	(000000-	) Shunt, 2Hd Mtrs, Scrub 515, Red	1
12	33930	(000000-	) Screw, Hex, M06 X 1.0 X 40, Ss	2
13	01684	(000000-	) Washer, Flt, .25 Ss	3
14	08712	(000000-	) Nut, Hex, Lock, M06 X 1.0, NI, Ss	3
15	77270	(000000-	) Screw, Hex, M08 X 1.25 X 60, Ss	1
16	08713	(000000-	) Nut, Hex, Lock, M08 X 1.25,NI, Ss	1
17	58494	(000000-	) Stud, Ball, .39d .31-16, Gasspring	2
18	14725	(000000-	) Nut, Retainer, .31-18	2
19	1056845	(000000-	) Arm Wldt, Pivot, Side, Gray [7300/8300]	1
20	29584	(000000-	) Pin, Clevis, 0.37 D X 2.00l	1
21	01686	(000000-	) Washer, Flt, .38 Ss	1
22	39005	(000000-	) Pin, Cotter, .094 X 0.75	1
23	364858	(000000-	) Gasspring, 56lb, 6.3strk	1
24	364404	(000000-	) Cable, .13d, 15.5l, .50eye /.50eye	1

**Fig. 46 - Max Pro 1200 (Cylindrical Brush) Right Side Squeegee Group**

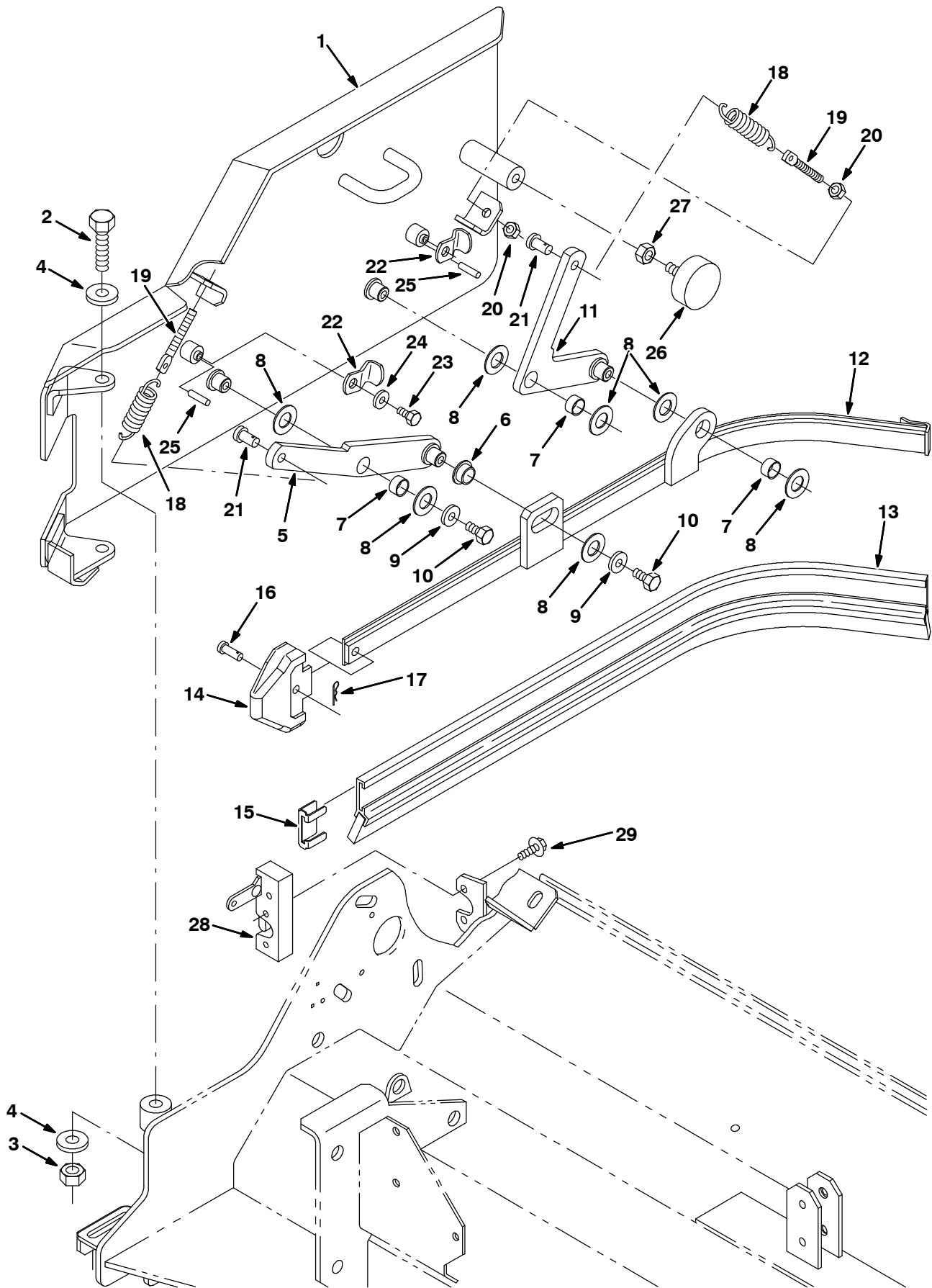


Fig. 46 - Max Pro 1200 (Cylindrical Brush) Right Side Squeegee Group

Ref.	Tennant Part No.	Machine Serial Number	Description	Qty.
1	387271	(000000-004999 )	Guard Wldt, Rh, [Mp1200]	1
1	1056800	(005000-	Guard Wldt, Rh, Iron Gray	1
2	09774	(000000-	Screw, Hex, M12 X 1.75 X 50, Ss	2
3	09741	(000000-	Nut, Hex, Lock, M12 X 1.75,NI, Ss	2
4	33925	(000000-	Washer, Flat, M12, 13x24x2.5ss	4
5	386269	(000000-004999 )	Arm Wldt, Front, Rh	1
5	1056491	(005000-	Arm Wldt, Front, Rh, Iron Gray	1
6	25735	(000000-	Bushing, Flng, 0.63b 0.75d 0.38l	1
7	71607	(000000-	Bushing, Sleeve, 0.63b 0.72d 0.38l	3
8	64425	(000000-	Washer, Thrust, 0.61b 1.25d .06, Fgl	7
9	01686	(000000-	Washer, Flt, .38 Ss	4
10	386868	(000000-	Screw, Hex, M08x1.25 X12,Ss	4
11	386268	(000000-004999 )	Arm Wldt, Rear, Rh	1
11	1056490	(005000-	Arm Wldt, Rear, Rh, Iron Gray	1
12	386263	(000000-	Frame Wldt, Sqge, Side, Rh	1
13	386260	(000000-	Squeegee, Side	1
14	386986	(000000-	Guide, Point, Side Sqge	1
15	86759	(000000-	Retainer, Sqge	1
16	386987	(000000-	Pin, Clevis, 0.31d 0.88l	1
17	08085	(000000-	Pin, Hair Cotter, 0.31 D .058 Wir	1
18	87816	(000000-	Spring, Extn, 0.75od X 0.09wir, 2.5l	2
19	386088	(000000-	Bolt, Eye, M8 X 1.25, 2.75l	2
20	07786	(000000-	Nut, Hex, Std, M08 X 1.25, Ss	4
21	41305	(000000-	Pin, Clevis, 0.37 D X 0.75l	2
22	1056875	(000000-	Arm, Latch, Iron Gray	2
23	09744	(000000-	Screw, Hex, M06 X 1.0 X 12, Ss	2
24	01684	(000000-	Washer, Flt, .25 Ss	2
25	17404	(000000-	Pin, Roll, .250 D X 0.75l, .250/.256	2
26	70756	(000000-	Bumper, Rbr, 2.0d 0.75t .38-16	1
27	01692	(000000-	Nut, Hex, Std, .38-16, Ss	1
28	72439	(000000-	Latch	1
29	16949	(000000-	Screw, Hex, .25-20 X 0.75, Sems	4

Fig. 47 - Max Pro 1200 (Cylindrical Brush) Left Side Squeegee Group

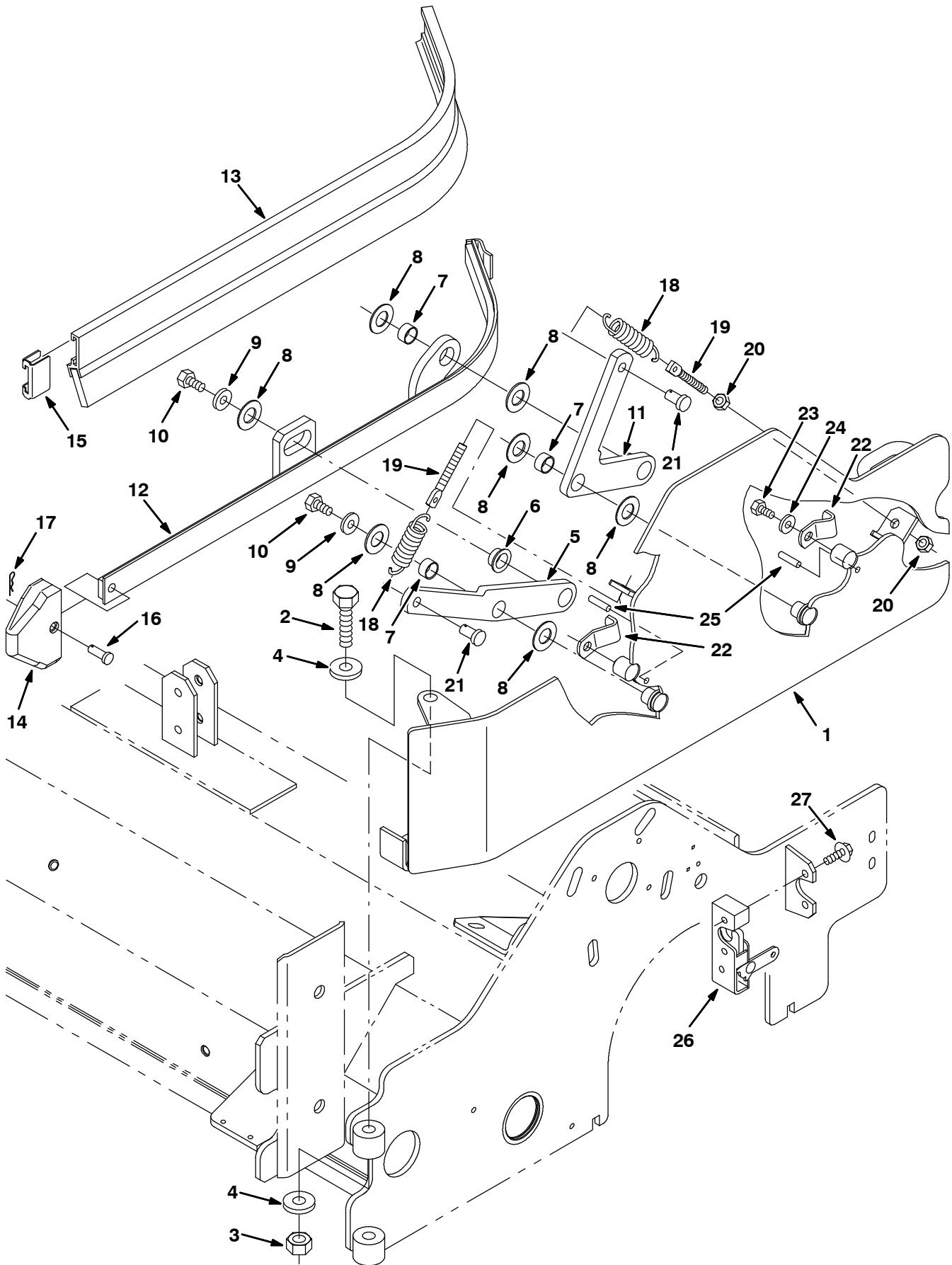
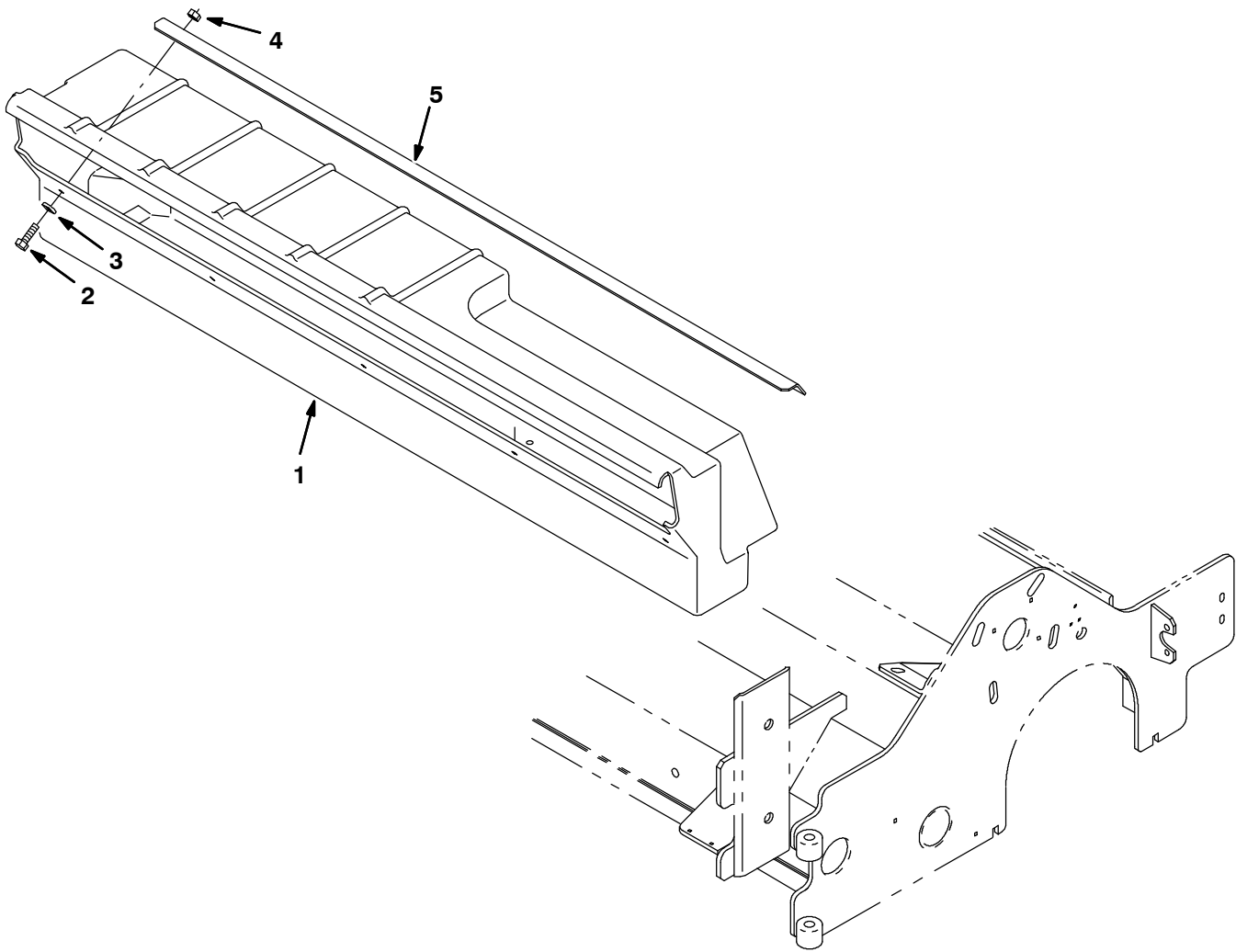


Fig. 47 - Max Pro 1200 (Cylindrical Brush) Left Side Squeegee Group

Ref.	Tennant Part No.	Machine Serial Number	Description	Qty.
1	386496	(000000-004999 )	Guard Wldt, Lh	1
1	1056495	(005000-	Guard Wldt, Lh, Iron Gray	1
2	09774	(000000-	Screw, Hex, M12 X 1.75 X 50, Ss	2
3	09741	(000000-	Nut, Hex, Lock, M12 X 1.75,Nl, Ss	2
4	33925	(000000-	Washer, Flat, M12, 13x24x2.5ss	4
5	386276	(000000-004999 )	Arm Wldt, Front, Lh	1
5	1056493	(005000-	Arm Wldt, Front, Lh, Iron Gray	1
6	25735	(000000-	Bushing, FIng, 0.63b 0.75d 0.38l	1
7	71607	(000000-	Bushing, Sleeve, 0.63b 0.72d 0.38l	3
8	64425	(000000-	Washer, Thrust, 0.61b 1.25d .06, Fgl	7
9	01686	(000000-	Washer, Flt, .38 Ss	4
10	386868	(000000-	Screw, Hex, M08x1.25 X12,Ss	4
11	386275	(000000-004999 )	Arm Wldt, Rear, Lh	1
11	1056492	(005000-	Arm Wldt, Rear, Lh, Iron Gray	1
12	386262	(000000-	Frame Wldt, Sqge, Side, Lh	1
13	386260	(000000-	Squeegee, Side	1
14	386986	(000000-	Guide, Point, Side Sqge	1
15	86759	(000000-	Retainer, Sqge	1
16	386987	(000000-	Pin, Clevis, 0.31d 0.88l	1
17	08085	(000000-	Pin, Hair Cotter, 0.31 D .058 Wir	1
18	87816	(000000-	Spring, Extn, 0.75od X 0.09wir, 2.5l	2
19	386088	(000000-	Bolt, Eye, M8 X 1.25, 2.75l	2
20	07786	(000000-	Nut, Hex, Std, M08 X 1.25, Ss	4
21	41305	(000000-	Pin, Clevis, 0.37 D X 0.75l	2
22	1056875	(000000-	Arm, Latch, Iron Gray	2
23	09744	(000000-	Screw, Hex, M06 X 1.0 X 12, Ss	2
24	01684	(000000-	Washer, Flt, .25 Ss	2
25	17404	(000000-	Pin, Roll, .250 D X 0.75l, .250/.256	2
26	59661	(000000-	Latch	1
27	16949	(000000-	Screw, Hex, .25-20 X 0.75, Sems	4

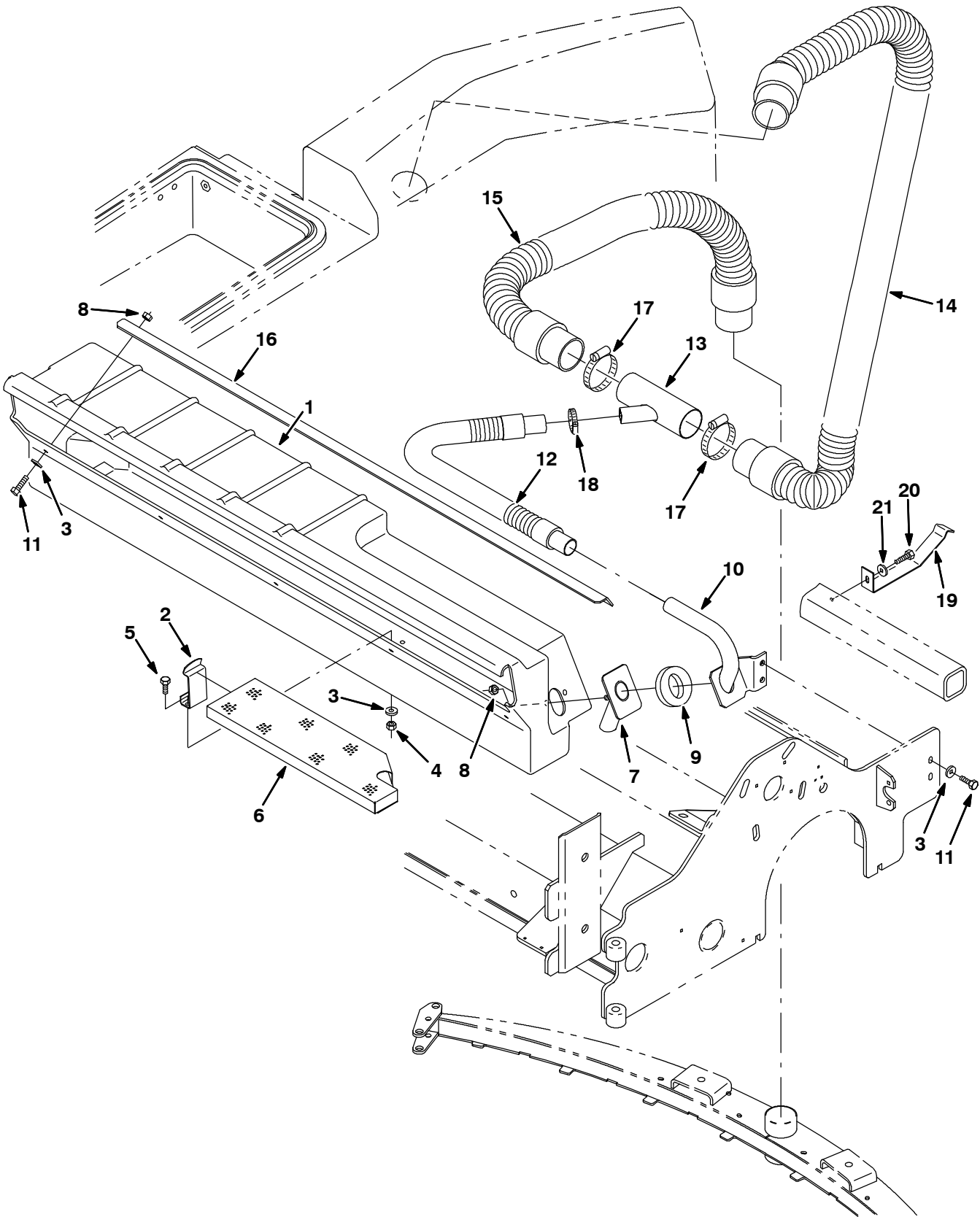
Fig. 48 - Max Pro 1200 (Cylindrical Brush) Debris Tray Group



**Fig. 48 - Max Pro 1200 (Cylindrical Brush) Debris Tray Group**

<b>Ref.</b>	<b>Tennant Part No.</b>	<b>Machine Serial Number</b>	<b>Description</b>	<b>Qty.</b>
1	387672	(000000-	) Tray, Debris, 48L, W/Holes	1
2	08716	(000000-	) Screw, Hex, M6X1.0X20, Ss	5
3	01684	(000000-	) Washer, Flat, 0.25 Ss	5
4	08712	(000000-	) Nut, Hex, Lock, M6X1.0, Ss, NI	5
5	1057527	(000000-	) Angle, Iron Gray	1

Fig. 49 - Max Pro 1200 (Cylindrical Brush) Vacuumized Debris Tray Group

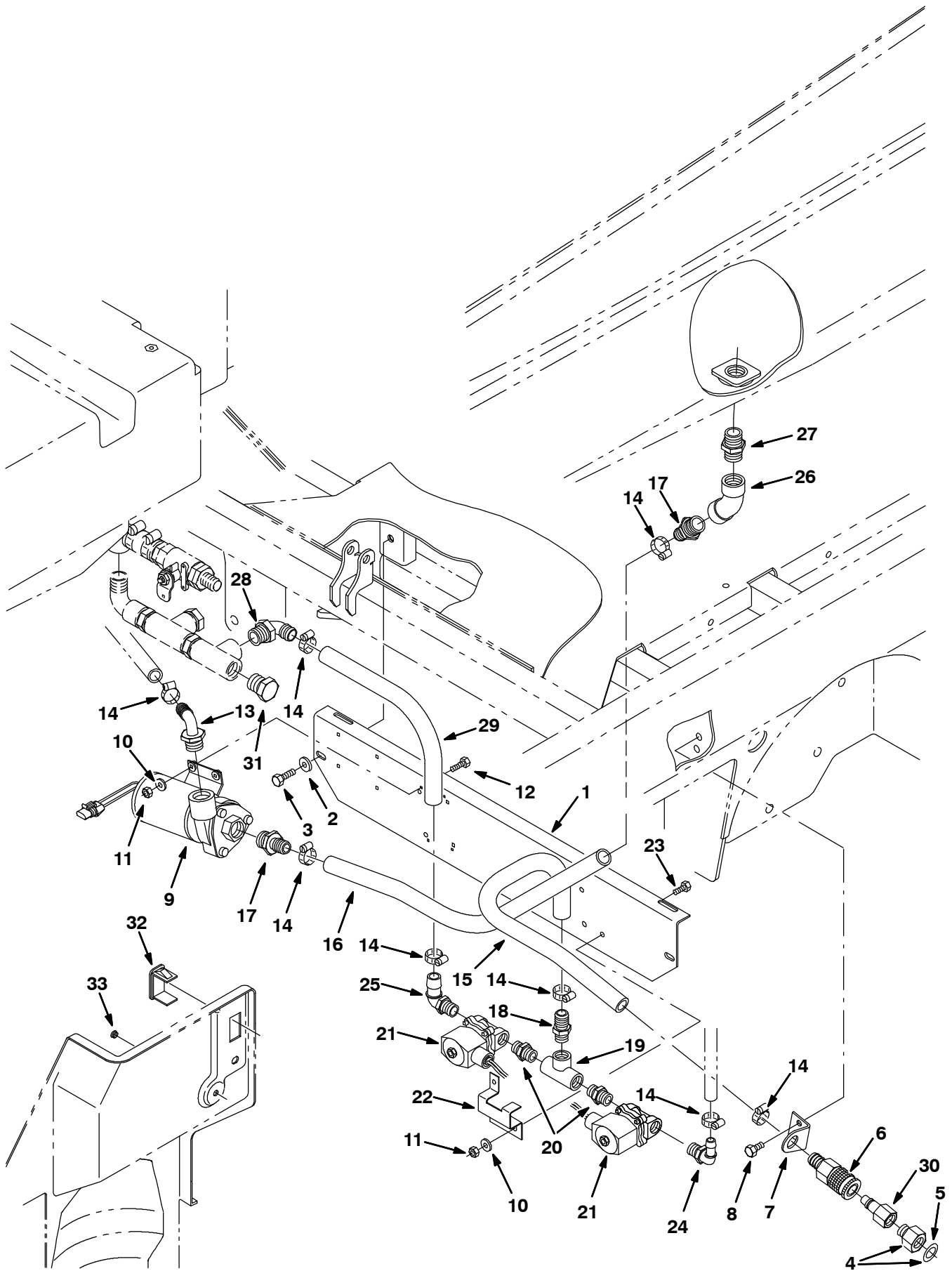




**Fig. 49 - Max Pro 1200 (Cylindrical Brush) Vacuumized Debris Tray Group**

<b>Ref.</b>	<b>Tennant Part No.</b>	<b>Machine Serial Number</b>	<b>Description</b>	<b>Qty.</b>
1	386513	(000000-	) Tray, Debris, 48.0l	1
2	87244	(000000-	) Clip, Spring, Prop Arm	1
3	01684	(000000-	) Washer, Flt, .25 Ss	14
4	08712	(000000-	) Nut, Hex, Lock, M06 X 1.0, NI, Ss	2
5	09744	(000000-	) Screw, Hex, M06 X 1.0 X 12, Ss	2
6	386500	(000000-	) Screen Wldt	1
7	1057520	(000000-	) Tube Wldt, Vacuum, Scrbr Head, Iron Gray	1
8	08712	(000000-	) Nut, Hex, Lock, M06 X 1.0, NI, Ss	7
9	386504	(000000-	) Gasket, Foam	1
10	1057521	(000000-	) Tube Wldt, Upper, Iron Gray	1
11	08716	(000000-	) Screw, Hex, M06 X 1.0 X 20, Ss	7
12	222788	(000000-001702	) Hose Assy, W/2cuff, 1.0d, 23l	1
12	387517	(001703-	) Hose Assy, W/2cuff, 1.0d, 41l	1
13	386518	(000000-	) Tube Wldt	1
14	386514	(000000-001702	) Hose, Vacuum, 58.5l	1
14	1005133	(001703-	) Hose Assy, W/2cuff, 2.0d 75l	1
15	387256	(000000-001702	) Hose, Vacuum, 35.0l	1
15	1005135	(001703-	) Hose Assy, W/2cuff, 2.0d 26l	1
16	1057527	(000000-	) Angle, Iron Gray	1
17	14432	(000000-	) Clamp, Hose, Wormdrive, 1.81-2.75d	2
18	11399	(000000-	) Clamp, Hose, Wormdrive, 0.81-1.50d	1
19	1002464	(001703-	) Bracket, Tube , Tee	1
20	361339	(001703-	) Screw, Hex, M 6 X 1.0 X 16, Fmg	1
21	32483	(001703-	) Washer, Flat, 0.25 Sae	1

Fig. 50 - ES Pump Group

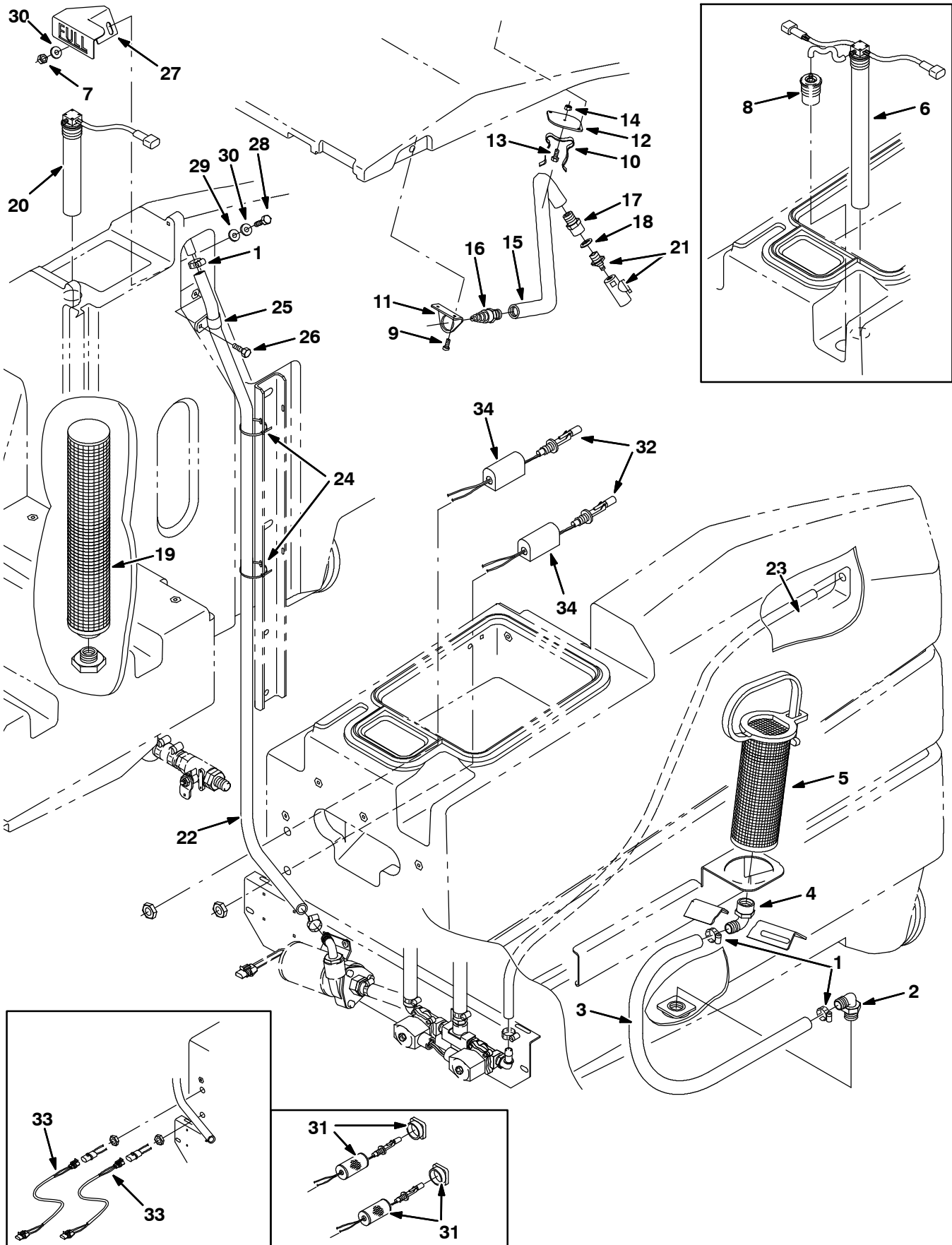


**Fig. 50 - ES Pump Group**

NOTE: ES™ Kit, TENNANT Part Number 386557, includes Fig. 50, Fig. 51, and Fig. 52.

Ref.	Tennant Part No.	Machine Serial Number	Description	Qty.
1	1056864	(000000-	) Angle, Mtg, Es, Iron Gray	1
2	01685	(000000-	) Washer, Flt, .31 Ss	2
3	09010	(000000-	) Screw, Hex, M08 X 1.25 X 25, Ss	2
▽ 4	375322	(000000-	) Kit, Fitting, Garden Hose	1
▲ 5	01316	(000000-	) Washer, Rbr, .12 0.66b 1.00d	1
6	24105	(000000-	) Fitting, Brs, Qdc, Bm12/Qf08	1
7	1056866	(000000-	) Bracket, Mtg, Es, Iron Gray	1
8	15675	(000000-	) Screw, Hex, M08 X 1.25 X 16, Ss	2
9	369865	(000000-	) Pump, Solution, Impeller, 36vdc	1
10	01684	(000000-	) Washer, Flt, .25 Ss	7
11	08712	(000000-	) Nut, Hex, Lock, M06 X 1.0, NI, Ss	7
12	09007	(000000-	) Screw, Hex, M06 X 1.0 X 25, Ss	4
13	73468	(000000-	) Fitting, Plstc, E90, Bm10/Pm12	1
14	63810	(000000-	) Clamp, Hose, Wormdrive, 0.56-1.06d	8
15	73475	(000000-	) Hose, Pvc, Brd, 0.75id 1.00od 19.00l	1
16	385666	(000000-	) Hose, Pvc, Brd, 0.75id 1.00od 26.00l	1
17	79273-2	(000000-	) Fitting, Plstc, Str, Bm12/Pm12	2
18	78398	(000000-	) Fitting, Plstc, Str, Bm12/Pm08	1
19	79497	(000000-	) Fitting, Plstc, Tee, Pf08/Pf08/Pf08	1
20	86508	(000000-	) Fitting, Plstc, Str, Pm08/Pm08	2
21	41410	(000000-	) Valve, Solenoid, 36vdc	2
22	1056839	(000000-	) Bracket, Sppt, Auto Fill, Iron Gray	1
23	15678	(000000-	) Screw, Hex, M06 X 1.0 X 16, Ss	3
24	63244-1	(000000-	) Fitting, Plstc, E90, Bm08/Pm08	1
25	63244-2	(000000-	) Fitting, Plstc, E90, Bm12/Pm08	1
26	10575	(000000-	) Fitting, Plstc, E45, Pf12/Pf12	1
27	24544	(000000-	) Fitting, Plstc, Str, Pm12/Pm12	1
28	14877	(000000-	) Fitting, Plstc, E90, Bm12/Pm12	1
29	387340	(000000-	) Hose, Water, Vyl, Brd, .75ld 14.0L	1
30	33295	(000000-	) Fitting, Qm, Male	1
31	75611	(000000-	) Fitting, Plstc, Plug, Pm12	1
32	398501	(000000-	) Plug, Hole, Rt, Rocker Switch, .87 X 1.7	1
33	33807	(000000-	) Plug, Hole, Rnd, 0.44h .03-.12, Blk Nyl	1

**Fig. 51 - ES Tank Goup**

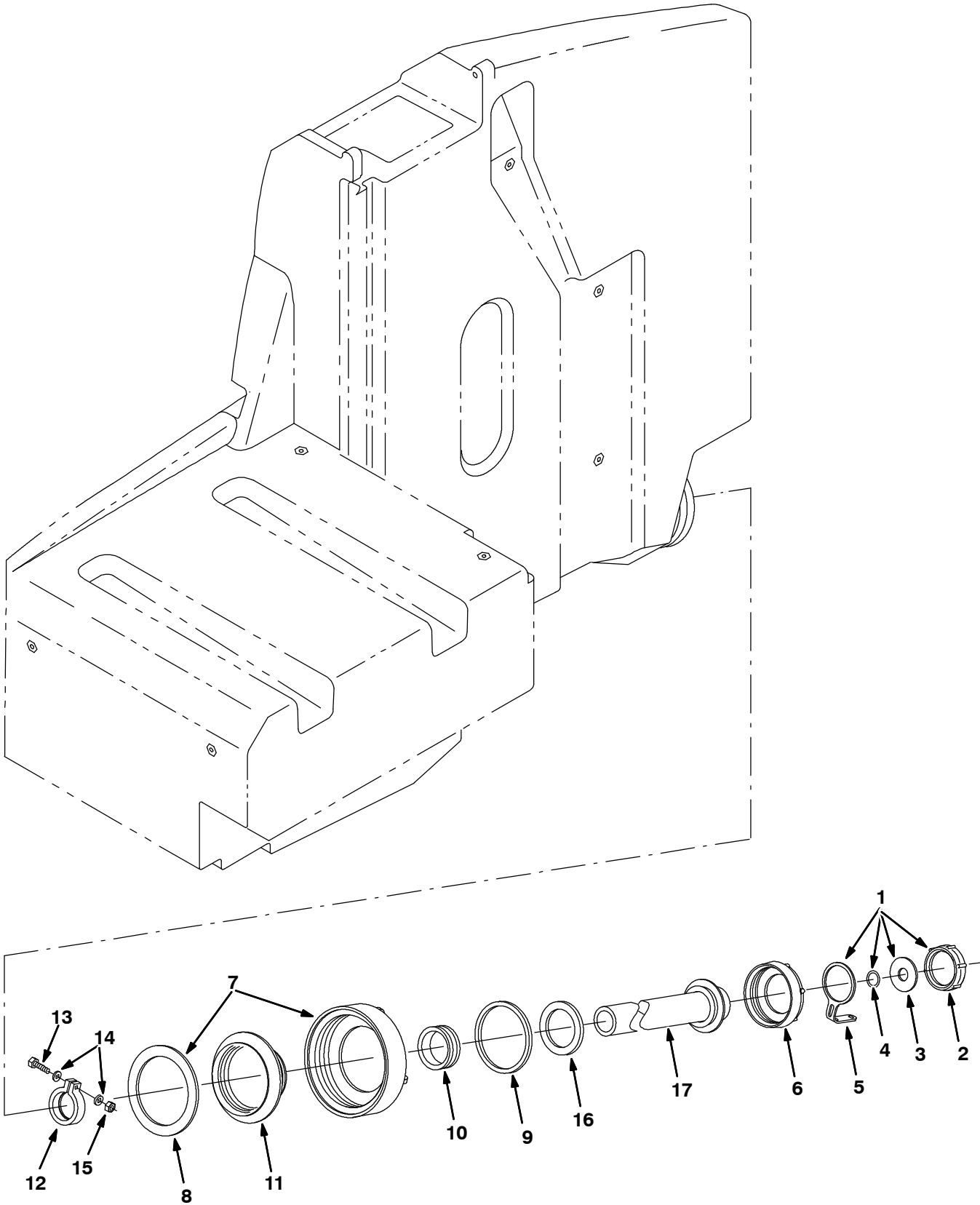


**Fig. 51 - ES Tank Group**

NOTE: ES™ Kit, TENNANT Part Number 386557, includes Fig. 50, Fig. 51, and Fig. 52.

Ref.	Tennant Part No.	Machine Serial Number	Description	Qty.
1	63810	(000000-	) Clamp, Hose, Wormdrive, 0.56-1.06d, .56w	3
2	14877	(000000-	) Fitting, Plstc, E90, Bm12/Pm12	2
3	387266	(000000-	) Hose, Vyl, Brd, .75id 28.0l	1
4	24543	(000000-	) Fitting, Plstc, E90, Bm12/Pf12	1
5	386652	(000000-	) Strainer, Pump, Es	1
6	375427	(000000-001541	) Switch Assy, Dual Press, 14" Tube	1
7	08713	(000000-	) Nut, Hex, Lock, M08 X 1.25,NI, Ss	1
8	13292	(000000-001541	) Hose, Vacuum, 0.16id X 05.0l	1
9	360943	(000000-	) Screw, Pan, #10-14 X 0.75, F/ Plstc	4
10	67004	(000000-	) Clip, Finger Grip	1
11	1056923	(000000-	) Angle, Wand, Clean-Out, Iron Gray	1
12	1056924	(000000-	) Plate, Wand, Clean-Out, Iron Gray	1
13	09206	(000000-	) Screw, Hex, M04 X 0.7 X 12, 8.8	1
14	02850	(000000-	) Nut, Hex, Lock, M04 X 0.7, NI	1
15	387109	(000000-	) Wand, Clean-Out	1
16	387159	(000000-	) Nozzle, Water	1
17	387160	(000000-	) Fitting, Plstc, Str, 08pmtxgarden	1
18	387161	(000000-	) Washer, Rbr, .68idx1.0od	1
19	387045	(000000-	) Strainer, Tank, Solution	1
20	375426	(000000-	) Switch Assy, Press, 3 Inch, 8" Tube	1
21	382991	(000000-	) Valve, Flow Control, Hose Adapter	1
22	387236	(000000-	) Hose, Vyl, Brd, .62id 55.0l	1
23	375308	(000000-	) Hose, Pvc, Clr, 0.50id 0.69od 50.00l	1
24	49266	(000000-	) Tie, Cable, Nyl, 07.3l .19w 1.8 Max D	2
25	69234	(000000-	) Clamp, Cable, Stl, 1.00d X 0.62w, 1h	1
26	49826	(000000-	) Screw, Hex, M08 X 1.25 X 16, Ss, NI	1
27	387061	(000000-	) Bracket, Full	1
28	09011	(000000-	) Screw, Hex, M08 X 1.25 X 30, Ss	1
29	63416	(000000-	) Washer, 0.31b 0.88d .12, Rbr	1
30	01685	(000000-	) Washer, Flt, .31 Ss	2
31	375302	(001542-002264	) Strainer, Soltn, Switch Guard (Repl By 1019285)	2
32	222822	(001542-002036	) Sensor, Level, Liquid [Magnetic]	2
32	385685	(002037-	) Sensor, Level, Liquid [Magnetic]	2
33	369766	(001542-002036	) Harness, Sensor, Jumper	2
34	1019285	(002265-	) Bracket, Protector, Float Switch	2

Fig. 52 - ES Drain Assembly



**Fig. 52 - ES Drain Assembly**

NOTE: ES™ Kit, TENNANT Part Number 386557, includes Fig. 50, Fig. 51, and Fig. 52.

	<b>Ref.</b>	<b>Tennant Part No.</b>	<b>Machine Serial Number</b>	<b>Description</b>	<b>Qty.</b>
▽		387467	(000000-	) Kit, Drain Hose, Solution Side	1
▲▽	1	32501	(000000-	) Kit, Cap, Drain	1
▲▲	2	32613	(000000-	) Cap, Tank, Drain, 2.25 Thread Pye	1
▲▲	3	32614	(000000-	) Gasket, Cap	1
▲▲	4	32669	(000000-	) Ring, Retaining, Ext, 0.75d, Ss	1
▲▲	5	32508	(000000-	) Strap	1
▲	6	14880	(000000-	) Cap, Tank, Drain, 3.85 Thread Pye	1
▲▽	7	24358	(000000-	) Cap, Tank	1
▲▲	8	1031699	(000000-	) Gasket, .19, 4.05id 5.29od [Buna]	1
▲	9	79320	(000000-	) Gasket, Cap, Drain	1
▲	10	41421	(000000-	) Seal	1
▲	11	14864	(000000-	) Cover, Insert	1
▲	12	41454	(000000-	) Clamp, Hose, Plstc, 1.60d X 0.62w	1
▲	13	12316	(000000-	) Screw, Hex, M05 X 0.8 X 25, Ss	1
▲	14	01683	(000000-	) Washer, Flt, #10 Ss	1
▲	15	09739	(000000-	) Nut, Hex, Lock, M05 X 0.8, NI, Ss	1
▲	16	41451	(000000-	) Gasket, Lid	1
▲	17	386423	(000000-	) Hose Assy, Drain	1

Fig. 53 - ec-H2O Solution Pump Group

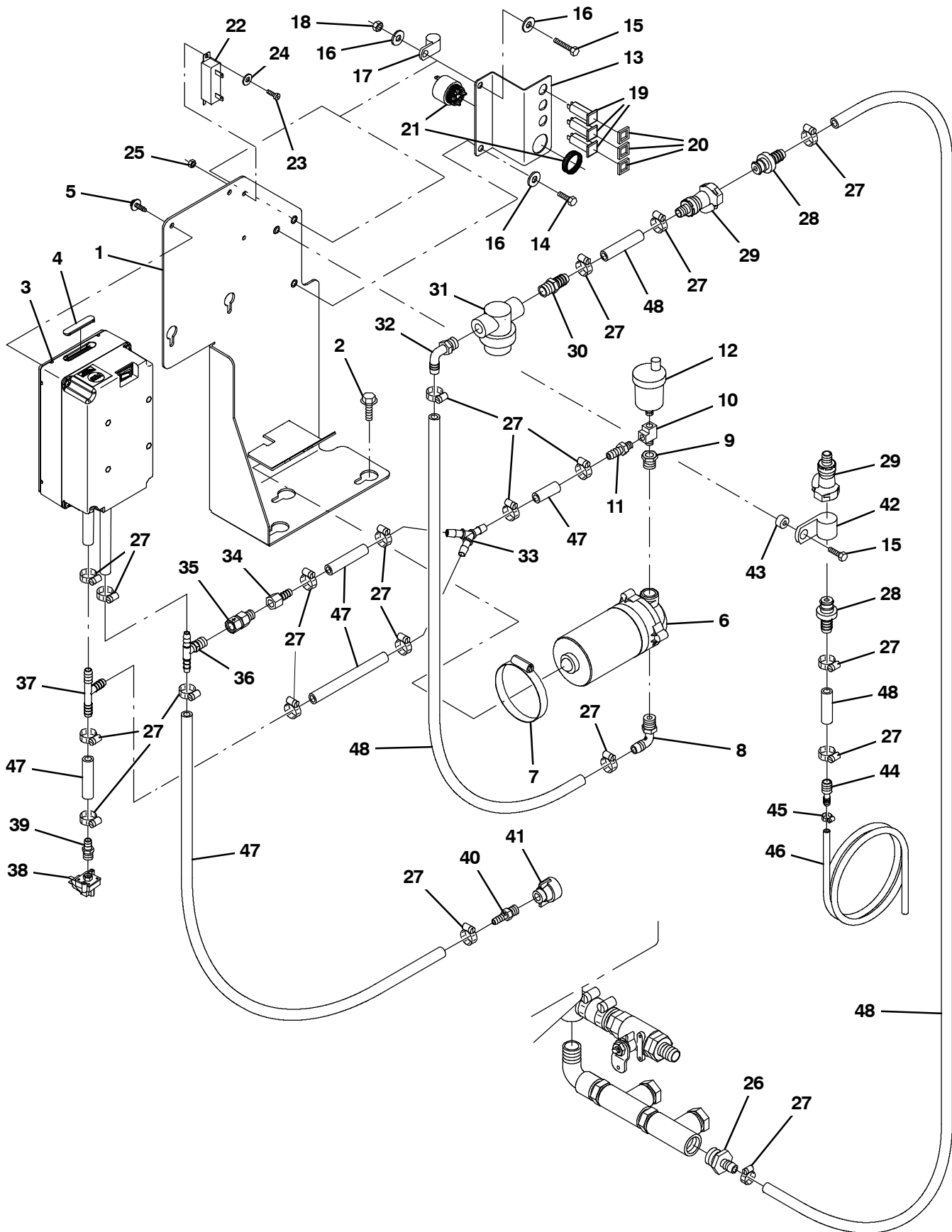
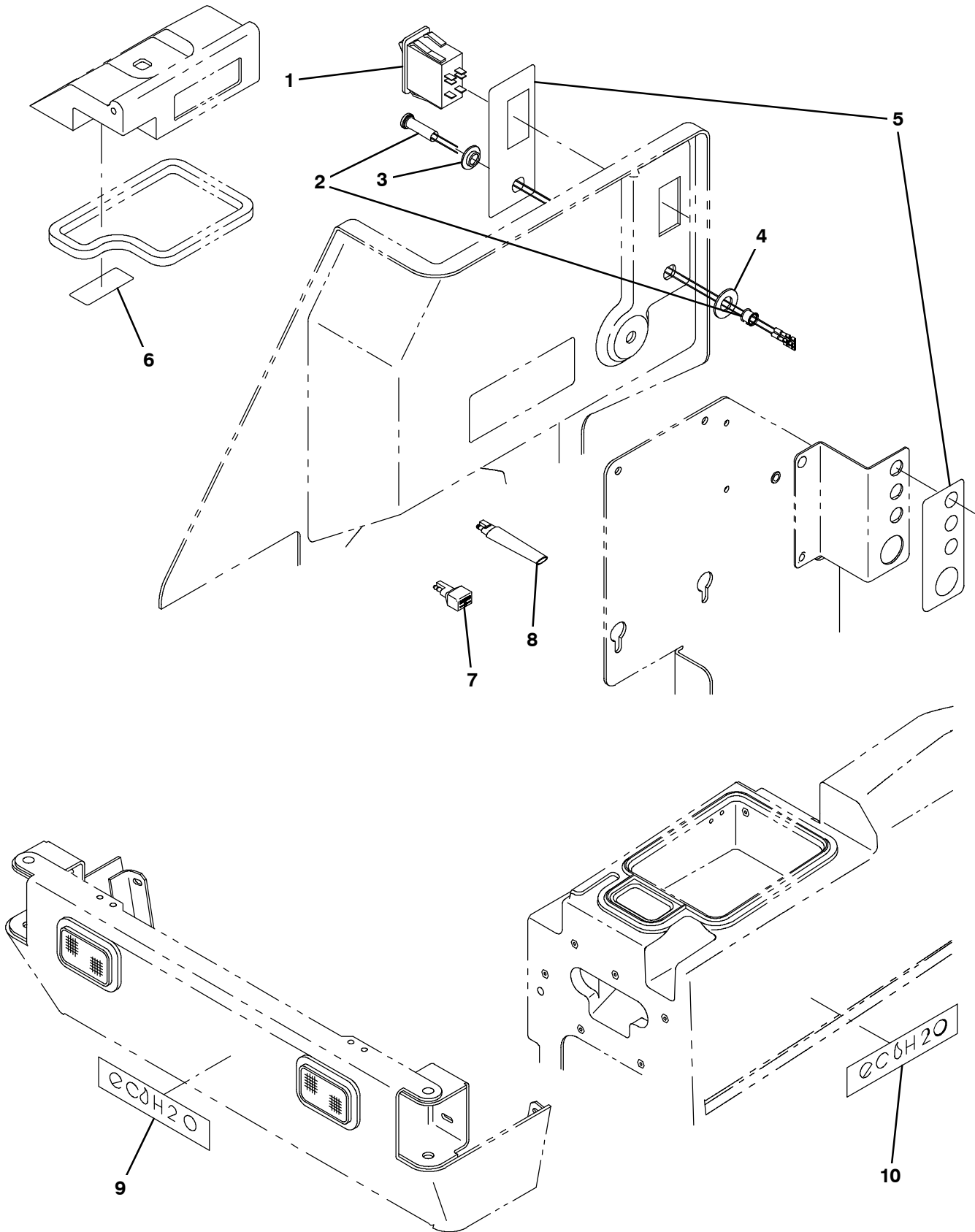




Fig. 53 - ec-H2O Solution Pump Group

Ref.	Tennant Part No.	Machine Serial Number	Description	Qty.
1	1055336	(000000-	) Bracket Wldt, Module	1
2	1037346	(000000-	) Screw, Hex, M8 X 1.25 X 25, 9.8, Sems	3
3	9006270	(000000-	) Module Kit, Replmt [ec-H2O] (See Breakdowns)	1
4	1054776	(000000-	) Grommet, Blind	1
5	1040467	(000000-	) Screw, Hex, M6 X 1.00 X 20, 9.8, Sems	4
6	1005866	(000000-	) Pump, Soltn, Ele, 36vdc (See Breakdowns)	1
7	17188	(000000-	) Clamp, Hose, Wormdrive, 2.50-3.50d, .50w	1
8	64778	(000000-	) Fitting, Plstc, E90, Bm08/Pm06	1
9	24698	(000000-	) Fitting, Brs, Str, Pf02/Pm06	1
10	26426	(000000-	) Fitting, Brs, Tee, Pf02/Pf02/Pm02, Run	1
11	1005375	(000000-	) Fitting, Plstc, Str, Bm06/Pm02, Nyl	1
12	1017386	(000000-	) Valve, Vent, Air, Float Type	1
13	1052683	(000000-	) Bracket, Component	1
14	16735	(000000-	) Screw, Hex, M8 X 1.25 X 16, 8.8	1
15	76570	(000000-	) Screw, Hex, M8 X 1.25 X 30, 8.8	2
16	32490	(000000-	) Washer, Flat, 0.25, Std	3
17	82829	(000000-	) Clamp, Cable, Stl, 0.63d X 0.75w, 1hole	1
18	08709	(000000-	) Nut, Hex, Lock, M8 X 1.25, NI	1
19	1053078	(000000-	) Circuitbreaker, 2.0a, Resetable	3
20	1046173	(000000-	) Boot, Circuitbreaker	3
21	1052726	(000000-	) Alarm, 9-48vdc, 95 Db(A) [Ec-H2O]	1
22	1056416	(000000-	) Resistor, 011.00 Ohm, 0040Watt [5%]	1
23	12312	(000000-	) Screw, Hex, M5 X 0.80 X 12, 8.8	2
24	01683	(000000-	) Washer, Flat, 10, Ss	2
25	07789	(000000-	) Nut, Hex, Flng, M5 X 0.80	2
26	79273-1	(000000-	) Fitting, Plstc, Str, Bm08/Pm12	1
27	54333	(000000-	) Clamp, Hose, Wormdrive, 0.31-0.88d, .31w	19
28	1017415	(000000-	) Insert, Cplg, Qm, Bm08	2
29	1017413	(000000-	) Housing, Cplg, Qf / Pm08	2
30	64743	(000000-	) Fitting, Plstc, Str, Bm08/Pm06	1
31	1005302	(000000-	) Filter, In-Line, Pf06/Pf06 080mesh 02.6l	1
32	64778	(000000-	) Fitting, Plstc, E90, Bm08/Pm06	1
33	1017255	(000000-	) Fitting, Plstc, Y, Bm06/Bm06/Bm06, Nyl	1
34	150511	(000000-	) Fitting, Brs, Str, Bm06/Pf04	1
35	1055255	(000000-	) Valve, Check, 0030psi Pm04/Pf04	1
36	1052832	(000000-	) Fitting, Plstc, Tee, Bm05/Bm05/Pm04	1
37	87173	(000000-	) Fitting, Plstc, Tee, Bm06/Bm06/Bm06	1
38	1055254	(000000-	) Switch, Press, 25 Psi, Pm02	1
39	150016	(000000-	) Fitting, Brs, Str, Bm06/Pf02, Spcl	1
40	1052017	(000000-	) Fitting, Plstc, Str, Bm05/Pm04	1
41	1043866	(000000-	) Fitting Assy, Qdc, Pf04	1
42	40678-1	(000000-	) Clamp, Cable, Stl, 0.88d X 0.62w, 1hole	1
43	360352	(000000-	) Tube, 0.34id 0.62od 00.2l, Stl	1
44	630164	(000000-	) Fitting, Plstc, Str, Bm04/Bm08	1
45	43844	(000000-	) Clamp, Hose, Wormdrive, 0.25-0.62d, .31w	1
46	1011411	(000000-	) Hose, Afmkt, Pvc, Brd, 0.25id, 03ft	1
47	1052336	(000000-	) Hose, Afmkt, Pvc, Brd, 0.31Id, 03Ft, Clr	1
48	1011412	(000000-	) Hose, Afmkt, Pvc, Brd, 0.50id, 08ft, Clr	1

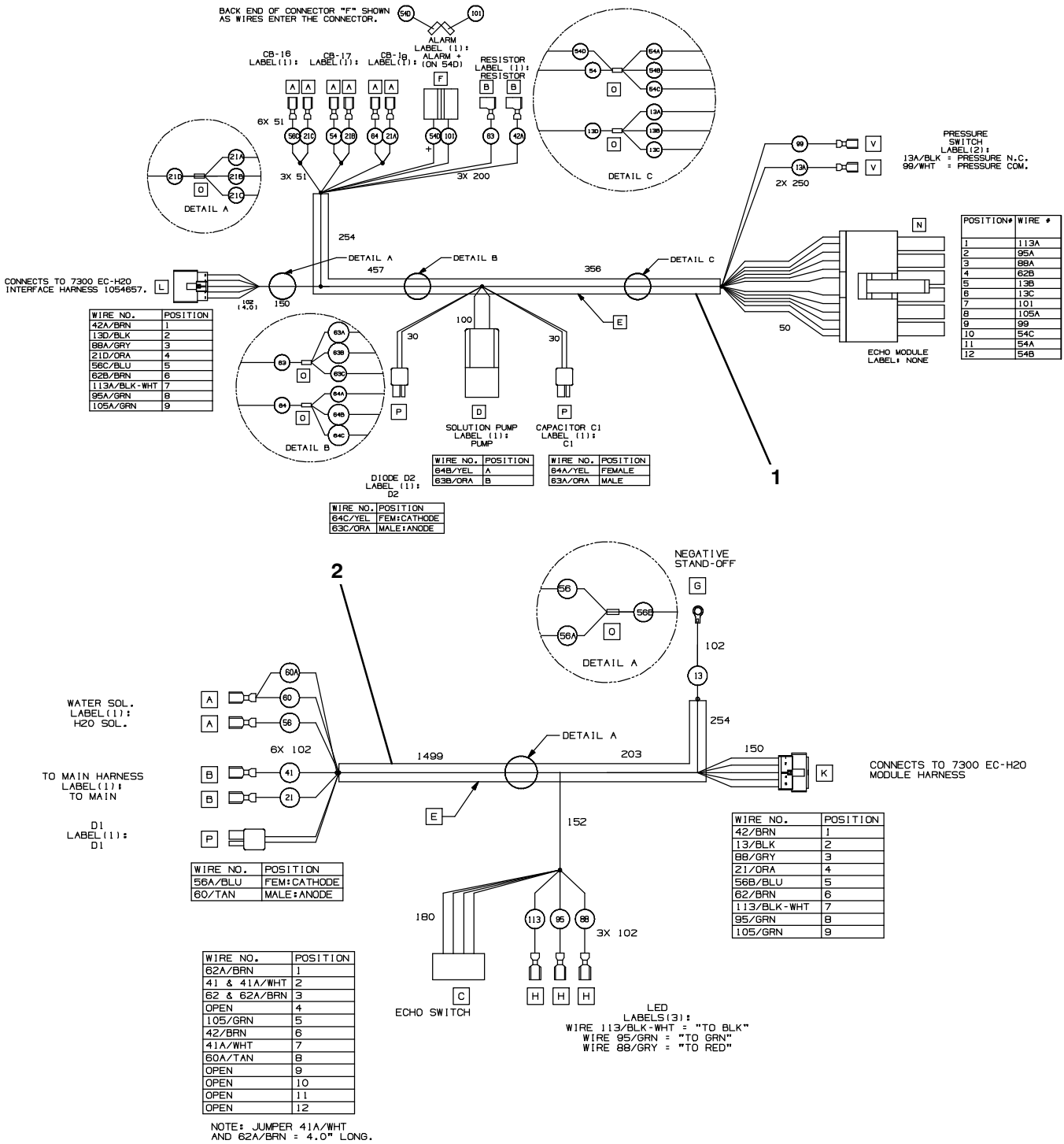
Fig. 54 - ec-H2O Switch and Label Group



**Fig. 54 - ec-H20 Switch and Label Group**

<b>Ref.</b>	<b>Tenant Part No.</b>	<b>Machine Serial Number</b>	<b>Description</b>	<b>Qty.</b>
1	377084	(000000-	) Switch, Rocker, Prgrsv	1
2	1041822	(000000-	) Light, Led, .312d, 2 Volt [Tri-Color]	1
3	1055883	(000000-	) Bushing, Light, Led	1
4	43454	(000000-	) Washer, Flat, 0.34b 0.69d .06, Nyl	1
5	1056331	(000000-	) Label Set, Opertnl [7300 ec-H2O]	1
6	1050003	(000000-	) Label [User, Attention, Ec-H2o]	1
7	222290	(000000-	) Diode, Ele, Plug	1
8	1040868	(000000-	) Capacitor, Plug [.01 Uf, 200v]	1
9	1052755	(000000-	) Label, Front [Ec-H2o, T15]	1
10	1056944	(000000-	) Label, Tank [ec-H20]	2

Fig. 55 - ec-H20 Wire Harnesses Group



354909

Ref.	Tennant Part No.	Machine Serial Number	Description	Qty.
1	1050664	(000000-	) Harness, Wire [7300 Ec-H2o, Module]	1
2	1054657	(000000-	) Harness, Wire [7300, Ec-H2o Interface]	1

**Fig. 56 - ec-H20 Install Kits**

<b>Ref.</b>	<b>Tenant Part No.</b>	<b>Machine Serial Number</b>	<b>Description</b>	<b>Qty.</b>
1	9006106	(000000-	) Ec-H2o Kit, Cylrcl, 1000mm, Ci [73/8300]	1
2	9006107	(000000-	) Ec-H2o Kit, Cylrcl, 1200mm, Ci[73/8300]	1
2	9006108	(000000-	) Ec-H2o Kit, Disk, Ci [7300/8300]	1

Fig. 57 - Positive Solution Control Drain Kit, Recovery Tank (000000-004999)

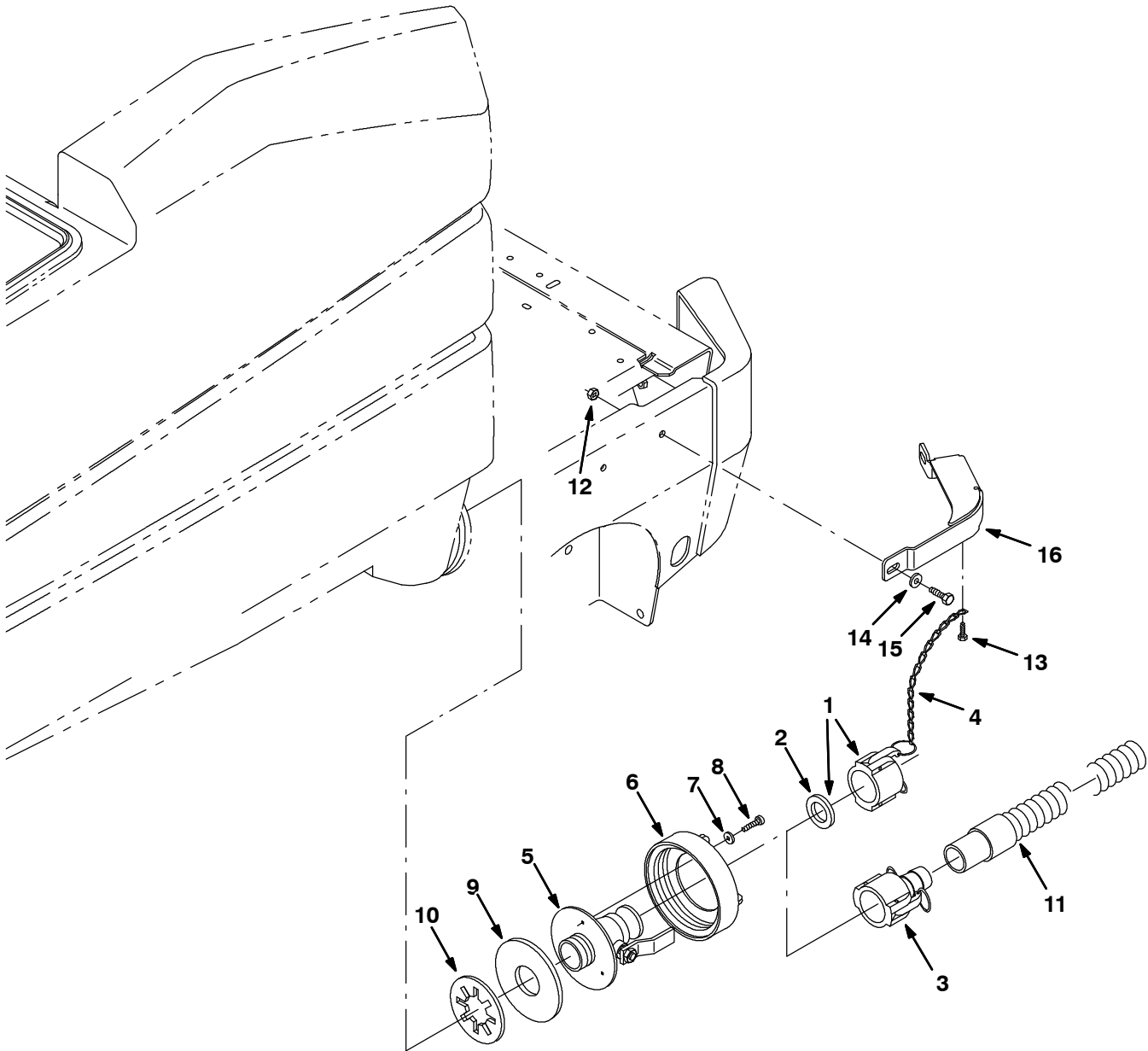


Fig. 57 - Positive Solution Control Drain Kit, Recovery Tank (000000-004999)

Ref.	Tennant Part No.	Machine Serial Number	Description	Qty.
▽	387127	(000000-004999 )	Kit, Ci, Drain, Soltn, Pos, Cntrl, Recvy	1
<del>▲▽</del>	<del>387221</del>	<del>(000000-004999 )</del>	<del>Cap Assy</del>	<del>1</del>
▲▽	1 48733	(000000-004999 )	Cap, Dust	1
▲▲	2 371905	(000000-004999 )	Gasket, Cap, Dust	1
▲	3 48734	(000000-004999 )	Fitting, Coupler, Hose, Shank, Fem	1
▲	4 19903	(000000-004999 )	Chain, Sash, #35, 07.2l 13 Link	1
▲	5 1049269	(000000-004999 )	Valve, Ball, Drain, 1.50ID, Ss, Rwk	1
▲	6 23456	(000000-004999 )	Cap, Tank, Drain, 6.17 Thread Pye	1
▲	7 01684	(000000-004999 )	Washer, Flt, .25 Ss	3
▲	8 09744	(000000-004999 )	Screw, Hex, M6 X 1.00 X 12, Ss	3
▲	9 1031700	(000000-004999 )	Gasket, .19, 2.00ld 5.38OD [BUNA]	1
▲	10 20932	(000000-004999 )	Washer, Polye	1
▲	11 75635	(000000-004999 )	Hose Assy, W/1cuff, 1.5d 120l 1.5/	1
▲	12 07792	(000000-004999 )	Nut, Hex, Flng, M10 X 1.5	2
▲	13 74455	(000000-004999 )	Screw, Hex, M6 X 1.0 X 12, Fmg	1
▲	14 32492	(000000-004999 )	Washer, Flt, .38 Std	2
▲	15 39284	(000000-004999 )	Screw, Hex, M10 X 1.5 X 35, 8.8	2
▲	16 387213	(000000-004999 )	Bumper, Posi Drain, Recvy Side	1

Fig. 58 - Positive Solution Control Drain Kit, Recovery Tank (005000- )

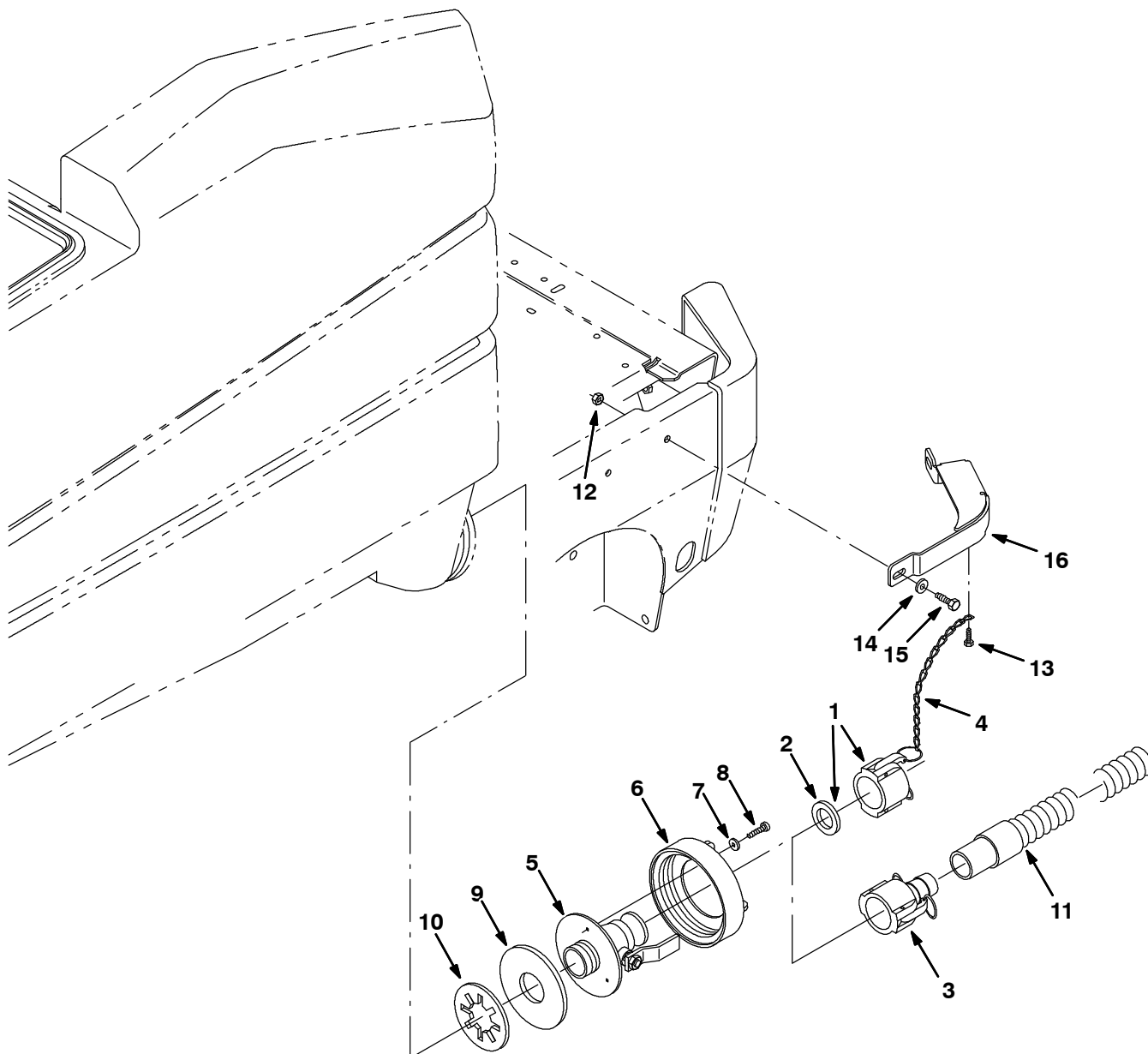
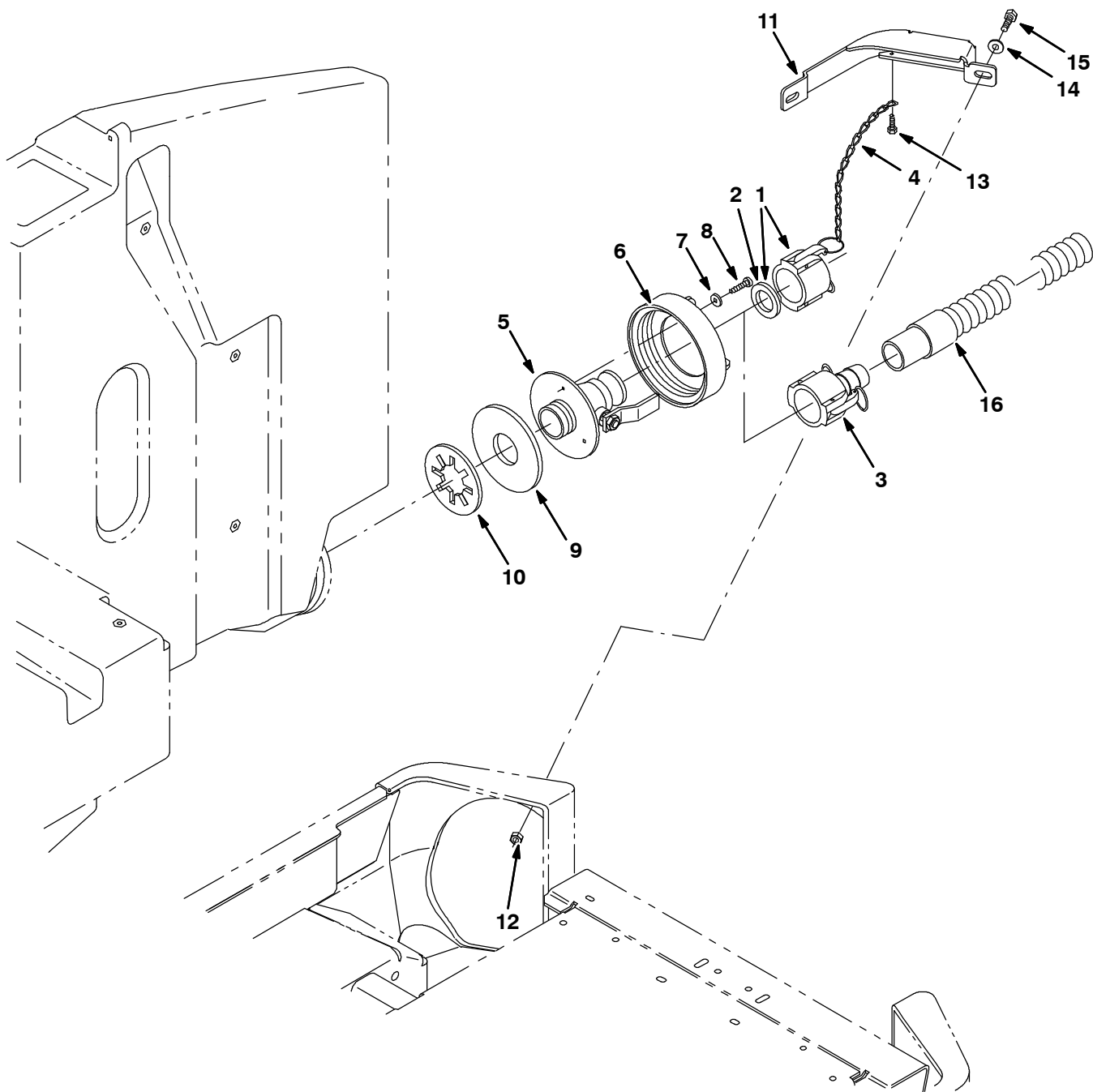




Fig. 58 - Positive Solution Control Drain Kit, Recovery Tank (005000- )

Ref.	Tennant Part No.	Machine Serial Number	Description	Qty.
▽	9006940	(005000- )	Drain Kit, Gray, Ci [Posi Cntrl/Recvy]	1
<del>▲▽</del>	<del>387221</del>	<del>(005000- )</del>	<del>Cap Assy</del>	<del>1</del>
▲▽	1 48733	(005000- )	Cap, Dust	1
▲▲	2 371905	(005000- )	Gasket, Cap, Dust	1
▲	3 48734	(005000- )	Fitting, Coupler, Hose, Shank, Fem	1
▲	4 19903	(005000- )	Chain, Sash, #35, 07.2l 13 Link	1
▲	5 1049269	(005000- )	Valve, Ball, Drain, 1.50ID, Ss, Rwk	1
▲	6 23456	(005000- )	Cap, Tank, Drain, 6.17 Thread Pye	1
▲	7 01684	(005000- )	Washer, Flt, .25 Ss	3
▲	8 09744	(005000- )	Screw, Hex, M6 X 1.00 X 12, Ss	3
▲	9 1031700	(005000- )	Gasket, .19, 2.00ld 5.38OD [BUNA]	1
▲	10 20932	(005000- )	Washer, Polye	1
▲	11 75635	(005000- )	Hose Assy, W/1cuff, 1.5d 120l 1.5/	1
▲	12 07792	(005000- )	Nut, Hex, Flng, M10 X 1.5	2
▲	13 74455	(005000- )	Screw, Hex, M6 X 1.0 X 12, Fmg	1
▲	14 32492	(005000- )	Washer, Flt, .38 Std	2
▲	15 39284	(005000- )	Screw, Hex, M10 X 1.5 X 35, 8.8	2
▲	16 1056799	(005000- )	Bumper, Side, Recvy, Gray [Posi Drain]	1

**Fig. 59 - Positive Solution Control Drain Kit, Solution Tank (000000-004999)**



**Fig. 59 - Positive Solution Control Drain Kit, Solution Tank (000000-004999)**

Ref.	Tennant Part No.	Machine Serial Number	Description	Qty.
▽	387483	(000000-004999 )	Kit, Ci, Drain, Soltn, Pos Cntrl, Soltn	1
▲▽	1 48733	(000000-004999 )	Cap, Dust	1
▲▲	2 371905	(000000-004999 )	Gasket, Cap, Dust	1
▲	3 48734	(000000-004999 )	Fitting, Coupler, Hose, Shank, Fem	1
▲	4 19903	(000000-004999 )	Chain, Sash, #35, 07.2l 13 Link	1
▲	5 1049269	(000000-004999 )	Valve, Ball, Drain, 1.50ID, Ss, Rwk	1
▲	6 23456	(000000-004999 )	Cap, Tank, Drain, 6.17 Thread Pye	1
▲	7 01684	(000000-004999 )	Washer, Flt, .25 Ss	3
▲	8 09744	(000000-004999 )	Screw, Hex, M6 X 1.00 X 12, Ss	3
▲	9 1031700	(000000-004999 )	Gasket, .19, 2.00ld 5.38OD [BUNA]	1
▲	10 20932	(000000-004999 )	Washer, Polye	1
▲	11 387126	(000000-004999 )	Bumper, Posi Drain, Recvy Side	1
▲	12 07792	(000000-004999 )	Nut, Hex, Flng, M10 X 1.5	2
▲	13 74455	(000000-004999 )	Screw, Hex, M6 X 1.0 X 12, Fmg	1
▲	14 32492	(000000-004999 )	Washer, Flt, .38 Std	2
▲	15 39284	(000000-004999 )	Screw, Hex, M10 X 1.5 X 35, 8.8	2
▲	16 75635	(000000-004999 )	Hose Assy, W/1cuff, 1.5d 120l 1.5/	1

**Fig. 60 - Positive Solution Control Drain Kit, Solution Tank (005000- )**

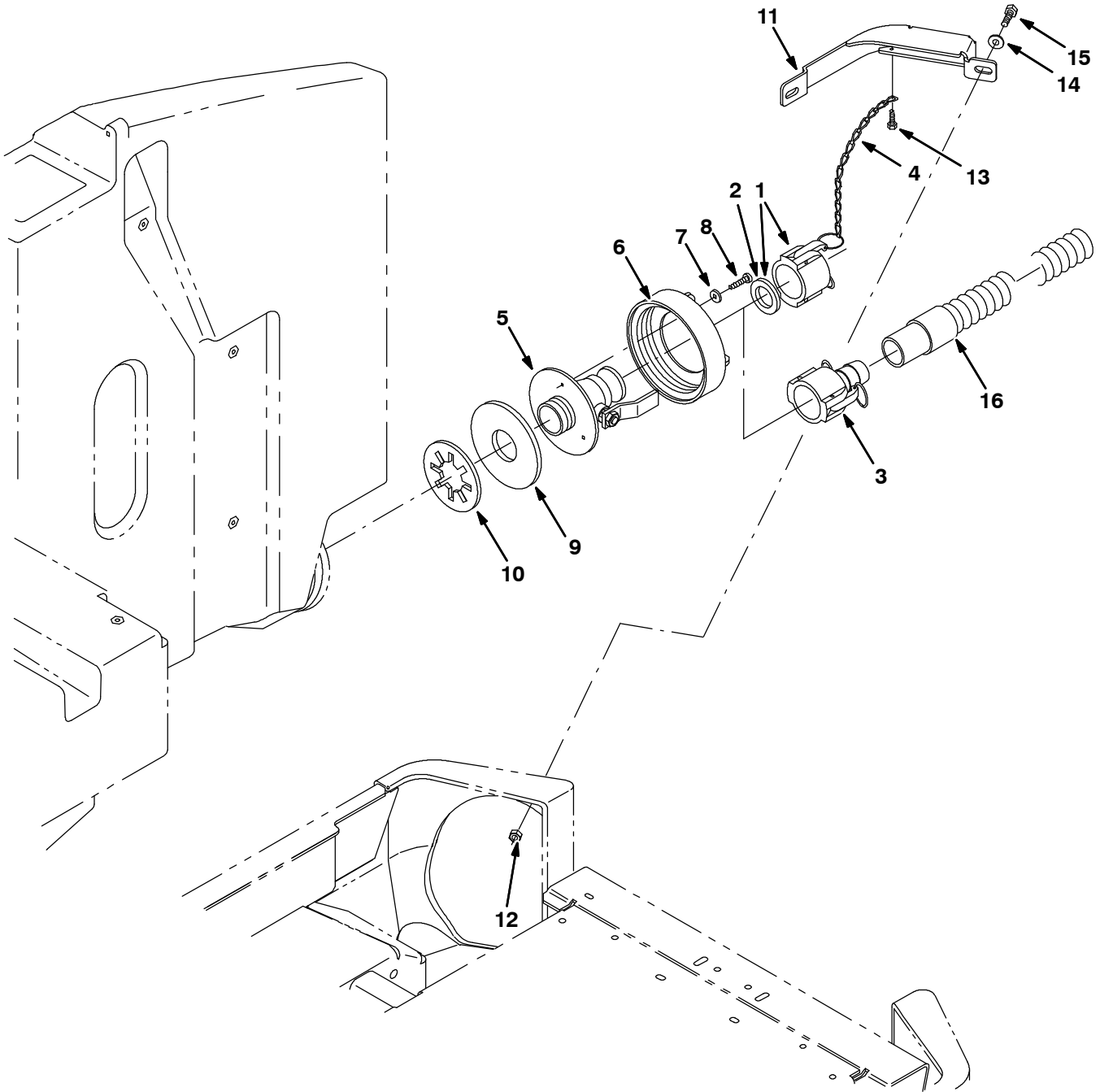


Fig. 60 - Positive Solution Control Drain Kit, Solution Tank (005000- )

Ref.	Tennant Part No.	Machine Serial Number	Description	Qty.
▽	9006959	(005000- )	Drain Kit, Gray, Ci [Posi Cntrl/Soltn]	1
▲▽	1 48733	(005000- )	Cap, Dust	1
▲▲	2 371905	(005000- )	Gasket, Cap, Dust	1
▲	3 48734	(005000- )	Fitting, Coupler, Hose, Shank, Fem	1
▲	4 19903	(005000- )	Chain, Sash, #35, 07.2l 13 Link	1
▲	5 1049269	(005000- )	Valve, Ball, Drain, 1.50ID, Ss, Rwk	1
▲	6 23456	(005000- )	Cap, Tank, Drain, 6.17 Thread Pye	1
▲	7 01684	(005000- )	Washer, Flt, .25 Ss	3
▲	8 09744	(005000- )	Screw, Hex, M6 X 1.00 X 12, Ss	3
▲	9 1031700	(005000- )	Gasket, .19, 2.00ld 5.38OD [BUNA]	1
▲	10 20932	(005000- )	Washer, Polye	1
▲	11 1056796	(005000- )	Bumper, Side, Soltn, Gray [Posi Drain]	1
▲	12 07792	(005000- )	Nut, Hex, Flng, M10 X 1.5	2
▲	13 74455	(005000- )	Screw, Hex, M6 X 1.0 X 12, Fmg	1
▲	14 32492	(005000- )	Washer, Flt, .38 Std	2
▲	15 39284	(005000- )	Screw, Hex, M10 X 1.5 X 35, 8.8	2
▲	16 75635	(005000- )	Hose Assy, W/1cuff, 1.5d 120l 1.5/	1



**Fig. 61 - Low Water Level Kit**

	<b>Ref.</b>	<b>Tennant Part No.</b>	<b>Machine Serial Number</b>	<b>Description</b>	<b>Qty.</b>
▽		387003	(000000-	) Kit, Ci, Indicator, Low Water Level	1
▲	1	375431	(000000-	) Kit, Replmt, Press Switch/34" Tube	1

Fig. 62 - Detergent Metering Kit

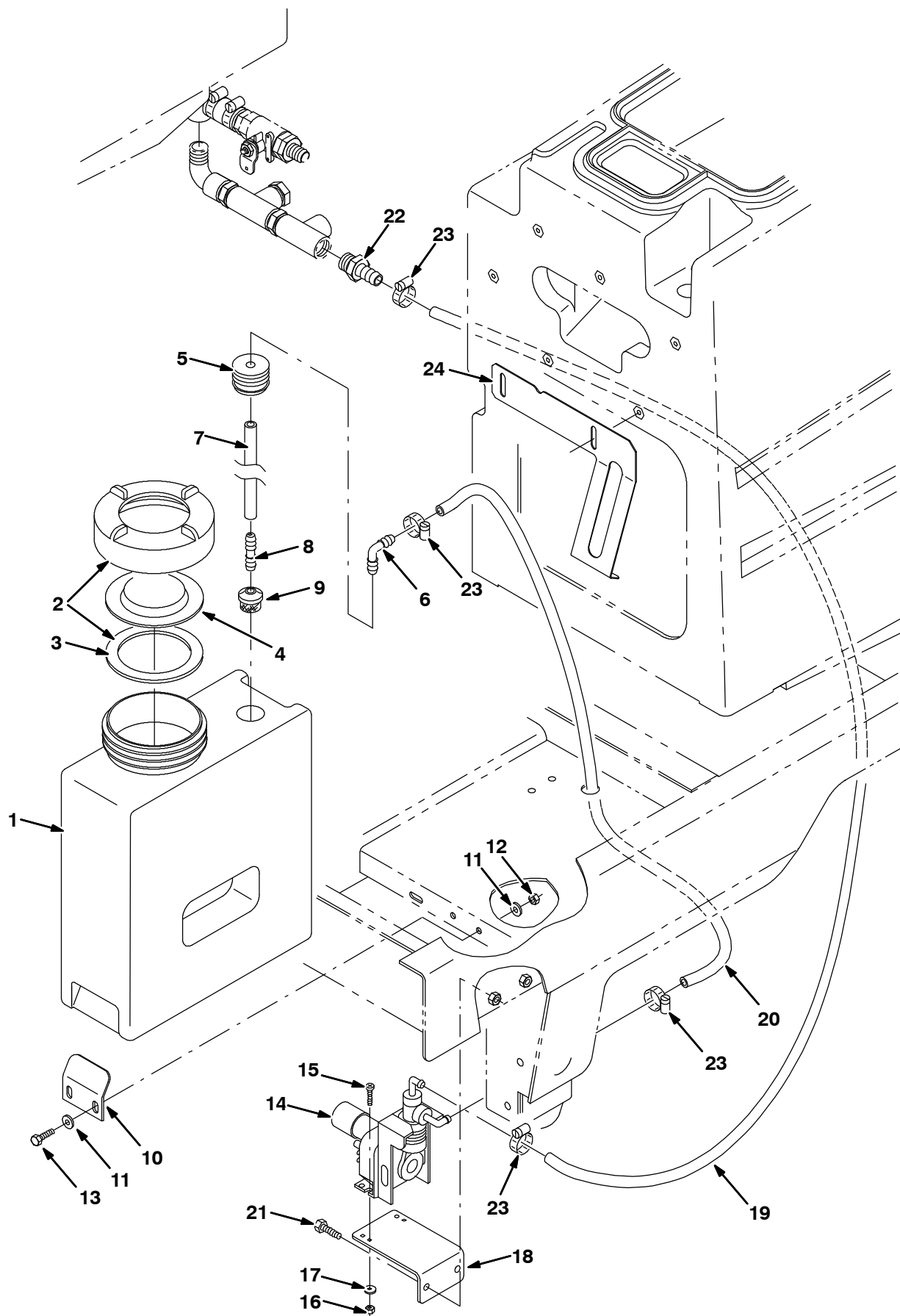
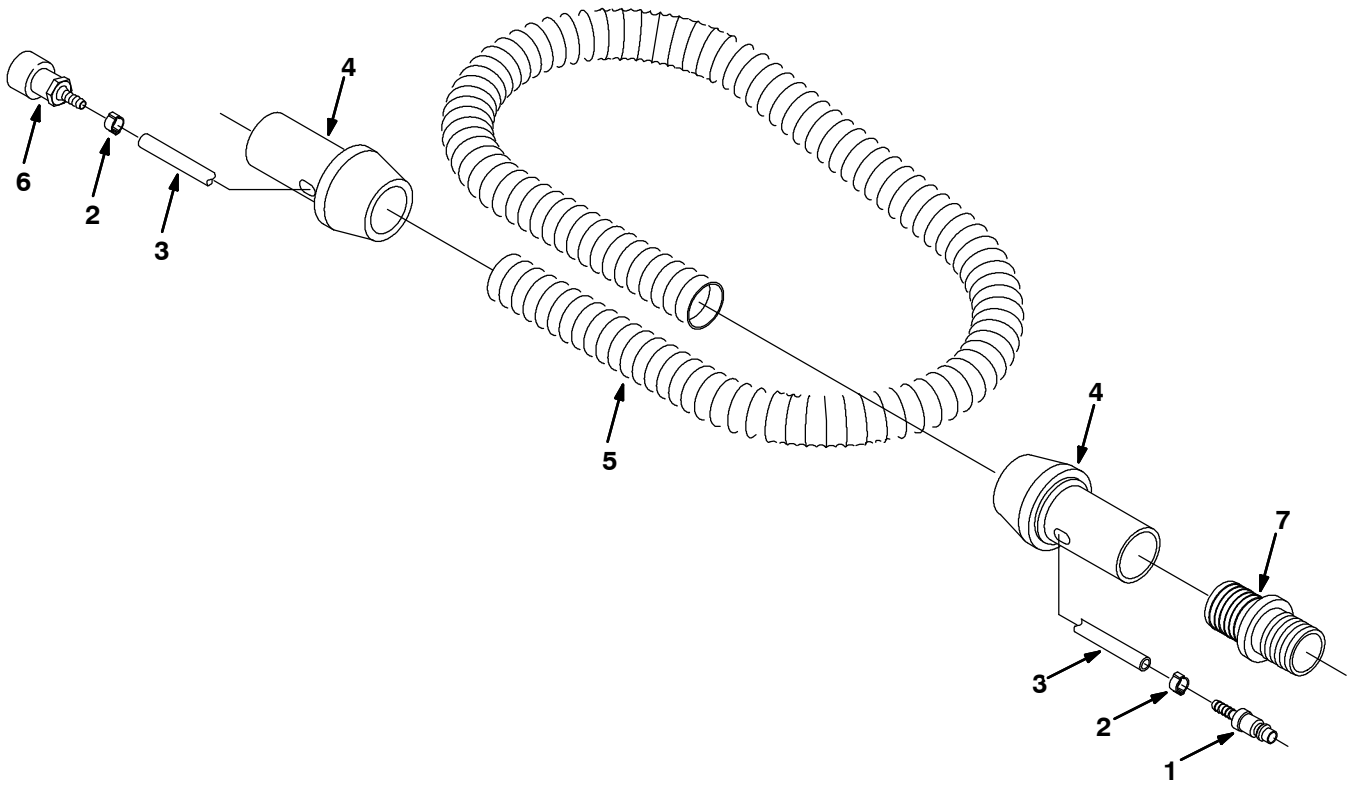




Fig. 62 - Detergent Metering Kit

	Ref.	Tennant Part No.	Machine Serial Number	Description	Qty.
▽		386482	(000000-	) Kit, Ci, Detgt Metering	1
▲	1	386163	(000000-	) Tank, Detergent	1
▲▽	2	24358	(000000-	) Cap, Tank	1
▲▲	3	1031699	(000000-	) Gasket, .19, 4.05id 5.29od [Buna]	1
▲	4	86636	(000000-	) Cover, Tank	1
▲	5	20944	(000000-	) Grommet, Pye, 0.37id, F/ 1.5h, .13matl	2
▲	6	20951	(000000-	) Fitting, Plstc, E90, 06bm/06bm	1
▲	7	382452	(000000-	) Hose, Pvc, Brd, 0.38id 0.60od 15.00l	1
▲	8	20950	(000000-	) Fitting, Plstc, Str, Bm06/Bm06	1
▲	9	20952	(000000-	) Screen, Pump	1
▲	10	1056867	(000000-	) Plate, Mtg, Tank, Detgt, Iron Gray	1
▲	11	01685	(000000-	) Washer, Flt, .31 Ss	4
▲	12	08713	(000000-	) Nut, Hex, Lock, M08 X 1.25,NI, Ss	2
▲	13	09023	(000000-	) Screw, Hex, M08 X 1.25 X 35, Ss	2
▲	14	386364	(000000-	) Pump, Detgt, 36vdc (See Breakdown)	1
▲	15	12323	(000000-	) Screw, Pan, M04 X 0.7 X 20, Ss	4
▲	16	33932	(000000-	) Nut, Hex, Lock, M04 X 0.7, NI, Ss	4
▲	17	41579	(000000-	) Washer, Flt, #08 Ss	4
▲	18	1056872	(000000-	) Angle, Mtg, Pump, Detgt, Iron Gray	1
▲	19	387049	(000000-	) Hose, Vyl, Brd .38id .60od 45.0l	1
▲	20	364669	(000000-	) Hose, Pvc, Brd, 0.38id 0.60od 66.00l	1
▲	21	09023	(000000-	) Screw, Hex, M08 X 1.25 X 35, Ss	2
▲	22	73467	(000000-	) Fitting, Plstc, Str, Bm06/Pm12	1
▲	23	43844	(000000-	) Clamp, Hose, Wormdrive, 0.25-0.62d	4
▲	24	386432	(000000-	) Bracket, Retaining, Tank, Detgt	1

Fig. 63 - Power Wand Hose Assembly



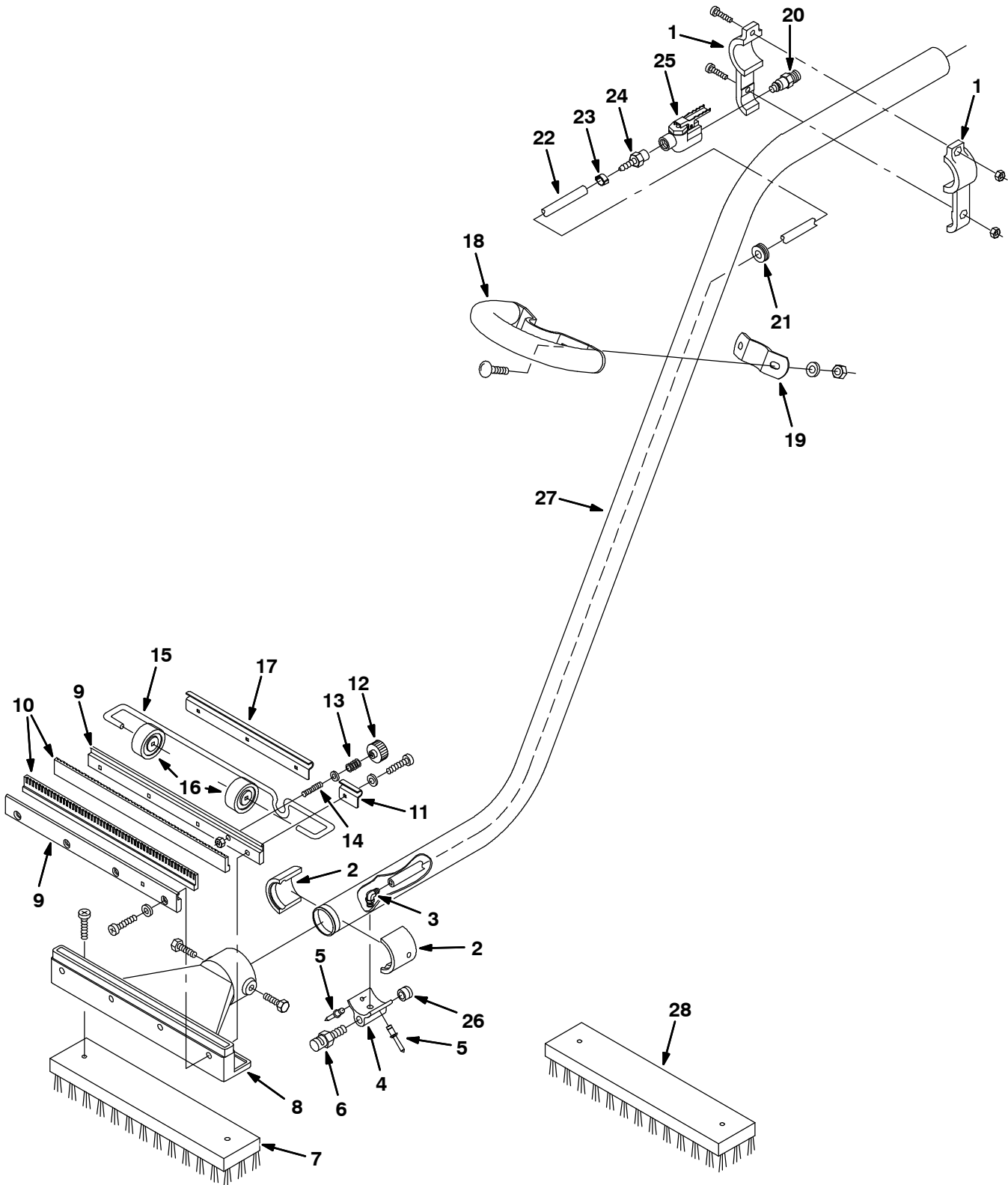
**Fig. 63 - Power Wand Hose Assembly**

NOTE: Power Wand Kit (000000-004999), Part Number 387147, includes; Fig. 63, Fig. 64, Fig. 65, and Fig. 66.

NOTE: Power Wand Kit (005000- ), Part Number 9006944, includes; Fig. 63, Fig. 64, Fig. 65, and Fig. 66.

	<b>Ref.</b>	<b>Tennant Part No.</b>	<b>Machine Serial Number</b>	<b>Description</b>	<b>Qty.</b>
▽		65341	(000000-	) Hose Assembly	1
▲	1	578318000	(000000-	) Fitting, Quick Disconnect	1
▲	2	578160000	(000000-	) Clamp, Hose	2
▲	3	578820000	(000000-	) Hose	1
▲	4	578072000	(000000-	) Cuff, Swivel	2
▲	5	578276000	(000000-	) Hose, Vacuum	1
▲	6	578071000	(000000-	) Fitting, Quick Disconnect	1
	7	48609	(000000-	) Fitting, Plstc, Str, Bm24/Bm32	1

Fig. 64 - Power Wand Assembly

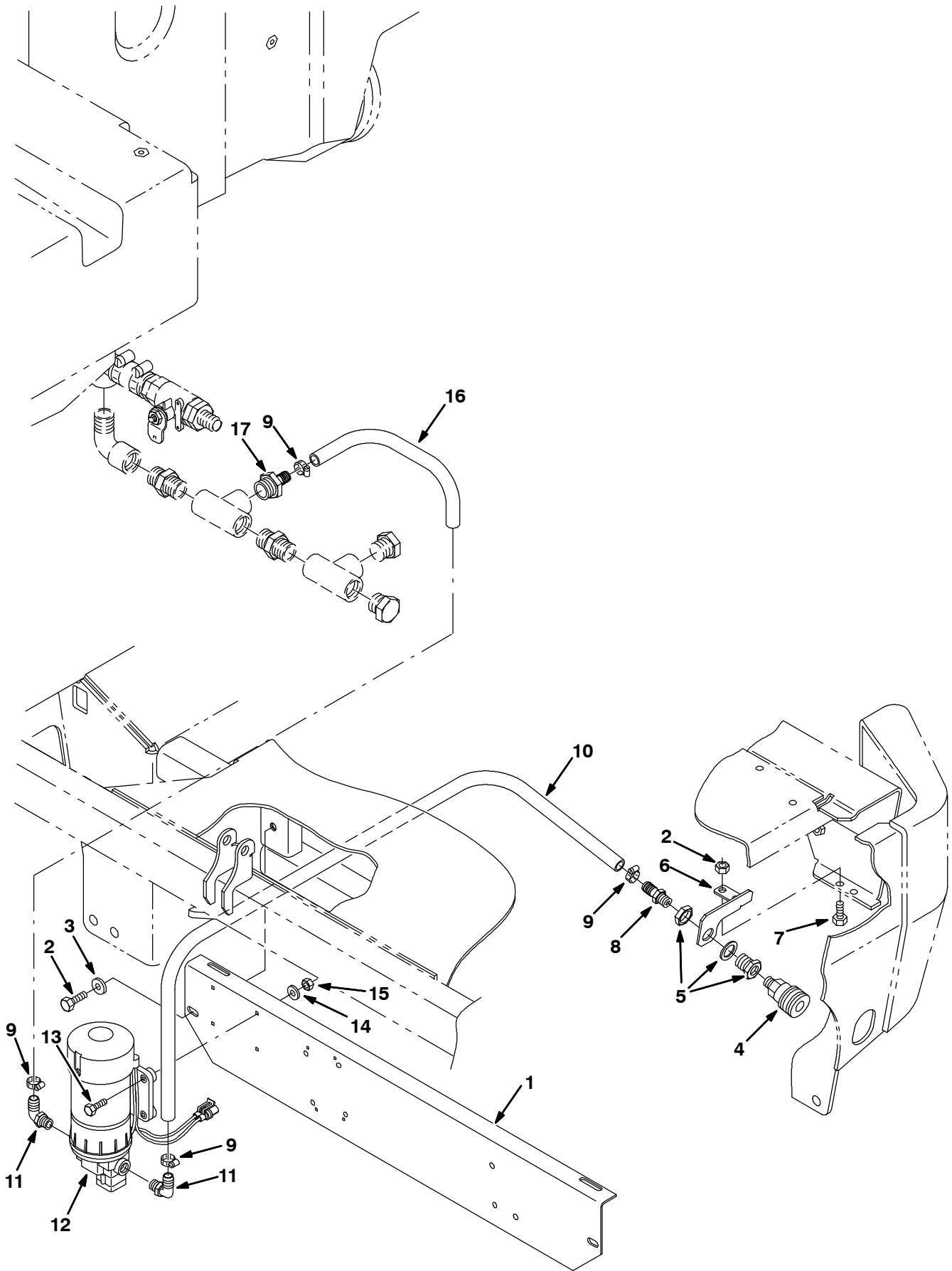


**Fig. 64 - Power Wand Assembly**

NOTE: Power Wand Kit (000000-004999), Part Number 387147, includes; Fig. 63, Fig. 64, Fig. 65, and Fig. 66.  
 NOTE: Power Wand Kit (005000- ), Part Number 9006944, includes; Fig. 63, Fig. 64, Fig. 65, and Fig. 66.

Ref.	Tennant Part No.	Machine Serial Number	Description	Qty.
▽	65340	(000000-	) Kit, Wand, Power [5400]	1
▲ 1	578077000	(000000-	) Bracket, Mtg	1
▲ 2	578061000	(000000-	) Adaptor	2
▲ 3	578214000	(000000-	) Fitting, Elbow	1
▲ 4	579112	(000000-	) Adaptor	1
▲ 5	602036000	(000000-	) Rivet, Pop	2
▲ 6	578066000	(000000-	) Nozzle, Spray	1
▲ 7	65610	(000000-	) Brush, Block, Scrub, Poly	1
▲ 8	578063000	(000000-	) Head, Wand	1
▲ 9	578078000	(000000-	) Strip, Retainer	2
▲ 10	578074000	(000000-	) Blade, Squeegee	2
▲ 11	578124000	(000000-	) Bracket	1
▲ 12	578439	(000000-	) Nut, Thumb, M6 X 30mm Dia	1
▲ 13	578228000	(000000-	) Spring, Compression	1
▲ 14	578143000	(000000-	) Stud, Adj	1
▲ 15	578126000	(000000-	) Axle, Wand	1
▲ 16	578125000	(000000-	) Wheel	2
▲ 17	578123000	(000000-	) Bracket	1
▲ 18	578155000	(000000-	) Handle, Wand	1
▲ 19	578154000	(000000-	) Handle, Wand	1
▲ 20	578091000	(000000-	) Plug, Qm, .25npt	1
▲ 21	578164000	(000000-	) Grommet	1
▲ 22	578821000	(000000-	) Hose, Wand	1
▲ 23	578161000	(000000-	) Clamp, Hose	2
▲ 24	578094000	(000000-	) Fitting, Hose, Barbed, .25npt Mal	1
▲ 25	578064000	(000000-	) Valve, Water	1
▲ 26	150208	(000000-	) Plug	1
▲ 27	578060000	(000000-	) Wand	1
▲ 28	65582	(000000-	) Brush, Block, Scrub, Ab	1

Fig. 65 - Power Wand Pump and Fittings Group



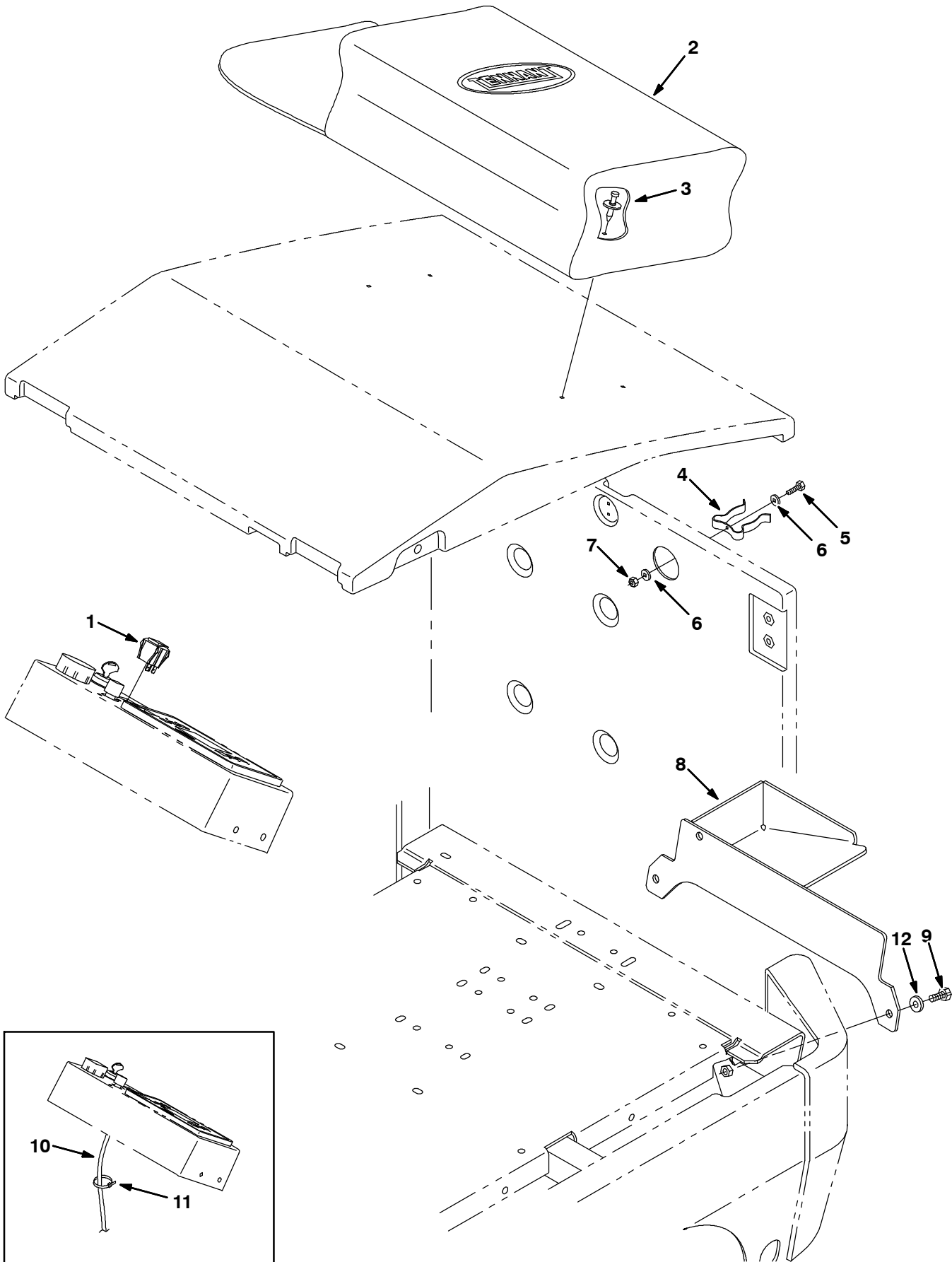
**Fig. 65 - Power Wand Pump and Fittings Group**

NOTE: Power Wand Kit (000000-004999), Part Number 387147, includes; Fig. 63, Fig. 64, Fig. 65, and Fig. 66.

NOTE: Power Wand Kit (005000- ), Part Number 9006944, includes; Fig. 63, Fig. 64, Fig. 65, and Fig. 66.

Ref.	Tennant Part No.	Machine Serial Number	Description	Qty.
1	1056864	(000000-	) Angle, Mtg, Es, Iron Gray	1
2	09010	(000000-	) Screw, Hex, M08 X 1.25 X 25, Ss	4
3	01685	(000000-	) Washer, Flt, .31 Ss	2
4	65342	(000000-	) Fitting, Brs, Qdc, Pm04/Qf06	1
5	78122	(000000-	) Fitting, Brs, Str, Pf04/Pf04 Bkhd	1
6	1056865	(000000-	) Bracket, Wand, Power, Iron Gray	1
7	08713	(000000-	) Nut, Hex, Lock, M08 X 1.25,NI, Ss	2
8	48610	(000000-	) Fitting, Plstc, Str, Bm08/Pm04	1
9	54333	(000000-	) Clamp, Hose, Wormdrive, 0.31-0.88d	4
10	84057	(000000-	) Hose, Pvc, Wir, 0.50id 0.74od 47.00l	1
11	65581	(000000-	) Fitting, Plstc, E90, Bm08/Pm04	2
12	387321	(000000-	) Pump Assy, Power Wand (See Breakdown)	1
13	09007	(000000-	) Screw, Hex, M06 X 1.0 X 25, Ss	4
14	01684	(000000-	) Washer, Flt, .25 Ss	4
15	08712	(000000-	) Nut, Hex, Lock, M06 X 1.0, NI, Ss	4
16	63184	(000000-	) Hose, Pvc, Wir, 0.50id 0.75od 15.50l	1
17	79273-1	(000000-	) Fitting, Plstc, Str, Bm08/Pm12	1

Fig. 66 - Power Wand Mount Group





**Fig. 66 - Power Wand Mount Group**

NOTE: Power Wand Kit (000000-004999), Part Number 387147, includes; Fig. 63, Fig. 64, Fig. 65, and Fig. 66.  
 NOTE: Power Wand Kit (005000- ), Part Number 9006944, includes; Fig. 63, Fig. 64, Fig. 65, and Fig. 66.

Ref.	Tennant Part No.	Machine Serial Number	Description	Qty.
1	222117	(000000-	) Switch, Rocker	1
2	65580	(000000-	) Bag, Power	1
3	72968	(000000-	) Rivet, Plstc, .250 X 0.898	2
4	67004	(000000-	) Clip, Finger Grip	1
5	09228	(000000-	) Screw, Hex, M04 X 0.7 X 20, 8.8	1
6	19064	(000000-	) Washer, Flt, #06	2
7	02850	(000000-	) Nut, Hex, Lock, M04 X 0.7, NI	1
8	387050	(000000-004999	) Tray Wldt, Power Wand	1
8	1056793	(005000-	) Tray Wldt, Power Wand, Iron Gray	1
9	12273	(000000-	) Screw, Hex, M08 X 1.25 X 20, Ss, NI	3
10	386608	(000000- xxxxxx	) Harness, Power Wand, [7300/8300]	1
10	387422	( xxxxxx-001705	) Harness, Power Wand, [7300/8300]	1
11	49266	(000000-001705	) Tie, Cable, Nyl, 07.3l .19w 1.8 Max D	4
12	01685	(000000-	) Washer, Flt, .31	3

Fig. 67 - Vacuum Wand Kit

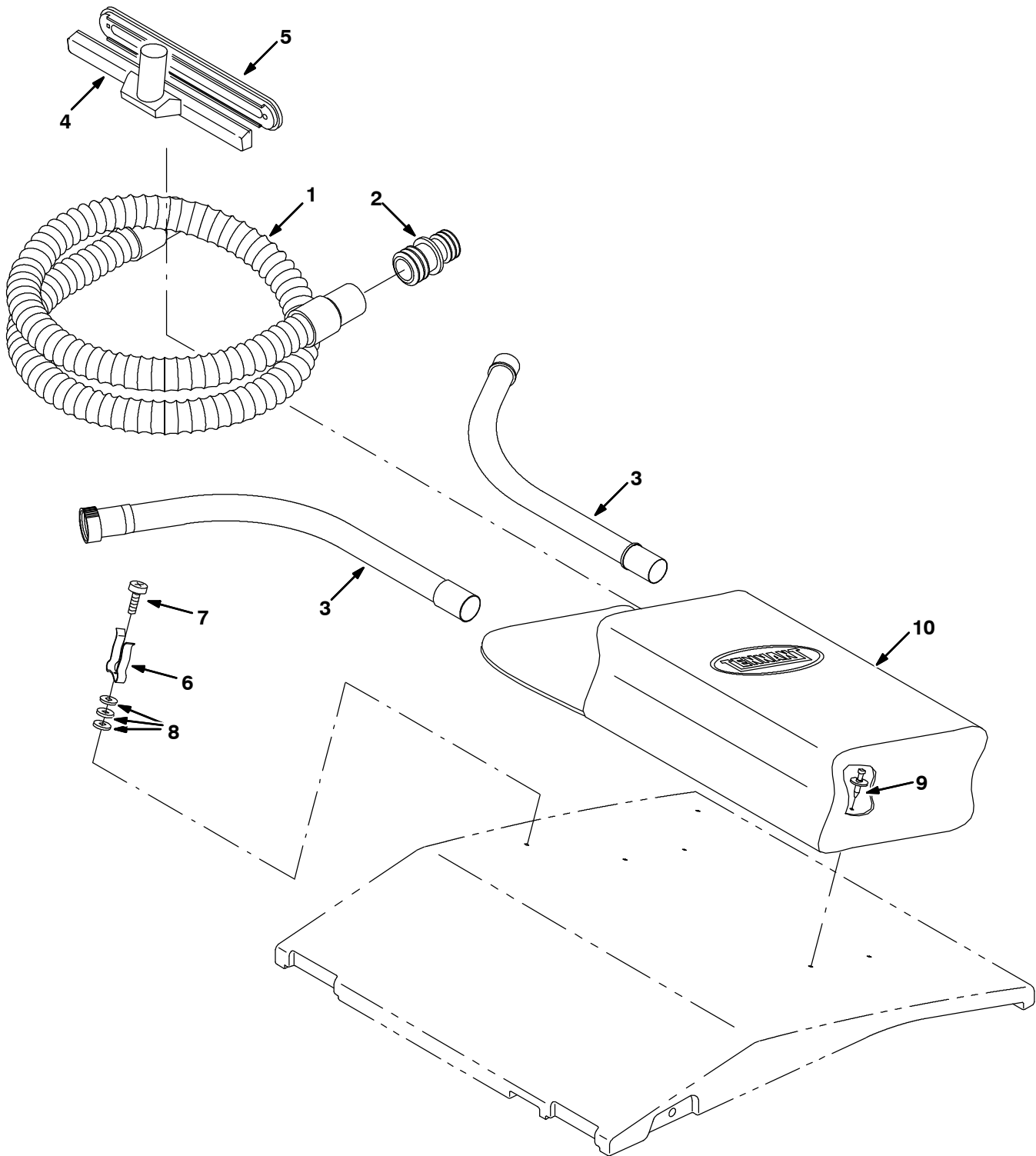


Fig. 67 - Vacuum Wand Kit

	Ref.	Tennant Part No.	Machine Serial Number	Description	Qty.
▽		387262	(000000-	) Kit, Ci, Vacuum Wand, [7300/8300]	1
▲	1	86767	(000000-	) Hose Assy, Pvc, W/ Cuff, 1.5d, 90.0l	1
▲	2	48609	(000000-	) Fitting, Plstc, Str, Bm24/Bm32	1
▲	3	63448	(000000-	) Tube, Wand, Vacuum, Metal	1
▲	4	63451	(000000-	) Nozzle, Wand, Plstc, 14.0lg	1
▲	5	63430	(000000-	) Shoe, Plstc, Sqge, 14inch	1
▲	6	67004	(000000-	) Clip, Finger Grip	2
▲	7	360943	(000000-	) Screw, Pan, #10-14X0.75, F/Plstc	2
▲	8	19064	(000000-	) Washer, Flt, #06	6
▲	9	72968	(000000-	) Rivet, Plstc, .250 X 0.898	4
▲	10	65580	(000000-	) Bag, Power	1

# OPTIONS

Fig. 68 - Max Pro 1200 Rear Squeegee Group (000000-004999)

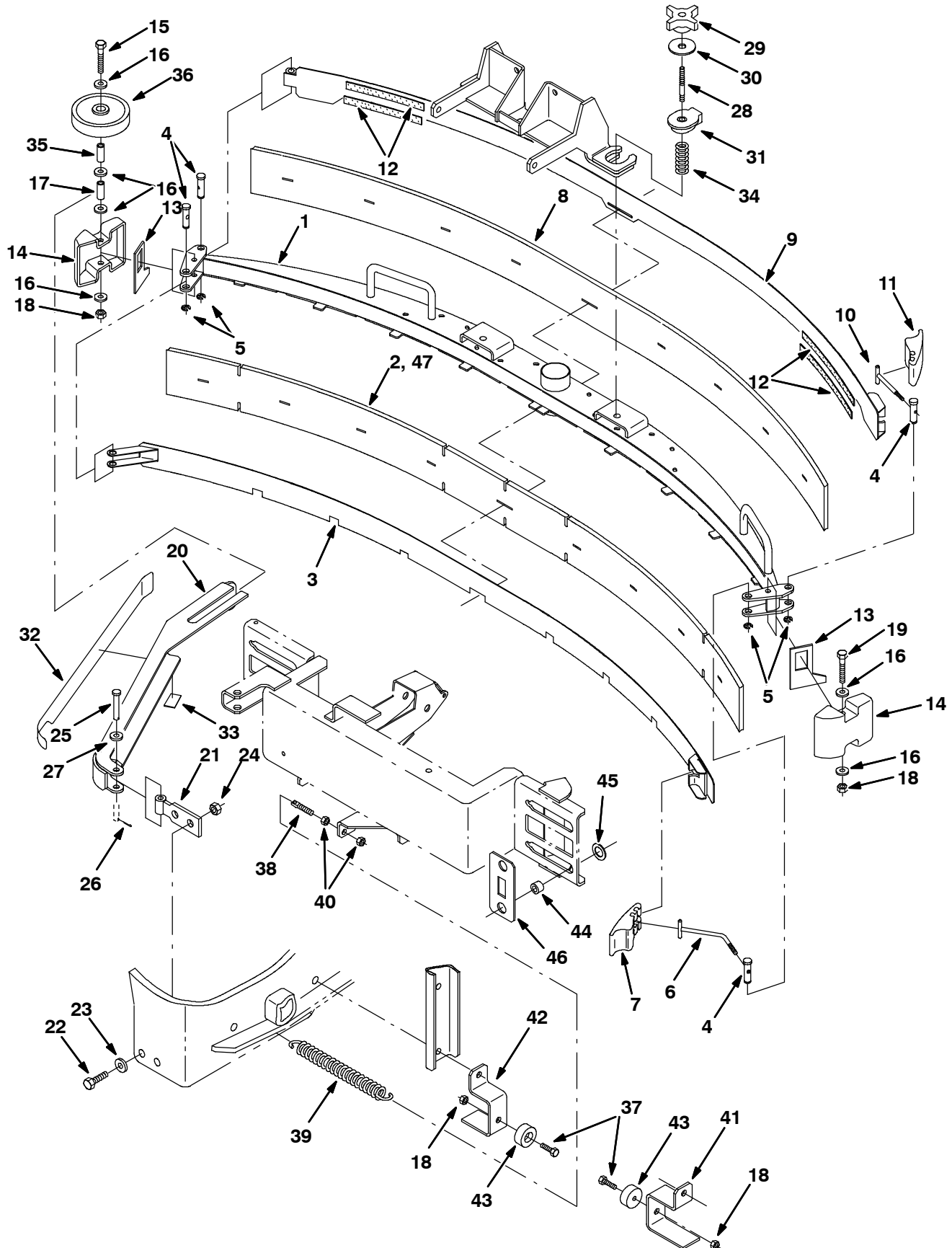


Fig. 68 - Max Pro 1200 Rear Squeegee Group (000000-004999)

Ref.	Tennant Part No.	Machine Serial Number	Description	Qty.
▽	386861	(000000-004999 )	Kit, Cl, Squeegee, Rear [Max Pro 1200]	1
▲	1 1056877	(000000-004999 )	Frame Wldt, Sqge 48.0l	1
▲	2 386833	(000000-004999 )	Blade, Sqge, Front 48.0l	1
▲	3 386835	(000000-004999 )	Clamp Wldt, Front 48.0l	1
▲	4 21603	(000000-004999 )	Pin	4
▲	5 24555	(000000-004999 )	Ring, Retaining, Ext	4
▲	6 386298	(000000-004999 )	Pin Wldt, Front	1
▲	7 21601	(000000-004999 )	Cam	1
▲	8 386834	(000000-004999 )	Blade, Sqge, Rear 48.0l	1
▲	9 386836	(000000-004999 )	Clamp Wldt, Rear 48.0l	1
▲	10 21606	(000000-004999 )	Bar Wldt, Retainer, Sqge, Rear	1
▲	11 21602	(000000-004999 )	Cam, Rear	1
▲	12 03495	(000000-004999 )	Strip, Nonslip	4
▲	13 83874	(000000-004999 )	Gasket, Sqge	2
▲	14 386264	(000000-004999 )	Bumper, Sqge	2
▲	15 387431	(000000-004999 )	Screw, Hex, M08 X 1.25 X 130 Ss	1
▲	16 01685	(000000-004999 )	Washer, Flt, .31 Ss	5
▲	17 222497	(000000-004999 )	Sleeve	1
▲	18 08713	(000000-004999 )	Nut, Hex, Lock, M08 X 1.25,NI, Ss	4
▲	19 09767	(000000-004999 )	Screw, Hex, M08 X 1.25 X 70, Ss	1
▲	20 387435	(000000-004999 )	Channel Wldt	1
▲	21 386234	(000000-004999 )	Pivot Wldt, Guard	1
▲	22 12309	(000000-004999 )	Screw, Hex, M12 X 1.75 X 30, Ss	2
▲	23 41619	(000000-004999 )	Washer, Flt, .50 Ss	2
▲	24 09741	(000000-004999 )	Nut, Hex, Lock, M12 X 1.75,NI, Ss	2
▲	25 1039190	(000000-004999 )	Pin, Clevis, 0.25d X 2.00l	1
▲	26 08178	(000000-004999 )	Pin, Cotter, .062 X 0.75	1
▲	27 01684	(000000-004999 )	Washer, Flat, 0.27b 0.69d .05, Ss	2
▲	28 387237	(000000-004999 )	Stud, .31-18 2.75l M8 X 1.25, Ss	2
▲	29 370100	(000000-004999 )	Knob, 4-Prong W/.31-18, Insert	2
▲	30 04414	(000000-004999 )	Washer, 0.53b 1.88d .12, Stl, Pl	2
▲	31 387433	(000000-004999 )	Ring, Mtg, Sqge, .50l	2
▲	32 387436	(000000-004999 )	Bumper, Poly-E	1
▲	33 387438	(000000-004999 )	Bumper, Poly-E	1
▲	34 387500	(000000-004999 )	Spring, Cmpr, .87od .042wir 2.0l	2
▲	35 363301	(000000-004999 )	Sleeve, 0.62d 0.34b 1.19l Bnz	1
▲	36 363162	(000000-004999 )	Wheel, 4.0d 0.89w 0.64b	1
▲	37 09010	(000000-004999 )	Screw, Hex, M08 X 1.25 X 25, Ss	2
▲	38 386847	(000000-004999 )	Bolt, Eye, M10x1.5 X 2.0 X .28 Eye	1
▲	39 71100	(000000-004999 )	Spring, Extn, 1.69od X 0.20wir, 9.5l	1
▲	40 32716	(000000-004999 )	Nut, Hex, Jam, M10 X 1.5, Ss	2
▲	41 387446	(000000-004999 )	Channel, Stop, Lh	1
▲	42 387447	(000000-004999 )	Channel, Stop, Rh	1
▲	43 364614	(000000-004999 )	Bumper, Neo, 1.5d .63t .31h	2
▲	44 387429	(000000-004999 )	Sleeve, P/M, 0.44b 0.75d 0.5l [430ss]	4
▲	45 53782	(000000-004999 )	Washer, Thrust, 0.75b 1.25d 0.06w	4
▲	46 387430	(000000-004999 )	Plate, Slide	2
▲	47 387258	(000000-004999 )	Blade, Sqge, Front, Mp1200, Tile	1

Fig. 69 - Max Pro 1200 Rear Squeegee Group (005000- )

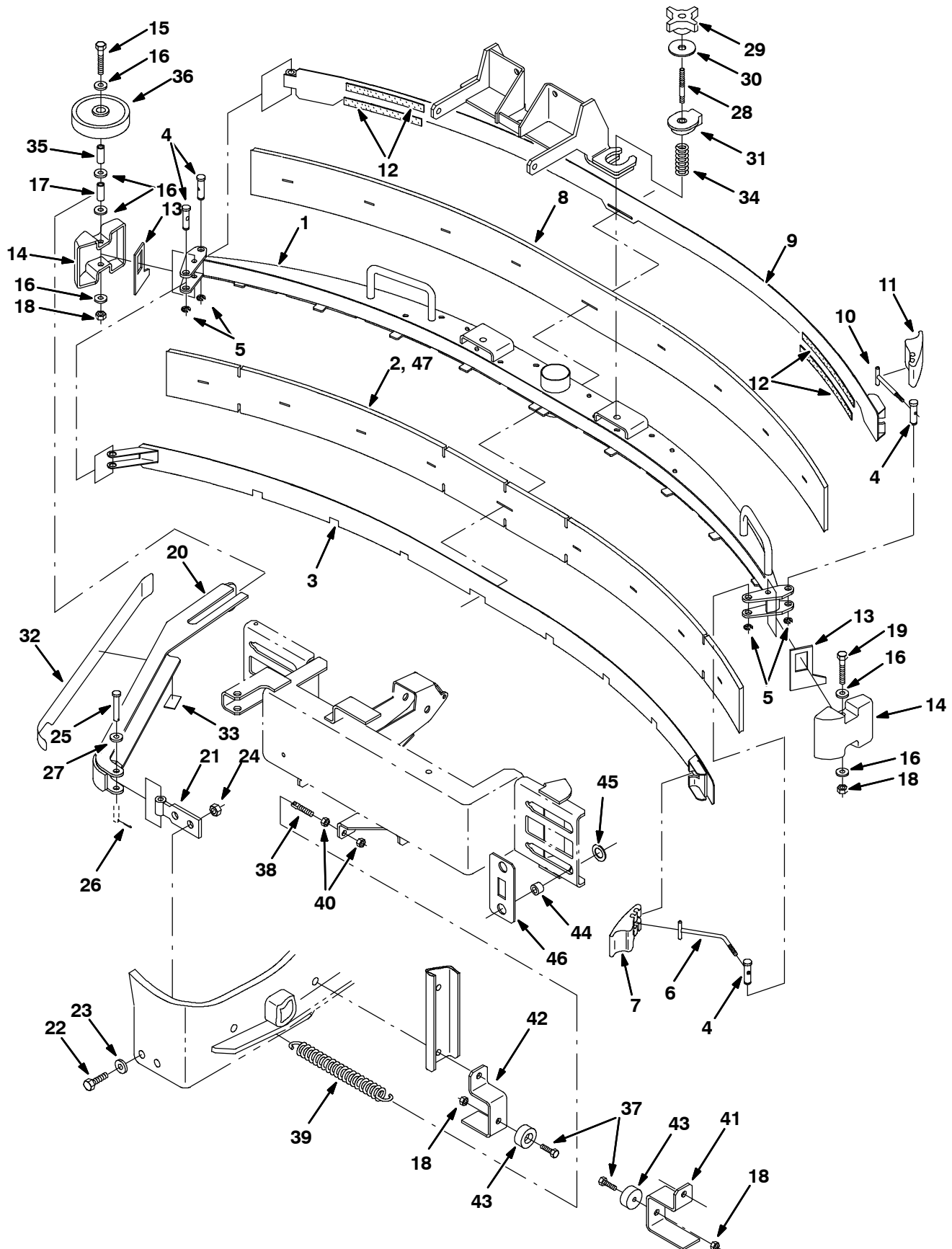


Fig. 69 - Max Pro 1200 Rear Squeegee Group (005000- )

Ref.	Tennant Part No.	Machine Serial Number	Description	Qty.
▽	9006931	(005000-	) Squeegee Assy Kit, Rear, Ci [Mp1200]	1
▲	1 1056877	(005000-	) Frame Wldt, Sqge 48.0l	1
▲	2 386833	(005000-	) Blade, Sqge, Front 48.0l	1
▲	3 386835	(005000-	) Clamp Wldt, Front 48.0l	1
▲	4 21603	(005000-	) Pin	4
▲	5 24555	(005000-	) Ring, Retaining, Ext	4
▲	6 386298	(005000-	) Pin Wldt, Front	1
▲	7 21601	(005000-	) Cam	1
▲	8 386834	(005000-	) Blade, Sqge, Rear 48.0l	1
▲	9 386836	(005000-	) Clamp Wldt, Rear 48.0l	1
▲	10 21606	(005000-	) Bar Wldt, Retainer, Sqge, Rear	1
▲	11 21602	(005000-	) Cam, Rear	1
▲	12 03495	(005000-	) Strip, Nonslip	4
▲	13 83874	(005000-	) Gasket, Sqge	2
▲	14 386264	(005000-	) Bumper, Sqge	2
▲	15 387431	(005000-	) Screw, Hex, M08 X 1.25 X 130 Ss	1
▲	16 01685	(005000-	) Washer, Flt, .31 Ss	5
▲	17 222497	(005000-	) Sleeve	1
▲	18 08713	(005000-	) Nut, Hex, Lock, M08 X 1.25,NI, Ss	4
▲	19 09767	(005000-	) Screw, Hex, M08 X 1.25 X 70, Ss	1
▲	20 1056805	(005000-	) Channel Wldt, Iron Gray	1
▲	21 1056466	(005000-	) Plate Wldt, Pivot, Guard, Iron Gray	1
▲	22 12309	(005000-	) Screw, Hex, M12 X 1.75 X 30, Ss	2
▲	23 41619	(005000-	) Washer, Flt, .50 Ss	2
▲	24 09741	(005000-	) Nut, Hex, Lock, M12 X 1.75,NI, Ss	2
▲	25 1039190	(005000-	) Pin, Clevis, 0.25d X 2.00l	1
▲	26 08178	(005000-	) Pin, Cotter, .062 X 0.75	1
▲	27 01684	(005000-	) Washer, Flat, 0.27b 0.69d .05, Ss	2
▲	28 387237	(005000-	) Stud, .31-18 2.75l M8 X 1.25, Ss	2
▲	29 370100	(005000-	) Knob, 4-Prong W/.31-18, Insert	2
▲	30 04414	(005000-	) Washer, 0.53b 1.88d .12, Stl, PI	2
▲	31 387433	(005000-	) Ring, Mtg, Sqge, .50l	2
▲	32 387436	(005000-	) Bumper, Poly-E	1
▲	33 387438	(005000-	) Bumper, Poly-E	1
▲	34 387500	(005000-	) Spring, Cmpr, .87od .042wir 2.0l	2
▲	35 363301	(005000-	) Sleeve, 0.62d 0.34b 1.19l Bnz	1
▲	36 363162	(005000-	) Wheel, 4.0d 0.89w 0.64b	1
▲	37 09010	(005000-	) Screw, Hex, M08 X 1.25 X 25, Ss	2
▲	38 386847	(005000-	) Bolt, Eye, M10x1.5 X 2.0 X .28 Eye	1
▲	39 71100	(005000-	) Spring, Extn, 1.69od X 0.20wir, 9.5l	1
▲	40 32716	(005000-	) Nut, Hex, Jam, M10 X 1.5, Ss	2
▲	41 1056806	(005000-	) Bracket, Stop, Bar, Lh, Iron Gray	1
▲	42 1056807	(005000-	) Bracket, Stop, Bar, Rh, Iron Gray	1
▲	43 364614	(005000-	) Bumper, Neo, 1.5d .63t .31h	2
▲	44 387429	(005000-	) Sleeve, P/M, 0.44b 0.75d 0.5l [430ss]	4
▲	45 53782	(005000-	) Washer, Thrust, 0.75b 1.25d 0.06w	4
▲	46 387430	(005000-	) Plate, Slide	2
▲	47 387258	(005000-	) Blade, Sqge, Front, Mp1200, Tile	1





**Fig. 70 - Max Pro 1200 Rear Squeegee Group for Vacuumized Side Squeegee (000000-004999)**

Ref.	Tennant Part No.	Machine Serial Number	Description	Qty.
▽	386860	(000000-004999 )	Kit, Cl, Squeegee, Rear (Max Pro™ 1000)	1
▲	1 1056856	(000000-004999 )	Frame Wldt, Sqge, Iron Gray	1
▲	2 386283	(000000-004999 )	Blade, Sqge, Front	1
▲	3 386285	(000000-004999 )	Clamp Wldt, Front	1
▲	4 21603	(000000-004999 )	Pin	4
▲	5 24555	(000000-004999 )	Ring, Retaining, Ext	4
▲	6 386298	(000000-004999 )	Pin Wldt, Front	1
▲	7 21601	(000000-004999 )	Cam	1
▲	8 386284	(000000-004999 )	Blade, Sqge, Rear	1
▲	9 386286	(000000-004999 )	Clamp Wldt, Rear	1
▲	10 21606	(000000-004999 )	Bar Wldt, Retainer, Sqge, Rear	1
▲	11 21602	(000000-004999 )	Cam, Rear	1
▲	12 03495	(000000-004999 )	Strip, Nonslip	4
▲	13 83874	(000000-004999 )	Gasket, Sqge	2
▲	14 386264	(000000-004999 )	Bumper, Sqge	2
▲	15 386299	(000000-004999 )	Screw, Hex, M08 X 1.25 X 100, Ss	1
▲	16 01685	(000000-004999 )	Washer, Flt, .31 Ss	5
▲	17 222497	(000000-004999 )	Sleeve	1
▲	18 08713	(000000-004999 )	Nut, Hex, Lock, M08 X 1.25,NI, Ss	2
▲	19 09767	(000000-004999 )	Screw, Hex, M08 X 1.25 X 70, Ss	1
▲	20 386266	(000000-004999 )	Channel Wldt	1
▲	21 386234	(000000-004999 )	Pivot Wldt, Guard	1
▲	22 12309	(000000-004999 )	Screw, Hex, M12 X 1.75 X 30, Ss	2
▲	23 41619	(000000-004999 )	Washer, Flt, .50 Ss	2
▲	24 09741	(000000-004999 )	Nut, Hex, Lock, M12 X 1.75,NI, Ss	2
▲	25 1039190	(000000-004999 )	Pin, Clevis, 0.25d X 2.00l	1
▲	26 08178	(000000-004999 )	Pin, Cotter, .062 X 0.75	1
▲	27 01684	(000000-004999 )	Washer, Flt, .25 Ss	2
▲	28 387237	(000000-004999 )	Stud, .31-18 2.75l M8 X 1.25, Ss	2
▲	29 370100	(000000-004999 )	Knob, 4-Prong W/.31-18, Insert	2
▲	30 04414	(000000-004999 )	Washer, 0.53b 1.88d .12, Stl, Pl	2
▲	31 387433	(000000-004999 )	Ring, Mtg, Sqge, .50l	2
▲	32 387500	(000000-004999 )	Spring, Cmpr, .87od .042wir 2.0l	2
▲	33 387448	(000000-004999 )	Bumper, Poly-E	1
▲	34 387438	(000000-004999 )	Bumper, Poly-E	1
▲	35 387257	(000000- )	Blade, Sqge, Front, Mp1000, Tile	1

# OPTIONS

Fig. 71 - Max Pro 1200 Rear Squeegee Group for Vacuumized Side Squeegee (005000- )

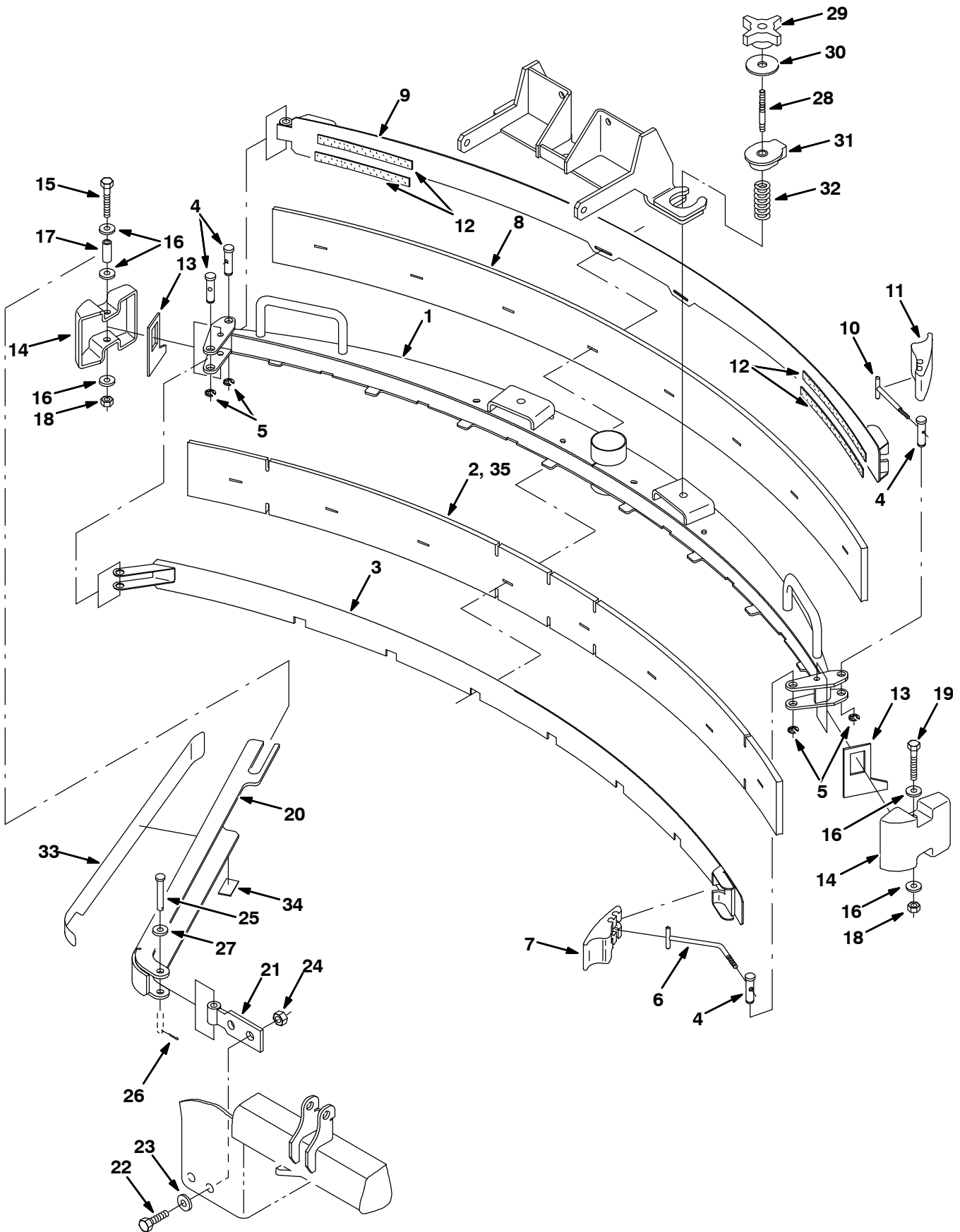
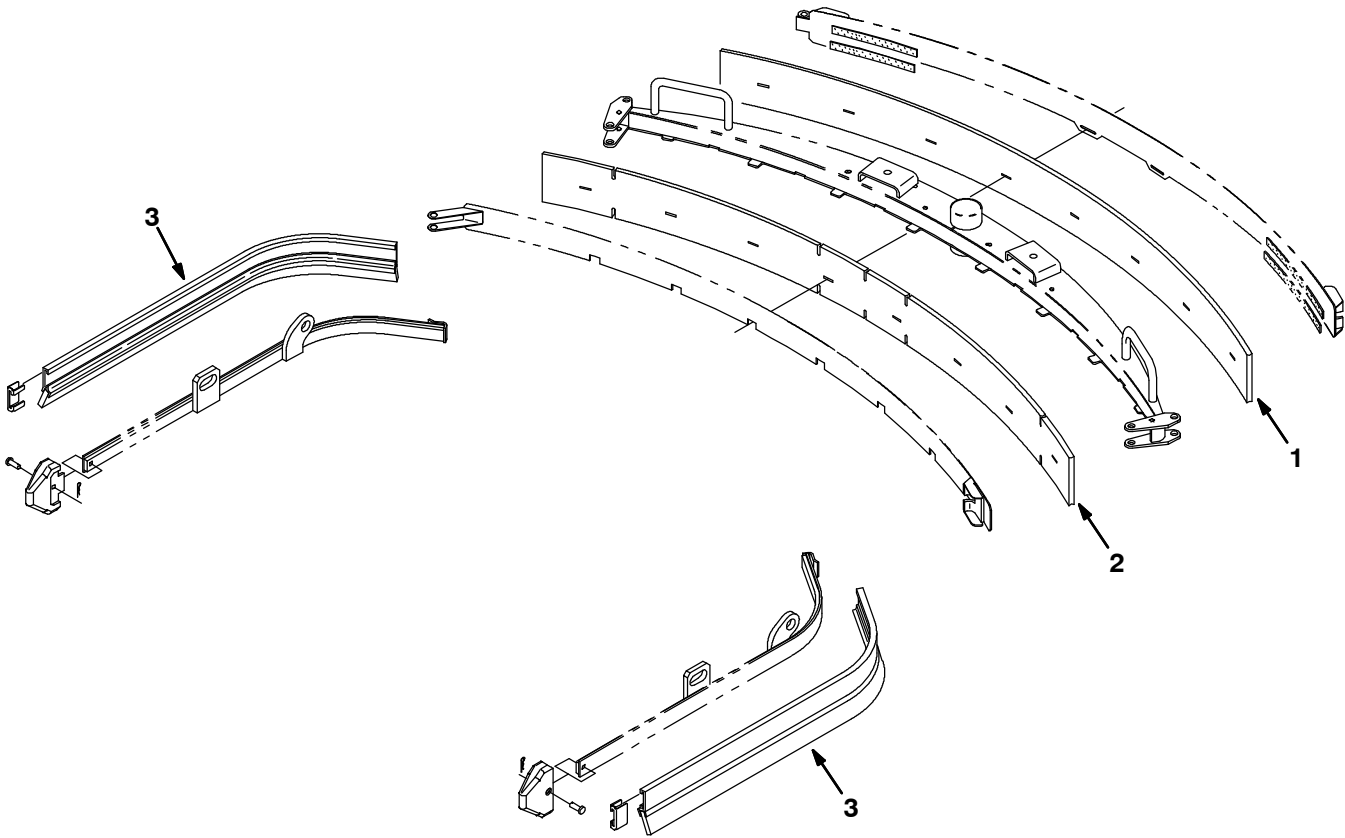


Fig. 71 - Max Pro 1200 Rear Squeegee Group for Vacuumized Side Squeegee (005000- )

Ref.	Tennant Part No.	Machine Serial Number	Description	Qty.
▽	9006930	(005000-	) Squeegee Assy Kit, Rear, Ci [Mp1000]	1
▲	1 1056856	(005000-	) Frame Wldt, Sqge, Iron Gray	1
▲	2 386283	(005000-	) Blade, Sqge, Front	1
▲	3 386285	(005000-	) Clamp Wldt, Front	1
▲	4 21603	(005000-	) Pin	4
▲	5 24555	(005000-	) Ring, Retaining, Ext	4
▲	6 386298	(005000-	) Pin Wldt, Front	1
▲	7 21601	(005000-	) Cam	1
▲	8 386284	(005000-	) Blade, Sqge, Rear	1
▲	9 386286	(005000-	) Clamp Wldt, Rear	1
▲	10 21606	(005000-	) Bar Wldt, Retainer, Sqge, Rear	1
▲	11 21602	(005000-	) Cam, Rear	1
▲	12 03495	(005000-	) Strip, Nonslip	4
▲	13 83874	(005000-	) Gasket, Sqge	2
▲	14 386264	(005000-	) Bumper, Sqge	2
▲	15 386299	(005000-	) Screw, Hex, M08 X 1.25 X 100, Ss	1
▲	16 01685	(005000-	) Washer, Flt, .31 Ss	5
▲	17 222497	(005000-	) Sleeve	1
▲	18 08713	(005000-	) Nut, Hex, Lock, M08 X 1.25,NI, Ss	2
▲	19 09767	(005000-	) Screw, Hex, M08 X 1.25 X 70, Ss	1
▲	20 1056471	(005000-	) Channel Wldt, Guard, Rh, Iron Gray	1
▲	21 1056466	(005000-	) Plate Wldt, Pivot, Guard, Iron Gray	1
▲	22 12309	(005000-	) Screw, Hex, M12 X 1.75 X 30, Ss	2
▲	23 41619	(005000-	) Washer, Flt, .50 Ss	2
▲	24 09741	(005000-	) Nut, Hex, Lock, M12 X 1.75,NI, Ss	2
▲	25 1039190	(005000-	) Pin, Clevis, 0.25d X 2.00l	1
▲	26 08178	(005000-	) Pin, Cotter, .062 X 0.75	1
▲	27 01684	(005000-	) Washer, Flt, .25 Ss	2
▲	28 387237	(005000-	) Stud, .31-18 2.75l M8 X 1.25, Ss	2
▲	29 370100	(005000-	) Knob, 4-Prong W/.31-18, Insert	2
▲	30 04414	(005000-	) Washer, 0.53b 1.88d .12, Stl, Pl	2
▲	31 387433	(005000-	) Ring, Mtg, Sqge, .50l	2
▲	32 387500	(005000-	) Spring, Cmpr, .87od .042wir 2.0l	2
▲	33 387448	(005000-	) Bumper, Poly-E	1
▲	34 387438	(005000-	) Bumper, Poly-E	1
▲	35 387257	(000000-	) Blade, Sqge, Front, Mp1000, Tile	1

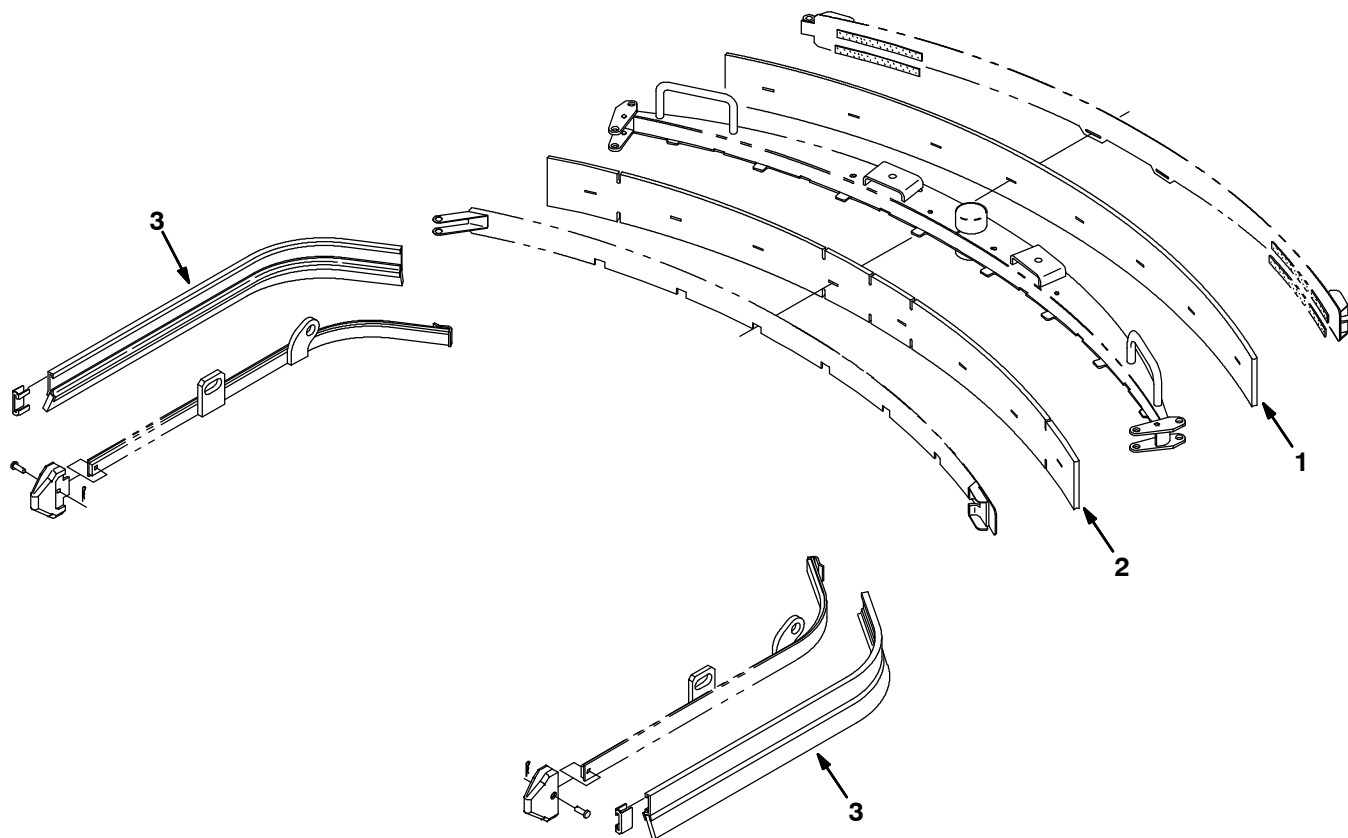
**Fig. 72 - Max Pro 1000 Urethane Squeegee Kit**



354351

Ref.	Tenant Part No.	Machine Serial Number	Description	Qty.
▽	9001397	(000000-	) Blade Kit, Sqge, Ure, [Mp1000]	1
▲ 1	1022564	(000000-	) Blade, Sqge, Rear	1
▲ 2	1022565	(000000-	) Blade, Sqge, Front	1
▲ 3	1019344	(000000-	) Squeegee, Side, Ure, [7300/830]	2

Fig. 73 - Max Pro 1200 Urethane Squeegee Kit



354351

	Ref.	Tennant Part No.	Machine Serial Number	Description	Qty.
▽		9001398	(000000-	) Blade Kit, Sqge, Ure, [Mp1200]	1
▲	1	1022558	(000000-	) Blade, Sqge, Rear	1
▲	2	1022465	(000000-	) Blade, Sqge, Front	1
▲	3	1019344	(000000-	) Squeegee, Side, Ure, [7300/830]	2

Fig. 74 - Battery Rollout Kit

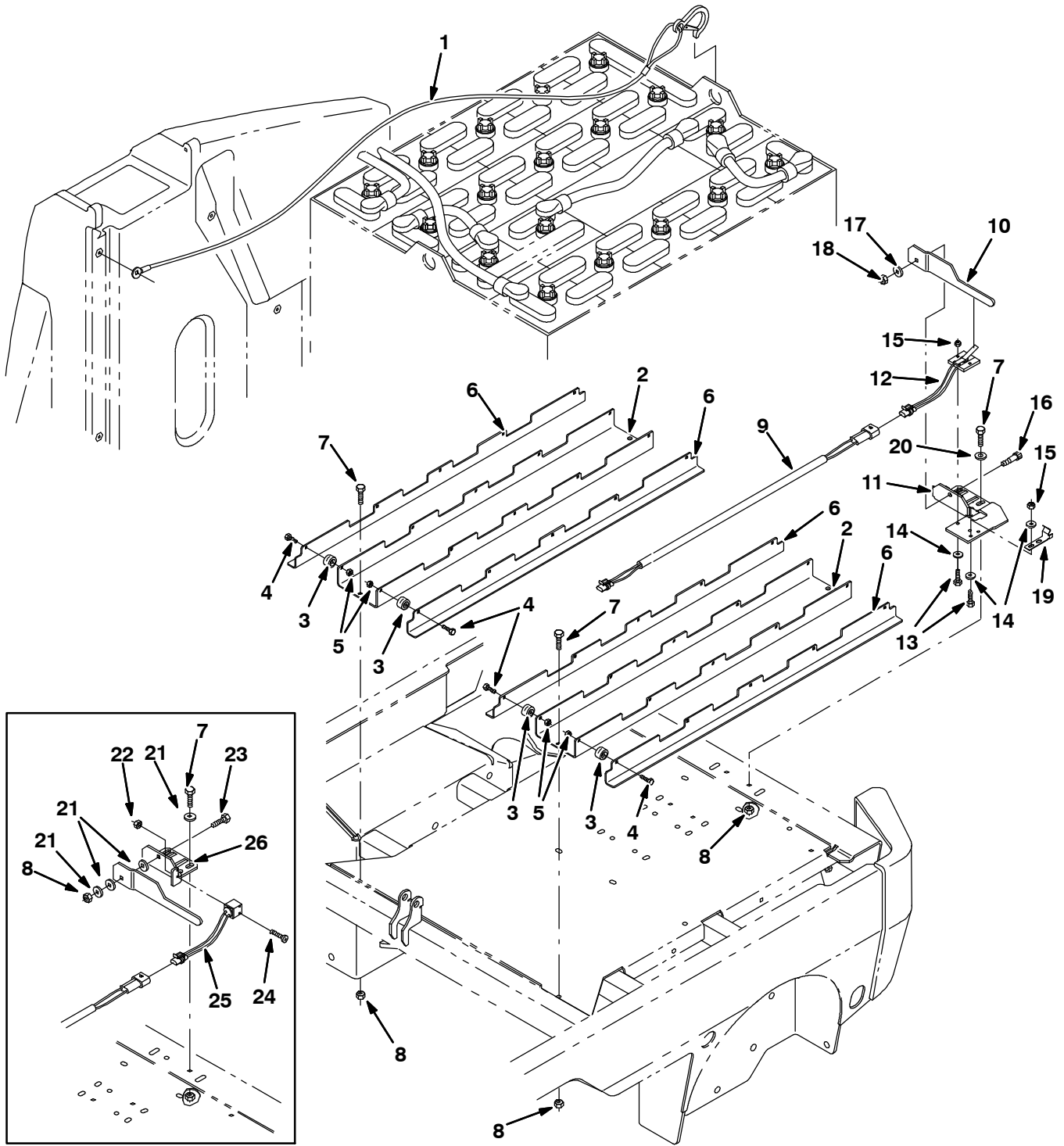
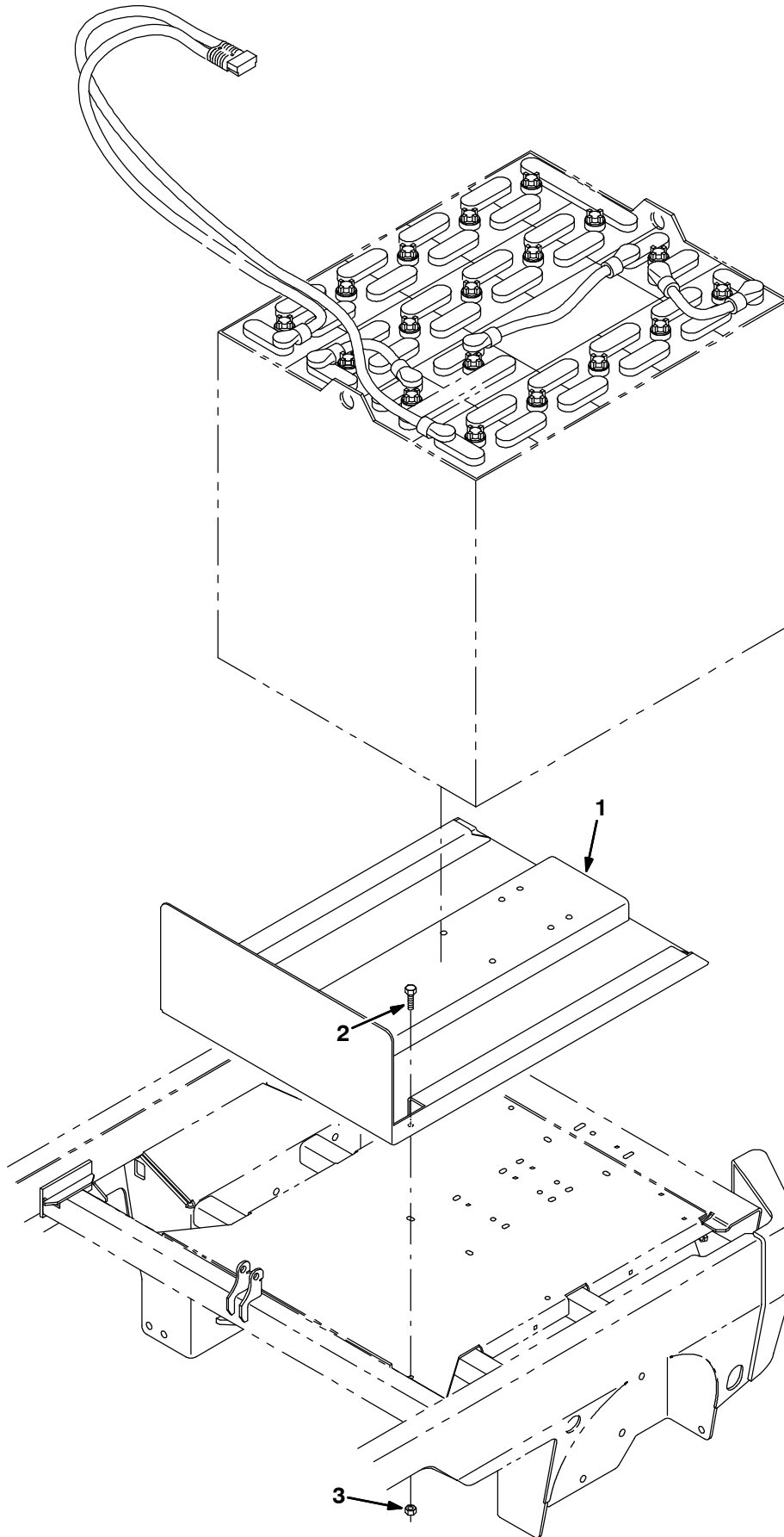


Fig. 74 - Battery Rollout Kit

Ref.	Tennant Part No.	Machine Serial Number	Description	Qty.
▽	387043	(000000-	) Kit, Ci, Battery, Rollout	1
▲	1 386968	(000000-	) Cable, Safety, Battery	1
▲	2 1056916	(000000-	) Channel, Battery, R/O, Iron Gray	2
▲	3 369415	(000000-	) Bearing, Needle, 0.25b 0.88d 0.50w	20
▲	4 07805	(000000-	) Screw, Hex, M06 X 1.0 X 35, Ss	20
▲	5 08712	(000000-	) Nut, Hex, Lock, M06 X 1.0, NI, Ss	20
▲	6 1056915	(000000-	) Angle, Battery, R/O, Iron Gray	4
▲	7 09740	(000000-	) Screw, Hex, M08 X 1.25 X 20, Ss	6
▲	8 08713	(000000-	) Nut, Hex, Lock, M08 X 1.25,NI, Ss	6
▲	9 386607	(000000-	) Harness, Battery, Rollout [7300/8300]	1
▲	10 1057644	(000000-	) Bar Wldt, Battery, R/O	1
▲	11 1056940	(001793-	) Stop Wldt, Iron Gray	1
▲	12 377341	(001793-	) Switch, Limit, No	1
▲	13 24199	(001793-	) Screw, Hex, M5 X 0.8 X 16, Ss	4
▲	14 01683	(001793-	) Washer, Flat, #10 Ss	4
▲	15 09739	(001793-	) Nut, Hex, Lock, M 5 X 0,8, NI, Ss	4
▲	16 02129	(001793-	) Bolt, Shld, .38DX0.38, .31-18	1
▲	17 39349	(001793-	) Washer, Flat, 0.31 Sae	1
▲	18 01760	(001793-	) Nut, Hex, Lock, .31-18, NI, Thin	1
▲	19 1007107	(001793-	) Latch, Handle	1
▲	20 01685	(001793-	) Washer, Flat, 0.31 Ss	2
	21 01685	(000000-001792	) Washer, Flt, .31 Ss	5
	22 33932	(000000-001792	) Nut, Hex, Lock, M 4 X 0.7, NI Ss	5
	23 09023	(000000-001792	) Screw, Hex, M08 X 1.25 X 35, Ss	1
	24 09198	(000000-001792	) Screw, Pan, M04 X 0.7 X 35, Ss	2
	25 387027	(000000-001792	) Switch, No (Replaced by 398454)	1
	26 387441	(000000-001792	) Stop Wldt (Replaced by 398454)	1

Fig. 75 - Battery Forklift Kit

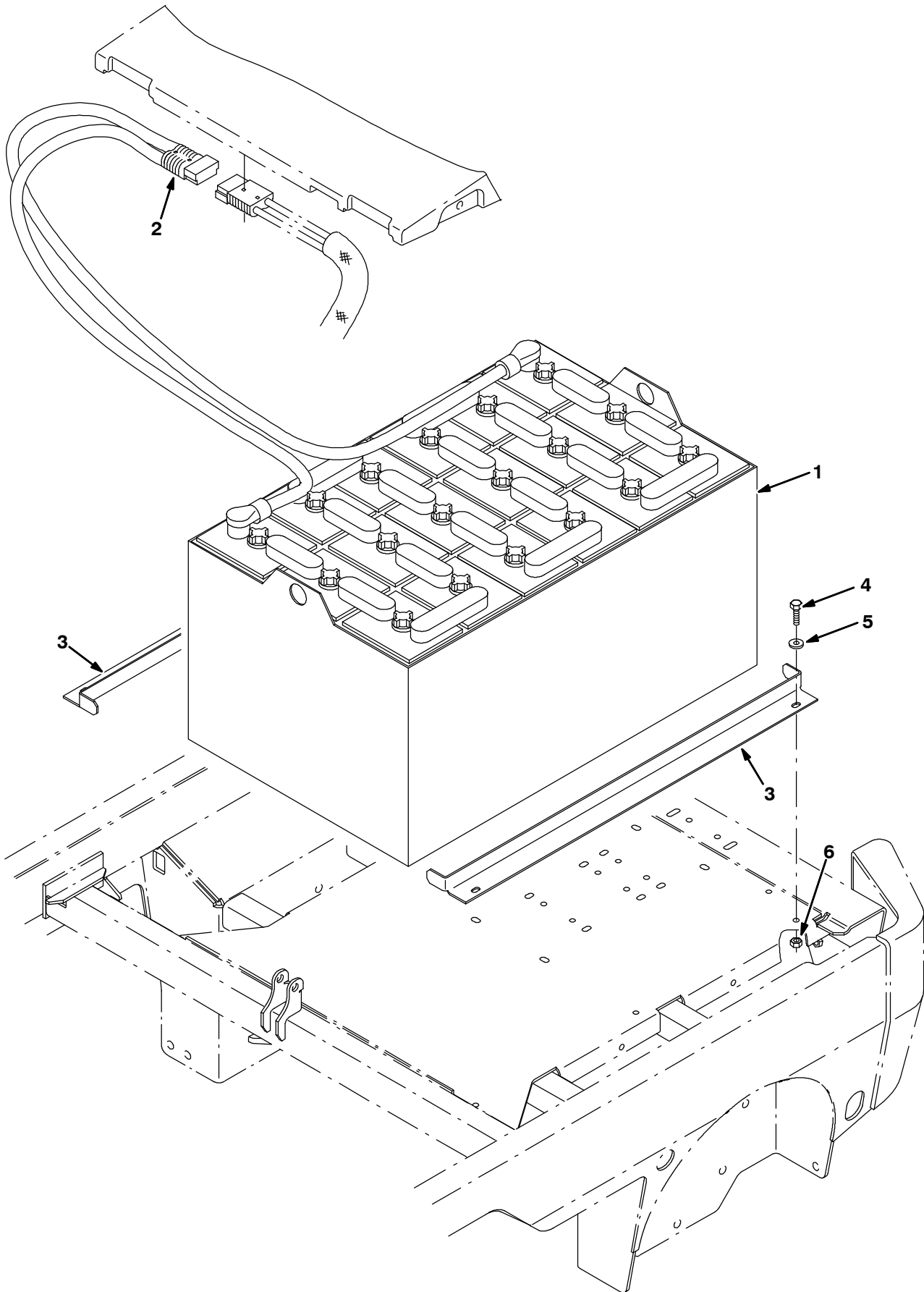




**Fig. 75 - Battery Forklift Kit**

	<b>Ref.</b>	<b>Tennant Part No.</b>	<b>Machine Serial Number</b>	<b>Description</b>	<b>Qty.</b>
▽		387000	(000000-	) Kit, Ci, Fork Lift, Battery	1
▲	1	1056883	(000000-	) Cradle Wldt, Battery, Iron Gray	1
▲	2	09740	(000000-	) Screw, Hex, M08 X 1.25 X 20, Ss	4
▲	3	08713	(000000-	) Nut, Hex, Lock, M08 X 1.25,NI, Ss	4

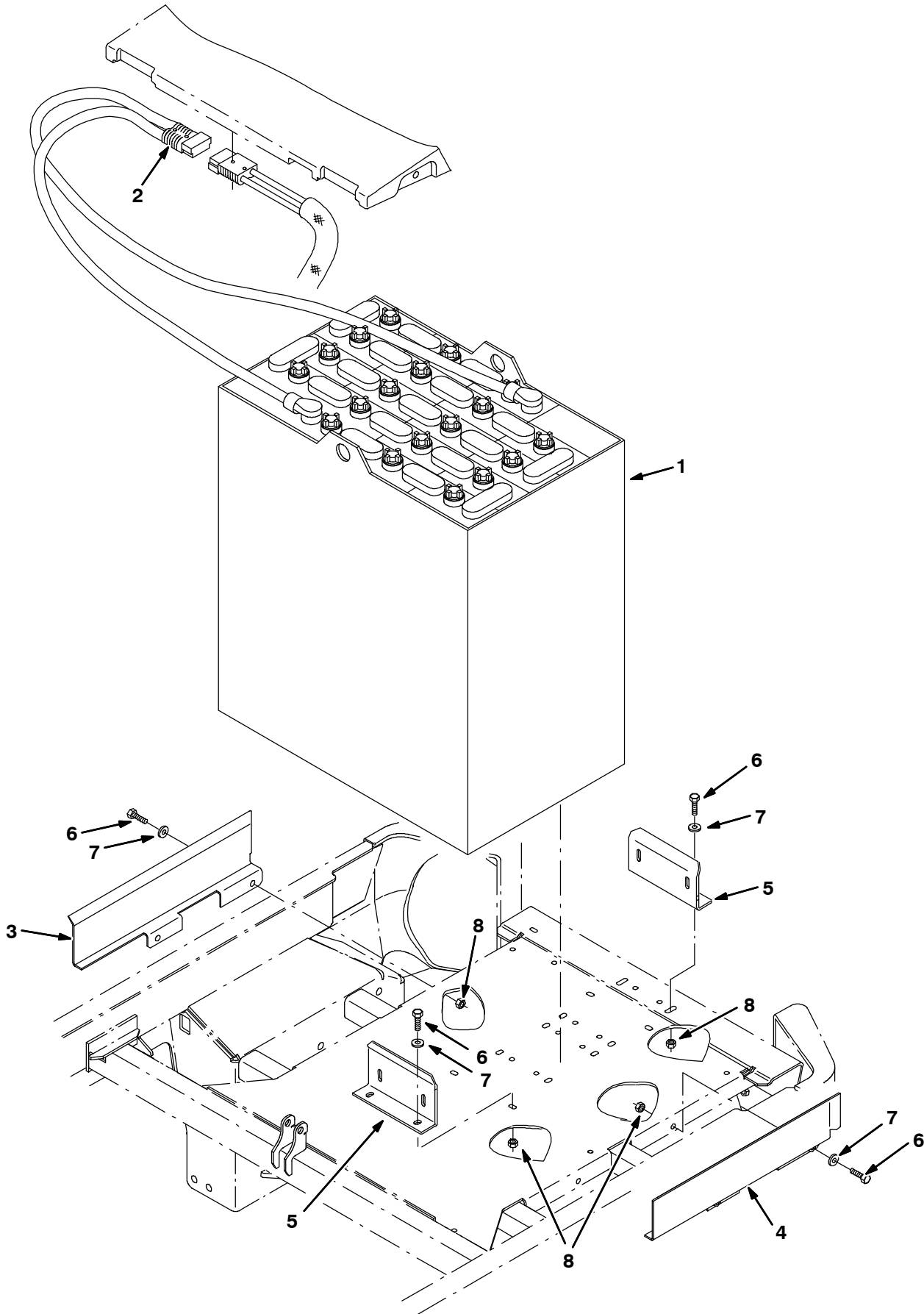
Fig. 76 - Battery Kit, 380AH Wet



**Fig. 76 - Battery Kit, 380AH Wet**

	<b>Ref.</b>	<b>Tennant Part No.</b>	<b>Machine Serial Number</b>	<b>Description</b>	<b>Qty.</b>
▽		387324	(000000-	) Kit, Ci, Battery, 36vdc, 380ah, Wet	1
▲▽	1	387322	(000000-	) Battery, 36Vdc, 380Ah, Wet	1
▲▲	2	01726	(000000-	) Connector, Anderson, 350A, Gray	1
▲	3	1056927	(000000-	) Spacer, Battery, Stl, Iron Gray	2
▲	4	09740	(000000-	) Screw, Hex, M08-1.25 X 20, Ss	4
▲	5	01685	(000000-	) Washer, Flat, .31 Ss	4
▲	6	08713	(000000-	) Nut, Hex, Lock, M08-1.25, NI, Ss	4

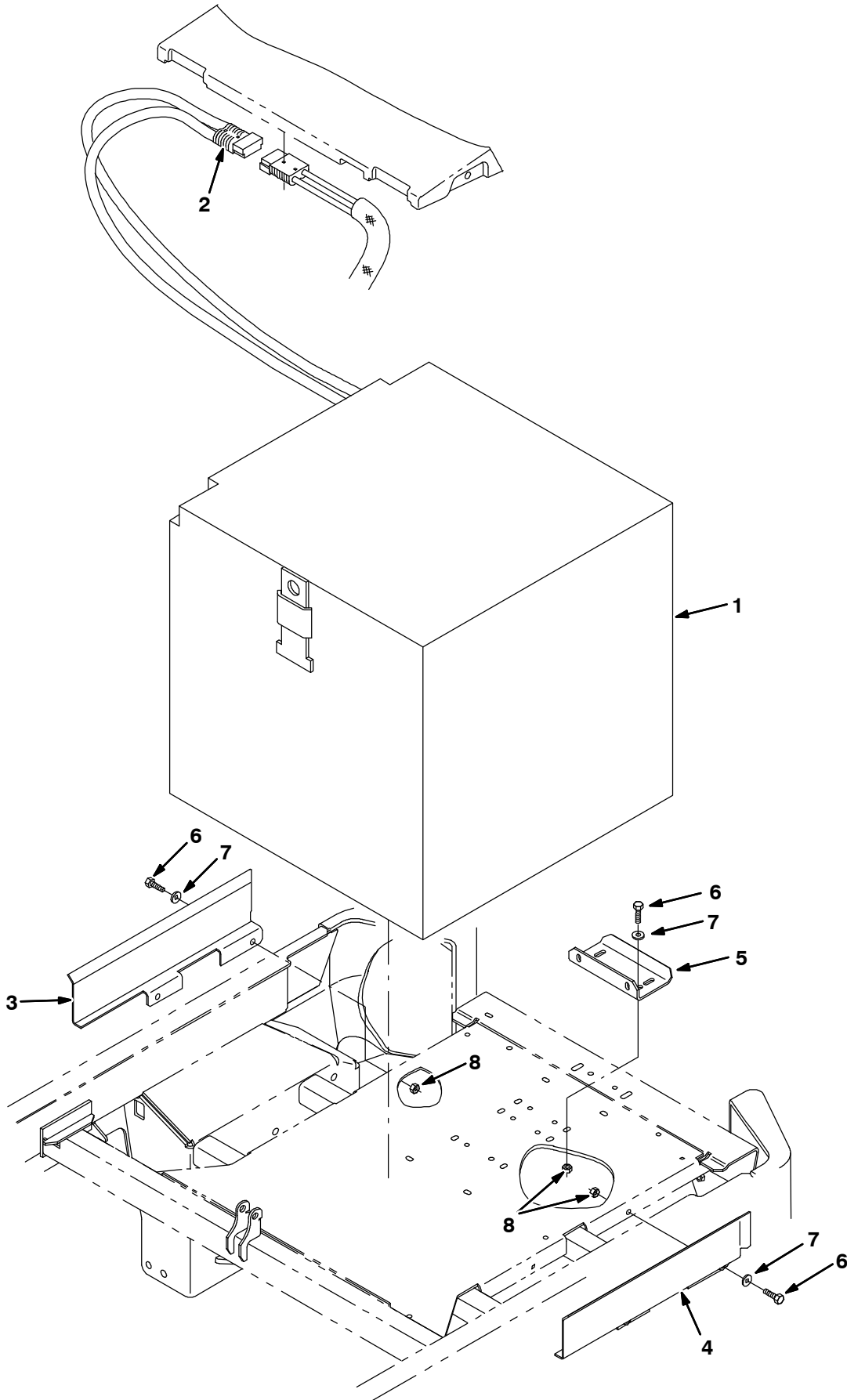
Fig. 77 - Battery Kit, 500AH Wet



**Fig. 77 - Battery Kit, 500AH Wet**

	<b>Ref.</b>	<b>Tenant Part No.</b>	<b>Machine Serial Number</b>	<b>Description</b>	<b>Qty.</b>
▽		386932	(000000-	) Battery Kit, Wet, 36vdc 0500ah, Ci	1
▲▽	1	386335	(000000-	) Battery, Wet, 36vdc 0500ah	1
▲▲	2	01726	(000000-	) Connector, 350a, Gray [Anderson]	1
▲	3	1056895	(000000-	) Spacer, Battery, Rh, Iron Gray	1
▲	4	1056896	(000000-	) Spacer, Battery, Lh, Iron Gray	1
▲	5	1056878	(000000-	) Spacer, Battery, Rear, Iron Gray	2
▲	6	09740	(000000-	) Screw, Hex, M8 X 1.25 X 20, Ss	8
▲	7	01685	(000000-	) Washer, Flat, 0.38b 0.88d .08, Ss	8
▲	8	08713	(000000-	) Nut, Hex, Lock, M8 X 1.25, NI, Ss	8

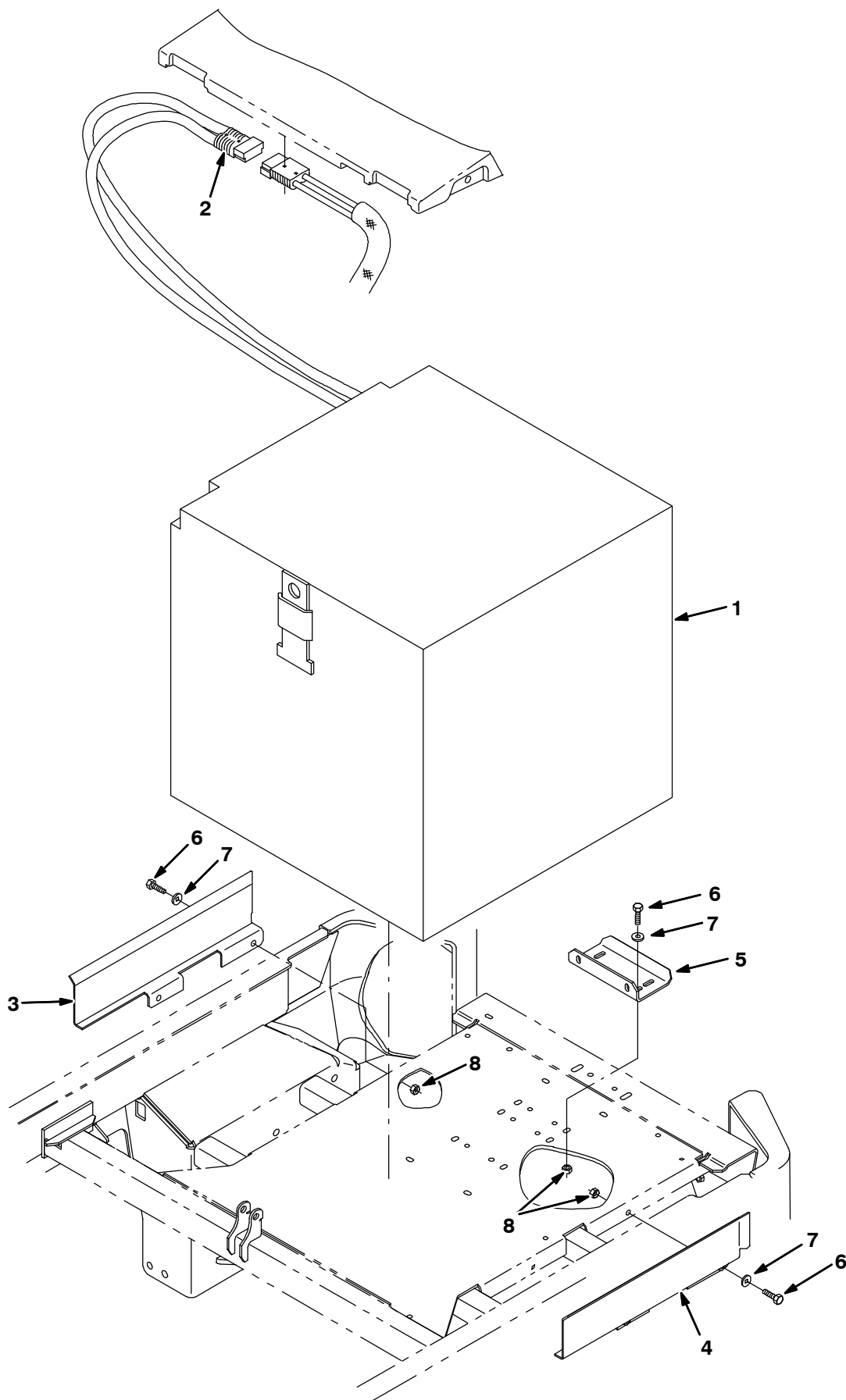
Fig. 78 - Battery Kit, 600AH (000000-004999)



**Fig. 78 - Battery Kit, 600AH (000000-004999)**

	<b>Ref.</b>	<b>Tennant Part No.</b>	<b>Machine Serial Number</b>	<b>Description</b>	<b>Qty.</b>
▽		386934	(000000-004999 )	Kit, Ci, Battery, 36vdc, 600ah, Sealed	1
▲▽	1	386334	(000000-004999 )	Battery, 36vdc, 600ah, Sealed	1
▲▲	2	01726	(000000-004999 )	Connector, Anderson, 350A, Gray	1
▲	3	386573	(000000-004999 )	Spacer, Battery, Rh	1
▲	4	386574	(000000-004999 )	Spacer, Battery, Lh	1
▲	5	1056878	(000000-004999 )	Spacer, Battery, Rear, Iron Gray	1
▲	6	09740	(000000-004999 )	Screw, Hex, M08 X 1.25 X 20, Ss	6
▲	7	01685	(000000-004999 )	Washer, Flt, .31 Ss	6
▲	8	08713	(000000-004999 )	Nut, Hex, Lock, M08 X 1.25,NI, Ss	6

Fig. 79 - Battery Kit, 600AH (005000- )

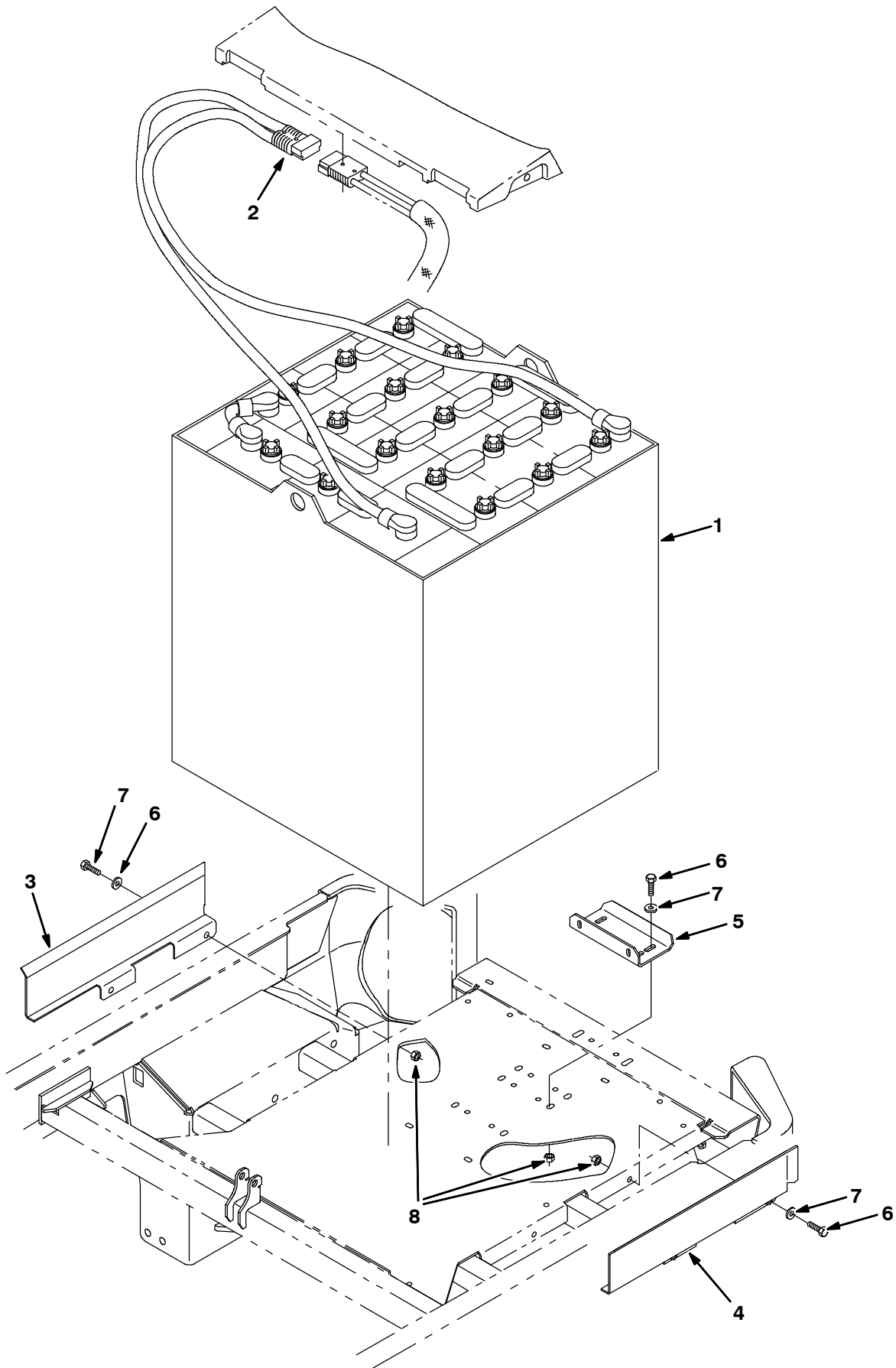




**Fig. 79 - Battery Kit, 600AH (005000- )**

	<b>Ref.</b>	<b>Tennant Part No.</b>	<b>Machine Serial Number</b>	<b>Description</b>	<b>Qty.</b>
▽		9006938	(000000-005000 )	Battery Kit, 36vdc 0600ah, Sealed, Ci	1
▲▽	1	386334	(000000-005000 )	Battery, 36vdc, 600ah, Sealed	1
▲▲	2	01726	(000000-005000 )	Connector, Anderson, 350A, Gray	1
▲	3	1056787	(000000-005000 )	Spacer, Battery, Rh, Iron Gray	1
▲	4	1056788	(000000-005000 )	Spacer, Battery, Lh, Iron Gray	1
▲	5	1056878	(000000-005000 )	Spacer, Battery, Rear, Iron Gray	1
▲	6	09740	(000000-005000 )	Screw, Hex, M08 X 1.25 X 20, Ss	6
▲	7	01685	(000000-005000 )	Washer, Flt, .31 Ss	6
▲	8	08713	(000000-005000 )	Nut, Hex, Lock, M08 X 1.25,NI, Ss	6

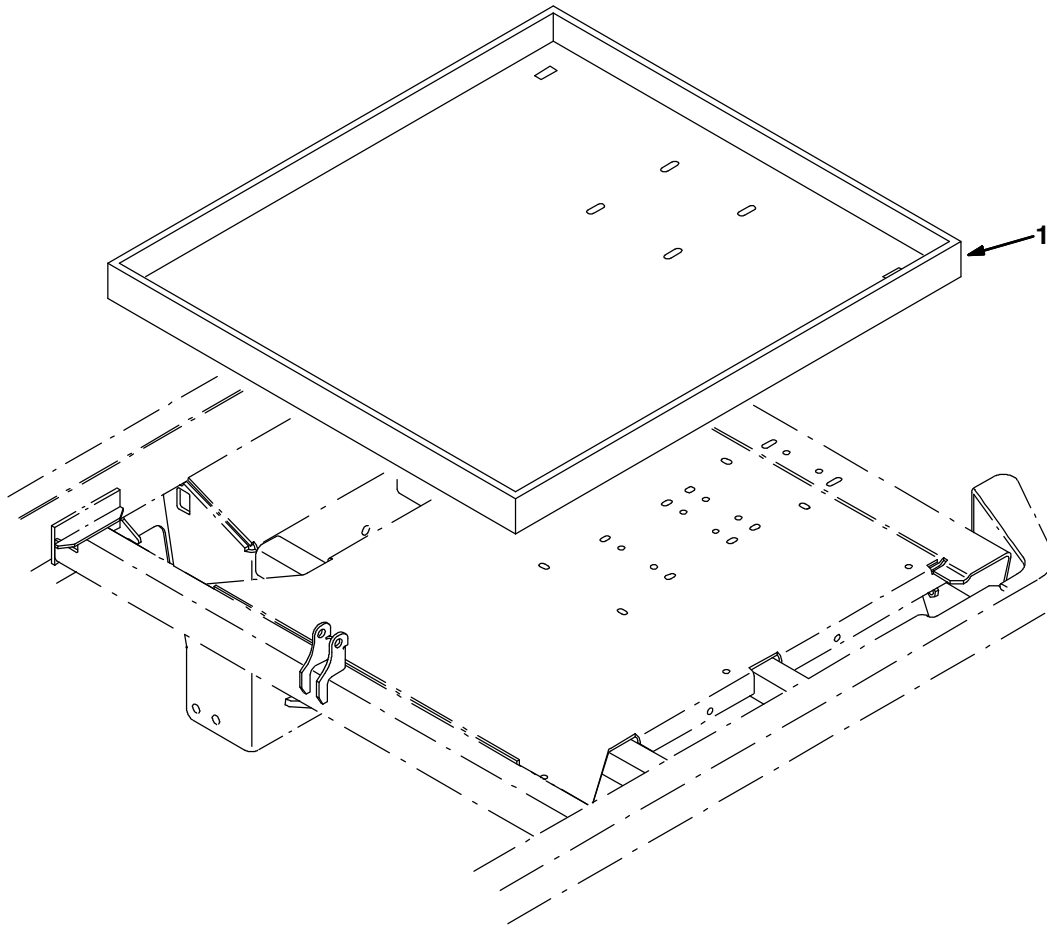
Fig. 80 - Battery Kit, 750AH Wet



**Fig. 80 - Battery Kit, 750AH Wet**

	<b>Ref.</b>	<b>Tennant Part No.</b>	<b>Machine Serial Number</b>	<b>Description</b>	<b>Qty.</b>
▽		386936	(000000-	) Kit, Ci, Battery, 36vdc, 750ah, Wet	1
▲▽	1	1018515	(000000-	) Battery, Wet, 36vdc 0750ah	1
▲▲	2	01726	(000000-	) Connector, 350a, Gray [Anderson]	1
▲	3	1056895	(000000-	) Spacer, Battery, Rh, Iron Gray	1
▲	4	1056896	(000000-	) Spacer, Battery, Lh, Iron Gray	1
▲	5	1056878	(000000-	) Spacer, Battery, Rear, Iron Gray	1
▲	6	09740	(000000-	) Screw, Hex, M8 X 1.25 X 20, Ss	6
▲	7	01685	(000000-	) Washer, Flat, 0.38b 0.88d .08, Ss	6
▲	8	08713	(000000-	) Nut, Hex, Lock, M8 X 1.25, NI, Ss	6

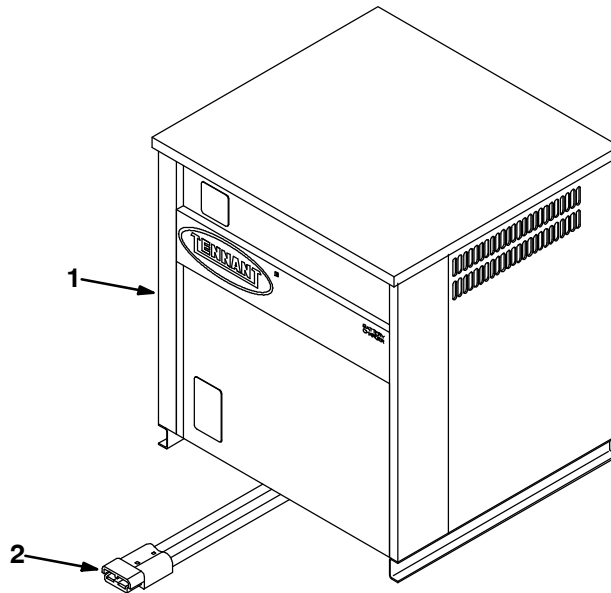
**Fig. 81 - Battery Tray Group**



356239 - NA

<b>Ref.</b>	<b>Tenant Part No.</b>	<b>Machine Serial Number</b>	<b>Description</b>	<b>Qty.</b>
	387622	(000000-	) Tray Wldt, Battery, 500Ah, 750Ah	1

Fig. 82 - Battery Charger Group, 75A, 36V, 60Hz 1PH (380Ah Batteries)



353364 - 7300, NA

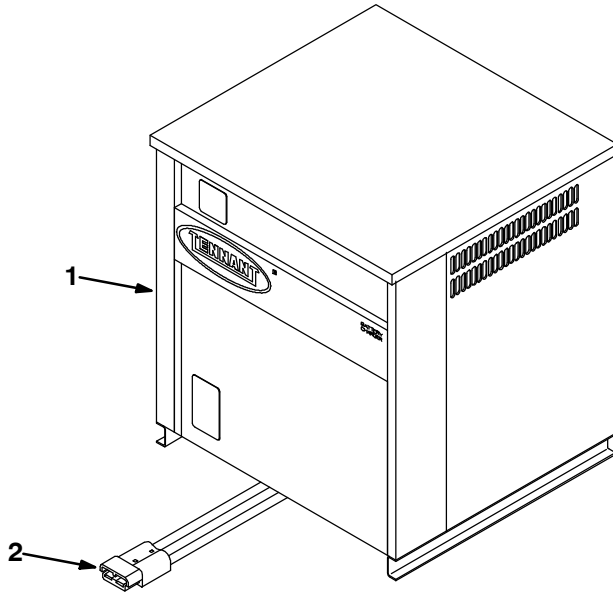
	Ref.	Tennant Part No.	Machine Serial Number	Description	Qty.
▽	1	398281	(000000-	) Charger, 36V/75A 60Hz/1Ph	1
▲	2	01726	(000000-	) Connector, Anderson, 350A, Gray	1

**INTERNATIONAL ONLY**

▽	1	363262	(000000-	) Charger, 380AH, 75A, 1PH, 50Hz	1
▲	2	01726	(000000-	) Connector, Anderson, 350A, Gray	1
▽	1	363263	(000000-	) Charger, 380AH, 75A, 3PH, 50Hz	1
▲	2	01726	(000000-	) Connector, Anderson, 350A, Gray	1
▽	1	398316	(000000-	) Charger, 500AH, 120A, 1PH, 50Hz	1
▲	2	01726	(000000-	) Connector, Anderson, 350A, Gray	1
▽	1	398289	(000000-	) Charger, 500AH, 120A, 3PH, 50Hz	1
▲	2	01726	(000000-	) Connector, Anderson, 350A, Gray	1

# OPTIONS

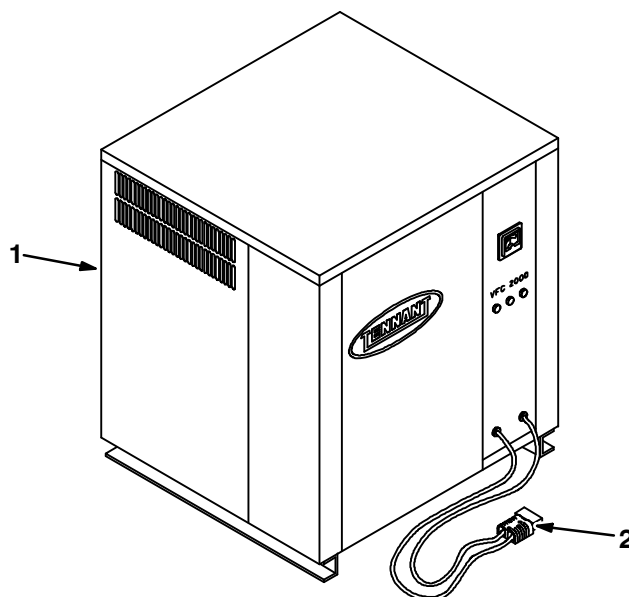
**Fig. 83 - Battery Charger Group, 75A, 36V, 60Hz 3Ph (380Ah Batteries)**



353364 - 7300, NA

	Ref.	Tennant Part No.	Machine Serial Number	Description	Qty.
▽	1	398283	(000000-	) Charger, 36V/75A 60Hz/3Ph	1
▲	2	01726	(000000-	) Connector, Anderson, 350A, Gray	1

Fig. 84 - Battery Charger Group, 120A, 36V, 60Hz 1Ph (500Ah Batteries)

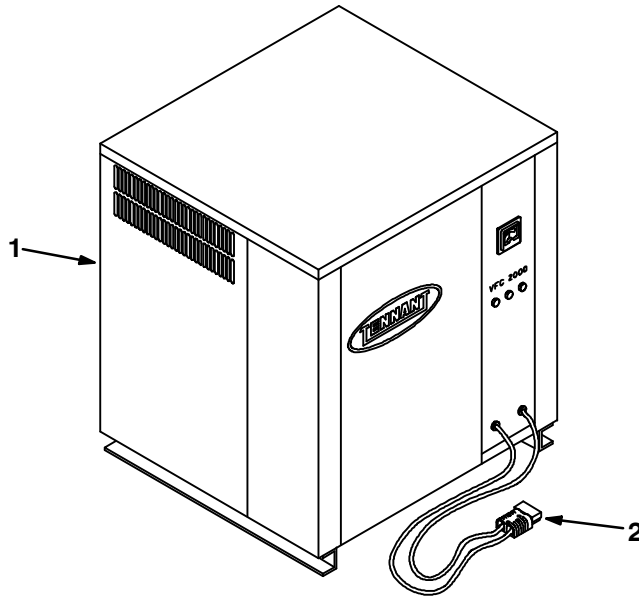


06051 - NA

	Ref.	Tennant Part No.	Machine Serial Number	Description	Qty.
▽	1	398285	(000000-	) Charger, 36V/120A 60H/1Ph 480V	1
▲	2	01726	(000000-	) Connector, Andersn 350A,Gray	1

# OPTIONS

Fig. 85 - Battery Charger Group, 120A, 36V, 60Hz 3Ph (500Ah Batteries)

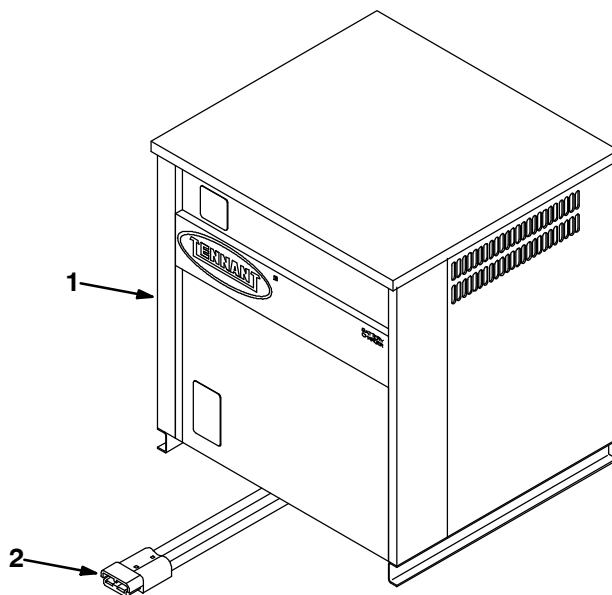


06051 - NA

	Ref.	Tennant Part No.	Machine Serial Number	Description	Qty.
▽	1	398288	(000000-	) Charger, 36V/120A 60H/3Ph 480V	1
▲	2	01726	(000000-	) Connector, Andersn 350A, Gray	1



Fig. 86 - Battery Charger Group, 150A, 36V, 60Hz (750Ah Batteries)

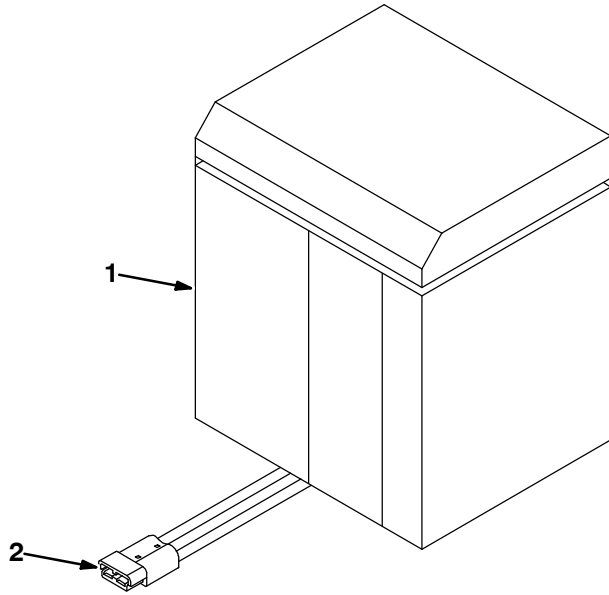


353364 - NA

	Ref.	Tennant Part No.	Machine Serial Number	Description	Qty.
▽	1	398292	(000000-	) Charger, 36V/150A 60Hz	1
▲	2	01726	(000000-	) Connector, Anderson, 350A, Gray	1

# OPTIONS

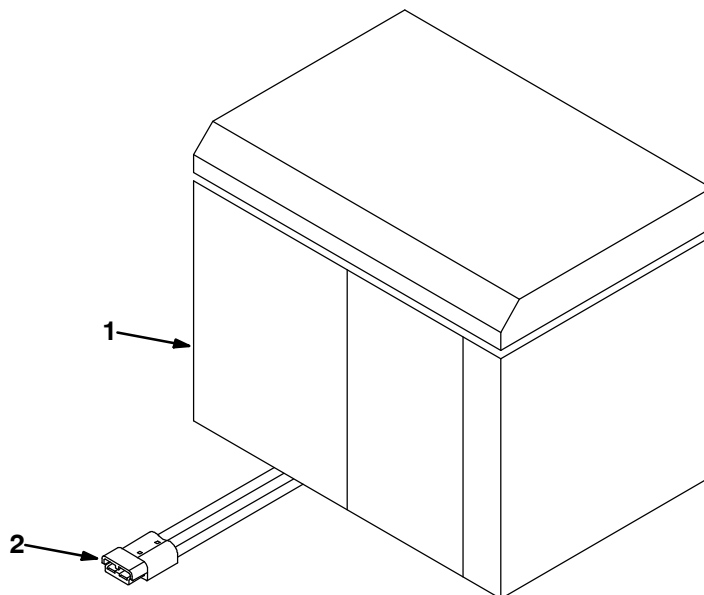
Fig. 87 - Battery Charger Group, 93A, 36V, 60Hz 1Ph (600Ah Batteries)



353365 - NA

	Ref.	Tenant Part No.	Machine Serial Number	Description	Qty.
▽	1	386338	(000000-	) Charger, 36V/93A 60Hz, 1Ph, Sealed	1
▲	2	01726	(000000-	) Connector, Anderson, 350A, Gray	1

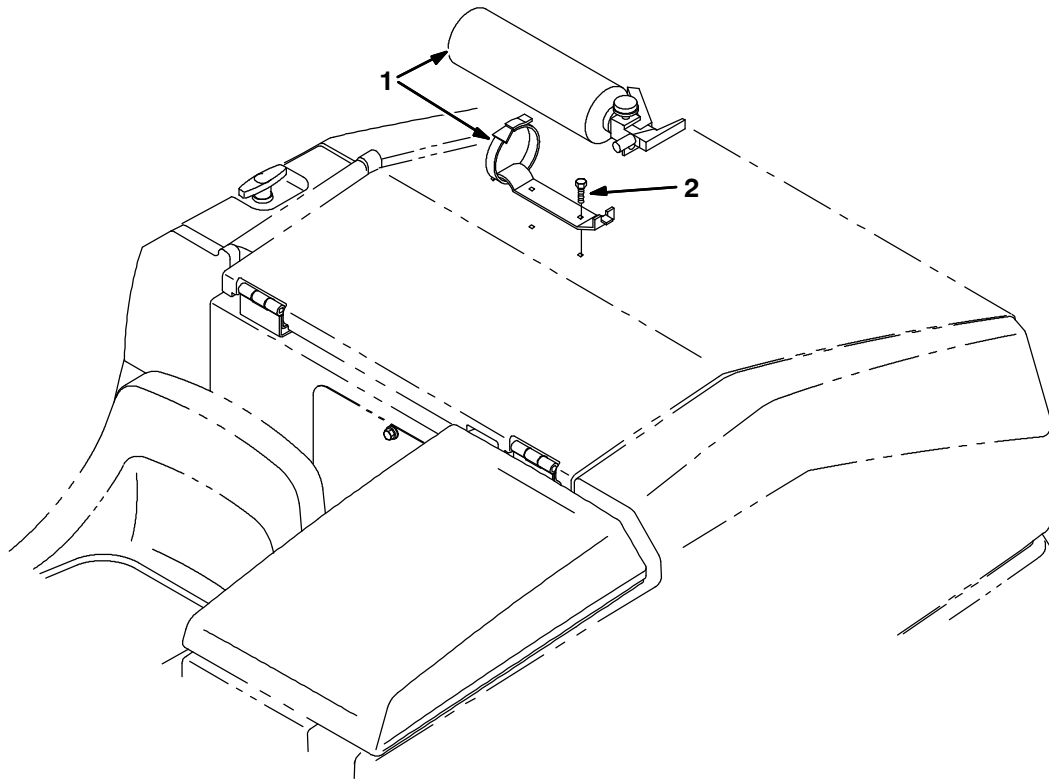
Fig. 88 - Battery Charger Group, 93A, 36V, 60Hz 3Ph (600Ah Batteries)



353366 - NA

	Ref.	Tennant Part No.	Machine Serial Number	Description	Qty.
▽	1	386344	(000000-	) Charger, 36V/93A 60Hz, 3Ph, Sealed	1
▲	2	01726	(000000-	) Connector, Anderson, 350A, Gray	1

**Fig. 89 - Fire Extinguisher Kit**



353282 - NA

	<b>Ref.</b>	<b>Tennant Part No.</b>	<b>Machine Serial Number</b>	<b>Description</b>	<b>Qty.</b>
▽		387457	(000000- )	Kit, CI, Extinguisher, Fire, [7300/8300]	1
▲▽	1	25312	(000000- )	Extinguisher, Fire	1
▲▲	2	360973	(000000- )	Screw, Pan, #12-16 x 0.50, F/Plstc	2

**Fig. 90 - Documentation Group**

07501 - 7300, NA

<b>Ref.</b>	<b>Tennant Part No.</b>	<b>Machine Serial Number</b>	<b>Description</b>	<b>Qty.</b>
	330610	(000000-	) Manual Pkg, (7300 Ele Na)	1
	330611	(000000-	) Manual, Fiche, (7300 Ele)	1
	330615	(000000-	) Manual, Service, (7300 Ele Na)	1
	330612	(000000-	) Manual, Oprtr, (7300 Ele Es Na)	1
	330613	(000000-	) Manual, Oprtr, (7300 Ele Fr Na)	1
	387494	(000000-	) Video, Operator, Vhs, Ntsc [7300]	1
	1041884	(000000-	) Video, Oprtr, Training, Dvd [7300]	1
	9006257	(000000-	) Media, Cd-Rom, Training [ec-H2O TENNANT]	1



## SECTION 4

<b>Contents</b>	<b>Page</b>
Fig. 1 - Electric Motor Breakdown, 17363 .	4-2
Fig. 2 - Electric Motor Breakdown, 398520	4-4
Fig. 3 - Electric Motor Breakdown, 60198 .	4-6
Fig. 4 - Electric Motor Breakdown, 386050	4-7
Fig. 5 - Electric Motor Breakdown, 386679	4-8
Fig. 6 - Electric Motor Breakdown, 387585	4-9
Fig. 7 - Electric Motor Breakdown, 386687	4-10
Fig. 8 - Water Pump Breakdown, 387321	4-11
Fig. 9 - Metering Solution Pump Breakdown, 386364 .....	4-12
Fig. 10 - Hydraulic Powerunit Breakdown, 368704 .....	4-13
Fig. 11 - Hydraulic Motor Breakdown, 386703 .....	4-14
Fig. 12 - Steering Control Valve Breakdown, 373495 .....	4-15
Fig. 13 - ec-H2O Module Assembly Breakdown, 9006270 .....	4-16
Fig. 14 - ec-H2O Solution Pump Breakdown, 1005866 .....	4-18
Fig. 15 - FaST Injector Assebmly Breakdown, 1050333 .....	4-19

**Fig. 1 - Electric Motor Breakdown, 17363**

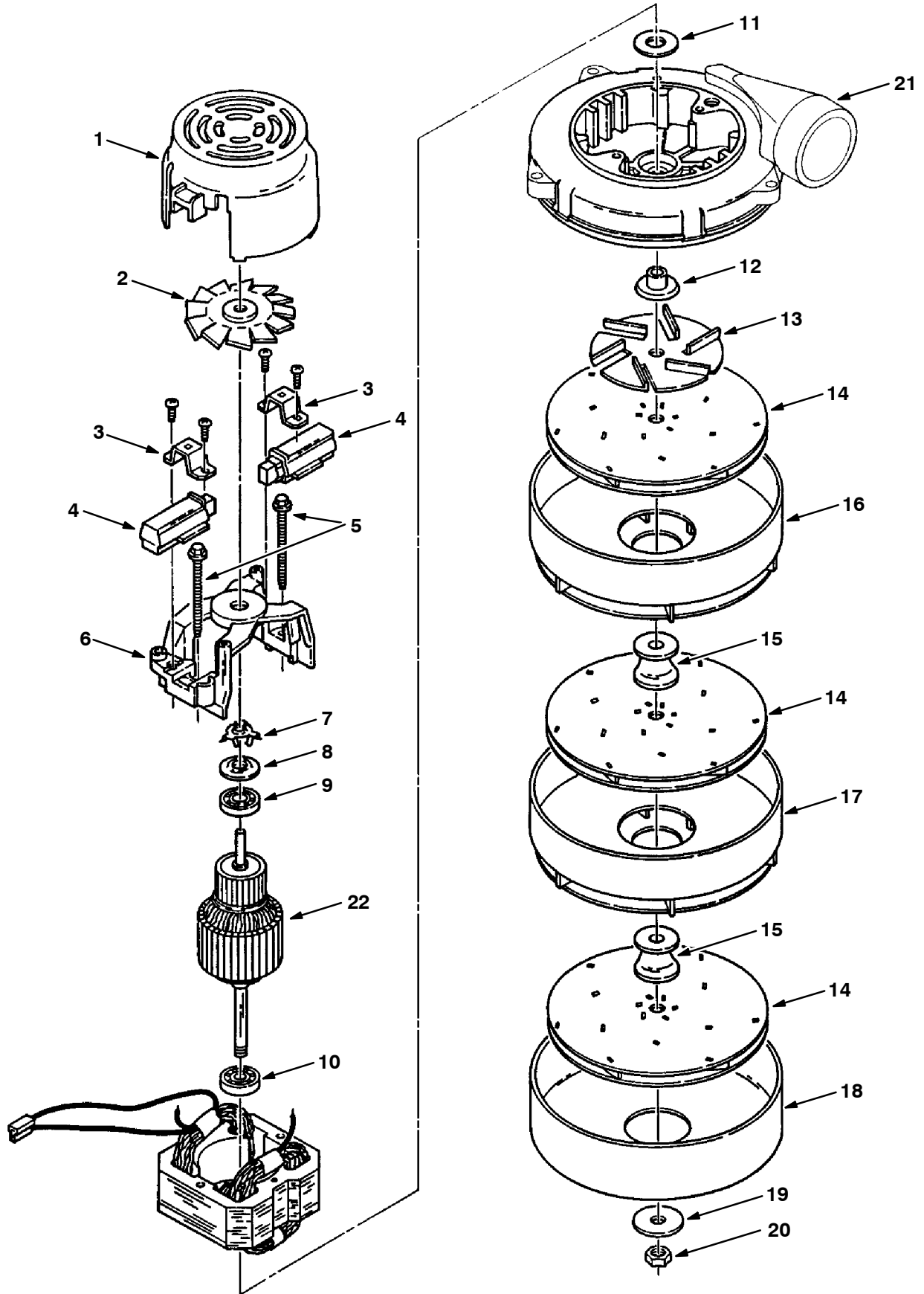




Fig. 1 - Electric Motor Breakdown, 17363

Ref.	Tenant Part No.	Machine Serial Number	Description	Qty.
▽	17363	(000000-	) Fan vacuum, 36v	1
▲	1 37926	(000000-	) Housing	1
▲	2 61298	(000000-	) Fan	1
▲	3 01982	(000000-	) Clamp	2
▲	4 11756	(000000-	) Brush mechanism	2
▲	5 01969	(000000-	) Screw	2
▲	6 01983	(000000-	) Comm. bracket	1
▲	7 01856	(000000-	) Spring, load	1
▲	8 37909	(000000-	) Disc	1
▲	9 01842	(000000-	) Bearing	1
▲	10 01837	(000000-	) Bearing	1
▲	11 37912	(000000-	) Washer, fl neo, 10.8x22x1.5	1
▲	12 18627	(000000-	) Spacer	1
▲	13 01971	(000000-	) Fan	1
▲	14 18628	(000000-	) Fan, rotating	3
▲	15 18630	(000000-	) Spacer	2
▲	16 61300	(000000-	) Fan, stationary	1
▲	17 61297	(000000-	) Fan, stationary	1
▲	18 61301	(000000-	) Shell	1
▲	19 378983	(000000-	) Washer	1
▲	20 37929	(000000-	) Nut	1
▲	21 60386	(000000-	) Bracket, Fan End	1
▲	22 21765	(000000-	) Armature	1
▲	223264	(000000-	) Seal, Fan	1
▲	10925	(000000-	) Connector, 2 Conductor	1
▲	10926	(000000-	) Terminal, Female	2

Fig. 2 - Electric Motor Breakdown, 398520

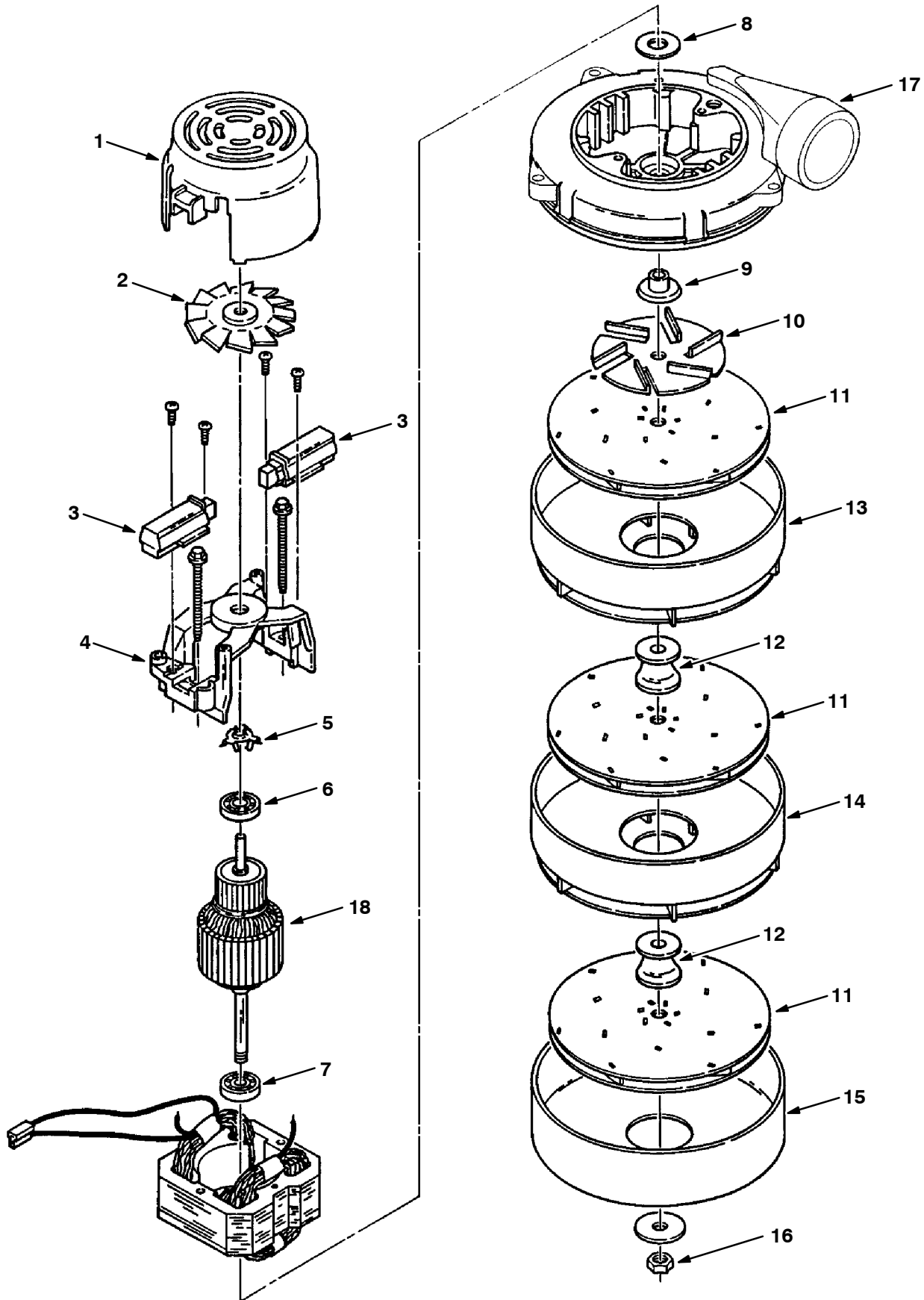
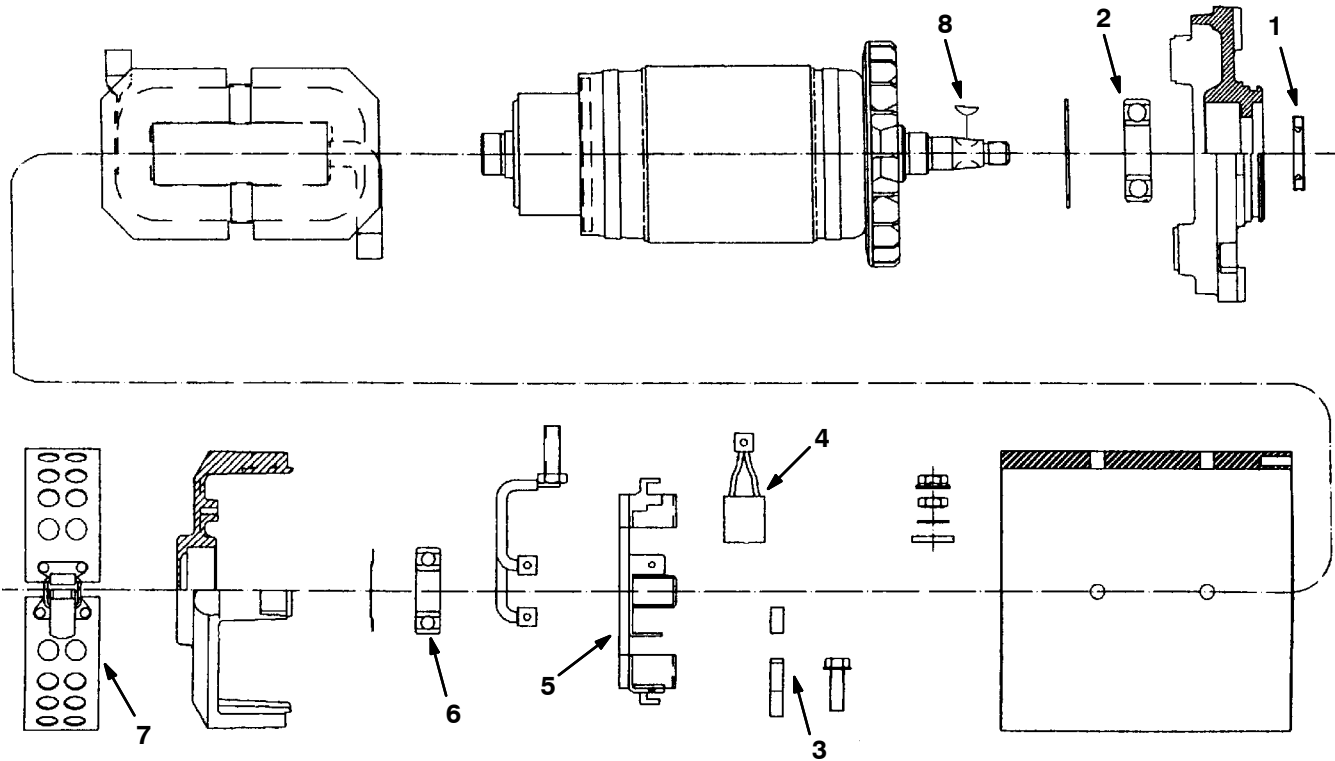


Fig. 2 - Electric Motor Breakdown, 398520

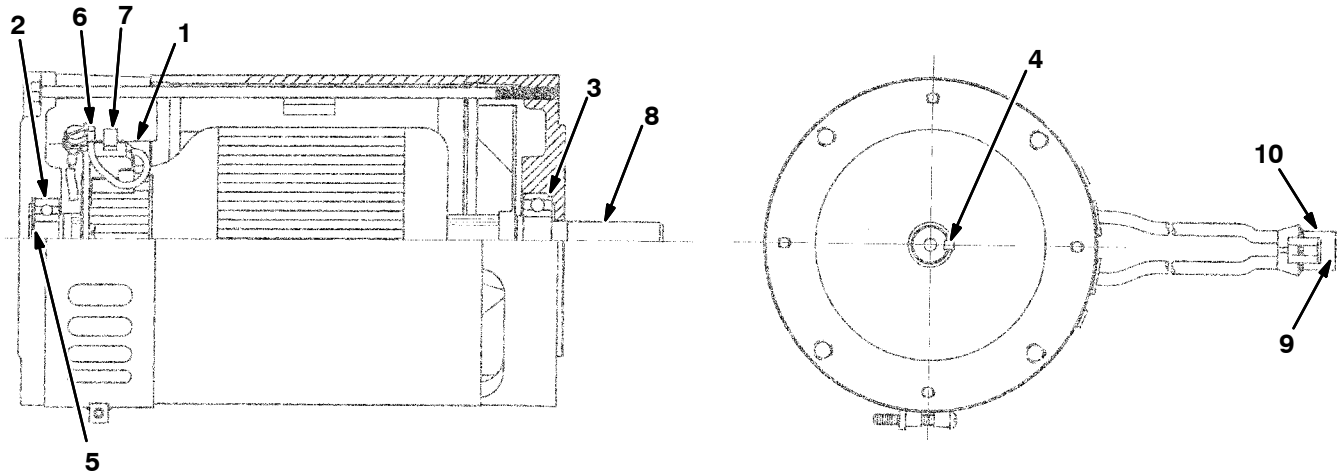
	Ref.	Tenant Part No.	Manufacturer Serial Number	Description	Qty.
▽		398520	(000000-	) Fan, Vacuum	1
▲	1	398511	(000000-	) Housing	1
▲	2	398512	(000000-	) Fan	1
▲	3	398513	(000000-	) Brush Mechanism	2
▲	4	398514	(000000-	) Comm. Bracket	1
▲	5	01856	(000000-	) Spring	1
▲	6	398515	(000000-	) Bearing	1
▲	7	01837	(000000-	) Bearing	1
▲	8	37912	(000000-	) Washer, Neo.	1
▲	9	398516	(000000-	) Spacer	1
▲	10	01971	(000000-	) Fan	1
▲	11	18628	(000000-	) Vacuum Fan	3
▲	12	398517	(000000-	) Spacer	2
▲	13	61300	(000000-	) Stationary Fan	1
▲	14	61297	(000000-	) Stationary Fan	1
▲	15	398518	(000000-	) Shell	1
▲	16	37929	(000000-	) Nut	1
▲	17	60386	(000000-	) Bracket, Fan End	1
▲	18	398519	(000000-	) Armature	1
▲		223264	(000000-	) Seal, Fan	1
▲		10925	(000000-	) Connector, 2 Conductor	1
▲		10926	(000000-	) Terminal, Female	2

**Fig. 3 - Electric Motor Breakdown, 60198**



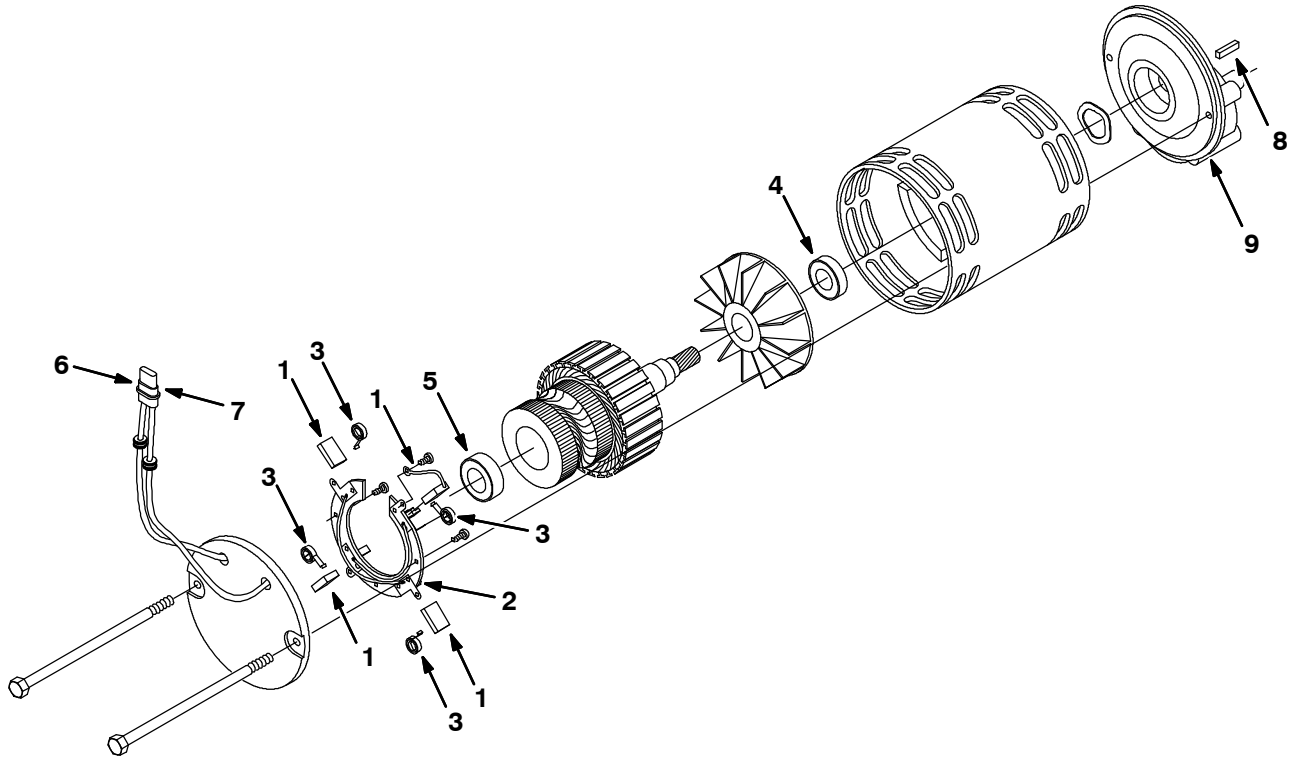
Ref.	Tenant Part No.	Machine Serial Number	Description	Qty.
▽	60198	(000000-	) Motor, traction 36v	
▲	1 48753	(000000-	) Seal	1
▲	2 48754	(000000-	) Bearing	1
▲	3 48755	(000000-	) Spring, brush	4
▲▽	4 363491	(000000-	) Brush kit, propelling motor	1
▲▲	48756	(000000-	) Brush	4
▲	5 48757	(000000-	) Brush, box & plate assy	1
▲	6 48758	(000000-	) Bearing	1
▲	7 361973	(000000-	) Band, Brush Cover	1
▲	8 00500-7	(000000-	) Key, Woodruff, 0.16 0.62	1

**Fig. 4 - Electric Motor Breakdown, 386050**



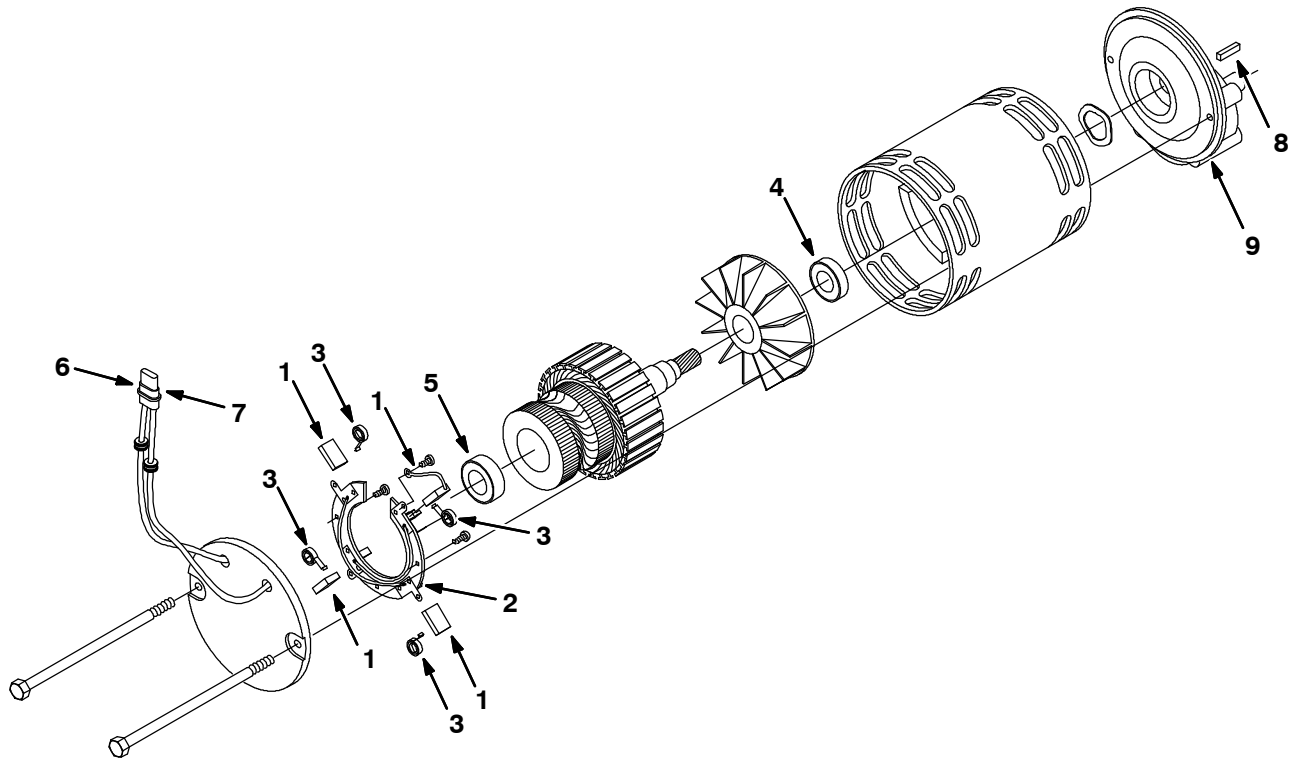
Ref.	Tennant Part No.	Machine Serial Number	Description	Qty.	
▽	386050	(000000-	) Motor, Ele, 36 Vdc 1500 Rpm 1.5 Hp		
▲	1	41367	(000000-	) Brush	4
▲	2	41368	(000000-	) Bearing	1
▲	3	41371	(000000-	) Bearing	1
▲	4	00918	(000000-	) Key, Sq, 0.19 X 0.19, 01.25L	1
▲	5	387250	(000000-	) Spring, Bearing	1
▲	6	21800	(000000-	) Ring, Brush	1
▲	7	60189	(000000-	) Spring	4
▲	8	387251	(000000-	) Armature Assy, Complt	1
▲	9	24537	(000000-	) Terminal, [Metripk630], Fem 10	2
▲	10	10925	(000000-	) Connector, 2-Conductor	1

**Fig. 5 - Electric Motor Breakdown, 386679**



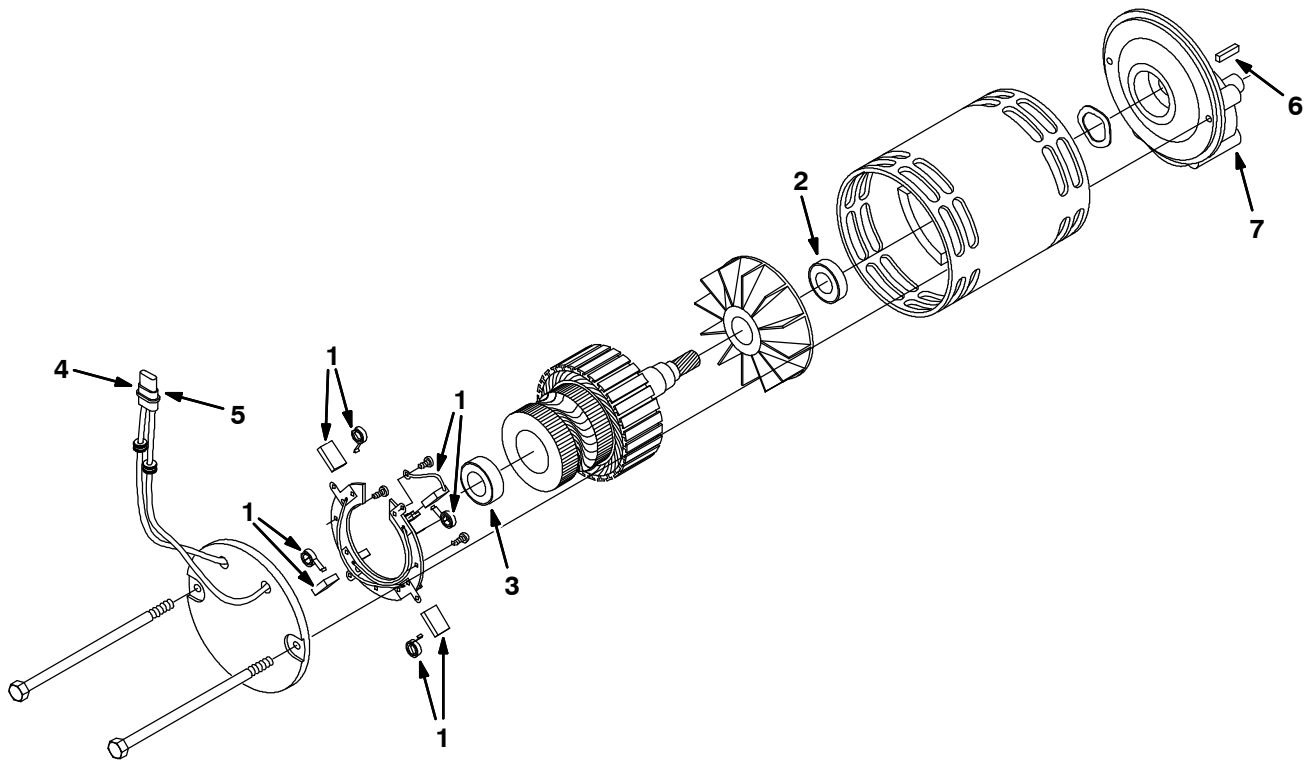
Ref.	Tennant Part No.	Machine Serial Number	Description	Qty.
▽	386679	(000000-	) Motor, Gear, Ele, 1.5Hp, 36Vdc, 300Rpm	
▲	1 387371	(000000-	) Brush Kit	1
▲▽	2 387373	(000000-	) Brush Holder Assy	1
▲▲	3 387374	(000000-	) Spring, Brush	4
▲	4 41371	(000000-	) Bearing	1
▲	5 41368	(000000-	) Bearing	1
▲	6 10925	(000000-	) Connector Body	1
▲	7 24537	(000000-	) Terminal	2
▲	8 00928	(000000-	) Key Square 0.25 X 0.25, 01.00L	1
▲	9 387372	(000000-	) Gearbox, Motor	1

**Fig. 6 - Electric Motor Breakdown, 387585**



Ref.	Tennant Part No.	Machine Serial Number	Description	Qty.
▽	387585	(000000-	) Motor, Gear, Ele, 1.5Hp, 36Vdc, 300Rpm	
▲	1 387589	(000000-	) Brush	4
▲	2 387590	(000000-	) Brush, Board, Assy	1
▲	3 387592	(000000-	) Spring, Brush	4
▲	4 387587	(000000-	) Bearing	1
▲	5 387588	(000000-	) Bearing	1
▲	6 10925	(000000-	) Connector Body	1
▲	7 24537	(000000-	) Terminal	2
▲	8 00928	(000000-	) Key Square 0.25 X 0.25, 01.00L	1
▲	9 374005	(000000-	) Gearbox, Motor	1

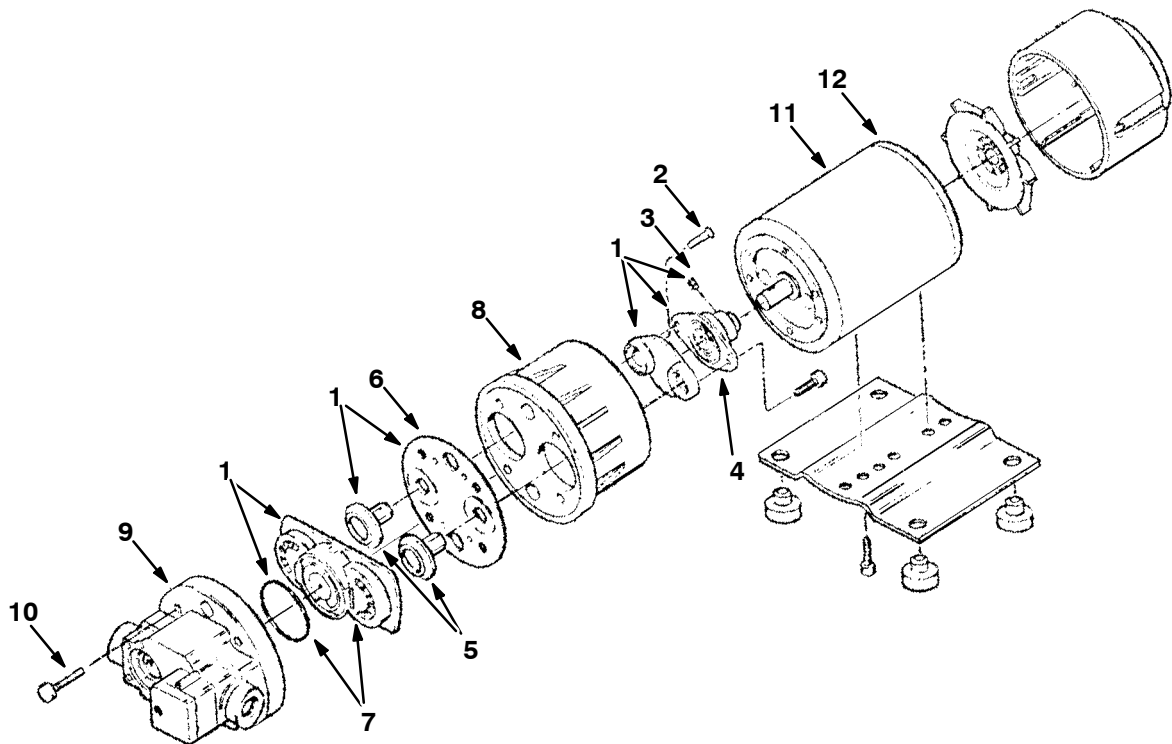
**Fig. 7 - Electric Motor Breakdown, 386687**



Ref.	Tenant Part No.	Manufacturer Serial Number	Description	Qty.	
▽	386687	(000000-	) Motor, Gear, 1.0Hp 36V	1	
▲	1	222606	(000000-	) Brush Kit	1
▲	2	222618	(000000-	) Bearing	1
▲	3	222617	(000000-	) Bearing	1
▲	4	10925	(000000-	) Connector Body	1
▲	5	24537	(000000-	) Terminal	2
▲	6	00928	(000000-	) Key Square 0.25 0.25 01.00 Lg	1
▲	7	374005	(000000-	) Gearbox, Motor	1

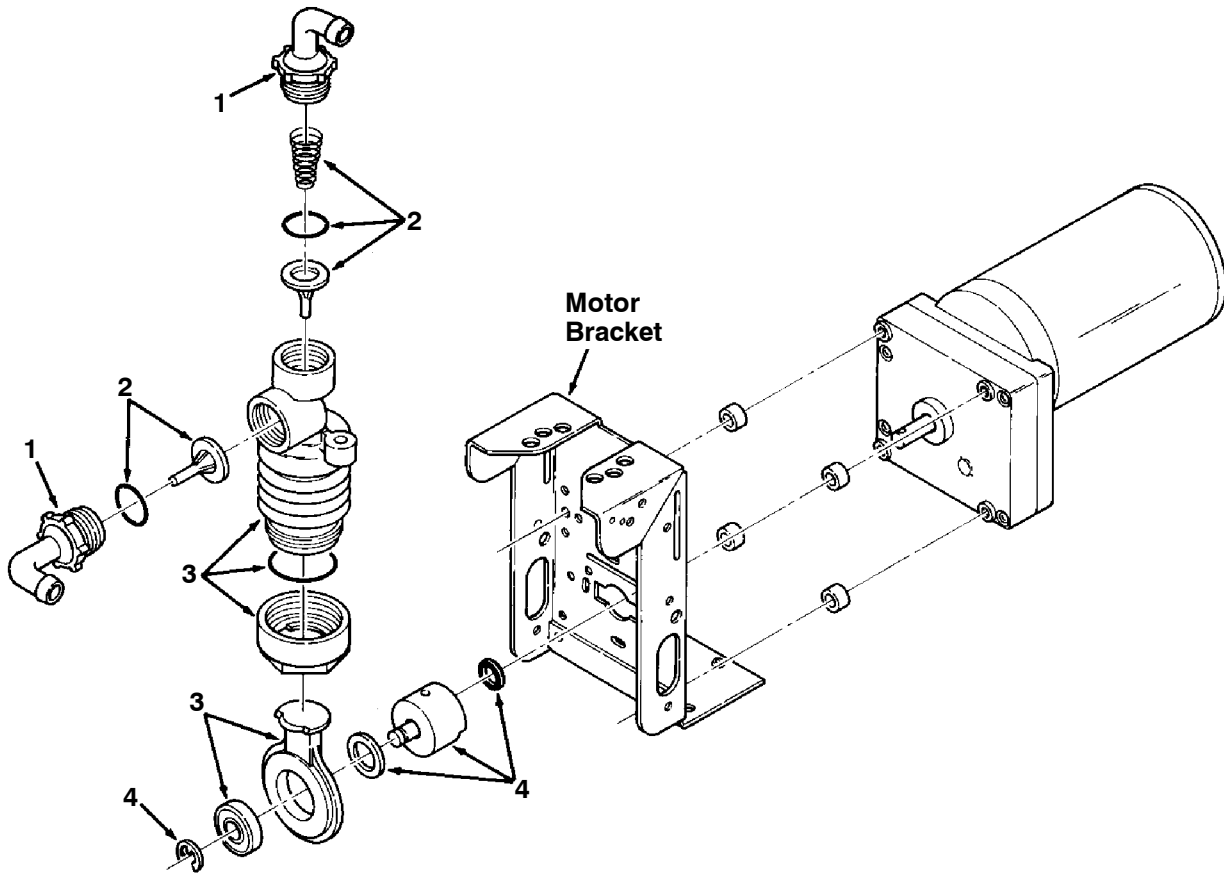


**Fig. 8 - Water Pump Breakdown, 387321**



Ref.	Tennant Part No.	Machine Serial Number	Description	Qty.
▽	387321	(000000-	) Pump kit, power wand	1
▲	1 65678	(000000-	) Seal kit	1
▲	2 65667	(000000-	) Screw	1
▲	3 65668	(000000-	) Screw	1
▲	4 370923	(000000-	) Cam/bearing\Diaphragm Kit	1
▲	5 65671	(000000-	) Piston	1
▲	6 65672	(000000-	) Diaphragm kit	1
▲	7 65673	(000000-	) Check valve assy	1
▲	8 65670	(000000-	) Bearing cover	1
▲	9 65674	(000000-	) Switch assy	1
▲	10 65675	(000000-	) Pump screw	1
▲	11 65676	(000000-	) Motor	1
▲	12 65677	(000000-	) Brush/rectifier Assy	1
▲	78950	(000000-	) Connector assy	2
▲	78951	(000000-	) Terminal female	2
▲	10917	(000000-	) Seal connector	2

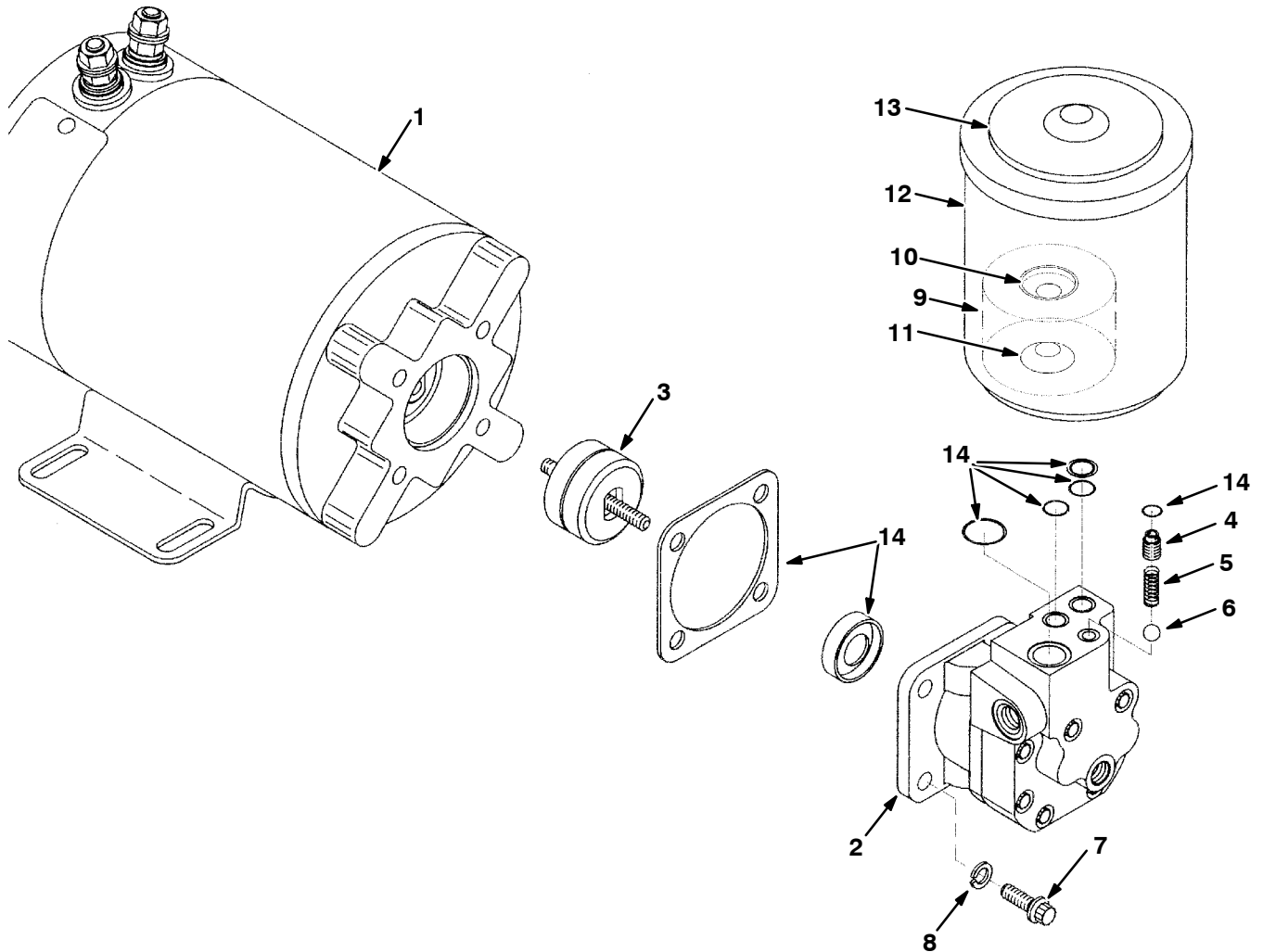
**Fig. 9 - Metering Solution Pump Breakdown, 386364**



00112 - ALL

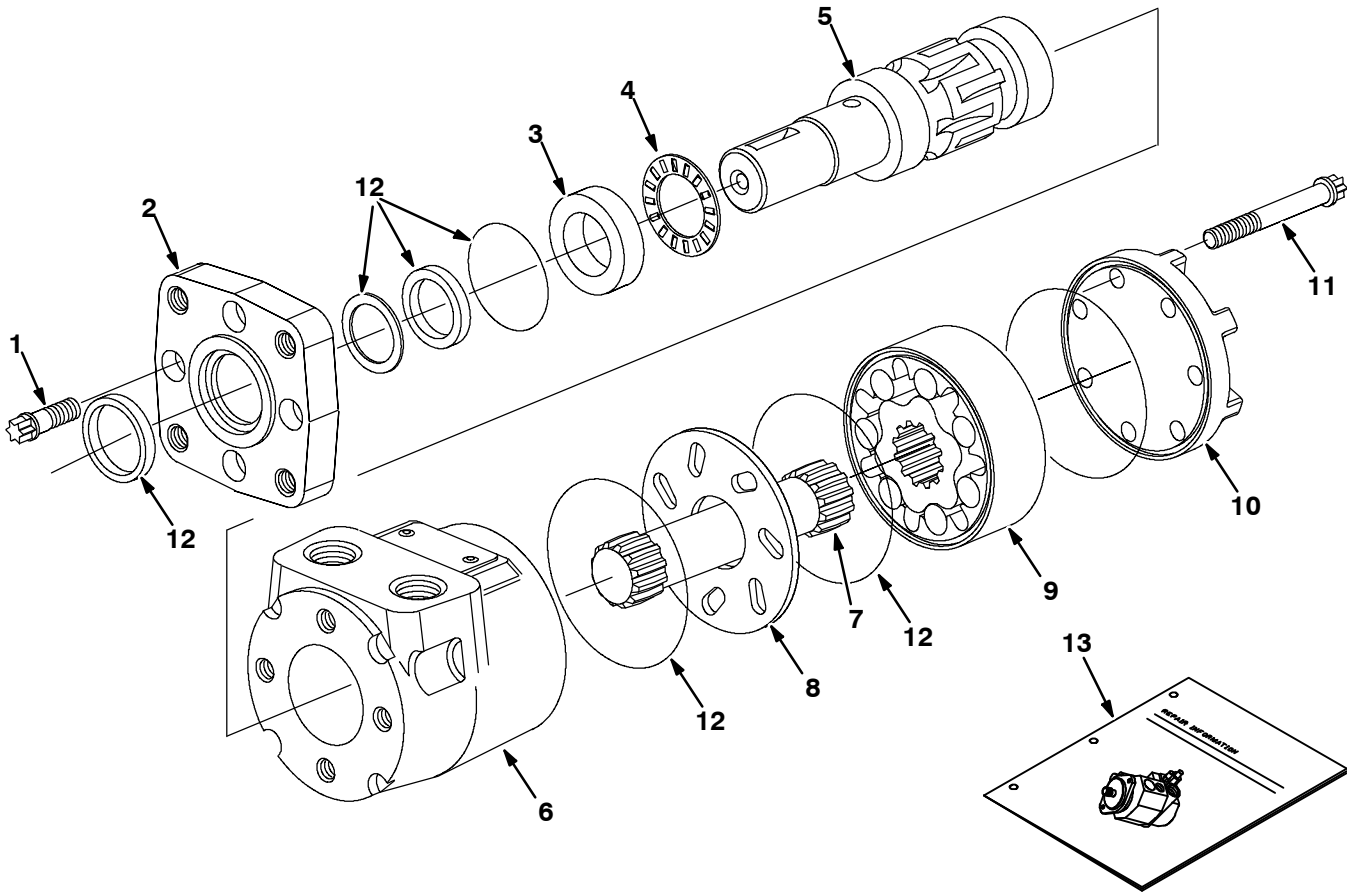
Ref.	Tennant Part No.	Manufacturer Serial Number	Description	Qty.
▽	386364	(000000-	) Pump, Metering Solution	1
▲ 1	63923	(000000-	) Connector Kit, Tubing	1
▲ 2	21659	(000000-	) Valve Kit, Pump	1
▲ 3	21661	(000000-	) Replacement Kit, Bellows	1
▲ 4	02430	(000000-	) Crank Replacement Kit	1

**Fig. 10 - Hydraulic Powerunit Breakdown, 368704**



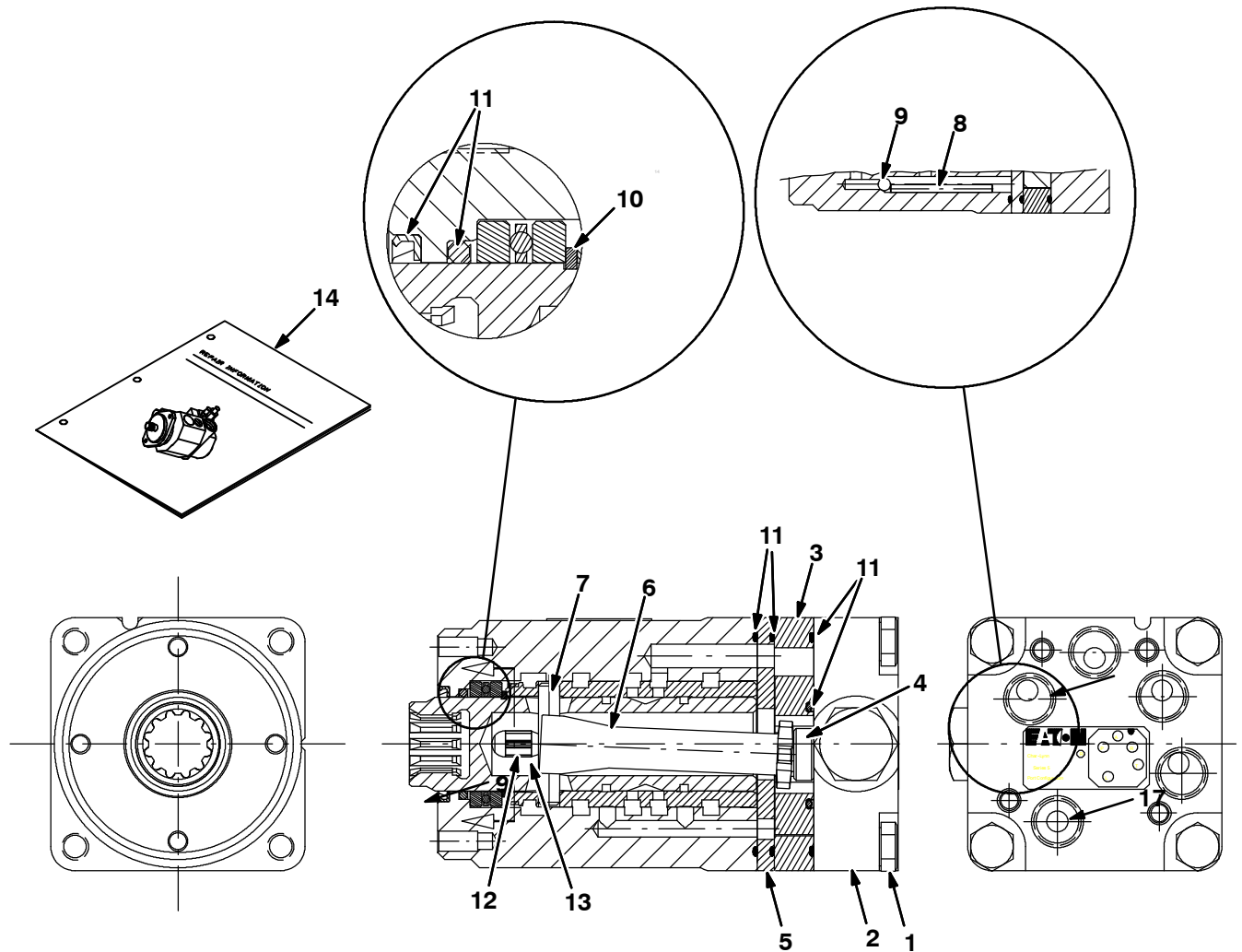
Ref.	Tennant Part No.	Machine Serial Number	Description	Qty.
▽	386704	(000000-	) Powerunit, Hyd, 36Vdc	1
▲	1 387597	(000000-	) Motor, Elect	1
▲	2 387598	(000000-	) Pump assy	1
▲	3 387599	(000000-	) Coupling, Flexible	1
▲	4 387600	(000000-	) Screw, Adjuster	1
▲	5 387607	(000000-	) Spring	1
▲	6 387608	(000000-	) Ball, Check	1
▲	7 387609	(000000-	) Screw, Mtg	4
▲	8 387610	(000000-	) Washer	4
▲	9 387602	(000000-	) Element, Fltr	1
▲	10 387603	(000000-	) Seal, Cup, Upper	1
▲	11 387604	(000000-	) Seal, Cup, Lower	1
▲	12 387605	(000000-	) Reservoir	1
▲	13 387606	(000000-	) Cover, Reservoir	1
▲	14 387601	(000000-	) Kit, Seal	1

**Fig. 11 - Hydraulic Motor Breakdown, 386703**



Ref.	Tenant Part No.	Machine Serial Number	Description	Qty.	
▽	386703	(000000-	) Motor, Hyd	1	
▲	1	37555	(000000-	) Screw	4
▲	2	763504	(000000-	) Flange	1
▲	3	16695	(000000-	) Race Thrust	1
▲	4	45628	(000000-	) Bearing, Thrust	1
▲	5	763508	(000000-	) Shaft, Output	1
▲	6	22655	(000000-	) Housing	1
▲	7	373344	(000000-	) Drive, Main	1
▲	8	22658	(000000-	) Spacer	1
▲	9	373343	(000000-	) Geroler S/A	1
▲	10	373422	(000000-	) Cap, End	1
▲	11	21958	(000000-	) Cap Screw	7
▲	12	373423	(000000-	) Kit, Seal, Motor	1
▲	13	22661	(000000-	) Instruction, Repair	1

Fig. 12 - Steering Control Valve Breakdown, 373495



Ref.	Tennant Part No.	Machine Serial Number	Description	Qty.	
▽	373495	(000000-	) Steer-Control, Hyd	4	
▲	1	373567	(000000-	) Screw, Cap	1
▲	2	373568	(000000-	) Cap, End	1
▲	3	373569	(000000-	) Geroter	1
▲	4	373570	(000000-	) Spacer	1
▲	5	373571	(000000-	) Plate, Wear	1
▲	6	74231	(000000-	) Drive, Valve, Strg	1
▲	7	74232	(000000-	) Pin, Valve, Strg	1
▲	8	373572	(000000-	) Pin	1
▲	9	74114	(000000-	) Ball, Check, Strg Valve	1
▲	10	74243	(000000-	) Ring, Retainer, Valve, Strg	1
▲	11	74244	(000000-	) Kit, Seal, Hyd, Valve, Strg	1
▲	12	74196	(000000-	) Kit, Spring, Valve, Strg	1
▲	13	21935	(000000-	) Bearing Kit	1
▲	14	74245	(000000-	) Instruction, Repair, Valve, Strg	1

**Fig. 13 - ec-H2O Module Assembly Breakdown, 9006270**

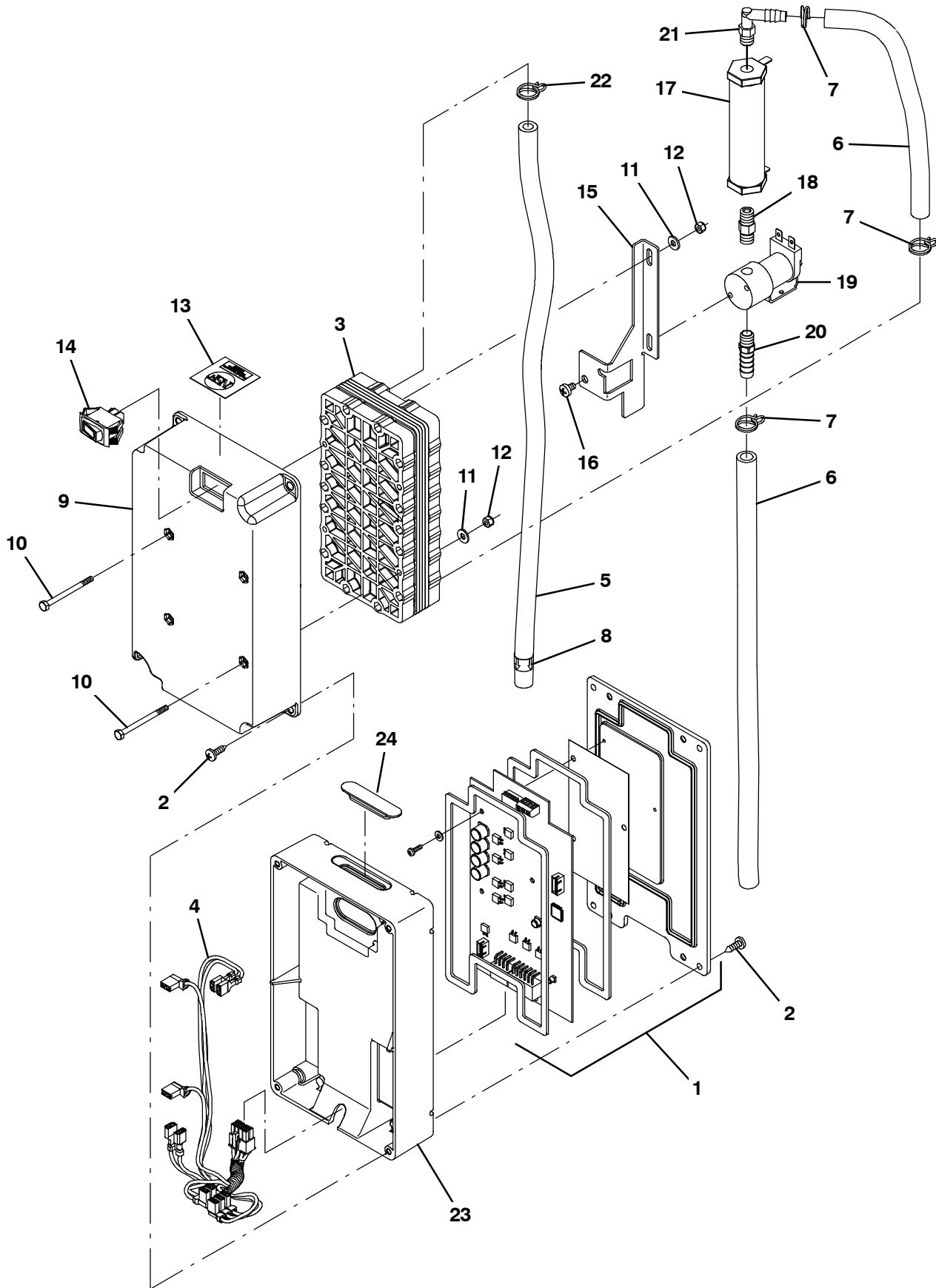
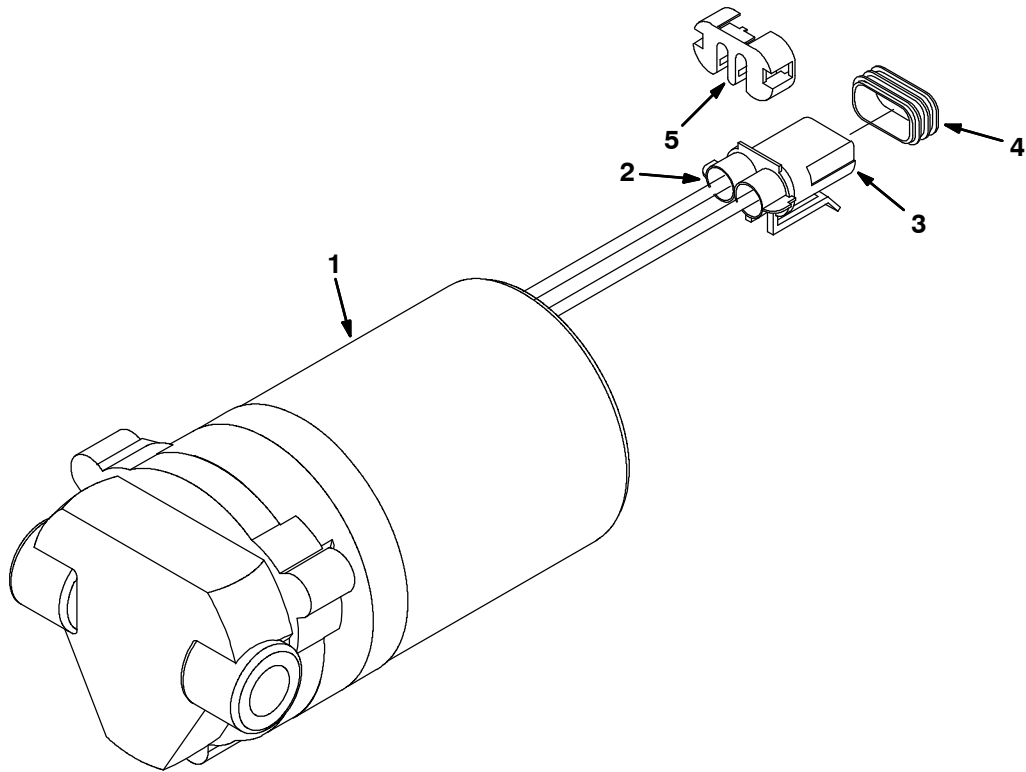


Fig. 13 - ec-H2O Module Assembly Breakdown, 9006270

Ref.	Part No.	Serial Number	Description	Qty.
▽	9006270	(000000-	) Module Kit, Replmt [Ec-H2o]	1
▲	1 9007969	(000000-	) Controller Kit, Replmt [ec-H2O]	1
▲	2 1018155	(000000-	) Screw, Pan, Phl, M5 X 0.80 X 16, Tcut,Ss	8
▲▽	9006325	(000000-	) Ec-H2o Kit, Module C, Plumbing	1
▲▲	3 1050767	(000000-	) Electrode, 5 Plate, High Flow	1
▲▲	4 1049489	(000000-	) Harness, Main,Controlboard[Ec-H2o 5cell]	1
▲▲	5 1014971	(000000-	) Hose, Afmkt, Pvc, Brd, 0.38id, 01ft, Clr	1
▲▲	6 9006268	(000000-	) Hose, Pvc, Brd, 0.31id 0.53od, 2ft, Clr	1
▲▲	7 1053464	(000000-	) Clamp, Hose, Wir, .56 - .56, Yel	3
▲▲	8 1049637	(000000-	) Label, Direction [Ec-H2o]	1
▲▲	9 1051519	(000000-	) Housing, Upper, Module, High Flow	1
▲▲	10 32509	(000000-	) Screw, Hex, M4 X 0.70 X 50, Ss	4
▲▲	11 41579	(000000-	) Washer, Flat, 08, Ss	4
▲▲	12 33932	(000000-	) Nut, Hex, Lock, M4 X 0.70, NI, Ss	4
▲▲	13 1046041	(000000-	) Label, Module [Nsf, Ec-H2o]	1
▲▲	14 1044393	(000000-	) Switch, Rocker, Spst, Mom	1
▲▲	15 1048741	(000000-	) Bracket, Valve, Large	1
▲▲	16 578856	(000000-	) Screw, Flt, Phl, 10-32 X 0.31	2
▲▲	17 1062006	(000000-	) Electrode, Cylindrical	1
▲▲	18 1045030	(000000-	) Fitting, Brs, Str, Pm02/Pm02	1
▲▲	19 1048643	(000000-	) Valve, Solenoid, 0.25" Orifice, 24vdc	1
▲▲	20 1005375	(000000-	) Fitting, Plstc, Str, Bm06/Pm02, Nyl	1
▲▲	21 1051268	(000000-	) Fitting, Plstc, E90, Bm05/Pm02, Nyl	1
▲▲	22 607775	(000000-	) Clamp, Hose, Wir, .63 - .66, Blk	1
▲	23 1037032	(000000-	) Housing, Bottom	1
▲	24 1050431	(000000-	) Grommet, Blind	1

**Fig. 14 - ec-H2O Solution Pump Breakdown, 1005866**

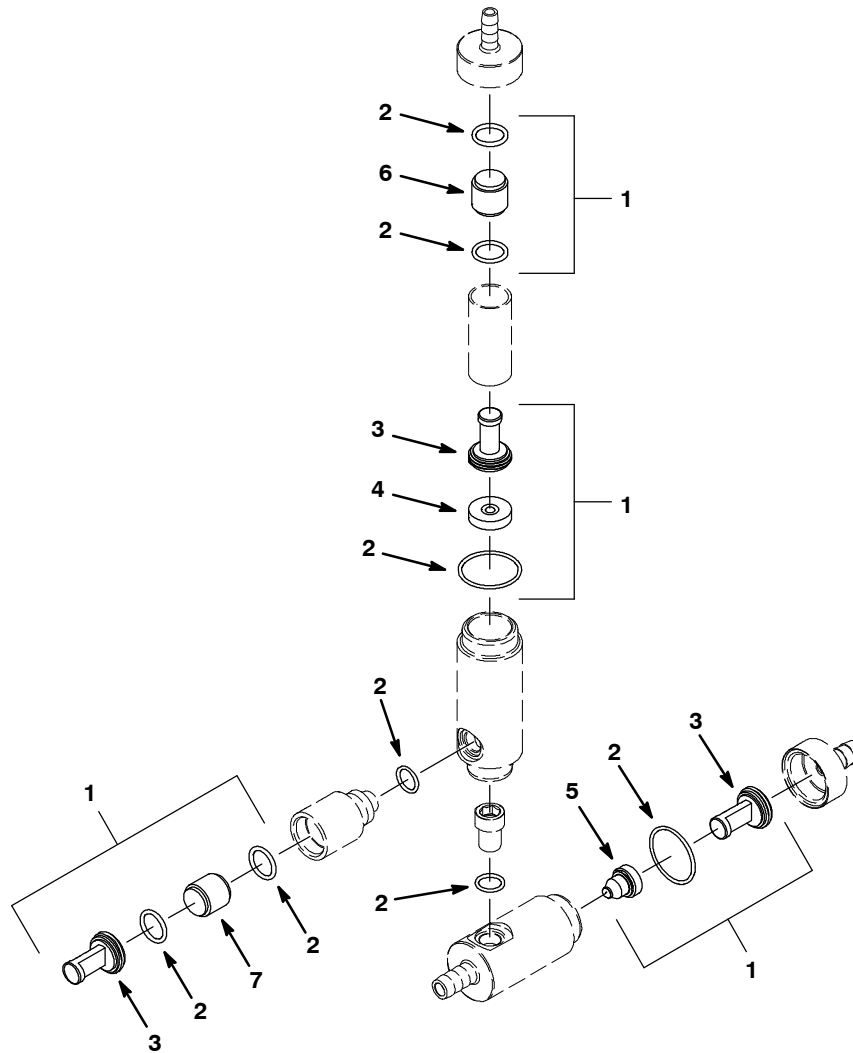


- ALL

Ref.	Part No.	Serial Number	Description	Qty.
∇	1005866	(000000-	) Pump, Soltn, Ele, 36vdc	1
▲	1 391433	(000000-	) Head Kit, Pump, Water, Repair	1
▲	2 78950	(000000-	) Connector, Fem, 2cav, Mp280 Sealed	1
▲	3 78951	(000000-	) Terminal, Fem, Mp280, Sealed, 18-16ga	1
▲	4 10917	(000000-	) Seal, Wire, 14/16ga [Wp / Mp280 Sealed]	1
▲	5 78952	(000000-	) Lock, Secondary, 2cav, Mp280 Sealed	1



Fig. 15 - FaST Injector Assembly Breakdown, 1050333



354649

Ref.	Part No.	Serial Number	Description	Qty.
▽	1050333	(000000-	) Injector Assy, High, .052 .010[FaST II+]	1
▲▽	1	9006119	) FaST Kit, Ci [Inj Rebl, 7300/8300]	1
▲▲	2	9003008	) Fast Kit, Ci, Injector Seals [Fast li+]	1
▲▲	3	9003009	) Fast Kit, Ci, Injector Filters[Fast li+]	1
▲▲	4	1050342	) Plate Assy, Orifice, 0.010ld, Purple	1
▲▲	5	1050336	) Plug, Orifice, 0.052, Ss [FaST II+]	1
▲▲	6	1030444	) Valve, Check, 0002psi [Fast li+]	1
▲▲	7	1030441	) Valve, Check, 0005psi [Fast li+]	1



# SECTION 5

**CONTENTS**

**PAGE**

PART NUMBER TO PAGE NUMBER CROSS REFERENCE LIST ..... 5-2  
PART DESCRIPTION TO PAGE NUMBER CROSS REFERENCE LIST ..... 5-12

# CROSS REFERENCE

## PART NUMBER TO PAGE NUMBER CROSS REFERENCE LIST

Part Number	Page Number	Part Number	Page Number	Part Number	Page Number
00500-10	2-17	01842	4-3	07792	2-63, 3-111, 3-113, 3-115, 3-117
00500-7	4-6	01856	4-3, 4-5	07805	3-143
00911	3-65, 3-83	01969	4-3	08085	3-73, 3-75, 3-91, 3-93
00912	2-17, 3-65, 3-83	01971	4-3, 4-5	08178	2-13, 2-65, 2-67, 2-69, 3-133, 3-135, 3-137, 3-139
00918	3-65, 3-83, 4-7	01982	4-3	08182	2-21, 2-47, 2-51, 2-57, 3-33, 3-41, 3-49, 3-55, 3-63, 3-71, 3-81
00928	4-8, 4-9, 4-10	01983	4-3	08236	2-9
01316	3-99	02076	2-23	08346	2-51, 3-49, 3-63, 3-81
01516	2-63	02129	3-143	08708	2-11, 2-15, 2-17, 2-21, 2-73, 2-75, 2-82, 3-13, 3-15
01683	2-21, 2-37, 2-39, 2-41, 2-43, 2-47, 2-71, 2-73, 2-75, 3-103, 3-105, 3-143	02430	4-12	08709	2-9, 2-11, 2-17, 2-21, 2-23, 2-25, 2-33, 2-39, 2-71, 2-77, 2-79, 3-27, 3-31, 3-39, 3-67, 3-69, 3-85, 3-87, 3-105
01684	2-5, 2-7, 2-9, 2-13, 2-39, 2-47, 2-57, 2-59, 2-61, 2-65, 2-67, 2-69, 2-77, 2-79, 3-31, 3-39, 3-55, 3-57, 3-61, 3-65, 3-67, 3-69, 3-71, 3-73, 3-75, 3-77, 3-79, 3-83, 3-85, 3-87, 3-89, 3-91, 3-93, 3-95, 3-97, 3-99, 3-111, 3-113, 3-115, 3-117, 3-127, 3-133, 3-135, 3-137, 3-139	02850	2-13, 2-33, 3-101, 3-129	08711	2-17, 2-27, 3-27, 3-31, 3-39, 3-49
01685	2-9, 2-13, 2-19, 2-25, 2-29, 2-41, 2-47, 2-49, 2-53, 2-55, 2-57, 2-59, 2-61, 2-65, 2-67, 2-69, 3-31, 3-35, 3-39, 3-43, 3-47, 3-49, 3-51, 3-53, 3-55, 3-57, 3-61, 3-67, 3-69, 3-71, 3-81, 3-85, 3-87, 3-89, 3-99, 3-101, 3-121, 3-127, 3-129, 3-133, 3-135, 3-137, 3-139, 3-143, 3-147, 3-149, 3-151, 3-153, 3-155	02931	2-63	08712	2-39, 2-51, 2-53, 2-55, 2-57, 2-59, 2-61, 2-65, 3-51, 3-53, 3-55, 3-57, 3-61, 3-67, 3-69, 3-71, 3-77, 3-79, 3-85, 3-87, 3-89, 3-95, 3-97, 3-99, 3-127, 3-143
01686	2-29, 2-41, 2-49, 2-51, 2-57, 2-59, 2-61, 2-63, 2-65, 3-16, 3-17, 3-19, 3-21, 3-35, 3-43, 3-47, 3-49, 3-55, 3-57, 3-61, 3-63, 3-65, 3-71, 3-73, 3-75, 3-81, 3-83, 3-89, 3-91, 3-93	02938	2-75	08713	2-25, 2-29, 2-47, 2-49, 2-59, 2-61, 2-65, 2-67, 2-69, 3-47, 3-49, 3-55, 3-57, 3-59, 3-61, 3-63, 3-81, 3-89, 3-101, 3-121, 3-127, 3-133, 3-135, 3-137, 3-139, 3-143, 3-145, 3-147, 3-149, 3-151, 3-153, 3-155
01692	3-73, 3-91	02942	3-31, 3-39, 3-65, 3-83	08714	2-49, 2-63, 2-65, 3-16, 3-17, 3-47, 3-49, 3-65, 3-81, 3-83
01713	2-9, 2-73, 2-75, 2-77, 2-79, 3-27, 3-35	03495	2-67, 2-69, 3-133, 3-135, 3-137, 3-139	08716	2-51, 2-57, 2-59, 2-61, 2-65, 3-31, 3-39, 3-55, 3-57, 3-61, 3-71, 3-77, 3-79, 3-89, 3-95, 3-97
01714	2-21	04373	3-33, 3-41	09007	2-15, 2-39, 3-99, 3-127
01715	2-73, 2-75, 2-77, 2-79, 3-27, 3-35	04414	2-67, 2-69, 3-133, 3-135, 3-137, 3-139	09010	2-13, 2-33, 2-49, 2-63, 2-65, 3-47, 3-49, 3-63, 3-81, 3-99, 3-127, 3-133, 3-135
01726	3-147, 3-149, 3-151, 3-153, 3-155, 3-157, 3-158, 3-159, 3-160, 3-161, 3-162, 3-163	04417	2-63, 2-65	09011	2-29, 3-101
01760	3-143	04733-10	2-65	09023	2-59, 2-61, 3-57, 3-61, 3-121, 3-143
01837	4-3, 4-5	04733-2	3-31, 3-39	09026	2-25
		04843	2-39, 2-47, 2-57, 3-55, 3-71, 3-89		
		05686	2-63		
		06279	2-47, 2-51, 2-65, 3-49, 3-55, 3-63, 3-81		
		06474A	2-21		
		06549	2-15, 2-37, 2-73, 2-75, 3-65, 3-83		
		06925	2-75		
		06931	2-21, 2-75		
		06942	2-31, 2-33, 2-37, 2-73, 2-75, 2-81, 3-27, 3-35		
		06943	2-9, 2-11, 2-25, 2-45, 3-13, 3-15		
		06944	2-21		
		06945	2-82		
		06946	2-17		
		06949	3-13, 3-15		
		06955	2-25		
		06960	3-27		
		06961	3-19, 3-21, 3-23		
		06963	2-21		
		06969	2-27, 3-49		
		06974	3-31, 3-39		
		07112	2-17, 3-27		
		07450	2-63, 2-65, 3-33, 3-41		
		07471	3-69, 3-87		
		07514	2-75, 2-77, 2-79, 3-27		
		07786	2-59, 2-61, 3-57, 3-61, 3-73, 3-75, 3-91, 3-93		
		07789	2-82, 3-105		
		07790	2-73, 2-75, 3-13, 3-15		
		07791	2-9, 3-5, 3-7, 3-9, 3-11, 3-31, 3-35, 3-39, 3-43		

# CROSS REFERENCE

Part Number	Page Number	Part Number	Page Number	Part Number	Page Number
09028	2-49, 3-16, 3-17, 3-19, 3-21, 3-35, 3-43, 3-47, 3-49, 3-81	1008211	2-33	1022558	3-141
09030	2-23	1008274	3-31	1022564	3-140
09088	2-27	1008275	3-39	1022565	3-140
09198	2-5, 2-7, 3-65, 3-83, 3-143	1010325	2-103	1023676	2-27
09206	2-33, 3-101	1010614	2-31	1023677	2-27
09228	3-129	1010655	2-31	1024009	2-33
09244	2-71, 2-82	1010658	2-31	1028580	2-82
09252	2-31	1010660	2-31	1028581	2-31, 2-37
09291	3-65, 3-83	1010661	2-31	1030441	4-19
09294	2-23	1010668	2-37, 3-69, 3-87	1030444	4-19
09480	3-31, 3-39	1010713	2-31	1031699	2-29, 2-43, 3-103, 3-121
09718	3-49, 3-63, 3-81	1010791	2-31, 2-33	1031700	3-111, 3-113, 3-115, 3-117
09738	3-65, 3-83	1010797	2-33	1034891	2-21
09739	2-43, 2-47, 3-63, 3-81, 3-103, 3-143	1010832	3-87	1035794	2-37
09740	2-9, 2-13, 2-41, 3-49, 3-81, 3-143, 3-145, 3-147, 3-149, 3-151, 3-153, 3-155	1010835	2-31	1036490	2-17
09741	2-67, 2-69, 3-73, 3-75, 3-91, 3-93, 3-133, 3-135, 3-137, 3-139	1010871	2-33	1037032	4-17
09744	3-73, 3-75, 3-79, 3-91, 3-93, 3-97, 3-111, 3-113, 3-115, 3-117	1011170	2-33	1037346	3-105
09767	2-67, 2-69, 3-133, 3-135, 3-137, 3-139	1011276	2-82, 2-83	1037822	2-2, 2-3, 2-41
09774	3-73, 3-75, 3-91, 3-93	1011403	2-31, 2-33, 2-35, 2-37, 2-55, 3-69, 3-87	1038159	4-17
1001062	3-65, 3-83	1011411	3-105	1039190	2-67, 2-69, 3-133, 3-135, 3-137, 3-139
1001099	2-51, 3-49, 3-63, 3-81	1011412	3-105	1039617	2-45
1002464	3-59, 3-79, 3-97	1011521	2-31, 2-37, 2-53, 3-53, 3-69, 3-87	1040295	2-17
1002789	2-35	1011835	2-35	1040467	3-105
1002898	2-33, 2-37	10120	2-27	1040868	3-107
1002899	2-33, 2-37	1012528	2-53, 2-55, 3-51, 3-53	1041822	3-107
1005026	2-3	1013857	2-31	1041884	3-165
1005086	2-35	1013866	2-33	1042499	2-7
1005133	3-59, 3-79, 3-97	1014056	2-33	1042504	2-7
1005135	3-59, 3-79, 3-97	1014082	2-33	1042513	2-21
1005255	2-33	1014971	4-17	1042514	2-21
1005302	2-35, 2-37, 3-105	1014976	3-105	1043866	3-105
1005304	2-35	1014986	2-33, 2-37	1044393	4-17
1005375	3-105, 4-17	1014987	2-33	1045030	4-17
1005416	2-82	1015045	2-55, 3-53, 3-69, 3-87	1045633	2-37
1005435	2-33, 2-37	1015048	3-53, 3-69, 3-87	1046041	4-17
1005508	2-31	1015096	2-103	1046173	3-105
1005552	2-35	1015097	3-69	10464	3-65, 3-83
1005866	2-31, 3-105, 4-18	1015558	2-53, 2-55, 3-51	1048643	4-17
1006400	2-37	1017015	2-33	1048741	4-17
1006401	3-53	1017022	2-33	1048932	2-19
1006447	2-31	1017255	3-105	1048955	2-19
1007107	3-143	1017288	2-103, 2-104	1049092	2-19
1007337	2-75	1017289	2-103	1049254	2-37
1007344	2-75	1017368	2-7	1049259	2-37
1007349	2-75	1017386	3-105	1049269	3-111, 3-113, 3-115, 3-117
1007353	2-75	1017413	2-35, 2-37, 2-55, 3-53, 3-69, 3-87, 3-105	1049489	4-17
1007486	3-49, 3-81	1017415	2-35, 2-37, 3-105	1049637	4-17
1007632	2-59, 3-57	1017441	3-31, 3-39	1050003	3-107
		1017802	3-31, 3-39	1050193	3-49, 3-63, 3-81
		1018155	4-17	1050195	2-51
		1018515	3-155	1050336	4-19
		1019285	2-41, 3-101	1050342	4-19
		1019344	3-140, 3-141	1050431	4-17
		1021219	4-17	1050664	3-108
		1021878	2-33, 2-37	1050767	4-17
		1022465	3-141	1050771	2-37

# CROSS REFERENCE

Part Number	Page Number	Part Number	Page Number	Part Number	Page Number
1050805	2-37	1056490	3-73, 3-91	1056877	3-133, 3-135
1051027	2-7	1056491	3-73, 3-91	1056878	3-149, 3-151, 3-153, 3-155
1051030	2-5	1056492	3-75, 3-93	1056883	3-145
1051268	4-17	1056493	3-75, 3-93	1056887	3-33, 3-41
1052017	3-105	1056494	3-63, 3-81	1056888	3-33, 3-41
1052588	2-104	1056495	3-75, 3-93	1056889	3-33, 3-41
1052683	3-105	1056496	2-9	1056890	3-33, 3-41
1052726	3-105	1056505	3-49, 3-81	1056891	3-31
1052755	3-107	1056516	3-49	1056892	3-39
1052832	3-105	1056517	3-49, 3-81	1056894	3-39
1053078	3-105	1056673	3-21	1056895	3-149, 3-155
1053464	4-17	1056674	3-21	1056896	3-149, 3-155
1053842	2-15	1056675	2-23	1056902	3-47
1054296	3-33, 3-41	1056681	3-49, 3-81	1056903	3-81
1054657	3-108	1056688	3-35	1056909	3-31, 3-39
1054776	3-105	1056786	2-9	1056910	3-33
1055254	3-105	1056787	3-153	1056911	3-31
1055255	3-105	1056788	3-153	1056914	2-17
1055336	3-105	1056793	3-129	1056915	3-143
1055883	3-107	1056796	3-117	1056916	3-143
1056331	3-107	1056799	3-113	1056917	2-17
1056382	2-29	1056800	3-91	1056919	2-47
1056383	2-9	1056805	3-135	1056923	3-101
1056386	2-13	1056806	3-135	1056924	3-101
1056387	2-9	1056807	3-135	1056927	3-147
1056388	2-13	1056809	2-9	1056928	2-39
1056389	2-65	1056838	3-65, 3-83	1056929	2-39
1056390	2-51, 3-49, 3-63, 3-81	1056839	3-99	1056937	2-25
1056396	3-43	1056841	3-47	1056940	3-143
1056397	3-35	1056842	2-47	1056941	2-45
1056398	3-43	1056843	3-71, 3-89	1056944	2-105, 3-107
1056399	3-35	1056844	2-57, 3-55	1056945	2-105
1056416	3-105	1056845	2-57, 3-55, 3-71, 3-89	1056947	2-105
1056432	2-11	1056846	3-65, 3-83	1057066	2-51, 3-49, 3-63
1056433	2-13	1056847	3-65, 3-83	1057068	2-39
1056434	2-13	1056848	3-63	1057069	3-7
1056464	3-7, 3-11	1056849	2-29, 2-41	1057073	3-49, 3-81
1056465	2-9	1056850	2-39	1057089	3-65, 3-83
1056466	2-69, 3-135, 3-139	1056851	2-17	10575	3-99
1056467	2-63	1056852	2-17	1057512	3-65
1056468	2-63	1056853	3-27	1057520	3-79, 3-97
1056471	2-69, 3-139	1056854	3-27	1057521	3-79, 3-97
1056472	2-13	1056855	2-19	1057526	3-77, 3-79
1056473	3-17	1056856	2-67, 2-69, 3-137, 3-139	1057527	3-95, 3-97
1056474	3-17	1056857	2-41	1057530	3-87
1056475	2-13	1056859	2-27	1057531	3-69
1056476	3-21	1056860	2-25	1057644	3-143
1056477	2-81	1056861	2-27	1059037	2-105
1056478	2-81	1056862	2-49	10632-12	3-5, 3-7, 3-9, 3-11, 3-13, 3-15
1056479	2-13	1056863	2-59, 2-61, 3-57, 3-61	10632-13	2-15, 2-25
1056480	3-15	1056864	3-99, 3-127	10632-14	2-71
1056481	2-39	1056865	3-127	10632-17	2-71
1056482	2-65	1056866	3-99	10632-19	2-33
1056483	2-11	1056867	3-121	10632	2-21
1056484	2-11	1056868	2-41	10912	2-45
1056485	3-27, 3-35	1056872	3-121	10917	4-11, 4-18
1056486	2-71	1056873	3-67, 3-69, 3-85, 3-87	10925	4-3, 4-5, 4-7, 4-8, 4-9, 4-10
1056487	2-11	1056874	3-73		
1056488	2-75	1056875	3-73, 3-75, 3-91, 3-93		
1056489	2-75				

# CROSS REFERENCE

Part Number	Page Number	Part Number	Page Number	Part Number	Page Number
10926	4-3, 4-5	16370	2-17	222277	2-57, 3-55, 3-71, 3-89
11329	3-27	16695	4-14	222290	2-15, 2-75, 2-103, 2-104, 3-107
11398	3-31, 3-39	16735	2-9, 2-17, 2-23, 2-37, 2-39, 3-105	222460	2-25
11399	2-3, 2-29, 2-53, 3-59, 3-67, 3-69, 3-79, 3-85, 3-87, 3-97	16816	2-63	222497	2-67, 2-69, 3-133, 3-135, 3-137, 3-139
11756	4-3	16879	2-15	222505	2-57, 3-55, 3-71, 3-89
12273	2-29, 2-41, 2-53, 2-55, 3-51, 3-53, 3-129	16914	2-53, 2-55, 3-51, 3-67, 3-85	222534	2-15
12274	2-75	16931	2-9, 2-11, 2-17, 2-23, 2-33, 2-71, 2-77, 2-79, 3-27, 3-33, 3-41	222556	2-57, 3-55, 3-71, 3-89
12309	2-67, 2-69, 3-133, 3-135, 3-137, 3-139	16949	3-73, 3-75, 3-91, 3-93	222606	4-10
12312	2-37, 2-73, 2-75, 2-83, 3-105	17188	3-105	222617	4-10
12316	2-43, 2-47, 3-103	17260	2-5	222618	4-10
12317	2-63, 2-65, 3-65, 3-83	17261	2-5	222788	3-79, 3-97
12323	3-121	17262	2-5	222822	2-41, 3-101
12333	2-59, 2-61, 3-57, 3-61	17263	2-5	22297	2-45
12459	2-9, 2-47	17363	2-45, 4-3	223044	2-2, 2-9
12540	2-23	17404	2-59, 2-61, 3-57, 3-61, 3-73, 3-75, 3-91, 3-93	223054	2-65
13248	2-19, 2-45, 2-47, 3-63, 3-81	18627	4-3	223061	2-17
13292	2-41, 2-45, 3-101	18628	4-3, 4-5	223073	2-17
13513	2-21	18630	4-3	223078	2-19
14150	2-23	19064	2-33, 3-129, 3-131	223090	2-21
14242	2-27	19066	2-15, 2-31, 2-73, 2-75, 2-77, 2-79, 2-83, 3-5, 3-7, 3-13, 3-15, 3-27, 3-35	223094	2-21
14271	2-17	19312	2-73, 2-75	223239	2-21
14296	2-23	19314	2-73	223264	2-2, 2-3, 2-45, 4-3, 4-5
14432	3-79, 3-97	19320	2-71	223320	2-21
14455	2-47	19903	3-111, 3-113, 3-115, 3-117	223470	3-35, 3-43
14523	2-51	20806	2-65	223499	2-29
14524	2-51, 3-49, 3-63, 3-81	20807	3-51	223515	3-51
14555	2-63	20810	2-29	223528	2-29
14601	2-21	20833	2-2, 2-3, 2-63	223595	3-25
14725	2-57, 3-55, 3-71, 3-89	20932	3-111, 3-113, 3-115, 3-117	223600	2-21
14838	2-5, 2-7	20944	3-121	223601	2-21
14864	2-43, 3-103	20950	3-121	223699	2-53
14877	3-99, 3-101	20951	3-121	22655	4-14
14880	2-43, 3-103	20952	3-121	22658	4-14
14953	2-5	21601	2-67, 2-69, 3-133, 3-135, 3-137, 3-139	22661	4-14
14967	2-5	21602	2-67, 2-69, 3-133, 3-135, 3-137, 3-139	23456	2-29, 3-111, 3-113, 3-115, 3-117
150016	3-105	21603	2-67, 2-69, 3-133, 3-135, 3-137, 3-139	24105	3-99
150208	3-125	21606	2-67, 2-69, 3-133, 3-135, 3-137, 3-139	24198	3-63, 3-81
15023	2-49, 3-47, 3-63, 3-81	21659	4-12	24199	3-143
150511	3-105	21661	4-12	24254	2-51, 3-49
150525	2-33	21765	4-3	24299	2-5, 2-7
150540	2-37	21800	4-7	24358	2-43, 3-103, 3-121
150709	2-37	21935	4-15	24537	4-7, 4-8, 4-9, 4-10
150713	2-37	21958	4-14	24543	3-101
15539	2-5, 2-7	222117	3-129	24544	2-29, 3-99
15648	2-47, 3-33, 3-41	222159	2-21	24555	2-67, 2-69, 3-133, 3-135, 3-137, 3-139
15675	2-19, 2-41, 2-45, 3-67, 3-69, 3-85, 3-87, 3-99	222196	3-33, 3-41	24698	3-105
15678	2-53, 2-55, 3-51, 3-53, 3-65, 3-67, 3-69, 3-83, 3-85, 3-87, 3-99			24929	2-31
15840	2-81			25014	3-33, 3-41
15846	2-77			25312	3-164
16356	2-53			25537	2-19
16367	2-17			25538	3-35
				25620	2-33
				25735	2-59, 2-61, 3-57, 3-61, 3-73, 3-75, 3-91, 3-93
				26156	2-39
				26315	2-27

# CROSS REFERENCE

Part Number	Page Number	Part Number	Page Number	Part Number	Page Number
26395-1	2-47	330612	3-165	365252	2-9
26395-2	3-5, 3-7, 3-13, 3-15	330613	3-165	369415	3-143
26426	3-105	330615	3-165	369702	2-9
26428	3-65, 3-83	33295	3-99	369766	2-41, 3-101
27880	2-39	33807	3-99	369795	3-31, 3-39
27928	2-15	33925	3-73, 3-75, 3-91, 3-93	369796	3-31, 3-39
27980	2-59, 3-57	33930	2-57, 2-77, 2-79, 3-55, 3-71, 3-89	369865	3-99
28622	3-13	33932	3-65, 3-83, 3-121, 3-143, 4-17	370080	2-5
29557	2-51, 3-49, 3-63, 3-81	33948	2-65	370090	2-5
29558	2-59	34195	2-49, 3-47	370092	2-7
29568	3-57	35996	2-17	370094	2-5
29584	2-57, 3-55, 3-71, 3-89	360352	3-105	370095	2-7
30013	2-17	360357	3-31, 3-39	370100	2-67, 2-69, 3-133, 3-135, 3-137, 3-139
30241	2-7	360369	2-19	370156	2-75
30533	3-23	360370	2-19	370923	4-11
31647	2-77, 2-79	360518	2-9	371905	3-111, 3-113, 3-115, 3-117
32124	2-49, 3-47	360520	2-15, 3-5, 3-7, 3-9, 3-11	373343	4-14
32483	2-11, 2-15, 2-45, 2-73, 2-75, 2-77, 2-81, 3-13, 3-15, 3-27, 3-35, 3-59, 3-79, 3-97	360801	2-13, 2-37, 2-41, 3-31, 3-39	373344	4-14
32485	2-21, 3-33, 3-41	360943	3-5, 3-7, 3-13, 3-15, 3-101, 3-131	373422	4-14
32486	2-21, 2-27, 3-13, 3-15, 3-27, 3-31, 3-33, 3-39, 3-41, 3-49	360973	3-164	373423	4-14
32490	2-21, 2-25, 2-31, 2-33, 2-53, 2-55, 2-73, 2-75, 2-77, 2-79, 3-51, 3-53, 3-105	360980	2-23	373424	3-27
32491	2-9, 2-11, 2-17, 2-23, 2-33, 2-37, 2-39, 2-71, 2-75, 3-25, 3-27, 3-31, 3-33, 3-39, 3-41, 3-49, 3-81	361076	2-15	373495	3-27, 4-15
32492	2-65, 3-19, 3-21, 3-31, 3-33, 3-39, 3-69, 3-87, 3-111, 3-113, 3-115, 3-117	361144	2-15	373496	3-27
32493	2-17, 2-47, 3-23, 3-55, 3-63, 3-81	361339	2-9, 3-59, 3-79, 3-97	373567	4-15
32501	2-43, 3-103	361973	4-6	373568	4-15
32508	2-43, 3-103	363087	3-33, 3-41	373569	4-15
32509	4-17	363113	3-49, 3-63, 3-81	373570	4-15
32613	2-43, 3-103	363120	2-57, 3-55, 3-71, 3-89	373571	4-15
32614	2-43, 3-103	363151	2-65	373572	4-15
32669	2-43, 3-103	363152	2-57, 3-71	374005	4-9, 4-10
32716	2-63, 3-133, 3-135	363162	3-133, 3-135	374204	2-81
32746	2-5, 2-7	363236	2-57	374250	3-49, 3-81
32815	2-77, 2-79	363237	2-57, 3-71, 3-89	375301	3-65, 3-83
32969	2-27	363238	3-55	375302	2-41, 3-101
32980	2-9, 2-21, 2-73, 2-75, 3-13, 3-15, 3-35	363301	3-133, 3-135	375308	3-101
32981	2-21	363385	2-23	375322	3-99
32982	2-73, 2-75, 2-77	363453	2-39	375411	2-19
32983	2-19, 3-25	363468	3-65, 3-83	375426	3-101
32984	2-33, 2-73, 2-75, 2-77, 2-79, 3-27, 3-35	363491	4-6	375427	3-101
32988	2-77, 2-79	364085	2-9	375429	2-41
330610	3-165	364404	2-57, 3-55, 3-71, 3-89	375431	2-29, 3-119
330611	3-165	364614	2-51, 2-63, 3-133, 3-135	37555	4-14
		364631	2-53, 2-55, 3-51, 3-53	377084	2-82, 2-83, 3-107
		364669	3-121	377341	3-143
		364858	2-57, 3-55, 3-71, 3-89	377349	2-43
		364895	3-67, 3-85	377364	2-49, 3-47
		364896	3-67, 3-85	377398	3-65, 3-83
		364899	3-67, 3-85	378951	2-5
		365032	3-9, 3-11	378983	4-3
		365093	2-29	37909	4-3
		365096	2-29	37912	4-3, 4-5
		365156	2-49, 3-47, 3-63, 3-81	379217	2-25
		365164	2-53, 2-55	37926	4-3
		365180	2-51, 3-49, 3-63, 3-81	37929	4-3, 4-5
				381867	3-28
				382452	3-121
				382991	3-101
				383720	2-83



# CROSS REFERENCE

Part Number	Page Number	Part Number	Page Number	Part Number	Page Number
383721	2-71, 2-82	386224	2-29	386378	2-27
383722	2-71, 3-5, 3-7, 3-9, 3-11, 3-35	386229	2-25	386387	2-2, 2-49
383723	2-71	386230	2-5	386388	2-2, 2-49
383724	2-71	386231	2-7	386391	2-59, 2-61, 3-57, 3-61
383725	2-71	386234	2-67, 3-133, 3-137	386413	2-13
383727	2-71	386240	2-5	386415	3-16
383728	2-71	386241	2-7	386416	3-16
385666	3-99	386250	2-5	386417	3-16
385682	3-51	386251	2-7	386419	2-29
385685	2-41, 3-101	386252	2-63	386420	2-29
385726	2-21	386256	2-63	386421	2-29
385750	2-41	386257	3-65, 3-83	386423	2-43, 3-103
386020	2-2	386260	2-2, 2-3, 2-59, 2-61, 3-57, 3-61, 3-73, 3-75, 3-91, 3-93	386424	2-41
386021	2-2	386262	2-61, 3-61, 3-75, 3-93	386425	2-41
386022	2-3	386263	2-59, 3-57, 3-73, 3-91	386432	3-121
386023	2-3	386264	2-67, 2-69, 3-133, 3-135, 3-137, 3-139	386433	2-13
386049	2-47	386266	2-67, 3-137	386437	2-13
386050	3-65, 3-83, 4-7	386267	2-2, 2-3, 2-41	386444	2-41
386053	2-2, 2-3, 3-65, 3-83	386268	3-73, 3-91	386445	2-41
386058	3-65, 3-83	386269	3-73, 3-91	386447	2-17
386063	3-65, 3-83	386274	3-65, 3-83	386450	2-9
386066	3-65, 3-83	386275	3-75, 3-93	386458	2-23
386070	3-63, 3-81	386276	3-75, 3-93	386459	2-23
386071	3-63, 3-81	386279	2-65	386461	2-13
386072	3-65, 3-83	386282	3-79	386480	2-9
386080	3-65, 3-83	386283	2-2, 2-3, 2-67, 2-69, 3-137, 3-139	386482	3-121
386081	3-63, 3-81	386284	2-2, 2-3, 2-67, 2-69, 3-137, 3-139	386496	3-75, 3-93
386088	2-59, 2-61, 3-57, 3-61, 3-73, 3-75, 3-91, 3-93	386285	2-3, 2-67, 2-69, 3-137, 3-139	386500	3-79, 3-97
386108	2-41	386286	2-3, 2-67, 2-69, 3-137, 3-139	386504	3-79, 3-97
386116	2-39	386298	2-67, 2-69, 3-133, 3-135, 3-137, 3-139	386513	3-97
386120	2-11	386299	2-67, 2-69, 3-137, 3-139	386514	2-3, 3-59, 3-79, 3-97
386124	2-11	386302	2-73, 2-75	386518	3-59, 3-79, 3-97
386127	2-71	386307	3-35	386558	2-23
386128	2-71	386308	3-35	386563	2-71, 2-81
386129	2-15	386311	2-15	386564	2-71, 2-81
386130	2-105	386320	2-29	386573	3-151
386140	2-17	386321	2-45	386574	3-151
386143	2-17	386323	2-2, 2-3, 2-45	386600	2-102
386149	2-17	386324	2-29	386605	3-9, 3-11
386150	2-17	386325	2-41	386606	3-13, 3-15
386152	2-17	386326	2-3	386607	3-143
386154	2-17	386334	3-151, 3-153	386608	3-129
386157	2-9	386335	3-149	386609	3-5, 3-7
386159	2-9	386338	3-162	386610	2-77, 2-79
386160	2-29, 2-41	386344	3-163	386634	2-13
386162	2-29	386346	2-15	386642	3-19
386163	3-121	386349	2-45	386643	2-29
386200	2-9	386351	2-39	386652	3-101
386201	2-13	386356	2-59, 2-61, 3-57, 3-61	386658	3-33, 3-41
386202	2-13	386364	3-121, 4-12	386663	3-31, 3-39
386209	3-27	386367	2-27	386664	3-31, 3-39
386214	3-27			386666	3-31, 3-39
386215	3-27			386679	2-49, 4-8
386216	3-27			386687	2-49, 3-47, 4-10
386217	2-17			386701	3-27
38622	3-13, 3-15			386702	3-27
386222	2-29			386703	3-27, 4-14
386223	2-2, 2-3, 2-41			386704	3-27, 4-13
				386711	3-28
				386761	2-13

# CROSS REFERENCE

Part Number	Page Number	Part Number	Page Number	Part Number	Page Number
386785	2-41	387033	2-11	387431	3-133, 3-135
386804	2-77, 2-79	387035	2-23	387432	2-65
386806	3-35	387043	3-143	387433	2-67, 2-69, 3-133, 3-135, 3-137, 3-139
386807	2-73, 2-75	387045	3-101	387435	3-133
386808	2-15	387049	3-121	387436	3-133, 3-135
386809	2-15	387050	3-129	387438	2-67, 2-69, 3-133, 3-135, 3-137, 3-139
386810	2-73, 2-75, 3-27, 3-35	387061	2-29, 3-101	387441	3-143
386825	2-2, 3-47	387080	3-49, 3-81	387446	3-133
386826	2-2, 3-47	387109	3-101	387447	3-133
386827	3-49, 3-81	387126	3-115	387448	2-67, 2-69, 3-137, 3-139
386833	2-2, 2-3, 3-133, 3-135	387127	3-111	387450	2-11
386834	2-2, 2-3, 3-133, 3-135	387151	3-33, 3-41	387451	2-11
386835	3-133, 3-135	387157	3-5	387452	3-27, 3-35
386836	3-133, 3-135	387158	3-13	387453	2-71
386841	3-65, 3-83	387159	3-101	387457	3-164
386842	3-65, 3-83	387160	3-101	387460	2-11
386844	3-63, 3-81	387161	3-101	387467	3-103
386847	2-65, 3-133, 3-135	387162	3-49	387483	3-115
386860	2-67, 3-137	387201	2-43	387494	3-165
386861	3-133	387208	3-13	387499	2-45
386865	3-63, 3-81	387213	3-111	387500	2-67, 2-69, 3-133, 3-135, 3-137, 3-139
386868	3-73, 3-75, 3-91, 3-93	387221	3-111, 3-113	387506	2-3
386875	3-19	387230	3-49	387509	3-59
386876	3-49, 3-81	387236	3-101	387516	3-59
386909	3-41	387237	2-67, 2-69, 3-133, 3-135, 3-137, 3-139	387517	2-3, 3-59, 3-79, 3-97
386915	2-25	387245	3-49, 3-81	387525	2-105
386920	2-81	387250	4-7	387529	2-81
386921	2-81	387251	4-7	387530	3-43
386922	2-81	387256	2-3, 3-59, 3-79, 3-97	387531	3-35
386923	2-9	387257	2-67, 2-69, 3-137, 3-139	387536	3-35
386924	2-15	387258	3-133, 3-135	387545	2-3, 3-59
386932	3-149	387262	3-131	387546	2-3, 3-59
386934	3-151	387266	3-101	387560	3-43, 3-45
386936	3-155	387271	3-91	387562	3-35
386958	3-23	387294	2-2, 2-49	387577	3-31
386961	2-47	387300	3-9	387585	2-49, 4-9
386963	3-25	387302	2-102	387587	4-9
386968	3-143	387321	3-127, 4-11	387588	4-9
386973	2-13	387322	3-147	387589	4-9
386975	2-17	387324	3-147	387590	4-9
386976	2-17	387340	3-99	387592	4-9
386983	3-19	387344	3-13	387593	2-41
386984	3-19	387346	2-23	387594	2-29
386985	2-47	387348	2-13	387597	4-13
386986	2-59, 2-61, 3-57, 3-59, 3-61, 3-73, 3-75, 3-91, 3-93	387371	4-8	387598	4-13
386987	2-59, 2-61, 3-57, 3-59, 3-61, 3-73, 3-75, 3-91, 3-93	387372	4-8	387599	4-13
386988	2-47	387373	4-8	387600	4-13
386993	2-13	387374	4-8	387601	4-13
386995	2-13	387392	2-21	387602	4-13
387000	3-145	387393	3-27	387603	4-13
387003	3-119	387405	3-35, 3-43	387604	4-13
387014	2-2, 2-27	387422	3-129	387605	4-13
387021	2-11	387424	2-102	387606	4-13
387023	2-2, 2-3	387425	2-39	387607	4-13
387027	3-143	387426	2-65	387608	4-13
387032	2-105	387429	2-65, 3-133, 3-135	387609	4-13
		387430	2-65, 3-133, 3-135		

# CROSS REFERENCE

Part Number	Page Number	Part Number	Page Number	Part Number	Page Number
387610	4-13	398513	4-5	48610	2-55, 3-53, 3-69, 3-87, 3-127
387615	2-41	398514	4-5	48732	3-65, 3-83
387622	3-156	398515	4-5	48733	3-111, 3-113, 3-115, 3-117
387634	2-11	398516	4-5	48734	3-111, 3-113, 3-115, 3-117
387636	2-71	398517	4-5	48753	4-6
387637	2-71	398518	4-5	48754	4-6
387639	2-75	398519	4-5	48755	4-6
387640	2-71	398520	2-45, 4-5	48756	4-6
387641	2-79	398526	2-82, 2-83, 3-13, 3-15	48757	4-6
387648	2-75	398802	3-59	48758	4-6
387654	2-9	40566	2-53, 2-55, 3-51, 3-53, 3-67, 3-69, 3-85, 3-87	49142	3-51
387659	2-23	40607	2-45	49177	2-19
387660	2-2, 2-23	40678-1	2-53, 2-55, 3-105	49263	2-49, 3-47
387671	3-77	40814	2-51, 3-49, 3-63, 3-81	49266	2-19, 2-53, 2-55, 3-5, 3-7, 3-13, 3-35, 3-43, 3-51, 3-53, 3-101, 3-129
387672	3-95	41186	2-49, 3-47	49697	2-13
387683	2-29	41187	2-23	49740	2-29
387685	2-41	41305	3-73, 3-75, 3-91, 3-93	49745	2-29
387700	2-21	41315	3-67, 3-85	49800	2-13
387976	2-49	41341	3-33, 3-41	49826	2-11, 3-69, 3-87, 3-101
39005	2-25, 2-27, 2-51, 2-57, 2-65, 3-31, 3-33, 3-39, 3-41, 3-49, 3-55, 3-63, 3-71, 3-81, 3-89	41342	3-27, 3-35	49914	3-33, 3-41
390879	3-33	41345	2-23	50388	2-17
390880	2-63	41359	2-77	51109	2-25
391433	4-18	41367	4-7	51225	2-47
391451	2-29	41368	4-7, 4-8	51338	2-27
391954	2-15	41371	4-7, 4-8	51339	2-27
39277	3-5, 3-7, 3-9, 3-11, 3-31, 3-39	41401	3-35	51414	2-9
39278	3-49, 3-81	41410	3-99	51528	3-33, 3-41
39283	3-31, 3-39	41421	2-43, 3-103	51534	2-65
39284	2-21, 3-111, 3-113, 3-115, 3-117	41430	2-21, 3-19, 3-21, 3-23, 3-35, 3-43	53268	2-31
39285	2-17	41451	2-43, 3-103	53466	2-33
39308	2-21, 2-57, 3-55, 3-71, 3-89	41454	2-43, 3-103	53782	2-65, 3-133, 3-135
39311	2-77, 2-79	41579	2-5, 2-7, 3-121, 4-17	54333	2-31, 2-33, 2-35, 2-37, 2-53, 2-55, 3-51, 3-53, 3-69, 3-87, 3-105, 3-127
39312	2-21	41619	2-47, 2-67, 2-69, 3-133, 3-135, 3-137, 3-139	54390	2-27
39323	3-65, 3-83	41702	2-73, 2-75	54577	2-27
39338	2-17	42011	2-39	54743	2-13
39348	2-77, 2-79	42133A	2-29	55248	3-35, 3-43
39349	2-25, 2-73, 2-75, 3-5, 3-7, 3-9, 3-11, 3-27, 3-35, 3-143	43290	2-47	55685	3-27
39350	2-9	43454	3-107	56185	3-27
39717	2-21	43500	2-65	56398	3-27
397916	2-7	43555	2-31	56690	3-27
397920	2-5	43844	3-105, 3-121	56820	3-27
397976	2-7	43957	2-23	57248	2-37
39807	3-13, 3-15	44078	2-15	57379	2-29
398281	3-157	44681-1	3-5, 3-7, 3-9, 3-11	57598	3-31, 3-39
398283	3-158	44681-2	3-5, 3-7, 3-9, 3-11	578060000	3-125
398285	3-159	44681	3-5, 3-7, 3-9, 3-11	578061000	3-125
398288	3-160	44961	2-53, 2-55, 3-51, 3-53	578063000	3-125
398292	3-161	45272	3-5, 3-9	578064000	3-125
398468	2-31	45283	3-5, 3-7, 3-9, 3-11	578066000	3-125
398501	3-99	45391	3-13, 3-15	578071000	3-123
398511	4-5	45595	3-35	578072000	3-123
398512	4-5	45628	4-14		
		46390	3-65, 3-83		
		46563	2-25		
		48609	3-123, 3-131		

# CROSS REFERENCE

Part Number	Page Number	Part Number	Page Number	Part Number	Page Number
578074000	3-125	63987-1	2-53, 2-55, 3-51, 3-53	73468	3-99
578077000	3-125	64425	2-59, 2-61, 2-65, 3-57, 3-61, 3-73, 3-75, 3-91, 3-93	73474	2-53, 2-55, 3-51, 3-67, 3-85
578078000	3-125			73475	3-99
578091000	3-125	64489	3-33, 3-41	74114	4-15
578094000	3-125	64533	2-11	74142	3-27
578123000	3-125	64743	2-35, 2-37, 3-105	74196	4-15
578124000	3-125	64778	2-35, 2-37, 3-69, 3-87, 3-105	74231	4-15
578125000	3-125			74232	4-15
578126000	3-125	65340	3-125	74243	4-15
578143000	3-125	65341	3-123	74244	4-15
578154000	3-125	65342	3-127	74245	4-15
578155000	3-125	65580	3-129, 3-131	74440	2-17
578160000	3-123	65581	3-127	74455	2-21, 3-111, 3-113, 3-115, 3-117
578161000	3-125	65582	3-125		
578164000	3-125	65610	3-125	75611	2-29, 2-43, 3-99
578214000	3-125	65665	2-15	75635	3-111, 3-113, 3-115, 3-117
578228000	3-125	65667	4-11		
578276000	3-123	65668	4-11	75939	3-35
578318000	3-123	65670	4-11	76062	2-73, 2-75
578439	3-125	65671	4-11	763504	4-14
578820000	3-123	65672	4-11	763508	4-14
578821000	3-125	65673	4-11	76570	2-11, 2-17, 3-105
578856	4-17	65674	4-11	76653	2-59, 2-61, 3-57, 3-61
579112	3-125	65675	4-11	77227	2-63
57984	3-27	65676	4-11	77228	2-63
58494	2-57, 3-55, 3-71, 3-89	65677	4-11	77270	3-55, 3-89
59009	2-25	65678	4-11	77272	2-63
59661	3-75, 3-93	66211	2-2, 2-27	77275	3-63, 3-81
59940	2-17	66213	2-2, 2-3, 2-27	77276	3-63, 3-81
60189	4-7	67004	3-101, 3-129, 3-131	77277	3-63, 3-81
60198	2-23, 4-6	67683	3-27	77334	3-51, 3-53
602036000	3-125	67767	2-9, 2-57, 3-51, 3-53, 3-55, 3-71, 3-89	77347	2-29, 2-41
60278	2-102			77488	2-65
603103000	2-81	69234	3-67, 3-69, 3-85, 3-87, 3-101	78122	3-127
60386	4-3, 4-5			78398	3-69, 3-87, 3-99
607775	4-17	69582	2-25	78553	2-15
61297	4-3, 4-5	69785	2-29	78740	2-29
61298	4-3	70158	2-27	78842	2-29
61300	4-3, 4-5	70161	2-27	78950	4-11, 4-18
61301	4-3	70709	3-27	78951	4-11, 4-18
613735	2-33	70756	3-73, 3-91	78952	4-18
61791	2-23	71026	2-73	78979	2-63
621478	3-65, 3-83	71100	2-65, 3-133, 3-135	79217	2-63
630164	3-105	71101	2-2, 2-3, 2-65	79273-1	2-35, 2-37, 3-105, 3-127
63147	2-57, 3-71	71529	2-77		
63184	3-127	71607	2-59, 2-61, 3-57, 3-61, 3-73, 3-75, 3-91, 3-93	79273-2	2-29, 3-99
63244-1	3-99			79273-4	2-53, 2-55, 3-51, 3-69, 3-87
63244-2	3-51, 3-99	71658	2-65		
63248-1	2-7	72164	3-13, 3-15	79320	2-2, 2-3, 2-43, 3-103
63248-2	2-7	72171	3-13, 3-15	79350	2-39
63248-3	2-7	72172	3-13, 3-15	79497	3-99
63248-4	2-7	72174	3-13, 3-15	79572	3-69, 3-87
63416	2-29, 3-101	72439	3-73, 3-91	80127	3-31, 3-39
63430	3-131	72946	2-51, 3-49, 3-55, 3-63, 3-81	80491	2-59, 2-61, 3-57, 3-61
63448	3-131			81771	3-83
63451	3-131	72950	3-51	81919	3-31, 3-39
63740	2-79	72968	2-49, 3-47, 3-129, 3-131	81952	2-63
63810	2-53, 2-55, 3-51, 3-53, 3-99, 3-101			82829	2-13, 3-105
63923	4-12	73467	3-121	82839	2-21

<b>Part Number</b>	<b>Page Number</b>	<b>Part Number</b>	<b>Page Number</b>
83052	3-65, 3-83	9006935	3-21
83733	2-27	9006938	3-153
83874	2-67, 2-69, 3-133, 3-135, 3-137, 3-139	9006940	3-113
84028	2-53, 2-55, 3-51, 3-53, 3-67, 3-69, 3-85, 3-87	9006947	3-15
84057	3-127	9006948	3-11
84593	2-63	9006949	3-7
86375	2-73	9006951	2-23
86393	2-77	9006959	3-117
86508	3-99	9006966	2-41
86636	2-29, 3-121	9006967	2-29
86759	2-59, 2-61, 3-57, 3-59, 3-61, 3-73, 3-75, 3-91, 3-93	9006972	2-29
86767	3-131	9006974	2-41
86824	3-51		
86860	2-25, 3-31, 3-39		
86866	2-59, 2-61, 3-57, 3-59, 3-61		
87172	3-31, 3-37, 3-39		
87173	3-105		
87244	3-79, 3-97		
87346	2-9		
87349	2-73, 2-75		
87355	2-23		
87419	2-5, 2-7		
87482	2-73		
87483	2-73, 2-77		
87507	2-73		
87709	3-5, 3-7, 3-9, 3-11		
87725	2-21		
87750	2-23		
87816	2-59, 2-61, 3-57, 3-61, 3-73, 3-75, 3-91, 3-93		
87839	2-23		
87840	2-23		
87841	2-23		
87849	2-23		
87948	2-9		
87949	2-9		
9001397	3-140		
9001398	3-141		
9002022	2-37		
9003008	4-19		
9003009	4-19		
9006106	3-109		
9006107	3-109		
9006108	3-109		
9006118	2-37, 4-19		
9006119	4-19		
9006159	4-17		
9006257	3-165		
9006268	4-17		
9006270	3-105, 4-17		
9006325	4-17		
9006924	3-49, 3-81		
9006925	3-17		
9006930	2-69, 3-139		
9006931	3-135		

**PART DESCRIPTION TO PAGE NUMBER CROSS REFERENCE LIST**

**A**

Actuator, 36vdc, 01.8strk, 300lb, 3-33, 3-41  
 Actuator, 36vdc, 02.1stroke 500lb, 2-65  
 Actuator, 36vdc, 02.7stroke 500lb, 2-57, 3-71  
 Actuator, 36vdc, 7.0stroke, 700lb, 2-47  
 Adapter, Brush, 3-31, 3-39  
 Adaptor, Brush, 2-5, 2-7  
 Adaptor, 3-125  
 Alarm Assy, Backup, 12-48vdc 82-102dba, 3-13, 3-15  
 Alarm Kit, Backup / A/V, Iron Gray, Ci, 3-15  
 Alarm, 9-48vdc, 95 Db(A) [Ec-H20], 3-105  
 Alarm, Warning, 10-48vdc, 2-15  
 Angle, 1.00 0.75 .12t 00.8l Hr, 3-57  
 Angle, Battery, R/O, Iron Gray, 3-143  
 Angle, Iron Gray, 3-67, 3-69, 3-77, 3-79, 3-85, 3-87, 3-95, 3-97  
 Angle, Mtg, Es, Iron Gray, 3-99, 3-127  
 Angle, Mtg, Pump, Detgt, Iron Gray, 3-121  
 Angle, Wand, Clean-Out, Iron Gray, 3-101  
 Arm Wldt, Brake, Lh, Iron Gray [7200], 2-27  
 Arm Wldt, Brake, Rh, Iron Gray [7200], 2-27  
 Arm Wldt, Front, Lh, Iron Gray, 3-75, 3-93  
 Arm Wldt, Front, Lh, 3-75, 3-93  
 Arm Wldt, Front, Rh, Iron Gray, 3-73, 3-91  
 Arm Wldt, Front, Rh, 3-73, 3-91  
 Arm Wldt, Lift, Scb Head, Gray [7300], 2-47  
 Arm Wldt, Pivot, Side, Gray [7300/8300], 2-57, 3-55, 3-71, 3-89  
 Arm Wldt, Rear, Lh, Iron Gray, 3-75, 3-93  
 Arm Wldt, Rear, Lh, 3-75, 3-93  
 Arm Wldt, Rear, Rh, Iron Gray, 3-73, 3-91  
 Arm Wldt, Rear, Rh, 3-73, 3-91  
 Arm Wldt, 2-65  
 Arm, Cntrl, Throttle, Electronic, 2-21  
 Arm, Latch, Iron Gray, 3-73, 3-75, 3-91, 3-93  
 Arm, Mtg, Side Sqge Frame, Ele, Gray, 2-59, 2-61, 3-61  
 Arm, Mtg, Side Sqge Frame, Ele, 3-57  
 Armature Assy, Complt, 4-7  
 Armature, 4-3, 4-5  
 Assy, Rod-End, .50, 4-17  
 Axle, Wand, 3-125

**B**

Bag, Power, 3-129, 3-131  
 Ball, Check, Strg Valve, 4-15  
 Ball, Check, 4-13  
 Balljoint, .25-28 Fem/.25-28mal, 2-21  
 Band, Brush Cover, 4-6  
 Bar Assy, Spray [7300/8300], 3-87  
 Bar Wldt, Battery, R/O, 3-143  
 Bar Wldt, Retainer, Sqge, Rear, 2-67, 2-69, 3-133, 3-135, 3-137, 3-139

Bar, 2-29, 2-41  
 Battery Kit, 36vdc 0600ah, Sealed, Ci, 3-153  
 Battery Kit, Wet, 36vdc 0500ah, Ci, 3-149  
 Battery, 36Vdc, 380Ah, Wet, 3-147  
 Battery, 36vdc, 600ah, Sealed, 3-151, 3-153  
 Battery, Wet, 36vdc 0500ah, 3-149  
 Battery, Wet, 36vdc 0750ah, 3-155  
 Bearing cover, 4-11  
 Bearing Kit, 4-15  
 Bearing, Ball, 0.75b 1.38d 0.50w, 2-17  
 Bearing, Ball, 0.79b 1.85d 0.55w, 3-65, 3-83  
 Bearing, Cone, 1.38b 0.71w, 2-27  
 Bearing, Cup, 2.56d 0.55w, 2-27  
 Bearing, Flange, 2-17  
 Bearing, Needle, 0.25b 0.88d 0.50w, 3-143  
 Bearing, Thrust, 0.66b 1.25d 0.06w, 2-63, 2-65, 3-33, 3-41  
 Bearing, Thrust, 0.75b 1.25d 0.06w, 2-65  
 Bearing, Thrust, 2-25, 3-31, 3-39, 4-14  
 Bearing, 2-23, 4-3, 4-5, 4-6, 4-7, 4-8, 4-9, 4-10  
 Bellcrank, Lift, Head, Iron Gray, 2-47  
 Belt, Drive (Cylindrical Brush), 2-2, 3-65, 3-83  
 Belt, Drive, 2-3  
 Blade Assy, Sqge, Side, 2-3, 3-59  
 Blade Kit, Sqge, Ure, [Mp1000], 3-140  
 Blade Kit, Sqge, Ure, [Mp1200], 3-141  
 Blade, Sqge, Front 48.0l, 2-2, 2-3, 3-133, 3-135  
 Blade, Sqge, Front, Mp1000, Tile, 2-67, 2-69, 3-137, 3-139  
 Blade, Sqge, Front, Mp1200, Tile, 3-133, 3-135  
 Blade, Sqge, Front, 2-2, 2-3, 2-67, 2-69, 3-137, 3-139, 3-140, 3-141  
 Blade, Sqge, Rear 48.0l, 2-2, 2-3, 3-133, 3-135  
 Blade, Sqge, Rear, 2-2, 2-3, 2-67, 2-69, 3-137, 3-139, 3-140, 3-141  
 Blade, Squeegee, 2-3, 3-59, 3-125  
 Block, Adj, 3-33, 3-41  
 Bolt, Eye, M10x1.5 X 2.0 X .28 Eye, 2-65, 3-133, 3-135  
 Bolt, Eye, M8 X 1.25, 2.75l, 2-59, 2-61, 3-57, 3-61, 3-73, 3-75, 3-91, 3-93  
 Bolt, Shld, .38DX0.38, .31-18, 3-143  
 Bolt, 2-23  
 Boot, 90deg .50d .57d X .84, 2-23  
 Boot, Circuitbreaker, 3-105  
 Boot, Protector, Circuitbreaker, 2-71  
 Box, Accelerator, 2-21  
 Box, Circuitboard, Iron Gray, 2-81  
 Box, Circuitboard, 2-81  
 Bracket Wldt [7300/8300 FaST], 2-33  
 Bracket Wldt [7300/8300-FaST], 2-33  
 Bracket Wldt [7300/8300 Fast li+], 2-37  
 Bracket Wldt, Hose, Water, Iron Gray, 2-39

Bracket Wldt, Module, 3-105  
 Bracket Wldt, Mtg, Fan, Iron Gray, 2-45  
 Bracket Wldt, Mtg, Fan, 2-45  
 Bracket Wldt, Mtg, Spring, 2-59, 3-57  
 Bracket Wldt, Pivot, 2-63  
 Bracket Wldt, Steering, Tilt, Iron Gray, 2-17, 3-27  
 Bracket Wldt, Tank, 2-41  
 Bracket, Adapter, Mtg, Kick In, Frame, 3-49, 3-81  
 Bracket, Adaptor, Mtg, Kick In, Frame, 3-49, 3-81  
 Bracket, Bar, Spray, 40.0 [7300/8300], 3-69  
 Bracket, Bar, Spray, 48.0 [7300/8300], 3-87  
 Bracket, Cntrl, Cable, Iron Gray, 2-39  
 Bracket, Component, 3-105  
 Bracket, Fan End, 4-3, 4-5  
 Bracket, Full, 2-29, 3-101  
 Bracket, Guard, Iron Gray, 2-39  
 Bracket, Guard, 2-39  
 Bracket, Handle, Water, Iron Gray, 2-39  
 Bracket, Harness, Iron Gray, 2-41  
 Bracket, Hsng, Brush, Iron Gray, 3-35, 3-43  
 Bracket, Hsng, Brush, 3-35, 3-43, 3-45  
 Bracket, Iron Gray, 3-33, 3-41  
 Bracket, Latch, Cover, Iron Gray, 2-11  
 Bracket, Latch, Cover, 2-11  
 Bracket, Motor, Mtg, 3-31  
 Bracket, Mtg [Fast li+], 2-37  
 Bracket, Mtg, Circuitbreaker [Hi-Mag], 2-11  
 Bracket, Mtg, Circuitbreaker, [Hi-Mag], 2-11  
 Bracket, Mtg, Controller, Sgl, Iron Gray, 2-75  
 Bracket, Mtg, Controller, Sgl, 2-75  
 Bracket, Mtg, Es, Iron Gray, 3-99  
 Bracket, Mtg, Iron Gray, 3-7, 3-15  
 Bracket, Mtg, Motor, Iron Gray, 3-31, 3-39  
 Bracket, Mtg, Pump, Detgt [7300/8300], 2-33  
 Bracket, Mtg, Relay, Iron Gray, 2-75  
 Bracket, Mtg, Relay, 2-75  
 Bracket, Mtg, Tank, Iron Gray, 2-29, 2-41  
 Bracket, Mtg, Valve, Solenoid, 2-31  
 Bracket, Mtg, 3-5, 3-13, 3-125  
 Bracket, Panel, 2-23  
 Bracket, Pivot, Iron Gray, 3-33  
 Bracket, Pivot, 3-41  
 Bracket, Protector, Float Switch, 2-41, 3-101  
 Bracket, Retainer, Filter, 2-41  
 Bracket, Retainer, Spring, 2-5, 2-7  
 Bracket, Retaining, Filter, 2-41  
 Bracket, Retaining, Iron Gray, 2-41  
 Bracket, Retaining, Tank, Detgt, 3-121  
 Bracket, Sppt, Auto Fill, Iron Gray, 3-99  
 Bracket, Sppt, Tilt, Iron Gray, 2-17  
 Bracket, Spring, Iron Gray, 2-65  
 Bracket, Step, Iron Gray, 3-49

Bracket, Stop, Bar, Lh, Iron Gray, 3-135  
 Bracket, Stop, Bar, Rh, Iron Gray, 3-135  
 Bracket, Stop, Frame, Iron Gray, 3-47  
 Bracket, Stop, Frame, 2-49  
 Bracket, Tube, Tee, 3-59, 3-79, 3-97  
 Bracket, Valve, Large, 4-17  
 Bracket, Wand, Power, Iron Gray, 3-127  
 Bracket, 2-13, 3-49, 3-125  
 Brake Assy, 2-27  
 Brake Repair Kit, 2-27  
 Brake Shoes, 2-2, 2-27  
 Brush, 4-9  
 Brush Assy, Disk, Scb, 16.0 D, Pyp, 2-7  
 Brush Assy, Disk, Scb, 16.0D, Nylon, 2-7  
 Brush Assy, Disk, Scb, 16.0D, Super Abrasive, 2-7  
 Brush Assy, Disk, Scb, 20.0 D, Nyl, 2-5  
 Brush Assy, Disk, Scb, 20.0 D, Pyp, 2-5  
 Brush Assy, Disk, Scb, 20.0 D, Super Abr, 2-5  
 Brush Holder Assy, 4-8  
 Brush kit, propelling motor, 4-6  
 Brush Kit, 4-8, 4-10  
 Brush Mechanism, 4-5  
 Brush mechanism, 4-3  
 Brush, Block, Scrub, Ab, 3-125  
 Brush, Block, Scrub, Poly, 3-125  
 Brush, Board, Assy, 4-9  
 Brush, box & plate assy, 4-6  
 Brush, Carbon, 3-65, 3-83  
 Brush, Disk, Swp, 19.0D, Pyp (Option), 2-5, 2-7  
 Brush, Scrub, 39l, 20sr, Nyl, Spl, 2-5  
 Brush, Scrub, 39l, 20sr, Pyp, Spl, 2-5  
 Brush, Scrub, 39l, 20sr, Super Abr, Spl, 2-5  
 Brush, Scrub, 47l, 20sr, Nyl, Spl, 2-7  
 Brush, Scrub, 47l, 20sr, Pyp, Spl, 2-7  
 Brush, Scrub, 47l, 20sr, Super Abr, Spl, 2-7  
 Brush/rectifier Assy, 4-11  
 Brush, 4-6, 4-7  
 Brushholder, Motor, Ele, 3-31, 3-39  
 Bumper Wldt, Iron Gray, 2-9, 3-35  
 Bumper Wldt, 2-9, 3-35  
 Bumper, Neo, 1.5d .63t .31h, 2-51, 2-63, 3-133, 3-135  
 Bumper, Poly-E, 2-67, 2-69, 3-133, 3-135, 3-137, 3-139  
 Bumper, Posi Drain, Recvy Side, 3-111, 3-115  
 Bumper, Pye, 2-49, 3-47, 3-63, 3-81  
 Bumper, Rbr, 1.19d .72l, 2-47  
 Bumper, Rbr, 2.0d 0.75t .38-16, 3-73, 3-91  
 Bumper, Rear, Lh, Iron Gray, 3-17  
 Bumper, Rear, Lh, 3-16  
 Bumper, Rear, Rh, Iron Gray, 3-17  
 Bumper, Rear, Rh, 3-16  
 Bumper, Side, Recvy, Gray [Posi Drain], 3-113  
 Bumper, Side, Scb Head, Wide, Iron Gray, 3-49, 3-81  
 Bumper, Side, Scb Head, Wide, 3-49, 3-81

Bumper, Side, Soltn, Gray [Posi Drain], 3-117  
 Bumper, Sqge, 2-67, 2-69, 3-133, 3-135, 3-137, 3-139  
 Bumper, 3-63, 3-81  
 Busbar, .06 0.6w 2.5l 2/.28h, 2-73, 2-77  
 Busbar, Fuse, .6 0.6w 0.8h 2.0l, 2-73  
 Bushing Assy, Flng, 2 Hole, 0.50b, 3-27  
 Bushing, Flng, 0.50b 0.59d 0.38l, 2-47, 3-33, 3-41  
 Bushing, Flng, 0.63b 0.72d 0.25l, 2-39, 2-47, 2-57, 3-55, 3-71, 3-89  
 Bushing, Flng, 0.63b 0.75d 0.38l, 2-59, 2-61, 3-57, 3-61, 3-73, 3-75, 3-91, 3-93  
 Bushing, Flng, 0.71b 0.79d 0.47l, 2-17  
 Bushing, Flng, 0.75b 1.00d 1.00l, Nyl, 2-17  
 Bushing, Flng, 1.00b 1.13d 0.38l, 2-27  
 Bushing, Light, Led, 3-107  
 Bushing, Sleeve, 0.37b 0.50d 0.50l, 2-25  
 Bushing, Sleeve, 0.38b 0.63d 0.57l, Stl, 2-17  
 Bushing, Sleeve, 0.63b 0.72d 0.38l, 2-59, 2-61, 3-57, 3-61, 3-73, 3-75, 3-91, 3-93  
 Bushing, Taper Lock, 3-27  
 Button, Plug, 1.1 X 1.1h, Black, Plstc, 2-15

**C**

Cable Assy, 2-11  
 Cable, .12d, 13.3l, .2clevis/.2clevis, 2-2, 2-3, 2-65  
 Cable, .13d, 10.0l, .51eye /.51eye, 3-31, 3-37, 3-39  
 Cable, .13d, 15.5l, .50eye /.50eye, 2-57, 3-55, 3-71, 3-89  
 Cable, Pull, 2-25  
 Cable, Push Pull, 2-39  
 Cable, Ribbon, 34 Conductor, 2-15  
 Cable, Safety, Battery, 3-143  
 Cam, Front, 3-65, 3-83  
 Cam, Rear, 2-67, 2-69, 3-65, 3-83, 3-133, 3-135, 3-137, 3-139  
 Cam/bearing/Diaphragm Kit, 4-11  
 Cam, 2-67, 2-69, 3-133, 3-135, 3-137, 3-139  
 Cap Assy, 3-111, 3-113  
 Cap Screw, 4-14  
 Cap, Brush, Motor, Ele, 3-31, 3-39  
 Cap, Dust, 3-111, 3-113, 3-115, 3-117  
 Cap, End, 4-14, 4-15  
 Cap, Hub 2.567 Hole, 2-27  
 Cap, Neoprene Black, 2-65, 3-51  
 Cap, Plastic, 2-29  
 Cap, Tank, Drain, 2.25 Thread Pye, 2-43, 3-103  
 Cap, Tank, Drain, 3.85 Thread Pye, 2-43, 3-103  
 Cap, Tank, Drain, 6.17 Thread Pye, 2-29, 3-111, 3-113, 3-115, 3-117  
 Cap, Tank, 2-43, 3-103, 3-121  
 Cap, Tube, 3-27

Cap, Vyl, .234id .750l .04, 2-13  
 Capacitor, Plug [.01 Uf, 200v], 3-107  
 Caster Kit, Sqge, Replmt, 2-63  
 Chain, Coil, Str, #210, 09.0l 07 Link, 2-65  
 Chain, Roller, #40 X 109 Pitches, 3-27  
 Chain, Roller, #40 X 130 Pitches, 2-17  
 Chain, Sash, #35, 07.2l 13 Link, 3-111, 3-113, 3-115, 3-117  
 Channel Wldt, Guard, Rh, Iron Gray, 2-69, 3-139  
 Channel Wldt, Iron Gray, 2-63, 3-135  
 Channel Wldt, Steering, Iron Gray, 2-9  
 Channel Wldt, Steering, 2-9  
 Channel Wldt, 2-63, 2-67, 3-133, 3-137  
 Channel, .19, 2.5w 1.0 29.3l, H&S, Gray, 2-29  
 Channel, Battery, R/O, Iron Gray, 3-143  
 Channel, Iron Gray, 3-33, 3-41  
 Channel, Spring, 2-65  
 Channel, Stop, Lh, 3-133  
 Channel, Stop, Rh, 3-133  
 Channel, 2-29, 2-41  
 Charger, 36V/120A 60H/1Ph 480V, 3-159  
 Charger, 36V/120A 60H/3Ph 480V, 3-160  
 Charger, 36V/150A 60Hz, 3-161  
 Charger, 36V/75A 60Hz/1Ph, 3-157  
 Charger, 36V/75A 60Hz/3Ph, 3-158  
 Charger, 36V/93A 60Hz, 1Ph, Sealed, 3-162  
 Charger, 36V/93A 60Hz, 3Ph, Sealed, 3-163  
 Check valve assy, 4-11  
 Chrome Pltd Cam Shaft, 2-27  
 Circuitboard, Assy, [7300/8300], 2-81  
 Circuitboard, Pedal, 2-21  
 Circuitboard, Sweeper, [8300], 3-35  
 Circuitbreaker, 10.0a, 2-71, 2-82  
 Circuitbreaker, 15.0a (Power Wand / Side Sweep Option), 2-71  
 Circuitbreaker, 15.0a, 2-71, 3-35  
 Circuitbreaker, 20.0a, 2-71  
 Circuitbreaker, 25.0a, 2-71  
 Circuitbreaker, 30.0a, 2-71  
 Circuitbreaker, 40.0a (Power Steering Option), 2-71  
 Circuitbreaker, 50.0a (Center Brush Option), 2-71  
 Circuitbreaker, 05.0A, Resetable, 2-83  
 Circuitbreaker, 15.0 A, 3-5, 3-7, 3-9, 3-11  
 Circuitbreaker, 2.0a, Resetable, 3-105  
 Circuitbreaker, 40a, (Max Prot 1000 Disk W/Std Motor), 2-71  
 Circuitbreaker, 40a, (Max Prot 1200 Disk), 2-71  
 Circuitbreaker, 45a, (Max Prot 1000 Cylindrical), 2-71  
 Circuitbreaker, 45a, (Max Prot 1000 Disk W/Hd Motor), 2-71  
 Circuitbreaker, 45a, (Max Prot 1200 Cylindrical), 2-71  
 Circuitbreaker, 50.0a, 2-71  
 Clamp Wldt, Front 48.0l, 3-133, 3-135

## CROSS REFERENCE

Clamp Wldt, Front, 2-3, 2-67, 2-69, 3-137, 3-139  
Clamp Wldt, Rear 48.0l, 3-133, 3-135  
Clamp Wldt, Rear, 2-3, 2-67, 2-69, 3-137, 3-139  
Clamp, Cable, Stl, 0.38d X 0.38w, 1h, 3-5, 3-7, 3-13, 3-15  
Clamp, Cable, Stl, 0.56d X 0.38w, 1h, 2-47  
Clamp, Cable, Stl, 0.63d X 0.75w, 1h, 2-13  
Clamp, Cable, Stl, 0.63d X 0.75w, 1hole, 3-105  
Clamp, Cable, Stl, 0.69d X 0.62w, 1h, 2-9, 2-57, 3-51, 3-53, 3-55, 3-71, 3-89  
Clamp, Cable, Stl, 0.75d X 0.75w, 1h, 3-69, 3-87  
Clamp, Cable, Stl, 0.88d X 0.62w, 1h, 2-53, 2-55  
Clamp, Cable, Stl, 0.88d X 0.62w, 1hole, 3-105  
Clamp, Cable, Stl, 1.00d X 0.62w, 1h, 3-67, 3-69, 3-85, 3-87, 3-101  
Clamp, Cable, Stl, 1.50d X 1.00w, 1h, 2-33  
Clamp, Hose .40 - .42 2 Wire, 2-33  
Clamp, Hose, Plstc, 1.60d X 0.62w, 2-43, 3-103  
Clamp, Hose, Wir, .52 - .56, Yel, 4-17  
Clamp, Hose, Wir, .63 - .66, Blk, 4-17  
Clamp, Hose, Wormdrive, 0.25-0.62d, .31w, 3-105  
Clamp, Hose, Wormdrive, 0.25-0.62d, 3-121  
Clamp, Hose, Wormdrive, 0.31-0.88d, .31w, 2-37, 2-53, 3-105  
Clamp, Hose, Wormdrive, 0.31-0.88d, 2-31, 2-33, 2-35, 2-55, 3-51, 3-53, 3-69, 3-87, 3-127  
Clamp, Hose, Wormdrive, 0.50-1.06d, 3-51  
Clamp, Hose, Wormdrive, 0.56-1.06d, .56w, 2-53, 2-55, 3-51, 3-53, 3-101  
Clamp, Hose, Wormdrive, 0.56-1.06d, 3-99  
Clamp, Hose, Wormdrive, 0.81-1.50d, 2-3, 2-29, 2-53, 3-59, 3-67, 3-69, 3-79, 3-85, 3-87, 3-97  
Clamp, Hose, Wormdrive, 1.56-2.50d, 2-45  
Clamp, Hose, Wormdrive, 1.62-3.50d, 2-31  
Clamp, Hose, Wormdrive, 1.81-2.75d, 3-79, 3-97  
Clamp, Hose, Wormdrive, 2.50-3.50d, .50w, 3-105  
Clamp, Hose, 3-123, 3-125  
Clamp, Ribbon Cable, Hold-Down, 2-15  
Clamp, Ribbon Cable, 2-15  
Clamp, 4-3  
Clevis, Adj, 0.19pin, #10-32, 2-39  
Clevis, Adj, 0.38pin, 0.31-24, Lh, Pl, 2-27  
Clevis, Adj, 0.38pin, 0.31-24, Pl, 2-27  
Clip, Finger Grip, 3-101, 3-129, 3-131  
Clip, Motor, Ele, 3-31, 3-39  
Clip, Spring, Prop Arm, 3-79, 3-97

Clip, Sprocket, 2-23  
Column Wldt, Steering, Iron Gray, 2-17  
Column, Steering (Replaced by 387653), 3-27  
Column, Steering, #14.0L .81D 36Tooth, 3-27  
Comm. Bracket, 4-5  
Comm. bracket, 4-3  
Connector assy, 4-11  
Connector Body, 4-8, 4-9, 4-10  
Connector Kit, Tubing, 4-12  
Connector, 2 Conductor, 4-3, 4-5  
Connector, 2-Conductor, 4-7  
Connector, 350a, Gray [Anderson], 3-149, 3-155  
Connector, Andersn 350A, Gray, 3-159, 3-160  
Connector, Anderson, 350A, Gray, 3-147, 3-151, 3-153, 3-157, 3-158, 3-161, 3-162, 3-163  
Connector, Fem, 2cav, Mp280 Sealed, 4-18  
Contact, Switch, 2-15  
Contactor, 36vdc, [Spno], 2-73  
Contactor, 36vdc, 100a, Spst, 2-75  
Contactor, 36vdc, 200a, Dpdt, 2-75  
Contactor, 36vdc, 200a, Spst, 2-75  
Contactor, 36vdc, Spdt, 2-73  
Contactor, 36vdc, 2-73, 3-27  
Controller Kit, Replmt [Ec-H2o], 4-17  
Controller, Motor, 36vdc, 1204, 2-73, 2-75  
Coupling Body, Qf, Pm08, 2-35  
Coupling Insert, Qm, Bm08, 2-35  
Coupling, Fem, W/ Valve, .25 Brb, 2-33  
Coupling, Flexible, 4-13  
Coupling, Mal, .25 Npt, 2-33  
Cover Kit, Recvy, W/ Gasket, Teal, 2-41  
Cover Kit, Soltn, W/ Gasket, Teal, 2-29  
Cover Kit, Soltn, W/ Gasket, 2-29  
Cover Wldt, Iron Gray, 2-13  
Cover Wldt, 2-13  
Cover, Controlbox, 2-71  
Cover, Drive, 3-65, 3-83  
Cover, Front, Teal, 2-11  
Cover, Front, 2-11  
Cover, Idler, 3-65, 3-83  
Cover, Insert, 2-43, 3-103  
Cover, Iron Gray, 2-81  
Cover, Rear, Teal, 2-13  
Cover, Rear, 2-13  
Cover, Reservoir, 4-13  
Cover, Tank, Solution, 2-29  
Cover, Tank, Top, Teal, 2-13  
Cover, Tank, Top, 2-13  
Cover, Tank, 2-29, 3-121  
Cover, 2-81  
Cradle Wldt, Battery, Iron Gray, 3-145  
Crank Replacement Kit, 4-12  
Cuff, Swivel, 3-123

## D

Detergent Pkg, 2 Liter, Sgl, 365, 2-33  
Detergent Pkg, 2 Liter, Sgl, 665, 2-33  
Detergent Pkg, 4 Liter, Sgl [Tco 665], 2-33  
Device, Centering, 2-5, 2-7  
Diaphragm kit, 4-11  
Diode, Ele, Plug, 2-15, 2-75, 2-103, 2-104, 3-107  
Disc, 4-3  
Disk, Pad Drive, W/ Face, 20d, 2-5  
Disk, Pad Driver, W/Face, 16D, 2-7  
Drain Kit, Gray, Ci [Posi Cntrl/Recvy], 3-113  
Drain Kit, Gray, Ci [Posi Cntrl/Soltn], 3-117  
Drive, Main, 4-14  
Drive, Valve, Strg, 4-15  
Driver Assy, Pad, 16D, 2-7  
Driver Assy, Pad, 20.0D, 2-5  
Drum, Cable, Lift, 2-65  
Duct, Vyl, 0.40 X 0.75 .25d 48.0l, 3-9, 3-11

## E

Ec-H2o Kit, Module C, Plumbing, 4-17  
Ec-H2o Kit, Cylrcl, 1000mm, Ci [73/8300], 3-109  
Ec-H2o Kit, Cylrcl, 1200mm, Ci[73/8300], 3-109  
Ec-H2o Kit, Disk, Ci [7300/8300], 3-109  
Electrode, 5 Plate, High Flow, 4-17  
Electrode, Cylindrical, 4-17  
Element, Fltr, 4-13  
Extinguisher, Fire, 3-164

## F

Fan Assy, Vacuum (See Breakdown) (Replaced by 398520), 2-45  
Fan Assy, Vacuum (See Breakdown), 2-45  
Fan vacuum, 36v, 4-3  
Fan, rotating, 4-3  
Fan, stationary, 4-3  
Fan, Vacuum, 5.7D, 036Vdc, 3 Stage, 2-45  
Fan, Vacuum, 4-5  
Fan, 4-3, 4-5  
Fast 665 4 Ltr, Detergent, 2-37  
Fast 965 4 Ltr, Detergent, 2-37  
FaST Kit, Ci [Inj Reblid, 7300/8300], 4-19  
Fast Kit, Ci, Injector Filters[Fast li+], 4-19  
Fast Kit, Ci, Injector Seals [Fast li+], 4-19  
Fast Kit, Injector, Ci [7300/8300] (See Breakdowns), 2-37  
FaST Kit, Injector, Ci [7300/8300], 4-19  
Filter Assy, Air, Molded Ure, 2-33  
Filter, Fan, 2-3  
Filter, Foam, 2-35  
Filter, In-Line, Pf06/Pf06 080mesh 02.6l, 2-37, 3-105  
Filter, Inline, Pf06/Pf06, 80 Mesh, 2-35  
Filter, Panl, Dust, 2.0 X 06.1 X 07.6, 2-2, 2-3, 2-41



Filter, Soltn, 20mesh, Pf16 3.1d 02.3l, 2-29  
 Fitting 1/8mx1/4h Barb Brs, 2-33  
 Fitting Assy, Cap, 0.067b, Pf04, 2-31  
 Fitting Assy, Cap, 0.086b, Pf04, 2-31  
 Fitting Assy, Qdc, Pf04, 3-105  
 Fitting, Brs, E90, Cf03/Pf02, 2-33  
 Fitting, Brs, E90, Pm04/Bm08, 2-31  
 Fitting, Brs, Qdc, Bm12/Qf08, 3-99  
 Fitting, Brs, Qdc, Pm04/Qf06, 3-127  
 Fitting, Brs, Str, Pf04/Pf04 Bkhd, 3-127  
 Fitting, Brs, Str, Bm06/Pf02, Spcl, 3-105  
 Fitting, Brs, Str, Bm06/Pf04, 3-105  
 Fitting, Brs, Str, Pf02/Pm06, 3-105  
 Fitting, Brs, Str, Pm02/Bm03, 2-45  
 Fitting, Brs, Str, Pm02/Pm02, 4-17  
 Fitting, Brs, Str, Pm04/Pm04, 2-31  
 Fitting, Brs, Tee, Pf04/Pf04/Pm04, 2-31  
 Fitting, Brs, Tee, Pf04/Pm04/Pf04, 2-31  
 Fitting, Brs, Tee, Pf02/Pf02/Pm02, Run, 3-105  
 Fitting, Brs, Tee, Pm04/Pf04/Pf04, Run, 2-37  
 Fitting, Coupler, Hose, Shank, Fem, 3-111, 3-113, 3-115, 3-117  
 Fitting, Elbow, 3-125  
 Fitting, Grease, E90 Pm04 .75L, 3-49, 3-63, 3-81  
 Fitting, Grease, 2-23  
 Fitting, Hose, Barbed, .25npt Mal, 3-125  
 Fitting, Hyd, E90, Jm06/Om06, 3-27  
 Fitting, Hyd, Str, Jm04/Om06, 3-27  
 Fitting, Hyd, Str, Jm04/Om10, 3-27  
 Fitting, Hyd, Str, Jm06/Om06, 3-27  
 Fitting, Hyd, Tee, Jm06/Om06/Jm06, 3-27  
 Fitting, Nyl, Qdc, E90, Bm06/ Qm10, 2-37  
 Fitting, Nyl, Qdc, E90, Bm08/ Qm10, 2-37  
 Fitting, Plstc, [90 Bm03/Pm02], 2-41  
 Fitting, Plstc, Bkhd, Pf12/Pf12, 2-43  
 Fitting, Plstc, Bkhd, Pf16/Pf16, 2-29  
 Fitting, Plstc, Cap, Pf04, 2-33  
 Fitting, Plstc, Cap, Pf08, 2-53, 2-55, 3-51  
 Fitting, Plstc, E45, Pf12/Pf12, 3-99  
 Fitting, Plstc, E90, 06bm/06bm, 3-121  
 Fitting, Plstc, E90, 16bm/16pm, 2-29  
 Fitting, Plstc, E90, Bm04/Pm04 Nyl, 2-33  
 Fitting, Plstc, E90, Bm05/Pm02, Nyl, 4-17  
 Fitting, Plstc, E90, Bm06/Pm04, Nyl, 2-37  
 Fitting, Plstc, E90, Bm08/Bm08, 2-53, 2-55, 3-51, 3-53  
 Fitting, Plstc, E90, Bm08/Pm04 Nyl, 2-31  
 Fitting, Plstc, E90, Bm08/Pm04, 3-127  
 Fitting, Plstc, E90, Bm08/Pm06, 2-35, 2-37, 3-69, 3-87, 3-105  
 Fitting, Plstc, E90, Bm08/Pm08, 3-99  
 Fitting, Plstc, E90, Bm08/Pm12, Nyl, 2-35  
 Fitting, Plstc, E90, Bm10/Pm12, 3-99  
 Fitting, Plstc, E90, Bm12/Bm12, 2-53, 2-55, 3-51, 3-53, 3-67, 3-69, 3-85, 3-87  
 Fitting, Plstc, E90, Bm12/Pf12, 3-101  
 Fitting, Plstc, E90, Bm12/Pm08, 3-51, 3-99

Fitting, Plstc, E90, Bm12/Pm12, 3-99, 3-101  
 Fitting, Plstc, E90, Pf08/Pf08, 3-69, 3-87  
 Fitting, Plstc, E90, Pm12/Pf12, 2-29  
 Fitting, Plstc, Pipe, Cap, Pf04, 2-37  
 Fitting, Plstc, Plug, Pm12, 2-29, 2-43, 3-99  
 Fitting, Plstc, Plug, PM16, 2-29  
 Fitting, Plstc, Rst, .50od/.31id, 3-51, 3-53  
 Fitting, Plstc, Str, 08pmxgarden, 3-101  
 Fitting, Plstc, Str, Bm04, Cplg, Fem, 2-37  
 Fitting, Plstc, Str, Bm04/Bm08, 2-33, 3-105  
 Fitting, Plstc, Str, Bm05/Pm04, 3-105  
 Fitting, Plstc, Str, Bm06/Bm06, 3-121  
 Fitting, Plstc, Str, Bm06/Pm02, Nyl, 3-105, 4-17  
 Fitting, Plstc, Str, Bm06/Pm04, 2-37  
 Fitting, Plstc, Str, Bm06/Pm12, 3-121  
 Fitting, Plstc, Str, Bm08/Bm08, 2-53, 2-55, 3-51, 3-53  
 Fitting, Plstc, Str, Bm08/Pm04 (ec-H2O), 3-53, 3-69, 3-87  
 Fitting, Plstc, Str, Bm08/Pm04 (FaST), 2-55  
 Fitting, Plstc, Str, Bm08/Pm04, 3-127  
 Fitting, Plstc, Str, Bm08/Pm06, 2-35, 2-37, 3-105  
 Fitting, Plstc, Str, Bm08/Pm08, 2-53, 2-55, 3-51, 3-69, 3-87  
 Fitting, Plstc, Str, Bm08/Pm12, 2-35, 2-37, 3-105, 3-127  
 Fitting, Plstc, Str, Bm10/Bm10, 2-53, 2-55  
 Fitting, Plstc, Str, Bm12/Pm08, Nyl, 3-69, 3-87  
 Fitting, Plstc, Str, Bm12/Pm08, 3-99  
 Fitting, Plstc, Str, Bm12/Pm12, 2-29, 3-99  
 Fitting, Plstc, Str, Bm24/Bm32, 3-123, 3-131  
 Fitting, Plstc, Str, Pm04, Cplg, Mal, 2-37  
 Fitting, Plstc, Str, Pm08/Pm08, 3-99  
 Fitting, Plstc, Str, Pm12/Bm16, 2-29  
 Fitting, Plstc, Str, Pm12/Pm12, 2-29, 3-99  
 Fitting, Plstc, Str, Pm16/Pm16 Close, 2-29  
 Fitting, Plstc, Tee, Bm04/Bm04/Bm04, 2-37  
 Fitting, Plstc, Tee, Bm05/Bm05/Pm04, 3-105  
 Fitting, Plstc, Tee, Bm06/Bm06/Bm06, 3-105  
 Fitting, Plstc, Tee, Bm08/Pm04/Bm08 Nyl, 2-31, 2-33  
 Fitting, Plstc, Tee, Bm10/Bm10/Bm10, 2-53  
 Fitting, Plstc, Tee, Bm12/Bm12/Bm12, 3-67, 3-85  
 Fitting, Plstc, Tee, Bm16/Pf12/Bm16, 2-29  
 Fitting, Plstc, Tee, Pf08/Pf08/Pf08, 3-99  
 Fitting, Plstc, Tee, Pf12/Pf12/Pf12, 2-29  
 Fitting, Plstc, Y, Bm06/Bm06/Bm06, Nyl, 3-105  
 Fitting, Plstc, Y, Bm08/Bm08/Bm08 Nyl, 3-69, 3-87  
 Fitting, Plstc, Y, Bm08/Bm08/Bm08, Nyl, 2-37

Fitting, Qm, Male, 3-99  
 Fitting, Quick Disconnect, 3-123  
 Flange, 4-14  
 Flasher, 12/48vdc 5a #6309/12-48vdc, 3-13, 3-15  
 Frame Assy, Sqge, Side, Vacuum, Rh, 3-59  
 Frame Wldt, Main, Iron Gray [7300/8300], 2-9  
 Frame Wldt, Scb Head, 2 Brush, Ele, Gray, 2-49  
 Frame Wldt, Scb Head, 3 Brush, Ele, Gray, 3-47  
 Frame Wldt, Sqge 48.0l, 3-133, 3-135  
 Frame Wldt, Sqge, Iron Gray, 2-67, 2-69, 3-137, 3-139  
 Frame Wldt, Sqge, Side, Lh, 2-61, 3-61, 3-75, 3-93  
 Frame Wldt, Sqge, Side, Rh, 2-59, 3-57, 3-73, 3-91  
 Frame, 2-9  
 Fuse, .20A, 3Ag, Slo-Blo, 2-81  
 Fuse, 010A 032Vdc 0.25D, 3-35  
 Fuse, 150amp, 2-73, 2-75

**G**

Gasket, .19, 2.00ld 5.38OD [BUNA], 3-111, 3-113, 3-115, 3-117  
 Gasket, .19, 4.05id 5.29od [Buna], 2-29, 2-43, 3-103, 3-121  
 Gasket, Cap, Drain, 2-2, 2-3, 2-43, 3-103  
 Gasket, Cap, Dust, 3-111, 3-113, 3-115, 3-117  
 Gasket, Cap, 2-43, 3-103  
 Gasket, Celr Ure, .50, 05.94w 08.88l, Adh, 2-29  
 Gasket, Cover, Controller, 2-71  
 Gasket, Cover, 3-65, 3-83  
 Gasket, Foam, 3-79, 3-97  
 Gasket, Lid, 2-43, 3-103  
 Gasket, Mtg, Fan, 2-2, 2-3, 2-45  
 Gasket, Sqge, 2-67, 2-69, 3-133, 3-135, 3-137, 3-139  
 Gasket, Tank, Recovery, 2-2, 2-3, 2-41  
 Gasket, Ure, .50, 12.65w 18.89l, Adh, 2-41  
 Gasket, 2-81  
 Gasspring, 56lb, 6.3strk, 2-57, 3-55, 3-71, 3-89  
 Gear, Drive, 2-23  
 Gearbox, 90, Drive Wheel, Rear, [Hu], 2-23  
 Gearbox, Motor, 4-8, 4-9, 4-10  
 Geroler S/A, 4-14  
 Geroter, 4-15  
 Grommet, Blind, 3-105, 4-17  
 Grommet, Level Sensing 1.6 D 9.6L, 2-29  
 Grommet, Pye, 0.37id, F/ 1.5h, .13matl, 3-121  
 Grommet, Rbr, 0.38id, F/ 0.5h, .12matl, 3-5, 3-7, 3-9, 3-11, 3-13, 3-15  
 Grommet, Rbr, 0.50id, F/ 0.8h, .12matl, 2-71

## CROSS REFERENCE

- Grommet, Rbr, 0.89id, F/ 1.2h, .14matl, 2-21  
Grommet, Rbr, 1.00id, F/ 1.4h, .12matl, 2-71  
Grommet, Rbr, 1.0b, 2-71, 2-81  
Grommet, Rbr, 1.50id, F/ 1.8h, .31matl, 2-15, 2-25  
Grommet, Rbr, 2.13id, F/ 2.5h, .12 Matl, 2-33  
Grommet, Ribbon Cable, .63 X 1.81, 2-15  
Grommet, 3-125  
Guard Kit, Sqge, Rear, Ci [7300/8300], 3-49, 3-81  
Guard Kit, Sqge, Rear, Iron Gray, Ci, 3-49, 3-81  
Guard Wldt, Lh, Iron Gray, 3-75, 3-93  
Guard Wldt, Lh, 3-75, 3-93  
Guard Wldt, Light, Revl/Fish, Iron Gray, 3-7  
Guard Wldt, Light, Revl/Fish, 3-5, 3-9, 3-11  
Guard Wldt, Oprtr, Top, Iron Gray, 3-21  
Guard Wldt, Oprtr, Top, 3-19  
Guard Wldt, Rh, [Mp1200], 3-91  
Guard Wldt, Rh, Iron Gray, 3-73, 3-91  
Guard Wldt, Sqge (MP 20), 3-49, 3-81  
Guard Wldt, Sqge, Rear, Gray, 3-49, 3-81  
Guard, Brush, Side, 3-31, 3-39  
Guard, Bumper, 3-49, 3-81  
Guard, Kick In, Scb Head, Iron Gray, 2-51, 3-49, 3-63, 3-81  
Guard, Kick In, Scb Head, 2-51, 3-49, 3-63, 3-81  
Guard, Light, 3-13, 3-15  
Guide, Point, Side Sqge, 2-59, 2-61, 3-57, 3-59, 3-61, 3-73, 3-75, 3-91, 3-93
- H**
- Handle Wldt, Steering, Tilt, 2-17, 3-27  
Handle, Wand, 3-125  
Handle, 2-29  
Harness [Fast 7300/8300], 2-103  
Harness [FaST II+ 7300/8300], 2-104  
Harness, Backup Alarm, Shrd, 3-13, 3-15  
Harness, Battery, Connecting, 2-77, 2-79  
Harness, Battery, Rollout [7300/8300], 3-143  
Harness, Fast, 7300/8300, 2-103  
Harness, Jumper, Arm, 2-102  
Harness, Light, Revl, Shrd, 3-5, 3-7  
Harness, Main, 7300, 8300, 2-102  
Harness, Main, Controlboard[Ec-H2o 5cell], 4-17  
Harness, Power Wand, [7300/8300], 3-129  
Harness, Rear [FaST 7300/8300], 2-104  
Harness, Rear, [Fast 7300/8300], 2-103  
Harness, Sensor, Jumper, 2-41, 3-101  
Harness, Switch, Key, Diode, 2-75  
Harness, Warning Light, Alarm, 3-9, 3-11  
Harness, Wire [7300 Ec-H2o, Module], 3-108  
Harness, Wire [7300, Ec-H2o Interface], 3-108
- Harness, Wire, Jumper, Reverse Switch, 3-13  
Harness, Wire, Jumper, Seat Switch, 2-102  
Head Kit, Pump, Water, Repair, 4-18  
Head, Wand, 3-125  
Headlight, 36vdc, 15cp 0.7a [#0534242], 2-2  
Headlight, 36vdc, 15cp, 0.7a, 2-9  
Headlight, 36Vdc, 60 Watt 1.7A, 3-13, 3-15  
Hinge Assy, Iron Gray, 2-13  
Hinge Assy, 2-13  
Hinge Wldt, W/ Pin, Iron Gray, 2-13  
Hinge Wldt, W/ Pin, 2-13  
Hinge, .38pin .11 3.5w 04.0l 4/0.38slot, 2-11  
Hook Wldt, Latch, 3-65, 3-83  
Horn, 36vdc, DbA, 2-9  
Hose Assembly, 3-123  
Hose Assy, Drain, 2-43, 3-103  
Hose Assy, Pvc, W/ Cuff, 1.5d, 90.0l, 3-131  
Hose Assy, W/1cuff, 1.5d 120l 1.5/, 3-111, 3-113, 3-115, 3-117  
Hose Assy, W/2 Cuff, 1.0d 41.0l, 2-3, 3-59  
Hose Assy, W/2 Cuff, 1.0D 44L 1.0/1.0, 3-59  
Hose Assy, W/2cuff, 1.0d, 23l, 3-79, 3-97  
Hose Assy, W/2cuff, 1.0d, 41l, 3-79, 3-97  
Hose Assy, W/2cuff, 2.0d 26l, 3-59, 3-79, 3-97  
Hose Assy, W/2cuff, 2.0d 75l, 3-59, 3-79, 3-97  
Hose, Afmkt Replmt, Pvc, Brd 0.50id 1 Ft, 2-31, 2-33, 2-35, 3-69, 3-87  
Hose, Afmkt Replmt, Pvc, Brd 0.50id 2 Ft, 2-31, 3-53, 3-69, 3-87  
Hose, Afmkt Replmt, Pvc, Brd 0.50id 20ft, 2-35  
Hose, Afmkt Replmt, Pvc, Brd 0.50id 3 Ft, 3-53  
Hose, Afmkt, Pvc, Brd 0.50id 1ft, 2-55  
Hose, Afmkt, Pvc, Brd 0.50id 2ft, 2-53  
Hose, Afmkt, Pvc, Brd 0.75id 1 Ft, 3-53, 3-69, 3-87  
Hose, Afmkt, Pvc, Brd 0.75id 8 Ft, 3-53, 3-69, 3-87  
Hose, Afmkt, Pvc, Brd, 0.25id, 03ft, 3-105  
Hose, Afmkt, Pvc, Brd, 0.38id, 01ft, Clr, 4-17  
Hose, Afmkt, Pvc, Brd, 0.38id, 03ft, Clr, 2-37  
Hose, Afmkt, Pvc, Brd, 0.38id, 08ft, Clr, 3-105  
Hose, Afmkt, Pvc, Brd, 0.50id, 01ft, Clr, 2-37  
Hose, Afmkt, Pvc, Brd, 0.50id, 02ft, Clr, 2-37  
Hose, Afmkt, Pvc, Brd, 0.50id, 08ft, Clr, 3-105  
Hose, Afmkt, Pvc, Brd, 0.75id 8 Ft, 2-55  
Hose, Afmkt, Pvc, Clr 0.25id 1 Ft, 2-33  
Hose, Afmkt, Pvc, Clr 0.25id 2 Ft, 2-33  
Hose, Afmkt, Pvc, Clr, 0.25id, 02ft, 2-37
- Hose, Hyd, Tc 06, Jf Str/E90 , 48.0l, 3-28  
Hose, Hyd, Tc 04, Jf04str/Jf04e90 , 30.0, 3-28  
Hose, Pvc, Brd, 0.31id 0.53od, 2ft, Clr, 4-17  
Hose, Pvc, Brd, 0.38id 0.60od 15.00l, 3-121  
Hose, Pvc, Brd, 0.38id 0.60od 66.00l, 3-121  
Hose, Pvc, Brd, 0.50id 0.73od 33.00l, 3-51  
Hose, Pvc, Brd, 0.50id 0.75od 14.00l, 3-51  
Hose, Pvc, Brd, 0.50id 0.80od 18.00l, 3-51  
Hose, Pvc, Brd, 0.62id 0.91od 10.30l, 2-53  
Hose, Pvc, Brd, 0.75ID 1.00OD 02.00L, 3-67  
Hose, Pvc, Brd, 0.75id 1.00od 02.00l, 3-51  
Hose, Pvc, Brd, 0.75id 1.00od 19.00l, 3-99  
Hose, Pvc, Brd, 0.75id 1.00od 2.00l, 3-85  
Hose, Pvc, Brd, 0.75id 1.00od 26.00l, 3-99  
Hose, Pvc, Brd, 0.75id 1.00od 44.50l, 3-51, 3-67, 3-85  
Hose, Pvc, Brd, 0.75id 1.03od 01.50l, 3-67, 3-85  
Hose, Pvc, Brd, 0.75id 1.03od 02.00l, 2-53, 2-55  
Hose, Pvc, Brd, 0.75ID 1.03OD 05.00L, 3-67  
Hose, Pvc, Brd, 0.75id 1.03od 05.00l, 3-85  
Hose, Pvc, Brd, 0.75id 1.03od 11.00l, 3-67, 3-85  
Hose, Pvc, Brd, 0.75id 1.03od 44.50l, 2-53, 2-55  
Hose, Pvc, Clr, 0.50id 0.69od 50.00l, 3-101  
Hose, Pvc, Wir, 0.50id 0.74od 47.00l, 3-127  
Hose, Pvc, Wir, 0.50id 0.75od 15.50l, 3-127  
Hose, Vacuum, 0.16id X 05.0l, 2-41, 2-45, 3-101  
Hose, Vacuum, 35.0l, 2-3, 3-59, 3-79, 3-97  
Hose, Vacuum, 58.5l, 2-3, 3-59, 3-79, 3-97  
Hose, Vacuum, 89.0l, 2-41  
Hose, Vacuum, 91.0l, 2-2, 2-3  
Hose, Vacuum, 2-2, 2-3, 2-45, 3-123  
Hose, Vyl, Brd .38id .60od 45.0l, 3-121  
Hose, Vyl, Brd, .62id 55.0l, 3-101  
Hose, Vyl, Brd, .75id 28.0l, 3-101  
Hose, Wand, 3-125  
Hose, Water, 1.0id 2.25l, 2-29  
Hose, Water, 1.0id 4.5l, 2-29  
Hose, Water, Vyl, Brd, .75id 14.0L, 3-99  
Hose, 3-123  
Housing Wldt, Brg, Iron Gray, 2-17

Housing Wldt, Brush, Iron Gray, 3-35, 3-43, 3-63, 3-81  
 Housing Wldt, Brush, Side, Iron Gray, 3-33, 3-41  
 Housing Wldt, Brush, 3-35, 3-43  
 Housing, Bottom, 4-17  
 Housing, Cplg, Qf / Pm08 (ec-H2O), 2-55  
 Housing, Cplg, Qf / Pm08 (FaST), 3-53, 3-69, 3-87  
 Housing, Cplg, Qf / Pm08, 2-37, 3-105  
 Housing, 4-3, 4-5, 4-14  
 Hub Wldt, Drive, Brush, Iron Gray, 3-65, 3-83  
 Hub, Drive, Brush, Disk, 0.75B 6T, 2-49, 3-47  
 Hub, Drive, Brush, Disk, 3 Hole 5.8Bc, 2-7

**I**

Insert, Cplg, Qm, Bm08, 2-37, 3-105  
 Instruction, Repair, Valve, Strg, 4-15  
 Instruction, Repair, 4-14  
 Insulator, Panel & Switchboard, 2-75  
 Insulator, Panel, 2-73

**J**

Joint, U, 0.75ld, 2-17

**K**

Key Square 0.25 0.25 01.00 Lg, 4-10  
 Key Square 0.25 X 0.25, 01.00L, 4-8, 4-9  
 Key, Ignition, 2-15  
 Key, Sq, 0.19 X 0.19, 00.75l, 3-65, 3-83  
 Key, Sq, 0.19 X 0.19, 01.00l, 2-17, 3-65, 3-83  
 Key, Sq, 0.19 X 0.19, 01.25L, 4-7  
 Key, Sq, 0.19 X 0.19, 01.25l, 3-65, 3-83  
 Key, Woodruff, 0.16 0.62, 4-6  
 Key, Woodruff, 0.19 0.75, [Asa#0606], 2-17  
 Kit, Brake, 2-2, 2-3  
 Kit, Brush, Motor, Ele, 3-31, 3-39  
 Kit, Cap, Drain, 2-43, 3-103  
 Kit, Cl, Alarm, Backup, 36Vdc, 3-13  
 Kit, Ci, Battery, 36vdc, 380ah, Wet, 3-147  
 Kit, Ci, Battery, 36vdc, 600ah, Sealed, 3-151  
 Kit, Ci, Battery, 36vdc, 750ah, Wet, 3-155  
 Kit, Ci, Battery, Rollout, 3-143  
 Kit, Ci, Bumper, Rear, 3-16, 3-17  
 Kit, Ci, Detgt Metering, 3-121  
 Kit, Ci, Drain, Soltn, Pos Cntrl, Soltn, 3-115  
 Kit, Ci, Drain, Soltn, Pos, Cntrl, Recvy, 3-111  
 Kit, Cl, Extinguisher, Fire, [7300/8300], 3-164  
 Kit, Ci, Fork Lift, Battery, 3-145  
 Kit, Ci, Indicator, Low Water Level, 3-119  
 Kit, Cl, Light, Revl W/ Ohg, 3-11  
 Kit, Cl, Light, Revl W/O OHG, 3-5  
 Kit, Ci, Ohg, [7300/8300], 3-19

Kit, Ci, Seat, Suspension, 3-25  
 Kit, Ci, Seatbelt, 3-23  
 Kit, Cl, Squeegee, Rear (Max Pro 1000), 2-67  
 Kit, Cl, Squeegee, Rear (Max Prot 1000), 3-137  
 Kit, Cl, Squeegee, Rear [Max Pro 1200], 3-133  
 Kit, Ci, Vacuum Wand, [7300/8300], 3-131  
 Kit, Cover, Recvy, W/Gasket, 2-41  
 Kit, Drain Hose, Solution Side, 3-103  
 Kit, Fitting, Garden Hose, 3-99  
 Kit, Maint, 800hr  
     [7300-Mp1200-Disk-Vac], 2-3  
 Kit, Maint, 800hr, [7300-Mp1000-Cyl], 2-3  
 Kit, Maint, 800hr, [7300-Mp1000-Disk], 2-2  
 Kit, Maint, 800hr, [7300-Mp1200-Cyl], 2-3  
 Kit, Maint, 800hr, [7300-Mp1200-Disk], 2-2  
 Kit, Modif, Ftg Location, [Discvac], 2-3  
 Kit, Replmt, Bracket, F/386211, 2-11  
 Kit, Replmt, Press Switch/34" Tube, 2-29, 3-119  
 Kit, Seal, Hyd, Valve, Strg, 4-15  
 Kit, Seal, Motor, 4-14  
 Kit, Seal, Scu, 3-27  
 Kit, Seal, 4-13  
 Kit, Spring, Valve, Strg, 4-15  
 Kit, Switch, Micro, 3-13  
 Kit, Valve, Check, 2-29  
 Kit, Wand, Power [5400], 3-125  
 Knob, 0.50-20, 1.38d, Plstc, 2-39  
 Knob, 4-Prong W/.31-18, Insert, 3-133, 3-135, 3-137, 3-139  
 Knob, 4-Prong W/.31-18, Insert, 2-67, 2-69  
 Knob, Adj, 2-63  
 Knob, Plastic, 3-33, 3-41  
 Knob, 2-17, 2-63

**L**

Label [User, Attention, Ec-H2o], 3-107  
 Label Set, Info & Hzd, 2-105  
 Label Set, Info/Hzrd, [Max Pro], 3-63, 3-81  
 Label Set, Info/Hzrd, [Maxpro], 2-49, 3-47  
 Label Set, Operational, 7300/8300, 2-105  
 Label Set, Opertrnl [7300 ec-H2O], 3-107  
 Label, Attention Fast Users, 2-29  
 Label, Brush, Side, Adj, 3-35, 3-43  
 Label, Direction [Ec-H2o], 4-17  
 Label, Fast, 2-82  
 Label, Front [Ec-H2o, T15], 3-107  
 Label, Logo, Bl-Gr [FaST], 2-105  
 Label, Module [Nsf, Ec-H2o], 4-17  
 Label, Sqge, 2-105  
 Label, Switch [7300/8300 FaST], 2-83  
 Label, Switch, Fast, 2-82  
 Label, Tank [ec-H2O], 2-105, 3-107  
 Label, Tank [ES], 2-105  
 Label, Tank, Bl-Gr [7300], 2-105

Lamp, 40vdc, 0.9a, [50cp#1062], 3-5, 3-7, 3-9, 3-11  
 Lamp, 36vdc, 32cp, .72a, 2-9  
 Lamp, 2-9  
 Lampholder, 2-9  
 Latch, Double Scrub, Side Sqge, 2-59, 2-61, 3-57, 3-61  
 Latch, Handle, 3-143  
 Latch, Trigger, 2-11  
 Latch, 2-13, 3-65, 3-73, 3-75, 3-83, 3-91, 3-93  
 Lens, Amber, Light, Revl, 3-5, 3-7, 3-9, 3-11  
 Lens, Rev. Light, Blue, 3-5, 3-7, 3-9, 3-11  
 Lens, Rev. Light, Red, 3-5, 3-7, 3-9, 3-11  
 Lever Wldt, Iron Gray, 2-25  
 Lever, Valve, Water, Iron Gray, 2-39  
 Light Kit, Revl, W/ Ohg, Ci [7300/8300], 3-9  
 Light Kit, Revl, W/O Ohg, Iron Gray, Ci, 3-7  
 Light, Led, .312d, 2 Volt [Tri-Color], 3-107  
 Light, Revl, 36vdc, Amb, Rework 44684, 3-5, 3-7, 3-9, 3-11  
 Light, Spot, 36vdc, 60w Rework 72173, 3-13, 3-15  
 Link Assy, Rod-End, .63-18, 2-51, 3-49, 3-63, 3-81  
 Link Wldt, Head, Drag (Replaced by 9005751), 3-49, 3-63, 3-81  
 Link, .38 1.0w 07.5l 2/1.5h, 2-51  
 Link, Chain, Roller, #40, 2-17, 3-27  
 Link, Lift, Squeegee (Replaced by 9005752), 2-51  
 Lock, Secondary, 2cav, Mp280 Sealed, 4-18

**M**

Manifold, Plastic, 3-51  
 Manifold, Soltn, Cntrl, 2-53, 2-55, 3-51, 3-53  
 Manual Pkg, (7300 Ele Na), 3-165  
 Manual, Fiche, (7300 Ele), 3-165  
 Manual, Oprtr, (7300 Ele Es Na), 3-165  
 Manual, Oprtr, (7300 Ele Fr Na), 3-165  
 Manual, Service, (7300 Ele Na), 3-165  
 Media, Cd-Rom, Training [ec-H2O TENNANT], 3-165  
 Module Kit, Replmt [ec-H2O] (See Breakdowns), 3-105  
 Module Kit, Replmt [Ec-H2o], 4-17  
 Motor, Ele, 36 Vdc 1500 Rpm 1.5 Hp, 4-7  
 Motor, Ele, 36Vdc 0.08Hp 0068Rpm 04.5A, 3-31, 3-39  
 Motor, Ele, 36vdc 1.00hp 0300rpm, Gear (Standard) (See Breakdown), 2-49  
 Motor, Ele, 36vdc 1.50hp 0300rpm, Gear (Heavy Duty) (See Breakdown), 2-49  
 Motor, Ele, 36vdc 1.50hp 1500rpm 43.0a, 3-65, 3-83  
 Motor, Ele, 36vdc 1500rpm 1.5hp (See Breakdown) (Repl By 377398), 3-65

## CROSS REFERENCE

Motor, Ele, 36vdc 1500rpm 1.5hp (See Breakdown) (Repl By 377398AM), 3-83  
Motor, Ele, Vdc 3.0hp Traction,[201] (See Breakdown), 2-23  
Motor, Elect, 4-13  
Motor, Gear, 1.0Hp 36V, 4-10  
Motor, Gear, Ele, 1.0hp, 36vdc, 300rpm (See Breakdown), 3-47  
Motor, Gear, Ele, 1.5hp, 36vdc, 300rpm (Heavy Duty) (See Breakdown) (Replaced by 387585AM), 2-49  
Motor, Gear, Ele, 1.5Hp, 36Vdc, 300Rpm, 4-8, 4-9  
Motor, Hyd (See Breakdowns), 3-27  
Motor, Hyd, 4-14  
Motor, traction 36v, 4-6  
Motor, 4-11  
Mount, Cable Tie, 3-35, 3-43

### N

Nozzle, Spray, 3-125  
Nozzle, Wand, Plstc, 14.0lg, 3-131  
Nozzle, Water, 3-101  
Nut, Hex, Cplg, M08X1.25, 2-75  
Nut, Hex, Flng, .38-16, 2-59, 3-57  
Nut, Hex, Flng, M06 X 1.0, 2-73, 2-75, 3-13, 3-15  
Nut, Hex, Flng, M08 X 1.25, 2-9, 3-5, 3-7, 3-9, 3-11, 3-31, 3-35, 3-39, 3-43  
Nut, Hex, Flng, M10 X 1.5, 2-63, 3-111, 3-113, 3-115, 3-117  
Nut, Hex, Flng, M5 X 0.8, 2-82  
Nut, Hex, Flng, M5 X 0.80, 3-105  
Nut, Hex, Jam, .62-18, Ss, Lh, 3-63, 3-81  
Nut, Hex, Jam, .62-18, Ss, 3-63, 3-81  
Nut, Hex, Jam, M10 X 1.5, Ss, 2-63, 3-133, 3-135  
Nut, Hex, Jam, M20 X 1.5, 3-27  
Nut, Hex, Lock, .25-20, NI, 2-21  
Nut, Hex, Lock, .25-28, NI, 2-21  
Nut, Hex, Lock, .31-18, NI, Thin, 3-143  
Nut, Hex, Lock, .31-18, NI, 2-19, 3-25  
Nut, Hex, Lock, .44-20, NI, Thin, 2-39  
Nut, Hex, Lock, .50-13, NI, Ss, 2-63  
Nut, Hex, Lock, .62-18, NI, Thin, 2-51, 3-49, 3-63, 3-81  
Nut, Hex, Lock, #06-32, NI, 3-35  
Nut, Hex, Lock, M 4 X 0.7, NI Ss, 3-143  
Nut, Hex, Lock, M 4 X 0.7, NI, 2-33  
Nut, Hex, Lock, M 5 X 0.8, NI, 2-75  
Nut, Hex, Lock, M 5 X 0.8, NI, Ss, 3-143  
Nut, Hex, Lock, M 6 X 1.0, NI, 2-75, 2-82  
Nut, Hex, Lock, M 8 X 1.25 NI, 2-79  
Nut, Hex, Lock, M04 X 0.7, NI, Ss, 3-65, 3-83, 3-121  
Nut, Hex, Lock, M04 X 0.7, NI, 2-13, 3-101, 3-129  
Nut, Hex, Lock, M05 X 0.8, Ni, 2-9  
Nut, Hex, Lock, M05 X 0.8, NI, Ss, 2-43, 2-47, 3-63, 3-81, 3-103

Nut, Hex, Lock, M05 X 0.8, NI, 2-15, 2-73, 3-65, 3-83  
Nut, Hex, Lock, M06 X 1.0, NI, Ss, 2-39, 2-51, 2-53, 2-55, 2-57, 2-59, 2-61, 2-65, 3-51, 3-53, 3-55, 3-57, 3-61, 3-67, 3-69, 3-71, 3-79, 3-85, 3-87, 3-89, 3-97, 3-99, 3-127, 3-143  
Nut, Hex, Lock, M06 X 1.0, NI, 2-11, 2-15, 2-17, 2-21, 2-73, 3-13, 3-15  
Nut, Hex, Lock, M08 X 1.25, NI, Ss, 2-25, 2-29, 2-47, 2-49, 2-59, 2-61, 2-65, 2-67, 2-69, 3-47, 3-55, 3-57, 3-59, 3-61, 3-63, 3-81, 3-89, 3-101, 3-121, 3-127, 3-133, 3-135, 3-137, 3-139, 3-143, 3-145, 3-151, 3-153  
Nut, Hex, Lock, M08 X 1.25, NI, 2-9, 2-11, 2-17, 2-21, 2-23, 2-25, 2-39, 2-71, 2-77, 3-27, 3-31, 3-39, 3-67, 3-69, 3-85, 3-87  
Nut, Hex, Lock, M08-1.25, NI, Ss, 3-147  
Nut, Hex, Lock, M10 X 1.5, NI, SS, 3-65, 3-83  
Nut, Hex, Lock, M10 X 1.5, NI, Ss, 2-49, 2-63, 2-65, 3-16, 3-17, 3-47, 3-49, 3-81  
Nut, Hex, Lock, M10 X 1.5, NI, 2-21, 3-19, 3-21, 3-23, 3-35, 3-43  
Nut, Hex, Lock, M12 X 1.75, NI, 3-31  
Nut, Hex, Lock, M12 X 1.75, NI, Ss, 2-67, 2-69, 3-73, 3-75, 3-91, 3-93, 3-133, 3-135, 3-137, 3-139  
Nut, Hex, Lock, M12 X 1.75, NI, 2-17, 2-27, 3-27, 3-39  
Nut, Hex, Lock, M4 X 0.70, NI, Ss, 4-17  
Nut, Hex, Lock, M5 X 0.80, NI, 2-37  
Nut, Hex, Lock, M6X1.0, Ss, NI, 3-77, 3-95  
Nut, Hex, Lock, M8 X 1.25, NI, Ss, 3-49, 3-81, 3-149, 3-155  
Nut, Hex, Lock, M8 X 1.25, NI, 2-33, 3-105  
Nut, Hex, Sltd, 1.00-20, 2-27  
Nut, Hex, Std, .25-20, 2-73, 2-75  
Nut, Hex, Std, .25-28, 2-21  
Nut, Hex, Std, .31-24, 2-73, 2-75, 2-77, 2-79, 3-27, 3-35  
Nut, Hex, Std, .38-16, Ss, 3-73, 3-91  
Nut, Hex, Std, .50-20, 2-23  
Nut, Hex, Std, #10-32, 2, 2-73, 2-75, 2-77, 2-79, 3-27, 3-35  
Nut, Hex, Std, M06 X 1.0, 2-77  
Nut, Hex, Std, M08 X 1.25, Ss, 2-59, 2-61, 3-57, 3-61, 3-73, 3-75, 3-91, 3-93  
Nut, Hex, Std, M08 X 1.25, 2-77, 2-79  
Nut, Hex, Std, M10 X 1.25, 3-33, 3-41  
Nut, Hex, Std, M10 X 1.5, 2-21  
Nut, Hex, Std, M12 X 2.0, 3-49  
Nut, Retainer, .31-18, 2-57, 3-55, 3-71, 3-89  
Nut, Thumb, M6 X 30mm Dia, 3-125  
Nut, Wheel, M14-1.5, 2-23  
Nut, 4-3, 4-5

### O

Ohg Kit, Iron Gray, Ci [7300/8300], 3-21

### P

Pad, Buff, 16.0d, Red, 2-7  
Pad, Buff, 20.0d, Red, 2-5  
Pad, Polish, 16.0d, White, 2-7  
Pad, Polish, 20.0d, White, 2-5  
Pad, Scrub, 16.0d, Blue, 2-7  
Pad, Scrub, 20.0d, Blue, 2-5  
Pad, Strip, 16.0d, Brown, 2-7  
Pad, Strip, 20.0d, Brown, 2-5  
Pad, Stripping, 16.0d[Hi Prod,Black, 2-7  
Pad, Stripping, 20.0D[Hi Prod,Black, 2-5  
Pad, Surf Prep, 16.0d [Mar, 1pick=1pad], 2-7  
Pad, Surf Prep, 20.0D [Mar, 1Pick=1Pad], 2-5  
Pad, 2-25  
Panel Assy, Touch [7300], 2-15  
Panel Wldt, Front W/ Label, 2-13  
Panel, Instmt, 2-15  
Panel, Motor, Cover W/ Label, 2-23  
Panel, Motor, Cover, W/ Label, Teal, 2-23  
Pedal Assy, Foot (Replaced by 1042524), 2-21  
Pedal Assy, Propel, 36vdc, 2-21  
Pedal Wldt, Accelerator, 2-21  
Pedal, Brake, Parking, Iron Gray, 2-25  
Pin Wldt, Front, 2-67, 2-69, 3-133, 3-135, 3-137, 3-139  
Pin, Clevis, .625 Dia X 5.25l, 3-65, 3-83  
Pin, Clevis, 0.19 D X 0.63l, 2-65  
Pin, Clevis, 0.25 D X 2.44l, 2-65  
Pin, Clevis, 0.25d X 2.00l, 2-67, 2-69, 3-133, 3-135, 3-137, 3-139  
Pin, Clevis, 0.31 D X 0.75l, 2-27  
Pin, Clevis, 0.31 D X 0.88l, 3-59  
Pin, Clevis, 0.31 D X 1.00l, 2-25  
Pin, Clevis, 0.31d 0.88l, 2-59, 2-61, 3-57, 3-61, 3-73, 3-75, 3-91, 3-93  
Pin, Clevis, 0.37 D X 0.62l, 3-31, 3-39  
Pin, Clevis, 0.37 D X 0.75l, 3-73, 3-75, 3-91, 3-93  
Pin, Clevis, 0.37 D X 1.00l, 2-27, 2-59, 2-61, 3-57, 3-61  
Pin, Clevis, 0.37 D X 1.31l, 2-51, 3-49, 3-63, 3-81  
Pin, Clevis, 0.37 D X 1.50l, 2-59  
Pin, Clevis, 0.37 D X 2.00l, 2-57, 3-55, 3-71, 3-89  
Pin, Clevis, 0.37 D X 3.25l, 3-31, 3-39  
Pin, Clevis, 0.37 D X 4.00l, 3-33, 3-41  
Pin, Clevis, 0.38 D X 2.50l, 2-51, 3-49, 3-63, 3-81  
Pin, Clevis, 0.50 D X 1.75l, 2-47  
Pin, Clevis, 0.50 D X 1.87l, 2-57, 3-71  
Pin, Clevis, 0.50 D X 2.00l, 2-65  
Pin, Clevis, 0.50 D X 2.50l, 2-47, 2-51, 2-65, 3-49, 3-55, 3-63, 3-81  
Pin, Clevis, 0.50 D X 3.50l, 2-21

Pin, Clevis, 0.50 D X 4.00l, 3-33, 3-41  
 Pin, Clevis, 0.50 D X 5.50l, 2-47  
 Pin, Clevis, 0.75 D X 6.50l, 2-9  
 Pin, Cotter, .062 X 0.75, 2-13, 2-65, 2-67, 2-69, 3-133, 3-135, 3-137, 3-139  
 Pin, Cotter, .094 X 0.75, 2-25, 2-27, 2-51, 2-57, 2-65, 3-31, 3-33, 3-39, 3-49, 3-55, 3-63, 3-71, 3-81, 3-89  
 Pin, Cotter, .125 X 0.75, 2-51, 3-49, 3-63, 3-81  
 Pin, Cotter, .125 X 1.00, 2-21, 2-47, 2-51, 2-57, 3-33, 3-41, 3-49, 3-55, 3-63, 3-71, 3-81  
 Pin, Cotter, .156 X 1.25, 2-9  
 Pin, Hair Cotter, 0.31 D .058 Wir, 3-73, 3-75, 3-91, 3-93  
 Pin, Hair Cotter, 0.38 D .072 Wir, 2-59, 2-61, 3-57, 3-59, 3-61  
 Pin, Hair Cotter, 0.62 D .120 Wir, 3-31, 3-39, 3-65, 3-83  
 Pin, Hinge, Cover, 2-29  
 Pin, Prong, 2-81  
 Pin, Roll, .250 D X 0.75l, .250/.256, 2-59, 2-61, 3-57, 3-61, 3-73, 3-75, 3-91, 3-93  
 Pin, Roll, .250 D X 1.50l, .250/.256, 2-27  
 Pin, Roll, .250 D X 2.00l, .250/.256, 3-31, 3-39  
 Pin, Roll, .310 D X 0.75l, .312/.318, 2-23  
 Pin, Valve, Strg, 4-15  
 Pin, 2-17, 2-67, 2-69, 3-133, 3-135, 3-137, 3-139, 4-15  
 Piston, 4-11  
 Pivot Wldt, Guard, 2-67, 3-133, 3-137  
 Pivot Wldt, Sqge Caster, 2-63  
 Plate Assy, Orifice, 0.010ld, Purple, 4-19  
 Plate Wldt, Floor, 2-9  
 Plate Wldt, Mtg, Idler, 2-17  
 Plate Wldt, Pivot, Guard, Iron Gray, 2-69, 3-135, 3-139  
 Plate Wldt, Stop, Iron Gray, 3-63, 3-81  
 Plate, Adapter, Brush, 3-31, 3-39  
 Plate, Controlbox, Iron Gray, 2-71  
 Plate, Controlbox, 2-71  
 Plate, Cover, Iron Gray, 2-9  
 Plate, Cover, 2-9  
 Plate, Floor, Iron Gray, 2-9  
 Plate, Floor, Upper, Iron Gray, 2-9  
 Plate, Floor, Upper, 2-9  
 Plate, Floor, 2-9  
 Plate, Hinge, Iron Gray, 2-13  
 Plate, Hinge, 2-13  
 Plate, Iron Gray, 2-13, 3-31, 3-39  
 Plate, Mtg, Contactor, Iron Gray, 3-27, 3-35  
 Plate, Mtg, Contactor, 3-27, 3-35  
 Plate, Mtg, Hyd, Iron Gray, 3-27  
 Plate, Mtg, Tank, Detgt, Iron Gray, 3-121  
 Plate, Orifice, 0.067id, 2-31  
 Plate, Orifice, 0.086id, 2-31  
 Plate, Seat, Iron Gray, 2-19  
 Plate, Slide, 2-65, 3-133, 3-135  
 Plate, Stop, 2-25  
 Plate, Wand, Clean-Out, Iron Gray, 3-101

Plate, Wear, 4-15  
 Plate, 2-13  
 Plug, Cap, 2-29, 2-41  
 Plug, Drive, Brush, Spl, Iron Gray, 3-65, 3-83  
 Plug, Drive, Brush, Splined, 3-83  
 Plug, Hole, Rnd, 0.44h .03-.12, Blk Nyl, 3-99  
 Plug, Hole, Rt, Rocker Switch, .87 X 1.7, 3-99  
 Plug, Orifice, 0.052, Ss [FaST II+], 4-19  
 Plug, Qm, .25npt, 3-125  
 Plug, Rbr, 2-71, 2-81  
 Plug, Resistor, 2-103  
 Plug, 2-23, 3-125  
 Powerunit, Hyd, 36vdc (See Breakdowns), 3-27  
 Powerunit, Hyd, 36Vdc, 4-13  
 Pump Assy, Power Wand (See Breakdown), 3-127  
 Pump assy, 4-13  
 Pump kit, power wand, 4-11  
 Pump screw, 4-11  
 Pump, Air, Ele, 36vdc, 2-33  
 Pump, Detgt, 36vdc (See Breakdown), 3-121  
 Pump, Detgt, 560s, 2-33  
 Pump, Metering Solution, 4-12  
 Pump, Soltn, 36vdc, 65psi [Fast li+], 2-37  
 Pump, Soltn, Ele, 36vdc (See Breakdowns), 3-105  
 Pump, Soltn, Ele, 36vdc, 2-31, 4-18  
 Pump, Solution, Impeller, 36vdc, 3-99

**R**

Race Thrust, 4-14  
 Rail Wldt, Lift, Cyl Head, Iron Gray, 3-71, 3-89  
 Rail Wldt, Lift, Disk Head, Iron Gray, 2-57, 3-55  
 Rail, 2-19  
 Relay, 36vdc, 5a, Spdt, [Greenwich], 3-13, 3-15  
 Relay, 36vdc, 05a, Spdt N/O [Greenwich], 2-82  
 Relay, 36Vdc, 005A, Spdt No [Greenwich], 2-83  
 Relay, 36vdc, 100a, Sp N/O [White], 2-75, 3-35  
 Replacement Kit, Bellows, 4-12  
 Reservoir, 4-13  
 Resistor, 040.00 Ohm, 40watt, 2-75  
 Resistor, 040.00ohm, 40watt, 2-73  
 Resistor, 011.00 Ohm, 0040Watt [5%], 3-105  
 Retainer, Blade, Front, 3-59  
 Retainer, Brg, Iron Gray, 3-65, 3-83  
 Retainer, Spring, 2-21  
 Retainer, Sqge, 2-59, 2-61, 3-57, 3-59, 3-61, 3-73, 3-75, 3-91, 3-93  
 Return Spring-Brakes, 2-27  
 Ring, Brush, 4-7

Ring, Mtg, Sqge, .50l, 2-67, 2-69, 3-133, 3-135, 3-137, 3-139  
 Ring, Retainer, Valve, Strg, 4-15  
 Ring, Retaining, Ext, 0.59d, Basic, 2-63  
 Ring, Retaining, Ext, 0.75d, Hd, 3-65, 3-83  
 Ring, Retaining, Ext, 0.75d, Ss, 2-43, 3-103  
 Ring, Retaining, Ext, 2-67, 2-69, 3-133, 3-135, 3-137, 3-139  
 Ring, Retaining, Int, 1.85d, Basic, 3-65, 3-83  
 Rivet, Plstc, .25 D X 0.75, 2-9  
 Rivet, Plstc, .250 X 0.898, 2-49, 3-47, 3-129, 3-131  
 Rivet, Pop, 3-125  
 Rod Wldt, 2-39  
 Rod, Link, 3-63, 3-81  
 Rod, Rear Door, 2-13  
 Rod, Thrd, 2 End M10x1.5 07.4, 2-63  
 Rod, Thrd, 2 End, .25-28 04.4l, 2-21  
 Rod, Thrd, Full, .25-20 01.5l, 2-73, 2-75  
 Rod, Threaded, 2-27  
 Rod-End, .62-18rh Fem 0.50-18stud, 3-63, 3-81  
 Rod-End, .625-18, Lh, 3-63, 3-81  
 Rod-End, M10 X 1.5rh Fem M10 X 1.5stud, 2-63  
 Rod, 2-13  
 Roller, 2-51, 2-57, 3-49, 3-55, 3-63, 3-71, 3-81, 3-89

**S**

Screen Wldt, 3-79, 3-97  
 Screen, 50 Mesh, Ss, 2-31  
 Screen, Filter, 80 Mesh, 2-35  
 Screen, Pump, 3-121  
 Screw, Adjuster, 4-13  
 Screw, Btn, M08 X 1.25 X 25, Ss, 3-35, 3-43  
 Screw, Cap, 4-15  
 Screw, Flat, M06 X 1.0 X 20, 10.9, 2-15  
 Screw, Flt, #06-32 X 0.38, Al, 3-35  
 Screw, Flt, M10 X 1.5 X 20, 10.9, 3-33, 3-41  
 Screw, Flt, Phil, 10-32 X 0.31, 4-17  
 Screw, Hex, .25-20 X 0.38, 5, 2-73  
 Screw, Hex, .25-20 X 0.75, Sems, 3-73, 3-75, 3-91, 3-93  
 Screw, Hex, .31-18 X 1.00, Ss, NI, 2-49, 3-47  
 Screw, Hex, .38-16 X 1.00, NI, 2-49, 3-47  
 Screw, Hex, .50-13 X 0.75, 5, 3-13, 3-15  
 Screw, Hex, .50-13 X 3.00, Ss, 2-63  
 Screw, Hex, #10-24 X 0.50, Ss, 2-39  
 Screw, Hex, M 5 X 0.8 X 12, 8.8, 2-75  
 Screw, Hex, M 6 X 1.0 X 16, 8.8, 2-75  
 Screw, Hex, M 6 X 1.0 X 16, Fmg, 3-59, 3-79, 3-97  
 Screw, Hex, M 6 X 1.0 X 20, NI, 2-75  
 Screw, Hex, M 6 X 1.0 X 40, Ss, 2-79  
 Screw, Hex, M 8 X 1.25 X 20, 8.8, 2-79  
 Screw, Hex, M 8 X 1.25 X 30, 8.8, 2-11

## CROSS REFERENCE

- Screw, Hex, M04 X 0.7 X 12, 8.8, 3-101  
Screw, Hex, M04 X 0.7 X 20, 8.8, 3-129  
Screw, Hex, M05 X 0.8 X 12, 8.8, 2-73  
Screw, Hex, M05 X 0.8 X 12, Ss, 3-65, 3-83  
Screw, Hex, M05 X 0.8 X 16, 8.8, 2-71  
Screw, Hex, M05 X 0.8 X 25, Ss, 2-43, 2-47, 3-103  
Screw, Hex, M06 X 1.0 X 12, Ss, 3-73, 3-75, 3-79, 3-91, 3-93, 3-97  
Screw, Hex, M06 X 1.0 X 16, 8.8, 2-73, 2-81, 3-27, 3-35  
Screw, Hex, M06 X 1.0 X 16, Fmg, 2-9  
Screw, Hex, M06 X 1.0 X 16, Ss, 2-53, 2-55, 3-51, 3-53, 3-65, 3-67, 3-69, 3-83, 3-85, 3-87, 3-99  
Screw, Hex, M06 X 1.0 X 20, 8.8, 2-11, 2-25, 3-13, 3-15  
Screw, Hex, M06 X 1.0 X 20, Fmg, 2-47  
Screw, Hex, M06 X 1.0 X 20, Ss, 2-51, 2-59, 2-61, 2-65, 3-31, 3-39, 3-55, 3-57, 3-61, 3-79, 3-97  
Screw, Hex, M06 X 1.0 X 25, 8.8, 2-21  
Screw, Hex, M06 X 1.0 X 25, Ss, 2-15, 2-39, 3-99, 3-127  
Screw, Hex, M06 X 1.0 X 35, 8.8, 2-17  
Screw, Hex, M06 X 1.0 X 35, Ss, 3-143  
Screw, Hex, M06 X 1.0 X 40, Ss, 2-57, 2-77, 3-55, 3-71, 3-89  
Screw, Hex, M06 X 1.0 X 50, 8.8, 3-13, 3-15  
Screw, Hex, M06 X 1.0 X 20, 8.8, 2-9  
Screw, Hex, M06 X 1.0 X 20, Fmg, 2-9  
Screw, Hex, M06 X 1.0 X 20, Ss, 3-71, 3-89  
Screw, Hex, M06 X 1.25 X 25, Ss, NI, 2-57  
Screw, Hex, M06-1.0 X 12, Fmg, 2-21  
Screw, Hex, M08 X 1.25 X 12, 8.8, 2-17  
Screw, Hex, M08 X 1.25 X 16, 8.8, 2-17, 2-23, 2-39  
Screw, Hex, M08 X 1.25 X 16, Ss, NI, 2-11, 3-101  
Screw, Hex, M08 X 1.25 X 16, Ss, 2-19, 2-41, 2-45, 3-67, 3-69, 3-85, 3-87, 3-99  
Screw, Hex, M08 X 1.25 X 20, 8.8, 2-11, 2-17, 2-23, 2-71, 2-77, 3-27, 3-33, 3-41  
Screw, Hex, M08 X 1.25 X 20, Ss, NI, 2-29, 2-41, 2-53, 2-55, 3-51, 3-53, 3-129  
Screw, Hex, M08 X 1.25 X 20, Ss, 2-13, 2-41, 3-49, 3-143, 3-145, 3-151, 3-153  
Screw, Hex, M08 X 1.25 X 25, 8.8, 3-5, 3-7, 3-9, 3-11, 3-31, 3-39  
Screw, Hex, M08 X 1.25 X 25, Ss, NI, 2-59, 2-61, 3-55, 3-57, 3-61  
Screw, Hex, M08 X 1.25 X 25, Ss, 2-13, 2-49, 2-63, 2-65, 3-47, 3-63, 3-81, 3-99, 3-127, 3-133, 3-135  
Screw, Hex, M08 X 1.25 X 30, 8.8, 2-17  
Screw, Hex, M08 X 1.25 X 30, Ss, 2-29, 3-101  
Screw, Hex, M08 X 1.25 X 35, 8.8, 2-25  
Screw, Hex, M08 X 1.25 X 35, Ss, 2-59, 2-61, 3-57, 3-61, 3-121, 3-143  
Screw, Hex, M08 X 1.25 X 40, 8.8, 3-27, 3-35  
Screw, Hex, M08 X 1.25 X 40, Ss, 2-25  
Screw, Hex, M08 X 1.25 X 45, Ss, 2-57, 3-55, 3-71, 3-89  
Screw, Hex, M08 X 1.25 X 60, Ss, 3-55, 3-89  
Screw, Hex, M08 X 1.25 X 70, Ss, 2-67, 2-69, 3-133, 3-135, 3-137, 3-139  
Screw, Hex, M08 X 1.25 X 100, Ss, 2-67, 2-69, 3-137, 3-139  
Screw, Hex, M08 X 1.25 X 130 Ss, 3-133, 3-135  
Screw, Hex, M08 X 1.25 X 16, 8.8, 2-9  
Screw, Hex, M08 X 1.25 X 160, 8.8, 2-47  
Screw, Hex, M08 X 1.25 X 20, 8.8, 2-9  
Screw, Hex, M08 X 1.25 X 20, Ss, 2-9, 3-81  
Screw, Hex, M08 X 1.25 X 25, Ss, 3-49, 3-81  
Screw, Hex, M08-1.25 X 20, Ss, 3-147  
Screw, Hex, M08-1.25 X 40, Ss, 2-17  
Screw, Hex, M08x1.25 X12,Ss, 3-73, 3-75, 3-91, 3-93  
Screw, Hex, M10 X 1.5 X 16, 8.8, 3-27  
Screw, Hex, M10 X 1.5 X 20, 8.8, 3-19, 3-21, 3-23  
Screw, Hex, M10 X 1.5 X 20, Ss, 3-65, 3-83  
Screw, Hex, M10 X 1.5 X 25, 8.8, 3-31, 3-39  
Screw, Hex, M10 X 1.5 X 25, Ss, 2-49, 3-16, 3-17, 3-19, 3-21, 3-35, 3-43, 3-47, 3-49, 3-81  
Screw, Hex, M10 X 1.5 X 30, Ss, 2-65, 3-65, 3-83  
Screw, Hex, M10 X 1.5 X 35, 8.8, 2-21, 3-111, 3-113, 3-115, 3-117  
Screw, Hex, M10 X 1.5 X 35, Ss, 2-29, 2-41  
Screw, Hex, M10 X 1.5 X 40, 8.8, 2-17  
Screw, Hex, M10 X 1.5 X 60, 8.8, 2-21  
Screw, Hex, M10 X 1.5 X 60, Ss, 2-63, 2-65  
Screw, Hex, M10 X 1.5 X 30, Ss, 2-63  
Screw, Hex, M12 X 1.75 X 40, 8.8, 3-49  
Screw, Hex, M12 X 1.75 X 25, 8.8, 2-23  
Screw, Hex, M12 X 1.75 X 30, Ss, 2-67, 2-69, 3-133, 3-135, 3-137, 3-139  
Screw, Hex, M12 X 1.75 X 40, 8.8, 2-27  
Screw, Hex, M12 X 1.75 X 50, Ss, 3-73, 3-75, 3-91, 3-93  
Screw, Hex, M12 X 1.75 X 80, 8.8, 3-31, 3-39  
Screw, Hex, M4 X 0.7 X 12, 8.8, 2-33  
Screw, Hex, M4 X 0.70 X 50, Ss, 4-17  
Screw, Hex, M5 X 0.8 X 16, Ss, 3-143  
Screw, Hex, M5 X 0.8 X 16, 8.8, 2-82  
Screw, Hex, M5 X 0.8 X 20, 8.8, 2-31  
Screw, Hex, M5 X 0.80 X 12, 8.8, 2-37, 2-83, 3-105  
Screw, Hex, M6 X 1.0 X 16, 8.8, 2-31, 2-33  
Screw, Hex, M6 X 1.0 X 30, 8.8, 2-82  
Screw, Hex, M6 X 1.0 X 12, Fmg, 3-111, 3-113, 3-115, 3-117  
Screw, Hex, M6 X 1.00 X 12, Ss, 3-111, 3-113, 3-115, 3-117  
Screw, Hex, M6 X 1.00 X 16, 8.8, 2-37  
Screw, Hex, M6 X 1.00 X 20, 8.8, 2-45  
Screw, Hex, M6 X 1.00 X 20, 9.8, Sems, 3-105  
Screw, Hex, M6 X 1.00 X 25, Fmg, 2-21  
Screw, Hex, M6X1.0X16, Ss, NI, 3-27  
Screw, Hex, M6X1.0X20, Ss, 3-77, 3-95  
Screw, Hex, M8 X 1.25 X 16, Ss, NI, 3-69, 3-87  
Screw, Hex, M8 X 1.25 X 20, 8.8, 2-33  
Screw, Hex, M8 X 1.25 X 25, Ss, 2-33  
Screw, Hex, M8 X 1.25 X 16, 8.8, 2-37, 3-105  
Screw, Hex, M8 X 1.25 X 20, Ss, 3-149, 3-155  
Screw, Hex, M8 X 1.25 X 25, 9.8, Sems, 3-105  
Screw, Hex, M8 X 1.25 X 30, 8.8, 3-105  
Screw, Hex, M8 X 1.25 X 50, 8.8, 3-49, 3-81  
Screw, Hex, 3-71  
Screw, Mtg, 4-13  
Screw, Pan, .25-20 X 1.00, 2, 2-21  
Screw, Pan, .31-18 X 0.75, G1, 2-19  
Screw, Pan, #06-32X0.38, 1, 2-71  
Screw, Pan, #10-14 X 0.75, F/Plstc, 3-101  
Screw, Pan, #10-14 X 0.75, F/Plstc, 3-5, 3-7, 3-13, 3-15  
Screw, Pan, #10-14X0.75, F/Plstc, 3-131  
Screw, Pan, #12-16 x 0.50, F/Plstc, 3-164  
Screw, Pan, M 4 X 0.7 X 6, 4.8, 2-75  
Screw, Pan, M 5 X 0.8 X 6, 4.8, 2-75  
Screw, Pan, M04 X 0.7 X 10, Ss, 2-13  
Screw, Pan, M04 X 0.7 X 20, Ss, 3-121  
Screw, Pan, M04 X 0.7 X 30, 4.8, 2-73  
Screw, Pan, M04 X 0.7 X 35, Ss, 2-5, 3-65, 3-83, 3-143  
Screw, Pan, M04 X 0.7 X 35, Ss, 2-7  
Screw, Pan, M05 X 0.8 X 6, 4.8, 2-21  
Screw, Pan, M05 X 0.8 X 25, Ss, 3-63, 3-81  
Screw, Pan, M06 X 1.0 X 10, Ss, 3-65, 3-83  
Screw, Pan, M06 X 1.0 X 35, Ss, 2-5  
Screw, Pan, M06 X 1.0 X 35, Ss, 2-7  
Screw, Pan, Phl, .31-18 X 1.00, G2, 2-19  
Screw, Pan, Phl, M5 X 0.80 X 16, Tcut,Ss, 4-17  
Screw, Set, .31-18 X 0.50, Soc, 2-17  
Screw, Set, #10-32 X 0.38, Al, 3-65, 3-83  
Screw, Soc, M08 X 1.25 X 25, 12.9, 2-21, 2-57, 3-89

- Screw, Soc, M08 X 1.25 X 60, 12.9, 2-23  
 Screw, Soc, M08 X 1.25 X 80, 12.9, 2-23  
 Screw, Soc, M12 X 1.75 X 45, 3-27  
 Screw, 4-3, 4-11, 4-14  
 Seal connector, 4-11  
 Seal kit, 4-11  
 Seal, Bulb, [Sd-168], 12.50l, 2-23  
 Seal, Bulb, [Sd-504], 15.52l, 2-23  
 Seal, Bulb, [Sd-504], 27.90l, 2-23  
 Seal, Bulb, [Sd-504], 48.70l, 2-11  
 Seal, Cup, Lower, 4-13  
 Seal, Cup, Upper, 4-13  
 Seal, Fan, 4-3, 4-5  
 Seal, O-Ring, .139 X 2.98id, 2-23  
 Seal, O-Ring, 2-23  
 Seal, Rbr, Clsd, 0.25th, 5.8d 03.3h, 2-2, 2-3, 2-45  
 Seal, Rbr, Clsd, 0.375, 5.0D 2.5H, 2-45  
 Seal, Wire, 14/16ga [Wp / Mp280 Sealed], 4-18  
 Seal, 2-43, 3-103, 4-6  
 Seat (Replaced by 9005082), 2-19  
 Seat, Std [Michigan, Model V-2505], 2-19  
 Seat, Suspension, 3-25  
 Seatbelt, 3-23  
 Sensor, Level, Liquid [Magnetic], 2-41, 3-101  
 Sensor, Level, Liquid, 14vdc 01a .62-11, 2-41  
 Sensor, Pedal Position, 2-21  
 Sensor, Position, Pedal, 2-21  
 Shaft, Drive, Brush, 3-65, 3-83  
 Shaft, Output, 4-14  
 Shaft, Steering, Lower, 2-17  
 Shaft, Steering, Upper, Mach, .75d 24.1l, 2-17  
 Shaft, Steering, 2-17  
 Shaft, Threaded, 3-33, 3-41  
 Shaft, 2-27  
 Shell, 4-3, 4-5  
 Shoe, Plstc, Sqge, 14inch, 3-131  
 Shunt, 2 Hd Motor, Red [SCB 515] (For Heavy Duty Motor), 2-57  
 Shunt, 2 Std Motor, Blk [SCB 515] (For Standard Motor), 2-57  
 Shunt, 2Hd Mtrs, Scrub 515, Red, 3-71, 3-89  
 Shunt, 3 Std Mtrs, Scrub 515, Yellow, 3-55  
 Skirt, Front, Scrub Head, 2-Brush, Ele, 2-2, 2-49  
 Skirt, Front, Scrub Head, 3-Brush, Ele, 2-2, 3-47  
 Skirt, Rear, Scrub Head, 2-Brush, Ele, 2-2, 2-49  
 Skirt, Rear, Scrub Head, 3-Brush, Ele, 2-2, 3-47  
 Skirt, Side, Scrbr Head, Ele, 2-2  
 Skirt, Side, Scrub Head, 2-Brush, Ele, 2-49  
 Sleeve, .335b X .62d X .52l, Sst, 3-57, 3-61  
 Sleeve, .38b X .75d X 1.5l, Bronze, 2-47  
 Sleeve, 0.32b 0.50d 0.3l, 2cham, Ss, 2-37  
 Sleeve, 0.62d 0.34b 1.19l Bnz, 3-133, 3-135  
 Sleeve, Nyl, #15 14.0l, 2-77, 2-79  
 Sleeve, P/M, 0.44b 0.75d 0.5l [430ss], 3-133, 3-135  
 Sleeve, P/M, 0.625d 0.335b 0.52l Ss, 2-59, 2-61  
 Sleeve, P/M, 0.625d 0.406b 0.38l 430ss, 3-33  
 Sleeve, P/M, 0.745d 0.438b 0.50l 430ss, 2-65  
 Sleeve, Support, Tilt, 2-17  
 Sleeve, 2-13, 2-25, 2-41, 2-57, 2-59, 2-61, 2-65, 2-67, 2-69, 3-31, 3-39, 3-55, 3-57, 3-61, 3-71, 3-89, 3-133, 3-135, 3-137, 3-139  
 Spacer, .41b .63d .13l, Ss 430pm, 2-63  
 Spacer, Battery, Lh, Iron Gray, 3-149, 3-153, 3-155  
 Spacer, Battery, Lh, 3-151  
 Spacer, Battery, Rear, Iron Gray, 3-149, 3-151, 3-153, 3-155  
 Spacer, Battery, Rh, Iron Gray, 3-149, 3-153, 3-155  
 Spacer, Battery, Rh, 3-151  
 Spacer, Battery, Stl, Iron Gray, 3-147  
 Spacer, Flanged, 3-33, 3-41  
 Spacer, Latch, Filter, 2-41  
 Spacer, Plate, 3-49, 3-63, 3-81  
 Spacer, Rnd, .38B .88D .63L, 2-19  
 Spacer, Rod-End, 3-63, 3-81  
 Spacer, Washer, 2-51, 3-49, 3-63, 3-81  
 Spacer, 2-21, 4-3, 4-5, 4-14, 4-15  
 Spring, Bearing, 4-7  
 Spring, Brush, 4-8, 4-9  
 Spring, brush, 4-6  
 Spring, Cmpr, 0.36od .04wir 2.5l, 2-13  
 Spring, Cmpr, 1.5 Od .75id X 2.5l, 2-47  
 Spring, Cmpr, .87od .042wir 2.0l, 2-67, 2-69, 3-133, 3-135, 3-137, 3-139  
 Spring, Compression, 3-125  
 Spring, Cover, 2-29  
 Spring, Die, 1.00od 0.50id 1.25l, 3-31, 3-39  
 Spring, Die, 1.00od 0.50id 2.00l, 2-63  
 Spring, Extn, 0.75od X 0.09wir, 2.5l, 2-59, 2-61, 3-57, 3-61, 3-73, 3-75, 3-91, 3-93  
 Spring, Extn, 1.00od X 0.11wir, 5.5l, 2-25  
 Spring, Extn, 1.10od X 0.15wir, 3.2l, 3-31, 3-39  
 Spring, Extn, 1.69od X 0.20wir, 9.5l, 2-65, 3-133, 3-135  
 Spring, load, 4-3  
 Spring, Motor, Iron Gray, 3-65, 3-83  
 Spring, Tors, 0.75id .06wir 02.8coil, 2-25  
 Spring, Torsion, 2-17  
 Spring, Wir, 0.16d, Brush Retaining, 2-5, 2-7  
 Spring, 3-13, 3-15, 4-5, 4-7, 4-13  
 Sprocket Wldt, #40, 96tooth, 7.00 B, 2-23  
 Sprocket, #40 24-Tooth, 3-27  
 Sprocket, #40, 10tooth, 0.750b, 2-17  
 Sprocket, #40, 10tooth, 0.787b, 2-17  
 Sprocket, Timing, 23tooth, 0.625b, 3-65, 3-83  
 Sprocket, Timing, 4.261pd, 68 Grv, Pl, 3-65, 3-83  
 Squeegee Assy Kit, Rear, Ci [Mp1000], 2-69, 3-139  
 Squeegee Assy Kit, Rear, Ci [Mp1200], 3-135  
 Squeegee, Side, Ure, [7300/830], 3-140, 3-141  
 Squeegee, Side, 2-2, 2-3, 2-59, 2-61, 3-57, 3-61, 3-73, 3-75, 3-91, 3-93  
 Stand-Off, 1.25, Metal, 3-35  
 Stand-Off, 1.25, Plstc, 3-35  
 Stationary Fan, 4-5  
 Steer-Control, Hyd (Replaced by 387653), 3-27  
 Steer-Control, Hyd (See Breakdowns), 3-27  
 Steer-Control, Hyd, 4-15  
 Stop Wldt (Replaced by 398454), 3-143  
 Stop Wldt, Iron Gray, 3-143  
 Strainer, Pump, Es, 3-101  
 Strainer, Soltn, Switch Guard (Repl By 1019285), 3-101  
 Strainer, Soltn, Switch Guard (Repl. By 387649), 2-41  
 Strainer, Tank, Solution, 3-101  
 Strap, 2-43, 3-103  
 Strip, Nonslip, 2-67, 2-69, 3-133, 3-135, 3-137, 3-139  
 Strip, Retainer, 3-125  
 Strip, Stl, 0.05th X 00.75w, 07.80l, 2-21  
 Stud, .31-18 2.75l M8 X 1.25, Ss, 2-67, 2-69, 3-133, 3-135, 3-137, 3-139  
 Stud, Adj, 3-125  
 Stud, Ball, .39d .31-16, Gasspring, 2-57, 3-55, 3-71, 3-89  
 Support Wldt, Iron Gray, 2-65  
 Support Wldt, 2-65  
 Switch Assy, Dual Press, 14" Tube, 3-101  
 Switch Assy, Press, 3 Inch, 8" Tube, 3-101  
 Switch Assy, Press, 4 Inch, 2-41  
 Switch assy, 4-11  
 Switch, Limit, No, 3-143  
 Switch, No (Replaced by 398454), 3-143  
 Switch, Press, 25 Psi, Pm02, 3-105  
 Switch, Rocker, 36vdc 05a Progressive, 2-82  
 Switch, Rocker, Prgrsv, 2-83, 3-107  
 Switch, Rocker, Spst, Mom, 4-17  
 Switch, Rocker, 2-15, 3-5, 3-7, 3-9, 3-11, 3-129  
 Switch, Safety, Shutoff, 2-15  
 Switch, Seat, No [Delta 6440-04], 2-19  
 Switch, Seat, 2-19  
 Switch, Start, 2-15  
 Switch, Vacuum, Dual Level, 2-45  
 Switch, 2-15

## CROSS REFERENCE

### T

Taillight, 12vdc, 3.6 X 1.9, Rework 87277, 2-9  
Tank Kit, Recvy, W/ Label, Replmt [7300], 2-41  
Tank Kit, Recvy, W/ Label, Teal, Replmt, 2-41  
Tank Kit, Soltn, W/ Label, Replmt [7300], 2-29  
Tank Kit, Soltn, W/ Label, Teal, Replmt, 2-29  
Tank, Detergent, 3-121  
Tape, Foam, 2-81  
Terminal female, 4-11  
Terminal, [Metripk630], Fem 10, 4-7  
Terminal, Fem, Mp280, Sealed, 18-16ga, 4-18  
Terminal, Female, 4-3, 4-5  
Terminal, 4-8, 4-9, 4-10  
Tie, Cable, Nyl, 07.3l .19w 1.8 Max D, 2-19, 2-53, 2-55, 3-5, 3-7, 3-13, 3-35, 3-43, 3-51, 3-53, 3-101, 3-129  
Tie, Cable, Nyl, 11.4l .19w 3.0 Max D, 2-49, 3-47  
Tie, Cable, Nyl, 14.5l .30w 4.0 Max D, 2-53, 2-55, 3-51, 3-53  
Tie, Cable, Nyl, 28.5l .50w 8.0 Max D, 2-77, 2-79  
Timer, 9-41vdc, Recycling, 2-82  
Tire Assy, 16 X 5 X 12.12, 2-2, 2-27  
Tire Assy, Solid, 16.2X6.0 5.7Bc/5 Bolt, 2-23  
Tire Assy, Solid, 16.2x6.0 5.7bc/5bolt, 2-2  
Tire, Solid, 16.2X6.0X11.2, 2-23  
Tray Wldt, Battery, 500Ah, 750Ah, 3-156  
Tray Wldt, Power Wand, Iron Gray, 3-129  
Tray Wldt, Power Wand, 3-129  
Tray, Debris, 40.0l, 3-79  
Tray, Debris, 40L, W/Holes, 3-77  
Tray, Debris, 48.0l, 3-97  
Tray, Debris, 48L, W/Holes, 3-95  
Tread, Floor, 12.5 X 5.75, 3-49, 3-81  
Tread, Non Skid, 2.2w 11.5l, 2-21  
Tread, Non-Skid, 02.2 11.5, 2-21  
Tread, Non-Skid, 06.0w X 15.5l, 2-21  
Tread, Non-Skid, 2-21  
Tread, Step, 3-49  
Tube Assy, 2 Inch, 2-41  
Tube Assy, Spray Bar 40" [7300/8300], 3-69  
Tube Wldt, Upper, Iron Gray, 3-79, 3-97  
Tube Wldt, Vacuum, Scrbr Head, Iron Gray, 3-79, 3-97  
Tube Wldt, 3-59, 3-79, 3-97  
Tube, 0.34id 0.62od 00.2l, Stl, 3-105  
Tube, 0.69ld 1.25Od 00.4L, Blk, Rod-End, 3-81  
Tube, 0.69ld 1.25Od 00.4L, Rod-End, Gray, 2-51  
Tube, 0.69id 1.25od 00.4l, Rod-End, Gray, 3-49, 3-63  
Tube, Guard, Oprtr, Pnt, Lh, 3-19  
Tube, Guard, Oprtr, Pnt, Rh, 3-19

Tube, Ohg, Oprtr, Lh, Pntd, Iron Gray, 3-21  
Tube, Ohg, Oprtr, Rh, Pntd, Iron Gray, 3-21  
Tube, Pvc, Shc80, Clear, 4.0l, 2-35  
Tube, Wand, Vacuum, Metal, 3-131

### V

Vacuum Fan, 4-5  
Valve Kit, Pump, 4-12  
Valve, Ball, Drain, 1.50ID, Ss, Rwk, 3-111, 3-113, 3-115, 3-117  
Valve, Check, 2 Gpm 0.5psi Bm04/Bm04, 2-33  
Valve, Check, 2 Gpm 3" 06bm/08bm, 2-31  
Valve, Check, 0002psi [Fast li+], 4-19  
Valve, Check, 0005psi [Fast li+], 4-19  
Valve, Check, 0005psi Bm06/Bm08, 2-37  
Valve, Check, 0030psi Pm04/Pf04, 3-105  
Valve, Flow Control, Hose Adapter, 3-101  
Valve, Solenoid, 0.25" Orifice, 24vdc, 4-17  
Valve, Solenoid, 36vdc, 3-99  
Valve, Vent, Air, Float Type, 3-105  
Valve, Water, 36vdc, 6.0mm, 04pf, 2-31  
Valve, Water, Solenoid, 36vdc 6.0mm Pf04, 2-37  
Valve, Water, 2-39, 2-53, 2-55, 3-51, 3-53, 3-67, 3-69, 3-85, 3-87, 3-125  
Video, Operator, Vhs, Ntsc [7300], 3-165  
Video, Oprtr, Training, Dvd [7300], 3-165

### W

Wand, Clean-Out, 3-101  
Wand, 3-125  
Washer, 0.25b 1.12d .12, Ss, 3-65, 3-83  
Washer, .625 B, 2.50 Od, .211 T, Ss, 3-31, 3-39  
Washer, 0.31b 0.88d .12, Rbr, 2-29, 3-101  
Washer, 0.40B 1.12D .12, Stl, Pl, 3-63, 3-81  
Washer, 0.40b 1.12d .12, Stl, Pl, 2-45  
Washer, 0.53b 1.88d .12, Stl, Pl, 2-67, 2-69, 3-133, 3-135, 3-137, 3-139  
Washer, 0.60b 1.31d .10, Ss, 2-63  
Washer, 0.81b 1.24d .03, Stl, Pl, 3-33, 3-41  
Washer, Belleville, .31, 2-49, 3-47  
Washer, Belleville, .38, 2-23  
Washer, Finish, M06, Pl, 2-15  
Washer, fl neo, 10.8x22x1.5, 4-3  
Washer, Flat, .25 Sae, 3-35  
Washer, Flat, .31 Fender, 2-17  
Washer, Flat, .31 Sae, 3-35  
Washer, Flat, .31 Ss, 3-35, 3-43, 3-147  
Washer, Flat, .38 Ss, 3-31, 3-35, 3-43  
Washer, Flat, .38 Std, 2-65, 3-39  
Washer, Flat, #06, 2-33  
Washer, Flat, #10 Ss, 2-75, 3-143  
Washer, Flat, #10, 2-31

Washer, Flat, 0.25 Sae, 2-75, 3-59, 3-79, 3-97  
Washer, Flat, 0.25 Ss, 2-79, 3-77, 3-95  
Washer, Flat, 0.25 Std, 2-31, 2-33, 2-75, 2-79  
Washer, Flat, 0.25, Sae, 2-45  
Washer, Flat, 0.25, Std, 3-105  
Washer, Flat, 0.27b 0.69d .05, Ss, 3-133, 3-135  
Washer, Flat, 0.31 Sae, 2-75, 3-143  
Washer, Flat, 0.31 Ss, 3-143  
Washer, Flat, 0.31 Std, 2-33, 2-75  
Washer, Flat, 0.31, Std, 2-37, 3-49, 3-81  
Washer, Flat, 0.34b 0.75d 0.12, Viton, 2-31  
Washer, Flat, 0.34b 0.69d .06, Nyl, 3-107  
Washer, Flat, 0.38 Std, 3-33, 3-69, 3-87  
Washer, Flat, 0.38b 0.88d .08, Ss, 3-149, 3-155  
Washer, Flat, 0.40b 1.12d .12, Stl, Pl, 2-47  
Washer, Flat, 08, Ss, 4-17  
Washer, Flat, 1.00 Sae Hard, 2-27  
Washer, Flat, 1.50 Std Hard, 2-77, 2-79  
Washer, Flat, 10, Ss, 2-37, 3-105  
Washer, Flat, 10, 2-83  
Washer, Flat, M12, 13x24x2.5ss, 3-73, 3-75, 3-91, 3-93  
Washer, Flat, 2-65  
Washer, Flt, .25 Sae, 2-11, 2-15, 2-73, 2-77, 2-81, 3-13, 3-15, 3-27  
Washer, Flt, .25 Ss, 2-5, 2-7, 2-9, 2-13, 2-39, 2-47, 2-57, 2-59, 2-61, 2-65, 2-67, 2-69, 2-77, 3-31, 3-39, 3-55, 3-57, 3-61, 3-65, 3-67, 3-69, 3-71, 3-73, 3-75, 3-79, 3-83, 3-85, 3-87, 3-89, 3-91, 3-93, 3-97, 3-99, 3-111, 3-113, 3-115, 3-117, 3-127, 3-137, 3-139  
Washer, Flt, .25 Std, 2-21, 2-25, 2-53, 2-55, 2-73, 2-77, 3-51, 3-53  
Washer, Flt, .31 Sae, 2-25, 2-73, 3-5, 3-7, 3-9, 3-11, 3-27  
Washer, Flt, .31 Ss, 2-9, 2-13, 2-19, 2-25, 2-29, 2-41, 2-47, 2-49, 2-53, 2-55, 2-57, 2-59, 2-61, 2-65, 2-67, 2-69, 3-31, 3-39, 3-47, 3-49, 3-51, 3-53, 3-55, 3-57, 3-61, 3-67, 3-69, 3-71, 3-85, 3-87, 3-89, 3-99, 3-101, 3-121, 3-127, 3-133, 3-135, 3-137, 3-139, 3-143, 3-151, 3-153  
Washer, Flt, .31 Std, 2-9, 2-11, 2-17, 2-23, 2-39, 2-71, 3-25, 3-27, 3-31, 3-33, 3-39, 3-41, 3-49  
Washer, Flt, .31, 3-129  
Washer, Flt, .38 Sae, 2-21, 3-33, 3-41  
Washer, Flt, .38 Ss, 2-29, 2-41, 2-49, 2-51, 2-57, 2-59, 2-61, 2-63, 2-65, 3-16, 3-17, 3-19, 3-21, 3-47, 3-49, 3-55, 3-57, 3-61, 3-63, 3-65, 3-71, 3-73, 3-75, 3-81, 3-83, 3-89, 3-91, 3-93



Washer, Flt, .38 Std, 3-19, 3-21, 3-111,  
3-113, 3-115, 3-117  
Washer, Flt, .50 Sae, 2-21, 2-27, 3-13,  
3-15, 3-27, 3-31, 3-39, 3-49  
Washer, Flt, .50 Ss, 2-47, 2-67, 2-69,  
3-133, 3-135, 3-137, 3-139  
Washer, Flt, .50 Std, 2-17, 2-47, 3-23,  
3-33, 3-41, 3-55, 3-63, 3-81  
Washer, Flt, .75 Sae, 2-9  
Washer, Flt, #06, 3-129, 3-131  
Washer, Flt, #08 Ss, 2-5, 2-7, 3-121  
Washer, Flt, #10 Ss, 2-21, 2-39, 2-41,  
2-43, 2-47, 2-71, 2-73, 3-103  
Washer, Flt, #10, 2-15, 2-73, 2-75, 2-77,  
2-79, 3-5, 3-7, 3-13, 3-15, 3-27, 3-35  
Washer, Lock, Int, .25, 2-73, 2-75, 2-77  
Washer, Lock, Int, .31, 2-33, 2-73, 2-75,  
2-77, 2-79, 3-27, 3-35  
Washer, Lock, Int, .38, 2-77, 2-79  
Washer, Lock, Int, #06, Ss, 3-35  
Washer, Lock, Int, #08, Ss, 2-75  
Washer, Lock, Int, #10, Ss, 2-75, 2-77,  
2-79, 3-27  
Washer, Lock, Int, #10, 2-9, 2-21, 2-73,  
2-75, 3-13, 3-15, 3-35  
Washer, Neo., 4-5  
Washer, Poly, 3-111, 3-113, 3-115, 3-117  
Washer, Rbr, .12 0.66b 1.00d, 3-99  
Washer, Rbr, .68idx1.00d, 3-101  
Washer, Thrust, 0.61b 1.25d .06, Fgl,  
2-59, 2-61, 2-65, 3-57, 3-61, 3-73,  
3-75, 3-91, 3-93  
Washer, Thrust, 0.75b 1.25d 0.06w, 3-133,  
3-135  
Washer, 2-19, 2-63, 4-3, 4-13  
Wheel, 3.0d 1.38w 0.50b, 2-2, 2-3, 2-63  
Wheel, 4.0d 0.89w 0.64b, 3-133, 3-135  
Wheel, 4.0d 0.98w 0.78b, 2-9  
Wheel, Steering, 14.0d, Taper Bore, 2-17,  
3-27  
Wheel, 3-125  
Wire Assy, 02ga 27.0l Blk .34h /.34h,  
2-77, 2-79  
Wire Assy, 02ga, 10.0l, Blk, 2-79  
Wire Assy, Jumper Reverse, [515], 3-65,  
3-83  
Wire, 04ga 09.0l Blk .34ring /.28ring, 2-77  
Wire, 04ga 32.0l Blk .31ring /.31ring, 2-77  
Wire, 06ga 11.0l Blk .34ring /.28ring, 2-77  
Wire, 06Ga 09.0L Blk .34 Ring/.34 Ring,  
2-79

