

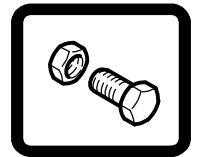


5700EE

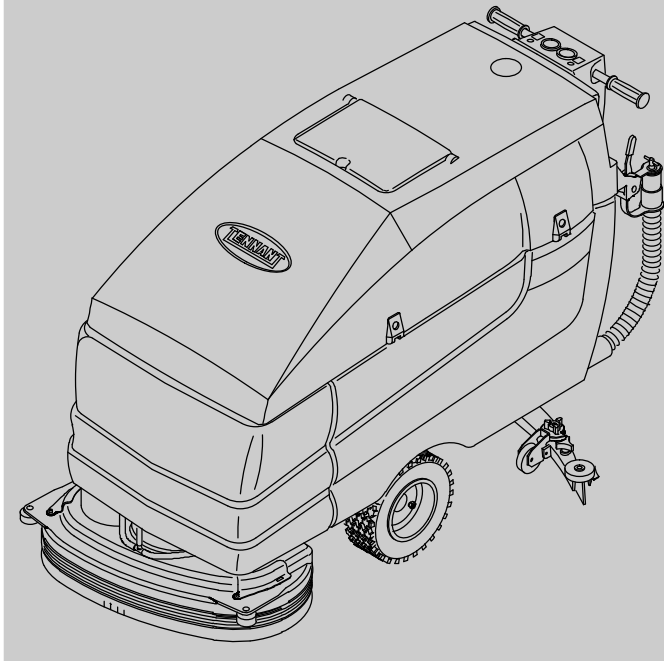
(Electric)

Walk-Behind Scrubber

Parts Manual



(S/N 1000000-)



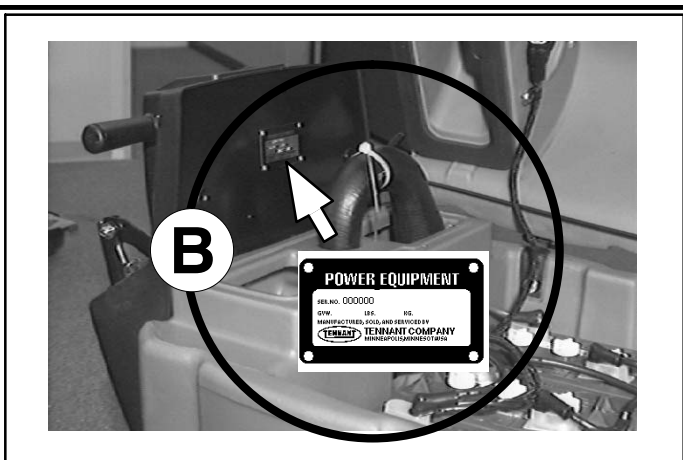
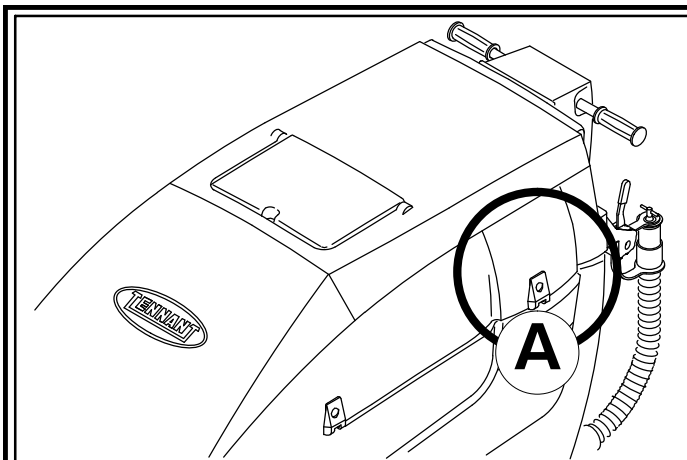
ES[®] Extended Scrub System

North America / International

www.tennantco.com

331536
Rev. 04 (01-2011)





Ref	Part No.	Serial Number	Description	Qty.
1	82681	(10000000—)	Bracket Wldt, Lpg Mount	1
2	63810	(10000000—)	Latch Assy, Lpg Tank Mtg, W/Nut	4
3	51839	(10000000—)	Nut Adjustable, Lpg Tank Mtg	2
4	49263	(10000000—)	Tie, Cable	3
5	82556	(10000000—10001039)	Bracket, Vaporizer	1
6	54930	(10000000—)	Vaporizer, LPG	1

HOW TO ORDER PARTS – See diagram above

Only use TENNANT Company supplied or equivalent parts. Parts and supplies may be ordered online, by phone, by fax or by mail.

Follow the steps below to ensure prompt delivery.

1. **(A)** Identify the machine model.
2. **(B)** Identify the machine serial number from the data plate.
3. **(C)** Ensure the proper serial number is used from the parts list.
4. Identify the part number and quantity. Do not order by page or reference numbers.
5. Provide your name, company name, customer ID number, billing and shipping address, phone number and purchase order number.
6. Provide detail shipping instructions.

- (D)** ▽ – Identifies an assembly
 ▲ – Identifies parts included in assembly

Please fill out at time of installation for future reference.

Model No. – _____

Serial No. – _____

Machine Options – _____

Sales Rep. – _____

Sales Rep. phone no. – _____

Customer ID Number – _____

Installation Date – _____

Tennant Company

PO Box 1452
 Minneapolis, MN 55440
 Phone: (800) 553-8033 or (763) 513-2850
 www.tennantco.com

Specifications and parts are subject to change without notice.

Copyright © 2006-2011 TENNANT Company, Printed in U.S.A.

GENERAL RECOMMENDED MAINTENANCE

General Recommended Maintenance Items

Ref.	Part No.	Serial Number	Description	Qty.
	222241	(10000000-) Blade, Sqge, Front, 43.66l Rbr [800mm]	1
	222242	(10000000-) Blade, Sqge, Rear, 45.65l Linatex [32"]	1
▽	222423	(10000000-) Blade Kit, Sqge, Rbr [800]	1
▲	222384	(10000000-) Blade, Sqge, Tile, 43.66l [Linard, 32"]	1
▲	222386	(10000000-) Blade, Sqge, Rear, 45.65l Gum [32"]	1
▽	222429	(10000000-) Blade Kit, Sqge, Pyu [800]	1
▲	222392	(10000000-) Blade, Sqge, Front, 43.66l Pyu [32"]	1
▲	222388	(10000000-) Blade, Sqge, Rear, 45.65l Pyu [32"]	1
	222066	(10000000-) Wheel, 3.0 Dia	4
	82138	(10000000-) Nut Speed, Retainer, .25-20 Thd	2
	222178	(10000000-) Roller, Bumper	2
	222403	(10000000-) Wheel, 2.0 Dia	2
	222431	(10000000-) Skirt Assy, Disc Head, 32"	1
▽	222711	(10000000-) Replm Kit, Brush Skirts	1
▲	222180	(10000000-) Skirt, Scrub Head	4
	223568	(10000000-) Skirt, Deflector	2

▽ – Identifies an assembly

▲ – Identifies parts included in assembly

SECTION 2

Contents	Page
Fig. 1 – Brushes, Replacement, Model 800, 800 mm (32 in)	2-2
Fig. 2 – Main Frame and Drive Group	2-4
Fig. 3 – Tire and Rim Assembly, Black	2-6
Fig. 4 – Scrub Head Lift Group	2-8
Fig. 5 – Scrub Head Kit, Model 800D, 800 mm (32 in)	2-10
Fig. 6 – Scrub Head Drive Group, Model 800C, 800 mm (32 in)	2-12
Fig. 7 – Scrub Head Frame Group, Model 800C, 800 mm (32 in)	2-14
Fig. 8 – Recovery Tank Group	2-16
Fig. 9 – Solution Tank Group	2-18
Fig. 10 – Vacuum Fan Group	2-20
Fig. 11 – Solution Control Group	2-22
Fig. 12 – Battery Group (S/N 10335670–)	2-24
Fig. 13 – Battery Group (S/N 10000000–10335669)	2-26
Fig. 14 – Steering Control Group	2-28
Fig. 15 – Operator Console Group (S/N 10367557–)	2-30
Fig. 16 – Operator Console Group (S/N 10000000–10367556)	2-32
Fig. 17 – Electrical Panel Group (S/N 10367557–)	2-34
Fig. 18 – Electrical Panel Group (S/N 10335670–10367556)	2-36
Fig. 19 – Electrical Panel Group (S/N 10000000–10335669)	2-38
Fig. 20 – Squeegee Lift Group	2-40
Fig. 21 – Squeegee Linkage Group	2-42
Fig. 22 – Squeegee Group, Model 800 800 mm (32 in)	2-44
Fig. 23 – Electrical Schematic (S/N 10335670–)	2-46
Fig. 24 – Electrical Schematic (S/N 10000000–10335669)	2-48
Fig. 25 – Electrical Wire Harness Group (S/N 10436743–)	2-50
Fig. 26 – Electrical Wire Harness Group (S/N 10378922–10436742)	2-54
Fig. 27 – Electrical Wire Harness Group (S/N 10335670–10378921)	2-58
Fig. 28 – Electrical Wire Harness Group (S/N 10000000–10335669)	2-63
Fig. 29 – Label Group	2-66

Fig. 1 - Brushes, Replacement, Model 800, 800 mm (32 in)

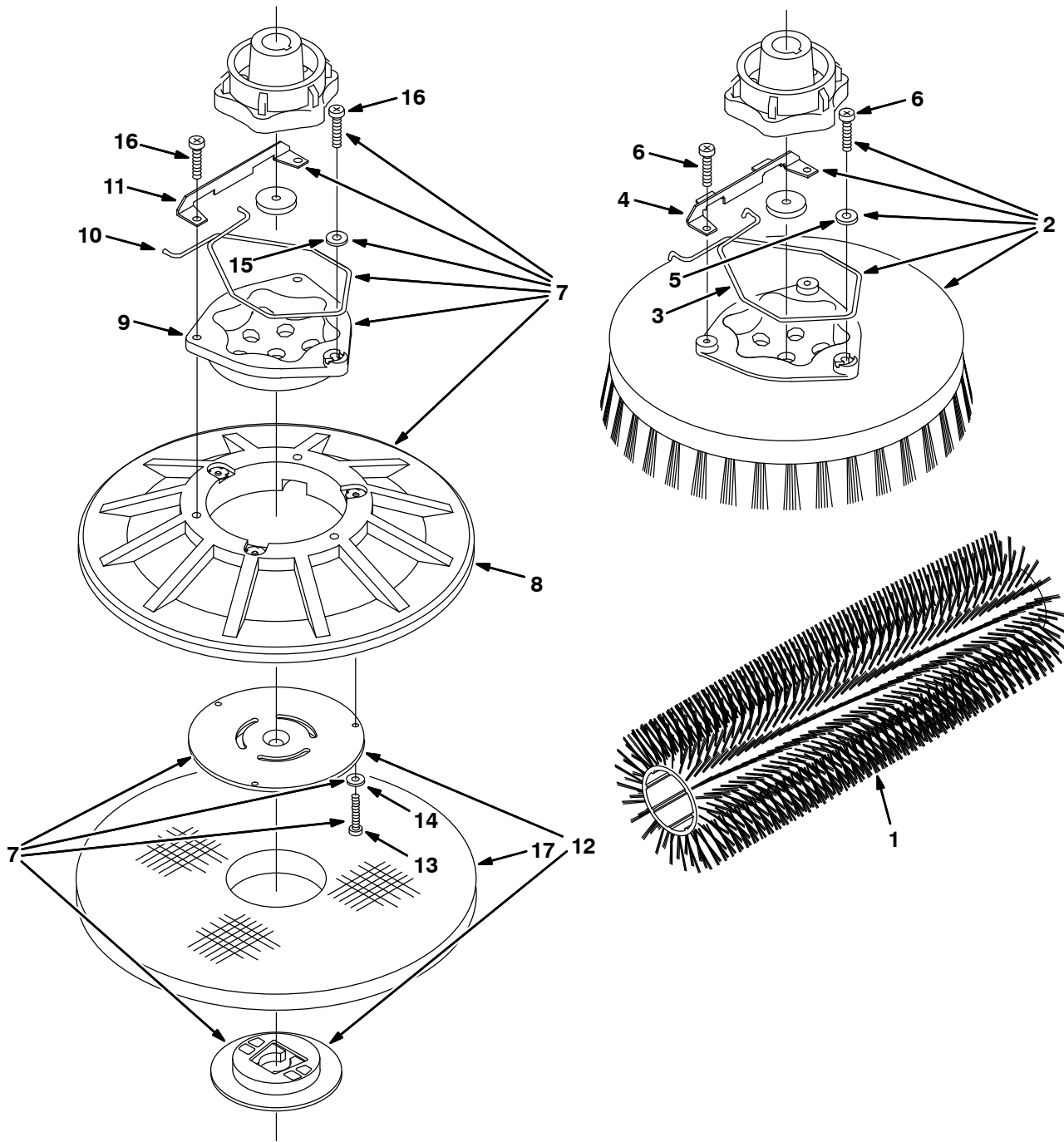


Fig. 1 – Brushes, Replacement, Model 800, 800 mm (32 in)

Ref.	Part No.	Serial Number	Description	Qty.
1	222307	(10000000–)) Brush–Scr Grout 32”Lg 18Sr Poly	2
1	374042	(10000000–)) Brush–Scrub 32”Lg 18Sr Poly	2
1	222308	(10000000–)) Brush–Scrub –32Lg–18Sr–Nyl	2
1	222309	(10000000–)) Brush–Scrub 32”Lg 18Sr Ab	2
▽	2	05724	(10000000–)) Brush–Disk Scr 16 D–Assy–Nyl	2
▲	3	14838	(10000000–)) Spring, Brush Retaining	1
▲	4	24299	(10000000–)) Bracket, Spring Retainer	1
▲	5	01684	(10000000–)) Washer, Flat, 0.25 Ss	1
▲	6	32746	(10000000–)) Screw, Pan, M6 X 1.0 X 35, Ss	3
▽	2	30241	(10000000–)) Brush–Disk Scr 16 D Assy Poly	2
▲	3	14838	(10000000–)) Spring, Brush Retaining	1
▲	4	24299	(10000000–)) Bracket, Spring Retainer	1
▲	5	01684	(10000000–)) Washer, Flat, 0.25 Ss	1
▲	6	32746	(10000000–)) Screw, Pan, M6 X 1.0 X 35, Ss	3
▽	2	05726	(10000000–)) Brush–Disk Scr 16 D–Assy–S Ab	2
▲	3	14838	(10000000–)) Spring, Brush Retaining	1
▲	4	24299	(10000000–)) Bracket, Spring Retainer	1
▲	5	01684	(10000000–)) Washer, Flat, 0.25 Ss	1
▲	6	32746	(10000000–)) Screw, Pan, M6 X 1.0 X 35, Ss	3
▽	7	370016	(10000000–)) Driver, Pad 16 D Assy	2
▲	8	370076	(10000000–)) Back, Pad Drive W/Face 16 Dia.	1
▲	9	1017368	(10000000–)) Hub, Drive, Brush, Disk, 3hole 5.8bc	1
▲	10	14838	(10000000)) Spring, Brush Retaining	1
▲	11	24299	(10000000–)) Bracket, Spring Retainer	1
▲	12	370095	(10000000–)) Centering Device, F/Pad Driver	1
▲	13	09198	(10000000–)) Scr Panssm 4X0.7 35	3
▲	14	41579	(10000000–)) Washer, Flat, #8, Ss	3
▲	15	01684	(10000000–)) Washer, Flat, 0.25 Ss	1
▲	16	32746	(10000000–)) Screw, Pan, M6 X 1.0 X 35, Ss	3
	17	63248–1	(10000000–)) Pad, Strip 16D Brown	2
	17	63248–2	(10000000–)) Pad, Scrub 16D Blue	2
	17	63248–3	(10000000–)) Pad, Buff 16D Red	2
	17	63248–4	(10000000–)) Pad, Polish 16D White	2
	17	370092	(10000000–)) Pad, Strip–Hd 16D Black	2
	17	1051027	(10000000–)) Pad, Surf. Prep 16D Maroon	2

▽ – Identifies an assembly

▲ – Identifies parts included in assembly

Fig. 2 - Main Frame and Drive Group

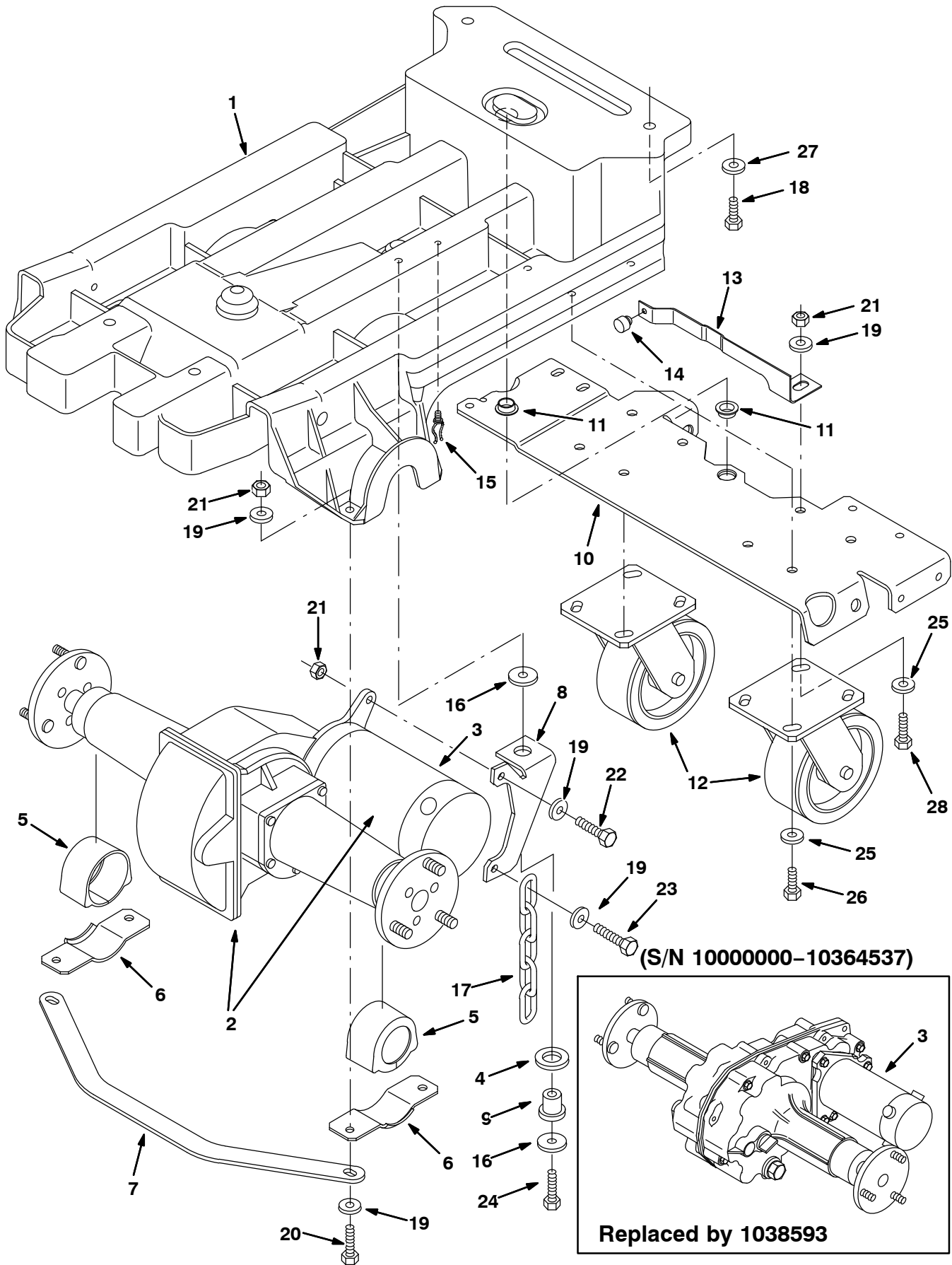


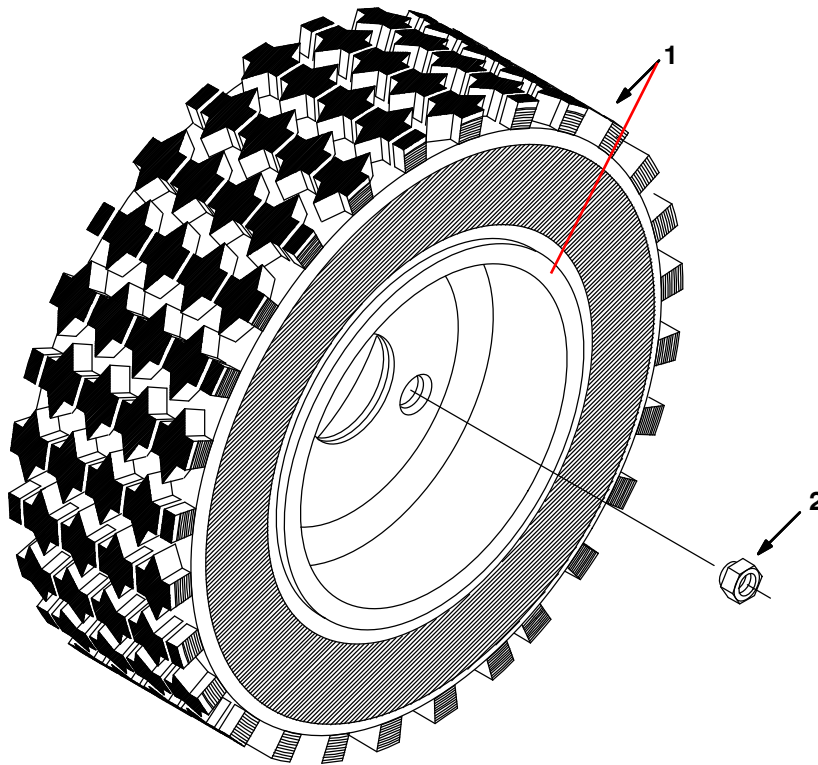
Fig. 2 – Main Frame and Drive Group

Ref.	Part No.	Serial Number	Description	Qty.
	1	398311	(10000000–) Frame, Main	1
▽	2	1038593	(10000000–) Transaxle Assy, w/Motor [W/O Park Lock] (Breakdown Parts Not Available)	1
▲▽	3	1040886	(10364538–) Vr, Motor, Transaxle	1
▲		1040891	(10364538–) Vr, Brush, Motor, Transaxle	1
	3	1031761	(10000000–10364537) Motor, Ele, 36Vdc 2000Rpm 0.50Hp (See Breakdown)	1
	4	39350	(10000000–) Washer, Flat, 0.75, Sae	1
	5	222035	(10000000–) Isolator, Transaxle	2
	6	222036	(10000000–) Bracket, Mtg, Isolator	2
	7	222098	(10000000–) Bracket, Support, Frame	1
	8	222039	(10000000–) Bracket, Mtg, Transaxle	1
	9	54274	(10000000–) Isolator–Vibration, 125Lb.Ratng	1
	10	222085	(10000000–) Bracket, Caster Pad	1
	11	04843	(10000000–) Bearing, Flange .625 Bore	2
	12	1049046	(10000000–) Caster, Swivel, 5.0d 2.0w, 4hole, Gray	2
	13	222469	(10000000–) Spring, Centering	1
	14	51787	(10000000–) Bumper, Rubber	1
	15	30406	(10000000–) Clip, Keeper, St	1
	16	1014563	(10000000–) Washer, Flat, 0.40b 1.12d .12, Ss	2
	17	222842	(10000000–) Chain,Static, Brass	1
	18	12273	(10000000–) Scr–Hexssm 8X1.25 20 Nylonloc	4
	19	01685	(10000000–) Washer Flt .31 Ss	8
	20	09011	(10000000–) Scr Hexssm 8X1.25 30	4
	21	08713	(10000000–) Nut–Hxlocnyln M 8X1.25 Reg Ss	8
	22	09011	(10000000–) Screw, Hex, M8 X 1.25 X 30, Ss	1
	23	222505	(10000000–) Scr Hexssm 8X1.25 45	1
	24	59658	(10000000–) Scr Hexssm 8X1.25 35 Nylonloc	1
	25	41186	(10000000–) Washer, Bellville .31 Pltd	8
	26	12333	(10000000–) Scr–Hexssm 8X1.25 25 Nylonloc	6
	27	1017218	(10000000–) Washer, Flat, 0.321b 1.00d .12, Ss	8
	28	09010	(10000000–) Scr Hexssm 8X1.25 25	2

▽ – Identifies an assembly

▲ – Identifies parts included in assembly

Fig. 3 - Tire and Rim Assembly, Black



Ref.	Part No.	Serial Number	Description	Qty.
▽ 1	1059450	(10000000-) Tire Assy, Pneu, Blk, 4.10/3.5-06 3.5bc	1
2	11109	(10000000-) Nut, Wheel	6
▲ 04658			Innertube, 4.10 x 350.....1	1

Fig. 4 - Scrub Head Lift Group

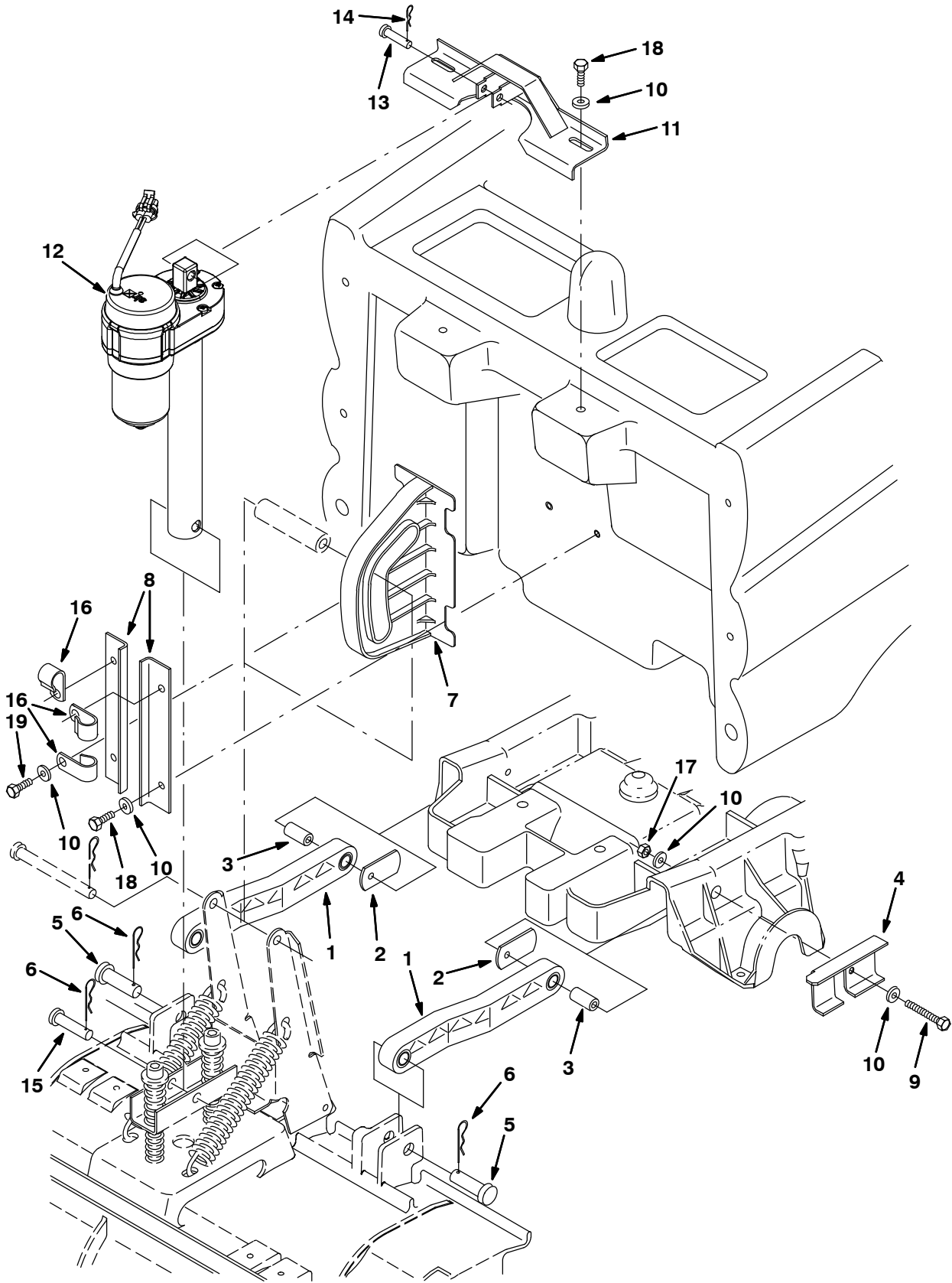


Fig. 4 – Scrub Head Lift Group

Ref.	Part No.	Serial Number	Description	Qty.
1	222027	(10000000–) Arm, Lift, Head	2
2	222099	(10000000–) Spacer, Lift Arm	2
3	222028	(10000000–) Sleeve, .344B .62D1.3 Bronze	2
4	222488	(10000000–) Bracket, Tank Support	1
5	222210	(10000000–) Pin, Clevis, 0.62 Dia X 2.00Lg	2
6	02942	(10000000–) Pin,Hair Cotter .12Wire 2.37SI	3
7	222034	(10000000–) Bracket, Guide, Roller	1
8	222054	(10000000–) Bracket, Roller Guide	2
9	222504	(10000000–) Scr Hexssm 8X1.25 55	2
10	01685	(10000000–) Washer, Flat, 0.38b 0.88d .08, Ss	9
11	222051	(10000000–) Bracket, Mounting, Actuator	1
12	9006241	(10000000–) Actuator Kit, Replmt [5700]	1
13	29558	(10000000–) Pin,Clevis,0.37 Dia.X 1.50 Lg	1
14	86866	(10000000–) Pin, Hair Cotter .375D .072Wir	1
15	51534	(10000000–) Pin,Clevis,0.50 Dia.X 2.00 Lg	1
16	30407	(10000000–) Clip, Keeper, Open	3
17	08713	(10000000–) Nut–Hxlocnyln M 8X1.25 Reg Ss	2
18	09740	(10000000–) Scr–Hexssm 8X1.25 20	6
19	49826	(10000000–) Scr–Hexssm 8X1.25 16 Nylon Loc	1

Fig. 5 – Scrub Head Kit, Model 800D, 800 mm (32 in)

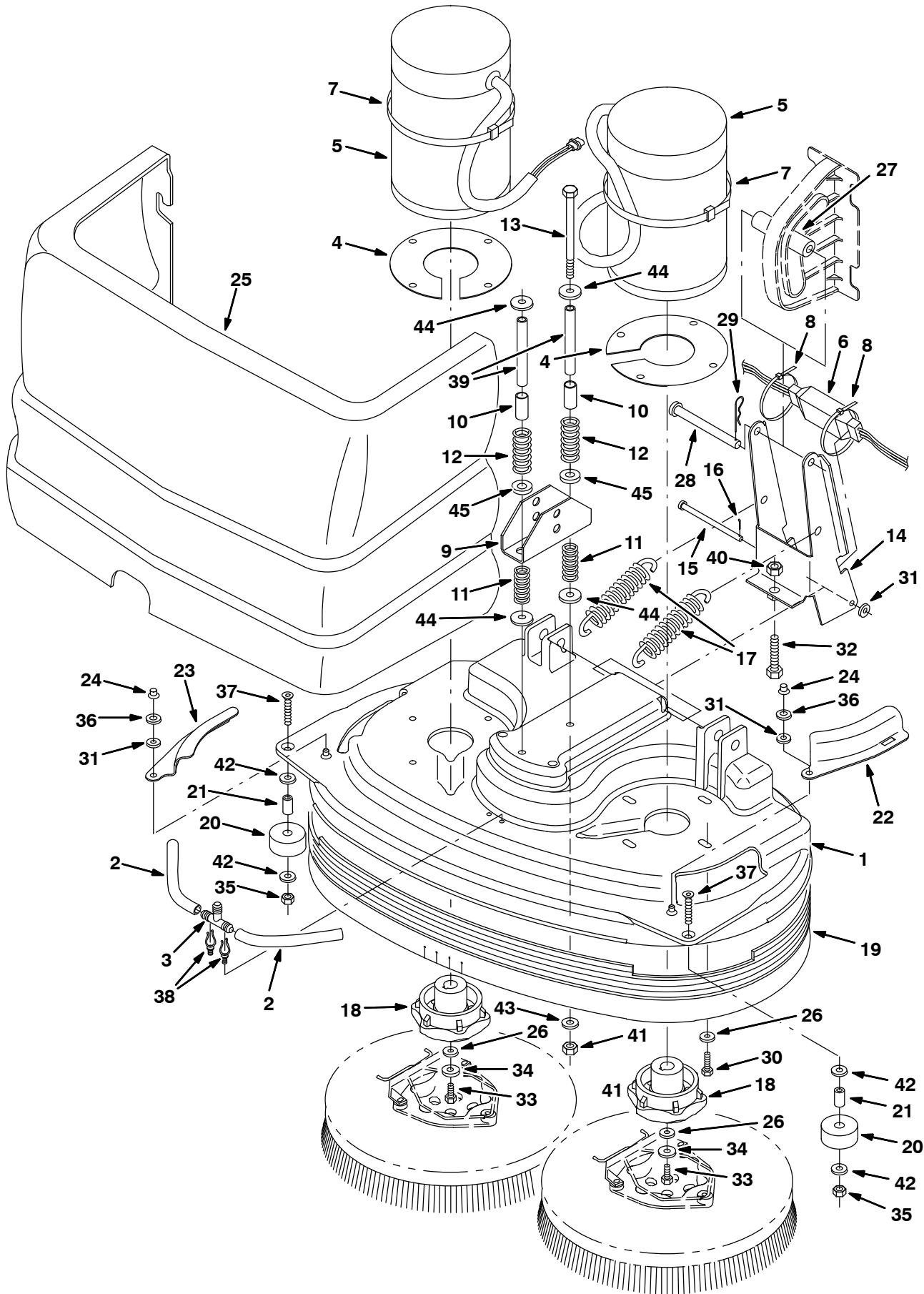


Fig. 5 – Scrub Head Kit, Model 800D, 800 mm (32 in)

Ref.	Part No.	Serial Number	Description	Qty.
▽	222018	(10000000–)) Scrub Head Kit Ee 800D	1
▲	1	1030875	(10000000–) Housing, Head, 80cm, Disk [5680/5700]	1
▲	2	222535	(10000000–) Hose, Vinyl .38Id .56Od 8.0L	2
▲	3	222536	(10000000–) Fitting–Plastic Tee 06Bm/06Bm/	1
▲	4	222440	(10000000–) Gasket, End Bell	2
▲	5	222708	(10000000–) Motor Assy, Elec, Ee 0.6Hp (See Breakdowns)	2
▲	6	222836	(10000000–) Harness, Wire, Disk Head, Elec	1
▲	7	44961	(10000000–) Tie, Cable 4.00 Max 14.50Lg	4
▲	8	49263	(10000000–) Tie Cable 3.00D Max 11.41Lg	2
▲	9	1012088	(10000000–) Bracket, Mtg, Spring	1
▲	10	140148	(10000000–) Sleeve, P/M, 0.50b 0.63d 1.4l, Stl Pl	2
▲	11	63185	(10000000–) Spring,Comp,.84Odx.10Wire 2.0L	2
▲	12	45261	(10000000–) Sprng,Comp,0.74Idx.11Wire 2.5L	2
▲	13	20178	(10000000–) Screw, Hex, .38–16 X 5.50, G5	2
▲	14	222838	(10000000–) Bracket, Pivot	1
▲	15	222207	(10000000–) Pin, Clevis, 0.31Dia X4.5Lg	1
▲	16	08346	(10000000–) Pin, Cotter, .125 X 0.75	1
▲	17	222363	(10000000–) Spring, Tension	2
▲	18	377364	(10000000–) Hub, Drive, Brush, Disk, 0.75b 6t	2
▲	19	222431	(10000000–) Skirt Assy, Disc Head, 32"	1
▲	20	222403	(10000000–) Wheel, 2.0 Dia	2
▲	21	222496	(10000000–) Sleeve	2
▲	22	222404	(10000000–) Door, Scrub Head, Lh	1
▲	23	222405	(10000000–) Door, Scrub Head, Rh	1
▲	24	59849	(10000000–) Nut, Retainer R/.312 Dia	2
▲	25	9005800	(10000000–) Cover, Front, Teal, Afmkt [5700 Disk]	1
▲	26	41186	(10000000–) Washer–Belleville .31 Pltd	10
▲	27	222055	(10000000–) Roller, Linkage, Head	1
▲	28	222197	(10000000–) Pin, Clevis 0.50 Dia X 4.75Lg	1
▲	29	02942	(10000000–) Pin,Hair Cotter .12Wire 2.37SI	1
▲	30	01698	(10000000–) Scr Hexss.25–20X1.00	8
▲	31	01685	(10000000–) Washer Flt .31 Ss	3
▲	32	05720	(10000000–) Scr–Hexssm10X1.5 40 Full Thd	1
▲	33	02991	(10000000–) Scr Hexss.31–18X0.75	2
▲	34	01686	(10000000–) Washer Flt .38 Ss	2
▲	35	08713	(10000000–) Nut–Hxlocnyln M 8X1.25 Reg Ss	2
▲	36	32713	(10000000–) Washer, .406B .81D .09Ureth	2
▲	37	33943	(10000000–) Scr–Flt M8 X 1.25 40	2
▲	38	30406	(10000000–) Clip, Keeper, St	2
▲	39	1029426	(10000000–) Tube, Rnd, 0.40id 0.50od 04.3l, Ss	2
▲	40	39312	(10000000–) Nut, Hex, Std, M10 X 1.5	1
▲	41	59156	(10000000–) Nut, Hex, Lock, .38–16, NI, Ss	2
▲	42	32490	(10000000–) Washer, Flat, 0.25 Std	4
▲	43	01685	(10000000–) Washer, Flat, 0.38b 0.88d .08, Ss	2
▲	44	32662	(10000000–) Washer, Flat, 0.38b 1.22d .06, Ss	4
▲	45	32486	(10000000–) Washer, Flt .50 SAE	2

▽ – Identifies an assembly

▲ – Identifies parts included in assembly

Fig. 6 – Scrub Head Drive Group, Model 800C, 800 mm (32 in)

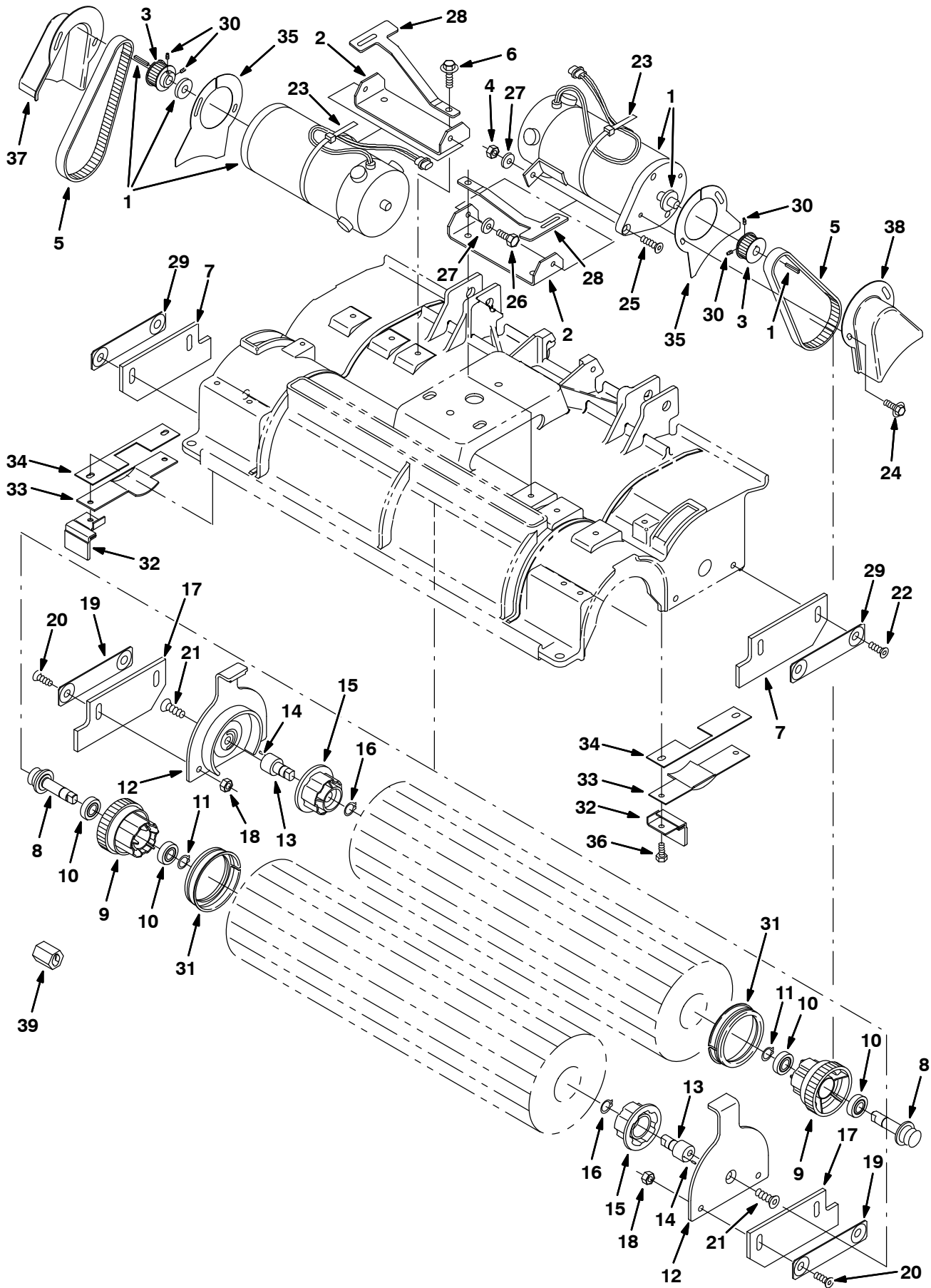


Fig. 6 – Scrub Head Drive Group, Model 800C, 800 mm (32 in)

NOTE: Scrub Head Kit, Tennant Part Number 222016, includes Fig. 6, and Fig. 7.

Ref.	Part No.	Serial Number	Description	Qty.
1	1038426	(10355043–) Motor, Ele, 36Vdc 1700Rpm 0.75Hp (See Breakdowns)	2
	375175	(10000000–10355042) Motor, Ele, 36Vdc 1700Rpm 0.75Hp (See Breakdowns)	2
2	223564	(10000000–) Bracket, Mounting, Motor	2
3	375195	(10000000–) Sprocket, Drive	2
4	08713	(10000000–) Nut–Hxlocnyln M 8X1.25 Reg Ss	4
5	377505	(10000000–) Belt, Replmt, Brush Drive, F/222201	2
6	76099	(10000000–) Scr–Hxfmg M8 X 1.25 25	4
7	222180	(10000000–) Skirt, Scrub Head	2
∇	222751	(10000000–) Plug Drive Assy	2
▲	8	222176	(10000000–) Shaft, Drive Plug	1
▲	9	1040931	(10000000–) Plug, Brush, Drive	1
▲	10	41360	(10000000–) Bearing–Ball,0.59B 1.26D 0.35W	2
▲	11	01516	(10000000–) Ring,Retain,Ex,0.59Od,Basic	1
∇	374082	(10000000–) Door Assy, Brush	2
▲	12	1044145	(10000000–) Door, Brush	1
▲∇	222752	(10000000–) Plug Idler Assy	1
▲▲	13	222177	(10000000–) Shaft, Idler Plug	1
▲▲	14	222184	(10000000–) Pin, Roll	1
▲▲	15	1057629	(10000000–) Plug, Idler, Brush [Sgl Brg]	1
▲▲	16	01516	(10000000–) Ring,Retain,Ex,0.59Od,Basic	1
▲	17	222180	(10000000–) Skirt, Scrub Head	1
▲	18	08713	(10000000–) Nut–Hxlocnylon M 8X1.25 Reg Ss	2
▲	19	222182	(10000000–) Bar, Support	1
▲	20	74077	(10000000–) Scr–Flt M8 X 1.25 25 Ss	2
▲	21	390996	(10000000–) Scr–Flt M10 X 1.5 20, Ss NI	1
	22	07810	(10000000–) Scr Flt M8 x 1.25 25	4
	23	44961	(10000000–) Tie, Cable 4.00D Max 14.50 Lg	2
	24	1034731	(10000000–) Screw, Hex, M6 X 1.00 X 16, Ss, Sems	4
	25	74077	(10000000–) Screw, Flat,M 8X1.25 Ss	2
	26	09740	(10000000–) Scr Hexssm 8X1.25	2
	27	01685	(10000000–) Washer, Flat, 0.38b 0.88d .08, Ss	6
	28	222209	(10000000–) Spring, Door	2
	29	222182	(10000000–) Bar, Support	2
	30	222818	(10000000–) Scr–Set 8–32 X .25 Nylon Loc	4
	31	222820	(10000000–) Seal, Ring	2
	32	223568	(10000000–) Skirt, Deflector	2
	33	223566	(10000000–) Bracket, Shield	2
	34	223569	(10000000–) Gasket, Shield	2
	35	223563	(10000000–) Shield, Belt	2
	36	15675	(10000000–) Screw, Hex, M8 X 1.25 X 16, Ss	4
	37	223560	(10000000–) Guard, Belt, Rh	1
	38	223561	(10000000–) Guard, Belt, Lh	1
	39	1010506	(10000000–) Tool, Removal, Shaft, F/ 222176	1

∇ – Identifies an assembly

▲ – Identifies parts included in assembly

Fig. 7 - Scrub Head Frame Group, Model 800C, 800 mm (32 in)

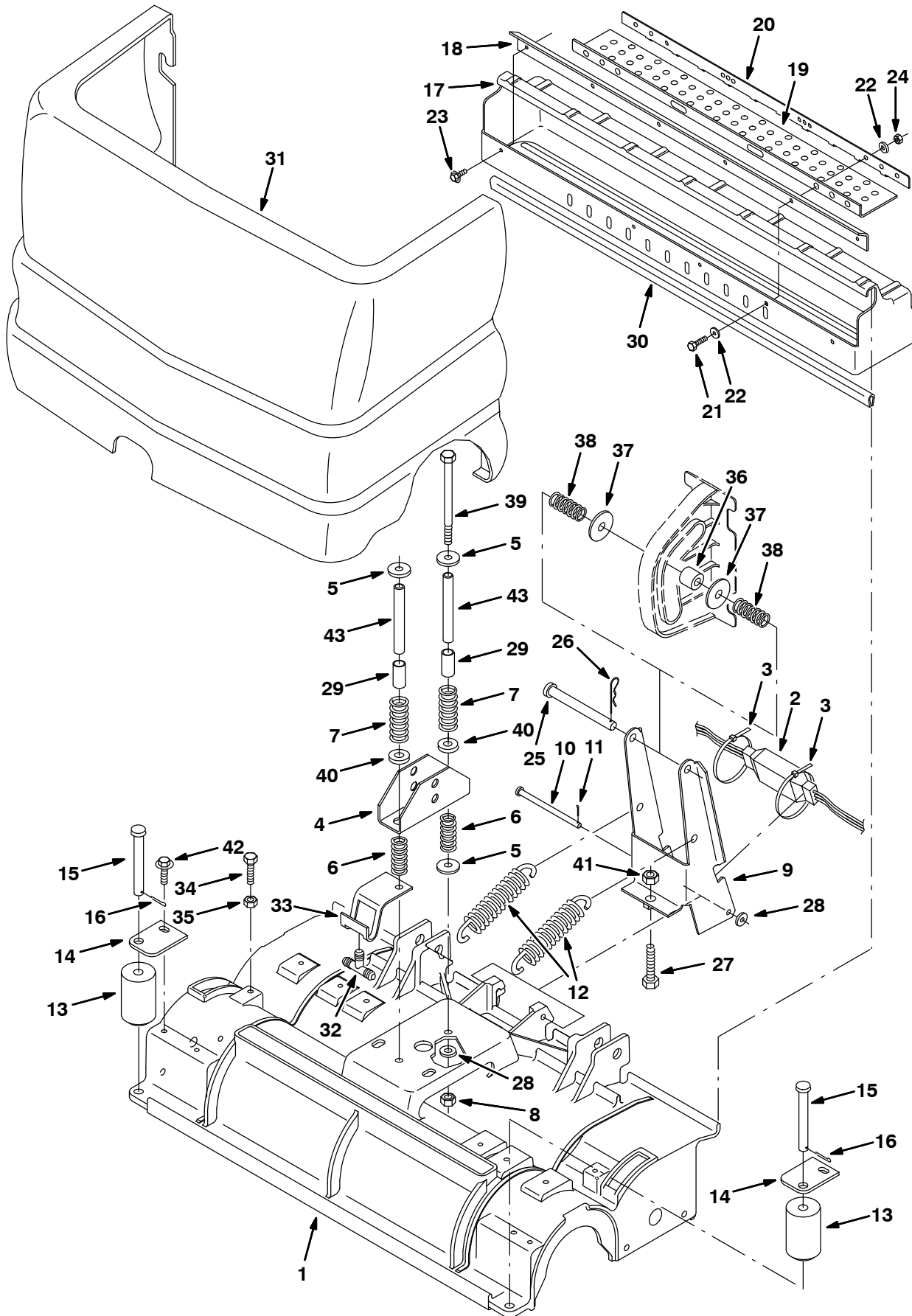


Fig. 7 – Scrub Head Frame Group, Model 800C, 800 mm (32 in)

NOTE: Scrub Head Kit, Tennant Part Number 222016, includes Fig. 6, and Fig. 7.

Ref.	Part No.	Serial Number	Description	Qty.	
1	1022253	(10000000-) Housing, Cyl, Mach, 800mm	1	
2	222835	(10000000-) Harness, Wire, Cyl Head, Elec	1	
3	49263	(10000000-) Tie Cable 3.00D Max 11.41Lg	2	
4	1012088	(10000000-) Bracket, Mtg, Spring	1	
5	32662	(10000000-) Washer, Flat, 0.38b 1.22d .06, Ss	3	
6	63185	(10000000-) Spring,Comp,.84Odx.10Wire 2.0L	2	
7	45261	(10000000-) Sprng,Comp,0.74Idx.11Wire 2.5L	2	
8	59156	(10000000-) Nut, Hex, Lock, .38-16, NI, Ss	2	
9	222838	(10000000-) Bracket, Pivot	1	
10	222207	(10000000-) Pin, Clevis, 0.31Dia X4.5Lg	1	
11	08346	(10000000-) Pin, Cotter .125X0.75	2	
12	222363	(10000000-) Spring, Tension	2	
13	222178	(10000000-) Roller, Bumper	2	
14	222179	(10000000-) Bracket, Mounting, Roller	2	
15	222196	(10000000-) Pin, Roller	2	
16	08346	(10000000-) Pin, Cotter .125X0.75	2	
▽	222825	(10000000-) Tray Kit, Debris, 32.0, Ci	1	
▲	17	9005727	(10000000-) Tray, Debris, 32.0l, Afmkt [5680/5700]	1
▲	18	222204	(10000000-) Lip, Debris Tray 32"	1
▲	19	222669	(10000000-) Skirt, Debris Tray	1
▲	20	222670	(10000000-) Strip, Debris Tray	1
▲	21	09007	(10000000-) Scr-Hexssm6X1.0 25	4
▲	22	01684	(10000000-) Washer Flt .25 Ss	6
▲	23	74455	(10000000-) Scr-Hxfmg M6 X 1.0 20	2
▲	24	08708	(10000000-) Nut, Hex, Lock, M6 X 1.0, NI	4
	25	222197	(10000000-) Pin, Clevis 0.50 Dia X 4.75Lg	1
	26	02942	(10000000-) Pin,Hair Cotter .12Wire 2.37Sl	1
	27	05720	(10000000-) Scr-Hexssm10X1.5 40 Full Thd	1
	28	01685	(10000000-) Washer, Flat, 0.38b 0.88d .08, Ss	3
	29	140148	(10000000-) Sleeve, P/M, 0.50b 0.63d 1.4l, Stl Pl	2
	30	374007	(10000000-) Channel	1
	31	9005801	(10000000-) Cover, Front, Teal, Afmkt [5680/5700 Cyl	1
	32	222536	(10000000-) Fitting-Plastic Tee 06Bm/06Bm/	1
	33	222523	(10000000-) Bracket, Hose Guide	1
	34	09023	(10000000-) Screw, Hex, M08 X 1.25 X 35, Ss	2
	35	08713	(10000000-) Nut, Hex, Lock, M08 X 1.25, NI, Ss	2
	36	374162	(10000000-) Roller, Rwk	1
	37	51564	(10000000-) Washer, 0.53b 1.75d .12, Stl, Pl	2
	38	397255	(10000000-) Spring, Cmpr, 0.85od .08wir 2.0l	2
	39	20178	(10000000-) Screw, Hex, .38-16 X 5.50, G5	2
	40	32486	(10000000-) Washer, Flt .50 SAE	2
	41	39312	(10000000-) Nut, Hex, Std, M10 X 1.5	1
	42	76099	(10000000-) Screw, Hex, M8 X 1.25 X 25, Fmg	2
	43	1029426	(10000000-) Tube, Rnd, 0.40id 0.50od 04.3l, Ss	2

▽ – Identifies an assembly

▲ – Identifies parts included in assembly

Fig. 8 - Recovery Tank Group

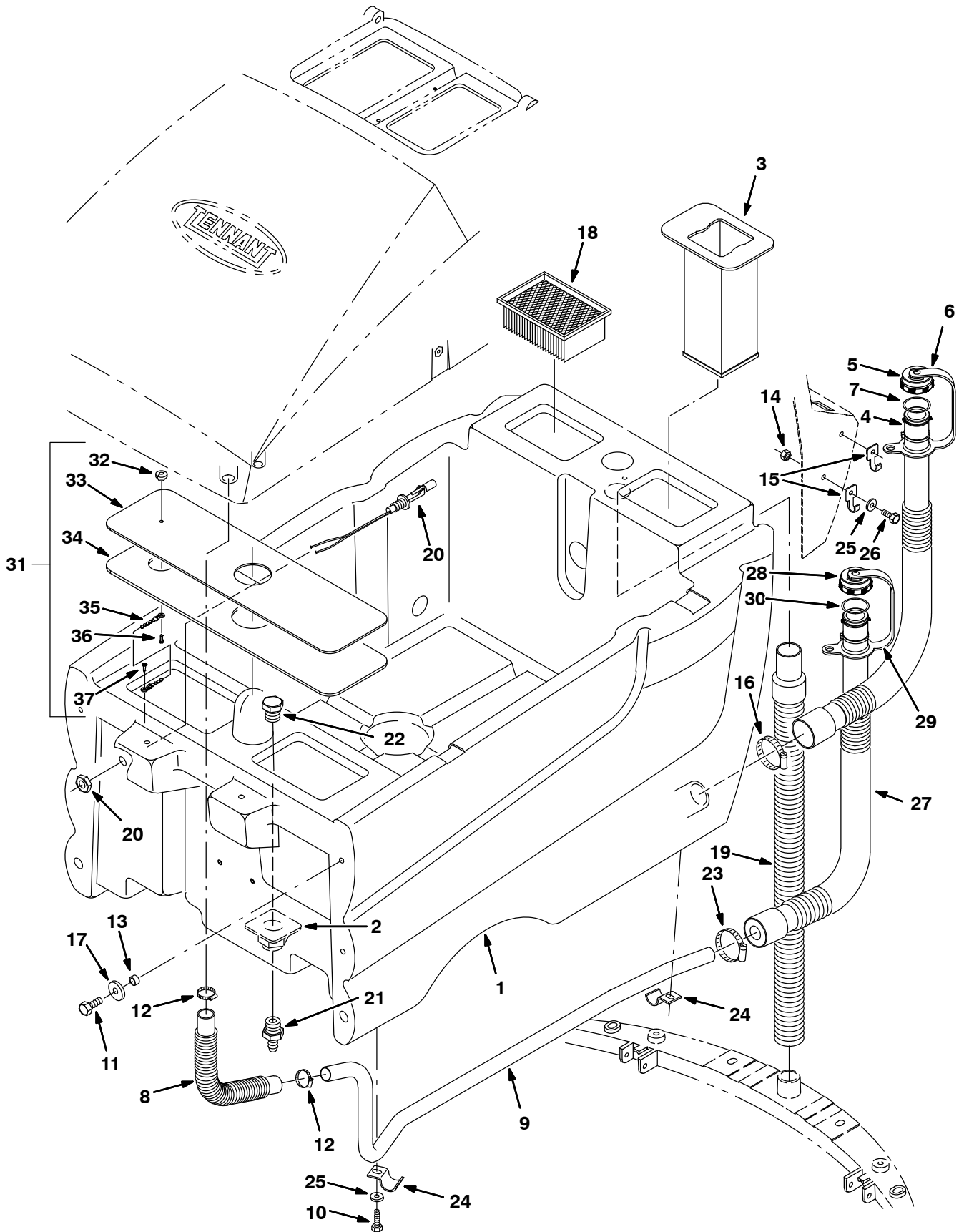


Fig. 8 – Recovery Tank Group

	Ref.	Part No.	Serial Number	Description	Qty.
▽	1	398440	(10000000–)) Tank, Recvy, Afmkt [5680/5700]	1
▲	2	377349	(10000000–)) Fitting, Plstc, Pf12/Pf12, Bh	1
	3	1042996	(10000000–)) Screen, Debris, [5680/5700] (Optional)	1
▽	4	1011168	(10000000–)) Hose, Assembly, Drain, 25.7	1
▲▽	5	1008639	(10000000–)) Cap, Drain Assembly	1
▲▲	6	1019563	(10000000–)) Strap, Drain Cap	1
▲▲	7	1008637	(10000000–)) O Ring, 1.48" Id, 1.76" Od	1
	8	222194	(10000000–)) Hose, Drain, Flex	1
	9	222151	(10000000–)) Tube, Drain	1
	10	09740	(10000000–)) Scr–Hexssm 8X1.25 20	2
	11	12273	(10000000–)) Screw, Hex, M 8 X 1.25 X 20, Ss, NI	4
	12	11399	(10000000–)) Clamp–Wormdrive, 0.81– 1.50D	2
	13	222516	(10000000–)) Sleeve, P/M, 0.496d 0.318b 0.31l 430ss	4
	14	08713	(10000000–)) Nut–Hxlocnyln M 8X1.25 Reg Ss	2
	15	222793	(10000000–)) Clip, Hose, Hanger	2
	16	22297	(10000000–)) Clamp–Wormdrive, 1.56–2.50d, .50w	1
	17	30013	(10000000–)) Washer, Flat, .31 Fender	4
	18	1037821	(10000000–)) Filter, Panl, Dust, 2.3 X 04.5 X 06.4	1
	19	374060	(10000000–)) Hose & Cuff Assy, Vacuum 1.51D 32L	1
	20	222822	(10000000–)) Switch, Float	1
	21	79273–1	(10000000–)) Ftg,Plstc,Cplg,Barb.75Pt–.50Hs	1
	22	75611	(10000000–)) Ftg–Plug Npt 12Pm Rd Hd Plstc.	1
	23	11531	(10000000–)) Clamp, Hose, Wormdrive, 1.06–2.00d	1
	24	69234	(10000000–)) Clamp, Cable, 1.00D 0.62W Stl	2
	25	01685	(10000000–)) Washer, Flat, 0.38b 0.88d .08, Ss	4
	26	15675	(10000000–)) Scr Hexssm 8X1.25	2
▽	27	1011167	(10000000–)) Hose, Assembly, Drain, 26.7	1
▲▽	28	1008639	(10000000–)) Cap, Drain Assembly	1
▲▲	29	1019563	(10000000–)) Strap, Drain Cap	1
▲▲	30	1008637	(10000000–)) O Ring, 1.48" Id, 1.76" Od	1
▽	31	9008164	(10000000–)) Cover Kit, Recvy Tank, Retro[5680/5700]	1
▲	32	240239	(10480874–)) Knob, Rnd, 0.75d 0.50l, 10–24 Fem	1
▲	33	1062741	(10480874–)) Cover, Tank, Recvy [5680/5700]	1
▲	34	1062846	(10480874–)) Gasket, Cover [5680/5700]	1
▲	35	621443	(10480874–)) Chain, Ball, 10, 0157mml, Ss	1
▲	36	605975	(10480874–)) Screw, Trs, Phl, 10–24 X 0.50, Sems, Ss	1
▲	37	222267	(10480874–)) Screw, Pan, Phl, 06–20 X 0.50, Fmg/Ab	1

▽ – Identifies an assembly

▲ – Identifies parts included in assembly

Fig. 9 - Solution Tank Group

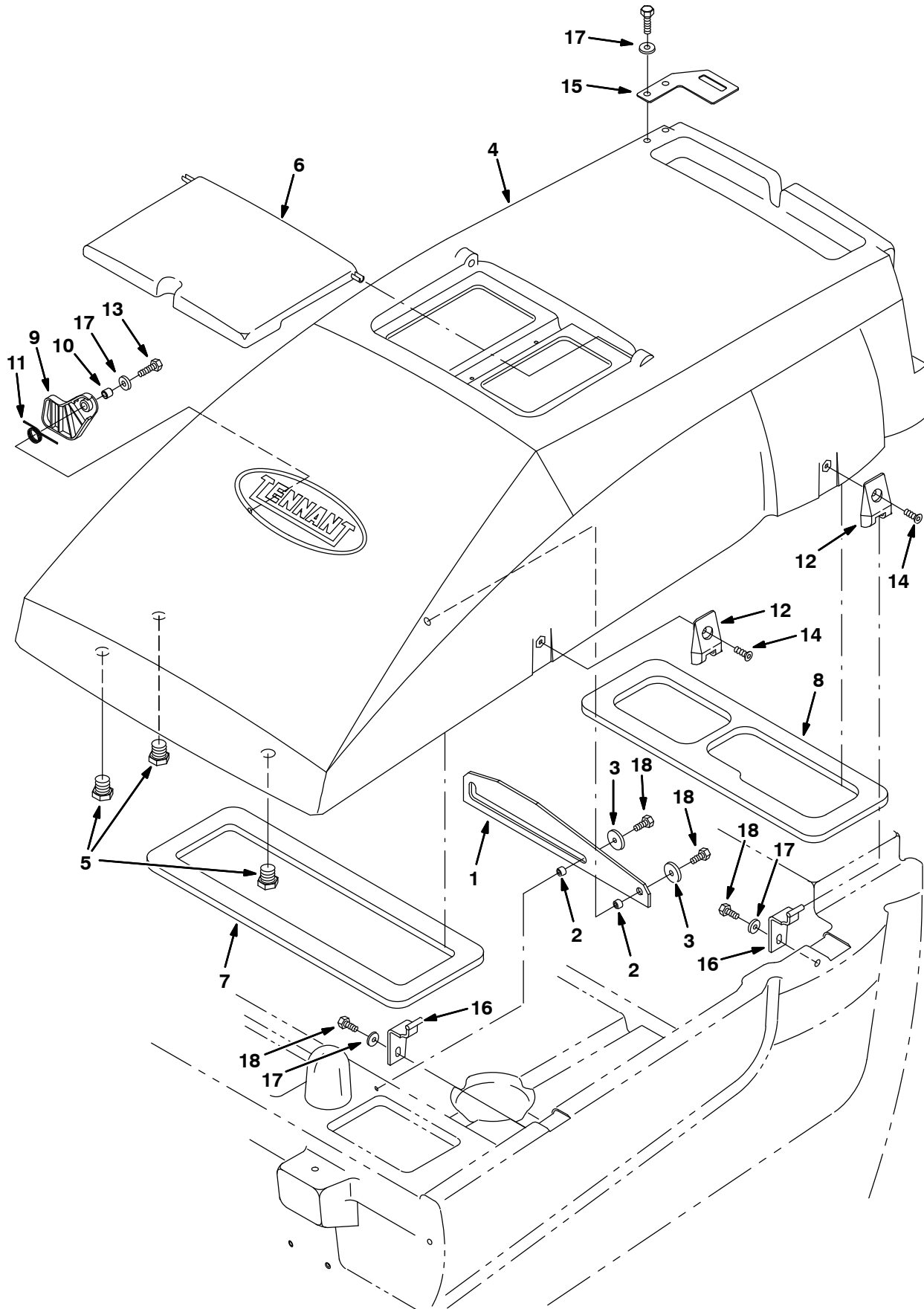


Fig. 9 – Solution Tank Group

Ref.	Part No.	Serial Number	Description	Qty.
1	397705	(10000000–) Bracket, Prop Arm	1
2	222516	(10000000–) Sleeve, .318B .496D .312 Ss	2
3	30013	(10000000–) Washer–Flt .31 Fender Pltd	2
4	398430	(10000000–) Tank, Solution	1
5	75611	(10000000–) Ftg–Plug Npt 12Pm Rd Hd Plstc.	3
6	222712	(10000000–) Cover, Solution Tank, w/Label	1
7	222120	(10000000–) Gasket, Tank, Front	1
8	222121	(10000000–) Gasket, Tank, Rear	1
9	222406	(10000000–) Stop, Tank	1
10	222460	(10000000–) Sleeve	1
11	222462	(10000000–) Spring, Torsion	1
12	222529	(10000000–) Hinge Leaf	2
13	12333	(10000000–) Scr–Hexssm 8X1.25 25 NylInloc	1
14	222463	(10000000–) Scr–Flt M 8X1.25 20 Blk Nyloc	2
15	222780	(10000000–) Plate, Tank Lock, EE	1
16	398485	(10000000–) Hinge Wldt, Leaf	1
17	01685	(10000000–) Washer, Flat, 0.38b 0.88d .08, Ss	5
18	09740	(10000000–) Scr–Hexssm 8X1.25 20	4

Fig. 10 – Vacuum Fan Group

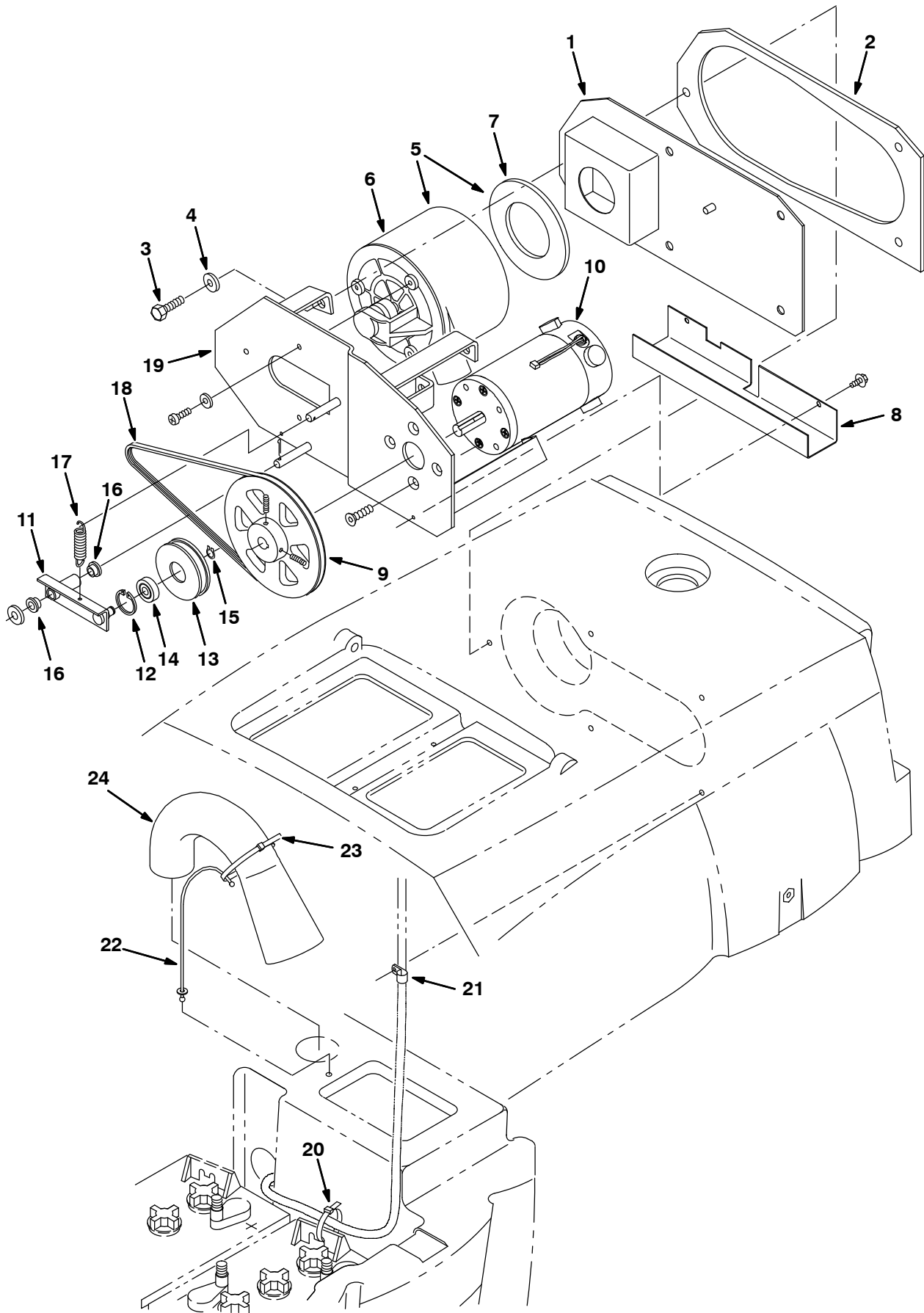


Fig. 10 – Vacuum Fan Group

Ref.	Part No.	Serial Number	Description	Qty.
1	222771	(10000000–)) Plate Wldt, Mtg, Fan, Ee	1
2	222129	(10000000–)) Gasket, Plate, Fan Mounting	1
3	12333	(10000000–)) Scr–Hexssm 8X1.25 25 NylInloc	5
4	01685	(10000000–)) Washer Flt .31 Ss	5
▽	5	370184	(10000000–) Kit, Vacuum Fan, 5700EE	1
▲	6	370182	(10000000–) Fan, Vacuum, 3 Stage Ee	1
▲	7	370183	(10000000–) Seal, Vacuum Fan	1
8	222698	(10000000–)) Guard, Cover, Fan, Ee	1
9	222674	(10000000–)) Sheave, 3J 6.53 Pd	1
10	1053284	(10422747–)) Motor, Ele, 36vdc 2500rpm 0.75hp (See Breakdowns)	1
10	374201	(10000000–10422746)) Motor Assy, Ee Vac Fan (See Breakdowns)	1
▽	222767	(10000000–)) Idler Arm & Sheave Assy	1
▲	11	222702	(10000000–) Arm Wldt, Idler	1
▲	12	20020	(10000000–) Ring,Retain,In,1.18Id,Basic	1
▲	13	45430	(10000000–) Pulley, Idler Use 45448	1
▲	14	01845	(10000000–) Bearing–Ball,0.39B 1.18D 0.35W	1
▲	15	01543	(10000000–) Ring,Retain,Ex,0.39Od,Basic	1
▲	16	05582	(10000000–) Bearing, Flg. 375 Bore	2
17	29545	(10000000–)) Spring, Tens.56Odx.05Wire 1.4	1
18	222686	(10000000–)) Belt, Micro V–Belt 320J3	1
19	222700	(10000000–)) Plate Wldt, Mtg, Fan, Ee	1
20	49266	(10000000–)) Tie, Cable 1.75D Max 7.50Lg	2
21	40678	(10000000–)) Clamp,Cable .44D .62Wide	1
22	222667	(10000000–)) Cable Assy, Hose Retainer	1
23	49263	(10000000–)) Tie, Cable 3.00D Max 11.41Lg	1
24	222361	(10000000–)) Hose, Inlet Recovery Tank	1

▽ – Identifies an assembly

▲ – Identifies parts included in assembly

Fig. 11 - Solution Control Group

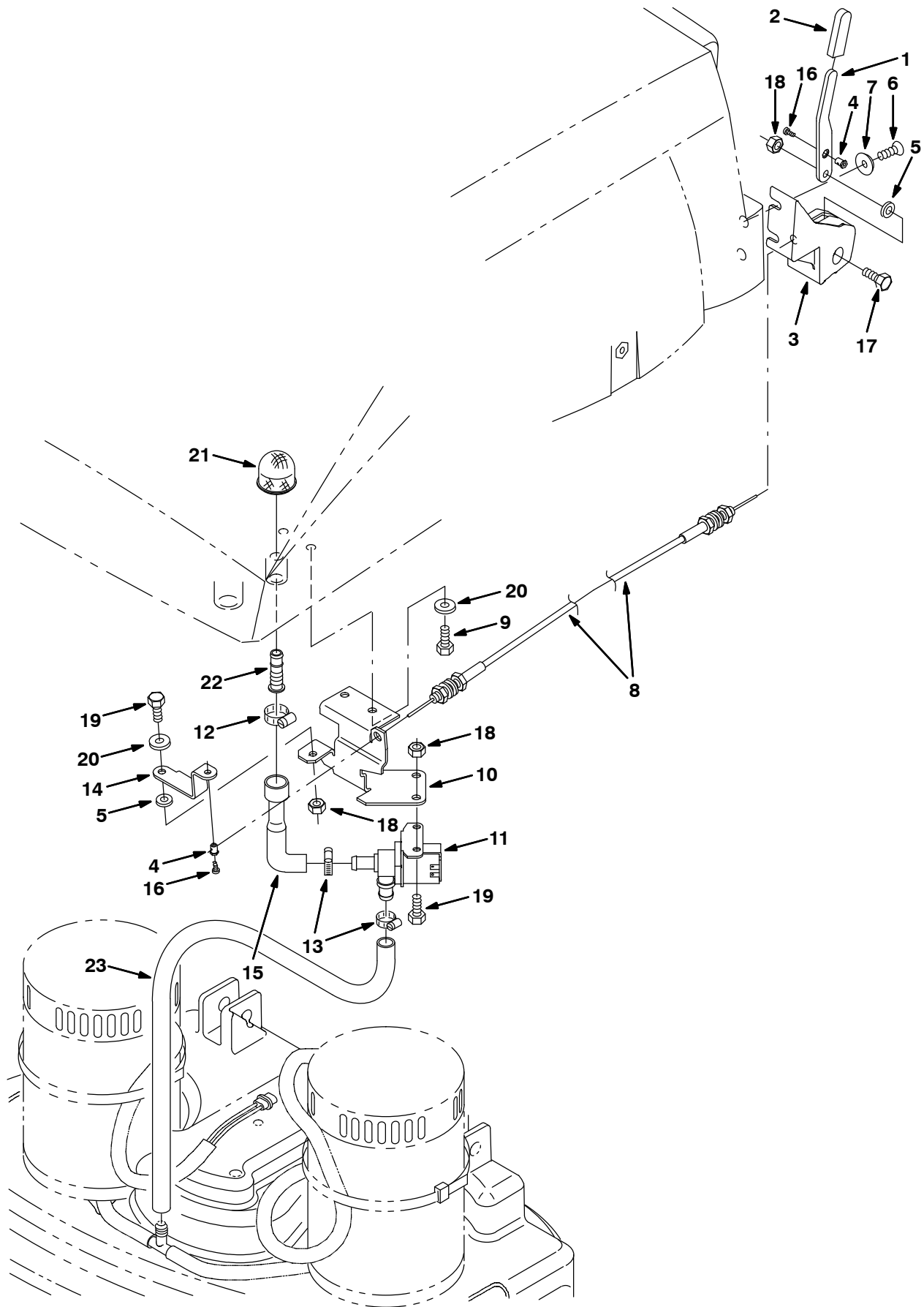


Fig. 11 – Solution Control Group

Ref.	Part No.	Serial Number	Description	Qty.
1	222185	(10000000–) Lever, Control	1
2	222190	(10000000–) Grip, Handle	1
3	222186	(10000000–) Housing, Control Lever	1
4	43242	(10000000–) Swivel	2
5	43454	(10000000–) Washer, .344B .69D .06Nylon	2
6	222463	(10000000–) Scr–Fit M 8X1.25 20 Blk Nyloc	2
7	222466	(10000000–) Washer, Finish M8 Blk	2
8	222188	(10000000–) Cable Assy, Water	1
9	15675	(10000000–) Screw, Hex, M08 X 1.25 X 16, Ss	2
10	397787	(10000000–) Bracket, Mtg, Valve	1
11	1062393	(10000000–) Valve, Water, Solenoid, 36vdc Bm10/Bm10	1
12	63810	(10000000–) Clamp, Hose, Wormdrive, 0.56–1.06d, .56w	1
13	54333	(10000000–) Clamp–Wormdrive, 0.31– 0.88D	2
14	222097	(10000000–) Lever, Valve	1
15	397777	(10000000–) Hose, Rbr, E90, .62ld 0.81ld	1
16	32515	(10000000–) Screw, Pan, #08 –32 X 0.38	2
17	09011	(10000000–) Scr Hexssm 8X1.25 30	1
18	08713	(10000000–) Nut–Hxlocnyln M 8X1.25 Reg Ss	4
19	09740	(10000000–) Scr–Hexssm 8X1.25 20	3
20	01685	(10000000–) Washer, Flat, 0.38b 0.88d .08, Ss	3
21	222742	(10000000–) Screen, Drain	1
22	222728	(10000000–) Ftg Str Plastic	1
23	1024237	(10000000–) Hose, Afmkt, Pvc, Wir, 0.50id, 03ft, Clr	1

Fig. 12 – Battery Group (S/N 10335670–)

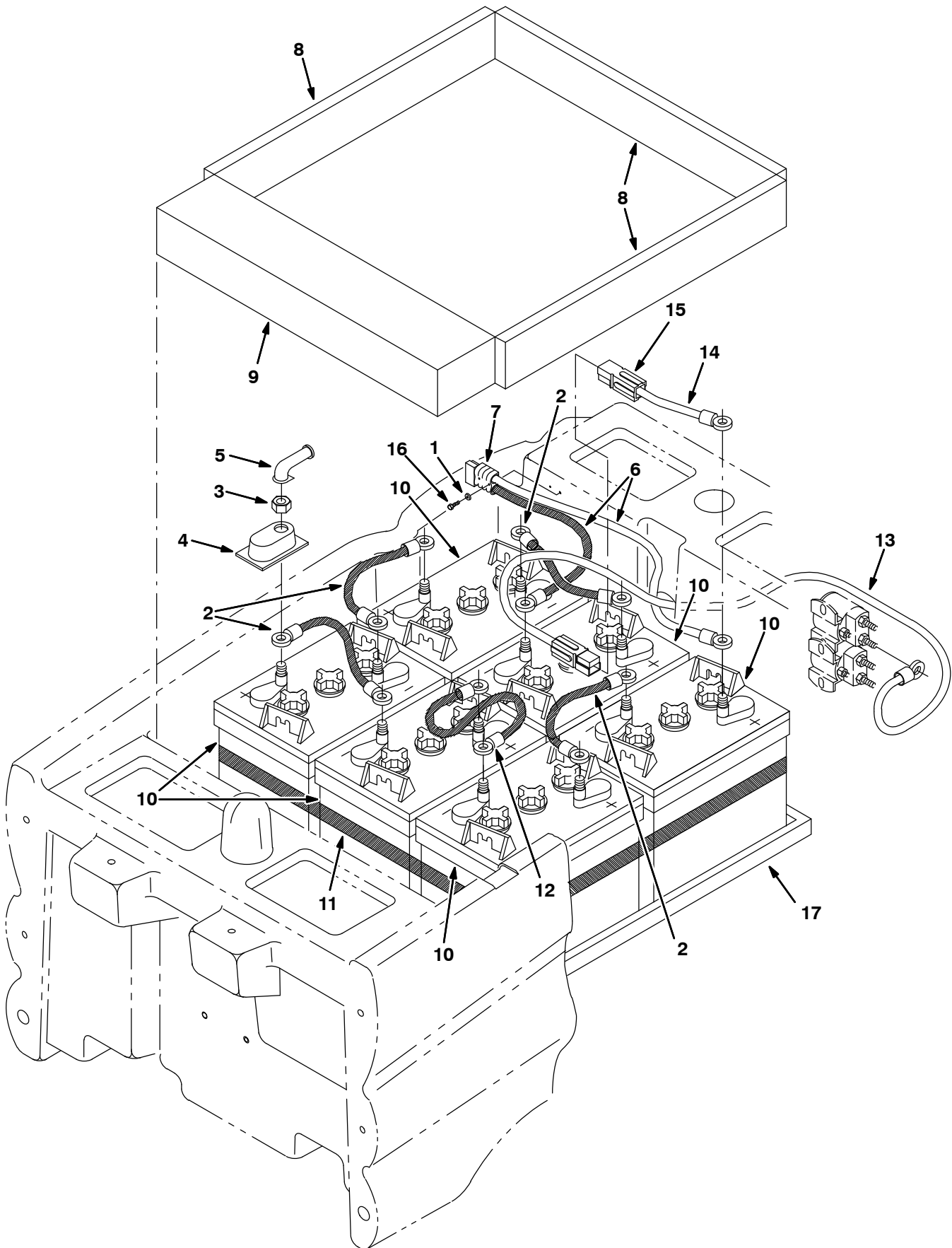


Fig. 12 – Battery Group (S/N 10335670–)

Ref.	Part No.	Serial Number	Description	Qty.	
1	01757	(10335670–) Washer, Lock, Int, M3 Ss	2	
2	63735	(10335670–) Cable Assy–Lead, 11.0, 6Ga	4	
3	87435	(10335670–) Nut, Hex, Flexlock, .31–18	12	
4	45962	(10335670–) Cover, Terminal, Poly	12	
5	02076	(10335670–) Boot, 90Deg .50D .57X .84	12	
▽	6	222217	(10335670–) Harness, Cable, Battery	1
▲	7	130155	(10335670–) Connector, Battery, 6Ga 50A, Gray[2 Cont]	1
▽		222778	(10335670–) Battery Kit 36V 235Ah Wet	1
▲	8	222473	(10335670–) Spacer, Battery .62X1.5X21.0	3
▲	9	222474	(10335670–) Spacer, Battery 3.0X4.3X21.0	1
▲	10	222280	(10335670–) Battery, 6V, Res Cap: 129 Wet	6
	11	222682	(10335670–) Strap, Poly, Webbing, 100" L	1
	12	63735	(10335670–) Cable Assy–Lead, 11.0, 6Ga	1
	13	397907	(10335670–) Wire Assy, Cable, 4ga, Red	1
▽	14	397908	(10335670–) Wire Assy, Cable, 4ga, Red	1
▲	15	1056046	(10335670–) Connector Assy, Anderson Pp120, Red	1
	16	06922	(10335670–) Screw, Pan, M3 X 0.5 X 20, 4.8	2
	17	1057853	(10486126–) Tray, Battery, [5680/5700]	1

▽ – Identifies an assembly

▲ – Identifies parts included in assembly

Fig. 13 – Battery Group (S/N 10000000–10335669)

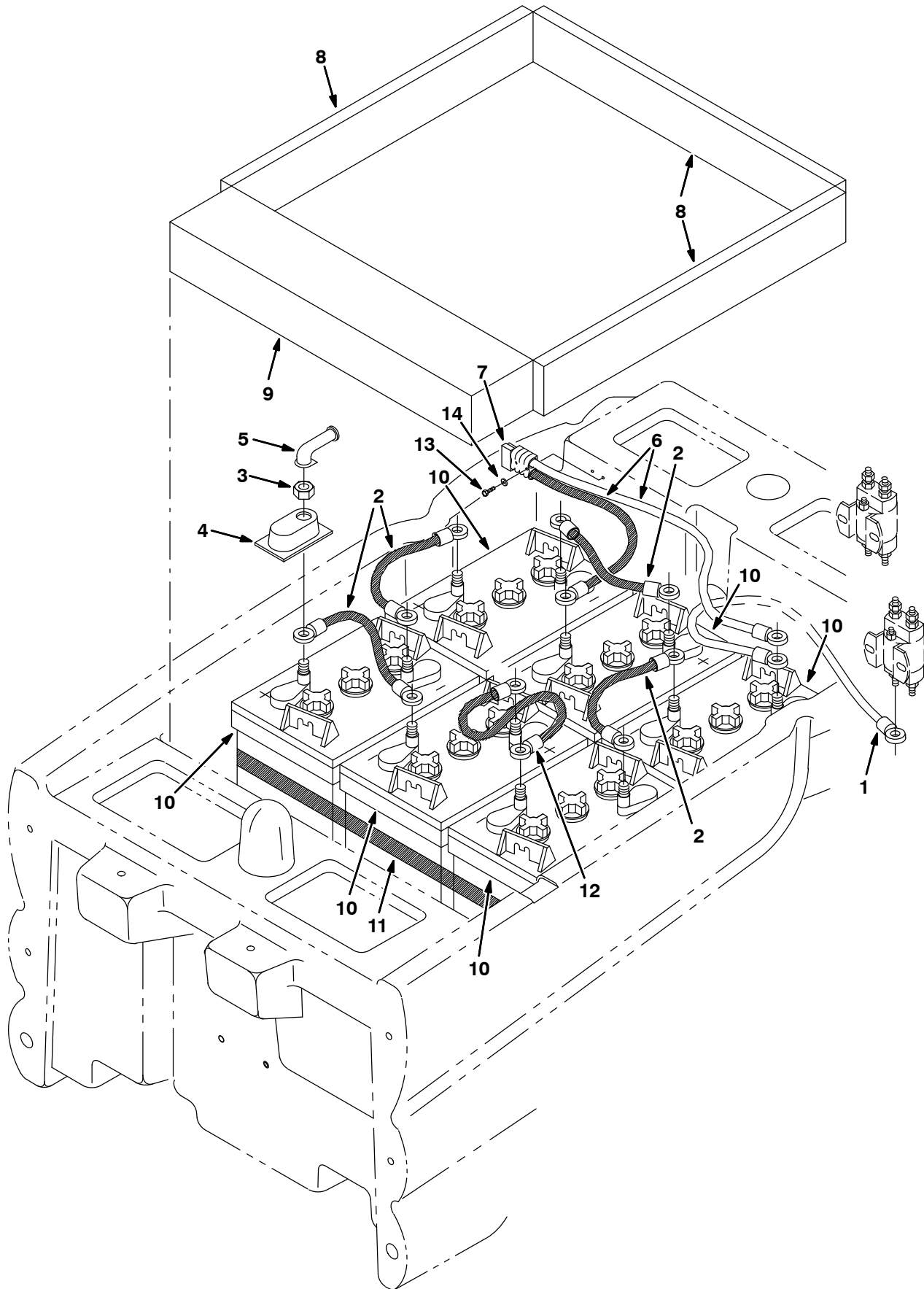


Fig. 13 – Battery Group (S/N 10000000–10335669)

Ref.	Part No.	Serial Number	Description	Qty.	
1	222218	(10000000–10335669)	Cable, Battery	1	
2	63735	(10000000–10335669)	Cable Assy–Lead, 11.0, 6Ga	4	
3	87435	(10000000–10335669)	Nut, Hex, Flexlock, .31–18	12	
4	45962	(10000000–10335669)	Cover, Terminal,Poly	12	
5	02076	(10000000–10335669)	Boot, 90Deg .50D .57X .84	12	
▽	6	222217	(10000000–10335669)	Harness, Cable, Battery	1
▲	7	130155	(10000000–10335669)	Connector, Battery, 6Ga 50A, Gray[2 Cont]	1
▽		222778	(10000000–10335669)	Battery Kit 36V 235Ah Wet	1
▲	8	222473	(10000000–10335669)	Spacer, Battery .62X1.5X21.0	3
▲	9	222474	(10000000–10335669)	Spacer, Battery 3.0X4.3X21.0	1
▲	10	222280	(10000000–10335669)	Battery, 6V, Res Cap: 129 Wet	6
	11	222682	(10000000–10335669)	Strap, Poly, Webbing, 100" L	1
	12	63735	(10000000–10335669)	Cable Assy–Lead, 11.0, 6Ga	1
	13	06922	(10000000–10335669)	Screw, Pan, M3 X 0.5 X 20, 4.8	2
	14	01757	(10000000–10335669)	Washer, Lock, Int, M3 Ss	2

▽ – Identifies an assembly

▲ – Identifies parts included in assembly

Fig. 14 - Steering Control Group

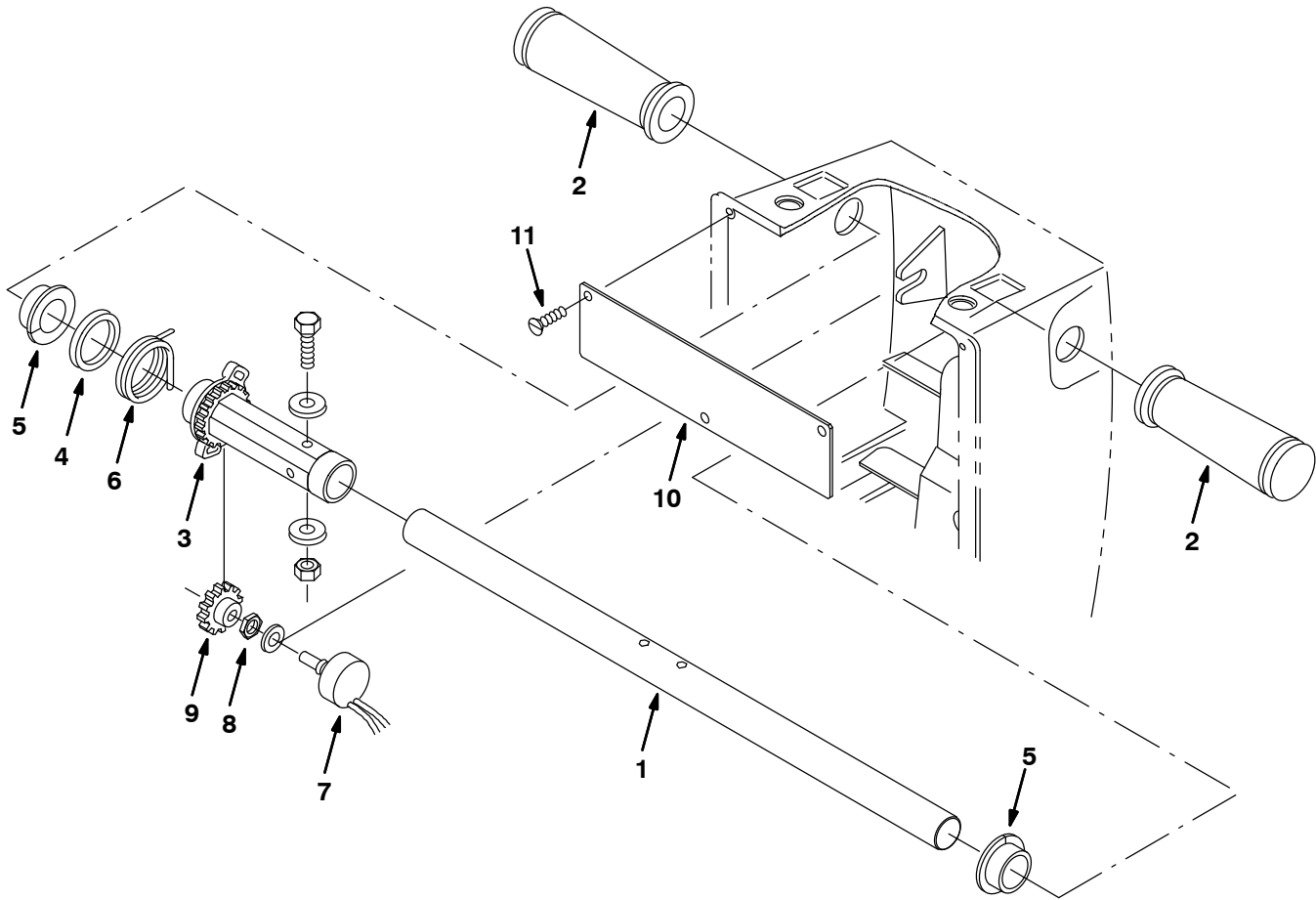


Fig. 14 – Steering Control Group

Ref.	Part No.	Serial Number	Description	Qty.
1	222740	(10000000–) Handle, Speed Control	1
2	222648	(10000000–) Grip, Handle, Round	2
3	222079	(10000000–) Gear, Speed Control	1
4	222501	(10000000–) Washer, Spacer, Speed Control	1
5	49514	(10000000–) Bearing, Snap .875 Bore	2
6	222081	(10000000–) Spring, Torsion Centering	1
7	222287	(10000000–) Potentiometer Assy, Electronic	1
8	222607	(10000000–) Nut–Hx Thin .38–32	1
9	27974	(10000000–) Gear, 28 T. 24P	1
10	222083	(10000000–) Plate, Shield	1
11	222465	(10000000–) Scr–Fit M3x0.5 6 SS18–8	2

STANDARD PARTS

Fig. 15 - Operator Console Group (S/N 10367557-)

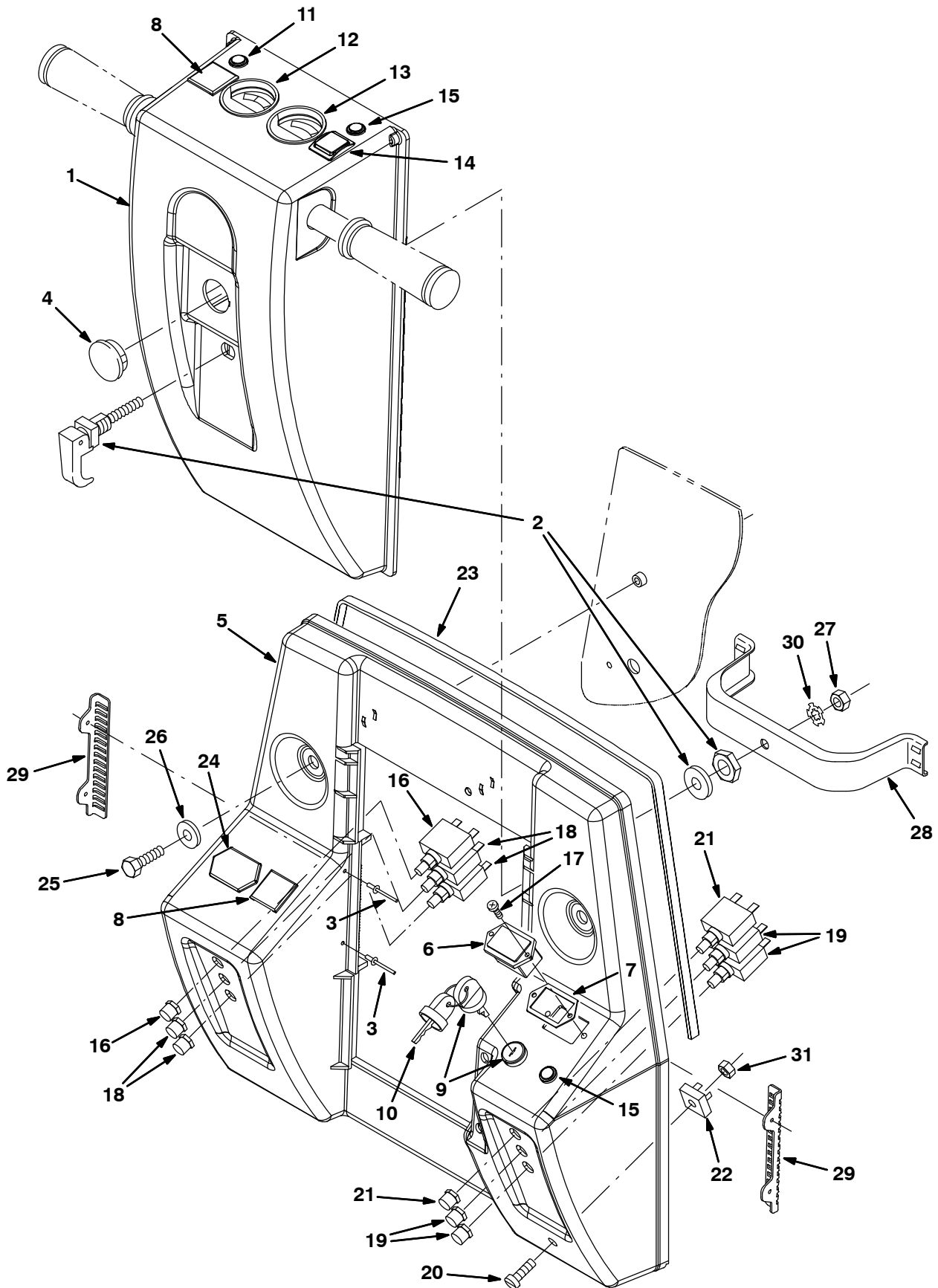


Fig. 15 – Operator Console Group (S/N 10367557–)

Ref.	Part No.	Serial Number	Description	Qty.
1	9004190	(10367557–)	Shroud Kit, W/ Label, Std, Rplmt [5700]	1
2	222225	(10000000–)	Latch	1
3	34738	(10000000–)	Rivet, Blind, .125D X 0.32 X .25D, Stl	4
4	76888	(10000000–)	Button, Plug, 1.25H .00–.12 [Black Nyl]	1
5	368590	(10000000–)	Kit, Ci, Rplmt, Rear Panel	1
▽	6	222114	(10367557–) Gauge, Hourmeter, Lcd, Rt [5700]	1
▲	7	222683	(10000000–) Gasket, hourmeter	1
8	222534	(10367557–)	Button, Plug, 1.1 X 1.1H [Black Nyl]	2
▽	9	222282	(10000000–) Switch, Key, Spdt	1
▲	10	222684	(10000000–) Key, Set Of Two	1
11	374122	(10000000–)	Lamp Assy, Indicator, Red, 36Vdc	1
12	222216	(10000000–)	Gauge, Voltmeter, 27–40Vdc 2.2D	1
13	222215	(10000000–)	Gauge, Brush Pressure 2.25	1
14	1045174	(10367557–)	Switch, Rocker Mom/On/Mom	1
15	374121	(10367557–)	Lamp Assy, Indicator, Green, 36Vdc	2
16	383721	(10000000–)	Circuitbreaker, 10.0A	1
17	222267	(10000000–)	Screw, Pan, #06–20 X 0.50, Fmg	2
18	383723	(10000000–)	Circuitbreaker, 20.0A	2
19	383724	(10000000–)	Circuitbreaker, 25.0A	2
21	383720	(10000000–)	Circuitbreaker, 5.0A	1
22	10962	(10000000–)	Diode, Bridge 12 Amp	1
23	222639	(10000000–)	Seal, Rbr, .12 X .38 X 36.0	1
24	609969	(10000000–)	Plug, Hole, Hourmeter, Blk	1
25	39310	(10000000–)	Scr Hexssm 8X1.25 25	2
26	30013	(10000000–)	Washer–Flt .31 Fender Pltd	2
27	39311	(10000000–)	Nut, Hex, Std, M08 X 1.25	1
28	222747	(10000000–)	Bracket, Locking, Shroud	1
29	222879	(10000000–)	Bracket, Steering Adjustment	2
30	41141	(10000000–)	Washer, Lock, Int–Ext, .31	1
31	06549	(10000000–)	Nut, Hex, Lock, M05 X 0.8, NI	1
20	06934	(10000000–)	Screw, Pan, M05 X 0.8 X 20, 4.8	1

▽ – Identifies an assembly

▲ – Identifies parts included in assembly

STANDARD PARTS

Fig. 16 - Operator Console Group (S/N 1000000-10367556)

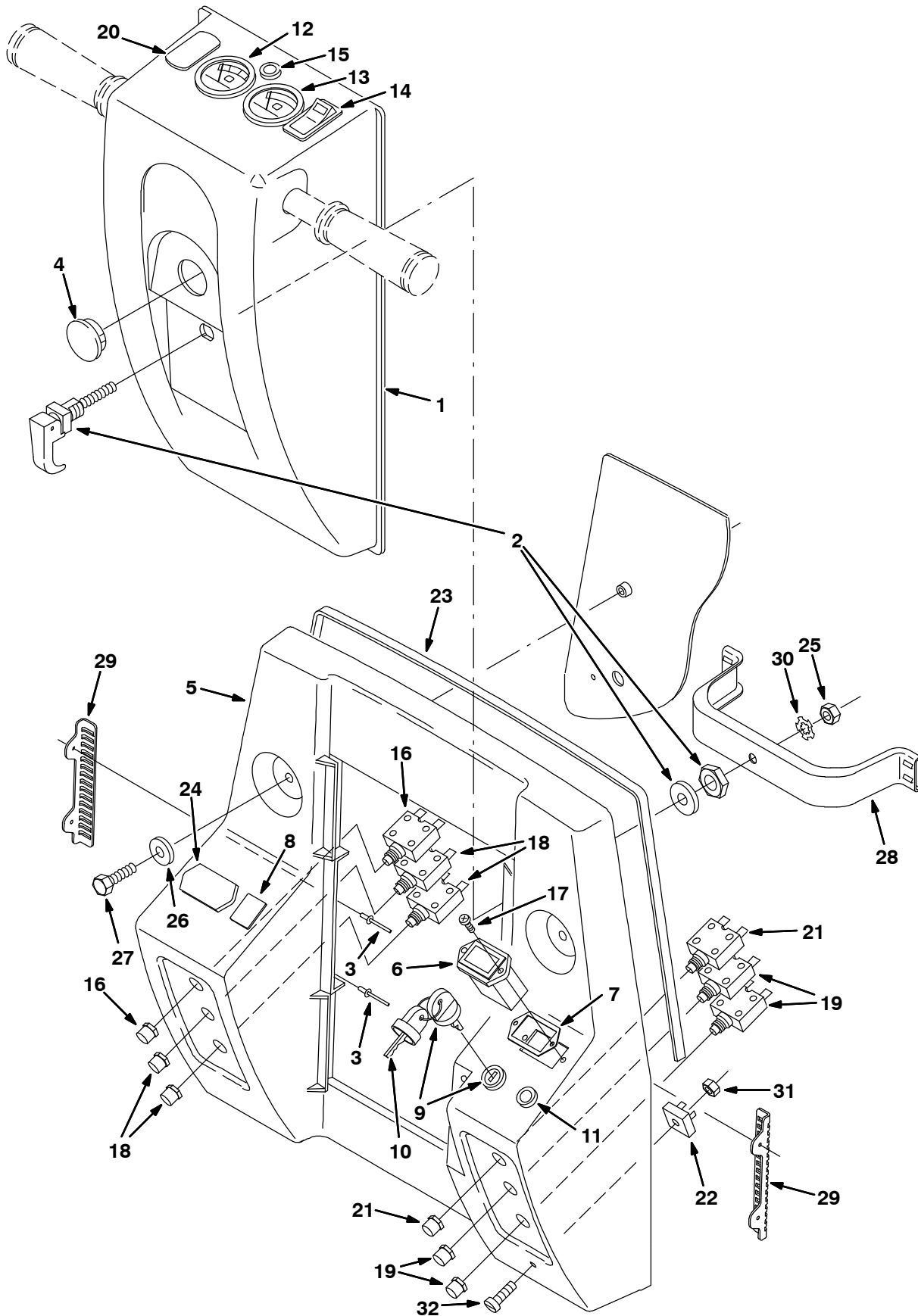


Fig. 16 – Operator Console Group (S/N 1000000–10367556)

Ref.	Part No.	Serial Number	Description	Qty.	
1	369761	(1000000–10367556)	Kit, Shroud And Label, Std	1	
2	222225	(1000000–)	Latch	1	
3	34738	(1000000–)	Rivet, Blind, .125D X 0.32 X .25D, Stl	4	
4	76888	(1000000–)	Button, Plug, 1.25H .00–.12 [Black Nyl]	1	
5	368590	(1000000–)	Kit, Ci, Rplmt, Rear Panel	1	
6	377433	(1000000–10367556)	Gauge, Hourmeter, 12–80vdc, Analog,Rt,.1	1	
7	222683	(1000000–)	Gasket, hourmeter	1	
8	222534	(1000000–)	Button, Plug, 1.1 X 1.1H [Black Nyl]	1	
▽	9	222282	(1000000–)	Switch, Key, Spdt	1
▲	10	222684	(1000000–)	Key, Set Of Two	1
11	374121	(1000000–)	Lamp Assy, Indicator, Green, 36Vdc	1	
12	222216	(1000000–)	Gauge, Voltmeter, 27–40Vdc 2.2D	1	
13	222215	(1000000–)	Gauge,Brush Pressure 2.25	1	
14	398506	(1000000–)	Switch, Rocker, Dpst	1	
15	374122	(1000000–)	Lamp Assy, Indicator, Red, 36Vdc	1	
16	383721	(1000000–)	Circuitbreaker, 10.0A	1	
17	222267	(1000000–)	Screw, Pan, #06–20 X 0.50, Fmg	2	
18	383723	(1000000–)	Circuitbreaker, 20.0A	2	
19	383724	(1000000–)	Circuitbreaker, 25.0A	2	
20	398501	(1000000–10367556)	Switch, Rocker, Hole Plug	1	
21	383720	(1000000–)	Circuitbreaker, 5.0A	1	
22	10962	(1000000–)	Diode, Bridge 12 Amp	1	
23	222639	(1000000–)	Seal, Rbr, .12 X .38 X 36.0	1	
24	609969	(1000000–)	Plug, Hole, Hourmeter, Blk	1	
25	39311	(1000000–)	Nut, Hex, Std, M08 X 1.25	1	
26	30013	(1000000–)	Washer–Flt .31 Fender Pltd	2	
27	39310	(1000000–)	Scr Hexssm 8X1.25 25	2	
28	222747	(1000000–)	Bracket, Locking, Shroud	1	
29	222879	(1000000–)	Bracket, Steering Adjustment	2	
30	41141	(1000000–)	Washer, Lock, Int–Ext, .31	1	
31	06549	(1000000–)	Nut, Hex, Lock, M05 X 0.8, NI	1	
32	06934	(1000000–)	Screw, Pan, M05 X 0.8 X 20, 4.8	1	

▽ – Identifies an assembly

▲ – Identifies parts included in assembly

STANDARD PARTS

Fig. 17 - Electrical Panel Group (S/N 10367557-)

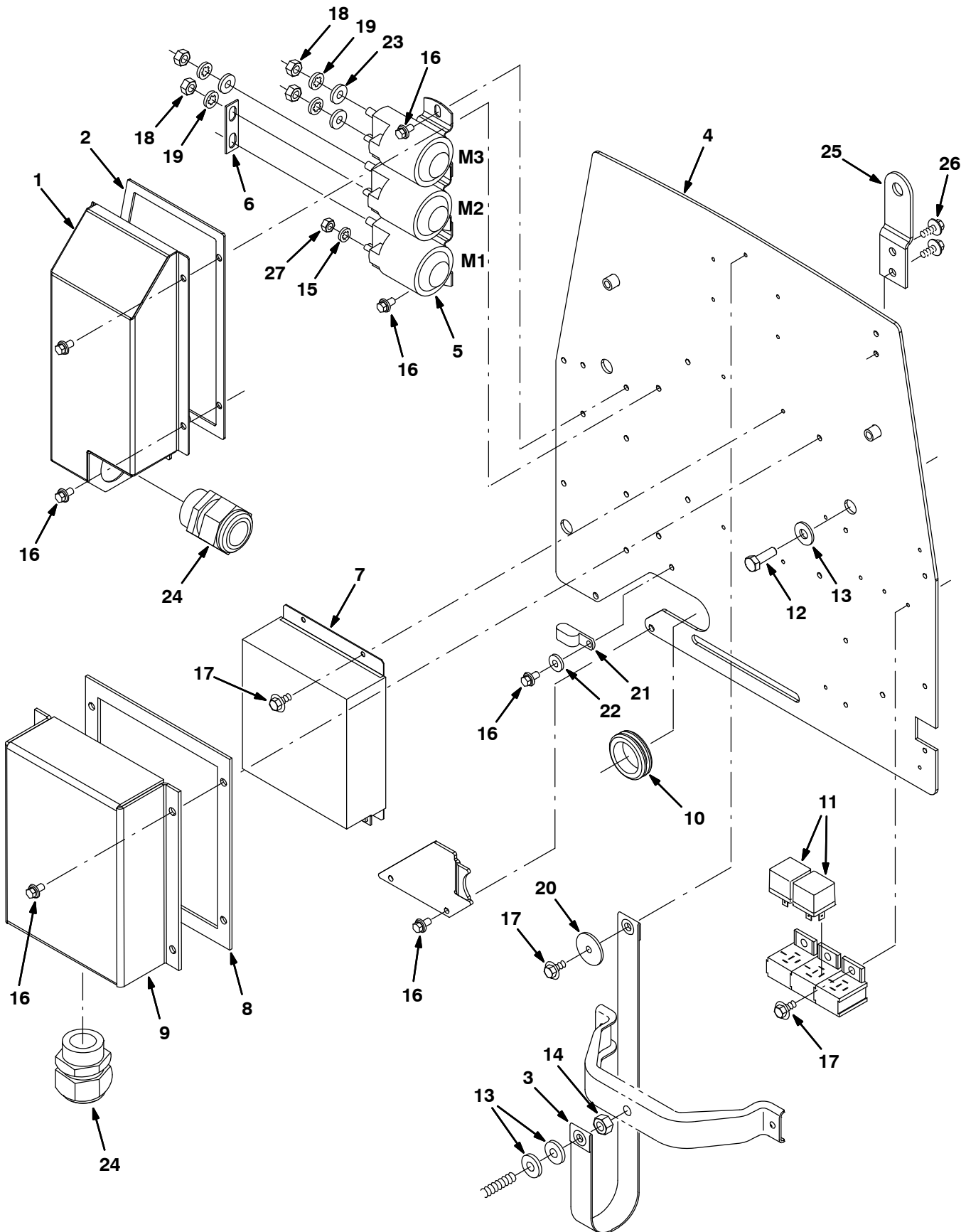


Fig. 17 – Electrical Panel Group (S/N 10367557–)

Ref.	Part No.	Serial Number	Description	Qty.
1	1040907	(10367557–) Housing, Enclosure, Contactor, [5700ee]	1
2	1042020	(10367557–) Gasket, Cover [5700 EE]	1
3	222450	(10000000–) Strap, Lanyard	1
4	1034019	(10335670–) Plate Wldt, Ele, [5700 EE]	1
5	45405	(10335670–) Contactor, 36Vdc	2
6	769251	(10335670–) Busbar, .06 0.6w 2.1l 2/.34x.63slot	1
7	222220	(10000000–) Controller, Propel	1
8	222739	(10000000–) Gasket, Neo, .12, 07.24W, 08.31L, Adh	1
9	222723	(10000000–) Cover, Circuitboard [EE]	1
10	10632–13	(10000000–) Grommet,Rbr,1.50ld,For .19Matl	1
11	222111	(10367557–) Relay, 36vdc, 20a [Pokorny]	2
12	12333	(10000000–) Scr–Hexssm 8X1.25 25 NylInloc	4
13	01685	(10000000–) Washer, Flat, 0.38b 0.88d .08, Ss	6
14	39311	(10000000–) Nut, Hex, Std, M08 X 1.25	1
15	32980	(10335670–) Washer, Lock, Int, #10	2
16	222158	(10335670–) Screw, Hex, M 6 X 1.0 X 10, Fmg	15
17	16944	(10335670–) Screw, Hex, M 4 X 0.7 X 10, Fmg	8
18	20170	(10335670–) Nut, Hex, Jam, .31–24	6
19	32984	(10335670–) Washer, Lock, Int, .31	6
20	41178	(10335670–) Washer, Flat, 0.25 Fender	1
21	1009318	(10335670–) Clamp, Cable, Stl, 0.6x1.2x0.75w, 1h	1
22	32490	(10335670–) Washer, Flat, 0.25 Std	1
23	39349	(10335670–) Washer, Flat, 0.31 Sae	4
24	222726	(10000000–) Strainrelief, .72/.97 Cord, 1.47d	2
25	1033887	(10335670–) Pin, Lock, Tank [5700EE]	1
26	74455	(10335670–) Screw, Hex, M 6 X 1.0 X 12, Fmg	2
27	01713	(10335670–) Nut, Hex, Std, #10–32, 2	2

STANDARD PARTS

Fig. 18 - Electrical Panel Group (S/N 10335670-10367556)

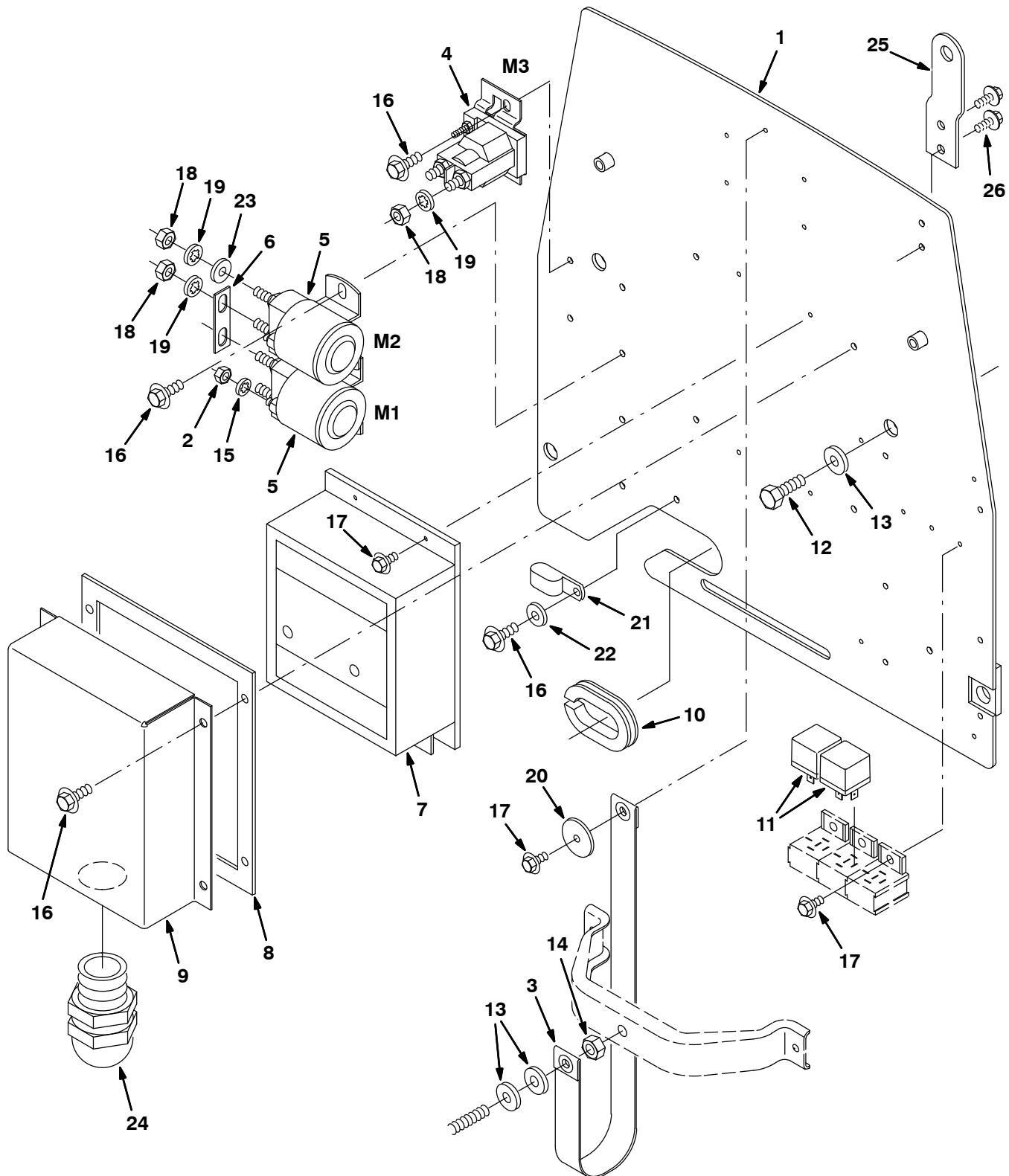


Fig. 18 – Electrical Panel Group (S/N 10335670–10367556)

Ref.	Part No.	Serial Number	Description	Qty.
1	1034019	(10335670–) Plate Wldt, Ele, [5700/XP/EE]	1
2	01713	(10335670–) Nut, Hex, Std, #10–32, 2	2
3	222450	(10000000–) Strap, Lanyard	1
4	386810	(10335670–10367556) Contactor, 36Vdc	1
5	45405	(10000000–) Contactor, 36Vdc	2
6	769251	(10335670–) Busbar, .06 0.6w 2.1l 2/.34x.63slot	1
7	222220	(10000000–) Controller, Propel	1
8	222739	(10000000–) Gasket, Neo, .12, 07.24W, 08.31L, Adh	1
9	222723	(10000000–) Cover, Circuitboard [EE]	1
10	10632–13	(10000000–) Grommet,Rbr,1.50ld,For .19Matl	1
11	398526	(10335670–10367556) Relay, 36Vdc, 005A, Spdt	2
12	12333	(10000000–) Scr–Hexssm 8X1.25 25 NylInloc	4
13	01685	(10000000–) Washer, Flat, 0.38b 0.88d .08, Ss	6
14	39311	(10000000–) Nut, Hex, Std, M08 X 1.25	1
15	32980	(10335670–) Washer, Lock, Int, #10	2
16	222158	(10335670–) Screw, Hex, M 6 X 1.0 X 10, Fmg	10
17	16944	(10335670–) Screw, Hex, M 4 X 0.7 X 10, Fmg	8
18	20170	(10335670–) Nut, Hex, Jam, .31–24	6
19	32984	(10335670–) Washer, Lock, Int, .31	6
20	41178	(10335670–) Washer, Flat, 0.25 Fender	1
21	1009318	(10335670–) Clamp, Cable, Stl, 0.6x1.2x0.75w, 1h	1
22	32490	(10335670–) Washer, Flat, 0.25 Std	1
23	39349	(10335670–) Washer, Flat, 0.31 Sae	2
24	222726	(10000000–) Strainrelief, .72/.97 Cord, 1.47d	1
25	1033887	(10335670–) Pin, Lock, Tank [5700EE]	1
26	74455	(10335670–) Screw, Hex, M 6 X 1.0 X 12, Fmg	2

Fig. 19 – Electrical Panel Group (S/N 1000000–10335669)

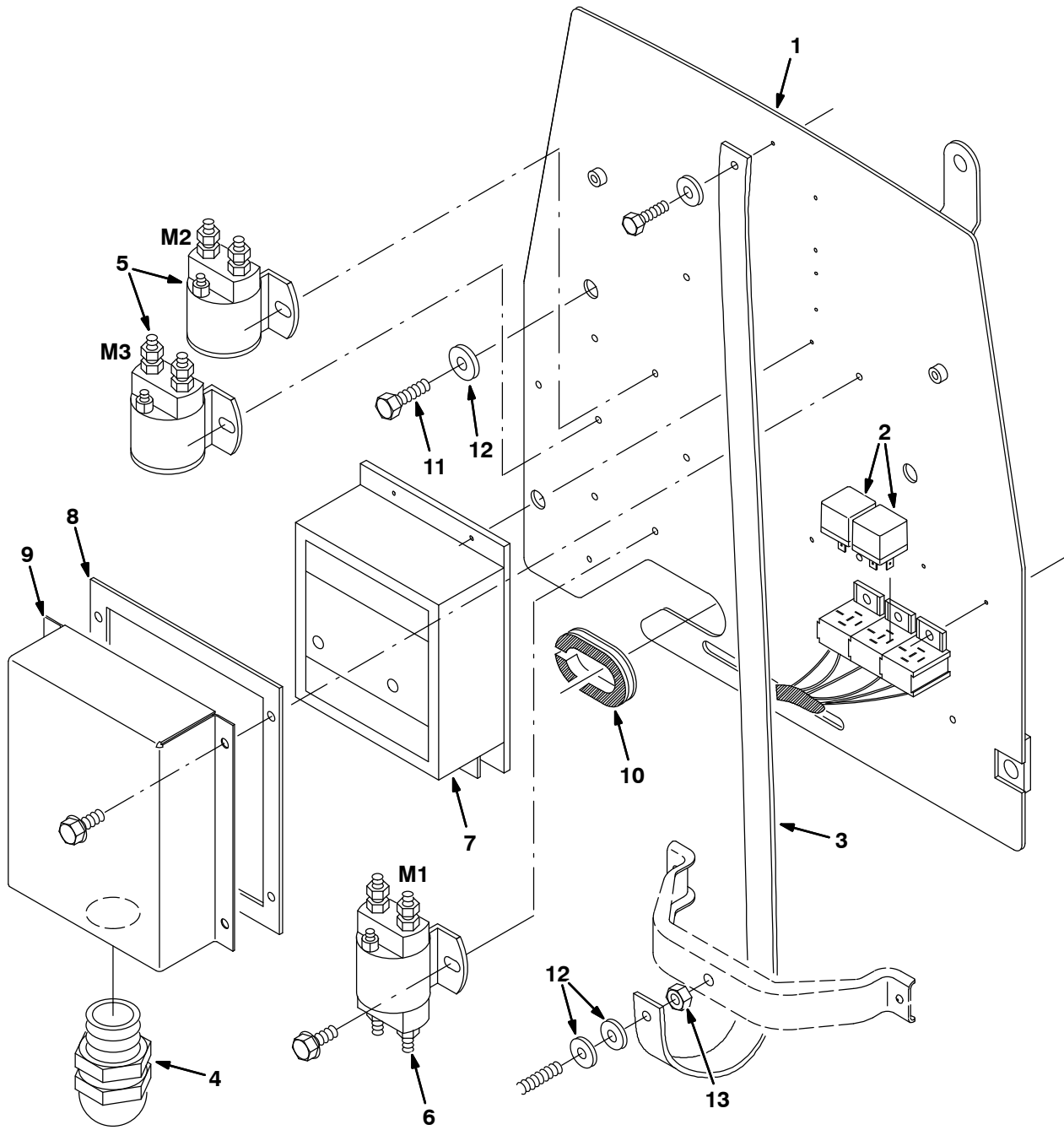


Fig. 19 – Electrical Panel Group (S/N 10000000–10335669)

Ref.	Part No.	Serial Number	Description	Qty.
1	222725	(10000000–10335669)	Plate Wldt, Electronics	1
2	222111	(10000000–10335669)	Relay, Control 36V	2
3	222450	(10000000–)	Strap, Lanyard	1
4	222726	(10000000–)	Ftg, Plstc Str Specl	1
5	45405	(10000000–)	Contactora, 36Vdc	2
6	63291	(10000000–10335669)	Contactora, Power	1
7	222220	(10000000–)	Controller, Propel	1
8	222739	(10000000–)	Gasket, Cover, Ee	1
9	222723	(10000000–)	Cover, Control Board, Ee	1
10	10632–13	(10000000–)	Grommet,Rbr,1.50ld,For .19Matl	1
11	12333	(10000000–)	Scr–Hexssm 8X1.25 25 NylInloc	4
12	01685	(10000000–)	Washer, Flat, 0.38b 0.88d .08, Ss	6
13	39311	(10000000–)	Nut, Hex, Std, M08 X 1.25	1

Fig. 20 – Squeegee Lift Group

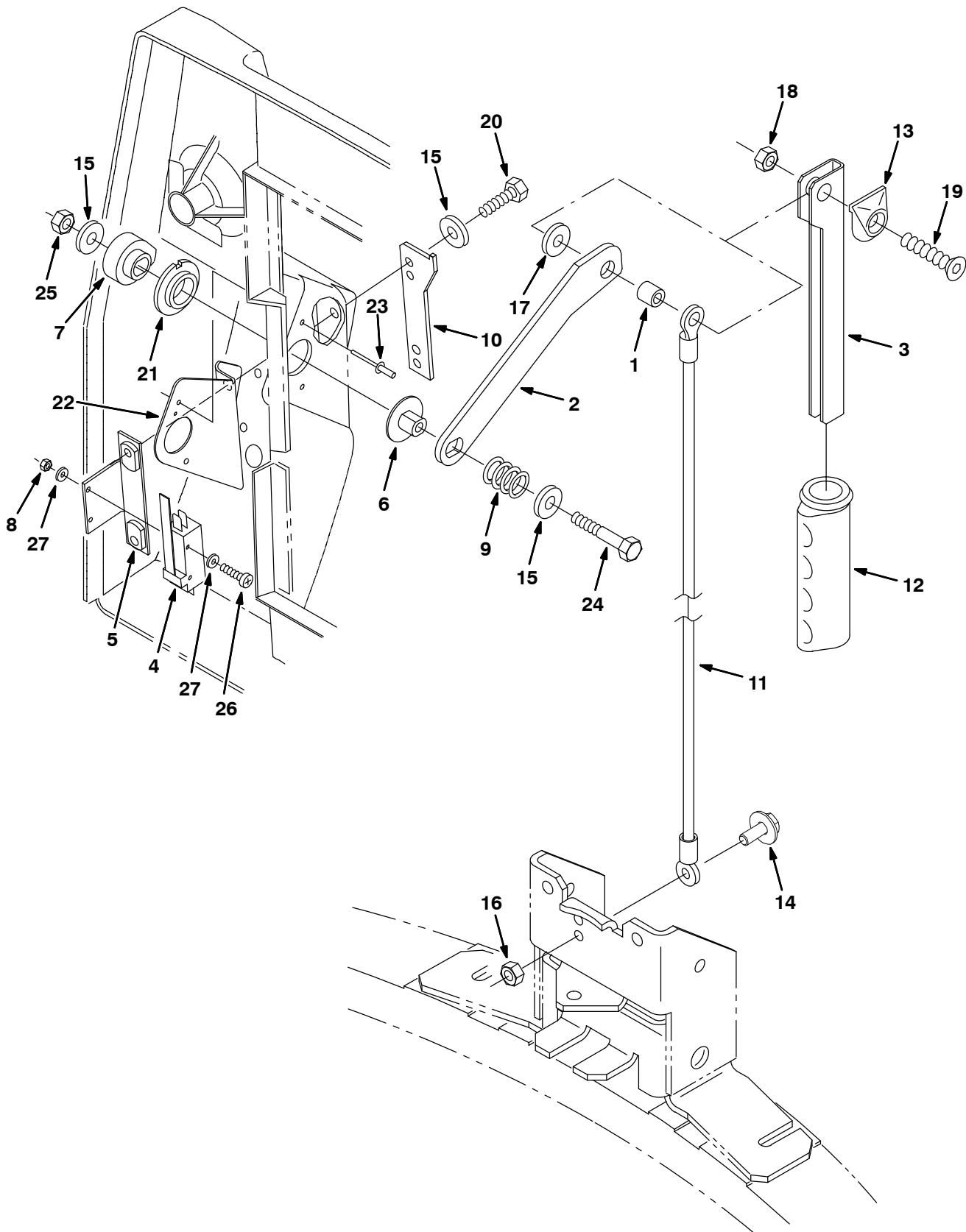


Fig. 20 – Squeegee Lift Group

Ref.	Part No.	Serial Number	Description	Qty.
1	222460	(10000000–) Sleeve	1
2	222139	(10000000–) Lever, Squeegee Lift	1
3	222448	(10000000–) Lever, Squeegee Lift, Upper	1
4	1045175	(10000000–) Switch, Snap Actn, 250vac	1
5	222402	(10000000–) Bracket, Fan Switch	1
6	374745	(10000000–) Pivot, Squeegee Lift	1
7	222400	(10000000–) Cam, Fan Switch	1
8	01754	(10000000–) Nut, Hex, Std, M3 X 0.5, 8	2
9	57889	(10000000–) Sprng,Comp,0.59Idx.05Wire 0.6L	1
10	222138	(10000000–) Bracket, Catch	1
11	222227	(10000000–) Cable, Squeegee Lift	1
12	222647	(10000000–) Grip, Handle [Oblong]	1
13	222665	(10000000–) Bumper, Handle	1
14	1034731	(10000000–) Screw, Hex, M6 X 1.00 X 16, Ss, Sems	1
15	01684	(10000000–) Washer, Flat, 0.27b 0.69d .05, Ss	4
16	08712	(10000000–) Nut Hxlocnyln M 6X1.0 Reg Ss	1
17	01685	(10000000–) Washer, Flat, 0.38b 0.88d .08, Ss	1
18	08713	(10000000–) Nut–Hxlocnyln M 8X1.25 Reg18–8	1
19	79506	(10000000–) Scr–Flt M 8X1.25 30 Ss18–8	1
20	11329	(10000000–) Screw Hexssm 6X1.0 16 Nylonloc	2
21	222868	(10000000–) Bearing, Flange	1
22	222867	(10000000–) Plate, Squeegee Pivot	1
23	34738	(10000000–) Rivet, Pop–.125D X .32 X .25Dhd St	2
24	06948	(10000000–) Screw, Hex, M06 X 1.0 X 45, 8.8	1
25	08708	(10000000–) Nut, Hex, Lock, M06 X 1.0, NI	1
26	06923	(10000000–) Screw, Pan, M3 X 0.5 X 25, 4.8	2
27	01757	(10000000–) Washer, Lock, Int, M3 Ss	2

Fig. 21 – Squeegee Linkage Group

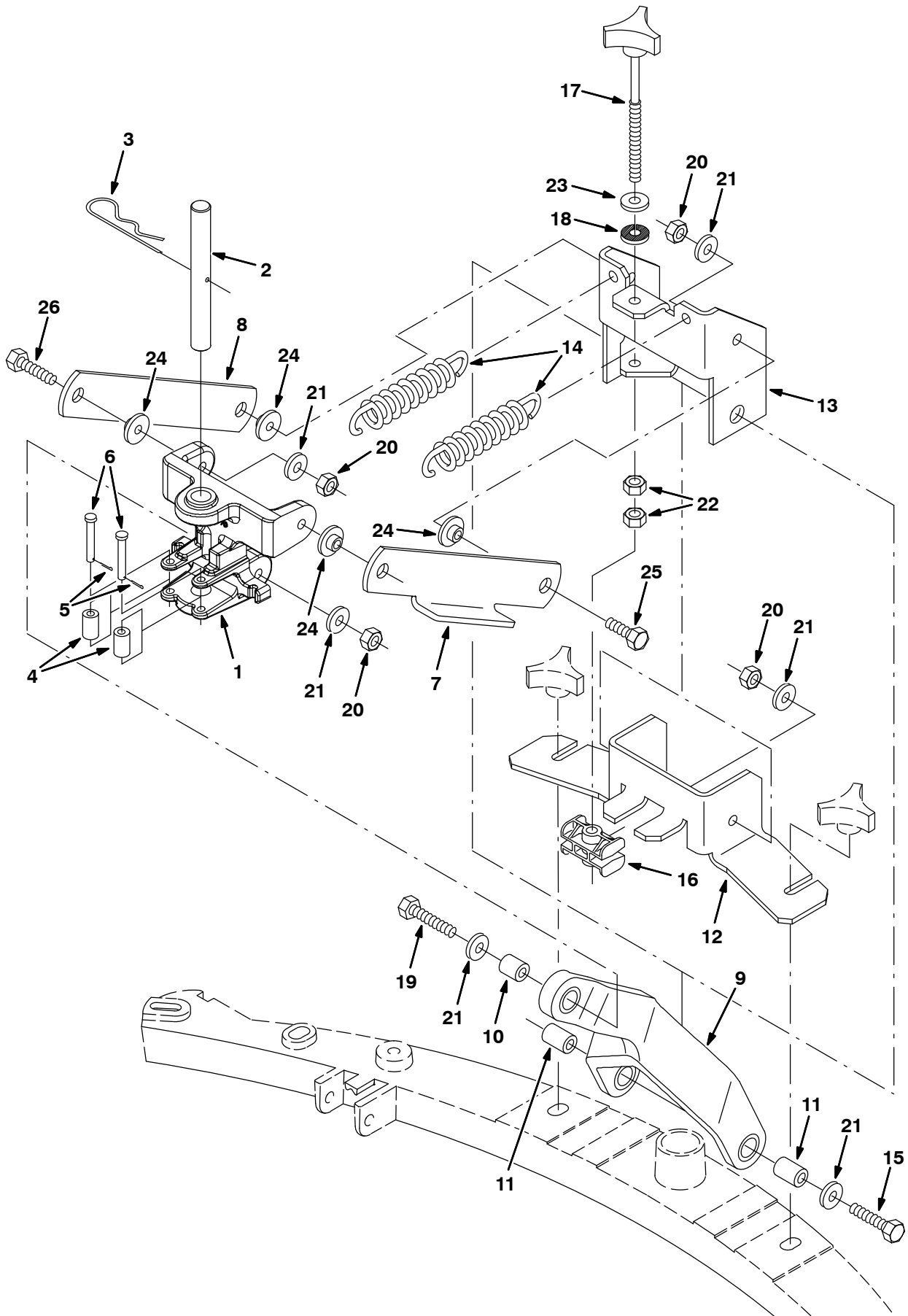


Fig. 21 – Squeegee Linkage Group

Ref.	Part No.	Serial Number	Description	Qty.
1	1030870	(10000000–) Block, Pivot, Mach	1
2	222239	(10000000–) Pin, Pivot Block	1
3	02942	(10000000–) Pin, Hair Cotter .12Wire 2.37SI	1
4	222468	(10000000–) Roller, Sqge Centering	2
5	08178	(10000000–) Pin, Cotter .062X0.75	2
6	05283	(10000000–) Pin, Clevis 6 Dia X 40 Lg	2
7	1018718	(10000000–) Link, Sqge, Upper, Lh	1
8	397820	(10000000–) Link, Sqge, Upper	1
9	222234	(10000000–) Link, Squeegee Lift, Lower	1
10	222248	(10000000–) Sleeve, .344B .62D.72 Bronze	1
11	222277	(10000000–) Sleeve, .344B .62D.93 Bronze	2
12	222230	(10000000–) Bracket, Linkage, Lower	1
13	222231	(10000000–) Bracket, Linkage, Upper	1
14	222236	(10000000–) Spring, Tension	2
15	09026	(10000000–) Scr Hexssm 8X1.25 40	2
16	222233	(10000000–) Block, Squeegee, Adjust	1
17	222153	(10000000–) Knob, W/M8 1.25X125Lg Stud	1
18	63416	(10000000–) Washer, .31OB .88D .12Rbr	1
19	222505	(10000000–) Scr Hexssm 8X1.25 45	1
20	08713	(10000000–) Nut–Hxlocnyln M 8X1.25 Reg Ss	7
21	01685	(10000000–) Washer, Flat, 0.38b 0.88d .08, Ss	10
22	07786	(10000000–) Nut Hx Ss M 8X1.25	2
23	01686	(10000000–) Washer Flt .38 Ss	1
24	80950	(10000000–) Bushing, Flng, 0.32b 0.50d 0.24l, Bnz	4
25	09010	(10000000–) Screw, Hex, M8 X 1.25 X 25, Ss	2
26	09023	(10000000–) Screw, Hex, M8 X 1.25 X 35, Ss, Fl	2

Fig. 22 – Squeegee Group, Model 800, 800 mm (32 in)

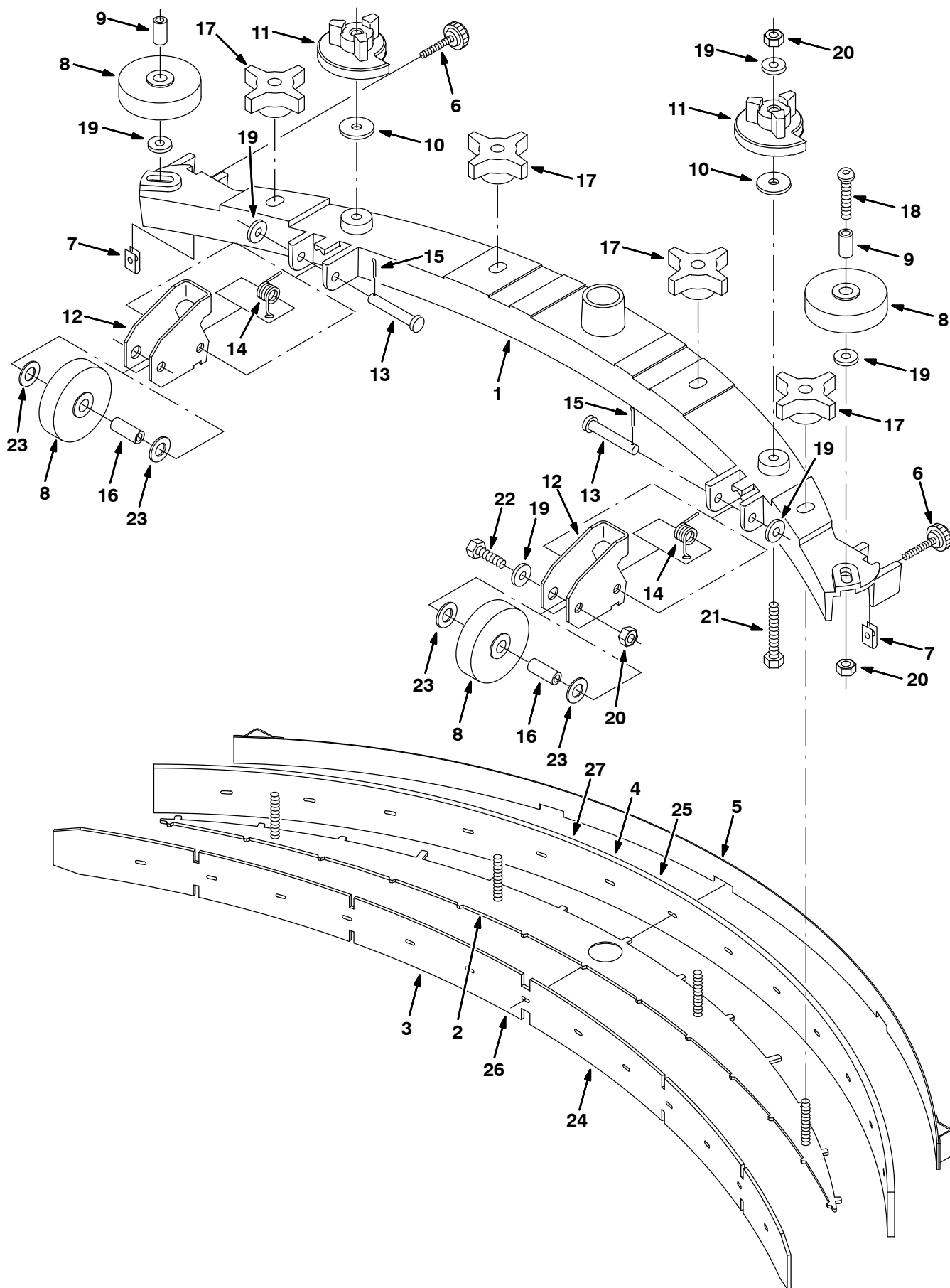


Fig. 22 – Squeegee Group, Model 800, 800 mm (32 in)

Ref.	Part No.	Serial Number	Description	Qty.
▽	397749	(10000000–)) Kit, Ci, Sqge, Assy, [5680/5700] [800]	1
▲	1 222134	(10000000–)) Frame, Squeegee 32"	1
▲	2 222240	(10000000–)) Plate, Blade Retainer 32	1
▲	3 222241	(10000000–)) Blade, Squeegee,Front, 32"	1
▲	4 222242	(10000000–)) Blade, Squeegee,Rear, 32"	1
▲	5 222243	(10000000–)) Band Wldt, Sqge 32	1
▲	6 222794	(10000000–)) Knob, W1.25–20X1.5Lg Stud	2
▲	7 82138	(10000000–)) Nut Speed,Retainer, .25–20 Thd	2
▲	8 222066	(10000000–)) Wheel, 3.0 Dia	4
▲	9 222496	(10000000–)) Sleeve	2
▲	10 222268	(10000000–)) Washer, .375B 1.25D .12Neopre	2
▲	11 222244	(10000000–)) Cam, Adj, Sqge	2
▲	12 222245	(10000000–)) Bracket, Mtg, Wheel	2
▲	13 222260	(10000000–)) Pin, Clevis, 0.37 Dia 2.25Lg	2
▲	14 222130	(10000000–)) Spring, Torsion, Wheel	2
▲	15 39005	(10000000–)) Pin, Cotter .094X0.75	2
▲	16 222497	(10000000–)) Sleeve	2
▲	17 370100	(10000000–)) Knob, 4 Prongs w/.31–8 Insert	4
▲	18 397826	(10000000–)) Screw, Btn, M8 X 1.25 X 40, Ss18–8	2
▲	19 01685	(10000000–)) Washer, Flat, 0.38b 0.88d .08, Ss	8
▲	20 08713	(10000000–)) Nut–Hxlocnyln M 8X1.25 Reg Ss	6
▲	21 09767	(10000000–)) Scr Hexssm 8X1.25 70	2
▲	22 49694	(10000000–)) Scr Hex Ssm 8X1.25 50	2
▲	23 32486	(10000000–)) Washer, Flt, .50 Sae	4
▽	222423	(10000000–)) Squeegee Kit F/Tile Gumrbr 800	1
▲	24 222384	(10000000–)) Blade, Squeegee, Tile, 32"	1
▲	25 222386	(10000000–)) Blade, Squeegee, Rear,Gum 32"	1
▽	222429	(10000000–)) Squeegee Kit Oil Rs Urethn 800	1
▲	26 222392	(10000000–)) Blade, Sqge Front,32" Oil Rst	1
▲	27 222388	(10000000–)) Blade, Sqge, Rear 32" Oil Resi	1

▽ – Identifies an assembly

▲ – Identifies parts included in assembly

Fig. 23 - Electrical Schematic (S/N 10335670-)

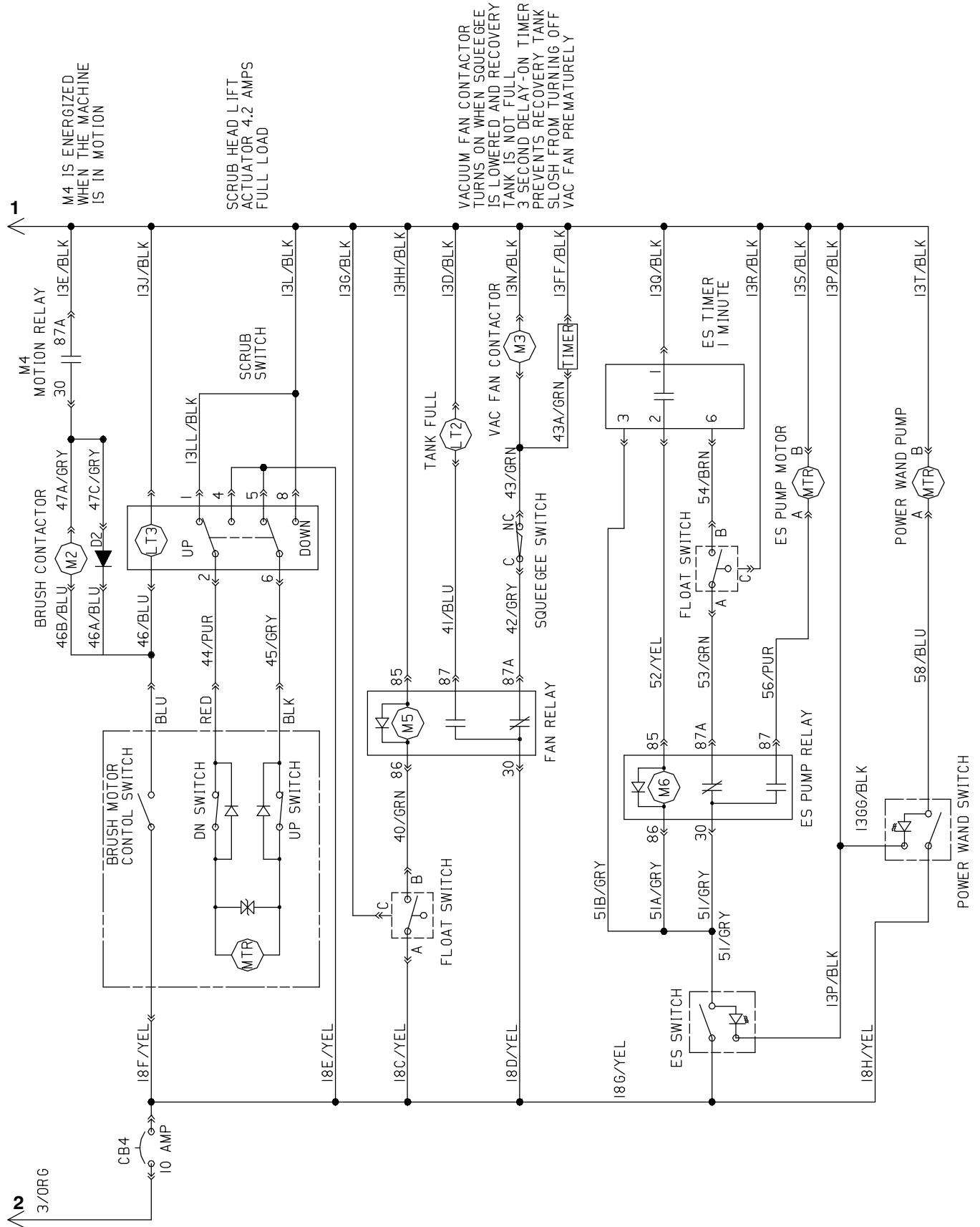


Fig. 24 - Electrical Schematic (S/N 1000000-10335669)

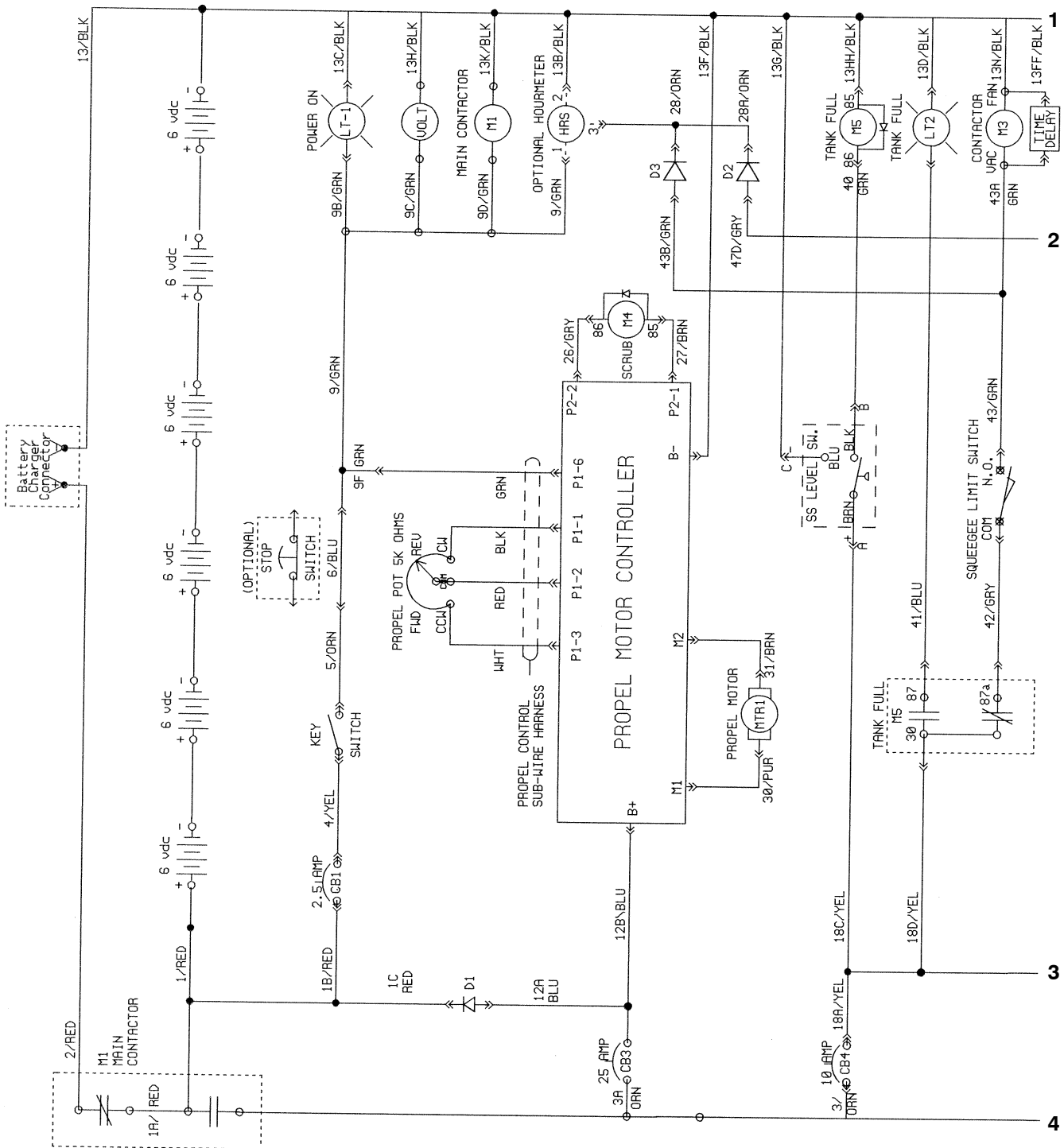


Fig. 24 - Electrical Schematic (S/N 1000000-10335669)

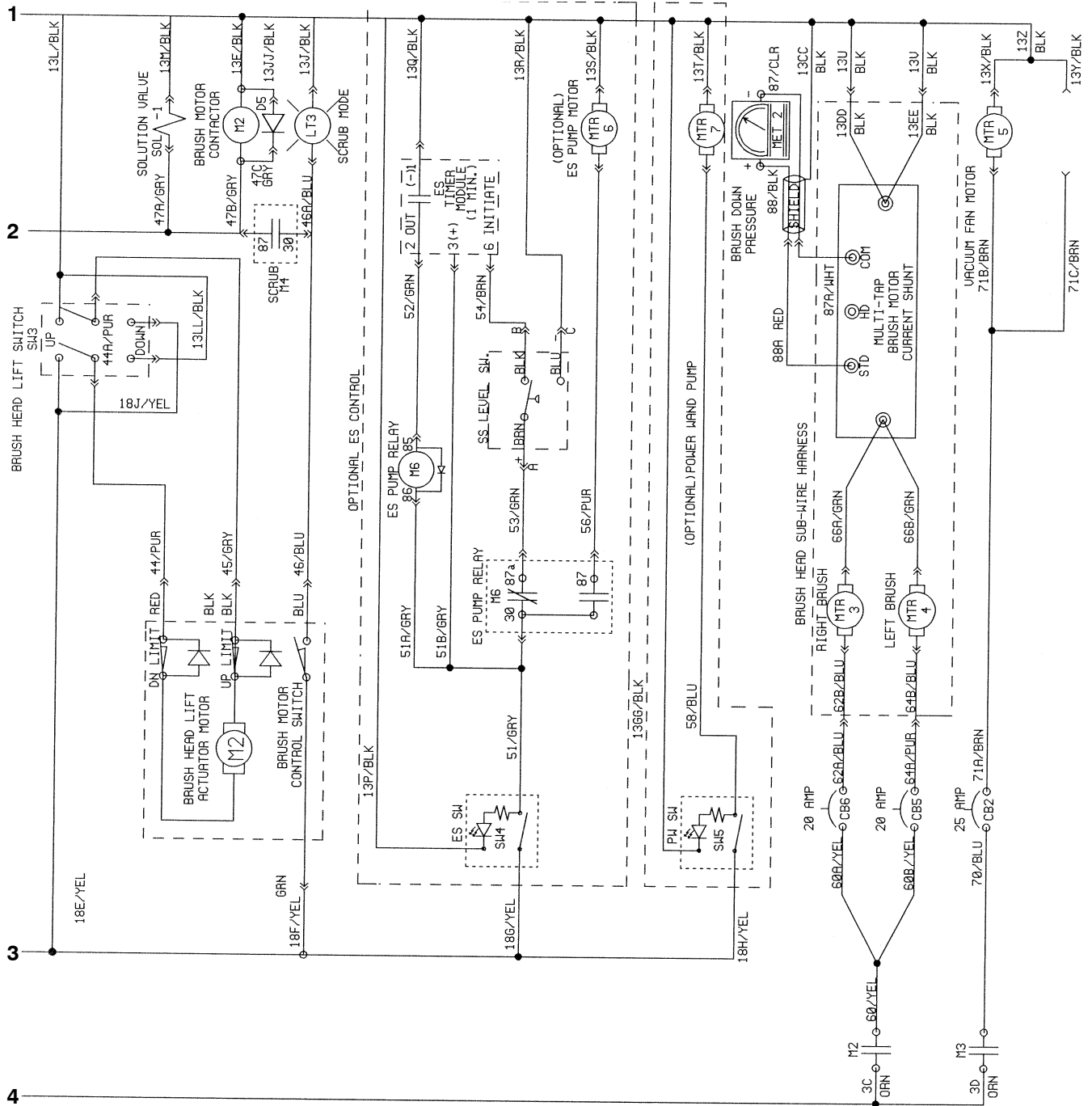


Fig. 25 - Electrical Wire Harness Group (S/N 10436743-)

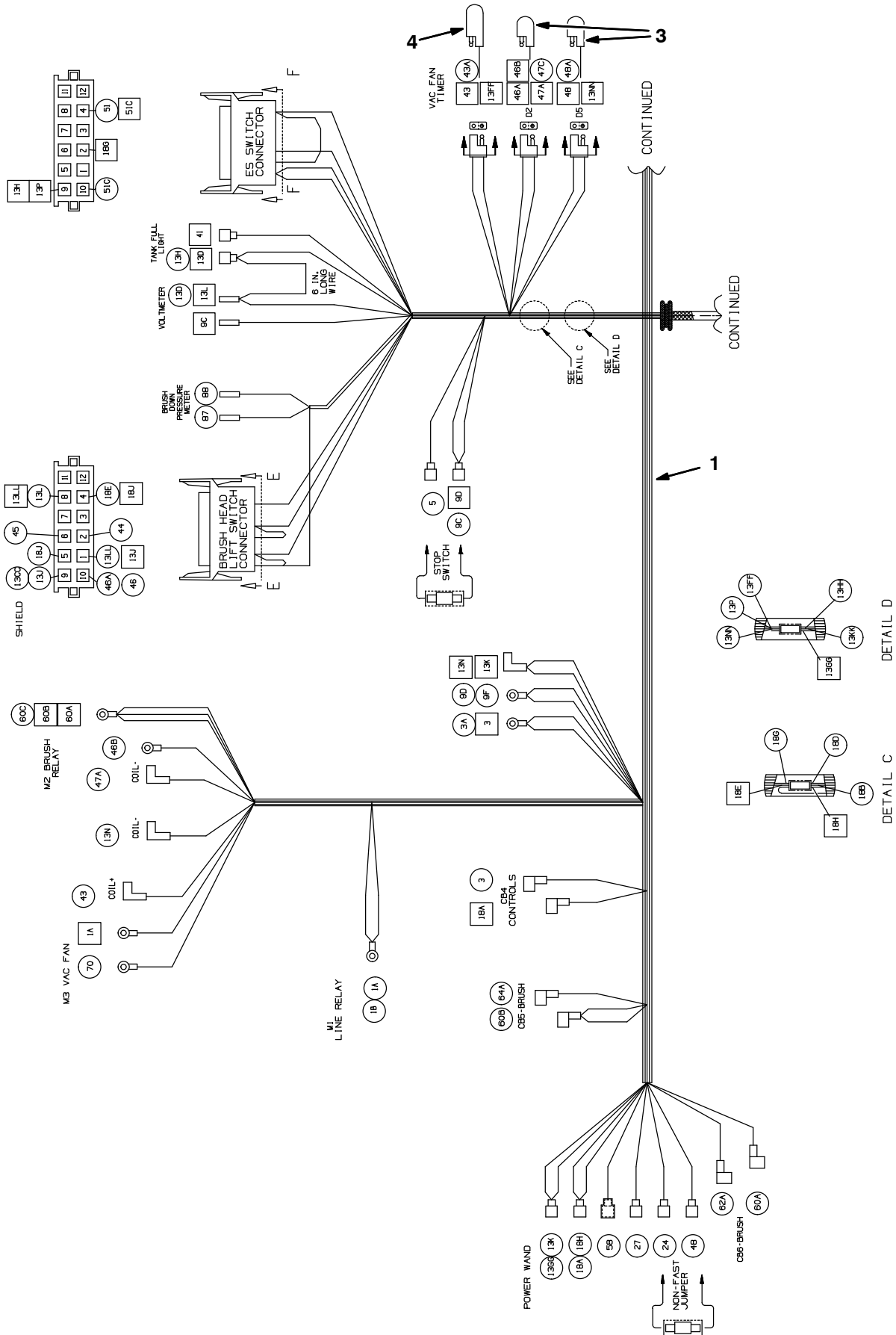
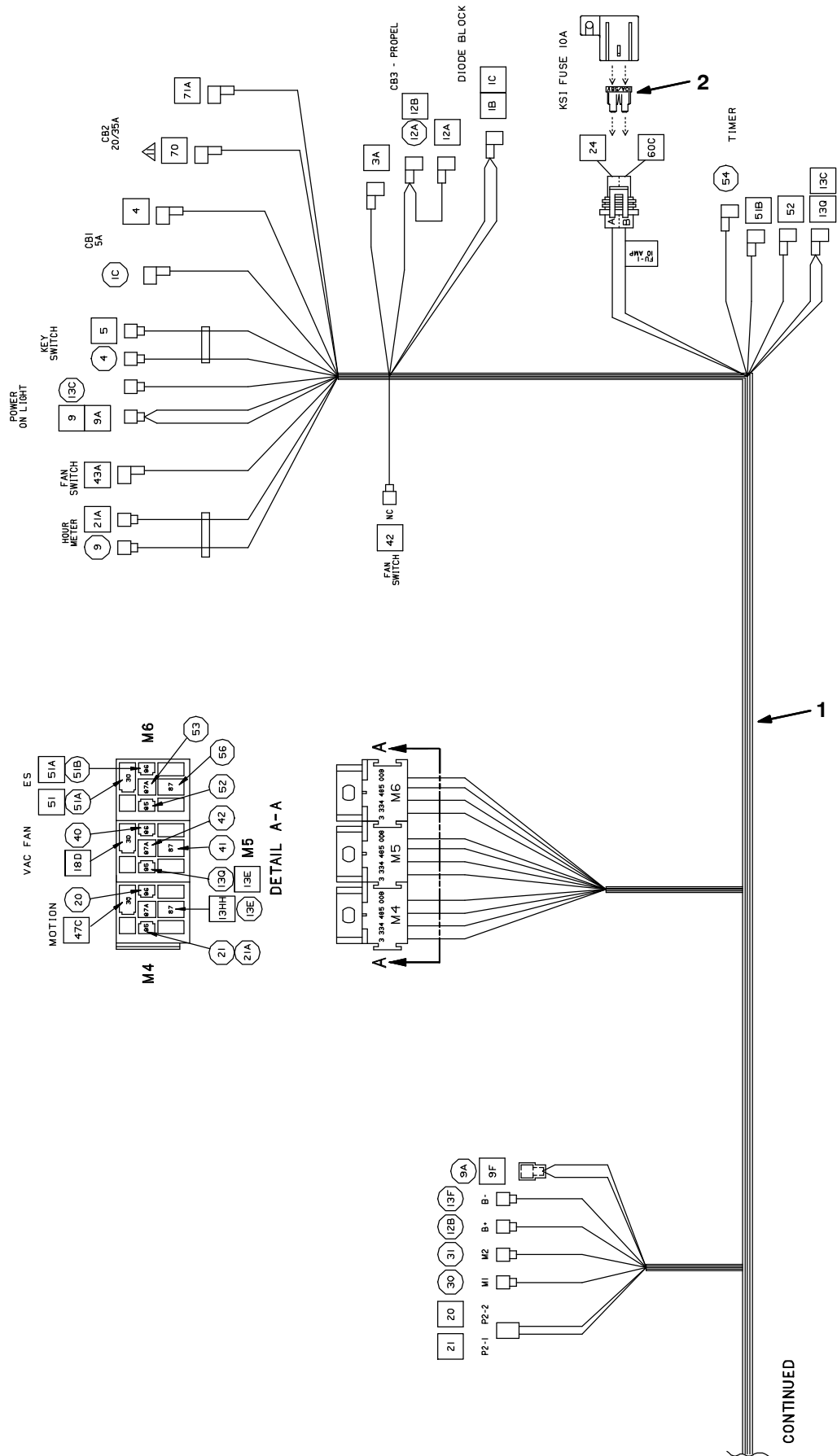


Fig. 25 - Electrical Wire Harness Group (S/N 10436743-)



CONTINUED

Fig. 25 - Electrical Wire Harness Group (S/N 10436743-)

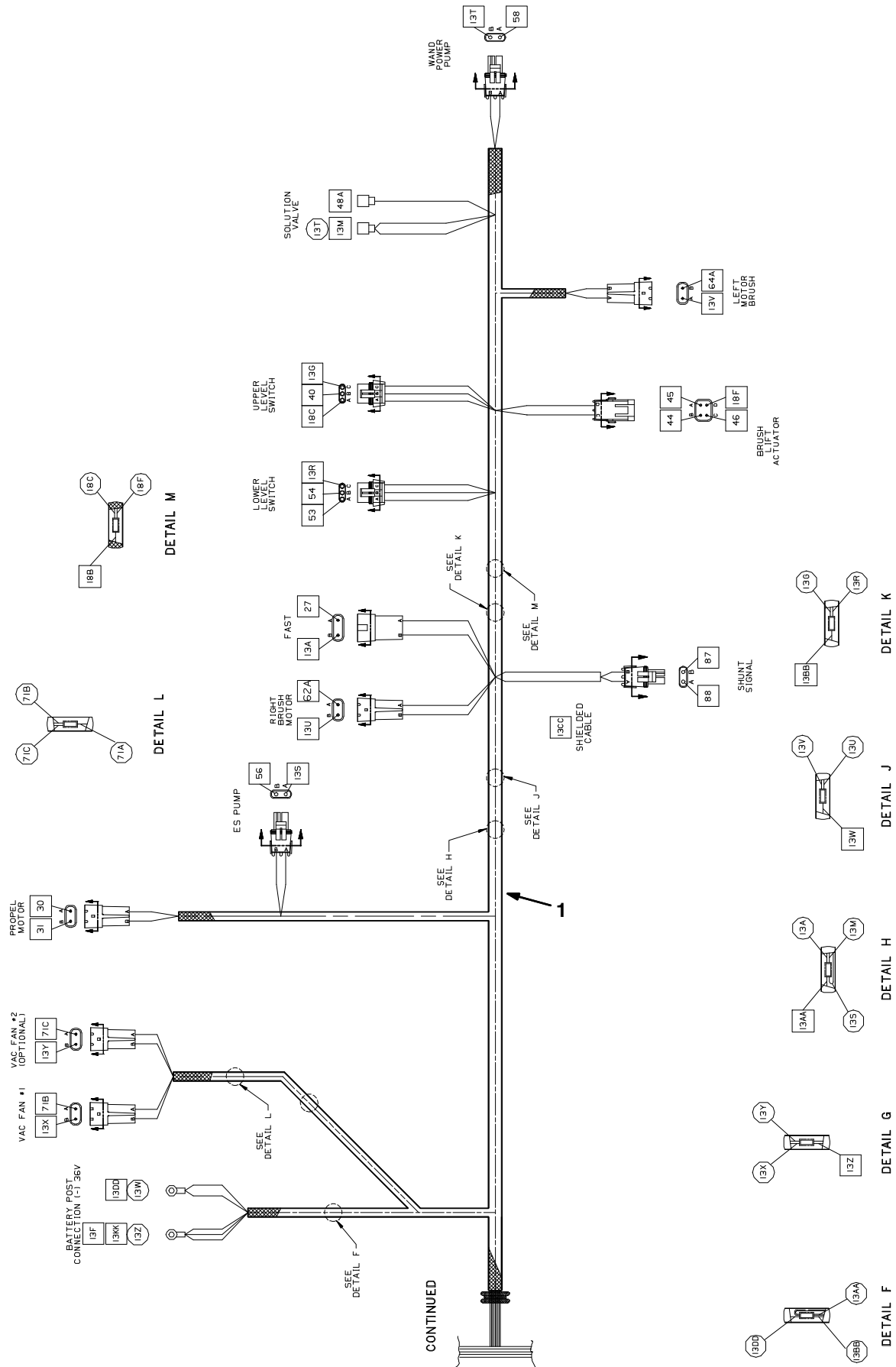


Fig. 25 – Electrical Wire Harness Group (S/N 10436743–)

	Ref.	Part No.	Serial Number	Description	Qty.
▽	1	1055166	(10436743–)	Harness, Main [5700]	1
▲	2	393149	(10335670–)	Fuse, Blade, 10a, 58vdc	1
	3	222290	(10335670–)	Diode, Ele, Plug	2
	4	222707	(10335670–)	Capacitor, Electric, Plug	1
		222666	(10335670–)	Clamp, Cable, Ribbon, 1.25w 0.25h Plstc	1

▽ – Identifies an assembly

▲ – Identifies parts included in assembly

Fig. 26 - Electrical Wire Harness Group (S/N 10378922-10436742)

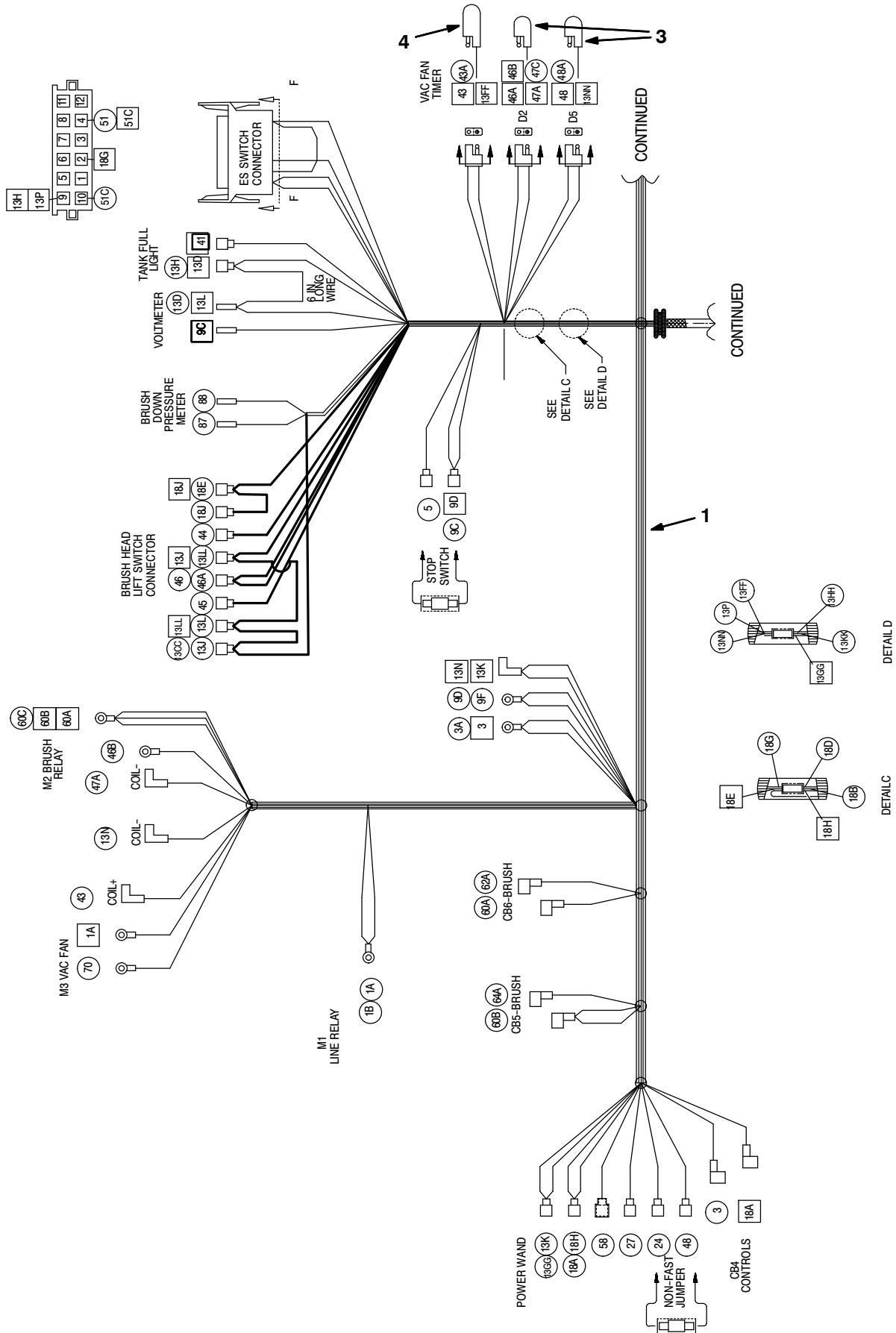
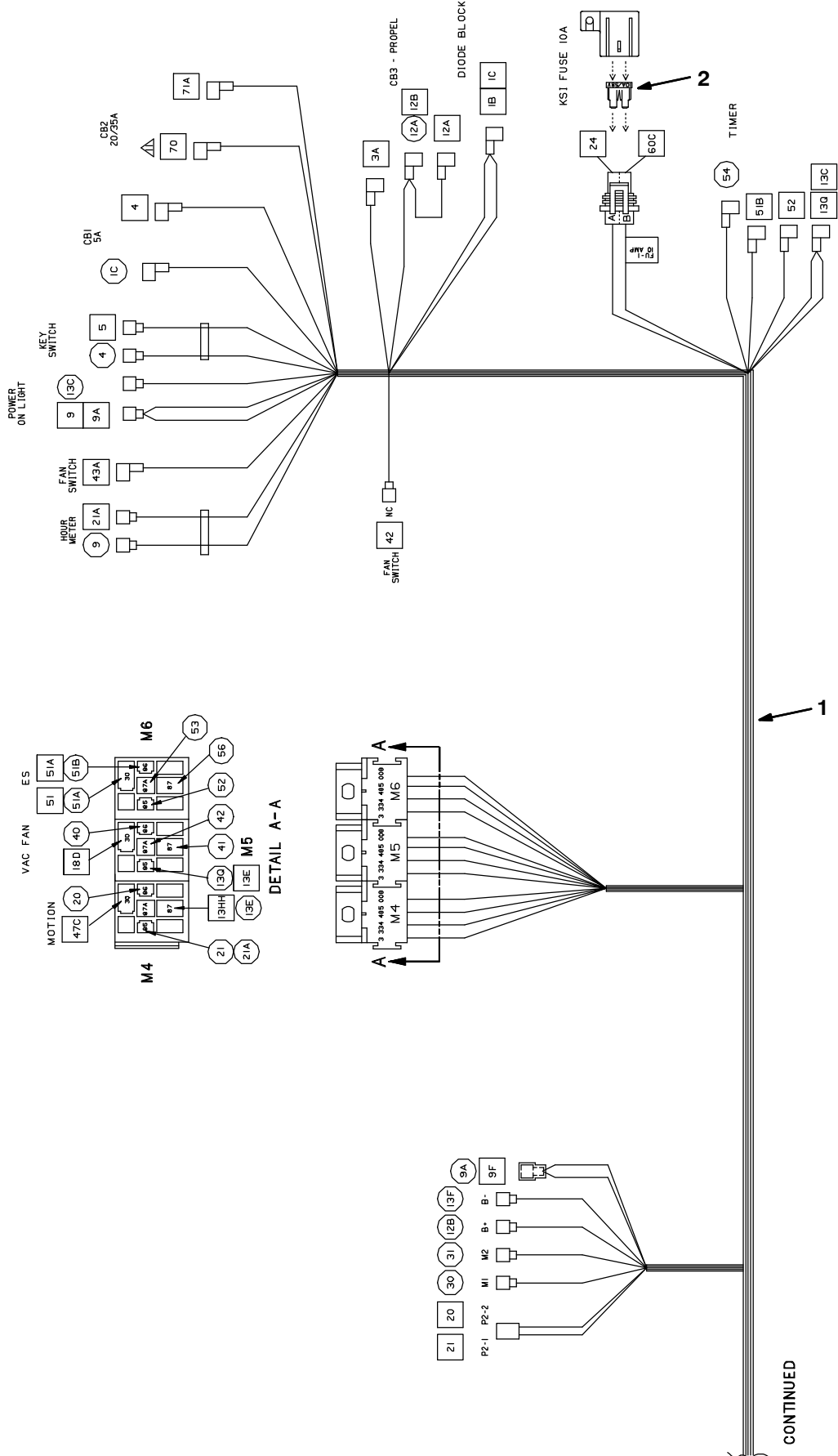


Fig. 26 - Electrical Wire Harness Group (S/N 10378922-10436742)



CONTINUED

Fig. 26 - Electrical Wire Harness Group (S/N 10378922-10436742)

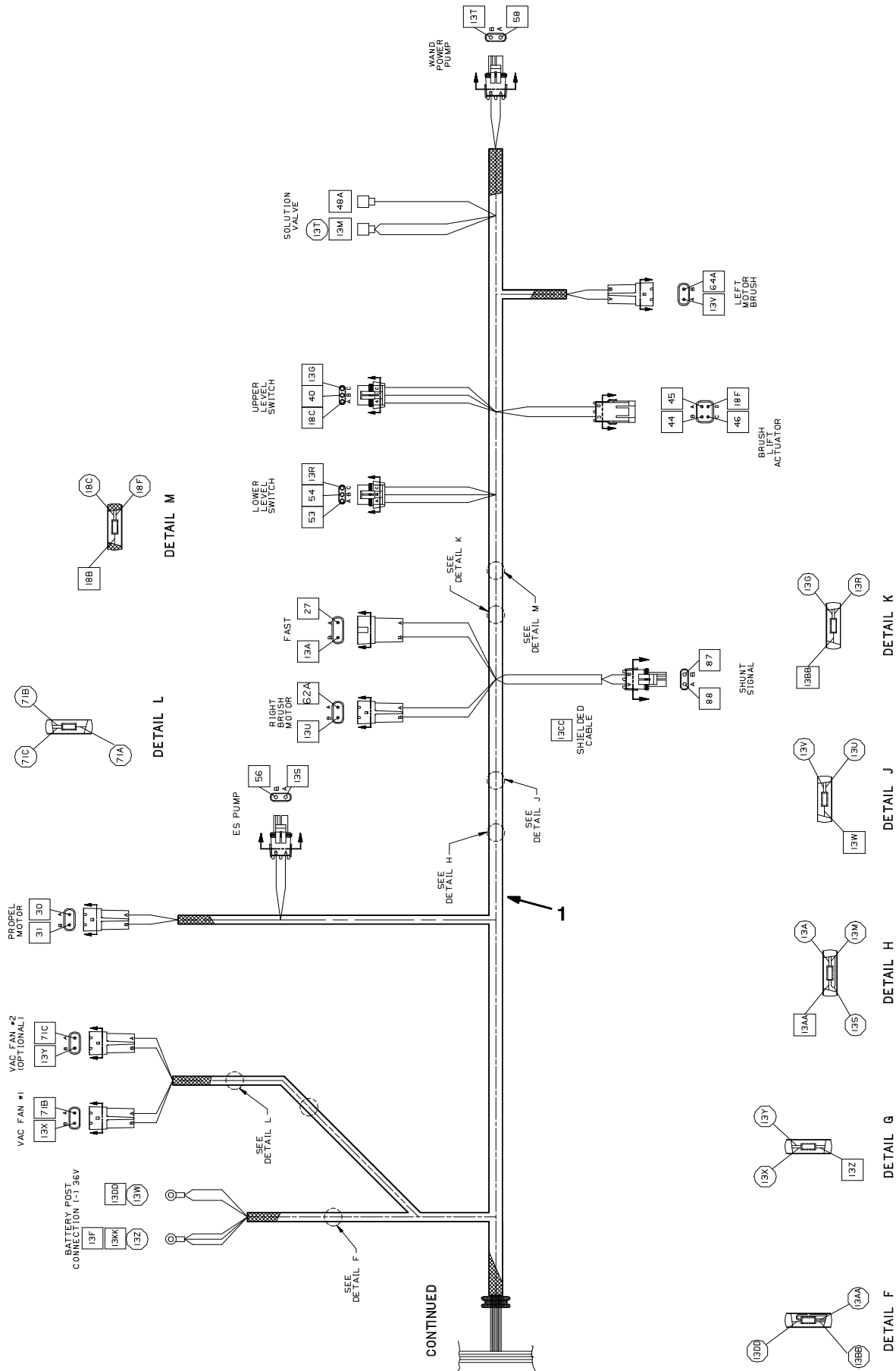


Fig. 26 – Electrical Wire Harness Group (S/N 10378922–10436742)

	Ref.	Part No.	Serial Number	Description	Qty.
▽	1	1045866	(10378922–10436742)	Harness, Main [5700ee] (Replaced By 1055166)	1
▲	2	393149	(10335670–)	Fuse, Blade, 10a, 58vdc	1
	3	222290	(10335670–)	Diode, Ele, Plug	2
	4	222707	(10335670–)	Capacitor, Electric, Plug	1
		222666	(10335670–)	Clamp, Cable, Ribbon, 1.25w 0.25h Plstc	1

▽ – Identifies an assembly

▲ – Identifies parts included in assembly

Fig. 27 - Electrical Wire Harness Group (S/N 10335670-10378921)

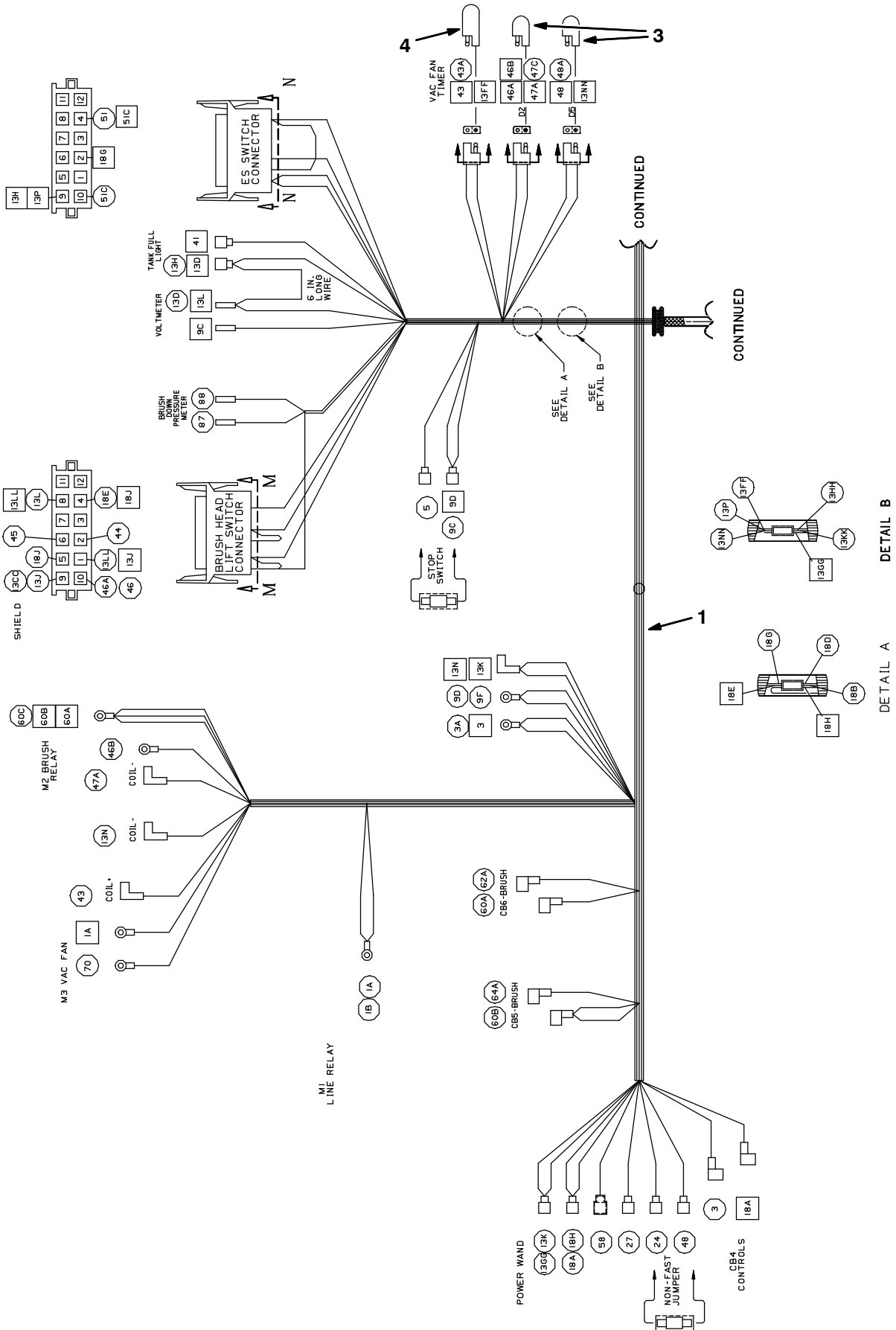


Fig. 27 - Electrical Wire Harness Group (S/N 10335670-10378921)

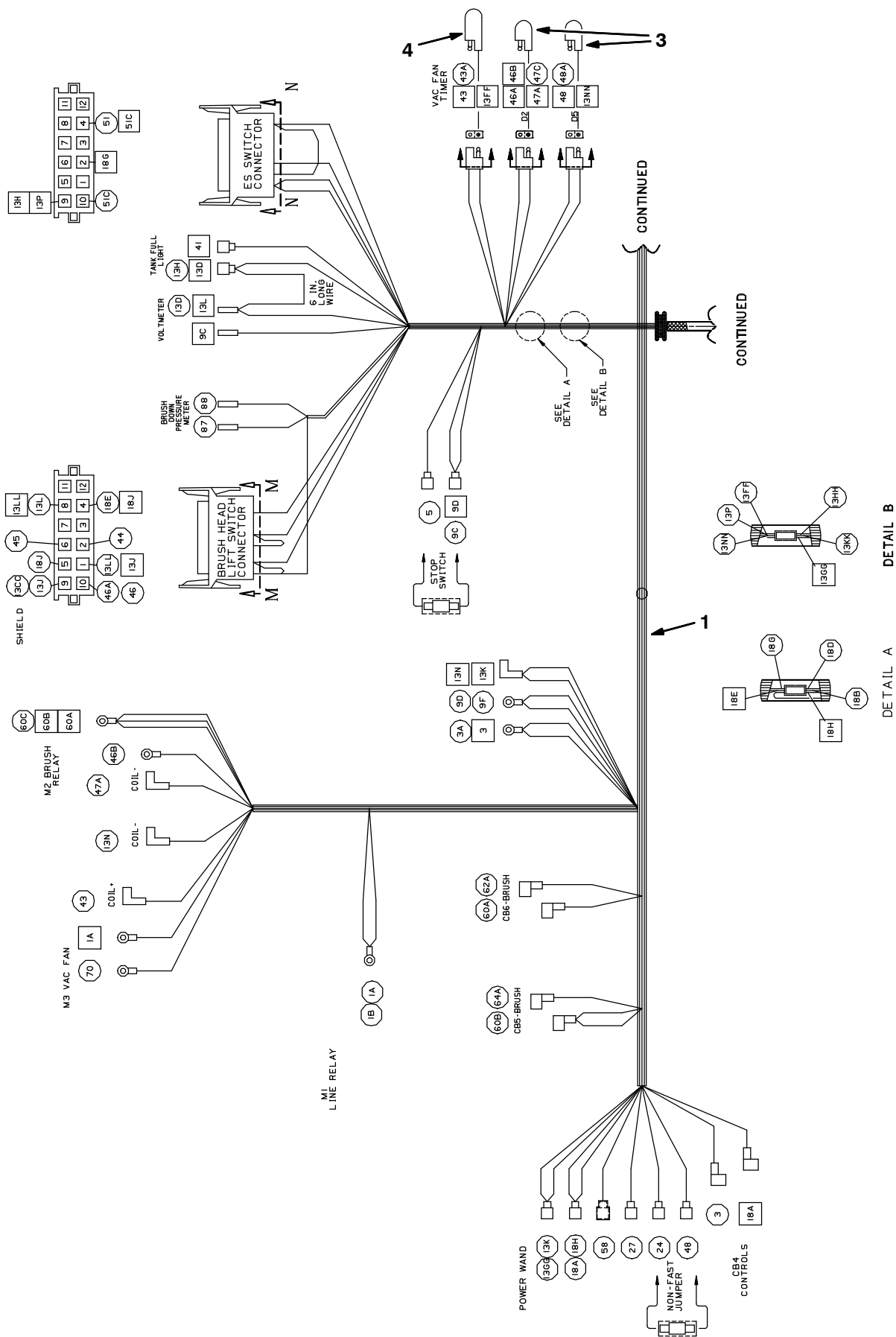


Fig. 27 - Electrical Wire Harness Group (S/N 10335670-10378921)

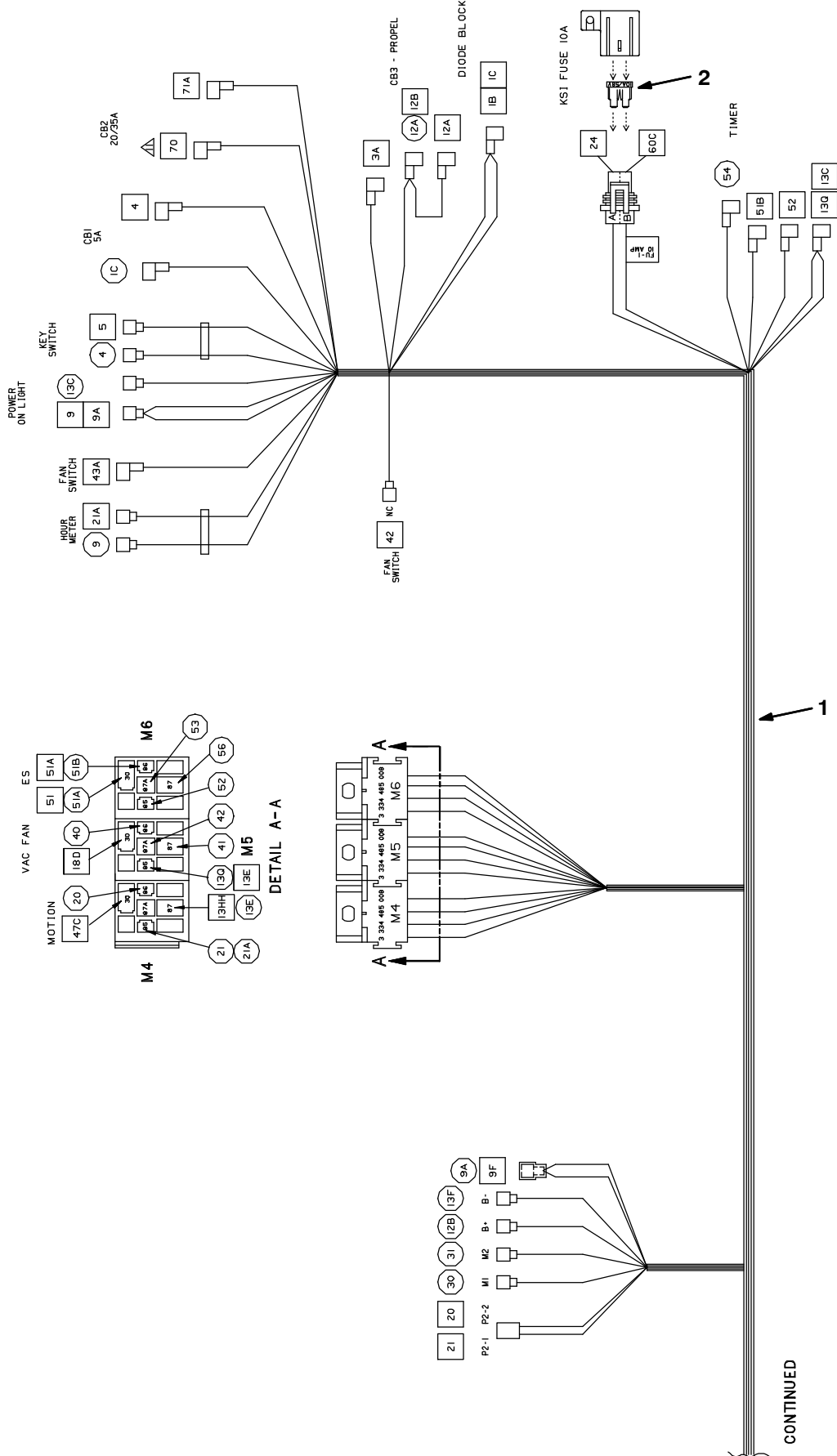
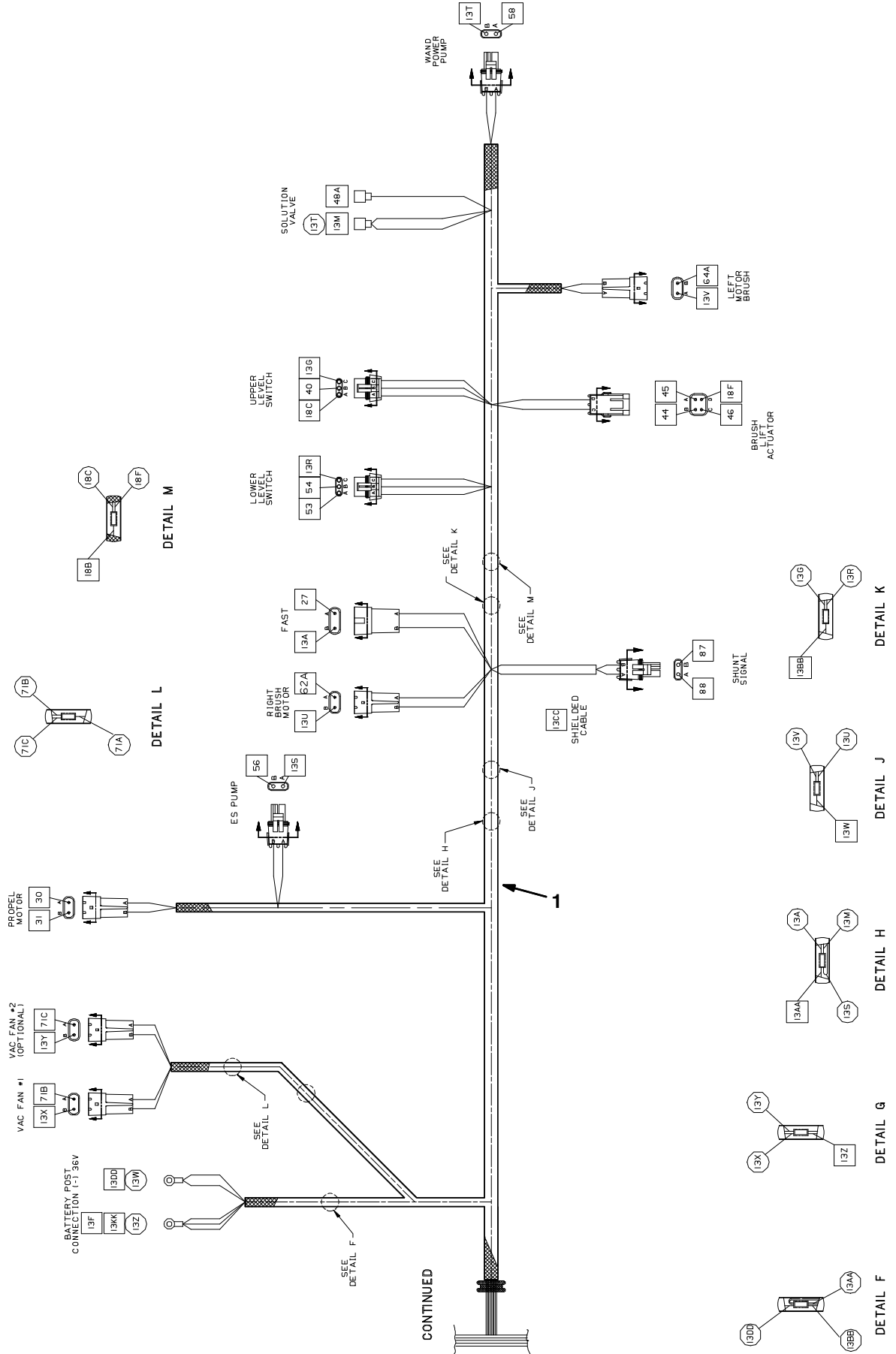


Fig. 27 – Electrical Wire Harness Group (S/N 10335670–10378921)



STANDARD PARTS

Fig. 27 – Electrical Wire Harness Group (S/N 10335670–10378921)

	Ref.	Part No.	Serial Number	Description	Qty.
▽	1	397905	(10335670–10378921)	Harness, Main, [5700]	1
▲	2	393149	(10335670–)	Fuse, Blade, 10a, 58vdc	1
	3	222290	(10335670–)	Diode, Ele, Plug	2
	4	222707	(10335670–)	Capacitor, Electric, Plug	1
		222666	(10335670–)	Clamp, Cable, Ribbon, 1.25w 0.25h Plstc	1

▽ – Identifies an assembly

▲ – Identifies parts included in assembly

Fig. 28 - Electrical Wire Harness Group (S/N 1000000-10335669)

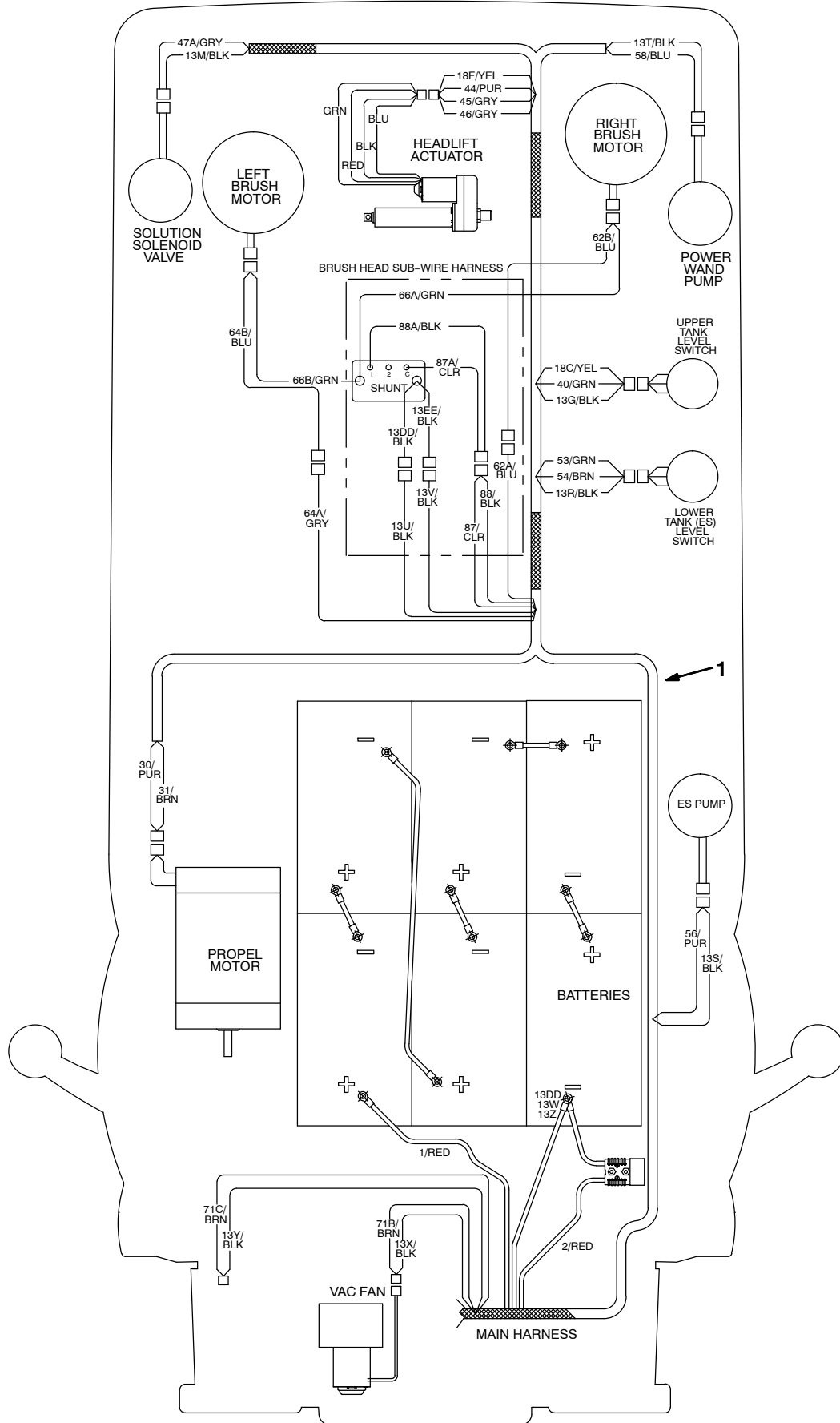


Fig. 28 - Electrical Wire Harness Group (S/N 1000000-10335669)

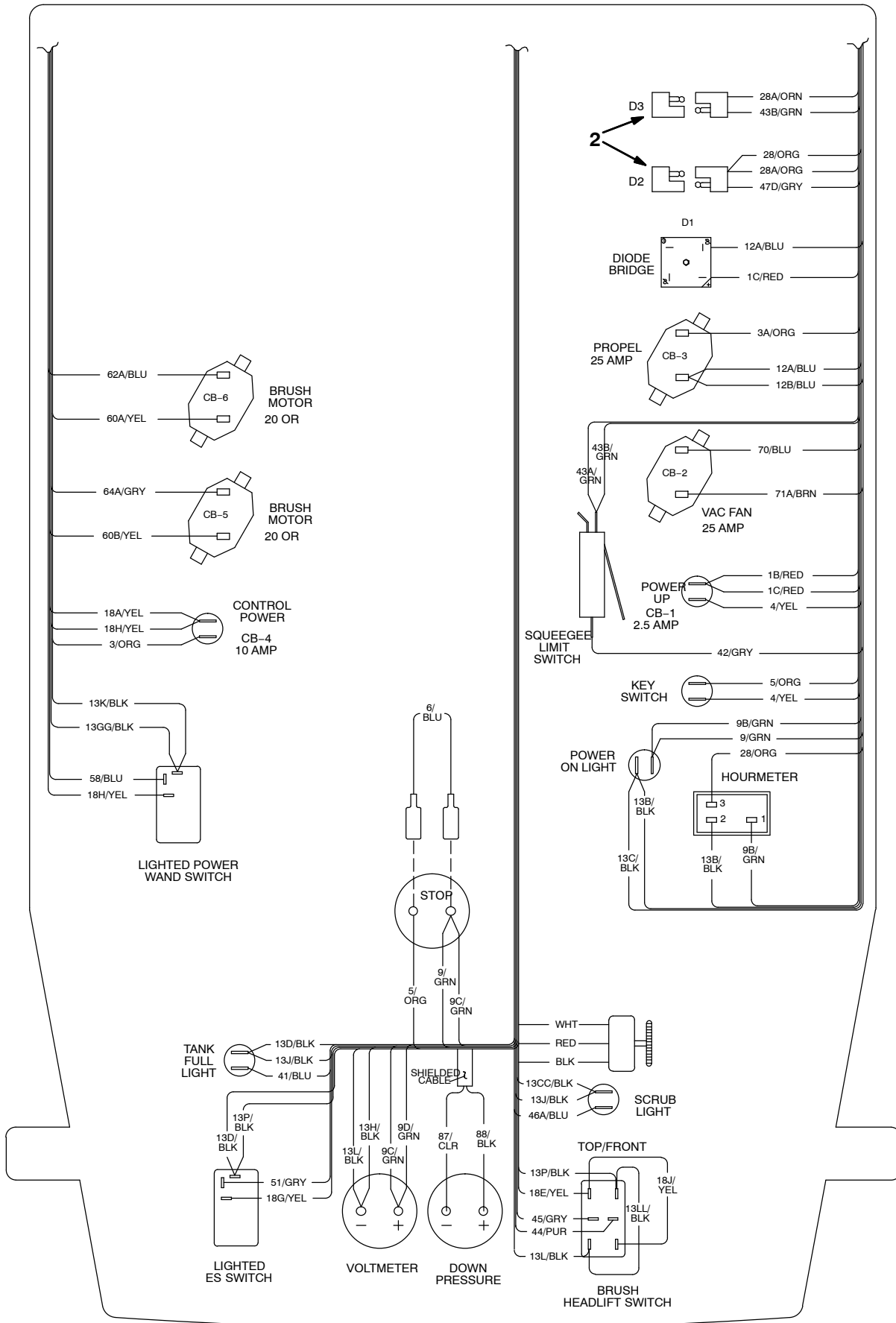
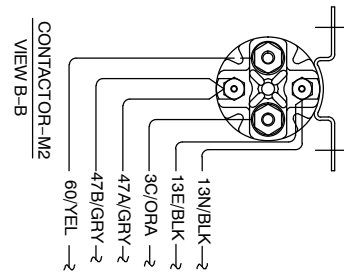
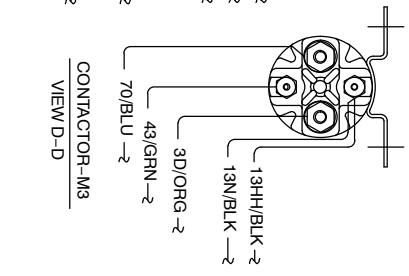
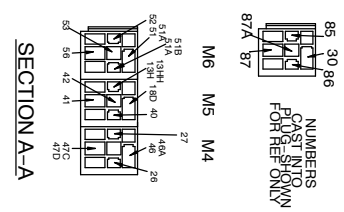
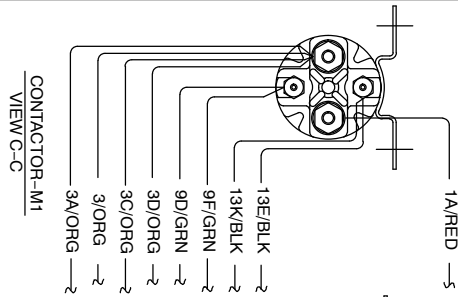
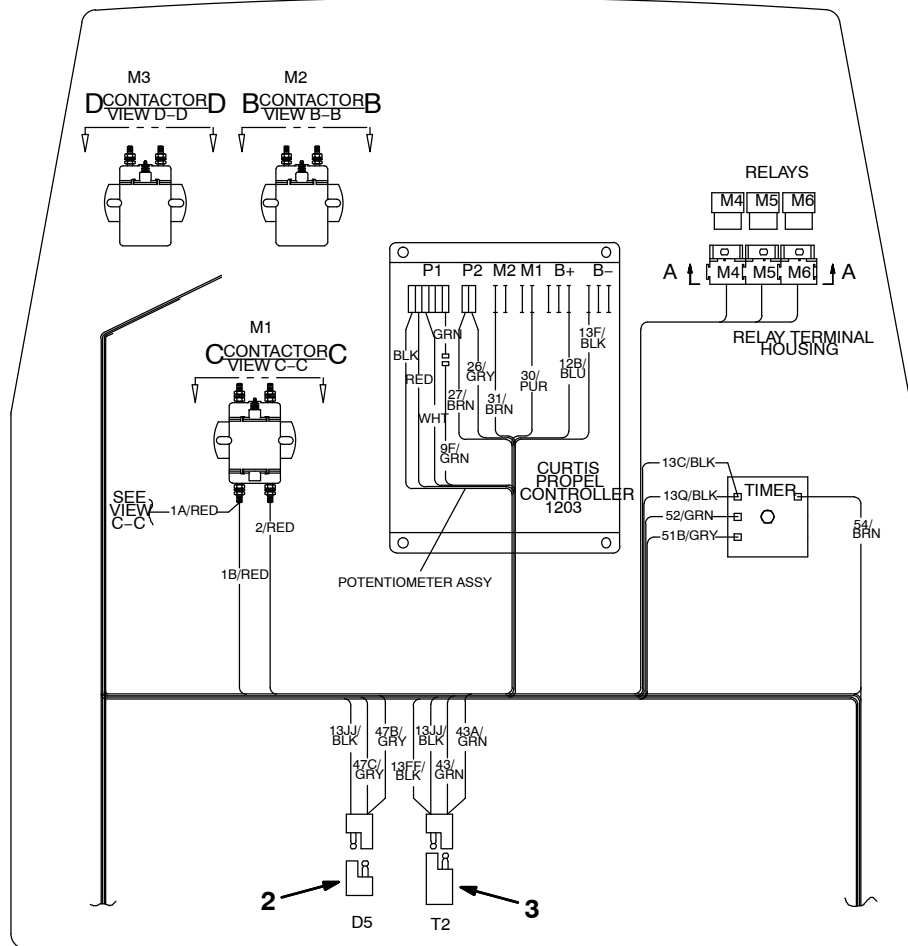
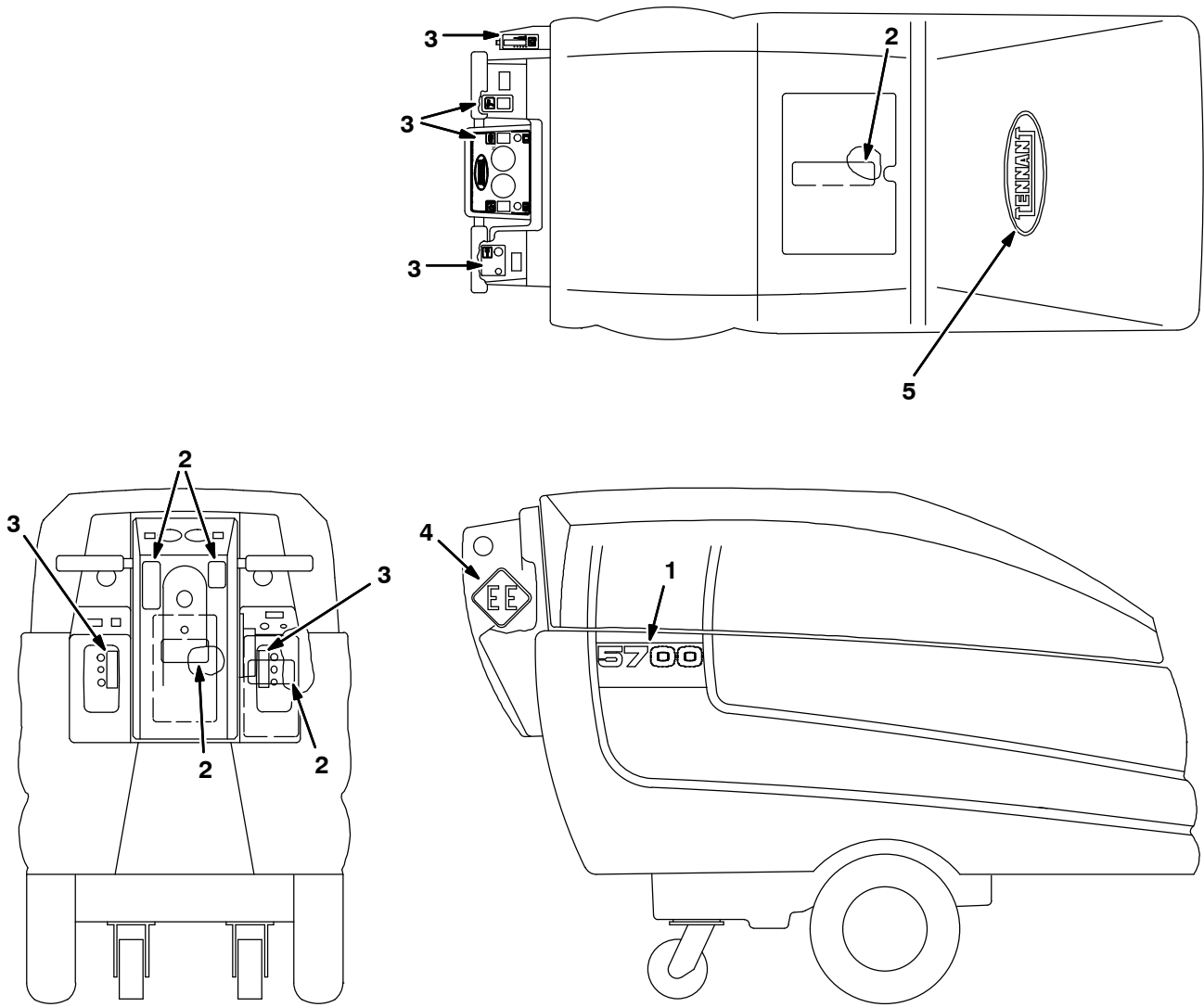


Fig. 28 – Electrical Wire Harness Group (S/N 1000000–10335669)



Ref.	Part No.	Serial Number	Description	Qty.
1	398504	(1000000–10335669)	Harness, Main, Std	1
2	222290	(1000000–10335669)	Diode, Elec, Plug	3
3	222707	(1000000–10335669)	Capacitor, Molded	1
	222666	(1000000–10335669)	Clamp, Ribbon Cable	1

Fig. 29 – Label Group



Ref.	Part No.	Serial Number	Description	Qty.
1	222676	(10000000–) Label, Model [5700]	2
2	222578	(10000000–) Label Set, Info & Hzd 5700	1
3	369763	(10000000–) Label Set, Operational 5700	1
4	08823	(10000000–) Label, Ee	2
5	1047741	(10000000–) Label, Logo, 264Mml, [Tennant]	1

SECTION 3

Contents	Page
Fig. 1 – ES Kit	3-2
Fig. 2 – Vacuum Wand Kit	3-4
Fig. 3 – Power Wand Hose Assembly	3-5
Fig. 4 – Power Wand Assembly	3-6
Fig. 5 – Power Wand Pump and Fittings Group ..	3-8
Fig. 6 – Power Wand Mount Group	3-9
Fig. 7 – Parking Brake Group	3-10
Fig. 8 – Power Kill Switch Kit	3-11
Fig. 9 – Wall Roller Kit	3-12
Fig. 10 – Transport Group	3-14
Fig. 11 – Neoprene Caster Group	3-15
Fig. 12 – Tire Group, Solid	3-16
Fig. 13 – Tire Group, Foam Filled	3-17
Fig. 14 – Tire and Rim Assembly, Gray	3-18
Fig. 15 – Battery Charger Group	3-19
Fig. 16 – Urethane Scrub Head Skirt Kit	3-20
Fig. 17 – Sensor Kit, Shielded	3-21
Fig. 18 – Drain Hose Extension Kit	3-22
Fig. 19 – Speed Reduction Kit	3-23
Fig. 20 – Documentation Group	3-24

Fig. 1 - ES Kit

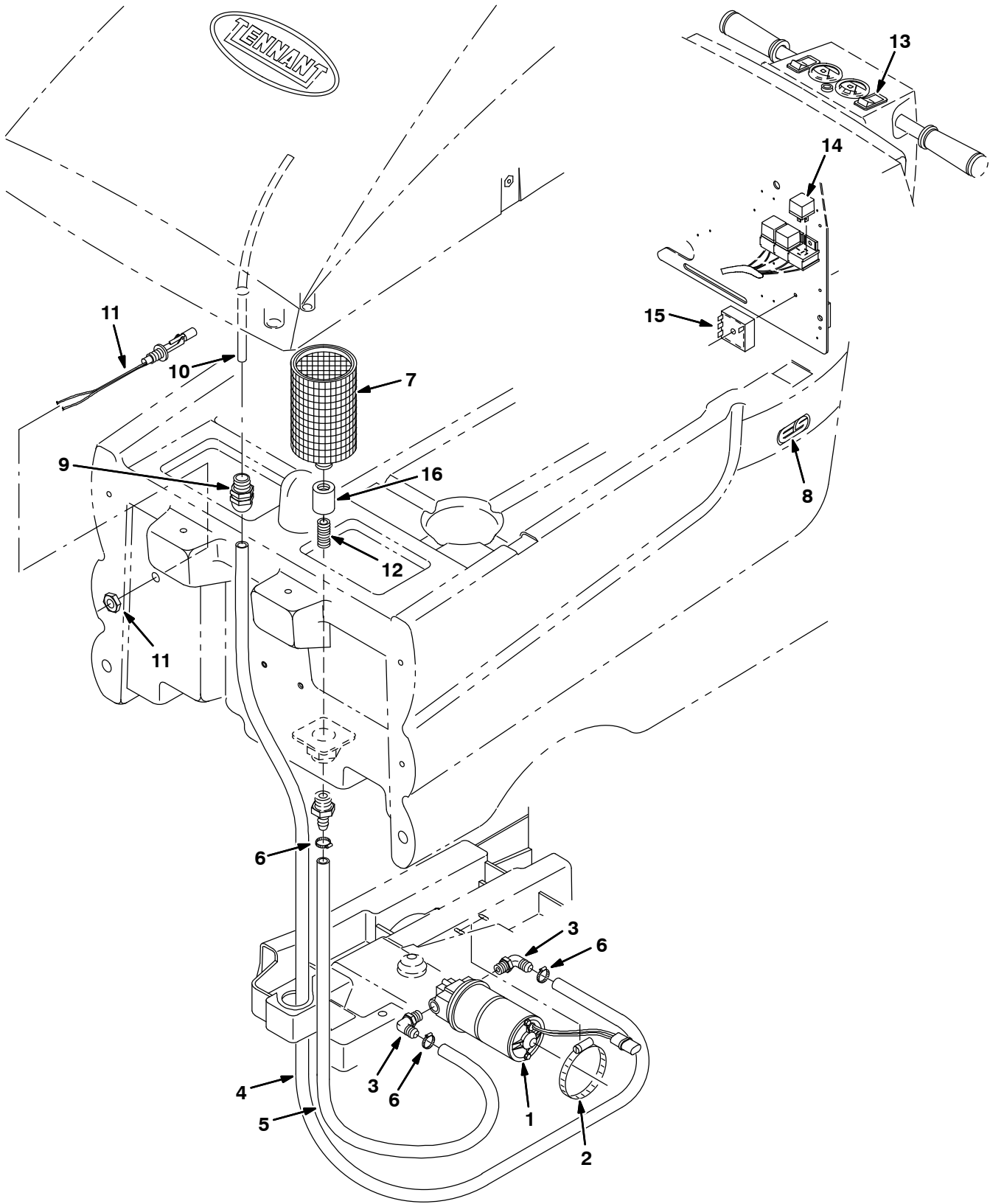


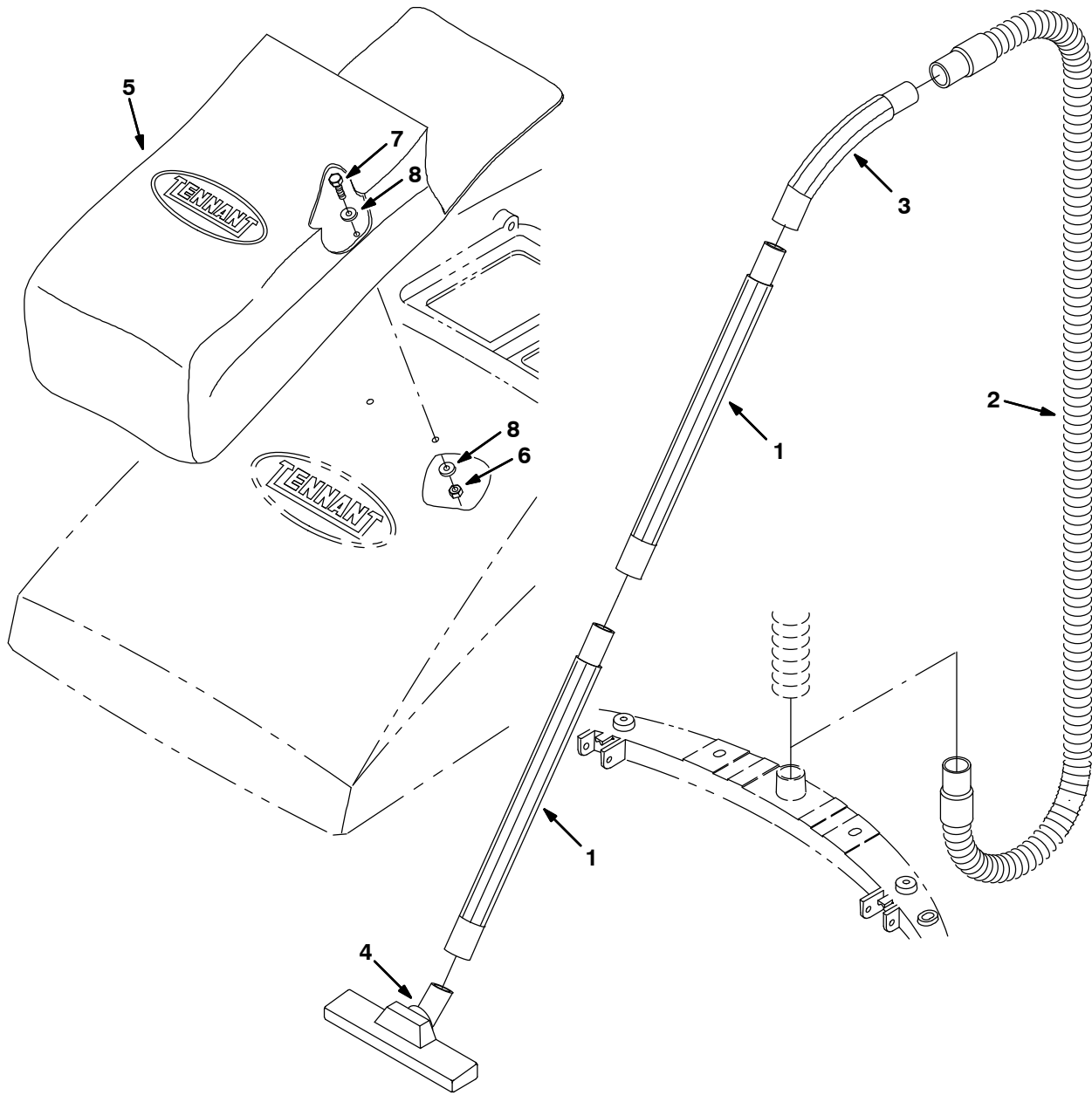
Fig. 1 – ES Kit

	Ref.	Part No.	Serial Number	Description	Qty.
▽		222351	(10000000–) Es Standard 5700	1
▲	1	222259	(10000000–) Pump Assy, Water 36Vdc (See Breakdowns)	1
▲	2	17188	(10000000–) Clamp–Wormdrive, 1.62–3.50D	1
▲	3	64778	(10000000–) Ftg,Plstc,Elb,Barb.38Pt–.50Hse	2
▲	4	222451	(10000000–) Hose, Vinyl Clr, .50Id X65.0L	1
▲	5	72953	(10000000–) Hose, Pvc .50Idx.73Od 23.0Lg	1
▲	6	54333	(10000000–) Clamp–Wormdrive, 0.31– 0.88D	3
▲	7	65873	(10000000–) Screen, Solution 60 Mesh, Cyl	1
▲	8	222604	(10000000–) Label, Es Logo, Off–White	2
▲	9	222374	(10000000–) Ftg–Plastic Str Specl 12Pm	1
▲	10	222439	(10000000–) Tube, Poly .38Id X .06W X 16L	1
▲	11	222822	(10000000–) Switch, Float	1
▲	12	69784	(10000000–) Ftg–Plstc Str 12Pm/12Pm	1
▲	13	398500	(10000000–) Switch, Rocker, Dpst	1
▲	14	398526	(10000000–) Relay, 36Vdc, 9A, Spdt	1
▲	15	222710	(10000000–) Timer, E.S.	1
▲	16	05134	(10000000–) Ftg, Pipe, Cplg Plastic 0.75	1

▽ – Identifies an assembly

▲ – Identifies parts included in assembly

Fig. 2 - Vacuum Wand Kit

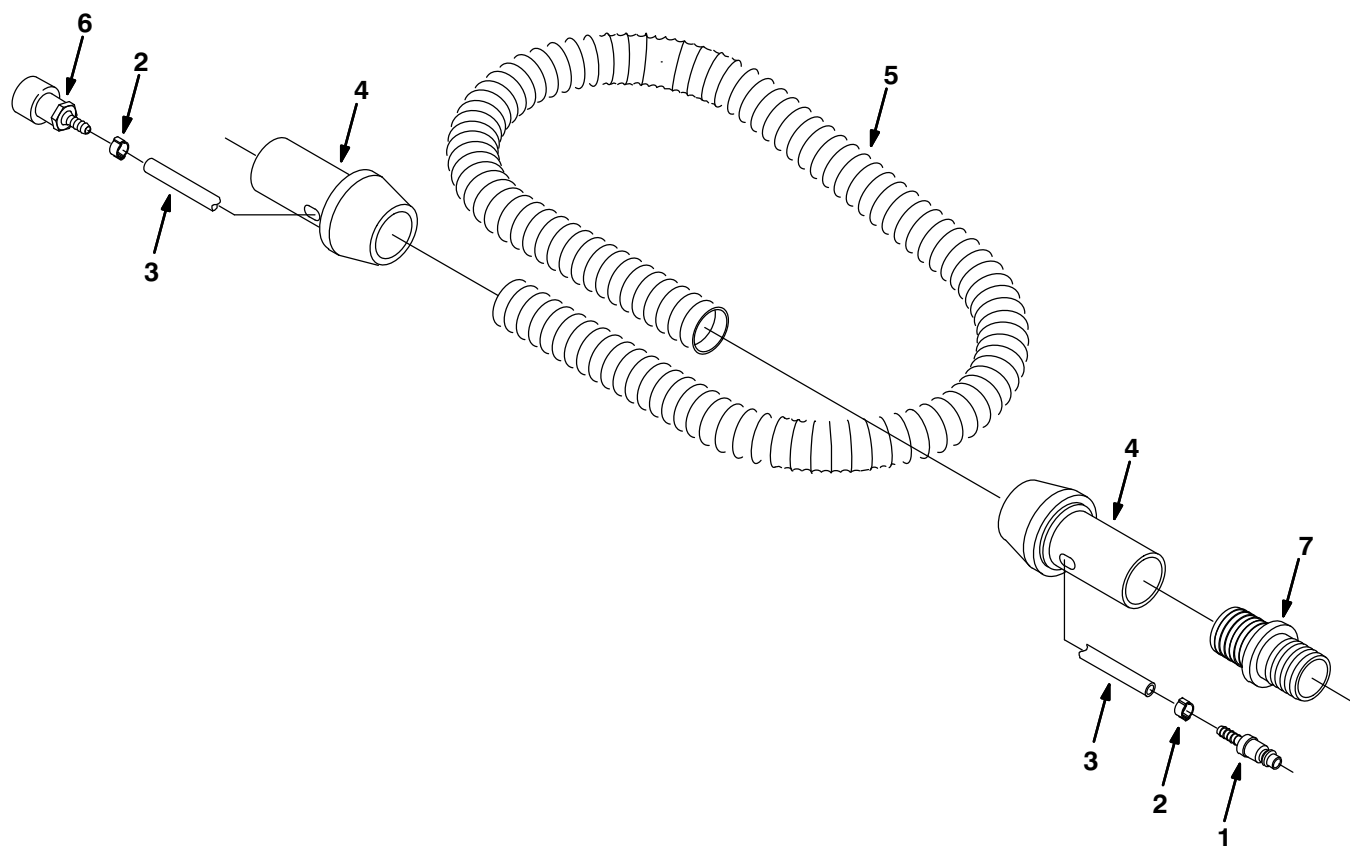


Ref.	Part No.	Serial Number	Description	Qty.
▽	222349	(10000000-)	Wand Vacuum 5700	1
▲	1	05579 (10000000-)	Wand, Vacuum	2
▲	2	05594 (10000000-)	Hose Assy, Vacuum Wand	1
▲	3	05584 (10000000-)	Hose End, Curved	1
▲	4	374077 (10000000-)	Nozzle, Vacuum Wand	1
▲	5	65580 (10000000-)	Bag, Power Wand	1
▲	6	08713 (10000000-)	Nut-Hxlocnyln M 8X1.25 Reg Ss	2
▲	7	09011 (10000000-)	Scr Hexssm 8X1.25 30	2
▲	8	01685 (10000000-)	Washer, Flat, 0.38b 0.88d .08, Ss	4

▽ - Identifies an assembly

▲ - Identifies parts included in assembly

Fig. 3 – Power Wand Hose Assembly



NOTE: Power Wand Kit, Tennant Part Number 222352, includes Fig. 3, Fig. 4, Fig. 5, and Fig. 6.

	Ref.	Part No.	Serial Number	Description	Qty.
▽		65341	(10000000–) Hose Assembly	1
▲	1	578318000	(10000000–) Fitting, Quick Disconnect	1
▲	2	578160000	(10000000–) Clamp, Hose	2
▲	3	578820000	(10000000–) Hose	1
▲	4	578072000	(10000000–) Cuff, Swivel	2
▲	5	578276000	(10000000–) Hose, Vacuum	1
▲	6	578071000	(10000000–) Fitting, Quick Disconnect	1
	7	12694	(10000000–) Fitting, Plastic	1

▽ – Identifies an assembly

▲ – Identifies parts included in assembly

Fig. 4 – Power Wand Assembly

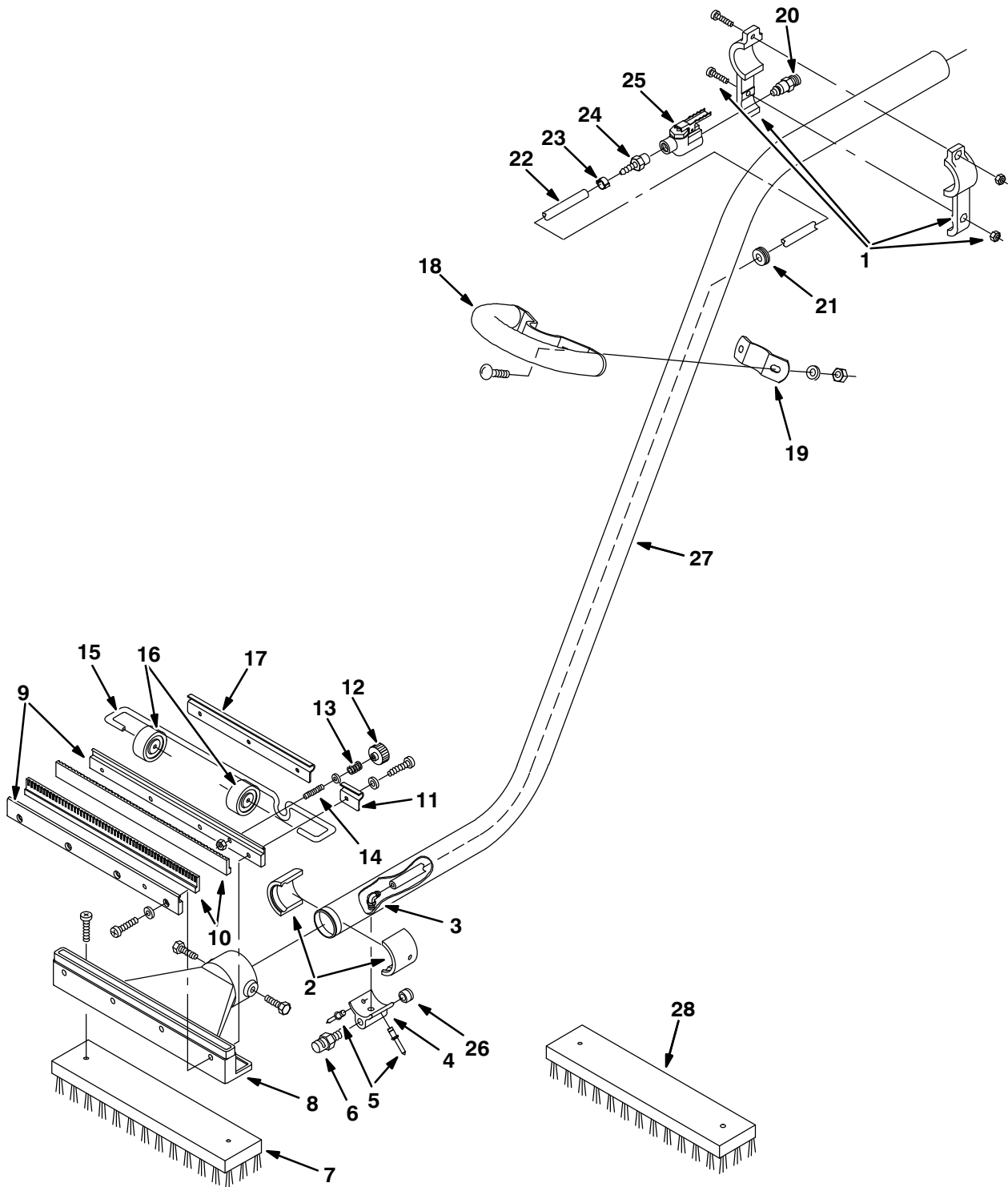


Fig. 4 – Power Wand Assembly

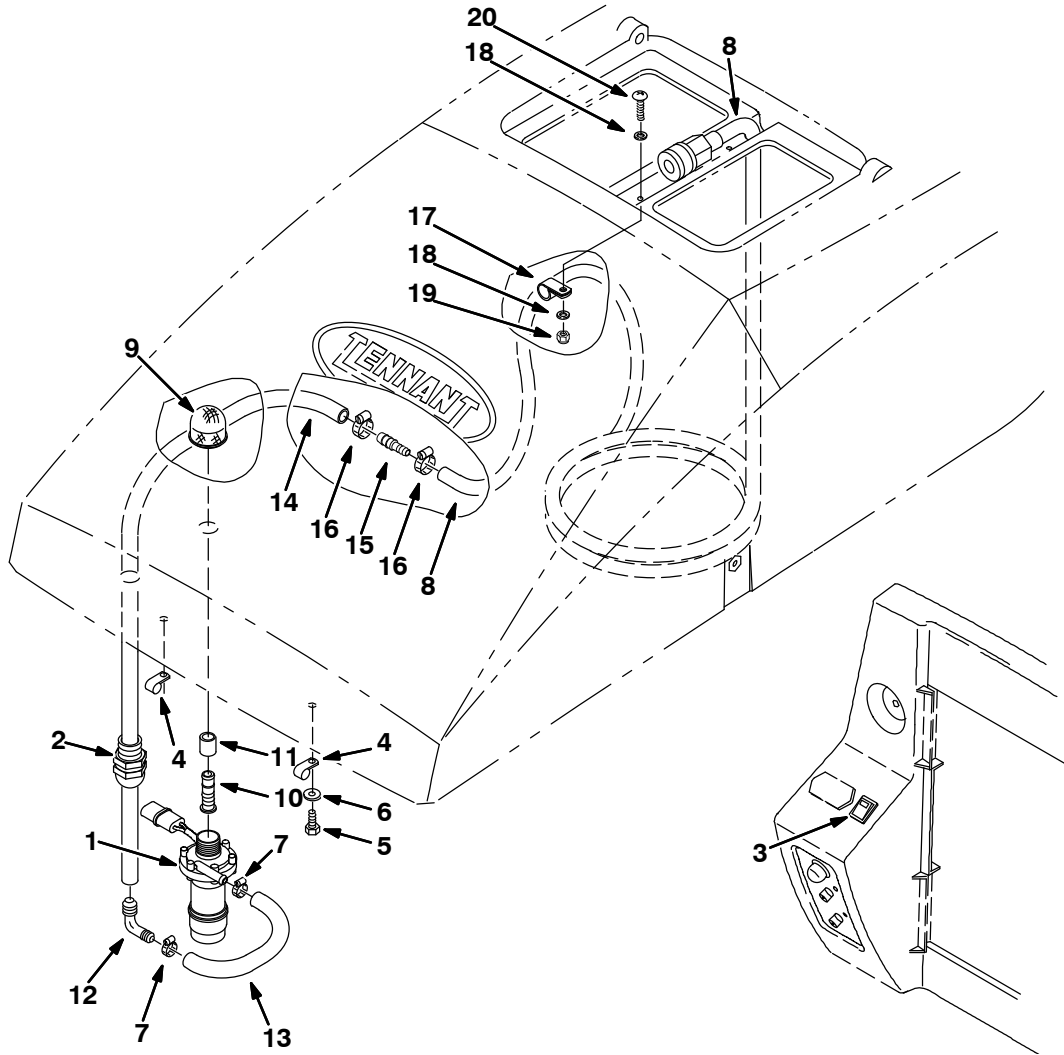
NOTE: Power Wand Kit, Tennant Part Number 222352, includes Fig. 3, Fig. 4, Fig. 5, and Fig. 6.

Ref.	Part No.	Serial Number	Description	Qty.
▽	65340	(10000000–) Wand Assembly	1
▲	1 578077000	(10000000–) Bracket, Valve Mounting	1
▲	2 578061000	(10000000–) Adapter, Head	2
▲	3 1037595	(10000000–) Fitting, Plstc, E90, Bm04/Pm02, Nyl	1
▲	4 579112	(10000000–) Adapter, Nozzle	1
▲	5 602036000	(10000000–) Rivet, Pop	2
▲	6 578066000	(10000000–) Nozzle, Spray	1
▲	7 65610	(10000000–) Brush, Wand, Poly	1
▲	8 578063000	(10000000–) Head, Wand	1
▲	9 578078000	(10000000–) Strip, Retainer	2
▲	10 578074000	(10000000–) Blade, Squeegee	2
▲	11 578124000	(10000000–) Bracket, Axle	1
▲	12 578439	(10000000–) Knob, Adjustable, Squeegee	1
▲	13 578228000	(10000000–) Spring, Compression	1
▲	14 578143000	(10000000–) Stud, Adjustable	1
▲	15 578126000	(10000000–) Axle, Wand	1
▲	16 578125000	(10000000–) Wheel, Guide	2
▲	17 578123000	(10000000–) Bracket, Axle	1
▲	18 578155000	(10000000–) Handle, Wand	1
▲	19 578154000	(10000000–) Bracket, Handle Mounting	1
▲	20 578091000	(10000000–) Fitting, Quick Disconnect	1
▲	21 578164000	(10000000–) Grommet	1
▲	22 578821000	(10000000–) Hose, Solution	1
▲	23 578161000	(10000000–) Clamp, Hose	2
▲	24 578094000	(10000000–) Fitting, Straight	1
▲	25 578064000	(10000000–) Valve, Water	1
▲	26 150208	(10000000–) Fitting, Plug	1
▲	27 578060000	(10000000–) Wand, Off-Aisle	1
▲	28 65582	(10000000–) Brush, Wand AB	1

▽ – Identifies an assembly

▲ – Identifies parts included in assembly

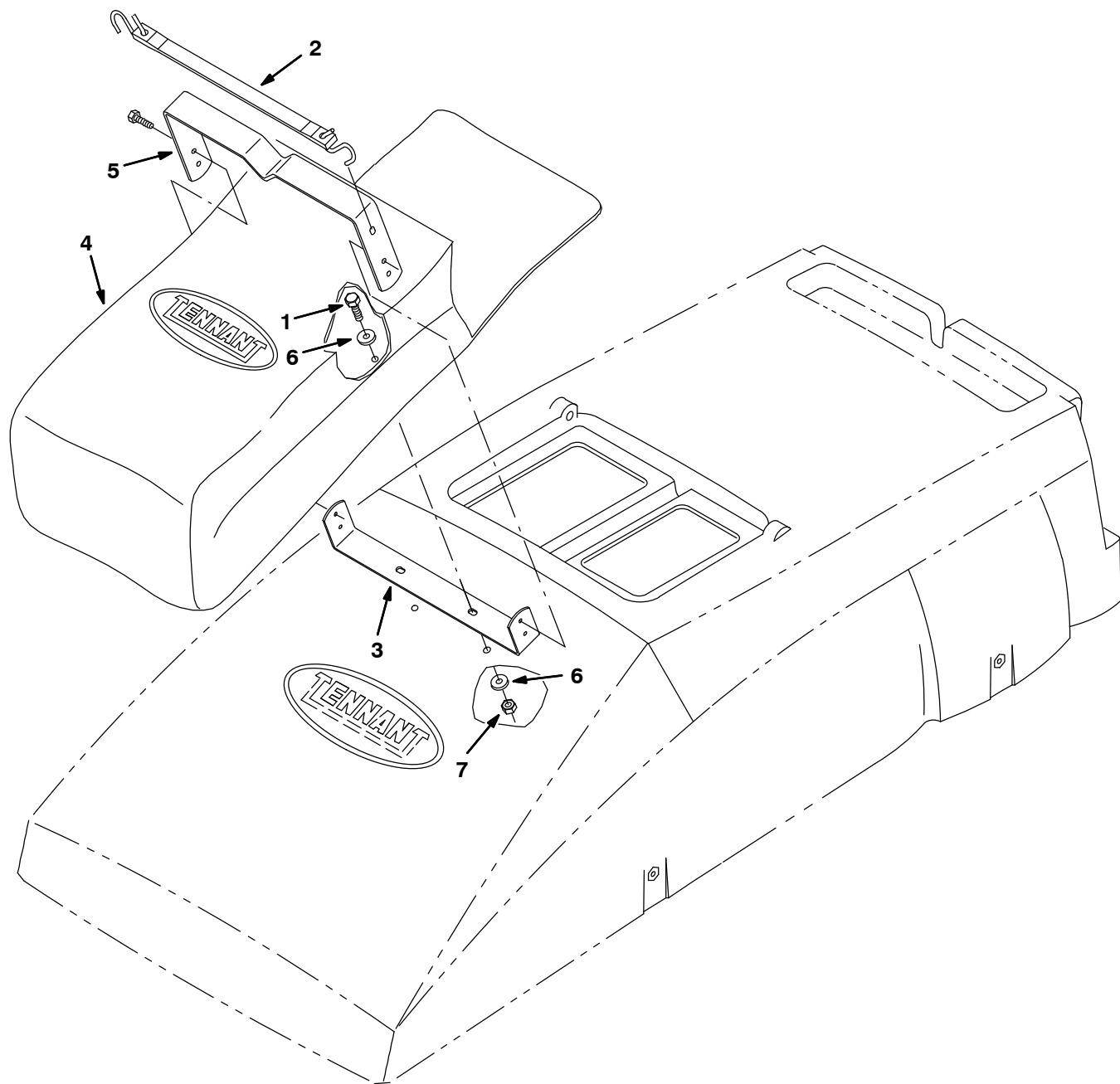
Fig. 5 – Power Wand Pump and Fittings Group



NOTE: Power Wand Kit, Tennant Part Number 222352, includes Fig. 3, Fig. 4, Fig. 5, and Fig. 6.

Ref.	Part No.	Serial Number	Description	Qty.
1	222258	(10000000-)	Pump, Water 0.5 Gpm 12Psi 36V	1
2	222374	(10000000-)	Ftg-Plastic Str Specl 12Pm	1
3	222117	(10000000-)	Switch	1
4	40678	(10000000-)	Clamp,Cable .44D .62Wide	2
5	49826	(10000000-)	Scr-Hexssm 8X1.25 16 Nylon Loc	2
6	01685	(10000000-)	Washer, Flat, 0.38b 0.88d .08, Ss	2
7	43844	(10000000-)	Clamp-Wormdrive, 0.25 - 0.62D	2
8	222810	(10000000-)	Hose Assy, Water	1
9	222742	(10000000-)	Screen, Drain	1
10	222728	(10000000-)	Ftg, Str, Drain	1
11	222750	(10000000-)	Hose	1
12	621217000	(10000000-)	Fitting, Plstc, E90, Bm06/Bm08	1
13	1014971	(10000000-)	Hose, Afmkt, Pvc, Brd, 0.38id, 01ft, Clr	1
14	1015068	(10000000-)	Hose, Afmkt, Pvc, Clr, 0.50id, 03ft	1
15	612774	(10000000-)	Fitting, Plstc, Str, Bm06/Bm08	1
16	54333	(10000000-)	Clamp, Hose, Wormdrive, 0.31-0.88d, .31w	2
17	140916	(10000000-)	Clamp, Cable, Nyl, 0.62d, Nat	1
18	01683	(10000000-)	Washer, Flat, 10, Ss	2
19	09739	(10000000-)	Nut, Hex, Lock, M5 X 0.80, NI, Ss	1
20	24196	(10000000-)	Screw, Pan, Phl, M5 X 0.8 X 20, Ss	1

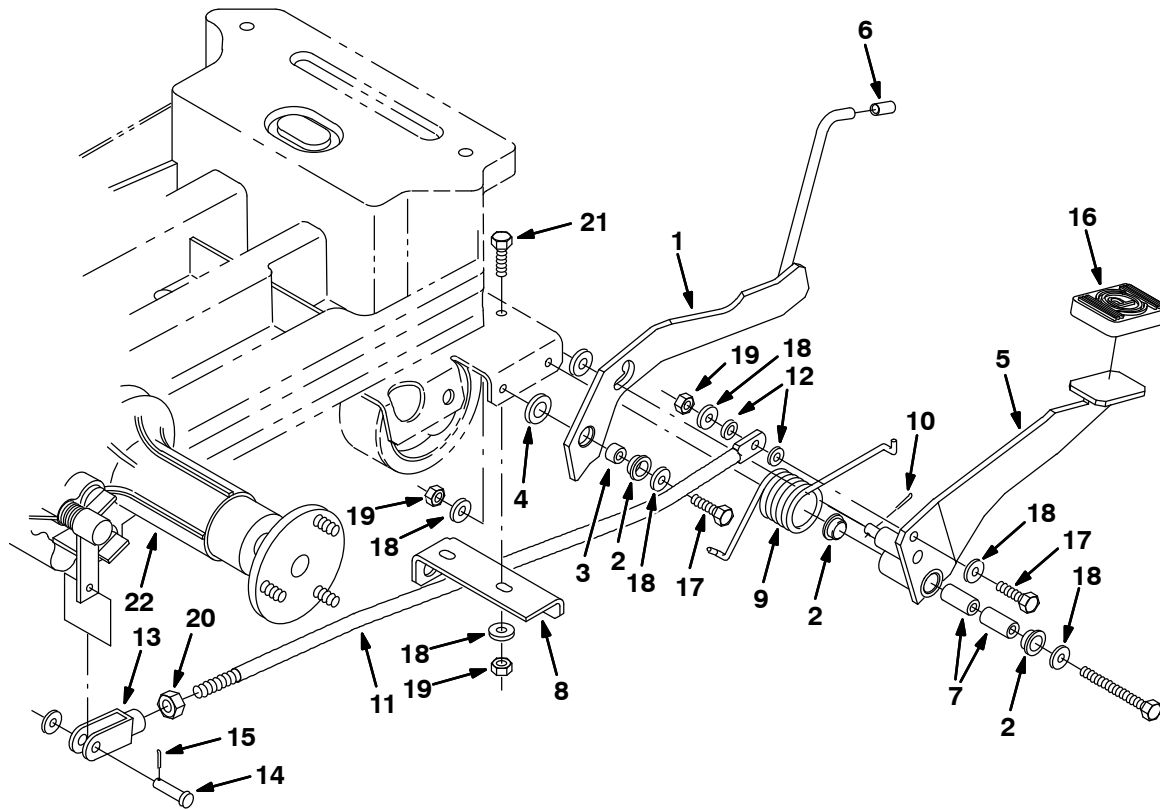
Fig. 6 – Power Wand Mount Group



NOTE: Power Wand Kit, Tennant Part Number 222352, includes Fig. 3, Fig. 4, Fig. 5, and Fig. 6.

Ref.	Part No.	Serial Number	Description	Qty.
1	09011	(10000000–) Scr Hexssm 8X1.25 30	2
2	57769	(10000000–) Strap, Rubber	2
3	222367	(10000000–) Bracket, Mtg, Bag	1
4	65580	(10000000–) Bag, Power Wand	1
5	222366	(10000000–) Bracket, Sppt, Wand	1
6	01685	(10000000–) Washer, Flat, 0.38b 0.88d .08, Ss	4
7	08713	(10000000–) Nut–Hxlocnyln M 8X1.25 Reg Ss	2

Fig. 7 – Parking Brake Group

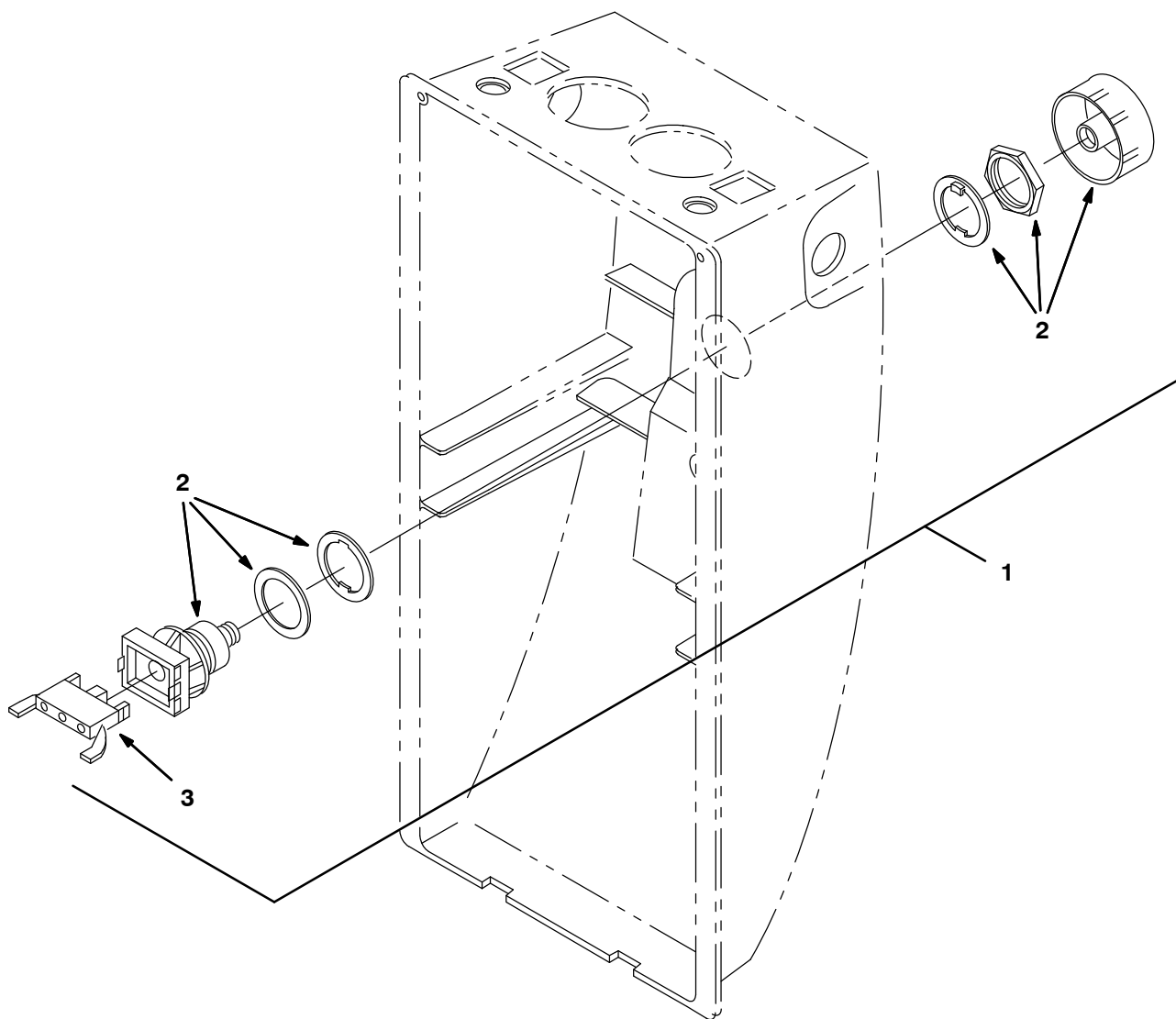


Ref.	Part No.	Serial Number	Description	Qty.	
1	222552	(10000000–)) Plate Weldment, Stop	1	
2	04843	(10000000–)) Bearing, Flange .625 Bore	3	
3	222556	(10000000–)) Sleeve .62D .34B .38L	1	
4	28862	(10000000–)) Washer–Thrust	1	
5	222547	(10000000–)) Brake Weldment, Parking	1	
6	222555	(10000000–)) Grip, Handle	1	
7	222028	(10000000–)) Sleeve, .344B .62D1.3 Bronze	2	
8	222651	(10000000–)) Bracket, Lift Retainer	1	
9	222560	(10000000–)) Spring, Torsion	1	
10	08179	(10000000–)) Pin, Cotter .094X1.00	1	
11	222546	(10000000–)) Rod, Brake .50 D	1	
12	43454	(10000000–)) Washer, .344B .69D .06Nylon	2	
13	222558	(10000000–)) Clevis, Adjustable M12	1	
14	04743	(10000000–)) Pin,Clevis,0.31 Dia.X 1.12 Lg	1	
15	39005	(10000000–)) Pin– Cotter .094X0.75	1	
16	222593	(10000000–)) Pad, Pedal	1	
17	09011	(10000000–)) Scr Hexssm 8X1.25 30	2	
18	01685	(10000000–)) Washer, Flat, 0.38b 0.88d .08, Ss	8	
19	08713	(10000000–)) Nut–Hxlocnyln M 8X1.25 Reg Ss	5	
20	07788	(10000000–)) Nut Hx Std Ss M12X1.75	1	
21	09010	(10000000–)) Scr Hexssm 8X1.25 25	2	
▽	22	1038594	(10368984–)) Transaxle Assy, W/ Motor [W/ Park Lock]	1
▲		1040886	(10368984–)) Vr, Motor, Transaxle	1
▲		1040891	(10368984–)) Vr, Brush, Motor, Transaxle	1
22	1033765	(10321996–10368983)) Transaxle Assy, W/Parking Brake (See Breakdowns)	1	
22	222037	(10000000–10321995)) Transaxle Assy, W/Parking Brake (See Breakdowns)	1	

▽ – Identifies an assembly

▲ – Identifies parts included in assembly

Fig. 8 – Power Kill Switch Kit



	Ref.	Part No.	Serial Number	Description	Qty.
▽	1	222664	(10000000–) Button Kit Battery Cutout 5700	1
▲	2	78553	(10000000–) Switch, Pushbutton	1
▲	3	65665	(10000000–) Contact, Switch	1

▽ – Identifies an assembly

▲ – Identifies parts included in assembly

Fig. 9 - Wall Roller Kit

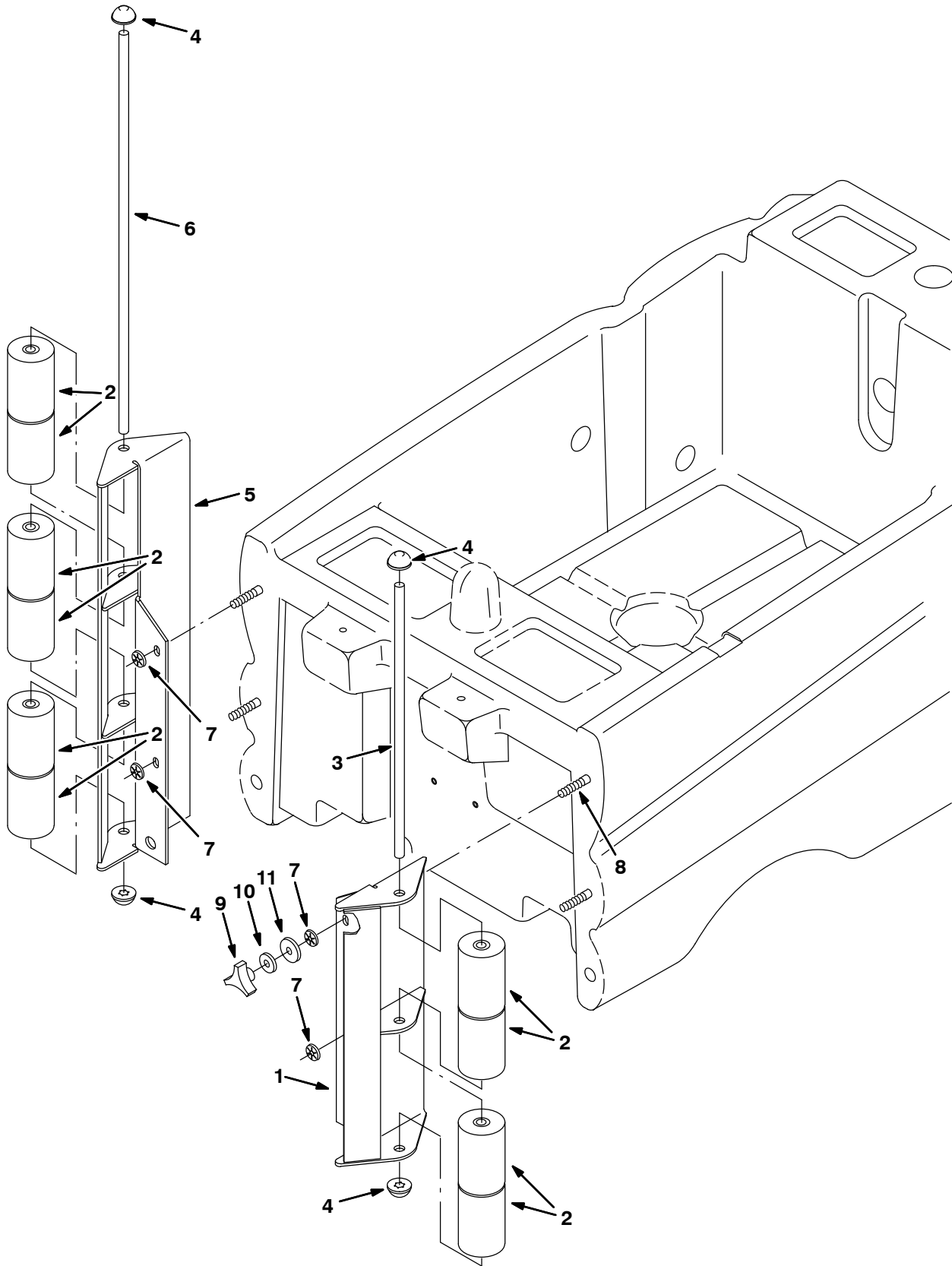


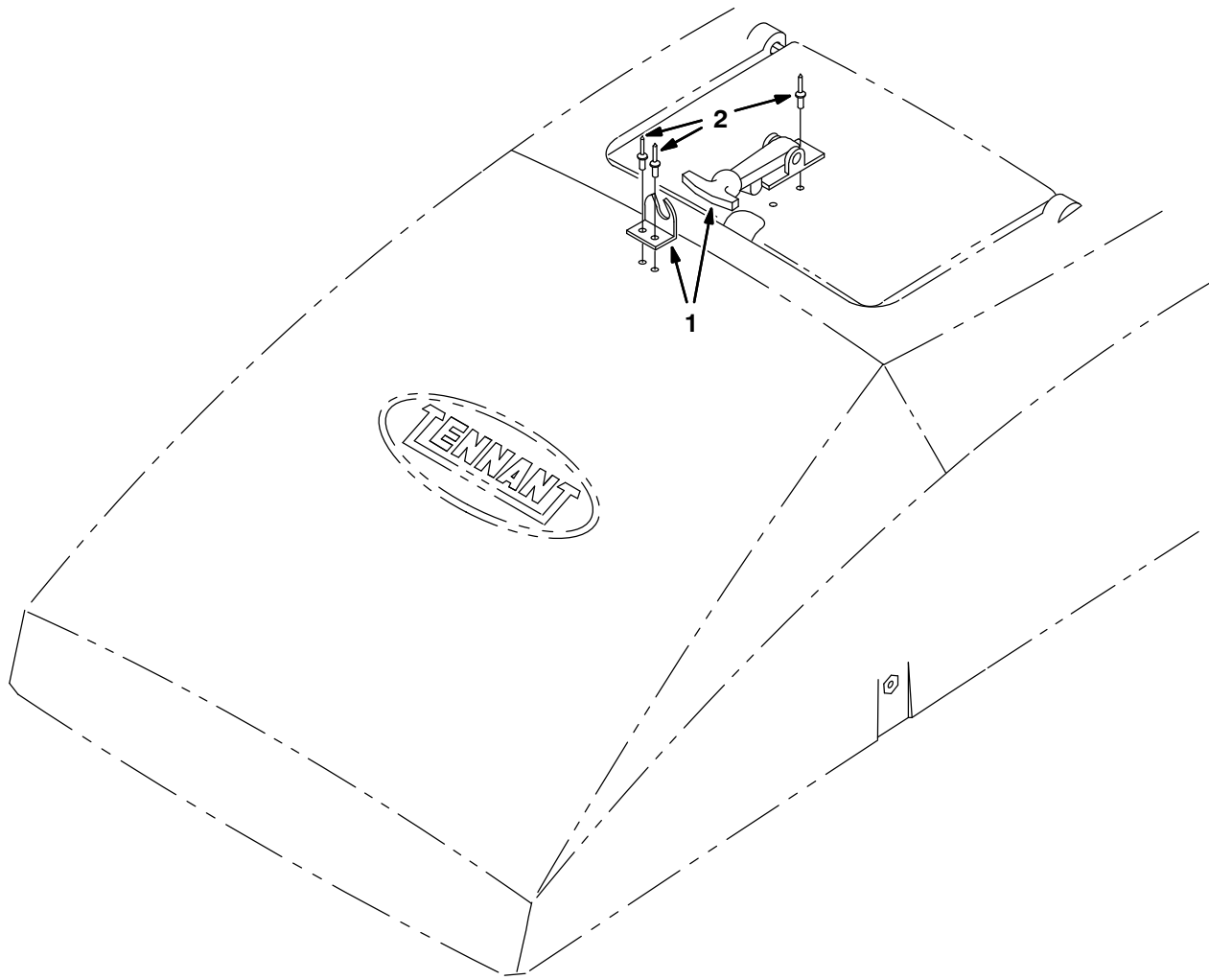
Fig. 9 – Wall Roller Kit

	Ref.	Part No.	Serial Number	Description	Qty.
▽		222663	(10000000–) Wall Roller Kit 5700	1
▲	1	222478	(10000000–) Bracket Wldt, Wall Roller, Lh	1
▲	2	222796	(10000000–) Roller	10
▲	3	222475	(10000000–) Shaft, Roller	1
▲	4	222479	(10000000–) Pushnut	4
▲	5	222477	(10000000–) Bracket Wldt, Wall Roller, Rh	1
▲	6	222476	(10000000–) Shaft, Roller	1
▲	7	222768	(10000000–) Pushnut	4
▲	8	30327	(10000000–) Rod, Thrd, 2 End M08X1.25 01.4	4
▲	9	222470	(10000000–) Knob, Star, 1.5d 3 Ear 0.8l M08x1.25 Pls	4
▲	10	01685	(10000000–) Washer, Flat, 0.38b 0.88d .08, Ss	4
▲	11	30013	(10000000–) Washer, Flat, 0.31 Fender	4

▽ – Identifies an assembly

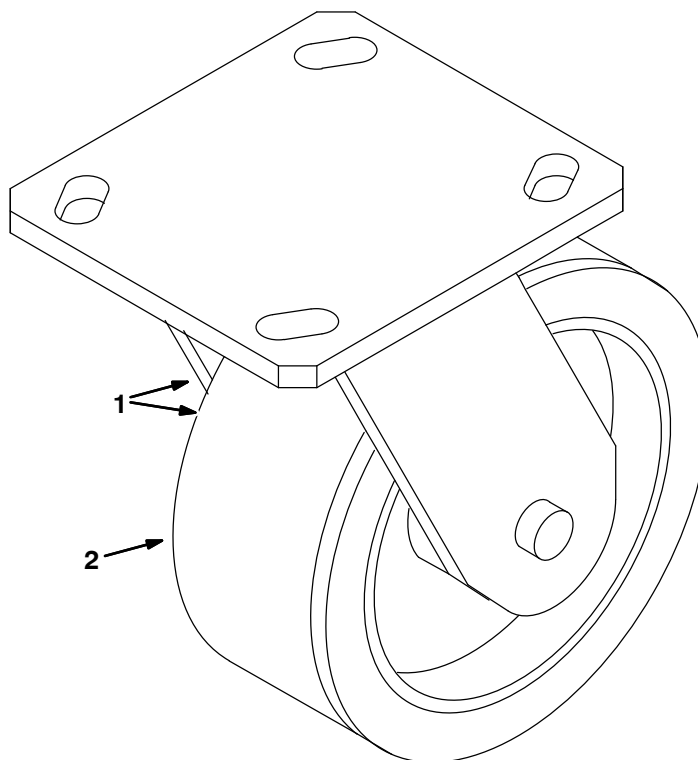
▲ – Identifies parts included in assembly

Fig. 10 – Transport Group



Ref.	Part No.	Serial Number	Description	Qty.
1	11636	(10000000–) Latch, Draw, Flexible	1
2	01335	(10000000–) Rivet, Pop-.125Dx.44X.25Dhd Al	4

Fig. 11 - Neoprene Caster Group

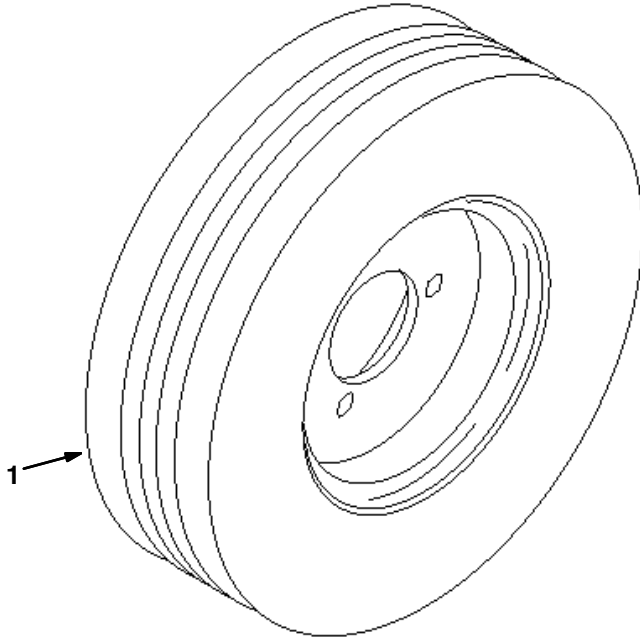


	Ref.	Part No.	Serial Number	Description	Qty.
▽	1	1049049	(10000000-)	Caster, Swivel, 5.0d 2.0w, 4hole, Neo	2
▲	2	1049020	(10000000-)	Wheel, 05.0d 2.00w 0.50b	1

▽ - Identifies an assembly

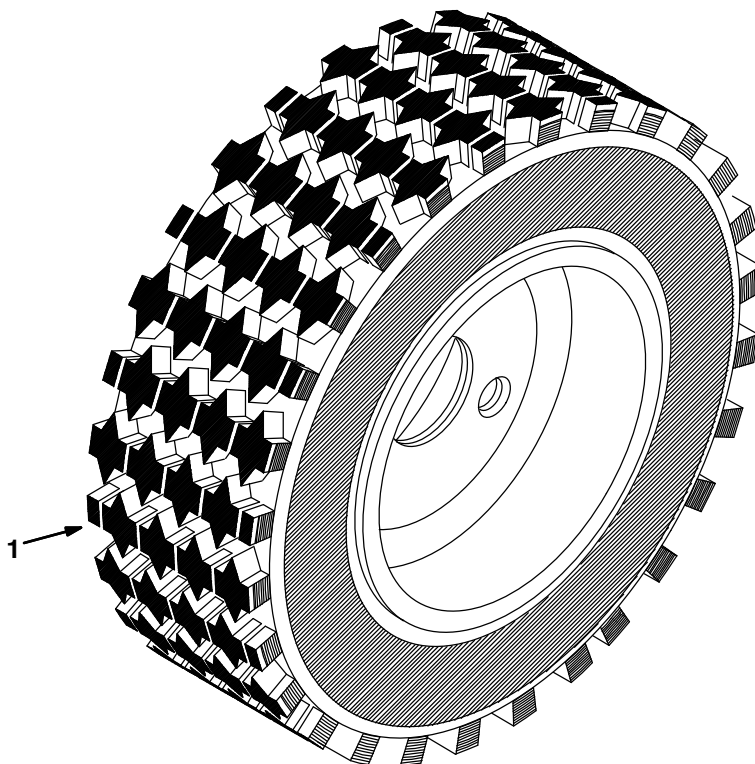
▲ - Identifies parts included in assembly

Fig. 12 - Tire Assembly, Solid



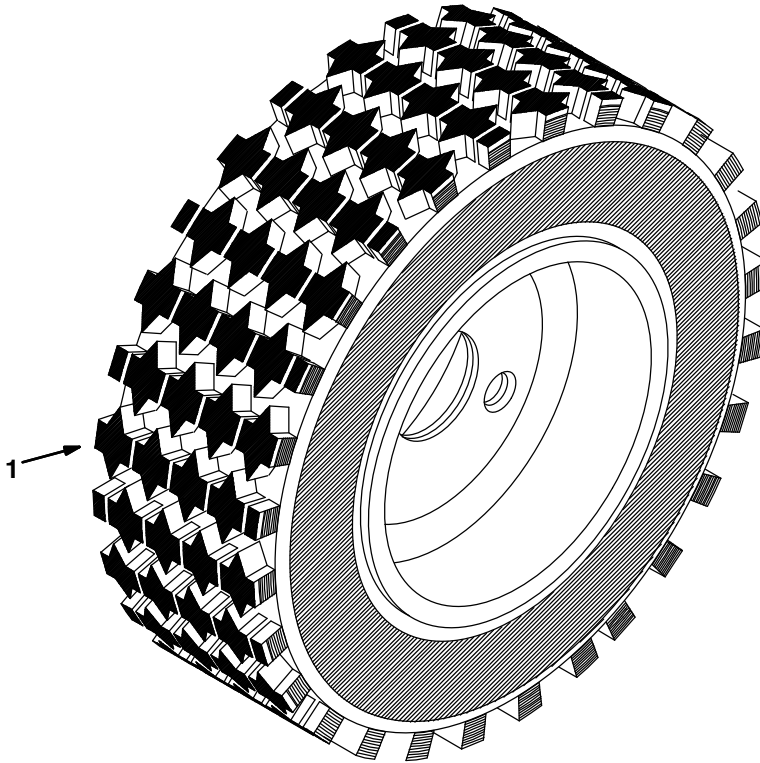
Ref.	Part No.	Serial Number	Description	Qty.
1	369345	(10000000-) Tire & Rim Assy 12.3 Dia Solid	2

Fig. 13 – Tire Assembly, Foam Filled



Ref.	Part No.	Serial Number	Description	Qty.
1052674	1 1059451	(10000000-) Tire Assy, Foam, Blk, 4.10/3.5-06 3.5bc	2
1052672	1 1059449	(10000000-) Tire Assy, Foam, Grey, 4.10/3.5-06 3.5bc	2

Fig. 14 – Tire Assembly, Air Filled, Gray

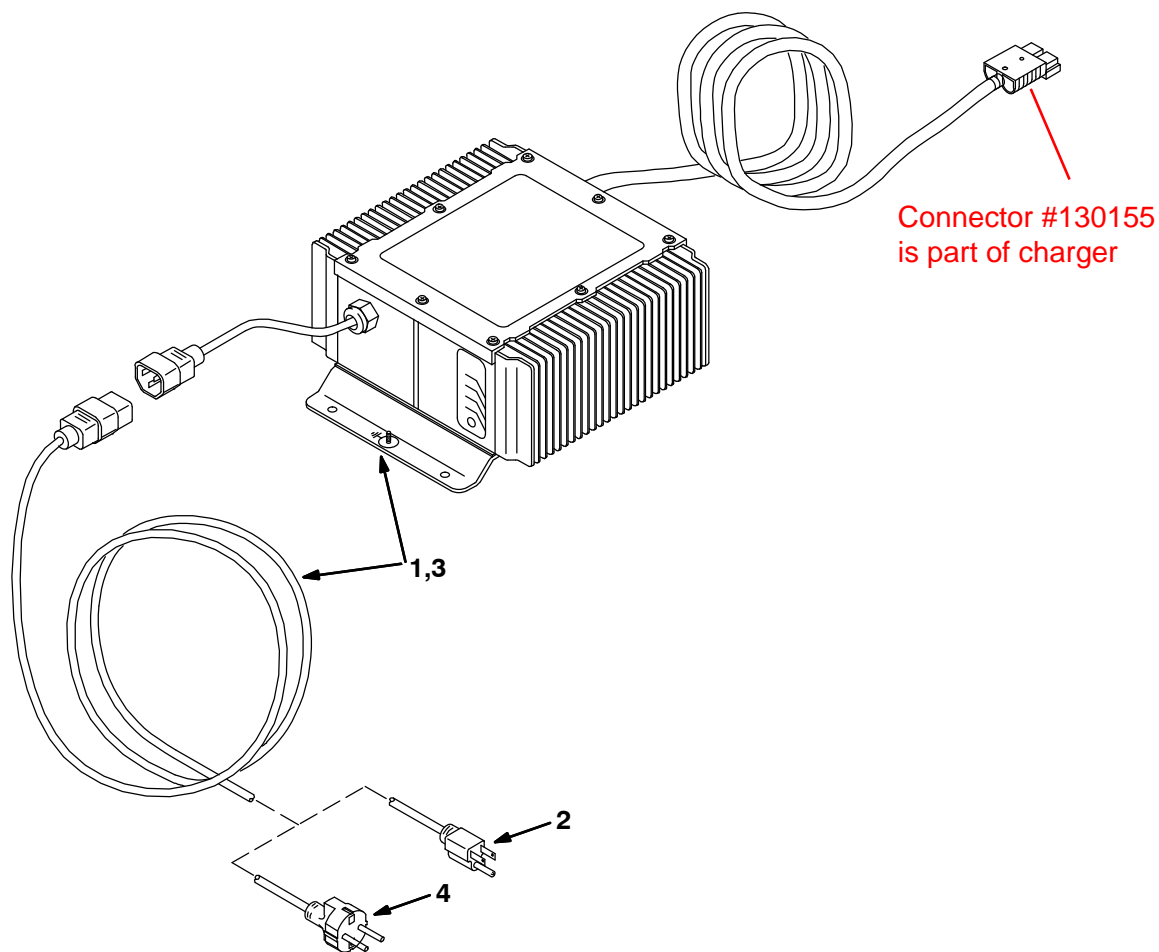


Ref.	Part No.	Serial Number	Description	Qty.
1	1059448	(10000000–) Tire Assy, Pneu, Grey, 4.10/3.5–06 3.5bc	2

▽ – Identifies an assembly

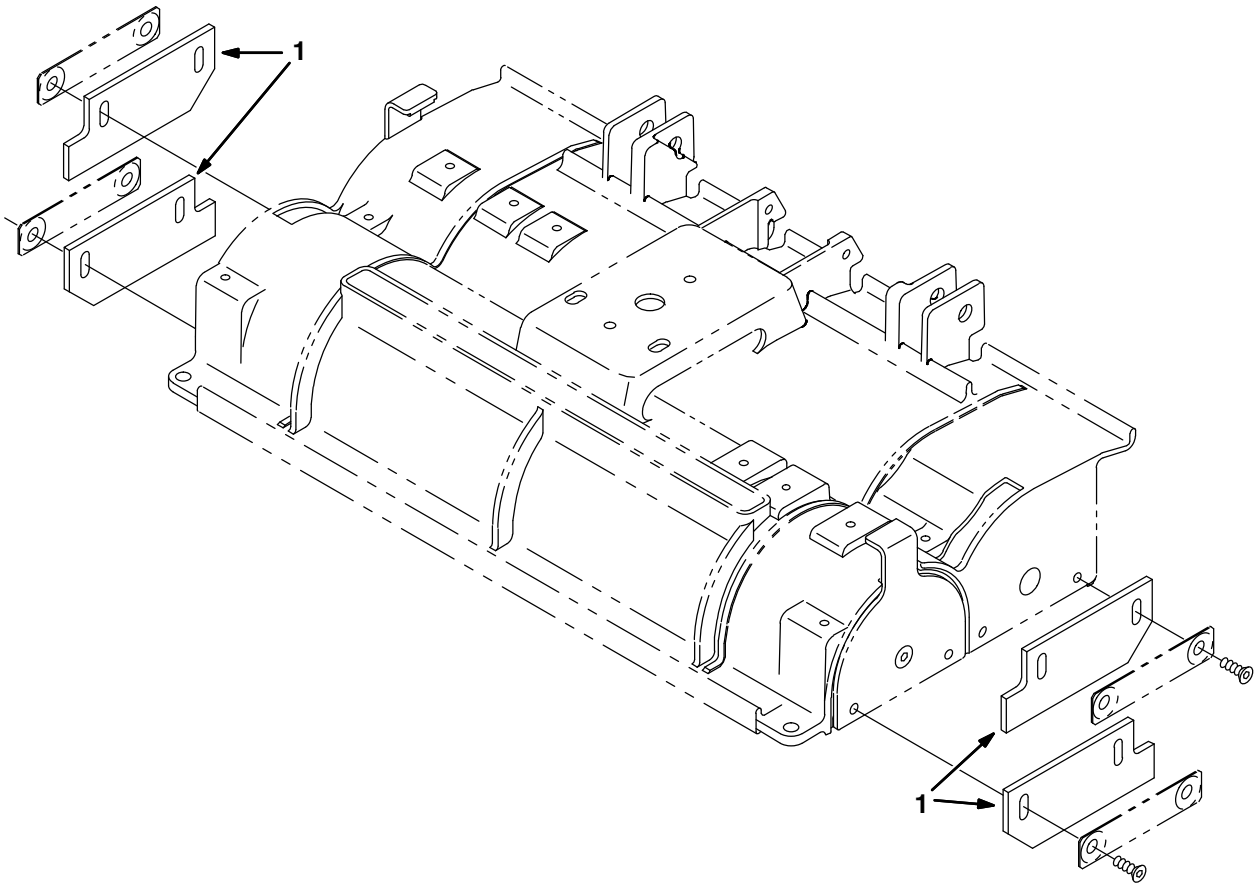
▲ – Identifies parts included in assembly

Fig. 15 – Battery Charger Group



	Ref.	Part No.	Serial Number	Description	Qty.
▽	1	9001055	(10000000–)	Charger Kit, Battery, Ci [Domestic]	1
▲	2	1017079	(10000000–)	Cord, Ele, Chrgr [Onboard]	1
International Only					
	Ref.	Part No.	Serial Number	Description	Qty.
▽	3	9001054	(10000000–)	Charger Kit, Ci [Export/Euro/Asia]	1
▲	4	1019242	(10000000–)	Cord, Ele, Chrgr [European]	1

Fig. 16 – Urethane Scrub Head Skirt Kit

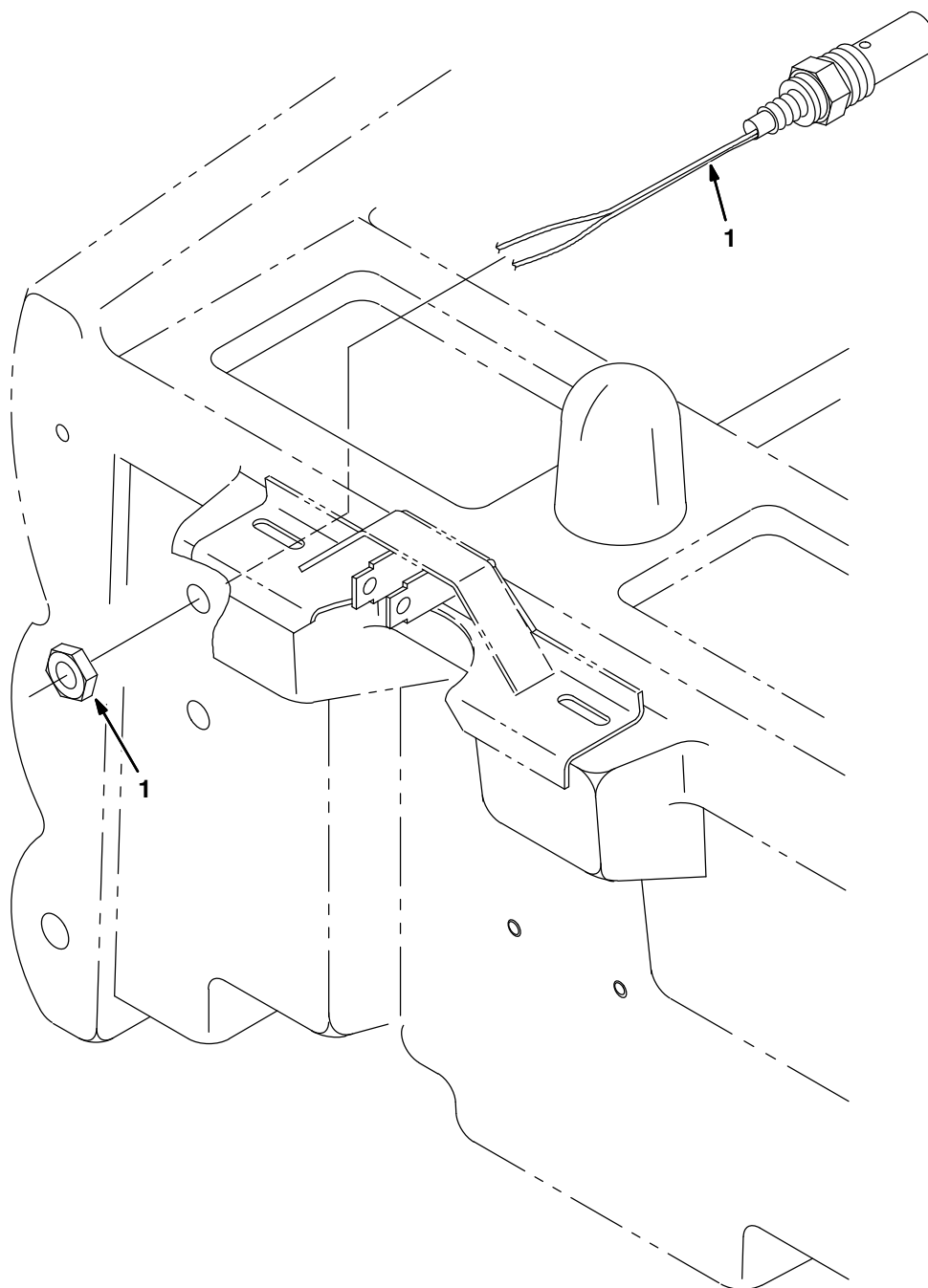


	Ref.	Part No.	Serial Number	Description	Qty.
▽		222819	(10000000–) Skirt Kit, Urethane, Scrubber Head	1
▲	1	222808	(10000000–) Skirt, Scrub Head	4

▽ – Identifies an assembly

▲ – Identifies parts included in assembly

Fig. 17 – Sensor Kit, Shielded

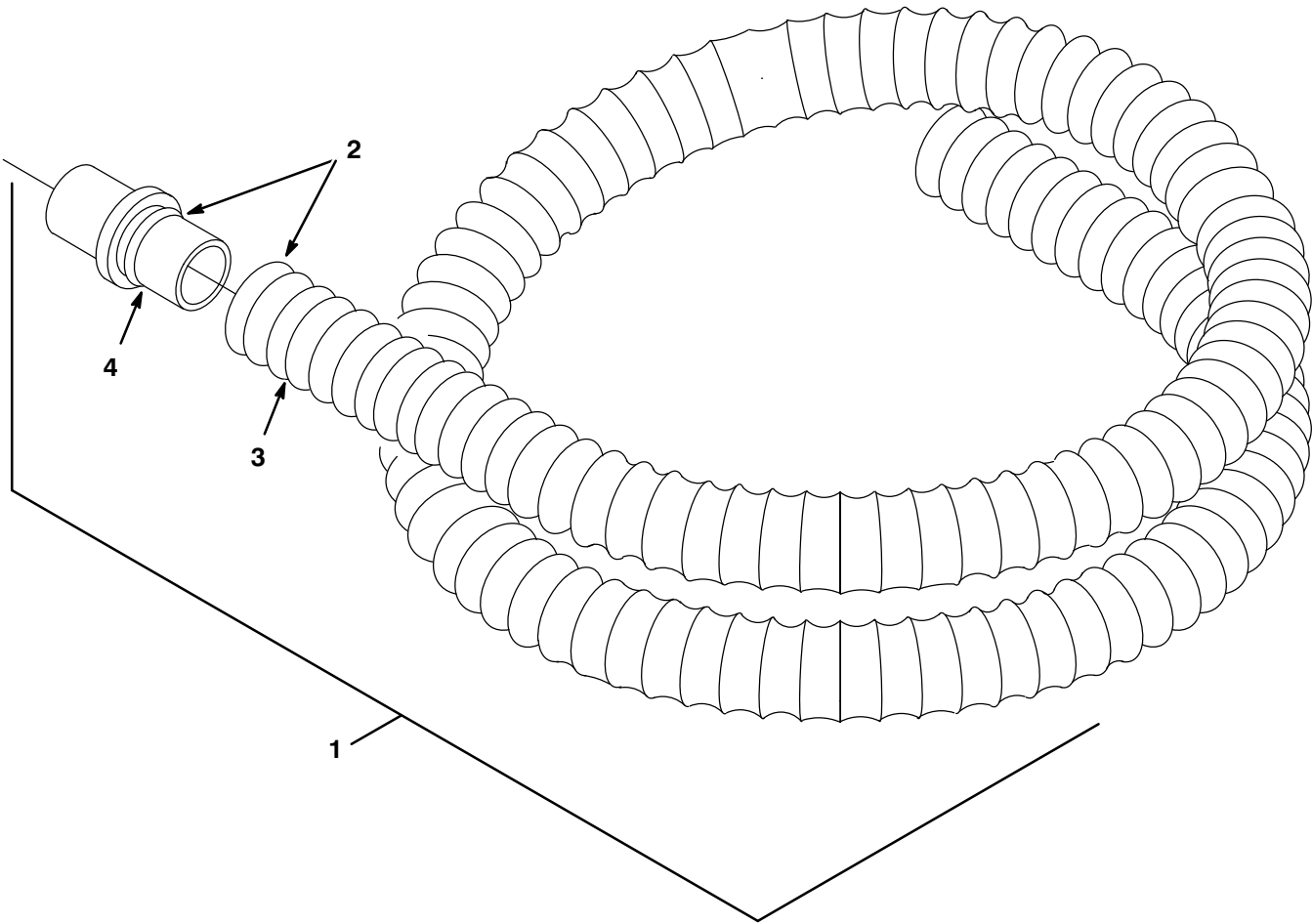


	Ref.	Part No.	Serial Number	Description	Qty.
▽		374109	(10000000–) Kit, Sensor, Shielded	1
▲	1	374078	(10000000–) Switch, Float	1

▽ – Identifies an assembly

▲ – Identifies parts included in assembly

Fig. 18 – Drain Hose Extension Kit

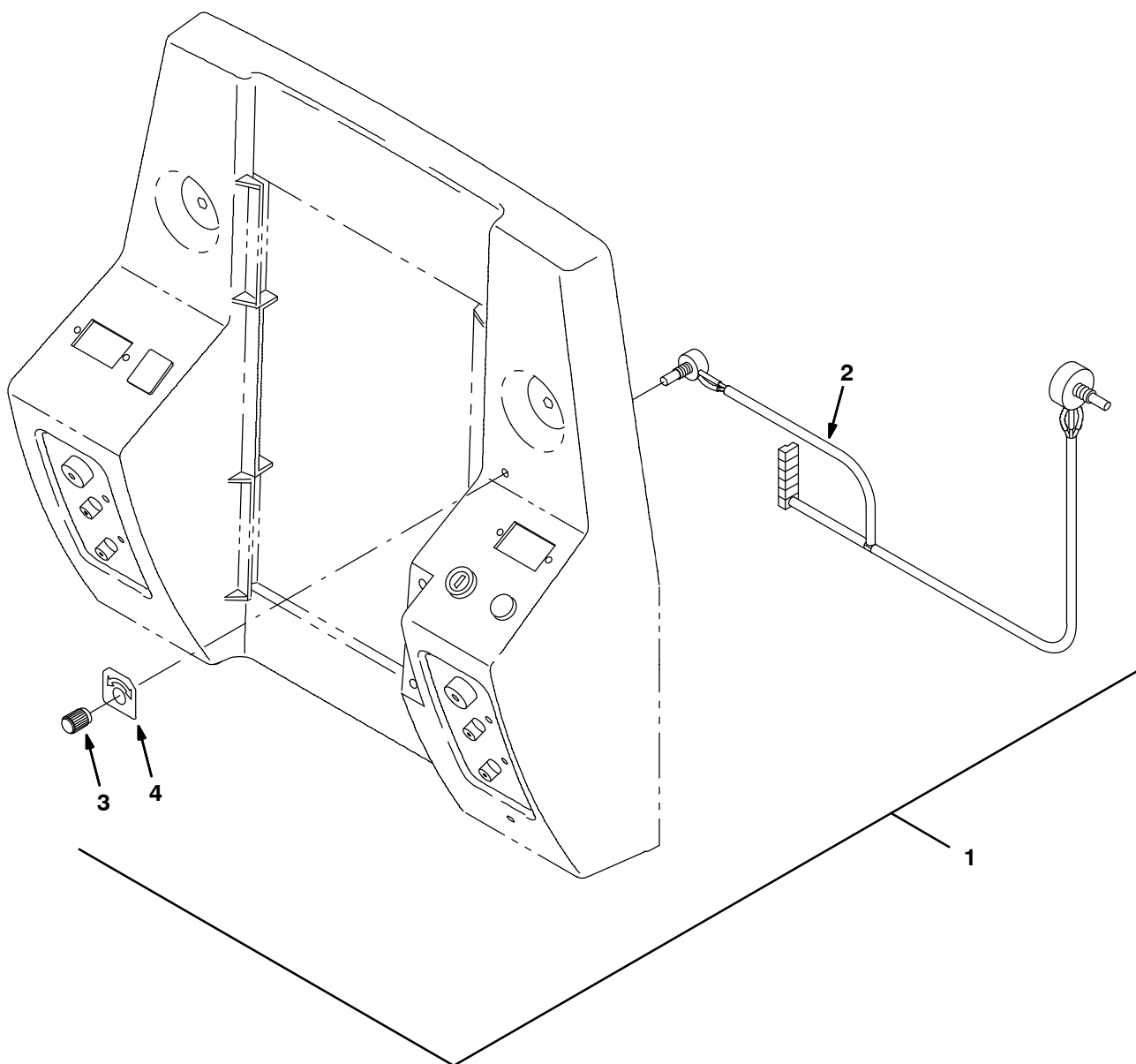


	Ref.	Part No.	Serial Number	Description	Qty.
▽	1	378729	(10000000–) Hose, Drain, Extension	1
▲▽	2	378728	(10000000–) Hose Assy, Drain	1
▲▲	3	378726	(10000000–) Hose, Drain	1
▲▲	4	12694	(10000000–) Ftg, Plastic, Coupling	1

▽ – Identifies an assembly

▲ – Identifies parts included in assembly

Fig. 19 – Speed Reduction Kit

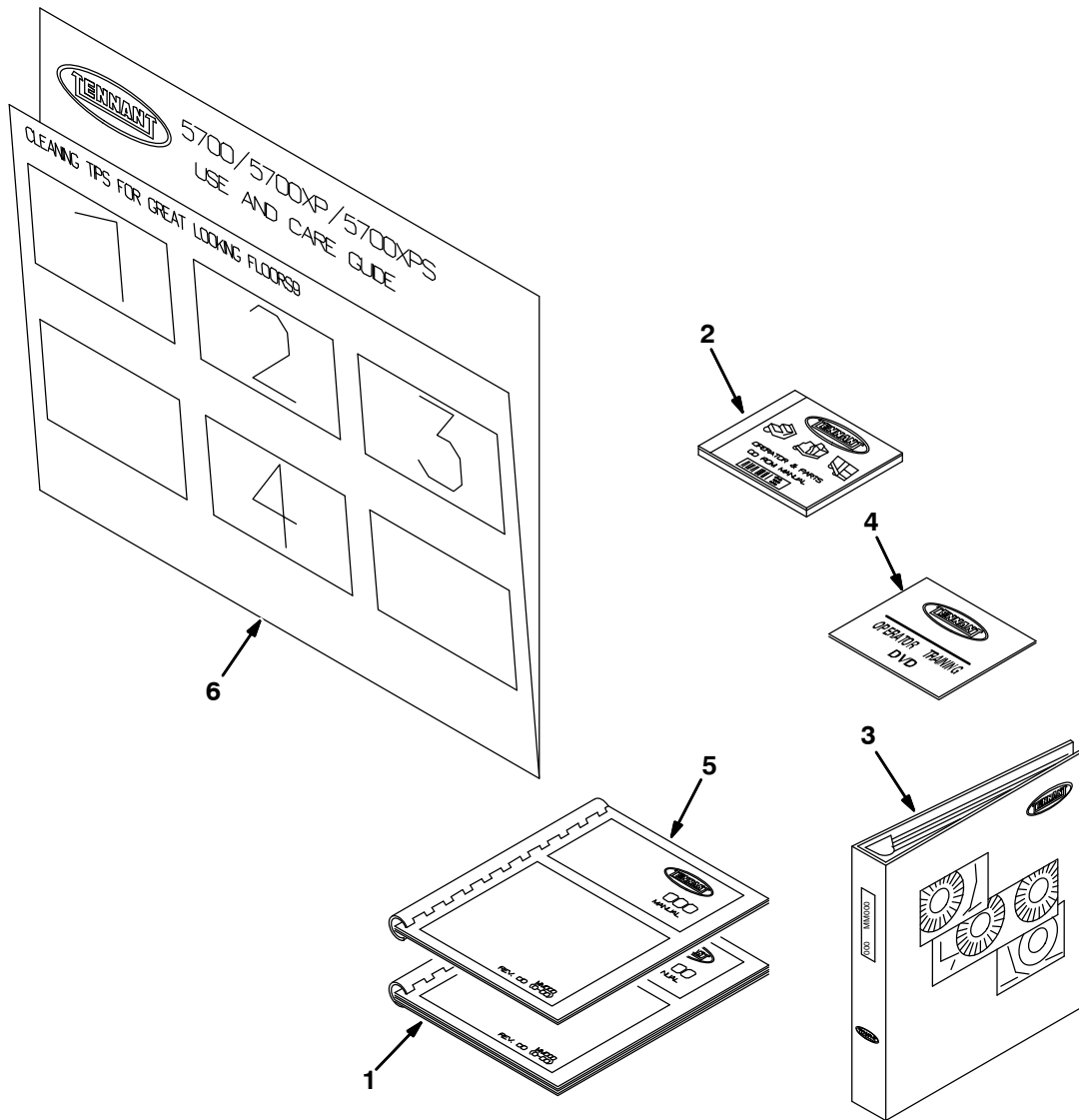


	Ref.	Part No.	Serial Number	Description	Qty.
▽	1	222798	(10000000–) Speed Reduction Kit, 5700	1
▲	2	222833	(10000000–) Potentiometer Assy, Electronic	1
▲	3	222760	(10000000–) Knob, Potentiometer 0.125 Shaft	1
▲	4	222844	(10000000–) Label, Speed Adjustment	1

▽ – Identifies an assembly

▲ – Identifies parts included in assembly

Fig. 20 – Documentation Group



Ref.	Part No.	Serial Number	Description	Qty.
1	331536	(10000000-)	Manual, Parts [5700ee Na 10000000-]	1
2	330710	(10000000-)	Manual, Cd-Rom, Oprr & Parts, All (NA)	1
3	MM406	(10000000-)	Manual, Service 5700	1
4	1041823	(10000000-)	Video, Oprr, Dvd [5700]	1
5	331535	(10000000-)	Manual, Oprr [5700ee Na 10000000-]	1
5	331546	(10000000-)	Manual, Oprr [5700ee, Es Na 10000000-]	1
5	331547	(10000000-)	Manual, Oprr [5700ee, Fr Na 10000000-]	1
6	222878	(10000000-)	Instructions, Machine, 5700	1

SECTION 4

Contents	Page
Fig. 1 – Transaxle Drive Breakdown (w/Parking Brake),1033765, 222037 ..	4-2
Fig. 2 – Transaxle Drive Breakdown (w/o Parking Brake) 1033764, 397707	4-4
Fig. 3 – Transaxle Motor Breakdown, 1031761 ..	4-6
Fig. 4 – Transaxle Motor Breakdown, 374265 ...	4-7
Fig. 5 – Electric Motor Breakdown, 1038426	4-8
Fig. 6 – Electric Motor Breakdown, 375175	4-9
Fig. 7 – Electric Motor Breakdown, 222708	4-10
Fig. 8 – Electric Motor Breakdown, 374201	4-11
Fig. 9 – Electric Motor Breakdown, 1053284 ...	4-12
Fig. 10 – Water Pump Breakdown, 222259	4-13

Fig. 1 - Transaxle Drive Breakdown (w/Parking Brake) 1033765, 222037

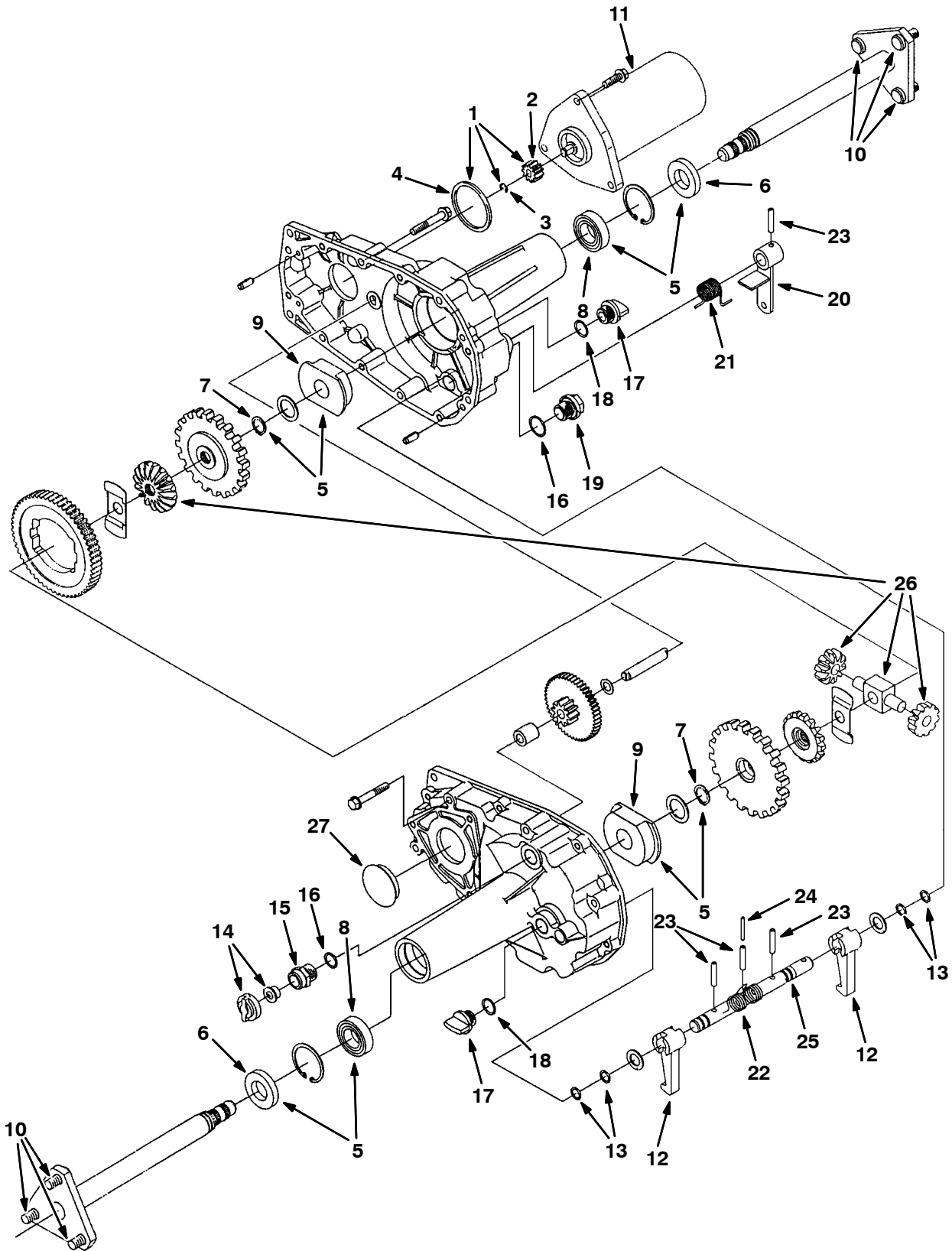


Fig. 1 – Transaxle Drive Breakdown (w/Parking Brake) 1033765, 222037

	Ref.	Part No.	Serial Number	Description	Qty.
▽		1033765	(10321996–10368983)	Transaxle Assy, W/Parking Brake	1
		222037	(10000000–10321995)	Transaxle Assy, W/Parking Brake	1
▲▽	1	222640	(10000000–)	Mtr Gear Kit	1
▲▲	2	222599	(10000000–)	Pinion Gear	1
▲▲	3	222656	(10000000–)	Clip	1
▲▲	4	222657	(10000000–)	O–Ring	1
▲▽	5	222641	(10000000–)	Brg&Seal Kit	1
▲▲	6	222658	(10000000–)	Seal	2
▲▲	7	222659	(10000000–)	Snap Ring	2
▲▲	8	222660	(10000000–)	Bearing	2
▲▲	9	222661	(10000000–)	Bushing	2
▲	10	11117	(10000000–)	Stud, Wheel .44–20 X1.22	6
▲	11	1031761	(10321996–10368983)	Motor, Ele, 36Vdc 2000Rpm 0.50Hp (See Breakdowns)	1
	11	374265	(10000000–10321995)	Motor, Ele, 36Vdc 2000Rpm 0.50Hp (See Breakdowns)	1
▲	12	374051	(10000000–)	Pawl, Park	2
▲	13	374052	(10000000–)	Packing, Pawl	4
▲	14	374053	(10000000–)	Vent, Valve	1
▲	15	374054	(10000000–)	Plug, Breather	1
▲	16	374055	(10000000–)	Packing, Breather	2
▲	17	374056	(10000000–)	Cap, Oil	2
▲	18	374057	(10000000–)	Packing, Cap	2
▲	19	374058	(10000000–)	Plug, Drain	1
▲	20	374061	(10000000–)	Arm, Park	1
▲	21	374062	(10000000–)	Spring, Return	1
▲	22	374063	(10000000–)	Spring, Park	1
▲	23	374064	(10000000–)	Pin, Roll 6–32	4
▲	24	374065	(10000000–)	Pin, Roll 3.5–32	1
▲	25	374066	(10000000–)	Shaft, Parking	1
▲	26	388499	(10000000–)	Kit, Gear, Differential	1
▲	27	388485	(10000000–)	Plug	1

▽ – Identifies an assembly

▲ – Identifies parts included in assembly

Fig. 2 - Transaxle Drive Breakdown (w/o Parking Brake) 1033764, 397707

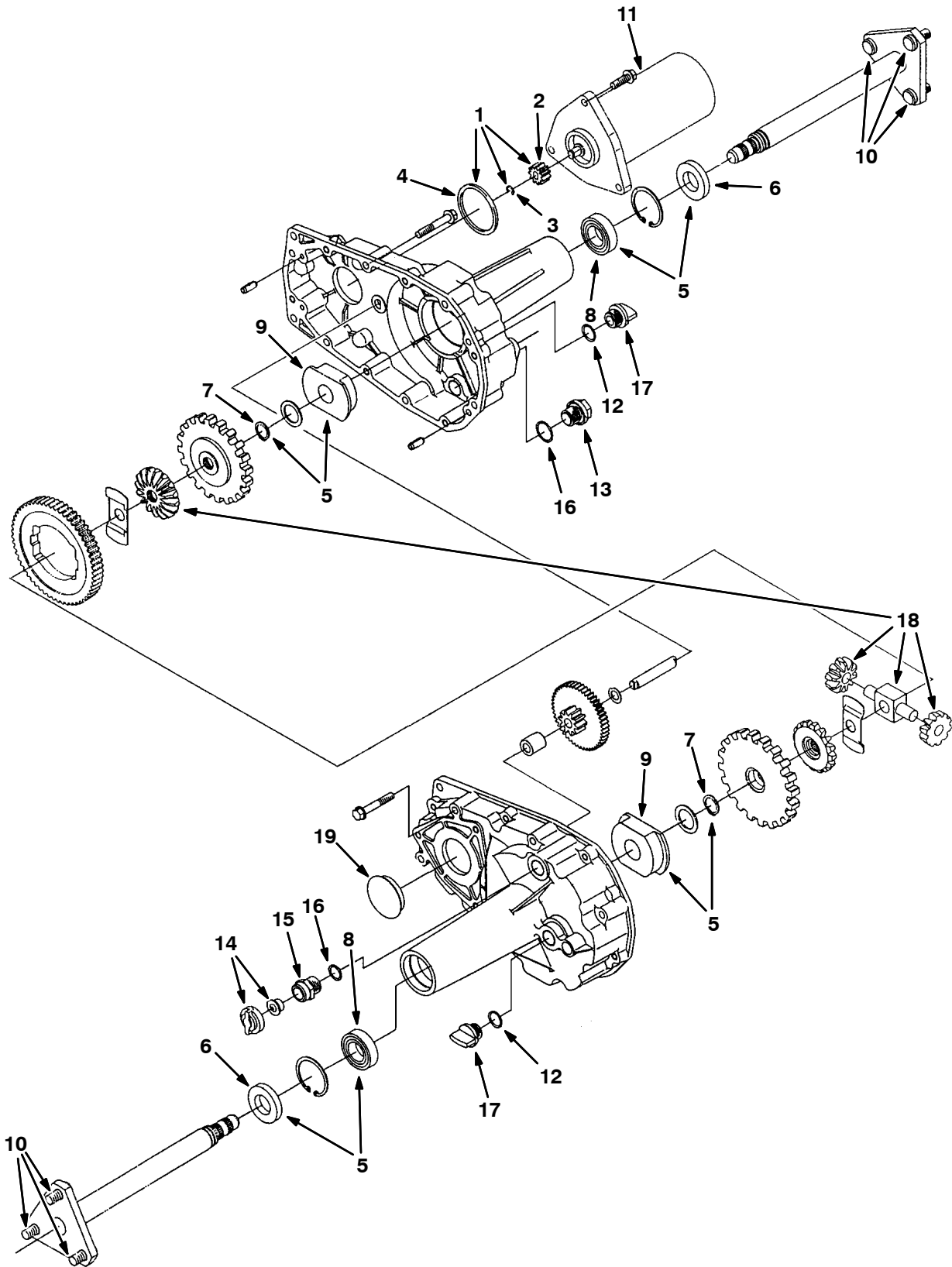


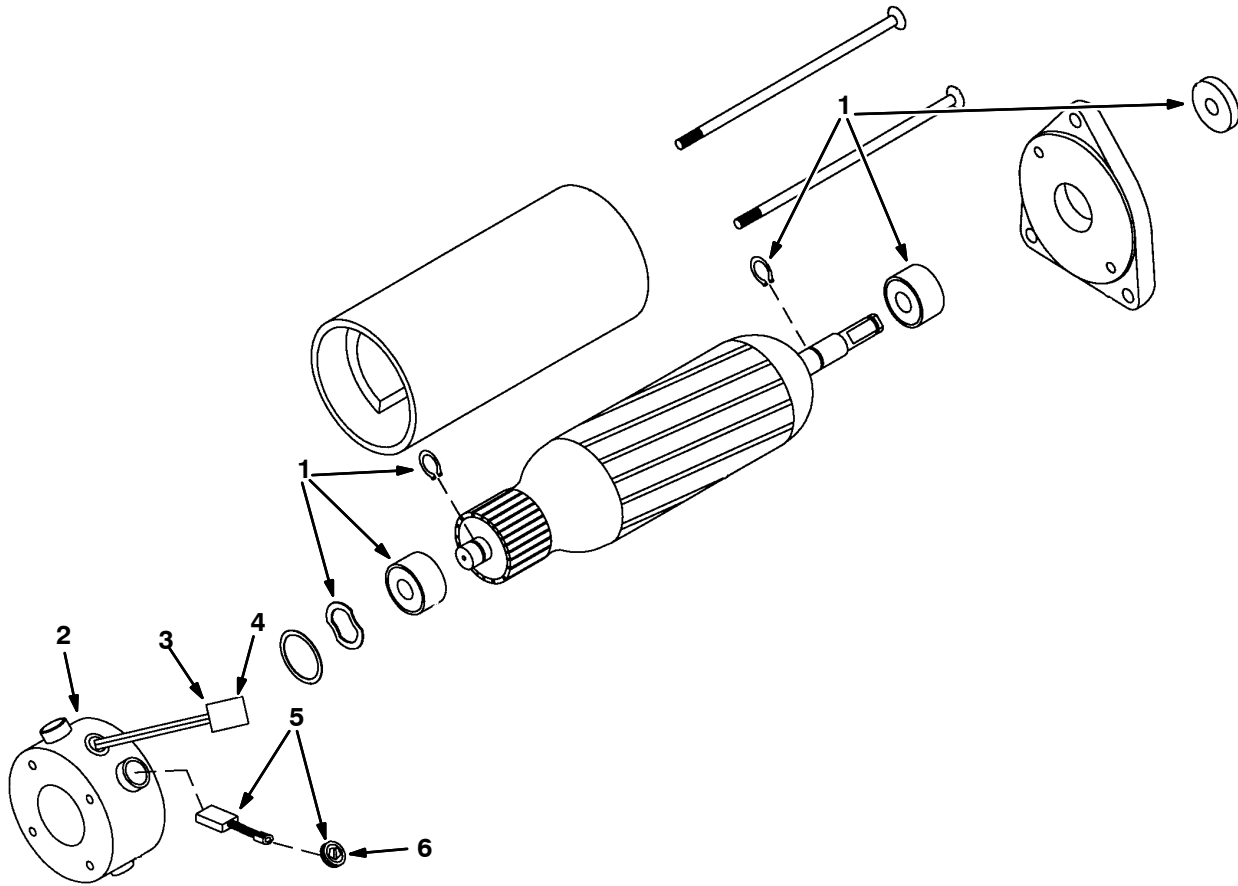
Fig. 2 – Transaxle Drive Breakdown (w/o Parking Brake) 1033764, 397707

	Ref.	Part No.	Serial Number	Description	Qty.
▽		1033764	(10306809–10364537)	Transaxle Assy, W/ Motor [W/O Park Lock]	1
		397707	(10000000–10306808)	Transaxle, Ele, w/.50Hp Motor	1
▲▽	1	222640	(10000000–10364537)	Mtr Gear Kit	1
▲▲	2	222599	(10000000–10364537)	Pinion Gear	1
▲▲	3	222656	(10000000–10364537)	Clip	1
▲▲	4	222657	(10000000–10364537)	O–Ring	1
▲▽	5	222641	(10000000–10364537)	Brg&Seal Kit	1
▲▲	6	222658	(10000000–10364537)	Seal	2
▲▲	7	222659	(10000000–10364537)	Snap Ring	2
▲▲	8	222660	(10000000–10364537)	Bearing	2
▲▲	9	222661	(10000000–10364537)	Bushing	2
▲	10	11117	(10000000–10364537)	Stud, Wheel .44–20 X1.22	6
▲	11	1031761	(10000000–10364537)	Motor, Ele, 36Vdc 2000Rpm 0.50Hp (See Breakdowns)	1
▲	12	374057	(10000000–10364537)	Packing, Cap	2
▲	13	374058	(10000000–10364537)	Plug, Drain	1
▲	14	374053	(10000000–10364537)	Vent, Valve	1
▲	15	374054	(10000000–10364537)	Plug, Breather	1
▲	16	374055	(10000000–10364537)	Packing, Breather	2
▲	17	374056	(10000000–10364537)	Cap, Oil	2
▲	18	388499	(10000000–10364537)	Kit, Gear, Differential	1
▲	19	388485	(10000000–10364537)	Plug	1

▽ – Identifies an assembly

▲ – Identifies parts included in assembly

Fig. 3 – Transaxle Motor Breakdown, 1031761

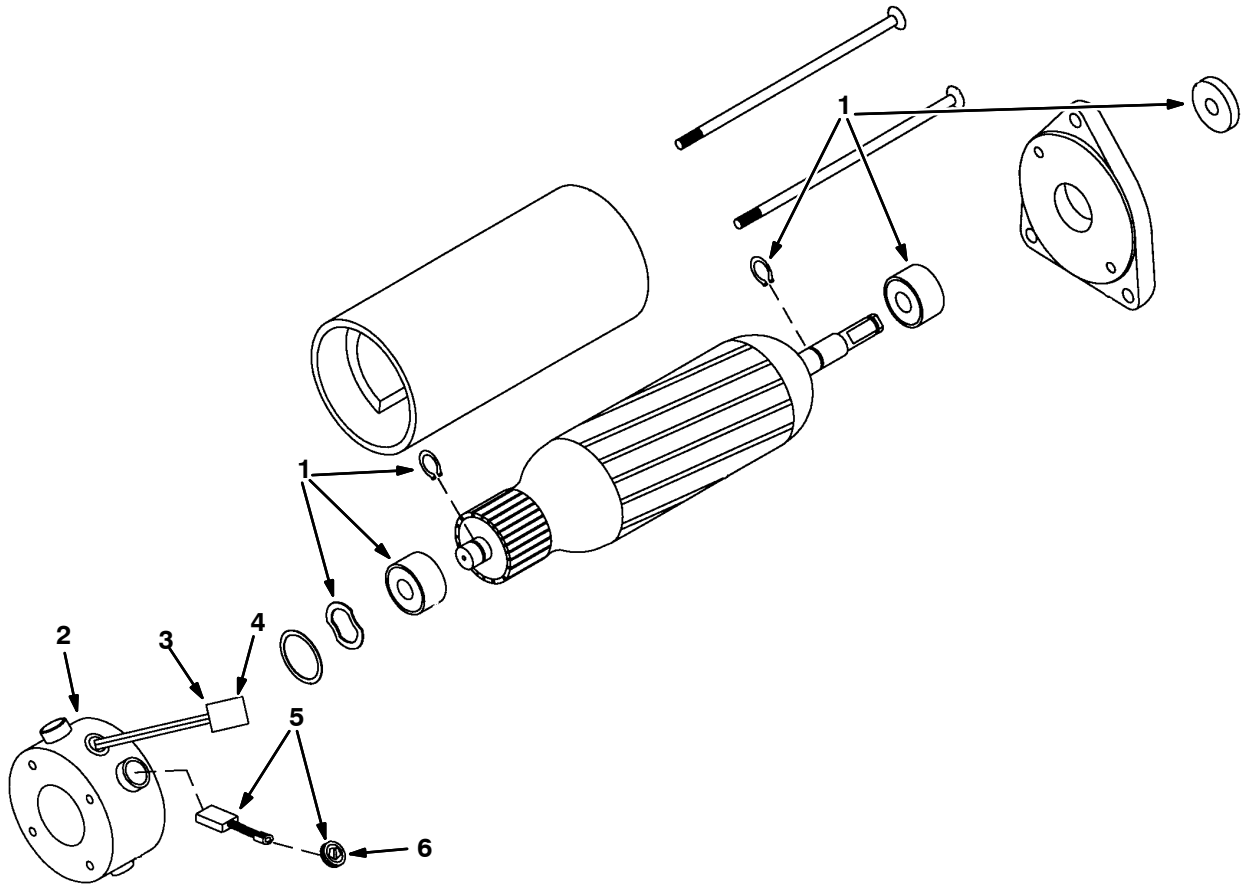


Ref.	Part No.	Serial Number	Description	Qty.
▽	1031761	(10306809-10364537)	Motor, Ele, 36Vdc 2000Rpm 0.50Hp	1
▲▽	1	1034372 (10306809-10364537)	Bearing Kit, Motor, Ele (Kit3874)	1
▲▽	2	374003 (10306809-10364537)	Endbell, Brush End, Motor, Ele [Magnt	1
▲▲	3	10925 (10306809-10364537)	Connector, Fem, 2cav [Mp630 Sealed]	1
▲▲	4	24537 (10306809-10364537)	Terminal, Fem, 10/12ga [Mp630 P2s]	2
▲▽	5	1034373 (10306809-10364537)	Brush Kit, Motor, Ele (Kit3873)	1
▲▲	6	1034375 (10306809-10364537)	Brush Cap Assy, Motor, Ele (BCA3762)	4

▽ – Identifies an assembly

▲ – Identifies parts included in assembly

Fig. 4 – Transaxle Motor Breakdown, 374265

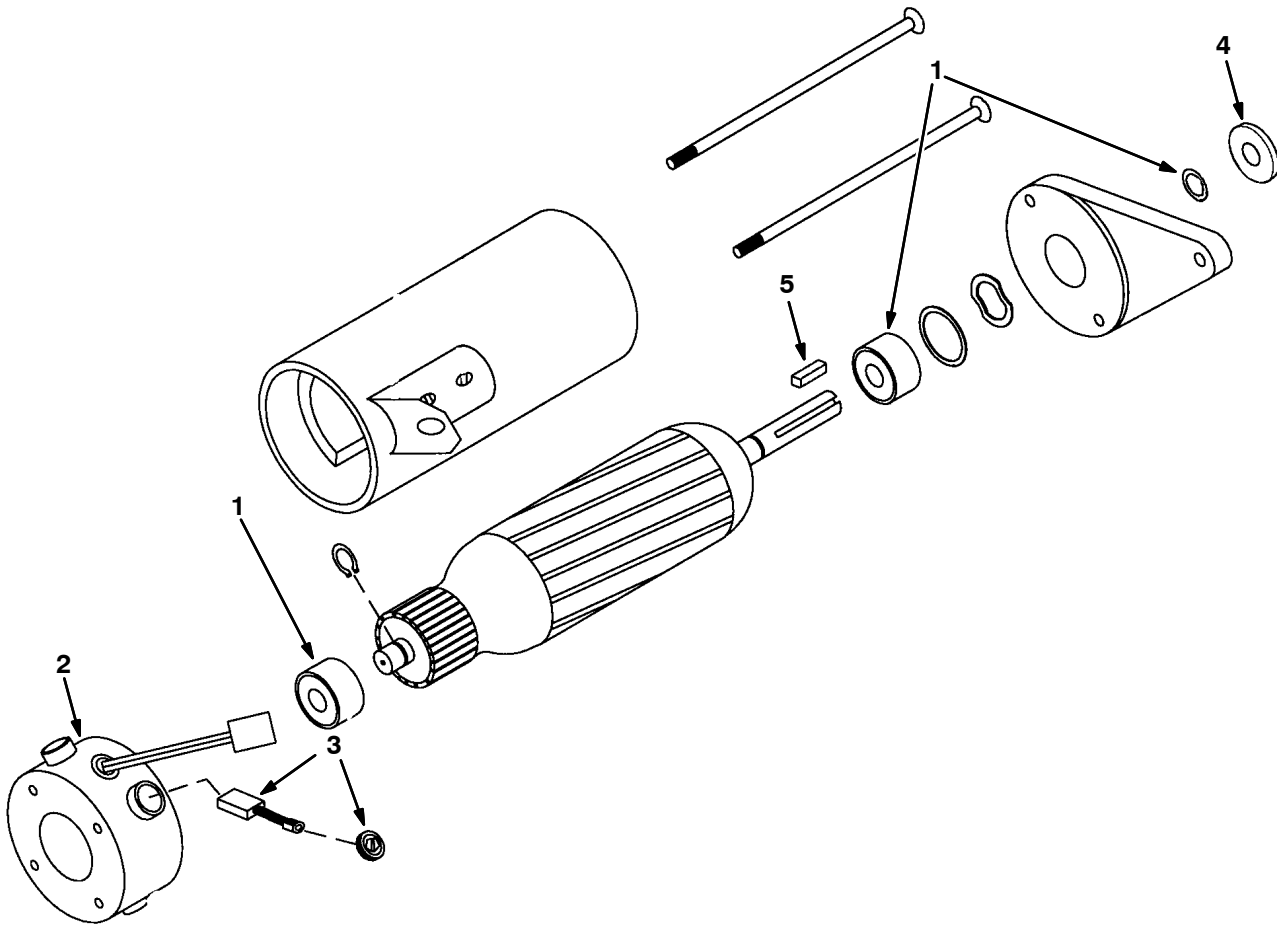


	Ref.	Part No.	Serial Number	Description	Qty.
▽		374265	(10000000-10306808)	Motor, Ele, 36Vdc 2000Rpm 0.50Hp	1
▲▽	1	374271	(10000000-10306808)	Bearing Kit, Motor, Ele	1
▲▽	2	374003	(10000000-10306808)	Endbell, Brush End, Motor, Ele [Magnt	1
▲▲	3	10925	(10000000-10306808)	Connector, Fem, 2cav [Mp630 Sealed]	1
▲▲	4	24537	(10000000-10306808)	Terminal, Fem, 10/12ga [Mp630 P2s]	2
▲▽	5	222625	(10000000-10306808)	Kit, Brush, Motor, Ele (Kit842)	1
▲▲	6	222629	(10000000-10306808)	Cap, Brush Holder, Motor, Ele[Magnetek]	4

▽ – Identifies an assembly

▲ – Identifies parts included in assembly

Fig. 5 – Electric Motor Breakdown, 1038426

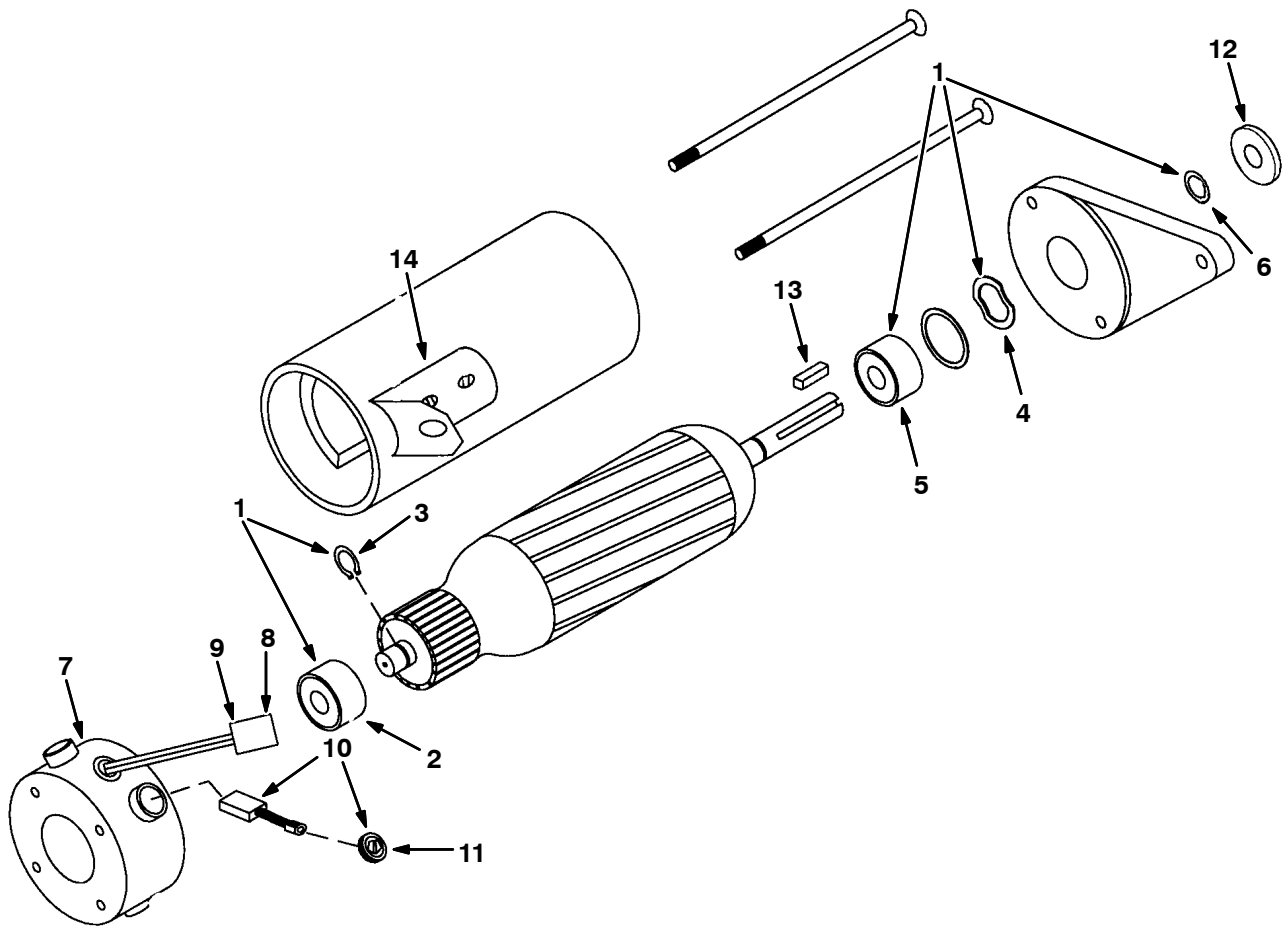


Ref.	Part No.	Serial Number	Description	Qty.	
▽	1038426	(10355043–) Motor, Ele, 36Vdc 1700Rpm 0.75Hp	1	
▲	1	1039816	(10355043–) Bearing Kit, Motor, Ele	1
▲	2	1039818	(10355043–) Cap Assy, Brush, Ele Motor	1
▲	3	1039817	(10355043–) Brush Kit, Motor, Ele	1
▲	4	20536-2	(10355043–) Washer, 0.47b 1.19d .03, Nyl	1
▲	5	00954	(10355043–) Key, Sq, 0.12 X 0.12, 01.00l	1

▽ – Identifies an assembly

▲ – Identifies parts included in assembly

Fig. 6 – Electric Motor Breakdown, 375175

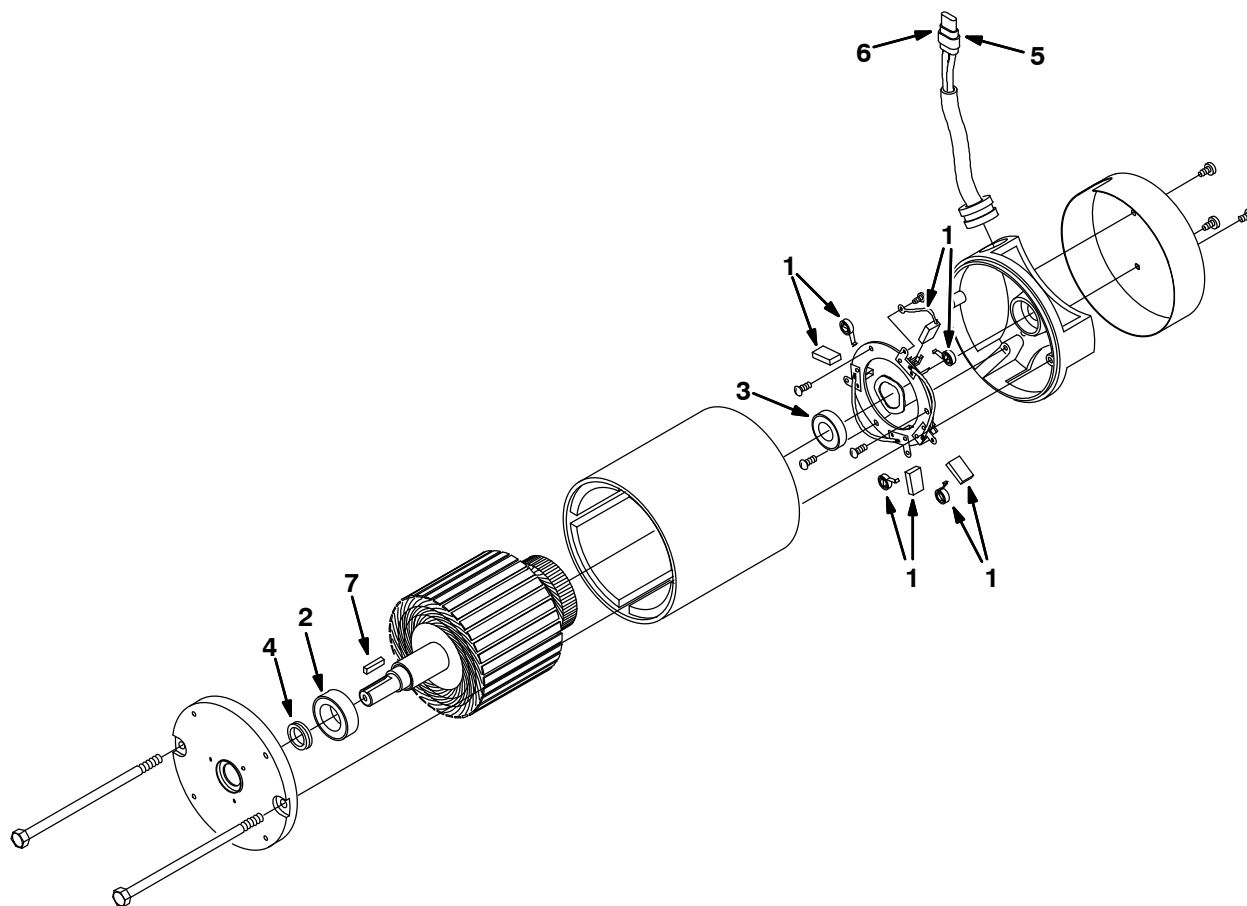


Ref.	Part No.	Serial Number	Description	Qty.
▽	375175	(10000000-10355042)	Motor Assy, Ele, 36Vdc, 0.75Hp, 1700Rpm	1
▲▽	1 375176	(10000000-10355042)	Kit, Motor Bearing	1
▲▲	2 222635	(10000000-10355042)	Bearing	1
▲▲	3 222637	(10000000-10355042)	Ring, Snap	1
▲▲	4 375177	(10000000-10355042)	Washer, Spring	1
▲▲	5 375178	(10000000-10355042)	Bearing, Drive End	1
▲▲	6 375179	(10000000-10355042)	Seal	1
▲▽	7 374004	(10000000-10355042)	Endbell, Brush End, Motor-Ele	1
▲▲	8 10925	(10000000-10355042)	Connector, 2-Conductor	1
▲▲	9 24537	(10000000-10355042)	Terminal, Female	2
▲▽	10 222625	(10000000-10355042)	Kit, Brush	1
▲▲	11 222629	(10000000-10355042)	Cap, Brush Holder	4
▲	12 20536-2	(10000000-10355042)	Washer, 0.47b 1.19d .03, Nyl	1
▲	13 00954	(10000000-10355042)	Key, Sq, 0.12 X 0.12, 01.00l	1
▲	14 222877	(10000000-10355042)	Kit, Brace	1

▽ – Identifies an assembly

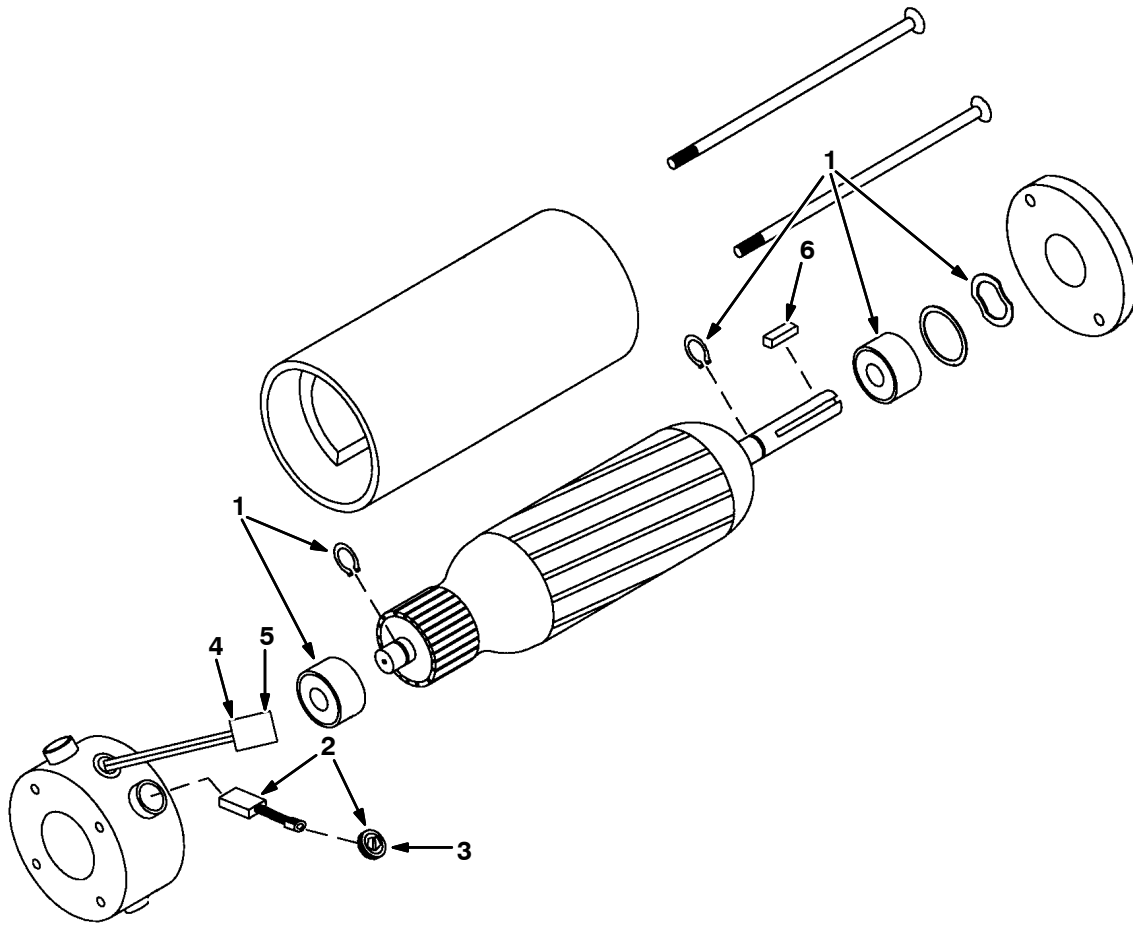
▲ – Identifies parts included in assembly

Fig. 7 – Electric Motor Breakdown, 222708



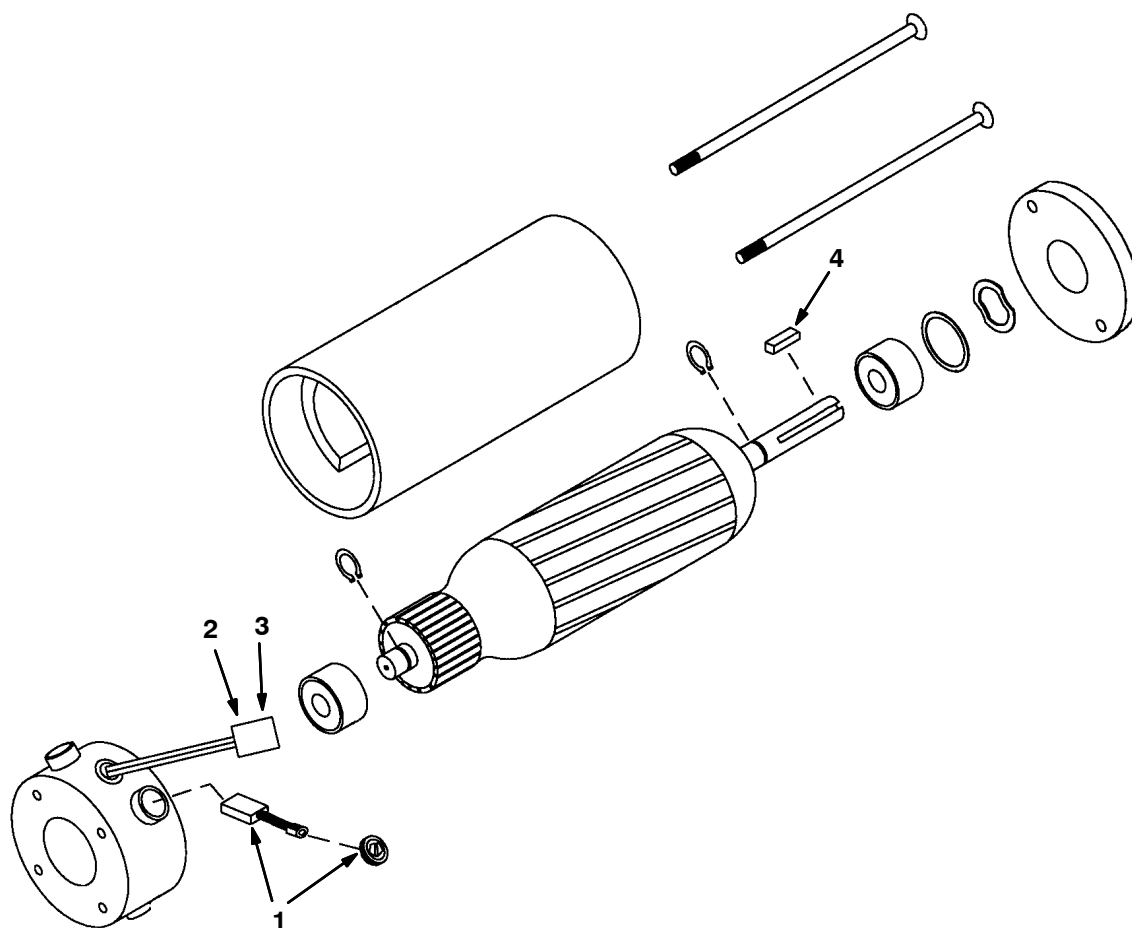
Ref.	Part No.	Serial Number	Description	Qty.
▽	222708	(10000000-)	Motor Assy, Elec, EE, 0.6Hp	1
▲	1 222606	(10000000-)	Brush Kit	1
▲	2 222616	(10000000-)	Bearing	1
▲	3 222617	(10000000-)	Bearing	1
▲	4 222619	(10000000-)	Oil Seal	1
▲	5 10925	(10000000-)	Connector, 2 Conductor	1
▲	6 24537	(10000000-)	Terminal, Female	2
▲	7 00928	(10000000-)	Key Square 0.25 0.25 01.00 Lg	1

Fig. 8 – Electric Motor Breakdown, 374201



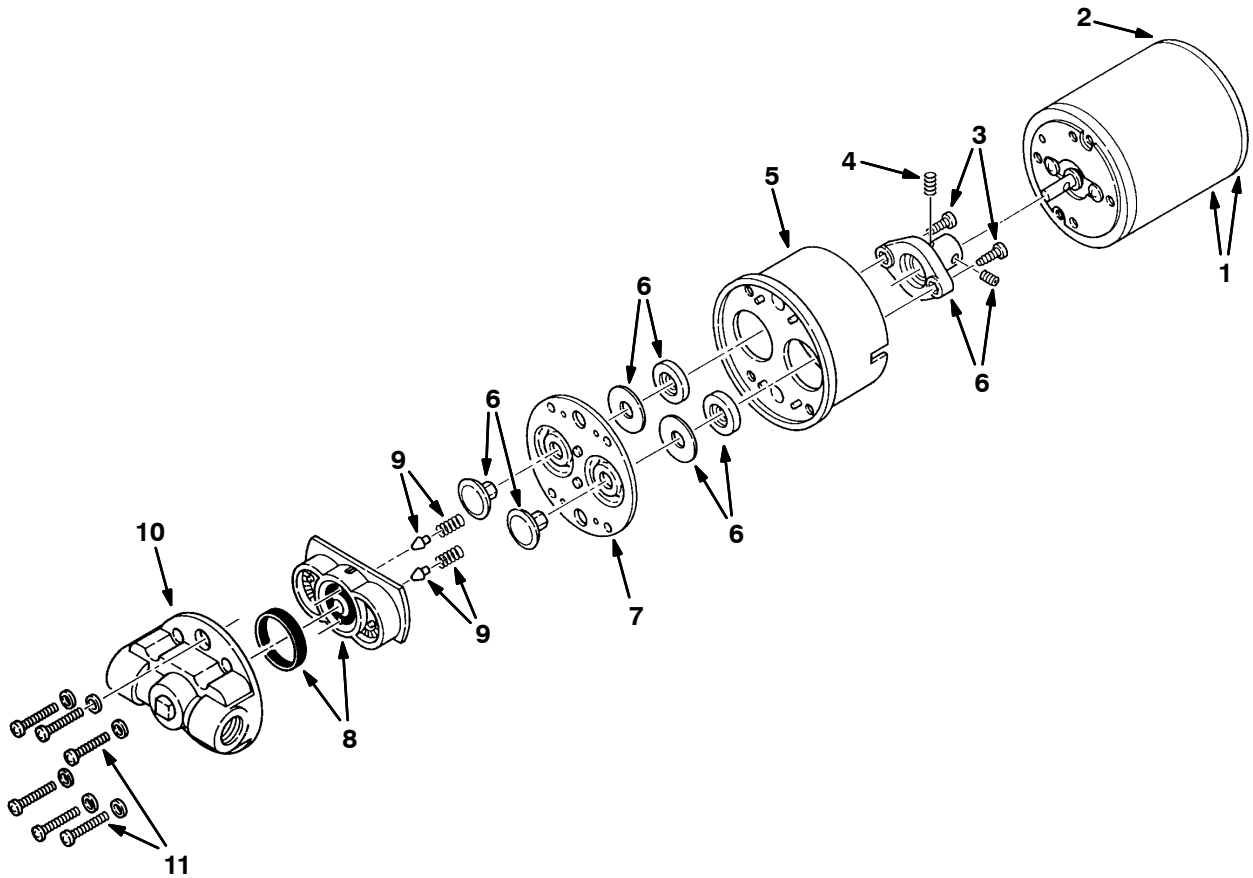
Ref.	Part No.	Serial Number	Description	Qty.
▽	374201	(10000000-10422746)	Motor Assy,EE Vac Fan	1
▲	1	375176 (10000000-10422746)	Bearing Kit	1
▲▽	2	222625 (10000000-10422746)	Brush Kit	1
▲▲	3	222629 (10000000-10422746)	Brush Holder Cap	4
▲	4	10925 (10000000-)	Connector, 2 Conductor	1
▲	5	24537 (10000000-)	Terminal, Female	2
▲	6	00912 (10000000-)	Key, Square 0.19 0.19 1.00Lg	1

Fig. 9 – Electric Motor Breakdown, 1053284



Ref.	Part No.	Serial Number	Description	Qty.	
▽	1053284	(10422747-) Motor, Ele, 36vdc 2500rpm 0.75hp	1	
▲	1	1039817	(10422747-) Vr, Brush Kit, Motor, Ele	1
▲	2	10925	(10000000-) Connector, 2 Conductor	1
▲	3	24537	(10000000-) Terminal, Female	2
▲	4	00912	(10000000-) Key, Square 0.19 0.19 1.00Lg	1

Fig. 10 – Water Pump Breakdown, 222259



Ref.	Part No.	Serial Number	Description	Qty.
▽	222259	(10000000-)) Pump Assy, Water 36Vdc	1
▲▽	1 65700	(10000000-)) Motor 36V Dc	1
▲▲	2 65701	(10000000-)) Brush-Endbell	1
▲▲	65702	(10000000-)) Brush Kit	1
▲▽	65710	(10000000-)) Pump Head Assembly	1
▲▲	3 65667	(10000000-)) Cam/Bearing Scr	2
▲▲	4 65668	(10000000-)) Scr-Set Cam Brg	1
▲▲	370924	(10000000-)) Cam Brg/Diaph Kit	1
▲▲	5 49901	(10000000-)) Bearing Cover	1
▲▲	6 65706	(10000000-)) Piston-Inner&Out	1
▲▲	7 65707	(10000000-)) Diaphragm Kit	1
▲▲	8 65708	(10000000-)) Ck Valve - Buna	1
▲▲	9 65709	(10000000-)) Bypass Spgs&Popp	1
▲▲	10 49886	(10000000-)) Pump	1
▲▲	11 65675	(10000000-)) Pump Screws	6

▽ - Identifies an assembly

▲ - Identifies parts included in assembly