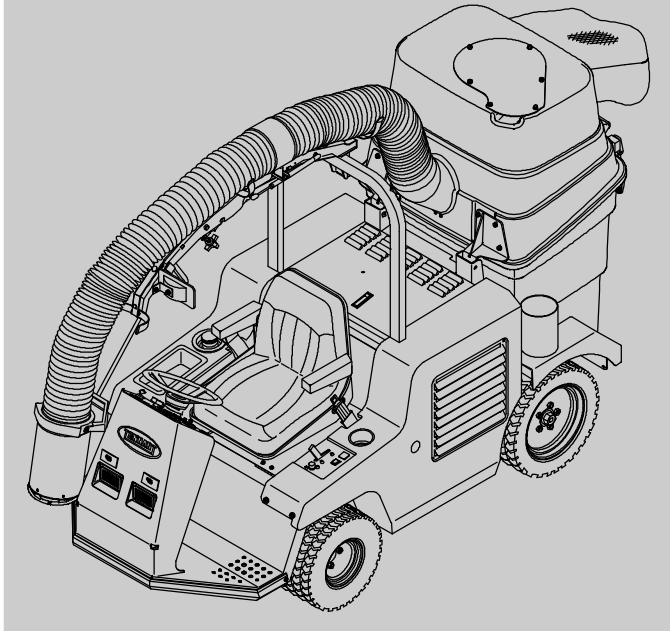
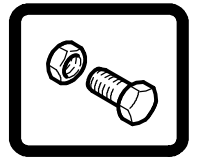




# ATLV™ 4300

## Litter Vacuum Parts Manual



**North America / International**

[www.tennantco.com](http://www.tennantco.com)

330510  
Rev. 15 (01-2010)



When ordering replacement parts, use the illustrated parts list section in this manual. Before ordering parts or supplies, be sure to have your machine model number and serial number available. Only use TENNANT Company supplied or equivalent parts. Parts and supplies may be ordered online, by phone, or mail from any authorized parts and service center, distributor or from any of the manufacturer's subsidiaries.

This machine will provide excellent service. However, the best results will be obtained at minimum costs if:

- The machine is operated with reasonable care.
- The machine is maintained regularly - per the machine maintenance instructions provided.
- The machine is maintained with manufacturer supplied or equivalent parts.

<b>MACHINE DATA</b>	
Please fill out at time of installation for future reference.	
Model No. -	_____
Serial No. -	_____
Machine Options -	_____
Sales Rep. -	_____
Sales Rep. phone no. -	_____
Customer Number -	_____
Installation Date -	_____

**Tennant Company**  
PO Box 1452  
Minneapolis, MN 55440  
Phone: (800) 553-8033 or (763) 513-2850  
[www.tennantco.com](http://www.tennantco.com)

ATLV 4300 is a United States trademarks of the Tennant Company

Specifications and parts are subject to change without notice.

Original Instructions, copyright © 1998-2003, 2005, 2007 - 2010 TENNANT Company, Printed in U.S.A.

## HOW TO USE THIS MANUAL

This section on *HOW TO USE THIS MANUAL* will tell you how to:

- Find important machine information for ordering correct repair parts.
- Find TENNANT part numbers.
- Order TENNANT parts and supplies.

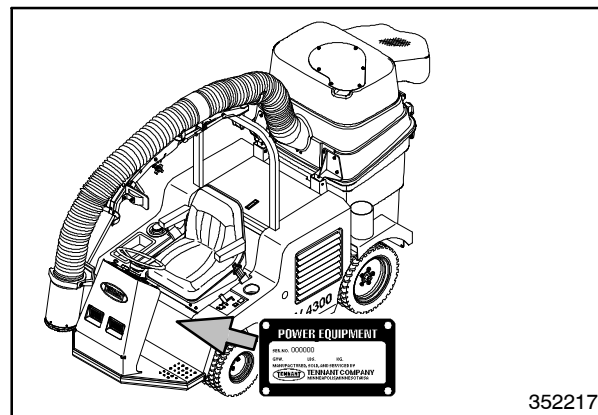
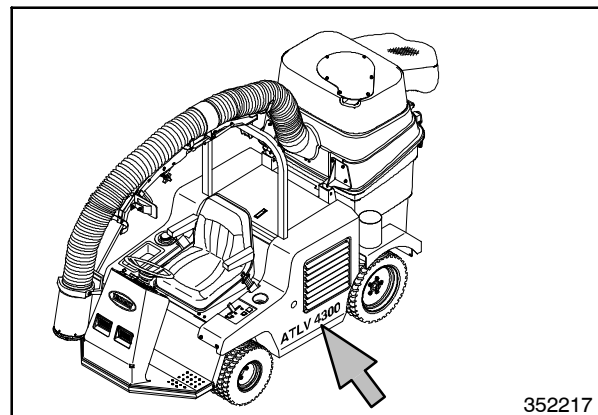
### IMPORTANT INFORMATION

When placing an order for parts, the machine model and machine serial number are important. Refer to the *MACHINE DATA* box which is filled out during the installation of your machine. The *MACHINE DATA* box is located on the inside of the front cover of this manual.

The model number of your machine is on the side of the machine.

The serial number of your machine is printed on the machine data plate located as shown.

MACHINE DATA	
<i>Please fill out at time of installation for future reference.</i>	
Machine Model Number -	ATLV™ 4300
Machine Serial Number -	_____
Machine Options -	_____
TENNANT Representative/phone no. -	_____
Customer ID Number -	_____
Date of Installation -	_____
Manual Number -	330510
Revision:	00
Published:	08-98



# HOW TO USE THIS MANUAL

## FINDING A TENNANT PART NUMBER

This manual contains the following sections:

- HOW TO USE THIS MANUAL
- STANDARD PARTS
- OPTIONS
- BREAKDOWNS
- ENGINE BREAKDOWNS
- CROSS REFERENCE

The STANDARD PARTS section lists repair parts for standard machines. They are grouped in this general order:

- General wear parts.
- Machine frame and related parts.
- Machine propelling system.
- Vacuum components.
- Electrical parts.

The OPTION section lists repair parts of options.

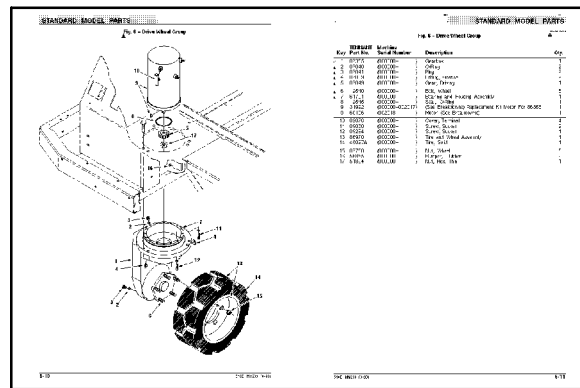
The BREAKDOWN section lists available repair parts of major components.

All sections in this manual consist of parts illustrations and corresponding parts lists.

The parts illustrations are numbered with **Ref** numbers which refer to corresponding parts lists.

The parts lists include a number of columns of information:

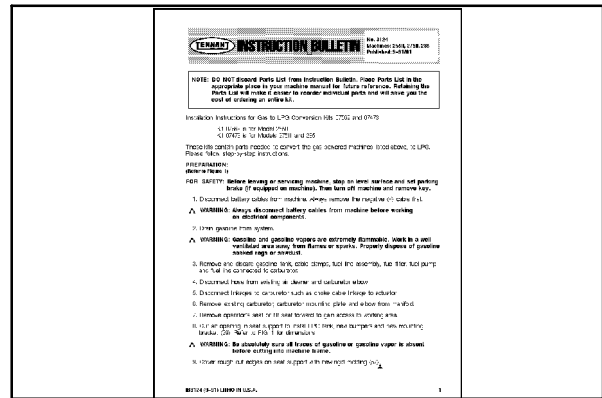
- **Ref** - column refers to the reference number on the parts illustration.
- ▽ - indicates the part is an assembly.
- ▲ - indicates the part is included in the assembly listed just before it.
- **TENNANT Part No.** - column lists the TENNANT part number for the part.
- **Serial Number** - column indicates the set of machines the part number is applicable to. Serial numbers change when the machine design has been modified. The most current design of the machine is shown in the main illustration, older designs are boxed in a corner of the illustration.
- **Description** - column is a brief description of the part.
- **Qty.** - column lists the quantity of that part used in that area of the machine.



Key	TENNANT Part No.	Machine Serial Number	Description	Qty.
▽ 1	87355	(000000-	Gearbox	1
▲ 2	87840	(000000-	O-Ring	2
▲ 3	87841	(000000-	Plug	2
▲ 4	87839	(000000-	Fitting, Grease	1
▲ 5	87849	(000000-	Gear, Driving	1
▲ 6	12540	(000000-	Bolt, Wheel	5
▲ 7	61791	(000000-	Bearing and Housing Assembly	1
▲ 8	12545	(000000-	Seal, O-Ring	1
9	31992	(000000-002017)	(See Breakdowns) Replacement Kit Motor For 86356	1
9	60196	(002018-	Motor (See Breakdowns)	1
10	02076	(000000-	Cover, Terminal	4
11	09030	(000000-	Screw, Socket	2
12	09294	(000000-	Screw, Socket	1
13	85970	(000000-	Tire and Wheel Assembly	1
14	45027A	(000000-	Tire, Solid	1
15	87760	(000000-	Nut, Wheel	5
16	55865	(000000-	Bumper, Rubber	2
17	61824	(000000-	Nut, Hex, Thin	1

**NOTE:** If a service kit is installed on your machine, be sure to keep the **INSTRUCTION BULLETIN** which came with the kit. It contains repair parts numbers needed for ordering future parts.

**NOTE:** Fasteners used in this machine may be metric or non-metric. Take care when replacing hardware to replace with same thread size.



## PLACING AN ORDER

Orders may be placed by phone, fax, or by mail. Phone orders may need written confirmation. Follow the steps below to insure prompt delivery:

1. Identify the model number of your machine.
2. Identify the serial number of your machine.
3. Find the part number of the part you need. Do not order by page number or reference number. If you are not able to find the part number, call your TENNANT representative for help or send the old part as a sample.
4. Determine the quantity of the part you need.
5. Provide the following company information:
  - Company name
  - Customer ID Number
  - Shipping address
  - Billing address
  - First and last name of person ordering parts
  - Telephone number
  - Purchase order number
6. Provide definitive shipping instructions.

## HOW TO USE THIS MANUAL

---

Any claim for loss or damage to a shipment in transit should be filed promptly with the transportation company making the delivery. Shipments will be complete unless the packing list or order acknowledgement indicates items back ordered.

If parts received are suspected to be incorrect or defective, please contact the TENNANT representative from whom you ordered the part. They will give authorization for return and/or handle replacement shipments when required.

## SECTION 2

Contents	Page
Fig. 1 - General Recommended Maintenance Items .....	2-3
Fig. 2 - Main Frame Group .....	2-4
Fig. 3 - Left Side Covers Group .....	2-6
Fig. 4 - Right Side Covers Group .....	2-8
Fig. 5 - Engine Cover Group .....	2-10
Fig. 6 - Seat Support Group .....	2-12
Fig. 7 - Instrument Panel Group .....	2-14
Fig. 8 - Steering Group .....	2-16
Fig. 9 - Engine Mount Group .....	2-18
Fig. 10 - Flywheel Housing Group .....	2-20
Fig. 11 - Throttle Group .....	2-22
Fig. 12 - Air Cleaner Group (000000-003016) .....	2-24
Fig. 13 - Air Cleaner Group (003017- ) .....	2-26
Fig. 14 - Muffler Group .....	2-28
Fig. 15 - Fuel Tank Group .....	2-30
Fig. 16 - Radiator Group (000000-001253) .....	2-32
Fig. 17 - Radiator Group (001254- ) .	2-34
Fig. 18 - Engine Oil and Hydraulic Oil Cooler Group (000000-001253) .	2-36
Fig. 19 - Engine Oil and Hydraulic Oil Cooler Group (001254- ) ..	2-38
Fig. 20 - Battery Group .....	2-40
Fig. 21 - Front Axle Group .....	2-42
Fig. 22 - Rear Drive Wheels Group .....	2-44
Fig. 23 - Brake Pedals Group .....	2-46
Fig. 24 - Directional Pedal Group .....	2-48
Fig. 25 - Vacuum Fan and Housing Group .	2-50
Fig. 26 - Vacuum Bag Group .....	2-52
Fig. 27 - Debris Canister Group (000000-001887) .....	2-54

Contents	Page
Fig. 28 - Debris Canister Group (001888- ) .....	2-56
Fig. 29 - Debris Canister Cover Group ....	2-58
Fig. 30 - Front Vacuum Support Arm Group	2-60
Fig. 31 - Rear Vacuum Support Arm Group	2-62
Fig. 32 - Vacuum Wand Group .....	2-64
Fig. 33 - Hydraulic Hose Group .....	2-66
Fig. 34 - Hydraulic Schematic .....	2-68
Fig. 35 - Hydraulic Pumps Group .....	2-69
Fig. 36 - Hydraulic Pump Linkage Group ..	2-70
Fig. 37 - Hydraulic Valve Group .....	2-72
Fig. 38 - Hydraulic Reservoir Group .....	2-74
Fig. 39 - Electrical Schematic .....	2-76
Fig. 40 - Wire Harness Group .....	2-78
Fig. 41 - Label Group .....	2-85





Fig. 1 - General Recommended Maintenance Items

Ref.	Tennant Part No.	Machine Serial Number	Description	Qty.
▽	368018	(000000-	) Kit, Maint, 400Hour, (4300D)	1
▲	39703-2	(000000-	) Element, Filter, Oil	1
▲	1017826	(000000-	) Filter, Fuel, Element	1
▲	65221	(000000-	) Element, Filter	1
▲	361201	(000000-	) Element, Filter, Air	1
▲	368082	(000000-	) Belt, V, Alternator [Ku] 16282-97010	1
▲	82784	(000000-	) Strainer, Hyd, 25gpm 100mesh Psi	1
▲	367079	(000000-	) Cap, Breather, Hyd, 3.8 Ds	1
▽	398347	(000000-	) Kit, Maint, 800 Hours, (4300D)	1
▲	368107	(000000-	) Kit, Replcmt, Bag, Fltr	1
▲	367693	(000000-	) Blade, Front	1
▲	367692	(000000-	) Blade, Rear	1
▲	367312	(000000-	) Hose, Vacuum 8.0	1
▲	367721	(000000-	) Hose, Vacuum	1
▲	368650	(000000-	) Seal, Bulb, 1.00 Dia, 123.0 Lg	1
▲	367552	(000000-	) Ring	1
▲	367734	(000000-	) Bag, Poly, 3 Mil, 18 Ct	1
	367988	(000000-xxxxxx	) Paint, Can, Acrylic Red	1
	367989	(000000-xxxxxx	) Paint, Can, Acrylic Blue	1
	367990	(000000-xxxxxx	) Paint, Can, Acrylic Green	1
	367991	(000000-xxxxxx	) Paint, Can, Acrylic Yellow	1
	367992	(000000-xxxxxx	) Paint, Can, Acrylic Purple	1
	368164	(000000-	) Paint, Can, Acrylic Off/White	1

**Fig. 2 - Main Frame Group**

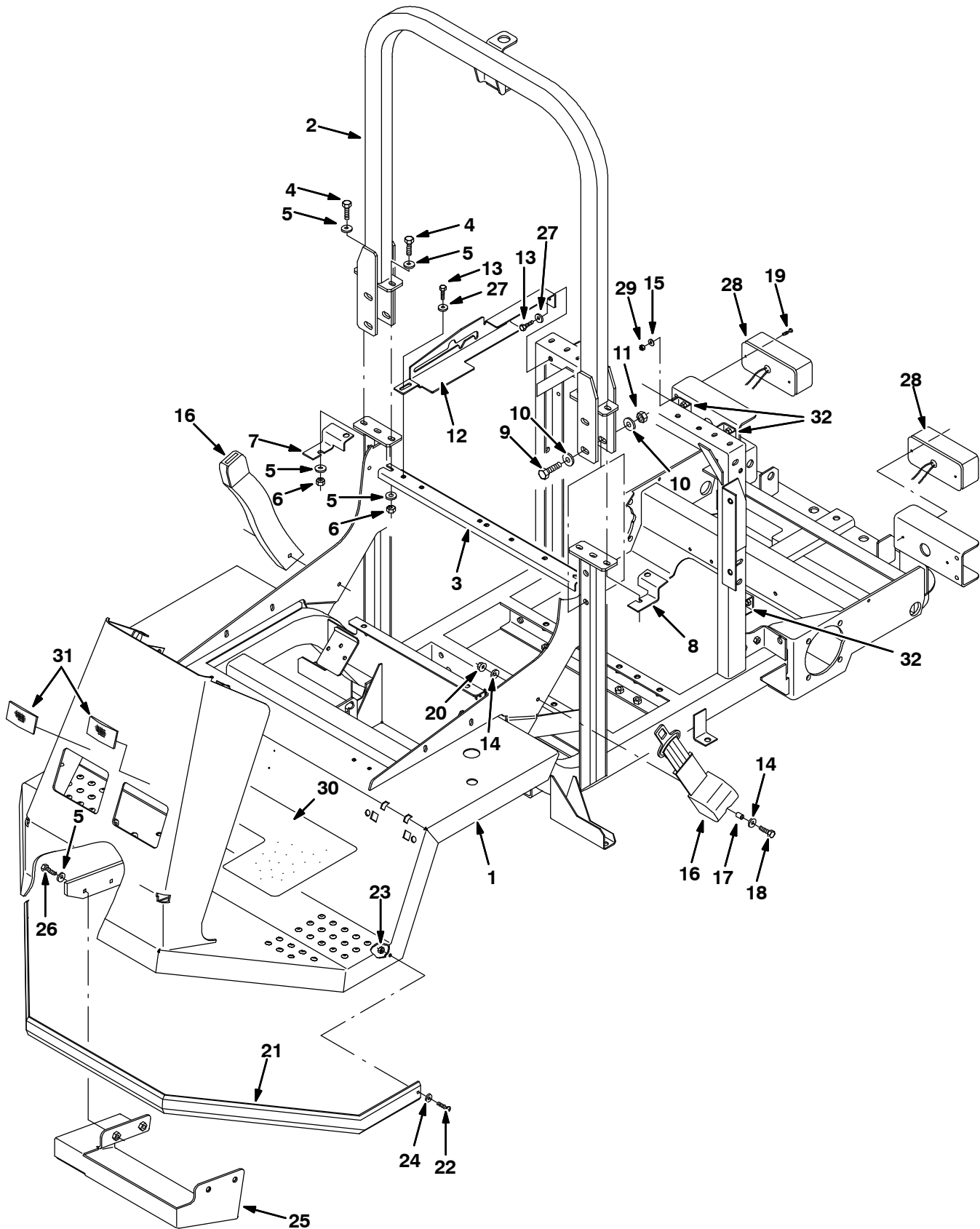


Fig. 2 - Main Frame Group

Ref.	Tennant Part No.	Machine Serial Number	Description	Qty.	
1	367833	(000000-	) Frame Wldt, White	1	
1	367867	(000000-xxxxxx	) Frame Wldt, Blue	1	
1	367882	(000000-xxxxxx	) Frame Wldt, Red	1	
1	367897	(000000-xxxxxx	) Frame Wldt, Purple	1	
1	367912	(000000-xxxxxx	) Frame Wldt, Green	1	
1	367927	(000000-xxxxxx	) Frame Wldt, Yellow	1	
2	367834	(000000-	) Tube Wldt, Rop White	1	
2	367868	(000000-xxxxxx	) Tube Wldt, Rop Blue	1	
2	367883	(000000-xxxxxx	) Tube Wldt, Rop Red	1	
2	367898	(000000-xxxxxx	) Tube Wldt, Rop Purple	1	
2	367913	(000000-xxxxxx	) Tube Wldt, Rop Green	1	
2	367928	(000000-xxxxxx	) Tube Wldt, Rop Yellow	1	
3	367225	(000000-	) Channel, Support, Enginecover	1	
4	77347	(000000-	) Screw, Hex, M10-1.5 X 35, Ss	4	
5	01686	(000000-	) Washer, Flat, .38 Ss	12	
6	08714	(000000-	) Nut, Hex, Lock, M10-1.5, NI	4	
7	367394	(000000-	) Brkt, Mtg, Side Panel, Rh	1	
8	367395	(000000-	) Brkt, Mtg, Side Panel, Lh	1	
9	367523	(000000-	) Scr-Hex M12X1.75 80 10.9 Plt	4	
10	32493	(000000-	) Washer, Flat, .50 Hard	8	
11	08711	(000000-	) Nut, Hex, Lock, M12-1.75,NI	4	
12	367866	(000000-	) Bracket, Angle W/Label	1	
13	09740	(000000-	) Screw, Hex Ss M8x1.25 20	2	
14	32491	(000000-	) Washer, Flat, .31 Hard	4	
15	19324	(000000-	) Washer, Flat, #10 Sae	4	
16	367382	(000000-	) Seatbelt	1	
17	50821	(000000-	) Sleeve	2	
18	06955	(000000-	) Screw, Hex, M08-1.25 X 35, 8.8	2	
19	54093	(000000-	) Screw, Flat, M05-0.8 X 60, 4.8	4	
20	07791	(000000-	) Nut, Hex, Flange, M08-1.25	2	
21	368266	(000000-	) Bumper, Adhesive Back	1	
22	1019526	(000000-	) Screw, Pan, M6 X 1.0 X 25, Ss	2	
23	07785	(000000-	) Nut, Hex, Std, M06-1.0 , Ss	2	
24	01684	(000000-	) Washer, Flat, .25 Ss	2	
25	368135	(000000-	) Plate, Skid	1	
26	77347	(000000-	) Screw, Hex, M10-1.5 X 35, Ss	4	
27	01685	(000000-	) Washer, Flat, .31 Ss	2	
▽	28	84030	(000000-002940 ) Taillight (Replaced by 9004540)	2	
▲		45780	(000000-002490 ) Lamp	1	
▽	28	1033578	(002491-	) Taillight, 12Vdc, 6.3 X 2.5	2
▲		45780	(002491-	) Lamp	1
	29	06549	(000000-	) Nut, Hex, Lock, M05-0.8, NI	4
	30	367986	(000000-	) Tread, floor 11.0 X 16.0	1
	31	368175	(000000-	) Reflector, Amber	2
	32	367578	(000000-	) Bracket, Panl, Eng, Rear (Part of Frame Weldment)	5

Fig. 3 - Left Side Covers Group

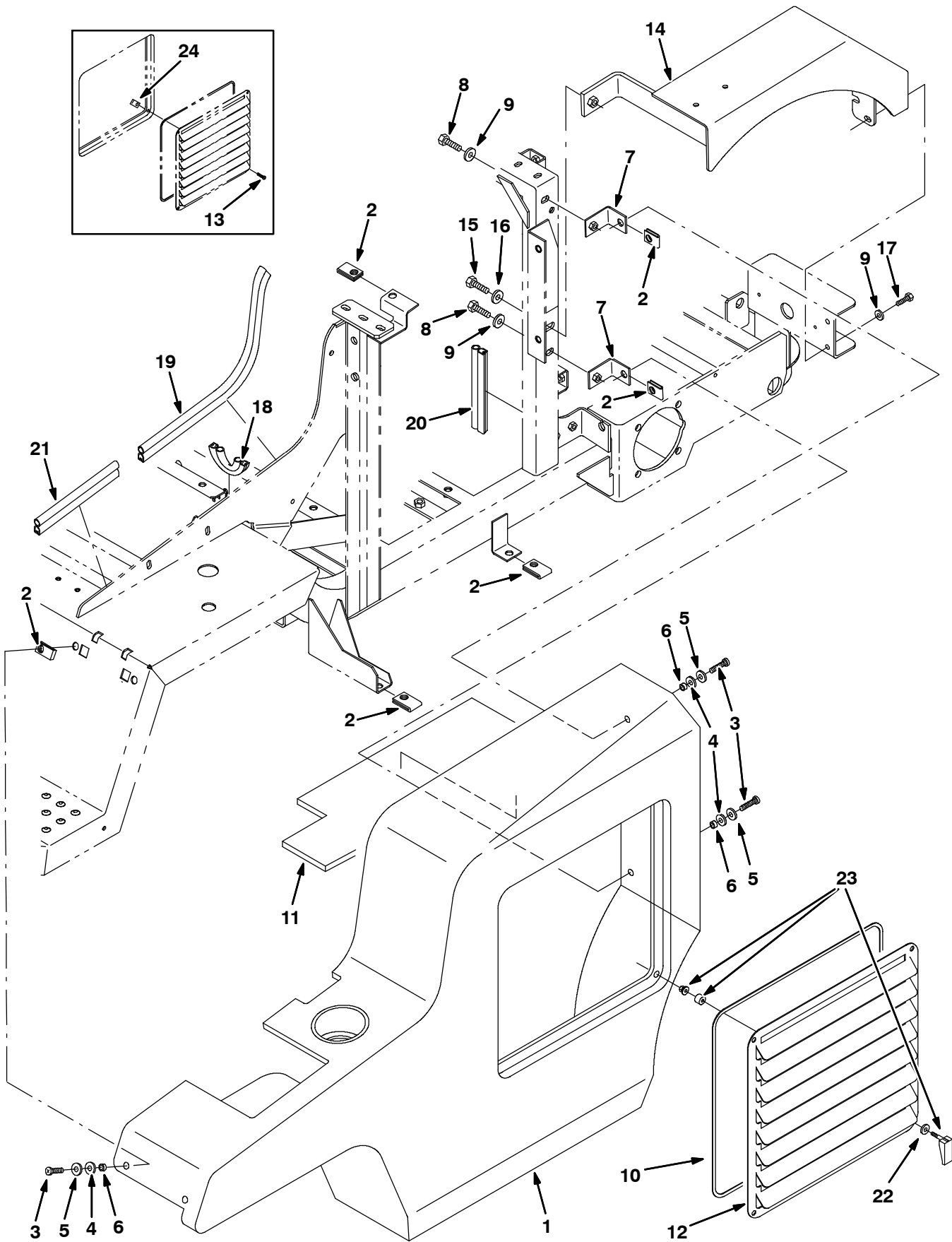


Fig. 3 - Left Side Covers Group

Ref.	Tennant Part No.	Machine Serial Number	Description	Qty.
1	367844	(000000-003016 )	Panel, Side, Left White	1
1	1048315	(003017-	Panel, Side, Lh, Abs	1
1	367878	(000000-xxxxxx )	Panel, Side, Left Blue	1
1	367893	(000000-xxxxxx )	Panel, Side, Left Red	1
1	367908	(000000-xxxxxx )	Panel, Side Left Purple	1
1	367923	(000000-xxxxxx )	Panel, Side, Left Green	1
1	367938	(000000-xxxxxx )	Panel, Side, Left Yellow	1
2	58595	(000000-	Nut, U, M08-1.25	7
3	17288	(000000-	Screw, Butn, M08-1.25X 35,10.9	7
4	46147	(000000-	Washer	7
5	01685	(000000-	Washer, Flat, .31 Ss	7
6	360801	(000000-	Sleeve	7
7	367359	(000000-	Bracket, Mtg, Side, Rear	2
8	16931	(000000-	Screw, Hex M08-1.25X20	2
9	32491	(000000-	Washer, Flat, .31 Hard	4
10	367812	(000000-002797 )	Seal, Foam Rubber .12X .375 X	1
10	1021966	(002798-	Seal, Foam, 0.06 0.25W 76.0L, Adh	1
11	367595	(000000-	Insulation, Foam	1
12	367845	(000000-	Panel, Louver White	1
12	367879	(000000-xxxxxx )	Panel, Louver Blue	1
12	367894	(000000-xxxxxx )	Panel, Louver Red	1
12	367909	(000000-xxxxxx )	Panel, Louver Purple	1
12	367924	(000000-xxxxxx )	Panel, Louver Green	1
12	367939	(000000-xxxxxx )	Panel, Louver Yellow	1
13	09196	(000000-002797 )	Screw, Pan, M08-1.25X 25, 4.8	4
14	367836	(000000-	Fender Wldt, Lh White	1
14	367870	(000000-xxxxxx )	Fender Wldt, Lh Blue	1
14	367885	(000000-xxxxxx )	Fender Wldt, Lh Red	1
14	367900	(000000-xxxxxx )	Fender Wldt, Lh Purple	1
14	367915	(000000-xxxxxx )	Fender Wldt, Lh Green	1
14	367930	(000000-xxxxxx )	Fender Wldt, Lh Yellow	1
15	03192	(000000-	Screw, Hex M10-1.5X 30	1
16	32492	(000000-	Washer, Flat, .38 Hard	1
17	39277	(000000-	Screw, Hex, M08-1.25 X 25, 8.8	2
18	62595-18	(000000-	Molding, Trim 3.0 Lg	1
19	364608	(000000-	Seal, Bulb, 17.58 Lg	1
20	62595	(000000-	Molding, Trim 7.0 Lg	1
21	367573	(000000-	Seal, Bulb, 7.5 Lg	1
22	01684	(002798-	Washer, Flat, 0.27B 0.69D .05, Ss	4
23	768451	(002798-	Latch, Cover, Access	4
24	58595	(000000-002797 )	Nut, U, M08-1.25	4

Fig. 4 - Right Side Covers Group

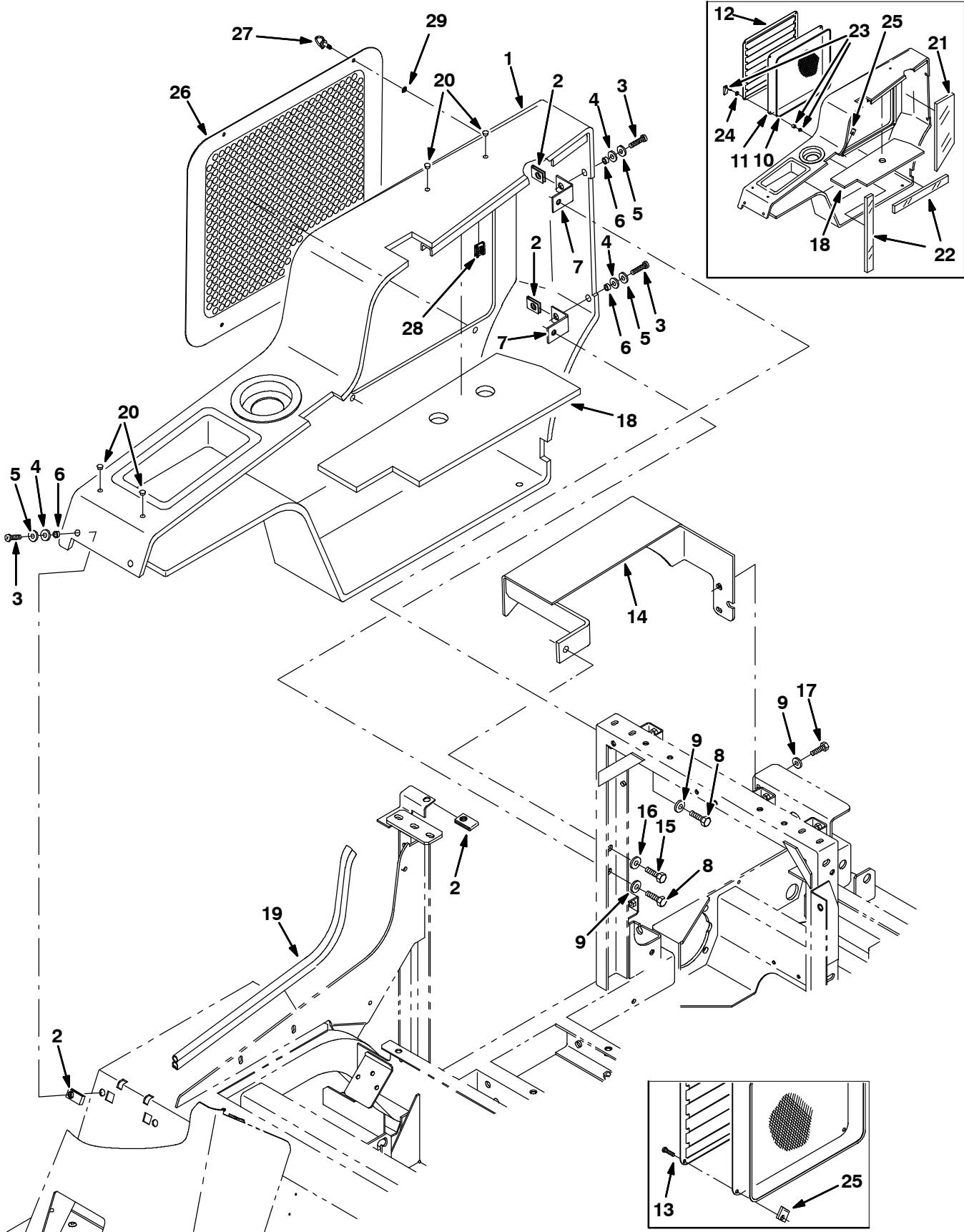


Fig. 4 - Right Side Covers Group

Ref.	Tennant Part No.	Machine Serial Number	Description	Qty.
1	1047140	(003017-	) Panel, Side, Rh, Abs, Trimmed	1
1	367843	(000000-003016	) Panel, Side, Right White	1
1	367877	(000000-xxxxxx	) Panel, Side, Right Blue	1
1	367892	(000000-xxxxxx	) Panel, Side, Right Red	1
1	367907	(000000-xxxxxx	) Panel, Side, Right Purple	1
1	367922	(000000-xxxxxx	) Panel, Side, Right Green	1
1	367937	(000000-xxxxxx	) Panel, Side, Right Yellow	1
2	58595	(000000-	) Nut, U, M08-1.25	3
3	17288	(000000-	) Screw, Butn, M08-1.25X 35,10.9	7
4	46147	(000000-	) Washer	7
5	01685	(000000-	) Washer, Flat, .31 Ss	7
6	360801	(000000-	) Sleeve	7
7	367359	(000000-	) Bracket, Mtg, Side, Rear	2
8	16931	(000000-	) Screw, Hex M08-1.25X20	2
9	32491	(000000-	) Washer, Flat, .31 Hard	4
10	367812	(000000-002797	) Seal, Foam Rubber .12X .375 X	1
10	1021966	(002798-003016	) Seal, Foam, 0.06 0.25W 76.0L, Adh	1
11	367581	(000000-003016	) Screen, Radiator	1
12	367845	(000000-003016	) Panel, Louver White	1
12	367879	(000000-xxxxxx	) Panel, Louver Blue	1
12	367894	(000000-xxxxxx	) Panel, Louver Red	1
12	367909	(000000-xxxxxx	) Panel, Louver Purple	1
12	367924	(000000-xxxxxx	) Panel, Louver Green	1
12	367939	(000000-xxxxxx	) Panel, Louver Yellow	1
13	09196	(000000-002797	) Screw, Pan, M08-1.25X 25, 4.8	4
14	367835	(000000-	) Fender Wldt, Rh White	1
14	367869	(000000-xxxxxx	) Fender Wldt, Rh Blue	1
14	367884	(000000-xxxxxx	) Fender Wldt, Rh Red	1
14	367899	(000000-xxxxxx	) Fender Wldt, Rh Purple	1
14	367914	(000000-xxxxxx	) Fender Wldt, Rh Green	1
14	367929	(000000-xxxxxx	) Fender Wldt, Rh Yellow	1
15	03192	(000000-	) Screw, Hex M10-1.5X 30	1
16	32492	(000000-	) Washer, Flat, .38 Hard	1
17	39277	(000000-	) Screw, Hex, M08-1.25 X 25, 8.8	2
18	368235	(000000-003016	) Foam, Acoustic, Side Cover, Rh	1
18	1054542	(003017-	) Insulation, Acstc, 1.0, 22.4 X 09.5 C-O	1
19	73901	(000000-	) Seal, Bulb, 33.0 Lg	1
20	01314	(000000-	) Plug button, Black nyl.	4
20	33806	(000000-	) Plug button, White nyl.	4
21	368231	(001254-003016	) Insulation, Acstc, 0.8th, 05.5w X 18.5l	1
22	368233	(001254-003016	) Insulation, Acstc	2
23	768451	(002798-003016	) Latch, Cover, Access	4
24	01684	(002798-003016	) Washer, Flat, 0.27B 0.69D .05, Ss	4
25	58595	(000000-002797	) Nut, U, M08-1.25	4
26	1049333	(003017-	) Panel Wldt, White [ALTV]	1
27	1049173	(003017-	) Screw, Thumb, .25D X 0.83	4
28	1049174	(003017-	) Retainer, Screw, Thumb	4
29	1049175	(003017-	) Retainer, Screw, Thumb	4

Fig. 5 - Engine Cover Group

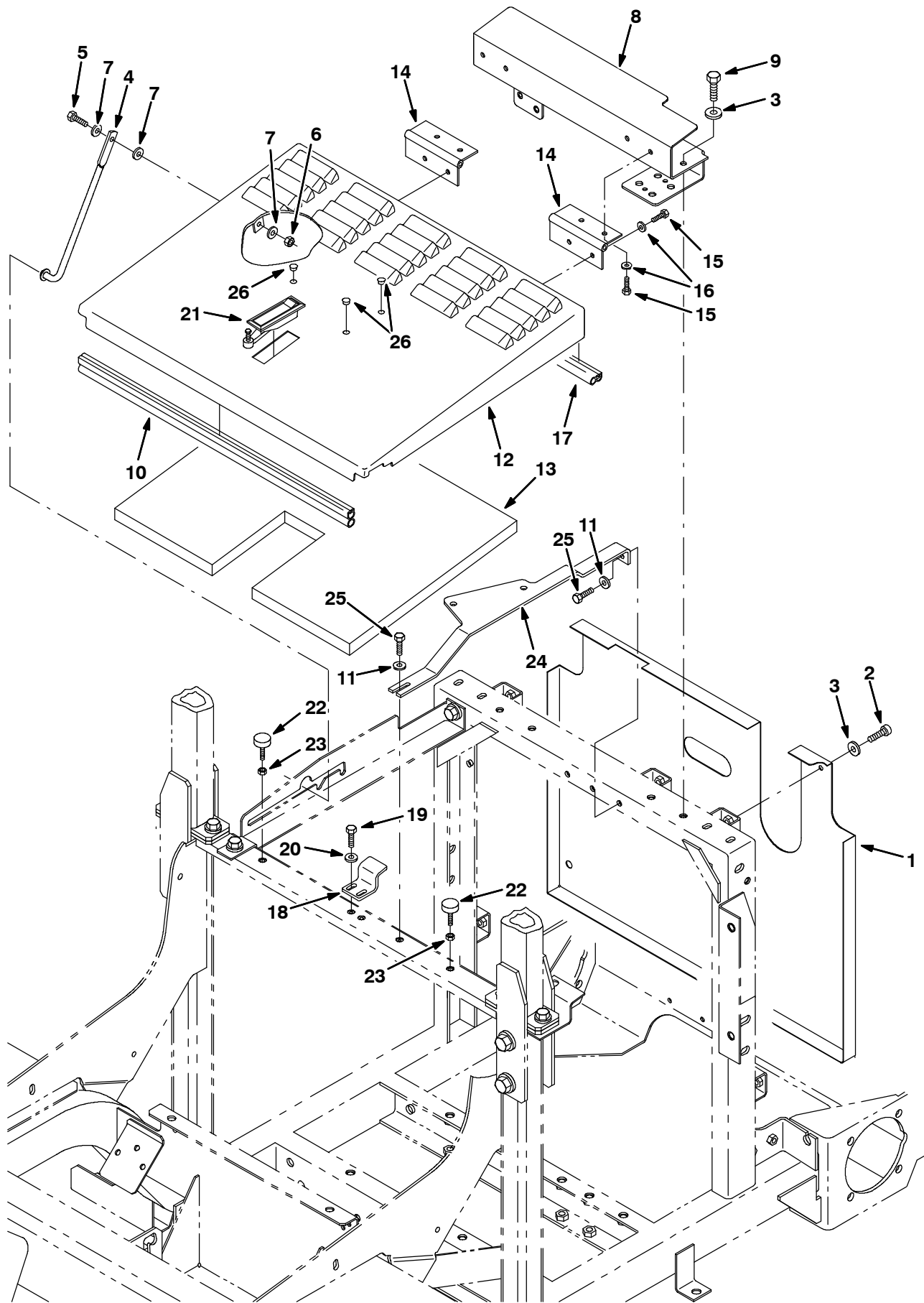




Fig. 5 - Engine Cover Group

Ref.	Tennant Part No.	Machine Serial Number	Description	Qty.
1	367183	(000000-	) Panel, Engine, Rear	1
2	76099	(000000-	) Screw, Pan, M08-1.25X 25	5
3	32491	(000000-	) Washer, Flat, .31 Hard	9
4	367423	(000000-	) Rod Wldt, Engine Cover	1
5	06946	(000000-	) Screw, Hex, M06-1.0 X 35, 8.8	1
6	08708	(000000-	) Nut, Hex, Lock, M06-1.0, NI	1
7	32490	(000000-	) Washer, Flat, .25 Hard	3
8	367847	(000000-	) Bracket Assy, Engine Cover Whi	1
8	367881	(000000-xxxxxx	) Bracket Assy, Engine Cover Blu	1
8	367896	(000000-xxxxxx	) Bracket Assy, Engine Cover Red	1
8	367911	(000000-xxxxxx	) Bracket Assy, Engine Cover Pur	1
8	367926	(000000-xxxxxx	) Bracket Assy, Engine Cover Gre	1
8	367941	(000000-xxxxxx	) Bracket Assy, Engine Cover Yel	1
9	39277	(000000-	) Screw, Hex, M08-1.25 X 25, 8.8	4
10	367584	(000000-	) Seal, Bulb, Sd-168, 23.00 Lg	1
11	32490	(000000-	) Washer, Flat, .25 Hard	2
12	367846	(000000-	) Panel Wldt, Engine Cover White	1
12	367880	(000000-xxxxxx	) Panel Wldt, Engine Cover Blue	1
12	367895	(000000-xxxxxx	) Panel Wldt, Engine Cover Red	1
12	367910	(000000-xxxxxx	) Panel Wldt, Engine Cover Purpl	1
12	367925	(000000-xxxxxx	) Panel Wldt, Engine Cover Green	1
12	367940	(000000-xxxxxx	) Panel Wldt, Engine Cover Yello	1
13	367800	(000000-	) Insulation, Acoustic	1
14	367562	(000000-	) Hinge, Seat Support	2
15	11635	(000000-	) Screw, Hex, M06-1.0 X 12, Ss	8
16	01684	(000000-	) Washer, Flat, .25 Ss	8
17	368532	(000000-	) Seal, Bulb, 90, 0.50D .06-.09Grip 24L	1
18	367580	(000000-	) Bracket, Keeper	1
19	06942	(000000-	) Screw, Hex, M06-1.0 X 16, 8.8	2
20	19066	(000000-	) Washer, Flat, #10	2
21	64533	(000000-	) Latch, Trigger	1
22	20802	(000000-	) Bumper, Rubber	2
23	19312	(000000-	) Nut, Hex, Std, .25-20	2
24	1047317	(000000-	) Brace, Sppt [ATLV]	1
25	06944	(000000-	) Screw, Hex, M06-1.0 X 25, 8.8	2
26	01314	(000000-	) Plug Button, Black nyl	3
26	33806	(000000-	) Plug Button, White nyl	3

Fig. 6 - Seat Support Group

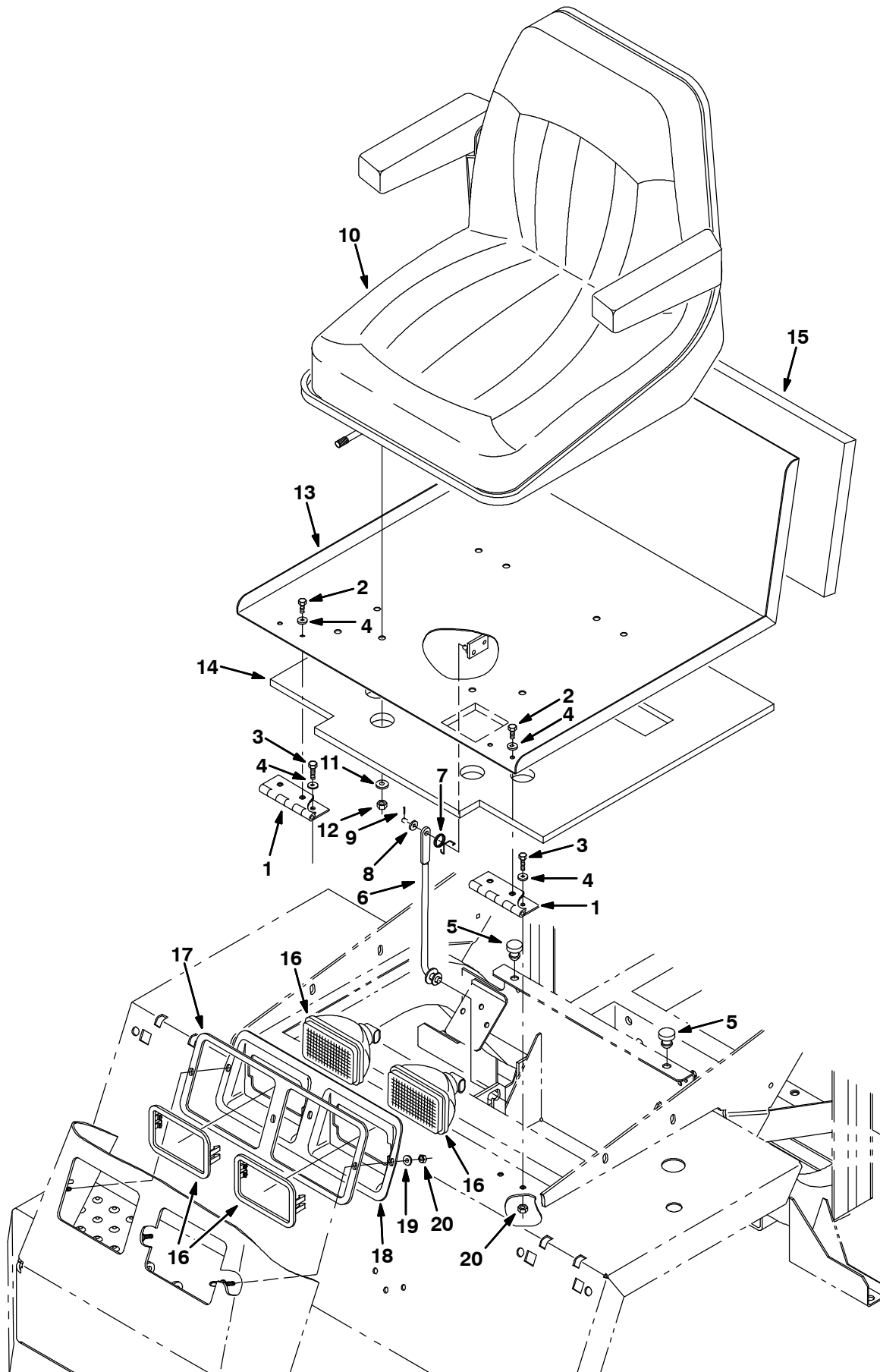


Fig. 6 - Seat Support Group

Ref.	Tennant Part No.	Machine Serial Number	Description	Qty.	
1	367562	(000000-	) Hinge, Seat Support	2	
2	11635	(000000-	) Screw, Hex, M06-1.0 X 12, Ss	4	
3	06942	(000000-	) Screw, Hex, M06-1.0 X 16, 8.8	4	
4	01684	(000000-	) Washer, Flat, .25 Ss	8	
5	71891	(000000-	) Bumper, Rubber	2	
6	368138	(000000-	) Rod, Prop, Seat	1	
7	59009	(000000-	) Spring, Torsion	1	
8	32483	(000000-	) Washer, Flat, .25 Sae	1	
9	39005	(000000-	) Pin, Cotter	1	
10	367676	(000000-	) Seat, Suspension	1	
11	32491	(000000-	) Washer, Flat, .31 Hard	4	
12	32983	(000000-	) Nut, Hex, Lock, .31-18, NI	4	
13	367840	(000000-	) Plate Wldt, Seat, White	1	
13	367874	(000000-xxxxxx	) Plate Wldt, Seat, Blue	1	
13	367889	(000000-xxxxxx	) Plate Wldt, Seat, Red	1	
13	367904	(000000-xxxxxx	) Plate Wldt, Seat, Purple	1	
13	367919	(000000-xxxxxx	) Plate Wldt, Seat, Green	1	
13	367934	(000000-xxxxxx	) Plate Wldt, Seat, Yellow	1	
14	367798	(000000-	) Insulation, Acoustic	1	
15	367799	(000000-	) Insulation, Acoustic	1	
▽	16	367187	(000000-	) Headlight	2
▲		367673	(000000-	) Bulb, 12V	1
▲		367674	(000000-	) Lens, Clear	1
	17	367513	(000000-	) Seal, Headlight	1
	18	367299	(000000-	) Panel, Headlight Pocket	1
	19	32490	(000000-	) Washer, Flat, .25 Hard	3
	20	08708	(000000-	) Nut, Hex, Lock, M06-1.0, NI	7

Fig. 7 - Instrument Panel Group

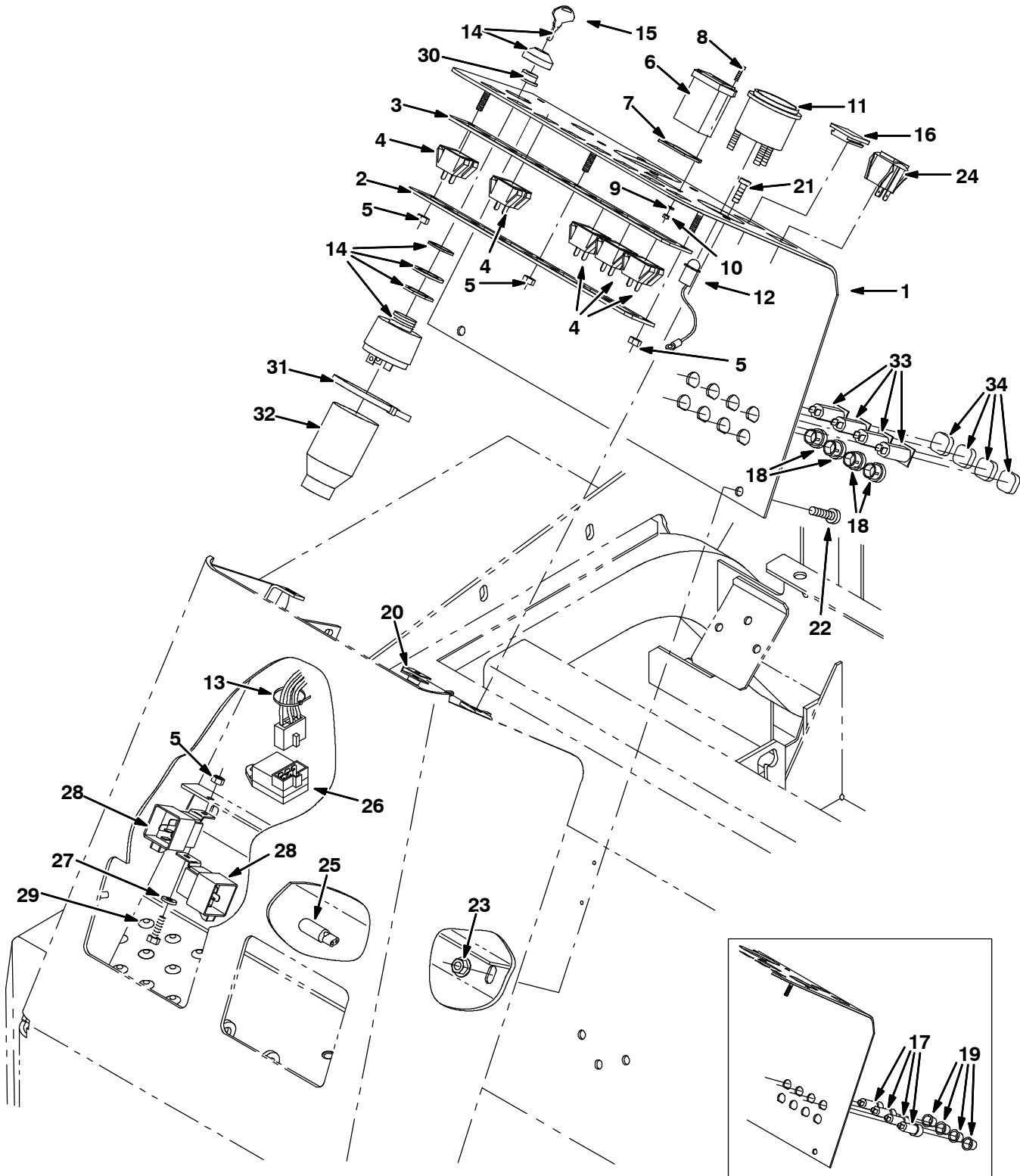


Fig. 7 - Instrument Panel Group

Ref.	Tennant Part No.	Machine Serial Number	Description	Qty.
1	368607	(000000-001824 )	Kit, Ci, Instmt Pnl, [Atlv]	1
1	368602	(001825-	) Panel, Mtg, Instmt, Atlv	1
2	367139	(000000-	) Panel, Indicator Lights	1
3	367293	(000000-	) Seal, Foam	1
4	361075	(000000-	) Lamp, Indicator 12 Volt	5
5	08708	(000000-	) Nut, Hex, Lock, M06-1.0, NI	4
6	377433	(000000-	) Gauge, Hourmeter, 12-60Vdc, analog [10K]	1
7	222683	(000000-	) Gasket	1
8	09146	(000000-	) Screw, Pan, M03-0.5 X 12, 4.8	2
9	39658	(000000-	) Washer, Lock, Int, #04	2
10	01754	(000000-	) Nut, Hex, Std, M03-0.5	2
11	34813	(000000-	) Gauge, Fuel	1
▽	12	60752	(000000-) Light Inst/Clr 12V	1
▲		48570	(000000-) Bulb, 12V	1
▲		55272	(000000-) Terminal	1
13	49266	(000000-	) Tie, Cable 1.75D Max 7.50Lg	1
▽	14	87536	(000000-) Switch Ignition	1
▲	15	87866	(000000-) Key, Switch, Set Of Two	1
16	80277	(000000-001824 )	Plug, Switch, Rocker	2
16	398501	(001825-	) Switch, Rocker, Hole Plug	2
17	57803	(000000-xxxxxx )	Circuitbreaker, 15 A	4
18	57167	(000000-	) Button, Plug	4
19	57751	(000000-xxxxxx )	Boot	4
20	12271	(000000-	) Nut, U, M06-1.0	2
21	32746	(000000-	) Screw, Pan, M06-1.0 X 35, Ss	2
22	367771	(000000-	) Scr Panssm8X1.25 25 See25577	2
23	07791	(000000-	) Nut, Hex, Flange, M08-1.25	2
24	360521	(000000-001824 )	Switch, Rocker, Spdt, 2 Pos	1
24	397889	(001825-	) Switch, Rocker, Dpst	1
25	222290	(000000-	) Diode, Electric Plug	1
26	366026	(000000-	) Timer, Glow Plug	1
27	32490	(000000-	) Washer, Flat, .25 Hard	1
28	56186	(000000-	) Relay, 12V	2
29	06942	(000000-	) Screw, Hex, M06-1.0 X 16, 8.8	1
30	382516	(000000-	) Boot, Switch	1
31	49263	(000000-	) Tie, Cable, Nyl, 11.4l .19w 3.0 Max D	1
32	383165	(000000-	) Boot, Switch, Ignition	1
33	1045858	( xxxxxx-	) Circuitbreaker, 15 A, Resetable	4
34	1046173	( xxxxxx-	) Boot, Circuitbreaker	4

**Fig. 8 - Steering Group**

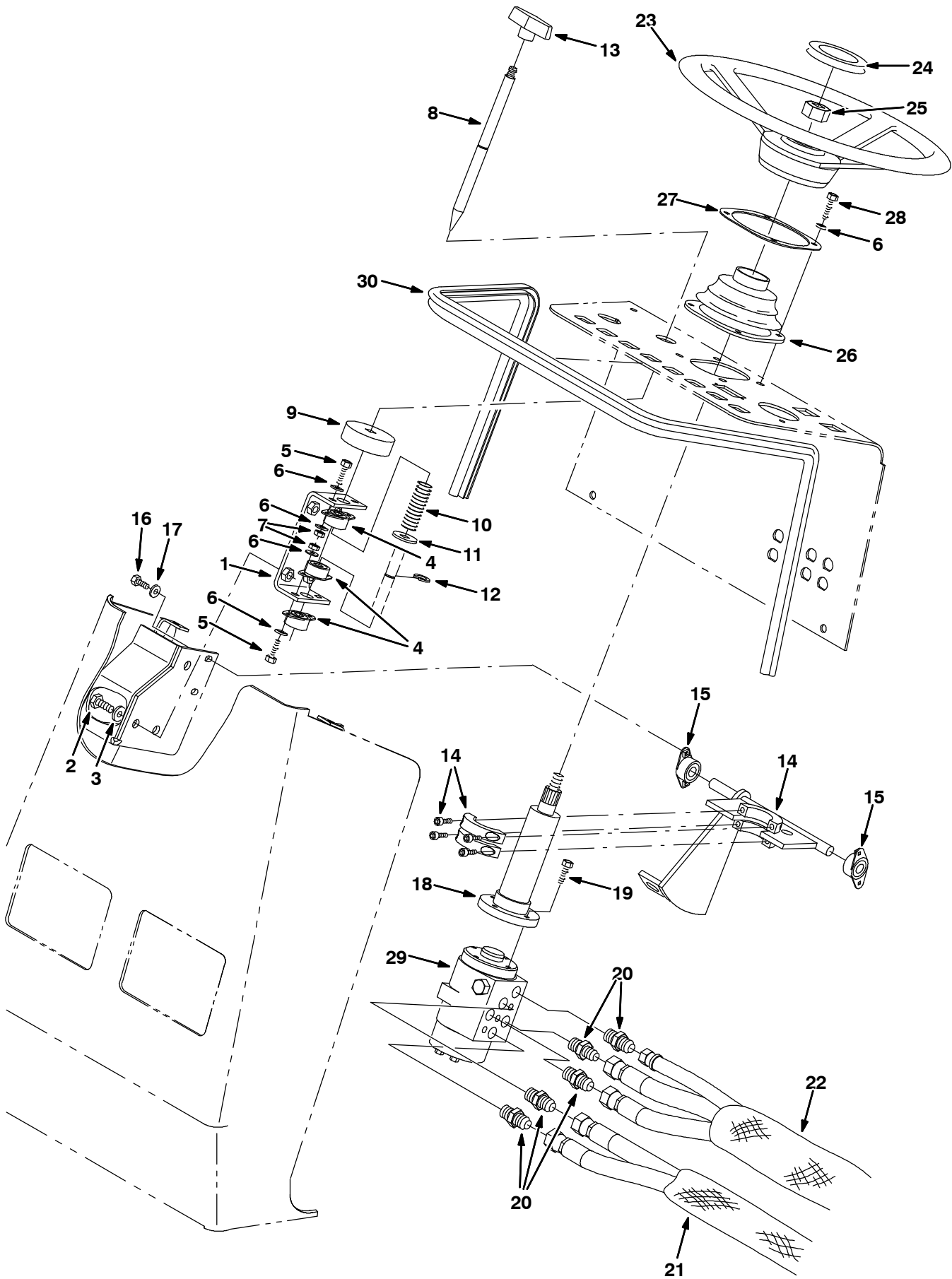


Fig. 8 - Steering Group

Ref.	Tennant Part No.	Machine Serial Number	Description	Qty.
1	64655	(000000-	) Channel, Mtg, Steering Latch	1
2	16931	(000000-	) Screw, Hex, M08-1.25 X 20, 8.8	3
3	32491	(000000-	) Washer, Flat, .31 Hard	3
4	47585	(000000-	) Bearing, Flange	3
5	06943	(000000-	) Screw, Hex, M06-1.0 X 20, 8.8	4
6	19066	(000000-	) Washer, Flat, #10	12
7	08708	(000000-	) Nut, Hex, Lock, M06-1.0, NI	4
8	360711	(000000-	) Rod	1
9	75968	(000000-	) Seal, Bearing	1
10	22290	(000000-	) Spring, Compression	1
11	32486	(000000-	) Washer, Flat, .50 Sae	1
12	70717	(000000-	) Ring, Retaining	1
13	04706	(000000-	) Handle	1
14	368588	(000000-	) Bracket, Wldt, Steering Tilt, [Atlv]	1
15	70709	(000000-	) Bearing, Flange	2
16	11329	(000000-	) Screw, Hex, M06-1.0 X 16, Ss	4
17	01684	(000000-	) Washer, Flat, .25 Ss	4
18	367108	(000000-	) Column, Steering #2 8Lg 0Wire	1
19	06942	(000000-	) Screw, Hex, M06-1.0 X 16, 8.8	4
20	55685	(000000-	) Fitting, Hyd, Str	5
21	82833	(000000-	) Sleeve	1
22	82831	(000000-	) Sleeve	1
23	1058996	(000000-	) Wheel, Steering, 14.0D 0.81B 36Tooth	1
24	768482	(000000-	) Cover, Steering Wheel	1
25	56185	(000000-	) Nut, Hex, Jam, M20 X 1.5 X 4	1
26	70622	(000000-	) Seal, Boot, Steering Column	1
27	360867	(000000-	) Plate, Mtg	1
28	367770	(000000-	) Scr Panssm 6X1.0 16	4
29	367128	(000000-	) Steer Control, Hyd (See Breakdowns)	1
30	367677	(000000-	) Seal, Bubble Duro Gasket	1

Fig. 9 - Engine Mount Group

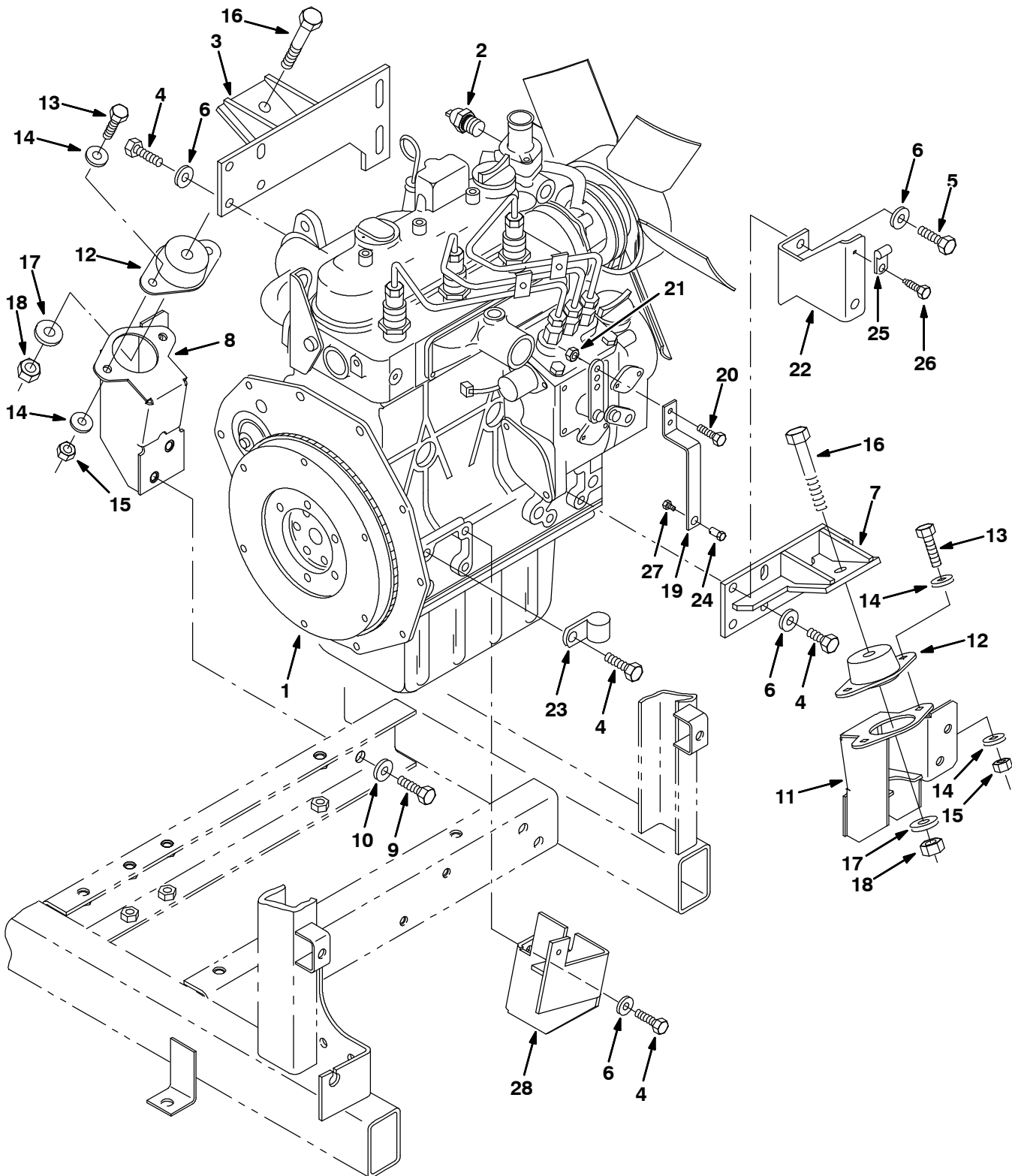




Fig. 9 - Engine Mount Group

Ref.	Tennant Part No.	Machine Serial Number	Description	Qty.
1	367017	(000000-002967 )	Engine, Diesel, Kubota (See Engine Breakdown)	1
1	1040369	(002968-	Engine Aassy, Dsl, 22.5Hp[Ku 2008] (See Engine Breakdown)	1
2	9005789	(000000-002978 )	Switch Kit, Replmt, Thermostat, Eng	1
2	1050757	(002979-	Switch, Thermostat, Water	1
3	367065	(000000-	Plate, Diesel, Lh	1
4	58286	(000000-	Screw-Hex M10X1.25 20 8.8 Pltd	10
5	07299	(000000-	Screw, Hex, M10-1.25 X 25, 8.8	2
6	32492	(000000-	Washer, Flat, .38 Hard	10
7	367066	(000000-	Plate, Diesel, Rh	1
8	367072	(000000-	Bracket Mtg, Wldt, Diesel, Lh	1
9	39283	(000000-	Screw, Hex, M10-1.5 X 25, 8.8	4
10	32492	(000000-	Washer, Flat, .38 Hard	4
11	367074	(000000-	Bracket, Wldt, Diesel, Rh	1
12	360721	(000000-	Isolator	2
13	39277	(000000-	Screw, Hex, M08-1.25 X 25, 8.8	4
14	32491	(000000-	Washer, Flat, .31 Hard	8
15	08709	(000000-	Nut, Hex, Lock, M08-1.25,NI	4
16	06972	(000000-	Screw, Hex, M12-1.75 X 60, 8.8	2
17	32486	(000000-	Washer, Flat, .50 Sae	2
18	08711	(000000-	Nut, Hex, Lock, M12-1.75,NI	2
19	360813	(000000-	Plate	1
20	06942	(000000-	Screw, Hex, M06-1.0 X 16, 8.8	2
21	07790	(000000-	Nut, Hex, Flange, M06-1.0	2
22	360814	(000000-	Bracket, Cable Mount	1
23	69234	(000000-	Clamp, Cable	1
24	43242	(000000-	Swivel	1
25	1043352	(000000-	Clamp, Cable, Stl, 0.18D X 0.75W, 1Hole	1
26	74455	(000000-	Screw, Hex, Fmg, M06-1.0 X 12	1
27	49766	(000000-	Screw, Hex, #08-32 X 0.38, Ss	1
28	<del>368544</del>	(000000-	<del>Bracket, Cable Mtg</del>	1
	<b>368577</b>		<b>Bracket Wldt, Linkage, Propel</b>	

Fig. 10 - Flywheel Housing Group

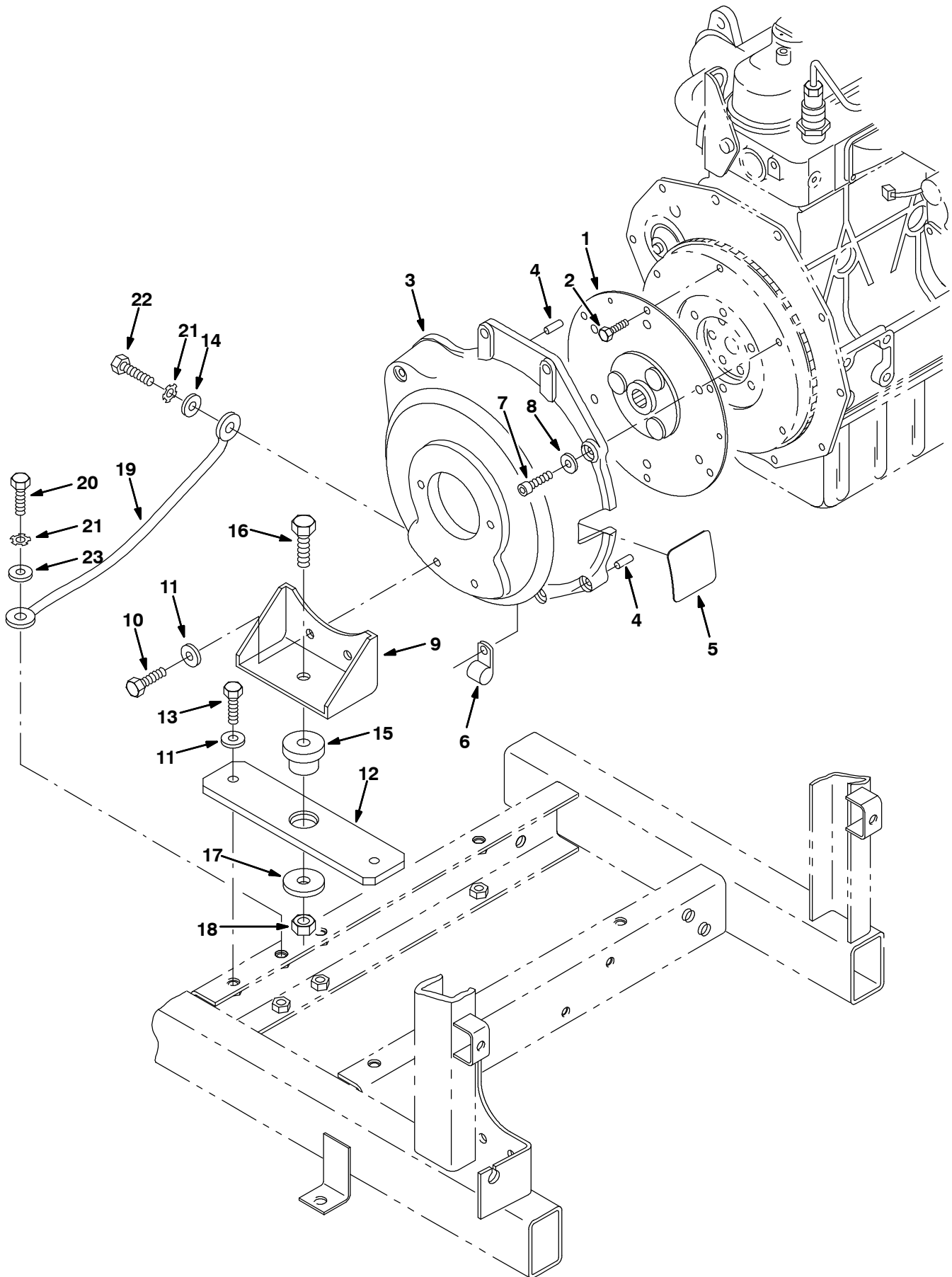


Fig. 10 - Flywheel Housing Group

Ref.	Tenant Part No.	Machine Serial Number	Description	Qty.
1	19252	(000000-	) Coupling, Flywheel	1
2	50388	(000000-	) Screw, Hex, M08-1.25 X 12, 8.8	6
▽ 3	360471	(000000-	) Housing, Flywheel	1
▲ 4	14296	(000000-	) Pin, Roll	2
5	360959	(000000-	) Seal, Flywheel	1
6	82829	(000000-	) Clamp, Hose	1
7	41445	(000000-	) Screw, Soc, M08-1.25 X 35, Al	4
8	39349	(000000-	) Washer, Flat, .31 Sae	4
9	367067	(000000-	) Engine Mtg, Rear, Diesel	1
10	21195	(000000-	) Screw, Hex, .38-16 X 0.75, G5	2
11	32492	(000000-	) Washer, Flat, .38 Hard	4
12	367411	(000000-	) Bar, Engine Mtg	1
13	03192	(000000-	) Screw, Hex, M10-1.5 X 30, 8.8	2
14	32485	(000000-	) Washer, Flat, .38 Sae	2
15	51176	(000000-	) Dampener, Engine	1
16	06971	(000000-	) Screw, Hex, M12-1.75 X 50, 8.8	1
17	51564	(000000-	) Washer	1
18	08711	(000000-	) Nut, Hex, Lock, M12-1.75,NI	1
19	63736	(000000-	) Cable, Battery	1
20	58286	(000000-	) Screw-Hex M10X1.25 20 8.8 Pltd	1
21	41142	(000000-	) Washer, Lock, Int-Ext, .38	2
22	06961	(000000-	) Screw, Hex, M10-1.5 X 20, 8.8	1

Fig. 11 - Throttle Group

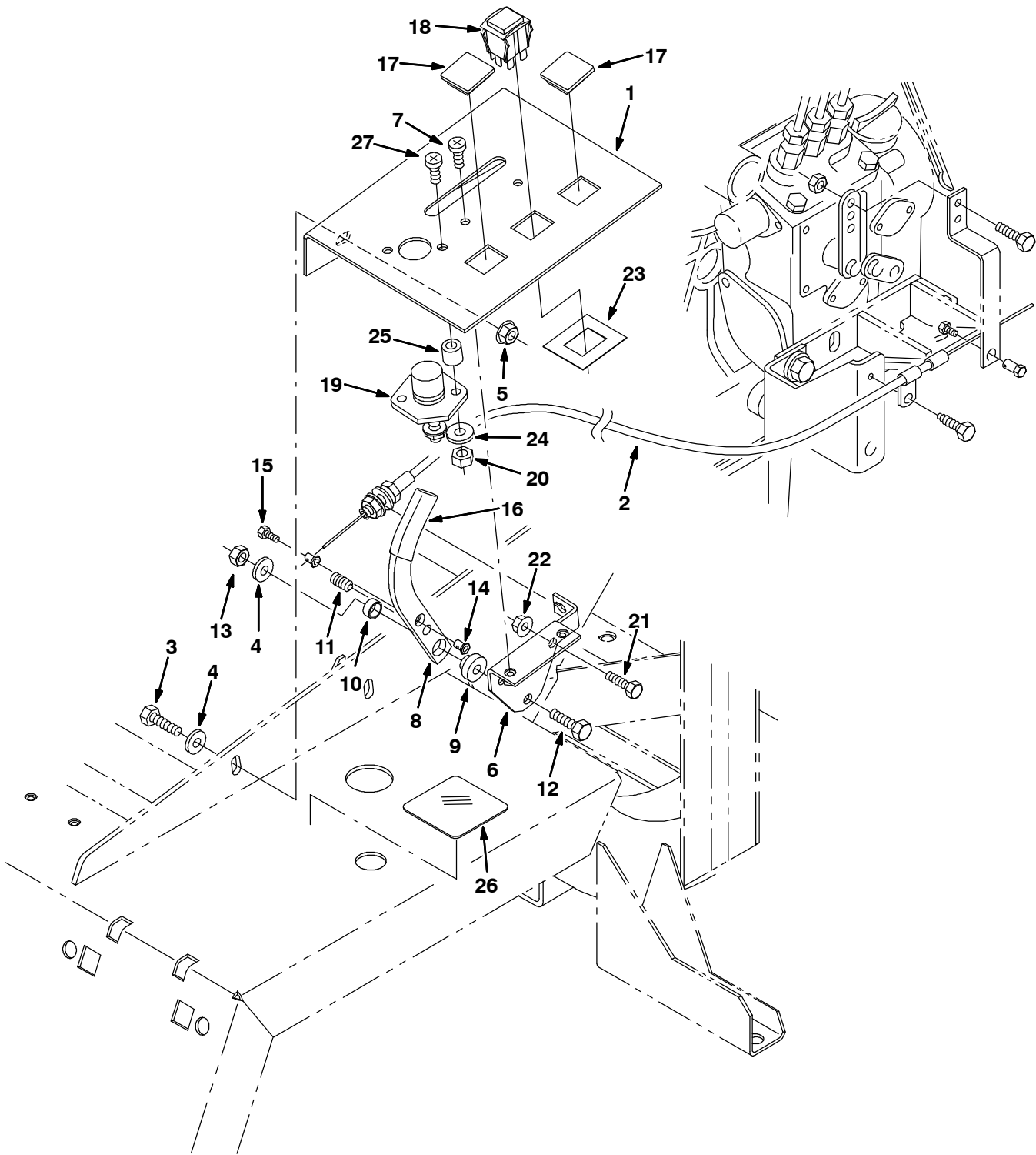


Fig. 11 - Throttle Group

Ref.	Tennant Part No.	Machine Serial Number	Description	Qty.
1	367842	(000000-	) Bracket, Throttle Mtg White	1
1	367876	(000000-xxxxxx	) Bracket, Throttle Mtg Blue	1
1	367891	(000000-xxxxxx	) Bracket, Throttle Mtg Red	1
1	367906	(000000-xxxxxx	) Bracket, Throttle Mtg Purple	1
1	367921	(000000-xxxxxx	) Bracket, Throttle Mtg Green	1
1	367936	(000000-xxxxxx	) Bracket, Throttle Mtg Yellow	1
2	367383	(000000-	) Throttle Assy	1
3	39277	(000000-	) Screw, Hex, M08-1.25 X 25, 8.8	2
4	32491	(000000-	) Washer, Flat, .31 Hard	3
5	07791	(000000-	) Nut, Hex, Flange, M08-1.25	2
6	367448	(000000-	) Bracket, Cable Mount	1
7	09164	(000000-	) Screw, Pan, M06-1.0 X 20	2
8	368204	(000000-	) Handle, Throttle	1
9	367451	(000000-	) Spacer, Lever, Throttle	1
10	367452	(000000-	) Bearing Sleeve .50B .59D .25L	1
11	69659	(000000-	) Plunger, Spring	1
12	06955	(000000-	) Screw, Hex, M08-1.25 X 35, 8.8	1
13	08709	(000000-	) Nut, Hex, Lock, M08-1.25,NI	1
14	43242	(000000-	) Swivel	1
15	49766	(000000-	) Screw, Hex, #08-32 X 0.38, Ss	1
16	360467	(000000-	) Grip, Vinyl	1
17	80277	(000000-	) Plug, Switch, Rocker	2
18	360520	(000000-	) Switch, Rocker, Spdt, 3Pos	1
19	44078	(000000-	) Switch, Pushmom, Spst100A 12V	1
20	08708	(000000-	) Nut, Hex, Lock, M06-1.0, NI	2
21	06943	(000000-	) Screw, Hex, M06-1.0 X 20, 8.8	2
22	07790	(000000-	) Nut, Hex, Flange, M06-1.0	2
23	80326	(000000-	) Plate, Retainer, switch	1
24	19066	(000000-	) Washer, Flat, Hard	2
25	222460	(000000-	) Sleeve, P/M, 0.32B 0.50D 0.5L [430Ss]	2
26	360959	(000000-	) Seal	1
27	32746	(000000-	) Screw, Pan, M6-1.0 x .35, Ss	2

Fig. 12 - Air Cleaner Group (000000-003016)

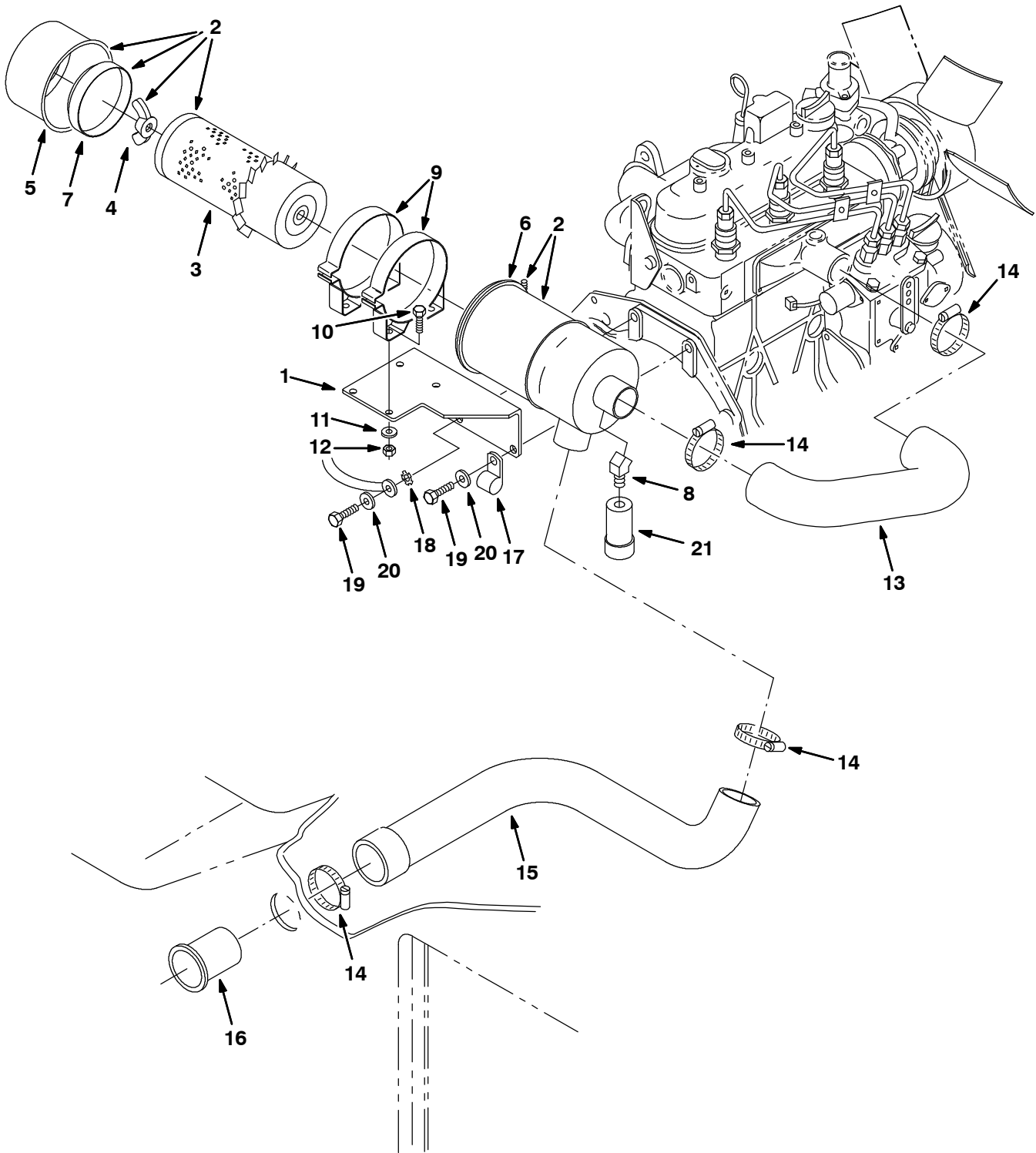


Fig. 12 - Air Cleaner Group (000000-003016)

Ref.	Tennant Part No.	Machine Serial Number	Description	Qty.
	1	367054	(000000-003016 ) Angle	1
▽	2	360707	(000000-003016 ) Cleaner, Air	1
▲	3	361201	(000000-003016 ) Element, Filter, Air	1
▲	4	361323	(000000-003016 ) Nut Assy	1
▲	5	361325	(000000-003016 ) Cup Assy	1
▲	6	361324	(000000-003016 ) Clamp Assy	1
	7	388426	(000000-003016 ) Baffle	1
	8	24976	(000000-003016 ) Fitting, Brass, Elbow	1
	9	360708	(000000-003016 ) Band, Mtg, Air Cleaner	2
	10	16931	(000000-003016 ) Screw, Hex, M08-1.25 X 20, 8.8	4
	11	32491	(000000-003016 ) Washer, Flat, .31 Hard	4
	12	08709	(000000-003016 ) Nut, Hex, Lock, M08-1.25,NI	4
	13	367051	(000000-003016 ) Hose, Intake, Diesel	1
	14	22297	(000000-003016 ) Clamp, Wormdrive	4
	15	367052	(000000-003016 ) Hose, Air Intake	1
	16	58346	(000000-003016 ) Tube - Carb. Air Intake	1
	17	82829	(000000-003016 ) Clamp, Hose	1
	18	41142	(000000-003016 ) Washer, Lock, Int-Ext, .38	1
	19	82572	(000000-003016 ) Screw, Hex, M10-1.25 X 40, 8.8	2
	20	32485	(000000-003016 ) Washer, Flat, .38 Sae	2
	21	03026	(000000-003016 ) Indicator, Air Filter	1

Fig. 13 - Air Cleaner Group (003017- )

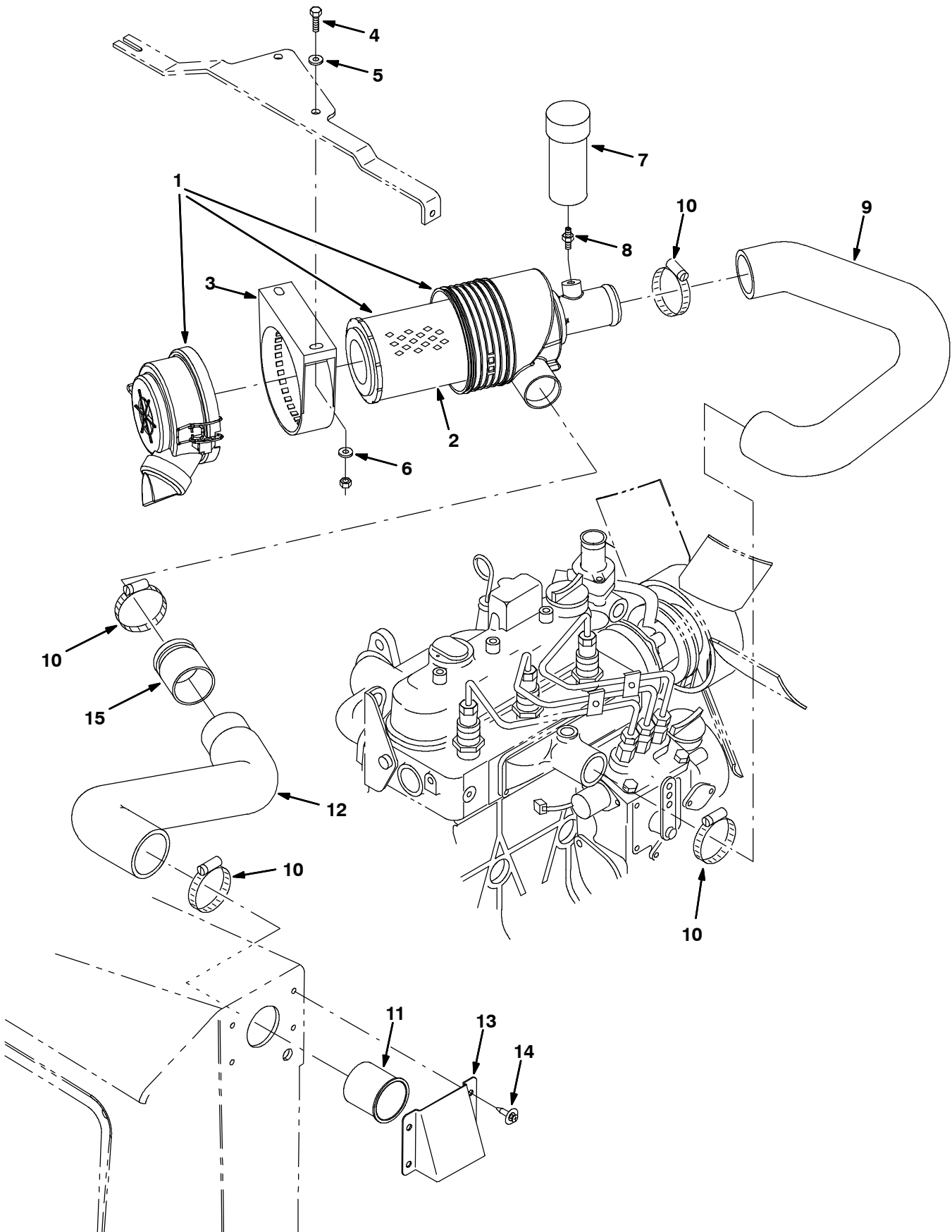




Fig. 13 - Air Cleaner Group (003017- )

	Ref.	Tennant Part No.	Machine Serial Number	Description	Qty.
▽	1	1046302	(003017-	) Filter Assy, Air	1
▲	2	382493	(003017-	) Element, Fltr, Air	1
	3	382101	(003017-	) Bracket, Mtg, Fltr, Air	1
	4	16931	(003017-	) Screw, Hex, M8 X 1.25 X 20, 8.8	2
	5	32491	(003017-	) Washer, Flat, 0.31, Std	4
	6	08709	(003017-	) Nut, Hex, Lock, M8 X 1.25, NI	2
	7	03026	(003017-	) Indicator, Service, Fltr, Air [20h20 Dn]	1
	8	47566	(003017-	) Fitting, Hyd, Str, Pm02/Pm02	1
	9	1048839	(003017-	) Hose, Intake, Dsl	1
	10	22297	(003017-	) Clamp, Hose, Wormdrive, 1.56-2.50d, .50w	4
	11	58346	(003017-	) Tube, Intake, 2.0d 02.0l, Flng	1
	12	364845	(003017-	) Hose, Flex, Vacuum, 02.0d, 038.0l	1
	13	20903	(003017-	) Guard, Intake, Air, Eng	1
	14	72970	(003017-	) Rivet, Plstc, .250d X 0.90	4
	15	1048350	(003017-	) Cuff, 2.0 Id Hose, 1.75id X 2.0d	1

Fig. 14 - Muffler Group

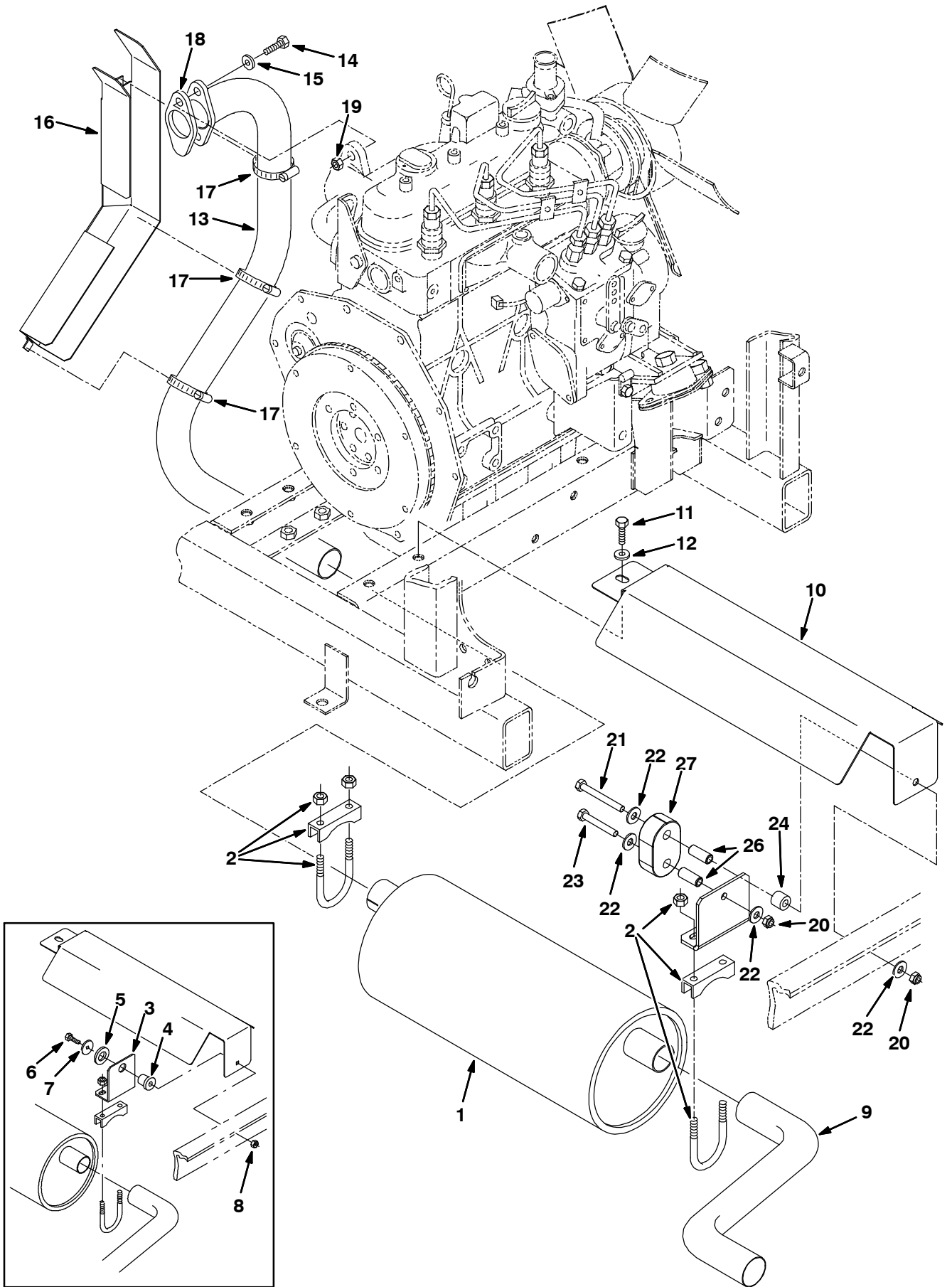


Fig. 14 - Muffler Group

Ref.	Tennant Part No.	Machine Serial Number	Description	Qty.
1	367049	(000000-	) Muffler, Exhaust	1
2	24012	(000000-	) Clamp, Muffler, 1.62d	2
3	367255	(000000-002447	) Angle, Mtg, Stl, .18 3.4 1.7 03.5l (Replaced by 9001059)	1
4	54274	(000000-002447	) Isolator, Vib, Bshg, 1.1d 0.6l .4b 0.78h	1
5	39350	(000000-002447	) Washer, Flat, 0.75 Sae	1
6	41342	(000000-002447	) Screw, Hex, M8 X 1.25 X 40, 8.8	1
7	30013	(000000-002447	) Washer, Flat, 0.31 Fender	1
8	08709	(000000-002447	) Nut, Hex, Lock, M8 X 1.25, NI	1
9	368162	(000000-	) Tailpipe, Muffler	1
10	367263	(000000-	) Plate, Shield, Muffler	1
11	06961	(000000-	) Screw, Hex, M10 X 1.5 X 20, 8.8	1
12	32492	(000000-	) Washer, Flat, 0.38 Std	1
13	367050	(000000-	) Tube Wldt, Exhaust, 1.6d 2h Flng	1
14	33612	(000000-	) Screw, Hex, M10 X 1.25 X 35, 8.8	2
15	32485	(000000-	) Washer, Flat, 0.38 Sae	2
16	368180	(000000-	) Guard, Tailpipe	1
17	11531	(000000-	) Clamp, Hose, Wormdrive, 1.06-2.00d, .56w	3
18	368099	(000000-	) Vr, Gasket, Manifold, Exh[Ku]15313-12370	1
19	66185	(000000-	) Nut, Hex, Std, M10 X 1.25	2
20	08709	(002448-	) Nut, Hex, Lock, M8 X 1.25, NI	2
21	09767	(002448-	) Screw, Hex, M8 X 1.25 X 70, Ss	1
22	32491	(002448-	) Washer, Flat, 0.31 Std	4
23	222504	(002448-	) Screw, Hex, M8 X 1.25 X 55, Ss	1
24	1019403	(002448-	) Spacer, Steel, .38id, .75od, .62lg	1
25	1019255	(002448-	) Bracket, Mtg, Muffler, [Atlv]	1
26	222497	(002448-	) Sleeve, P/M, 0.496d 0.318b 1.25l 430ss	2
27	1013031	(002448-	) Isolator, Rubber	1



Fig. 15 - Fuel Tank Group

	Ref.	Tennant Part No.	Machine Serial Number	Description	Qty.
▽	1	9003937	( xxxxxx- )	Tank, Fuel, 09.2Gal, Dsl, Replmt [2008]	1
▲▽	2	367813	( xxxxxx- )	Sending Unit	1
▲▲	3	14131	( xxxxxx- )	Gasket	1
▽	1	367047	(000000-xxxxxx )	Tank, Fuel	1
▲▽	2	367813	(000000-xxxxxx )	Sending Unit	1
▲▲	3	14131	(000000-xxxxxx )	Gasket	1
	4	32490	(000000- )	Washer, Flat, .25 Hard	6
	5	32981	(000000- )	Nut, Hex, Lock, .25-20, NI	2
	6	83591	(000000- )	Hose-Fuel, .31Id 16.0L	1
	7	43844	(000000- )	Clamp, Wormdrive	4
	8	367421	(000000- )	Bracket, Fuel Pump Mtg	1
	9	59015	(000000- )	Pump, Fuel	1
	10	40585	(000000- )	Fitting, Brass, Str	2
	11	06942	(000000- )	Screw, Hex, M06-1.0 X 16, 8.8	2
	12	360959	(000000- )	Seal, Flywheel	4
▽	13	1016827	(000000- )	Filter Assy, Fuel, Dsl	1
▲		1017126	(000000- )	Element, Fltr, Fuel [Dn]	1
	14	78043	(000000- )	Fitting, Brass, Str	1
	15	06943	(000000- )	Screw, Hex, M06-1.0 X 20, 8.8	2
	16	15555-2	(000000- )	Fitting, Brass, Elbow	1
	17	70173	(000000- )	Hose, Fuel	1
	18	367577	(000000- )	Tube, Fuel, .19D . L 03lf/B	1
	19	367416	(000000- )	Tube, Fuel, .31D . L 05lf/0	1
	20	367417	(000000- )	Tube, Fuel, .31D 6.0L 05lf/0	1
	21	367249	(000000- )	Strap, Gas	2
	22	24698	(000000- )	Fitting, Str	1
	23	360872	(000000- )	Fitting, Banjo, Fuel	1
	24	367265	(000000- )	Hose, Fuel Filler	1
	25	83584	(000000- )	Clamp, Wormdrive, 1.31- 3.25D	2
▽	26	367264	(000000- )	Fuel Filler Assy	1
▲	27	48267	(000000- )	Cap, Fuel	1
	28	16944	(000000- )	Screw, Hex, Fmg, M04-0.7 X 10	3
	29	49263	(000000- )	Tie Cable 3.00D Max 3.34Lg	1
	30	82544	(000000- )	Fitting, Brass, Str	1
	31	76736	(000000- )	Clamp, Cable	1
	32	367597	(000000- )	Hose-Fuel, .18Id 6.0L	1
	33	53078	(000000- )	Fitting, Brass, Elbow	1
	34	41139	(000000- )	Washer, Lock, Int-Ext, #10	1

Fig. 16 - Radiator Group (000000-001253)

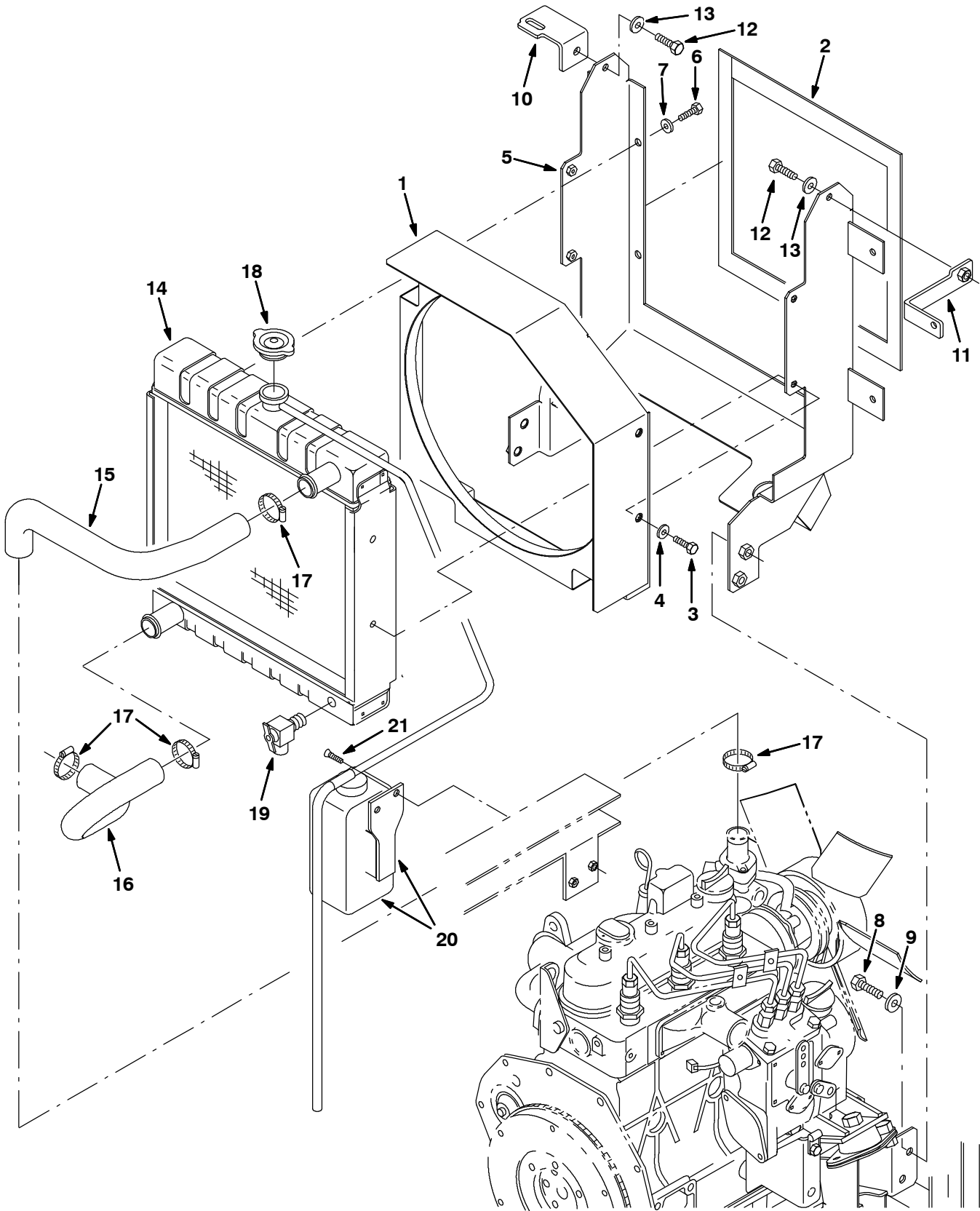


Fig. 16 - Radiator Group (000000-001253)

Ref.	Tennant Part No.	Machine Serial Number	Description	Qty.
1	367030	(000000-001253 )	Radiator Shroud Assy	1
2	367583	(000000-001253 )	Seal, Urethane, .37X.37X62.OI	1
3	06942	(000000-001253 )	Screw, Hex, M06-1.0 X 16, 8.8	4
4	32490	(000000-001253 )	Washer, Flat, .25 Hard	4
5	367075	(000000-001253 )	Bracket Wldt, Radiator Mtg	1
6	54395	(000000-001253 )	Screw, Hex, .31-18 X 0.62, G5	4
7	32489	(000000-001253 )	Washer, Flat	4
8	39283	(000000-001253 )	Screw, Hex, M10-1.5 X 25, 8.8	4
9	32492	(000000-001253 )	Washer, Flat, .38 Hard	4
10	367592	(000000-001253 )	Brace, Radiator	1
11	367077	(000000-001253 )	Brace, Radiator	1
12	16735	(000000-001253 )	Screw, Hex, M08-1.25 X 16, 8.8	2
13	32491	(000000-001253 )	Washer, Flat, .31 Hard	2
14	1041869	(000000-001253 )	Radiator	1
15	360363	(000000-001253 )	Hose, Radiator	1
16	367056	(000000-001253 )	Hose, Radiator, Lower	1
17	11399	(000000-001253 )	Clamp, Wormdrive	4
18	1045764	(000000-001253 )	Cap, Radiator, 14psi [Stant]	1
19	51305	(000000-001253 )	Draincock	1
20	87972	(000000-001253 )	Tank, Recovery	1
21	27997	(000000-001253 )	Screw, Flat, .25-20 X 0.62, Al	2

**Fig. 17 - Radiator Group (001254- )**

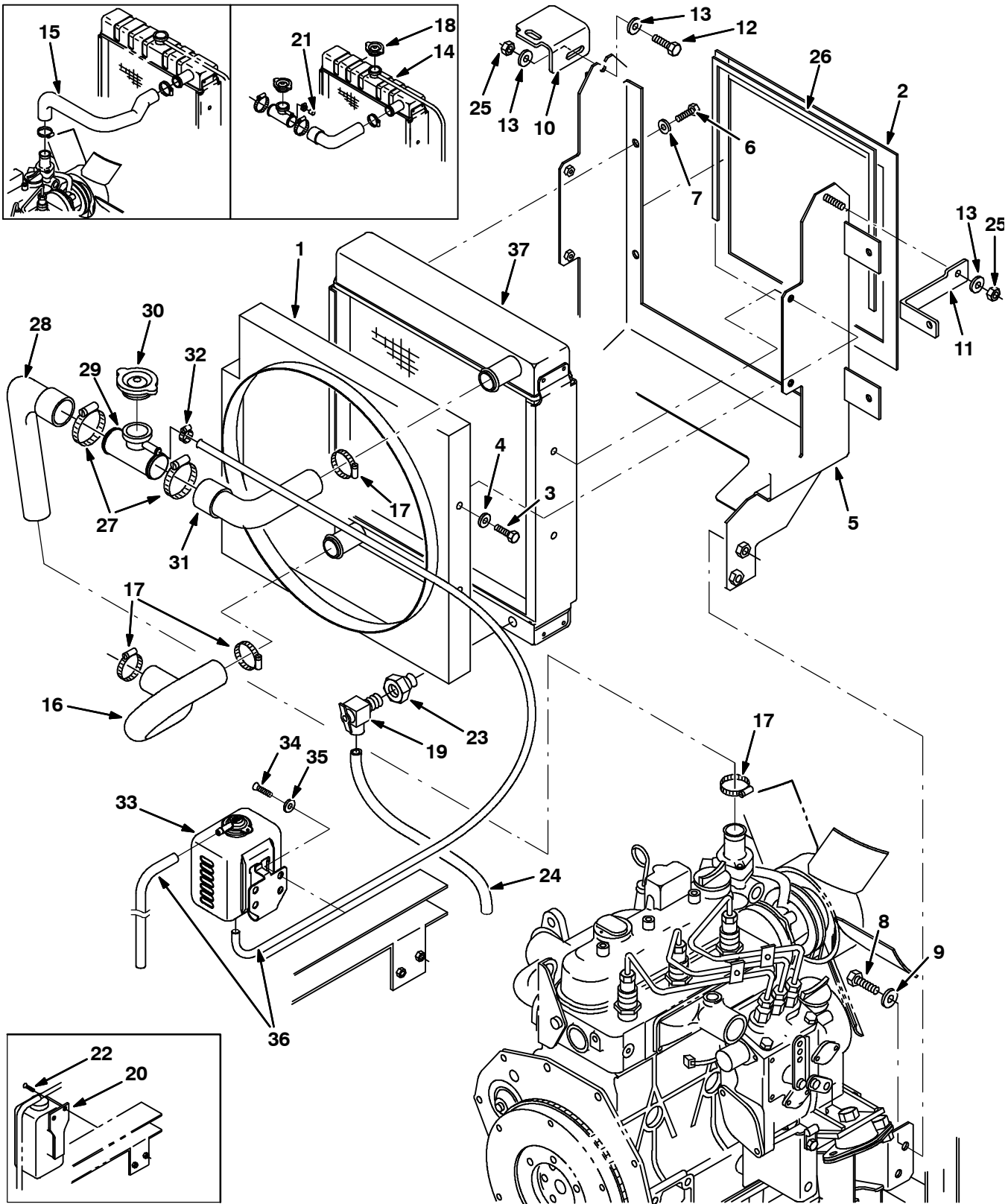




Fig. 17 - Radiator Group (001254- )

Ref.	Tennant Part No.	Machine Serial Number	Description	Qty.
1	367823	(001254-	) Radiator Shroud Assy	1
2	367583	(001254-	) Seal, Urethane, .37X.37X62.OI	1
3	06942	(001254-	) Screw, Hex, M06-1.0 X 16, 8.8	4
4	19066	(001254-	) Washer, Flat, .25 Hard	4
5	367817	(001254-	) Bracket Wldt, Radiator Mtg	1
6	54395	(001254-	) Screw, Hex, .31-18 X 0.62, G5	4
7	32489	(001254-	) Washer, Flat	4
8	39283	(001254-	) Screw, Hex, M10-1.5 X 25, 8.8	4
9	32492	(001254-	) Washer, Flat, .38 Hard	4
10	367819	(001254-	) Brace, Radiator	1
11	367077	(001254-	) Brace, Radiator	1
12	16735	(001254-	) Screw, Hex, M08-1.25 X 16, 8.8	2
13	32491	(001254-	) Washer, Flat, .31 Hard	2
14	367585	(001254-003016	) Radiator, Alm	1
15	368226	(001254-001589	) Hose, Radiator	1
16	367056	(001254-	) Hose, Radiator, Lower	1
17	11399	(001254-	) Clamp, Wormdrive	4
18	368132	(001254-003016	) Cap, Radiator, 14psi [Stant]	1
19	51305	(001254-	) Draincock	1
20	87972	(001254-002720	) Tank, Recovery	1
21	382209	(001590-003016	) Cap, Vinyl	1
22	27997	(001254-002720	) Screw, Flat, .25-20 X 0.62, Al	2
23	59892	(001254-	) Fitting, Str.	1
24	69276	(001254-	) Hose, Clear Vinyl	1
25	08709	(001254-	) Nut, Hex, Lock, M08-1.0, Ni	2
26	222639	(001254-	) Seal, Rubber	1
27	11531	(001590-	) Clamp, Wormdrive	2
28	368488	(001590-	) Hose, Radiator, Upper	1
29	368508	(001590-	) Tube, Fill, Radiator	1
30	1045764	(001590-	) Cap, Radiator, 15psi, [Stant #A02502]	1
31	368489	(001590-	) Hose, Radiator, Upper	1
32	43844	(001590-	) Clamp, Hose, Wormdrive, 0.25-0.62d	1
33	1023853	(002721-	) Tank, Coolant, 03.30w 4.7hi 04.7l, 1liter	1
34	06943	(002721-	) Screw, Hex, M6 X 1.0 X 20, 8.8	2
35	32490	(002721-	) Washer, Flat, 0.25, Std	2
36	381391	(002721-	) Hose, Drain, Overflow, Radiator	1
37	1047596	(003017-	) Radiator	1

**Fig. 18 - Engine Oil and Hydraulic Oil Cooler Group (000000-001253)**

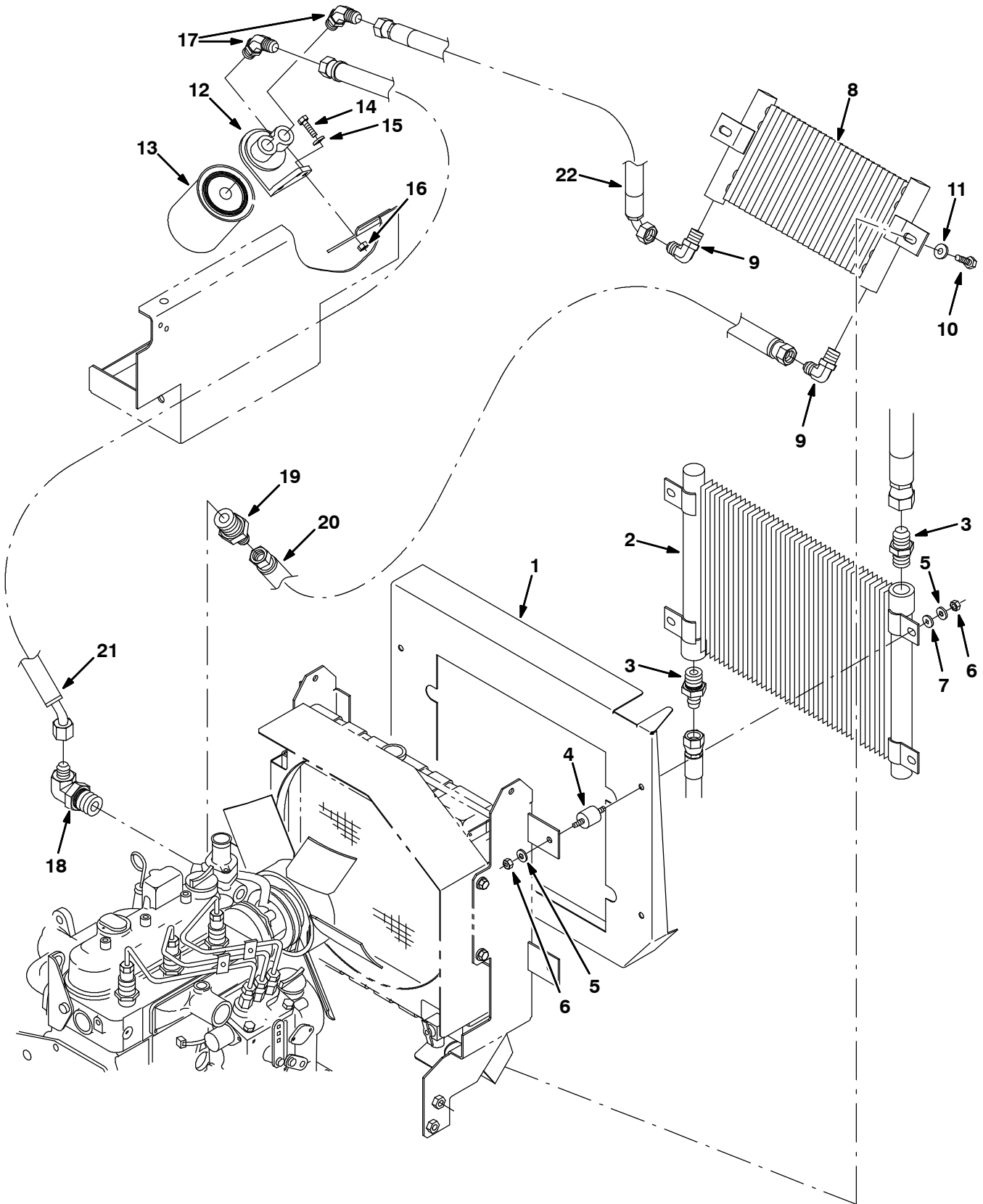


Fig. 18 - Engine Oil and Hydraulic Oil Cooler Group (000000-001253)

Ref.	Tennant Part No.	Machine Serial Number	Description	Qty.
1	367413	(000000-001253 )	Panel, Shroud, Radiator	1
2	31592	(000000-001253 )	Cooler, Oil, Hyd	1
3	42223	(000000-001253 )	Fitting, Hyd, Str	2
4	51322	(000000-001253 )	Isolator, Vibration	4
5	43952	(000000-001253 )	Washer, Lock, Int, .31, Ss	8
6	19313	(000000-001253 )	Nut, Hex, Std, .31-18	8
7	32491	(000000-001253 )	Washer, Flat, .31 Hard	4
8	361024	(000000-001253 )	Kit, Cooler-Hyd	1
9	51869	(000000-xxxxxx )	Fitting, Hyd, Elbow	2
9	44868	( xxxxxx-001253 )	Fitting, Hyd, Elbow w/ Oring	2
10	16931	(000000-001253 )	Screw, Hex, M08-1.25 X 20, 8.8	2
11	39349	(000000-001253 )	Washer, Flat, .31 Sae	2
12	364972	(000000-001253 )	Bracket, Mount, Remote Oil Fil	1
13	39703-2	(000000-001253 )	Element, Filter, Oil	1
14	39277	(000000-001253 )	Screw, Hex, M08-1.25 X 25, 8.8	3
15	39349	(000000-001253 )	Washer, Flat, .31 Sae	3
16	07791	(000000-001253 )	Nut, Hex, Flange, M08-1.25	8
17	51780	(000000-001253 )	Fitting, Hyd, Elbow	2
18	33595	(000000-001253 )	Fitting, Hyd, Elbow, Metric	1
19	367591	(000000-001253 )	Ftg, Hyd, Str Omm16/Jm08 Metric	1
20	367574	(000000-001253 )	Hose-Hyd Low08 Jf/Jf	1
21	367576	(000000-001253 )	Hose-Hyd Low08 Jf/J4	1
22	57974	(000000-001253 )	Hose, Hyd	1

# STANDARD PARTS

Fig. 19 - Engine Oil and Hydraulic Oil Cooler Group (001254- )

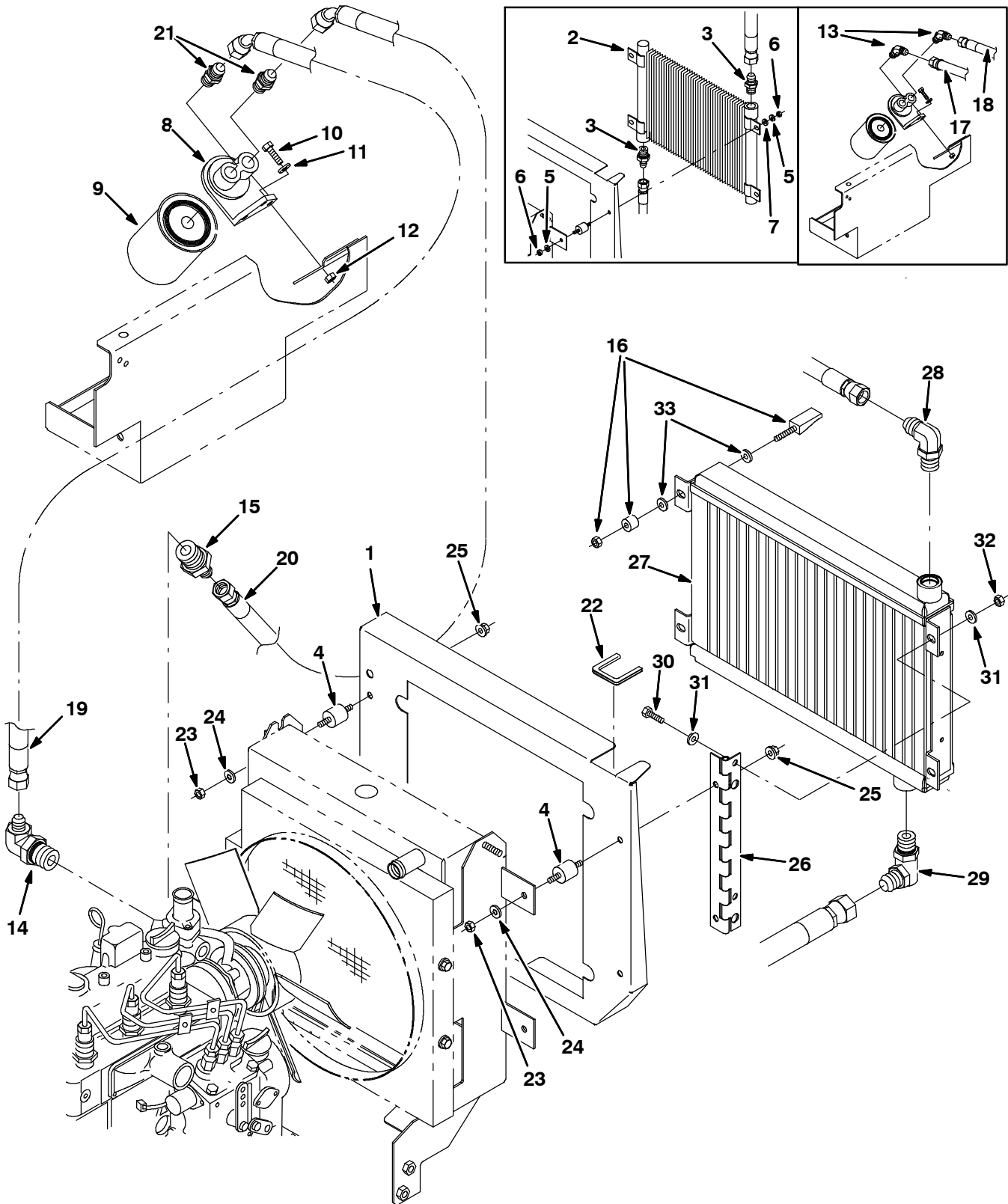


Fig. 19 - Engine Oil and Hydraulic Oil Cooler Group (001254- )

Ref.	Tennant Part No.	Machine Serial Number	Description	Qty.
1	367827	(001254-	) Panel, Shrd, Radiator	1
2	31592	(001254-003016	) Cooler, Oil, Hyd	1
3	42223	(001254-003016	) Fitting, Hyd, Str	2
4	51322	(001254-	) Isolator, Vibration	4
5	43952	(001254-003016	) Washer, Lock, Int, .31, Ss	8
6	19313	(001254-003016	) Nut, Hex, Std, .31-18	8
7	32491	(001254-003016	) Washer, Flat, .31 Hard	4
8	364972	(001254-	) Bracket, Mount, Remote Oil Fil	1
9	39703-2	(001254-	) Element, Filter, Oil	1
10	39277	(001254-	) Screw, Hex, M08-1.25 X 25, 8.8	3
11	39349	(001254-	) Washer, Flat, .31 Sae	3
12	07791	(001254-	) Nut, Hex, Flange, M08-1.25	8
13	51780	(001254-001315	) Fitting, Hyd, Elbow	2
14	33595	(001254-	) Fitting, Hyd, Elbow, Metric	1
15	367591	(001254-	) Ftg, Hyd, Str Omm16/Jm08 Metric	1
16	768451	(003017-	) Latch, Cover, Access	1
17	367576	(001254-001315	) Hose-Hyd	1
18	78811	(001254-001315	) Hose, Hyd	1
19	368417	(001316-	) Hose, Hyd	1
20	368418	(001316-	) Hose, Hyd	1
21	15687	(001316-	) Fitting, Hyd, Str, Pm08/Jm08	2
22	02015	(001316-	) Model 215, Swpr, Rider, Gas, MI-D	2
23	19313	(003017-	) Nut, Hex, Std, .31-18	4
24	32984	(003017-	) Washer, Lock, Int, 0.31	4
25	27979	(003017-	) Nut, Hex, Flng, .31-18	4
26	1047329	(003017-	) Hinge, .25pin .07 2.0w 12.0l, 4/0.38h	1
27	1047595	(003017-	) Cooler, Hyd, 25gpm	1
28	51782	(003017-	) Fitting, Hyd, E90, Jm10/Om10	1
29	1047326	(003017-	) Fitting, Hyd, E90, Jm10/Om10, Swivel	1
30	16931	(003017-	) Screw, Hex, M8 X 1.25 X 20, 8.8	2
31	32491	(003017-	) Washer, Flat, 0.31, Std	4
32	08709	(003017-	) Nut, Hex, Lock, M8 X 1.25, NI	2
33	01684	(003017-	) Washer, Flat, 0.27b 0.69d .05, Ss	2

**Fig. 20 - Battery Group**

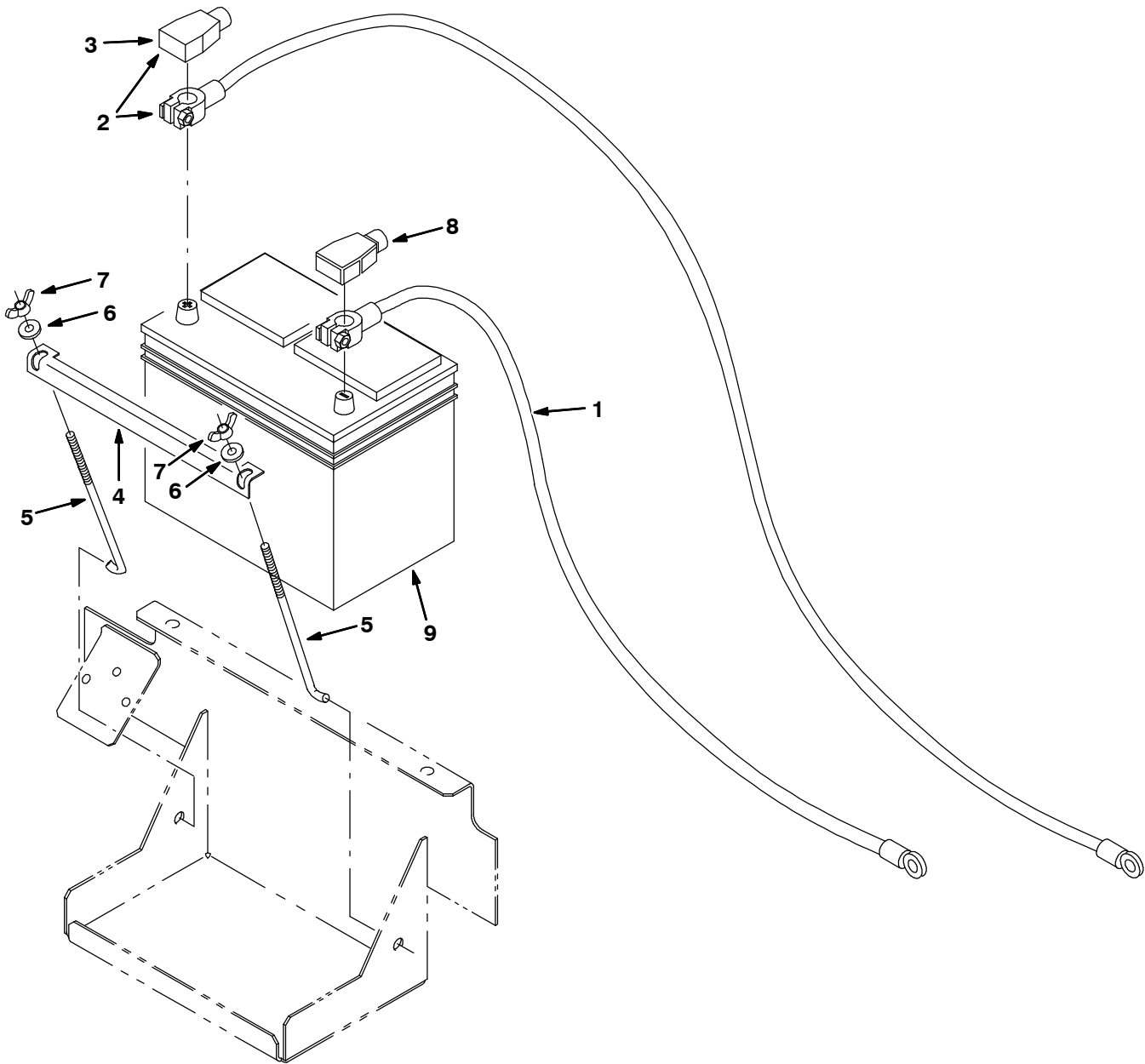


Fig. 20 - Battery Group

Ref.	Tenant Part No.	Machine Serial Number	Description	Qty.
1	82709	(000000-	) Cable, Battery	1
▽ 2	76313	(000000-	) Cable, Battery	1
▲ 3	68873	(000000-	) Boot, Battery, Red	1
4	72977	(000000-	) Angle	1
5	13015	(000000-	) Bolt, Holddown, 8.5 Long	2
6	01685	(000000-	) Washer, Flat, .31 Ss	2
7	39272	(000000-	) Nut, Wing, .31-18	2
8	68872	(000000-	) Boot, Battery, Black	1
9	77602	(000000-	) Battery, 12V, Wet	1

**Fig. 21 - Front Axle Group**

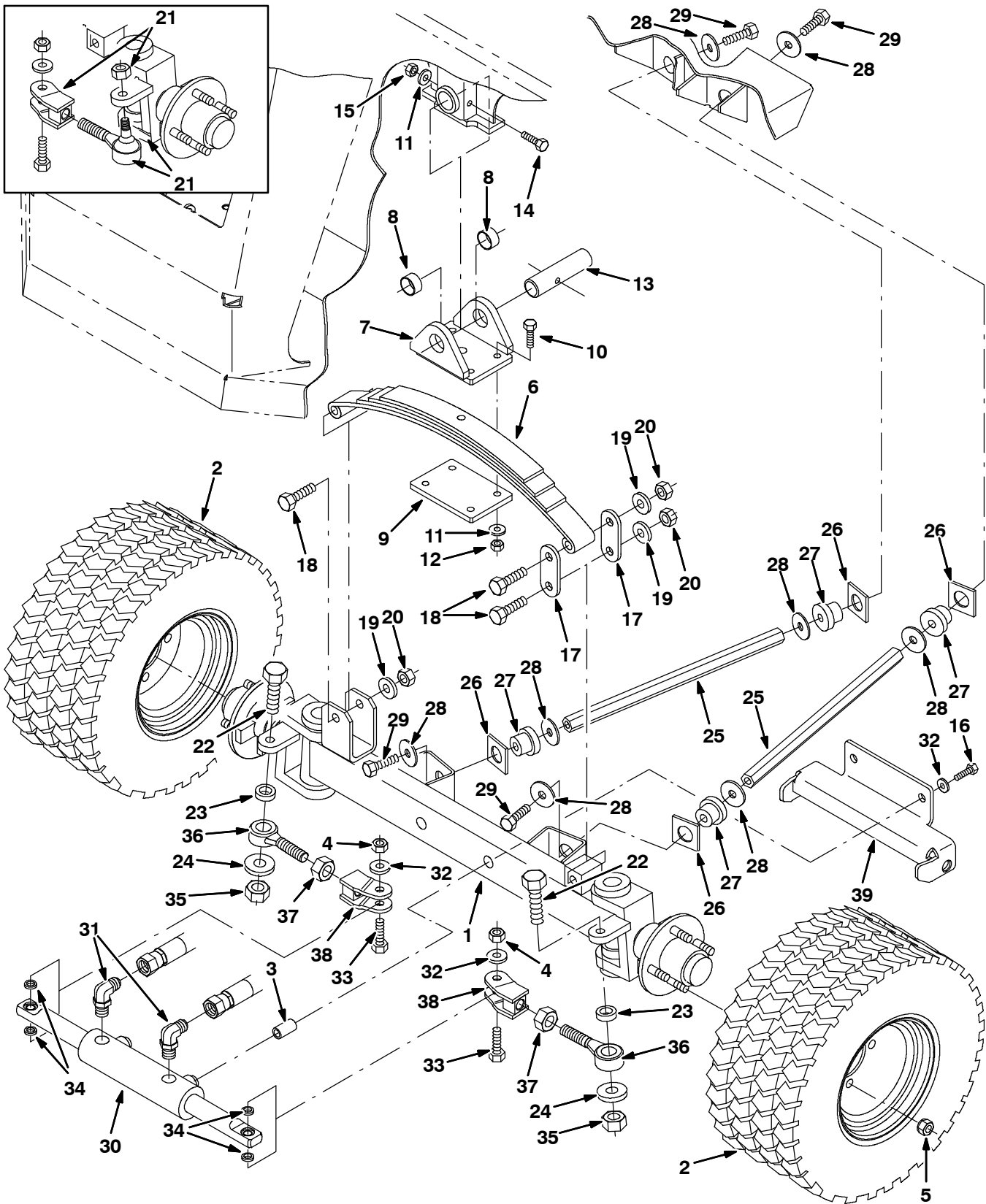




Fig. 21 - Front Axle Group

Ref.	Tennant Part No.	Machine Serial Number	Description	Qty.
	1	368360	(000000-001748 ) Axle Assy (See Breakdowns)	1
	1	398254	(001749- ) Axle Assy (See Breakdowns)	1
▽	2	367039	(000000- ) Wheel, Pneumatic, Front, [Atlv 4300]	1
▲		367637	(000000- ) Rim, 8.00 X 7.00	1
▲		367638	(000000- ) Tire, [18x8.5-8 4 Pr]	1
	3	367093	(000000- ) Tube, Spacer	2
	4	02931	(000000- ) Nut, Hex, Lock, .50-13, NI, Ss	2
	5	24339	(000000- ) Nut, Wheel, .50-20 X 60 Angle	8
	6	367085	(000000- ) Spring	1
	7	367757	(000000- ) Plate, Spring Mount	1
	8	367767	(000000- ) Bearing, Flange	2
	9	367235	(000000- ) Plate, Spring Mount	1
	10	06964	(000000- ) Screw, Hex, M10-1.5 X 70, 8.8	4
	11	32492	(000000- ) Washer, Flat, .38 Hard	5
	12	08714	(000000- ) Nut, Hex, Lock, M10-1.5, NI,Ss	4
	13	367759	(000000- ) Pin	1
	14	06958	(000000- ) Screw, Hex, M08-1.25 X 80, 8.8	1
	15	08709	(000000- ) Nut, Hex, Lock, M08-1.25,NI	1
	16	06972	(000000- ) Screw, Hex, M12-1.75 X 60, 8.8	2
	17	367096	(000000- ) Link, Connecting	2
	18	367092	(000000- ) Bolt, Shld .56d X 2.32, .44-20	3
	19	39346	(000000- ) Washer, Flat, .44 Std Hard	3
	20	367227	(000000- ) Nut, Hex, Lock, .44-20, NI, Ss	3
	21	368359	(000000-001243 ) Kit, Rod End	2
	22	58056	(001244- ) Screw, Hex, .75-10 X 3.00, G5	2
	23	368332	(001244- ) Sleeve	2
	24	39350	(001244- ) Washer, Flat, .75 Sae	2
	25	367179	(000000- ) Bar, Stabilizer	2
	26	361980	(000000- ) Spacer	4
	27	51176	(000000- ) Dampener, Engine	4
	28	51564	(000000- ) Washer	8
	29	09774	(000000- ) Screw, Hex, M12-1.75 X 50, Ss	4
	30	368422	(000000-001364 ) Kit, Cylinder (Replc. 367104)	1
	30	373401	(001365-002744 ) Cylinder, Hyd 2.0B, 19.1L, 04.80Strk, 1500 (See Breakdowns) (Replaced by 1030146)	1
▽	30	1030146	(002745- ) Cylinder, Hyd, 2.0B 19.1L 04.75 Strk 3000	1
▲		1035710	(002745- ) Seal Kit, Cyl, Hyd	1
	31	47638	(000000- ) Fitting, Hyd, Elbow	2
	32	32493	(000000- ) Washer, Flat, .50 Hard	4
	33	27984	(000000- ) Screw, Hex, .50-13 X 2.25, G5	2
	34	367237	(000000- ) Sleeve	4
	35	32987	(001244- ) Nut, Hex, Lock, .75-10, NI	2
	36	368336	(001244- ) Balljoint, Rod-End	2
	37	35886	(001244- ) Nut, Hex, Jam, .75-16	2
	38	368327	(001244- ) Link, Connecting	2
	39	367347	(000000- ) Bracket, Mtg, Linkage, Head	1

**Fig. 22 - Rear Drive Wheels Group**

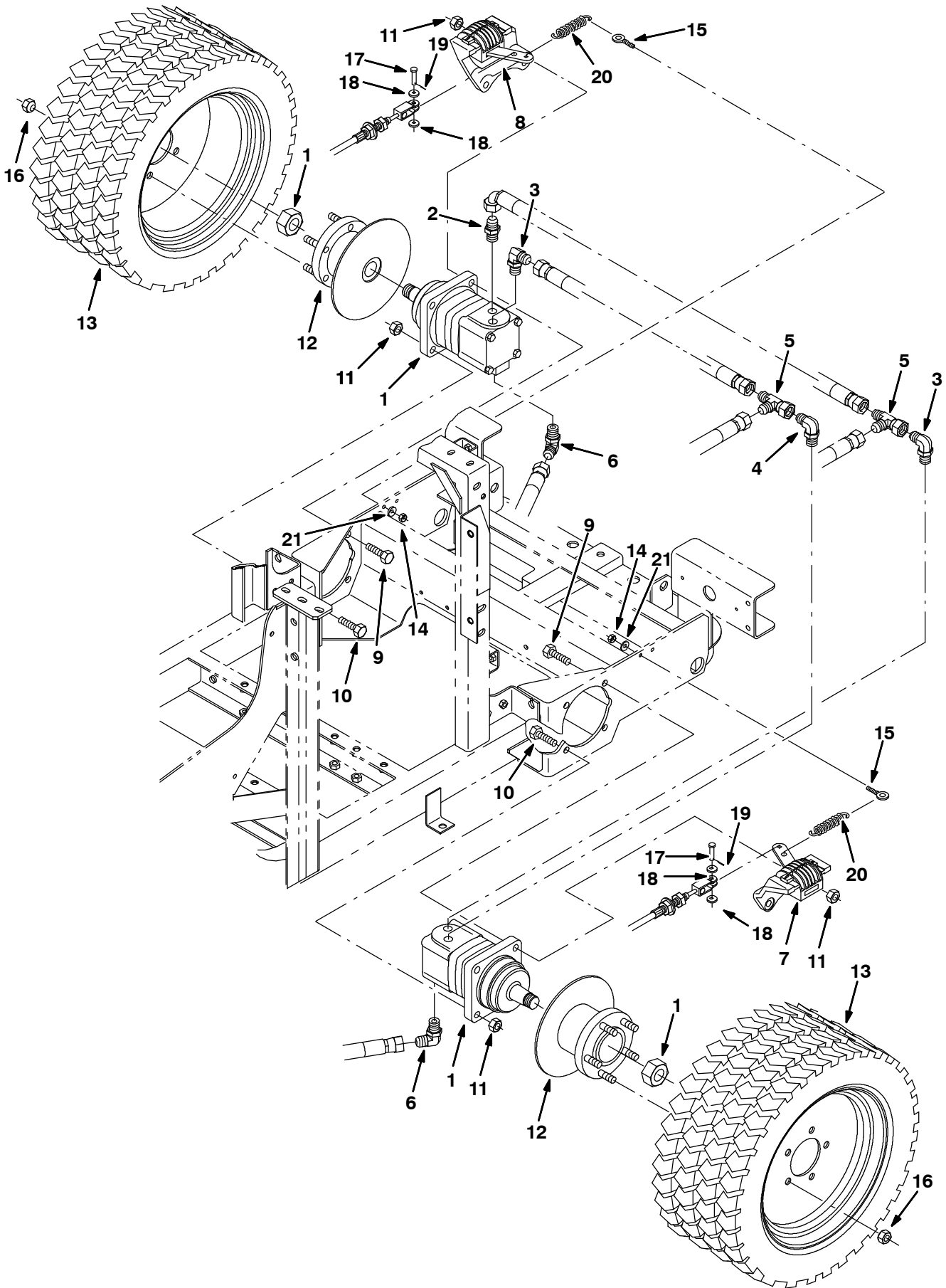


Fig. 22 - Rear Drive Wheels Group

Ref.	Tennant Part No.	Machine Serial Number	Description	Qty.
1	367081	(000000-	) Motor, Hyd Gear In 08.0 B 3000 (See Breakdowns)	2
2	46480	(000000-	) Fitting, Hyd, Str	1
3	51782	(000000-	) Fitting, Hyd, Elbow	2
4	47509	(000000-	) Fitting, Hyd, Elbow	1
5	51779	(000000-	) Fitting, Hyd, Tee	2
6	77097	(000000-	) Fitting, Hyd, Elbow	2
7	367033	(000000-	) Brake Assy, Lh (See Breakdowns)	1
8	367034	(000000-	) Brake Assy, Rh (See Breakdowns)	1
9	06972	(000000-	) Screw, Hex, M12-1.75 X 60, 8.8	4
10	06971	(000000-	) Screw, Hex, M12-1.75 X 50, 8.8	4
11	08711	(000000-	) Nut, Hex, Lock, M12-1.75,NI	8
12	367796	(000000-	) Hub And Disc Assy, W/Paint	2
▽	13	367040	(000000-) Wheel/Tire Assy, 23X8.5-12 4Pr	2
▲		367639	(000000-) Wheel, 12.00 X 7.00	1
▲		367640	(000000-) Tire	1
14	32981	(000000-	) Nut, Hex, Lock, .25-20, NI	2
15	48079	(000000-	) Bolt, Eye, .25-20X1.1X .25 Eye	2
16	24339	(000000-	) Nut, Wheel, .50-20 X 60 Angle	10
17	10120	(000000-	) Pin, Clevis	2
18	39349	(000000-	) Washer, Flat, .31 Sae	4
19	39005	(000000-	) Pin, Cotter	2
20	29499	(000000-	) Spring, Tension	2
21	32483	(000000-	) Washer, Flat, .25 Sae	2

Fig. 23 - Brake Pedals Group

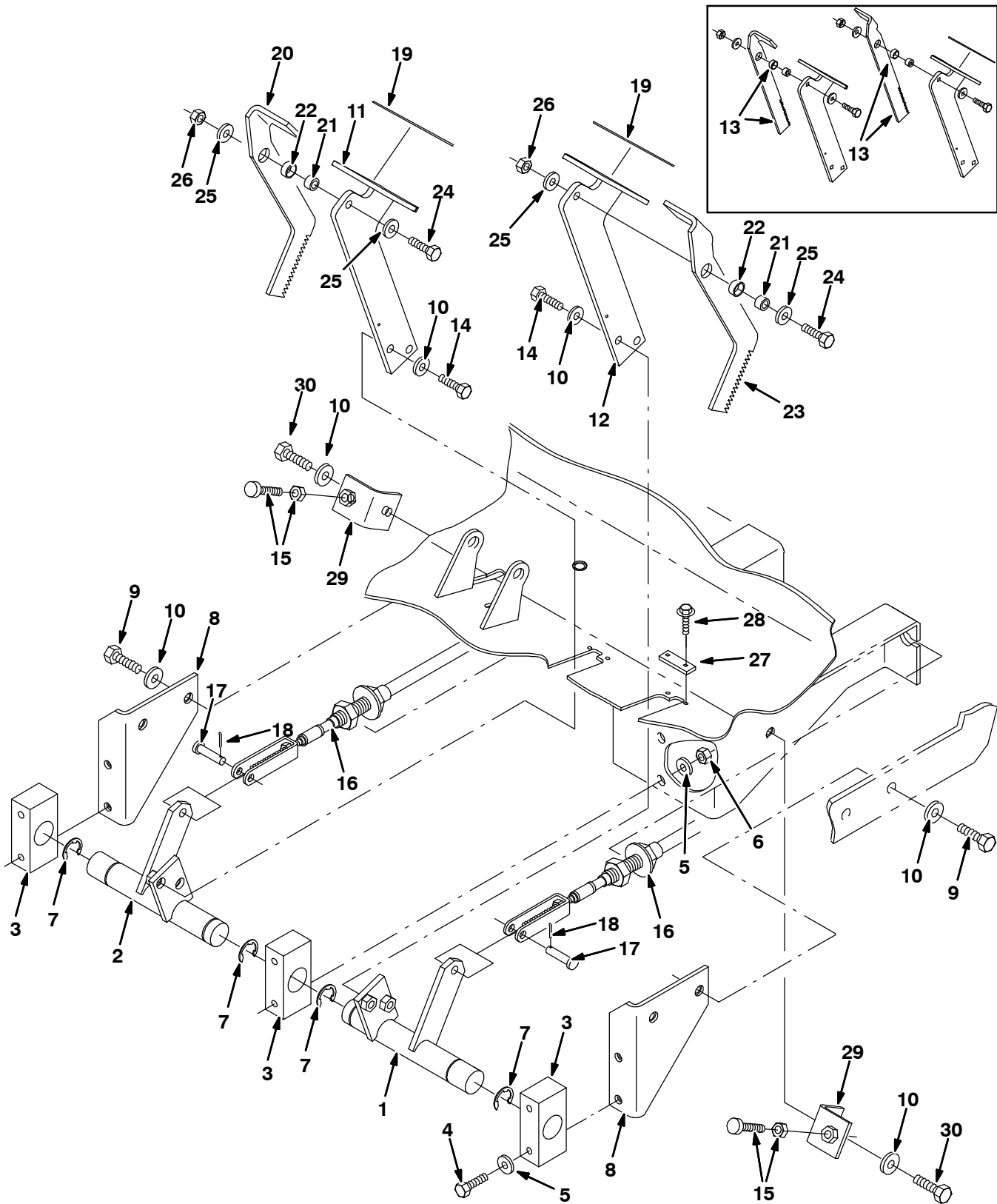


Fig. 23 - Brake Pedals Group

Ref.	Tennant Part No.	Machine Serial Number	Description	Qty.
1	367287	(000000-	) Brake Wldt, Cross-Shaft Lh	1
2	367285	(000000-	) Brake Wldt, Cross-Shaft Rh	1
3	86751	(000000-	) Bearing	3
4	58979	(000000-	) Screw, Hex, M06-1.0 X 55, Ss	6
5	01684	(000000-	) Washer, Flat, .25 Ss	8
6	08712	(000000-	) Nut, Hex, Lock, M06-1.0, NI,Ss	2
7	23788	(000000-	) Ring, Retaining	4
8	367294	(000000-	) Bracket, Angle Brake Mtg	2
9	09011	(000000-	) Screw, Hex, M08-1.25 X 30, Ss	4
10	01685	(000000-	) Washer, Flat, .31 Ss	10
11	367284	(000000-	) Pedal Wldt, Brake Rh	1
12	367286	(000000-	) Pedal Wldt, Brake Lh	1
13	368367	(000000-001299	) Kit, Brake, Parking Stop	1
14	12333	(000000-	) Screw, Hex, M08-1.25 X 25, Ss	4
15	75128	(000000-	) Spindle, Adjustment	2
16	367136	(000000-	) Cable Assy, Brake	2
17	69582	(000000-	) Pin, Clevis	2
18	39005	(000000-	) Pin, Cotter	2
19	367295	(000000-	) Tread, Brake Pedal	2
20	368364	(001300-	) Brake, Stop, Parking, Right	1
21	222516	(000000-	) Sleeve	2
22	367452	(000000-	) Bearing Sleeve .50B .59D .25L	2
23	368365	(001300-	) Brake, Parking Stop, Left	1
24	76570	(000000-	) Screw, Hex, M08-1.25 X 30	2
25	32490	(000000-	) Washer, Flat, .25 Hard	4
26	08709	(000000-	) Nut, Hex, Lock, M08-1.25,NI	2
27	368188	(000000-	) Plate, Stop Parking	2
28	223198	(000000-	) Screw, Hex	4
29	367502	(000000-	) Plate, Brake Stop	2
30	09010	(000000-	) Screw, Hex, M08-1.25 X 25, Ss	2

Fig. 24 - Directional Pedal Group

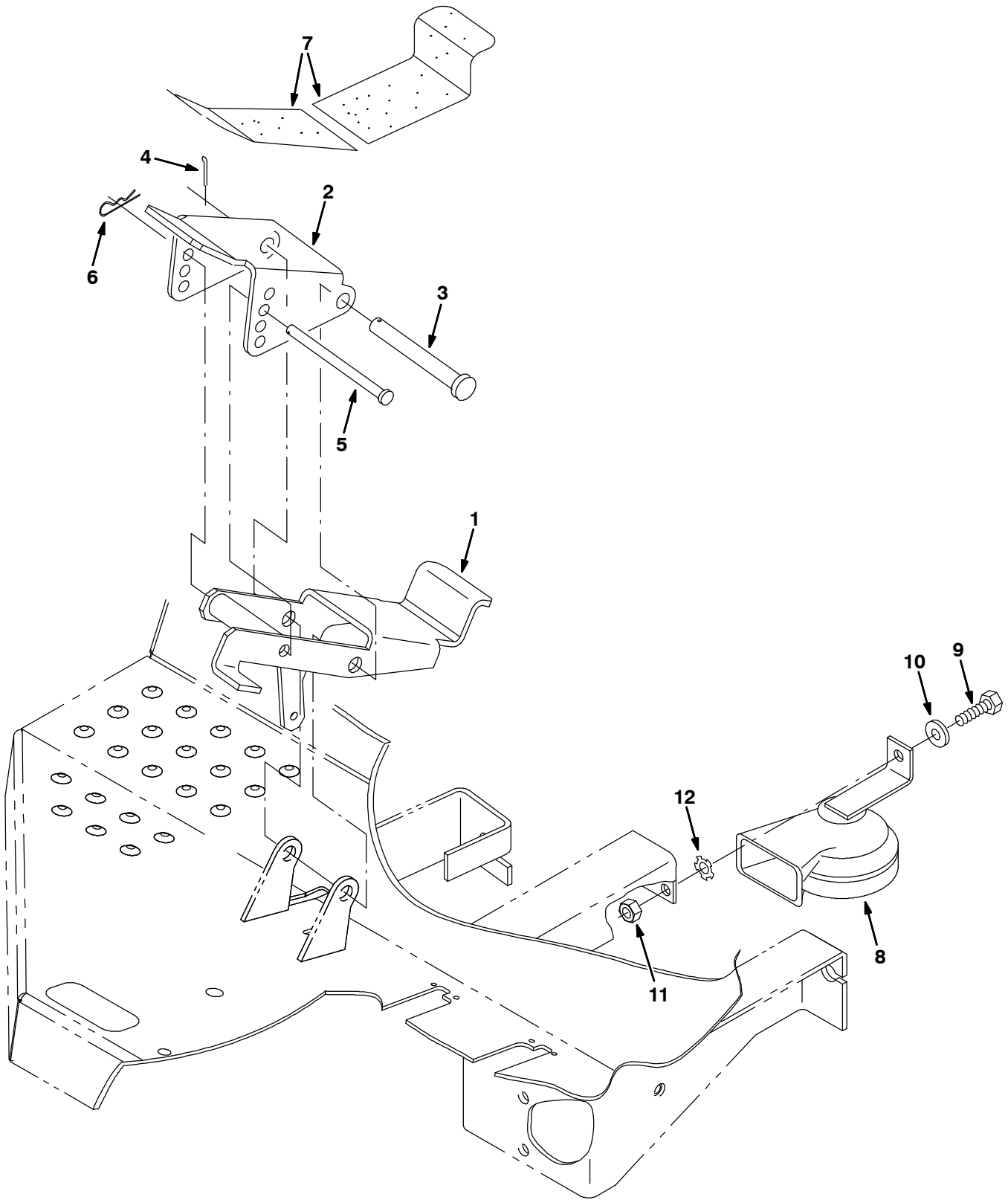


Fig. 24 - Directional Pedal Group

Ref.	Tennant Part No.	Machine Serial Number	Description	Qty.
1	367288	(000000-	) Pedel Wldt, Lower	1
2	75305	(000000-	) Pedal, Upper	1
3	222196	(000000-	) Pin, Clevis	1
4	08182	(000000-	) Pin, Cotter	1
5	59672	(000000-	) Pin, Clevis	1
6	97163	(000000-	) Pin, Hair Cotter	1
7	75430	(000000-	) Pad	1
8	369704	(000000-	) Horn	1
9	39277	(000000-	) Screw, Hex, M08-1.25 X 25, 8.8	1
10	32491	(000000-	) Washer, Flat, .31 Hard	1
11	07791	(000000-	) Nut, Hex, Flange, M08-1.25	1
12	41142	(000000-	) Washer, Lock, Int-Ext, .38	1

**Fig. 25 - Vacuum Fan and Housing Group**

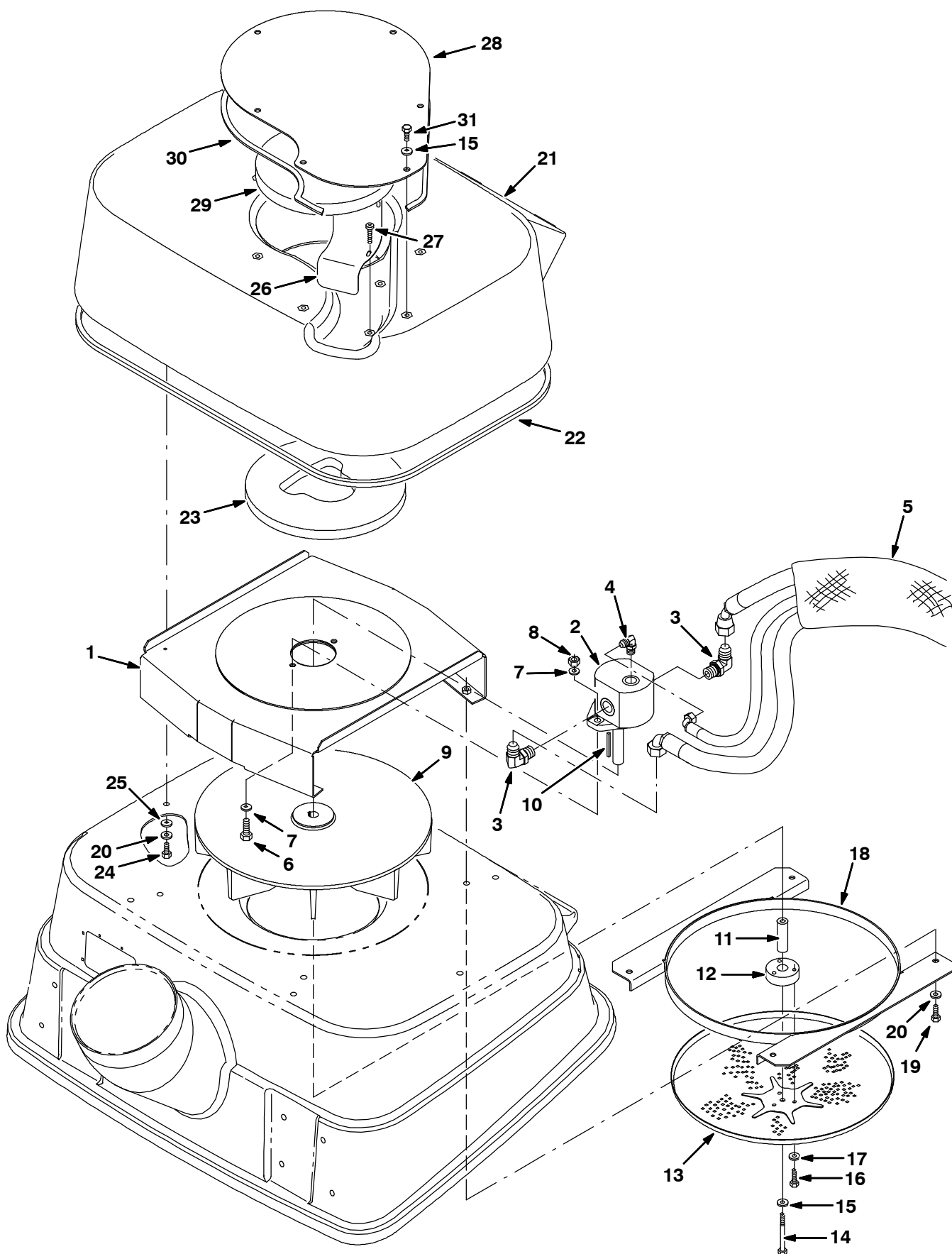




Fig. 25 - Vacuum Fan and Housing Group

Ref.	Tennant Part No.	Machine Serial Number	Description	Qty.
1	368539	(000000-	) Plate Wldt, Fan Mount	1
2	367105	(000000-	) Motor, Hyd (See Breakdowns)	1
3	51782	(000000-	) Fitting, Hyd, Elbow	2
4	77097	(000000-	) Fitting, Hyd, Elbow	1
5	367987	(000000-	) Sleeve, Nyl See60150 #33 60.0L	1
6	368176	(000000-	) Screw, Hex, M10X1.5 35, 10.9	2
7	32485	(000000-	) Washer, Flat, .38 Sae	4
8	41430	(000000-	) Nut, Hex, Lock, M10-1.5, NI	2
9	368538	(000000-	) Impeller, Machined	1
10	00919	(000000-	) Key, Square	1
11	367131	(000000-	) Tube, 0.75D 0.38B 2.7L Stl Z	1
12	367760	(000000-	) Spacer, Screen	1
13	367993	(000000-	) Screen, Vac Fan	1
14	39281	(000000-	) Screw, Hex, M08-1.25 X 90, 8.8	1
15	01685	(000000-	) Washer, Flat, .31 Ss	7
16	33930	(000000-	) Screw, Hex, M06-1.0 X 40, Ss	3
17	32483	(000000-	) Washer, Flat, .25 Sae	3
18	367731	(000000-	) Guard, Screen	1
19	39277	(000000-	) Screw, Hex, M08-1.25 X 25, 8.8	4
20	32491	(000000-	) Washer, Flat, .31 Hard	10
21	368349	(000000-	) Housing, Vacuum Fan	1
22	367514	(000000-	) Seal, Ure	1
23	368262	(000000-	) Gasket, Cover	1
24	16931	(000000-	) Screw, Hex, M08-1.25 X 20, 8.8	6
25	30013	(000000-	) Washer, Flat, .31 Fender	6
26	368178	(000000-	) Guard, Hose	1
27	360973	(000000-	) Screw, Pan, #12- X 0.50,	3
28	367376	(000000-	) Plate, Cover	1
29	367849	(000000-	) Insulation, Acoustic	1
30	367564	(000000-	) Seal, Foam Rbr .12 X .38 X 60.	1
31	09740	(000000-	) Screw, Hex, M08-1.25 X 20, Ss	6

**Fig. 26 - Vacuum Bag Group**

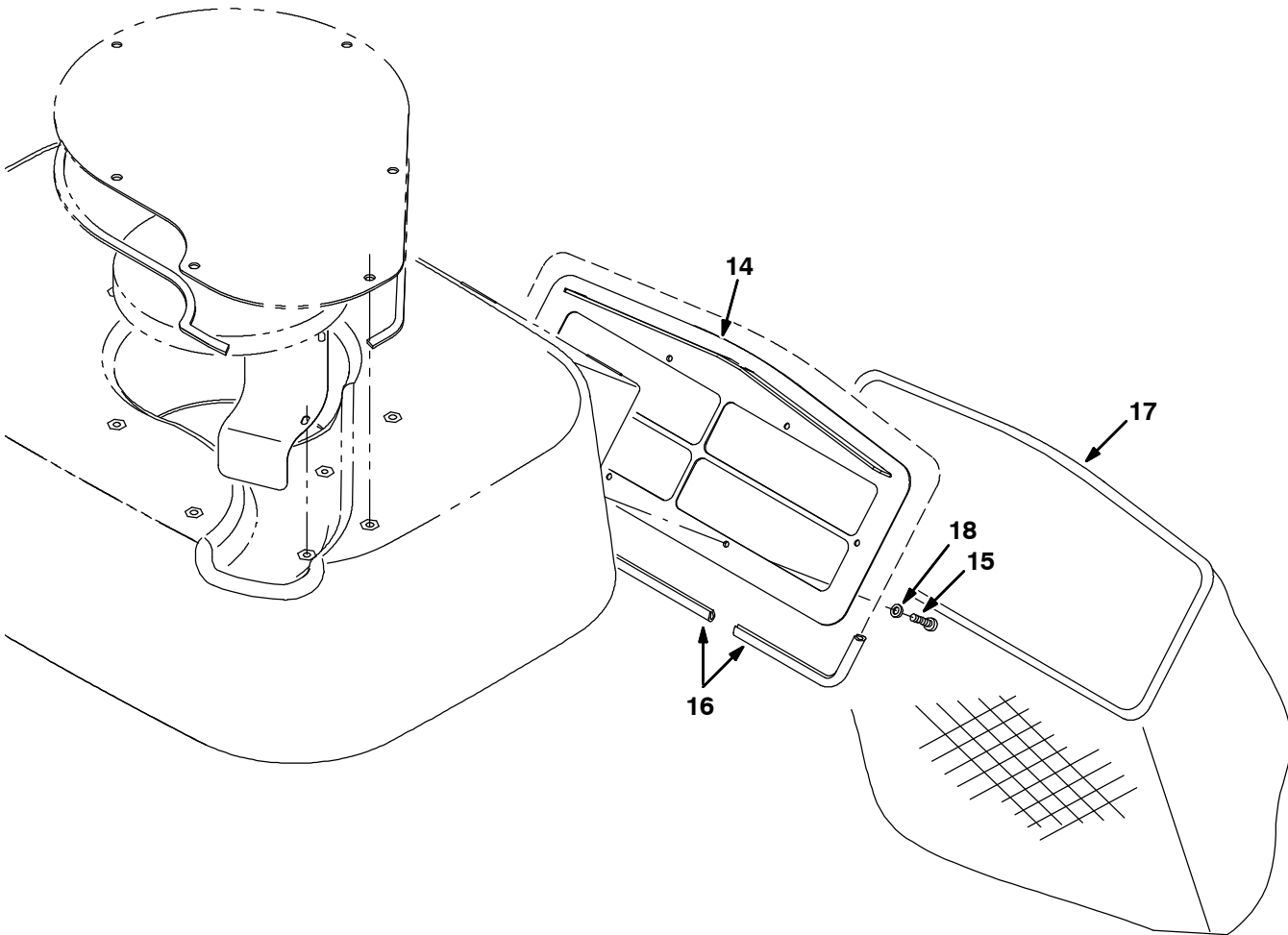
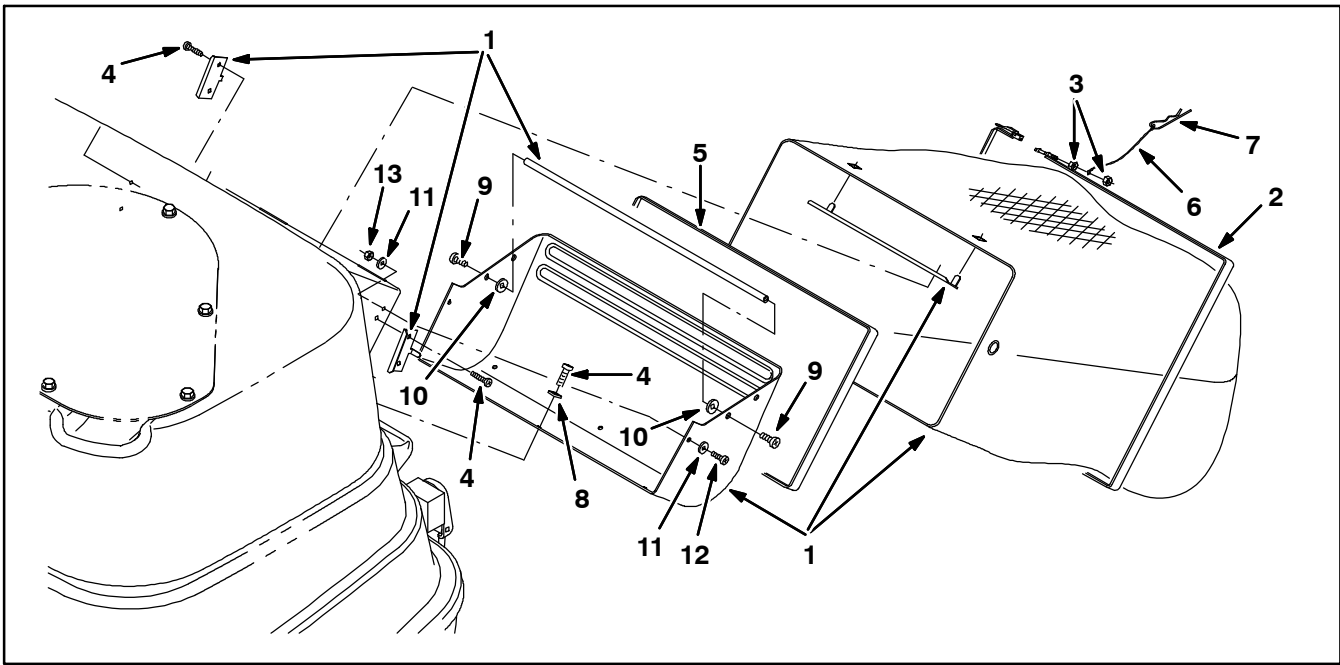


Fig. 26 - Vacuum Bag Group

Ref.	Tennant Part No.	Machine Serial Number	Description	Qty.
1	368107	(000000-001069 )	Kit, Replmt Bag, Filter Atlv	1
2	368333	(000000-001069 )	Clamp, Retaining	1
3	86618	(000000-001069 )	Nut, Hex, Lock, #10-32, NI	1
4	360973	(000000-001069 )	Screw, Pan, #12- X 0.50,	9
5	368016	(000000-001069 )	Seal, Foam	1
6	81993	(000000-001069 )	Lanyard, Fire Door	1
7	44906	(000000-001069 )	Pin, Hair Cotter	1
8	19324	(000000-001069 )	Washer, Flat, #10 Sae	5
9	09737	(000000-001069 )	Screw, Pan, M08-1.25X 20, 4.8	4
10	39349	(000000-001069 )	Washer, Flat, .31 Sae	4
11	01684	(000000-001069 )	Washer, Flat, .25 Ss	4
12	32746	(000000-001069 )	Screw, Pan, M06-1.0 X 35, Ss	2
13	08708	(000000-001069 )	Nut, Hex, Lock, M06-1.0, NI	2
14	368035	(001070- )	Plate, Vacuum Exhaust	1
15	360973	(001070-001199 )	Screw, Pan, #12X0.50	6
15	09200	(001200- )	Screw, Pan, M05-0.8x12, Ss	6
16	368038	(001070- )	Molding, Rigid, 54.75 Lg	1
17	368108	(001070- )	Bag, Vacuum	1
18	01683	(001200- )	Washer, Flat, #10 Ss	6

# STANDARD PARTS

Fig. 27 - Debris Canister Group (000000-001887)

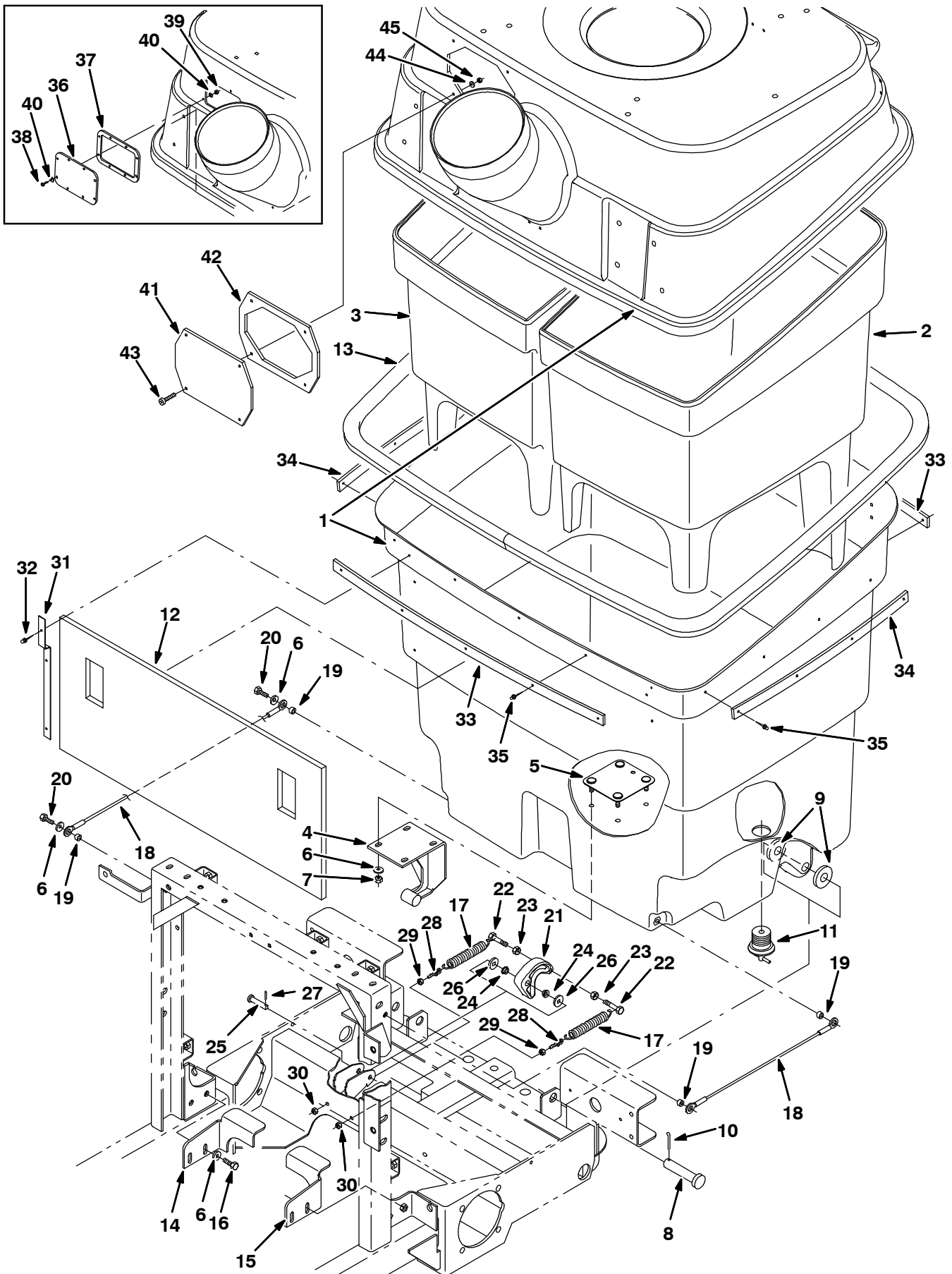


Fig. 27 - Debris Canister Group (000000-001887)

Ref.	Tennant Part No.	Machine Serial Number	Description	Qty.
1	368022	(000000-001887 )	Canister, Debris w/label (Replaced by 368642)	1
2	367153	(000000-001887 )	Liner, Lh	1
3	367154	(000000-001887 )	Liner, Rh	1
4	367535	(000000-001887 )	Bracket Weldment, Tank Stop	1
5	367567	(000000-001887 )	Plate, Backing	1
6	32491	(000000-001887 )	Washer, Flat, .31 Hard	17
7	08709	(000000-001887 )	Nut, Hex, Lock, M08-1.25,NI	4
8	24729	(000000-001887 )	Pin, Clevis	2
9	39350	(000000-001887 )	Washer, Flat, .75 Sae	2
10	08236	(000000-001887 )	Pin, Cotter	2
11	398205	(000000-001887 )	Plug, Expandable, 1.5D	1
12	367864	(000000-001887 )	Insulation, Acoustic	1
13	368673	(000000-001887 )	Kit, Ci, Seal, Hppr, Cover. [Atlv}	1
14	367370	(000000-001887 )	Bracket, Front Mount, Rh	1
15	367745	(000000-001887 )	Bracket, Front Mount, Lh	1
16	39277	(000000-001887 )	Screw, Hex, M08-1.25 X 25, 8.8	4
17	11842	(000000-001887 )	Spring, Tension	2
18	367375	(000000-001887 )	Cable, Debris Canister	2
19	222516	(000000-001887 )	Sleeve	4
20	16931	(000000-001887 )	Screw, Hex, M08-1.25 X 20, 8.8	4
21	367680	(000000-001887 )	Block, Pivot Stop, Machined	1
22	41342	(000000-001887 )	Screw, Hex, M08-1.25 X 40, 8.8	2
23	39311	(000000-001887 )	Nut, Hex, Std, M08-1.25	2
24	15877	(000000-001887 )	Bearing, Flange	2
25	17461	(000000-001887 )	Pin, Clevis	1
26	32485	(000000-001887 )	Washer, Flat, .38 Sae	2
27	39005	(000000-001887 )	Pin, Cotter	1
28	48079	(000000-001887 )	Bolt, Eye, .25-20X1.1X .25 Eye	2
29	19312	(000000-001887 )	Nut, Hex, Std, .25-20	2
30	32981	(000000-001887 )	Nut, Hex, Lock, .25-20, NI	2
31	368177	(000000-001887 )	Strip, Mtg, Insulation	2
32	80218	(000000-001887 )	Rivet, Pop .187 X .66 X 38 DHD	6
33	368399	(000000-001887 )	Strip, Stiffener, Rear	2
34	368400	(000000-001887 )	Strip, Stiffener, Side	2
35	368404	(000000-001887 )	Rivet, Pop .187	18
36	367601	(000000-001119 )	Plate, Window	1
37	367685	(000000-001119 )	Gasket, Wndw	1
38	24198	(000000-001119 )	Screw, Pan, M05 X 0.8 X 25, Ss	8
39	09739	(000000-001119 )	Nut, Hex, Lock, M05 X 0.8, NI, Ss	8
40	01683	(001120-001887 )	Washer, Flat, #10 Ss	16
41	367968	(001120-001887 )	Pane, Poly-C	1
42	367967	(001120-001887 )	Gasket, Foam	1
43	32746	(001120-001887 )	Screw, Pan, M 6 X 1.0 X 35, Ss	4
44	01684	(001120-001887 )	Washer, Flat, .25 Ss	4
45	08712	(001120-001887 )	Nut, Hex, Lock, M06 X 1.0, NI, Ss	4

**Fig. 28 - Debris Canister Group (001888- )**

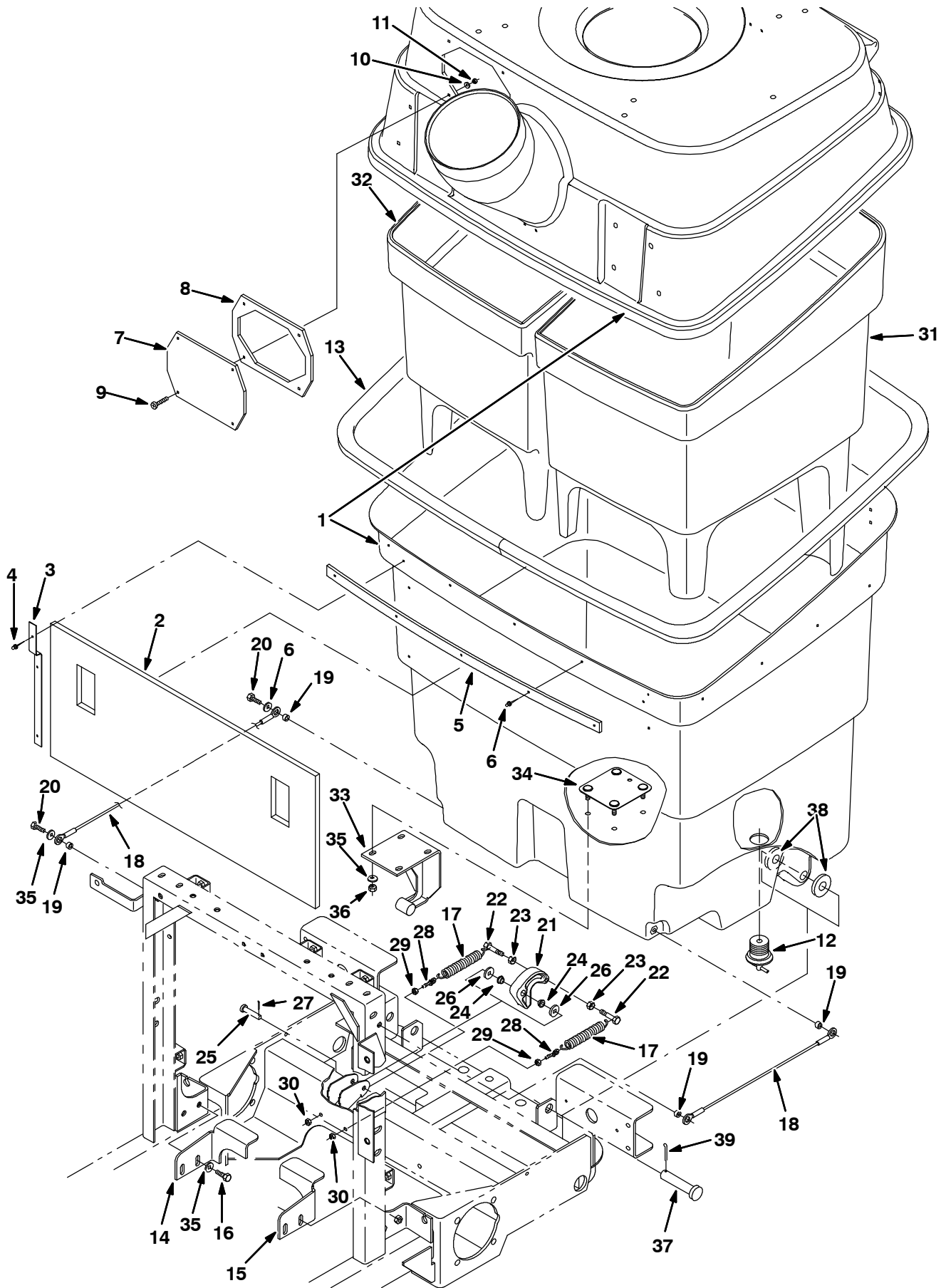


Fig. 28 - Debris Canister Group (001888- )

Ref.	Tennant Part No.	Machine Serial Number	Description	Qty.
▽	1	368642	(001888- ) Hopper Assy, W/Labels, [Atlv]	1
▲	2	367864	(001888- ) Insulation, Acstc	1
▲	3	368177	(001888- ) Bracket, Mtg, Insulation	2
▲	4	80218	(001888- ) Rivet, Blind, .188d X 0.66 X .38d, Alm	6
▲	5	368399	(001888- ) Strip, Stiffener, Rear	1
▲	6	368404	(001888- ) Rivet, Blind, .188d 0.82 X .38d, Alm	5
▲	7	367968	(001888- ) Pane, Poly-C	1
▲	8	367967	(001888- ) Gasket, Foam	1
▲	9	32746	(001888- ) Screw, Pan, M 6 X 1.0 X 35, Ss	4
▲	10	01684	(001888- ) Washer, Flat, .25 Ss	4
▲	11	08712	(001888- ) Nut, Hex, Lock, M06 X 1.0, NI, Ss	4
	12	398205	(001888- ) Plug, Expandable, 1.5d	1
	13	368673	(001888- ) Kit, Ci, Seal, Hppr Cover, [Atlv]	1
	14	367370	(001888- ) Bracket, Front Mount, Rh	1
	15	367745	(001888- ) Bracket, Front Mount, Lh	1
	16	39277	(001888- ) Screw, Hex, M08-1.25 X 25, 8.8	4
	17	11842	(001888- ) Spring, Tension	2
	18	367375	(001888- ) Cable, Debris Canister	2
	19	222516	(001888- ) Sleeve	4
	20	16931	(001888- ) Screw, Hex, M08-1.25 X 20, 8.8	4
	21	367680	(001888- ) Block, Pivot Stop, Machined	1
	22	41342	(001888- ) Screw, Hex, M08-1.25 X 40, 8.8	2
	23	39311	(001888- ) Nut, Hex, Std, M08-1.25	2
	24	15877	(001888- ) Bearing, Flange	2
	25	17461	(001888- ) Pin, Clevis	1
	26	32485	(001888- ) Washer, Flat, .38 Sae	2
	27	39005	(001888- ) Pin, Cotter	1
	28	48079	(001888- ) Bolt, Eye, .25-20X1.1X .25 Eye	2
	29	19312	(001888- ) Nut, Hex, Std, .25-20	2
	30	32981	(001888- ) Nut, Hex, Lock, .25-20, NI	2
	31	367153	(001888- ) Liner, Lh	1
	32	367154	(001888- ) Liner, Rh	1
	33	367535	(001888- ) Bracket Weldment, Tank Stop	1
	34	367567	(001888- ) Plate, Backing	1
	35	32491	(001888- ) Washer, Flat, .31 Hard	17
	36	08709	(001888- ) Nut, Hex, Lock, M08-1.25,NI	4
	37	24729	(001888- ) Pin, Clevis	2
	38	39350	(001888- ) Washer, Flat, .75 Sae	2
	39	08236	(001888- ) Pin, Cotter	2

**Fig. 29 - Debris Canister Cover Group**

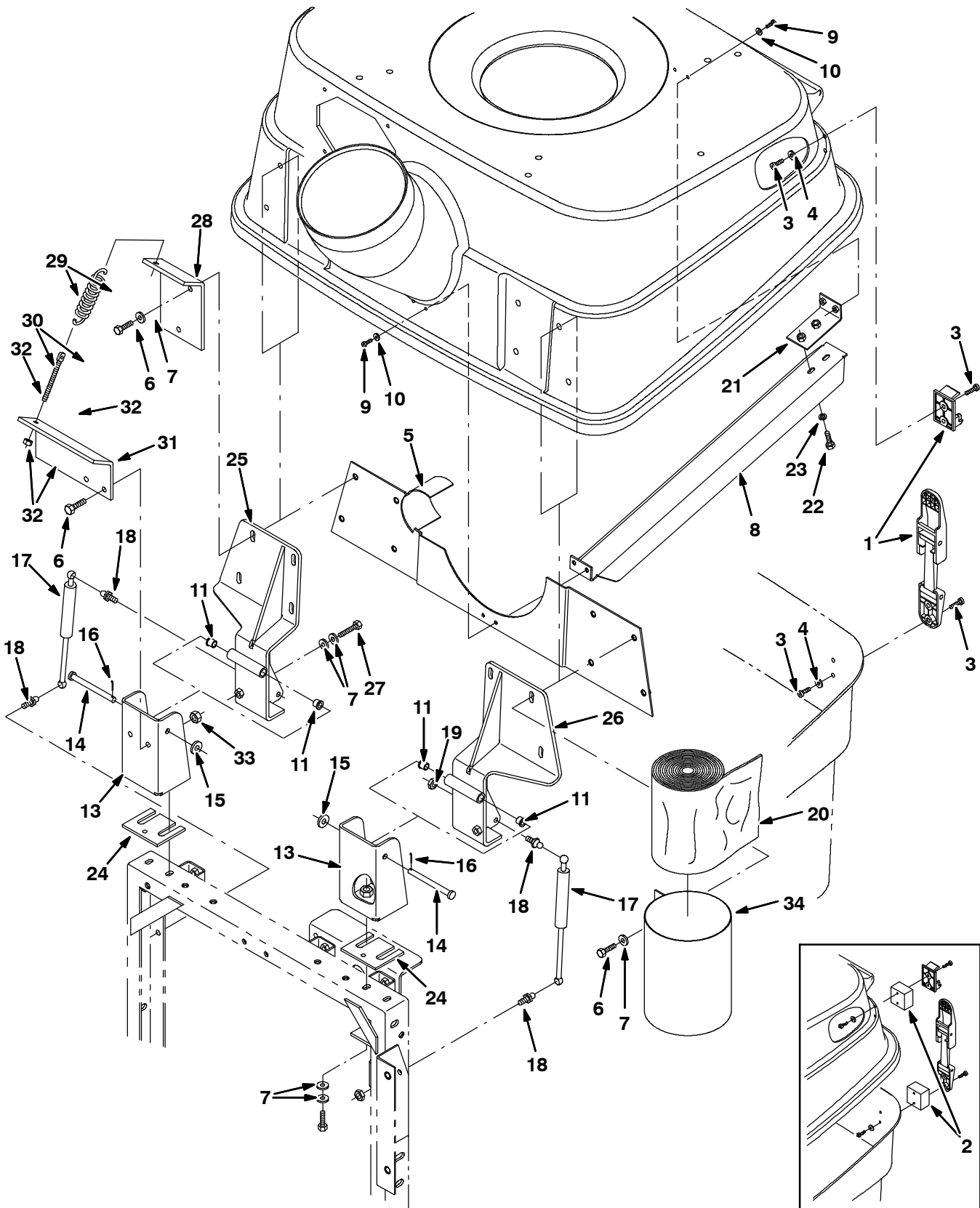




Fig. 29 - Debris Canister Cover Group

Ref.	Tennant Part No.	Machine Serial Number	Description	Qty.
1	367746	(000000-	) Latch	2
2	367561	(000000-001887	) Block, Latch Mounting	4
3	48732	(000000-	) Screw, Pan, M 6 X 1.0 X 10, Ss	16
4	32490	(000000-	) Washer, Flat, .25 Hard	8
5	368552	(000000-	) Plate, Backing	1
6	09011	(000000-	) Screw, Hex, M08-1.25 X 30, Ss	10
7	32491	(000000-	) Washer, Flat, .31 Hard	20
8	368105	(000000-xxxxxx	) Kit, Brace, Plenum	1
8	368136	(xxxxxx-	) Bracket, Plenum Brace	1
9	24196	(000000-	) Screw, Pan, M05-0.8 X 20, Ss	4
10	01683	(000000-	) Washer, Flat, #10 Ss	4
11	44238-5	(000000-	) Bushing, Flange	4
12	39277	(000000-	) Screw, Hex, M08-1.25 X 25, 8.8	4
13	367839	(000000-	) Bracket, Hinge Mount White	2
13	367873	(000000-xxxxxx	) Bracket, Hinge Mount Blue	2
13	367888	(000000-xxxxxx	) Bracket, Hinge Mount Red	2
13	367903	(000000-xxxxxx	) Bracket, Hinge Mount Purple	2
13	367918	(000000-xxxxxx	) Bracket, Hinge Mount Green	2
13	367933	(000000-xxxxxx	) Bracket, Hinge Mount Yellow	2
14	49914	(000000-	) Pin, Clevis	2
15	32485	(000000-	) Washer, Flat, .38 Sae	2
16	39005	(000000-	) Pin, Cotter	2
17	368391	(000000-	) Spring, Gas	2
18	58494	(000000-	) Stud, Ball, Gas Spring	4
19	01760	(000000-	) Nut, Hex, Lock, .31-18, NI	4
20	367734	(000000-	) Bag, Poly, 18 Ct	1
21	368048	(xxxxxx-	) Bracket, Brace Mounting	1
22	09740	(xxxxxx-	) Screw, Hex, M08-1.25 X 20, Ss	2
23	01685	(xxxxxx-	) Washer, Flat, .31 Ss	2
24	368161	(000000-	) Plate, Shim	2
25	367160	(000000-	) Hinge Weldment, Rh	1
26	367727	(000000-	) Hinge Weldment, Lh	1
27	04375	(000000-	) Screw, Hex, M08-1.25 X 40, FI	2
28	368662	(000000-	) Angle, Mtg, Spring, Hppr Cover, [Atlv]	1
29	50864	(000000-	) Spring, Extn, 1.00od X 0.16wir, 5.4l	2
30	32536	(000000-	) Bolt, Eye, .31-18 X 3.75 X .18 Eye	2
31	368663	(000000-	) Angle, Mtg, Spring, Hppr Cover, [Atlv]	1
32	01760	(000000-	) Nut, Hex, Lock, .31-18, NI, Thin	4
33	08709	(000000-	) Nut, Hex, Lock, M08 X 1.25,NI	2
34	368654	(000000-	) Tube Holder Wldt, Garbage Bag	1

Fig. 30 - Front Vacuum Support Arm Group

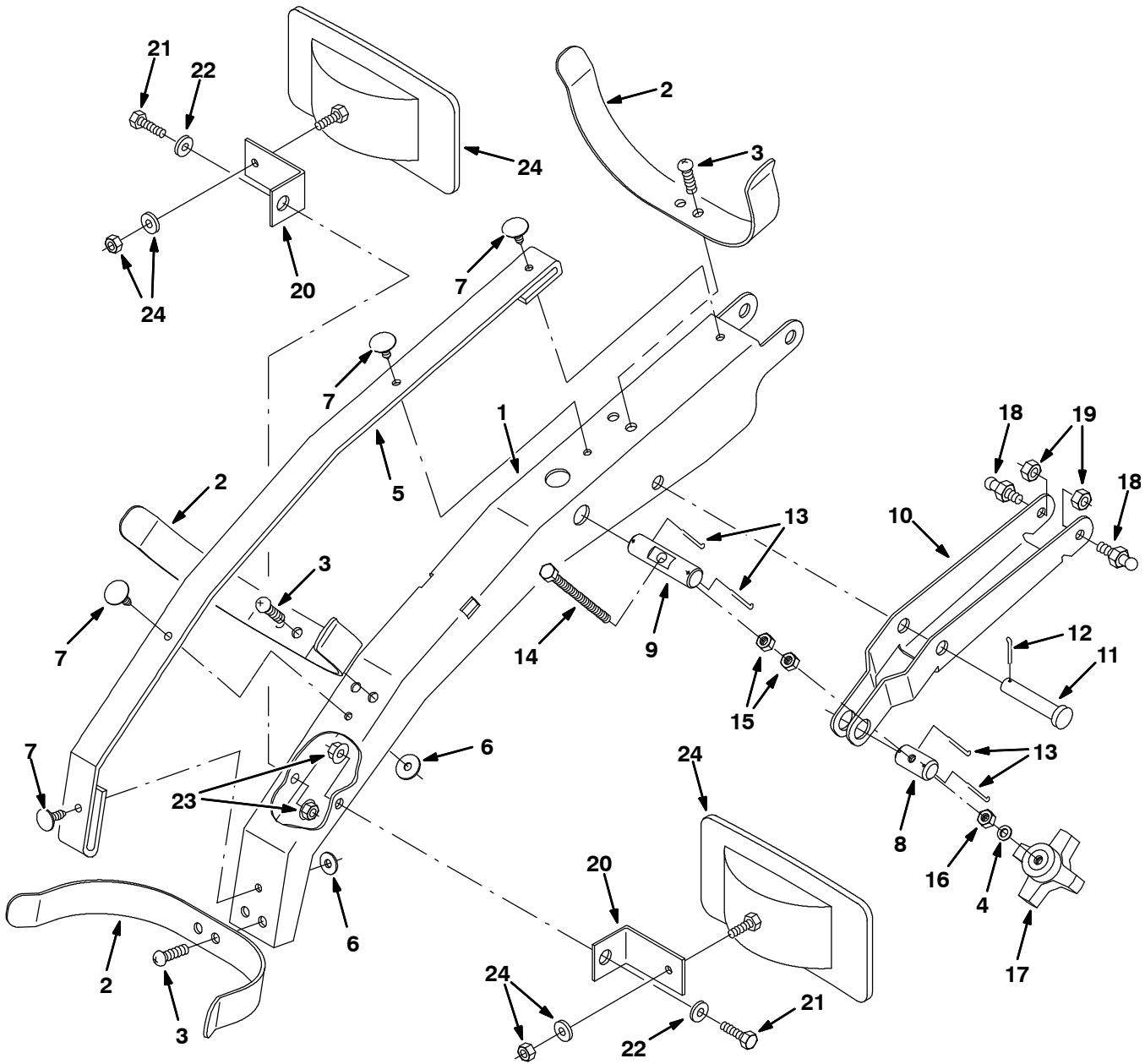


Fig. 30 - Front Vacuum Support Arm Group

Ref.	Tennant Part No.	Machine Serial Number	Description	Qty.
1	367217	(000000-	) Plate, Bent, Gas Spring	1
2	367218	(000000-	) Plate, Bent, Hose Guide	3
3	09737	(000000-	) Screw, Pan, M08-1.25X 20, 4.8	6
4	01685	(000000-	) Washer, Flat .31 Ss	1
5	367549	(000000-	) Strip, Rubber	1
6	41178	(000000-	) Washer, Flat, .25 Fender	2
7	84086	(000000-	) Clip, Christmas Tree	4
8	367222	(000000-	) Pin, Threaded	1
9	367221	(000000-	) Pin, Adjusting	1
10	368566	(000000-	) Plate, Bent	1
11	51103	(000000-	) Pin, Clevis	1
12	08182	(000000-	) Pin, Cotter	1
13	08181	(000000-	) Pin, Cotter	4
14	367484	(000000-	) Scr-Hex .31-18X4.50 Full Thd	1
15	19313	(000000-	) Nut, Hex, Std, .31-18	2
16	31702	(000000-	) Nut, Hex, Flange, .31-18, Large	1
17	370100	(000000-	) Knob 4 Prong W/.31-18 Insert	1
18	58494	(000000-	) Stud, Ball, Gas Spring	2
19	32983	(000000-	) Nut, Hex, Lock, .31-18, NI	2
20	367657	(000000-	) Bracket, Angle	2
21	16931	(000000-	) Screw, Hex, M08-1.25 X 20, 8.8	2
22	32491	(000000-	) Washer, Flat, .31 Hard	2
23	07791	(000000-	) Nut, Hex, Flange, M08-1.25	2
24	49034	(000000-	) Mirror, Rear View	2

Fig. 31 - Rear Vacuum Support Arm Group

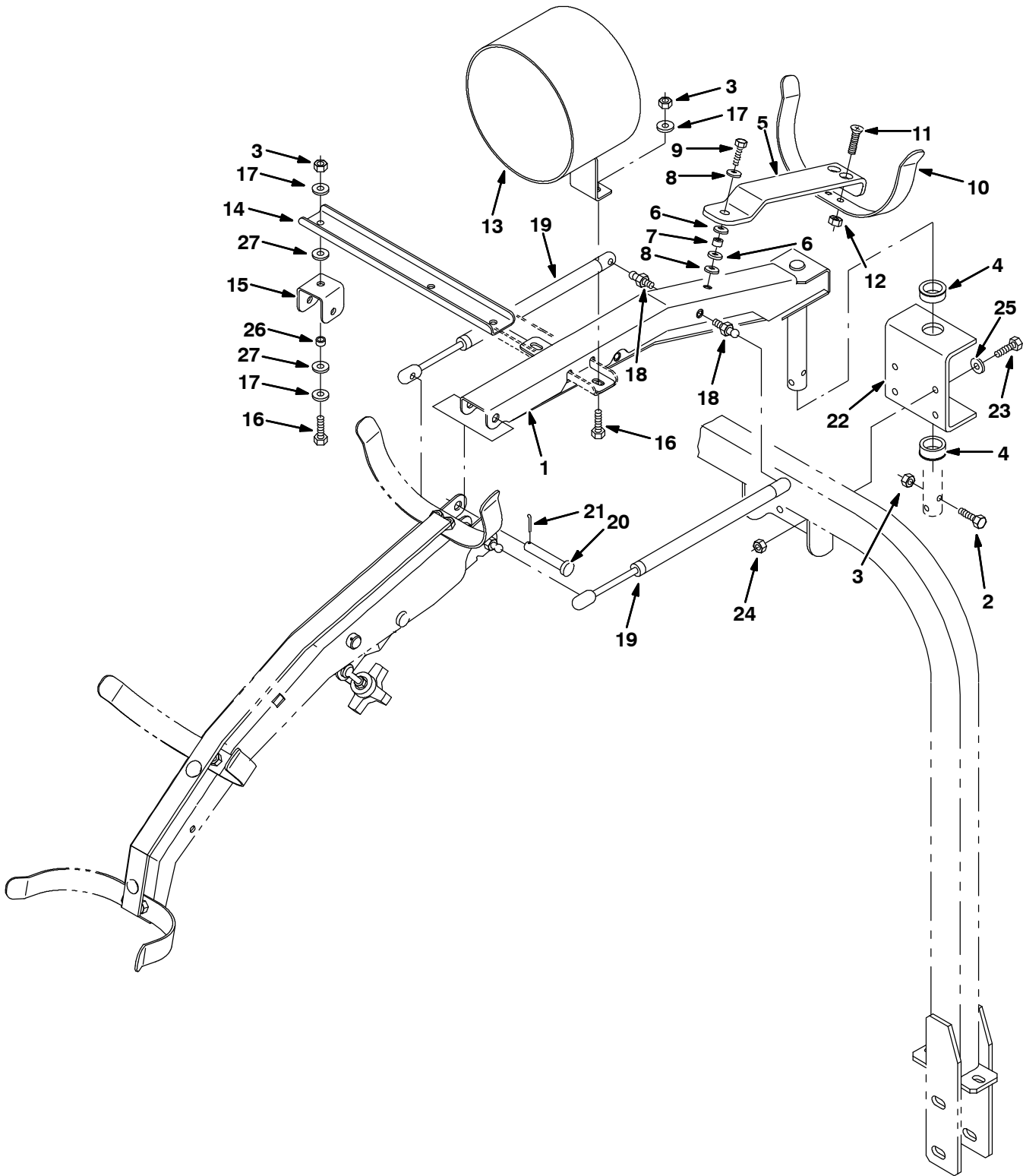


Fig. 31 - Rear Vacuum Support Arm Group

Ref.	Tennant Part No.	Machine Serial Number	Description	Qty.
1	367308	(000000-	) Plate, Wldt	1
2	41342	(000000-	) Screw, Hex, M08-1.25 X 40, 8.8	1
3	08709	(000000-	) Nut, Hex, Lock, M08-1.25,NI	3
4	367313	(000000-	) Bearing, Flange, 16F Du 08	2
5	367546	(000000-	) Plate, Bent Pivot	1
6	89710	(000000-	) Washer, Nylon	2
7	222516	(000000-	) Sleeve	1
8	01685	(000000-	) Washer, Flat, .31 Ss	2
9	12333	(000000-	) Screw, Hex, M08-1.25 X 25, Ss	1
10	367218	(000000-	) Plate, Bent, Hose Guide	1
11	32129	(000000-	) Screw, Flat, M08-1.25X 20,10.9	2
12	08713	(000000-	) Nut, Hex, Lock, M08-1.25,NI,Ss	2
13	367703	(000000-	) Tube, Wldt	1
14	367301	(000000-	) Plate, Bracket, Wing	1
15	367302	(000000-	) Plate, Bent, Wing	1
16	09010	(000000-	) Screw, Hex, M8 X 1.25 X 25, Ss	3
17	01685	(000000-	) Washer, Flat, 0.31 Ss	4
18	58494	(000000-	) Stud, Ball, Gas Spring	2
19	84018	(000000-	) Spring, Gas 90 Lb 5.98 Spring	2
20	51103	(000000-	) Pin, Clevis	1
21	08182	(000000-	) Pin, Cotter	1
22	368666	(000000-	) Bracket, Mtg, Boom Pivot	1
23	76570	(000000-	) Screw, Hex, M8X1.25X30, 8.8	4
24	08709	(000000-	) Nut, Hex, Lock, M8X1.25, NI	4
25	32491	(000000-	) Washer, Flat, 0.31 Std	4
26	360801	(000000-	) Sleeve, P/M, 0.496d 0.318b 0.25l 430ss	1
27	89710	(000000-	) Washer, Flat, 0.51b 1.00d .03, Nyl	1

**Fig. 32 - Vacuum Wand Group**

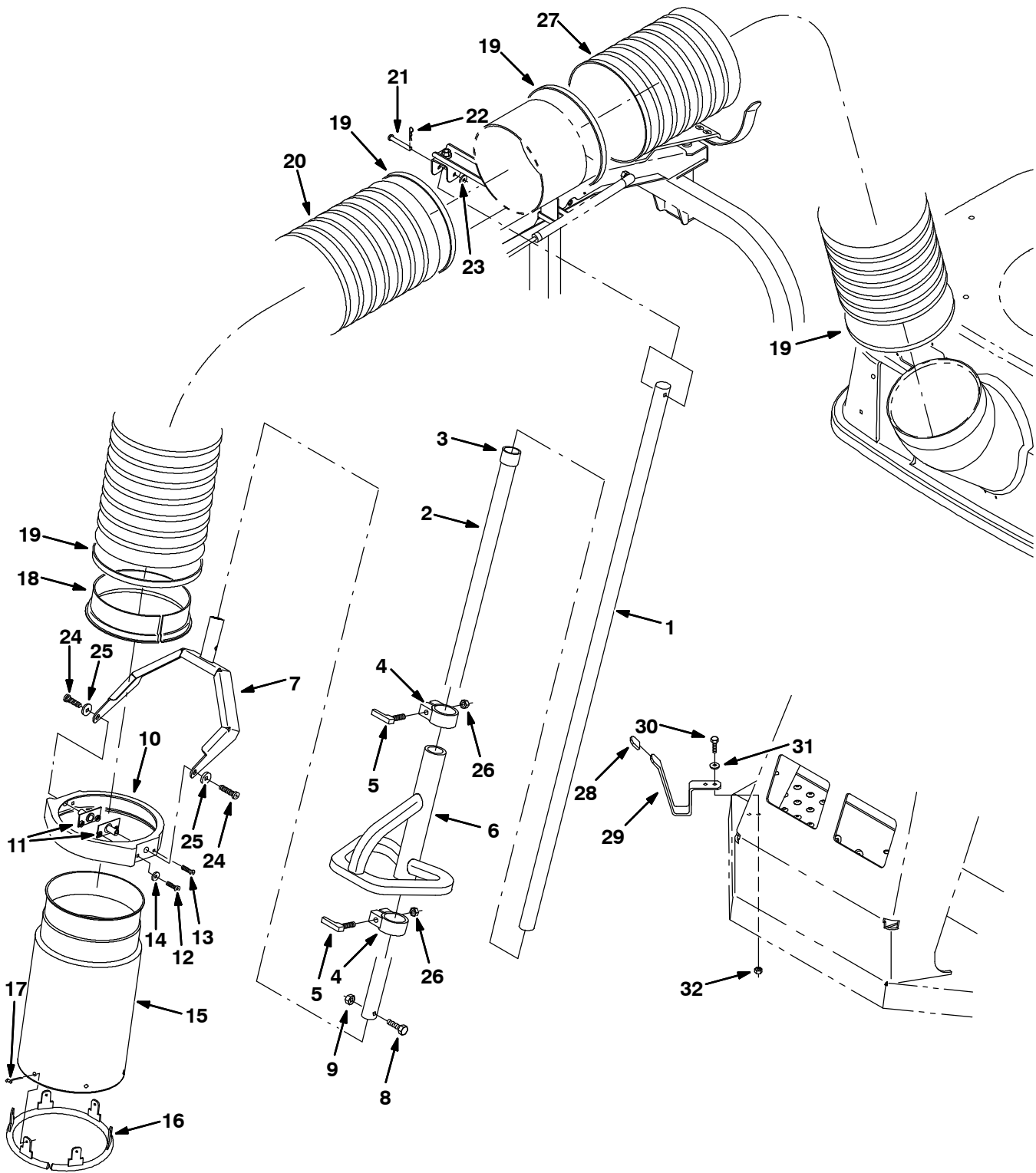


Fig. 32 - Vacuum Wand Group

Ref.	Tennant Part No.	Machine Serial Number	Description	Qty.
1	367306	(000000-	) Tube, Alum 1.12	1
2	367305	(000000-	) Tube, Alum 1.25 Dia	1
3	367487	(000000-	) Sleeve, Plastic	1
4	367716	(000000-	) Clamp, Handle	2
5	367717	(000000-	) Lever, Adjustable, Plastic	2
6	367485	(000000-	) Handle, Hose Arm	1
7	367309	(000000-	) Yoke	1
8	222505	(000000-	) Screw, Hex, M08-1.25, Ss	1
9	08709	(000000-	) Nut, Hex, Lock, M08-1.25,NI	1
10	367330	(000000-	) Ring, Slip, Plastic	1
11	367323	(000000-	) Plate, Mtg.	2
12	09200	(000000-	) Screw, Pan, M05-0.8 X 12, Ss	2
13	360826	(000000-	) Scr Flt M 5X0.8 12 See25574	2
14	01683	(000000-	) Washer, Flat, #10 Ss	2
▽	368150	(000000-	) Tube Assy, Vacuum Inlet	1
▲	15 367712	(000000-	) Tube, Hose End	1
▲	16 367961	(000000-	) Ring	1
▲	17 68567	(000000-	) Rivet, Pop	6
	18 367322	(000000-	) Ring, Plastic.Split	1
	19 367713	(000000-	) Clamp, Bridge	4
20	367312	(000000-	) Hose, Vacuum 8.0	1
21	29584	(000000-	) Pin, Clevis	1
22	44906	(000000-	) Pin, Hair Cotter	1
23	32491	(000000-	) Washer, Flat, .31 Hard	1
24	12275	(000000-	) Screw, Pan, M08-1.25X 20, NI	2
25	32491	(000000-	) Washer, Flat, .31 Hard	2
26	08712	(000000-	) Nut, Hex, Lock, M06-1.0, NI,Ss	2
27	367721	(000000-	) Hose, Vacuum	1
28	16447	(000000-	) Grip, Handle, Flat	1
29	367947	(000000-	) Hook, Hose	1
30	09007	(000000-	) Screw, Hex, M06-1.0 X 25, Ss	2
31	01684	(000000-	) Washer, Flat, .25 Ss	2
32	08708	(000000-	) Nut, Hex, Lock, M06-1.0, NI	2

Fig. 33 - Hydraulic Hose Group

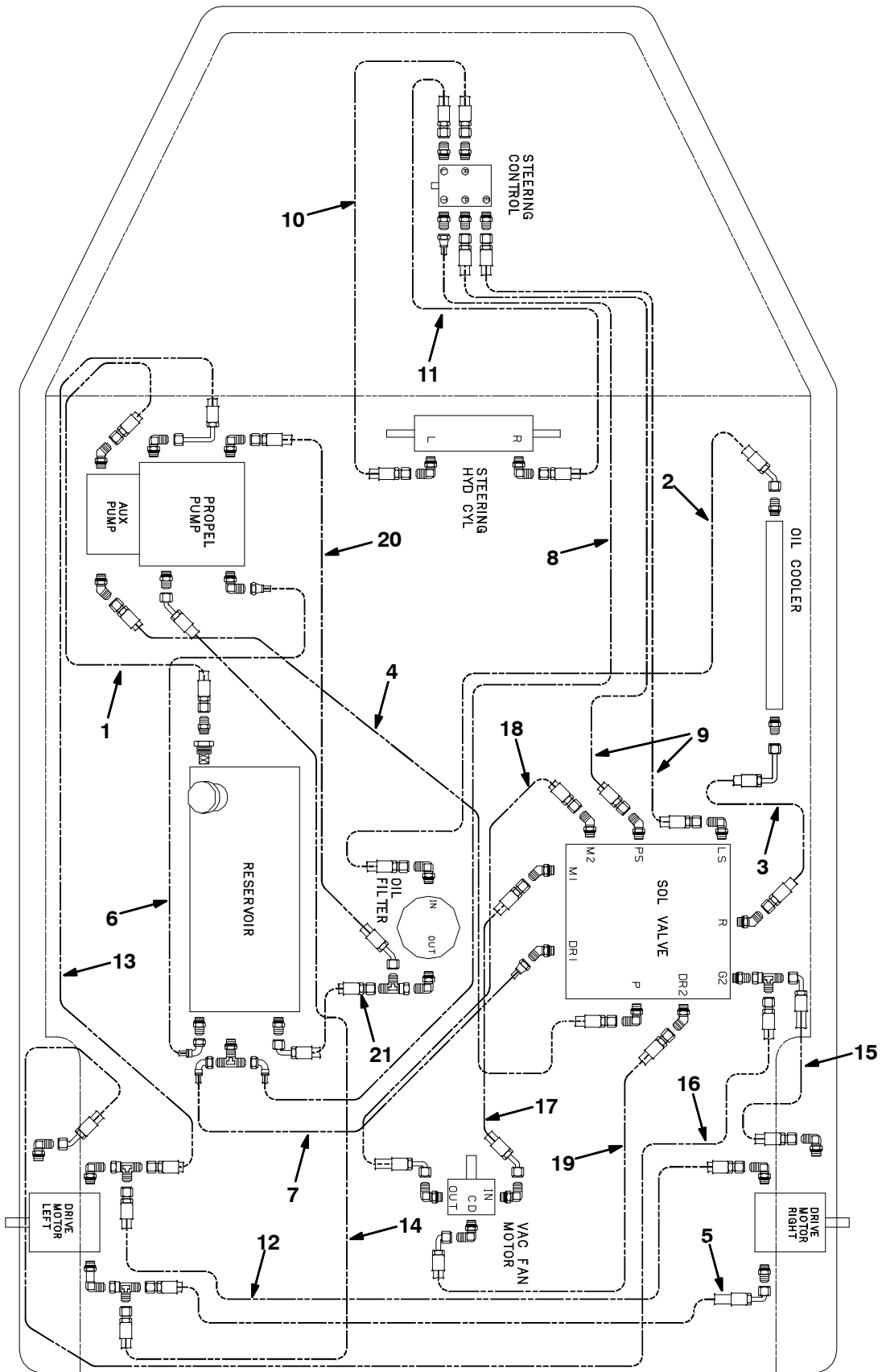
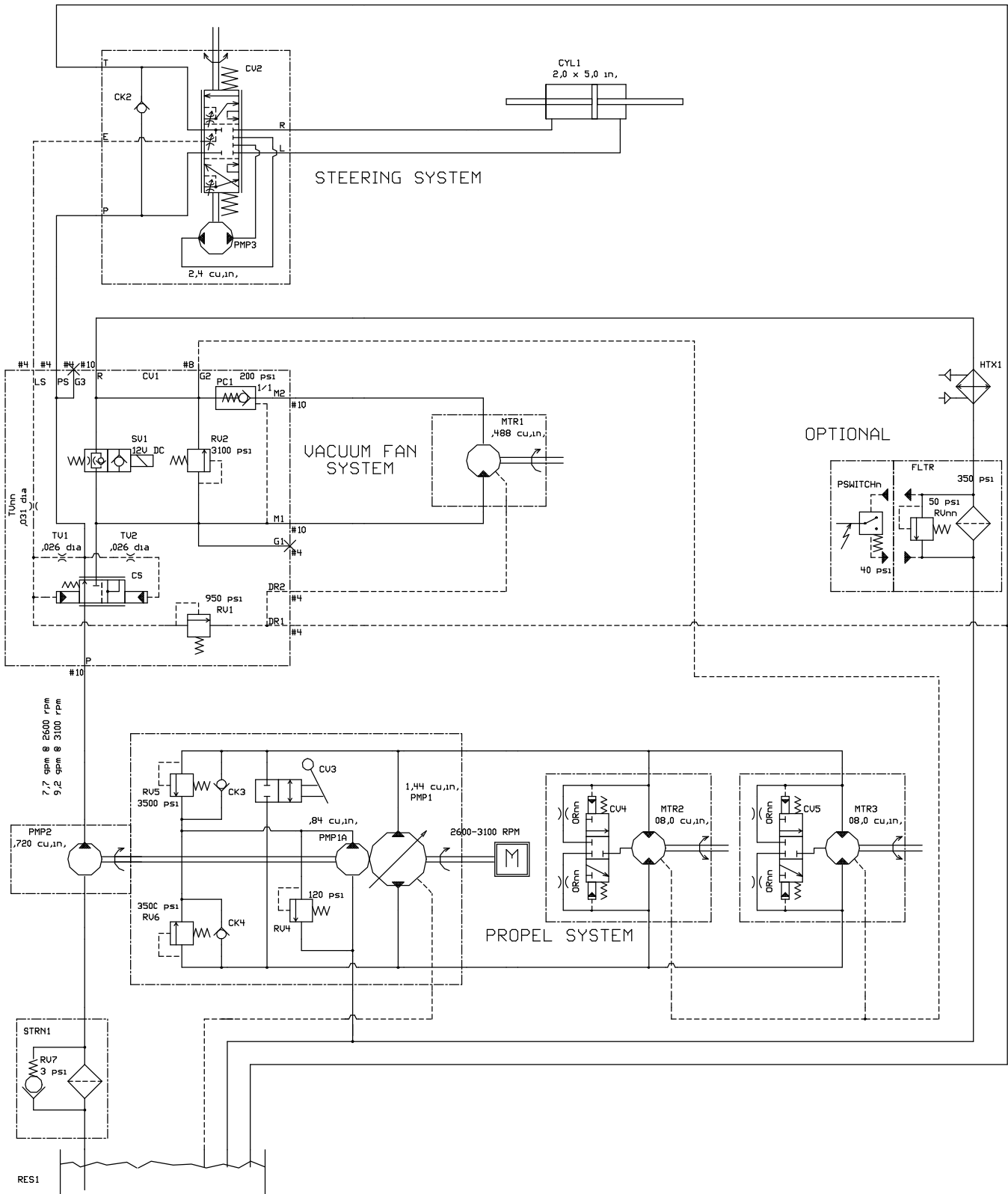




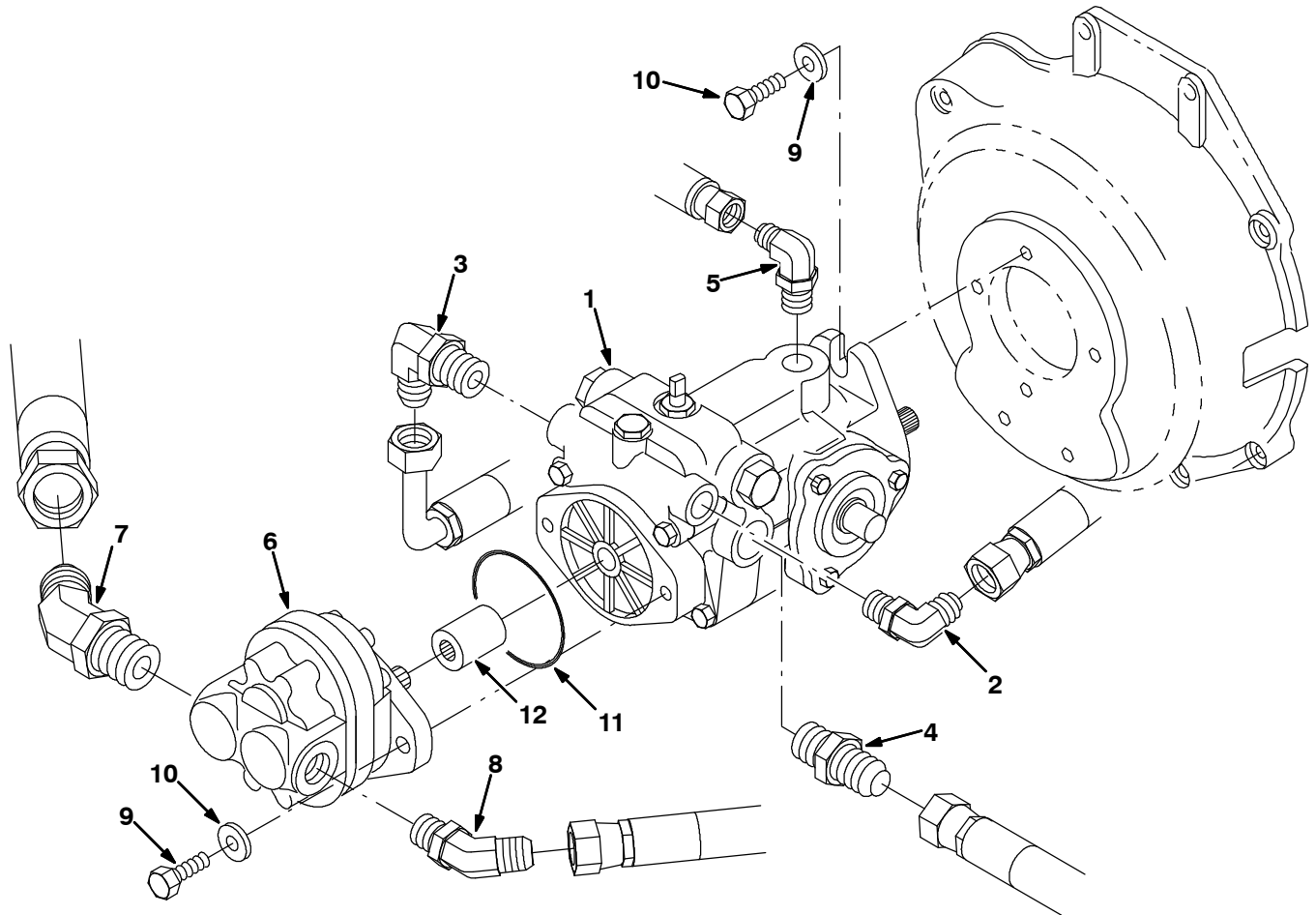
Fig. 33 - Hydraulic Hoses Group

Ref.	Tennant Part No.	Machine Serial Number	Description	Qty.
1	367110	(000000-	Hose, Hyd, Suc16, Jf16str/Jf16str, 033.0	1
2	9004823	(003017-	Hose, Hyd, Tc10, Jf10str/Jf10str, 052.0	1
2	367124	(000000-003016 )	Hose, Hyd, Tc10, Jf10e45/Jf10str, 048.0	1
3	9004822	(003017-	Hose, Hyd, Tc10, Jf10str/Jf10str, 032.0	1
3	367123	(000000-003016 )	Hose, Hyd, Tc10, Jf10e90/Jf10str, 032.0	1
4	367122	(000000-	Hose, Hyd, Tc10, Jf10str/Jf10str, 025.0	1
5	367125	(000000-	Hose, Hyd, Tc10, Jf10str/Jf10str, 018.0	1
6	71752	(000000-	Hose, Hyd, Low06, Jf06e90/Jf06str, 038.0	1
7	31602	(000000-	Hose, Hyd, Low04, Jf04e90/Jf04str, 030.0	1
8	367943	(000000-	Hose, Hyd, Low04, Jf04e90/Jf04str, 114.0	1
9	367112	(000000-	Hose, Hyd, Med04, Jf04str/Jf04str, 114.0	2
10	367113	(000000-	Hose, Hyd, Med04, Jf04str/Jf04str, 051.0	1
11	364993	(000000-	Hose, Hyd, Med04, Jf04str/Jf04str, 056.0	1
12	59563	(000000-	Hose, Hyd, Tc10, Jf10e90/Jf10str, 018.0	1
13	367116	(000000-	Hose, Hyd, Tc10, Jf10e90/Jf10str, 026.0	1
14	367117	(000000-	Hose, Hyd, Tc10, Jf10e45/Jf10str, 019.0	1
15	71745	(000000-	Hose, Hyd, Tc04, Jf04e90/Jf04str, 013.0	1
16	367944	(000000-	Hose, Hyd, Tc04, Jf04e45/Jf04str, 038.0	1
17	367120	(000000-	Hose, Hyd, Tc10, Jf10e45/Jf10str, 078.0	1
18	361050	(000000-	Hose, Hyd, Tc10, Jf10e90/Jf10str, 074.0	1
19	367119	(000000-	Hose, Hyd, Tc04, Jf04e90/Jf04str, 076.0	1
20	367942	(000000-	Hose, Hyd, Tc10, Jf10e45/Jf10str, 016.0	1
21	71744	(000000-	Hose, Hyd, Tc10, Jf10e90/Jf10str, 028.0	1

Fig. 34 - Hydraulic Schematic



**Fig. 35 - Hydraulic Pumps Group**



352273

**Fig. 35 - Hydraulic Pumps Group**

Ref.	Tennant Part No.	Machine Serial Number	Description	Qty.
1	367129	(000000-xxxxxx )	Pump, Hyd Piston (Repl. By 373399) (See Breakdowns)	1
1	373387	( xxxxxx-001895 )	Pump, Hyd Piston (Repl. By 373433) (See Breakdowns)	1
1	373425	(001896- )	Pump, Hyd Piston (See Breakdowns)	1
2	56827	(000000- )	Fitting, Hyd, Elbow	1
3	53076	(000000- )	Fitting, Hyd, Elbow	1
4	42223	(000000- )	Fitting, Hyd, Str	1
5	47512	(000000- )	Fitting, Hyd, Elbow	1
6	367107	(000000- )	Pump, Hyd Gear Ex1 0.72 R 3000 (See Breakdowns)	1
7	57479	(000000- )	Fitting, Hyd, Elbow	1
8	44936	(000000- )	Fitting, Hyd, Elbow	1
9	46559	(000000- )	Screw, Hex, .38-16 X 1.25, NI	4
10	32485	(000000- )	Washer, Flat, .38 Sae	4
11	65145-1	(000000- )	Seal, Oring	1
12	71721	(000000- )	Coupling	1

Fig. 36 - Hydraulic Pump Linkage Group

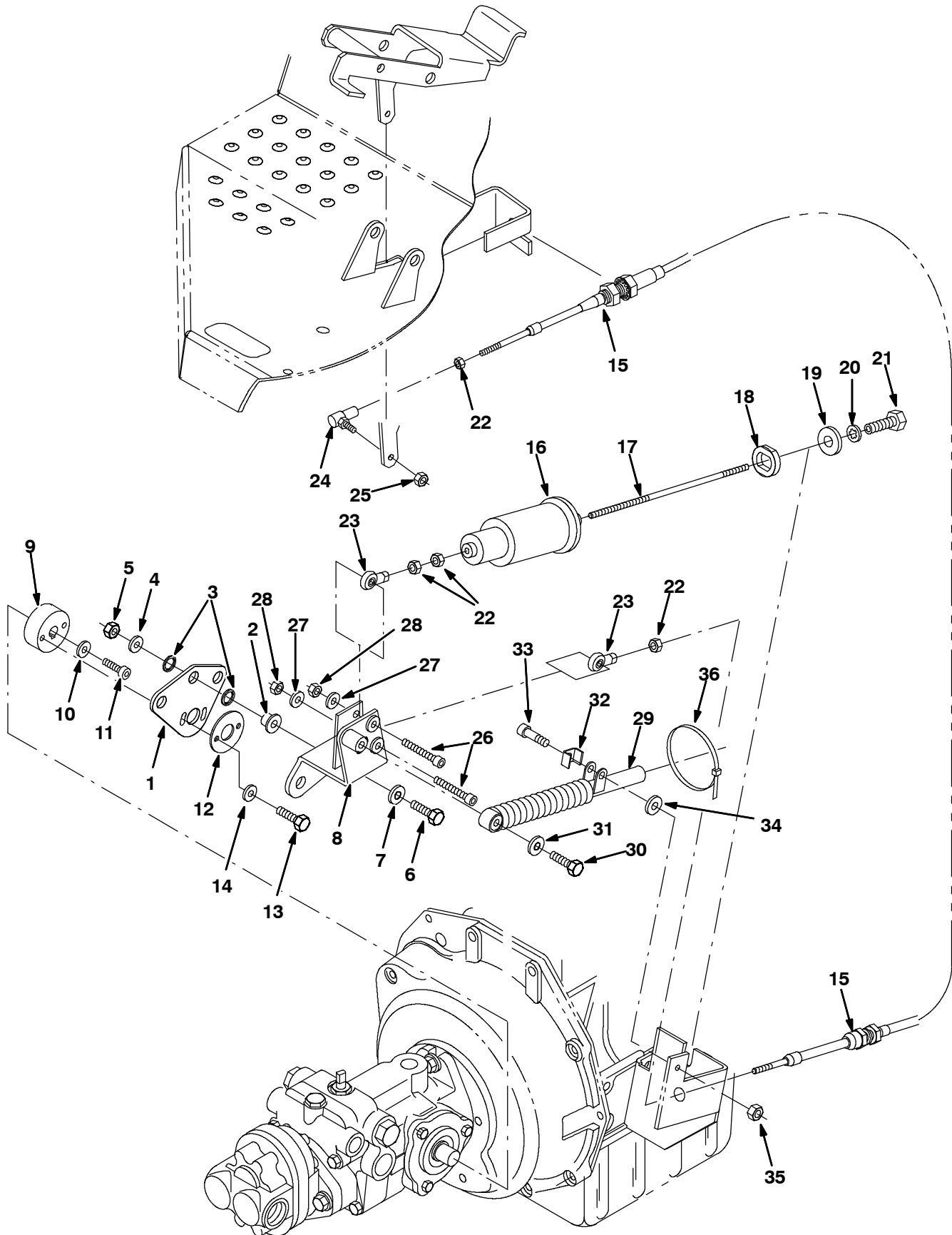


Fig. 36 - Hydraulic Pump Linkage Group

Ref.	Tennant Part No.	Machine Serial Number	Description	Qty.
1	368573	(000000-	) Arm, Propel, Lower	1
2	54274	(000000-	) Isolator, Vib, Bshg, 1.1d 0.6l .4b 0.78h	3
3	09832	(000000-	) Washer, Flat, 0.81b 1.06d .06, Stl	6
4	13248	(000000-	) Washer, Flat, 0.40b 1.12d .12, Stl, Pl	3
5	41430	(000000-	) Nut, Hex, Lock, M10 X 1.5, NI	3
6	39285	(000000-	) Screw, Hex, M10 X 1.50 X 40, 8.8	3
7	32492	(000000-	) Washer, Flat, 0.38, Std	3
8	368576	(000000-	) Lever Wldt, Propel [Atlv]	1
9	72728	(000000-	) Hub, Mtg, Arm, Cntrl, Pintle	1
10	364889	(000000-	) Washer, Flat, 0.33b 0.75d .18, Stl, Pl	1
11	39987	(000000-	) Screw, Soc, .31-24 X 0.75, Al	1
12	368410	(000000-	) Washer, Flat, 0.77b 2.00d .12, W/2 Hole	1
13	223163	(000000-	) Screw, Hex, M8 X 1.25 X 30, 8.8, NI	2
14	41186	(000000-	) Washer, Flat, Belleville, .31	2
15	367388	(000000-	) Cable, Push / Pull, 077.0l .25-28/.25-28	1
16	63292	(000000-	) Spring Assy, Centering, Lbs . Travel	1
17	382628	(000000-	) Rod, Thrd	1
18	382269	(000000-	) Spacer	1
19	15331	(000000-	) Washer, Flat, 0.62, Sae	1
20	32990	(000000-	) Washer, Lock, Int, 0.62	1
21	382511	(000000-	) Screw, Hex .62-18 X 0.75, Spcl	1
22	01714	(000000-	) Nut, Hex, Std, .25-28	4
23	68866	(000000-	) Rod-End, 0.25-28rh Fem 0.25b [Teflon]	2
24	14601	(000000-	) Balljoint, .25-28 Fem, .25-28 Mal	1
25	13513	(000000-	) Nut, Hex, Lock, .25-28, NI	1
26	368572	(000000-	) Screw, Soc, .25-20 X 2.25, Al	2
27	32490	(000000-	) Washer, Flat, 0.25, Std	2
28	32981	(000000-	) Nut, Hex, Lock, .25-20, NI	2
29	73411	(000000-	) Shock Absorber, 2.3 Strk	1
30	59658	(000000-	) Screw, Hex, M8 X 1.25 X 35, NI, Ss	1
31	39349	(000000-	) Washer, Flat, 0.31, Sae	1
32	84170	(000000-	) Bracket, Retainer, Safety	1
33	16213	(000000-	) Bolt, Shld, .31d X 1.00, .25-20	1
34	63416	(000000-	) Washer, Flat, 0.31b 0.88d .12, Rbr	1
35	75934	(000000-	) Nut, Hex, Lock, .25-20, NI	1
36	49266	(000000-	) Tie, Cable, Nyl, 07.3l .19w 1.8 Max D	1

Fig. 37 - Hydraulic Valve Group

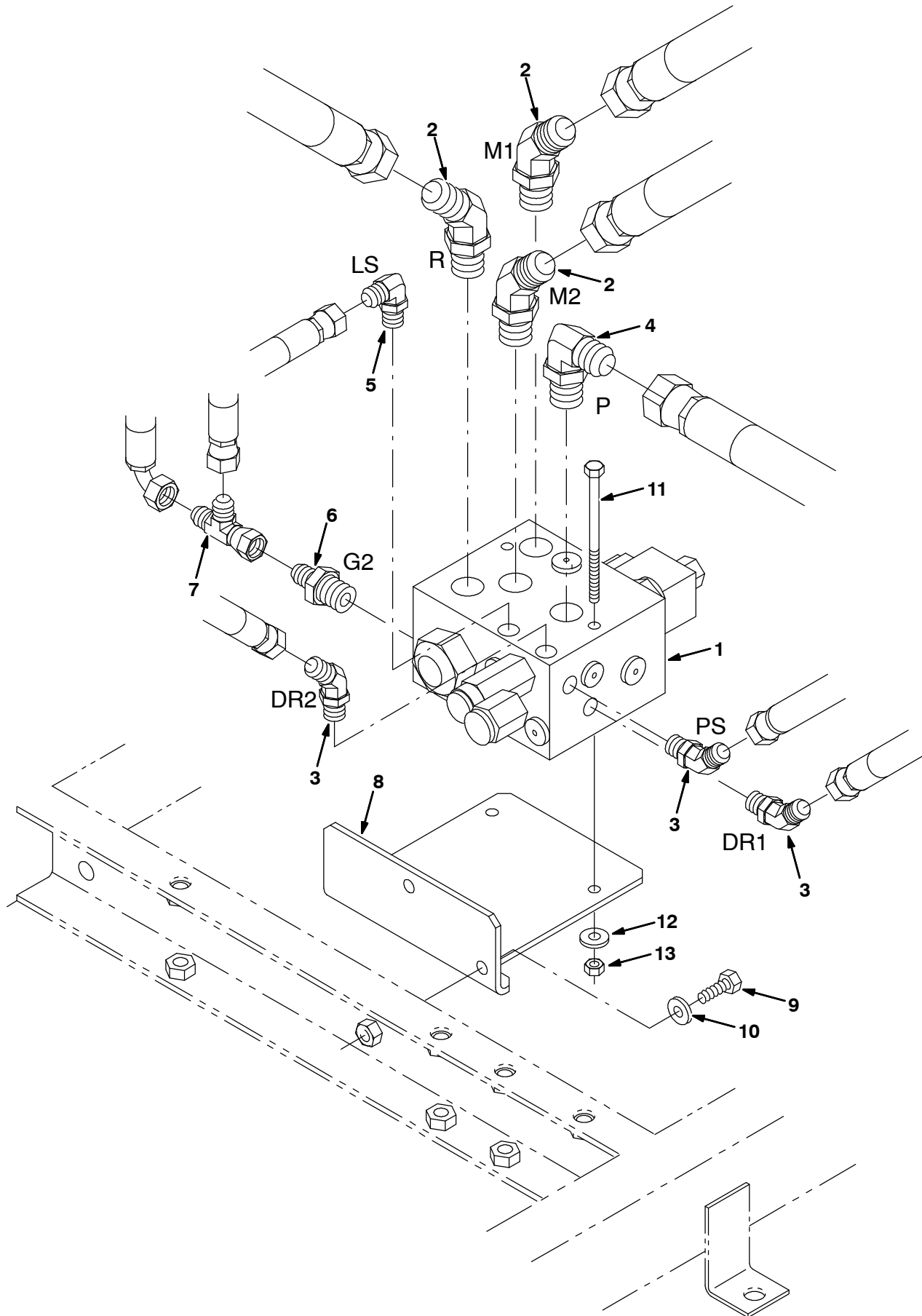


Fig. 37 - Hydraulic Valve Group

Ref.	Tennant Part No.	Machine Serial Number	Description	Qty.
1	1049639	(002989-	) Valve, Cntrl, Hyd, Solenoid, 12Vdc 10Gpm (See Breakdowns)	1
1	367106	(000000-002989	) Valve, Hyd Cntrl Sol (See Breakdowns) (Replaced by 1049639)	1
2	44936	(000000-	) Fitting, Hyd, Elbow	3
3	34359	(000000-	) Fitting, Hyd, Elbow	3
4	51782	(000000-	) Fitting, Hyd, Elbow	1
5	77097	(000000-	) Fitting, Hyd, Elbow	1
6	55686	(000000-	) Fitting, Hyd, Str	1
7	57988	(000000-	) Fitting, Hyd, Tee	1
8	367519	(000000-	) Bracket, Valve	1
9	16931	(000000-	) Screw, Hex, M08-1.25 X 20, 8.8	2
10	32491	(000000-	) Washer, Flat, .31 Hard	2
11	06952	(000000-	) Scr Hex M 6X1.0 90	2
12	32490	(000000-	) Washer, Flat, .25 Hard	2
13	08708	(000000-	) Nut, Hex, Lock, M06-1.0, NI	2

Fig. 38 - Hydraulic Reservoir Group

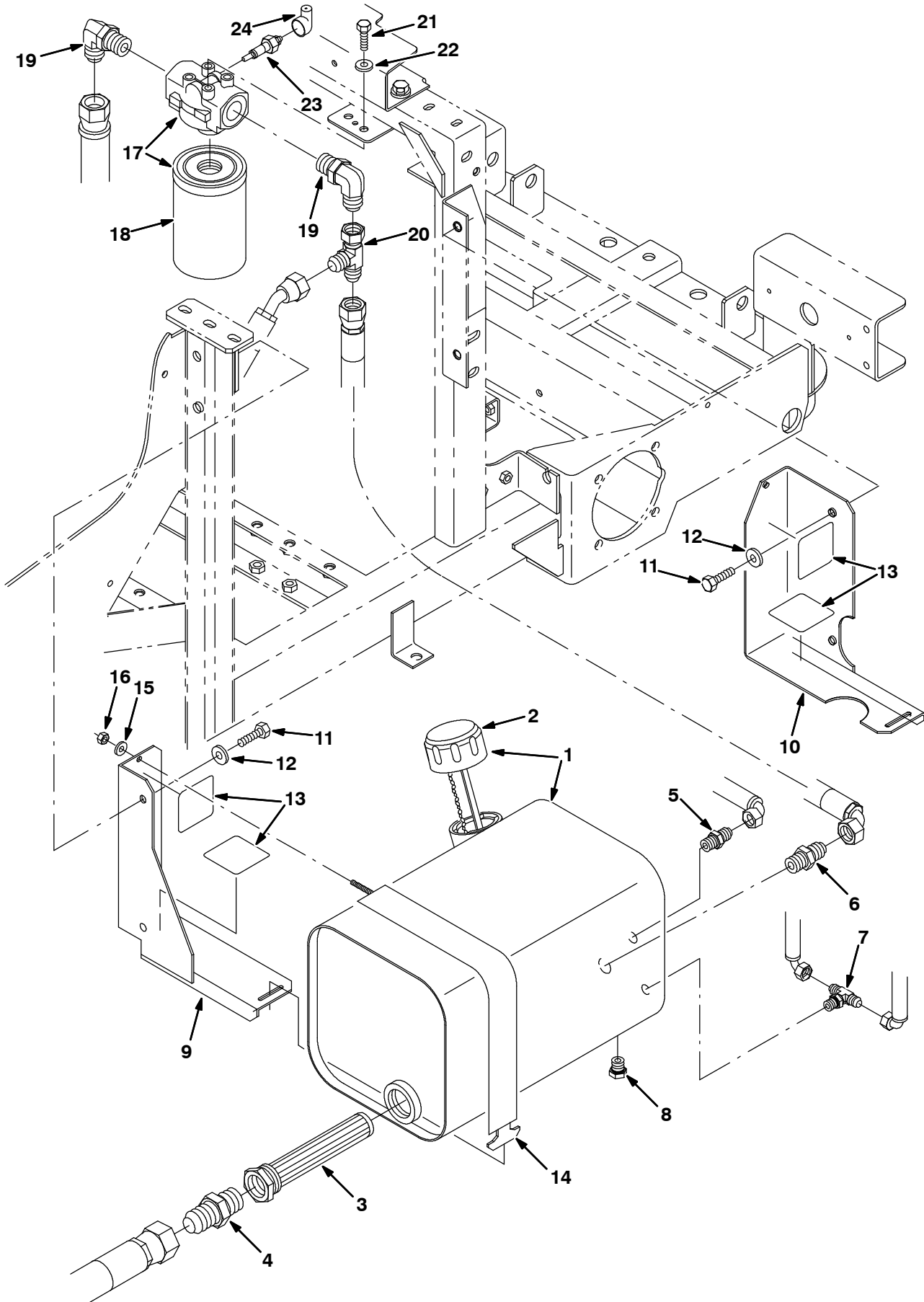




Fig. 38 - Hydraulic Reservoir Group

	Ref.	Tennant Part No.	Machine Serial Number	Description	Qty.
▽	1	367069	(000000-	) Reservoir Assy, Hyd w/Label	1
▲	2	367079	(000000-	) Breather, Hyd Cap, 3.6Ds Chain	1
	3	82784	(000000-	) Strainer-Hyd Suction 25 100 03	1
	4	52929	(000000-	) Fitting, Hyd, Str	1
	5	56690	(000000-	) Fitting, Hyd, Str	1
	6	46480	(000000-	) Fitting, Hyd, Str	1
	7	31599	(000000-	) Fitting, Hyd, Tee	1
	8	40362	(000000-	) Fitting, Hyd, Plug	1
	9	367242	(000000-	) Angle, Reservoir, Lh	1
	10	367245	(000000-	) Angle, Reservoir, Rh	1
	11	39283	(000000-	) Screw, Hex, M10-1.5 X 25, 8.8	4
	12	32492	(000000-	) Washer, Flat, .38 Hard	4
	13	360959	(000000-	) Seal, Flywheel	4
	14	367247	(000000-	) Strap, Hyd. Reservoir	2
	15	32490	(000000-	) Washer, Flat, .25 Hard	2
	16	32981	(000000-	) Nut, Hex, Lock, .25-20, NI	2
▽	17	10664	(000000-	) Filter, Oil, Hyd	1
▲	18	65221	(000000-	) Element, Filter	1
	19	53076	(000000-	) Fitting, Hyd, Elbow	2
	20	51779	(000000-	) Fitting, Hyd, Tee	1
	21	21195	(000000-	) Screw, Hex, .38-16 X 0.75, G5	2
	22	32485	(000000-	) Washer, Flat, .38 Sae	2
	23	65222	(000000-	) Send-Unit, Fltr, Hyd	1
	24	34065	(000000-	) Boot, 90Deg .69D .12D	1

Fig. 39 - Electrical Schematic

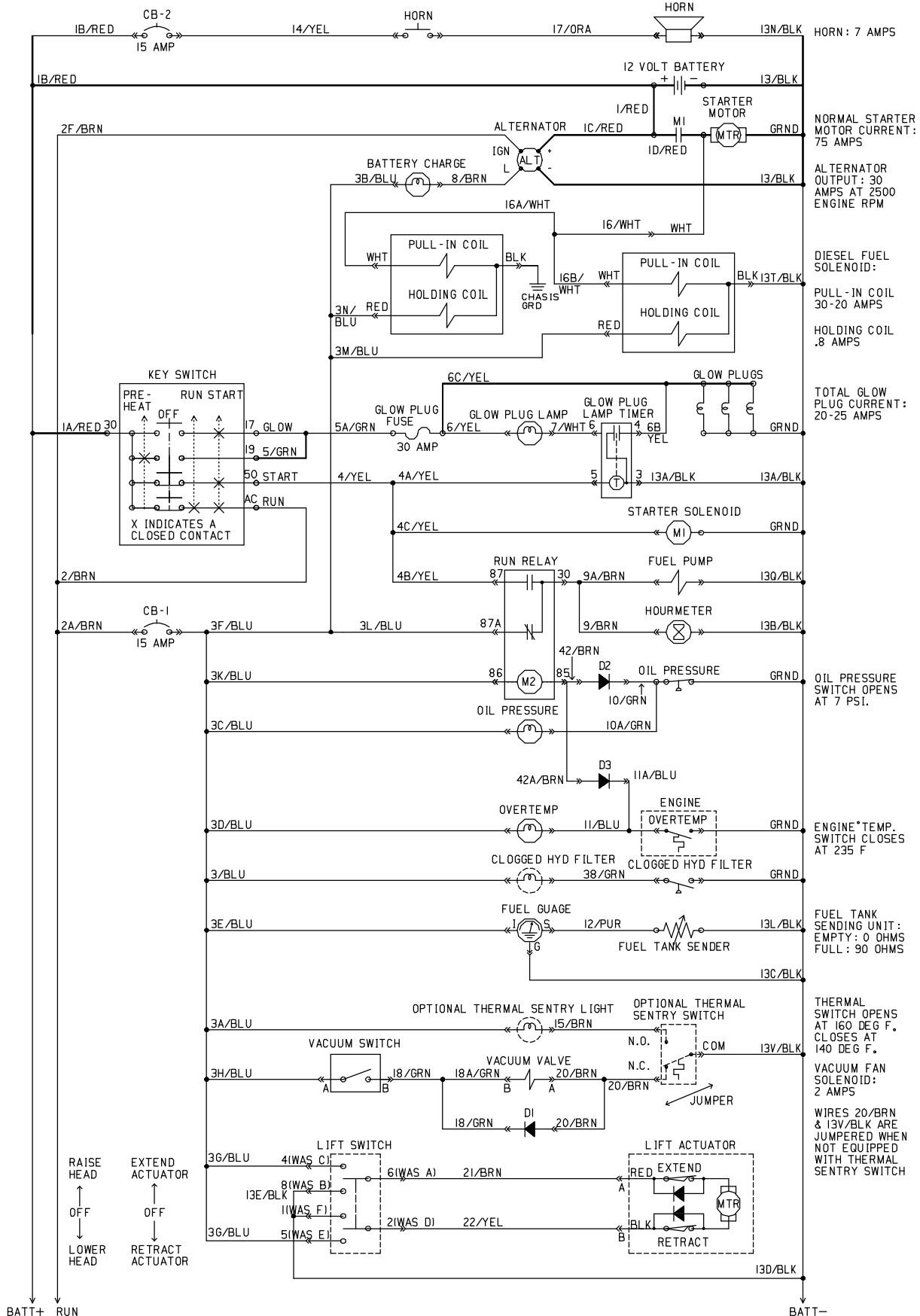


Fig. 39 - Electrical Schematic

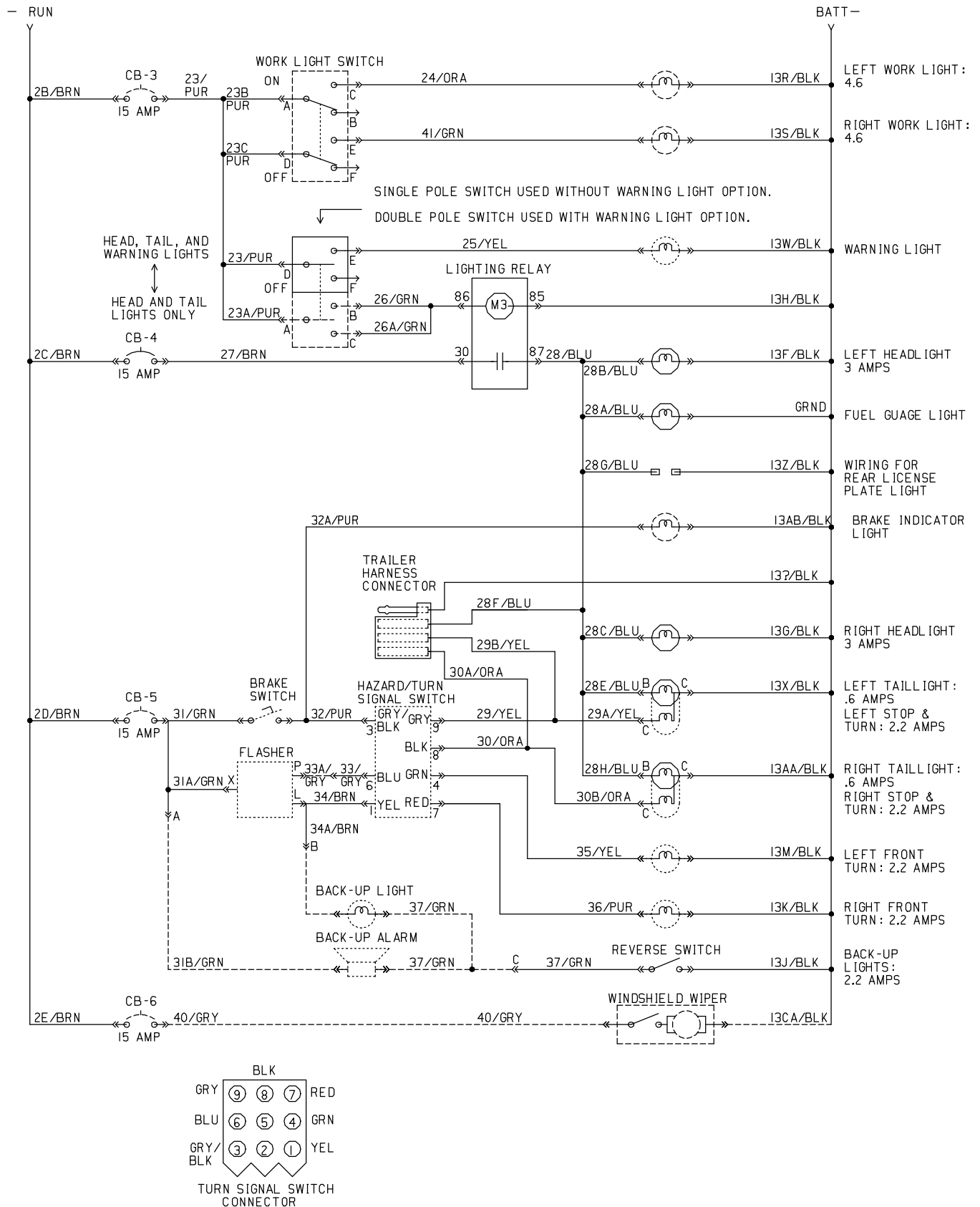


Fig. 40 - Wire Harness Group

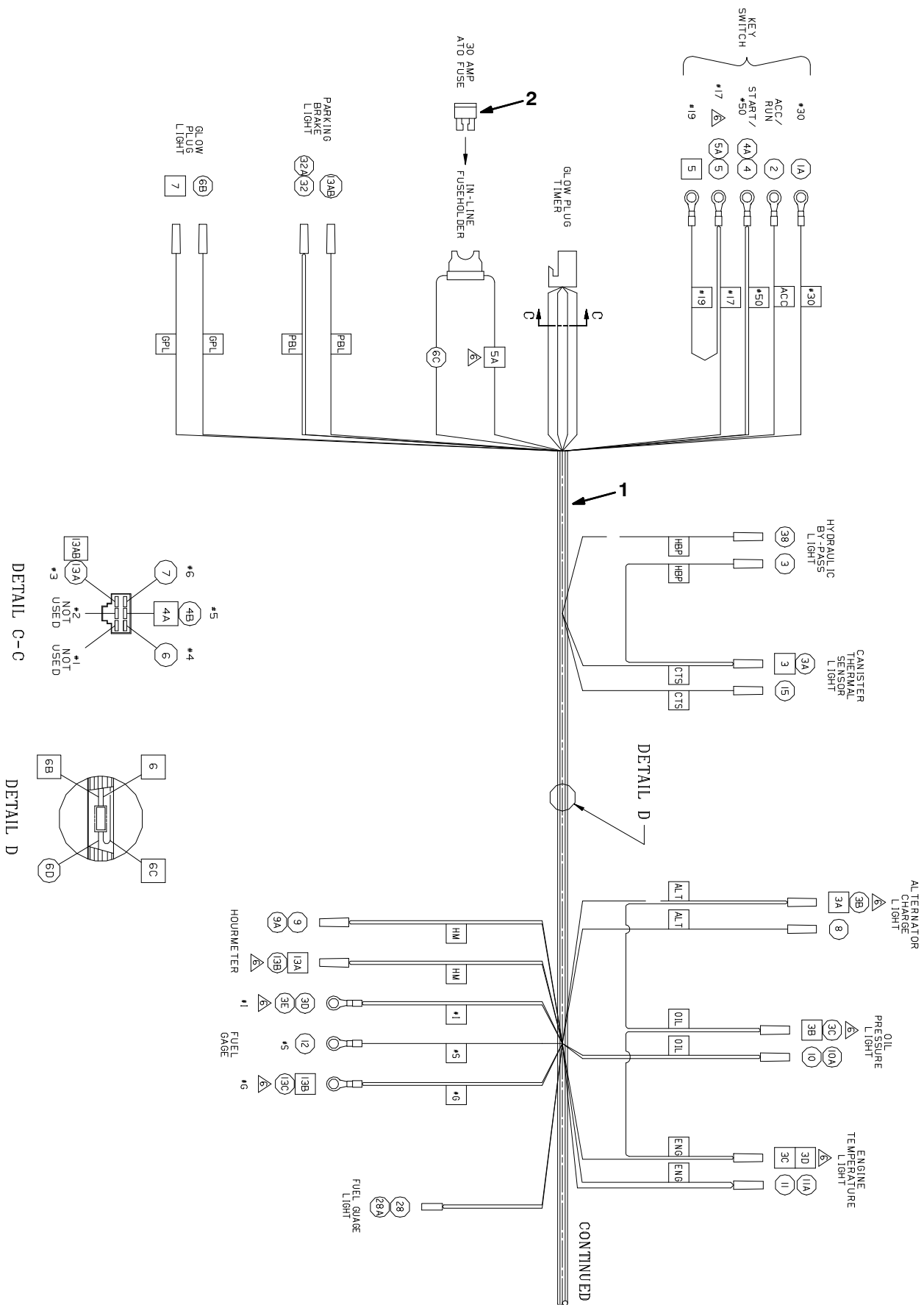


Fig. 40 - Wire Harness Group

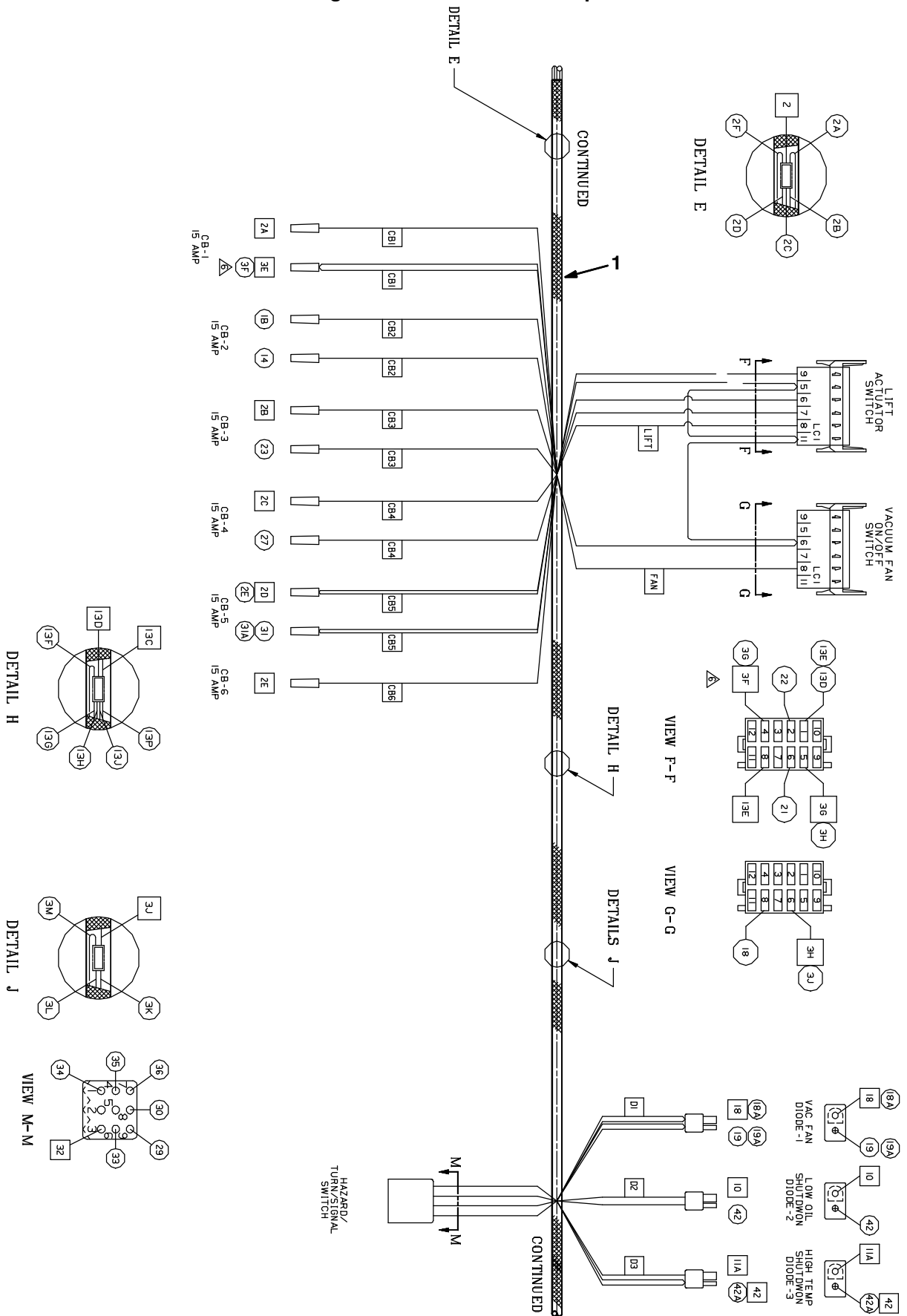


Fig. 40 - Wire Harness Group

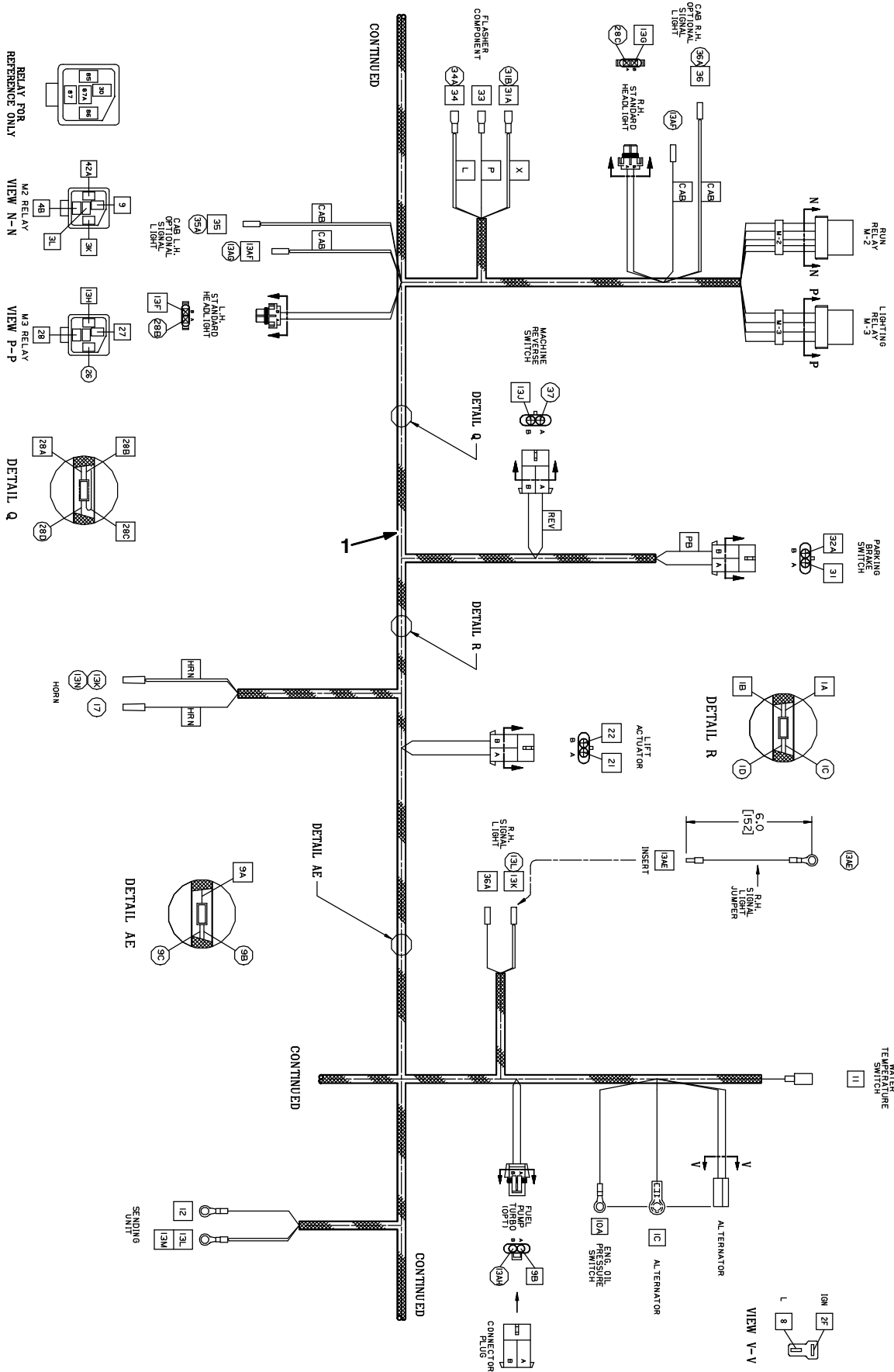


Fig. 40 - Wire Harness Group

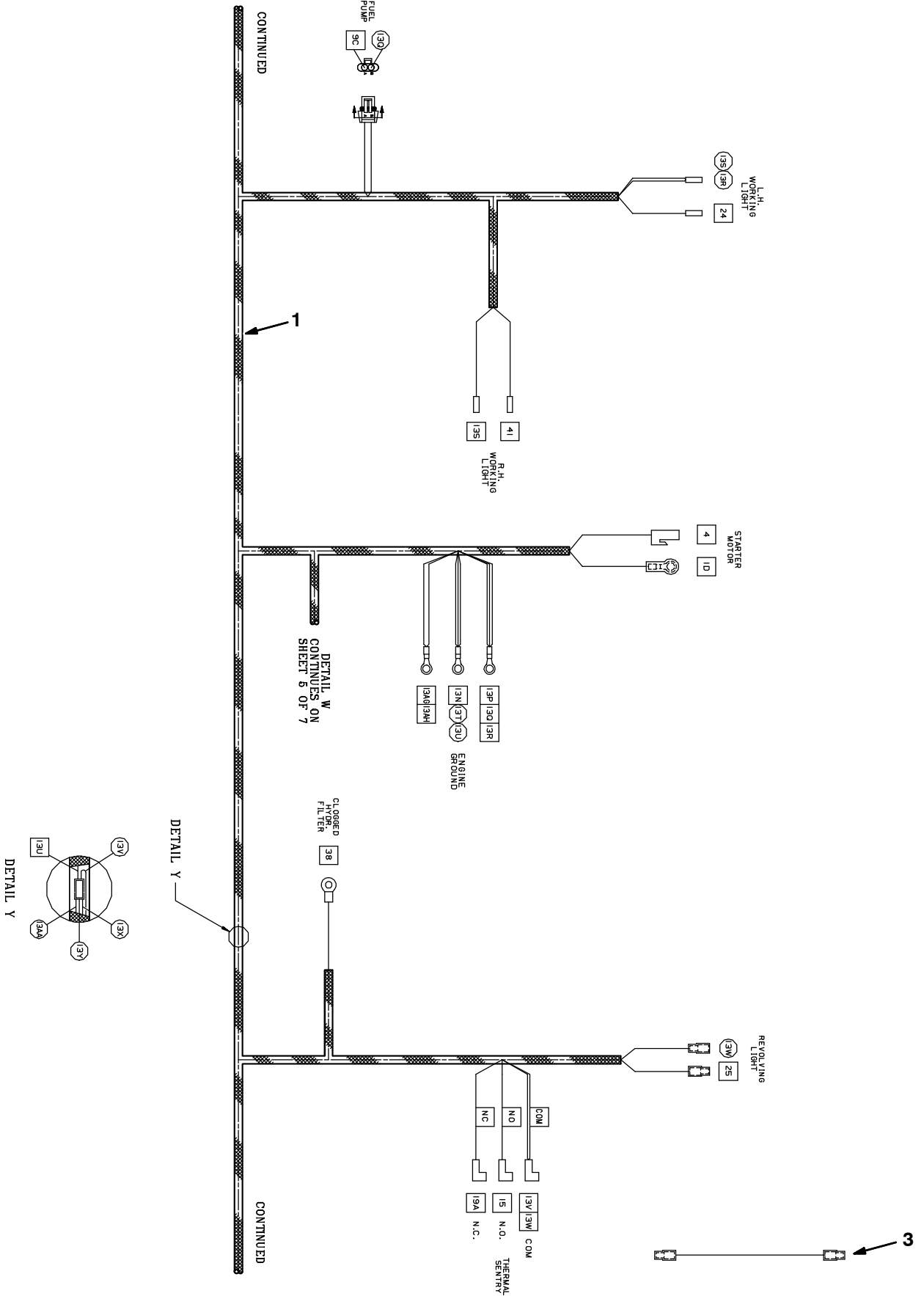
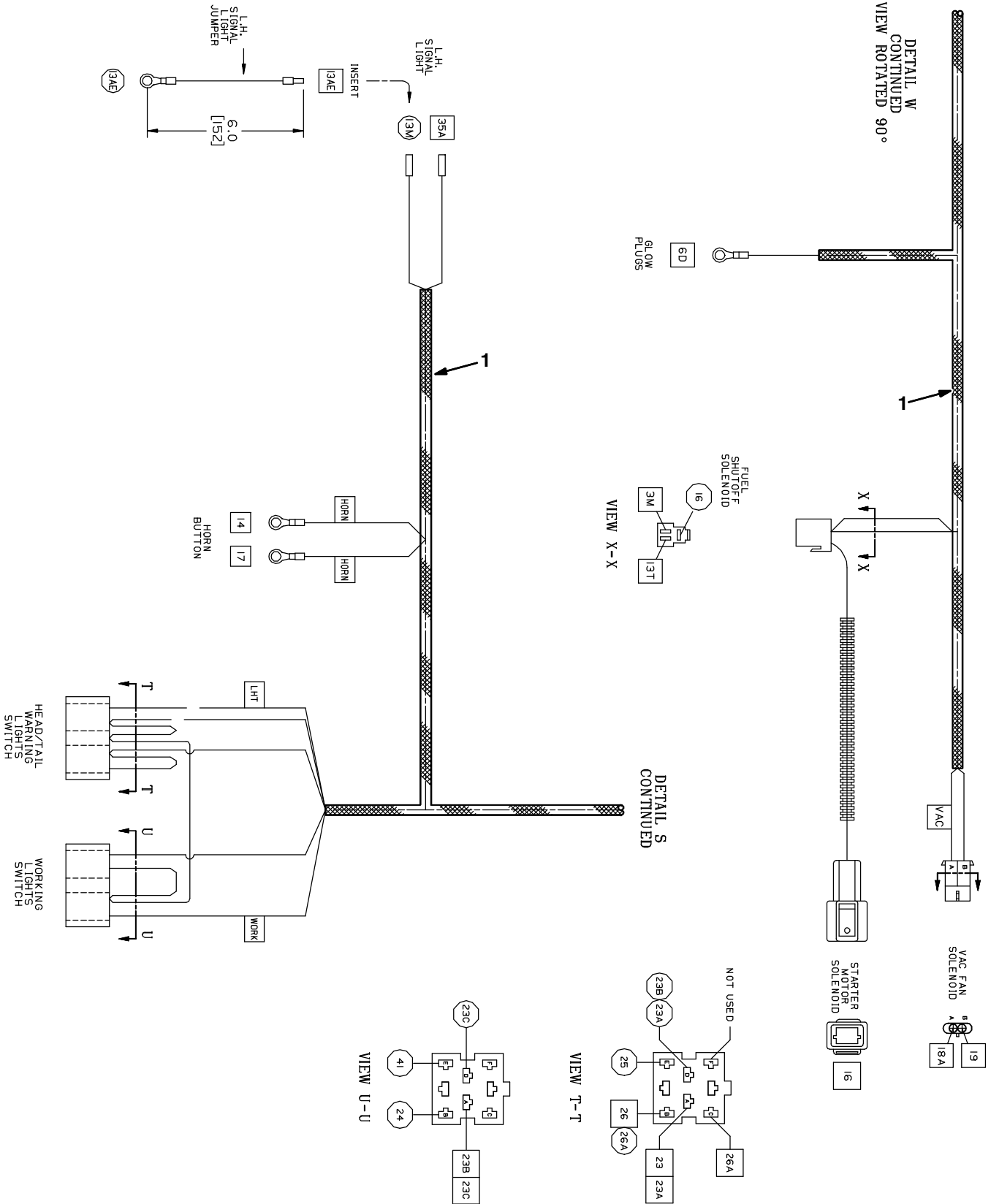


Fig. 40 - Wire Harness Group



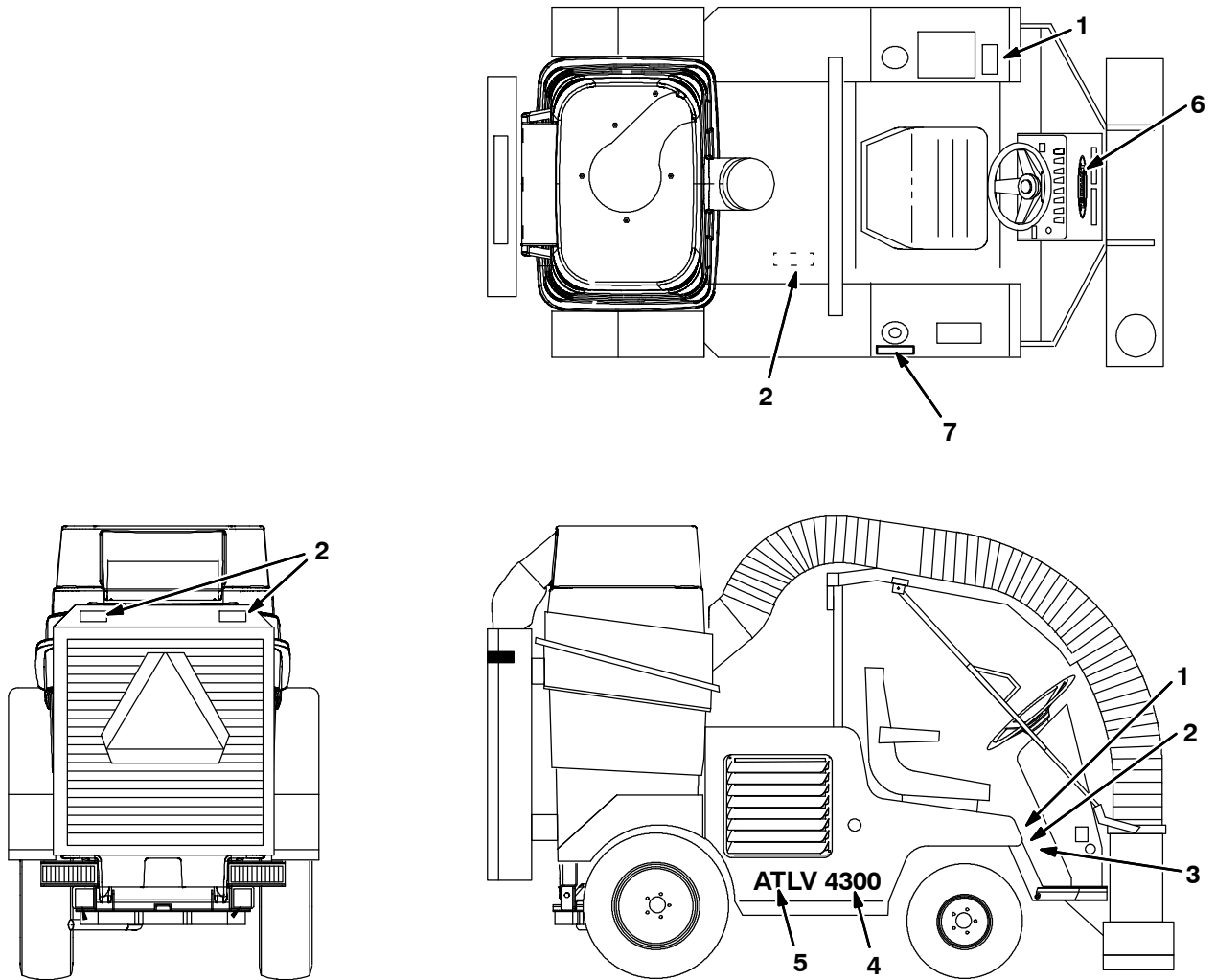




**Fig. 40 - Wire Harness Group**

	<b>Ref.</b>	<b>Tennant Part No.</b>	<b>Machine Serial Number</b>	<b>Description</b>	<b>Qty.</b>
▽	1	367400	(000000-001824 )	Harness, Wire, Main	1
▲	2	762516	(000000-001824 )	Fuse, Blade, 030A, 32Vdc	1
▽	1	368601	(001825-	) Harness, Main, Diesel, Atlv	1
▲	2	762516	(001825-	) Fuse, Blade, 030A, 32Vdc	1
	3	367407	(000000-	) Wire, 16Ga 05.0L White .25Qm /.25mr (Used Without Thermal Sentry)	1

Fig. 41 - Label Group



Ref.	Tennant Part No.	Machine Serial Number	Description	Qty.
1	367445	(000000-001824 )	Label Kit, Operational	1
1	368600	(001825-	Label Kit, Operational	1
2	367741	(000000-	Label Kit, Hazard	1
3	08886	(000000-	Label, Warning-Noise	1
4	367665	(000000-	Label, Numerals 4300	2
5	367663	(000000-	Label, Letter	2
6	86877	(000000-	Label, Tennant Logo	1
7	59767	(000000-	Label Set, Info/Hzrd [Multi-Mach]	1



# SECTION 3

<b>Contents</b>	<b>Page</b>
Fig. 1 - Road Package Kit .....	3-2
Fig. 2 - Backup Alarm Kit .....	3-4
Fig. 3 - Work Light Kit .....	3-6
Fig. 4 - Revolving Light Kit .....	3-8
Fig. 5 - High Temperature Engine Shutdown Kit .....	3-10
Fig. 6 - Tool Box Kit .....	3-12
Fig. 7 - Suspension Seat Kit .....	3-14
Fig. 8 - Liner Kit .....	3-15
Fig. 9 - Fire Extinguisher Kit .....	3-16
Fig. 10 - Fire Protection Kit .....	3-17
Fig. 11 - Trailer Hitch Kit .....	3-18
Fig. 12 - Foam Filled Tire Kit .....	3-19
Fig. 13 - Rear Traction Tire Kit .....	3-20
Fig. 14 - High Wear Wheel Kit .....	3-21
Fig. 15 - Broom Holder Kit .....	3-22
Fig. 16 - Protectoseal Fuel Tank Cap Group .....	3-23
Fig. 17 - Vacuum Head And Linkage Group .....	3-24
Fig. 18 - Vacuum Head And Linkage Group, Turf Skirt .....	3-26
Fig. 19 - Vacuum Head Lift .....	3-28
Fig. 20 - Vacuum Head Actuator .....	3-30
Fig. 21 - Vacuum Wand Hose Group .....	3-32
Fig. 22 - Vacuum Wand Handle Group .....	3-34
Fig. 23 - Dust Filter Housing Group (Serial Number 000000-001535) .....	3-36
Fig. 24 - Dust Filter Bag Group (Serial Number 000000-001535) .....	3-38
Fig. 25 - Dust Filter Housing Group (Serial Number 001536- ) .....	3-40
Fig. 26 - Dust Filter Bag Group (Serial Number 001536- ) .....	3-42
Fig. 27 - Dust Bag Kit .....	3-44
Fig. 28 - Water Dust Control Tank Group ..	3-46
Fig. 29 - Water Dust Control Pump Group .	3-48
Fig. 30 - Water Dust Control Wire Harness Group .....	3-50
Fig. 31 - Water Dust Control Electrical Schematic .....	3-52
Fig. 32 - Transport Kit .....	3-53
Fig. 33 - Fenceline Kit .....	3-54
Fig. 34 - Open Cab Kit .....	3-56
Fig. 35 - Turbo Engine Group .....	3-58
Fig. 36 - Turbo Air Cleaner (000000-003016) .....	3-60
Fig. 37 - Turbo Air Cleaner (003017- ) .....	3-62
Fig. 38 - Turbo Fuel Tank Group .....	3-64
Fig. 39 - Documentation Group .....	3-66

Fig. 1 - Road Package Kit

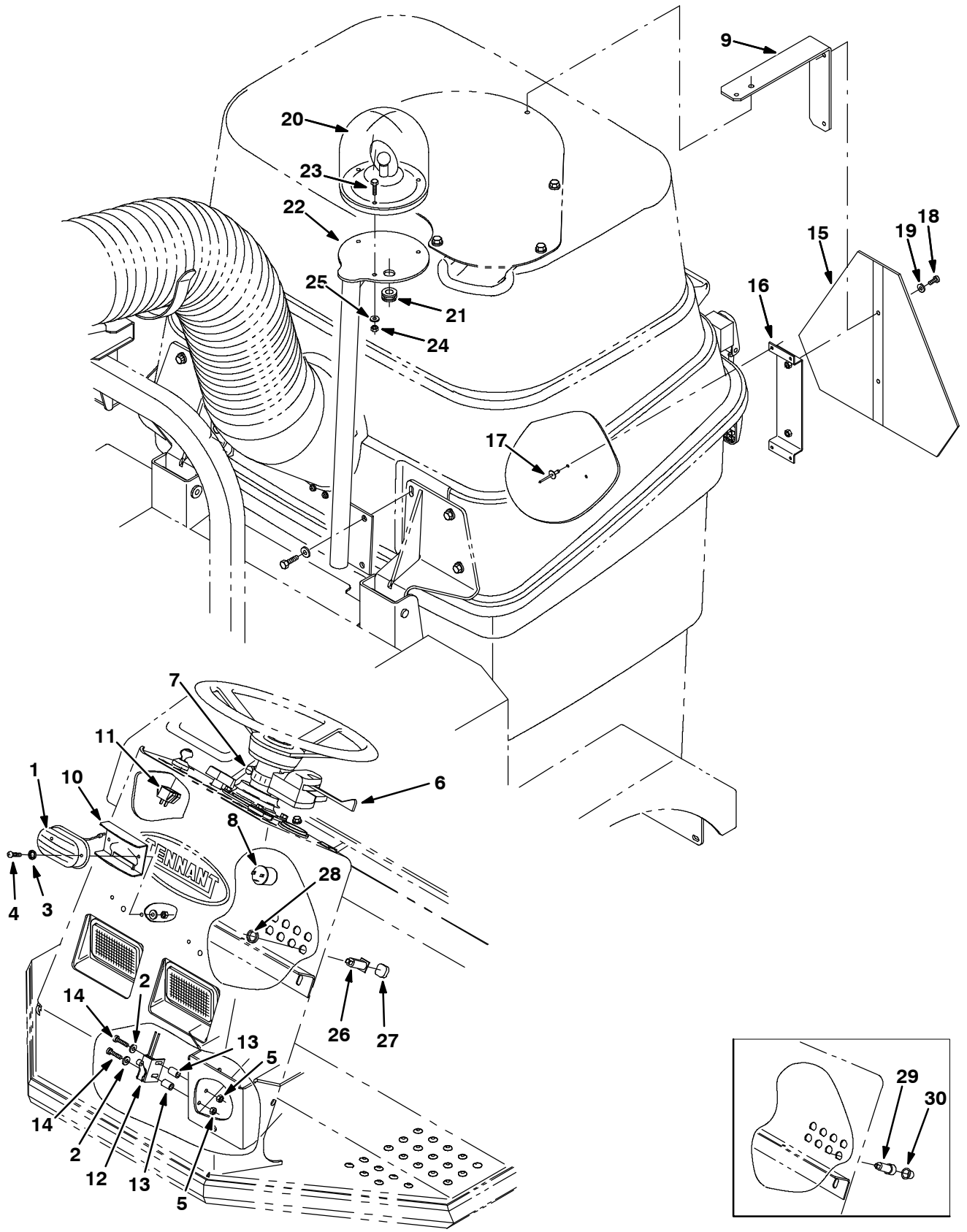


Fig. 1 - Road Package Kit

Ref.	Tennant Part No.	Machine Serial Number	Description	Qty.
▽	367605	(000000-	) Road Package Kit, 4300	1
▲▽	1 34848	(000000-	) Light Assy Mark/Yel 12V- . A	2
▲▲	87948	(000000-	) Lamp	1
▲	2 01683	(000000-	) Washer, Flat, #10 Ss	8
▲	3 07514	(000000-	) Washer, Lock, Int, #10, Ss	2
▲	4 24196	(000000-	) Screw, Pan, M05-0.8 X 20, Ss	4
▲	5 09739	(000000-	) Nut, Hex, Lock, M05-0.8, NI,Ss	6
▲	6 60751	(000000-	) Signal, Turn	1
▲	7 11531	(000000-	) Clamp, Wormdrive	1
▲	8 31922	(000000-	) Flasher	1
▲	9 368269	(000000-	) Bracket, Mtg, Smv Label (for Dust Filter kits)	2
▲	10 72178	(000000-	) Bracket, Light	2
▲	11 361075	(000000-	) Lamp, Indicator 12V	1
▲	12 367403	(000000-	) Switch, Roller	1
▲	13 360930	(000000-	) Sleeve	2
▲	14 17185	(000000-	) Screw, Pan, M05-0.8 X 40, Ss	2
▲	15 760980	(000000-	) Label, Slow Moving Vehicle	1
▲	16 367681	(000000-	) Bracket, Mtg, Smv Label	1
▲	17 68567	(000000-	) Rivet, Pop	4
▲	18 09145	(000000-	) Screw, Pan, M06-1.0 X 16, 4.8	2
▲	19 32490	(000000-	) Washer, Flat, .25 Hard	2
▲▽	20 768598	(000000-	) Lamp Assy, Rotating, Halogen,	1
▲▲	768605	(000000-	) Lamp, Halogen H1 12V 55W	1
▲▲	367946	(000000-	) Lense, Rev, Amber	1
▲	21 10632-9	(000000-	) Grommet, Rubber	1
▲	22 367765	(000000-	) Bracket Assy, Light Mtg	1
▲	23 12316	(000000-	) Screw, Hex, M05-0.8 X 25, Ss	3
▲	24 07784	(000000-	) Nut, Hex, M05-0.8, Ss	3
▲	25 01684	(000000-	) Washer, Flat, .25 Ss	3
▲	26 1045858	( xxxxxx-	) Circuitbreaker, 15A, Resetable	1
▲	27 1046173	( xxxxxx-	) Boot, Circuitbreaker	1
▲	28 1046176	( xxxxxx-	) Ring, Retaining, Circuitbreaker	1
	29 57751	(000000-xxxxxx	) Boot	1
	30 57803	(000000-xxxxxx	) Circuitbreaker, 15 A	1

Fig. 2 - Backup Alarm Kit

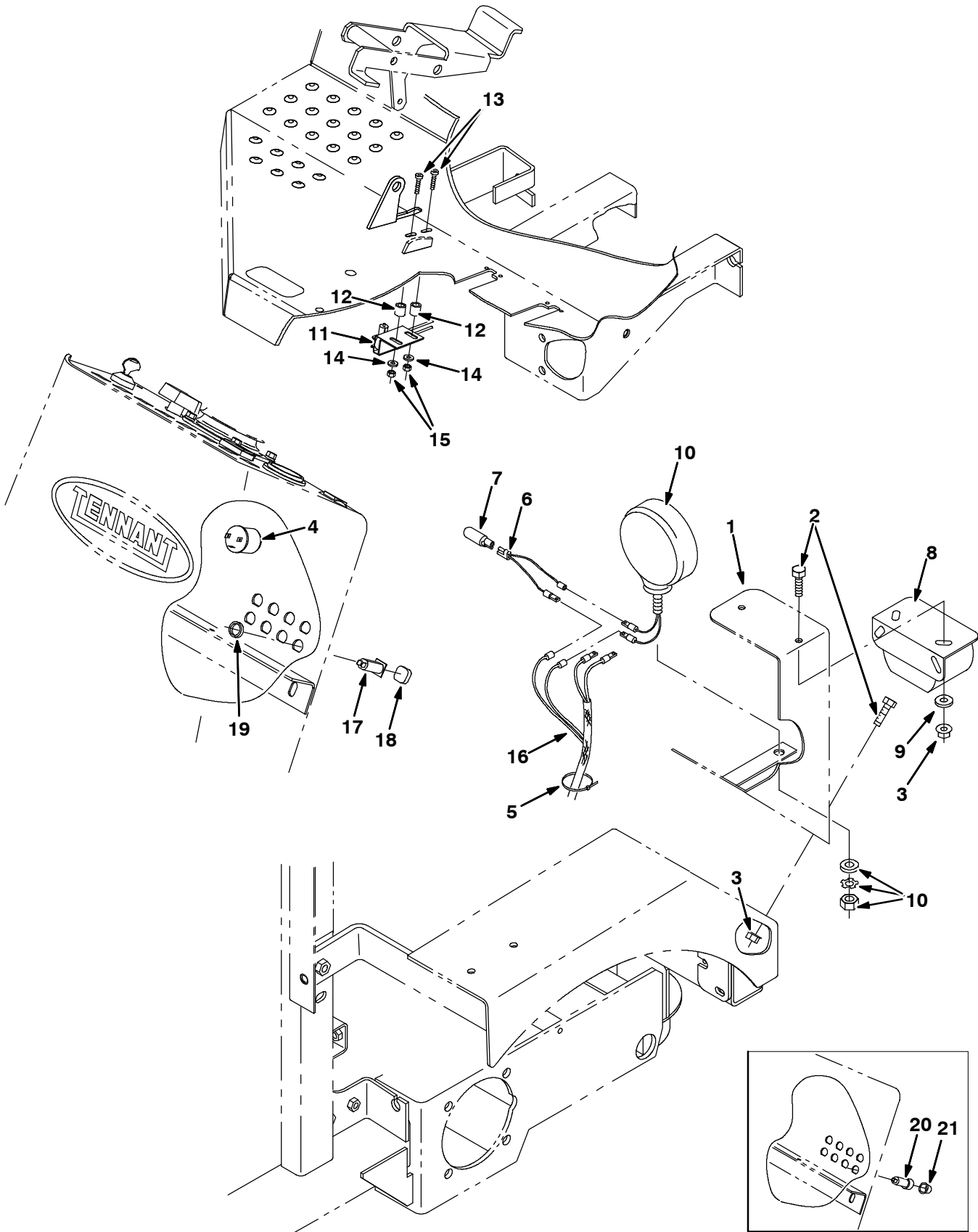
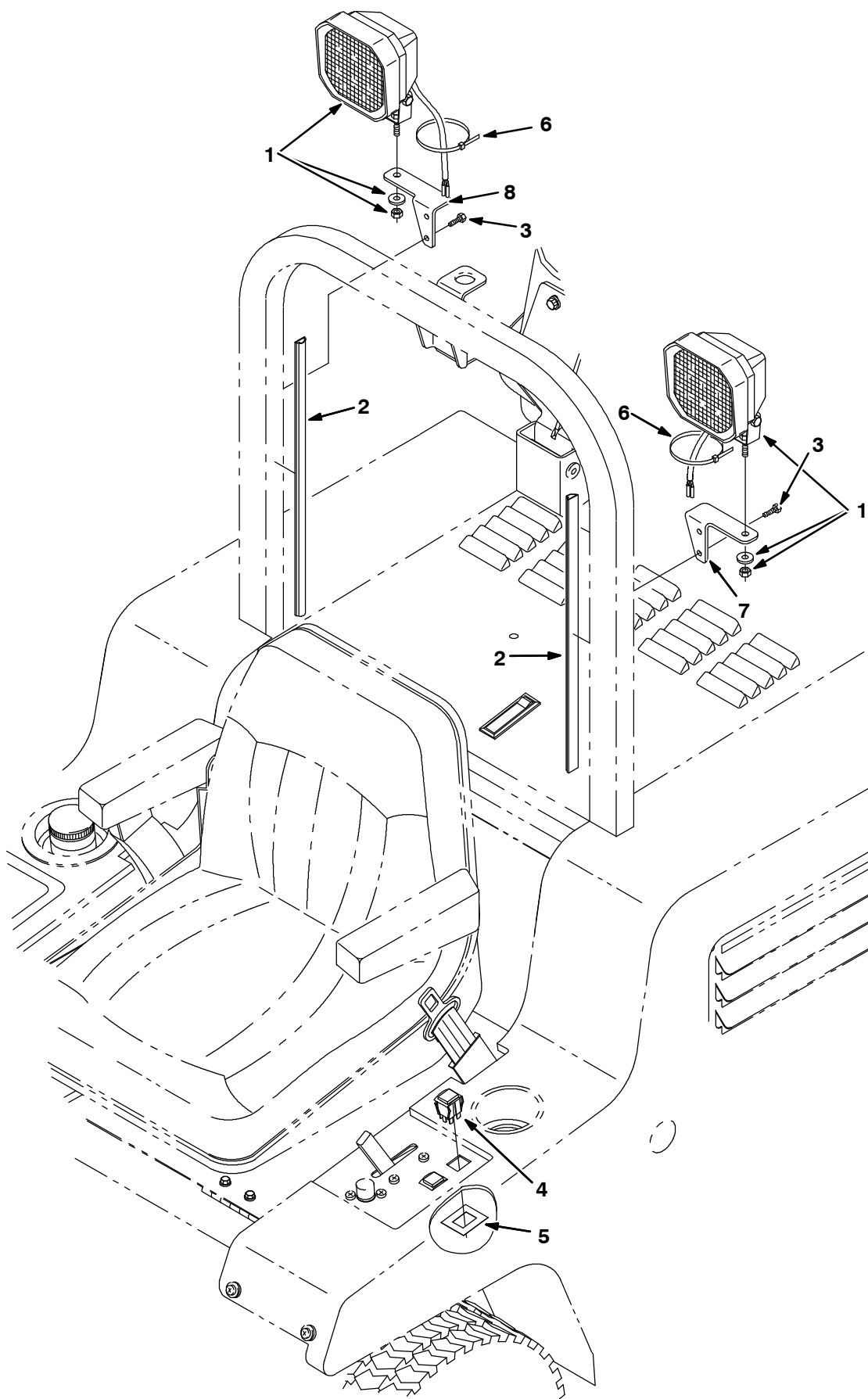




Fig. 2 - Backup Alarm Kit

Ref.	Tennant Part No.	Machine Serial Number	Description	Qty.
▽	368657	(000000-	) Kit, Cl, Backup Alarm, [Atlv]	1
▲	1 368652	(000000-	) Bracket, Mounting Alarm	1
▲	2 16931	(000000-	) Screw, Hex, M08-1.25 X 20, 8.8	5
▲	3 07791	(000000-	) Nut, Hex, Flange, M08-1.25	5
▲	4 31922	(000000-	) Flasher	1
▲	5 49266	(000000-	) Tie, Cable	3
▲	6 370156	(000000-	) Harness, Jumper	1
▲	7 222290	(000000-	) Diode, Electric Plug	1
▲▽	8 61923	(000000-	) Horn, Backup Alarm	1
▲▲	55272	(000000-	) Terminal, Snap Plug	2
▲	9 39349	(000000-	) Washer, Flat, .31 Sae	2
▲▽	10 36438	(000000-	) Headlight	1
▲▲	36439	(000000-	) Lamp	1
▲	11 367404	(000000-	) Switch Assy, Roller	1
▲	12 222460	(000000-	) Sleeve	2
▲	13 24198	(000000-	) Screw, Pan, Ss M5x0.8 25	2
▲	14 19066	(000000-	) Washer, Flat, #10	4
▲	15 50335	(000000-	) Nut, Hex, Std M5	2
▲	16 367402	(000000-	) Harness, Wire, Alarm, Back-Up	1
▲	17 1045858	( xxxxxx-	) Circuitbreaker, 15A, Resetable	1
▲	18 1046173	( xxxxxx-	) Boot, Circuitbreaker	1
▲	19 1046176	( xxxxxx-	) Ring, Retaining, Circuitbreaker	1
	20 57751	(000000-xxxxxx	) Boot	1
	21 57803	(000000-xxxxxx	) Circuitbreaker, 15 A	1

Fig. 3 - Work Light Kit



**Fig. 3 - Work Light Kit**

	<b>Ref.</b>	<b>Tennant Part No.</b>	<b>Machine Serial Number</b>	<b>Description</b>	<b>Qty.</b>
▽		367641	(000000-	) Kit, Light, Work	1
▲▽	1	768555	(000000-	) Lights, Work	2
▲▲		768606	(000000-	) Bulb,H3 12/55Hd	1
▲	2	78732	(000000-	) Duct, Vinyl	2
▲	3	12459	(000000-	) Screw, Hex, Fmg, M06-1.0 X 20	4
▲	4	360520	(000000-	) Switch, Rocker, 36Vdc 16A Spdt On/Of/On	1
▲	5	80326	(000000-	) Plate, Retainer, Switch	1
▲	6	44961	(000000-	) Tie, Cable 4.00d Max 14.50lg	2
▲	7	368192	(000000-	) Bracket, Angle, Lh	1
▲	8	368193	(000000-	) Bracket, Angle, Rh	1

Fig. 4 - Revolving Light Kit

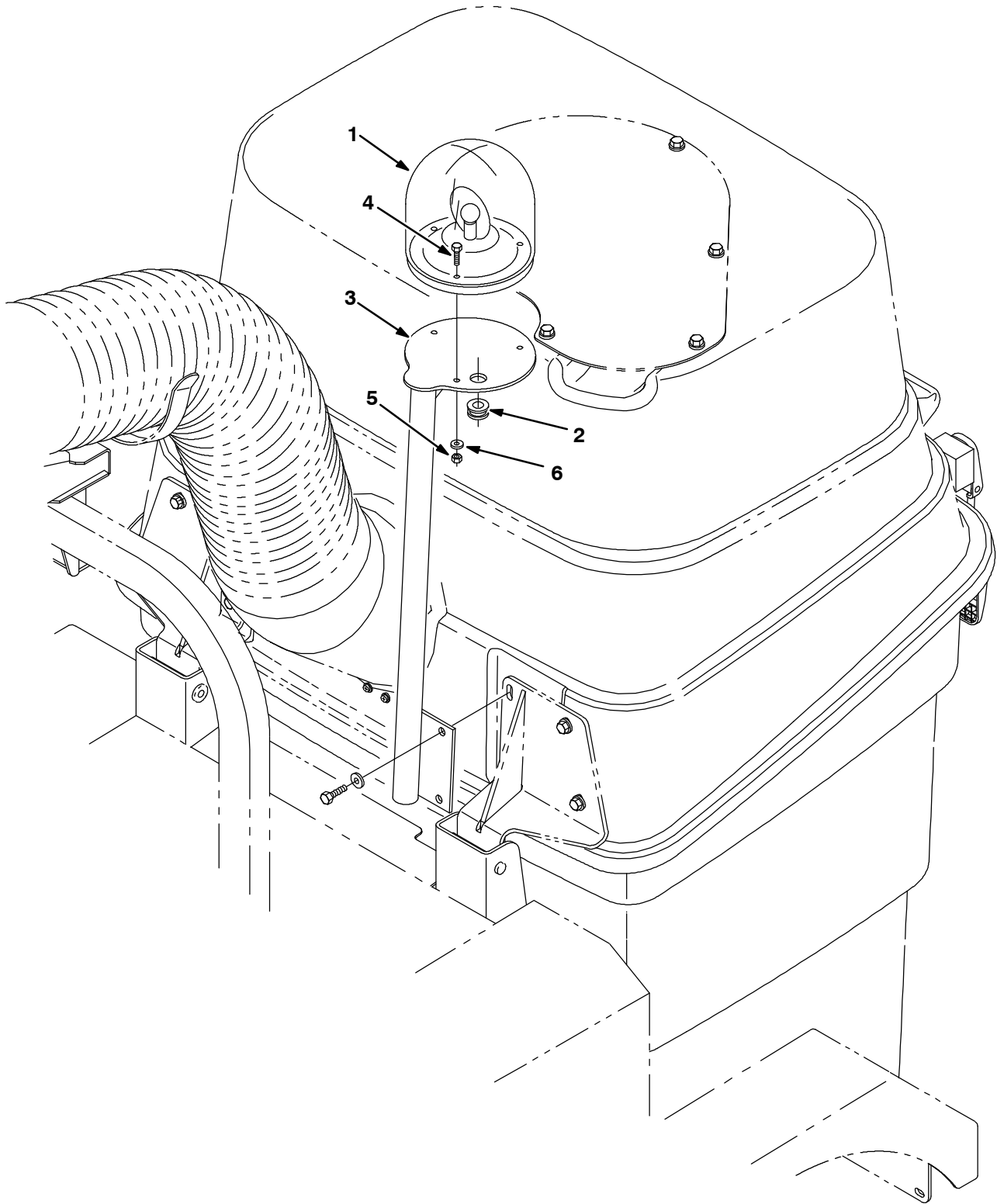
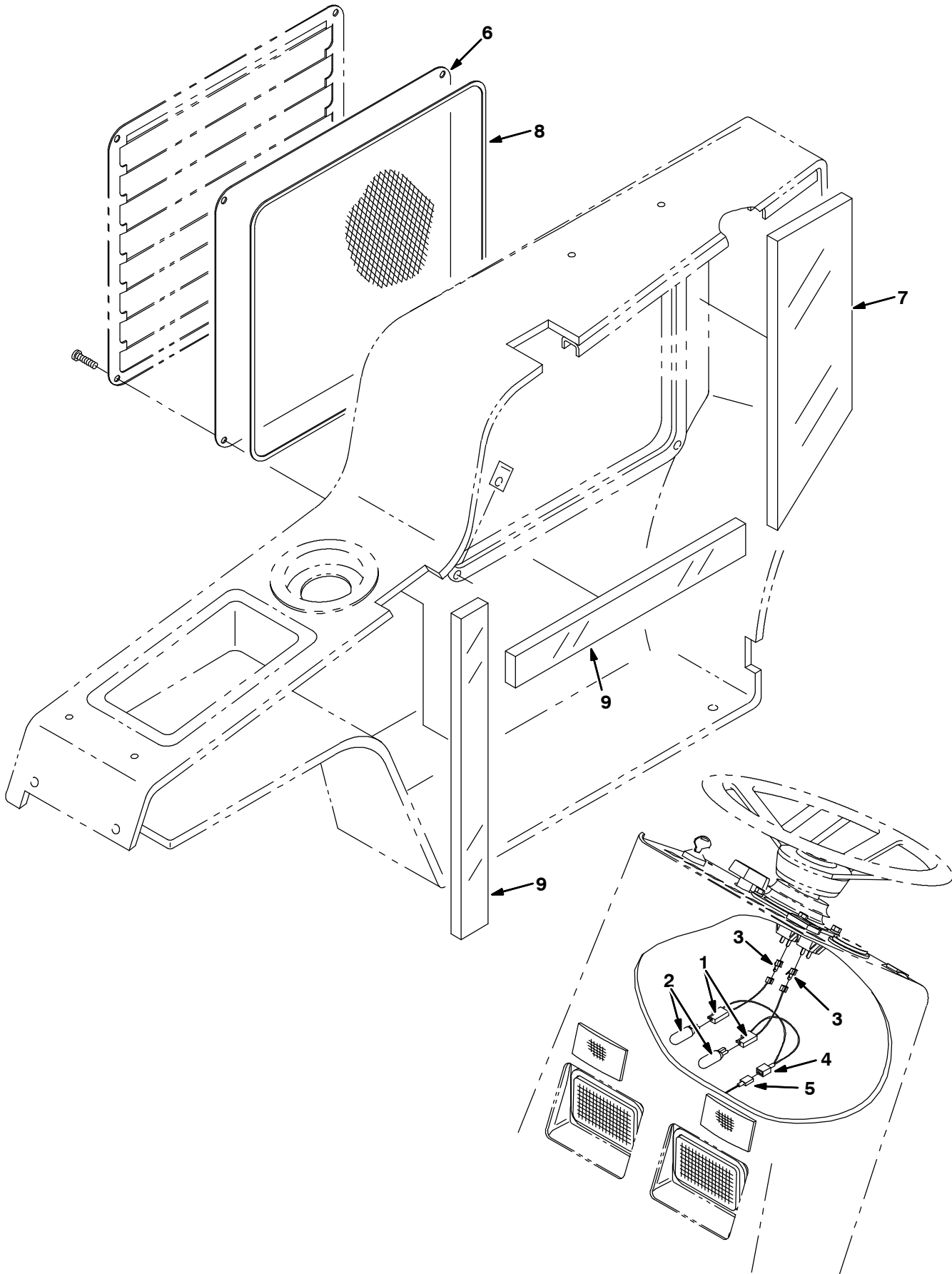


Fig. 4 - Revolving Light Kit

	Ref.	Tennant Part No.	Machine Serial Number	Description	Qty.
▽		367644	(000000-	) Kit, Light, Revl, Amb, Atlv430	1
▲▽	1	768598	(000000-	) Lamp Assy, Rotating, Halogen,	1
▲▲		768605	(000000-	) Lamp, Halogen H1 12V 55W	1
▲▲		367946	(000000-	) Lens, Rev, Amber	1
▲	2	10632-9	(000000-	) Grommet, Rubber	1
▲	3	367765	(000000-	) Bracket Assy, Light Mtg	1
▲	4	12316	(000000-	) Screw, Hex, M05-0.8 X 25, Ss	3
▲	5	07784	(000000-	) Nut, Hex, M05-0.8, Ss	3
▲	6	01684	(000000-	) Washer, Flat, .25 Ss	3
		367957	(000000-	) Lens, Blue, Light, Revl	1
		367958	(000000-	) Lens, Red, Light, Revl	1

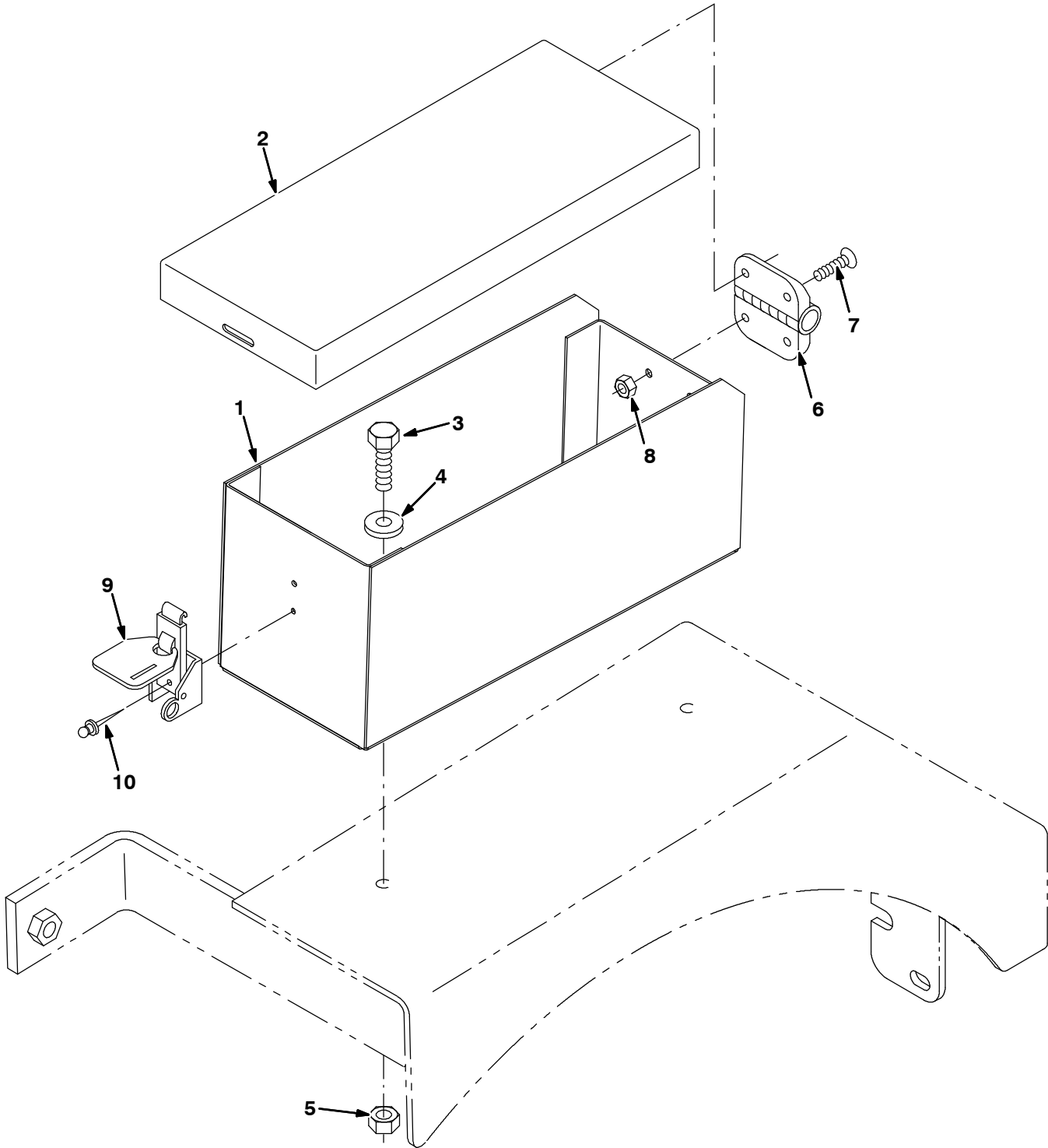
Fig. 5 - High Temperature Engine Shutdown Kit



**Fig. 5 - High Temperature Engine Shutdown Kit**

	<b>Ref.</b>	<b>Tennant Part No.</b>	<b>Machine Serial Number</b>	<b>Description</b>	<b>Qty.</b>
▽		368487	(000000-	) Kit, High Temp. Eng. Shutdown	1
▲	1	370156	(000000-	) Harness, Switch, Key, Diode, [515]	2
▲	2	222290	(000000-	) Diode, Ele, Plug	2
▲	3	27184	(000000-	) Connector	2
▲	4	45223	(000000-	) Terminal, Qdc, [.25m, Insf,14]	1
▲	5	45224	(000000-	) Terminal, Qdc, [.25f, Insf,14]	1
▲	6	368396	(000000-	) Screen Assy, Radiator	1
▲	7	368231	(000000-	) Insulation, Acstc, 0.8th, 05.5w X 18.5l	1
▲	8	367812	(000000-	) Seal, Foam Rubber	1
▲	9	368233	(000000-003016	) Insulation, Acstc	2

Fig. 6 - Tool Box Kit

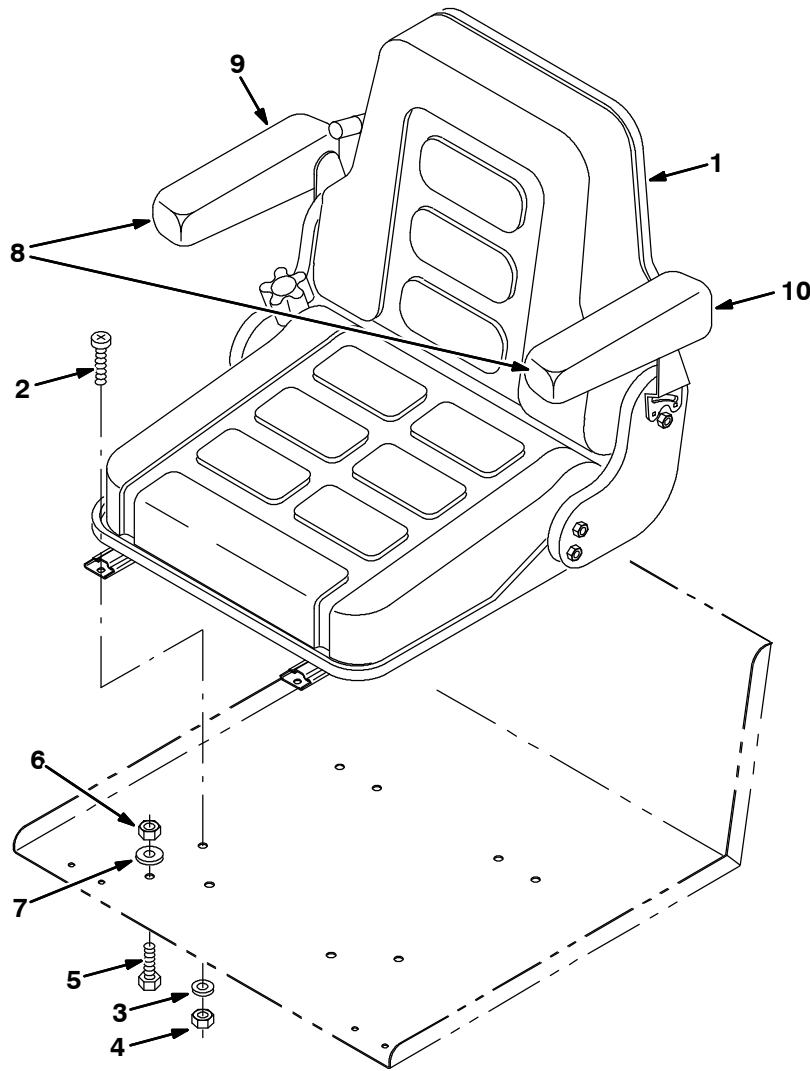




**Fig. 6 - Tool Box Kit**

	<b>Ref.</b>	<b>Tennant Part No.</b>	<b>Machine Serial Number</b>	<b>Description</b>	<b>Qty.</b>
▽		367952	(000000-	) Kit, Tool Box	1
▲	1	367768	(000000-	) Box, Tool Chest	1
▲	2	367769	(000000-	) Cover, Tool Chest	1
▲	3	09740	(000000-	) Screw, Hex, M08-1.25 X 20, Ss	2
▲	4	01685	(000000-	) Washer, Flat, .31 Ss	2
▲	5	07791	(000000-	) Nut, Hex, Flange, M08-1.25	2
▲	6	367950	(000000-	) Hinge Assembly	1
▲	7	09200	(000000-	) Screw, Pan M 5X0.8	4
▲	8	06549	(000000-	) Nut, Hex, Lock, M05-0.8, NI	4
▲	9	367949	(000000-	) Latch Draw Lock	1
▲	10	08875	(000000-	) Rivet, Pop-.134dx.43x.25dhd	2

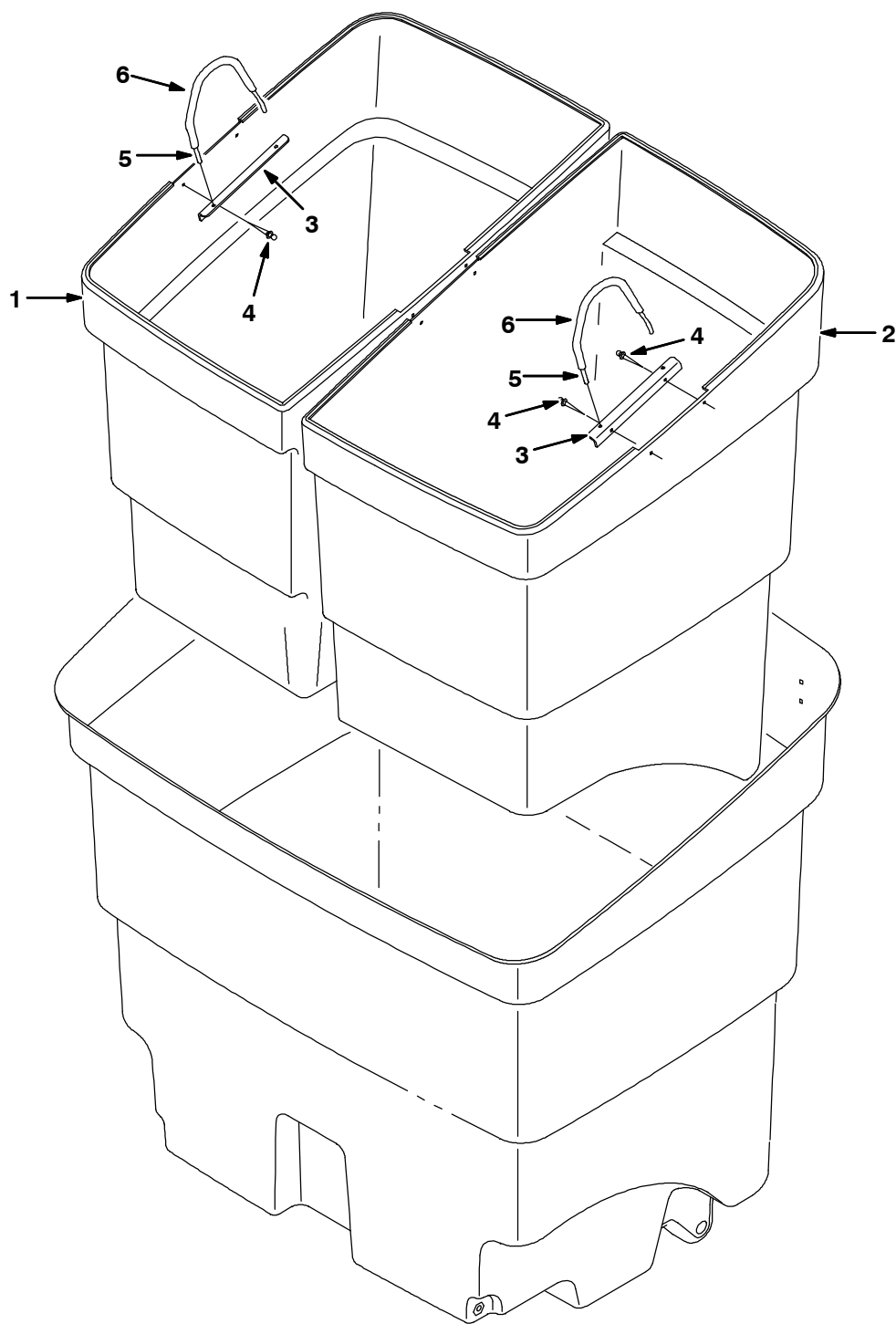
**Fig. 7 - Suspension Seat Kit**



352331

Ref.	Tennant Part No.	Machine Serial Number	Description	Qty.
▽	367618	(000000-	) Seat Deluxe Suspension Kit, 4300 (Kit does not include armrest)	1
▲	1 367740	(000000-	) Seat, Dlx, W/O Arm [Grammer #128001]	1
▲	2 09737	(000000-	) Screw, Pan, M08-1.25X 20, 4.8	4
▲	3 32491	(000000-	) Washer, Flat, .31 Hard	4
▲	4 08709	(000000-	) Nut, Hex, Lock, M08-1.25	1
▲	5 15675	(000000-	) Screw, Hex, M08-1.25 X 16	1
▲	6 07786	(000000-	) Nut, Hex, Std, M08-1.25, Ss	1
▲	7 01685	(000000-	) Washer, Flt .31 Ss	1
▽	8 34252	(000000-	) Armrest Assy, F/69968 [Grammer]	1
▲	9 71477	(000000-	) Armrest Assy, Rh, F/53845 [Grammer]	1
▲	10 72140	(000000-	) Armrest Assy, Lh, F/53845 [Grammer]	1

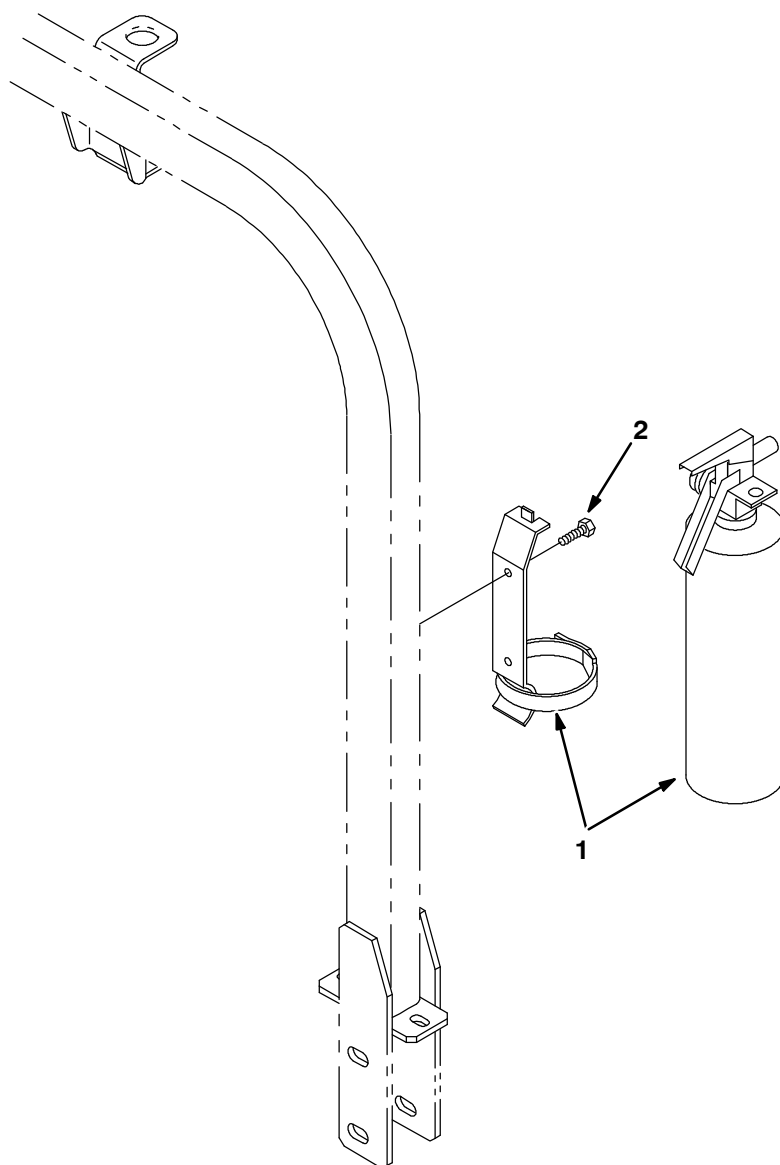
Fig. 8 - Liner Kit



352323

Ref.	Tennant Part No.	Machine Serial Number	Description	Qty.
▽	367749	(000000-	) Liner Kit, W/Bottom	1
▲	1 367735	(000000-	) Liner, Rh W/Bottom	1
▲	2 367736	(000000-	) Liner, Lh W/Bottom	1
▲	3 367998	(000000-	) Bracket, Handle Mtg	4
▲	4 68567	(000000-	) Rivet, Pop	8
▲	5 368025	(000000-	) Cord, Handle	4
▲	6 368027	(000000-	) Hose, Clear 8.0 L	4

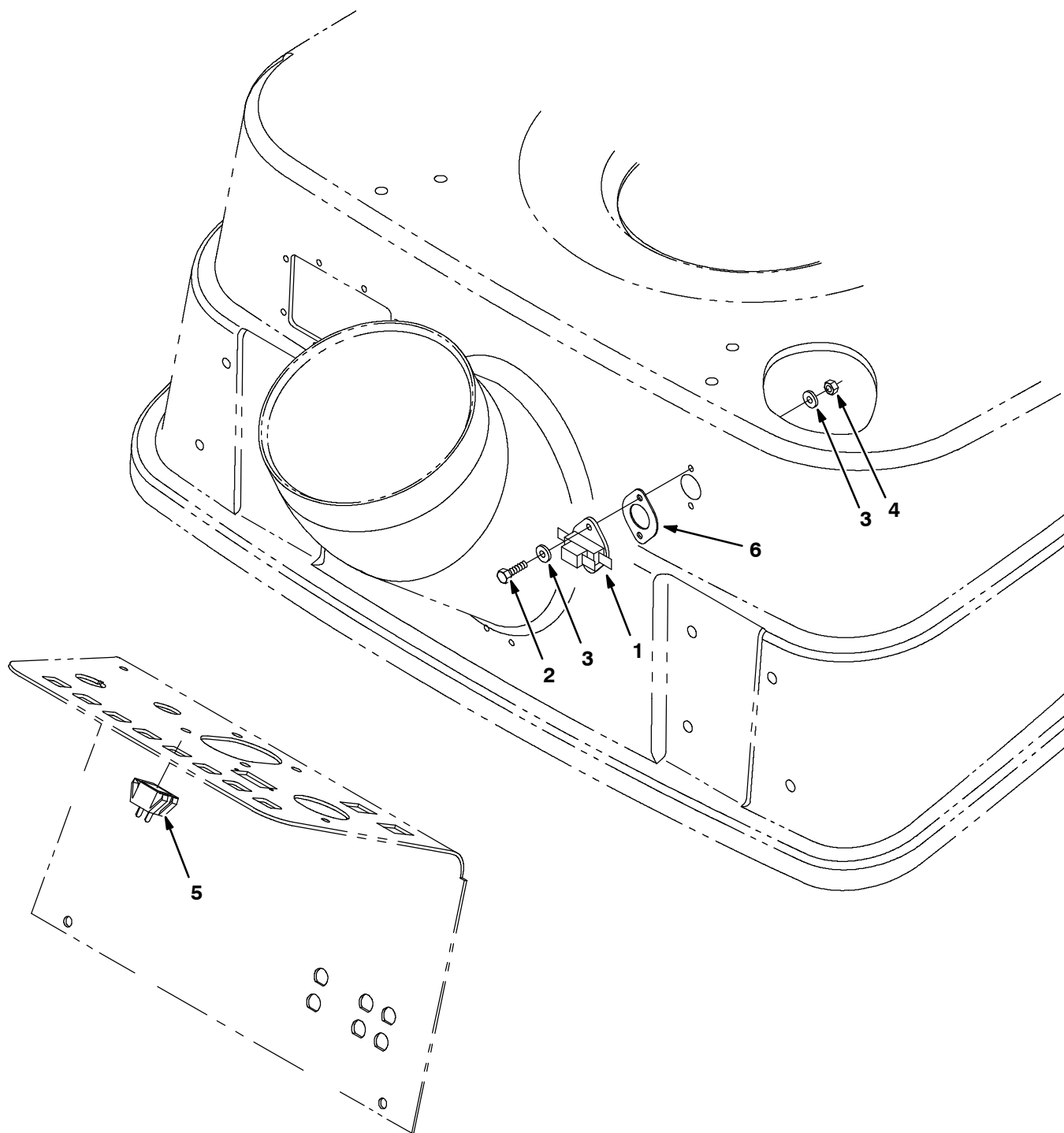
**Fig. 9 - Fire Extinguisher Kit**



352333

	<b>Ref.</b>	<b>Tennant Part No.</b>	<b>Machine Serial Number</b>	<b>Description</b>	<b>Qty.</b>
▽		367607	(000000-	) Fire Extinguisher Kit	1
▲	1	25312	(000000-	) Extinguisher, Fire	1
▲	2	361339	(000000-	) Screw, Hex 6X 1.0 16 Pltd	2

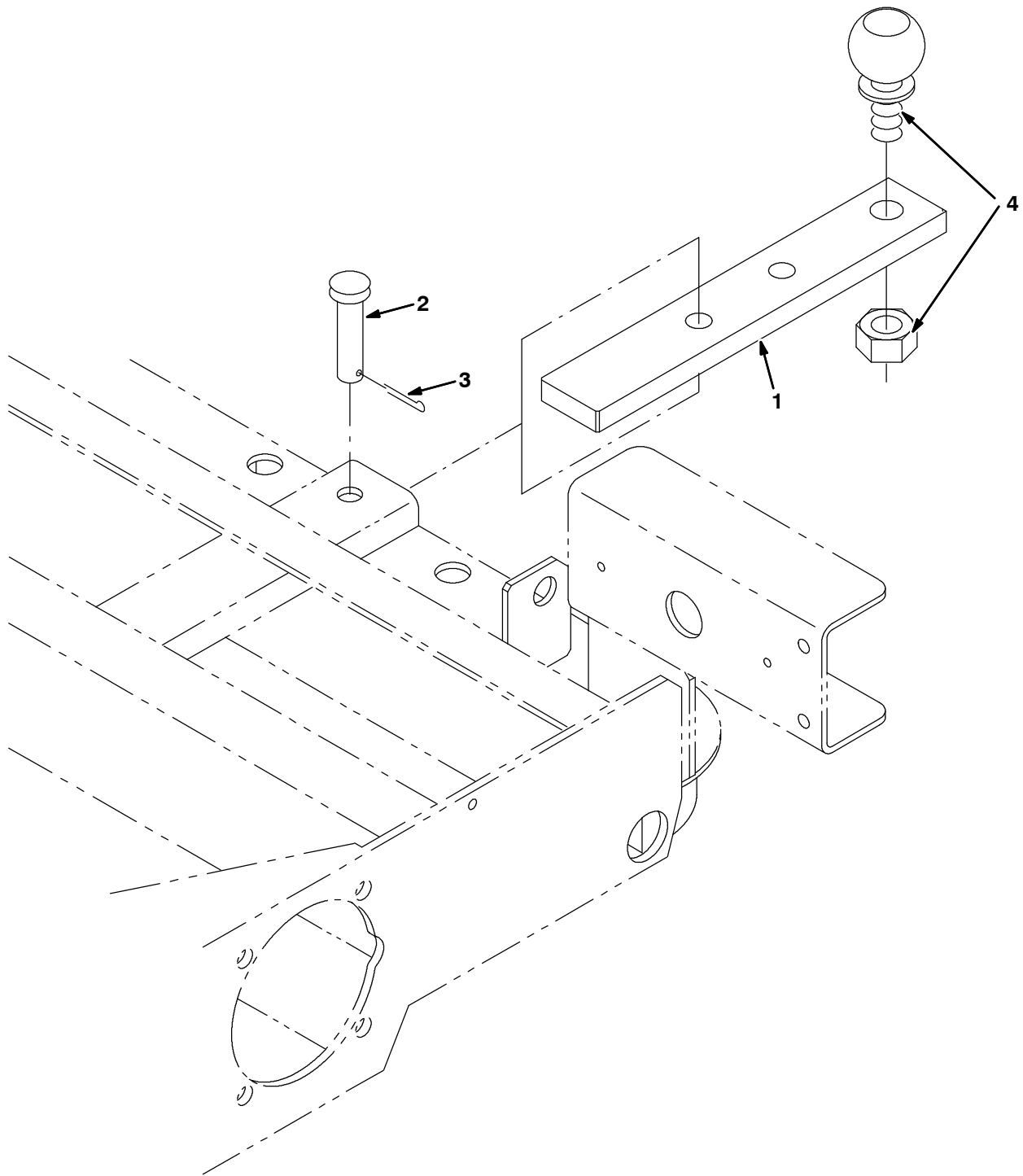
Fig. 10 - Fire Protection Kit



352311

Ref.	Tennant Part No.	Machine Serial Number	Description	Qty.
▽	367609	(000000- )	Fire Protection Kit	1
▲	1 367679	(000000- )	Switch, Thermal, 160Deg, Spdt	1
▲	2 09228	(000000- )	Screw, Hex, M04-0.7 X 20, 8.8	2
▲	3 41579	(000000- )	Washer, Flat, #08 Ss	4
▲	4 33932	(000000- )	Nut, Hex, Lock, M04-0.7, NI,Ss	2
▲	5 361075	(000000- )	Lamp, Indicator 12V	1
▲	6 82733	(000000- )	Gasket, Sensor, Thermal	1

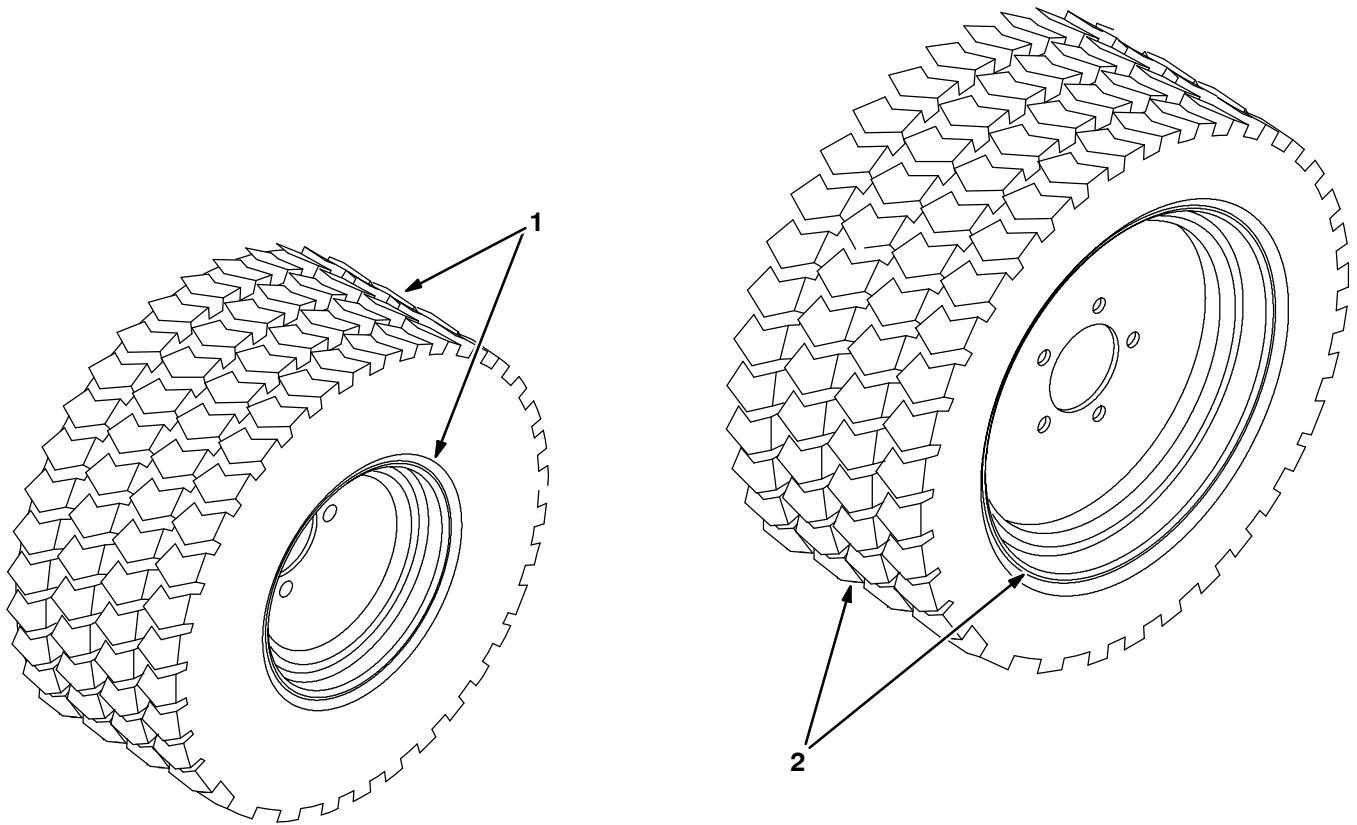
**Fig. 11 - Trailer Hitch Kit**



352301

Ref.	Tennant Part No.	Machine Serial Number	Description	Qty.
▽	367381	(000000- )	Trailer Hitch Kit	1
▲	1 367368	(000000- )	Bar, Flat, 2.0 X 12.0 X .625	1
▲	2 01272	(000000- )	Pin, Clevis	1
▲	3 02942	(000000- )	Pin, Hair Cotter	1
▲	4 368316	(000000- )	Ball, Hitch	1

Fig. 12 - Foam Filled Tire Kit



352327

Ref.	Tennant Part No.	Machine Serial Number	Description	Qty.
▽	367630	(000000-	) Tire Kit, Front/Rear, Foam Filled	1
▲ 1	368002	(000000-	) Wheel/Tire Assy, Foam Filled, Front	2
▲ 2	367239	(000000-	) Wheel/Tire Assy, Foam Filled, Rear	2

**Fig. 13 - Rear Traction Tire Kit**

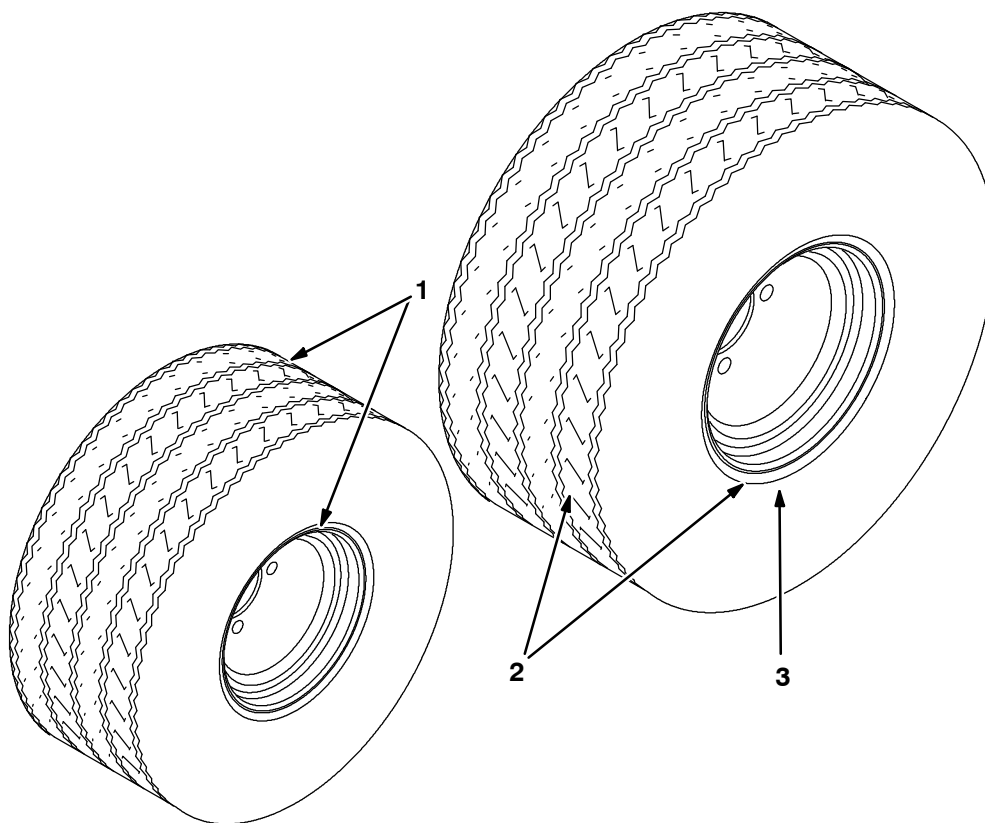


352328

	<b>Ref.</b>	<b>Tennant Part No.</b>	<b>Machine Serial Number</b>	<b>Description</b>	<b>Qty.</b>
▽		367776	(000000-	) Kit, Tire, Rear Traction	1
▲	1	367774	(000000-	) Wheel Assy, At23X8-12, Right Hand	1
▲	1	368009	(000000-	) Wheel Assy, At23X8-12, Left Hand	1



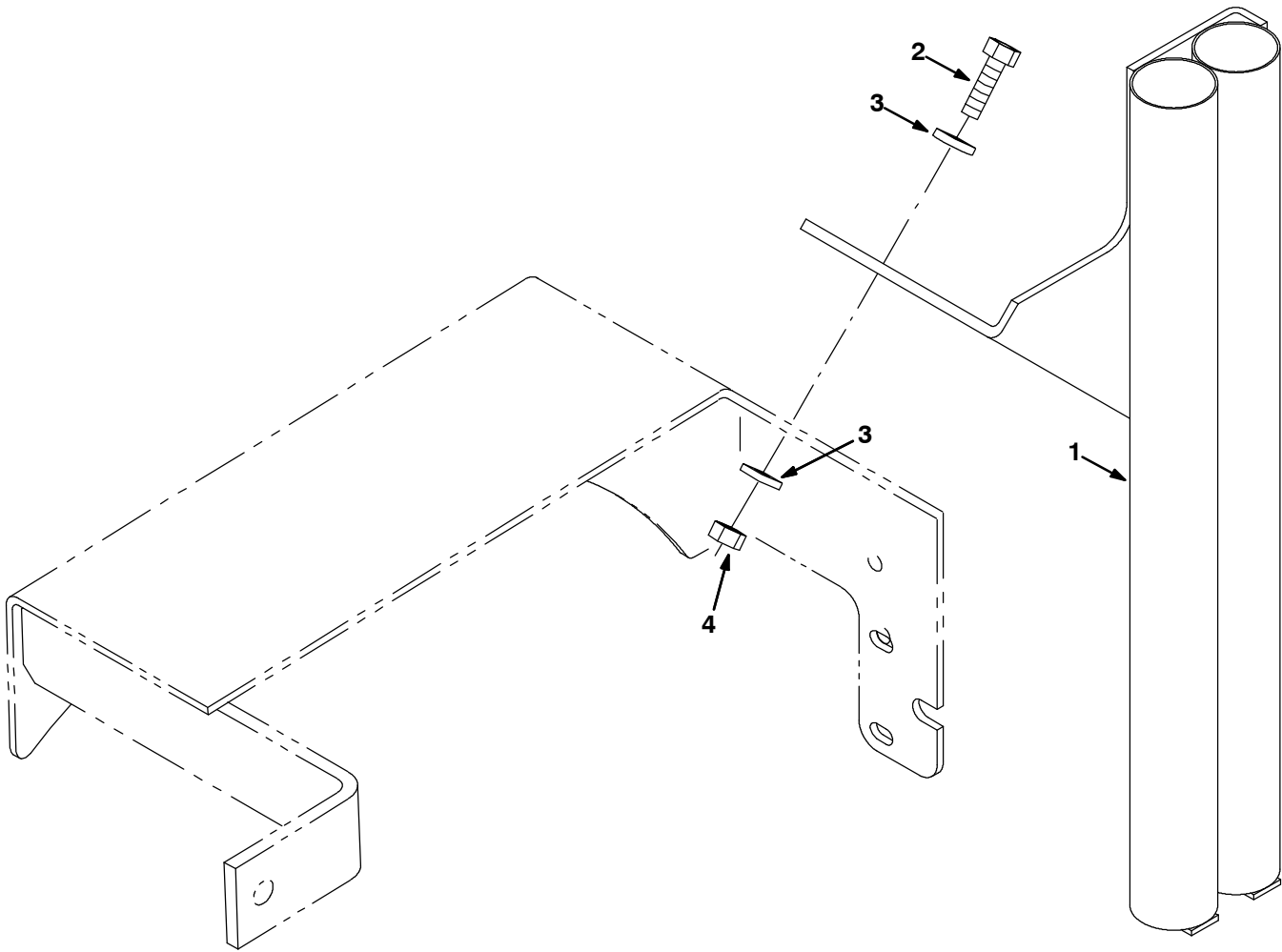
Fig. 14 - High Wear Wheel Kit



352327

Ref.	Tennant Part No.	Machine Serial Number	Description	Qty.
1	368676	(000000-	) Wheel Assy, Hi Wear, Front. [Atlv]	2
▽ 2	368677	(000000-	) Wheel Assy, Hi Wear, Rear. [Atlv]	2
▲ 3	1043657	(000000-	) Rim, 12.00 X 8.50	1

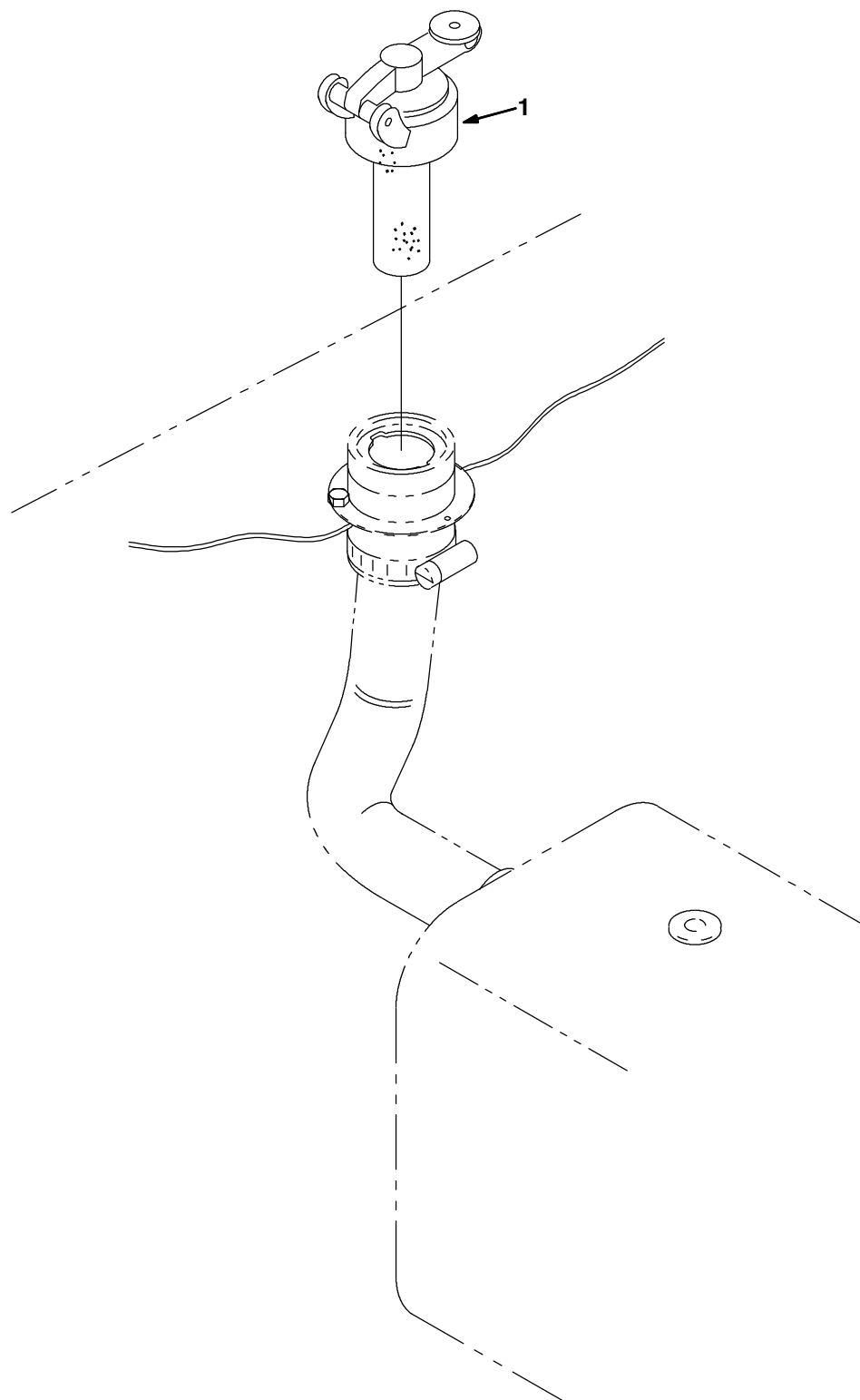
**Fig. 15 - Broom Holder Kit**



352309

Ref.	Tennant Part No.	Machine Serial Number	Description	Qty.
▽	368660	(000000-	) Kit, Ci, Broom Holder, [Atlv]	1
▲ 1	368653	(000000-	) Bracket Wldt, Mtg, Broom Holder	1
▲ 2	09740	(000000-	) Screw, Hex, M08-1.25 X 20, Ss	2
▲ 3	01685	(000000-	) Washer, Flat, .31 Ss	4
▲ 4	07791	(000000-	) Nut, Hex, Flange, M08-1.25	2

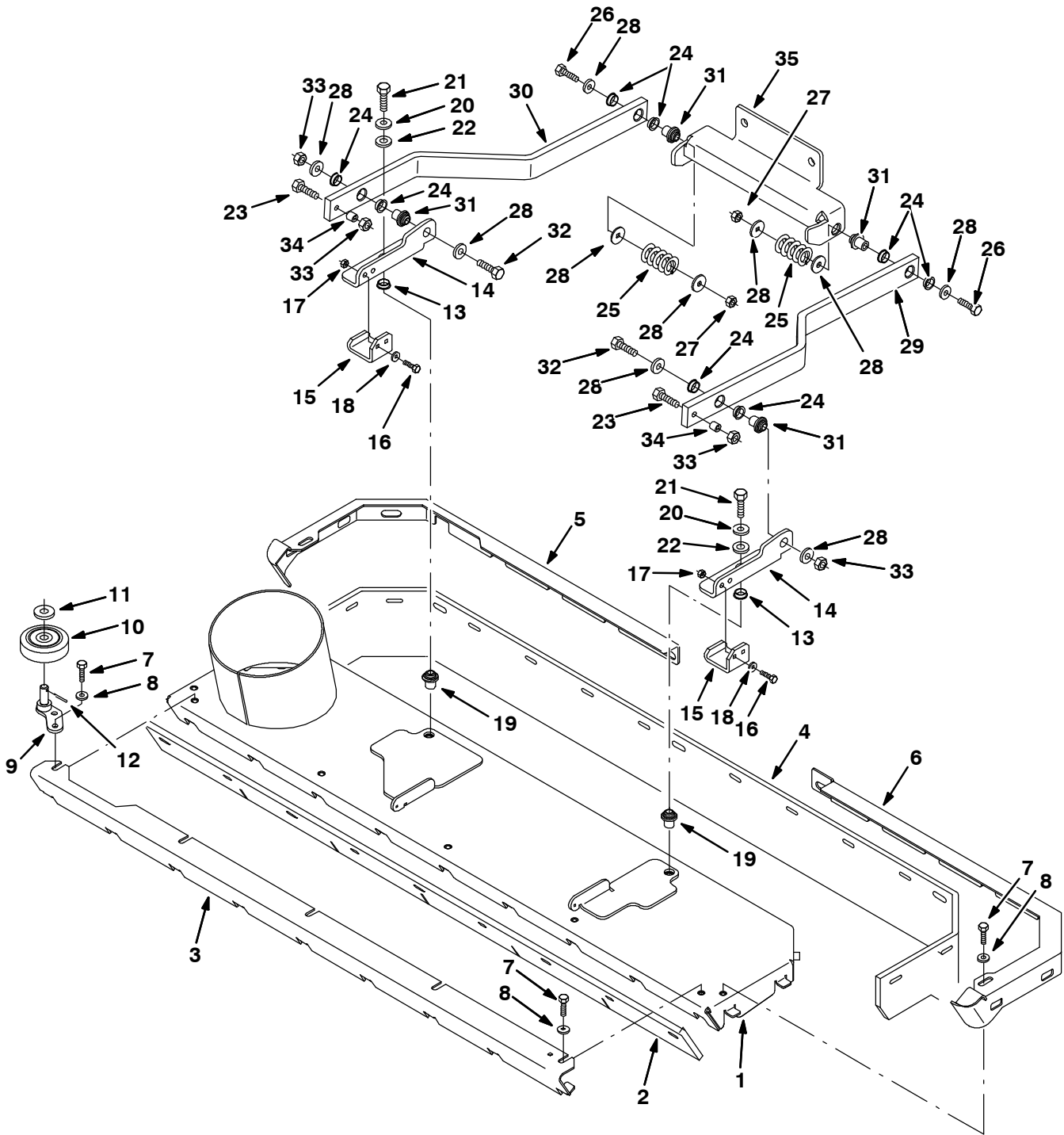
Fig. 16 - Protectoseal Fuel Tank Cap Group



352339

Ref.	Tennant Part No.	Machine Serial Number	Description	Qty.
1	02506-6	(000000-	) Cap, Fuel, Protectoseal	1

Fig. 17 - Vacuum Head And Linkage Group

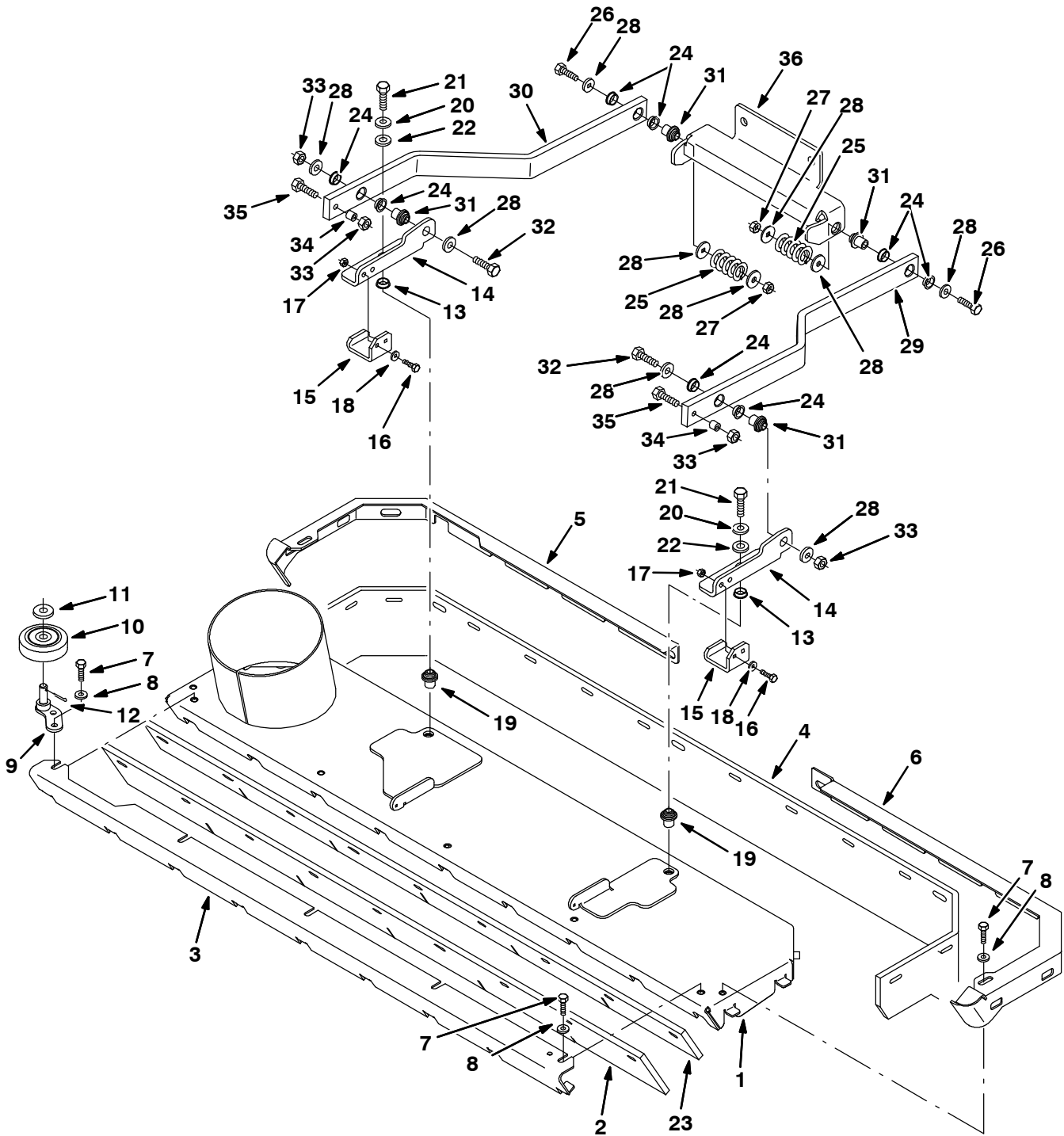


**Fig. 17 - Vacuum Head And Linkage Group**

NOTE: Vacuum Head Kit, Tennant Part Number 367482, includes Fig. 17, Fig. 19, and Fig. 20.

Ref.	Tennant Part No.	Machine Serial Number	Description	Qty.
▽	375409	(000000-	) Kit, Head Only, Vacuum [ATLV 4300]	1
▲ 1	367690	(000000-	) Plate Wldt, Head	1
▲ 2	367693	(000000-	) Blade, Front	1
▲ 3	367691	(000000-	) Plate, Bent Retainer Front	1
▲ 4	367692	(000000-	) Blade, Rear	1
▲ 5	367694	(000000-	) Retainer, Rh	1
▲ 6	367695	(000000-	) Retainer, Lh	1
▲ 7	12273	(000000-	) Screw, Hex, M08-1.25 X 20, Ss	10
▲ 8	01685	(000000-	) Washer, Flat, .31 Ss	10
▲ 9	367782	(000000-	) Bracket, Wldt	1
▲ 10	222066	(000000-	) Wheel, 3.0 Dia	1
▲ 11	32486	(000000-	) Washer, Flat, .50 Sae	1
▲ 12	39005	(000000-	) Pin, Cotter	1
▲ 13	04843	(000000-	) Bearing, Flange	2
▲ 14	367477	(000000-	) Bracket, Lift Arm	2
▲ 15	367711	(000000-	) Pad, Wear Plactic	2
▲ 16	08716	(000000-	) Screw, Hex, M06-1.0 X 20, Ss	4
▲ 17	08712	(000000-	) Nut, Hex, Lock, M06-1.0, NI,Ss	4
▲ 18	01684	(000000-	) Washer, Flat, .25 Ss	4
▲ 19	367481	(000000-	) Sleeve, Head Pivot	2
▲ 20	46983	(000000-	) Sleeve	2
▲ 21	39277	(000000-	) Screw, Hex, M08-1.25 X 25, 8.8	2
▲ 22	69954	(000000-	) Bearing, Thrust	2
23	222505	(000000-	) Screw, Hex, M08-1.25 X 45, Ss	2
24	04843	(000000-	) Bearing, Flange	8
25	360081	(000000-	) Spring, Die .62ld 1.25Od 1.75L	2
26	39281	(000000-	) Screw, Hex, M08-1.25 X 90, 8.8	2
27	08713	(000000-	) Nut, Hex, Lock, M08-1.25,NI,Ss	2
28	64153	(000000-	) Washer	10
29	367319	(000000-	) Link, Lh	1
30	367542	(000000-	) Link, Rh	1
31	367479	(000000-	) Sleeve, Lift Arm	4
32	09023	(000000-	) Screw, Hex, M08-1.25 X 35, Ss	2
33	08709	(000000-	) Nut, Hex, Lock, M08-1.25,NI	4
34	222460	(000000-	) Sleeve	2
35	367347	(000000-	) Bracket, Mtg, Linkage, Head	1

Fig. 18 - Vacuum Head And Linkage Group, Turf Skirt

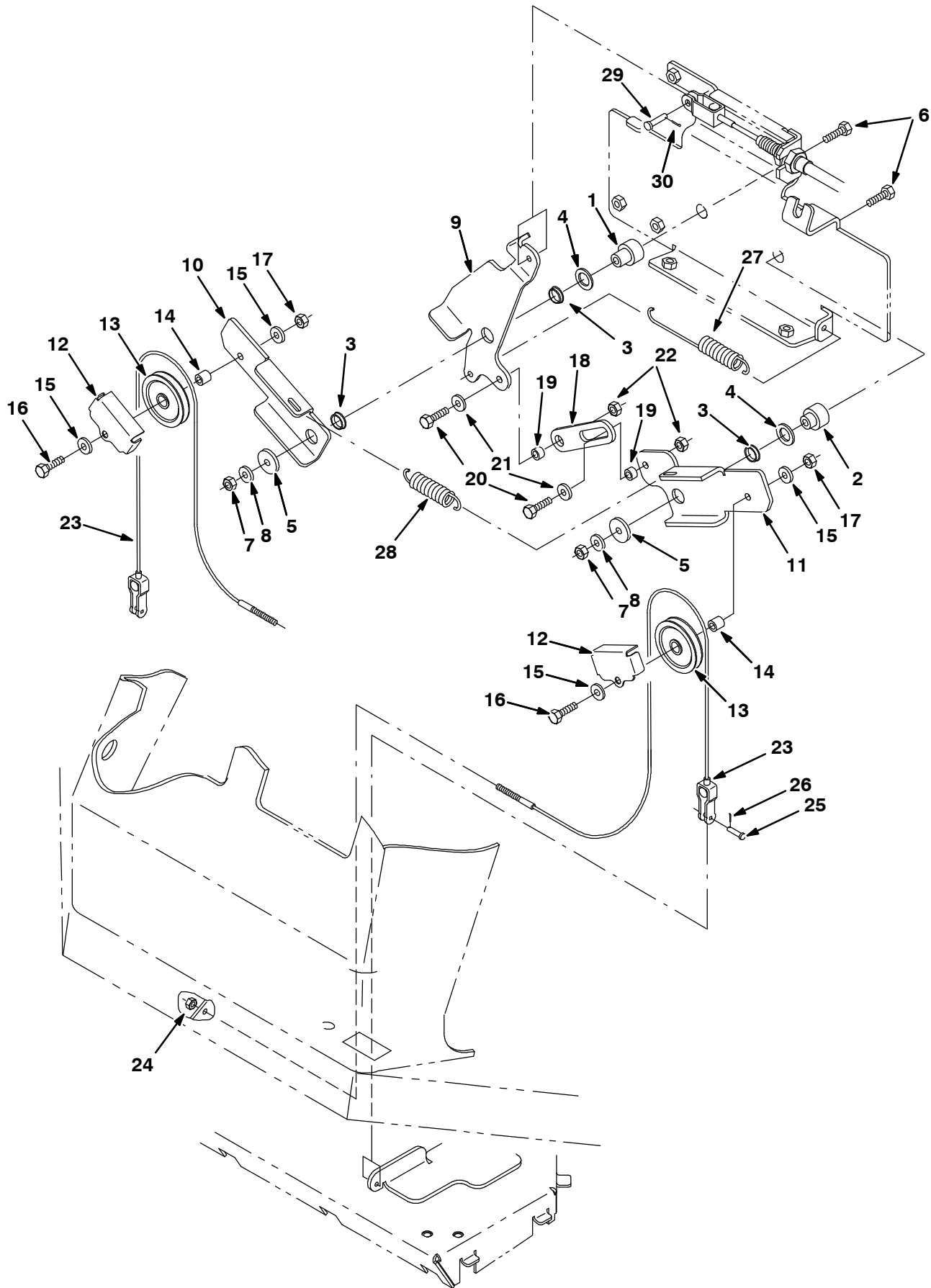


**Fig. 18 - Vacuum Head And Linkage Group, Turf Skirt**

NOTE: Turf Skirt Kit, Tennant Part Number 368527, includes Fig. 18, Fig. 19, and Fig. 20.

Ref.	Tennant Part No.	Machine Serial Number	Description	Qty.
	375409	(000000-	) Kit, Head Only, Vacuum [ATLV 4300]	1
1	367690	(000000-	) Plate Wldt, Head	1
2	368237	(000000-	) Blade, Front	1
3	367691	(000000-	) Plate, Bent Retainer Front	1
4	367692	(000000-	) Blade, Rear	1
5	367694	(000000-	) Retainer, Rh	1
6	367695	(000000-	) Retainer, Lh	1
7	12273	(000000-	) Screw, Hex, M08-1.25 X 20, Ss	10
8	01685	(000000-	) Washer, Flat, .31 Ss	10
9	367782	(000000-	) Bracket, Wldt	1
10	222066	(000000-	) Wheel, 3.0 Dia	1
11	32486	(000000-	) Washer, Flat, .50 Sae	1
12	39005	(000000-	) Pin, Cotter	1
13	04843	(000000-	) Bearing, Flange	2
14	367477	(000000-	) Bracket, Lift Arm	2
15	367711	(000000-	) Pad, Wear Plactic	2
16	08716	(000000-	) Screw, Hex, M06-1.0 X 20, Ss	4
17	08712	(000000-	) Nut, Hex, Lock, M06-1.0, NI,Ss	4
18	01684	(000000-	) Washer, Flat, .25 Ss	4
19	367481	(000000-	) Sleeve, Head Pivot	2
20	46983	(000000-	) Sleeve	2
21	39277	(000000-	) Screw, Hex, M08-1.25 X 25, 8.8	2
22	69954	(000000-	) Bearing, Thrust	2
23	368238	(000000-	) Blade, Backup	1
24	04843	(000000-	) Bearing, Flange	8
25	360081	(000000-	) Spring, Die .62ld 1.25Od 1.75L	2
26	39281	(000000-	) Screw, Hex, M08-1.25 X 90, 8.8	2
27	08713	(000000-	) Nut, Hex, Lock, M08-1.25,NI,Ss	2
28	64153	(000000-	) Washer	10
29	367319	(000000-	) Link, Lh	1
30	367542	(000000-	) Link, Rh	1
31	367479	(000000-	) Sleeve, Lift Arm	4
32	09023	(000000-	) Screw, Hex, M08-1.25 X 35, Ss	2
33	08709	(000000-	) Nut, Hex, Lock, M08-1.25,NI	4
34	222460	(000000-	) Sleeve	2
35	222505	(000000-	) Screw, Hex, M08-1.25 X 45, Ss	2
36	367347	(000000-	) Bracket, Mtg, Linkage, Head	1

Fig. 19 - Vacuum Head Lift





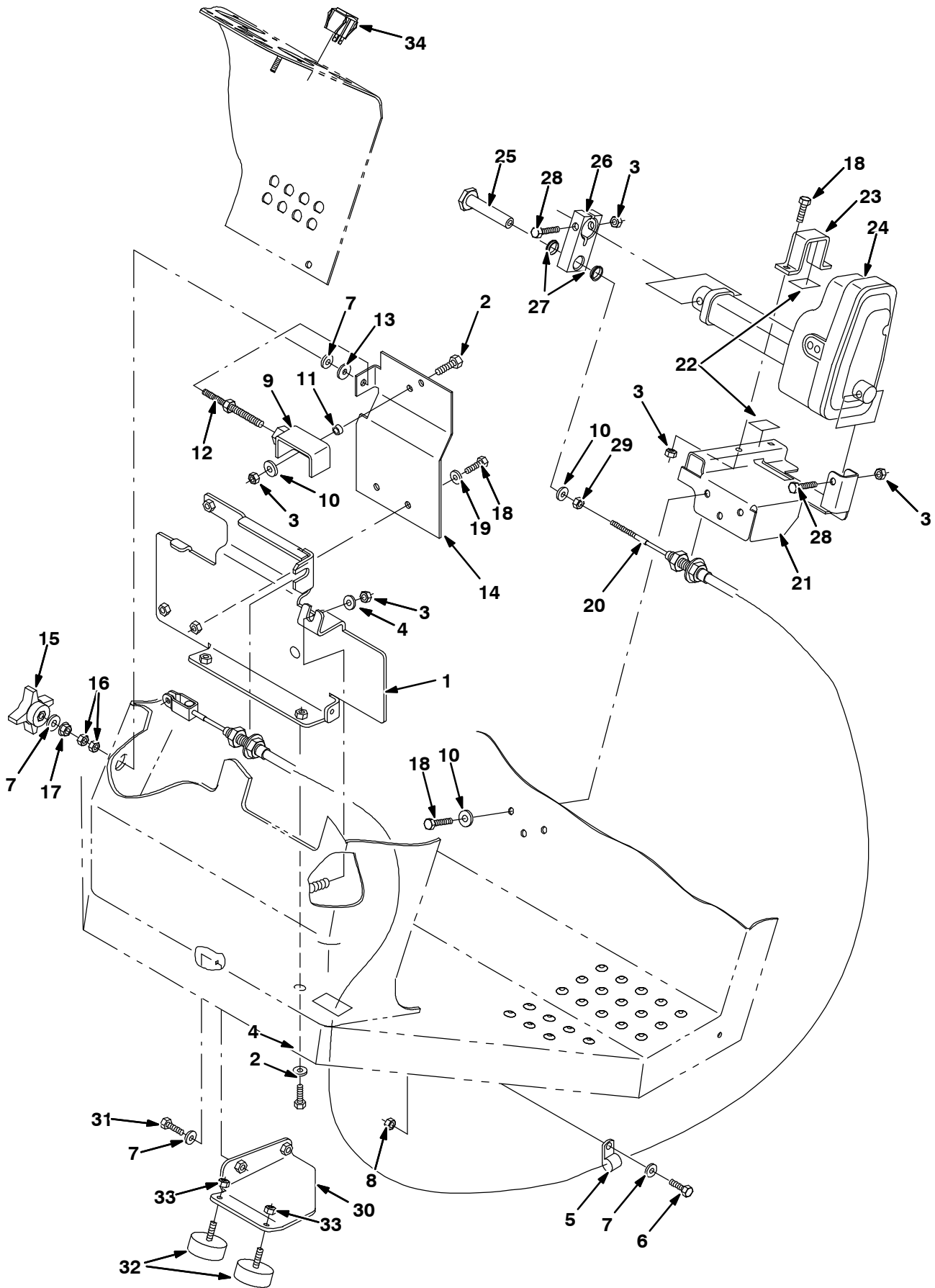
**Fig. 19 - Vacuum Head Lift**

NOTE: Vacuum Head Kit, Tennant Part Number 367482, includes Fig. 17, Fig. 19, and Fig. 20.

NOTE: Turf Skirt Kit, Tennant Part Number 368527, includes Fig. 18, Fig. 19, and Fig. 20.

Ref.	Tennant Part No.	Machine Serial Number	Description	Qty.
1	367334	(000000-	) Rod, Pivot, Long	1
2	367335	(000000-	) Rod, Pivot, Short	1
3	04843	(000000-	) Bearing, Flange	3
4	69954	(000000-	) Bearing, Thrust	2
5	30013	(000000-	) Washer, Flat, .31 Fender	2
6	39278	(000000-	) Screw, Hex, M08-1.25 X 50, 8.8	2
7	08709	(000000-	) Nut, Hex, Lock, M08-1.25,NI	2
8	32491	(000000-	) Washer, Flat, .31 Hard	2
9	367548	(000000-	) Plate, Wldt	1
10	367340	(000000-	) Lever Head Lift Rh	1
11	367341	(000000-	) Lever Head Lift Lh	1
12	367337	(000000-	) Plate, Bent, Pulley	2
13	360454	(000000-	) Pulley	2
14	222460	(000000-	) Sleeve	2
15	30013	(000000-	) Washer, Flat, .31 Fender	4
16	76570	(000000-	) Screw, Hex, M08-1.25 X 30, 8.8	2
17	08709	(000000-	) Nut, Hex, Lock, M08-1.25,NI	2
18	367344	(000000-	) Link, Head	1
19	360801	(000000-	) Sleeve	2
20	39277	(000000-	) Screw, Hex, M08-1.25 X 25, 8.8	2
21	32491	(000000-	) Washer, Flat, .31 Hard	2
22	08709	(000000-	) Nut, Hex, Lock, M08-1.25,NI	2
23	367327	(000000-	) Cable, Hyd	2
24	08708	(000000-	) Nut, Hex, Lock, M06-1.0, NI	2
25	77488	(000000-	) Pin, Clevis	2
26	08350	(000000-	) Pin, Cotter	2
27	367486	(000000-	) Sprng, Tens .75 Od X .07 Wire	1
28	25737	(000000-	) Spring, Tension	1
29	14605	(000000-	) Pin, Clevis	1
30	08178	(000000-	) Pin, Cotter, .062 X 0.75	1

Fig. 20 - Vacuum Head Actuator



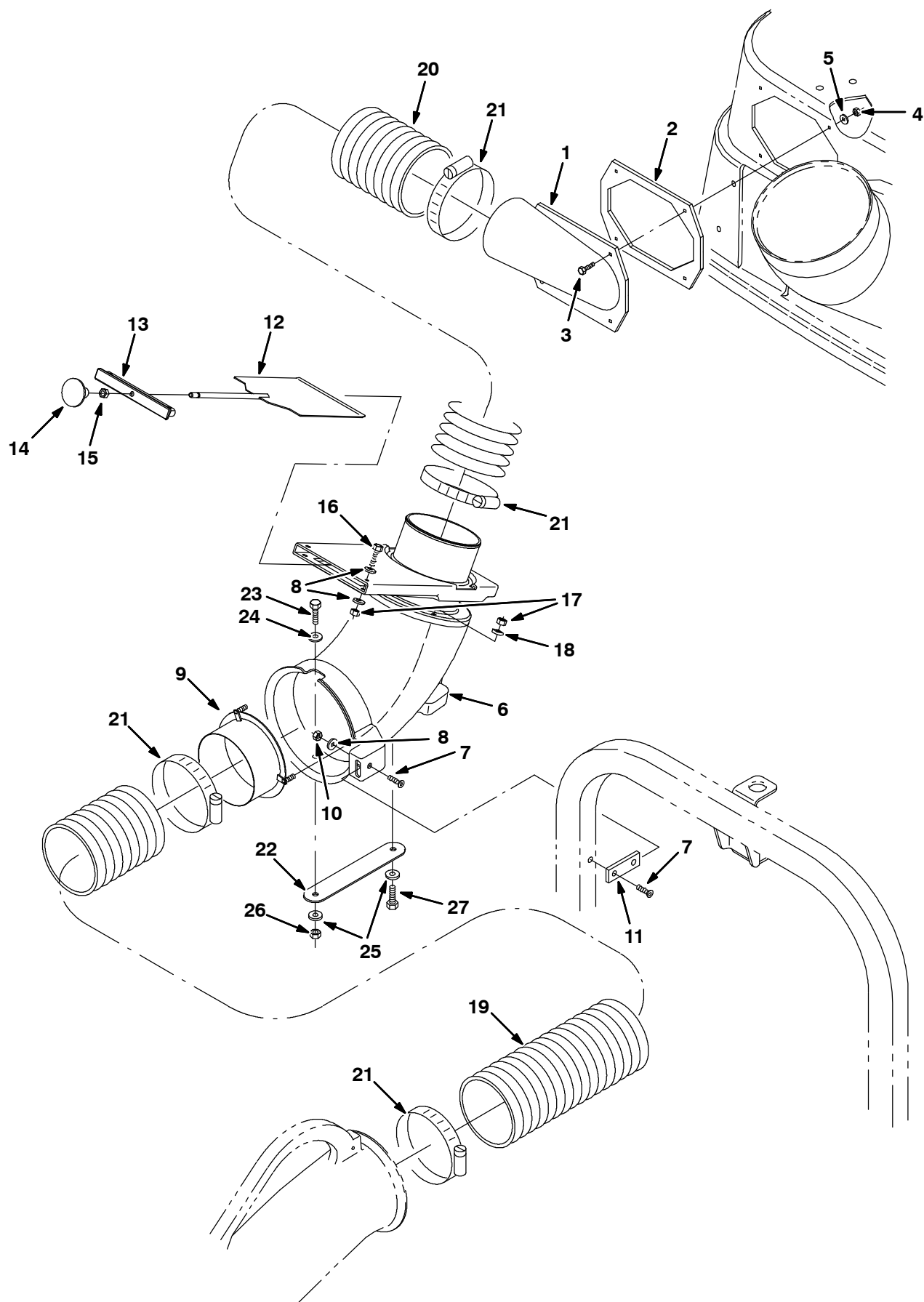
**Fig. 20 - Vacuum Head Actuator**

NOTE: Vacuum Head Kit, Tennant Part Number 367482, includes Fig. 17, Fig. 19, and Fig. 20.

NOTE: Turf Skirt Kit, Tennant Part Number 368527, includes Fig. 18, Fig. 19, and Fig. 20.

Ref.	Tennant Part No.	Machine Serial Number	Description	Qty.
1	367343	(000000-	) Plate, Bent, Mounting	1
2	39277	(000000-	) Screw, Hex, M08-1.25 X 25, 8.8	3
3	08709	(000000-	) Nut, Hex, Lock, M08-1.25,NI	6
4	41186	(000000-	) Washer, Belleville, .31	3
5	82829	(000000-	) Clamp, Hose	1
6	09010	(000000-	) Screw, Hex, M08-1.25 X 25, Ss	1
7	01685	(000000-	) Washer, Flat, .31 Ss	3
8	08713	(000000-	) Nut, Hex, Lock, M08-1.25,NI,Ss	1
9	367338	(000000-	) Plate, Bent, Slide	1
10	32491	(000000-	) Washer, Flat, .31 Hard	5
11	360801	(000000-	) Sleeve	1
12	367336	(000000-	) Rod, Threaded	1
13	63416	(000000-	) Washer	1
14	367339	(000000-	) Plate, Bent	1
15	370100	(000000-	) Knob 4 Prong W/.31-18 Insert	1
16	32521	(000000-	) Nut, Hex, Jam, .31-18	2
17	27979	(000000-	) Nut, Hex, Flange, .31-18	1
18	16931	(000000-	) Screw, Hex, M08-1.25 X 20, 8.8	8
19	39349	(000000-	) Washer, Flat, .31 Sae	3
20	367466	(000000-	) Cable Assy	1
21	367714	(000000-	) Actuator, Mount	1
22	367779	(000000-	) Seal, Rubber	2
23	367715	(000000-	) Clamp, Actuator	1
24	367483	(000000-	) Actuator, 12Vdc	1
25	367465	(000000-	) Rod, Cable	1
26	367464	(000000-	) Plate, Cable	1
27	04843	(000000-	) Bearing, Flange	2
28	39278	(000000-	) Screw, Hex, M08-1.25 X 50, 8.8	2
29	20170	(000000-	) Nut, Hex, Jam, .31-24	1
30	367709	(000000-	) Plate, Bent Bumper	1
31	12333	(000000-	) Screw, Hex, M08-1.25 X 25, Ss	2
32	70756	(000000-	) Bumper, Rbr, 2.0d 0.75t .38-16	2
33	01703	(000000-	) Nut, Hex, Jam, .38-16, Ss	2
34	222116	(000000-001824	) Switch, Rocker	1
34	398508	(001825-	) Switch, Rocker, Dpdt, Mom-Off-Mom	1

Fig. 21 - Vacuum Wand Hose Group

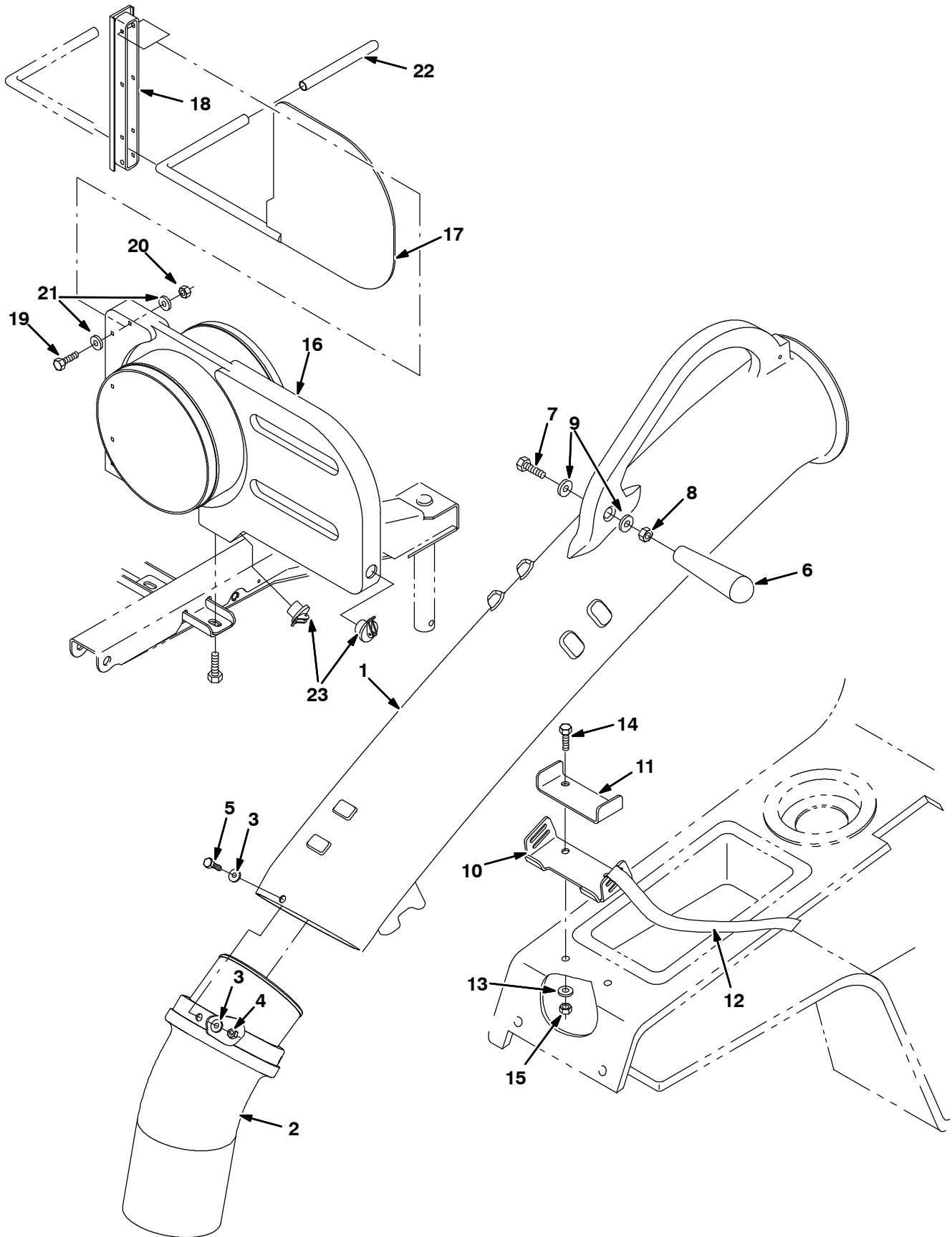


**Fig. 21 - Vacuum Wand Hose Group**

NOTE: Vacuum Wand Kit, Tennant Part Number 367557, includes Fig. 21 and Fig. 22.

Ref.	Tennant Part No.	Machine Serial Number	Description	Qty.
1	367966	(000000-	) Adaptor, Tube	1
2	367967	(000000-	) Gasket, Foam	1
3	09007	(000000-	) Screw, Hex, M06-1.0 X 25, Ss	4
4	08712	(000000-	) Nut, Hex, Lock, M06-1.0, NI,Ss	4
5	01684	(000000-	) Washer, Flat, .25 Ss	4
6	368356	(000000-	) Tube, Wand, Upper	1
7	32129	(000000-	) Screw, Flat, M08 X 1.25 X 20, 10.9	2
8	01685	(000000-	) Washer, Flt, .31 Ss	5
9	367493	(000000-	) Plate, Wand	1
10	08713	(000000-	) Nut, Hex, Lock, M08-1.25,NI,Ss	1
11	367971	(000000-	) Plate, Mtg	1
12	367959	(000000-	) Plate	1
13	367705	(000000-	) Seal, Valve	1
14	367553	(000000-	) Knob, Push/Pull	1
15	01691	(000000-	) Nut, Hex, Std, .31-18, Ss	1
16	33930	(000000-	) Screw, Hex, M06-1.0 X 40, Ss	2
17	08712	(000000-	) Nut, Hex, Lock, M06-1.0, NI,Ss	5
18	01683	(000000-	) Washer, Flat, #10 Ss	3
19	367719	(000000-	) Hose, Vacuum, 5.0	1
20	367720	(000000-	) Hose, Vacuum, 5.0	1
21	367718	(000000-	) Clamp, Bridge, 5.0	4
22	368448	(000000-	) Link, .12 X 1.5 X 9.0L 2/.38H	1
23	09010	(000000-	) Screw, Hex, M08 X 1.25 X 25, Ss	1
24	32419	(000000-	) Fitting, Pipe, Str, Pm06/Pm06 07.0l,Blk	1
25	30013	(000000-	) Washer, Flat, .31 Fender	2
26	07813	(000000-	) Nut, Hex, Lock, M06-1.0, NI,Ss	1
27	09740	(000000-	) Screw, Hex, M08 X 1.25 X 25, Ss	1

Fig. 22 - Vacuum Wand Handle Group

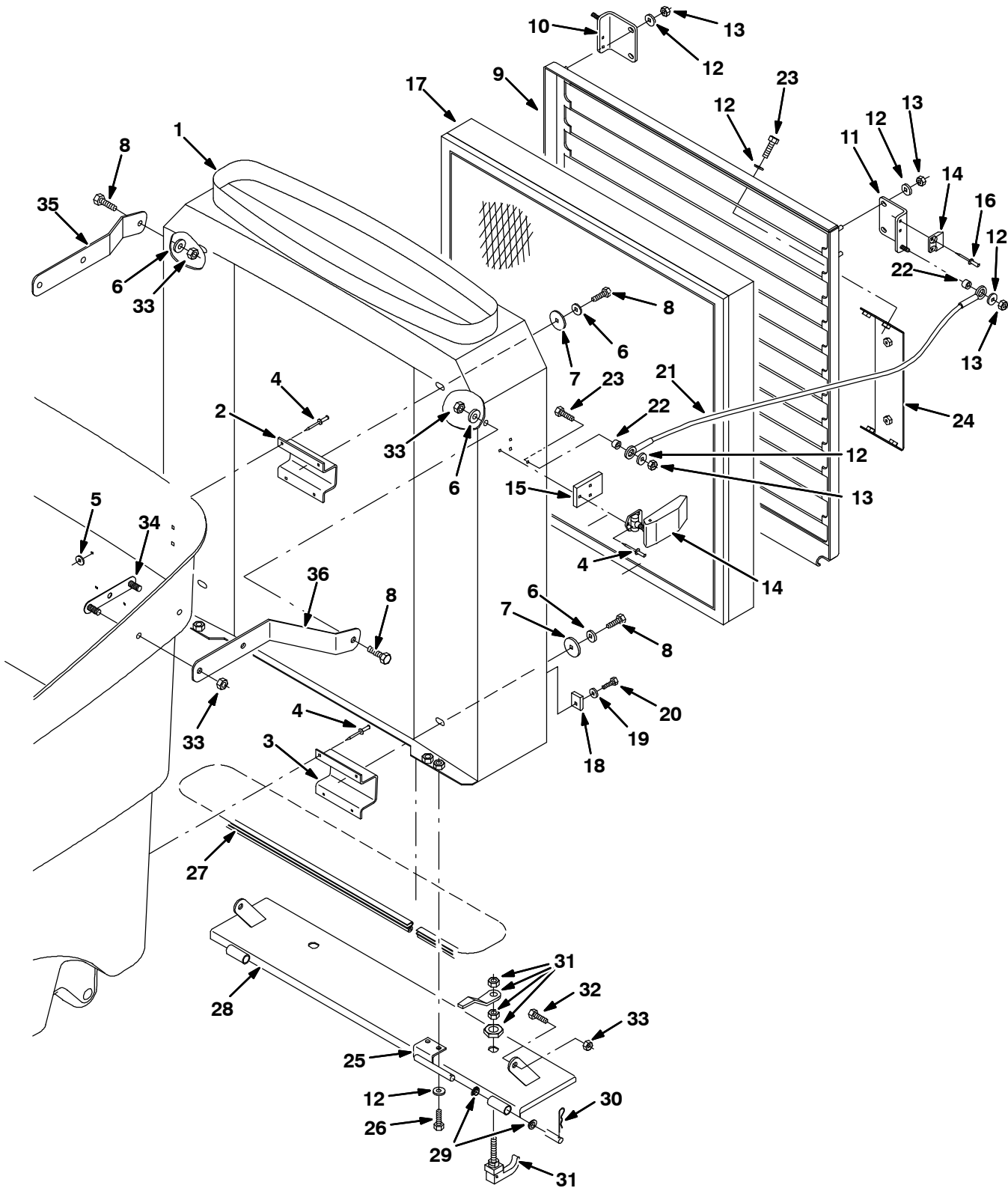


**Fig. 22 - Vacuum Wand Handle Group**

*NOTE: Vacuum Wand Kit, Tennant Part Number 367557, includes Fig. 21 and Fig. 22.*

<b>Ref.</b>	<b>Tennant Part No.</b>	<b>Machine Serial Number</b>	<b>Description</b>	<b>Qty.</b>
1	368355	(000000-	) Tube, Wand	1
2	368351	(000000-	) Tube, Floor Tool	1
3	01683	(000000-	) Washer, Flat, #10 Ss	6
4	06549	(000000-	) Nut, Hex, Lock, M05-0.8, NI	3
5	24199	(000000-	) Screw, Hex, M05-0.8 X 16, Ss	3
6	367554	(000000-	) Knob	1
7	59159	(000000-	) Screw, Hex, .38-16 X 1.75, Ss	1
8	01692	(000000-	) Nut, Hex, Std, .38-16, Ss	1
9	01686	(000000-	) Washer, Flat, .38 Ss	2
10	367785	(000000-	) Plate	1
11	368041	(000000-	) Bracket, Wand	1
12	367974	(000000-	) Strap, Wand	1
13	01685	(000000-	) Washer, Flat, .31 Ss	2
14	09010	(000000-	) Screw, Hex, M08-1.25 X 25, Ss	2
15	08713	(000000-	) Nut, Hex, Lock, M08-1.25,NI,Ss	2
16	368155	(000000-	) Valve, Body	1
17	368196	(000000-	) Plate Wldt, Valve	1
18	368208	(000000-	) Seal, Valve, 8.0	1
19	06947	(000000-	) Screw, Hex, M06-1.0 X 40, 8.8	4
20	08708	(000000-	) Nut, Hex, Lock, M06-1.0, Ni	4
21	01684	(000000-	) Washer, Flat, 0.25 Ss	8
22	382291	(000000-	) Grip, Vinyl	1
23	01495	(000000-	) Plug, Expandable, 0.75d	2

**Fig. 23 - Dust Filter Housing Group (Serial Number 00000-001535)**



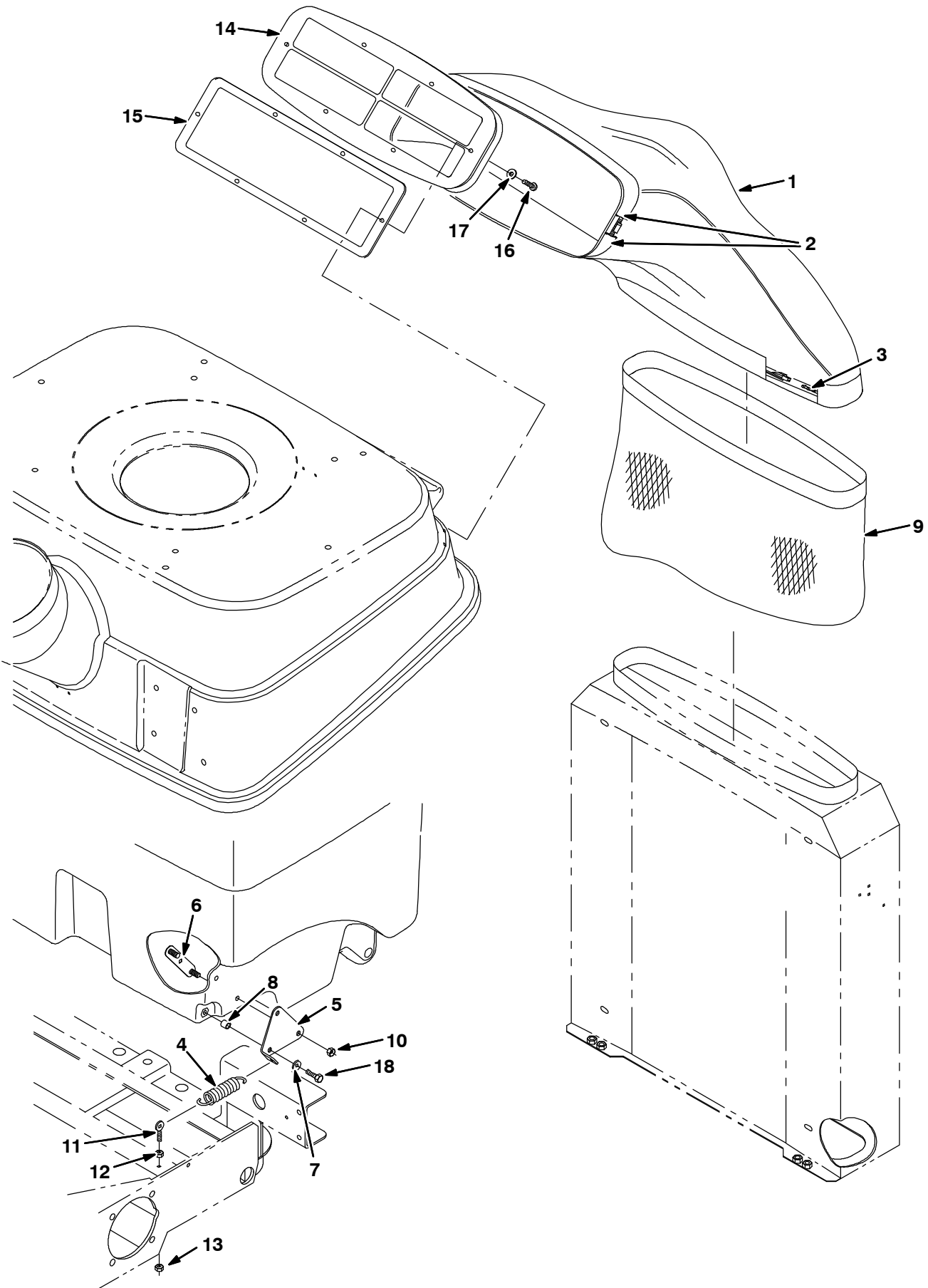


**Fig. 23 - Dust Filter Housing Group (Serial Number 000000-001535)**

NOTE: Dust Filter Kit, Tennant Part Number 367613, includes Fig. 23 and Fig. 24.

Ref.	Tennant Part No.	Machine Serial Number	Description	Qty.
1	368405	(000000-001535 )	Housing Assy, Dust Filter	1
2	367985	(000000-001535 )	Bracket, Mtg, Upper	2
3	367982	(000000-001535 )	Bracket, Mtg, Lower	2
4	80218	(000000-001535 )	Rivet, Pop .196dx.76x38dhd	22
5	08793	(000000-001535 )	Washer	16
6	01685	(000000-001535 )	Washer, Flat, .31 Ss	8
7	30013	(000000-001535 )	Washer, Flat, .31 Fender	4
8	09010	(000000-001535 )	Screw, Hex, M08-1.25 X 25, Ss	6
9	367994	(000000-001535 )	Door, Filter, Mtg	1
10	368221	(000000-001535 )	Bracket, Mtg, Rh	1
11	368254	(000000-001535 )	Bracket, Mtg, Lh	1
12	01684	(000000-001535 )	Washer, Flat, .25 Ss	16
13	08712	(000000-001535 )	Nut, Hex, Lock, M06-1.0, NI,Ss	8
14	368586	(000000-001535 )	Kit, Ci, Filter Latch	1
15	368253	(000000-001535 )	Plate, Latch (Repl. by 368586)	2
16	87821	(000000-001535 )	Rivet, Pop	4
17	1048226	(000000-001535 )	Filter, Panl, Syn, 2.2 X 25.0 X 25.0	1
18	368318	(000000-001535 )	Guide, Centering, Door	2
19	01683	(000000-001535 )	Washer, Flat, #10 Ss	2
20	55845	(000000-001535 )	Screw, Hex, Fmg, M05-0.8 X 16	2
21	19676	(000000-001535 )	Cable, Lanyard	2
22	80491	(000000-001535 )	Sleeve	4
23	15678	(000000-001535 )	Screw, Hex, M06-1.0 X 16, Ss	6
24	368263	(000000-001535 )	Bracket, Mtg, Label	1
25	368341	(000000-001535 )	Hinge Wldt, Door	2
26	08716	(000000-001535 )	Screw, Hex, M06-1.0 X 20, Ss	4
27	368340	(000000-001535 )	Seal, Door	1
28	368339	(000000-001535 )	Door Wldt, By-Pass	1
29	15877	(000000-001535 )	Bearing, Flange	4
30	08178	(000000-001535 )	Pin, Cotter	2
31	65695	(000000-001535 )	Latch	2
32	09740	(000000-001535 )	Screw, Hex, M08-1.25 X 20, Ss	2
33	08713	(000000-001535 )	Nut, Hex, Lock, M08-1.25,NI,Ss	8
34	368222	(000000-001535 )	Strip, Backing	2
35	368402	(000000-001535 )	Bracket, Support, Rh	1
36	368403	(000000-001535 )	Bracket, Support, Lh	1

Fig. 24 - Dust Filter Bag Group (Serial Number 000000-001535)

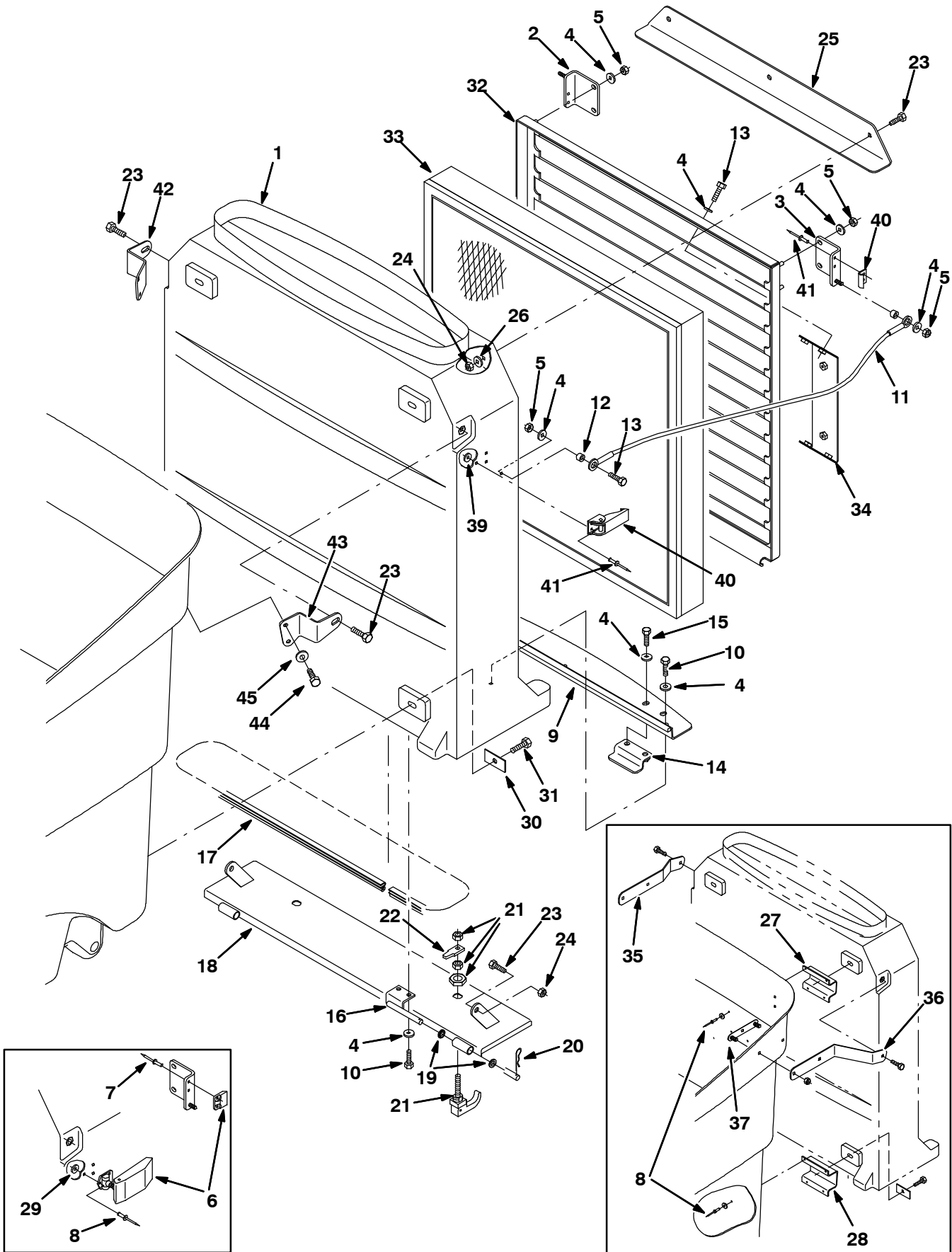


**Fig. 24 - Dust Filter Bag Group (Serial Number 000000-001535)**

*NOTE: Dust Filter Kit, Tennant Part Number 367613, includes Fig. 23 and Fig. 24.*

<b>Ref.</b>	<b>Tennant Part No.</b>	<b>Machine Serial Number</b>	<b>Description</b>	<b>Qty.</b>
1	367977	(000000-001535 )	Duct, Inlet, Filter	1
2	02363	(000000-001535 )	Clamp, Wormdrive	2
3	368333	(000000-001535 )	Clamp, Retaining	1
4	368197	(000000-001535 )	Spring, Tension	2
5	368392	(000000-001535 )	Plate, Mtg, Spring	2
6	368222	(000000-001535 )	Strip, Backing	2
7	01685	(000000-001535 )	Washer, Flat, .31 Ss	6
8	222460	(000000-001535 )	Sleeve	2
9	368541	(000000-001535 )	Bag, Vacuum, 30.0 Lg	1
10	08713	(000000-001535 )	Nut, Hex, Lock, M08 X 1.25,NI, Ss	6
11	48079	(000000-001535 )	Bolt, Eye, .25-20x1.1x .25 Eye	2
12	19312	(000000-001535 )	Nut, Hex, Std, .25-20	2
13	32981	(000000-001535 )	Nut, Hex, Lock, .25-20, NI	2
14	368382	(000000-001535 )	Bracket Assy, Vacuum Exhaust	1
15	368224	(000000-001535 )	Gasket, Vacuum Plate	1
16	09200	(000000-001535 )	Screw, Pan, M05-0.8 X 12, Ss	6
17	01683	(000000-001535 )	Washer, Flat, #10 Ss	6
18	09011	(000000-001535 )	Screw, Hex, M08 X 1.25 X 30, Ss	2

**Fig. 25 - Dust Filter Housing Group (Serial Number 001536- )**

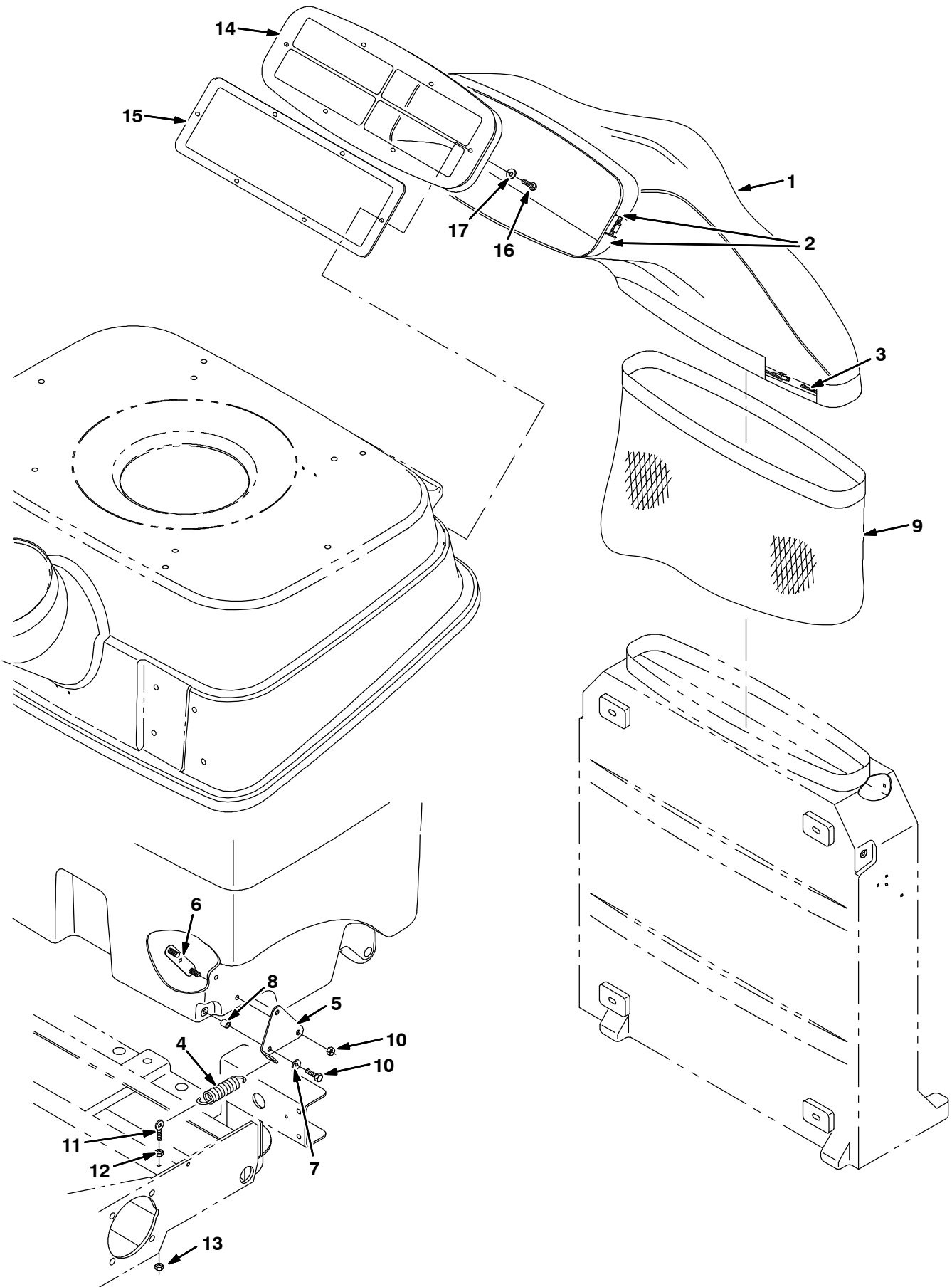


**Fig. 25 - Dust Filter Housing Group (Serial Number 001536-** )

*NOTE: Dust Filter Kit, Tennant Part Number 367613, includes Fig. 25 and Fig. 26.*

Ref.	Tennant Part No.	Machine Serial Number	Description	Qty.
1	367980	(001536-	Housing, Filter	1
2	368221	(001536-	Bracket, Mtg, Rh	1
3	368254	(001536-	Bracket, Mtg, Lh	1
4	01684	(001536-	Washer, Flt, .25 Ss	27
5	08712	(001536-	Nut, Hex, Lock, M06 X 1.0, NI, Ss	8
6	368586	(001536-001741	Kit, Ci, Filter Latch	1
7	87821	(001536-	Rivet, Blind, .187d X 0.44 X .38d, Alm	4
8	80218	(001536-	Rivet, Blind, .187d X 0.66 X .38d, Alm	22
9	368363	(001536-	Hinge Wldt, Door	1
10	08716	(001536-	Screw, Hex, M06 X 1.0 X 20, Ss	7
11	19676	(001536-	Cable, .09d, 13.0l, .38eye /.38eye	2
12	80491	(001536-	Sleeve	4
13	15678	(001536-	Screw, Hex, M06 X 1.0 X 16, Ss	6
14	368459	(001536-	Bracket, Latch	2
15	09007	(001536-	Screw, Hex, M06 X 1.0 X 25, Ss	4
16	368450	(001536-	Hinge Weldment, Door	2
17	368461	(001536-	Seal, Bulb, 56.25 Lg.	1
18	368339	(001536-	Door Wldt, By-Pass	1
19	15877	(001536-	Bushing, Flng, 0.38b 0.50d 0.25l, Nyl	4
20	08178	(001536-	Pin, Cotter, .062 X 0.75	2
21	65695	(001536-	Latch	2
22	20839	(001536-	Pawl	2
23	09740	(001536-	Screw, Hex, M08 X 1.25 X 20, Ss	7
24	08713	(001536-	Nut, Hex, Lock, M08 X 1.25,NI, Ss	5
25	368455	(001536-	Bracket, Mtg, Label	1
26	30013	(001536-	Washer, Flat, .31 Fender	3
27	367985	(001536-001887	Bracket, Mtg, Upper	2
28	367982	(001536-001887	Bracket, Mtg, Lower	2
29	08793	(001536-001887	Washer, 0.20b 0.50d .06, Alm	16
30	368411	(001536-	Strip, Mtg, Filter Hsg	4
31	09010	(001536-	Screw, Hex, M08 X 1.25 X 25, Ss	4
32	367994	(001536-	Door, Fltr	1
33	1048226	(001536-	Filter, Panl, Syn, 2.2 X 25.0 X 25.0	1
34	368263	(001536-	Bracket, Mtg, Label	1
35	368402	(001536-001887	Bracket, Support, Rh	1
36	368403	(001536-001887	Bracket, Support, Lh	1
37	368222	(001536-001887	Strip, Backing	2
38	01685	(001536-	Washer, Flt, .31 Ss	2
39	368679	(001742-	Washer, 0.16B 0.44D .06, Alm, [Pop Rvt]	4
40	368584	(001742-	Latch	2
41	763075	(001742-	Rivet, Blind, .156d X 0.71 X .31d	8
42	368408	(001888-	Bracket, Sppt, Rh	1
43	368409	(001888-	Bracket, Sppt, Lh	1
44	11329	(001888-	Screw, Hex, M06 X 1.0 X 16, Ss, NI	4
45	19066	(001888-	Washer, Flt, #10	4

Fig. 26 - Dust Filter Bag Group (Serial Number 001536- )

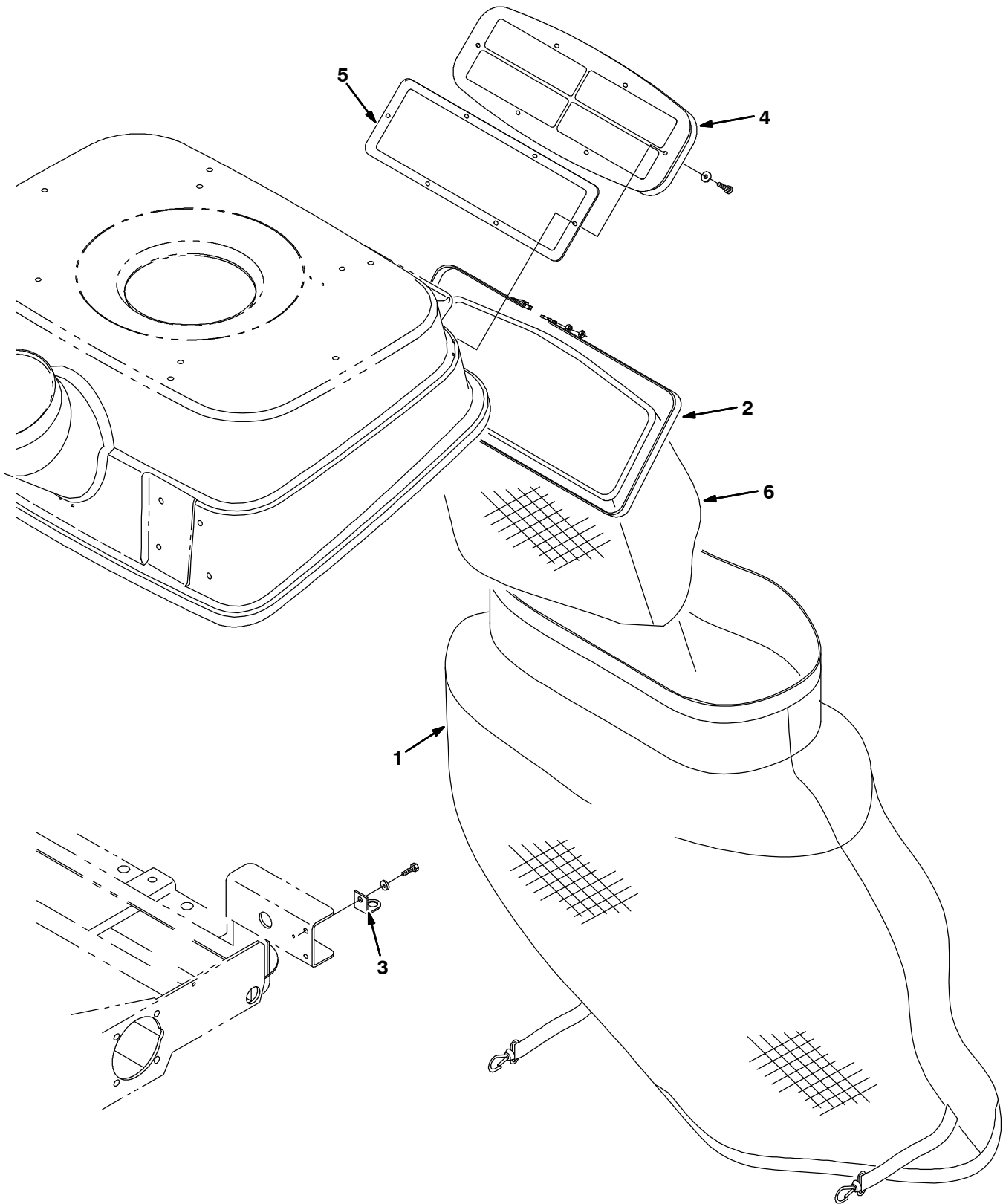


**Fig. 26 - Dust Filter Bag Group (Serial Number 001536- )**

*NOTE: Dust Filter Kit, Tennant Part Number 367613, includes Fig. 25 and Fig. 26.*

<b>Ref.</b>	<b>Tennant Part No.</b>	<b>Machine Serial Number</b>	<b>Description</b>	<b>Qty.</b>
1	367977	(001536-	) Duct, Inlet, Filter	1
2	02363	(001536-	) Clamp, Wormdrive	2
3	368333	(001536-	) Clamp, Retaining	1
4	368197	(001536-	) Spring, Tension	2
5	368392	(001536-	) Plate, Mtg, Spring	2
6	368222	(001536-	) Strip, Backing	2
7	01685	(001536-	) Washer, Flat, .31 Ss	6
8	222460	(001536-	) Sleeve	2
9	368541	(001536-	) Bag, Vacuum, 30.0 Lg	1
10	08713	(001536-	) Nut, Hex, Lock, M08 X 1.25,NI, Ss	6
11	48079	(001536-	) Bolt, Eye, .25-20x1.1x .25 Eye	2
12	19312	(001536-	) Nut, Hex, Std, .25-20	2
13	32981	(001536-	) Nut, Hex, Lock, .25-20, NI	2
14	368382	(001536-	) Bracket Assy, Vacuum Exhaust	1
15	368224	(001536-	) Gasket, Vacuum Plate	1
16	09200	(001536-	) Screw, Pan, M05-0.8 X 12, Ss	6
17	01683	(001536-	) Washer, Flat, #10 Ss	6
18	09011	(001536-	) Screw, Hex, M08 X 1.25 X 30, Ss	2

Fig. 27 - Dust Bag Kit

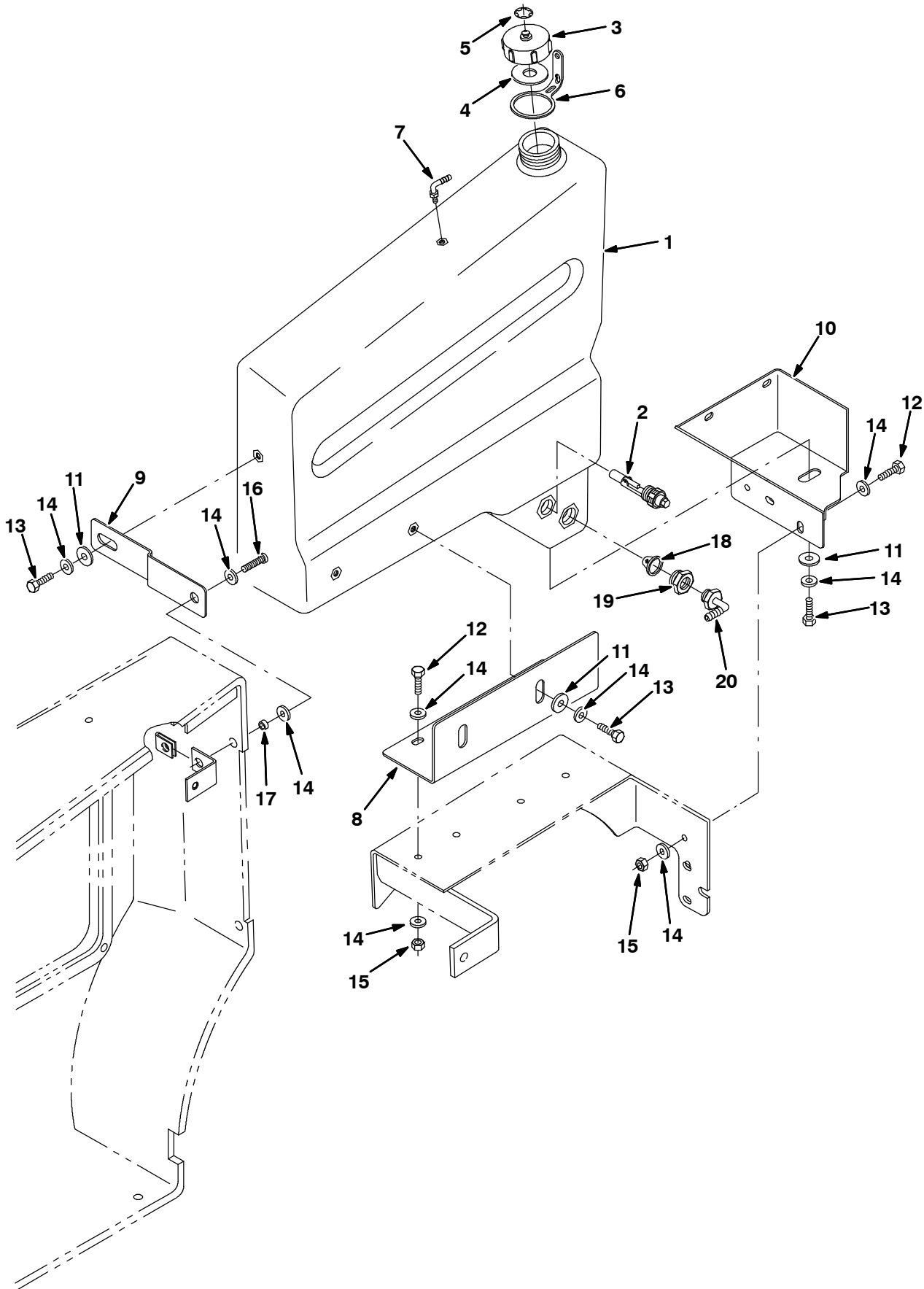




**Fig. 27 - Dust Bag Kit**

	<b>Ref.</b>	<b>Tennant Part No.</b>	<b>Machine Serial Number</b>	<b>Description</b>	<b>Qty.</b>
▽		368106	(000000-	) Kit, Ci, Bag, Dust, [Atlv4300]	1
▲	1	368329	(000000-	) Bag, Filter	1
▲	2	368333	(000000-	) Clamp, Retaining	1
▲	3	368133	(000000-	) Angle, Mtg, Stl, .12 1.8 1.6 01.2L	2
▲	4	368382	(000000-	) Bracket Assy, Vacuum Exhaust	1
▲	5	368224	(000000-	) Gasket, Plate, Vacuum	1
▲	6	368541	(000000-	) Bag, Vacuum, 30.0 Lg	1

Fig. 28 - Water Dust Control Tank Group

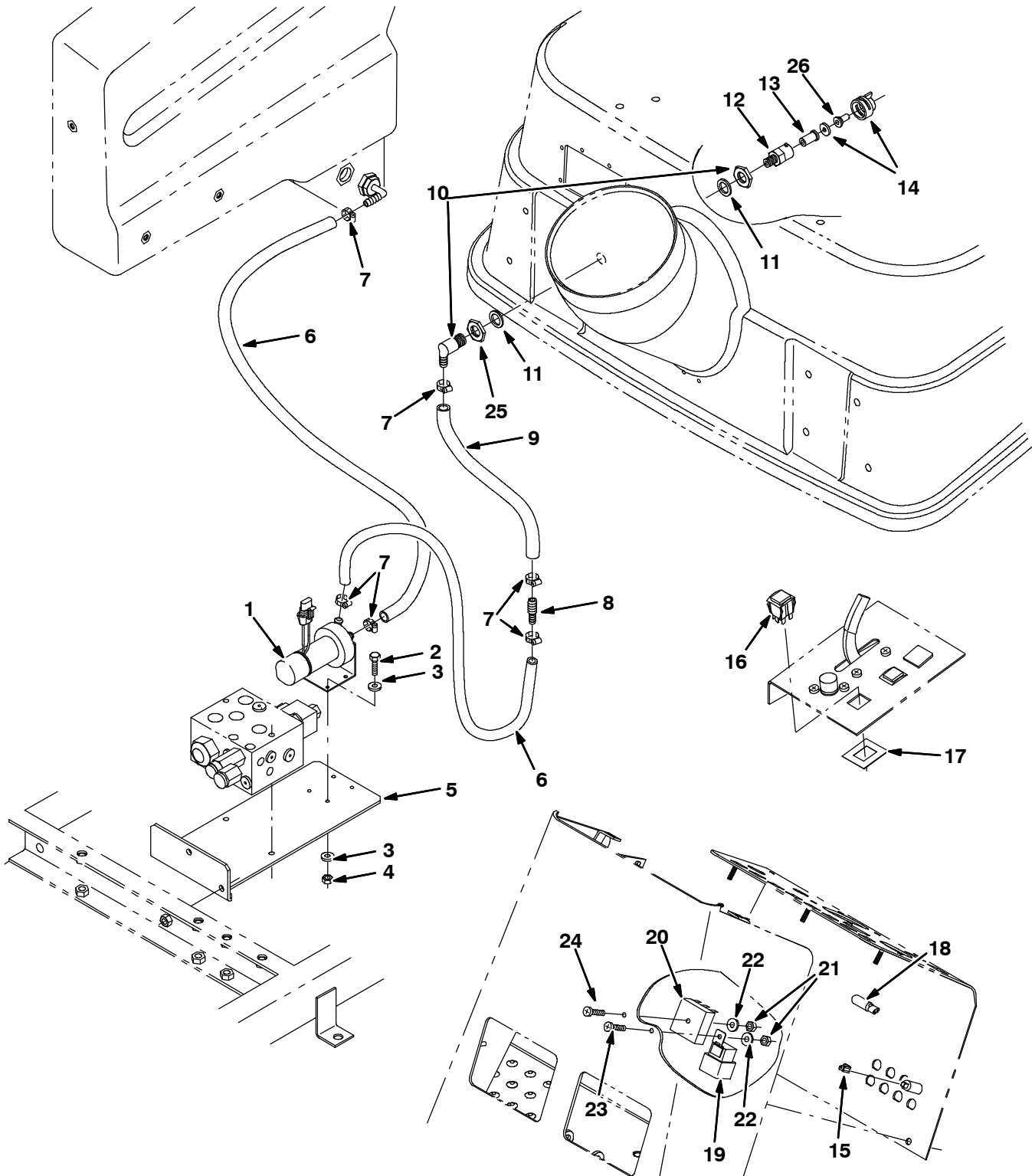


**Fig. 28 - Water Dust Control Tank Group**

*NOTE: Water Dust Control Kit, Tennant Part Number 368612, includes Fig. 28, Fig. 29 and Fig. 30.*

<b>Ref.</b>	<b>Tennant Part No.</b>	<b>Machine Serial Number</b>	<b>Description</b>	<b>Qty.</b>
1	368608	(000000-	) Tank, Water, Dust Control, [Atlv]	1
2	382410	(000000-	) Switch, Level, Water	1
3	32613	(000000-	) Cap, Tank, Drain, 2.25 Thread Pye	1
4	32614	(000000-	) Gasket, Cap	1
5	32669	(000000-	) Ring, Retaining, Ext, 0.75d, Ss	1
6	32508	(000000-	) Strap	1
7	57248	(000000-	) Fitting, Plstc, E90, Bm06/Pm04	1
8	368631	(000000-	) Bracket, Front	1
9	368630	(000000-	) Plate, Top	1
10	368626	(000000-	) Bracket, Rear	1
11	13248	(000000-	) Washer, 0.40B 1.12D .12, Stl, PI	3
12	16735	(000000-	) Screw, Hex, M08 X 1.25 X 16, 8.8	4
13	09740	(000000-	) Screw, Hex, M08 X 1.25 X 20, Ss	4
14	32491	(000000-	) Washer, Flt, .31 Std	12
15	08709	(000000-	) Nut, Hex, Lock, M08 X 1.25,NI	4
16	17288	(000000-	) Screw, Btn, M08 X 1.25 X 35, Ss	1
17	222516	(000000-	) Sleeve, P/M, 0.496D 0.318B 0.31L 430Ss	1
18	382298	(000000-	) Strainer, Sprayer	1
19	382299	(000000-	) Fitting, Plstc, Str, Pm16/Pf08	1
20	03394	(000000-	) Fitting, Plstc, E90, Bm06/Pm08	1

Fig. 29 - Water Dust Control Pump Group



**Fig. 29 - Water Dust Control Pump Group**

NOTE: Water Dust Control Kit, Tennant Part Number 368612, includes Fig. 28, Fig. 29 and Fig. 30.

Ref.	Tennant Part No.	Machine Serial Number	Description	Qty.
1	382138	(000000-	) Pump, Water, 12vdc, 0.5gpm Psi	1
2	24199	(000000-	) Screw, Hex, M05 X 0.8 X 16, Ss	4
3	01683	(000000-	) Washer, Flt, #10 Ss	8
4	07784	(000000-	) Nut, Hex, Std, M05 X 0.8 , Ss	4
5	368625	(000000-	) Bracket, Mtg, Valve, And Pump	1
6	365113	(000000-	) Hose, Pvc, Clr, 0.41id 0.60od 42.00l	2
7	43844	(000000-	) Clamp, Hose, Wormdrive, 0.25-0.62d	6
8	222375	(000000-	) Fitting, Plstc, Str, Bm06/Bm08	1
9	223515	(000000-	) Hose, Pvc, Brd, 0.50id 0.75od 14.00l	1
10	382423	(000000-	) Mount, Nozzle	1
11	63468	(000000-	) Washer, 0.69B 1.19D .06, Stl, PI	2
12	382425	(000000-	) Housing, Nozzle	1
13	382433	(000000-	) Strainer, Fluid	1
14	382426	(000000-	) Cap, Nozzle, Spray	1
15	378953	(000000-	) Connector	1
16	222117	(000000-	) Switch	1
17	80326	(000000-	) Plate	1
18	222290	(000000-	) Diode, Ele, Plug	1
19	56186	(000000-	) Relay, 12vdc, 40a, Spdt, [Potter]	1
20	382421	(000000-	) Timer, [4 Sec On 6 Sec Off, 12 Volt]	1
21	08708	(000000-	) Nut, Hex, Lock, M06 X 1.0, NI	2
22	32483	(000000-	) Washer, Flt, .25 Sae	2
23	87308	(000000-	) Screw, Hex, M06 X 1.0 X 12, 8.8	1
24	33944	(000000-	) Screw, Pan, M06 X 1.0 X 35, 4.8	1
25	382446	(000000-	) Nut, Hex, Jam, .69-16, Thin	1
26	382427	(000000-	) Nozzle, Spray, 0.07Gpm	1

Fig. 30 - Water Dust Control Wire Harness Group

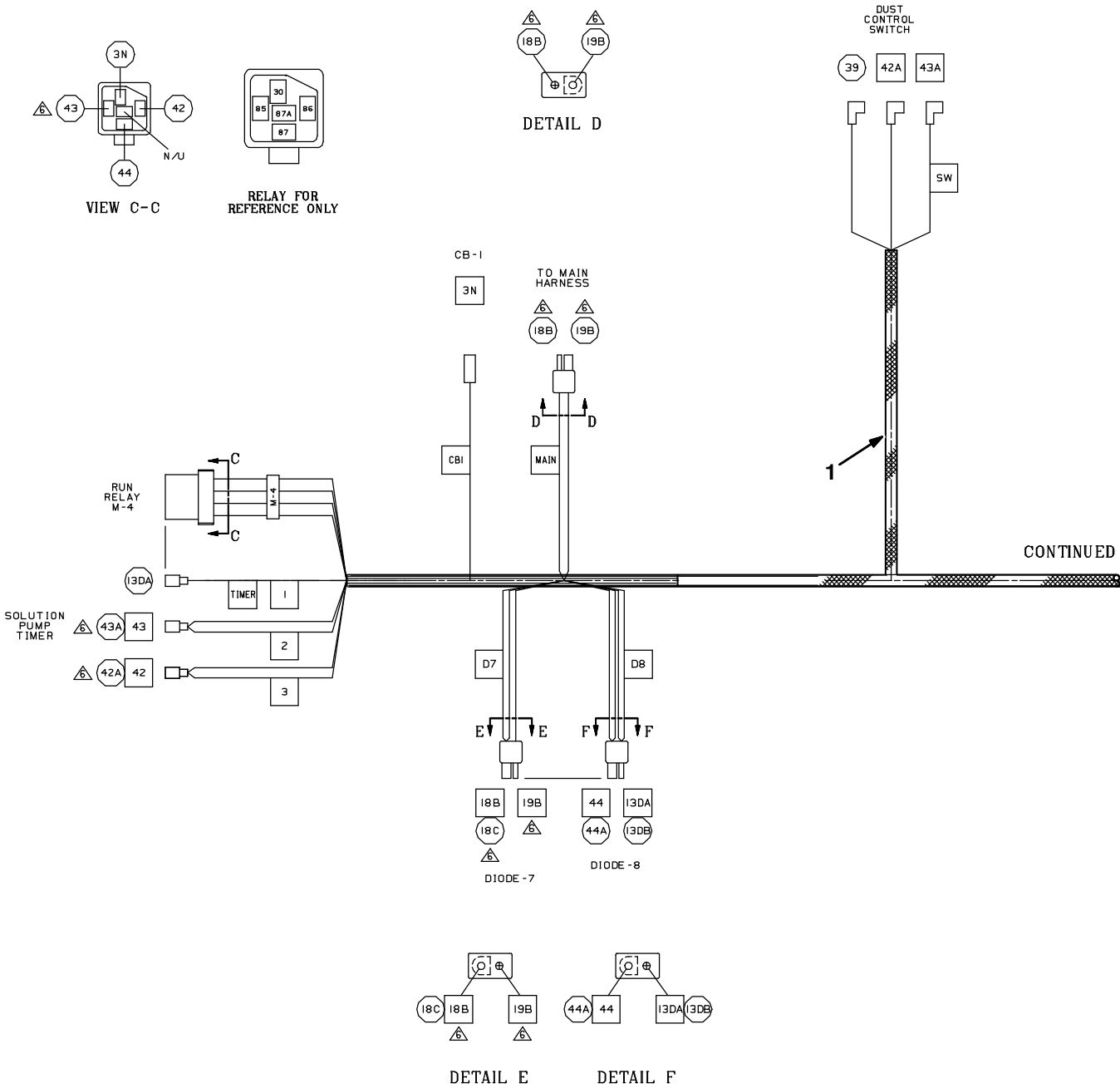
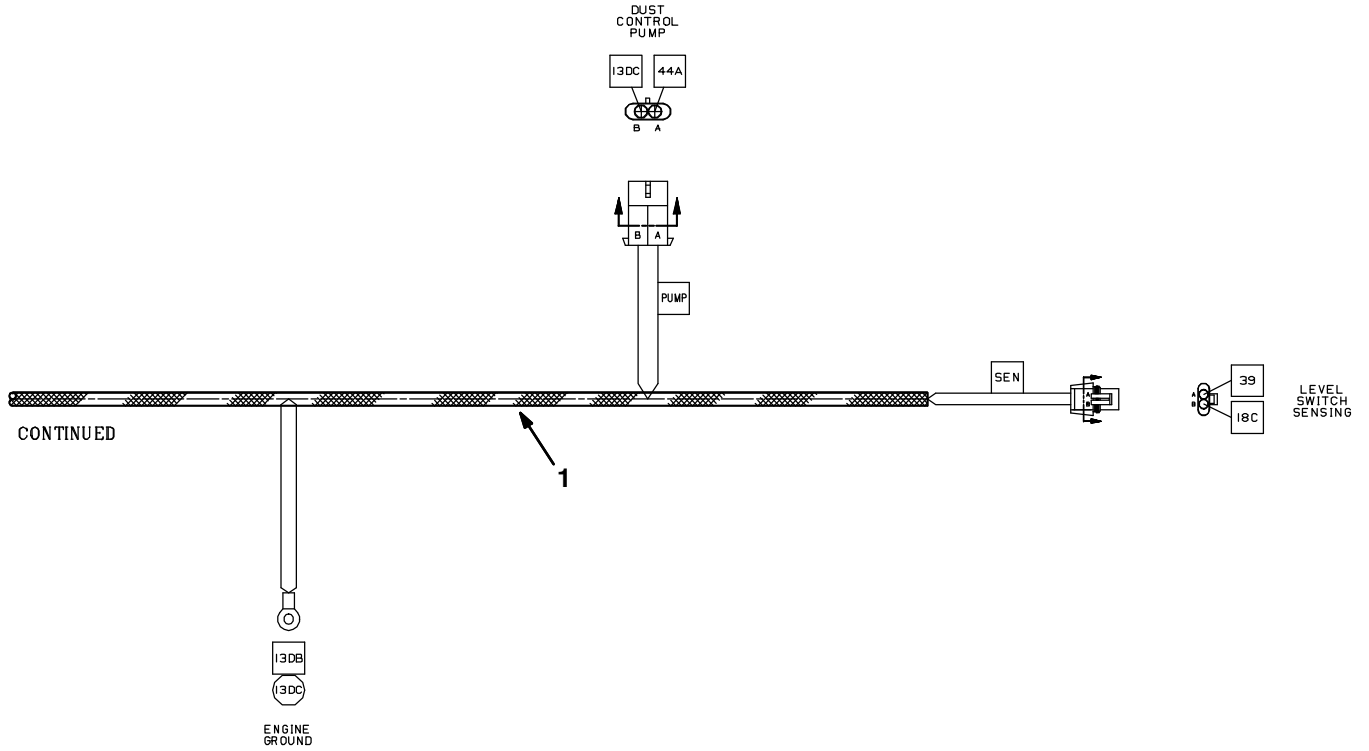


Fig. 30 - Water Dust Control Wire Harness Group



NOTE: Water Dust Control Kit, Tennant Part Number 368612, includes Fig. 28, Fig. 29 and Fig. 30.

Ref.	Tennant Part No.	Machine Serial Number	Description	Qty.
1	368543	(000000- )	Harness, Water, Dust Control, [Atlv]	1

**Fig. 31 - Water Dust Control Electrical Schematic**

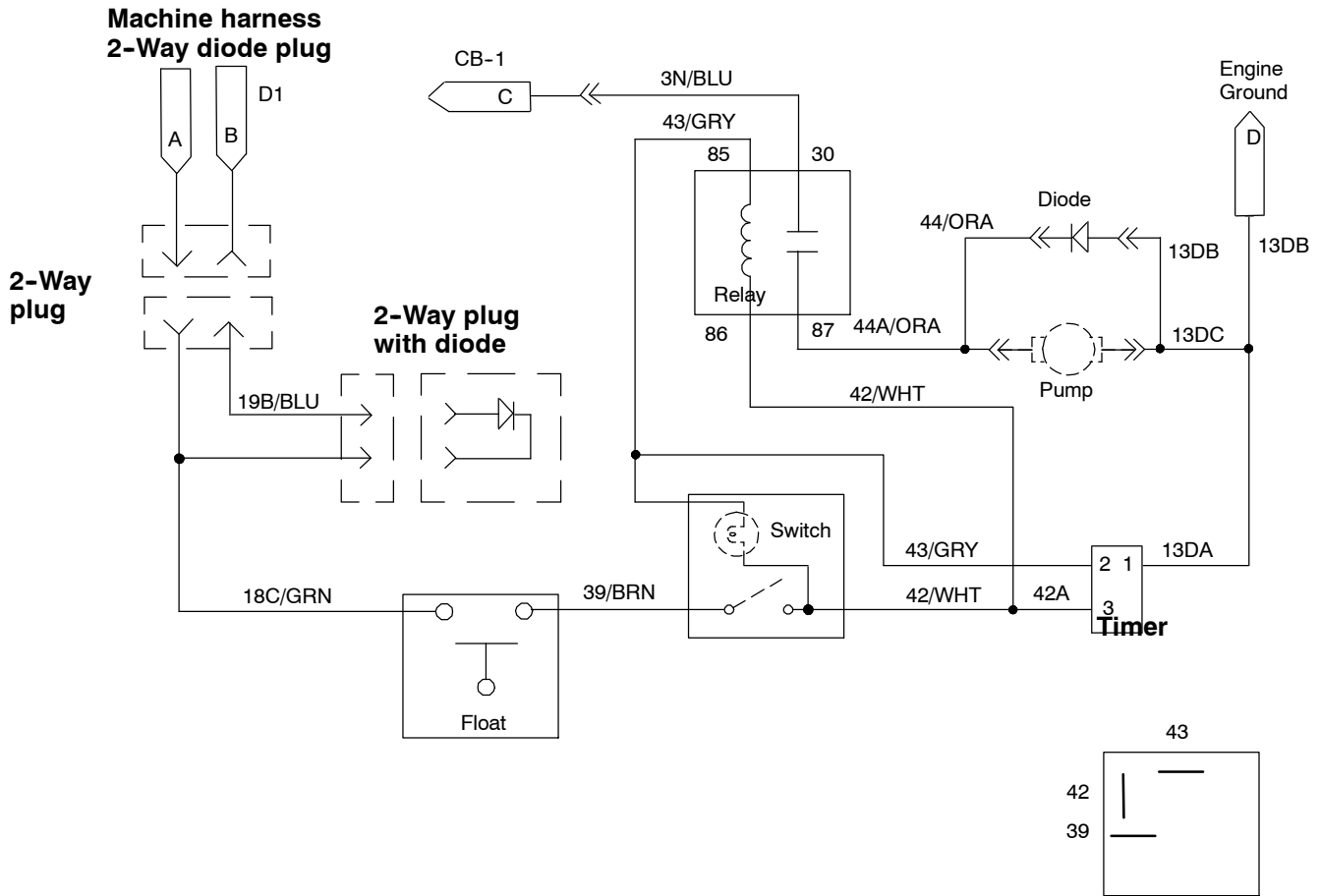
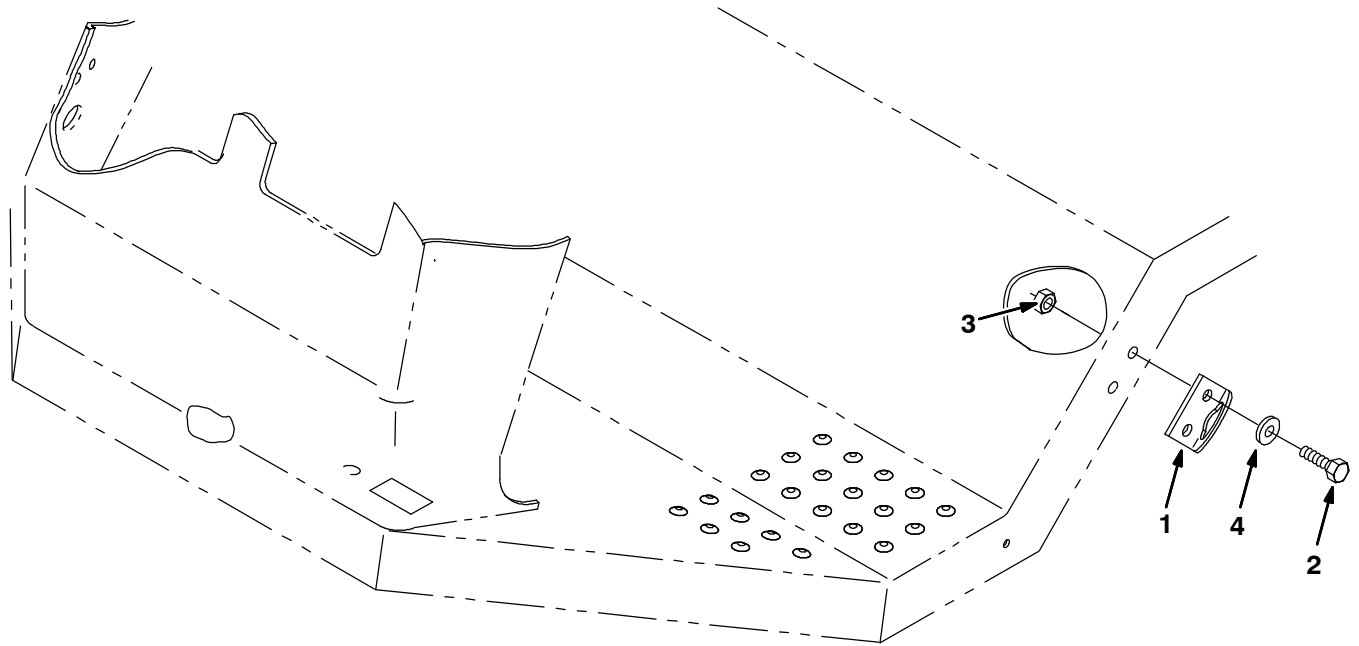




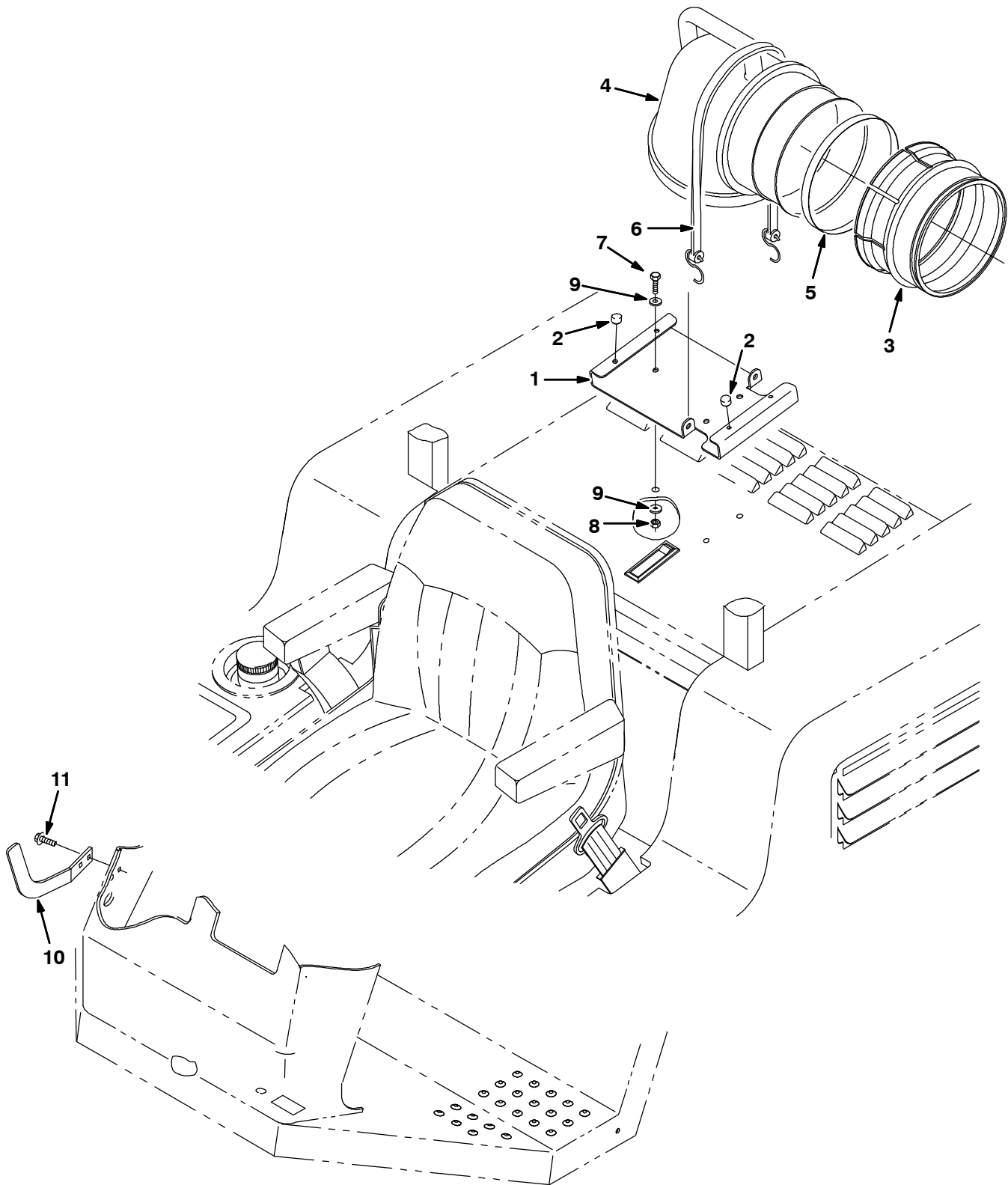
Fig. 32 - Transport Kit



352760

Ref.	Tennant Part No.	Machine Serial Number	Description	Qty.
▽	368049	(000000- )	Kit, Transport	1
▲ 1	368104	(000000- )	Bracket, Tie-Down, Rear	2
▲ 2	09028	(000000- )	Screw, Hex, M10-1.5 X 25, Ss	4
▲ 3	07792	(000000- )	Nut, Hex, Flange, M10-1.5	4
▲ 4	01686	(000000- )	Washer, Flat, .38 Ss	4

Fig. 33 - Fenceline Kit



**Fig. 33 - Fenceline Kit**

	<b>Ref.</b>	<b>Tennant Part No.</b>	<b>Machine Serial Number</b>	<b>Description</b>	<b>Qty.</b>
▽		367558	(000000-	) Kit, Fence Line	1
▲	1	367975	(000000-	) Bracket, Elbow, Fence	1
▲	2	51787	(000000-	) Bumper, Rubber	4
▲	3	367973	(000000-	) Ring, Split, Plastic	1
▲	4	367314	(000000-	) Elbow, Fence	1
▲	5	367972	(000000-	) Clamp, Hose, 8.00	1
▲	6	33671	(000000-	) Strap, Rubber	1
▲	7	09740	(000000-	) Screw, Hex, M08-1.25 X 20, Ss	3
▲	8	08709	(000000-	) Nut, Hex, Lock, M08-1.25,NI	3
▲	9	01685	(000000-	) Washer, Flat, .31 Ss	6
▲	10	368143	(000000-	) Bracket, Hanger	1
▲	11	76099	(000000-	) Screw, Hex, Fmg, M08-1.25X 25	2

Fig. 34 - Open Cab Kit

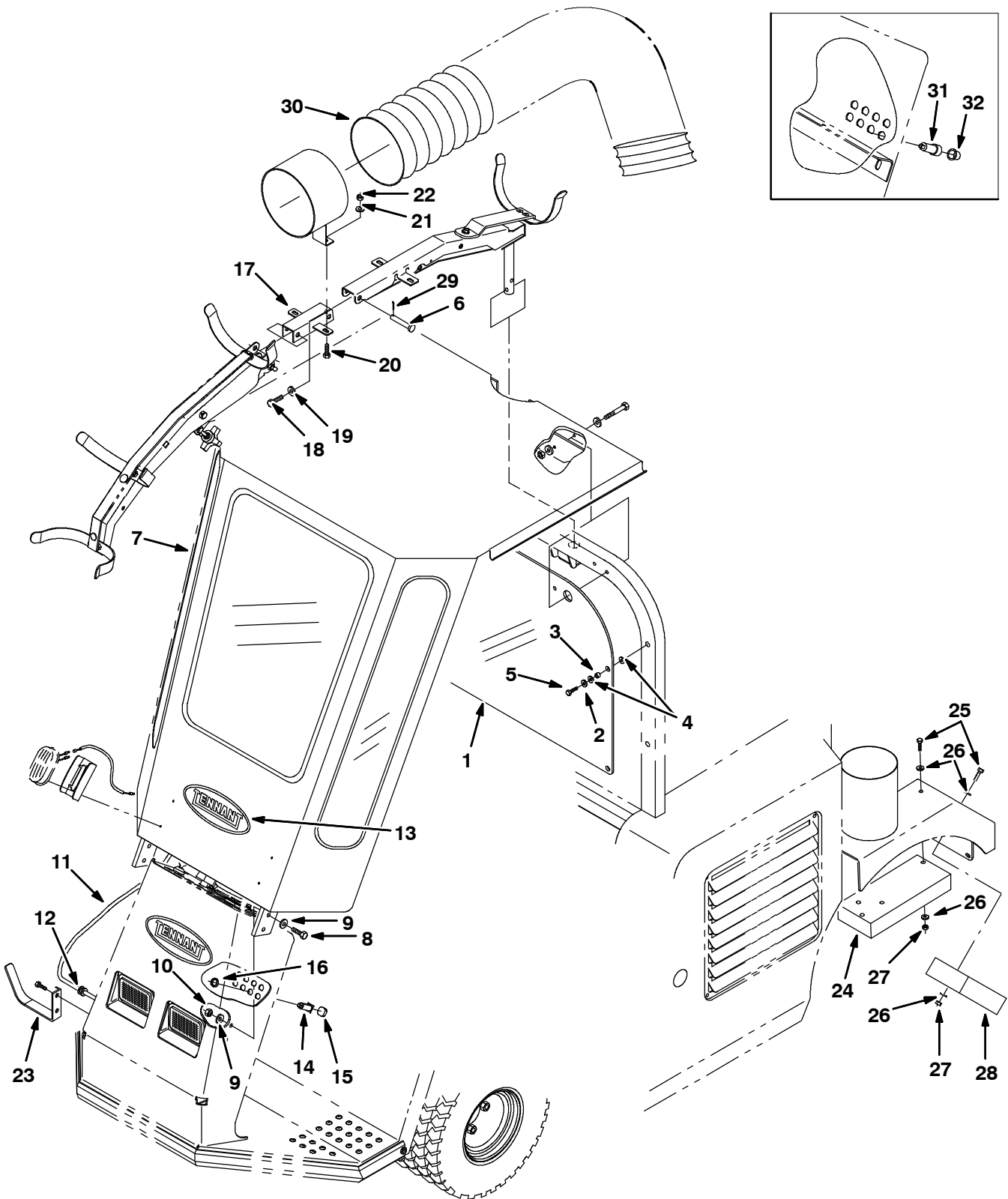


Fig. 34 - Open Cab Kit

Ref.	Tennant Part No.	Machine Serial Number	Description	Qty.
▽	367615	(000000-	) Kit, Cab, Open	1
▲	1 368019	(000000-	) Pane, Window	1
▲	2 01684	(000000-	) Washer, Flat, .25 Ss	6
▲	3 222516	(000000-	) Sleeve	4
▲	4 46147	(000000-	) Washer	8
▲	5 24594	(000000-	) Screw, Hex, .25-20 X 0.75, Fmg	6
▲	6 51103	(000000-	) Pin, Clevis, 0.50DX2.62L	1
▲	7 368020	(000000-	) Cab, Open (See Breakdowns)	1
▲	8 77347	(000000-	) Screw, Hex, M10-1.5 X 35, Ss	4
▲	9 01686	(000000-	) Washer, Flat, .38 Ss	8
▲	10 41430	(000000-	) Nut, Hex, Lock, M10-1.5, NI	4
▲	11 367406	(000000-	) Harness, Windshield Wiper	1
▲	12 10632-11	(000000-	) Grommet, Rubber	1
▲	13 86877	(000000-	) Label, Tennant Logo	1
▲	14 1045858	(xxxxxx-	) Circuitbreaker, 15A, Resetable	1
▲	15 1046173	(xxxxxx-	) Boot, Circuitbreaker	1
▲	16 1046176	(xxxxxx-	) Ring, Retaining, Circuitbreaker	1
▲	17 368142	(000000-	) Bracket, Mtg, Vacuum Hose	1
▲	18 09028	(000000-	) Screw, Hex, M10-1.5 X 25, Ss	1
▲	19 01686	(000000-	) Washer, Flat, .38 Ss	1
▲	20 09740	(000000-	) Screw, Hex, M08-1.25 X 20, Ss	2
▲	21 01685	(000000-	) Washer, Flat, .31 Ss	2
▲	22 08709	(000000-	) Nut, Hex, Lock, M08-1.25,NI	2
▲	23 368144	(000000-	) Bracket, Hanger	1
▲	24 368183	(000000-	) Weight, Stabilizer	2
▲	25 09026	(000000-	) Screw, Hex, M08-1.25 X 40, Ss	7
▲	26 01685	(000000-	) Washer, Flat, .31 Ss	14
▲	27 08709	(000000-	) Nut, Hex, Lock, M08-1.25,NI	5
▲	28 368182	(000000-	) Weight, Stabilizer	2
▲	29 08182	(000000-	) Pin, Cotter, .125X1.00	2
▲	30 368165	(000000-	) Hose, Vacuum, 8.0	1
	31 57803	(000000-xxxxxx	) Circuitbreaker, 15 A	1
	32 57751	(000000-xxxxxx	) Boot	1

Fig. 35 - Turbo Engine Group

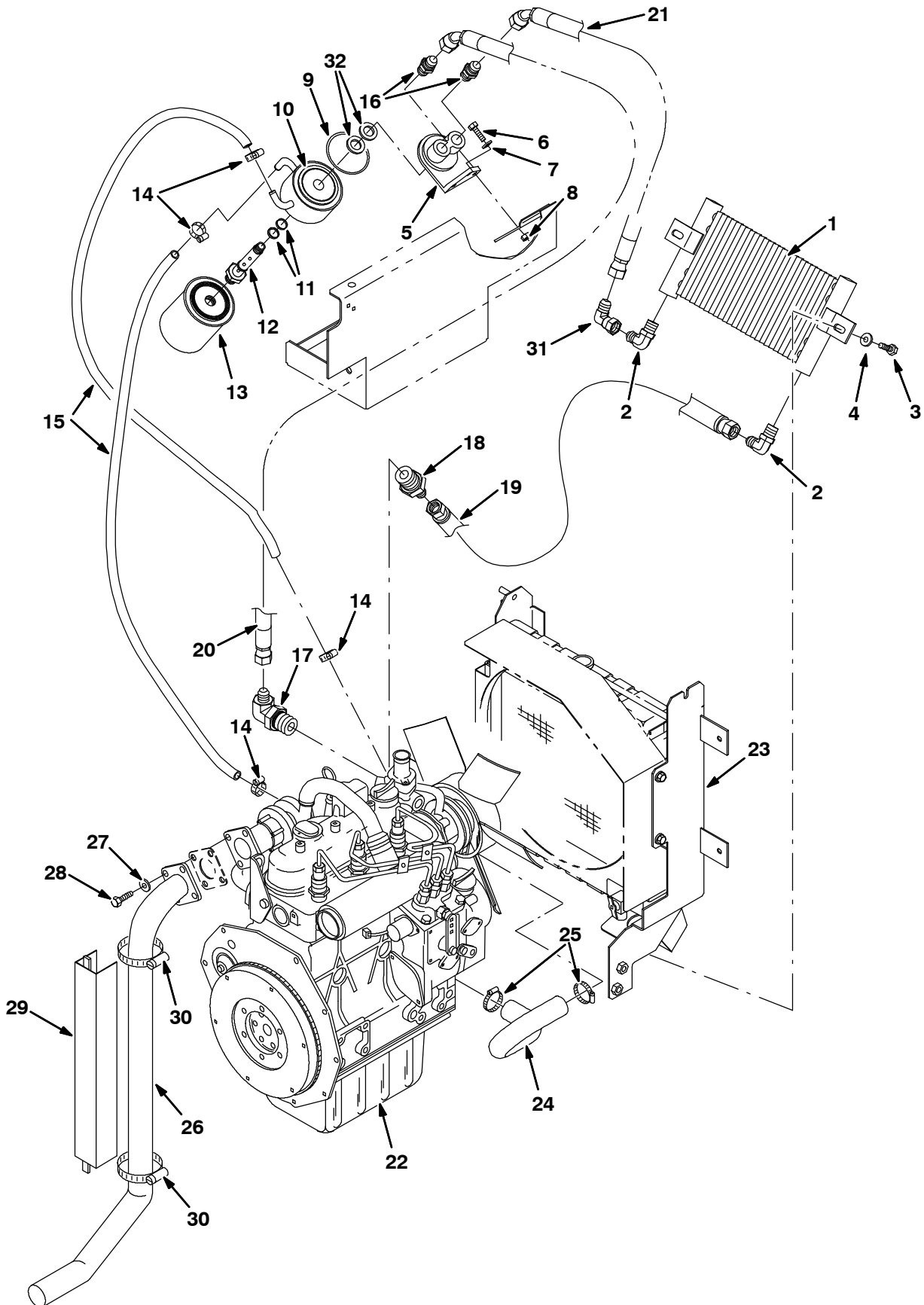


Fig. 35 - Turbo Engine Group

Ref.	Tennant Part No.	Machine Serial Number	Description	Qty.
1	382287	(000000-	) Cooler, Hyd	1
2	44868	(000000-	) Fitting, Hyd E90 Jm08-OM08	2
3	16931	(000000-	) Screw, Hex, M08-1.25 X 20, 8.8	2
4	39349	(000000-	) Washer, Flat, .31 Sae	2
5	364972	(000000-	) Bracket	1
6	39277	(000000-	) Screw, Hex, M08-1.25 X 25, 8.8	3
7	39349	(000000-	) Washer, Flat, .31 Sae	3
8	07791	(000000-	) Nut, Hex, Flange, M08-1.25	8
9	70907	(000000-	) Seal, Oring	1
10	368307	(000000-	) Cooler, Oil	1
11	82226	(000000-	) Washer, 0.91B 1.38D .06, Stl, PI	2
12	368303	(000000-	) Kit, Holder	1
13	55849	(000000-	) Element, Filter, Oil	1
14	54333	(000000-	) Clamp, Wormdrive	4
15	368246	(000000-	) Hose, Water	2
16	15687	(000000-	) Fitting, Hyd, Str, Pm08/Jm08	2
17	33595	(000000-	) Fitting, Hyd, Elbow, Metric	1
18	367591	(000000-	) Fitting, Hyd	1
19	367574	(000000-	) Hose, Hyd	1
20	368417	(000000-	) Hose, Hyd	1
21	361032	(000000-	) Hose, Hyd,Low08, Jf08str /Jf08e45 , 24.0	1
22	367024	(000000-xxxxxx	) Engine, Die, Turbo, (See Turbo Engine Breakdowns)	1
22	1040949	( xxxxxx-	) Enigne, Dsl, 33 Hp Turbo [KUBO 2008] (See Turbo Engine Breakdowns)	1
23	367818	(000000-	) Bracket Wldt, Radiator, Mtg	1
24	367056	(000000-	) Hose, Coolant, Mold, 1.00id To 1.00id	1
25	11399	(000000-	) Clamp, Wormdrive	2
26	368194	(000000-	) Pipe, Exhaust, Die, Turbo	1
27	43952	(000000-	) Washer, Lock, Int, .31, Ss	4
28	09010	(000000-	) Screw, Hex, M08-1.25 X 25, Ss	4
29	368247	(000000-	) Guard, Tailpipe	1
30	11531	(000000-	) Clamp, Wormdrive	2
31	17980	(000000-	) Fitting, Hyd, E90, Jm08/Jf08	1
32	368680	(000000-	) Spacer, 1.00Id X 1.375Od X .048T	2

Fig. 36 - Turbo Air Cleaner (000000-003016)

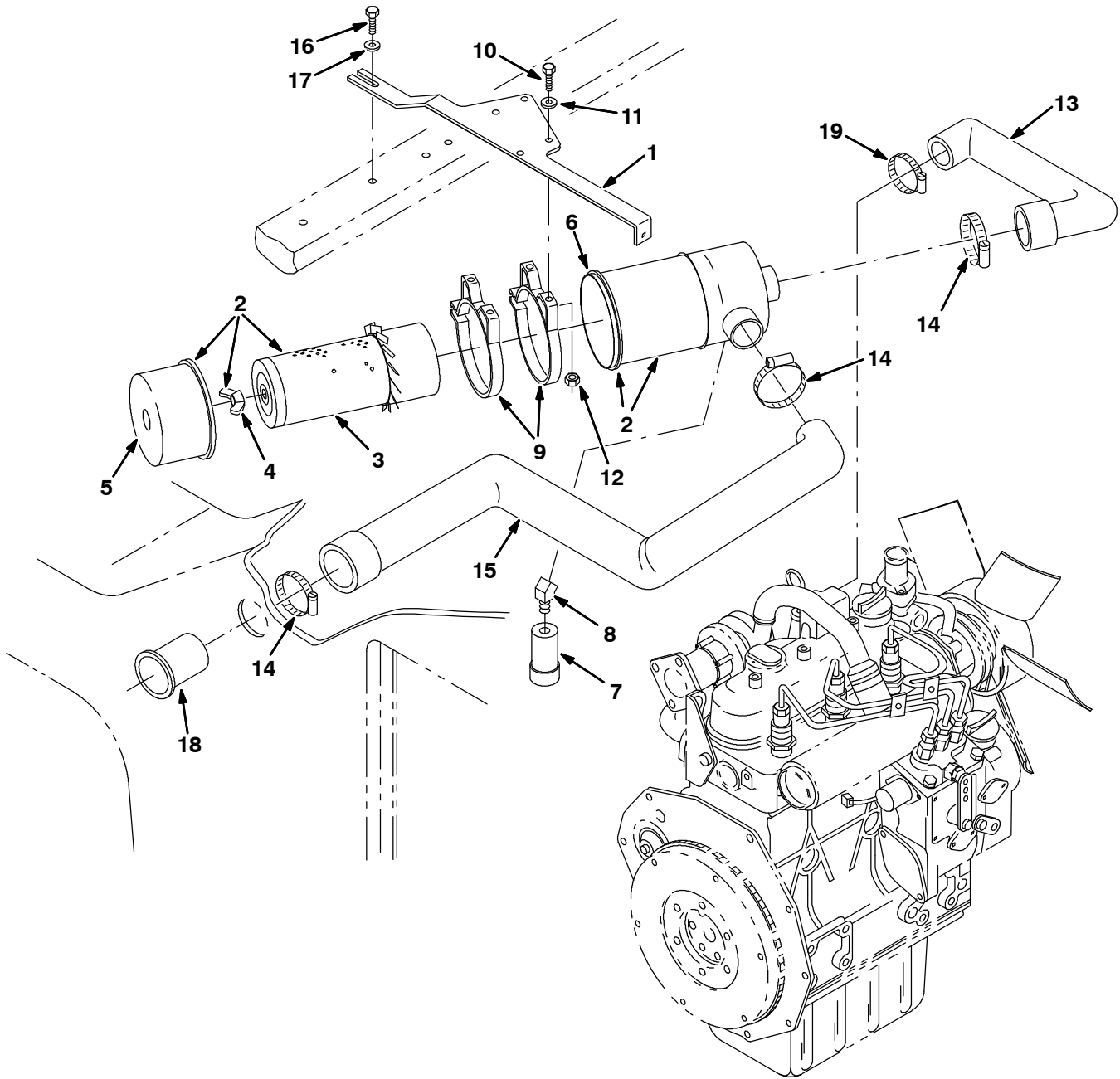




Fig. 36 - Turbo Air Cleaner (000000-003016)

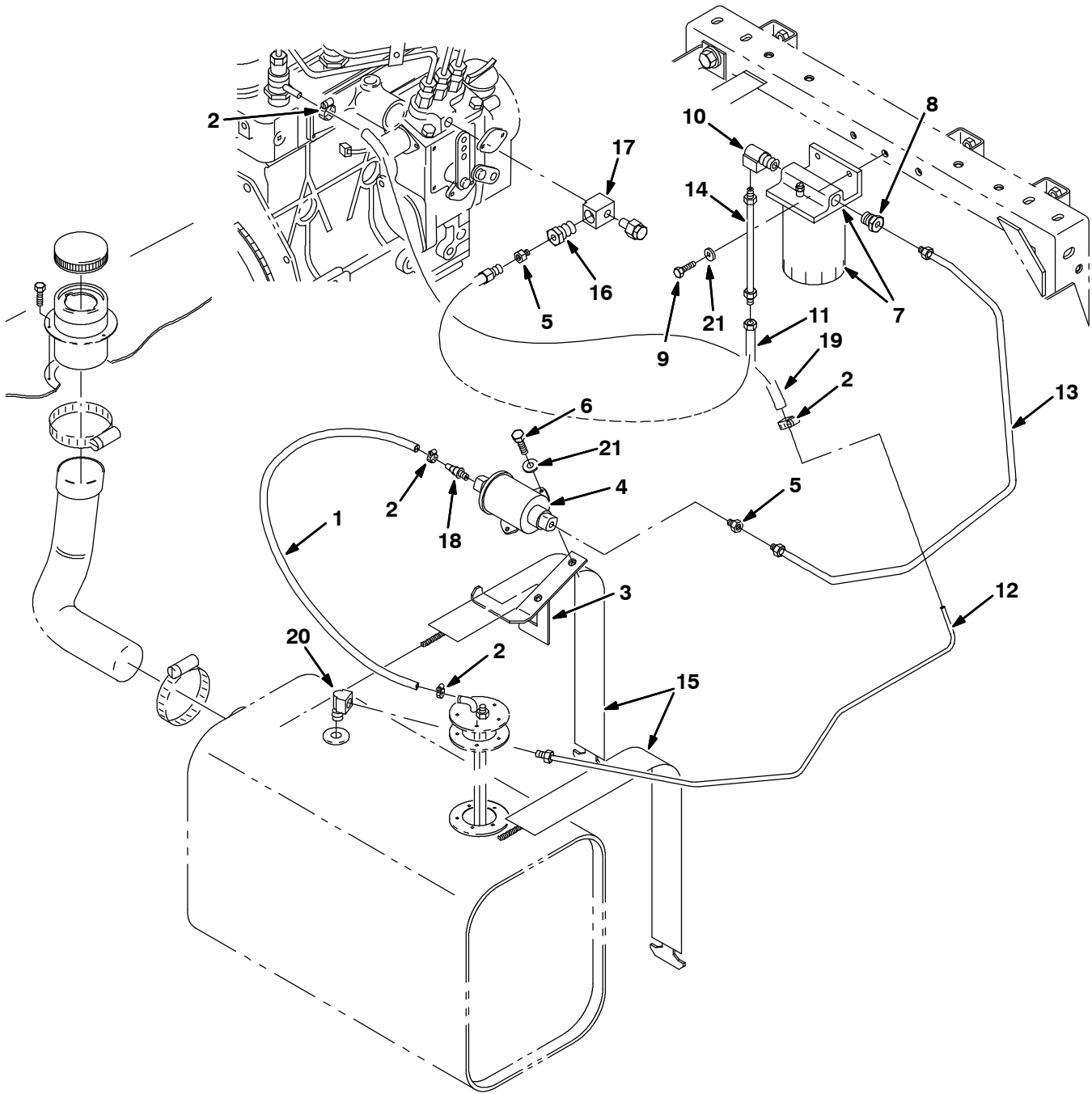
Ref.	Tennant Part No.	Machine Serial Number	Description	Qty.
	1	368210	(000000-003016 ) Brace, Support	1
▽	2	360707	(000000-003016 ) Cleaner, Air	1
▲	3	361201	(000000-003016 ) Element, Filter, Air	1
▲	4	361323	(000000-003016 ) Nut Assy	1
▲	5	361325	(000000-003016 ) Cup Assy	1
▲	6	361324	(000000-003016 ) Clamp Assy	1
	7	03026	(000000-003016 ) Indicator, Air Filter	1
	8	24976	(000000-003016 ) Fitting, Brass, Elbow	1
	9	360708	(000000-003016 ) Band, Mtg, Air Cleaner	2
	10	16931	(000000-003016 ) Screw, Hex, M08-1.25 X 20, 8.8	4
	11	32491	(000000-003016 ) Washer, Flat, .31 Hard	4
	12	08709	(000000-003016 ) Nut, Hex, Lock, M08-1.25,NI	4
	13	368209	(000000-003016 ) Hose, Intake, Die	1
	14	22297	(000000-003016 ) Clamp, Wormdrive	3
	15	368211	(000000-003016 ) Hose, Air, Intake	1
	16	06944	(000000-003016 ) Screw, Hex, M06-1.0 X 25, 8.8	2
	17	32490	(000000-003016 ) Washer, Flat, .25 Hard	2
	18	58346	(000000-003016 ) Tube	1
	19	79381	(000000-003016 ) Clamp, Wormdrive	1



Fig. 37 - Turbo Air Cleaner (003017- )

	Ref.	Tennant Part No.	Machine Serial Number	Description	Qty.
▽	1	1046302	(003017-	) Filter Assy, Air	1
▲	2	382493	(003017-	) Element, Fltr, Air	1
	3	382101	(003017-	) Bracket, Mtg, Fltr, Air	1
	4	16931	(003017-	) Screw, Hex, M8 X 1.25 X 20, 8.8	2
	5	32491	(003017-	) Washer, Flat, 0.31, Std	4
	6	08709	(003017-	) Nut, Hex, Lock, M8 X 1.25, NI	2
	7	03026	(003017-	) Indicator, Service, Fltr, Air [20h20 Dn]	1
	8	47566	(003017-	) Fitting, Hyd, Str, Pm02/Pm02	1
	9	368209	(003017-	) Hose, Intake, Mold, 1.25ld 1.75ld [ATLV]	1
	10	22297	(003017-	) Clamp, Hose, Wormdrive, 1.56-2.50d, .50w	4
	11	58346	(003017-	) Tube, Intake, 2.0d 02.0l, Flng	1
	12	364845	(003017-	) Hose, Flex, Vacuum, 02.0d, 038.0l	1
	13	20903	(003017-	) Guard, Intake, Air, Eng	1
	14	72970	(003017-	) Rivet, Plstc, .250d X 0.90	4
	15	1048350	(003017-	) Cuff, 2.0 Id Hose, 1.75id X 2.0d	1

Fig. 38 - Turbo Fuel Tank Group



**Fig. 38 - Turbo Fuel Tank Group**

<b>Ref.</b>	<b>Tennant Part No.</b>	<b>Machine Serial Number</b>	<b>Description</b>	<b>Qty.</b>
1	365190	(000000-	) Hose, Fuel, .312d 22.0l	1
2	43844	(000000-	) Clamp, Wormdrive	4
3	368219	(000000-	) Bracket, Mtg, Pump, Fuel	1
4	59015	(000000-	) Pump, Fuel	1
5	40585	(000000-	) Fitting, Brass, Str	2
6	06942	(000000-	) Screw, Hex, M06-1.0 X 16, 8.8	2
7	1016827	(000000-	) Filter Assy, Fuel, Dsl	1
	1017826	(000000-	) Filter, Fuel, Element	1
8	78043	(000000-	) Fitting, Brass, Str	1
9	06943	(000000-	) Screw, Hex, M06-1.0 X 20, 8.8	2
10	15555-2	(000000-	) Fitting, Brass, Elbow	1
11	70173	(000000-	) Hose, Fuel	1
12	368236	(000000-	) Fuelline, Eng, Turbo, Die	1
13	368227	(000000-	) Fuelline, Eng, Turbo, Die	1
14	367417	(000000-	) Fuelline	1
15	367249	(000000-	) Strap, Gas	2
16	24698	(000000-	) Fitting, Str	1
17	360872	(000000-	) Fitting, Banjo, Fuel	1
18	82544	(000000-	) Fitting, Brass, Str	1
19	367597	(000000-	) Hose, Fuel	1
20	53078	(000000-	) Fitting, Brass, Elbow	1
21	32490	(000000-	) Washer, Flat, .25 Hard	4

**Fig. 39 - Documentation Group**

07501

<b>Ref.</b>	<b>Tennant Part No.</b>	<b>Machine Serial Number</b>	<b>Description</b>	<b>Qty.</b>
	330510	(000000-	) Manual Pkg 4300	1
	330511	(000000-	) Manual, Fiche, 4300	1
	330495	(000000-	) Manual, Service, 4300	1
	1052094	(000000-	) Video, Oprtr, Training, Dvd [ATLV]	1
	330512	(000000-	) Manual, Operator, 4300 ES	1
	330513	(000000-	) Manual, Operator, 4300 FR	1

## SECTION 4

<b>Contents</b>	<b>Page</b>
Fig. 1 - Front Axle Breakdown, 368360 . . . .	4-2
Fig. 2 - Front Axle Breakdown, 398254 . . . .	4-4
Fig. 3 - Rear Brake Breakdowns, 367033 and 367034 . . . . .	4-6
Fig. 4 - Hydraulic Steering Cylinder Breakdown, 373401 . . . . .	4-8
Fig. 5 - Hydraulic Steering Valve Breakdown, 367128 . . . . .	4-10
Fig. 6 - Hydraulic Gear Pump Breakdown, 367081 . . . . .	4-12
Fig. 7 - Hydraulic Gear Pump Breakdown, 367107 . . . . .	4-14
Fig. 8 - Hydraulic Gear Pump Breakdown, 367105 . . . . .	4-16
Fig. 9 - Hydraulic Piston Pump Breakdown, 367129 . . . . .	4-18
Fig. 10 - Hydraulic Piston Pump Breakdown, 373387 . . . . .	4-20
Fig. 11 - Hydraulic Piston Pump Breakdown, 373425 . . . . .	4-22
Fig. 12 - Hydraulic Solenoid Valve Breakdown, 367106 . . . . .	4-24
Fig. 13 - Hydraulic Solenoid Valve Breakdown, 1049639 . . . . .	4-26
Fig. 14 - Open Cab Breakdown, 368020 . .	4-28

**Fig. 1 - Front Axle Breakdown, 368360**

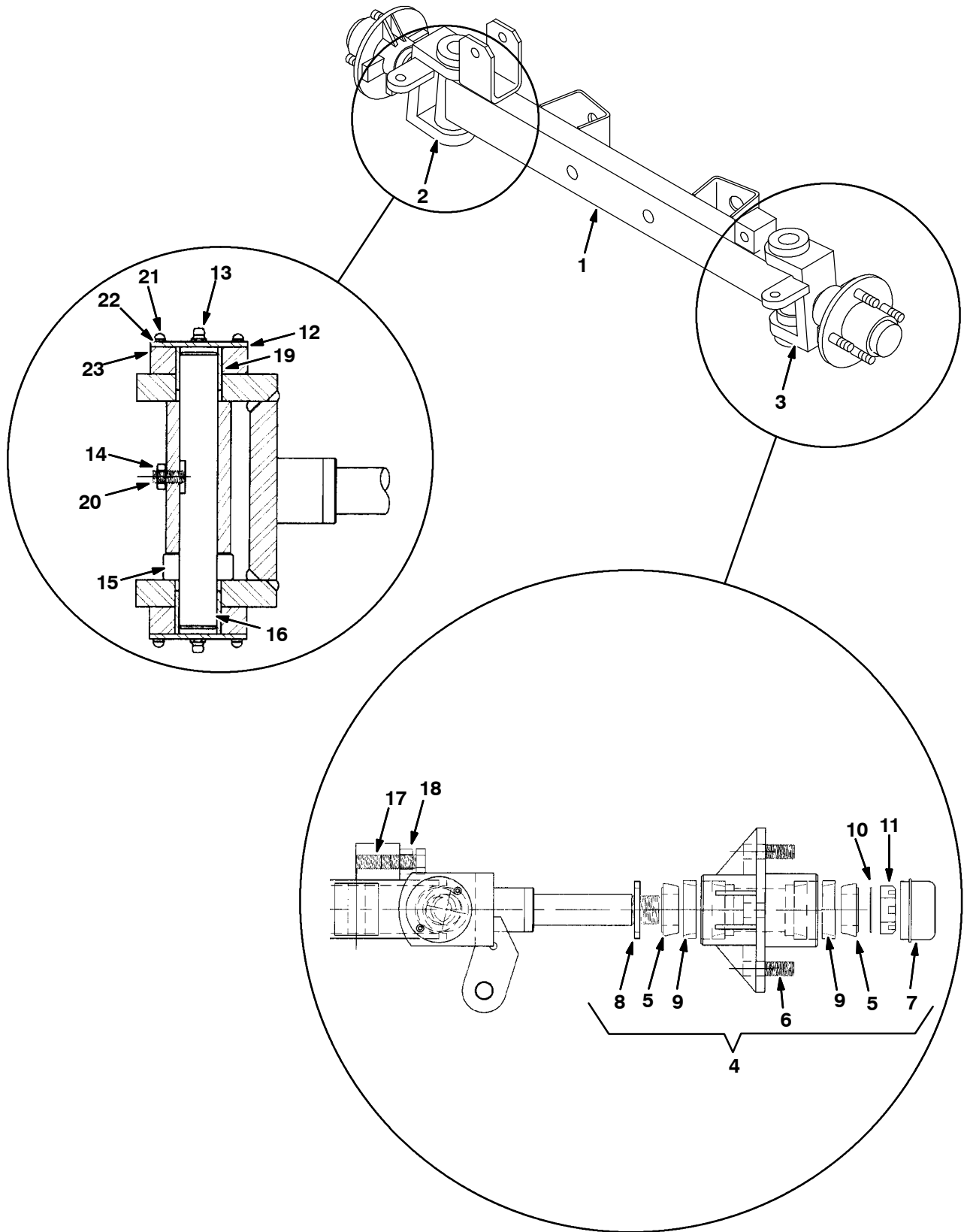




Fig. 1 - Front Axle Breakdown, 368360

	Ref.	Tennant Part No.	Manufacturer Serial Number	Description	Qty.
▽		368360	(000000-	) Axle Assy	1
▲	1	370895	(000000-	) Steering Axle	1
▲	2	368358	(000000-	) Yoke, Rh	1
▲	3	368357	(000000-	) Yoke, Lh	1
▲▽	4	370898	(000000-	) Hub, Complete	2
▲▲	5	370903	(000000-	) Bearing	2
▲▲	6	370907	(000000-	) Stud	4
▲▲	7	370911	(000000-	) Cap, Hub	1
▲▲	8	370906	(000000-	) Seal	1
▲▲	9	370902	(000000-	) Race, Bearing	2
▲	10	370909	(000000-	) Washer, Spindle	1
▲	11	370910	(000000-	) Nut, Slot Hex	1
▲▽	12	370905	(000000-	) Cap,Kingpin W/Zerk	4
▲▲	13	07259	(000000-	) Ftg, Grease	4
▲	14	32521	(000000-	) Nut, Jam	2
▲	15	370899	(000000-	) Thrust Bearing	2
▲	16	370900	(000000-	) King Pin	2
▲	17	48693	(000000-	) Screw Hhc	2
▲	18	01704	(000000-	) Nut, Hex Jam	2
▲	19	370901	(000000-	) Bushing	4
▲	20	76887	(000000-	) Screw, Set	2
▲	21	39234	(000000-	) Screw, Bhc	8
▲	22	07514	(000000-	) Washer, #10 Lock	8
▲	23	370904	(000000-	) Gasket, King Pin	4

**Fig. 2 - Front Axle Breakdown, 398254**

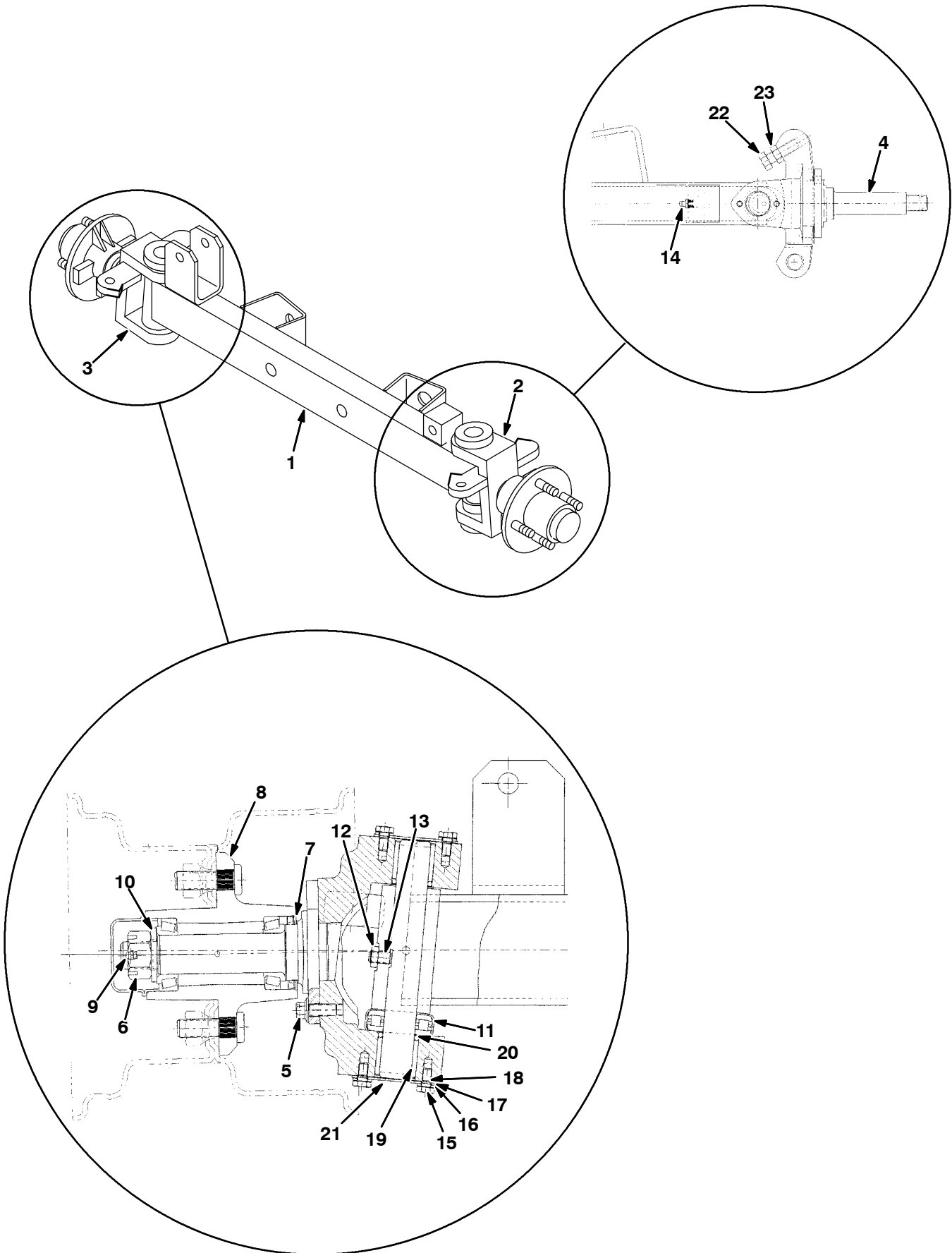
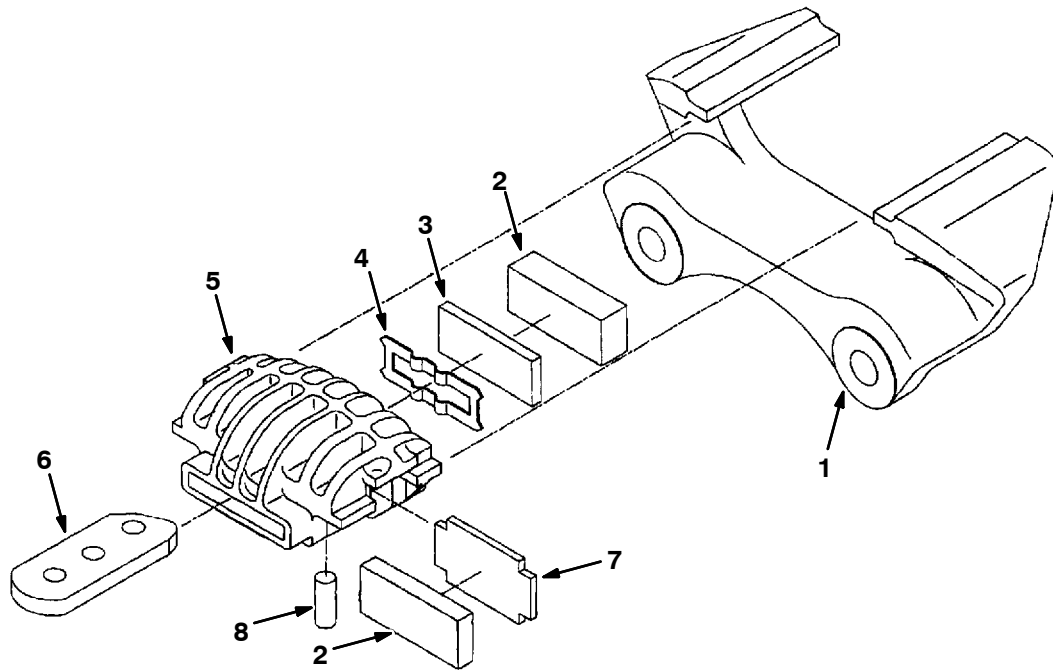


Fig. 2 - Front Axle Breakdown, 398254

	Ref.	Tennant Part No.	Manufacturer Serial Number	Description	Qty.
▽		398254	(000000-	) Axle Assy	1
▲	1	398255	(000000-	) Axle Assy, Main	1
▲	2	398256	(000000-	) Yoke, Steering, L.H.	1
▲	3	398257	(000000-	) Yoke, Steering, R.H.	1
▲	4	398258	(000000-	) Spindle	2
▲	5	398259	(000000-	) Screw, Mount, Spindle	8
▲	6	398260	(000000-	) Nut, Spindle	2
▲	7	398261	(000000-	) Seal, Hub	2
▲	8	398262	(000000-	) Kit, Hub Assy	2
▲	9	398263	(000000-	) Pin, Cotter	2
▲	10	398264	(000000-	) Washer	2
▲	11	398265	(000000-	) Bearing, Thrust, Pin, King	2
▲	12	398266	(000000-	) Nut, Jam	2
▲	13	398267	(000000-	) Screw, Set	2
▲	14	398268	(000000-	) Fitting, Grease	1
▲	15	398269	(000000-	) Screw, Cap	8
▲	16	398270	(000000-	) Washer	8
▲	17	398271	(000000-	) Cap, Pin, King	4
▲	18	398272	(000000-	) Gasket, Pin, King	4
▲	19	398273	(000000-	) Bearing, Pin, King	4
▲	20	398274	(000000-	) Gasket, Org	4
▲	21	398275	(000000-	) Pin, King	2
▲	22	398276	(000000-	) Screw, Stop, Steering	2
▲	23	398277	(000000-	) Nut, Jam	2

**Fig. 3 - Rear Brake Breakdowns, 367033 and 367034**



**Fig. 3 - Rear Brake Breakdowns, 367033 and 367034**

NOTE: The repair parts are the same for the Left Brake, 367033 and for the Right Brake, 367034.

Ref.	Tenant Part No.	Manufacturer Serial Number	Description	Qty.
1	370913	(000000-	) Bracket	1
2	370914	(000000-	) Kit, Brake Pad	1
3	370915	(000000-	) Support, Pad	1
4	370916	(000000-	) Spring,Lever Ret	1
5	370917	(000000-	) Housing	1
6	370918	(000000-	) Cam	1
7	370919	(000000-	) Support, Pad	1
8	370921	(000000-	) Pin, Pivot	1

**Fig. 4 - Hydraulic Steering Cylinder Breakdown, 373401**

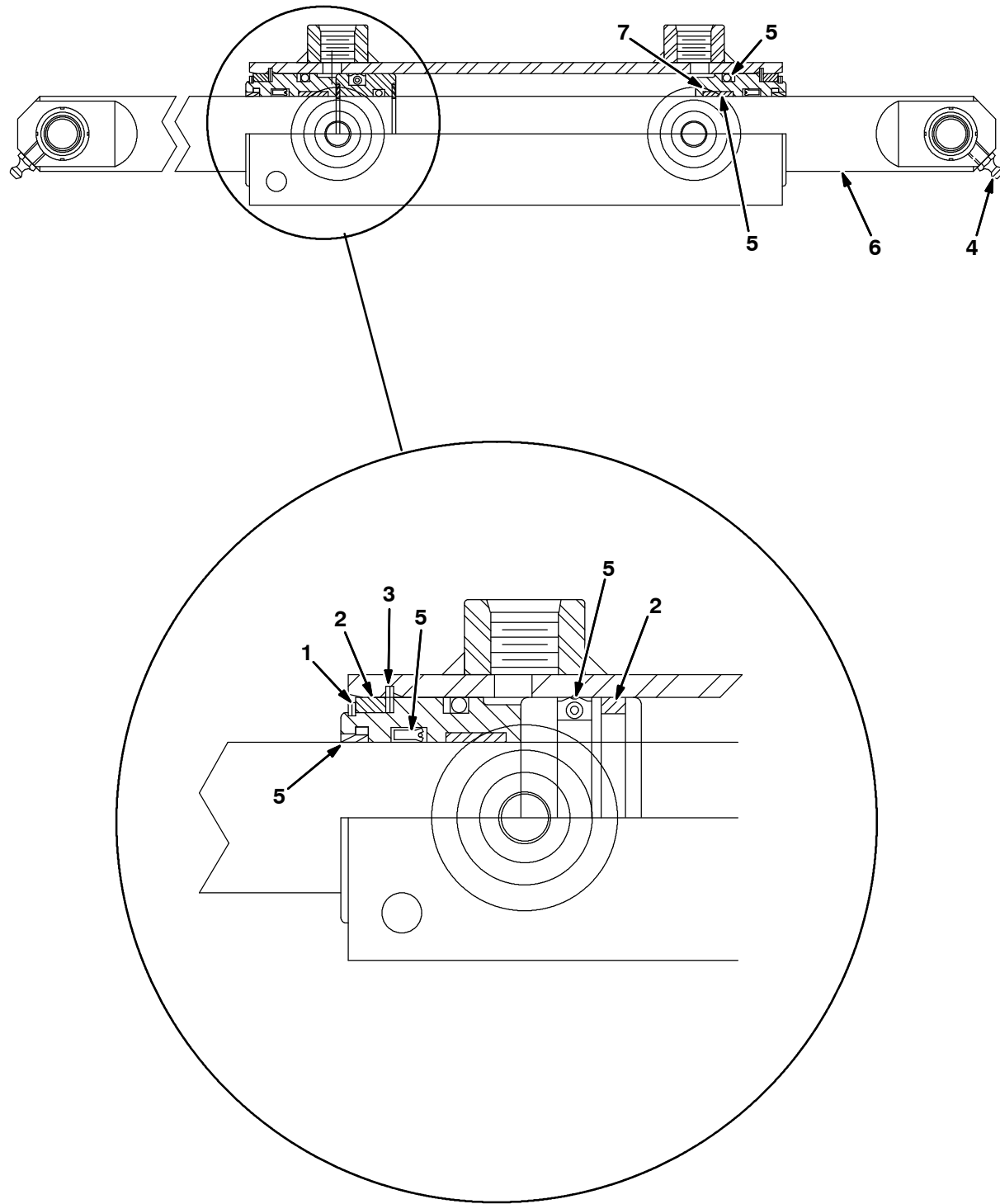


Fig. 4 - Hydraulic Steering Cylinder Breakdown, 373401

	<b>Ref.</b>	<b>Tennant Part No.</b>	<b>Manufacturer Serial Number</b>	<b>Description</b>	<b>Qty.</b>
▽		373401	(000000-	) Cylinder, Hyd	1
▲	1	373312	(000000-	) Retaining Ring	2
▲	2	373313	(000000-	) Wear Ring	3
▲	3	373314	(000000-	) Retaining Ring	2
▲	4	47801	(000000-	) Fitting, Grease	2
▲	5	1039066	(000000-	) Seal Kit, Cyl	1
▲	6	373318	(000000-	) Rod Assembly	1
▲	7	373319	(000000-	) Sleeve	2

**Fig. 5 - Hydraulic Steering Valve Breakdown, 367128**

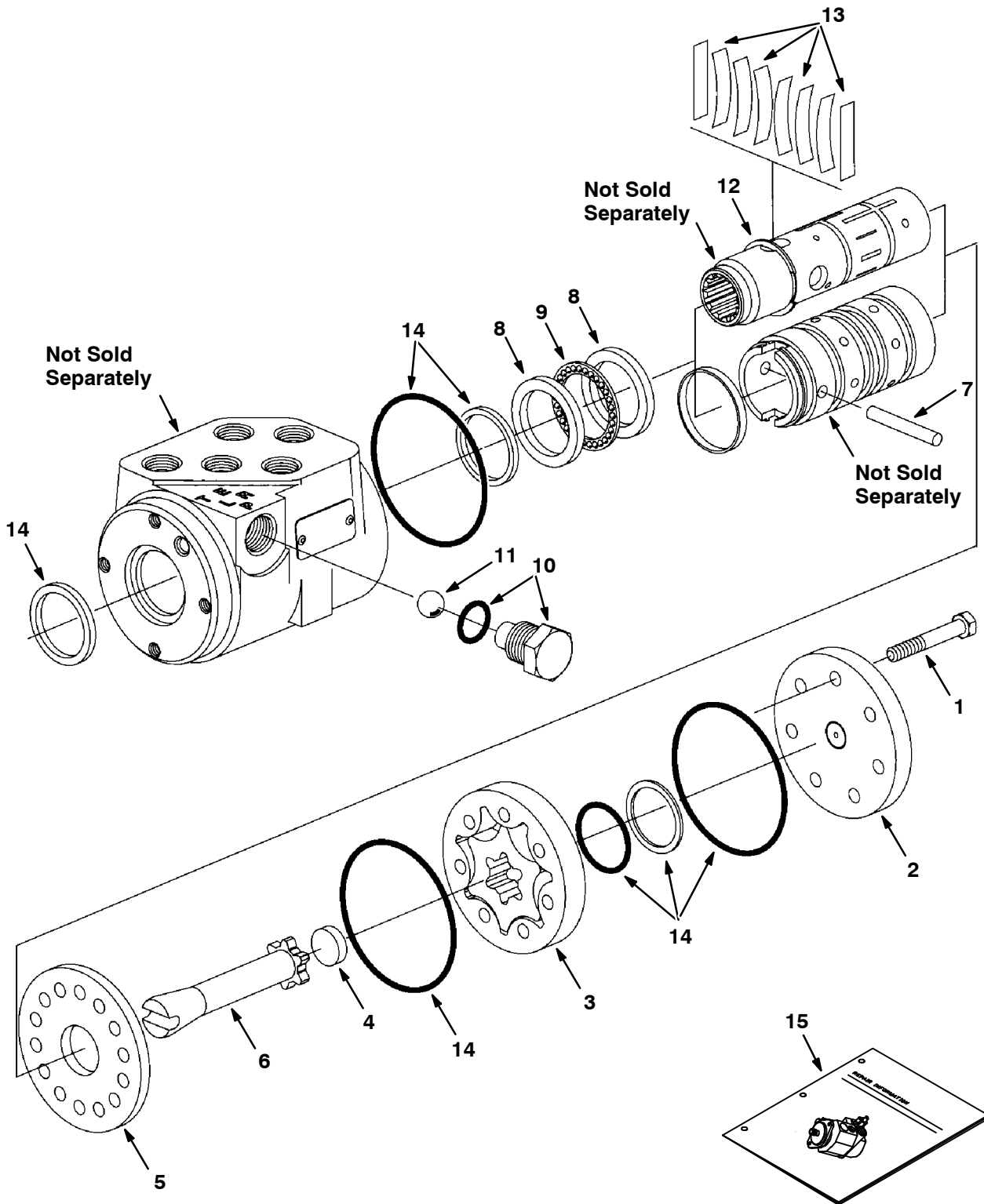




Fig. 5 - Hydraulic Steering Valve Breakdown, 367128

	Ref.	Tennant Part No.	Manufacturer Serial Number	Description	Qty.
▽		367128	(000000-	) Steer Control, Hyd#2 02.4 1500	1
▲	1	22663	(000000-	) Screw, Cap	7
▲	2	74185	(000000-	) Cap, End, Cylinder	1
▲	3	22664	(000000-	) Gerotor S/A	1
▲	4	22665	(000000-	) Spacer	1
▲	5	74222	(000000-	) Plate, Wear	1
▲	6	74231	(000000-	) Drive	1
▲	7	74232	(000000-	) Pin	1
▲	8	74234	(000000-	) Race, Bearing	2
▲	9	74236	(000000-	) Bearing	1
▲	10	74241	(000000-	) Plug	1
▲	11	74242	(000000-	) Ball	1
▲	12	74243	(000000-	) Retainer, Ring	1
▲	13	74196	(000000-	) Kit, Spring	1
▲	14	74244	(000000-	) Seal Kit, Stg	1
▲	15	74245	(000000-	) Instruction, Repair	1

**Fig. 6 - Hydraulic Gear Pump Breakdown, 367081**

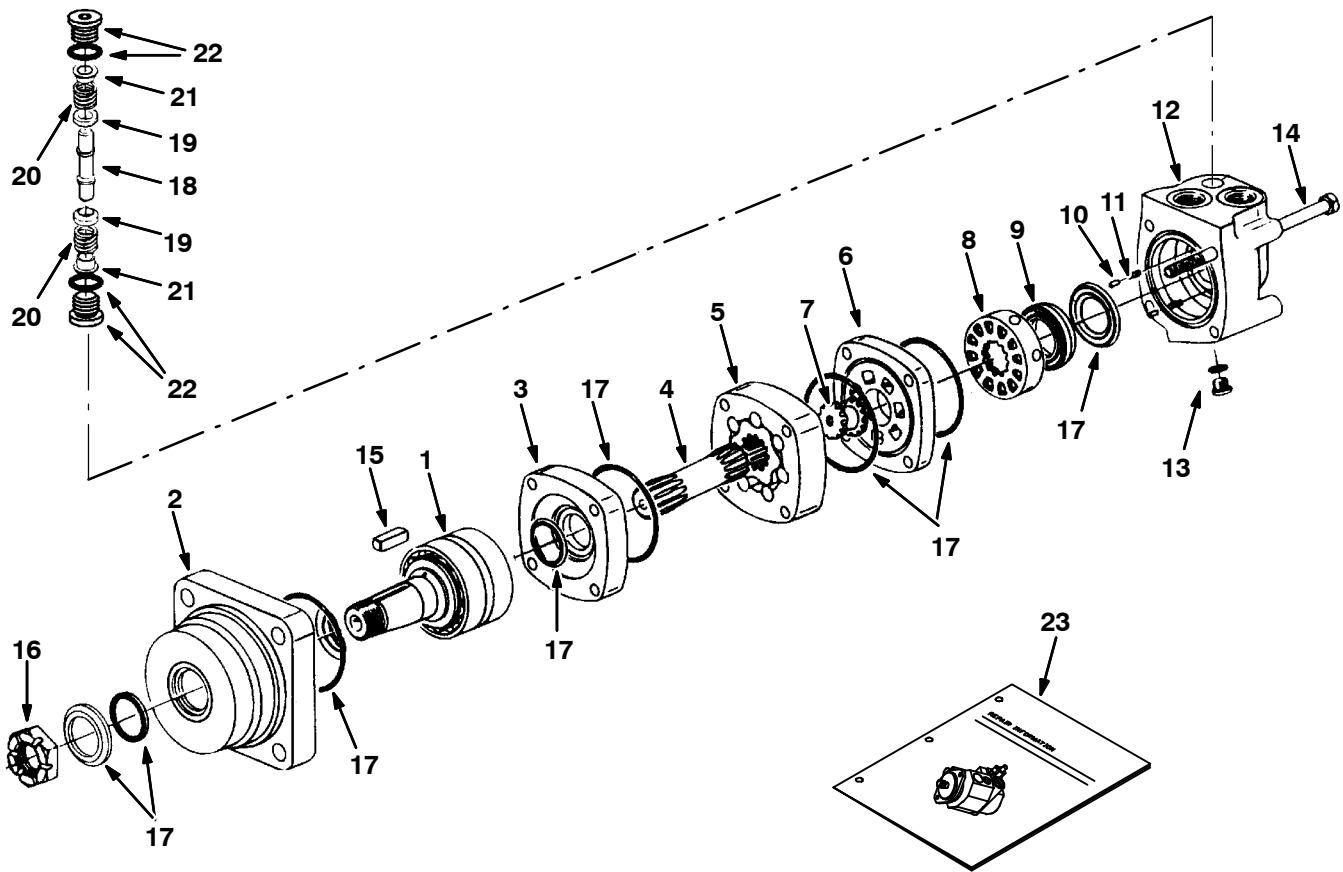


Fig. 6 - Hydraulic Gear Pump Breakdown, 367081

	Ref.	Tenant Part No.	Manufacturer Serial Number	Description	Qty.
▽		367081	(000000-	) Motor, Hyd Gear	1
▲	1	21951	(000000-	) Kit, Shaft, Bearing	2
▲	2	21952	(000000-	) Housing, Brg	2
▲	3	51417	(000000-	) Plate	2
▲	4	22666	(000000-	) Drive	1
▲	5	22667	(000000-	) Geroler	2
▲	6	02646	(000000-	) Valve Plate	1
▲	7	57370	(000000-	) Valve Drive	2
▲	8	02647	(000000-	) Valve	2
▲	9	57373	(000000-	) Ring, Balance	1
▲	10	57374	(000000-	) Pin	1
▲	11	57375	(000000-	) Spring	1
▲	12	22668	(000000-	) Housing, Valve	1
▲	13	74098	(000000-	) Plug	1
▲	14	22669	(000000-	) Bolt	1
▲	15	38315	(000000-	) Key	1
▲	16	38490	(000000-	) Nut	1
▲	17	21953	(000000-	) Seal Kit, Mtr	1
▲	18	373217	(000000-	) Piston	1
▲	19	373226	(000000-	) Poppet	1
▲	20	373219	(000000-	) Spring	1
▲	21	373236	(000000-	) Dashpot	1
▲	22	373260	(000000-	) Plug	1
▲	23	79729	(000000-	) Repair Info, Motor	1

**Fig. 7 - Hydraulic Gear Pump Breakdown, 367107**

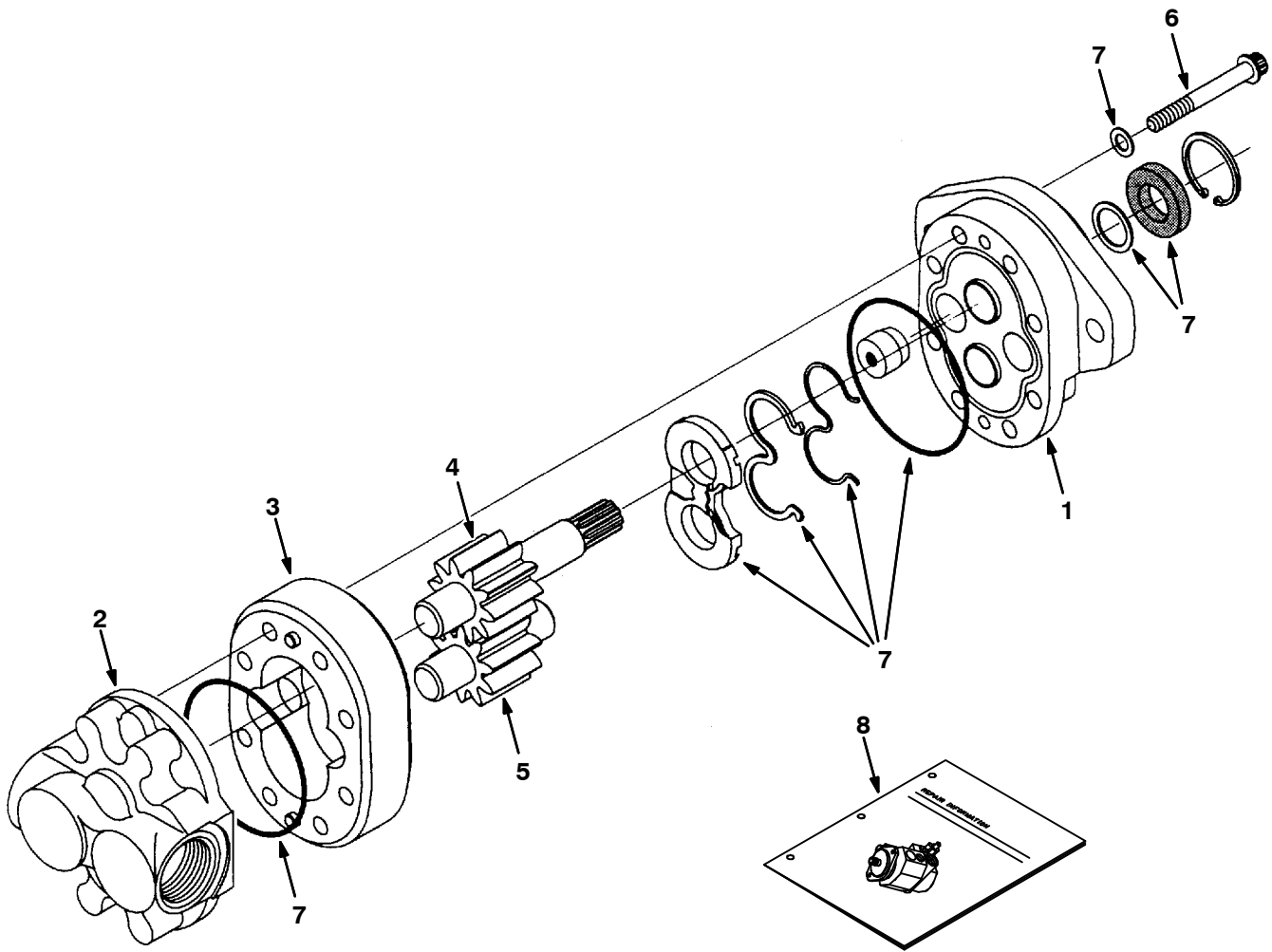


Fig. 7 - Hydraulic Gear Pump Breakdown, 367107

	<b>Ref.</b>	<b>Tennant Part No.</b>	<b>Manufacturer Serial Number</b>	<b>Description</b>	<b>Qty.</b>
▽		367107	(000000-	) Pump, Hyd Gear	1
▲	1	373201	(000000-	) Frontplate Assy	1
▲	2	373276	(000000-	) Backplate S/A	1
▲	3	373324	(000000-	) Body Assembly	1
▲	4	373325	(000000-	) Drive Gear Assy	1
▲	5	373326	(000000-	) Idler Gear Assy	1
▲	6	373212	(000000-	) Screw, Cap	1
▲	7	373208	(000000-	) Seal Kit, Pump	1
▲	8	373207	(000000-	) Repair Info,Pmp	1

**Fig. 8 - Hydraulic Gear Pump Breakdown, 367105**

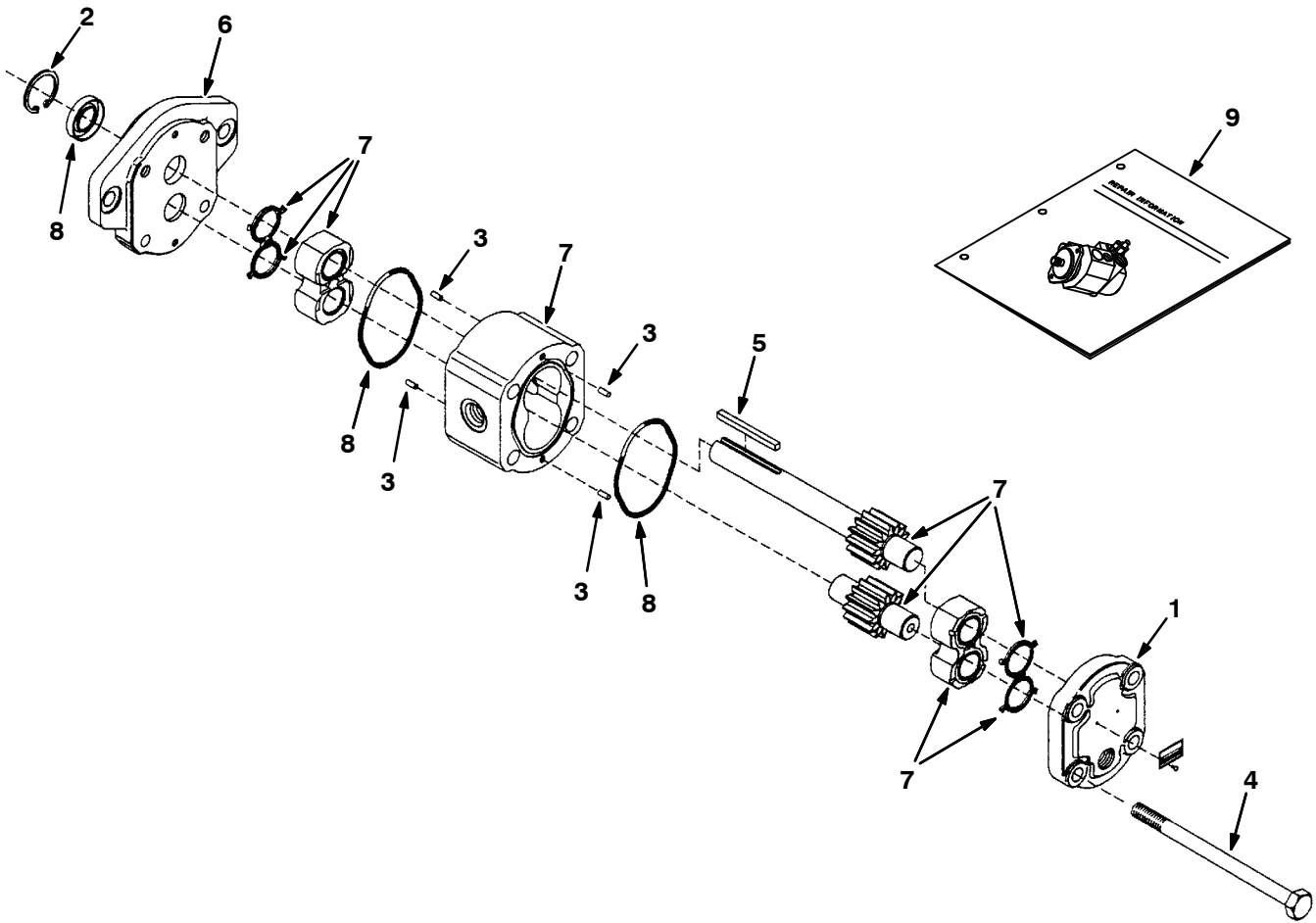


Fig. 8 - Hydraulic Gear Pump Breakdown, 367105

	<b>Ref.</b>	<b>Tenant Part No.</b>	<b>Manufacturer Serial Number</b>	<b>Description</b>	<b>Qty.</b>
▽		367105	(000000-	) Motor, Hyd Gear Ex 0.50 L 3000	1
▲	1	373329	(000000-	) End Cover	1
▲	2	373330	(000000-	) Retaining Ring	1
▲	3	21936	(000000-	) Pin, Dowel	4
▲	4	373331	(000000-	) Bolt, Hex Head	4
▲	5	00919	(000000-	) Key, Square	1
▲	6	373332	(000000-	) Flange, Mount	1
▲	7	373333	(000000-	) Body & Gear Kit	1
▲	8	373334	(000000-	) Seal Kit, Mtr	1
▲	9	373335	(000000-	) Repair Info	1

**Fig. 9 - Hydraulic Piston Pump Breakdown, 367129**

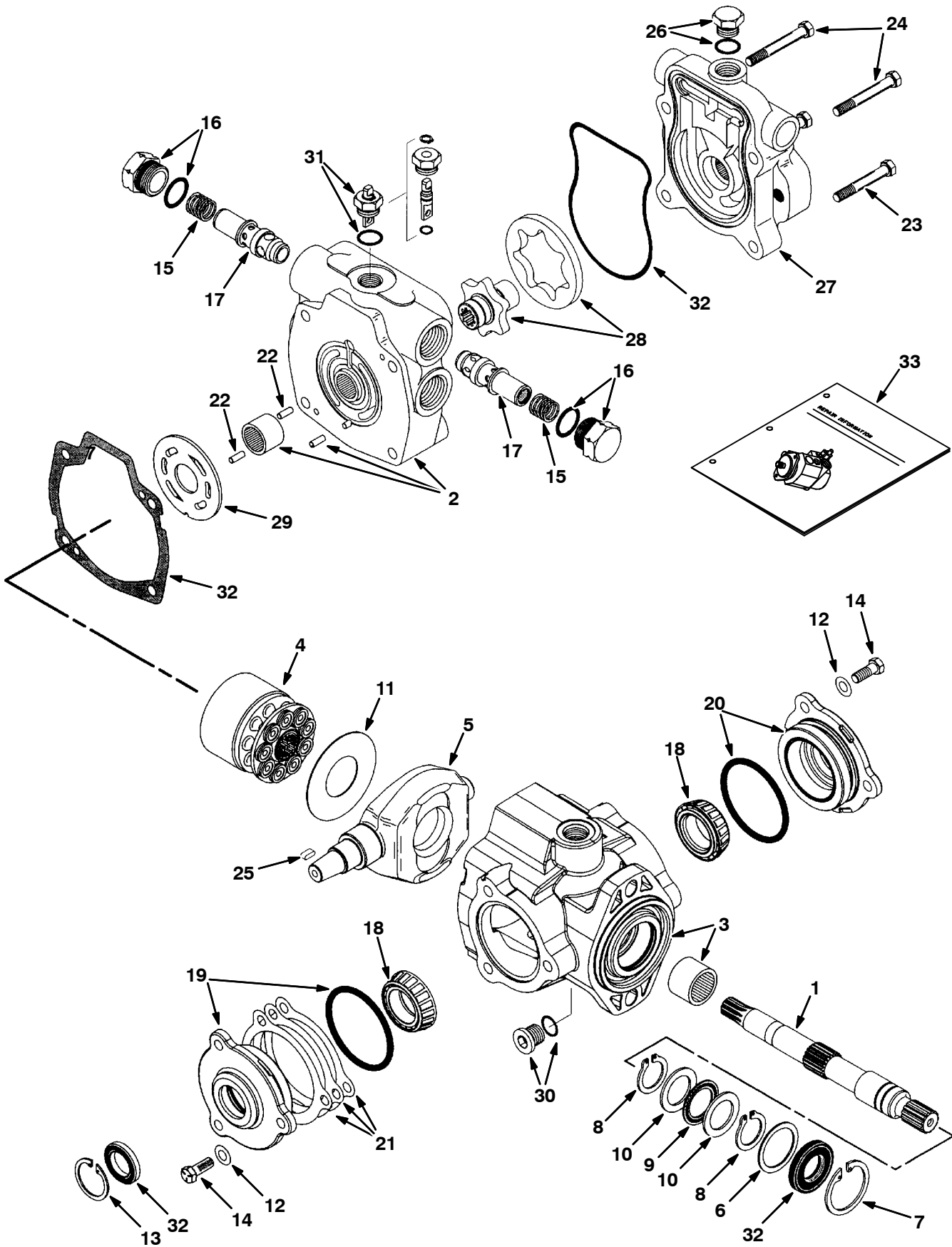




Fig. 9 - Hydraulic Piston Pump Breakdown, 367129

Ref.	Tennant Part No.	Manufacturer Serial Number	Description	Qty.
▽	367129	(000000-	) Pump, Hyd Piston	1
▲	1 55931	(000000-	) Pump Driveshaft	1
▲	2 373296	(000000-	) Backplate Assy	1
▲	3 373303	(000000-	) Housing Assy	1
▲	4 21963	(000000-	) Rotating Kit	1
▲	5 373304	(000000-	) Camplate	1
▲	6 70096	(000000-	) Washer	1
▲	7 55926	(000000-	) Ring, Retaining	1
▲	8 55925	(000000-	) Ring, Retaining	2
▲	9 74225	(000000-	) Bearing, Thrust	1
▲	10 74226	(000000-	) Race, Bearing	2
▲	11 373327	(000000-	) Camplate Insert	1
▲	12 373225	(000000-	) Washer	6
▲	13 373308	(000000-	) Ring, Retaining	1
▲	14 74239	(000000-	) Screw	6
▲	15 74229	(000000-	) Spring	2
▲	16 74230	(000000-	) Plug, S/A	2
▲	17 373328	(000000-	) Valve, Relief	2
▲	18 373317	(000000-	) Bearing, Cone	1
▲	19 373309	(000000-	) Cover Plate	1
▲	20 373310	(000000-	) Cover Plate	1
▲	21 373306	(000000-	) Shim Kit	1
▲	22 70100	(000000-	) Pin, Dowel	2
▲	23 373336	(000000-	) Screw, Cap	2
▲	24 373337	(000000-	) Screw, Cap	2
▲	25 74237	(000000-	) Key	1
▲	26 13907	(000000-	) Plug	1
▲	27 373338	(000000-	) Charge Pump Adapter	1
▲	28 373339	(000000-	) Gerotor and Coupler Assy	1
▲	29 74180	(000000-	) Plate, Valve	1
▲	30 13907	(000000-	) Plug	1
▲	31 373305	(000000-	) Valve, Bypass	1
▲	32 373307	(000000-	) Seal Kit, Pump	1
▲	33 373311	(000000-	) Repair Info	1



Fig. 10 - Hydraulic Piston Pump Breakdown, 373387

Ref.	Tennant Part No.	Manufacturer Serial Number	Description	Qty.
▽	373387	(000000-	) Pump, Hyd Piston V 1.44 R 3500	1
▲	1 55931	(000000-	) Pump Driveshaft	1
▲	2 373296	(000000-	) Plate Assy, Back	1
▲	3 373389	(000000-	) Housing	1
▲	4 21963	(000000-	) Rotating Kit	1
▲	5 373390	(000000-	) Cam	1
▲	6 70096	(000000-	) Washer	1
▲	7 55926	(000000-	) Ring, Retaining	1
▲	8 55925	(000000-	) Ring, Retaining	2
▲	9 74225	(000000-	) Bearing, Thrust	1
▲	10 74226	(000000-	) Race, Bearing	2
▲	11 373327	(000000-	) Insert, Plate, Cam	1
▲	12 373391	(000000-	) Washer	6
▲	13 13907	(000000-	) Plug, O-Ring	1
▲	14 373346	(000000-	) Screw, Cap	6
▲	15 373392	(000000-	) Spring	2
▲	16 74230	(000000-	) Plug, S/A	2
▲	17 373328	(000000-	) Valve, Relief	2
▲	18 373317	(000000-	) Bearing, Cone	1
▲	19 373393	(000000-	) Plate, Cover	1
▲	20 373394	(000000-	) Plate, Cover	1
▲	21 373395	(000000-	) Bearing, Cup	2
▲	22 70100	(000000-	) Pin, Dowel	2
▲	23 373336	(000000-	) Screw, Cap	2
▲	24 373337	(000000-	) Screw, Cap	2
▲	25 74237	(000000-	) Key	1
▲	26 13907	(000000-	) Plug, O-Ring	1
▲	27 373338	(000000-	) Adaptor, Pump	1
▲	28 373339	(000000-	) Gerotor, W/Coupler	1
▲	29 74180	(000000-	) Plate, Valve	1
▲	30 373396	(000000-	) Washer	4
▲	31 373305	(000000-	) Valve, By-Pass	1
▲	32 373402	(000000-	) Shim Kit	1
▲	33 373398	(000000-	) Kit, Seal, Hyd, Pump	1
▲	34 373397	(000000-	) Instr, Repair, Pump, Hyd	1

**Fig. 11 - Hydraulic Piston Pump Breakdown, 373425**

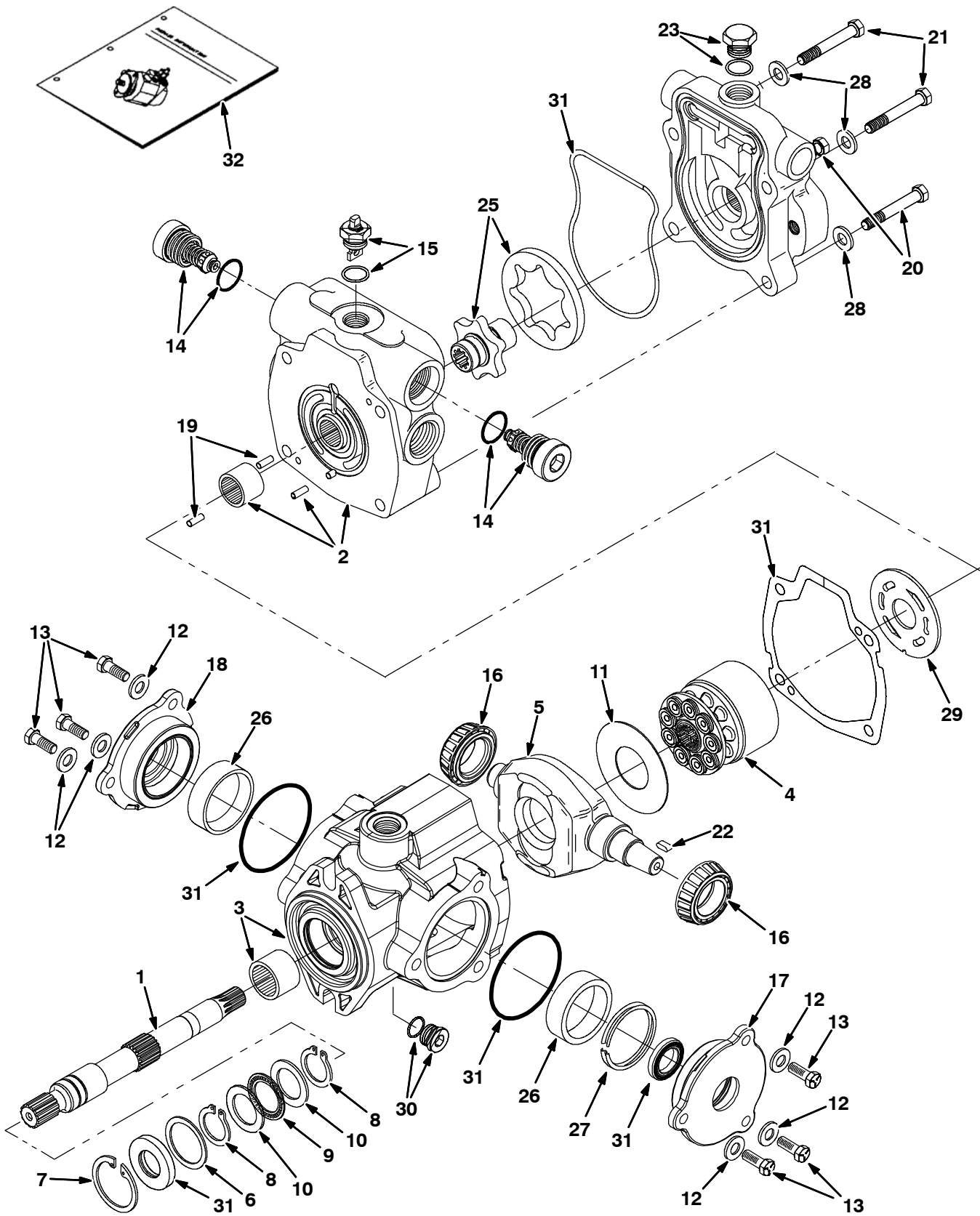


Fig. 11 - Hydraulic Piston Pump Breakdown, 373425

Ref.	Tennant Part No.	Manufacturer Serial Number	Description	Qty.
▽	373425	(000000-	) Pump, Hyd, Piston [V] 1.44 [R] 3500	1
▲	1 55931	(000000-	) Driveshaft, Pump, Hyd	
▲	2 373430	(000000-	) Cover, End	1
▲	3 373389	(000000-	) Housing	1
▲	4 21963	(000000-	) Kit, Rotating, Piston, Pump, Hyd	1
▲	5 373390	(000000-	) Cam	1
▲	6 70096	(000000-	) Washer, Flt, Pump, Hyd	1
▲	7 55926	(000000-	) Ring, Retaining, Pump, Hyd	1
▲	8 55925	(000000-	) Ring, Retining Rep.Bynone	2
▲	9 74225	(000000-	) Bearing, Thrust, Pump, Hyd	1
▲	10 74226	(000000-	) Race, Bearing, Pump, Hyd	2
▲	11 373327	(000000-	) Insert, Plate, Cam, Pump, Hyd	1
▲	12 373391	(000000-	) Washer, Pump, Hyd	6
▲	13 373346	(000000-	) Screw, Cap	6
▲	14 373431	(000000-	) Valve, Relief, 3500 Psi	2
▲	15 373305	(000000-	) Valve, By-Pass, Pump, Hyd	1
▲	16 373317	(000000-	) Bearing, Cone, Pump, Hyd	2
▲	17 373393	(000000-	) Plate, Cover	1
▲	18 373394	(000000-	) Plate, Cover	1
▲	19 70100	(000000-	) Pin, Dowel, Pump, Hyd	2
▲	20 373336	(000000-	) Screw, Cap, Pump, Hyd	2
▲	21 373337	(000000-	) Screw, Cap, Pump, Hyd	2
▲	22 74237	(000000-	) Key, Shaft, Pump, Hyd	1
▲	23 13907	(000000-	) Fitting, Plug, O-Ring	1
▲	24 373338	(000000-	) Adaptor, Pump, Charge	1
▲	25 373339	(000000-	) Gerotor, W/Coupler, Pump, Hyd	1
▲	26 373395	(000000-	) Bearing, Cup	2
▲	27 373402	(000000-	) Shim Kit	1
▲	28 373396	(000000-	) Washer	4
▲	29 74180	(000000-	) Plate, Valve, Pump, Hyd	1
▲	30 13907	(000000-	) Fitting, Plug, O-Ring	1
▲	31 373398	(000000-	) Kit, Seal, Hyd, Pump	1
▲	32 373429	(000000-	) Instr, Repair, Pump	1

**Fig. 12 - Hydraulic Solenoid Valve Breakdown, 367106**

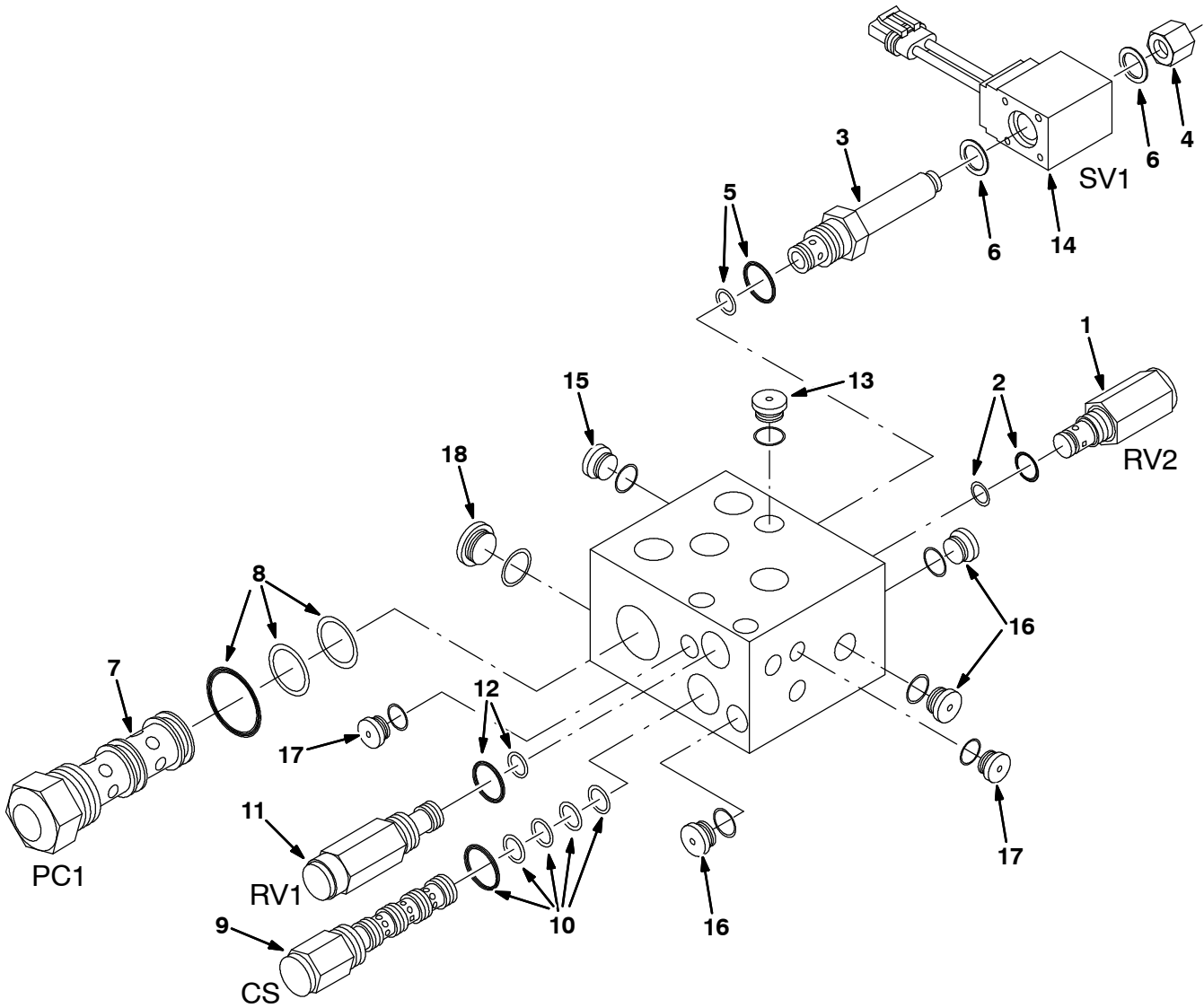


Fig. 12 - Hydraulic Solenoid Valve Breakdown, 367106

Ref.	Tennant Part No.	Manufacturer Serial Number	Description	Qty.
▽	367106	(000000-	) Valve, Hyd Cntrl Sol	1
▲	1 22673	(000000-	) Cart,Psi Cn	1
▲	2 79711	(000000-	) Seal Kit, Cart	1
▲	3 79732	(000000-	) Valve Stem	1
▲	4 79731	(000000-	) Nut	1
▲	5 79711	(000000-	) Seal Kit, Cart	1
▲	6 79740	(000000-	) Seal Kit, Coil	1
▲	7 22672	(000000-	) Cart,Pilot Chk	1
▲	8 22674	(000000-	) Seal Kit, Cart	1
▲	9 373214	(000000-	) Cart,Logic Cnt	1
▲	10 373216	(000000-	) Seal Kit, Cart	1
▲	11 22671	(000000-	) Cart,Psi Cn	1
▲	12 79711	(000000-	) Seal Kit, Cart	1
▲	13 74098	(000000-	) Fitting, Hyd, Plug, Om04	1
▲	14 21916	(000000-	) Solenoid, 12V	1
▲	15 13904	(000000-	) Plug, Gauge	1
▲	16 74098	(000000-	) Plug	3
▲	17 13902	(000000-	) Plug	2
▲	18 13907	(000000-	) Plug	1

**Fig. 13 - Hydraulic Solenoid Valve Breakdown, 1049639**

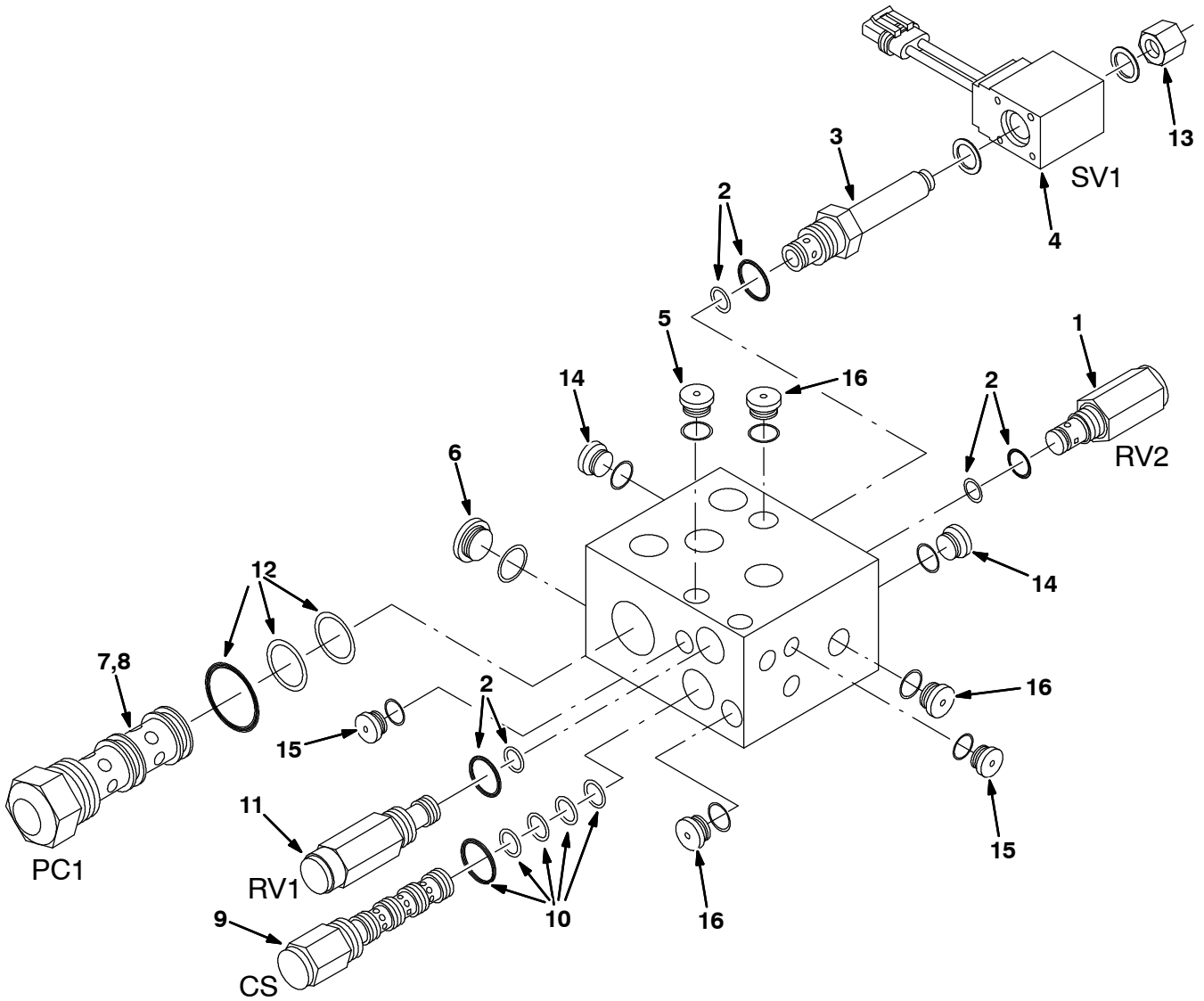
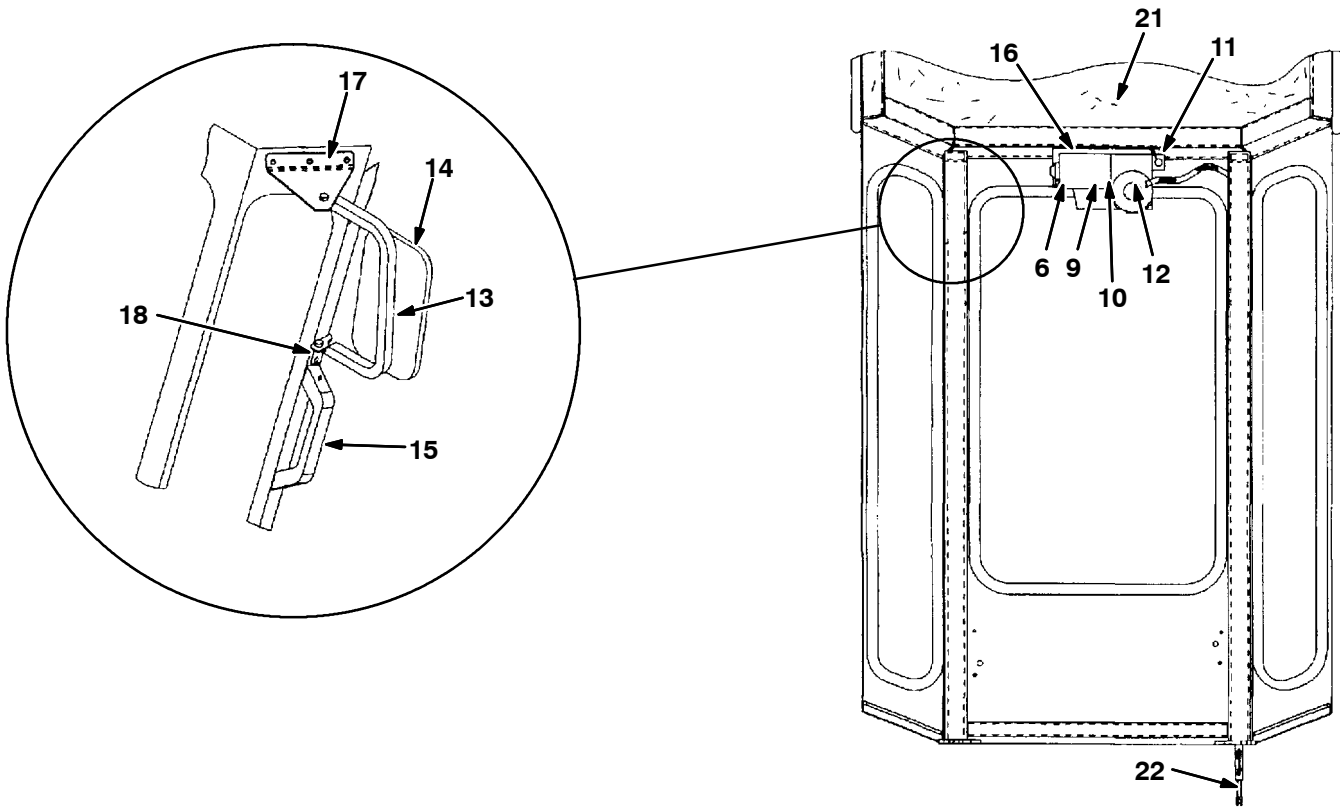




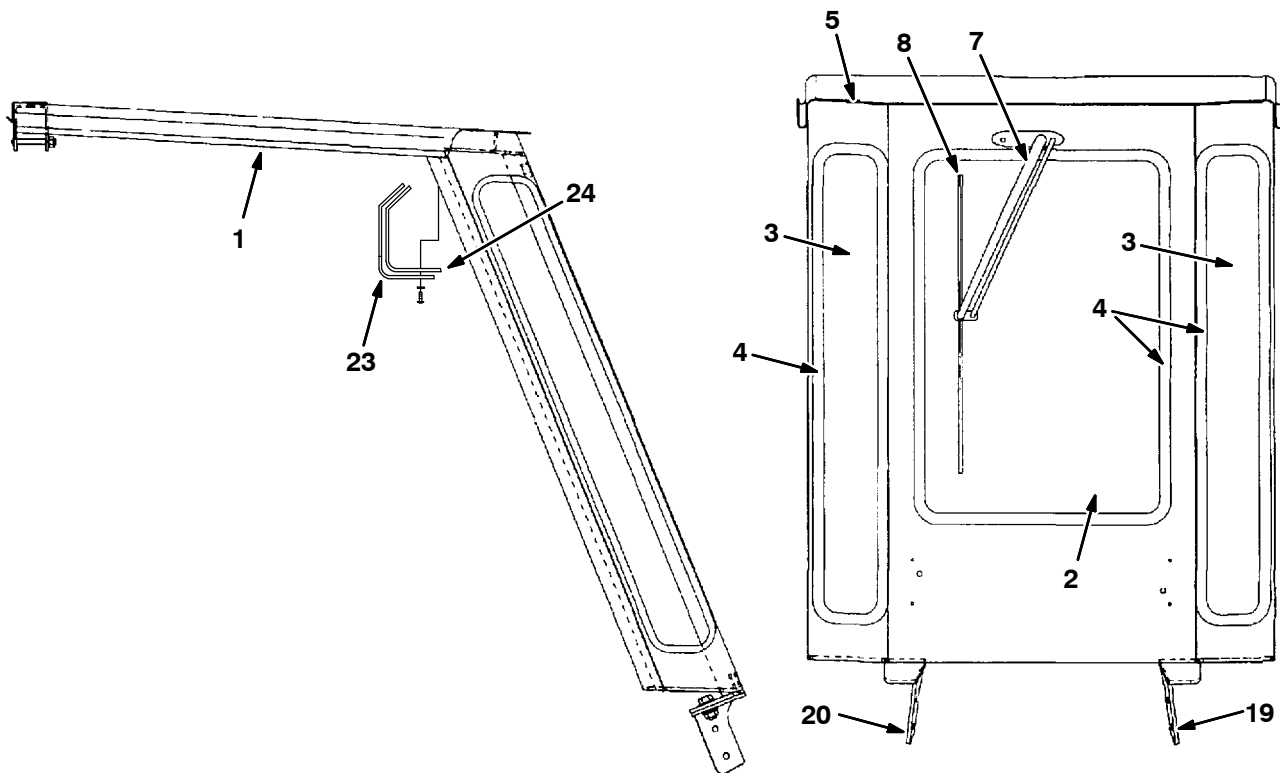
Fig. 12 - Hydraulic Solenoid Valve Breakdown, 1049639

	<b>Tennant Ref.</b>	<b>Part No.</b>	<b>Manufacturer Serial Number</b>	<b>Description</b>	<b>Qty.</b>
▽		1049639	(000000-	) Valve, Cntrl, Hyd, Solenoid, 12vdc 10gpm	1
▲	1	1052219	(000000-	) Valve, Cartridge, Relief	1
▲	2	1050780	(000000-	) Seal Kit, Cartridge	3
▲	3	1050812	(000000-	) Stem, Valve, Hyd	1
▲	4	1052221	(000000-	) Solenoid, Valve, Hyd, 12vdc	1
▲	5	1052222	(000000-	) Fitting, Plug, Om04, Valve	1
▲	6	1052224	(000000-	) Fitting, Plug, Om08, Valve	1
▲	7	1052220	(000000-	) Valve, Cartridge, Check	1
▲	8	1052223	(000000-	) Valve, Cartridge, Piston	1
▲	9	1052217	(000000-	) Valve, Cartridge, Flow Reg	1
▲	10	1052225	(000000-	) Seal Kit, Cartridge	1
▲	11	1052218	(000000-	) Valve, Cartridge, Relief	1
▲	12	1052226	(000000-	) Seal Kit, Cartridge	1
▲	13	373585	(000000-	) Nut, Long	1
▲	14	1050813	(000000-	) Fitting, Plug, Org, #6, Valve	2
▲	15	1050865	(000000-	) Fitting, Plug, Om02, Valve	2
▲	16	1050869	(000000-	) Fitting, Plug, Om04, Valve	3

**Fig. 14 - Open Cab Breakdown, 368020**



**Front From Inside**



**Front From Outside**

Fig. 14 - Open Cab Breakdown, 368020

	Ref.	Tenant Part No.	Manufacturer Serial Number	Description	Qty.
▽		368020	(000000-	) Cab, Open	1
▲	1	368110	(000000-	) Frame, Cab	1
▲	2	368111	(000000-	) Pane, Glass, Front	1
▲	3	368112	(000000-	) Pane, Glass, Side	2
▲	4	368113	(000000-	) Molding, Window	3
▲	5	368114	(000000-	) Molding, Trim	1
▲	6	368115	(000000-	) Motor, Wiper, 2-Sp	1
▲	7	368116	(000000-	) Arm, Wiper	1
▲	8	368117	(000000-	) Blade, Wiper, 22In	1
▲	9	368118	(000000-	) Arm, Drive, Wiper	1
▲	10	368119	(000000-	) Kit, Adaptor, Wiper	1
▲	11	368120	(000000-	) Switch, Wiper	1
▲	12	368121	(000000-	) Shaft, Wiper, Hd	1
▲	13	368122	(000000-	) Mirror, Loop, Black	1
▲	14	368123	(000000-	) Head, Mirror,Convex	1
▲	15	368124	(000000-	) Handle, Vinyl, Blk	1
▲	16	368125	(000000-	) Cover, Wiper,Wndshd	1
▲	17	368126	(000000-	) Bracket, Mirror,Top	1
▲	18	368127	(000000-	) Bracket, Mirror,Bot	1
▲	19	368128	(000000-	) Mount,Tube,Front,Lh	1
▲	20	368129	(000000-	) Mount,Tube,Front,Rh	1
▲	21	368130	(000000-	) Insulation, Roof	1
▲	22	368131	(000000-	) Wire Assy, Wiper	1
▲	23	368565	(000000-	) Cover, Wiper, Motor	1
▲	24	35956	(000000-	) Molding, Trim, Pvc, .00-.06 27.3l	1



## SECTION 5

Contents	Page
Fig. 1 - Crankcase Group .....	5-2
Fig. 2 - Oil Pan Group .....	5-4
Fig. 3 - Cylinder Head Group .....	5-6
Fig. 4 - Gear Case Group .....	5-8
Fig. 5 - Head Cover Group (Wxxxxx-3xxxxxx) .	5-10
Fig. 6 - Head Cover Group (4xxxxx- ) ...	5-12
Fig. 7 - Remote Oil Filter Group .....	5-14
Fig. 8 - Dipstick and Guide Group .....	5-15
Fig. 9 - Main Bearing Case Group .....	5-16
Fig. 10 - Camshaft Group .....	5-18
Fig. 11 - Valve and Rocker Arm Group .....	5-20
Fig. 12 - Piston and Crankshaft Group .....	5-22
Fig. 13 - Flywheel Group .....	5-24
Fig. 14 - Fuel Camshaft Group .....	5-25
Fig. 15 - Engine Stop Lever Group .....	5-26
Fig. 16 - Stop Solenoid Group .....	5-27
Fig. 17 - Governor Group .....	5-28
Fig. 18 - Injection Pump Group .....	5-29
Fig. 19 - Injection Pump Breakdown .....	5-30
Fig. 20 - Speed Control Plate Group .....	5-32
Fig. 21 - Nozzle Holder and Glow Plug Group ..	5-33
Fig. 22 - Starter Group .....	5-34
Fig. 23 - Starter Breakdown .....	5-36
Fig. 24 - Water Flange and Thermostat Group .	5-38
Fig. 25 - Water Pump Group .....	5-39
Fig. 26 - Alternator and Pulley Group .....	5-40
Fig. 27 - Fan Group .....	5-41
Fig. 28 - Exhaust Manifold Group .....	5-42
Fig. 29 - Inlet Manifold Group .....	5-43

Fig. 1 - Crankcase Group

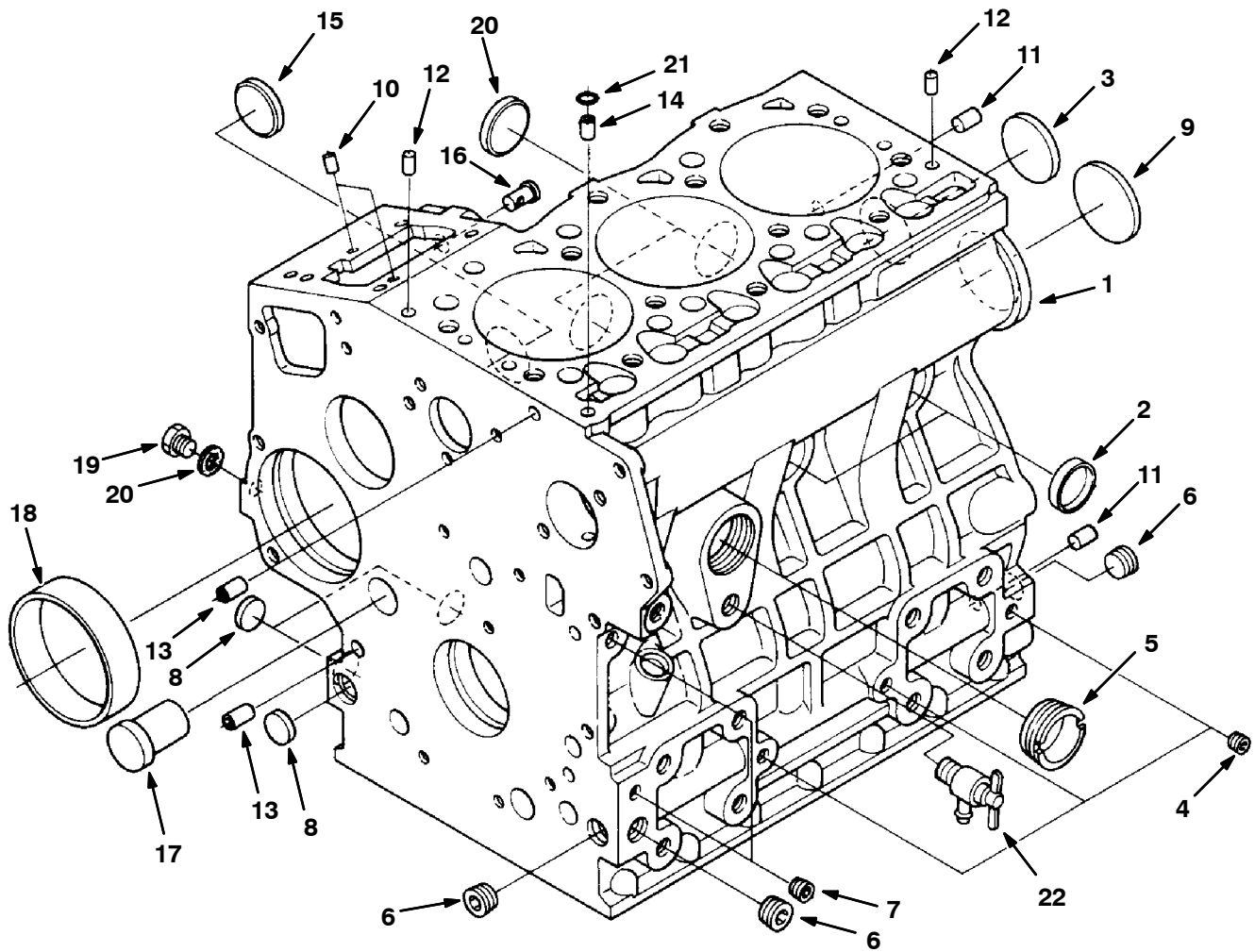


Fig. 1 - Crankcase Group

Ref.	Part No.		Description	Qty.
	1	368050	① Block, Eng, Crankcase [Ku]	1
▽	1	372923	② Crankcase, Compl	1
▲	2	70998	Plug, Cup, Sealing [Ku]	4
▲	3	39087	Plug, Cup, Sealing [Ku]	1
▲	4	39088	Fitting, Pipe, Plug [Ku]	3
▲	5	70999	Plug, Eng [Ku]	1
▲	6	71985	Fitting, Pipe, Plug [Ku]	3
▲	7	39051	Fitting, Pipe, Plug [Ku]	2
▲	8	361436	Plug, Cup, Sealing [Ku]	3
▲	9	71986	Plug, Cup, Sealing [Ku]	1
▲	10	71987	Pin, Dowel [Ku]	2
▲	11	71988	Pin, Dowel [Ku]	2
▲	12	71989	Pin, Dowel [Ku]	2
▲	13	71990	Pin, Eng [Ku]	2
▲	14	71991	Tube, Pin [Ku]	11
▲	15	71992	Plug, Cup, Sealing [Ku]	1
▲	16	361416	Pin, Spring, Start [Ku]	1
▲	17	71993	Plug, Eng [Ku]	1
▲	18	70887	Bushing, Gear, Gov [Ku]	1
▲	19	39062	Fitting, Plug [Ku]	1
▲	20	10895	Gasket, Sealing [Ku]	1
	21	39063	Seal, Org [Ku]	1
	22	70888	Fitting, Draincock [Ku]	1

① Kubota Serial number (Wxxxxx-3xxxxxx)

② Kubota Serial number ( 4xxxxx- )

Fig. 2 - Oil Pan Group

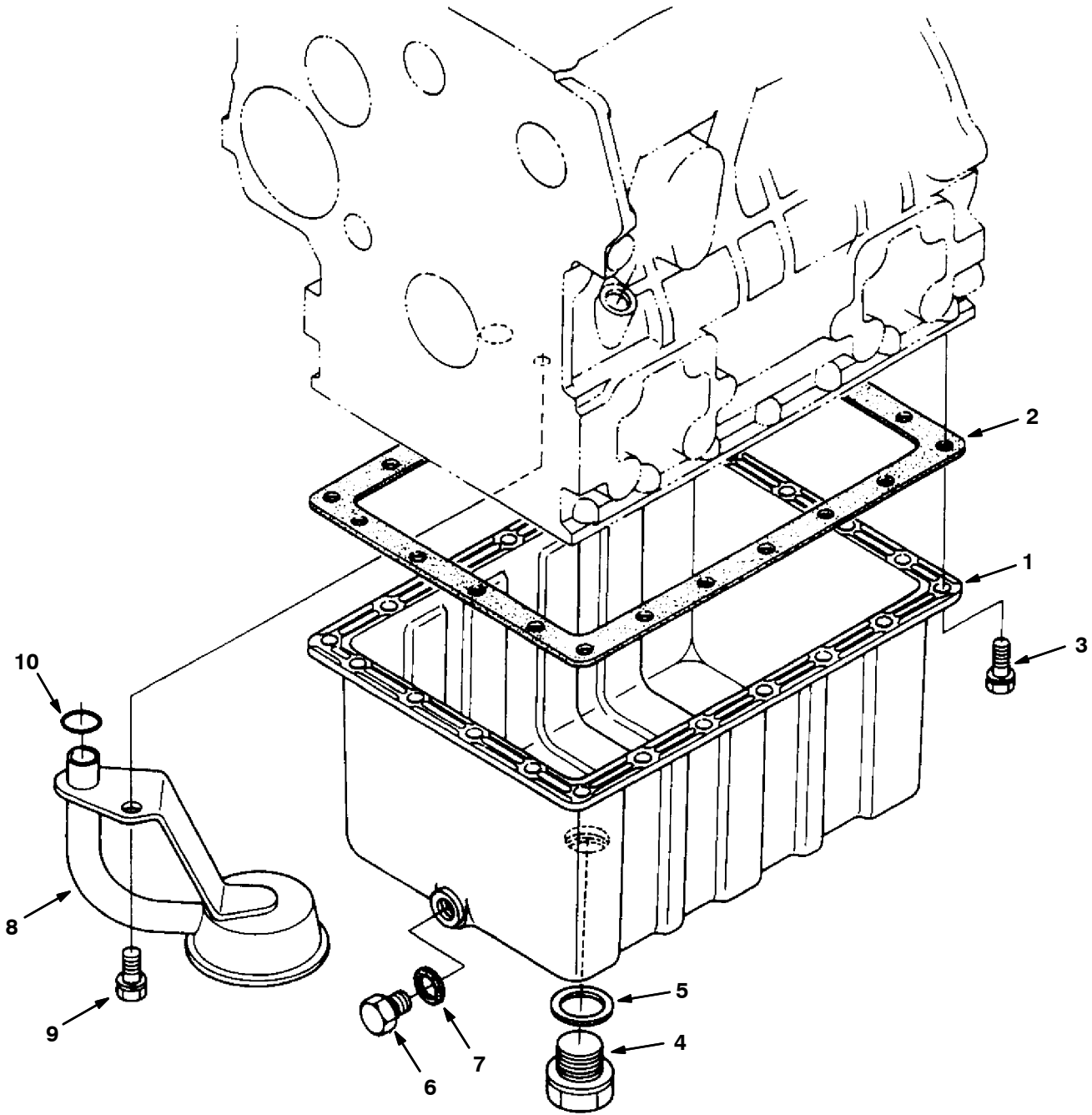




Fig. 2 - Oil Pan Group

Ref.	Part No.	Description	Qty.
1	361433	Pan, Oil, Complt [Ku]	1
2	361422	Gasket, Pan, Oil [Ku]	1
3	71995	Screw, Hex [Ku]	22
4	361431	Plug, Drain, Oil [Ku]	1
5	70891	Gasket, Plug, Drain [Ku]	1
6	361370	Plug, Drain, Oil [Ku]	1
7	361369	Gasket, Plug, Drain [Ku] Rep.By60453	1
8	368051	Tube, Pickup, Oil [Ku]	1
9	39094	Screw, Hex [Ku]	1
10	41792	Seal, Org [Ku]	1

Fig. 3 - Cylinder Head Group

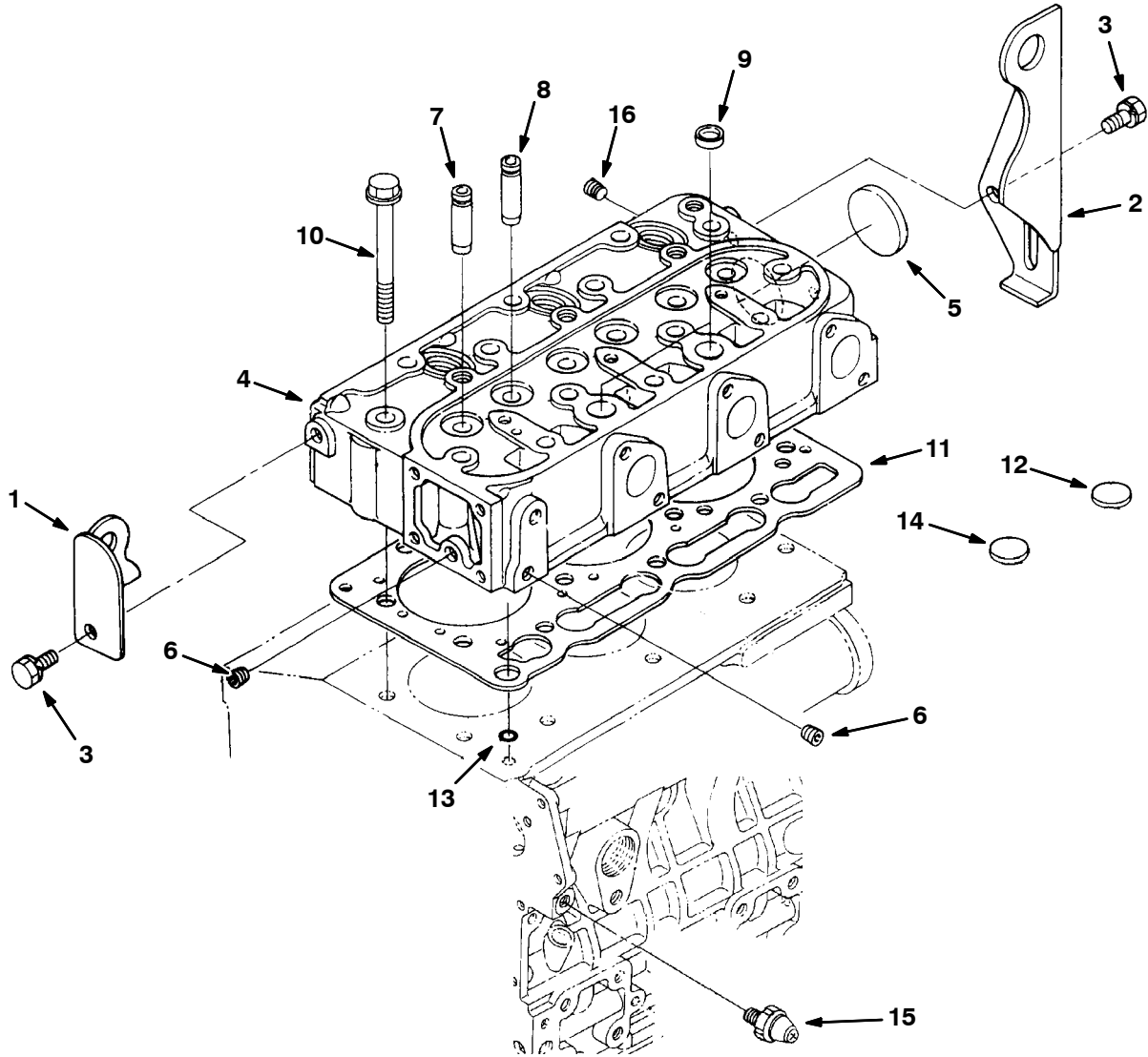


Fig. 3 - Cylinder Head Group

Ref.	Part No.	Description	Qty.
1	71996	Ear, Lifting, Eng [Ku]	1
2	71997	Ear, Lifting, Eng [Ku]	1
3	39073	Screw, Hex [Ku]	2
4	368052	[1] Head, Cyl [Ku]	1
▽	4	372915 [2] Head, Cyl, W/O Valve [Ku]	1
▲	5	51331 Plug, Cup, Sealing [Ku]	1
▲	6	39088 Fitting, Pipe, Plug [Ku]	2
▲	7	70895 Guide, Valve, Intake [Ku]	3
▲	8	70896 Guide, Valve, Exhaust [Ku]	3
▲	9	361372 Plug, Cup, Sealing [Ku]	2
10	70897	Screw, Hex, Head, Cyl [Ku]	14
11	368053	[1] Gasket, Head, Cyl [Ku]	1
11	372911	[2] Gasket, Head, Cyl	1
12	361394	Seat, Valve, Int [Ku]	3
13	372903	Seal, Org	3
14	361393	Seat, Valve, Exhaust [Ku]	3
15	87940	Switch, Press, Oil [Ku]	1
16	72010	Fitting, Pipe, Plug [Ku]	1

[1] Kubota Serial number (Wxxxxx-3xxxxxx)

[2] Kubota Serial number ( 4xxxxx- )

Fig. 4 - Gear Case Group

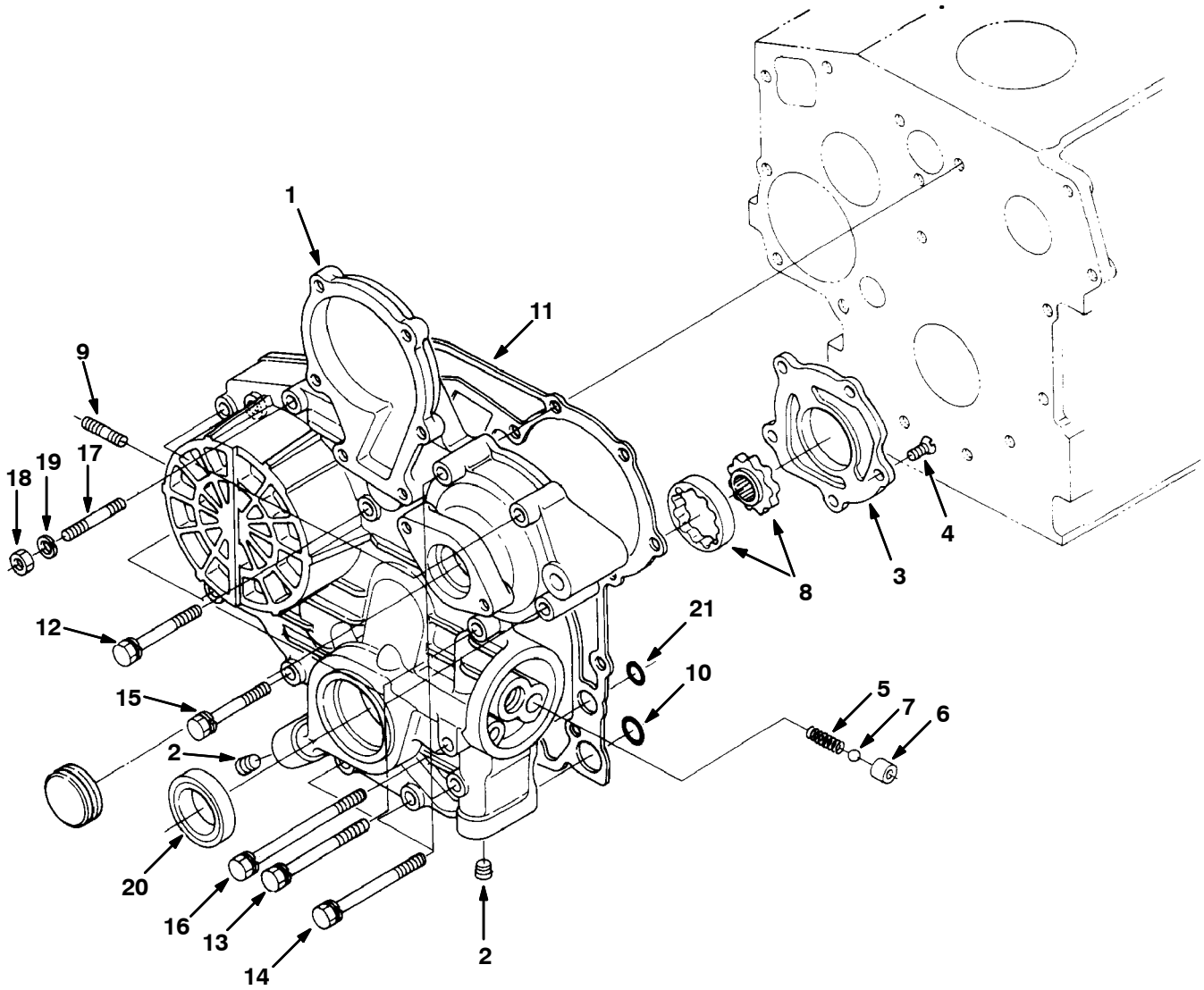


Fig. 4 - Gear Case Group

	Ref.	Part No.	Description	Qty.
▽	1	361423	Case, Gear, Complt [Ku]	1
▲	2	361401	Fitting, Pipe, Plug [Ku]	2
▲	3	361397	Cover, Pump, Oil [Ku]	1
▲	4	72013	Screw, Flt [Ku]	5
▲	5	70900	Spring, Cmpr, Relief [Ku]	1
▲	6	70901	Tube, Seat, Valve, Oil [Ku]	1
▲	7	70902	Ball, Relief, Oil [Ku]	1
▲	8	70903	Pump, Oil, Eng [Ku]	1
	9	72018	Stud [Ku]	2
	10	39103	Seal, Org [Ku]	2
	11	70912	Gasket, Case, Gear [Ku]	1
	12	72993	Screw, Hex [Ku]	3
	13	72994	Screw, Hex [Ku]	6
	14	72995	Screw, Hex [Ku]	2
	15	72014	Screw, Hex [Ku]	1
	16	72015	Screw, Hex [Ku]	1
	17	72017	Stud [Ku]	1
	18	39121	Nut, Hex [Ku]	1
	19	39065	Washer, Lock, Split [Ku]	1
	20	368055	Seal, Oil, Eng [Ku]	1
	21	368054	Seal, Org [Ku]	2

Fig. 5 - Head Cover Group (Wxxxxx-3xxxxxx)

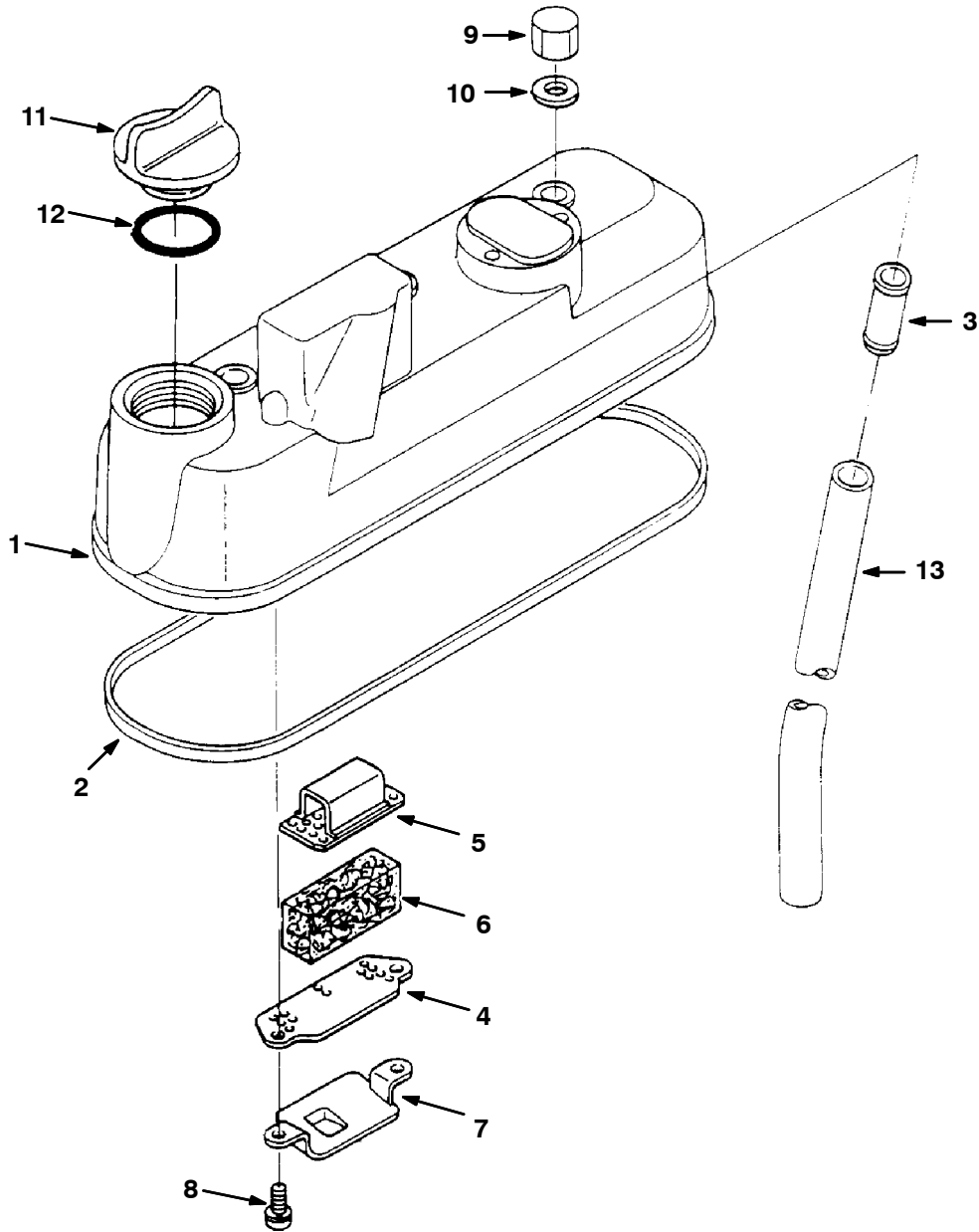


Fig. 5 - Head Cover Group (Wxxxxx-3xxxxxx)

Ref.	Part No.	Description	Qty.
▽	1 361409	① .R, Cover, Valve [Ku]	1
▲	2 361411	① Gasket, Cover, Valve [Ku]	1
▲	3 73481	① Pipe, Breather [Ku]	1
▲	4 70930	① Plate, Breather [Ku]	1
▲	5 70931	① Plate, Breather [Ku]	1
▲	6 70932	① Element, Breather [Ku]	1
▲	7 70933	① Shield, Oil, Breather [Ku]	1
▲	8 73482	① Screw, Hex, W/ Washer [Ku]	2
	9 73483	① Nut, Hex, Cap	3
	10 73484	① Gasket, F/ Bolt [Ku]	3
	11 361374	① Cap, Filler, Oil [Ku]	1
	12 39162	① Seal, Org [Ku]	1
	13 73485	① Tube, Breather, Eng [Ku]	1

① Kubota Serial number (Wxxxxx-3xxxxxx)

② Kubota Serial number ( 4xxxxx- )

Fig. 6 - Head Cover Group (4xxxxx- )

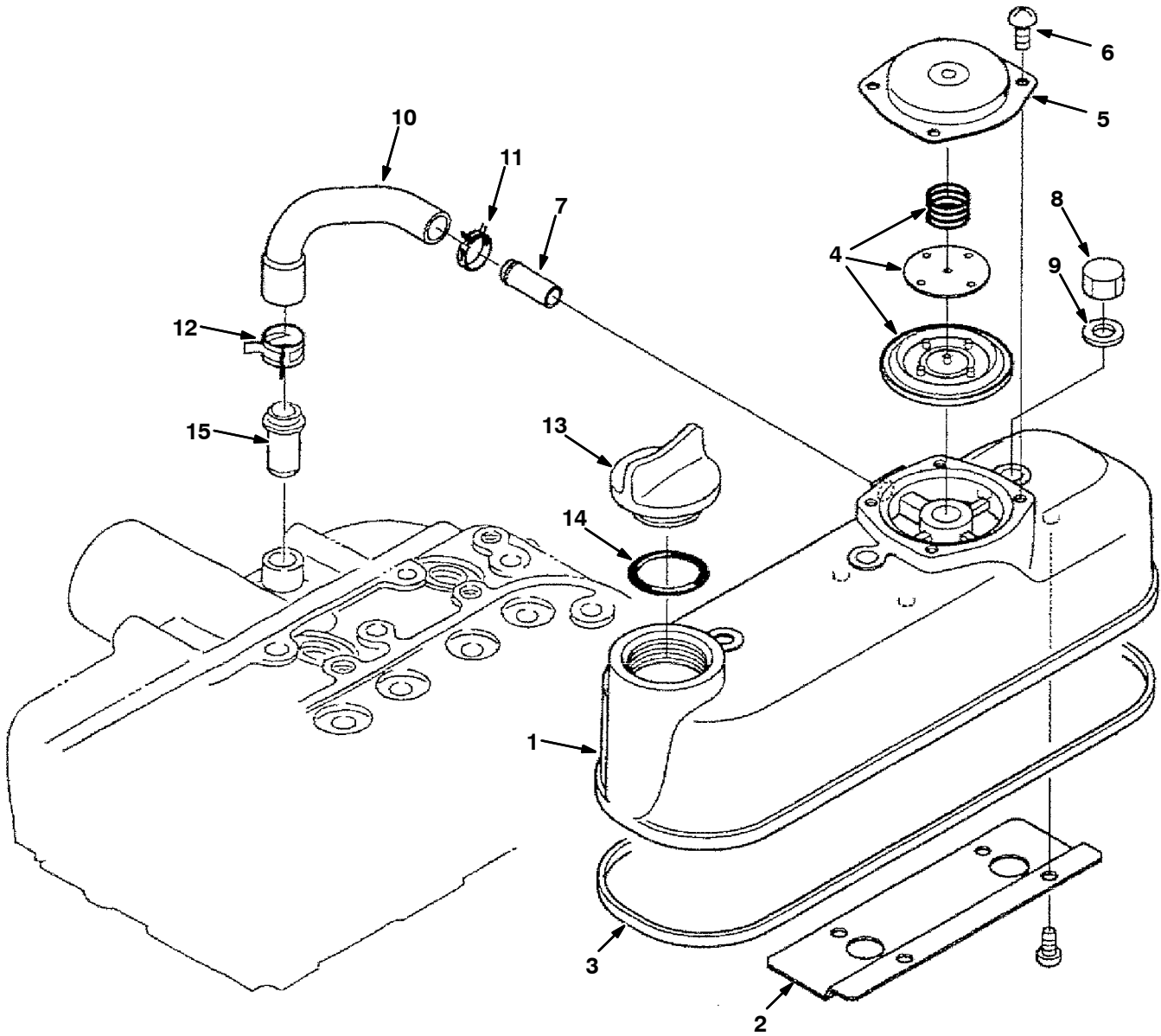




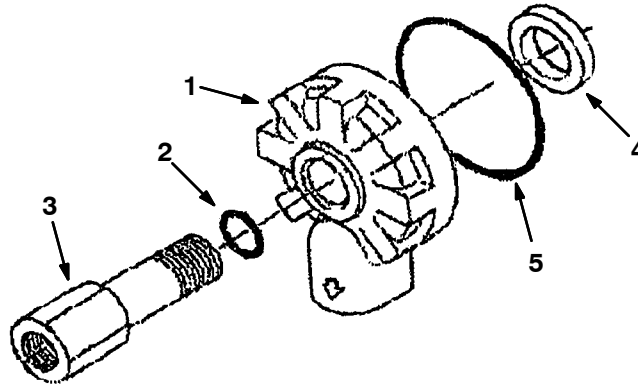
Fig. 6 - Head Cover Group (4xxxxx- )

Ref.	Part No.		Description	Qty.
▽	1	372914	② Cover Assy, Head, Cyl	1
▲	2	372912	② Shield, Breather	1
▲	3	361411	② Gasket, Cover, Valve [Ku]	1
▲	4	372928	② Valve, Breather, Complt	1
▲	5	372927	② Cover, Breather	1
▲	6	372900	② Screw, Pan	1
▲	7	30125	② Pipe, Water	1
	8	73483	② Nut, Hex, Cap	2
	9	73484	② Gasket, F/ Bolt [Ku]	3
	10	372913	② Tube, Breather	3
	11	372901	② Clamp, Hose	1
	12	372904	② Clamp, Hose	1
	13	361374	② Cap, Filler, Oil [Ku]	1
	14	70913	② Seal, Org	1
	15	73481	② Pipe, Breather [Ku]	1

① Kubota Serial number (Wxxxxx-3xxxxxx)

② Kubota Serial number ( 4xxxxx- )

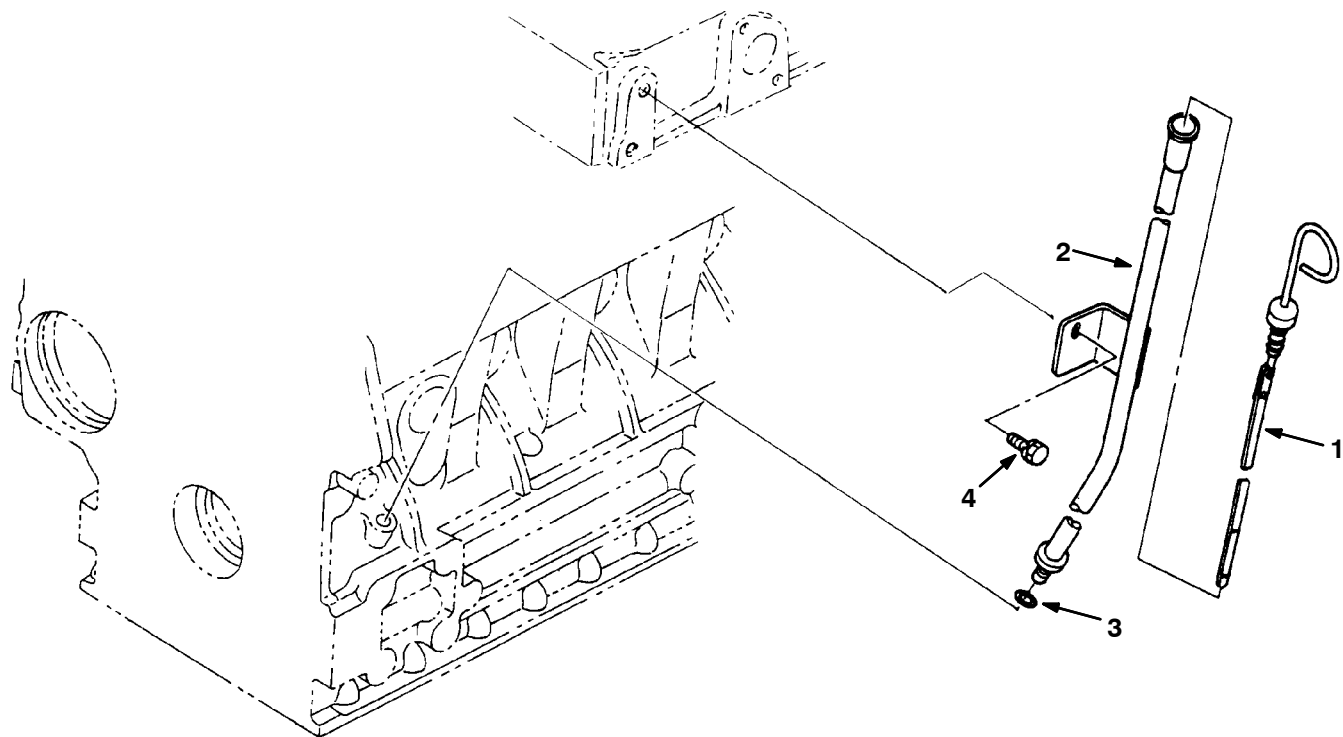
Fig. 7 - Remote Oil Filter Group



351389 - 4300D

	Ref.	Part No.	Description	Qty.
▽	1	368056	Base, Fltr, Oil [Ku]	1
▲	2	70911	Seal, Org	1
	3	368059	Pipe, Fltr, Oil [Ku]	1
	4	368057	Collar, Fltr, Oil [Ku]	1
	5	70907	Seal, Org [Ku]	1

Fig. 8 - Dipstick and Guide Group



350187 - 4300D

	Ref.	Part No.	Description	Qty.
▽	1	70893	Dipstick [Ku]	1
▲	2	70894	Tube, Ds [Ku]	1
▲	3	361366	Seal, Org [Ku]	1
	4	39073	Screw, Hex [Ku]	1

Fig. 9 - Main Bearing Case Group

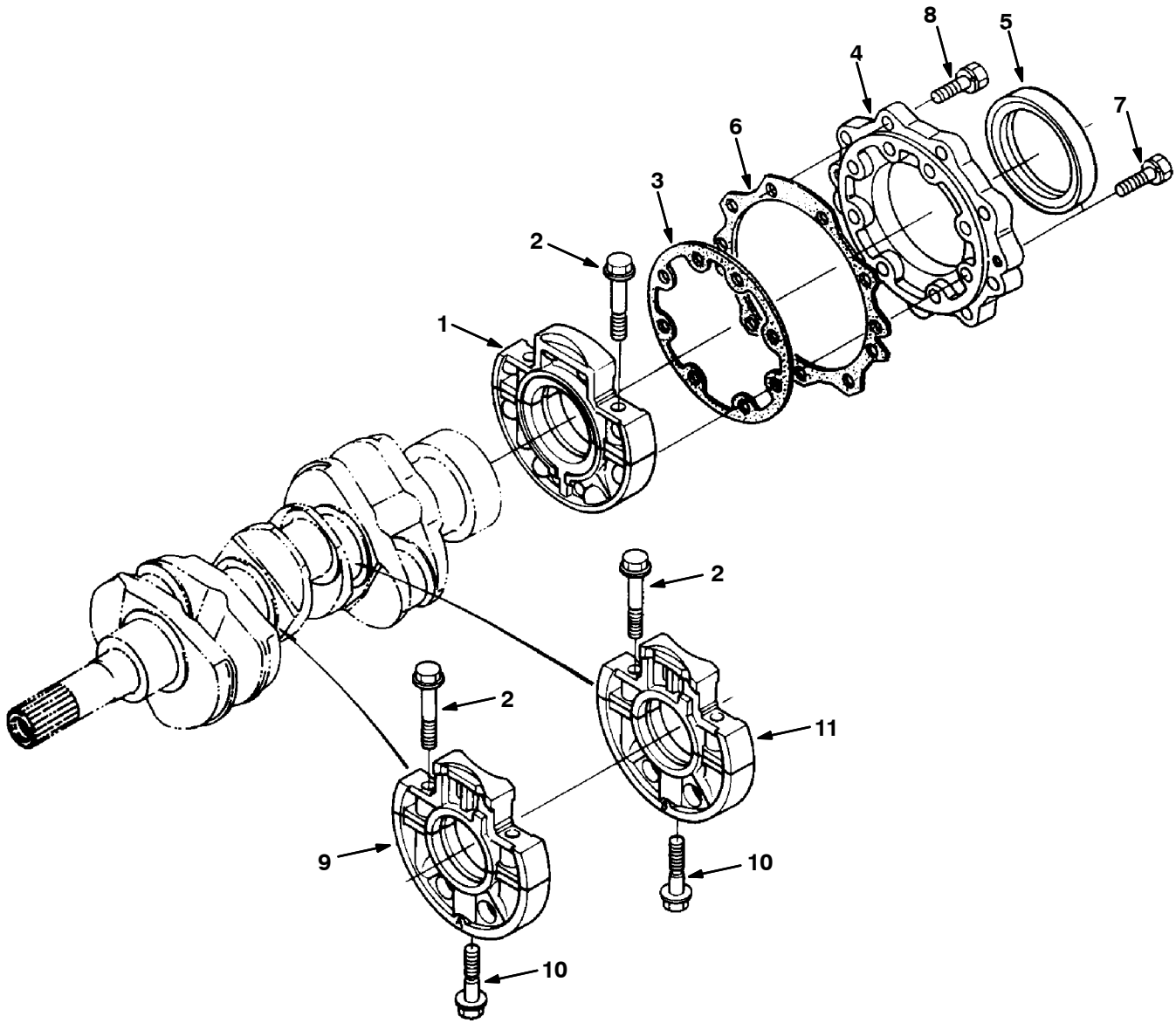


Fig. 9 - Main Bearing Case Group

Ref.	Part No.	Description	Qty.	
1	70921	Case, Brg, Main [Ku]	1	
2	72998	Screw, Hex, Case, Brg, Main [Ku]	6	
3	70922	Gasket, Case, Brg [Ku]	1	
▽	4	70923	Cover, Brg Case, Eng [Ku]	1
▲	5	70924	Seal, Oil, Rear [Ku]	1
6	70925	Gasket, Case, Gear [Ku]	1	
7	72999	Screw, Hex [Ku]	8	
8	39119	Bolt, Hex [Ku]	9	
9	70926	Bearing Assy, Case [Ku]	1	
10	73479	Screw, Hex, Case, Brg, Main [Ku]	2	
11	70927	Bearing Assy, Case [Ku]	1	

Fig. 10 - Camshaft Group

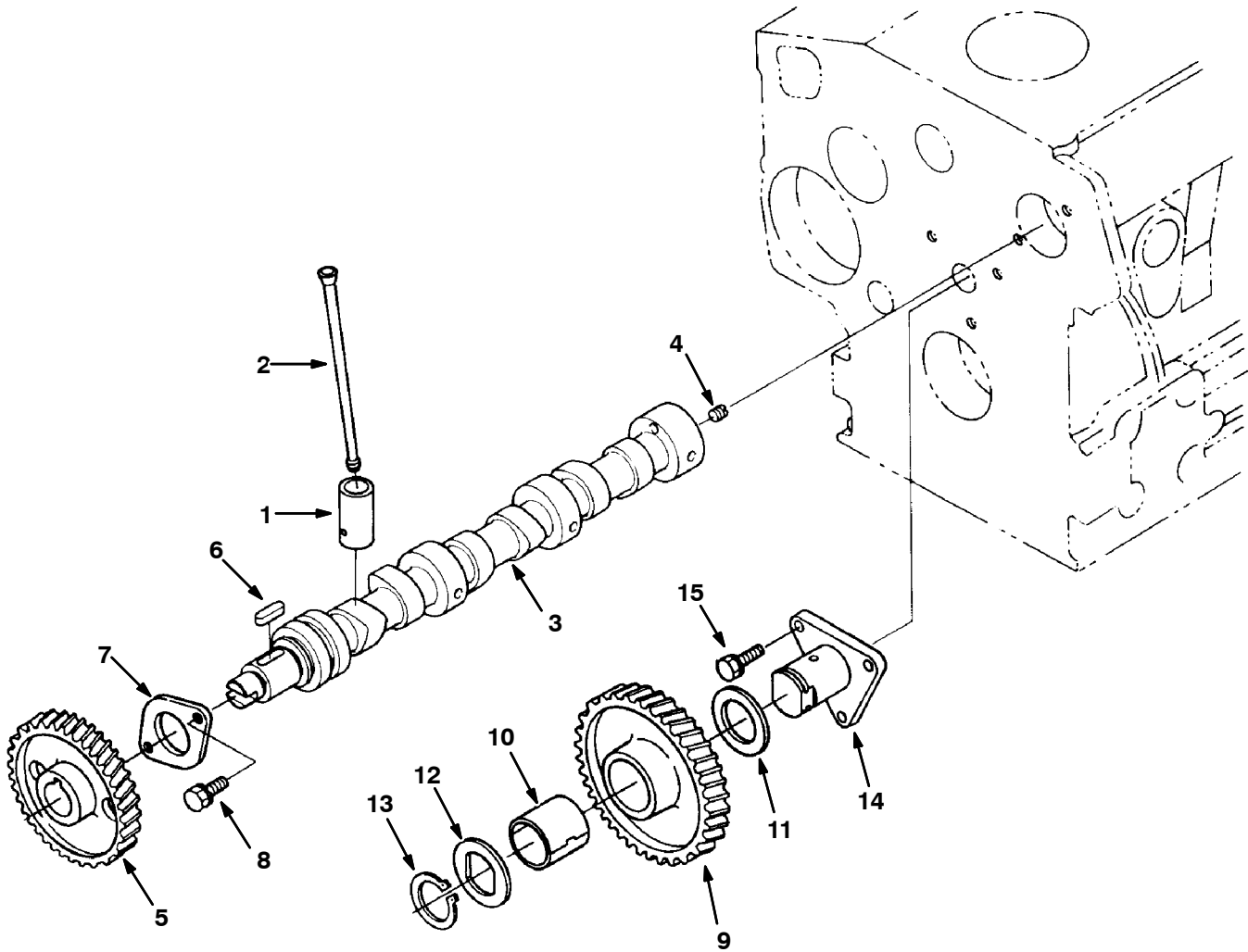


Fig. 10 - Valve and Rocker Arm Group

Ref.	Part No.	Description	Qty.	
	1	361413	Tappet, Valve [Ku]	6
	2	73509	Rod, Push, Valve [Ku]	6
▽	3	361414	Camshaft Assy [Ku]	1
▲	4	39197	Screw, Set [Ku]	1
▲	5	73511	Gear, Camshaft [Ku]	1
▲	6	73512	Key [Ku]	1
▲	7	73513	Stopper, Cam [Ku]	1
▲	8	39160	Bolt, Hex [Ku]	2
▽	9	73514	Gear, Idler, Cam [Ku]	1
▲	10	73515	Bushing, Gear, Idler [Ku]	1
	11	73516	Collar, Gear [Ku]	1
	12	73517	Washer, Collar, Gear [Ku]	1
	13	73518	Ring, Snap [Ku]	1
	14	73519	Shaft, Idler, Gear [Ku]	1
	15	41973	Bolt, Hex [Ku]	3

Fig. 11 - Valve and Rocker Arm Group

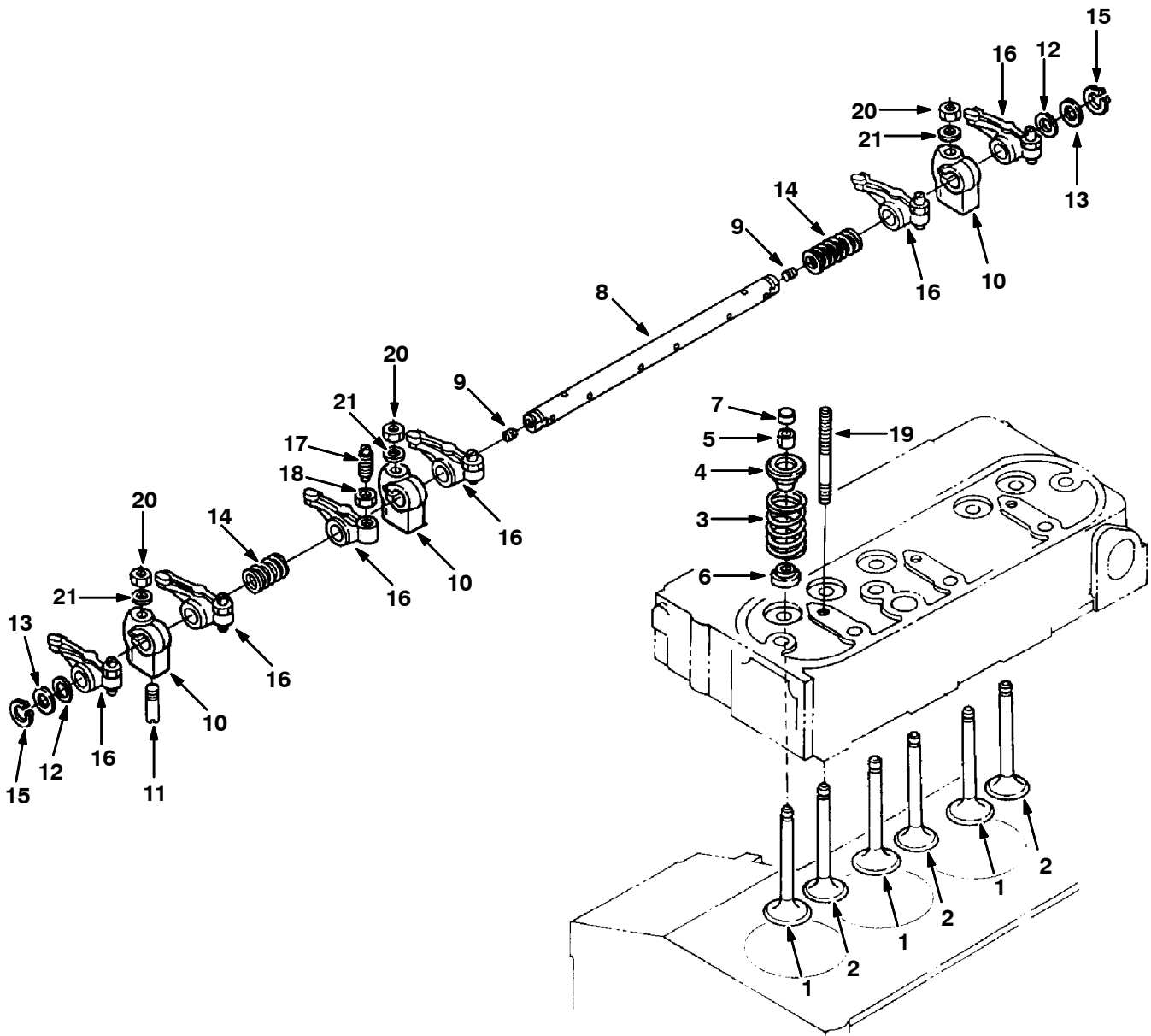




Fig. 11 - Valve and Rocker Arm Group

Ref.	Part No.	Description	Qty.	
1	70936	Valve, Intake [Ku]	3	
2	70937	Valve, Exhaust [Ku]	3	
3	73491	Spring, Valve [Ku]	6	
4	73492	Retainer, Spring, Valve [Ku]	6	
5	73493	Retainer, Spring [Ku]	12	
6	73494	Seal, Stem, Valve [Ku]	6	
7	361392	Cap, Valve [Ku]	6	
▽	8	368098	Shaft, Arm, Rocker [Ku]	1
▲	9	361363	Screw, Set [Ku]	2
▲	10	73497	Bracket, Mtg, Rocker Arm [Ku]	3
▲	11	73501	Screw, Set [Ku]	1
▲	12	73502	Washer, Shaft, Rocker [Ku]	2
▲	13	73503	Washer, Shaft, Rocker [Ku]	2
▲	14	73504	Spring, Cmpr, Rocker [Ku]	2
▲	15	73505	Ring, Snap, Ext [Ku]	2
▲▽	16	73506	Arm, Rocker [Ku]	6
▲▲	17	73507	Screw, Adj, Rocker Arm [Ku]	1
▲▲	18	73508	Nut, Hex [Ku]	1
	19	73498	Stud [Ku]	3
	20	73499	Nut, Hex [Ku]	3
	21	73500	Washer, Flat [Ku]	3

Fig. 12 - Piston and Crankshaft Group

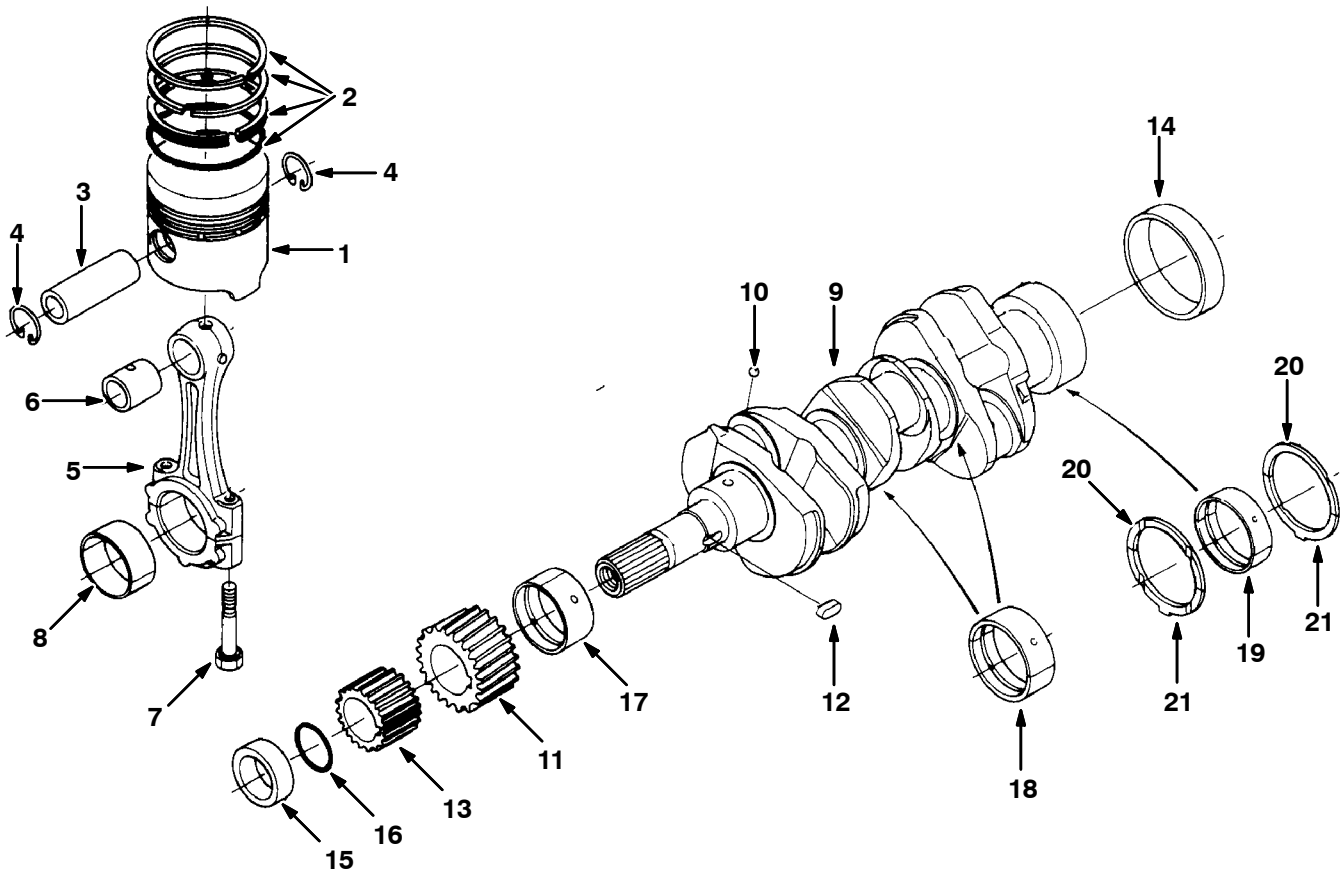
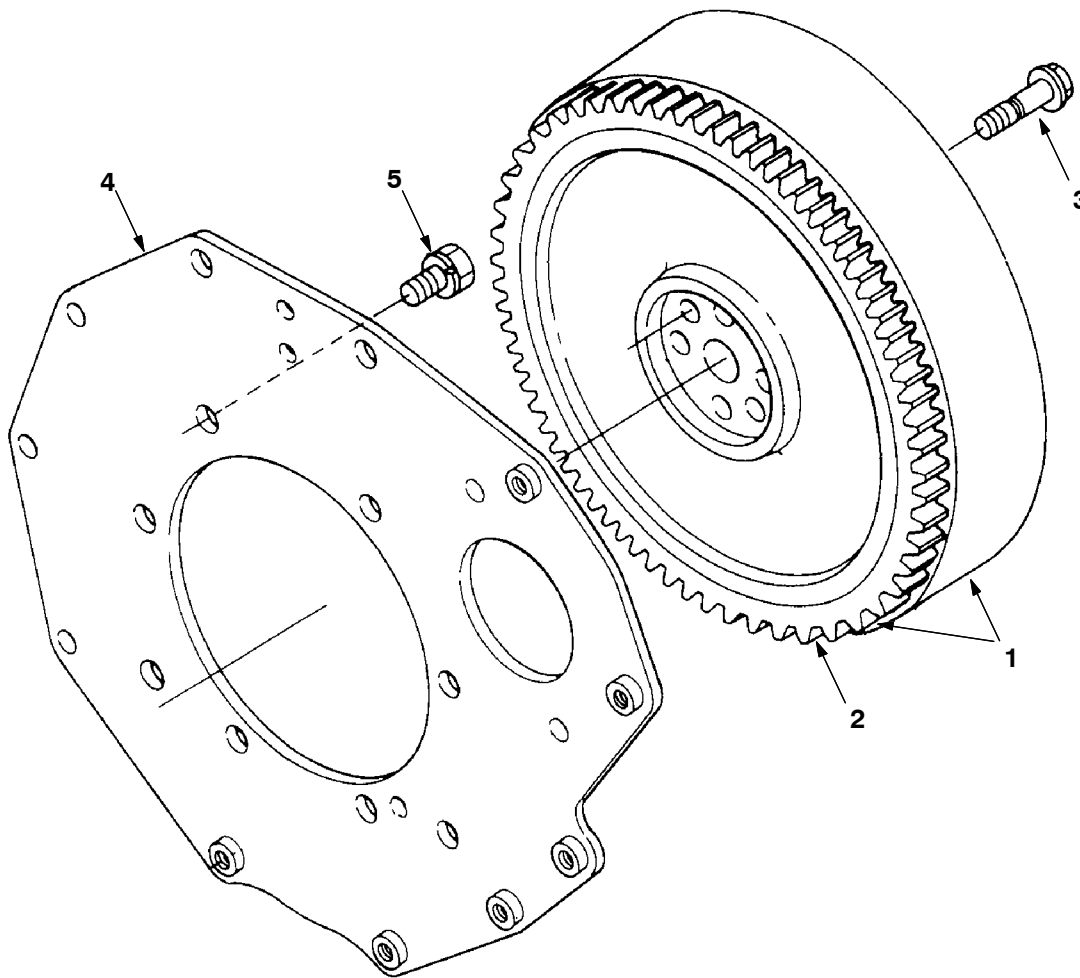


Fig. 12 - Piston and Crankshaft Group

Ref.	Part No.	Description	Qty.	
	1	73520	Piston, Eng [Ku]	3
	1	73521	Piston, Eng [Ku]	3
	2	70938	Ring Assy, Piston [Ku]	3
	2	70939	Ring Set, Piston [Ku]	3
	3	73522	Pin, Piston [Ku]	3
	4	73523	Ring, Snap, Piston [Ku]	6
▽	5	73524	Rod Assy, Connecting [Ku]	3
▲	6	70940	Bushing, Pin, Piston [Ku]	3
▲	7	73525	Screw, Rod, Connecting [Ku]	6
▲	8	66204	Bearing, Rod, Connecting [-.2mm, Ku]	6
▲	8	66207	Bearing, Rod, Connecting [-.4mm, Ku]	6
▲	8	70941	Bearing, Rod, Connecting, Std [Ku]	6
▽	9	368060	Crankshaft [Ku]	1
▲	10	73527	Ball, Cshft [Ku]	3
▲	11	73528	Gear, Cshft [Ku]	1
▲	12	73529	Key [Ku]	1
▲	13	73530	Gear, Pump, Oil [Ku]	1
▲	14	70942	Bearing, Cshft [Ku]	1
	15	70943	Collar, Crank, Front [Ku]	1
	16	70944	Seal, Org [Ku]	1
	17	70945	Bearing, Cshft, Std [Ku]	1
	17	70946	Bearing, Cshft, -.2mm [Ku]	1
	17	70947	Bearing, Cshft [Ku]	1
	18	70948	Bearing, Cshft, Std [Ku]	4
	18	70949	Bearing, Cshft, -.2mm [Ku]	4
	18	70950	Bearing, Cshft [Ku]	4
	19	70951	Bearing, Cshft, Std [Ku]	2
	19	70952	Bearing, Cshft, -.2mm [Ku]	2
	19	70953	Bearing, Cshft [Ku]	2
	20	10844	Bearing, Thrust, Std [Ku]	2
	20	70954	Bearing, Thrust [Ku]	2
	20	70955	Bearing, Thrust [-.4mm, Ku]	2
	21	10845	Bearing, Thrust, Std [Ku]	2
	21	30121	Bearing, Thrust [+.2mm, Ku]	2
	21	30122	Bearing, Thrust [+.4mm, Ku]	2

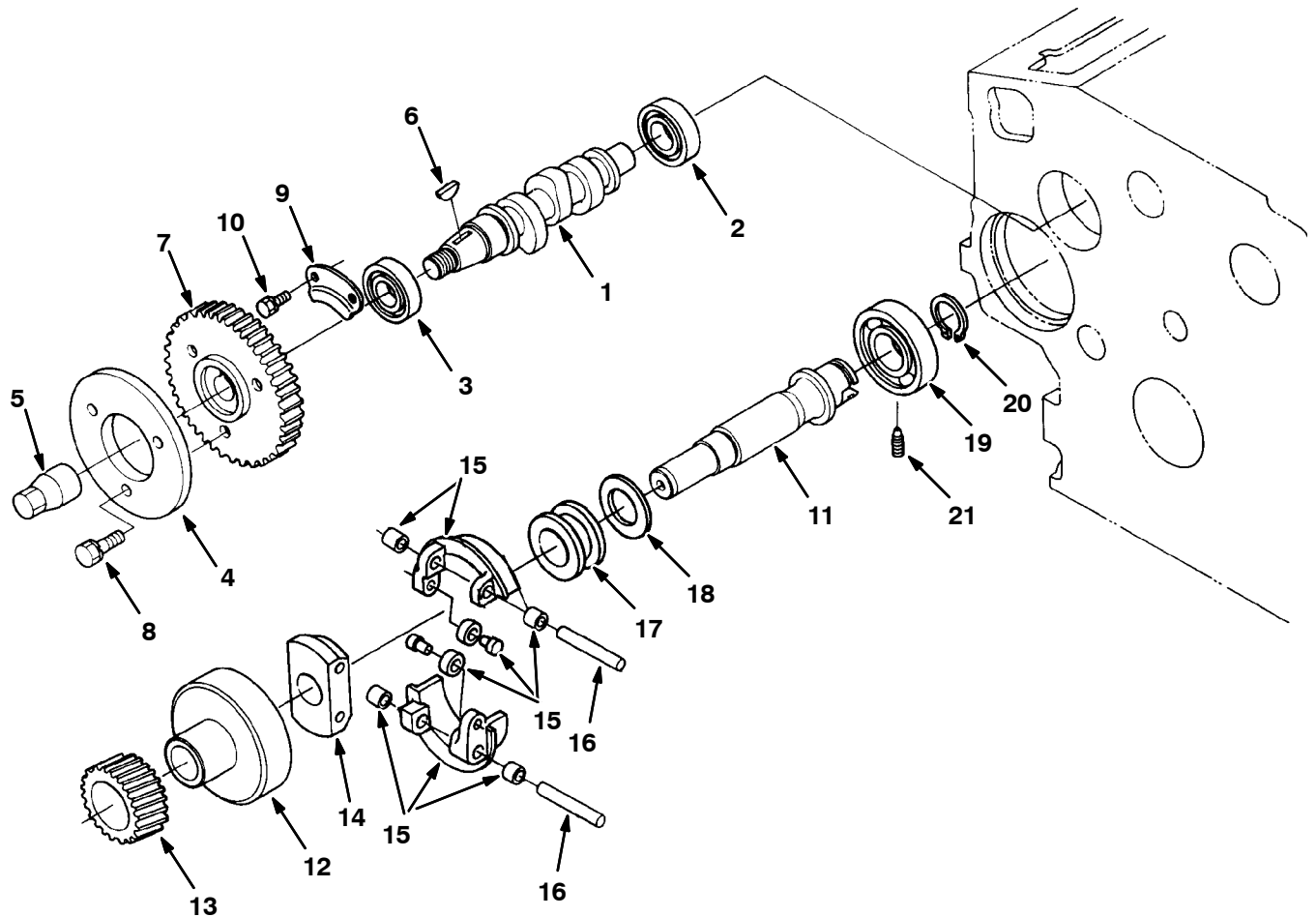
**Fig. 13 - Flywheel Group**



350197 - D

	<b>Ref.</b>	<b>Part No.</b>	<b>Description</b>	<b>Qty.</b>
▽	1	361435	Flywheel, Complt [Ku]	1
▲	2	70957	Gear, Ring, Flywheel [Ku]	1
	3	73533	Screw, Hex, Flywheel [Ku]	6
	4	361390	Plate, Eng, Rear [Ku]	1
	5	73534	Screw, Hex [Ku]	8

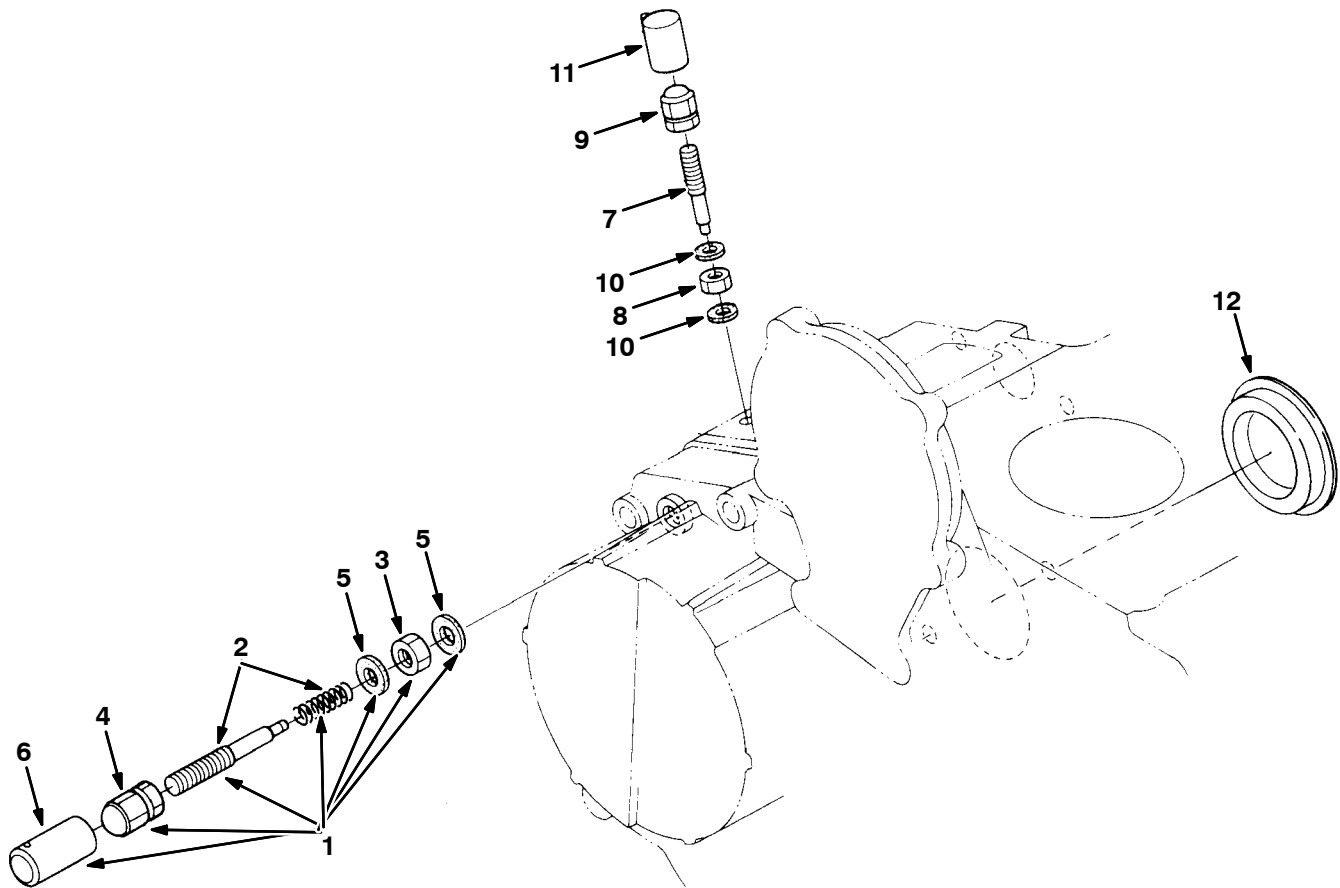
Fig. 14 - Fuel Camshaft Group



350199 - 4300D

Ref.	Part No.	Description	Qty.	
1	361377	Camshaft, Fuel [Ku]	1	
2	70975	Bearing, Ball [Ku]	1	
3	70976	Bearing, Ball [Ku]	1	
4	73592	Cam, Fuel [Ku]	1	
5	73593	Nut, Cap, Cam [Ku]	1	
6	73594	Key, Woodruff [Ku]	1	
7	73595	Gear, Pump, Fuel [Ku]	1	
8	40409	Screw, Hex [Ku]	3	
9	73596	Stopper, Fuel [Ku]	1	
10	71995	Screw, Hex [Ku]	2	
▽	11	368061	Shaft, Govnr [Ku]	1
▲	12	73598	Holder, Gear [Ku]	1
▲	13	73599	Gear, Govnr [Ku]	1
▲	14	73600	Holder, Govnr [Ku]	1
▲	15	73601	Weight, Comp, Govnr [Ku]	2
▲	16	73602	Shaft, Govnr [Ku]	2
▲	17	70977	Sleeve, Govnr [Ku]	1
▲	18	70978	Washer, Thrust [Ku]	1
	19	70979	Bearing, Ball [Ku]	1
	20	73603	Ring, Snap [Ku]	1
	21	73604	Screw, Set [Ku]	1

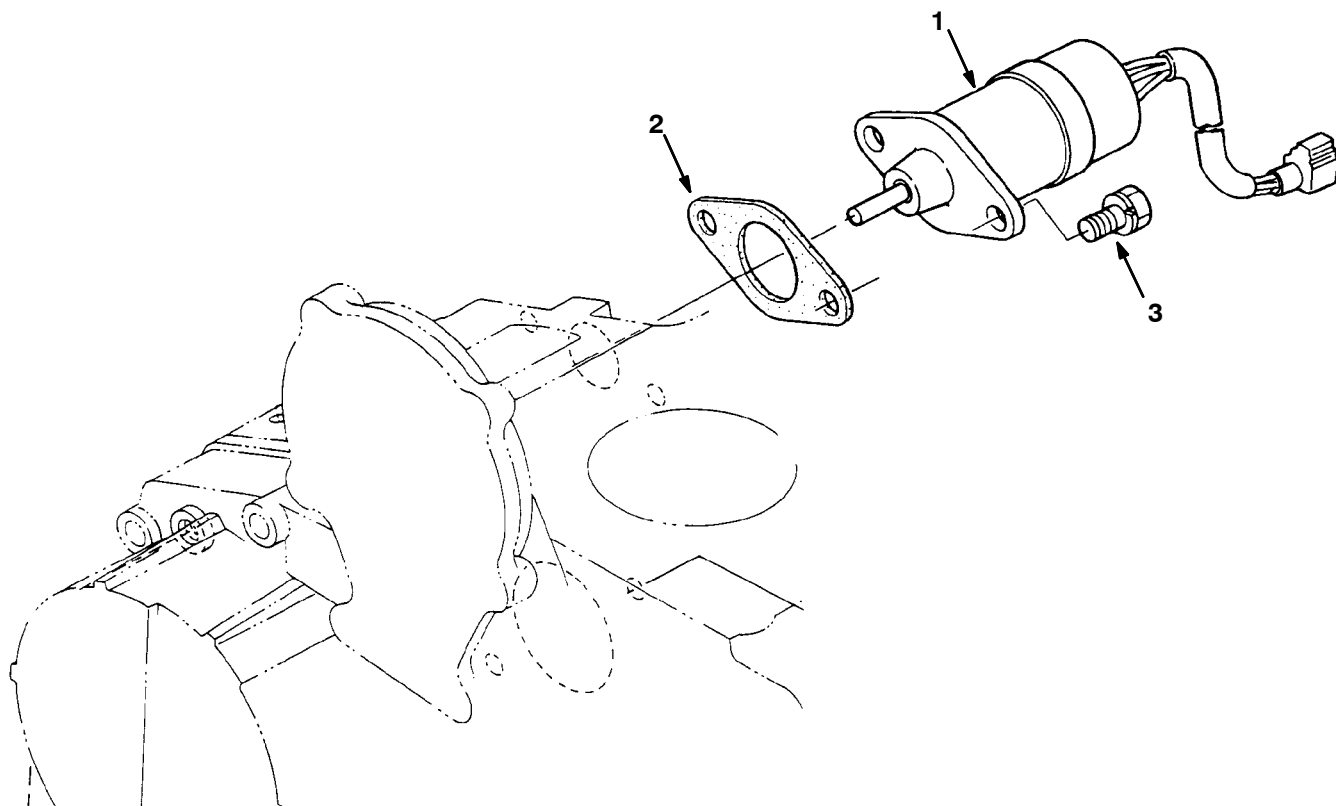
Fig. 15 - Engine Stop Lever Group



350201 - D

Ref.	Part No.	Description	Qty.
▽	1	70980 Regulator, Idle [Ku]	1
▲	2	73605 Screw Assy, Adj [Ku]	1
▲	3	73606 Nut, Hex [Ku]	1
▲	4	361375 Nut, Cap [Ku]	1
▲	5	40166 Gasket, F/ Bolt [Ku]	2
▲	6	361382 Cap, Stop [Ku] Rep.By30136	1
	7	73610 Screw, Adj, Stop [Ku]	1
	8	73606 Nut, Hex [Ku]	1
	9	361375 Nut, Cap [Ku]	1
	10	40166 Gasket, F/ Bolt [Ku]	2
	11	361382 Cap, Stop [Ku] Rep.By30136	1
	12	70188 Cover, Hole, Pump [Ku]	1

Fig. 16 - Stop Solenoid Group



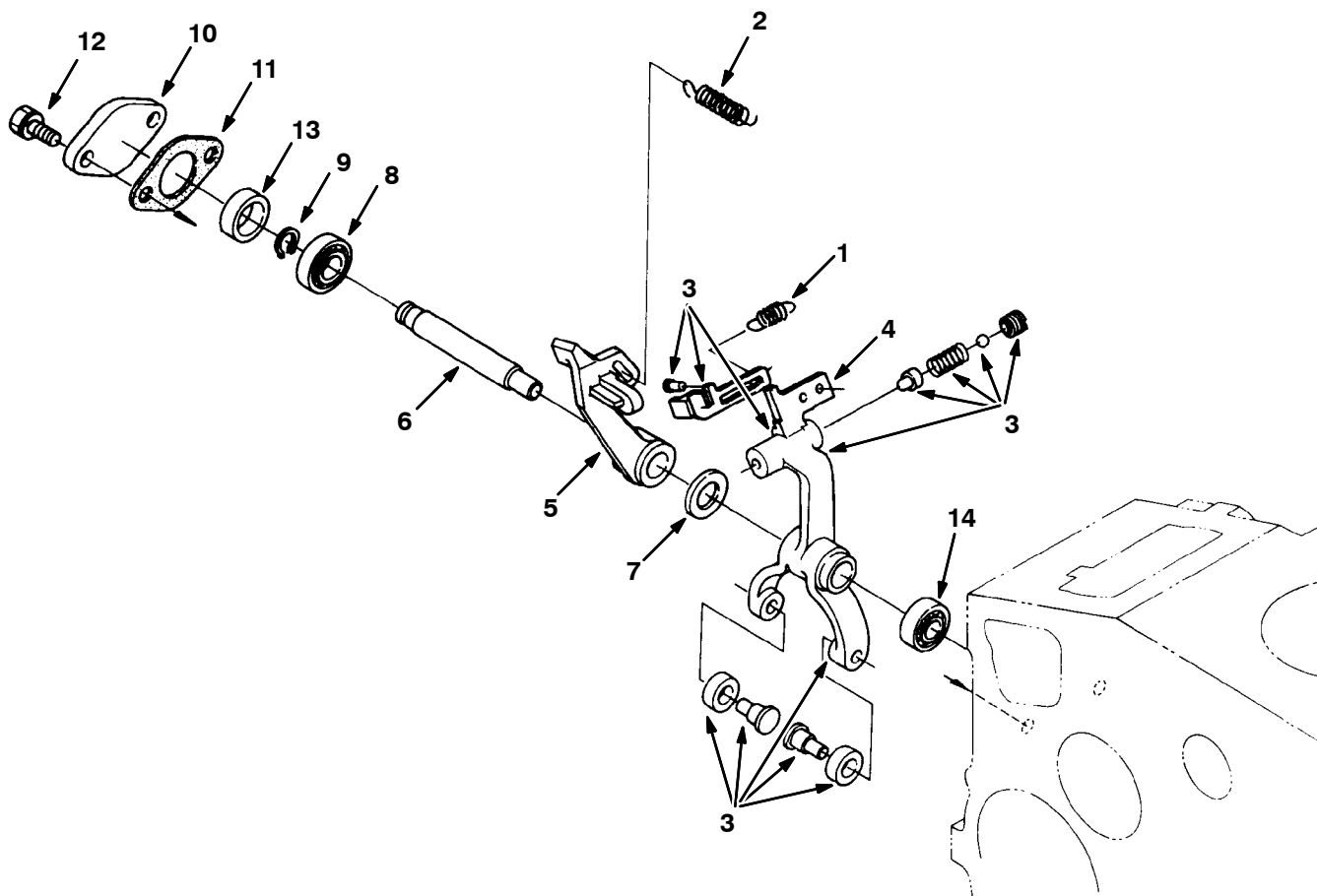
350203 - 4300D

Ref.	Part No.		Description	Qty.
1	368533	①	Stop Kit, Solenoid, Ci [Atlv 4300]	1
1	372855	②	Solenoid Kit, Stop, Eng, Dsl, Replmt	1
2	70165		Gasket, Solenoid, Throttle [Ku]	1
3	39160		Bolt, Hex [Ku]	2

① Machine Serial number (000000-001824)

② Machine Serial number (001825- )

Fig. 17 - Governor Group

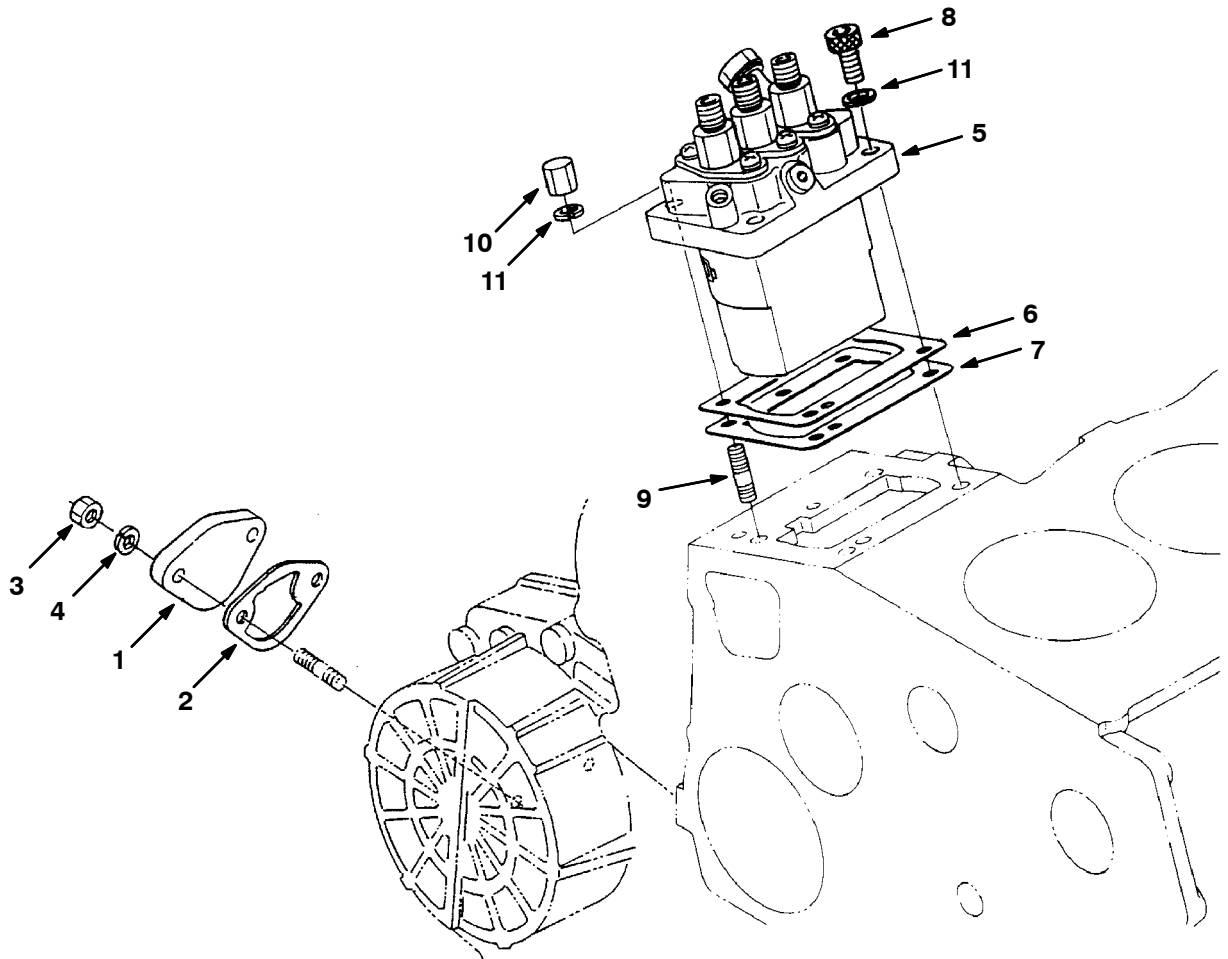


350207 - 4300D

Ref.	Part No.	Description	Qty.
1	368071	Spring, Start [Ku]	1
2	70986	Spring, Ext, Govnr [Ku]	1
▽	3	Lever Assy, Govnr [Ku]	1
▲	4	Lever, Thrust [Ku]	1
▲	5	Lever, Gov [Ku]	1
▲	6	Shaft, Govnr [Ku]	1
▲	7	Washer, Flat [Ku]	1
▲	8	Bearing, Ball [Ku]	1
▲	9	Ring, Snap, Ext [Ku]	1
10	73631	Cover, Lever, Gov [Ku]	1
11	361430	Gasket, Cover, Gov [Ku]	1
12	39160	Bolt, Hex [Ku]	2
13	70991	Collar, Govnr [Ku]	1
14	70992	Bearing, Ball [Ku]	1



Fig. 18 - Injection Pump Group



350205 - 4300D

Ref.	Part No.	Description	Qty.
1	73565	Cover, Hole, Pump, Fuel [Ku]	1
2	70974	Gr, Gasket, Pump, Fuel [Ku]	1
3	39121	Nut, Hex [Ku]	2
4	39065	Washer, Lock, Split [Ku]	2
5	361378	Pump Assy, Injection, Fuel [Ku]	1
6	368063	Shim, Injection, 0.20mm [Ku]	1
7	368064	Shim, Injection, 0.25mm [Ku]	1
7	361438	Shim, Pump, Injection, .3 [Ku]	1
8	361361	Screw, Soc [Ku]	2
9	73562	Stud [Ku]	2
10	73606	Nut, Hex [Ku]	2
11	39065	Washer, Lock, Split [Ku]	4

Fig. 19 - Injection Pump Breakdown

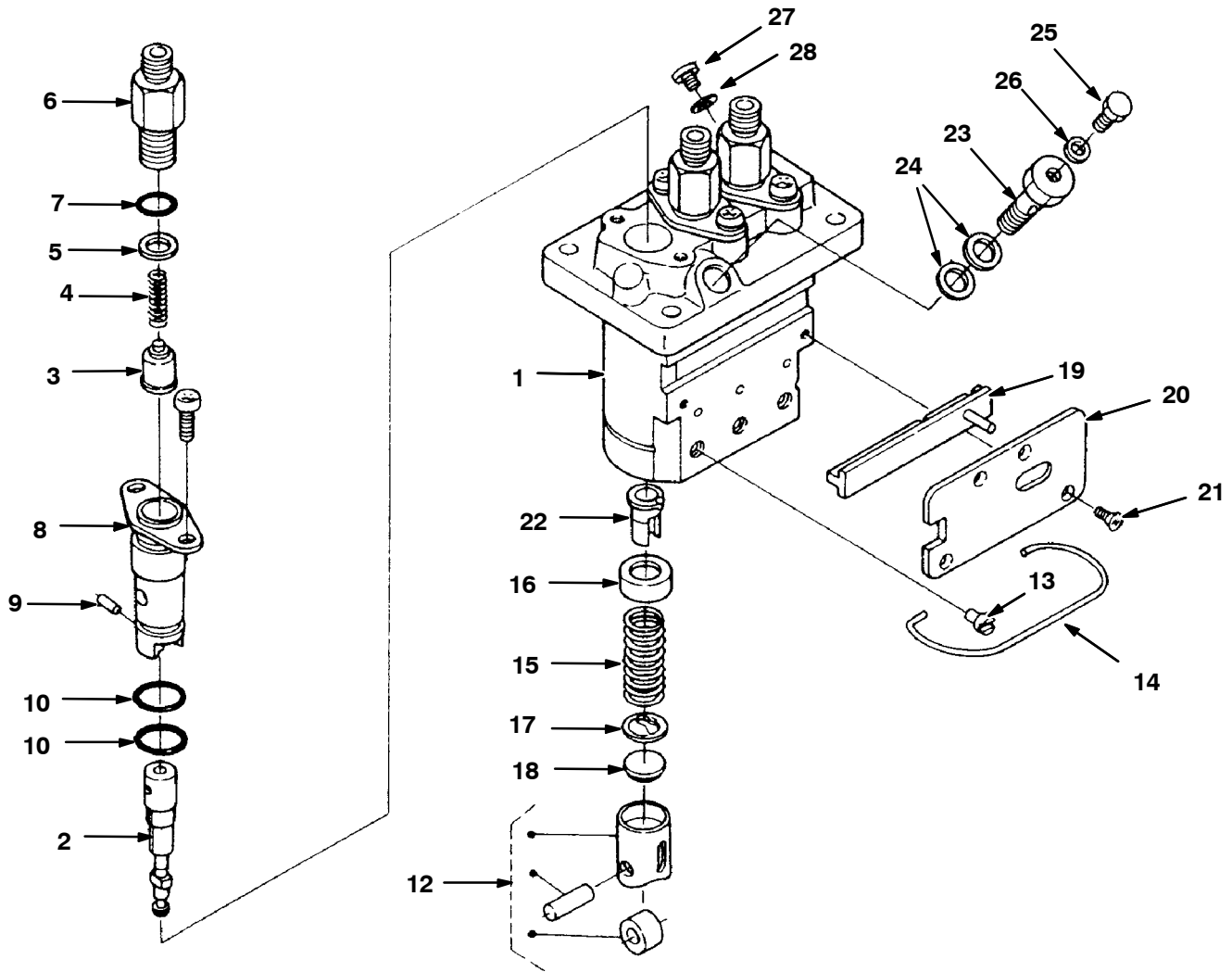
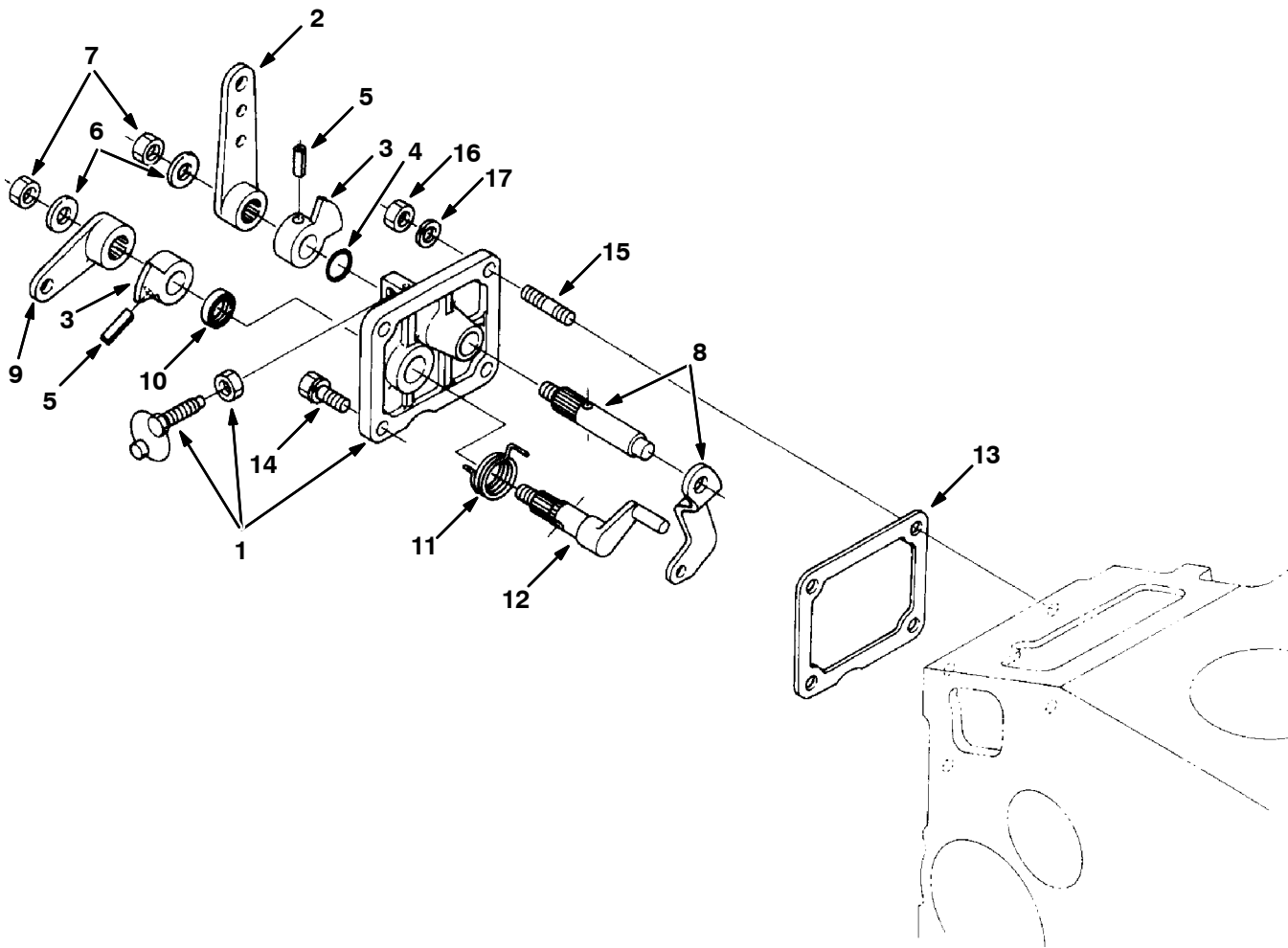


Fig. 19 - Injection Pump Breakdown

	Ref.	Part No.	Description	Qty.
▽	1	361378	Pump Assy, Injection, Fuel [Ku]	1
▲	2	84648	Plunger, Pump, Inj [Ku]	1
▲	3	73567	Valve, Eng [Delivery, Ku]	1
▲	4	73568	Spring, Cmpr, Valve, Injector [Ku]	2
▲	5	73569	Gasket, Valve, Injector [Ku]	1
▲	6	73570	Holder, Valve, Inj [Ku]	1
▲	7	73571	Seal, Org [Ku]	1
▲	8	73572	Flange, Sleeve [Ku]	2
▲	9	73573	Pin, Joint, Inj [Ku]	2
▲	10	73574	Seal, Org [Ku]	2
▲	11	73575	Screw, Hex [Ku]	4
▲	12	73576	Tappet, Pump, Injection [Ku]	1
▲	13	73577	Pin, Tappet [Ku]	1
▲	14	368067	Pin, Clamp [Ku]	1
▲	15	73579	Spring, Cmpr, Plunger [Ku]	2
▲	16	73580	Seat, Spring, Upper, Injector [Ku]	1
▲	17	73581	Seat, Spring, Lower, Injector [Ku]	1
▲	18	73582	Shim, Tappet, Injection [Ku]	1
▲	19	368069	Column, Cntrl, Rack [Ku]	2
▲	20	368066	Plate, Pump, Inj [Ku]	2
▲	21	73585	Screw, Pump, Injection [Ku]	2
▲	22	73586	Sleeve, Cntrl, Pump, Injection [Ku]	4
▲	23	84651	Follower, Screw, Pump, Injection [Ku]	1
▲	24	73588	Gasket, Ftg, Banjo [Ku]	1
▲	25	73589	Screw, Hex [Ku]	1
▲	26	73590	Gasket, F/ Screw [Ku]	2
▲	27	368068	Fitting, Plug, Pump, Injection [Ku]	1
▲	28	368065	Gasket, F/ Screw [Ku]	1

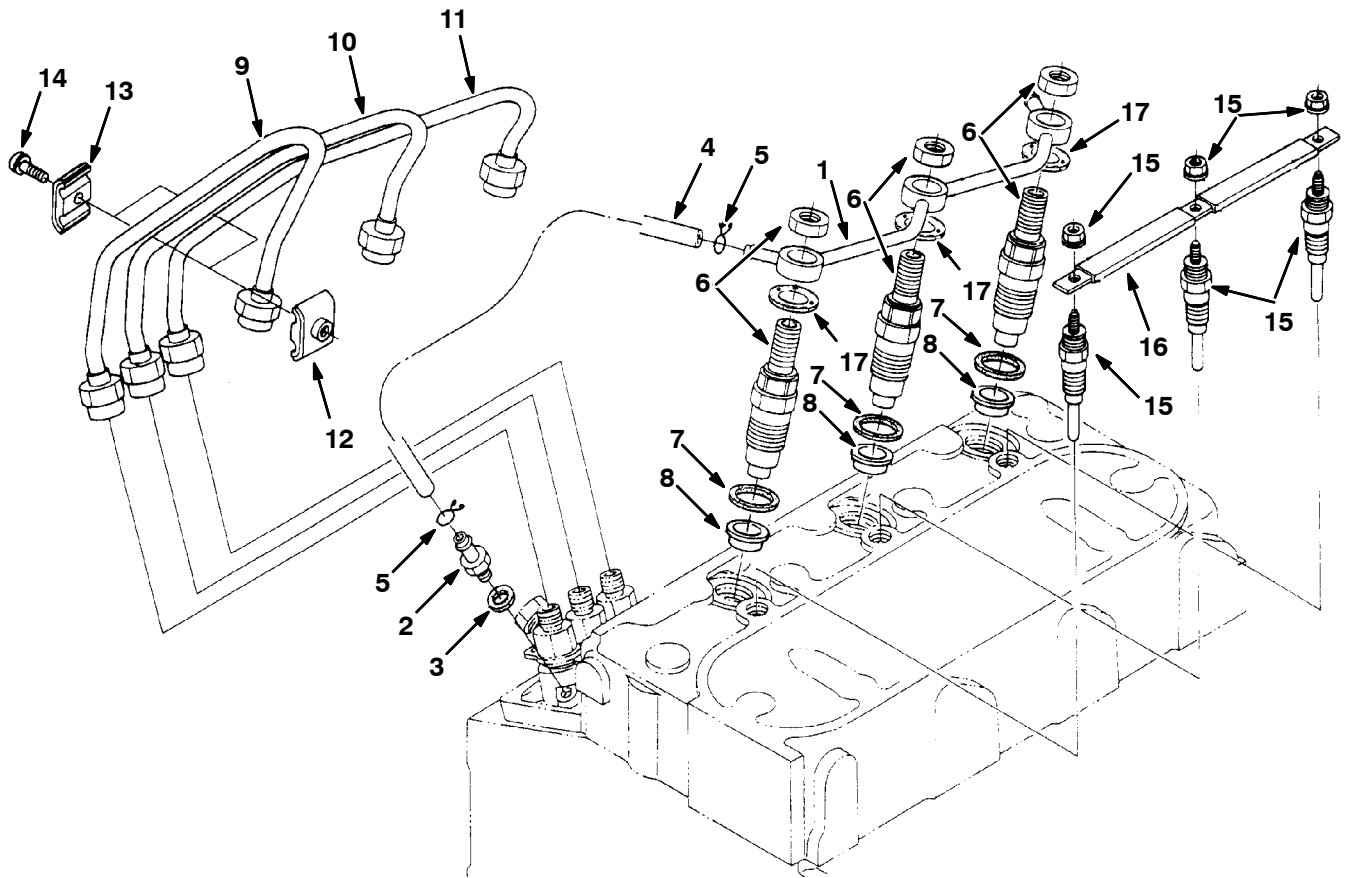
Fig. 20 - Speed Control Plate Group



350209 - D

Ref.	Part No.	Description	Qty.
▽	1 70982	Plate, Cntrl, Spd [Ku]	1
▲	2 73618	Lever, Cntrl, Spd [Ku]	1
▲	3 73619	Lever, Cntrl, Spd [Ku]	2
▲	4 73620	Seal, Org [Ku]	1
▲	5 40407	Pin, Spring [Ku]	2
▲	6 73621	Washer, Flat [Ku]	2
▲	7 73622	Nut, Hex [Ku]	2
▲	8 73623	Lever, Plate, Cntrl [Ku]	1
▲	9 73624	Lever, Stop [Ku]	1
▲	10 70983	Seal, Oil [Ku]	1
▲	11 73625	Spring, Tors [Ku]	1
▲	12 73626	Shaft, Lever, Spd [Ku]	1
	13 70984	Gasket, Cover, Spd [Ku]	1
	14 41973	Bolt, Hex [Ku]	2
	15 72018	Stud [Ku]	2
	16 39121	Nut, Hex [Ku]	2
	17 39065	Washer, Lock, Split [Ku]	2

Fig. 21 - Nozzle Holder and Glow Plug Group



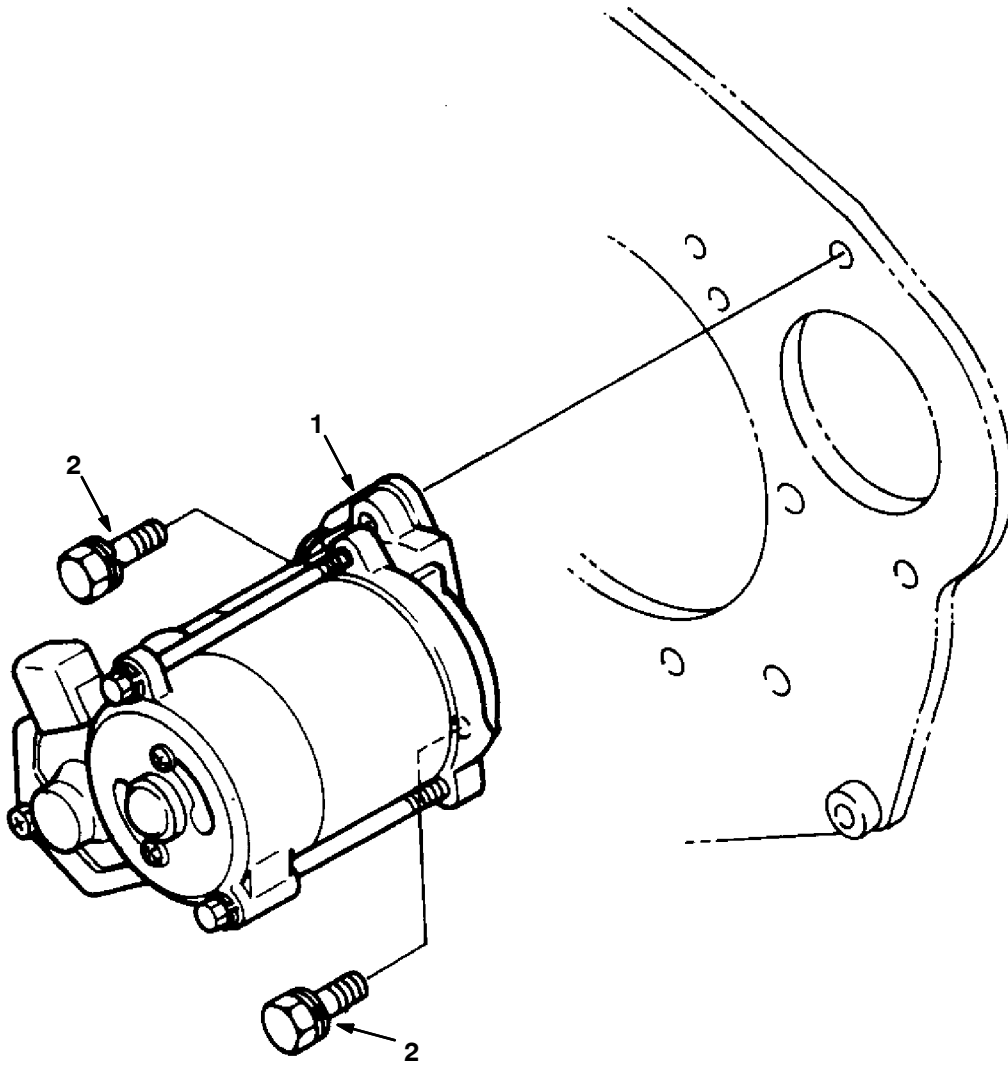
350211 - D

Ref.	Part No.	Description	Qty.	
1	361415	Tube, Fuel, Overflow [Ku]	1	
2	73555	Fitting, Fuel [Ku]	1	
3	40166	Gasket, F/ Bolt [Ku]	1	
▽	4	361373	Hose, Fuel [Ku]	1
▲	5	361368	Clamp, Hose [Ku] Rep.By30134	2
	6	393674	① Housing Assy, Nozzle	3
▽	6	372917	② Housing Assy, Nozzle	3
▲	7	70964	Gasket, Nozzle, Injector [Ku]	3
▲	8	20719	Seal, Heat, Nozzle [Ku]	3
	9	70965	Tube, Injector, Pipe #1 [Ku]	1
	10	70966	Tube, Injector, Pipe #2 [Ku]	1
	11	70967	Tube, Injector, Pipe #32 [Ku]	1
	12	30131	Clamp, Tube, Inj, Pipe #1 [Ku]	2
	13	30132	Clamp, Tube, Inj, Pipe #21 [Ku]	2
	14	39508	Screw, Pan [Ku]	2
	15	84638	Glowplug [Ku]	3
	16	361418	Conductor, Glowplug [Ku]	1
	17	370727	Gasket	3

① Kubota Serial number (Wxxxxx-3xxxxxx)

② Kubota Serial number ( 4xxxxx- )

Fig. 22 - Starter Group



**Fig. 22 - Starter Group**

<b>Ref.</b>	<b>Part No.</b>	<b>Description</b>	<b>Qty.</b>
1	361349	Starter, 12vdc [Ku]	1
2	73535	Screw, Hex [Ku]	2

Fig. 23 - Starter Breakdown

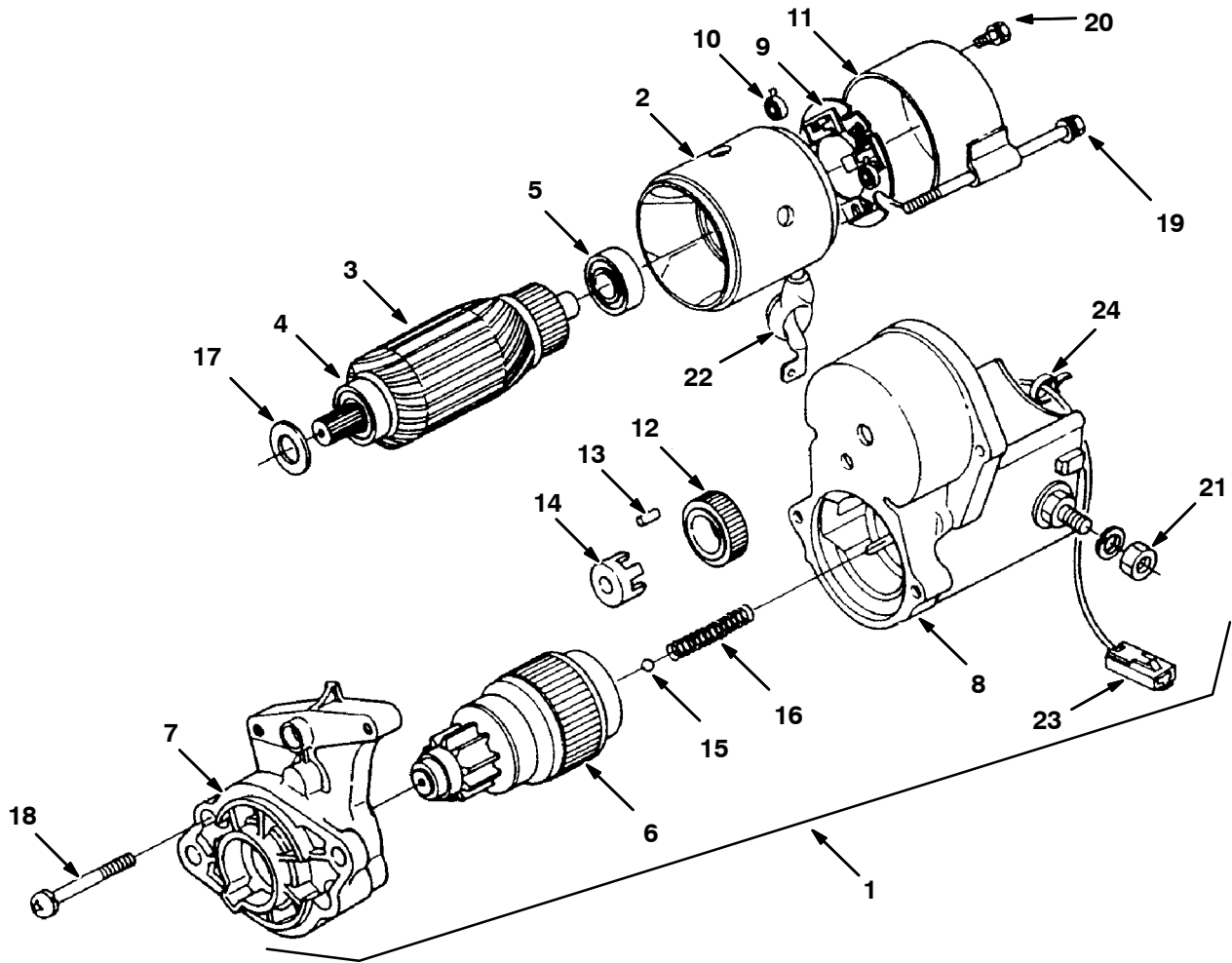
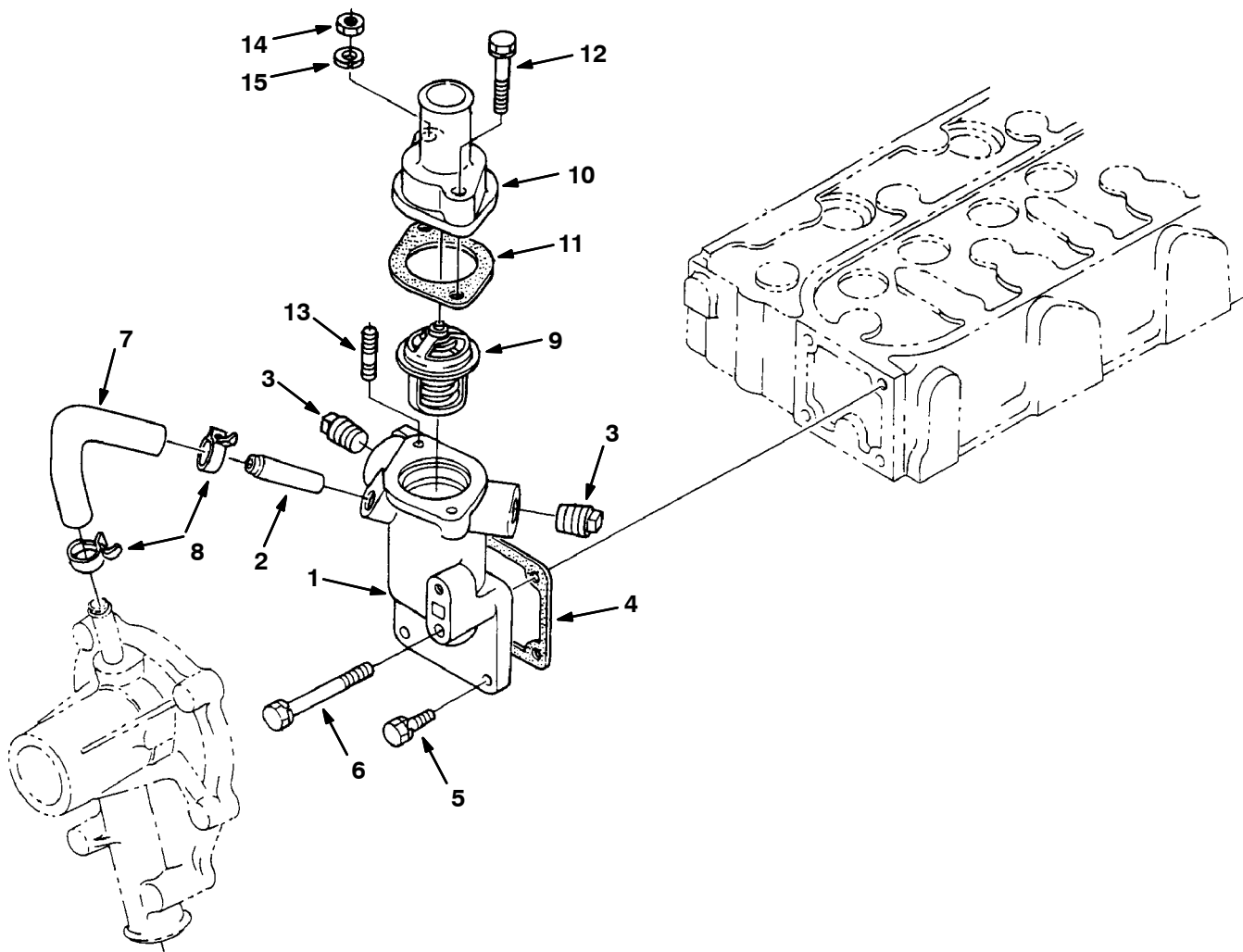




Fig. 23 - Starter Breakdown

	Ref.	Part No.	Description	Qty.
▽	1	361349	Starter, 12vdc [Ku]	1
▲	2	368088	Yoke, Starter [Ku]	1
▲▽	3	368083	Armature, Motor [Ku]	2
▲▲	4	368085	Bearing, Ball [Ku]	1
▲▲	5	73538	Bearing, Ball [Ku]	3
▲	6	70961	Clutch, Starter [Ku]	1
▲	7	73539	Housing, Starter [Ku]	1
▲	8	361351	Solenoid, Starter [Ku]	2
▲▽	9	361352	Holder, Brush [Ku]	1
▲▲	10	40442	Spring, Brush, Starter [Ku]	1
▲	11	73543	Frame, End, Starter [Ku]	1
▲	12	40457	Gear, Starter [Ku]	1
▲	13	73544	Roller, Starter [Ku]	1
▲	14	73545	Retainer, Gear, Starter [Ku]	1
▲	15	73546	Ball [Ku]	1
▲	16	73547	Spring, Ext [Ku]	1
▲	17	368087	Washer, Felt [Ku]	1
▲	18	73548	Screw, Pan [Ku]	2
▲	19	73549	Bolt, Hex [Ku]	1
▲	20	73550	Bolt, Hex [Ku]	3
▲	21	73551	Nut, Hex [Ku]	1
▲	22	73552	Boot, Wire, Starter [Ku]	1
▲	23	368086	Wire, Solenoid, Starter [Ku]	2
▲	24	368084	Band, Cover [Ku]	1

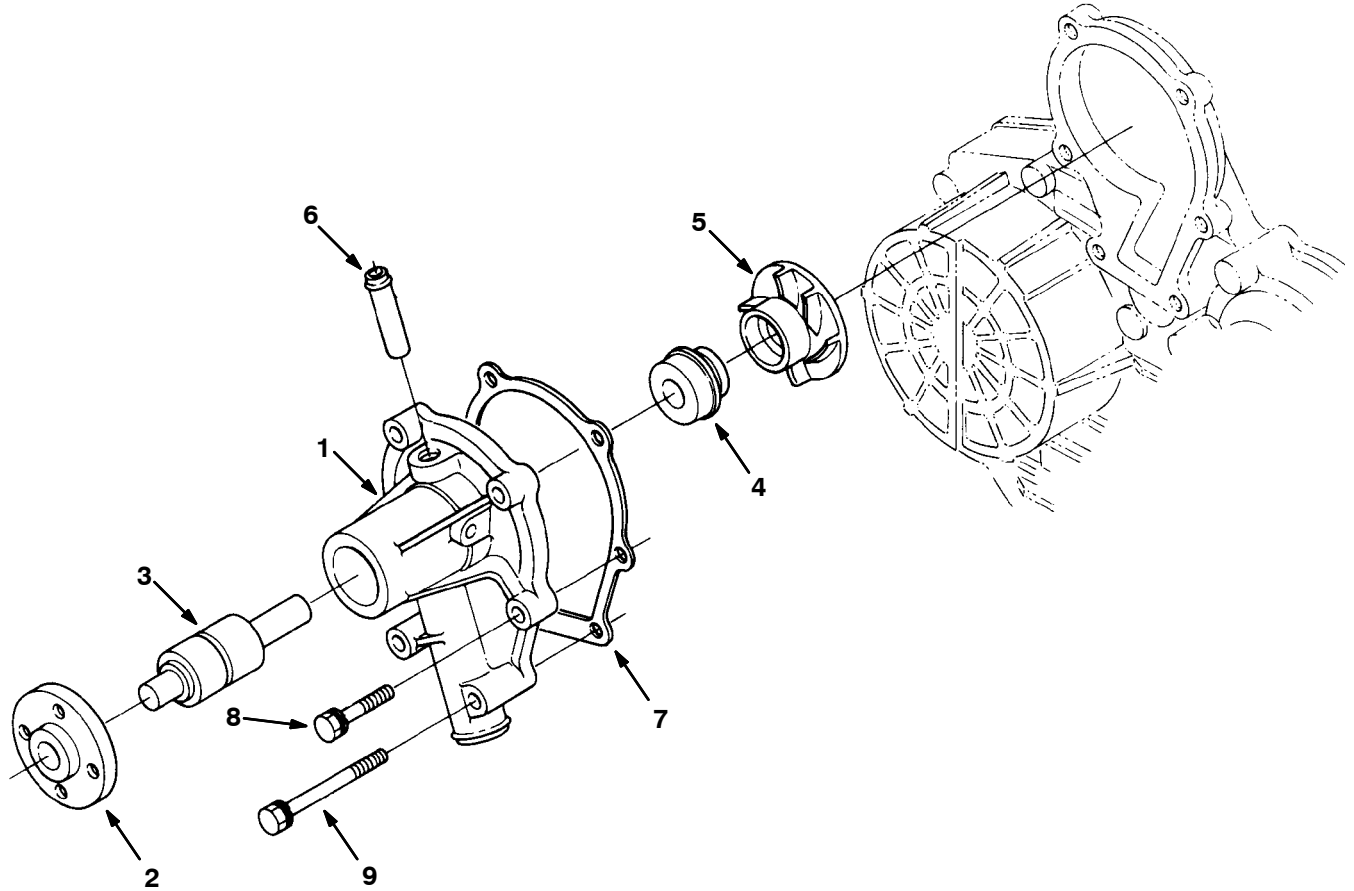
Fig. 24 - Water Flange and Thermostat Group



350215 - 4300D

Ref.	Part No.	Description	Qty.
1	368090	Flange, Water [Ku]	1
2	361440	Fitting, Pipe, Water [Ku]	1
3	73632	Fitting, Pipe, Plug [Ku]	2
4	70994	Gasket, Hsg, Thermostat [Ku]	1
5	41973	Bolt, Hex [Ku]	3
6	72995	Screw, Hex [Ku]	1
7	73633	Hose, Water [Ku]	1
8	73634	Clamp, Hose, Heater [Ku]	2
9	368089	Thermostat, 160deg, 1.7d [Ku]	1
10	368091	Housing, Thermostat [Ku]	1
11	368092	Gasket, Thermostat [Ku]	1
12	40418	Bolt [Ku]	1
13	361402	Stud [Ku]	1
14	39121	Nut, Hex [Ku]	1
15	39065	Washer, Lock, Split [Ku]	1

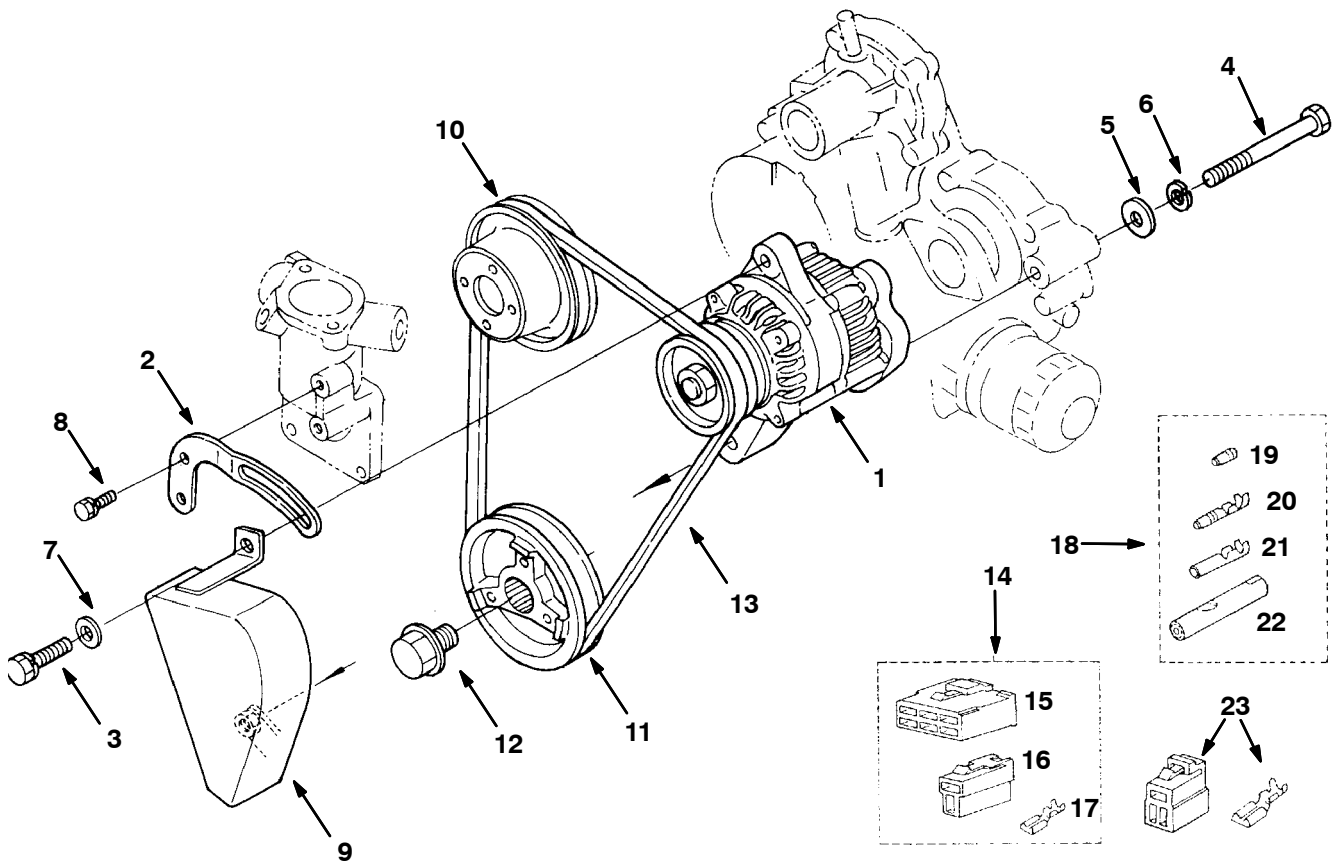
Fig. 25 - Water Pump Group



350217 - 4300D

Ref.	Part No.	Description	Qty.
▽	1 361400	Pump, Water	1
▲	2 70919	Flange, Pump, Water [Ku]	1
▲	3 70915	Bearing, Ball, Pump, Water [Ku]	1
▲	4 70916	Seal, Pump, Water [Ku]	1
▲	5 70917	Impeller, Pump, Water [Ku]	1
▲	6 70918	Pipe, Return, Pump, Water[Ku] 16241-	1
	7 361419	Gasket, Pump, Water [Ku]	1
	8 72996	Screw, Hex [Ku]	4
	9 72997	Screw, Hex [Ku]	2

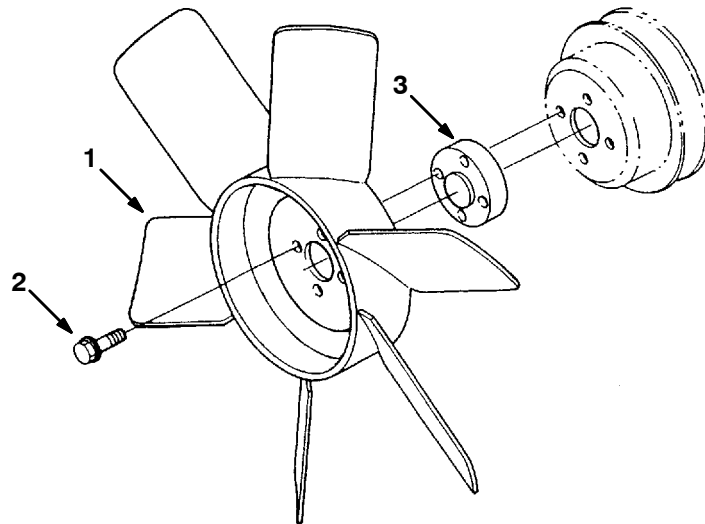
## Fig. 26 - Alternator and Pulley Group



350219 - 4300D

Ref.	Part No.	Description	Qty.	
1	361387	Alternator, 12vdc A [Ku] 16231-64012	1	
2	361399	Arm, Alternator [Ku]	1	
3	73535	Screw, Hex [Ku]	1	
4	361360	Screw, Hex [Ku]	1	
5	361364	Washer, Flat [Ku]	1	
6	39399	Washer, Spring [Ku]	1	
7	361365	Washer, Flat [Ku]	1	
8	41973	Bolt, Hex [Ku]	1	
9	361434	Guard, Belt [Ku]	1	
10	55847	Sheave, Fan [Ku]	1	
11	361386	Sheave, Cshft [Ku]	1	
12	73532	Screw, Hex, Cshft [Ku]	1	
13	368082	Belt, V, 9.5mm 37.4l [Ku]	1	
▽	14	368072	Connector Assy, Blade, 6 & 2 Terminal	1
▲	15	368074	Connector, Blade, 6 Terminal [Atlv]	1
▲	16	368075	Connector, Blade, 2 Terminal [Altv]	1
▲	17	368078	Terminal, Qf, .25	1
▽	18	368079	Connector Assy, Bullet [Atlv]	1
▲	19	368081	Terminal, Bullet [Atlv]	1
▲	20	368077	Terminal, Bullet, Mal [Atlv]	1
▲	21	368080	Terminal, Bullet [Atlv]	1
▲	22	368076	Connector, Bullet [Atlv]	1
▲	23	368073	Connector Assy, Blade, 3 Terminal	1

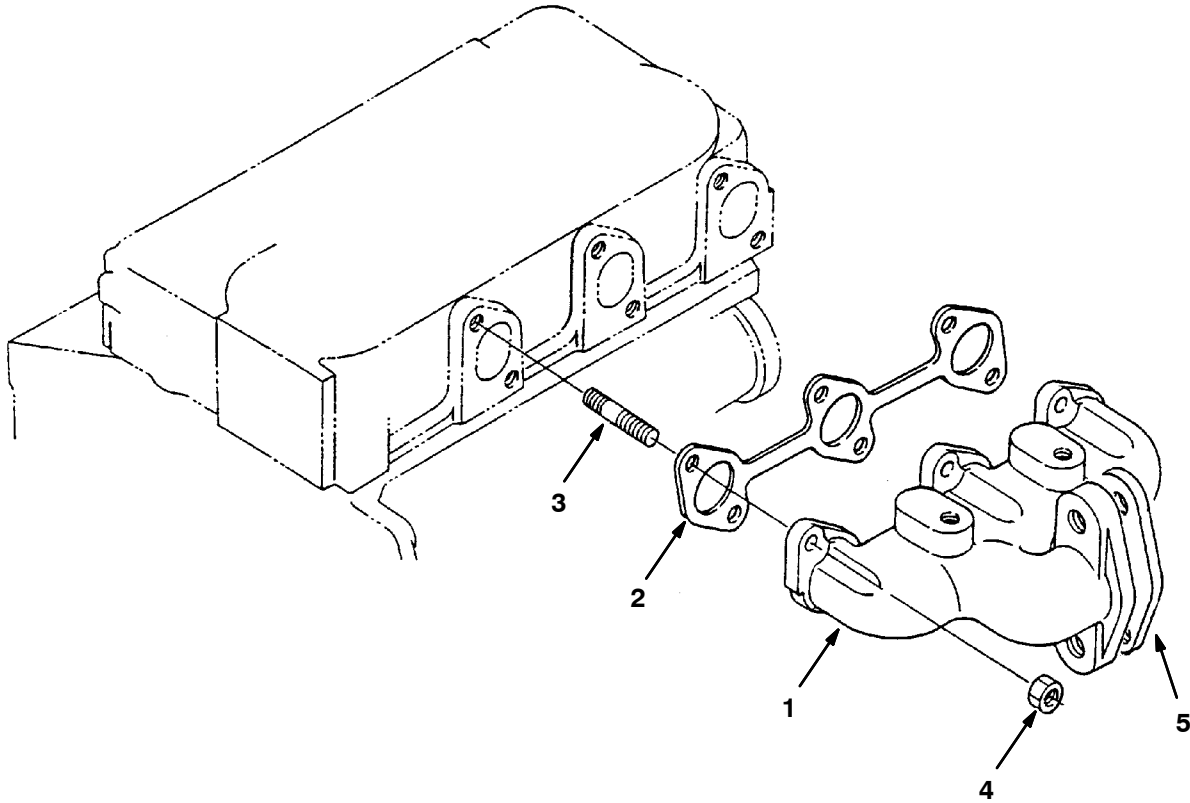
Fig. 27 - Fan Group



351856 - 4300D

Ref.	Part No.	Description	Qty.
1	367262	Fan, Cooling, 6 Blade [Ku]	1
2	368096	Bolt, Flng [Ku]	4
3	368097	Spacer, Fan [Ku]	1

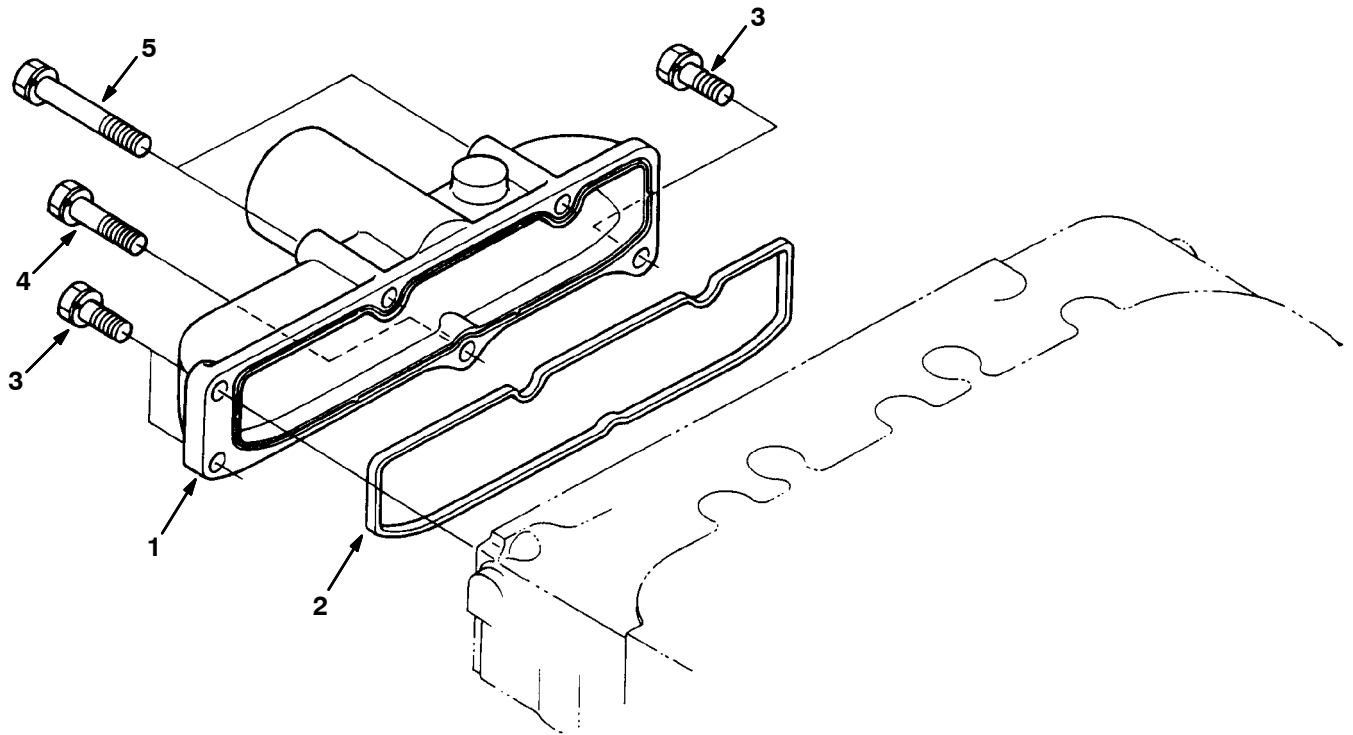
Fig. 28 - Exhaust Manifold Group



352011 - D

Ref.	Part No.	Description	Qty.
1	361420	Manifold, Exhaust [Ku]	1
2	361407	Gasket, Exhaust [Ku]	1
3	73488	Stud [Ku]	6
4	361427	Nut, Hex [Ku]	6
5	368099	Gasket, Manifold, Exhaust [Ku]	1

Fig. 29 - Inlet Manifold Group



350225 - D

Ref.	Part No.	Description	Qty.
▽	1 361405	① Manifold Assy, Inlet Rep.By361404	1
▲	2 361406	① Gasket, Manifold, Intake [Ku]	1
▽	1 372910	② Manifold Assy, Inlet	1
▲	2 361406	② Gasket, Manifold, Intake [Ku]	1
	3 40409	Screw, Hex [Ku]	3
	4 72996	Screw, Hex [Ku]	1
	5 72994	Screw, Hex [Ku]	2

① Kubota Serial number (Wxxxxx-3xxxxxx)

② Kubota Serial number ( 4xxxxx- )





## SECTION 6

<b>Contents</b>	<b>Page</b>
Fig. 1 - Crankcase Group .....	6-2
Fig. 2 - Oil Pan Group .....	6-4
Fig. 3 - Cylinder Head Group .....	6-6
Fig. 4 - Gear Case Group .....	6-8
Fig. 5 - Head Cover Group .....	6-10
Fig. 6 - Remote Oil Filter Group .....	6-12
Fig. 7 - Dipstick and Guide Group .....	6-13
Fig. 8 - Main Bearing Case Group .....	6-14
Fig. 9 - Camshaft Group .....	6-16
Fig. 10 - Valve and Rocker Arm Group .....	6-18
Fig. 11 - Piston and Crankshaft Group .....	6-20
Fig. 12 - Flywheel Group .....	6-22
Fig. 13 - Fuel Camshaft Group .....	6-23
Fig. 14 - Engine Stop Lever Group .....	6-24
Fig. 15 - Stop Solenoid Group .....	6-25
Fig. 16 - Governor Group .....	6-26
Fig. 17 - Injection Pump Group .....	6-27
Fig. 18 - Injection Pump Breakdown .....	6-28
Fig. 19 - Speed Control Plate Group .....	6-30
Fig. 20 - Nozzle Holder and Glow Plug Group ..	6-31
Fig. 21 - Nozzle Holder Breakdown .....	6-32
Fig. 22 - Starter Group .....	6-33
Fig. 23 - Starter Breakdown .....	6-34
Fig. 24 - Water Flange and Thermostat Group .	6-36
Fig. 25 - Water Pump Group .....	6-37
Fig. 26 - Alternator and Pulley Group .....	6-38
Fig. 27 - Fan Group .....	6-39
Fig. 28 - Exhaust Manifold Group .....	6-40
Fig. 29 - Inlet Manifold Group .....	6-41

Fig. 1 - Crankcase Group

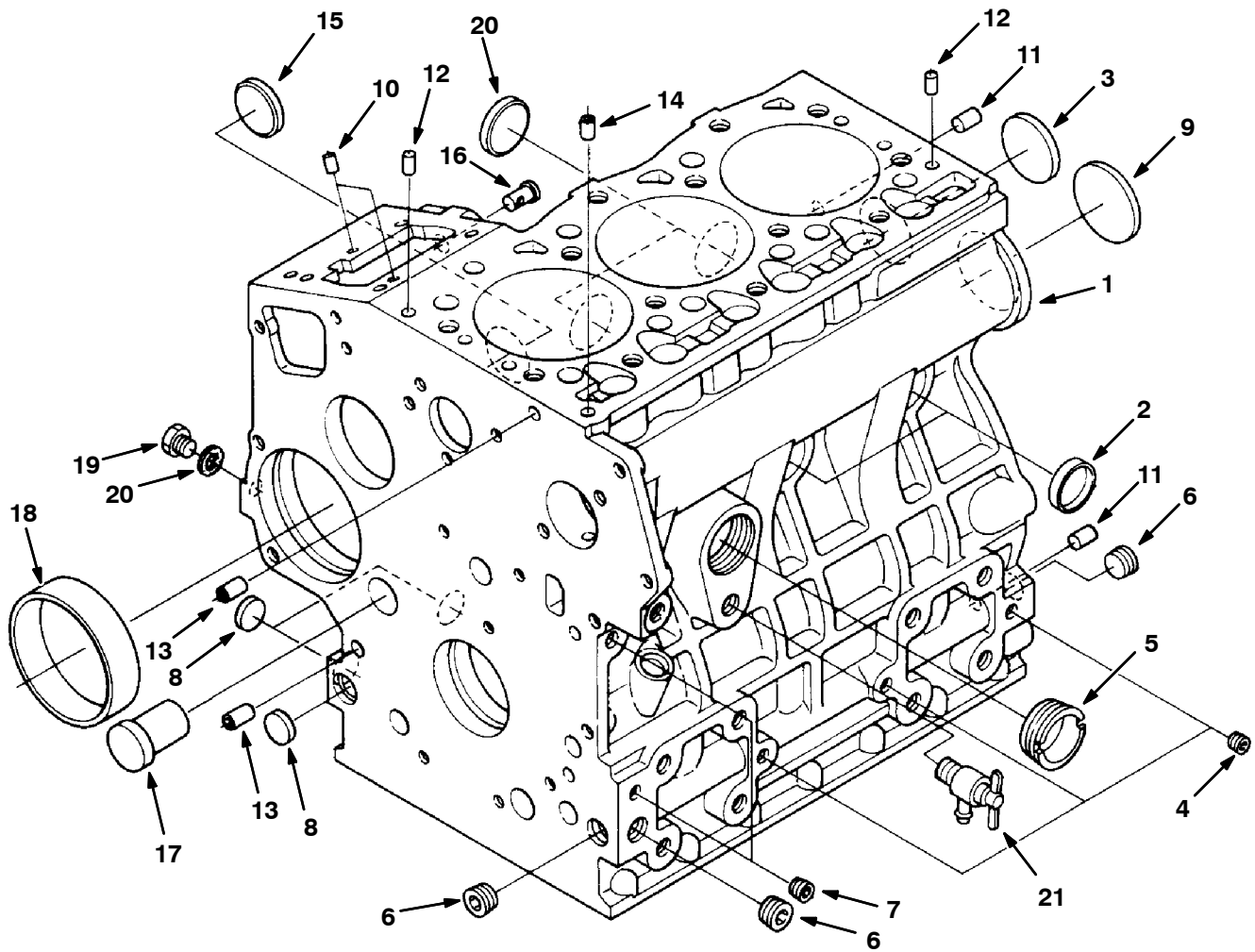


Fig. 1 - Crankcase Group

	Ref.	Part No.	Description	Qty.
▽	1	372923	Crankcase, Complt	1
▲	2	70998	Plug, Cup, Sealing [Ku]	4
▲	3	39087	Plug, Cup, Sealing [Ku]	1
▲	4	39088	Fitting, Pipe, Plug [Ku]	3
▲	5	70999	Plug, Eng [Ku]	1
▲	6	71985	Fitting, Pipe, Plug [Ku]	3
▲	7	39051	Fitting, Pipe, Plug [Ku]	2
▲	8	361436	Plug, Cup, Sealing [Ku]	3
▲	9	71986	Plug, Cup, Sealing [Ku]	1
▲	10	71987	Pin, Dowel [Ku]	2
▲	11	71988	Pin, Dowel [Ku]	2
▲	12	71989	Pin, Dowel [Ku]	2
▲	13	361371	Tube, Pin [Ku]	2
▲	14	71991	Tube, Pin [Ku]	11
▲	15	71992	Plug, Cup, Sealing [Ku]	1
▲	16	361416	Pin, Spring, Start [Ku]	1
▲	17	71993	Plug, Eng [Ku]	1
▲	18	70887	Bushing, Gear, Gov [Ku]	1
▲	19	39062	Fitting, Plug [Ku]	1
▲	20	393570	Gasket	1
	21	70888	Fitting, Draincock [Ku]	1

Fig. 2 - Oil Pan Group

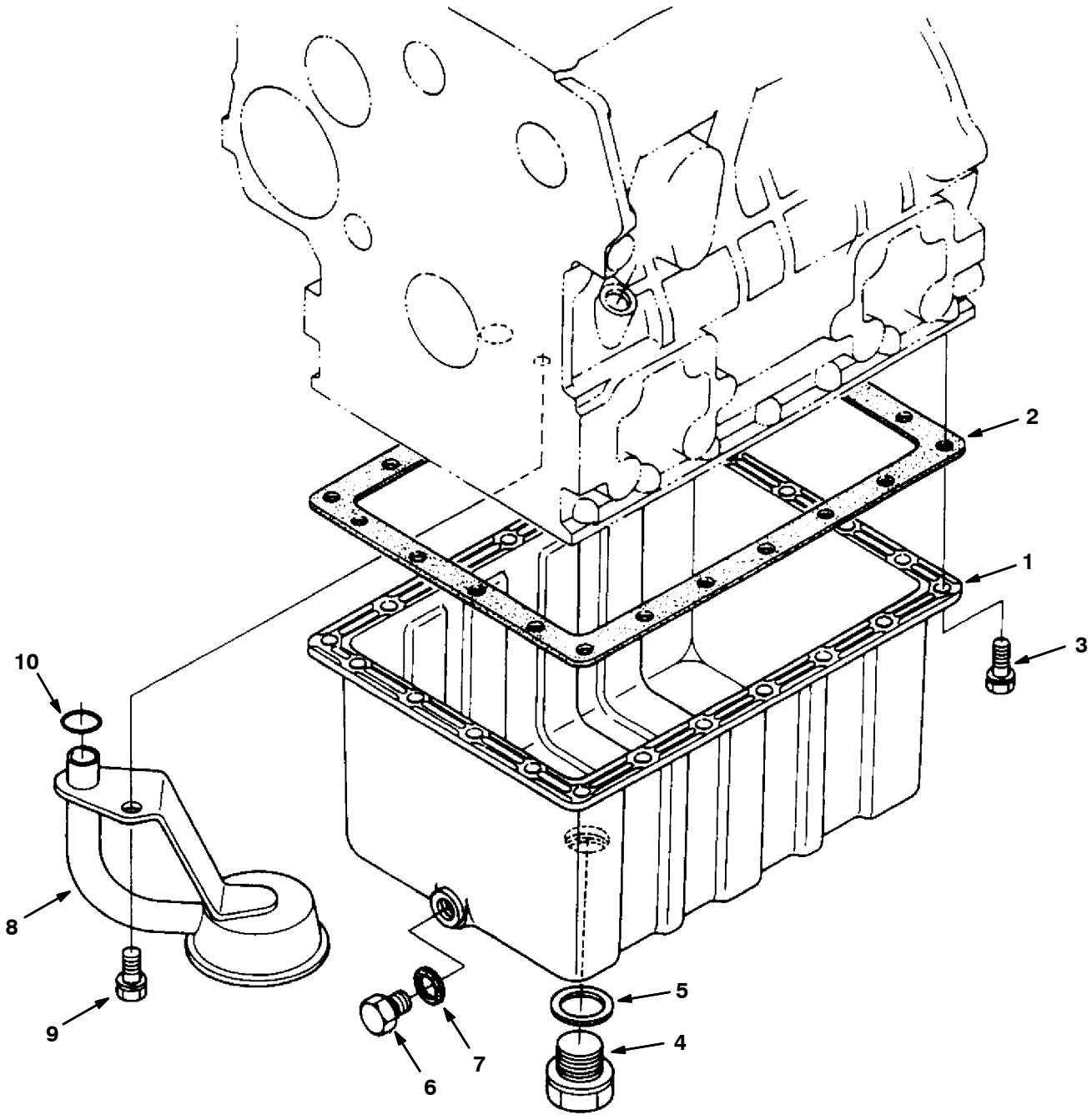


Fig. 2 - Oil Pan Group

Ref.	Part No.	Description	Qty.
1	361433	Pan, Oil, Complt [Ku]	1
2	361422	Gasket, Pan, Oil [Ku]	1
3	9004997	Screw, Hex [Ku]	22
▽	9004996	Pan, Oil, Complt [Ku]	1
▲	4 361431	Plug, Drain, Oil [Ku]	1
▲	5 9004999	Gasket, Plug, Drain [Ku]	1
▲	6 9005000	Plug, Drain, Oil [Ku]	1
▲	7 9005001	Gasket, Plug, Drain [Ku]	1
8	9005002	Tube, Pickup, Oil [Sump, Ku]	1
9	39094	Screw, Hex [Ku]	1
10	9004339	Seal, Org	1

Fig. 3 - Cylinder Head Group

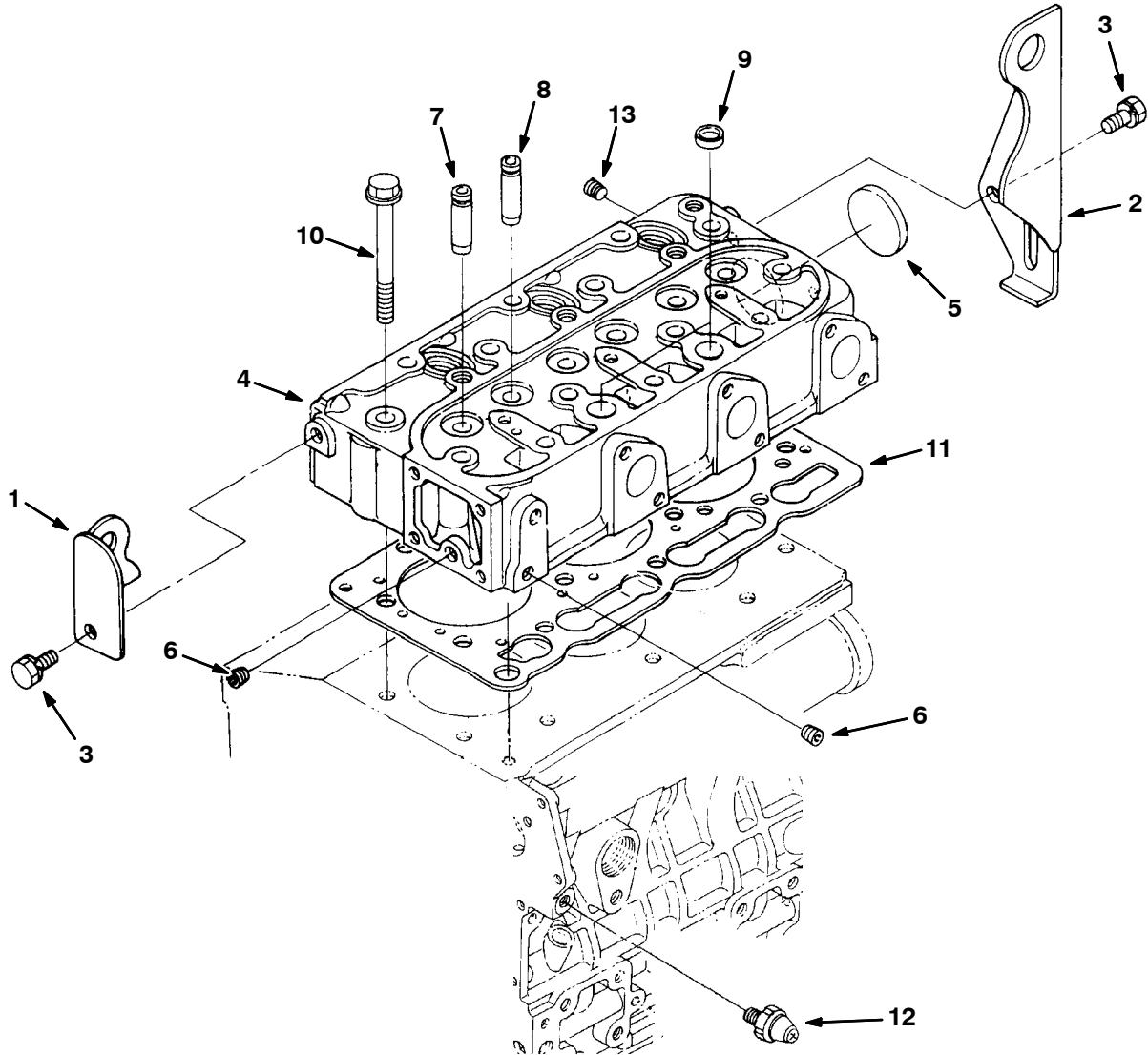


Fig. 3 - Cylinder Head Group

Ref.	Part No.	Description	Qty.	
1	71996	Ear, Lifting, Eng [Ku]	1	
2	71997	Ear, Lifting, Eng [Ku]	1	
3	39073	Screw, Hex [Ku]	2	
▽	4	372915	Head, Cyl, W/O Valve [Ku]	1
▲	5	51331	Plug, Cup, Sealing [Ku]	1
▲	6	39088	Fitting, Pipe, Plug [Ku]	2
▲	7	372906	Guide, Valve, Inlet	3
▲	8	372907	Guide, Valve, Exhaust	3
▲	9	361372	Plug, Cup, Sealing [Ku]	2
10	70897	Screw, Hex, Head, Cyl [Ku]	14	
11	372916	Gasket, Head, Cyl	1	
12	87940	Switch, Press, Oil [Ku]	1	
13	72010	Fitting, Pipe, Plug [Ku]	1	

Fig. 4 - Gear Case Group

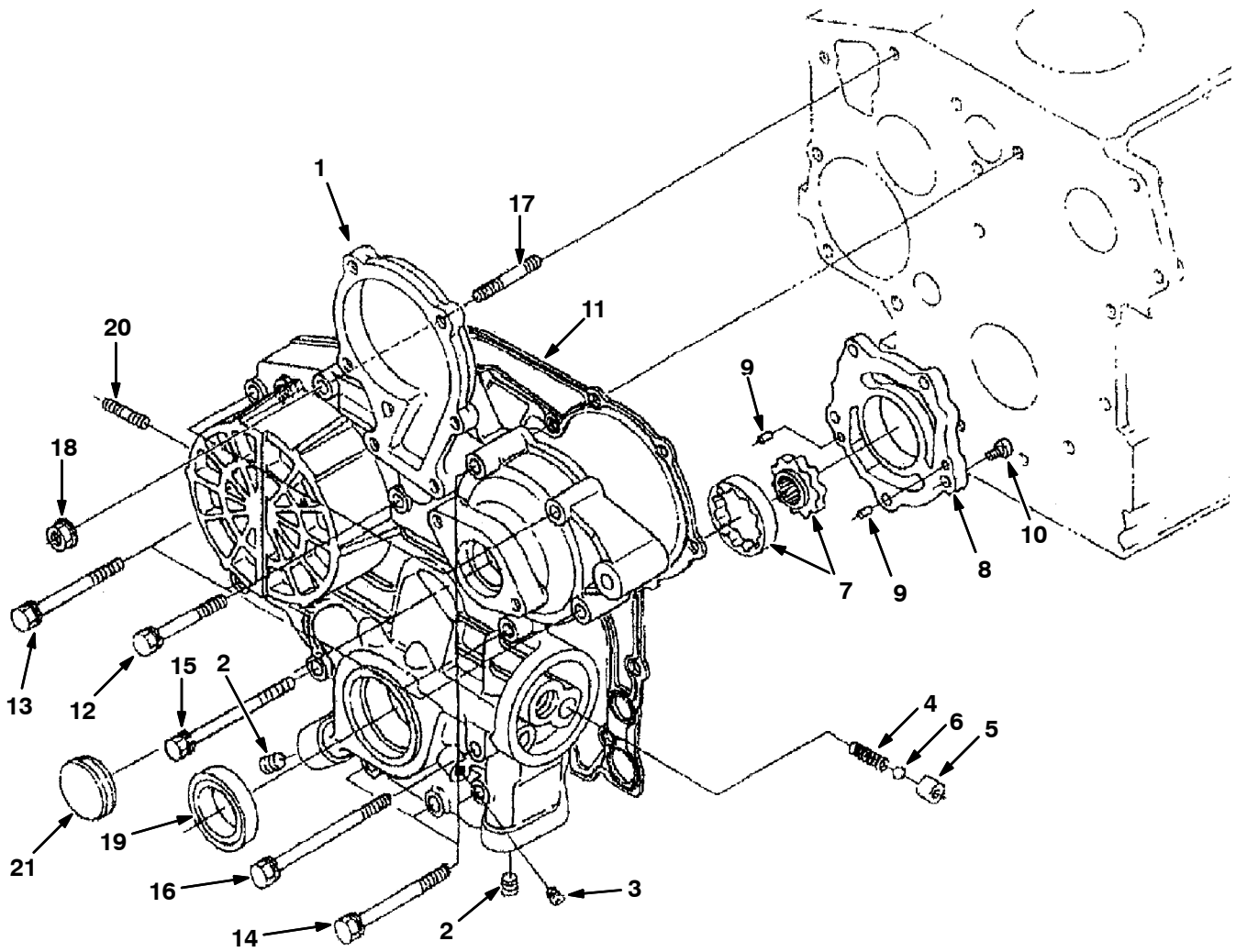




Fig. 4 - Gear Case Group

	Ref.	Part No.	Description	Qty.
▽	1	9004342	Gear, Case [Ku]	1
▲	2	361401	Fitting, Pipe, Plug [Ku]	2
▲	3	39051	Fitting, Pipe, Plug [Ku]	1
▲	4	70900	Spring, Cmpr, Relief [Ku]	1
▲	5	70901	Tube, Seat, Valve, Oil [Ku]	1
▲	6	70902	Ball, Relief, Oil [Ku]	1
▲	7	70903	Pump, Oil, Eng [Ku]	1
▲	8	9004343	Pump, Oil, Cover [Ku]	1
▲	9	9004344	Pin, Straight [Ku]	2
▲	10	9004345	Screw [Ku]	5
	11	70912	Gasket, Case, Gear [Ku]	1
	12	9005004	Screw, Hex [Ku]	3
	13	72994	Screw, Hex [Ku]	4
	14	70995	Thermostat, 160deg, 1.5d [Ku]	4
	15	9005005	Screw, Hex [Ku]	1
	16	72015	Screw, Hex [Ku]	1
	17	9004346	Stud [Ku]	1
	18	9005006	Nut, Hex [Ku]	1
	19	361389	Seal, Oil, Front [Ku]	1
	20	9004347	Stud [Ku]	2
	21	72019	Cover	1

Fig. 5 - Head Cover Group

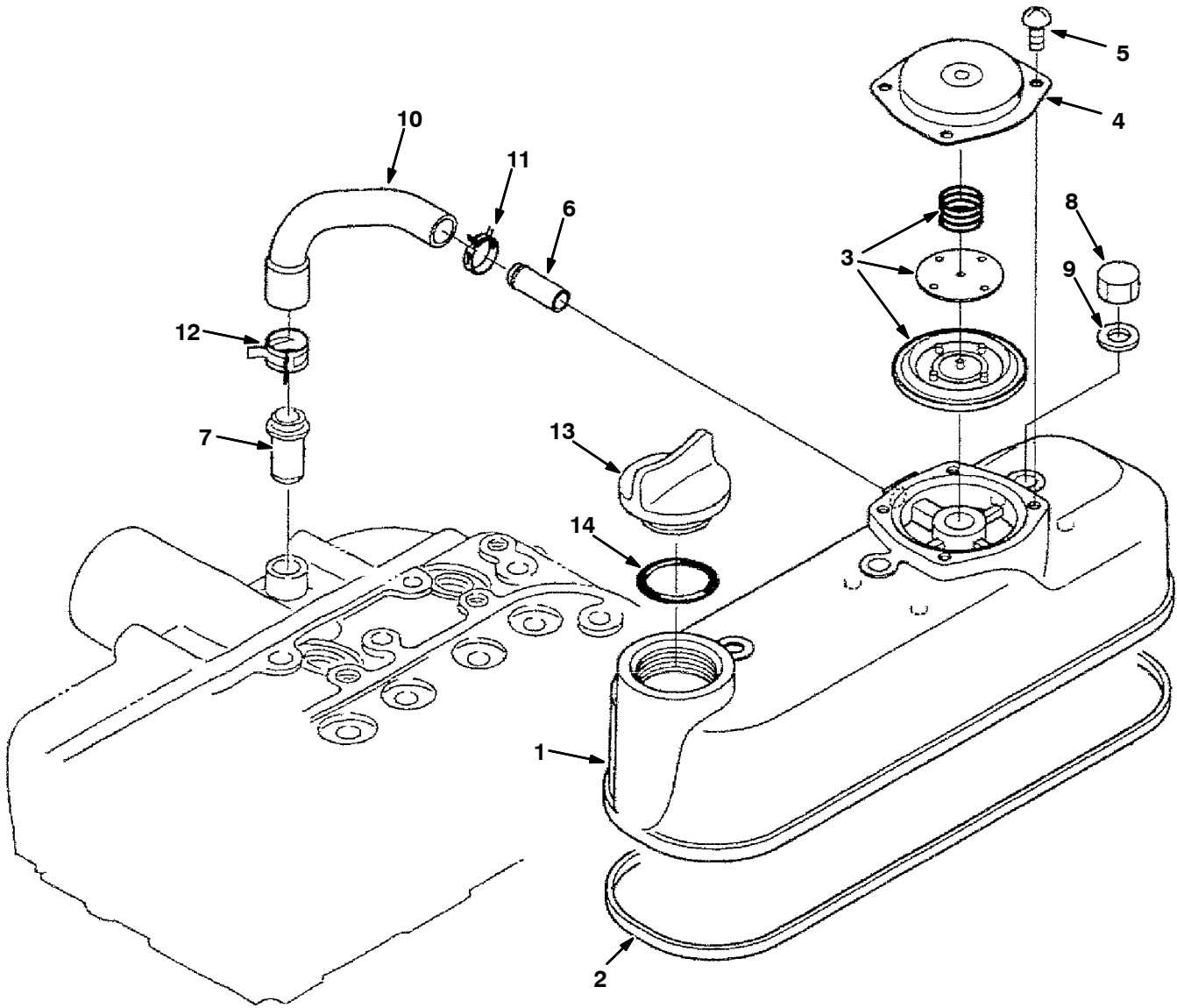
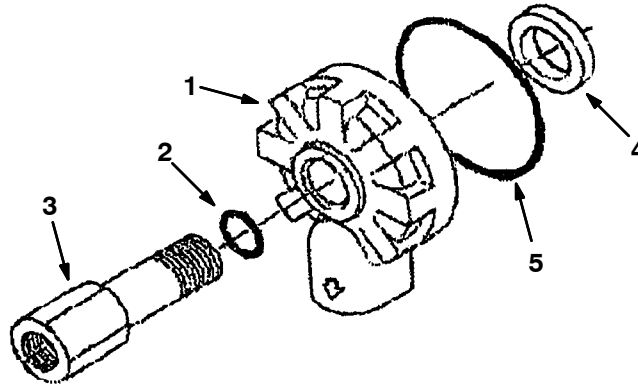


Fig. 5 - Head Cover Group

	Ref.	Part No.	Description	Qty.
▽	1	372914	Cover Assy, Head, Cyl	1
▲	2	361411	Gasket, Cover, Valve [Ku]	1
▲	3	372928	Valve, Breather, Complt	1
▲	4	372927	Cover, Breather	1
▲	5	372900	Screw, Pan	1
▲	6	30125	Pipe, Water	1
	7	73481	Pipe, Breather [Ku]	1
	8	73483	Nut, Hex, Cap	2
	9	73484	Gasket, F/ Bolt [Ku]	3
	10	372913	Tube, Breather	3
	11	372901	Clamp, Hose	1
	12	372904	Clamp, Hose	1
	13	361374	Cap, Filler, Oil [Ku]	1
	14	70913	Seal, Org	1

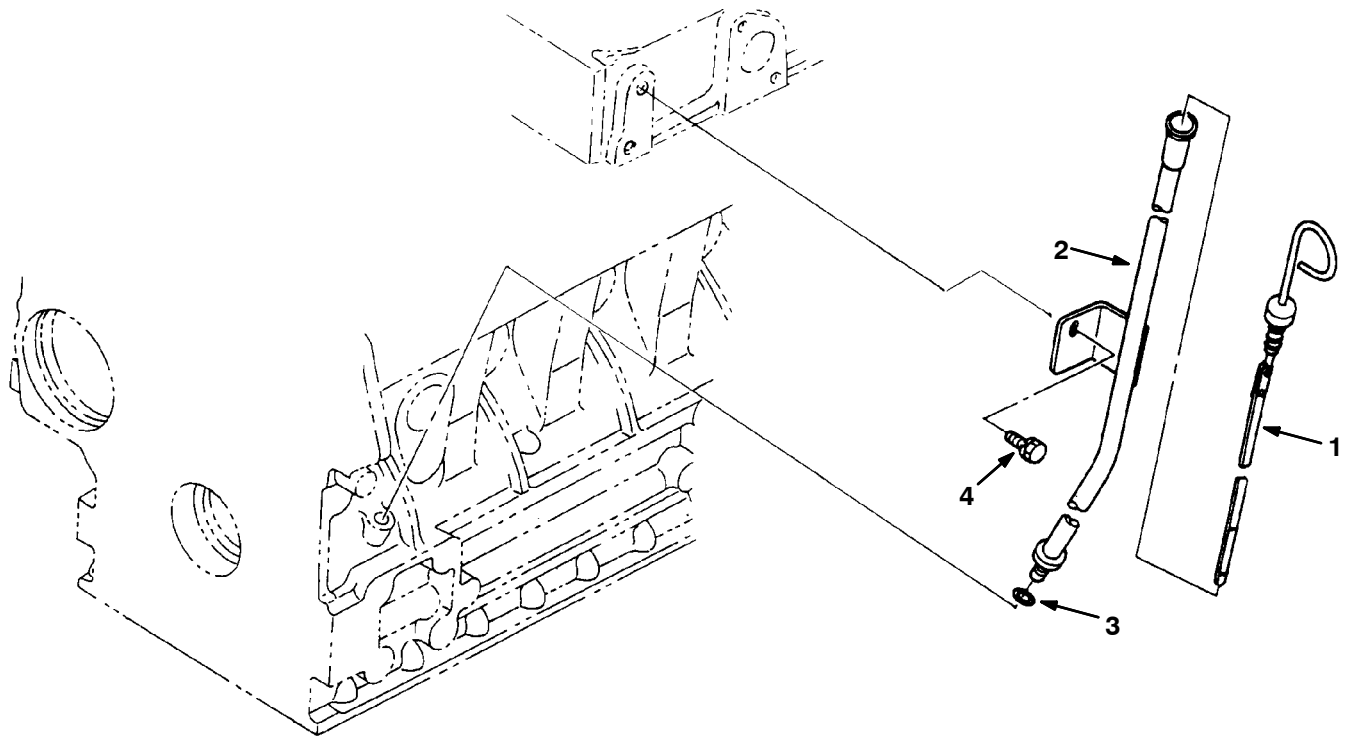
**Fig. 6 - Remote Oil Filter Group**



351389 - 4300D

	<b>Ref.</b>	<b>Part No.</b>	<b>Description</b>	<b>Qty.</b>
▽	1	368056	Base, Fltr, Oil [Ku]	1
▲	2	70911	Seal, Org	1
	3	368059	Pipe, Fltr, Oil [Ku]	1
	4	9005076	Collar [Ku]	1
	5	70907	Seal, Org [Ku]	1

Fig. 7 - Dipstick and Guide Group



350187 - 4300D

	Ref.	Part No.	Description	Qty.
▽	1	70893	Dipstick [Ku]	1
▲	2	361428	Dipstick, Oil [Ku]	1
▲	3	361366	Seal, Org [Ku]	1
	4	393614	Bolt	1

Fig. 8 - Main Bearing Case Group

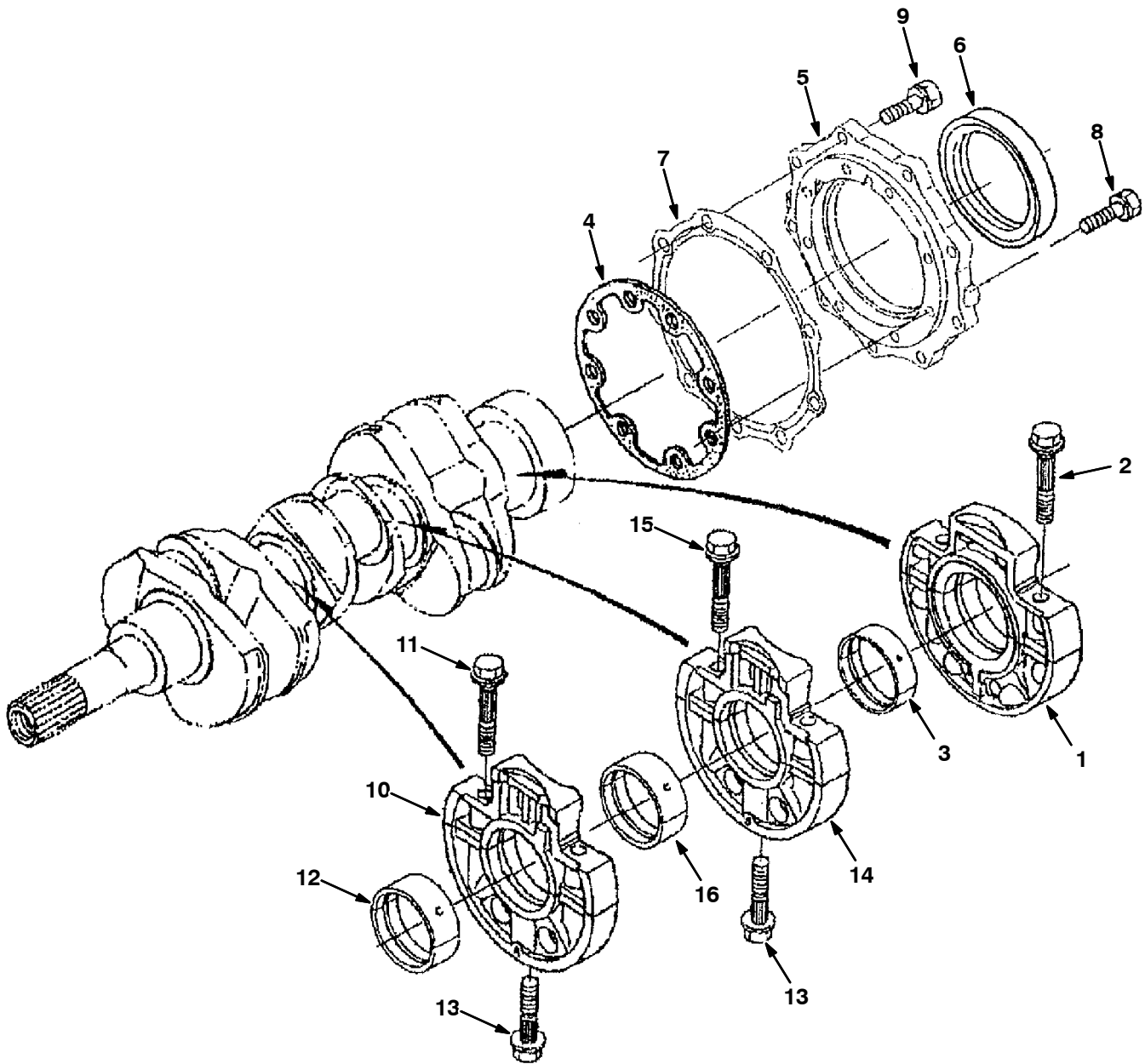


Fig. 8 - Main Bearing Case Group

	Ref.	Part No.	Description	Qty.
▽	1	9004349	Bearing, Case [Ku]	1
▲	2	72998	Screw, Hex, Case, Brg, Main [Ku]	2
▲	3	9004436	Crankshaft, Metal [Ku]	1
▲	3	9005008	Bearing, Cshft, -.2mm [Ku]	1
▲	3	9005009	Bearing, Cshft, -.4mm [Ku]	1
	4	9004350	Gasket, Bearing, Case [Ku]	1
	5	70923	Cover, Brg Case, Eng [Ku]	1
	6	9004351	Seal, Oil [Ku]	1
	7	70925	Gasket, Case, Gear [Ku]	1
	8	72999	Screw, Hex [Ku]	8
	9	371017	Bolt	9
▽	10	9004437	Case, Main, Brg Assy	1
▲	11	72998	Screw, Hex, Case, Brg, Main [Ku]	2
▲	12	70948	Bearing, Cshft, Std [Ku]	1
▲	12	70949	Bearing, Cshft, -.2mm [Ku]	1
▲	12	70950	Bearing, Cshft [Ku]	1
	13	73479	Screw, Hex, Case, Brg, Main [Ku]	2
▽	14	9004438	Case, Main, Brg Assy	1
▲	15	72998	Screw, Hex, Case, Brg, Main [Ku]	2
▲	16	70948	Bearing, Cshft, Std [Ku]	1
▲	16	70949	Bearing, Cshft, -.2mm [Ku]	1
▲	16	70950	Bearing, Cshft [Ku]	1

Fig. 9 - Camshaft Group

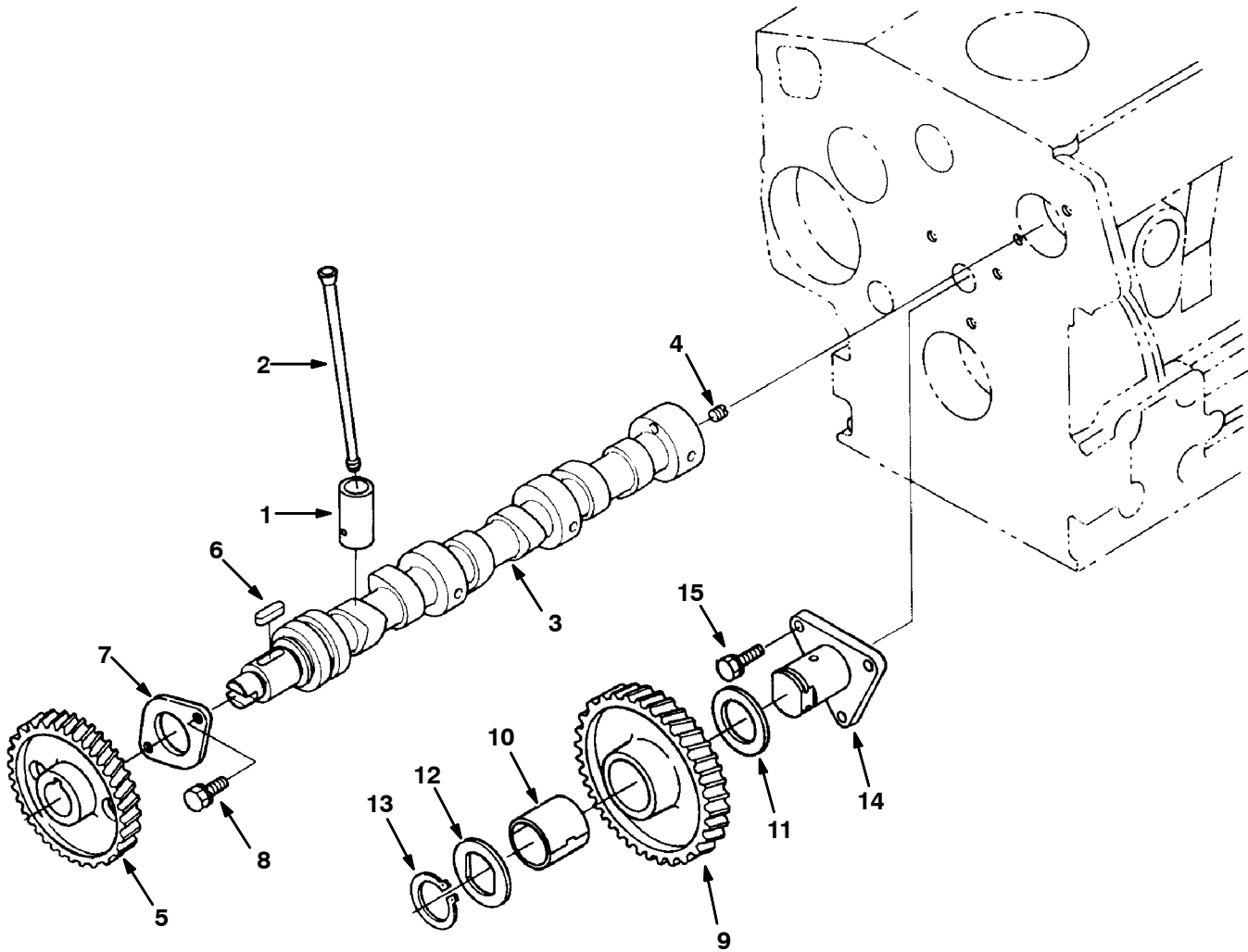




Fig. 9 - Valve and Rocker Arm Group

Ref.	Part No.	Description	Qty.	
	1	9004358	Tappet [Ku]	6
	2	73509	Rod, Push, Valve [Ku]	6
▽	3	9005010	Camshaft Assy [Ku]	1
▲	4	39197	Screw, Set [Ku]	1
▲	5	73511	Gear, Camshaft [Ku]	1
▲	6	73512	Key [Ku]	1
▲	7	73513	Stopper, Cam [Ku]	1
▲	8	41973	Bolt, Hex [Ku]	2
▽	9	73514	Gear, Idler, Cam [Ku]	1
▲	10	73515	Bushing, Gear, Idler [Ku]	1
	11	73516	Collar, Gear [Ku]	1
	12	70945	Bearing, Cshft, Std [Ku]	1
	13	73518	Ring, Snap [Ku]	1
	14	73519	Shaft, Idler, Gear [Ku]	1
	15	41973	Bolt, Hex [Ku]	3

Fig. 10 - Valve and Rocker Arm Group

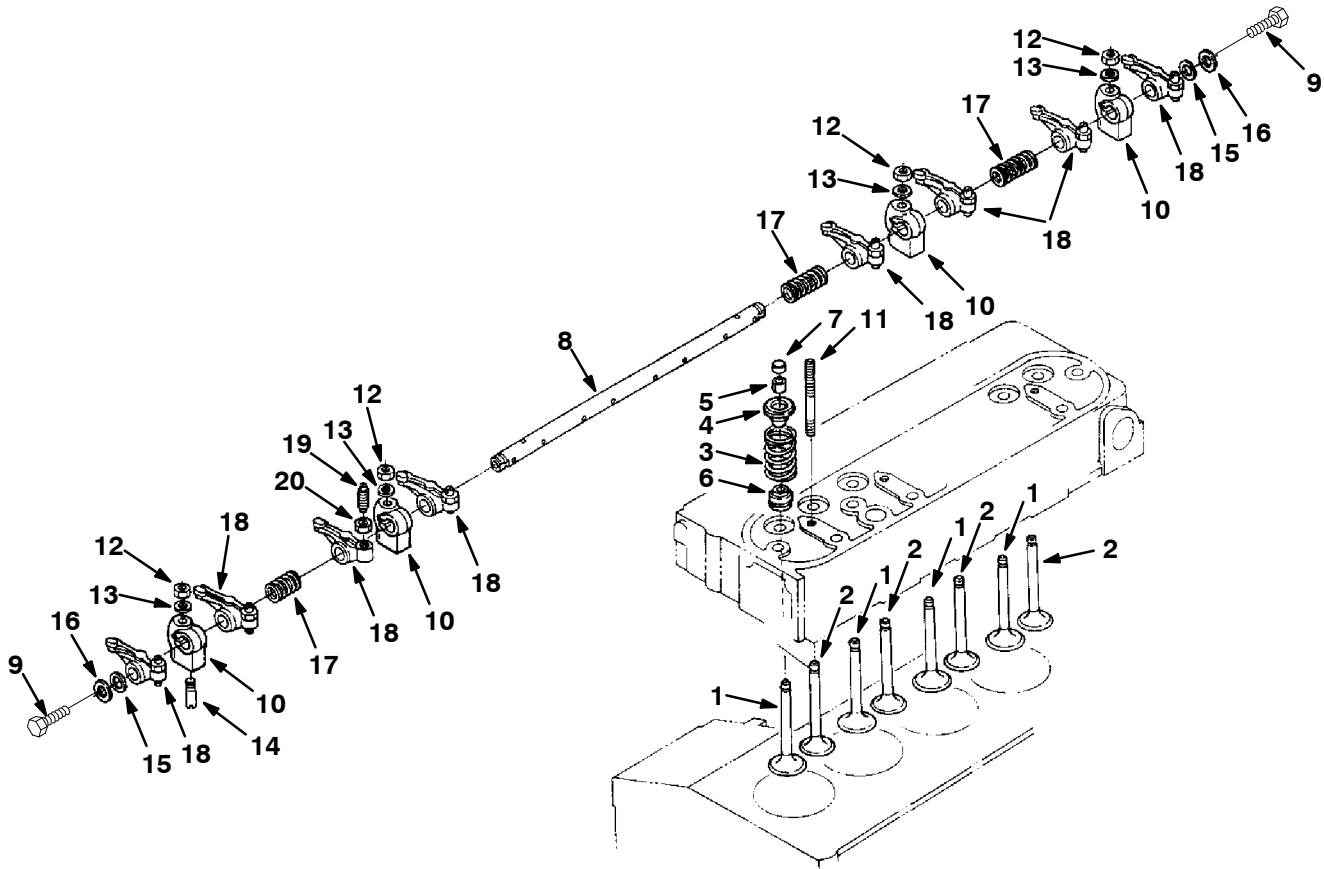


Fig. 10 - Valve and Rocker Arm Group

Ref.	Part No.	Description	Qty.	
1	70936	Valve, Intake [Ku]	4	
2	70937	Valve, Exhaust [Ku]	4	
3	73491	Spring, Valve [Ku]	8	
4	9005044	Spring, Cmpr, Rocker [Ku]	8	
5	73493	Retainer, Spring [Ku]	8	
6	9005045	Seal, Valve, Stem [Ku]	8	
7	361392	Cap, Valve [Ku]	8	
8	9005046	Shaft, Arm, Rocker [Ku]	1	
9	71995	Screw, Hex [Ku]	2	
10	73497	Bracket, Mtg, Rocker Arm [Ku]	4	
11	73498	Stud [Ku]	4	
12	73499	Nut, Hex [Ku]	4	
13	73500	Washer, Flat [Ku]	4	
14	9004410	Pin, Spring [Ku]	1	
15	73502	Washer, Shaft, Rocker [Ku]	2	
16	361589	Washer, Flat [Ku]	2	
17	73504	Spring, Cmpr, Rocker [Ku]	3	
▽	18	73506	Arm, Rocker [Ku]	8
▲	19	73507	Screw, Adj, Rocker Arm [Ku]	8
▲	20	73508	Nut, Hex [Ku]	8

Fig. 11 - Piston and Crankshaft Group

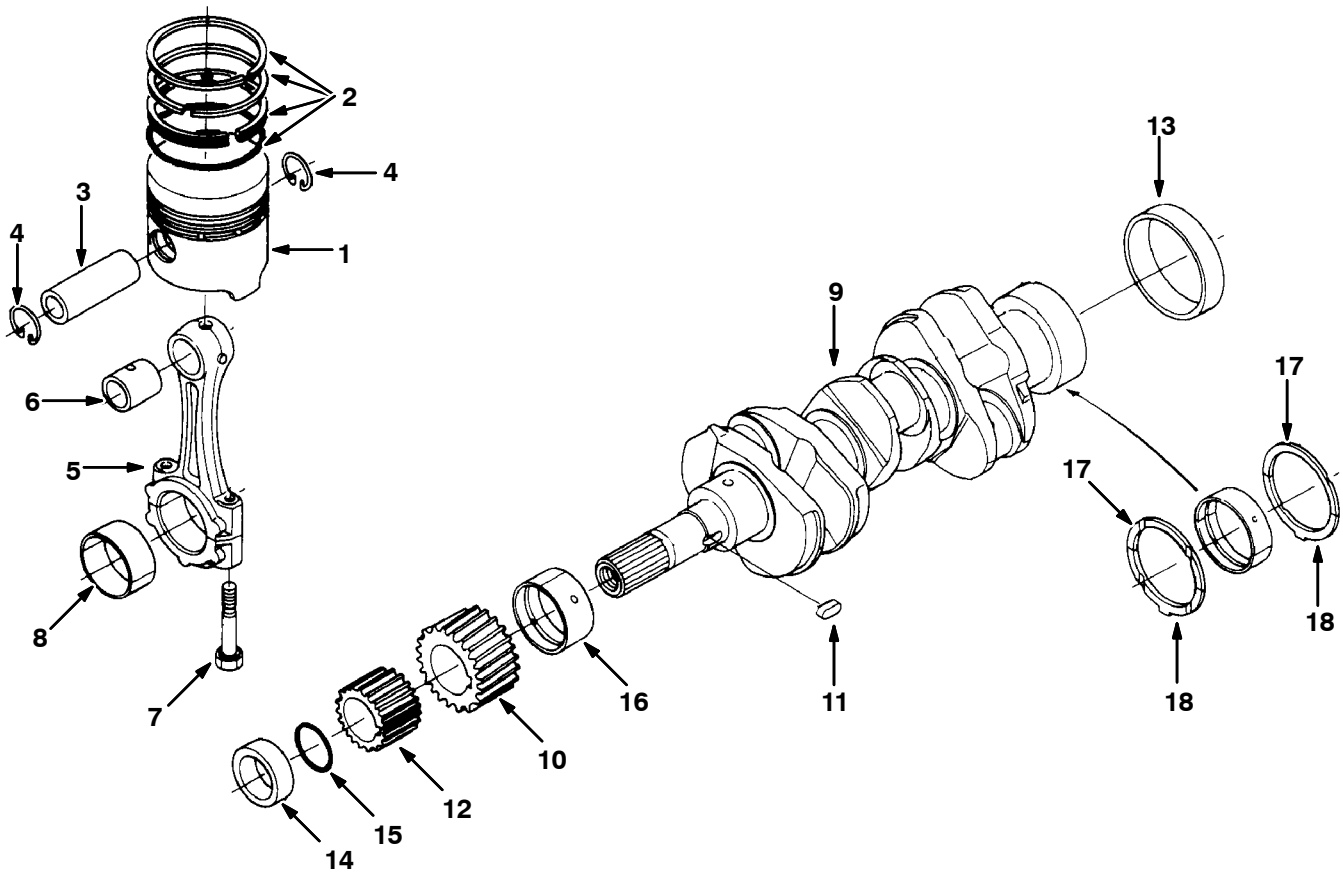
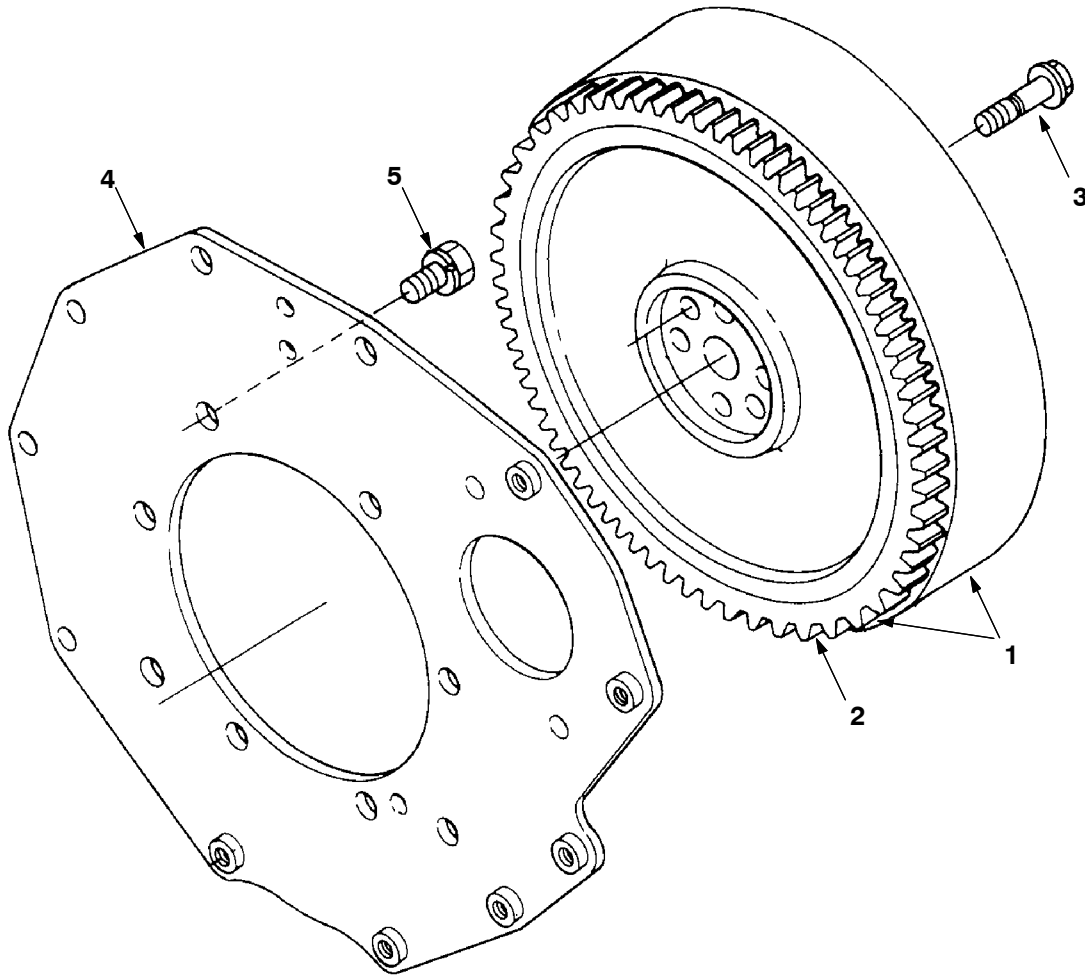


Fig. 11 - Piston and Crankshaft Group

Ref.	Part No.	Description	Qty.	
	1	9005011	Piston, Std [Ku]	3
	1	9005012	Piston [+ .5mm, Ku]	3
	2	9004361	Ring, Piston Assy [Ku]	3
	2	9004441	Piston, Ring Assy [Ku]	3
	3	73522	Pin, Piston [Ku]	3
	4	73523	Ring, Snap, Piston [Ku]	6
▽	5	9005015	Rod Assy, Connecting [Ku]	3
▲	6	9005016	Bushing, Pin, Piston [Ku]	3
▲	7	73525	Screw, Rod, Connecting [Ku]	6
▲	8	66204	Bearing, Rod, Connecting [- .2mm, Ku]	6
▲	8	66207	Bearing, Rod, Connecting [- .4mm, Ku]	6
▲	8	70941	Bearing, Rod, Connecting, Std [Ku]	6
▽	9	368060	Crankshaft [Ku]	1
▲	10	73528	Gear, Cshft [Ku]	1
▲	11	73529	Key [Ku]	1
▲	12	73530	Gear, Pump, Oil [Ku]	1
▲	13	70942	Bearing, Cshft [Ku]	1
	14	70943	Collar, Crank, Front [Ku]	1
	15	9004363	Ring [Ku]	1
	16	70945	Bearing, Cshft, Std [Ku]	1
	16	70946	Bearing, Cshft, - .2mm [Ku]	1
	16	70947	Bearing, Cshft [Ku]	1
	17	9005017	Bearing, Thrust, Std [Ku]	2
	17	70954	Bearing, Thrust [Ku]	2
	17	70955	Bearing, Thrust [- .4mm, Ku]	2
	18	30121	Bearing, Thrust [+ .2mm, Ku]	2
	18	30122	Bearing, Thrust [+ .4mm, Ku]	2
	18	9005018	Bearing, Thrust, Std [Ku]	2

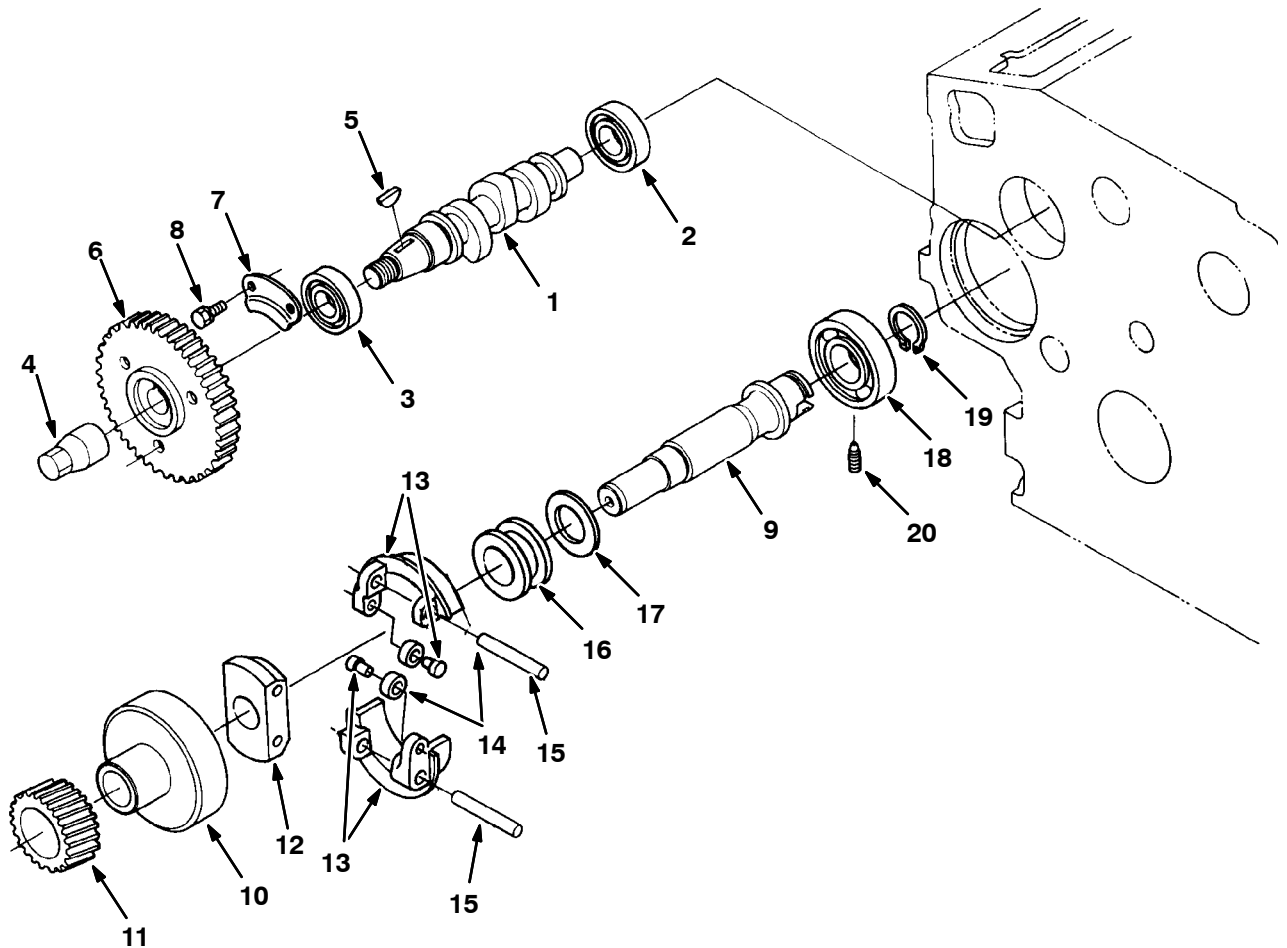
Fig. 12 - Flywheel Group



350197 - D

Ref.	Part No.	Description	Qty.	
▽	1	361435	Flywheel, Complt [Ku]	1
▲	2	9004367	Gear, Ring [Ku]	1
	3	73533	Screw, Hex, Flywheel [Ku]	6
	4	361390	Plate, Eng, Rear [Ku]	1
	5	73534	Screw, Hex [Ku]	8

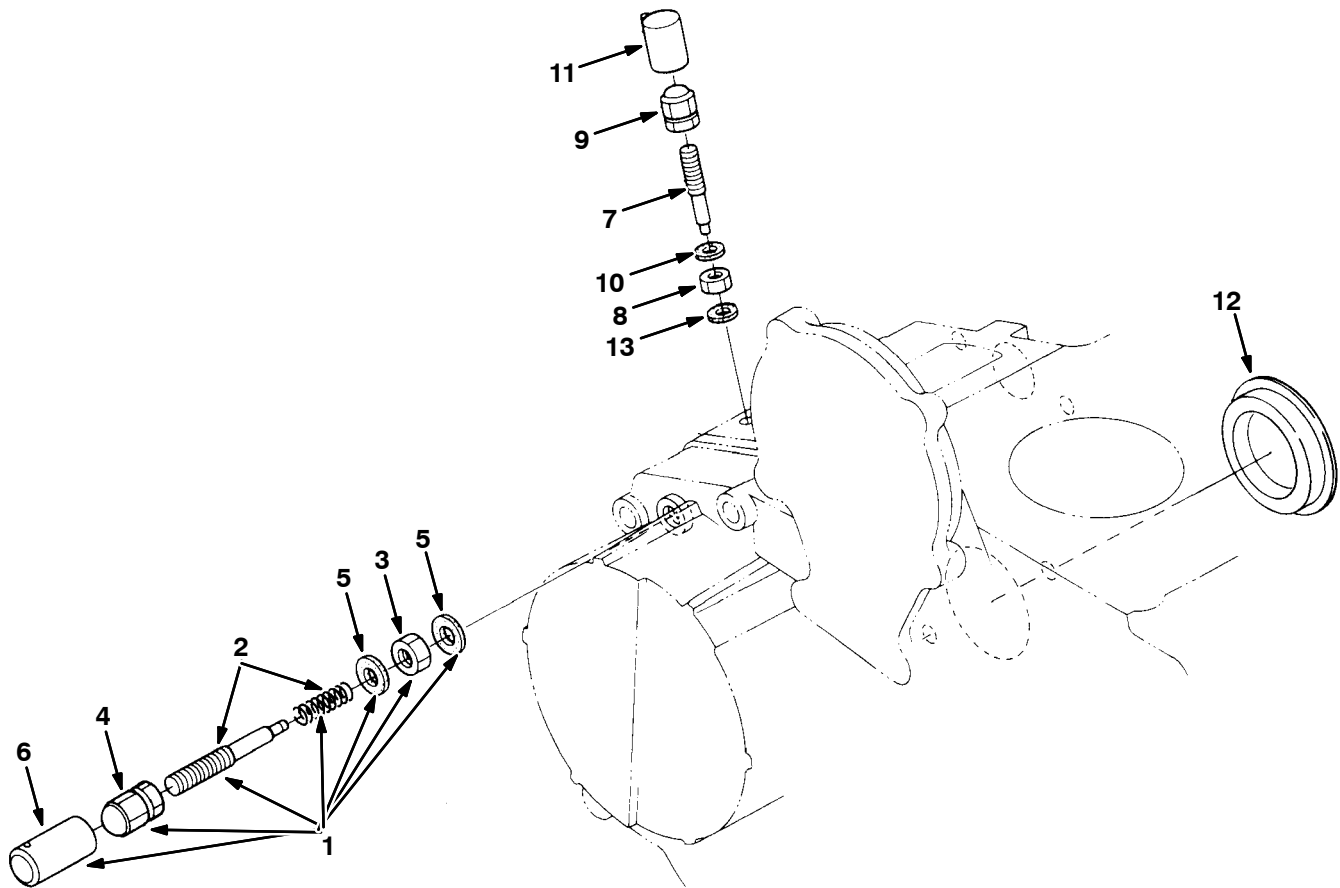
Fig. 13 - Fuel Camshaft Group



350199 - 4300D

Ref.	Part No.	Description	Qty.	
1	361377	Camshaft, Fuel [Ku]	1	
2	9004368	Bearing, Ball [Ku]	1	
3	9004369	Bearing, Ball [Ku]	1	
4	73593	Nut, Cap, Cam [Ku]	1	
5	73594	Key, Woodruff [Ku]	1	
6	73595	Gear, Pump, Fuel [Ku]	1	
7	73596	Stopper, Fuel [Ku]	1	
8	41973	Bolt, Hex [Ku]	2	
▽	9	361421	Shaft Assy, Govnr [Ku]	1
▲	10	73598	Holder, Gear [Ku]	1
▲	11	73599	Gear, Govnr [Ku]	1
▲	12	73600	Holder, Govnr [Ku]	1
▲	13	73601	Weight, Comp, Govnr [Ku]	2
▲	14	9004372	Shaft, Govnr, Weight [Ku]	2
▲	15	73602	Shaft, Govnr [Ku]	2
▲	16	70977	Sleeve, Govnr [Ku]	1
▲	17	70978	Washer, Thrust [Ku]	1
	18	9004373	Bearing, Ball [Ku]	1
	19	73602	Shaft, Govnr [Ku]	1
	20	73604	Screw, Set [Ku]	1

Fig. 14 - Engine Stop Lever Group

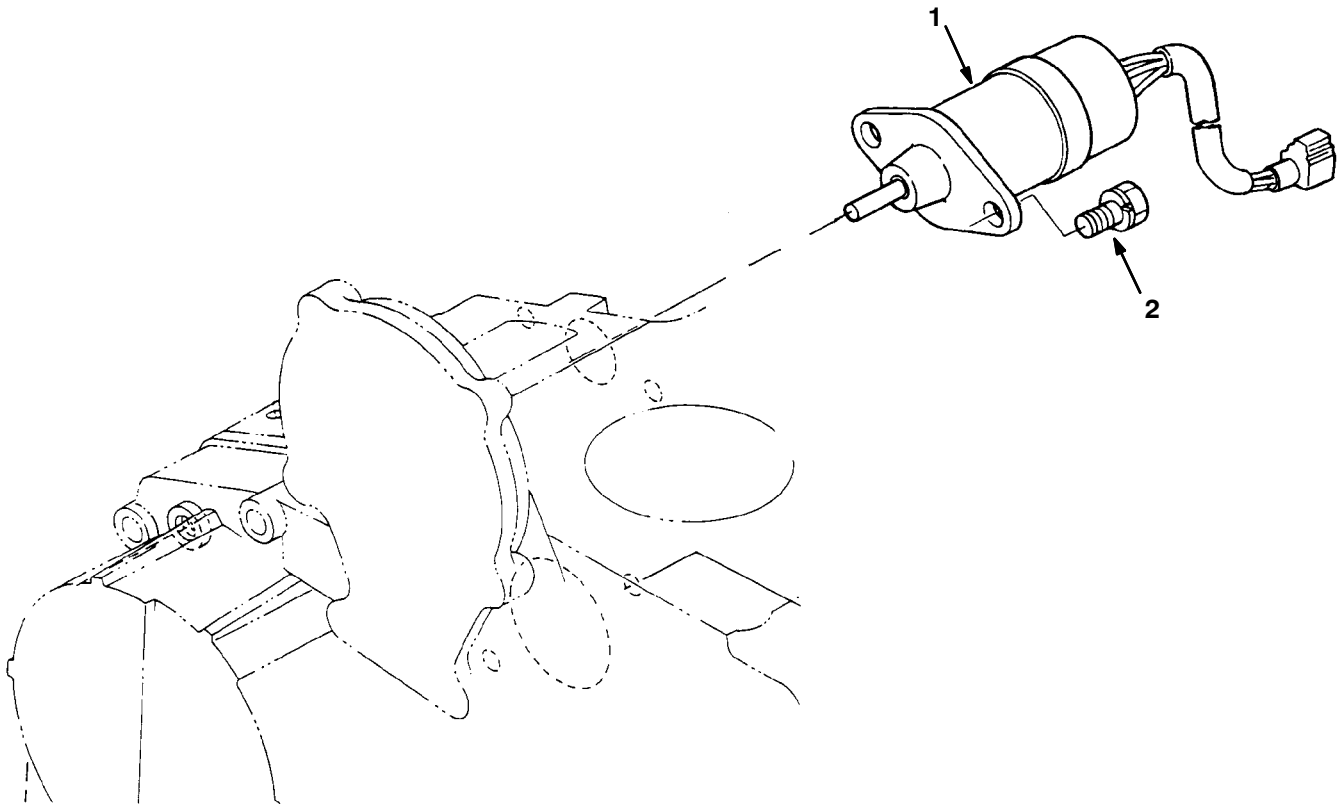


350201 - D

Ref.	Part No.	Description	Qty.
▽	1 70980	Regulator, Idle [Ku]	1
▲	2 73605	Screw Assy, Adj [Ku]	1
▲	3 73606	Nut, Hex [Ku]	1
▲	4 361375	Nut, Cap [Ku]	1
▲	5 40166	Gasket, F/ Bolt [Ku]	2
▲	6 361382	Cap, Stop [Ku] Rep.By30136	1
	7 73610	Screw, Adj, Stop [Ku]	1
	8 73606	Nut, Hex [Ku]	1
	9 361375	Nut, Cap [Ku]	1
	10 40166	Gasket, F/ Bolt [Ku]	2
	11 361382	Cap, Stop [Ku] Rep.By30136	1
	12 70188	Cover, Hole, Pump [Ku]	1
	13 9004375	Gasket [Ku]	1



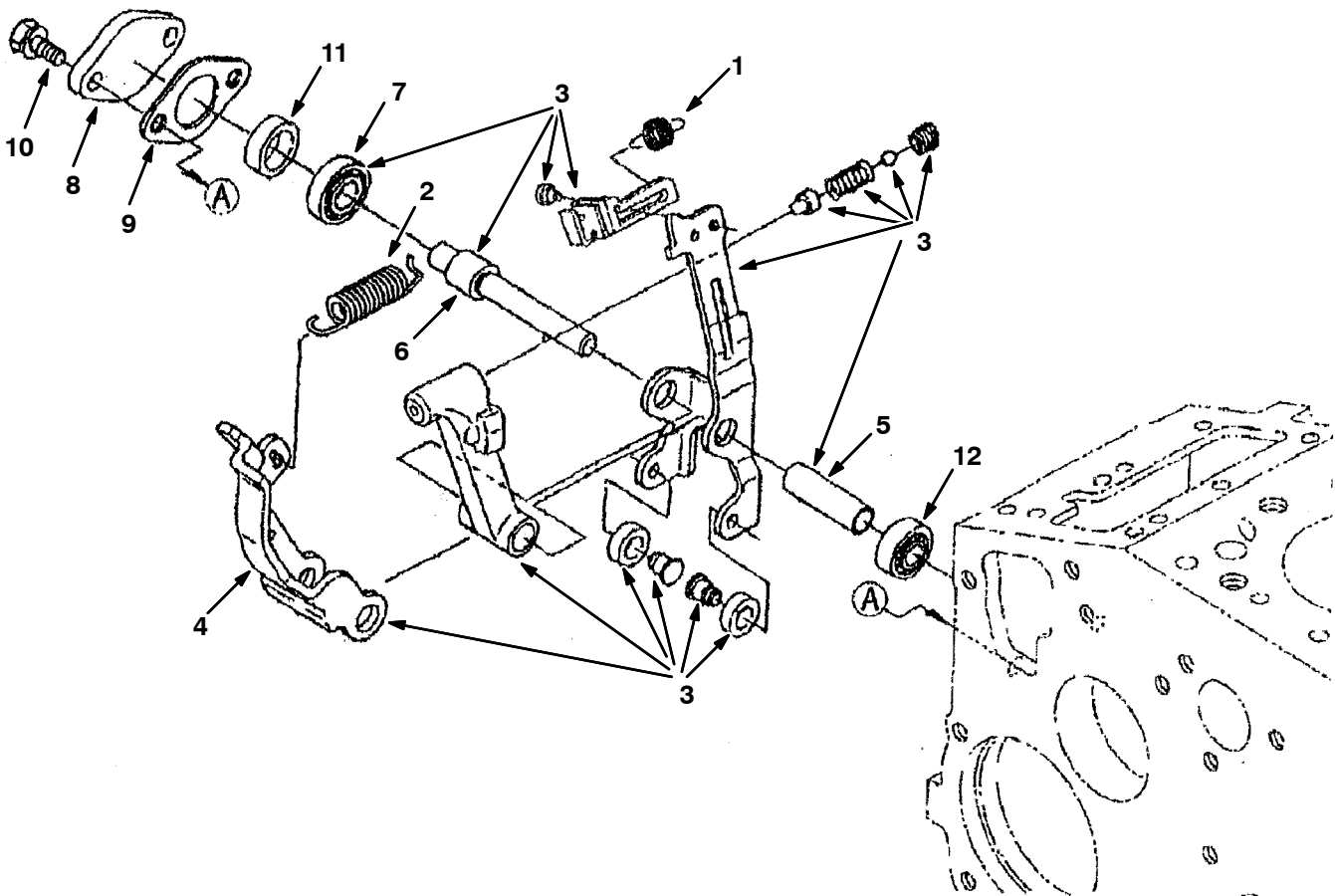
Fig. 15 - Stop Solenoid Group



350203 - 4300D

Ref.	Part No.	Description	Qty.
1	374269	Solenoid, Stop, Eng, Dsl, 12vdc [Ku]	1
2	9005020	Bolt, Hex [Ku]	2

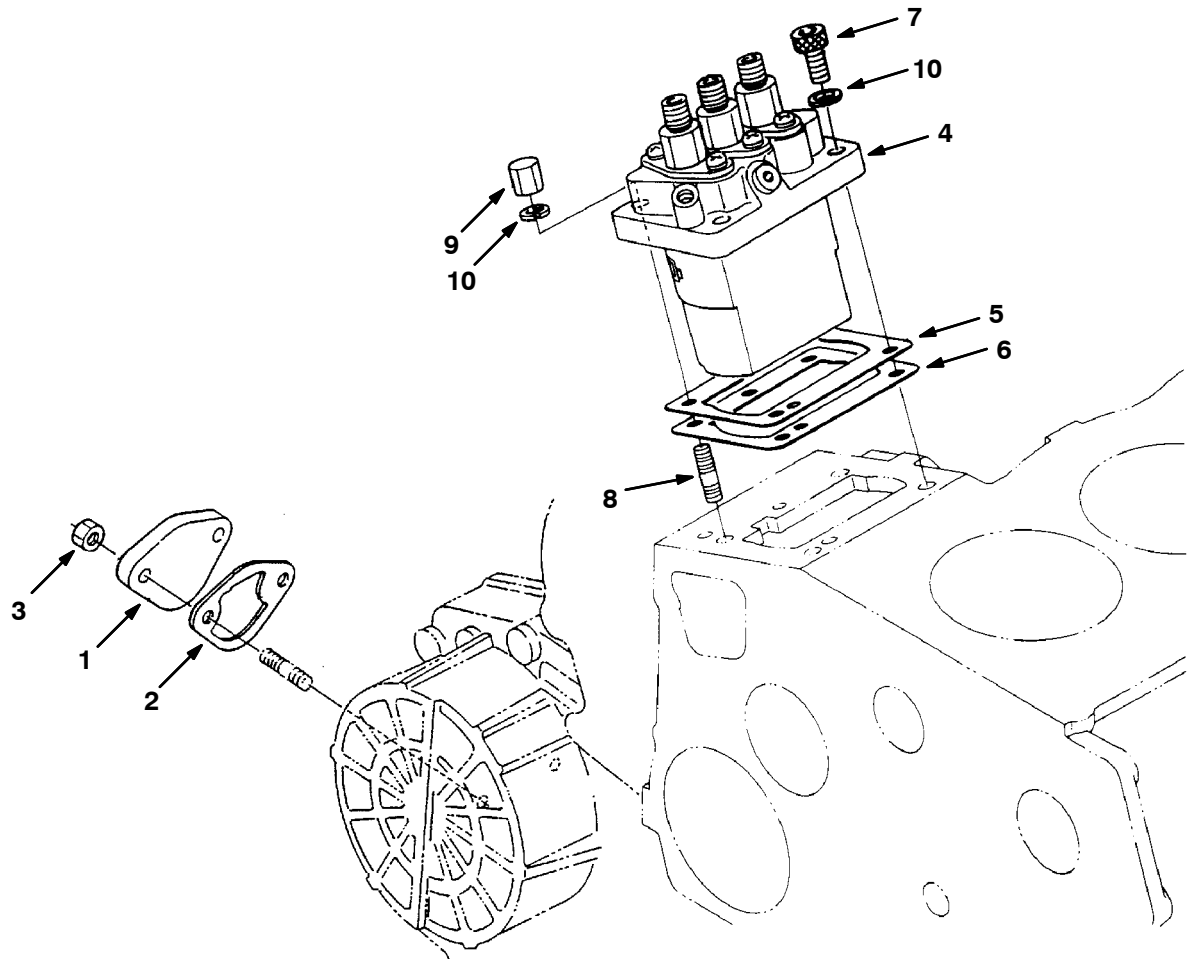
**Fig. 16 - Governor Group**



350207 - 4300D

Ref.	Part No.	Description	Qty.
	1	361417 Spring, Start, Govnr [Ku]	1
	2	70986 Spring, Ext, Govnr [Ku]	1
▽	3	9005077 Lever Assy, Fork [Ku]	1
▲	4	9004381 Lever, Fork [Ku]	1
▲	5	9004382 Lever, Fork, Shaft [Ku]	1
▲	6	9004383 Lever, Fork, Shaft [Ku]	1
▲	7	70989 Bearing, Ball [Ku]	1
▲	8	73631 Cover, Lever, Gov [Ku]	1
▲	9	361430 Gasket, Cover, Gov [Ku]	1
	10	71995 Screw, Hex [Ku]	2
	11	70991 Collar, Govnr [Ku]	1
	12	70992 Bearing, Ball [Ku]	1

Fig. 17 - Injection Pump Group



350205 - 4300D

Ref.	Part No.	Description	Qty.
1	73565	Cover, Hole, Pump, Fuel [Ku]	1
2	375059	Gasket, Pump, Fuel [Ku]	1
3	9005029	Nut, Flange [Ku]	2
4	361378	Pump Assy, Injection, Fuel [Ku]	1
5	368063	Shim, Injection, 0.20mm [Ku]	1
5	368064	Shim, Injection, 0.25mm [Ku]	1
5	9005021	Shim, Injection, 0.175mm [Ku]	1
6	361438	Shim, Pump, Injection, .3 [Ku]	1
6	9005022	Shim, Pump, Injection, .35 [Ku]	1
7	9005023	Bolt, Hex, Soc [Ku]	2
8	73562	Stud [Ku]	2
9	73563	Nut [Ku]	2
10	39065	Washer, Lock, Split [Ku]	2

Fig. 18 - Injection Pump Breakdown

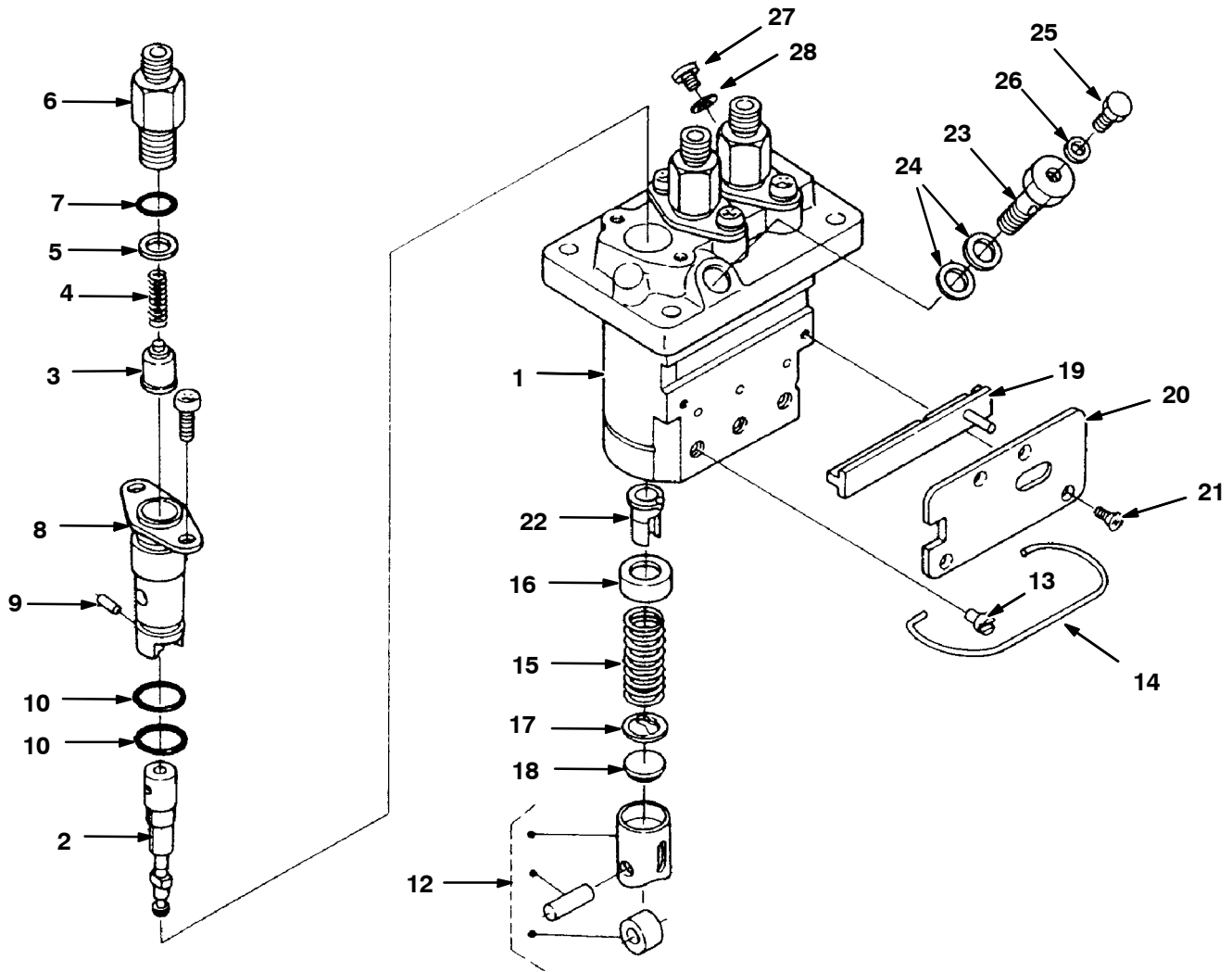
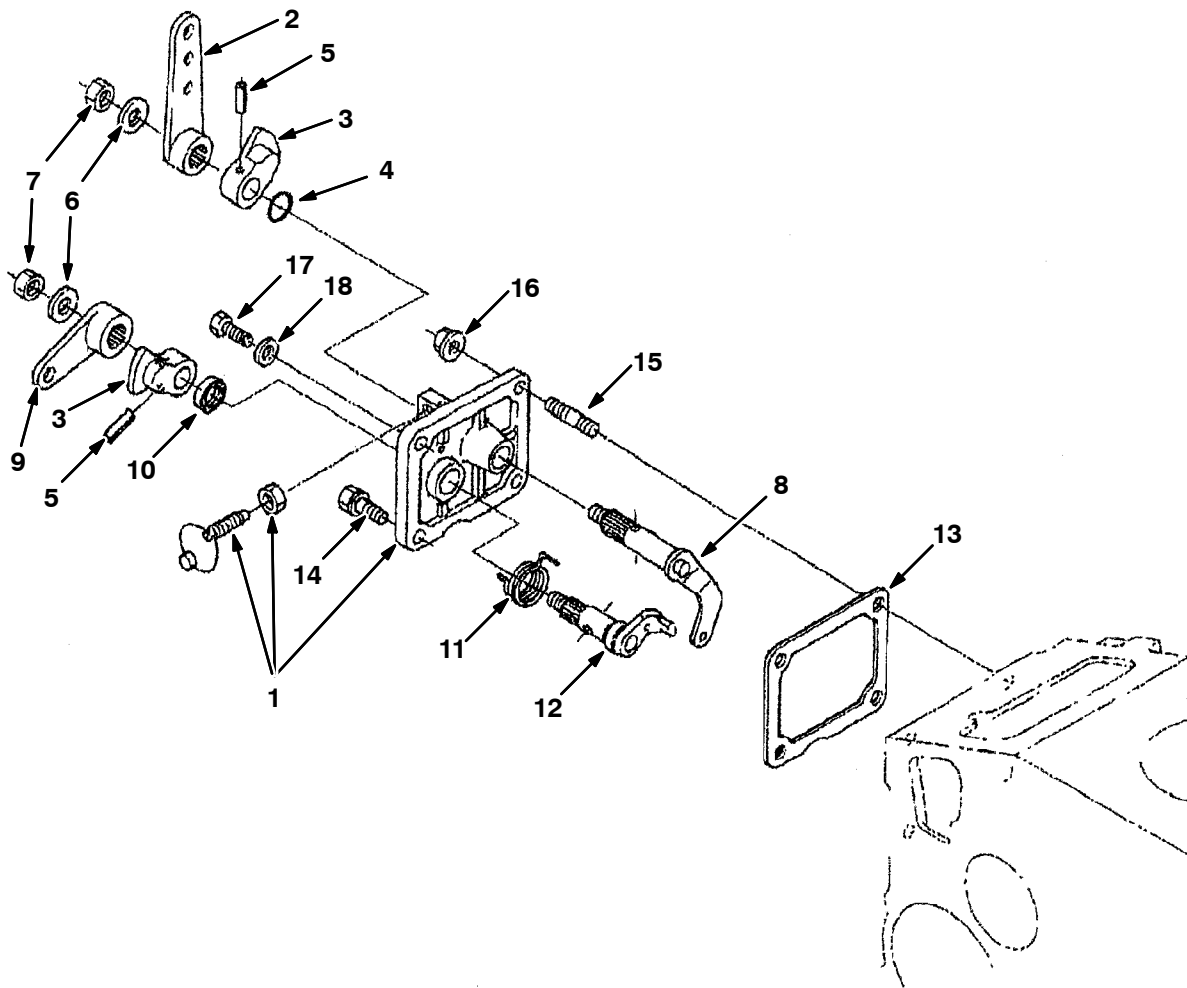


Fig. 18 - Injection Pump Breakdown

	Ref.	Part No.	Description	Qty.
▽	1	361378	Pump Assy, Injection, Fuel [Ku]	1
▲	2	84648	Plunger, Pump, Inj [Ku]	1
▲	3	73567	Valve, Eng [Delivery, Ku]	1
▲	4	73568	Spring, Cmpr, Valve, Injector [Ku]	2
▲	5	73569	Gasket, Valve, Injector [Ku]	1
▲	6	73570	Holder, Valve, Inj [Ku]	1
▲	7	73571	Seal, Org [Ku]	1
▲	8	73572	Flange, Sleeve [Ku]	2
▲	9	73573	Pin, Joint, Inj [Ku]	2
▲	10	73574	Seal, Org [Ku]	2
▲	11	73575	Screw, Hex [Ku]	4
▲	12	73576	Tappet, Pump, Injection [Ku]	1
▲	13	73577	Pin, Tappet [Ku]	1
▲	14	368067	Pin, Clamp [Ku]	1
▲	15	73579	Spring, Cmpr, Plunger [Ku]	2
▲	16	73580	Seat, Spring, Upper, Injector [Ku]	1
▲	17	73581	Seat, Spring, Lower, Injector [Ku]	1
▲	18	73582	Shim, Tappet, Injection [Ku]	1
▲	19	368069	Column, Cntrl, Rack [Ku]	2
▲	20	368066	Plate, Pump, Inj [Ku]	2
▲	21	73585	Screw, Pump, Injection [Ku]	2
▲	22	73586	Sleeve, Cntrl, Pump, Injection [Ku]	4
▲	23	84651	Follower, Screw, Pump, Injection [Ku]	1
▲	24	73588	Gasket, Ftg, Banjo [Ku]	1
▲	25	73589	Screw, Hex [Ku]	1
▲	26	73590	Gasket, F/ Screw [Ku]	2
▲	27	368068	Fitting, Plug, Pump, Injection [Ku]	1
▲	28	368065	Gasket, F/ Screw [Ku]	1

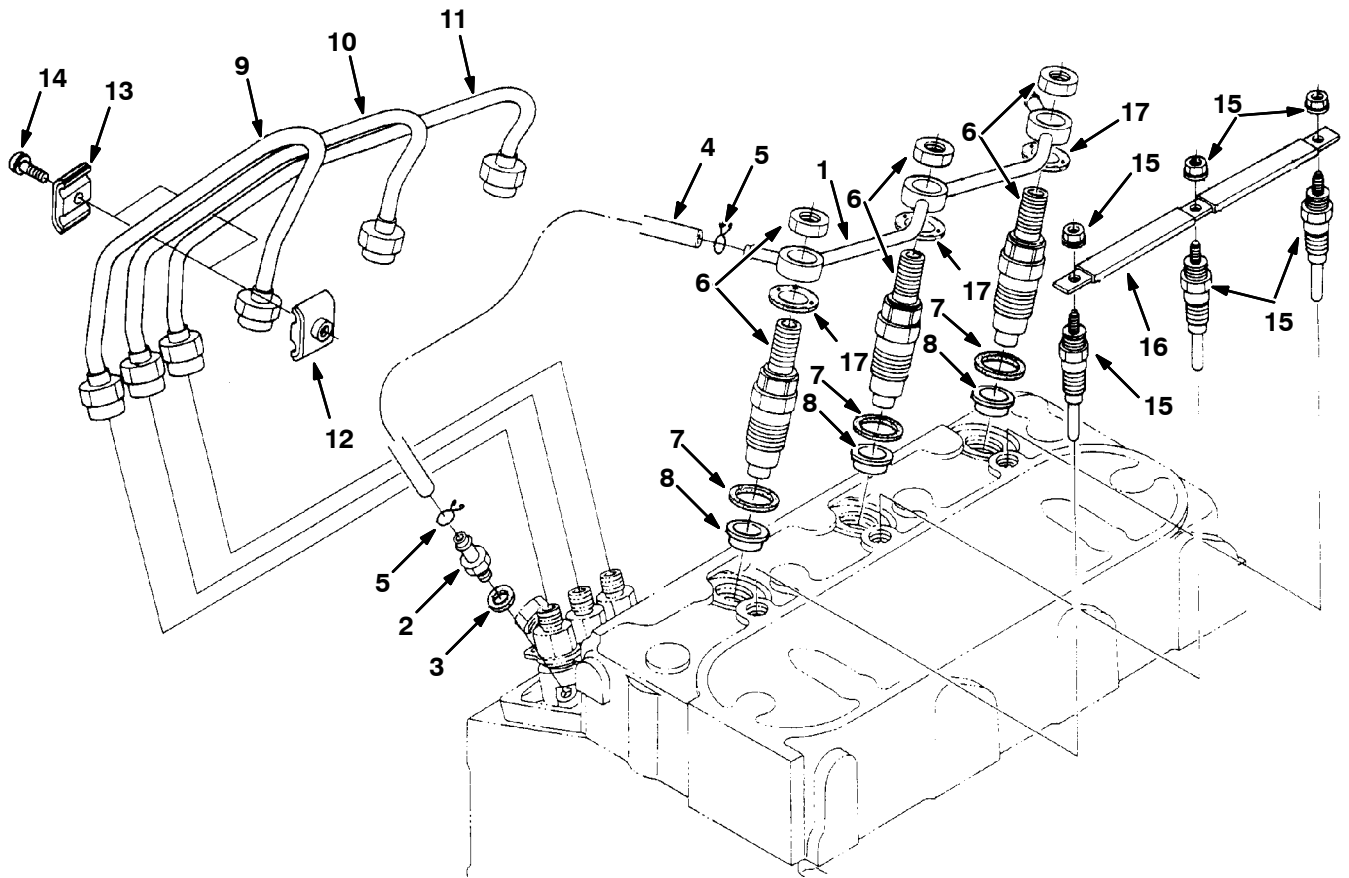
Fig. 19 - Speed Control Plate Group



350209 - D

Ref.	Part No.	Description	Qty.
▽	1 70982	Plate, Cntrl, Spd [Ku]	1
▲	2 73618	Lever, Cntrl, Spd [Ku]	1
▲	3 73619	Lever, Cntrl, Spd [Ku]	2
▲	4 9004385	Seal, Org [Ku]	1
▲	5 9004410	Pin, Spring [Ku]	2
▲	6 73621	Washer, Flat [Ku]	2
▲	7 73622	Nut, Hex [Ku]	2
▲	8 73623	Lever, Plate, Cntrl [Ku]	1
▲	9 73624	Lever, Stop [Ku]	1
▲	10 70983	Seal, Oil [Ku]	1
▲	11 73625	Spring, Tors [Ku]	1
▲	12 73626	Shaft, Lever, Spd [Ku]	1
	13 70984	Gasket, Cover, Spd [Ku]	1
	14 71995	Screw, Hex [Ku]	2
	15 9004347	Stud [Ku]	2
	16 9005025	Nut, Hex , Flange[Ku]	2
	17 9004449	Bolt [Ku]	1
	18 40166	Gasket, F/ Bolt [Ku]	1

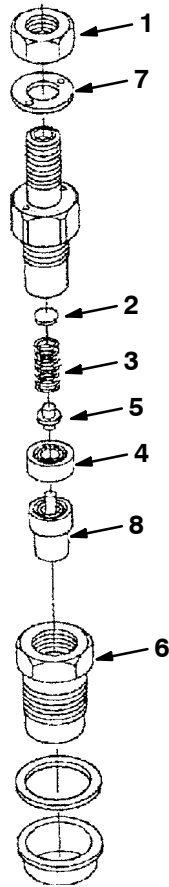
Fig. 20 - Nozzle Holder and Glow Plug Group



350211 - D

Ref.	Part No.	Description	Qty.	
1	361415	Tube, Fuel, Overflow [Ku]	1	
2	73555	Fitting, Fuel [Ku]	1	
3	40166	Gasket, F/ Bolt [Ku]	1	
▽	4	361373	Hose, Fuel [Ku]	1
▲	5	9004390	Pipe, Clip [Ku]	2
▽	6	372917	Housing Assy, Nozzle	3
▲	7	70964	Gasket, Nozzle, Injector [Ku]	3
▲	8	20719	Seal, Heat, Nozzle [Ku]	3
	9	70965	Tube, Injector, Pipe #1 [Ku]	1
	10	70966	Tube, Injector, Pipe #2 [Ku]	1
	11	70967	Tube, Injector, Pipe #32 [Ku]	1
	12	9005026	Clamp, Tube, Inj, Pipe [Ku]	2
	13	9005027	Clamp, Tube, Inj, Pipe [Ku]	2
	14	39508	Screw, Pan [Ku]	2
	15	9005028	Glowplug [Ku]	3
	16	361418	Conductor, Glowplug [Ku]	1
	17	9004393	Nut, Flng [Ku]	3

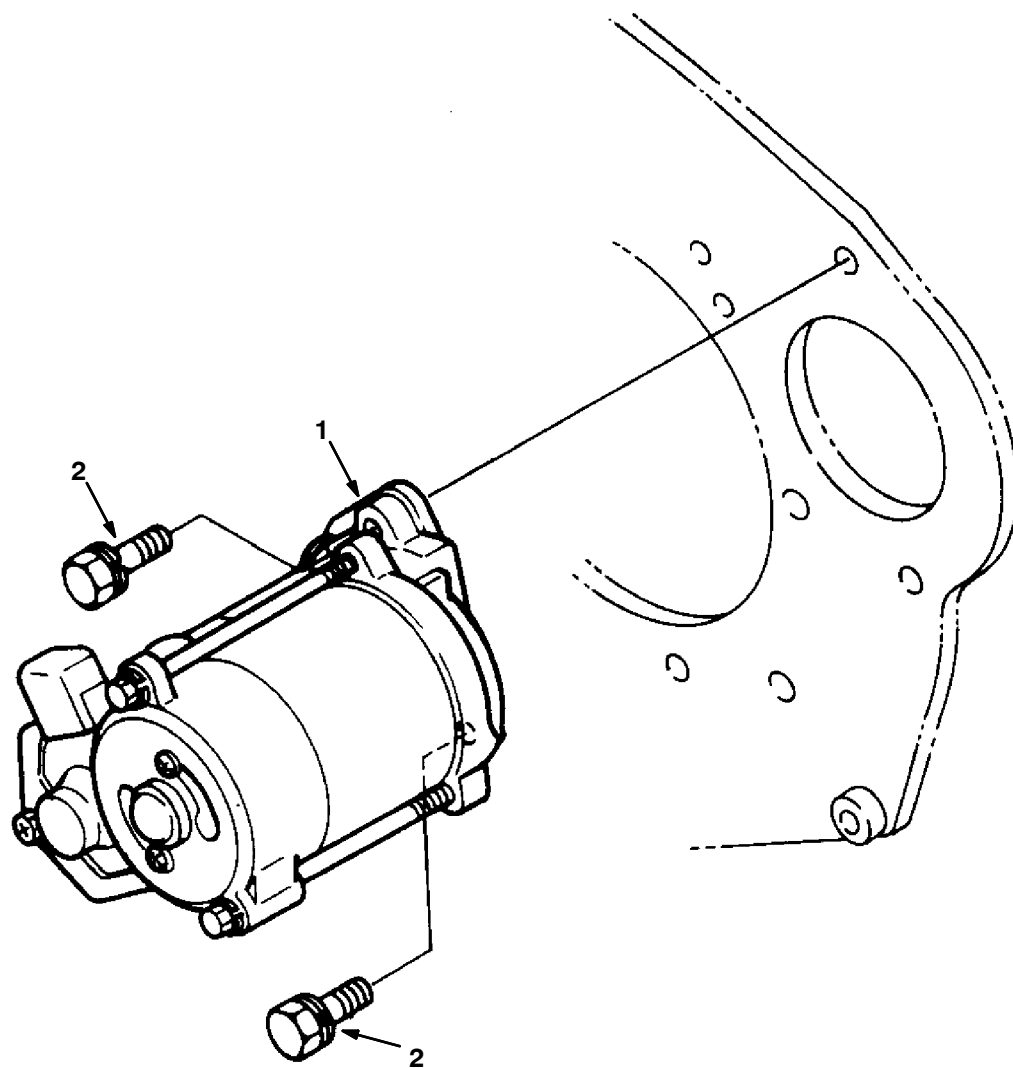
Fig. 21 - Nozzle Holder Breakdown



Ref.	Part No.	Description	Qty.
▽	372917	Housing Assy, Nozzle	4
▲	1 9004395	Nut [Ku]	1
▲	2 9004396	Washer [Ku]	1
▲	3 9004397	Nozzle, Spring [Ku]	1
▲	4 388500	Spacer [Ku]	1
▲	5 9004398	Rod, Push [Ku]	1
	6 9004399	Nut, Nozzle [Ku]	1
	7 9004400	Washer, Plain [Ku]	1
	8 9001101	Fender, Lh	1



Fig. 22 - Starter Group



350213 - D

Ref.	Part No.	Description	Qty.
1	361349	Starter, 12vdc [Ku]	1
2	73535	Screw, Hex [Ku]	2

Fig. 23 - Starter Breakdown

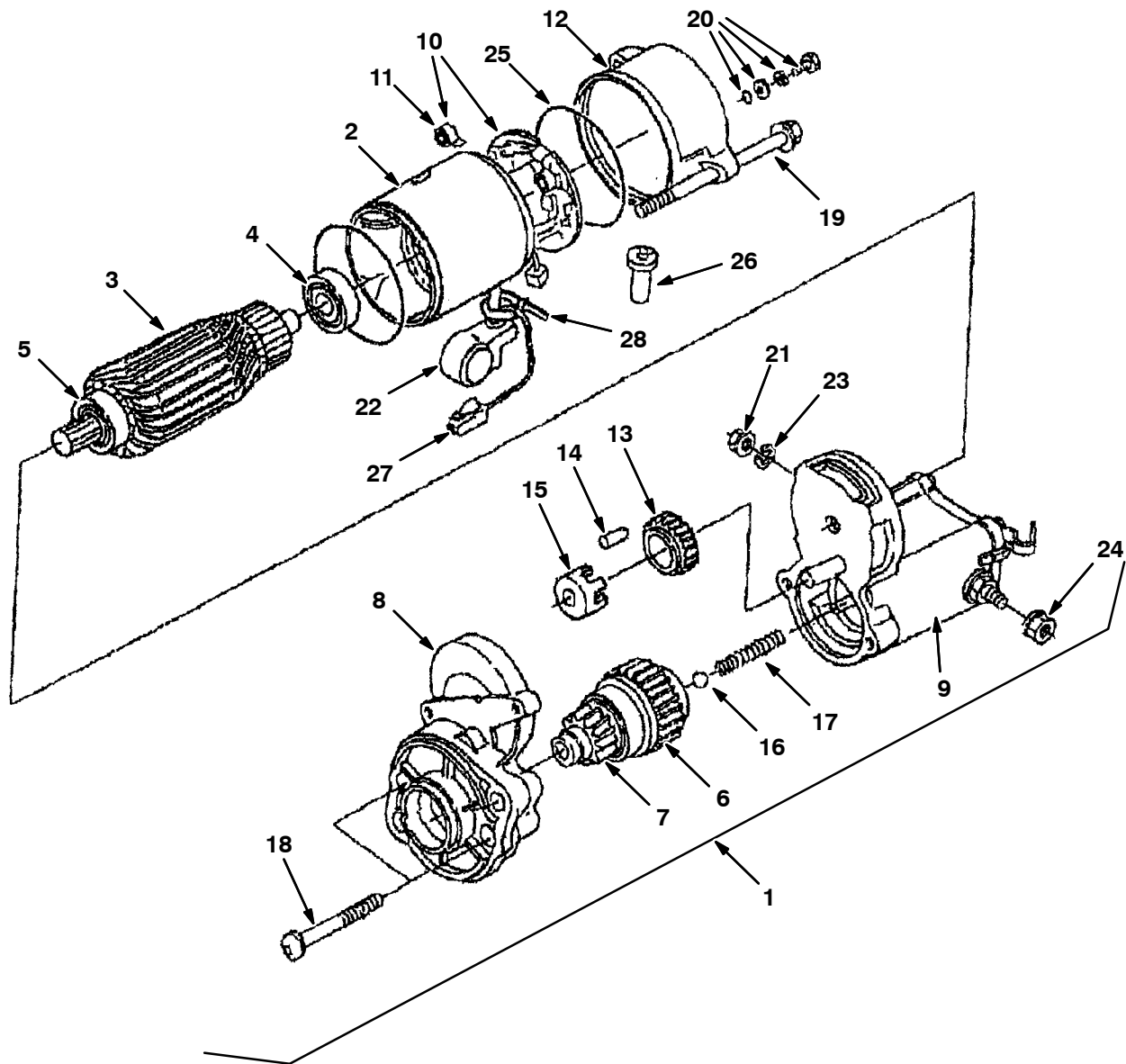
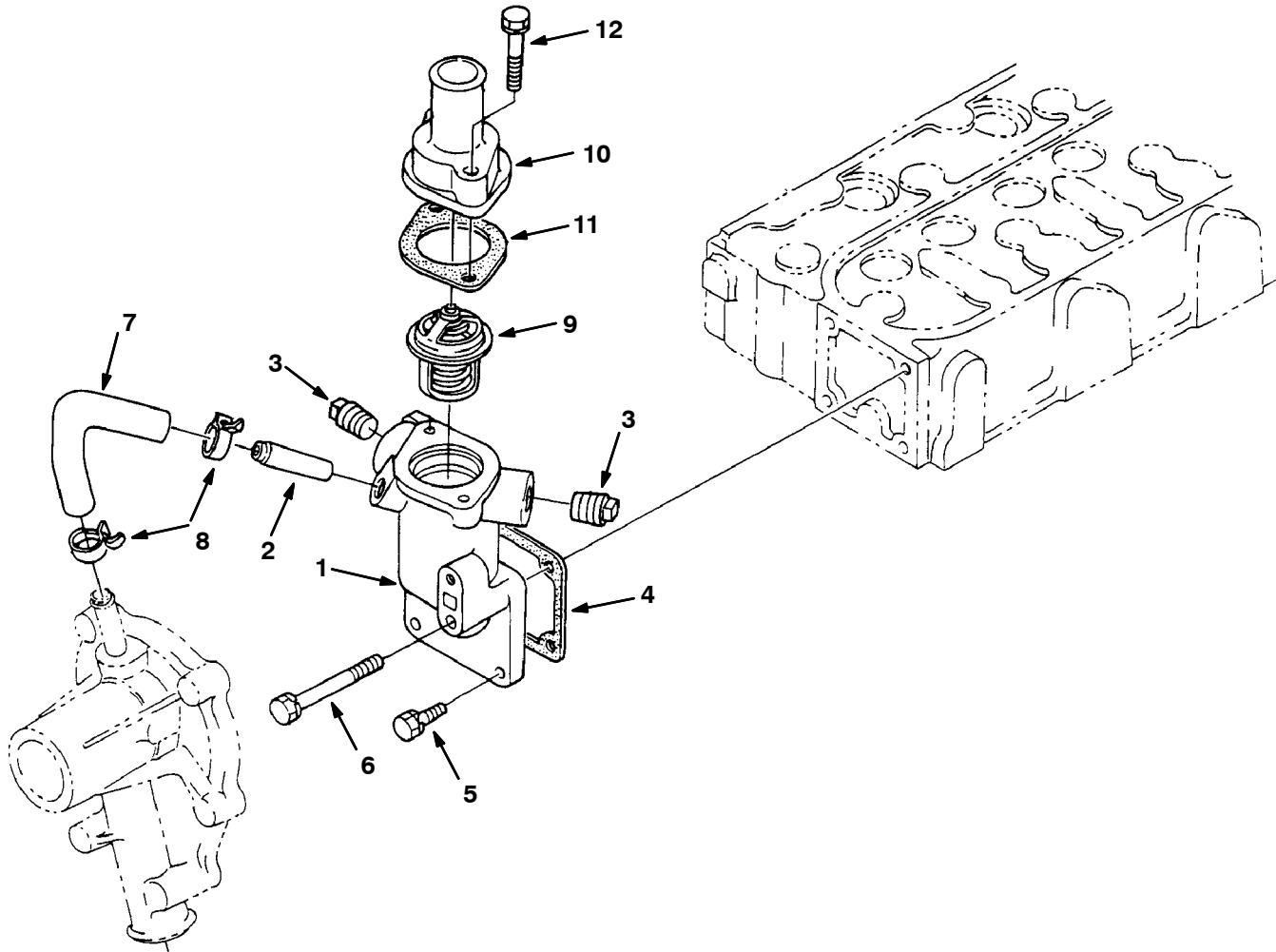


Fig. 23 - Starter Breakdown

	Ref.	Part No.	Description	Qty.
▽	1	361349	Starter, 12vdc [Ku]	1
▲	2	9005033	Yoke, Starter [Ku]	1
▲	3	70197	Armature, Motor [Ku]	1
▲▽	4	70199	Bearing	1
▲▲	5	70198	Bearing	1
▲▲	6	9005034	Clutch, Starter [Ku]	1
▲	7	70962	Pinion, Bevel	1
▲	8	70201	Frame, End, Drive	1
▲▽	9	9005035	Solenoid, Starter [Ku]	1
▲▲		9005042	Cover [Ku]	1
▲▽	10	9005036	Holder, Brush [Ku]	1
▲▲	11	70205	Spring, Brush	4
▲	12	9005037	Retainer, Gear, Starter [Ku]	1
▲	13	9005038	Gear, Starter [Ku]	1
▲	14	73544	Roller, Starter [Ku]	5
▲	15	70207	Retainer	1
▲	16	73546	Ball [Ku]	1
▲	17	70208	Spring	1
▲	18	70209	Bolt	2
▲	19	70210	Bolt	2
▲	20	20432	Bolt	2
▲	21	70212	Nut	1
▲	22	9005039	Boot, Wire, Starter [Ku]	1
▲	23	9005040	Washer, Spring [Ku]	1
▲	24	9005041	Nut, Hex [Ku]	1
▲	25	20433	Seal, Org	2
▲	26	70213	Tube, Drain, Starter	1
▲	27	368086	Wire, Solenoid, Starter [Ku]	1
▲	28	368084	Band, Cover [Ku]	1

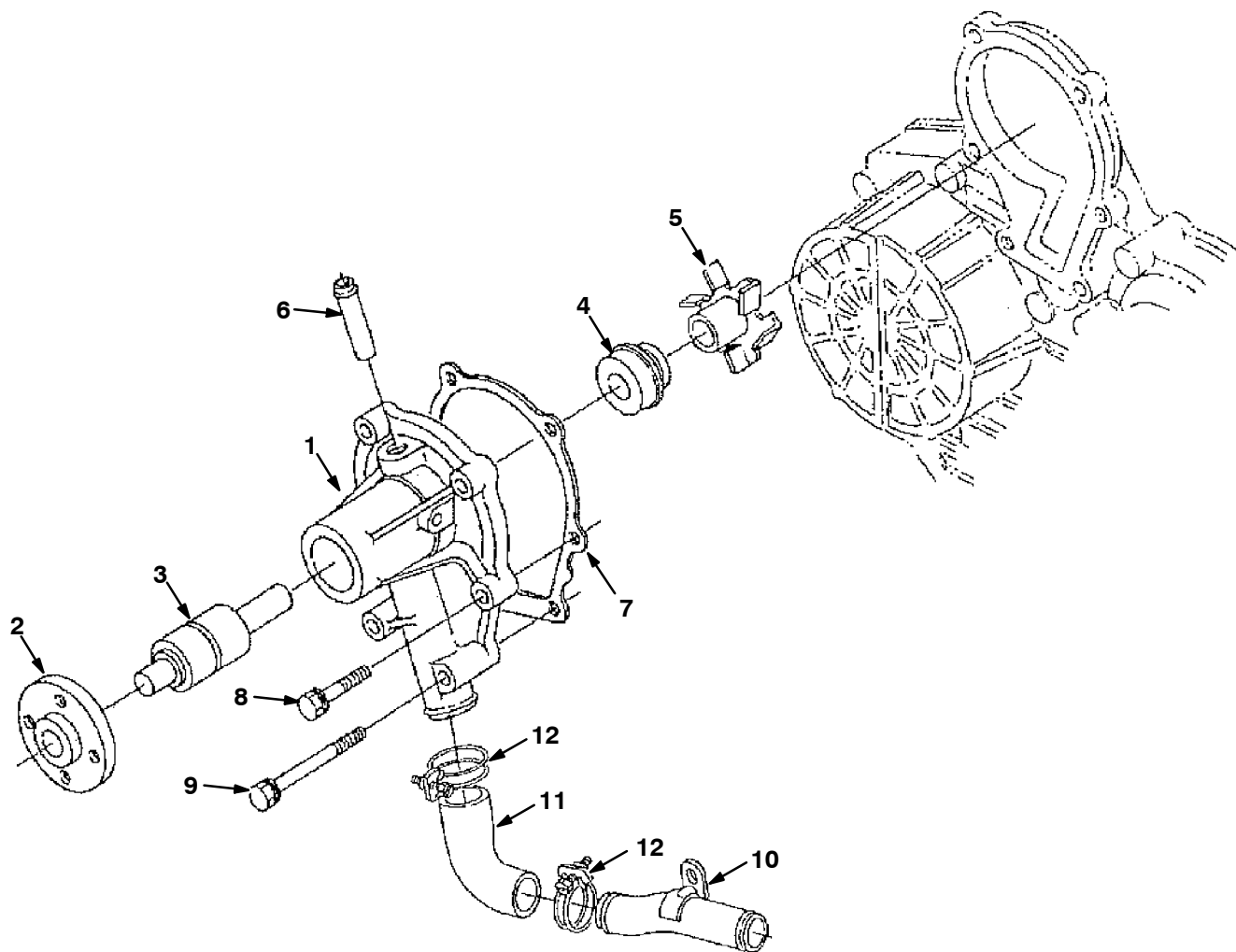
Fig. 24 - Water Flange and Thermostat Group



350215 - 4300D

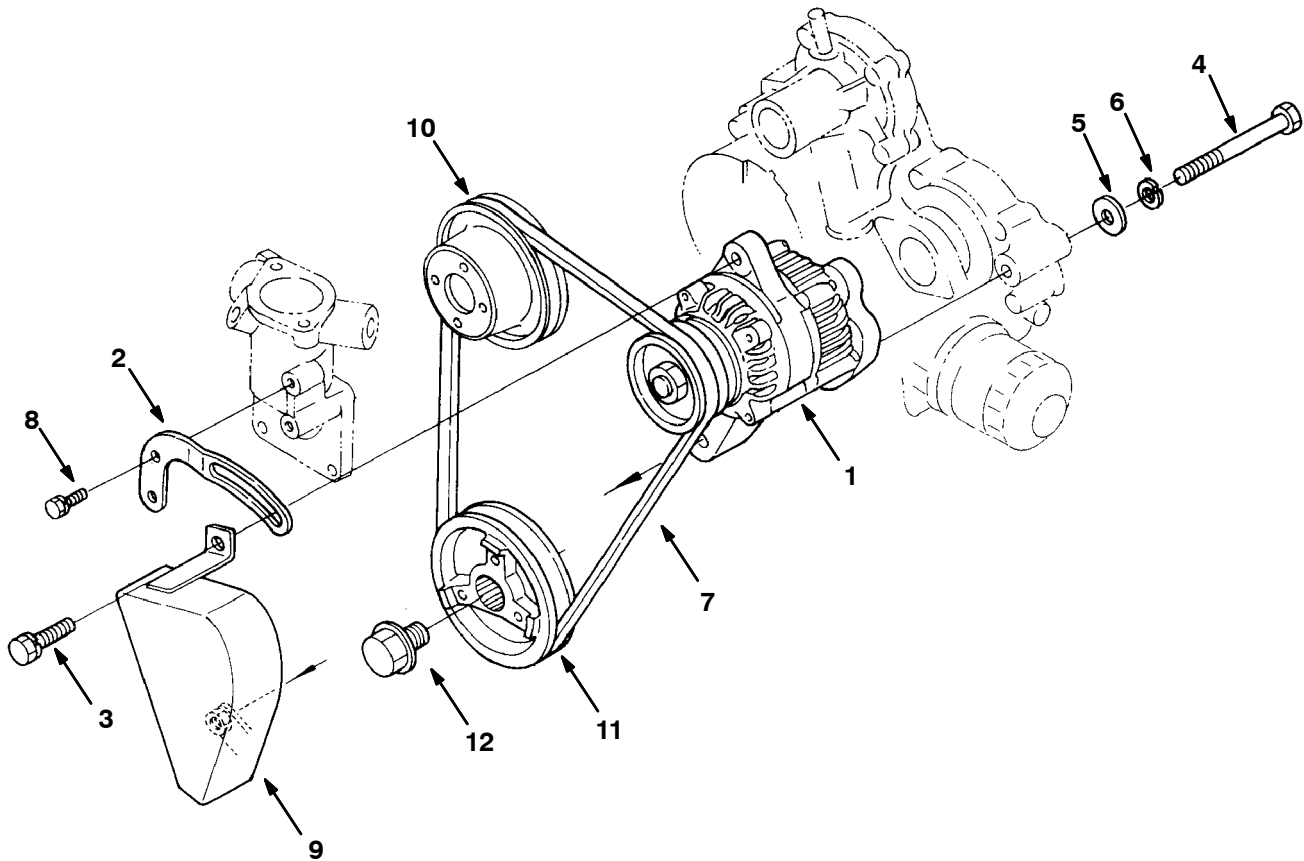
Ref.	Part No.	Description	Qty.
1	368090	Flange, Water [Ku]	1
2	384859	Pipe, Water, Return	1
3	9005043	Fitting, Pipe, Plug [Ku]	2
4	70994	Gasket, Hsg, Thermostat [Ku]	1
5	71995	Screw, Hex [Ku]	3
6	72995	Screw, Hex [Ku]	1
7	73633	Hose, Water [Ku]	1
8	73634	Clamp, Hose, Heater [Ku]	2
9	361654	Thermostat, 160deg, 1.7d [Ku]	1
10	368091	Housing, Thermostat [Ku]	1
11	10851	Gasket	1
12	73535	Screw, Hex [Ku]	2

Fig. 25 - Water Pump Group



Ref.	Part No.	Description	Qty.	
▽	1	9004402	Pump Assy, Water [Ku]	1
▲	2	70919	Flange, Pump, Water [Ku]	1
▲	3	9004403	Bearing [Ku]	1
▲	4	9004404	Seal Assy [Ku]	1
▲	5	9004405	Impeller, Pump, Water [Ku]	1
▲	6	361440	Fitting, Pipe, Water [Ku]	1
▲	7	70920	Gasket, Pump, Water [Ku]	1
	8	9004406	Bolt [Ku]	4
	9	9004407	Bolt [Ku]	2
	10	9003868	Pipe, Water [Kubota]	1
	11	9003869	Pipe, Water [Kubota]	1
	12	9003870	Clamp [Kubota]	2

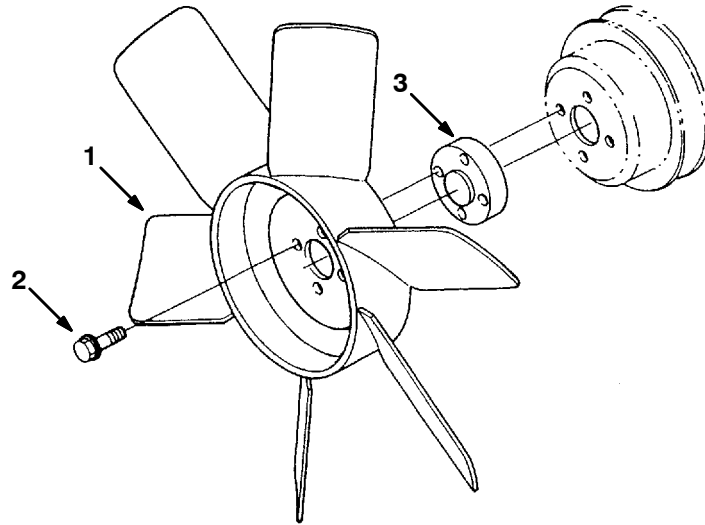
Fig. 26 - Alternator and Pulley Group



350219 - 4300D

Ref.	Part No.	Description	Qty.
1	361387	Alternator, 12vdc A [Ku] 16231-64012	1
2	361399	Arm, Alternator [Ku]	1
3	9005030	Screw, Hex [Ku]	1
4	361360	Screw, Hex [Ku]	1
5	361364	Washer, Flat [Ku]	1
6	9005031	Washer, Spring [Ku]	1
7	9005078	Belt, Fan [Ku]	1
8	71995	Screw, Hex [Ku]	1
9	9005032	Guard, Belt [Ku]	1
10	55847	Sheave, Fan [Ku]	1
11	361386	Sheave, Cshft [Ku]	1
12	73532	Screw, Hex, Cshft [Ku]	1

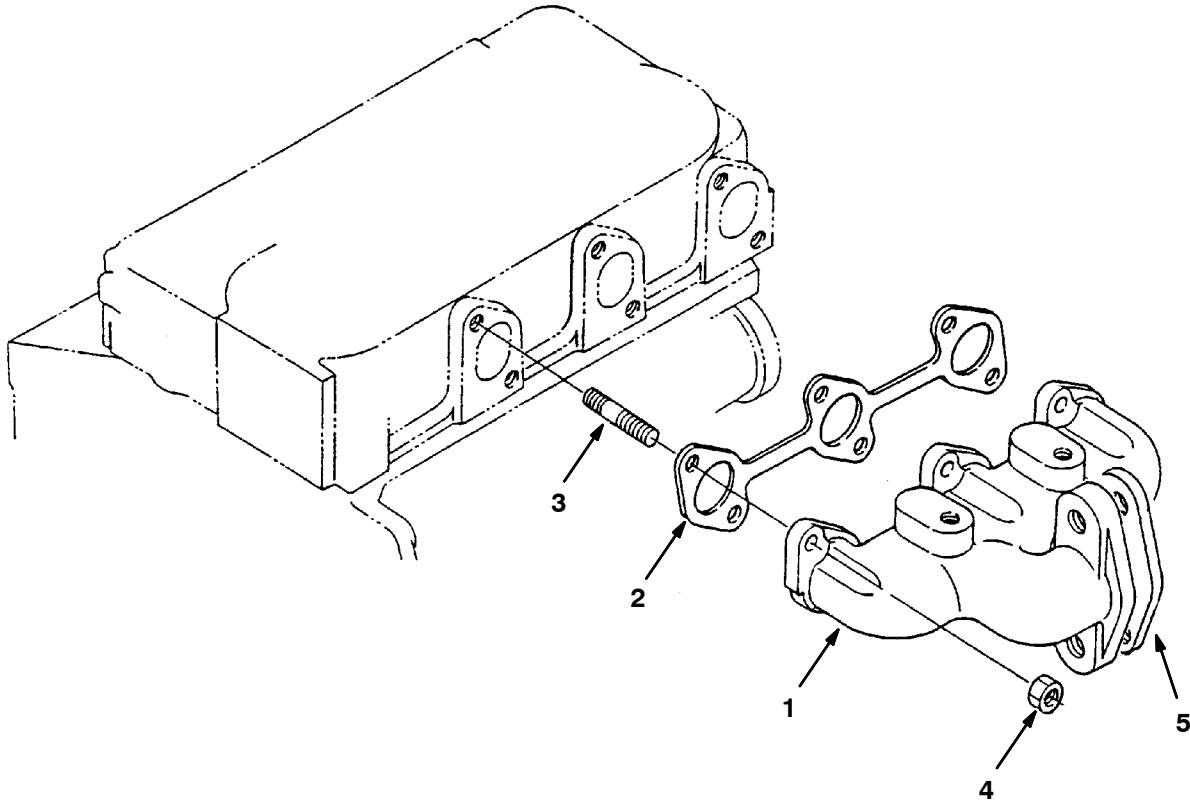
Fig. 27 - Fan Group



351856 - 4300D

Ref.	Part No.	Description	Qty.
1	367262	Fan, Cooling, 6 Blade [Ku]	1
2	368096	Bolt, Flng [Ku]	4
3	368097	Spacer, Fan [Ku]	1

Fig. 28 - Exhaust Manifold Group

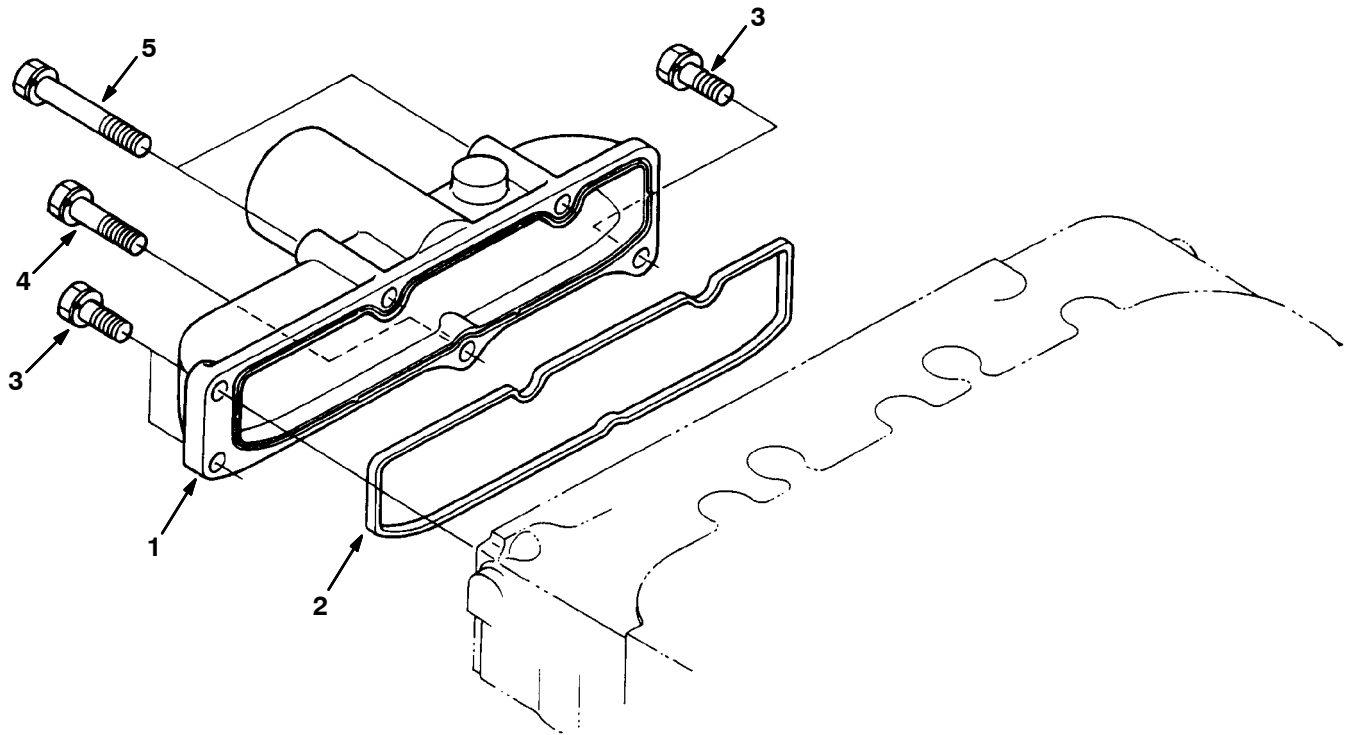


352011 - D

Ref.	Part No.	Description	Qty.
1	361420	Manifold, Exhaust [Ku]	1
2	361407	Gasket, Exhaust [Ku]	1
3	73488	Stud [Ku]	6
4	361427	Nut, Hex [Ku]	6
5	368099	Gasket, Manifold, Exhaust [Ku]	1



Fig. 29 - Inlet Manifold Group



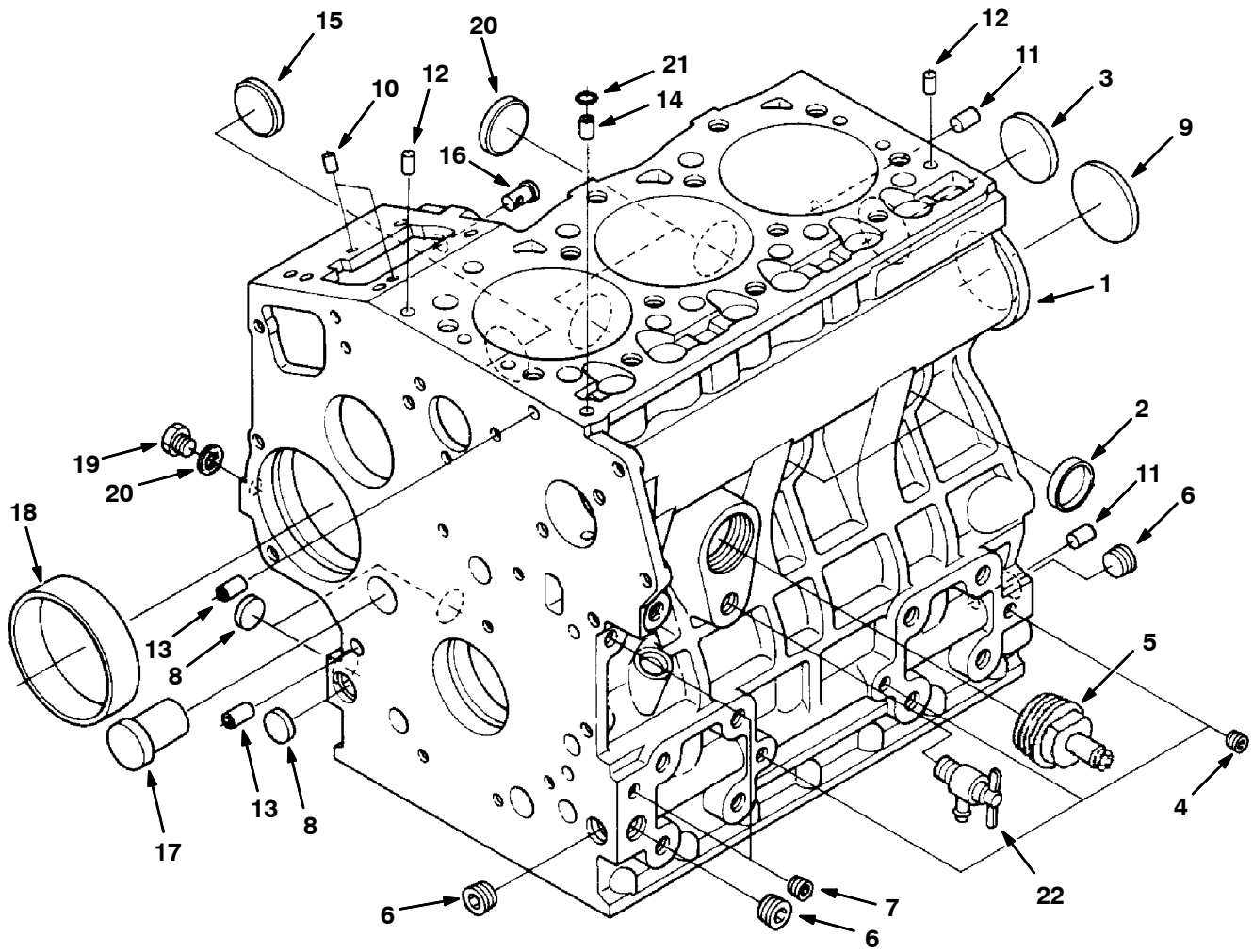
350225 - D

Ref.	Part No.	Description	Qty.
▽	1 372910	Manifold Assy, Inlet	1
▲	2 361406	Gasket, Manifold, Intake [Ku]	1
	3 71995	Screw, Hex [Ku]	3
	4 9004406	Bolt [Ku]	1
	5 72994	Screw, Hex [Ku]	2



<b>Contents</b>	<b>Page</b>
Fig. 1 - Crankcase Group .....	7-2
Fig. 2 - Oil Pan Group .....	7-4
Fig. 3 - Cylinder Head Group .....	7-6
Fig. 4 - Gear Case Group .....	7-8
Fig. 5 - Head Cover Group .....	7-10
Fig. 6 - Remote Oil Filter Group .....	7-12
Fig. 7 - Dipstick and Guide Group .....	7-13
Fig. 8 - Main Bearing Case Group .....	7-14
Fig. 9 - Camshaft Group .....	7-16
Fig. 10 - Valve and Rocker Arm Group .....	7-18
Fig. 11 - Piston and Crankshaft Group .....	7-20
Fig. 12 - Flywheel Group .....	7-22
Fig. 13 - Fuel Camshaft Group .....	7-23
Fig. 14 - Engine Stop Lever Group .....	7-24
Fig. 15 - Stop Solenoid Group .....	7-25
Fig. 16 - Governor Group .....	7-26
Fig. 17 - Injection Pump Group .....	7-27
Fig. 18 - Injection Pump Breakdown .....	7-28
Fig. 19 - Speed Control Plate Group .....	7-30
Fig. 20 - Nozzle Holder and Glow Plug Group ..	7-31
Fig. 21 - Starter Group .....	7-32
Fig. 22 - Starter Breakdown .....	7-34
Fig. 23 - Water Flange and Thermostat Group .	7-36
Fig. 24 - Water Pump Group .....	7-37
Fig. 25 - Alternator and Pulley Group .....	7-38
Fig. 26 - Fan Group .....	7-39
Fig. 27 - Exhaust Manifold Group .....	7-40
Fig. 28 - Inlet Manifold Group .....	7-41
Fig. 29 - Turbo Charger Group .....	7-42
Fig. 30 - Oil Cooler Group .....	7-43

## Fig. 1 - Crankcase Group



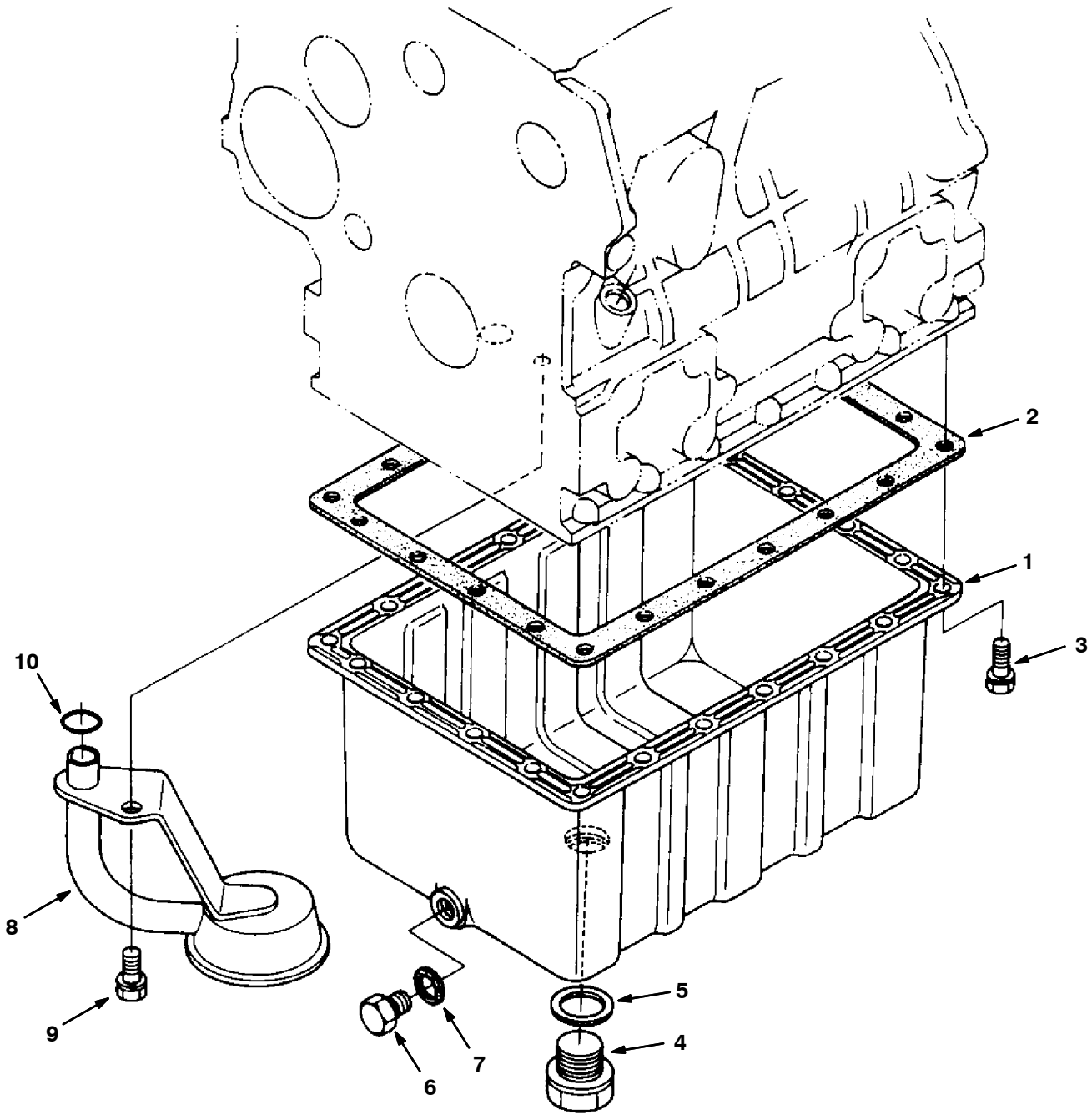
**Fig. 1 - Crankcase Group**

	<b>Ref.</b>	<b>Part No.</b>		<b>Description</b>	<b>Qty.</b>
	1	20135	①	Crankcase	1
▽	1	372924	②	Crankcase, Complt	1
▲	2	70998		Cap, Sealing	4
▲	3	39087		Cap Sealing	1
▲	4	39088		Plug, Pin	3
▲	5			Joint, Drain Pipe	1
▲	6	71985		Plug	3
▲	7	39051		Plug, Pin	2
▲	8	361436		Plug	3
▲	9	71986		Plug, Expansion	1
▲	10	71987		Pin, Straight	2
▲	11	71988		Pin, Straight	2
▲	12	71989		Pin, Straight	2
▲	13	71990		<Pin, Eng [Ku]	2
▲	14	71991		Pin, Pipe	11
▲	15	71992		Plug	1
▲	16	361416		Pin,Start Sprngku	1
▲	17	71993		Plug	1
▲	18	70887		Bushing, Gov Gear	1
▲	19	39062		Plug	1
▲	20	10895		Gasket	1
	21	39063		O-Ring	1
	22	70888		Draincock Asy	1

① Kubota Serial number (Wxxxxx-3xxxxxx)

② Kubota Serial number number ( 4xxxxx- )

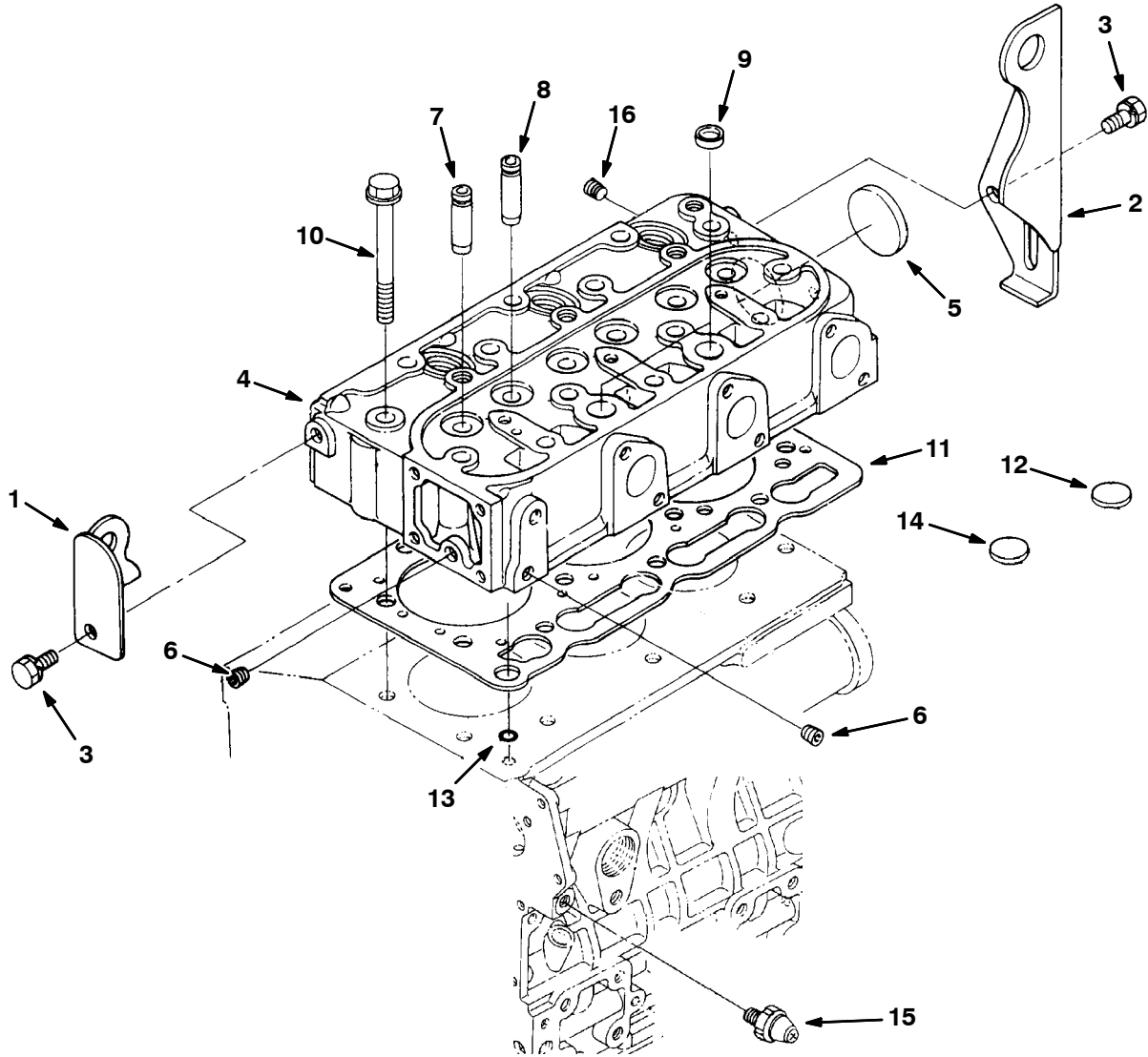
Fig. 2 - Oil Pan Group



**Fig. 2 - Oil Pan Group**

<b>Ref.</b>	<b>Part No.</b>	<b>Description</b>	<b>Qty.</b>
1	361433	Oil Pan,Comp	1
2	361422	Gasket,Oil Pan	1
3	71995	Bolt	22
4	361431	Plug,Drain	1
5	70891	Gasket, Drain Plug	1
6	361370	Plug	1
7	361369	Gasket	1
8	368051	Tube, Pickup, Oil	1
9	39094	Bolt	1
10	41792	O-Ring	1

Fig. 3 - Cylinder Head Group





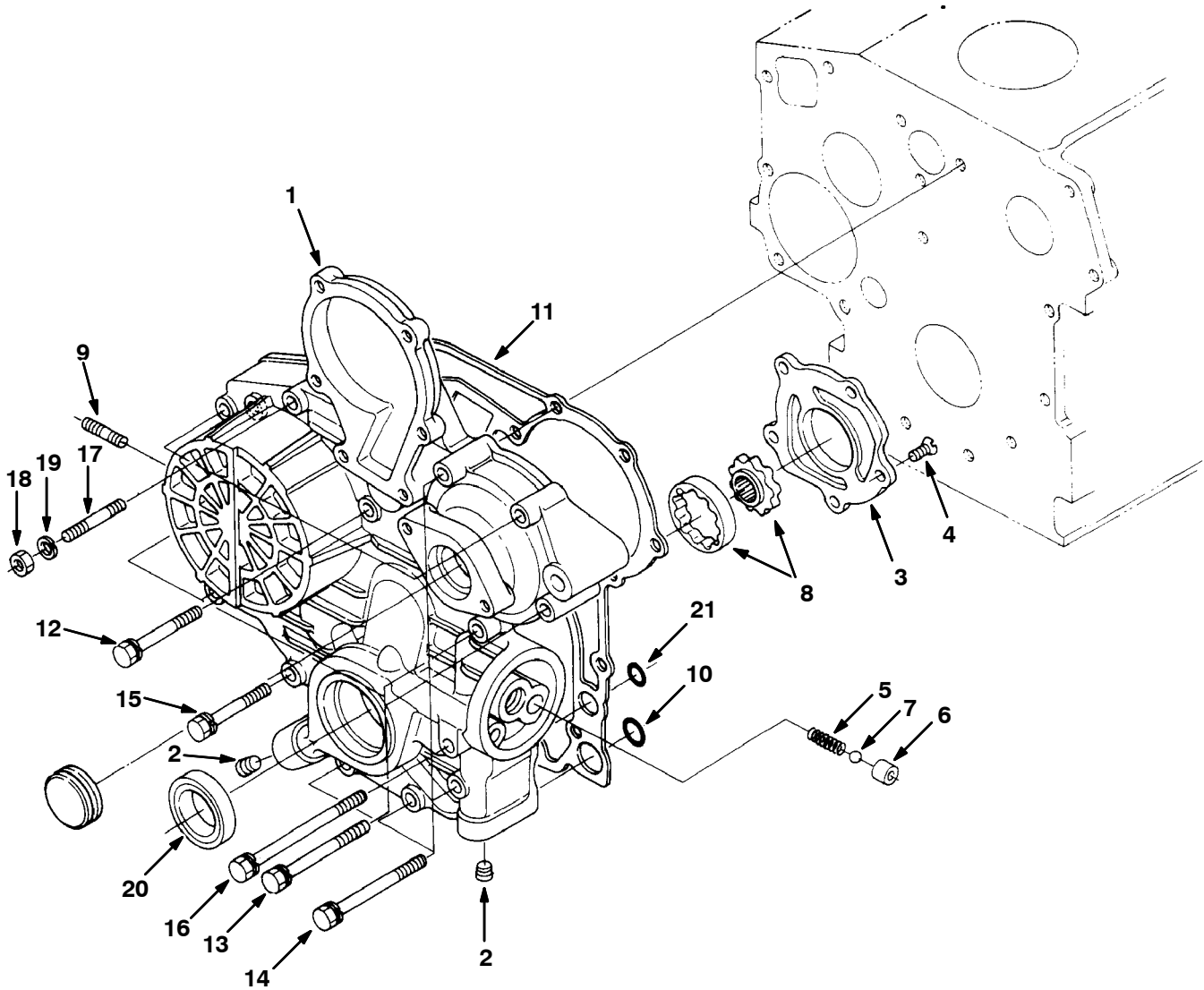
**Fig. 3 - Cylinder Head Group**

Ref.	Part No.	Description	Qty.
1	71996	Hook, Engine	1
2	71997	Hook, Engine 2	1
3	39073	Bolt	2
▽ 4	368052	① Head, Cyl, 3 Cyl [Ku]	1
▲ 5	51331	① Cap	1
▲ 6	39088	① Plug, Pin	2
▲ 7	70895	① Guide, Inlet Valve	3
▲ 8	70896	① Guide, Exhaust Valve	3
▲ 9	361372	① Cap,Sealing	2
▽ 4	372922	② Head, Cyl, Complt	1
▲ 5	51331	② Cap	1
▲ 6	39088	② Plug, Pin	2
▲ 7	372906	② Guide, Valve, Inlet	3
▲ 8	372907	② Guide, Valve, Exhaust	3
▲ 9	361372	② Cap,Sealing	2
10	70897	Cyl.Head Bolt	14
11	368053	① Gskt,Cyl.Head	1
11	372916	② Gasket, Head, Cyl	1
12	361394	Seat,Int.Valve	3
13	372903	O-Ring	3
14	361393	Seat,Exh.Valve	3
15	87940	Oil Switch	1
16	72010	Plug	1

① Kubota Serial number (Wxxxxx-3xxxxxx)

② Kubota Serial number number ( 4xxxxx- )

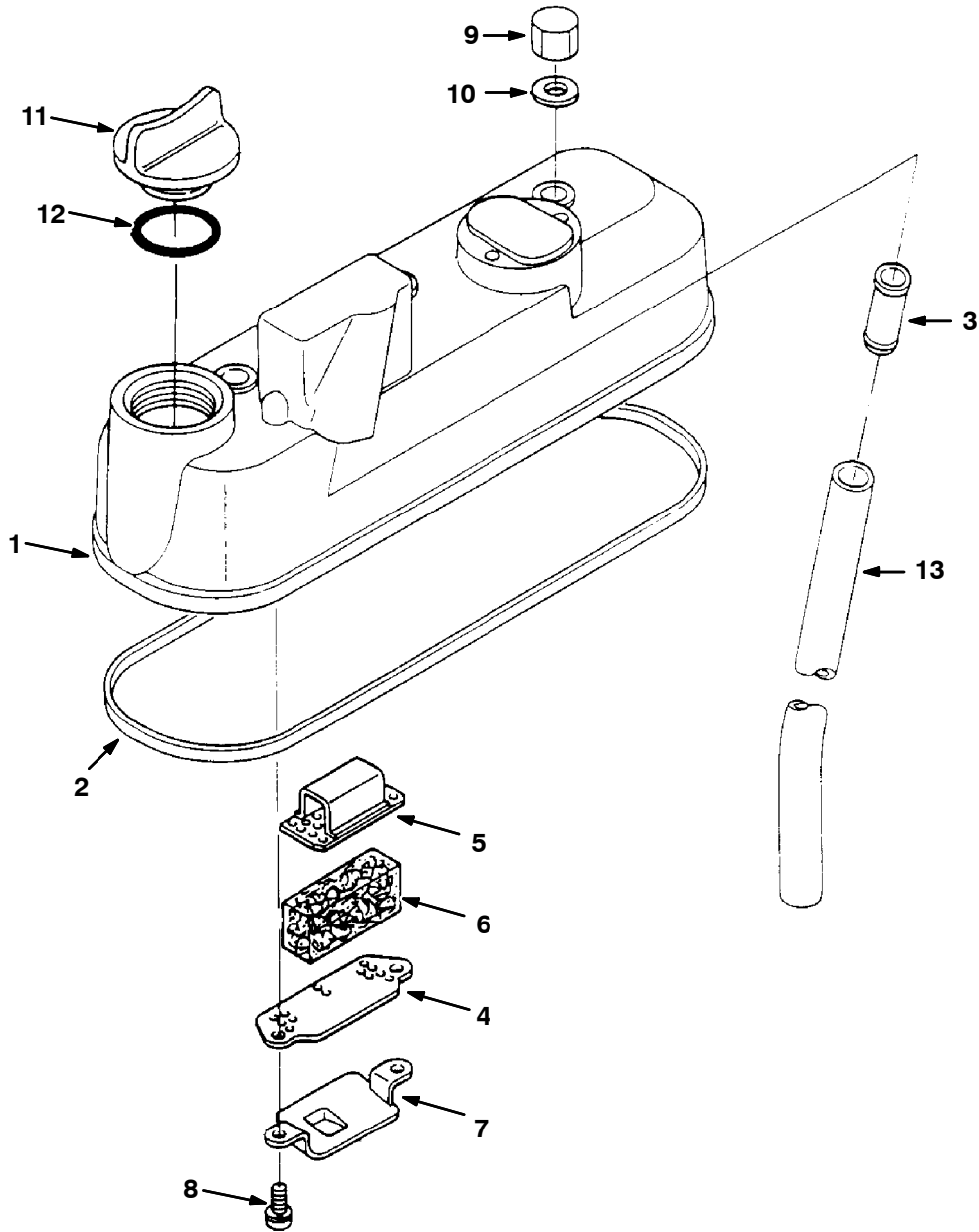
## Fig. 4 - Gear Case Group



**Fig. 4 - Gear Case Group**

	<b>Ref.</b>	<b>Part No.</b>	<b>Description</b>	<b>Qty.</b>
▽	1	361423	Comp.Case,Gear	1
▲	2	361401	Plug	2
▲	3	361397	Cover,Oil Pump	1
▲	4	72013	Screw	5
▲	5	70900	Spring	1
▲	6	70901	Valve Seat	1
▲	7	70902	Ball	1
▲	8	70903	Pump, Oil	1
	9	72018	Stud	2
	10	39103	O-Ring	2
	11	70912	Gasket, Gearcase	1
	12	72993	Bolt	3
	13	72994	Bolt	6
	14	72995	Bolt	2
	15	72014	Bolt	1
	16	72015	Bolt	1
	17	72017	Stud	1
	18	39121	Nut	1
	19	39065	Washer, Spring	1
	20	368055	Seal,Oil	1
	21	368054	O-Ring	2

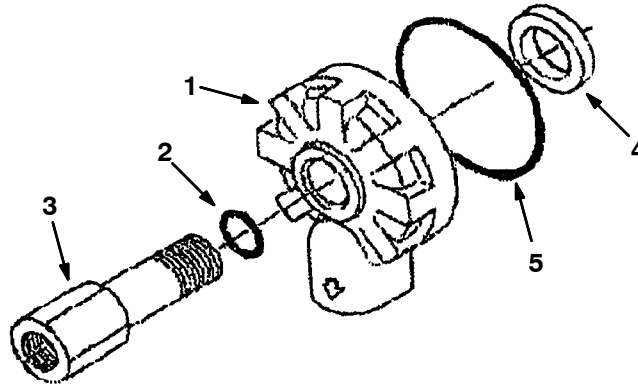
**Fig. 5 - Head Cover Group**



**Fig. 5 - Head Cover Group**

	<b>Ref.</b>	<b>Part No.</b>	<b>Description</b>	<b>Qty.</b>
▽	1	361409	Cvr Assy,Cyl.Hd	1
▲	2	361411	Gskt,Head Cover	1
▲	3	73481	Joint, Pipe	1
▲	4	70930	Elem.Plate(1)	1
▲	5	70931	Elem.Plate(2)	1
▲	6	70932	Breather Elem	1
▲	7	70933	Brthr Shield	1
▲	8	73482	Screw W/Washer	2
	9	73483	Nut, Cap	3
	10	73484	Gasket	3
	11	361374	Plug,Oil Filt	1
	12	39162	O-Ring	1
	13	73485	Pipe, Breather	1

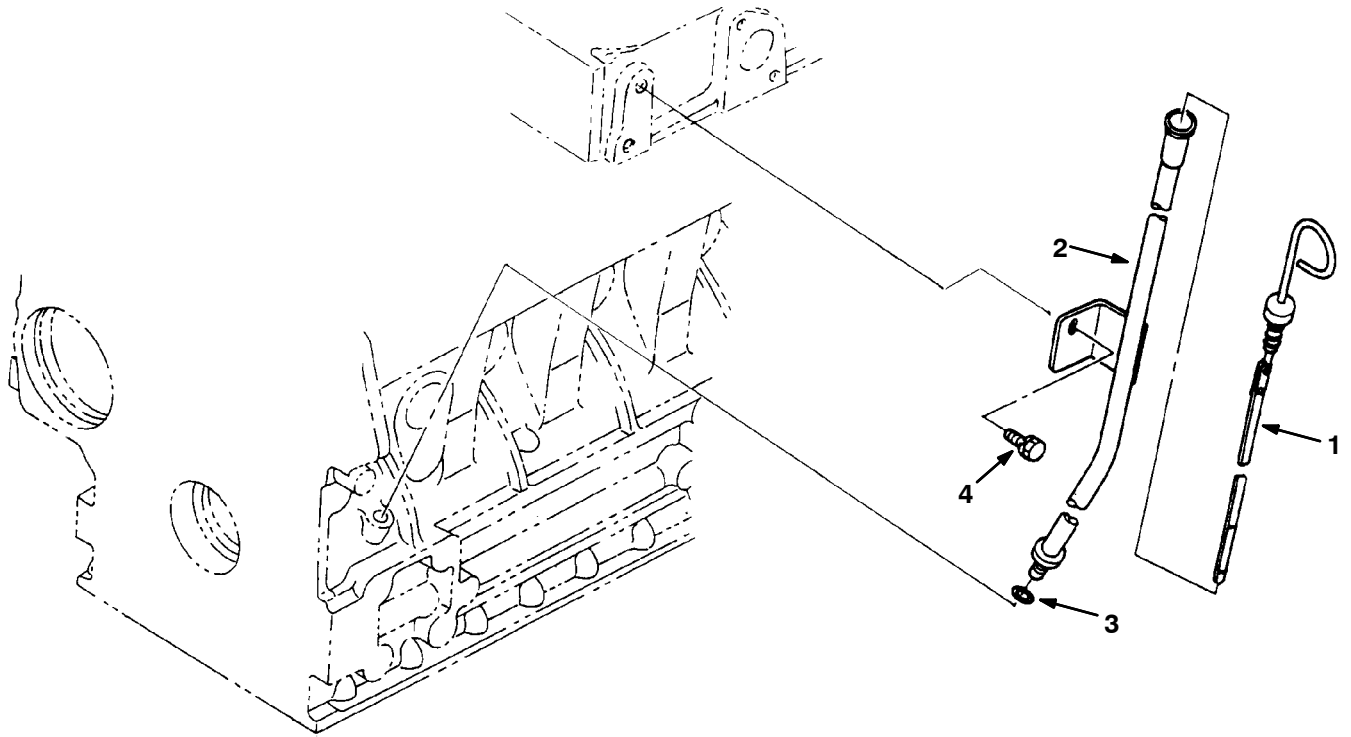
Fig. 6 - Remote Oil Filter Group



351389 - 4300D

	Ref.	Part No.	Description	Qty.
▽	1	368056	Base, oil filter	1
▲	2	70911	O-ring	1
	3	368059	Pipe joint	1
	4	368057	Co llar	1
	5	70907	O-ring	1

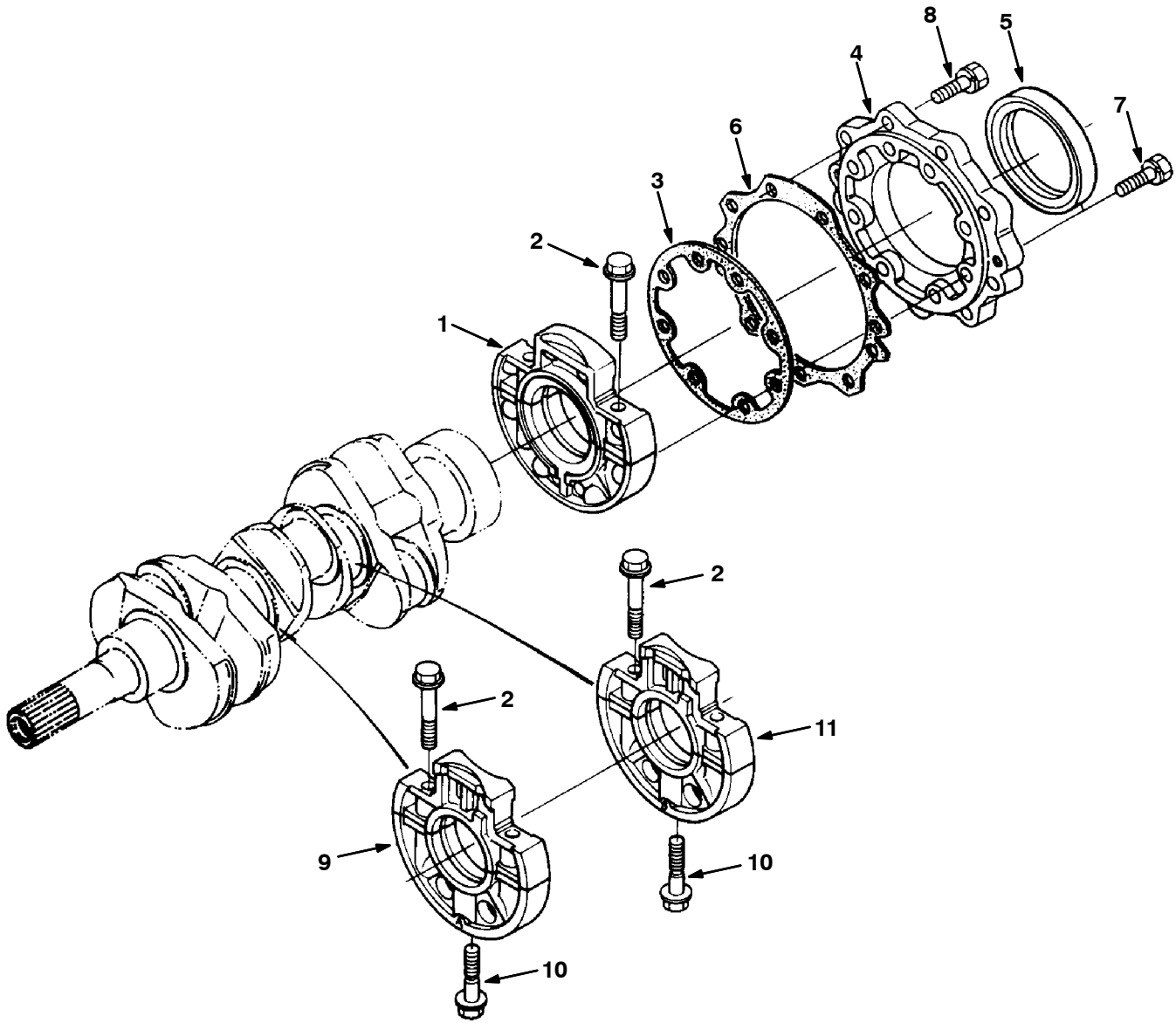
**Fig. 7 - Dipstick and Guide Group**



350187 - 4300D

	<b>Ref.</b>	<b>Part No.</b>	<b>Description</b>	<b>Qty.</b>
▽	1	70893	Guide Asy,Oilga	1
▲	2	70894	Oilgage Guide	1
▲	3	361366	O-Ring	1
	4	39073	Bolt	1

Fig. 8 - Main Bearing Case Group

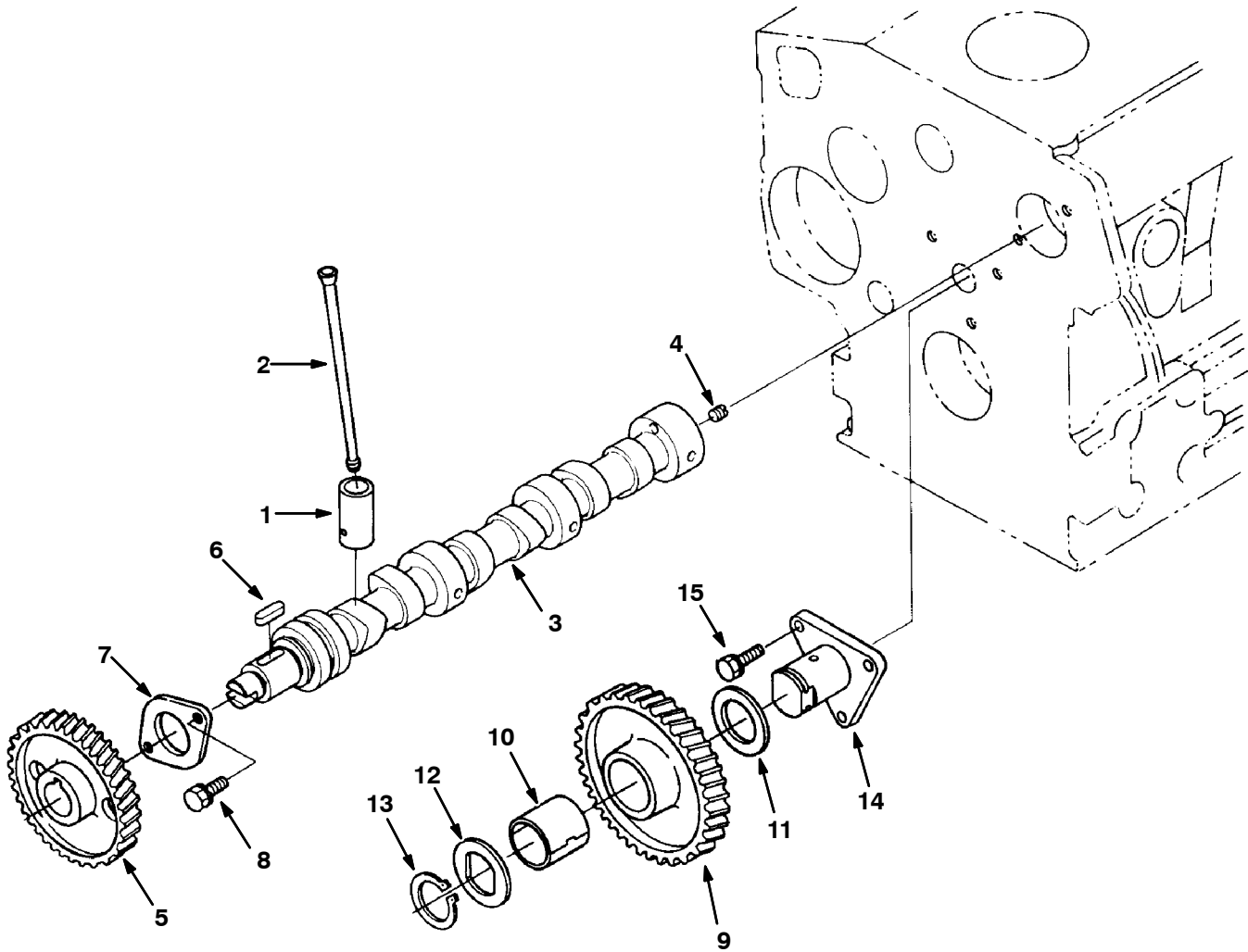




**Fig. 8 - Main Bearing Case Group**

<b>Ref.</b>	<b>Part No.</b>	<b>Description</b>	<b>Qty.</b>	
1	70921	Case Assy,Brg	1	
2	72998	Bolt, Bearing Case	6	
3	70922	Gasket, Bearing Case	1	
▽	4	70923	Cover, Bearing Case, Eng [Ku]	1
▲	5	70924	Seal, Oil	1
6	70925	Gskt, Case Cvr	1	
7	72999	Bolt	8	
8	39119	Bolt	9	
9	70926	Bearing Assy, Case [Ku]	1	
10	73479	Bolt	2	
11	70927	Bearing Assy, Case [Ku]	1	

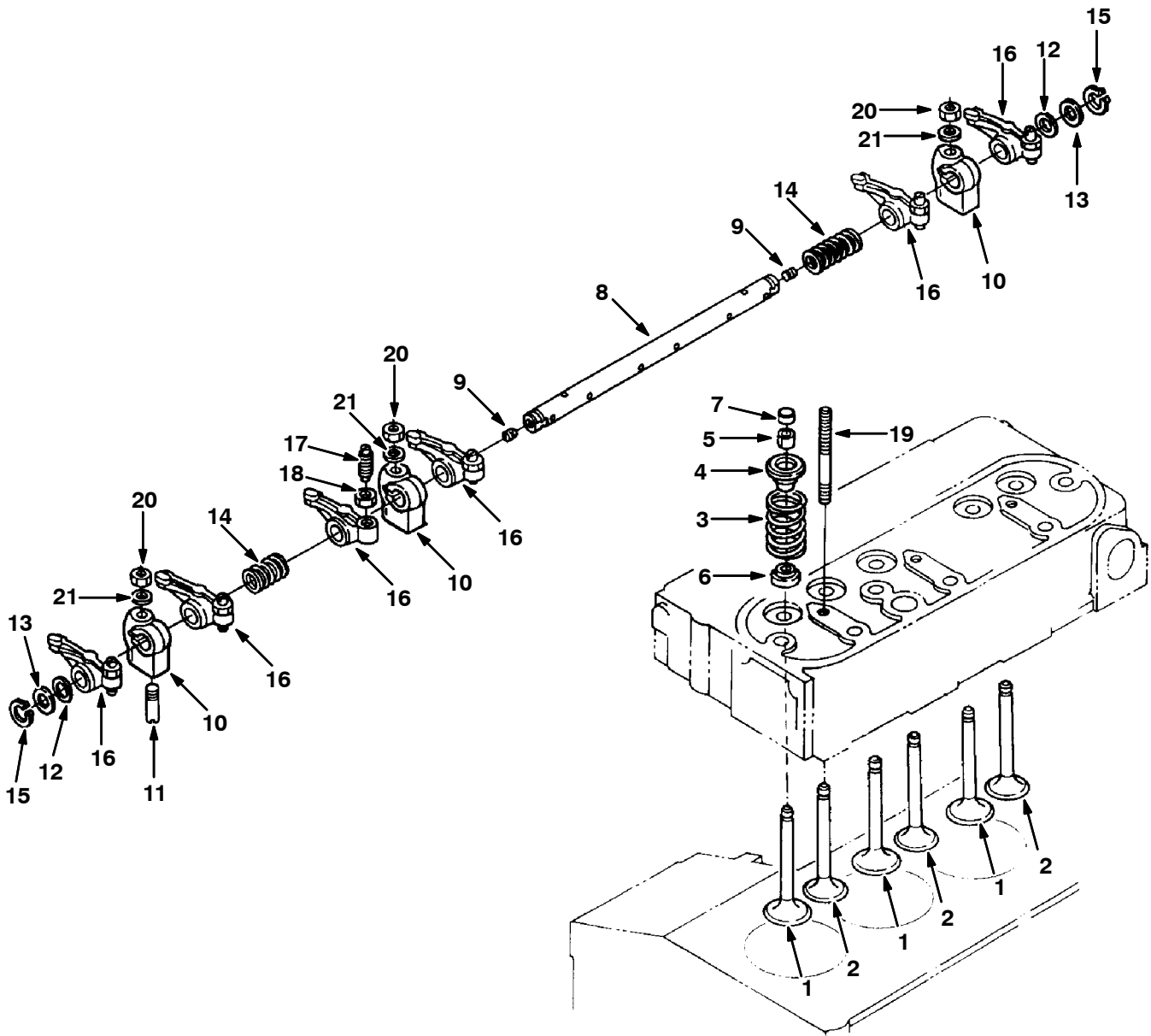
**Fig. 9 - Camshaft Group**



**Fig. 9 - Valve and Rocker Arm Group**

<b>Ref.</b>	<b>Part No.</b>	<b>Description</b>	<b>Qty.</b>	
	1	361413	Tappet	6
	2	73509	Push Rod	6
▽	3	361414	Camshaft Assy	1
▲	4	39197	Screw, Set	1
▲	5	73511	Gear, Camshaft	1
▲	6	73512	Keyway	1
▲	7	73513	Stopper	1
▲	8	39160	Bolt	2
▽	9	73514	Gear, Idle	1
▲	10	73515	Bshng, Idle Gear	1
	11	73516	Collar, Gear	1
	12	73517	Collar, Gear	1
	13	73518	Cir-Clip, Gear	1
	14	73519	Shaft, Gear	1
	15	41973	Bolt	3

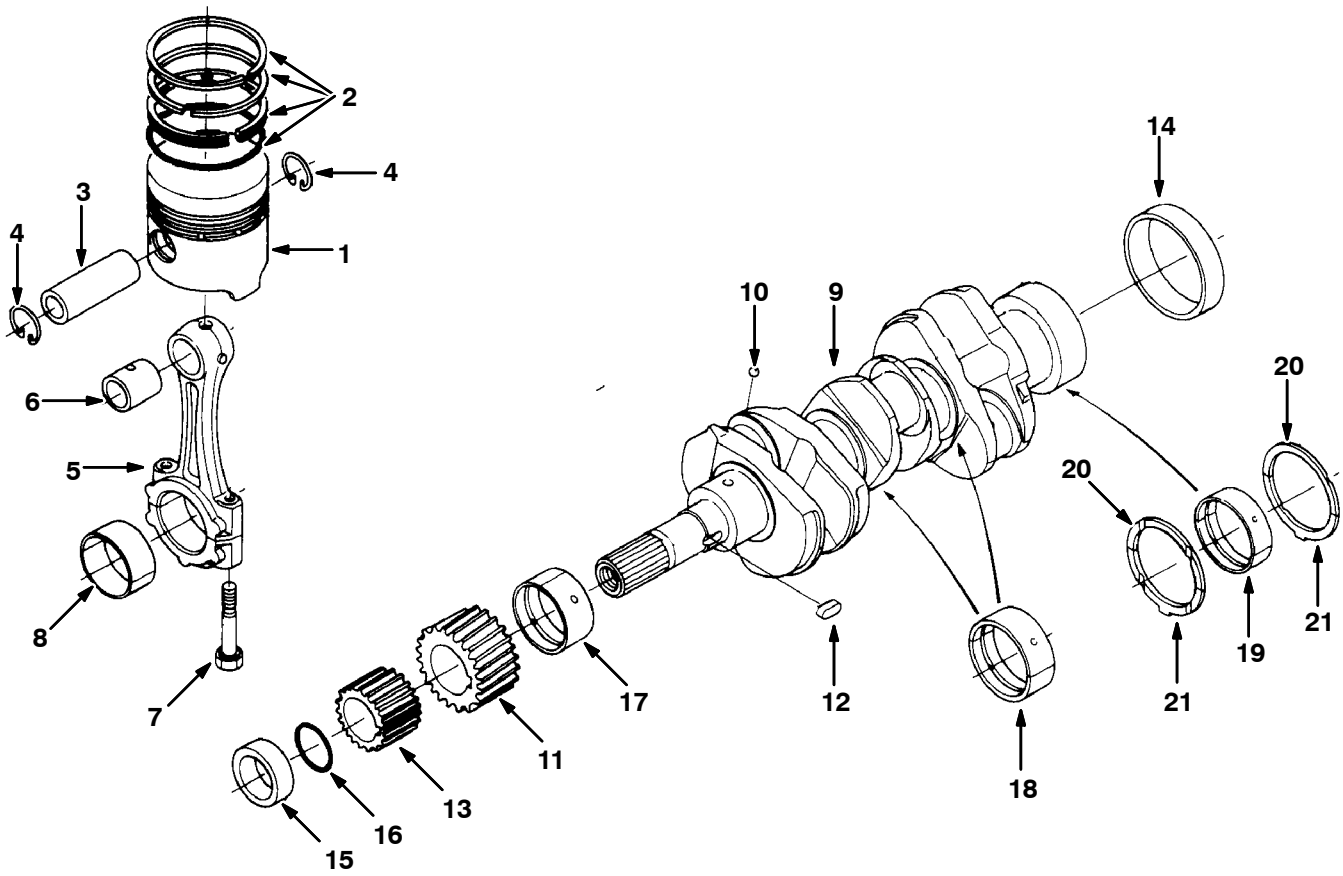
Fig. 10 - Valve and Rocker Arm Group



**Fig. 10 - Valve and Rocker Arm Group**

<b>Ref.</b>	<b>Part No.</b>	<b>Description</b>	<b>Qty.</b>	
1	70936	Inlet Valve	3	
2	70937	Valve, Exhaust	3	
3	73491	Spring, Valve	6	
4	73492	Retainer	6	
5	73493	Collet, Spring	12	
6	73494	Seal, Valve	6	
7	361392	Cap, Valve	6	
▽	8	368098	Rocker Arm Assy	1
▲	9	361363	Screw, Set	2
▲	10	73497	Bracket, Arm	3
▲	11	73501	Screw Set	1
▲	12	73502	Washer	2
▲	13	73503	Washer	2
▲	14	73504	Spring, Arm	2
▲	15	73505	Cir-Clip, Ext	2
▲▽	16	73506	Rocker Arm Assy	6
▲▲	17	73507	Screw, Adjusting	1
▲▲	18	73508	Nut	1
	19	73498	Stud	3
	20	73499	Nut	3
	21	73500	Washer, Plain	3

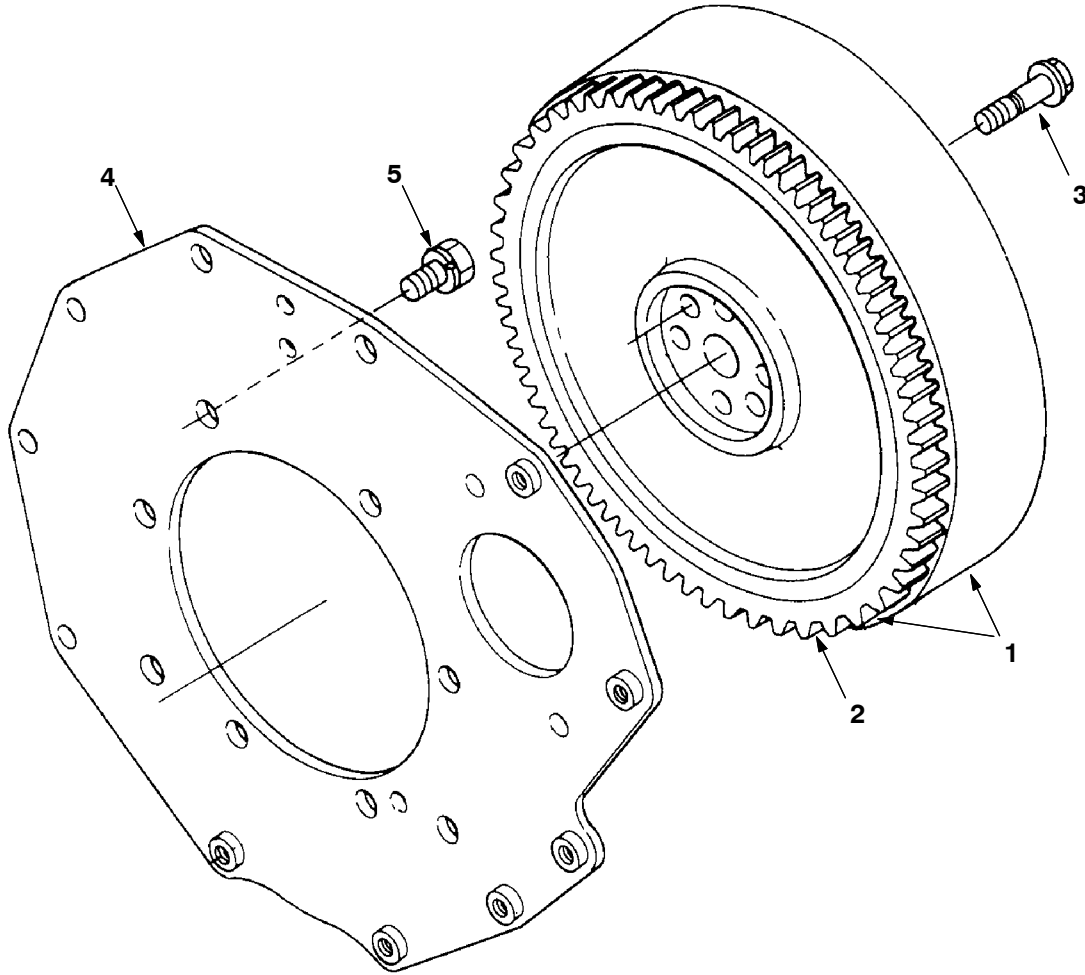
Fig. 11 - Piston and Crankshaft Group



**Fig. 11 - Piston and Crankshaft Group**

Ref.	Part No.	Description	Qty.	
	1	73520	Piston, Eng [Ku]	3
	1	73521	Piston, Eng [Ku]	3
	2	70938	Ring Assy, Piston [Ku]	3
	2	70939	Ring Set, Piston [Ku]	3
	3	73522	Pin, Piston	3
	4	73523	Cir-Clip, Pin	6
▽	5	73524	Connecting Rod Assy	3
▲	6	70940	Bushing, Pin, Piston [Ku]	3
▲	7	73525	Bolt, Connecting Rod	6
▲	8	66204	Rod, Bearing Set 0.2	6
▲	8	66207	Rod, Bearing Set 0.4	6
▲	8	70941	Crank Pin, Metal	6
▽	9	368060	Comp.Crankshaft	1
▲	10	73527	Ball	3
▲	11	73528	Gear, Crankshaft	1
▲	12	73529	Crankshaft, Keyway	1
▲	13	73530	Gear, Oil Pump	1
▲	14	70942	Cshaft Sleeve	1
	15	70943	Collar, Crankshaft	1
	16	70944	O-Ring	1
	17	70945	Cshaft, Metal 1	1
	17	70946	Crankshaft Mtl1(02)	1
	17	70947	Cshft Mtl1	1
	18	70948	Cshaft, Mlt2	4
	18	70949	Crankshaft Mtl2 (2)	4
	18	70950	Cshft Mtl2	4
	19	70951	C Shaft Metal	2
	19	70952	Crankshaft Mtl3(02)	2
	19	70953	Cshft Mtl3	2
	20	10844	Bearing Side	2
	20	70954	Metl1, Side	2
	20	70955	Side Metl1(04)	2
	21	10845	Bearing Side	2
	21	30121	Thrust Bearing .2Mm	2
	21	30122	Thrust Bearing .4Mm	2

Fig. 12 - Flywheel Group

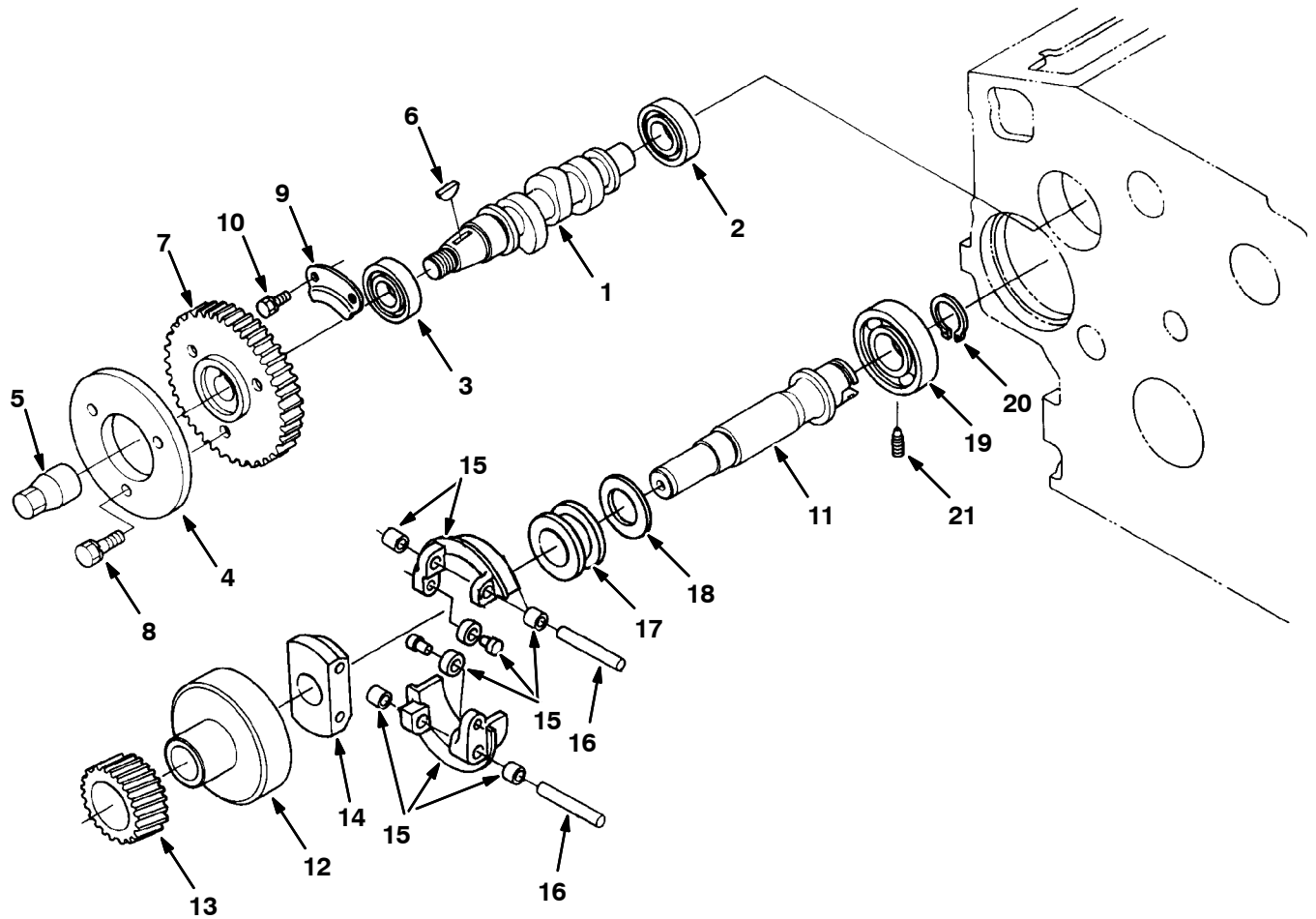


350197 - D

	Ref.	Part No.	Description	Qty.
▽	1	361435	Flywheel, Comp.	1
▲	2	70957	Ring Gear	1
	3	73533	Bolt, Flywheel	6
	4	361390	Plate, Rear End	1
	5	73534	Bolt	8



**Fig. 13 - Fuel Camshaft Group**

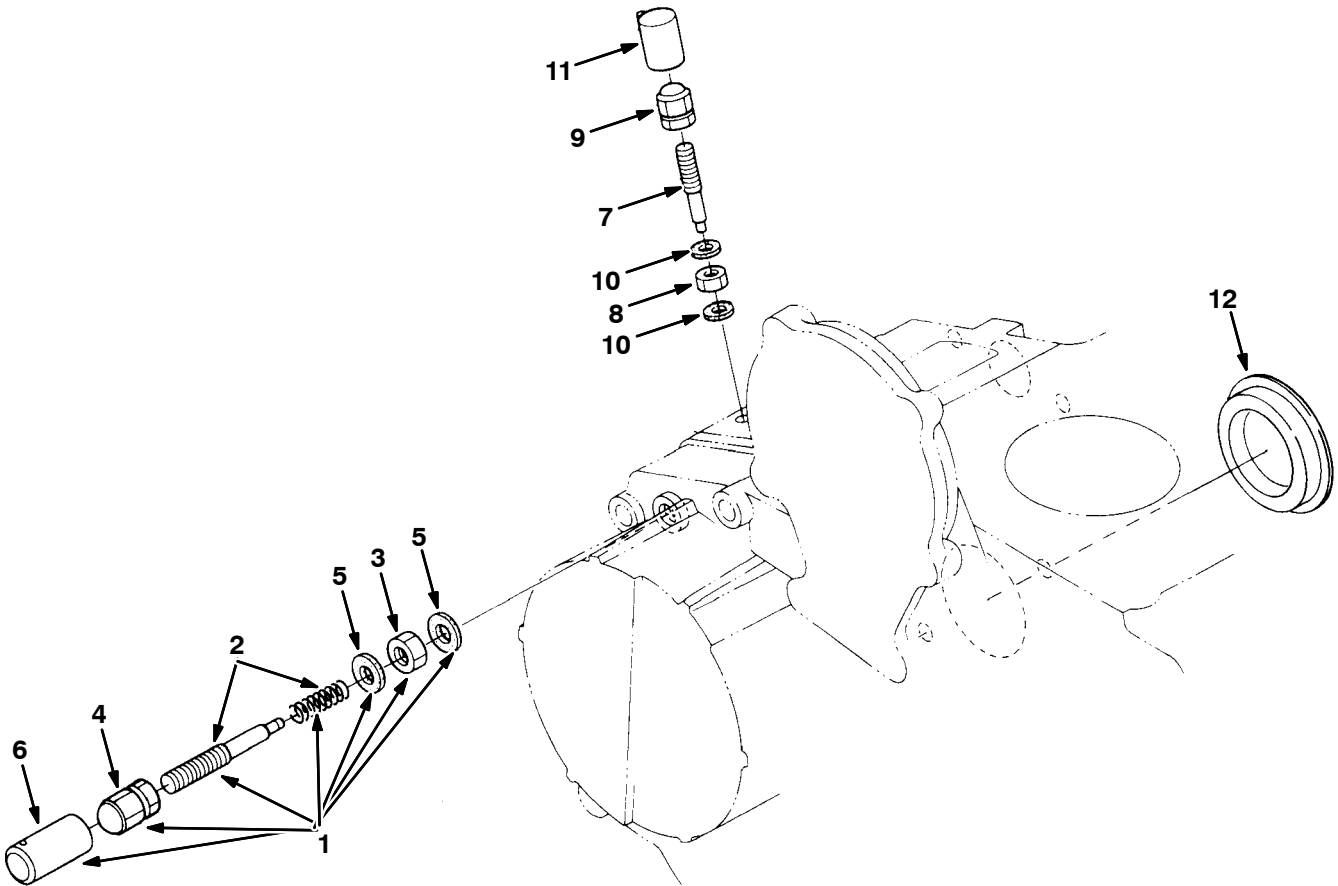


350199 - 4300D

Ref.	Part No.	Description	Qty.	
1	361377	Camshaft, Fuel	1	
2	70975	Bearing, Ball	1	
3	70976	Bearing, Ball	1	
4	73592	Cam, Fuel 1	1	
5	73593	Nut, Cap	1	
6	73594	Key, Woodruff	1	
7	73595	Gear, Pump	1	
8	40409	Bolt	3	
9	73596	Stopper	1	
10	71995	Bolt	2	
▽	11	368061	Shaft Assy, Gov	1
▲	12	73598	Holder, Gear	1
▲	13	73599	Gear, Governor	1
▲	14	73600	Holder	1
▲	15	73601	Comp. Weight	2
▲	16	73602	Shaft, Gov	2
▲	17	70977	Gov. Sleeve	1
▲	18	70978	Thrustwasher	1
	19	70979	Bearing, Ball	1
	20	73603	Cir-Clip, Gov	1
	21	73604	Screw, Set	1

# TURBO ENGINE BREAKDOWN

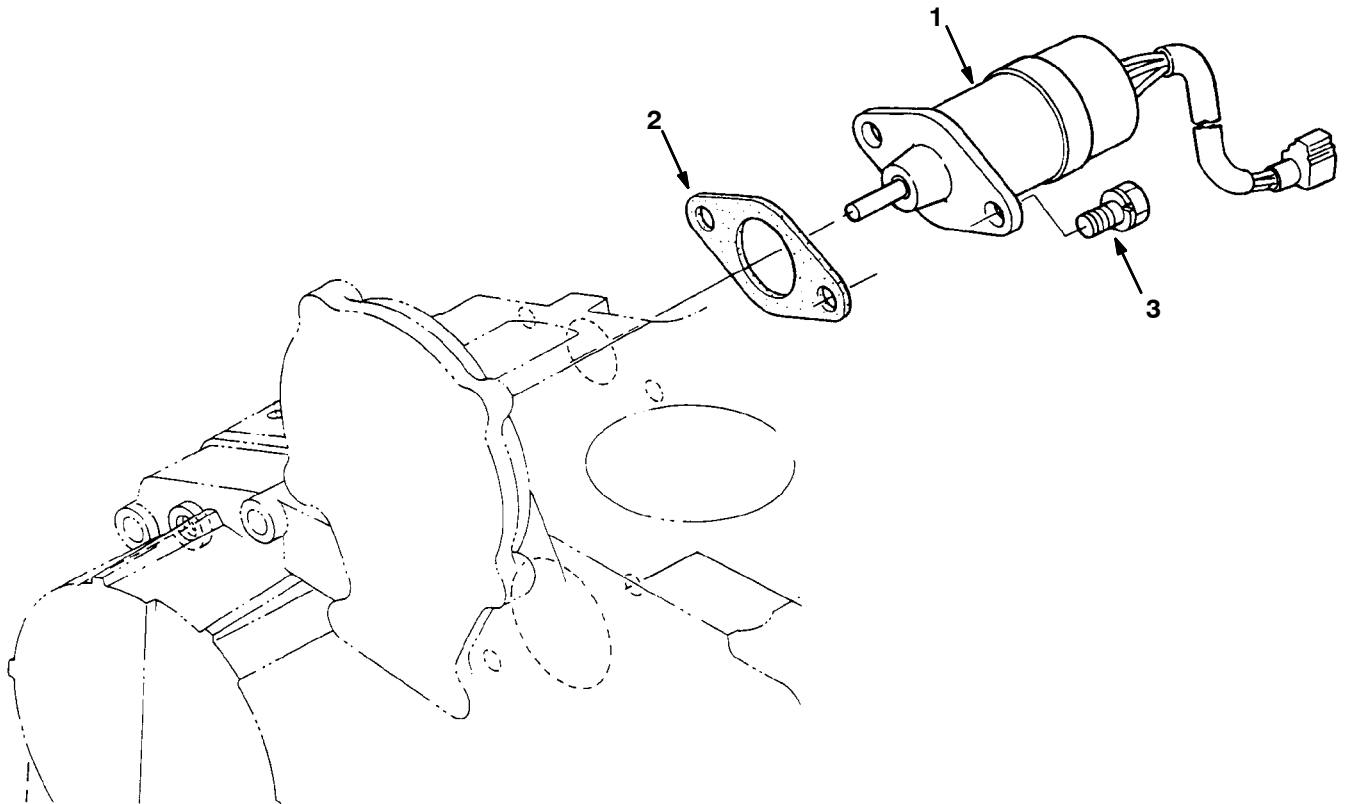
Fig. 14 - Engine Stop Lever Group



350201 - D

	Ref.	Part No.	Description	Qty.
▽	1	70980	Idle App.Assy	1
▲	2	73605	Bolt, Assy, Adj	1
▲	3	73606	Nut	1
▲	4	361375	Nut,Cap	1
▲	5	40166	Gasket	2
▲	6	361382	Cap	1
	7	73610	Bolt, Adj	1
	8	73606	Nut	1
	9	361375	Nut,Cap	1
	10	40166	Gasket	2
	11	361382	Cap	1
	12	70188	Cover, Pump	1

**Fig. 15 - Stop Solenoid Group**



350203 - 4300D

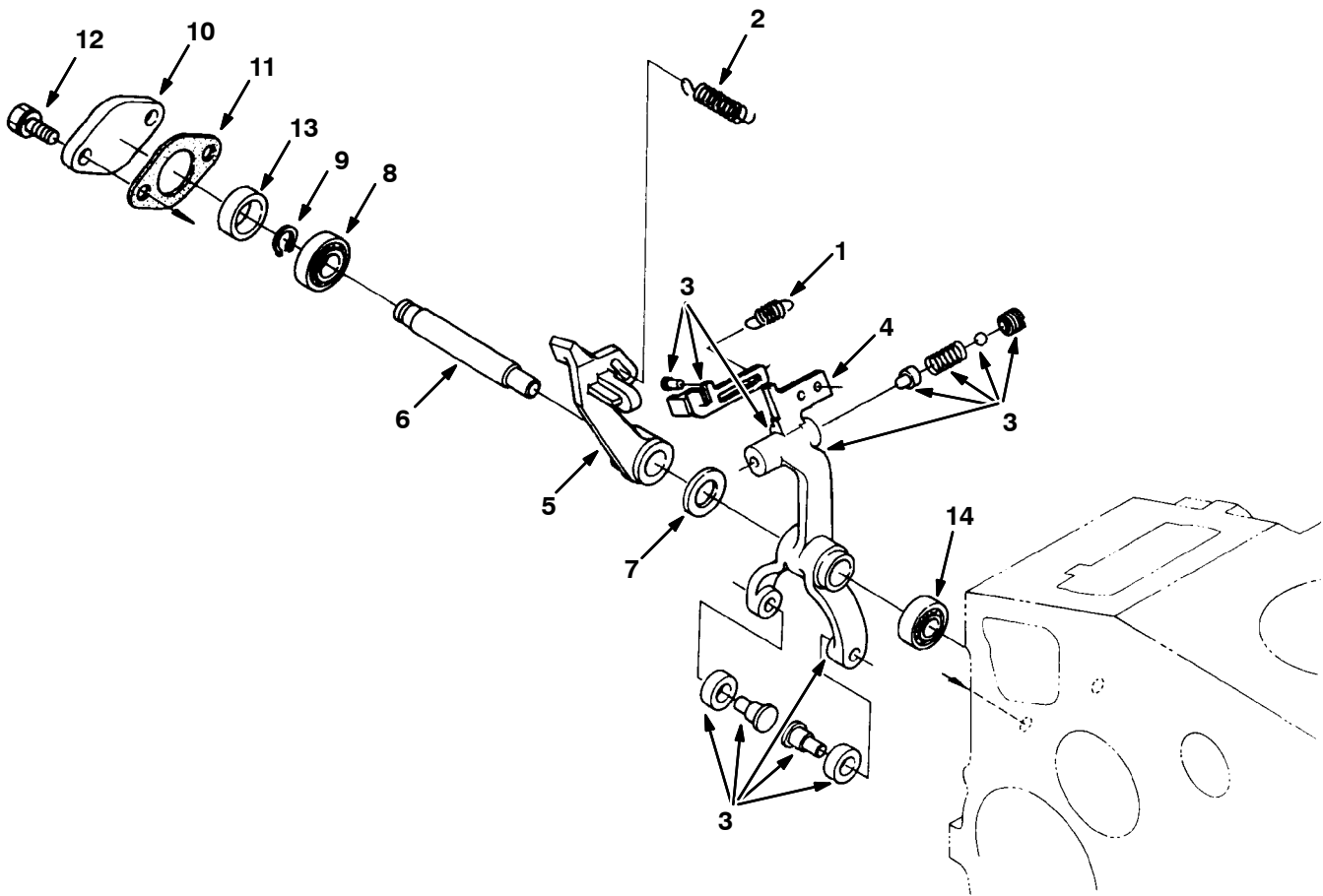
Ref.	Part No.		Description	Qty.
1	368533	①	Stop KIT, Solenoid, Ci [ATLV 4300]	1
1	372855	②	Solenoid Kit, Stop, Eng, Dsl, Replmt	1
2	70165		Gasket, Throttle Blk	1
3	39160		Bolt	2

① Machine Serial number (000000-001824)

② Machine Serial number (001825- )

# TURBO ENGINE BREAKDOWN

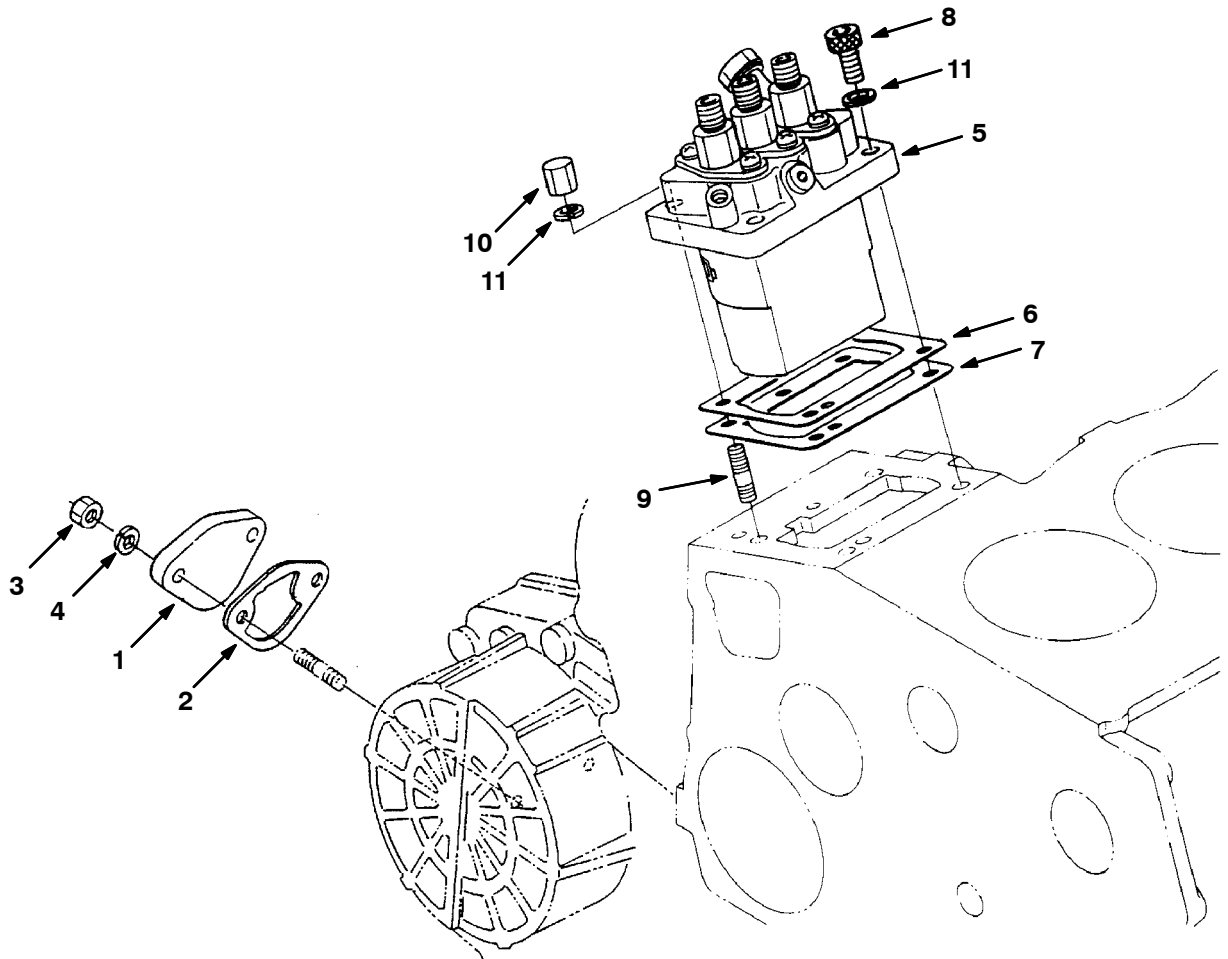
Fig. 16 - Governor Group



350207 - 4300D

Ref.	Part No.	Description	Qty.
1	368071	Spring, Start	1
2	70986	Gov. Spring	1
▽ 3	73627	Lever, Assy	1
▲ 4	368070	Comp. Lever, Fork	1
▲ 5	73628	Lever, Fork 2	1
▲ 6	73629	Shaft, Lever	1
▲ 7	70988	Plain Washer	1
▲ 8	70989	Ball Bearing	1
▲ 9	73630	Cir-Clip, Ext	1
10	73631	Cover, Lever	1
11	361430	Gasket	1
12	39160	Bolt	2
13	70991	Collar	1
14	70992	Ball Bearing	1

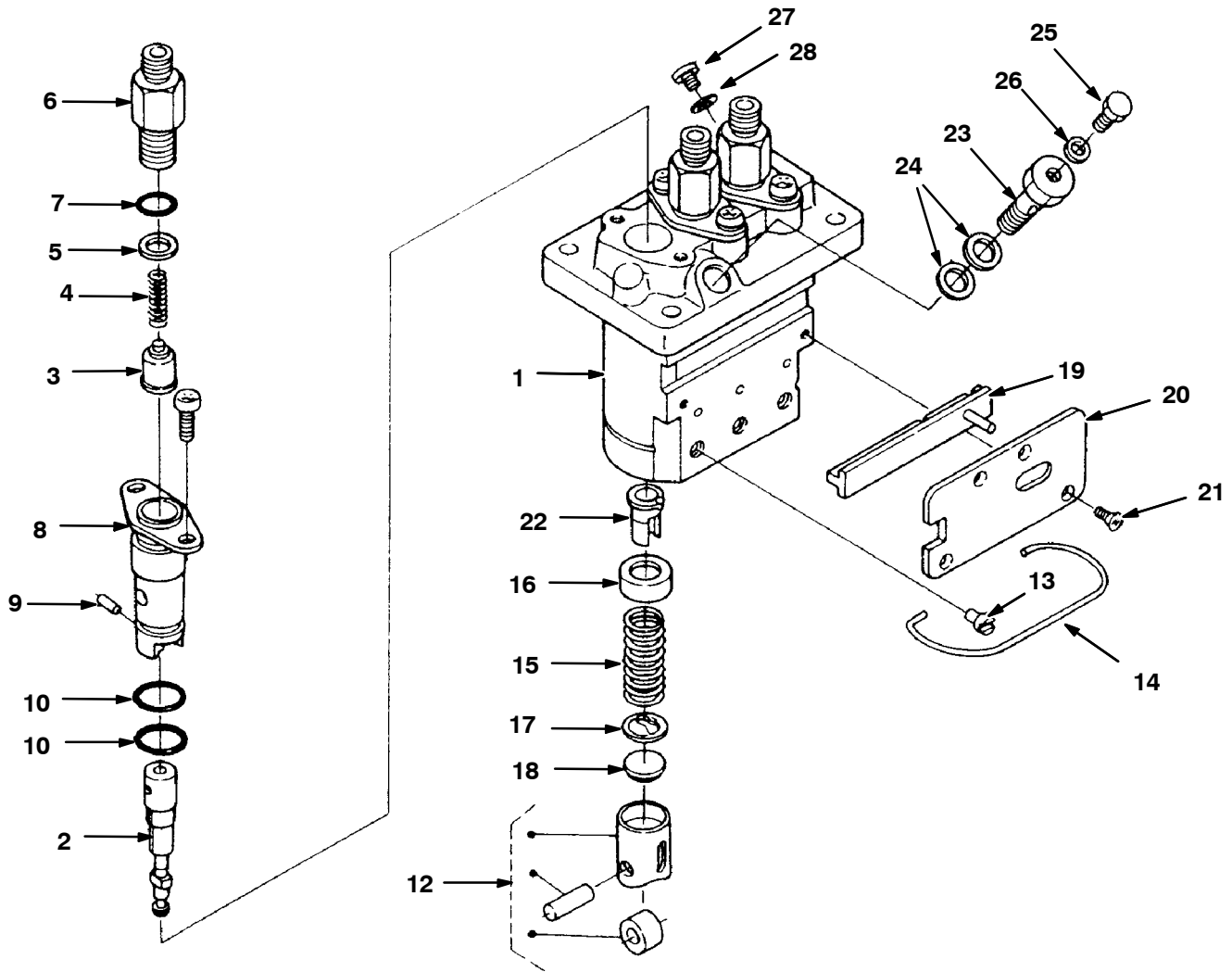
**Fig. 17 - Injection Pump Group**



350205 - 4300D

Ref.	Part No.	Description	Qty.
1	73565	Cover, Hole, Pump, Fuel [Ku]	1
2	70974	9r, Gasket, Pump, Fuel [Ku]	1
3	39121	Nut, Hex [Ku]	2
4	39065	Washer, Lock, Split [Ku]	2
5	361378	Pump Assy, Injection, Fuel [Ku]	1
6	368063	Shim, Injection, 0.20mm [Ku]	1
7	368064	Shim, Injection, 0.25mm [Ku]	1
7	361438	Shim, Pump, Injection, .3 [Ku]	1
8	361361	Screw, Soc [Ku]	2
9	73562	Stud [Ku]	2
10	73606	Nut, Hex [Ku]	2
11	39065	Washer, Lock, Split [Ku]	4

Fig. 18 - Injection Pump Breakdown

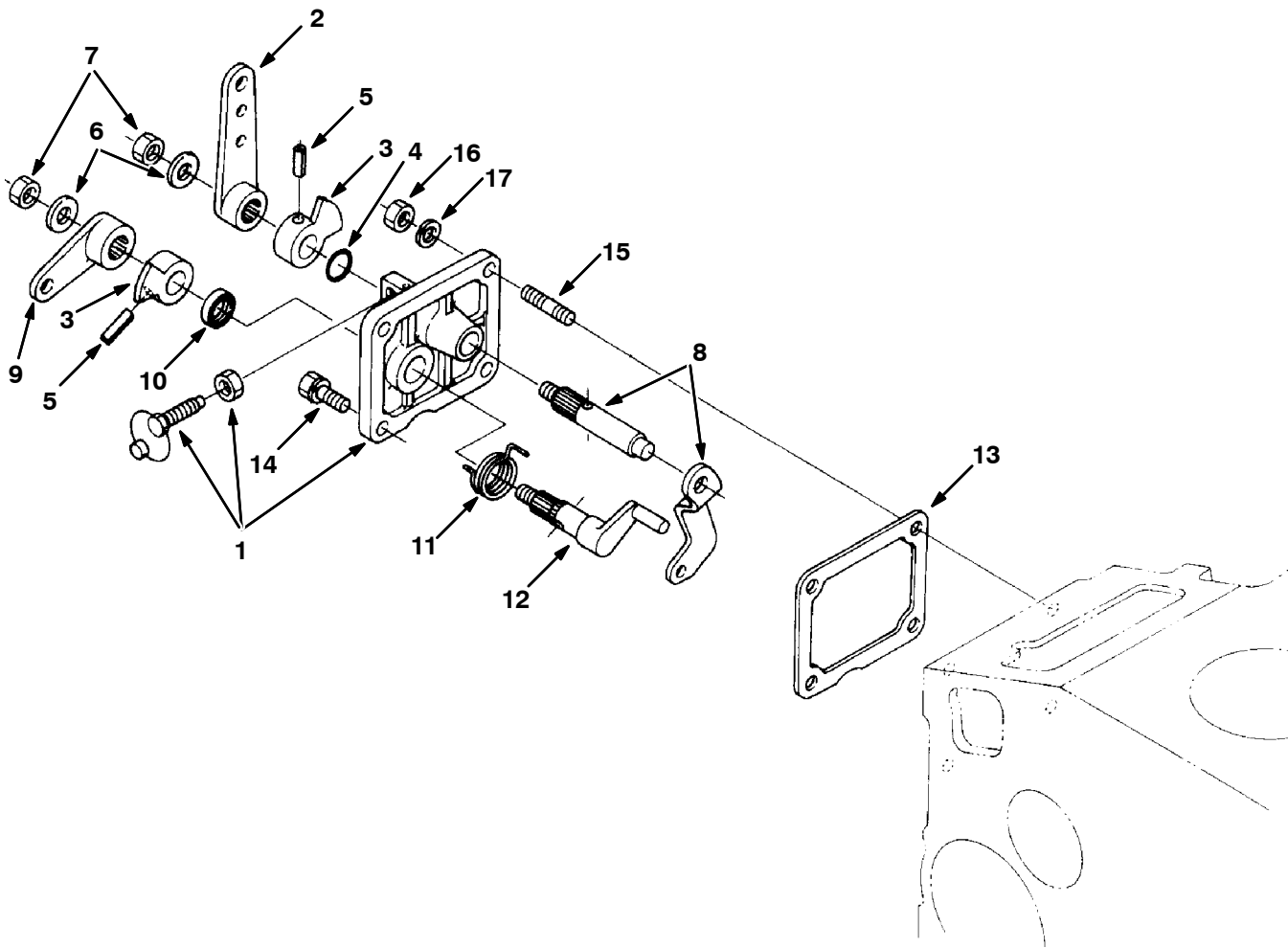


**Fig. 18 - Injection Pump Breakdown**

	<b>Ref.</b>	<b>Part No.</b>	<b>Description</b>	<b>Qty.</b>
▽	1	361378	Assy pump, injection	1
▲	2	84648	Element, pump	1
▲	3	73567	Valve, delivery	1
▲	4	73568	Spring, deliv valve	2
▲	5	73569	Gasket, deliv valve	1
▲	6	73570	Holder, deliv valve	1
▲	7	73571	O ring	1
▲	8	73572	Flange, sleeve	2
▲	9	73573	Pin, joint	2
▲	10	73574	O ring	2
▲	11	73575	Screw	4
▲	12	73576	Assy tappet	1
▲	13	73577	Pin, tappet guide	1
▲	14	368067	Pin, clamp	1
▲	15	73579	Spring,plunger	2
▲	16	73580	Seat, spring upper	1
▲	17	73581	Seat, spring lower	1
▲	18	73582	Shim	1
▲	19	368069	Rack, control	2
▲	20	368066	Plate	2
▲	21	73585	Screw	2
▲	22	73586	Sleeve, control	4
▲	23	84651	Bolt, joint	1
▲	24	73588	Gasket	1
▲	25	73589	Screw	1
▲	26	73590	Gasket	2
▲	27	368068	Plug	1
▲	28	368065	Gasket	1

# TURBO ENGINE BREAKDOWN

Fig. 19 - Speed Control Plate Group

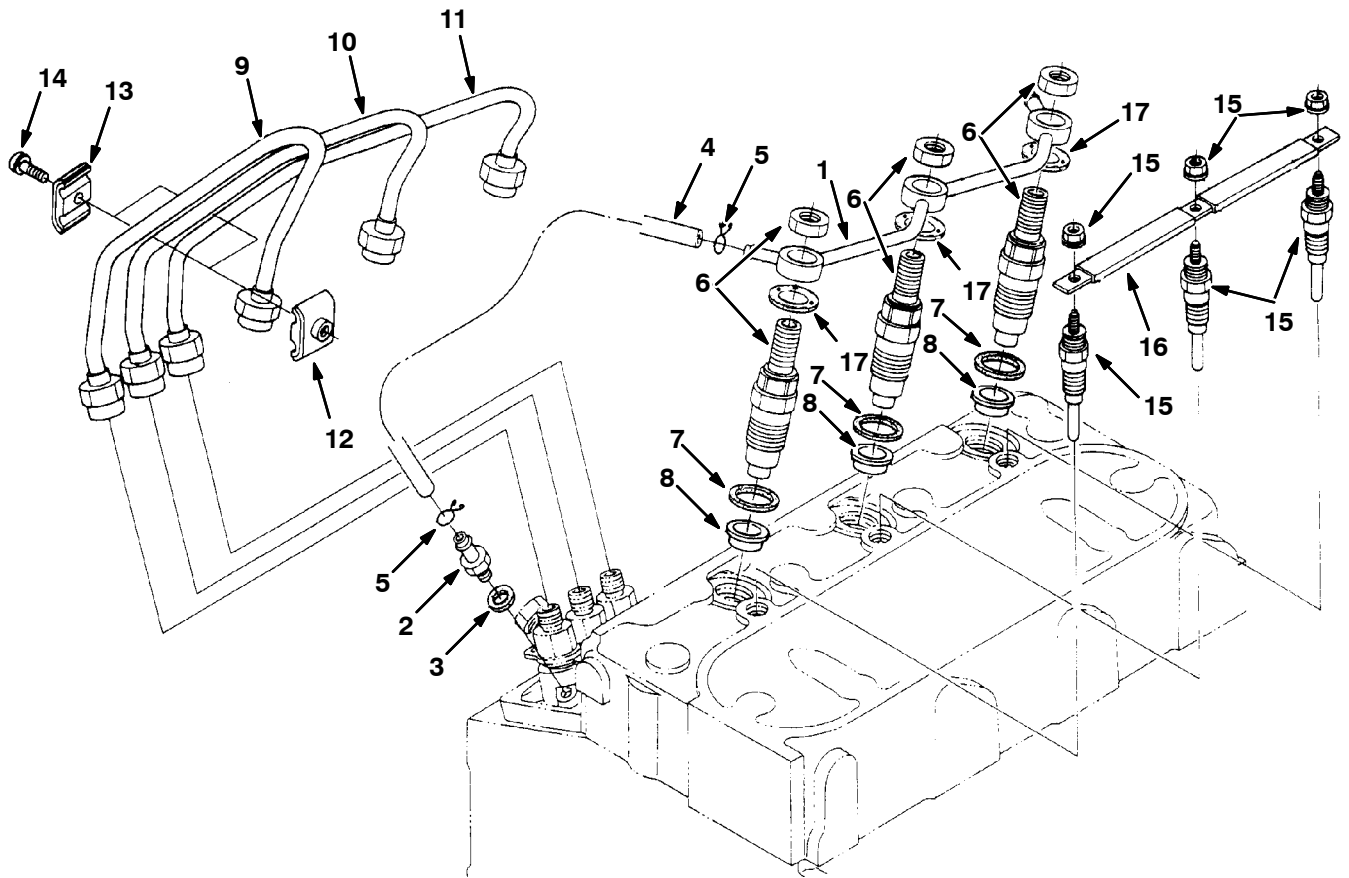


350209 - D

Ref.	Part No.	Description	Qty.
▽	1 70982	Plate Assy, Control	1
▲	2 73618	Spd.Cntl.Lever	1
▲	3 73619	Spd.Cntl.Lever	2
▲	4 73620	O-Ring	1
▲	5 40407	Pin, Spring	2
▲	6 73621	Washer, Plain	2
▲	7 73622	Nut	2
▲	8 73623	Lever, Comp	1
▲	9 73624	Lever, Eng Stop	1
▲	10 70983	Oil Seal	1
▲	11 73625	Spring, Return	1
▲	12 73626	Shaft, Lever	1
	13 70984	Gasket	1
	14 41973	Bolt	2
	15 72018	Stud	2
	16 39121	Nut	2
	17 39065	Washer, Spring	2



**Fig. 20 - Nozzle Holder and Glow Plug Group**



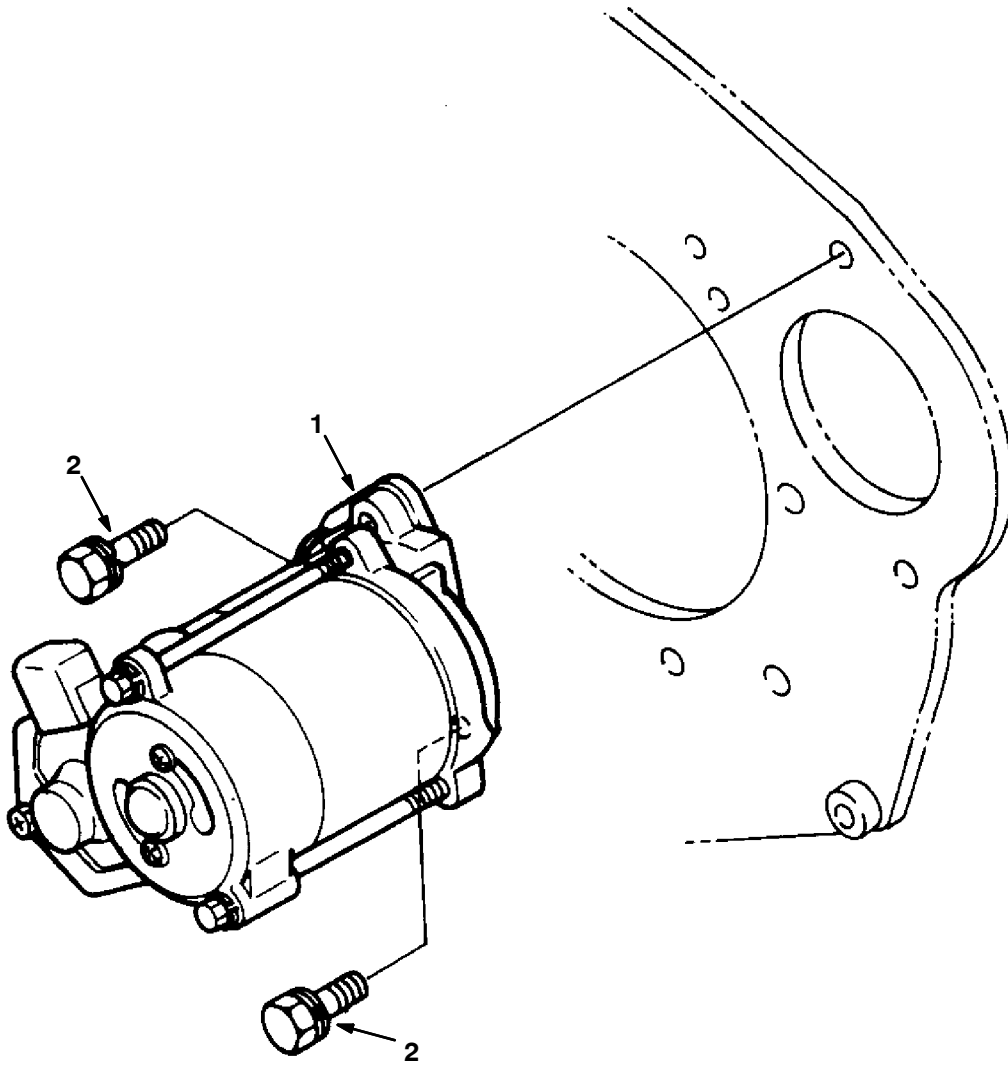
350211 - D

Ref.	Part No.	Description	Qty.	
1	361415	Pipe Assy,Oflow	1	
2	73555	Screw	1	
3	40166	Gasket	1	
▽	4	361373	Pipe Assy	1
▲	5	361368	Clip,Pipe	2
6	393674	① Holder, Assy, Nozzle	3	
6	372917	② Housing Assy, Nozzle	3	
7	70964	Gasket	3	
8	20719	Seal, Heat	3	
9	70965	Inject.Pipe 1	1	
10	70966	Inject.Pipe 2	1	
11	70967	Inject.Pipe 3	1	
12	30131	Clamp, Pipe1	2	
13	30132	Clamp, Pipe2	2	
14	39508	Screw	2	
15	84638	Glow Plug	3	
16	361418	Cord,Glow Plug	1	
17	370727	Gasket	3	

① Kubota Serial number (Wxxxxx-3xxxxxx)

② Kubota Serial number number ( 4xxxxx- )

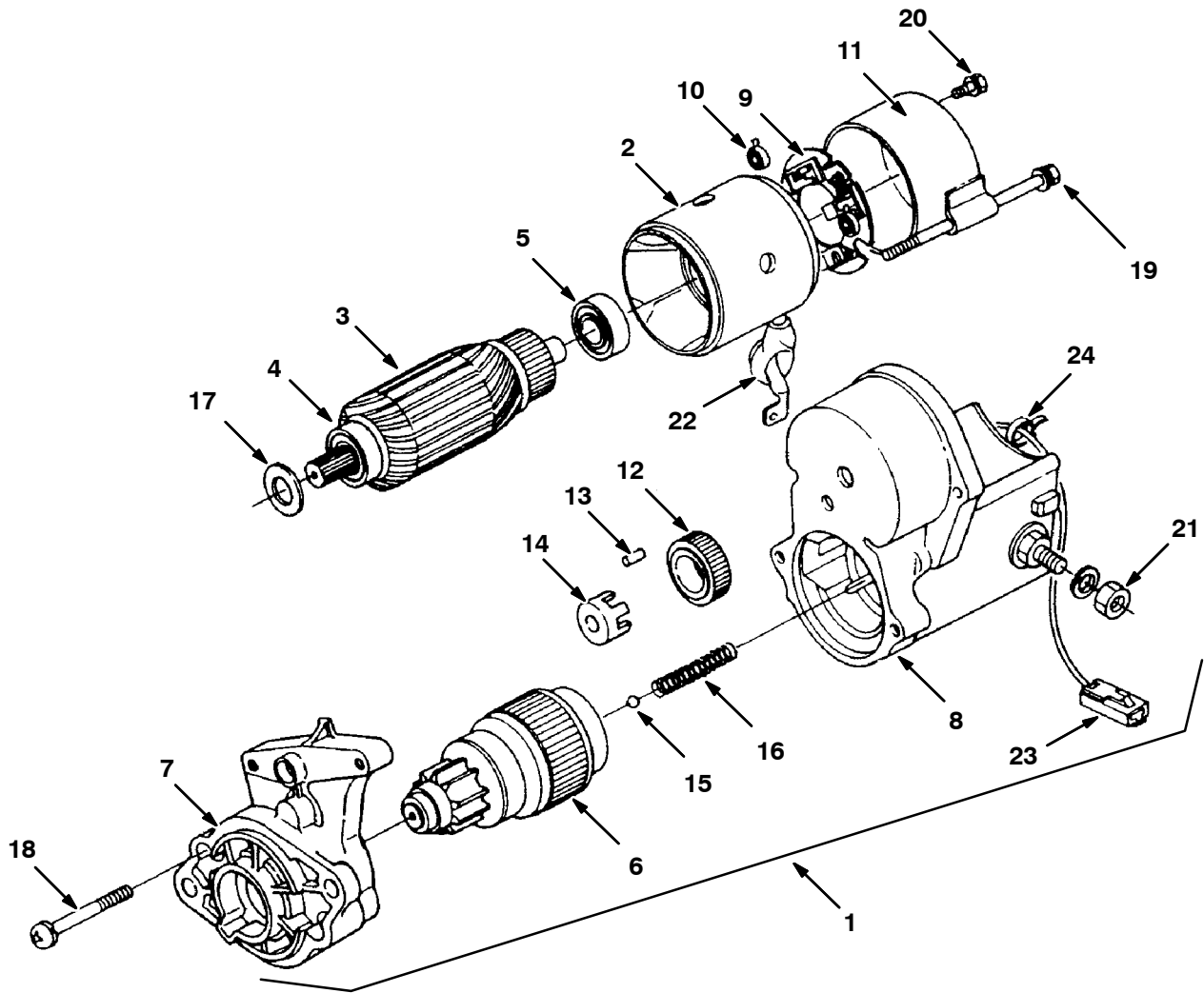
Fig. 21 - Starter Group



**Fig. 21 - Starter Group**

<b>Ref.</b>	<b>Part No.</b>	<b>Description</b>	<b>Qty.</b>
1	361349	Starter, 12vdc [Ku]	1
2	73535	Screw, Hex [Ku]	2

Fig. 22 - Starter Breakdown

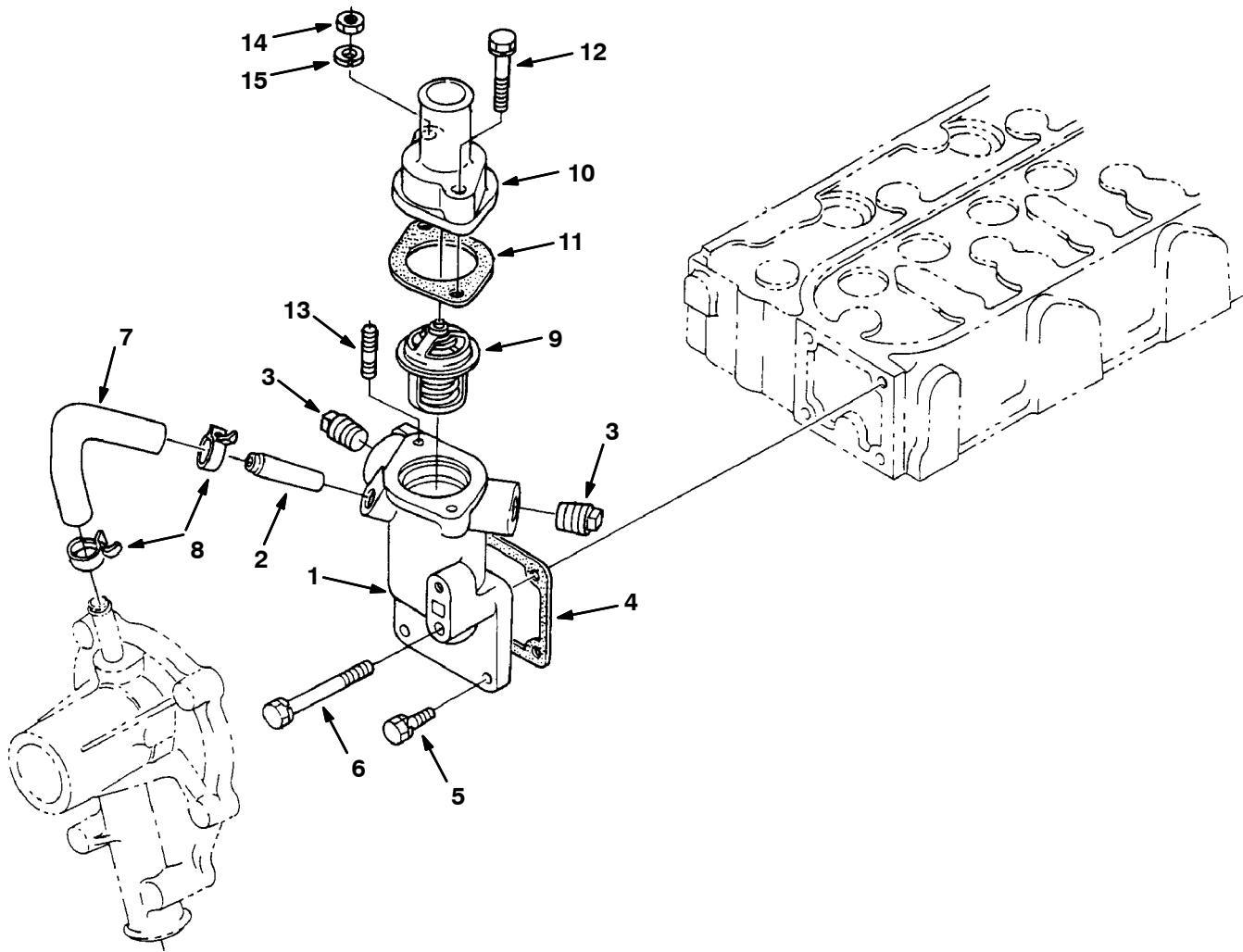


**Fig. 22 - Starter Breakdown**

	<b>Ref.</b>	<b>Part No.</b>	<b>Description</b>	<b>Qty.</b>
▽	1	361349	Assy, Starter	1
▲	2	368088	Yoke	1
▲▽	3	368083	Armature	2
▲▲	4	368085	Bearing, ball	1
▲▲	5	73538	Bearing, ball	3
▲	6	70961	Clutch	1
▲	7	73539	Housing	1
▲	8	361351	Switch, magnetic	2
▲▽	9	361352	Holder, brush	1
▲▲	10	40442	Spring, brush	1
▲	11	73543	Frame, end	1
▲	12	40457	Gear	1
▲	13	73544	Roller	1
▲	14	73545	Retainer	1
▲	15	73546	Ball	1
▲	16	73547	Spring	1
▲	17	368087	Washer, felt	1
▲	18	73548	Screw, Pan Head	2
▲	19	73549	Bolt, through	1
▲	20	73550	Bolt	3
▲	21	73551	Nut, hexagon	1
▲	22	73552	Cover, cord	1
▲	23	368086	Cord, stop solenoid	2
▲	24	368084	Band, cover	1

# TURBO ENGINE BREAKDOWN

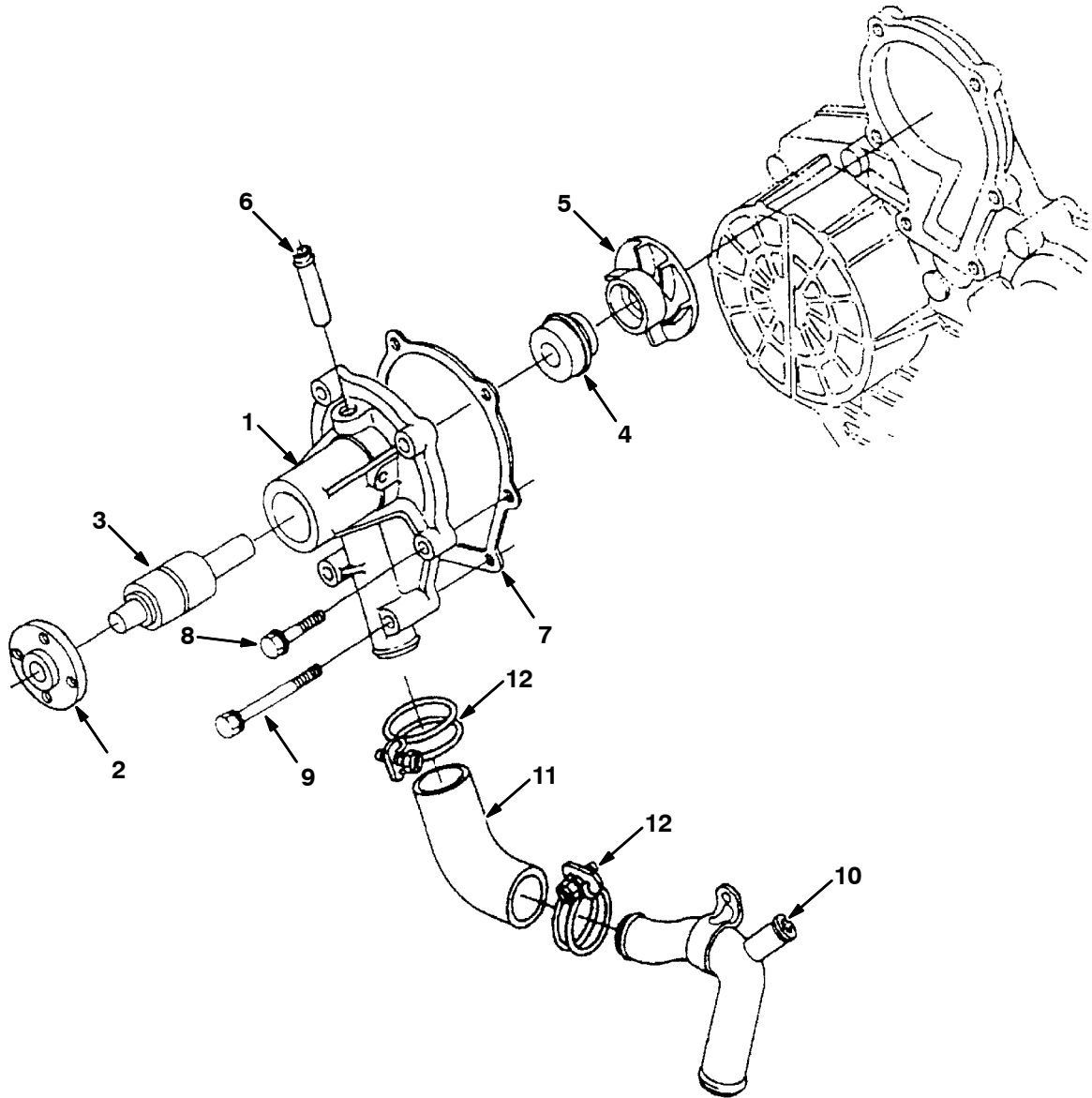
Fig. 23 - Water Flange and Thermostat Group



350215 - 4300D

Ref.	Part No.	Description	Qty.
1	368090	Water Flange	1
2	361440	Pipe,Water Retr	1
3	73632	Plug	2
4	70994	Gasket, Flange	1
5	41973	Bolt	3
6	72995	Bolt	1
7	73633	Pipe, Water Ret	1
8	73634	Band, Pipe	2
9	368089	Thermostat Assy	1
10	368091	Cover, Thermostat	1
11	368092	Gasket	1
12	40418	Bolt	1
13	361402	Stud	1
14	39121	Nut	1
15	39065	Washer, Spring	1

**Fig. 24 - Water Pump Group**

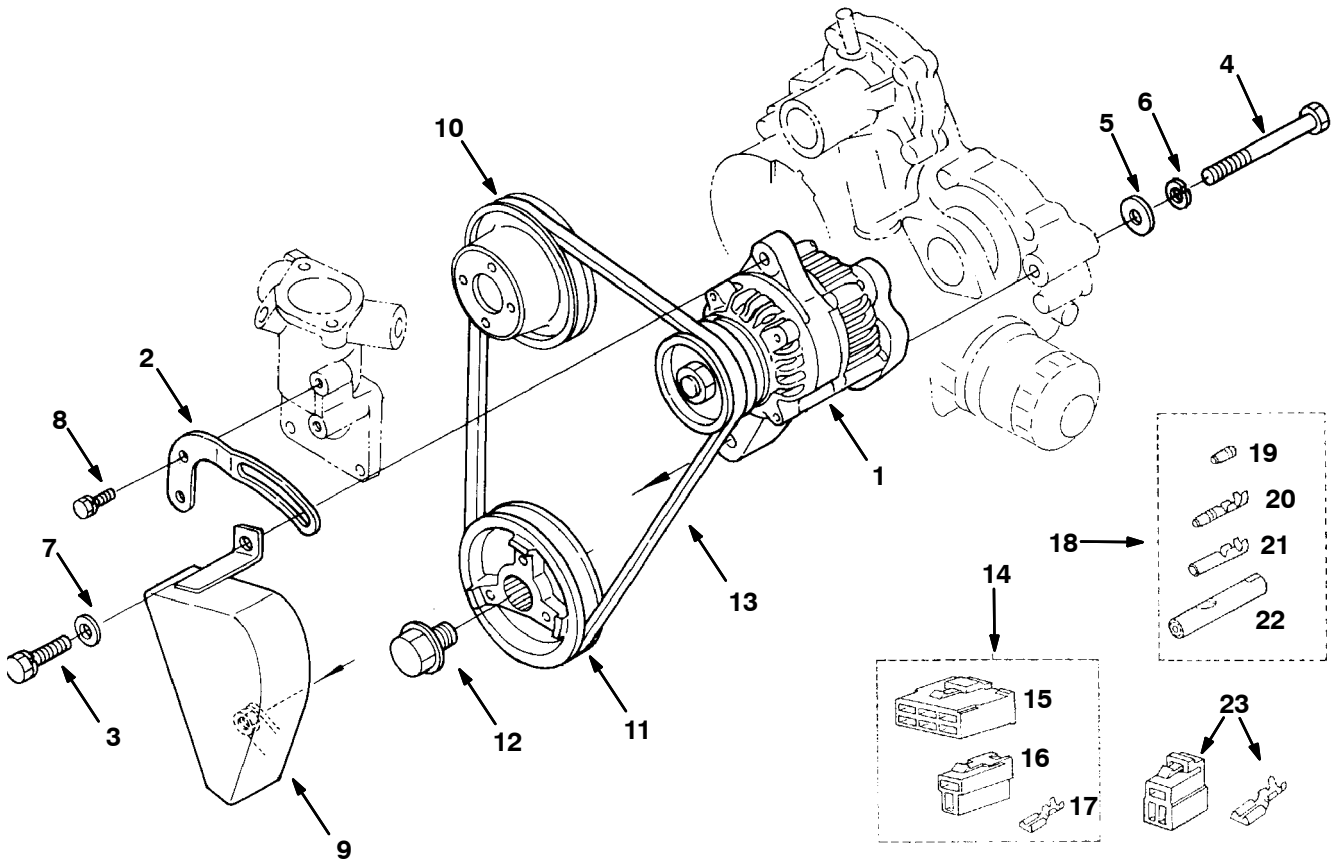


350217 - 4300D

Ref.	Part No.	Description	Qty.	
▽	1	361400	Pump, Water	1
▲	2	70919	Wtr.Pmp.Flinge	1
▲	3	70915	Ball Bearing	1
▲	4	70916	Seal, Water Pump	1
▲	5	70917	Impeller, Water Pump	1
▲	6	70918	Wtr.Retn.Pipe	1
	7	361419	Gasket, Pump, Water [Ku]	1
	8	72996	Bolt	4
	9	72997	Bolt	2
	10	368317	Hose, Water	1
	11	365111	Pipe, Water [Ku]	1
	12	365112	Clamp [Ku]	2

# TURBO ENGINE BREAKDOWN

Fig. 25 - Alternator and Pulley Group

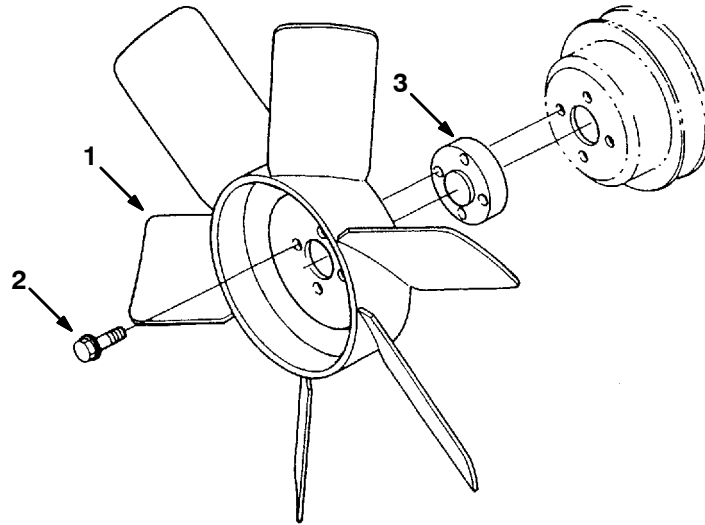


350219 - 4300D

Ref.	Part No.	Description	Qty.	
1	361387	Alternator	1	
2	361399	Stay,Dynamo	1	
3	73535	Bolt	1	
4	361360	Bolt	1	
5	361364	Washer,Plain	1	
6	39399	Washer, Spring	1	
7	361365	Washer,Plain	1	
8	41973	Bolt	1	
9	361434	Cover,Belt	1	
10	55847	Fan Pulley	1	
11	361386	Pulley,Fan Driv	1	
12	73532	Bolt	1	
13	368082	V-Belt	1	
▽	14	368072	Assy Coupler	1
▲	15	368074	Connector	1
▲	16	368075	Connector	1
▲	17	368078	Terminal	1
▽	18	368079	Assy Terminal	1
▲	19	368081	Terminal	1
▲	20	368077	Sleeve	1
▲	21	368080	Terminal	1
▲	22	368076	Sleeve	1
▲	23	368073	Assy Coupler, Lock	1



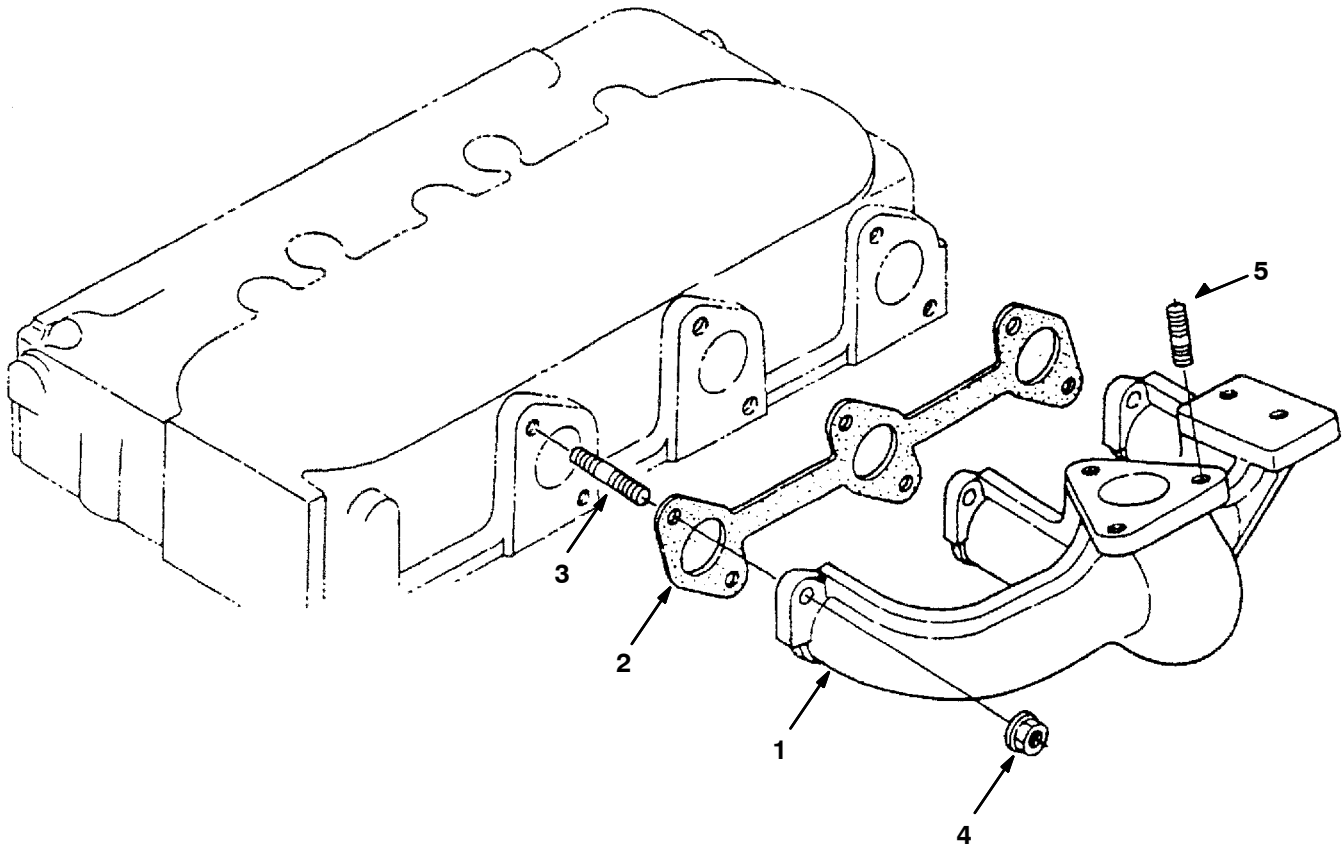
**Fig. 26 - Fan Group**



351856 - 4300D

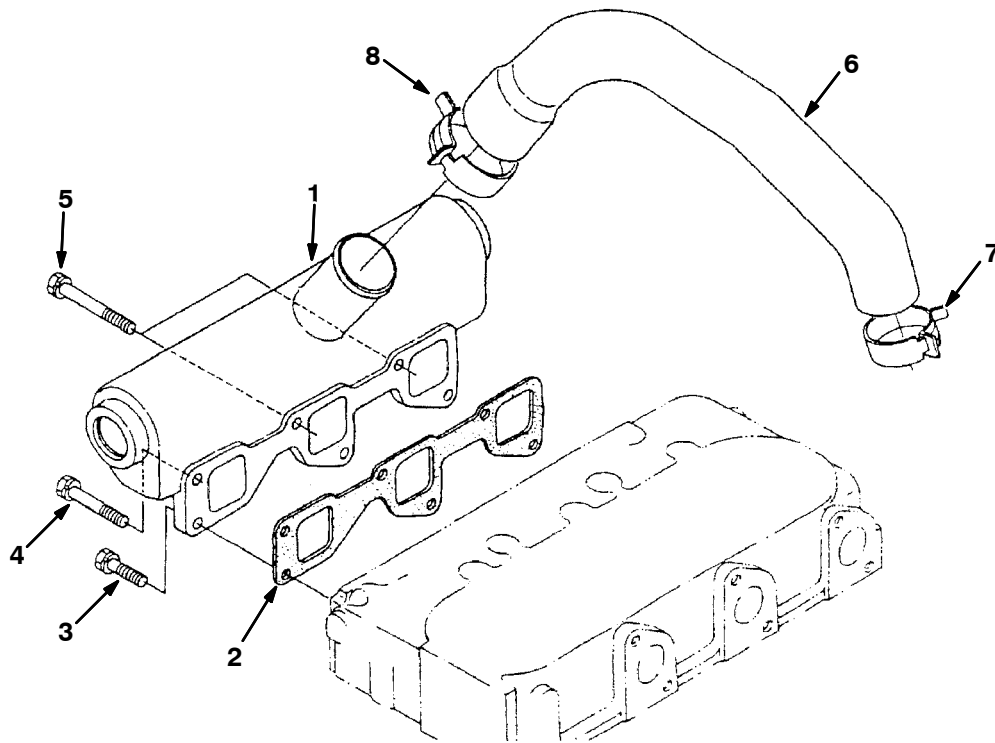
<b>Ref.</b>	<b>Part No.</b>	<b>Description</b>	<b>Qty.</b>
1	367262	Fan , suction	1
2	368096	Bolt	4
3	368097	Collar, fan spacer	1

**Fig. 27 - Exhaust Manifold Group**



Ref.	Part No.	Description	Qty.
1	361420	Manifold,Exh	1
2	361407	Gskt,Ex-Manifol	1
3	73488	Stud	6
4	361427	Nut	6
5	368291	Stud	3

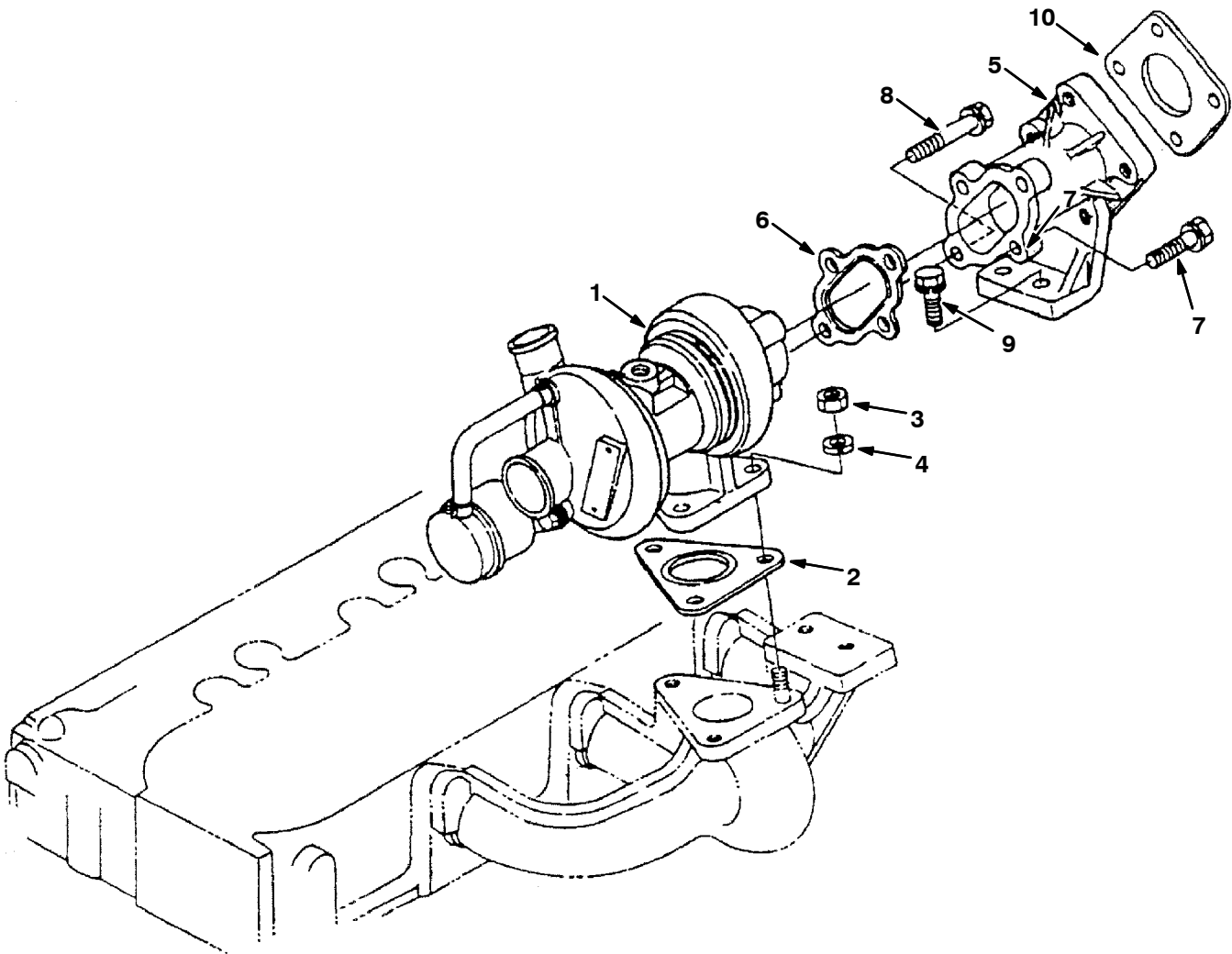
**Fig. 28 - Inlet Manifold Group**



	<b>Ref.</b>	<b>Part No.</b>	<b>Description</b>	<b>Qty.</b>
▽	1	368289	Manifold, Inlet	1
▲	2	368290	Gasket, Inlet Manifold	1
	3	39119	Bolt, Hex [Ku] 01023-50622	3
	4	72993	Screw, Hex [Ku] 01023-50645	1
	5	368285	Bolt	2
	6	368288	Hose, Inlet	1
	7	368287	Clamp, Hose	1
	8	368286	Clamp, Hose	1

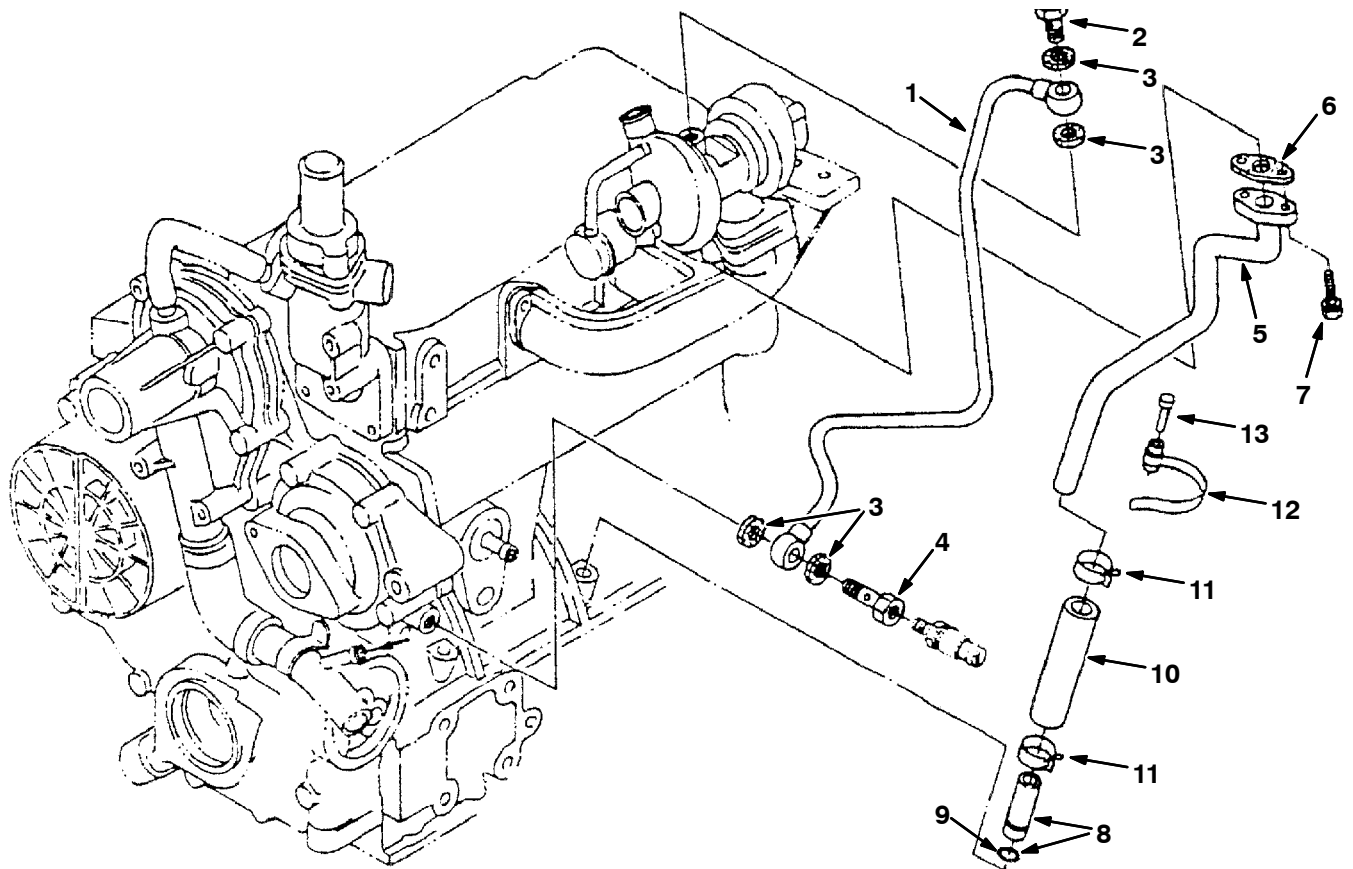
# TURBO ENGINE BREAKDOWN

Fig. 29 - Turbo Charger Group



Ref.	Part No.	Description	Qty.
1	368297	Turbocharger	1
2	368294	Gasket	1
3	39096	Nut	3
4	375057	Washer, Split Lock [Ku]	3
5	368296	Flange, Muffler	1
6	368295	Gasket	1
7	73535	Screw, Hex [Ku] 1123-50830	3
8	368293	Bolt	1
9	39138	Bolt	2
10	368312	Gasket, Muffler	1

**Fig. 30 - Oil Cooler Group**



Ref.	Part No.	Description	Qty.	
1	368310	Pipe, Oil	1	
2	368305	Bolt, Eye	1	
3	368300	Gasket	4	
4	368302	Bolt, Eye	1	
5	368309	Pipe	1	
6	368306	Gasket	1	
7	39119	Bolt, Hex [Ku] 01023-50622	2	
▽	8	368308	Pipe Assy, Oil	1
▲	9	361366	Seal, Org [Ku] 04814-00090	1
10	368301	Tube, Oil	1	
11	368298	Clamp, Hose	2	
12	368299	Clamp, Pipe	1	
13	368311	Pin, Clamp	1	



# SECTION 8

**CONTENTS**

**PAGE**

PART NUMBER TO PAGE NUMBER CROSS REFERENCE LIST ..... 8-2  
PART DESCRIPTION TO PAGE NUMBER CROSS REFERENCE LIST ..... 8-13

# CROSS REFERENCE

## PART NUMBER TO PAGE NUMBER CROSS REFERENCE LIST

Part Number	Page Number	Part Number	Page Number	Part Number	Page Number
00919	2-51, 4-17	06972	2-19, 2-43, 2-45	09200	2-53, 2-65, 3-13,
01272	3-18	07259	4-3		3-39, 3-43
01314	2-9, 2-11	07299	2-19	09228	3-17
01495	3-35	07514	3-3, 4-3	09737	2-53, 2-61, 3-14
01683	2-53, 2-55, 2-59,	07784	3-3, 3-9, 3-49	09739	2-55, 3-3
	2-65, 3-3, 3-33, 3-35,	07785	2-5	09740	2-5, 2-51, 2-59, 3-13,
	3-37, 3-39, 3-43, 3-49	07786	3-14		3-22, 3-33, 3-37,
01684	2-5, 2-7, 2-9, 2-11,	07790	2-19, 2-23		3-41, 3-47, 3-55, 3-57
	2-13, 2-17, 2-39,	07791	2-5, 2-15, 2-23, 2-37,	09767	2-29
	2-47, 2-53, 2-55,		2-39, 2-49, 2-61, 3-5,	09774	2-43
	2-57, 2-65, 3-3, 3-9,		3-13, 3-22, 3-59	09832	2-71
	3-25, 3-27, 3-33,	07792	3-53	10120	2-45
	3-35, 3-37, 3-41, 3-57	07813	3-33	1013031	2-29
01685	2-5, 2-7, 2-9, 2-41,	08178	3-29, 3-37, 3-41	1016827	2-31, 3-65
	2-47, 2-51, 2-59,	08181	2-61	1017126	2-31
	2-61, 2-63, 3-13,	08182	2-49, 2-61, 2-63,	1017826	2-3, 3-65
	3-14, 3-22, 3-25,		3-57	1019255	2-29
	3-27, 3-31, 3-33,	08236	2-55, 2-57	1019403	2-29
	3-35, 3-37, 3-39,	08350	3-29	1019526	2-5
	3-41, 3-43, 3-55, 3-57	08708	2-11, 2-13, 2-15,	1021966	2-7, 2-9
01686	2-5, 3-35, 3-53, 3-57		2-17, 2-23, 2-53,	1023853	2-35
01691	3-33		2-65, 2-73, 3-29,	1030146	2-43
01692	3-35		3-35, 3-49	1033578	2-5
01703	3-31	08709	2-19, 2-23, 2-25,	1035710	2-43
01704	4-3		2-27, 2-29, 2-35,	1039066	4-9
01714	2-71		2-39, 2-43, 2-47,	1040369	2-19
01754	2-15		2-55, 2-57, 2-59,	1040949	3-59
01760	2-59		2-63, 2-65, 3-14,	1041869	2-33
02015	2-39		3-25, 3-27, 3-29,	1043352	2-19
02363	3-39, 3-43		3-31, 3-47, 3-55,	1043657	3-21
02506-6	3-23		3-57, 3-61, 3-63	1045764	2-33, 2-35
02646	4-13	08711	2-5, 2-19, 2-21, 2-45	1045858	2-15, 3-3, 3-5, 3-57
02647	4-13	08712	2-47, 2-55, 2-57,	1046173	2-15, 3-3, 3-5, 3-57
02931	2-43		2-65, 3-25, 3-27,	1046176	3-3, 3-5, 3-57
02942	3-18		3-33, 3-37, 3-41	1046302	2-27, 3-63
03026	2-25, 2-27, 3-61,	08713	2-63, 3-25, 3-27,	1047140	2-9
	3-63		3-31, 3-33, 3-35,	1047317	2-11
03192	2-7, 2-9, 2-21		3-37, 3-39, 3-41, 3-43	1047326	2-39
03394	3-47	08714	2-5, 2-43	1047329	2-39
04375	2-59	08716	3-25, 3-27, 3-37,	1047595	2-39
04706	2-17		3-41	1047596	2-35
04843	3-25, 3-27, 3-29,	08793	3-37, 3-41	1048226	3-37, 3-41
	3-31	08875	3-13	1048315	2-7
06549	2-5, 3-13, 3-35	08886	2-85	1048350	2-27, 3-63
06942	2-11, 2-13, 2-15,	09007	2-65, 3-33, 3-41	1048839	2-27
	2-17, 2-19, 2-31,	09010	2-47, 2-63, 3-31,	1049173	2-9
	2-33, 2-35, 3-65		3-33, 3-35, 3-37,	1049174	2-9
06943	2-17, 2-23, 2-31,		3-41, 3-59	1049175	2-9
	2-35, 3-65	09011	2-47, 2-59, 3-39,	1049333	2-9
06944	2-11, 3-61		3-43	1049639	2-73, 4-27
06946	2-11	09023	3-25, 3-27	1050757	2-19
06947	3-35	09026	3-57	1050780	4-27
06952	2-73	09028	3-53, 3-57	1050812	4-27
06955	2-5, 2-23	09145	3-3	1050813	4-27
06958	2-43	09146	2-15	1050865	4-27
06961	2-21, 2-29	09164	2-23	1050869	4-27
06964	2-43	09196	2-7, 2-9	1052094	3-66
06971	2-21, 2-45			1052217	4-27



# CROSS REFERENCE

Part Number	Page Number	Part Number	Page Number	Part Number	Page Number
1052218	4-27	19066	2-11, 2-17, 2-23, 2-35, 3-5, 3-41	24339	2-43, 2-45
1052219	4-27	19252	2-21	24594	3-57
1052220	4-27	19312	2-11, 2-55, 2-57, 3-39, 3-43	24698	2-31, 3-65
1052221	4-27	19313	2-37, 2-39, 2-61	24729	2-55, 2-57
1052222	4-27	19324	2-5, 2-53	24976	2-25, 3-61
1052223	4-27	19676	3-37, 3-41	25312	3-16
1052224	4-27	20135	7-3	25737	3-29
1052225	4-27	20170	3-31	27184	3-11
1052226	4-27	20432	6-35	27979	2-39, 3-31
1054542	2-9	20433	6-35	27984	2-43
1058996	2-17	20719	5-33, 6-31, 7-31	27997	2-33, 2-35
10632-11	3-57	20802	2-11	29499	2-45
10632-9	3-3, 3-9	20839	3-41	29584	2-65
10664	2-75	20903	2-27, 3-63	30013	2-29, 2-51, 3-29, 3-33, 3-37, 3-41
10844	5-23, 7-21	21195	2-21, 2-75	30121	5-23, 6-21, 7-21
10845	5-23, 7-21	21916	4-25	30122	5-23, 6-21, 7-21
10851	6-36	21936	4-17	30125	5-13, 6-11
10895	5-3, 7-3	21951	4-13	30131	5-33, 7-31
11329	2-17, 3-41	21952	4-13	30132	5-33, 7-31
11399	2-33, 2-35, 3-59	21953	4-13	31592	2-37, 2-39
11531	2-29, 2-35, 3-3, 3-59	21963	4-19, 4-21, 4-23	31599	2-75
11635	2-11, 2-13	21966	3-25, 3-27	31602	2-67
11842	2-55, 2-57	222066	3-25, 3-27	31702	2-61
12271	2-15	222116	3-31	31922	3-3, 3-5
12273	3-25, 3-27	222117	3-49	32129	2-63, 3-33
12275	2-65	222196	2-49	32419	3-33
12316	3-3, 3-9	222290	2-15, 3-5, 3-11, 3-49	32483	2-13, 2-45, 2-51, 3-49
12333	2-47, 2-63, 3-31	222375	3-49	32485	2-21, 2-25, 2-29, 2-51, 2-55, 2-57, 2-59, 2-69, 2-75
12459	3-7	222460	2-23, 3-5, 3-25, 3-27, 3-29, 3-39, 3-43	32486	2-17, 2-19, 3-25, 3-27
13015	2-41	222497	2-29	32489	2-33, 2-35
13248	2-71, 3-47	222504	2-29	32490	2-11, 2-13, 2-15, 2-31, 2-33, 2-35, 2-47, 2-59, 2-71, 2-73, 2-75, 3-3, 3-61, 3-65
13513	2-71	222505	2-65, 3-25, 3-27	32491	2-5, 2-7, 2-9, 2-11, 2-13, 2-17, 2-19, 2-23, 2-25, 2-27, 2-29, 2-33, 2-35, 2-37, 2-39, 2-49, 2-51, 2-55, 2-57, 2-59, 2-61, 2-63, 2-65, 2-73, 3-14, 3-29, 3-31, 3-47, 3-61, 3-63
13902	4-25	222516	2-47, 2-55, 2-57, 2-63, 3-47, 3-57	32492	2-7, 2-9, 2-19, 2-21, 2-29, 2-33, 2-35, 2-43, 2-71, 2-75
13904	4-25	222639	2-35	32493	2-5, 2-43
13907	4-19, 4-21, 4-23, 4-25	222683	2-15	32508	3-47
14131	2-31	22290	2-17	32521	3-31, 4-3
14296	2-21	22297	2-25, 2-27, 3-61, 3-63	32536	2-59
14601	2-71	223163	2-71	32613	3-47
14605	3-29	223198	2-47	32614	3-47
15331	2-71	223515	3-49	32669	3-47
15555-2	2-31, 3-65	22663	4-11		
15675	3-14	22664	4-11		
15678	3-37, 3-41	22665	4-11		
15687	2-39, 3-59	22666	4-13		
15877	2-55, 2-57, 3-37, 3-41	22667	4-13		
16213	2-71	22668	4-13		
16447	2-65	22669	4-13		
16735	2-33, 2-35, 3-47	22671	4-25		
16931	2-7, 2-9, 2-17, 2-25, 2-27, 2-37, 2-39, 2-51, 2-55, 2-57, 2-61, 2-73, 3-5, 3-31, 3-59, 3-61, 3-63	22672	4-25		
16944	2-31	22673	4-25		
17185	3-3	22674	4-25		
17288	2-7, 2-9, 3-47	23788	2-47		
17461	2-55, 2-57	24012	2-29		
17980	3-59	24196	2-59, 3-3		
		24198	2-55, 3-5		
		24199	3-35, 3-49		

# CROSS REFERENCE

Part Number	Page Number	Part Number	Page Number	Part Number	Page Number
32746	2-15, 2-23, 2-53, 2-55, 2-57	361349	5-35, 5-37, 6-33, 6-35, 7-33, 7-35	361440	5-38, 6-37, 7-36
32981	2-31, 2-45, 2-55, 2-57, 2-71, 2-75, 3-39, 3-43	361351	5-37, 7-35	361589	6-19
32983	2-13, 2-61	361352	5-37, 7-35	361654	6-36
32984	2-39	361360	5-40, 6-38, 7-38	361980	2-43
32987	2-43	361361	5-29, 7-27	36438	3-5
32990	2-71	361363	5-21, 7-19	36439	3-5
330495	3-66	361364	5-40, 6-38, 7-38	364608	2-7
330510	3-66	361365	5-40, 7-38	364845	2-27, 3-63
330511	3-66	361366	5-15, 6-13, 7-13, 7-43	364889	2-71
330512	3-66	361368	5-33, 7-31	364972	2-37, 2-39, 3-59
330513	3-66	361369	5-5, 7-5	364993	2-67
33595	2-37, 2-39, 3-59	361370	5-5, 7-5	365111	7-37
33612	2-29	361371	6-3	365112	7-37
33671	3-55	361372	5-7, 6-7, 7-7	365113	3-49
33806	2-9, 2-11	361373	5-33, 6-31, 7-31	365190	3-65
33930	2-51, 3-33	361374	5-11, 5-13, 6-11, 7-11	366026	2-15
33932	3-17	361375	5-26, 6-24, 7-24	367017	2-19
33944	3-49	361377	5-25, 6-23, 7-23	367024	3-59
34065	2-75	361378	5-29, 5-31, 6-27, 6-29, 7-27, 7-29	367030	2-33
34252	3-14	361382	5-26, 6-24, 7-24	367033	2-45
34359	2-73	361386	5-40, 6-38, 7-38	367034	2-45
34813	2-15	361387	5-40, 6-38, 7-38	367039	2-43
34848	3-3	361389	6-9	367040	2-45
35886	2-43	361390	5-24, 6-22, 7-22	367047	2-31
35956	4-29	361392	5-21, 6-19, 7-19	367049	2-29
360081	3-25, 3-27	361393	5-7, 7-7	367050	2-29
360363	2-33	361394	5-7, 7-7	367051	2-25
360454	3-29	361397	5-9, 7-9	367052	2-25
360467	2-23	361399	5-40, 6-38, 7-38	367054	2-25
360471	2-21	361400	5-39, 7-37	367056	2-33, 2-35, 3-59
360520	2-23, 3-7	361401	5-9, 6-9, 7-9	367065	2-19
360521	2-15	361402	5-38, 7-36	367066	2-19
360707	2-25, 3-61	361405	5-43	367067	2-21
360708	2-25, 3-61	361406	5-43, 6-41	367069	2-75
360711	2-17	361407	5-42, 6-40, 7-40	367072	2-19
360721	2-19	361409	5-11, 7-11	367074	2-19
360801	2-7, 2-9, 2-63, 3-29, 3-31	361411	5-11, 5-13, 6-11, 7-11	367075	2-33
360813	2-19	361413	5-19, 7-17	367077	2-33, 2-35
360814	2-19	361414	5-19, 7-17	367079	2-3, 2-75
360826	2-65	361415	5-33, 6-31, 7-31	367081	2-45, 4-13
360867	2-17	361416	5-3, 6-3, 7-3	367085	2-43
360872	2-31, 3-65	361417	6-26	367092	2-43
360930	3-3	361418	5-33, 6-31, 7-31	367093	2-43
360959	2-21, 2-23, 2-31, 2-75	361419	5-39, 7-37	367096	2-43
360973	2-51, 2-53	361420	5-42, 6-40, 7-40	367105	2-51, 4-17
361024	2-37	361421	6-23	367106	2-73, 4-25
361032	3-59	361422	5-5, 6-5, 7-5	367107	2-69, 4-15
361050	2-67	361423	5-9, 7-9	367108	2-17
361075	2-15, 3-3, 3-17	361427	5-42, 6-40, 7-40	367110	2-67
361201	2-3, 2-25, 3-61	361428	6-13	367112	2-67
361323	2-25, 3-61	361428	6-13	367113	2-67
361324	2-25, 3-61	361430	5-28, 6-26, 7-26	367116	2-67
361325	2-25, 3-61	361431	5-5, 6-5, 7-5	367117	2-67
361339	3-16	361433	5-5, 6-5, 7-5	367119	2-67
		361434	5-40, 7-38	367120	2-67
		361435	5-24, 6-22, 7-22	367122	2-67
		361436	5-3, 6-3, 7-3	367123	2-67
		361438	5-29, 6-27, 7-27	367124	2-67
				367125	2-67
				367128	2-17, 4-11

# CROSS REFERENCE

Part Number	Page Number	Part Number	Page Number	Part Number	Page Number
367129	2-69, 4-19	367344	3-29	367574	2-37, 3-59
367131	2-51	367347	2-43, 3-25, 3-27	367576	2-37, 2-39
367136	2-47	367359	2-7, 2-9	367577	2-31
367139	2-15	367368	3-18	367578	2-5
367153	2-55, 2-57	367370	2-55, 2-57	367580	2-11
367154	2-55, 2-57	367375	2-55, 2-57	367581	2-9
367160	2-59	367376	2-51	367583	2-33, 2-35
367179	2-43	367381	3-18	367584	2-11
367183	2-11	367382	2-5	367585	2-35
367187	2-13	367383	2-23	367591	2-37, 2-39, 3-59
367217	2-61	367388	2-71	367592	2-33
367218	2-61, 2-63	367394	2-5	367595	2-7
367221	2-61	367395	2-5	367597	2-31, 3-65
367222	2-61	367400	2-84	367601	2-55
367225	2-5	367402	3-5	367605	3-3
367227	2-43	367403	3-3	367607	3-16
367235	2-43	367404	3-5	367609	3-17
367237	2-43	367406	3-57	367615	3-57
367239	3-19	367407	2-84	367618	3-14
367242	2-75	367411	2-21	367630	3-19
367245	2-75	367413	2-37	367637	2-43
367247	2-75	367416	2-31	367638	2-43
367249	2-31, 3-65	367417	2-31, 3-65	367639	2-45
367255	2-29	367421	2-31	367640	2-45
367262	5-41, 6-39, 7-39	367423	2-11	367641	3-7
367263	2-29	367445	2-85	367644	3-9
367264	2-31	367448	2-23	367657	2-61
367265	2-31	367451	2-23	367663	2-85
367284	2-47	367452	2-23, 2-47	367665	2-85
367285	2-47	367464	3-31	367673	2-13
367286	2-47	367465	3-31	367674	2-13
367287	2-47	367466	3-31	367676	2-13
367288	2-49	367477	3-25, 3-27	367677	2-17
367293	2-15	367479	3-25, 3-27	367679	3-17
367294	2-47	367481	3-25, 3-27	367680	2-55, 2-57
367295	2-47	367483	3-31	367681	3-3
367299	2-13	367484	2-61	367685	2-55
367301	2-63	367485	2-65	367690	3-25, 3-27
367302	2-63	367486	3-29	367691	3-25, 3-27
367305	2-65	367487	2-65	367692	2-3, 3-25, 3-27
367306	2-65	367493	3-33	367693	2-3, 3-25
367308	2-63	367502	2-47	367694	3-25, 3-27
367309	2-65	367513	2-13	367695	3-25, 3-27
367312	2-3, 2-65	367514	2-51	367703	2-63
367313	2-63	367519	2-73	367705	3-33
367314	3-55	367523	2-5	367709	3-31
367319	3-25, 3-27	367535	2-55, 2-57	367711	3-25, 3-27
367322	2-65	367542	3-25, 3-27	367712	2-65
367323	2-65	367546	2-63	367713	2-65
367327	3-29	367548	3-29	367714	3-31
367330	2-65	367549	2-61	367715	3-31
367334	3-29	367552	2-3	367716	2-65
367335	3-29	367553	3-33	367717	2-65
367336	3-31	367554	3-35	367718	3-33
367337	3-29	367558	3-55	367719	3-33
367338	3-31	367561	2-59	367720	3-33
367339	3-31	367562	2-11, 2-13	367721	2-3, 2-65
367340	3-29	367564	2-51	367727	2-59
367341	3-29	367567	2-55, 2-57	367731	2-51
367343	3-31	367573	2-7	367734	2-3, 2-59

# CROSS REFERENCE

Part Number	Page Number	Part Number	Page Number	Part Number	Page Number
367735	3-15	367883	2-5	367967	2-55, 2-57, 3-33
367736	3-15	367884	2-9	367968	2-55, 2-57
367740	3-14	367885	2-7	367971	3-33
367741	2-85	367888	2-59	367972	3-55
367745	2-55, 2-57	367889	2-13	367973	3-55
367746	2-59	367891	2-23	367974	3-35
367749	3-15	367892	2-9	367975	3-55
367757	2-43	367893	2-7	367977	3-39, 3-43
367759	2-43	367894	2-7, 2-9	367980	3-41
367760	2-51	367895	2-11	367982	3-37, 3-41
367765	3-3, 3-9	367896	2-11	367985	3-37, 3-41
367767	2-43	367897	2-5	367986	2-5
367768	3-13	367898	2-5	367987	2-51
367769	3-13	367899	2-9	367988	2-3
367770	2-17	367900	2-7	367989	2-3
367771	2-15	367903	2-59	367990	2-3
367774	3-20	367904	2-13	367991	2-3
367776	3-20	367906	2-23	367992	2-3
367779	3-31	367907	2-9	367993	2-51
367782	3-25, 3-27	367908	2-7	367994	3-37, 3-41
367785	3-35	367909	2-7, 2-9	367998	3-15
367796	2-45	367910	2-11	368002	3-19
367798	2-13	367911	2-11	368009	3-20
367799	2-13	367912	2-5	368016	2-53
367800	2-11	367913	2-5	368018	2-3
367812	2-7, 2-9, 3-11	367914	2-9	368019	3-57
367813	2-31	367915	2-7	368020	3-57, 4-29
367817	2-35	367918	2-59	368022	2-55
367818	3-59	367919	2-13	368025	3-15
367819	2-35	367921	2-23	368027	3-15
367823	2-35	367922	2-9	368035	2-53
367827	2-39	367923	2-7	368038	2-53
367833	2-5	367924	2-7, 2-9	368041	3-35
367834	2-5	367925	2-11	368048	2-59
367835	2-9	367926	2-11	368049	3-53
367836	2-7	367927	2-5	368050	5-3
367839	2-59	367928	2-5	368051	5-5, 7-5
367840	2-13	367929	2-9	368052	5-7, 7-7
367842	2-23	367930	2-7	368053	5-7, 7-7
367843	2-9	367933	2-59	368054	5-9, 7-9
367844	2-7	367934	2-13	368055	5-9, 7-9
367845	2-7, 2-9	367936	2-23	368056	5-14, 6-12, 7-12
367846	2-11	367937	2-9	368057	5-14, 7-12
367847	2-11	367938	2-7	368059	5-14, 6-12, 7-12
367849	2-51	367939	2-7, 2-9	368060	5-23, 6-21, 7-21
367864	2-55, 2-57	367940	2-11	368061	5-25, 7-23
367866	2-5	367941	2-11	368063	5-29, 6-27, 7-27
367867	2-5	367942	2-67	368064	5-29, 6-27, 7-27
367868	2-5	367943	2-67	368065	5-31, 6-29, 7-29
367869	2-9	367944	2-67	368066	5-31, 6-29, 7-29
367870	2-7	367946	3-3, 3-9	368067	5-31, 6-29, 7-29
367873	2-59	367947	2-65	368068	5-31, 6-29, 7-29
367874	2-13	367949	3-13	368069	5-31, 6-29, 7-29
367876	2-23	367950	3-13	368070	5-28, 7-26
367877	2-9	367952	3-13	368071	5-28, 7-26
367878	2-7	367957	3-9	368072	5-40, 7-38
367879	2-7, 2-9	367958	3-9	368073	5-40, 7-38
367880	2-11	367959	3-33	368074	5-40, 7-38
367881	2-11	367961	2-65	368075	5-40, 7-38
367882	2-5	367966	3-33	368076	5-40, 7-38

# CROSS REFERENCE

Part Number	Page Number	Part Number	Page Number	Part Number	Page Number
368077	5-40, 7-38	368165	3-57	368307	3-59
368078	5-40, 7-38	368175	2-5	368308	7-43
368079	5-40, 7-38	368176	2-51	368309	7-43
368080	5-40, 7-38	368177	2-55, 2-57	368310	7-43
368081	5-40, 7-38	368178	2-51	368311	7-43
368082	2-3, 5-40, 7-38	368180	2-29	368312	7-42
368083	5-37, 7-35	368182	3-57	368316	3-18
368084	5-37, 6-35, 7-35	368183	3-57	368317	7-37
368085	5-37, 7-35	368188	2-47	368318	3-37
368086	5-37, 6-35, 7-35	368192	3-7	368327	2-43
368087	5-37, 7-35	368193	3-7	368329	3-45
368088	5-37, 7-35	368194	3-59	368332	2-43
368089	5-38, 7-36	368196	3-35	368333	2-53, 3-39, 3-43, 3-45
368090	5-38, 6-36, 7-36	368197	3-39, 3-43	368336	2-43
368091	5-38, 6-36, 7-36	368204	2-23	368339	3-37, 3-41
368092	5-38, 7-36	368208	3-35	368340	3-37
368096	5-41, 6-39, 7-39	368209	3-61, 3-63	368341	3-37
368097	5-41, 6-39, 7-39	368210	3-61	368349	2-51
368098	5-21, 7-19	368211	3-61	368351	3-35
368099	2-29, 5-42, 6-40	368219	3-65	368355	3-35
368104	3-53	368221	3-37, 3-41	368356	3-33
368105	2-59	368222	3-37, 3-39, 3-41, 3-43	368357	4-3
368106	3-45	368224	3-39, 3-43, 3-45	368358	4-3
368107	2-3, 2-53	368226	2-35	368359	2-43
368108	2-53	368227	3-65	368360	2-43, 4-3
368110	4-29	368231	2-9, 3-11	368363	3-41
368111	4-29	368233	2-9, 3-11	368364	2-47
368112	4-29	368235	2-9	368365	2-47
368113	4-29	368236	3-65	368367	2-47
368114	4-29	368237	3-27	368382	3-39, 3-43, 3-45
368115	4-29	368238	3-27	368391	2-59
368116	4-29	368246	3-59	368392	3-39, 3-43
368117	4-29	368247	3-59	368396	3-11
368118	4-29	368253	3-37	368399	2-55, 2-57
368119	4-29	368254	3-37, 3-41	368400	2-55
368120	4-29	368262	2-51	368402	3-37, 3-41
368121	4-29	368263	3-37, 3-41	368403	3-37, 3-41
368122	4-29	368266	2-5	368404	2-55, 2-57
368123	4-29	368269	3-3	368405	3-37
368124	4-29	368285	7-41	368408	3-41
368125	4-29	368286	7-41	368409	3-41
368126	4-29	368287	7-41	368410	2-71
368127	4-29	368288	7-41	368411	3-41
368128	4-29	368289	7-41	368417	2-39, 3-59
368129	4-29	368290	7-41	368418	2-39
368130	4-29	368291	7-40	368422	2-43
368131	4-29	368293	7-42	368448	3-33
368132	2-35	368294	7-42	368450	3-41
368133	3-45	368295	7-42	368455	3-41
368135	2-5	368296	7-42	368459	3-41
368136	2-59	368297	7-42	368461	3-41
368138	2-13	368298	7-43	368487	3-11
368142	3-57	368299	7-43	368488	2-35
368143	3-55	368300	7-43	368489	2-35
368144	3-57	368301	7-43	368508	2-35
368150	2-65	368302	7-43	368532	2-11
368155	3-35	368303	3-59	368533	5-27, 7-25
368161	2-59	368305	7-43	368538	2-51
368162	2-29	368306	7-43	368539	2-51
368164	2-3				

# CROSS REFERENCE

Part Number	Page Number	Part Number	Page Number	Part Number	Page Number
368541	3-39, 3-43, 3-45	370918	4-7	373330	4-17
368543	3-51	370919	4-7	373331	4-17
368544	2-19	370921	4-7	373332	4-17
368552	2-59	371017	6-15	373333	4-17
368565	4-29	372855	5-27, 7-25	373334	4-17
368566	2-61	372900	5-13, 6-11	373335	4-17
368572	2-71	372901	5-13, 6-11	373336	4-19, 4-21, 4-23
368573	2-71	372903	5-7, 7-7	373337	4-19, 4-21, 4-23
368576	2-71	372904	5-13, 6-11	373338	4-19, 4-21, 4-23
368584	3-41	372906	6-7, 7-7	373339	4-19, 4-21, 4-23
368586	3-37, 3-41	372907	6-7, 7-7	373346	4-21, 4-23
368588	2-17	372910	5-43, 6-41	373387	2-69, 4-21
368600	2-85	372911	5-7	373389	4-21, 4-23
368601	2-84	372912	5-13	373390	4-21, 4-23
368602	2-15	372913	5-13, 6-11	373391	4-21, 4-23
368607	2-15	372914	5-13, 6-11	373392	4-21
368608	3-47	372915	5-7, 6-7	373393	4-21, 4-23
368612	3-47, 3-49, 3-51	372916	6-7, 7-7	373394	4-21, 4-23
368625	3-49	372917	5-33, 6-31, 6-32, 7-31	373395	4-21, 4-23
368626	3-47	372922	7-7	373396	4-21, 4-23
368630	3-47	372923	5-3, 6-3	373397	4-21
368631	3-47	372924	7-3	373398	4-21, 4-23
368642	2-57	372927	5-13, 6-11	373401	2-43, 4-9
368650	2-3	372928	5-13, 6-11	373402	4-21, 4-23
368652	3-5	373201	4-15	373425	2-69, 4-23
368653	3-22	373207	4-15	373429	4-23
368654	2-59	373208	4-15	373430	4-23
368657	3-5	373212	4-15	373431	4-23
368660	3-22	373214	4-25	373585	4-27
368662	2-59	373216	4-25	374269	6-25
368663	2-59	373217	4-13	375057	7-42
368666	2-63	373219	4-13	375059	6-27
368673	2-55, 2-57	373225	4-19	375409	3-25, 3-27
368676	3-21	373226	4-13	377433	2-15
368677	3-21	373236	4-13	378953	3-49
368679	3-41	373260	4-13	381391	2-35
368680	3-59	373276	4-15	382101	2-27, 3-63
369704	2-49	373296	4-19, 4-21	382138	3-49
370100	2-61, 3-31	373303	4-19	382209	2-35
370156	3-5, 3-11	373304	4-19	382269	2-71
370727	5-33, 7-31	373305	4-19, 4-21, 4-23	382287	3-59
370895	4-3	373306	4-19	382291	3-35
370898	4-3	373307	4-19	382298	3-47
370899	4-3	373308	4-19	382299	3-47
370900	4-3	373309	4-19	382410	3-47
370901	4-3	373310	4-19	382421	3-49
370902	4-3	373311	4-19	382423	3-49
370903	4-3	373312	4-9	382425	3-49
370904	4-3	373313	4-9	382426	3-49
370905	4-3	373314	4-9	382427	3-49
370906	4-3	373317	4-19, 4-21, 4-23	382433	3-49
370907	4-3	373318	4-9	382446	3-49
370909	4-3	373319	4-9	382493	2-27, 3-63
370910	4-3	373324	4-15	382511	2-71
370911	4-3	373325	4-15	382516	2-15
370913	4-7	373326	4-15	382628	2-71
370914	4-7	373327	4-19, 4-21, 4-23	38315	4-13
370915	4-7	373328	4-19, 4-21	383165	2-15
370916	4-7	373329	4-17	384859	6-36
370917	4-7			38490	4-13

# CROSS REFERENCE

Part Number	Page Number	Part Number	Page Number	Part Number	Page Number
388426	2-25	398258	4-5	46147	2-7, 2-9, 3-57
388500	6-32	398259	4-5	46480	2-45, 2-75
39005	2-13, 2-45, 2-47, 2-55, 2-57, 2-59, 3-25, 3-27	398260	4-5	46559	2-69
39051	5-3, 6-3, 6-9, 7-3	398261	4-5	46983	3-25, 3-27
39062	5-3, 6-3, 7-3	398262	4-5	47509	2-45
39063	5-3, 7-3	398263	4-5	47512	2-69
39065	5-9, 5-29, 5-32, 5-38, 6-27, 7-9, 7-27, 7-30, 7-36	398264	4-5	47566	2-27, 3-63
39073	5-7, 5-15, 6-7, 7-7, 7-13	398265	4-5	47585	2-17
39087	5-3, 6-3, 7-3	398266	4-5	47638	2-43
39088	5-3, 5-7, 6-3, 6-7, 7-3, 7-7	398267	4-5	47801	4-9
39094	5-5, 6-5, 7-5	398268	4-5	48079	2-45, 2-55, 2-57, 3-39, 3-43
39096	7-42	398269	4-5	48267	2-31
39103	5-9, 7-9	398270	4-5	48570	2-15
39119	5-17, 7-15, 7-41, 7-43	398271	4-5	48693	4-3
39121	5-9, 5-29, 5-32, 5-38, 7-9, 7-27, 7-30, 7-36	398272	4-5	48732	2-59
39138	7-42	398273	4-5	49034	2-61
39160	5-19, 5-27, 5-28, 7-17, 7-25, 7-26	398274	4-5	49263	2-15, 2-31
39162	5-11, 7-11	398275	4-5	49266	2-15, 2-71, 3-5
39197	5-19, 6-17, 7-17	398276	4-5	49766	2-19, 2-23
39234	4-3	398277	4-5	49914	2-59
39272	2-41	398347	2-3	50335	3-5
39277	2-7, 2-9, 2-11, 2-19, 2-23, 2-37, 2-39, 2-49, 2-51, 2-55, 2-57, 2-59, 3-25, 3-27, 3-29, 3-31, 3-59	398501	2-15	50388	2-21
39278	3-29, 3-31	398508	3-31	50821	2-5
39281	2-51, 3-25, 3-27	39987	2-71	50864	2-59
39283	2-19, 2-33, 2-35, 2-75	40166	5-26, 5-33, 6-24, 6-30, 6-31, 7-24, 7-31	51103	2-61, 2-63, 3-57
39285	2-71	40362	2-75	51176	2-21, 2-43
39311	2-55, 2-57	40407	5-32, 7-30	51305	2-33, 2-35
39346	2-43	40409	5-25, 5-43, 7-23	51322	2-37, 2-39
39349	2-21, 2-37, 2-39, 2-45, 2-53, 2-71, 3-5, 3-31, 3-59	40418	5-38, 7-36	51331	5-7, 6-7, 7-7
39350	2-29, 2-43, 2-55, 2-57	40442	5-37, 7-35	51417	4-13
393570	6-3	40457	5-37, 7-35	51564	2-21, 2-43
393614	6-13	40585	2-31, 3-65	51779	2-45, 2-75
393674	5-33, 7-31	41139	2-31	51780	2-37, 2-39
39399	5-40, 7-38	41142	2-21, 2-25, 2-49	51782	2-39, 2-45, 2-51, 2-73
39508	5-33, 6-31, 7-31	41178	2-61	51787	3-55
39658	2-15	41186	2-71, 3-31	51869	2-37
39703-2	2-3, 2-37, 2-39	41342	2-29, 2-55, 2-57, 2-63	52929	2-75
397889	2-15	41430	2-51, 2-71, 3-57	53076	2-69, 2-75
398205	2-55, 2-57	41445	2-21	53078	2-31, 3-65
398254	2-43, 4-5	41579	3-17	54093	2-5
398255	4-5	41792	5-5, 7-5	54274	2-29, 2-71
398256	4-5	41973	5-19, 5-32, 5-38, 5-40, 6-17, 6-23, 7-17, 7-30, 7-36, 7-38	54333	3-59
398257	4-5	42223	2-37, 2-39, 2-69	54395	2-33, 2-35
		43242	2-19, 2-23	55272	2-15, 3-5
		43844	2-31, 2-35, 3-49, 3-65	55685	2-17
		43952	2-37, 2-39, 3-59	55686	2-73
		44078	2-23	55845	3-37
		44238-5	2-59	55847	5-40, 6-38, 7-38
		44868	2-37, 3-59	55849	3-59
		44906	2-53, 2-65	55925	4-19, 4-21, 4-23
		44936	2-69, 2-73	55926	4-19, 4-21, 4-23
		44961	3-7	55931	4-19, 4-21, 4-23
		45223	3-11	56185	2-17
		45224	3-11	56186	2-15, 3-49
		45780	2-5	56690	2-75
				56827	2-69
				57167	2-15
				57248	3-47

# CROSS REFERENCE

Part Number	Page Number	Part Number	Page Number	Part Number	Page Number
57370	4-13	70201	6-35	70949	5-23, 6-15, 7-21
57373	4-13	70205	6-35	70950	5-23, 6-15, 7-21
57374	4-13	70207	6-35	70951	5-23, 7-21
57375	4-13	70208	6-35	70952	5-23, 7-21
57479	2-69	70209	6-35	70953	5-23, 7-21
57751	2-15, 3-3, 3-5, 3-57	70210	6-35	70954	5-23, 6-21, 7-21
57803	2-15, 3-3, 3-5, 3-57	70212	6-35	70955	5-23, 6-21, 7-21
57974	2-37	70213	6-35	70957	5-24, 7-22
57988	2-73	70622	2-17	70961	5-37, 7-35
58056	2-43	70709	2-17	70962	6-35
58286	2-19, 2-21	70717	2-17	70964	5-33, 6-31, 7-31
58346	2-25, 2-27, 3-61, 3-63	70756	3-31	70965	5-33, 6-31, 7-31
58494	2-59, 2-61, 2-63	70887	5-3, 6-3, 7-3	70966	5-33, 6-31, 7-31
58595	2-7, 2-9	70888	5-3, 6-3, 7-3	70967	5-33, 6-31, 7-31
58979	2-47	70891	5-5, 7-5	70974	5-29, 7-27
59009	2-13	70893	5-15, 6-13, 7-13	70975	5-25, 7-23
59015	2-31, 3-65	70894	5-15, 7-13	70976	5-25, 7-23
59159	3-35	70895	5-7, 7-7	70977	5-25, 6-23, 7-23
59563	2-67	70896	5-7, 7-7	70978	5-25, 6-23, 7-23
59658	2-71	70897	5-7, 6-7, 7-7	70979	5-25, 7-23
59672	2-49	70900	5-9, 6-9, 7-9	70980	5-26, 6-24, 7-24
59767	2-85	70901	5-9, 6-9, 7-9	70982	5-32, 6-30, 7-30
59892	2-35	70902	5-9, 6-9, 7-9	70983	5-32, 6-30, 7-30
60751	3-3	70903	5-9, 6-9, 7-9	70984	5-32, 6-30, 7-30
60752	2-15	70907	3-59, 5-14, 6-12, 7-12	70986	5-28, 6-26, 7-26
61923	3-5	70911	5-14, 6-12, 7-12	70988	5-28, 7-26
62595-18	2-7	70912	5-9, 6-9, 7-9	70989	5-28, 6-26, 7-26
62595	2-7	70913	5-13, 6-11	70991	5-28, 6-26, 7-26
63292	2-71	70915	5-39, 7-37	70992	5-28, 6-26, 7-26
63416	2-71, 3-31	70916	5-39, 7-37	70994	5-38, 6-36, 7-36
63468	3-49	70917	5-39, 7-37	70995	6-9
63736	2-21	70918	5-39, 7-37	70998	5-3, 6-3, 7-3
64153	3-25, 3-27	70919	5-39, 6-37, 7-37	70999	5-3, 6-3
64533	2-11	70920	6-37	71477	3-14
64655	2-17	70921	5-17, 7-15	71721	2-69
65145-1	2-69	70922	5-17, 7-15	71744	2-67
65221	2-3, 2-75	70923	5-17, 6-15, 7-15	71745	2-67
65222	2-75	70924	5-17, 7-15	71752	2-67
65695	3-37, 3-41	70925	5-17, 6-15, 7-15	71891	2-13
66185	2-29	70926	5-17, 7-15	71985	5-3, 6-3, 7-3
66204	5-23, 6-21, 7-21	70927	5-17, 7-15	71986	5-3, 6-3, 7-3
66207	5-23, 6-21, 7-21	70930	5-11, 7-11	71987	5-3, 6-3, 7-3
68567	2-65, 3-3, 3-15	70931	5-11, 7-11	71988	5-3, 6-3, 7-3
68866	2-71	70932	5-11, 7-11	71989	5-3, 6-3, 7-3
68872	2-41	70933	5-11, 7-11	71990	5-3, 7-3
68873	2-41	70936	5-21, 6-19, 7-19	71991	5-3, 6-3, 7-3
69234	2-19	70937	5-21, 6-19, 7-19	71992	5-3, 6-3, 7-3
69276	2-35	70938	5-23, 7-21	71993	5-3, 6-3, 7-3
69582	2-47	70939	5-23, 7-21	71995	5-5, 5-25, 6-19, 6-26, 6-30, 6-36, 6-38, 6-41, 7-5, 7-23
69659	2-23	70940	5-23, 7-21		
69954	3-25, 3-27, 3-29	70941	5-23, 6-21, 7-21	71996	5-7, 6-7, 7-7
70096	4-19, 4-21, 4-23	70942	5-23, 6-21, 7-21	71997	5-7, 6-7, 7-7
70100	4-19, 4-21, 4-23	70943	5-23, 6-21, 7-21	72010	5-7, 6-7, 7-7
70165	5-27, 7-25	70944	5-23, 7-21	72013	5-9, 7-9
70173	2-31, 3-65	70945	5-23, 6-17, 6-21, 7-21	72014	5-9, 7-9
70188	5-26, 6-24, 7-24			72015	5-9, 6-9, 7-9
70197	6-35	70946	5-23, 6-21, 7-21	72017	5-9, 7-9
70198	6-35	70947	5-23, 6-21, 7-21	72018	5-9, 5-32, 7-9, 7-30
70199	6-35	70948	5-23, 6-15, 7-21	72019	6-9



# CROSS REFERENCE

Part Number	Page Number	Part Number	Page Number	Part Number	Page Number
72140	3-14	73534	5-24, 6-22, 7-22	73623	5-32, 6-30, 7-30
72178	3-3	73535	5-35, 5-40, 6-33, 6-36, 7-33, 7-38, 7-42	73624	5-32, 6-30, 7-30
72728	2-71	73538	5-37, 7-35	73625	5-32, 6-30, 7-30
72970	2-27, 3-63	73539	5-37, 7-35	73626	5-32, 6-30, 7-30
72977	2-41	73543	5-37, 7-35	73627	5-28, 7-26
72993	5-9, 7-9, 7-41	73544	5-37, 6-35, 7-35	73628	5-28, 7-26
72994	5-9, 5-43, 6-9, 6-41, 7-9	73545	5-37, 7-35	73629	5-28, 7-26
72995	5-9, 5-38, 6-36, 7-9, 7-36	73546	5-37, 6-35, 7-35	73630	5-28, 7-26
72996	5-39, 5-43, 7-37	73547	5-37, 7-35	73631	5-28, 6-26, 7-26
72997	5-39, 7-37	73548	5-37, 7-35	73632	5-38, 7-36
72998	5-17, 6-15, 7-15	73549	5-37, 7-35	73633	5-38, 6-36, 7-36
72999	5-17, 6-15, 7-15	73550	5-37, 7-35	73634	5-38, 6-36, 7-36
73411	2-71	73551	5-37, 7-35	73901	2-9
73479	5-17, 6-15, 7-15	73552	5-37, 7-35	74098	4-13, 4-25
73481	5-11, 5-13, 6-11, 7-11	73555	5-33, 6-31, 7-31	74180	4-19, 4-21, 4-23
73482	5-11, 7-11	73562	5-29, 6-27, 7-27	74185	4-11
73483	5-11, 5-13, 6-11, 7-11	73563	6-27	74196	4-11
73484	5-11, 5-13, 6-11, 7-11	73565	5-29, 6-27, 7-27	74222	4-11
73485	5-11, 7-11	73566	5-31, 6-29, 7-29	74225	4-19, 4-21, 4-23
73488	5-42, 6-40, 7-40	73567	5-31, 6-29, 7-29	74226	4-19, 4-21, 4-23
73491	5-21, 6-19, 7-19	73568	5-31, 6-29, 7-29	74229	4-19
73492	5-21, 7-19	73569	5-31, 6-29, 7-29	74230	4-19, 4-21
73493	5-21, 6-19, 7-19	73570	5-31, 6-29, 7-29	74231	4-11
73494	5-21, 7-19	73571	5-31, 6-29, 7-29	74232	4-11
73497	5-21, 6-19, 7-19	73572	5-31, 6-29, 7-29	74234	4-11
73498	5-21, 6-19, 7-19	73573	5-31, 6-29, 7-29	74236	4-11
73499	5-21, 6-19, 7-19	73574	5-31, 6-29, 7-29	74237	4-19, 4-21, 4-23
73500	5-21, 6-19, 7-19	73575	5-31, 6-29, 7-29	74239	4-19
73501	5-21, 7-19	73576	5-31, 6-29, 7-29	74241	4-11
73502	5-21, 6-19, 7-19	73577	5-31, 6-29, 7-29	74242	4-11
73503	5-21, 7-19	73579	5-31, 6-29, 7-29	74243	4-11
73504	5-21, 6-19, 7-19	73580	5-31, 6-29, 7-29	74244	4-11
73505	5-21, 7-19	73581	5-31, 6-29, 7-29	74245	4-11
73506	5-21, 6-19, 7-19	73582	5-31, 6-29, 7-29	74455	2-19
73507	5-21, 6-19, 7-19	73585	5-31, 6-29, 7-29	75128	2-47
73508	5-21, 6-19, 7-19	73586	5-31, 6-29, 7-29	75305	2-49
73509	5-19, 6-17, 7-17	73588	5-31, 6-29, 7-29	75430	2-49
73511	5-19, 6-17, 7-17	73589	5-31, 6-29, 7-29	75934	2-71
73512	5-19, 6-17, 7-17	73590	5-31, 6-29, 7-29	75968	2-17
73513	5-19, 6-17, 7-17	73592	5-25, 7-23	760980	3-3
73514	5-19, 6-17, 7-17	73593	5-25, 6-23, 7-23	76099	2-11, 3-55
73515	5-19, 6-17, 7-17	73594	5-25, 6-23, 7-23	762516	2-84
73516	5-19, 6-17, 7-17	73595	5-25, 6-23, 7-23	763075	3-41
73517	5-19, 7-17	73596	5-25, 6-23, 7-23	76313	2-41
73518	5-19, 6-17, 7-17	73598	5-25, 6-23, 7-23	76570	2-47, 2-63, 3-29
73519	5-19, 6-17, 7-17	73599	5-25, 6-23, 7-23	76736	2-31
73520	5-23, 7-21	73600	5-25, 6-23, 7-23	768451	2-7, 2-9, 2-39
73521	5-23, 7-21	73601	5-25, 6-23, 7-23	768482	2-17
73522	5-23, 6-21, 7-21	73602	5-25, 6-23, 7-23	768555	3-7
73523	5-23, 6-21, 7-21	73603	5-25, 7-23	768598	3-3, 3-9
73524	5-23, 7-21	73604	5-25, 6-23, 7-23	768605	3-3, 3-9
73525	5-23, 6-21, 7-21	73605	5-26, 6-24, 7-24	768606	3-7
73527	5-23, 7-21	73606	5-26, 5-29, 6-24, 7-24, 7-27	76887	4-3
73528	5-23, 6-21, 7-21	73610	5-26, 6-24, 7-24	77097	2-45, 2-51, 2-73
73529	5-23, 6-21, 7-21	73618	5-32, 6-30, 7-30	77347	2-5, 3-57
73530	5-23, 6-21, 7-21	73619	5-32, 6-30, 7-30	77488	3-29
73532	5-40, 6-38, 7-38	73620	5-32, 7-30	77602	2-41
73533	5-24, 6-22, 7-22	73621	5-32, 6-30, 7-30	78043	2-31, 3-65
		73622	5-32, 6-30, 7-30	78732	3-7
				78811	2-39

# CROSS REFERENCE

Part Number	Page Number	Part Number	Page Number	Part Number	Page Number
79381	3-61	9004368	6-23	9005032	6-38
79711	4-25	9004369	6-23	9005033	6-35
79729	4-13	9004372	6-23	9005034	6-35
79731	4-25	9004373	6-23	9005035	6-35
79732	4-25	9004375	6-24	9005036	6-35
79740	4-25	9004381	6-26	9005037	6-35
80218	2-55, 2-57, 3-37, 3-41	9004382	6-26	9005038	6-35
80277	2-15, 2-23	9004383	6-26	9005039	6-35
80326	2-23, 3-7, 3-49	9004385	6-30	9005040	6-35
80491	3-37, 3-41	9004390	6-31	9005041	6-35
81993	2-53	9004393	6-31	9005042	6-35
82226	3-59	9004395	6-32	9005043	6-36
82544	2-31, 3-65	9004396	6-32	9005044	6-19
82572	2-25	9004397	6-32	9005045	6-19
82709	2-41	9004398	6-32	9005046	6-19
82733	3-17	9004399	6-32	9005076	6-12
82784	2-3, 2-75	9004400	6-32	9005077	6-26
82829	2-21, 2-25, 3-31	9004402	6-37	9005078	6-38
82831	2-17	9004403	6-37	9005789	2-19
82833	2-17	9004404	6-37	97163	2-49
83584	2-31	9004405	6-37		
83591	2-31	9004406	6-37, 6-41		
84018	2-63	9004407	6-37		
84030	2-5	9004410	6-19, 6-30		
84086	2-61	9004436	6-15		
84170	2-71	9004437	6-15		
84638	5-33, 7-31	9004438	6-15		
84648	5-31, 6-29, 7-29	9004441	6-21		
84651	5-31, 6-29, 7-29	9004449	6-30		
86618	2-53	9004822	2-67		
86751	2-47	9004823	2-67		
86877	2-85, 3-57	9004996	6-5		
87308	3-49	9004997	6-5		
87536	2-15	9004999	6-5		
87821	3-37, 3-41	9005000	6-5		
87866	2-15	9005001	6-5		
87940	5-7, 6-7, 7-7	9005002	6-5		
87948	3-3	9005004	6-9		
87972	2-33, 2-35	9005005	6-9		
89710	2-63	9005006	6-9		
9001101	6-32	9005008	6-15		
9003868	6-37	9005009	6-15		
9003869	6-37	9005010	6-17		
9003870	6-37	9005011	6-21		
9003937	2-31	9005012	6-21		
9004339	6-5	9005015	6-21		
9004342	6-9	9005016	6-21		
9004343	6-9	9005017	6-21		
9004344	6-9	9005018	6-21		
9004345	6-9	9005020	6-25		
9004346	6-9	9005021	6-27		
9004347	6-9, 6-30	9005022	6-27		
9004349	6-15	9005023	6-27		
9004350	6-15	9005025	6-30		
9004351	6-15	9005026	6-31		
9004358	6-17	9005027	6-31		
9004361	6-21	9005028	6-31		
9004363	6-21	9005029	6-27		
9004367	6-22	9005030	6-38		
		9005031	6-38		

**PART DESCRIPTION TO PAGE NUMBER CROSS REFERENCE LIST**

**A**

Actuator, 12Vdc, 3-31  
 Actuator, Mount, 3-31  
 Adaptor, Pump, Charge, 4-23  
 Adaptor, Pump, 4-21  
 Adaptor, Tube, 3-33  
 Alternator, 12vdc A [Ku] 16231-64012, 5-40, 6-38  
 Alternator, 7-38  
 Angle, Mtg, Spring, Hppr Cover, [Atlv], 2-59  
 Angle, Mtg, Stl, .12 1.8 1.6 01.2L, 3-45  
 Angle, Mtg, Stl, .18 3.4 1.7 03.5l (Replaced by 9001059), 2-29  
 Angle, Reservoir, Lh, 2-75  
 Angle, Reservoir, Rh, 2-75  
 Angle, 2-25, 2-41  
 Arm, Alternator [Ku], 5-40, 6-38  
 Arm, Drive, Wiper, 4-29  
 Arm, Propel, Lower, 2-71  
 Arm, Rocker [Ku], 5-21, 6-19  
 Arm, Wiper, 4-29  
 Armature, Motor [Ku], 5-37, 6-35  
 Armature, 7-35  
 Armrest Assy, F/69968 [Grammer], 3-14  
 Armrest Assy, Lh, F/53845 [Grammer], 3-14  
 Armrest Assy, Rh, F/53845 [Grammer], 3-14  
 Assy Coupler, Lock, 7-38  
 Assy Coupler, 7-38  
 Assy pump, injection, 7-29  
 Assy tappet, 7-29  
 Assy Terminal, 7-38  
 Assy, Starter, 7-35  
 Axle Assy (See Breakdowns), 2-43  
 Axle Assy, Main, 4-5  
 Axle Assy, 4-3, 4-5

**B**

Backplate Assy, 4-19  
 Backplate S/A, 4-15  
 Baffle, 2-25  
 Bag, Filter, 3-45  
 Bag, Poly, 18 Ct, 2-59  
 Bag, Poly, 3 Mil, 18 Ct, 2-3  
 Bag, Vacuum, 30.0 Lg, 3-39, 3-43, 3-45  
 Bag, Vacuum, 2-53  
 Ball [Ku], 5-37, 6-35  
 Ball Bearing, 7-26, 7-37  
 Ball, Cshft [Ku], 5-23  
 Ball, Hitch, 3-18  
 Ball, Relief, Oil [Ku], 5-9, 6-9  
 Ball, 4-11, 7-9, 7-21, 7-35  
 Balljoint, .25-28 Fem, .25-28 Mal, 2-71  
 Balljoint, Rod-End, 2-43  
 Band, Cover [Ku], 5-37, 6-35  
 Band, cover, 7-35  
 Band, Mtg, Air Cleaner, 2-25, 3-61  
 Band, Pipe, 7-36

Bar, Engine Mtg, 2-21  
 Bar, Flat, 2.0 X 12.0 X .625, 3-18  
 Bar, Stabilizer, 2-43  
 Base, Fltr, Oil [Ku], 5-14, 6-12  
 Base, oil filter, 7-12  
 Battery, 12V, Wet, 2-41  
 Bearing [Ku], 6-37  
 Bearing Assy, Case [Ku], 7-15  
 Bearing Assy, Case [Ku], 5-17  
 Bearing Side, 7-21  
 Bearing Sleeve .50B .59D .25L, 2-23, 2-47  
 Bearing, Ball [Ku], 5-25, 5-28, 5-37, 6-23, 6-26  
 Bearing, Ball, Pump, Water [Ku], 5-39  
 Bearing, Ball, 7-23  
 Bearing, ball, 7-35  
 Bearing, Case [Ku], 6-15  
 Bearing, Cone, Pump, Hyd, 4-23  
 Bearing, Cone, 4-19, 4-21  
 Bearing, Cshft [Ku], 5-23, 6-15, 6-21  
 Bearing, Cshft, -.2mm [Ku], 5-23, 6-15, 6-21  
 Bearing, Cshft, -.4mm [Ku], 6-15  
 Bearing, Cshft, Std [Ku], 5-23, 6-15, 6-17, 6-21  
 Bearing, Cup, 4-21, 4-23  
 Bearing, Flange, 16F Du 08, 2-63  
 Bearing, Flange, 2-17, 2-43, 2-55, 2-57, 3-25, 3-27, 3-29, 3-31, 3-37  
 Bearing, Pin, King, 4-5  
 Bearing, Rod, Connecting [-.2mm, Ku], 5-23, 6-21  
 Bearing, Rod, Connecting [-.4mm, Ku], 5-23, 6-21  
 Bearing, Rod, Connecting, Std [Ku], 5-23, 6-21  
 Bearing, Thrust [+-.2mm, Ku], 5-23, 6-21  
 Bearing, Thrust [+-.4mm, Ku], 5-23, 6-21  
 Bearing, Thrust [-.4mm, Ku], 5-23, 6-21  
 Bearing, Thrust [Ku], 5-23, 6-21  
 Bearing, Thrust, Pin, King, 4-5  
 Bearing, Thrust, Pump, Hyd, 4-23  
 Bearing, Thrust, Std [Ku], 5-23, 6-21  
 Bearing, Thrust, 3-25, 3-27, 3-29, 4-19, 4-21  
 Bearing, 2-47, 4-3, 4-11, 6-35  
 Belt, Fan [Ku], 6-38  
 Belt, V, 9.5mm 37.4l [Ku], 5-40  
 Belt, V, Alternator [Ku] 16282-97010, 2-3  
 Blade, Backup, 3-27  
 Blade, Front, 2-3, 3-25, 3-27  
 Blade, Rear, 2-3, 3-25, 3-27  
 Blade, Wiper, 22ln, 4-29  
 Block, Eng, Crankcase [Ku], 5-3  
 Block, Latch Mounting, 2-59  
 Block, Pivot Stop, Machined, 2-55, 2-57  
 Body & Gear Kit, 4-17  
 Body Assembly, 4-15  
 Bolt [Ku], 5-38, 6-30, 6-37, 6-41

Bolt, Adj, 7-24  
 Bolt, Assy, Adj, 7-24  
 Bolt, Bearing Case, 7-15  
 Bolt, Connecting Rod, 7-21  
 Bolt, Eye, .25-20X1.1X .25 Eye, 2-45, 2-55, 2-57  
 Bolt, Eye, .25-20x1.1x .25 Eye, 3-39, 3-43  
 Bolt, Eye, .31-18 X 3.75 X .18 Eye, 2-59  
 Bolt, Eye, 7-43  
 Bolt, Flng [Ku], 5-41, 6-39  
 Bolt, Flywheel, 7-22  
 Bolt, Hex [Ku] 01023-50622, 7-41, 7-43  
 Bolt, Hex [Ku], 5-17, 5-19, 5-27, 5-28, 5-32, 5-37, 5-38, 5-40, 6-17, 6-23, 6-25  
 Bolt, Hex Head, 4-17  
 Bolt, Hex, Soc [Ku], 6-27  
 Bolt, Holddown, 8.5 Long, 2-41  
 Bolt, joint, 7-29  
 Bolt, Shld .56d X 2.32, .44-20, 2-43  
 Bolt, Shld, .31d X 1.00, .25-20, 2-71  
 Bolt, through, 7-35  
 Bolt, 4-13, 6-13, 6-15, 6-35, 7-5, 7-7, 7-9, 7-13, 7-15, 7-17, 7-22, 7-23, 7-25, 7-26, 7-30, 7-35, 7-36, 7-37, 7-38, 7-39, 7-41, 7-42  
 Boot, 90Deg .69D .12D, 2-75  
 Boot, Battery, Black, 2-41  
 Boot, Battery, Red, 2-41  
 Boot, Circuitbreaker, 2-15, 3-3, 3-5, 3-57  
 Boot, Switch, Ignition, 2-15  
 Boot, Switch, 2-15  
 Boot, Wire, Starter [Ku], 5-37, 6-35  
 Boot, 2-15, 3-3, 3-5, 3-57  
 Box, Tool Chest, 3-13  
 Brace, Radiator, 2-33, 2-35  
 Brace, Sppt [ATLV], 2-11  
 Brace, Support, 3-61  
 Bracket Assy, Engine Cover Blu, 2-11  
 Bracket Assy, Engine Cover Gre, 2-11  
 Bracket Assy, Engine Cover Pur, 2-11  
 Bracket Assy, Engine Cover Red, 2-11  
 Bracket Assy, Engine Cover Whi, 2-11  
 Bracket Assy, Engine Cover Yel, 2-11  
 Bracket Assy, Light Mtg, 3-3, 3-9  
 Bracket Assy, Vacuum Exhaust, 3-39, 3-43, 3-45  
 Bracket Mtg, Wldt, Diesel, Lh, 2-19  
 Bracket Weldment, Tank Stop, 2-55, 2-57  
 Bracket Wldt, Mtg, Broom Holder, 3-22  
 Bracket Wldt, Radiator Mtg, 2-33, 2-35  
 Bracket Wldt, Radiator, Mtg, 3-59  
 Bracket, Angle W/Label, 2-5  
 Bracket, Angle Brake Mtg, 2-47  
 Bracket, Angle, Lh, 3-7  
 Bracket, Angle, Rh, 3-7  
 Bracket, Angle, 2-61  
 Bracket, Arm, 7-19  
 Bracket, Brace Mounting, 2-59  
 Bracket, Cable Mount, 2-19, 2-23

## CROSS REFERENCE

Bracket, Cable Mtg, 2-19  
Bracket, Elbow, Fence, 3-55  
Bracket, Front Mount, Lh, 2-55, 2-57  
Bracket, Front Mount, Rh, 2-55, 2-57  
Bracket, Front, 3-47  
Bracket, Fuel Pump Mtg, 2-31  
Bracket, Handle Mtg, 3-15  
Bracket, Hanger, 3-55, 3-57  
Bracket, Hinge Mount Blue, 2-59  
Bracket, Hinge Mount Green, 2-59  
Bracket, Hinge Mount Purple, 2-59  
Bracket, Hinge Mount Red, 2-59  
Bracket, Hinge Mount White, 2-59  
Bracket, Hinge Mount Yellow, 2-59  
Bracket, Keeper, 2-11  
Bracket, Latch, 3-41  
Bracket, Lift Arm, 3-25, 3-27  
Bracket, Light, 3-3  
Bracket, Mirror,Bot, 4-29  
Bracket, Mirror,Top, 4-29  
Bracket, Mount, Remote Oil Fil, 2-37, 2-39  
Bracket, Mounting Alarm, 3-5  
Bracket, Mtg, Boom Pivot, 2-63  
Bracket, Mtg, Fltr, Air, 2-27, 3-63  
Bracket, Mtg, Insulation, 2-57  
Bracket, Mtg, Label, 3-37, 3-41  
Bracket, Mtg, Lh, 3-37, 3-41  
Bracket, Mtg, Linkage, Head, 2-43, 3-25, 3-27  
Bracket, Mtg, Lower, 3-37, 3-41  
Bracket, Mtg, Muffler, [Atlv], 2-29  
Bracket, Mtg, Pump, Fuel, 3-65  
Bracket, Mtg, Rh, 3-37, 3-41  
Bracket, Mtg, Rocker Arm [Ku], 5-21, 6-19  
Bracket, Mtg, Side, Rear, 2-7, 2-9  
Bracket, Mtg, Smv Label (for Dust Filter kits), 3-3  
Bracket, Mtg, Smv Label, 3-3  
Bracket, Mtg, Upper, 3-37, 3-41  
Bracket, Mtg, Vacuum Hose, 3-57  
Bracket, Mtg, Valve, And Pump, 3-49  
Bracket, Panl, Eng, Rear (Part of Frame Weldment), 2-5  
Bracket, Plenum Brace, 2-59  
Bracket, Rear, 3-47  
Bracket, Retainer, Safety, 2-71  
Bracket, Sppt, Lh, 3-41  
Bracket, Sppt, Rh, 3-41  
Bracket, Support, Lh, 3-37, 3-41  
Bracket, Support, Rh, 3-37, 3-41  
Bracket, Throttle Mtg Blue, 2-23  
Bracket, Throttle Mtg Green, 2-23  
Bracket, Throttle Mtg Purple, 2-23  
Bracket, Throttle Mtg Red, 2-23  
Bracket, Throttle Mtg White, 2-23  
Bracket, Throttle Mtg Yellow, 2-23  
Bracket, Tie-Down, Rear, 3-53  
Bracket, Valve, 2-73  
Bracket, Wand, 3-35  
Bracket, Wildt, Diesel, Rh, 2-19  
Bracket, Wildt, Steering Tilt, [Atlv], 2-17

Bracket, Wildt, 3-25, 3-27  
Bracket, 3-59, 4-7  
Brake Assy, Lh (See Breakdowns), 2-45  
Brake Assy, Rh (See Breakdowns), 2-45  
Brake Wildt, Cross-Shaft Lh, 2-47  
Brake Wildt, Cross-Shaft Rh, 2-47  
Brake, Parking Stop, Left, 2-47  
Brake, Stop, Parking, Right, 2-47  
Breather Elem, 7-11  
Breather, Hyd Cap, 3.6Ds Chain, 2-75  
Brkt, Mtg, Side Panel, Lh, 2-5  
Brkt, Mtg, Side Panel, Rh, 2-5  
Brthr Shield, 7-11  
Bshng,Idle Gear, 7-17  
Bulb, 12V, 2-13, 2-15  
Bulb,H3 12/55Hd, 3-7  
Bumper, Adhesive Back, 2-5  
Bumper, Rbr, 2.0d 0.75t .38-16, 3-31  
Bumper, Rubber, 2-11, 2-13, 3-55  
Bushing, Flange, 2-59  
Bushing, Flng, 0.38b 0.50d 0.25l, Nyl, 3-41  
Bushing, Gear, Gov [Ku], 5-3, 6-3  
Bushing, Gear, Idler [Ku], 5-19, 6-17  
Bushing, Gov Gear, 7-3  
Bushing, Pin, Piston [Ku], 5-23, 7-21  
Bushing, Pin, Piston [Ku], 6-21  
Bushing, 4-3  
Button, Plug, 2-15

## C

C Shaft Metal, 7-21  
Cab, Open (See Breakdowns), 3-57  
Cab, Open, 4-29  
Cable Assy, Brake, 2-47  
Cable Assy, 3-31  
Cable, Lanyard, 3-37  
Cable, .09d, 13.0l, .38eye /.38eye, 3-41  
Cable, Battery, 2-21, 2-41  
Cable, Debris Canister, 2-55, 2-57  
Cable, Hyd, 3-29  
Cable, Push / Pull, 077.0l .25-28/.25-28, 2-71  
Cam, Fuel [Ku], 5-25  
Cam, Fuel 1, 7-23  
Cam, 4-7, 4-21, 4-23  
Camplate Insert, 4-19  
Camplate, 4-19  
Camshaft Assy [Ku], 5-19  
Camshaft Assy [Ku], 6-17  
Camshaft Assy, 7-17  
Camshaft, Fuel [Ku], 5-25, 6-23  
Camshaft,Fuel, 7-23  
Canister, Debris w/label (Replaced by 368642), 2-55  
Cap Sealing, 7-3  
Cap, Breather, Hyd, 3.8 Ds, 2-3  
Cap, End, Cylinder, 4-11  
Cap, Filler, Oil [Ku], 5-11, 5-13, 6-11  
Cap, Fuel, Protectoseal, 3-23  
Cap, Fuel, 2-31  
Cap, Hub, 4-3

Cap, Nozzle, Spray, 3-49  
Cap, Pin, King, 4-5  
Cap, Radiator, 14psi [Stant], 2-33, 2-35  
Cap, Radiator, 15psi, [Stant #A02502], 2-35  
Cap, Sealing, 7-3  
Cap, Stop [Ku] Rep.By30136, 5-26, 6-24  
Cap, Tank, Drain, 2.25 Thread Pye, 3-47  
Cap, Valve [Ku], 5-21, 6-19  
Cap, Vinyl, 2-35  
Cap,Kingpin W/Zerk, 4-3  
Cap,Sealing, 7-7  
Cap,Valve, 7-19  
Cap, 7-7, 7-24  
Cart,Logic Cnt, 4-25  
Cart,Pilot Chk, 4-25  
Cart,Psi Cn, 4-25  
Case Assy,Brg, 7-15  
Case, Brg, Main [Ku], 5-17  
Case, Gear, Complt [Ku], 5-9  
Case, Main, Brg Assy, 6-15  
Channel, Mtg, Steering Latch, 2-17  
Channel, Support, Enginecover, 2-5  
Charge Pump Adapter, 4-19  
Cir-Clip, Ext, 7-19, 7-26  
Cir-Clip, Gear, 7-17  
Cir-Clip, Gov, 7-23  
Cir-Clip, Pin, 7-21  
Circuitbreaker, 15 A, Resetable, 2-15  
Circuitbreaker, 15 A, 2-15, 3-3, 3-5, 3-57  
Circuitbreaker, 15A, Resetable, 3-3, 3-5, 3-57  
Clamp [Ku], 7-37  
Clamp [Kubota], 6-37  
Clamp Assy, 2-25, 3-61  
Clamp, Actuator, 3-31  
Clamp, Bridge, 5.0, 3-33  
Clamp, Bridge, 2-65  
Clamp, Cable, Stl, 0.18D X 0.75W, 1Hole, 2-19  
Clamp, Cable, 2-19, 2-31  
Clamp, Handle, 2-65  
Clamp, Hose [Ku] Rep.By30134, 5-33  
Clamp, Hose, 8.00, 3-55  
Clamp, Hose, Heater [Ku], 5-38, 6-36  
Clamp, Hose, Wormdrive, 0.25-0.62d, 2-35, 3-49  
Clamp, Hose, Wormdrive, 1.06-2.00d, .56w, 2-29  
Clamp, Hose, Wormdrive, 1.56-2.50d, .50w, 2-27, 3-63  
Clamp, Hose, 2-21, 2-25, 3-31, 5-13, 6-11, 7-41, 7-43  
Clamp, Muffler, 1.62d, 2-29  
Clamp, Pipe, 7-43  
Clamp, Pipe1, 7-31  
Clamp, Pipe2, 7-31  
Clamp, Retaining, 2-53, 3-39, 3-43, 3-45  
Clamp, Tube, Inj, Pipe [Ku], 6-31  
Clamp, Tube, Inj, Pipe [Ku], 6-31  
Clamp, Tube, Inj, Pipe #1 [Ku], 5-33

Clamp, Tube, Inj, Pipe #21 [Ku], 5-33  
 Clamp, Wormdrive, 1.31- 3.25D, 2-31  
 Clamp, Wormdrive, 2-25, 2-31, 2-33,  
 2-35, 3-3, 3-39, 3-43, 3-59, 3-61,  
 3-65  
 Cleaner, Air, 2-25, 3-61  
 Clip, Christmas Tree, 2-61  
 Clip, Pipe, 7-31  
 Clutch, Starter [Ku], 5-37, 6-35  
 Clutch, 7-35  
 Collar, 7-12  
 Collar [Ku], 6-12  
 Collar, Crank, Front [Ku], 5-23, 6-21  
 Collar, Crankshaft, 7-21  
 Collar, fan spacer, 7-39  
 Collar, Fltr, Oil [Ku], 5-14  
 Collar, Gear [Ku], 5-19, 6-17  
 Collar, Gear, 7-17  
 Collar, Govnr [Ku], 5-28, 6-26  
 Collar, 7-26  
 Collet, Spring, 7-19  
 Column, Cntrl, Rack [Ku], 5-31, 6-29  
 Column, Steering #2 8Lg 0Wire, 2-17  
 Comp. Case, Gear, 7-9  
 Comp. Crankshaft, 7-21  
 Comp. Lever, Fork, 7-26  
 Comp. Weight, 7-23  
 Conductor, Glowplug [Ku], 5-33, 6-31  
 Connecting Rod Assy, 7-21  
 Connector Assy, Blade, 3 Terminal, 5-40  
 Connector Assy, Blade, 6 & 2 Terminal,  
 5-40  
 Connector Assy, Bullet [Atlv], 5-40  
 Connector, Blade, 2 Terminal [Atlv], 5-40  
 Connector, Blade, 6 Terminal [Atlv], 5-40  
 Connector, Bullet [Atlv], 5-40  
 Connector, 3-11, 3-49, 7-38  
 Cooler, Hyd, 25gpm, 2-39  
 Cooler, Hyd, 3-59  
 Cooler, Oil, Hyd, 2-37, 2-39  
 Cooler, Oil, 3-59  
 Cord, Handle, 3-15  
 Cord, stop solenoid, 7-35  
 Cord, Glow Plug, 7-31  
 Coupling, Flywheel, 2-21  
 Coupling, 2-69  
 Cover [Ku], 6-35  
 Cover Assy, Head, Cyl, 5-13, 6-11  
 Cover Plate, 4-19  
 Cover, Bearing Case, Eng [Ku], 7-15  
 Cover, Breather, 5-13, 6-11  
 Cover, Brg Case, Eng [Ku], 5-17, 6-15  
 Cover, cord, 7-35  
 Cover, End, 4-23  
 Cover, Hole, Pump [Ku], 5-26, 6-24  
 Cover, Hole, Pump, Fuel [Ku], 5-29,  
 6-27, 7-27  
 Cover, Lever, Gov [Ku], 5-28, 6-26  
 Cover, Lever, 7-26  
 Cover, Pump, Oil [Ku], 5-9  
 Cover, Pump, 7-24  
 Cover, Steering Wheel, 2-17  
 Cover, Thermostat, 7-36

Cover, Tool Chest, 3-13  
 Cover, Wiper, Motor, 4-29  
 Cover, Wiper, Wndshd, 4-29  
 Cover, Belt, 7-38  
 Cover, Oil Pump, 7-9  
 Cover, 6-9  
 Crank Pin, Metal, 7-21  
 Crankcase, Complt, 5-3, 6-3, 7-3  
 Crankcase, 7-3  
 Crankshaft Mtl1 (02), 7-21  
 Crankshaft Mtl2 (2), 7-21  
 Crankshaft Mtl3 (02), 7-21  
 Crankshaft [Ku], 5-23, 6-21  
 Crankshaft, Keyway, 7-21  
 Crankshaft, Metal [Ku], 6-15  
 Cshaft Sleeve, 7-21  
 Cshaft, Metal 1, 7-21  
 Cshaft, Mlt2, 7-21  
 Cshft Mtl1, 7-21  
 Cshft Mtl2, 7-21  
 Cshft Mtl3, 7-21  
 Cuff, 2.0 Id Hose, 1.75id X 2.0d, 2-27,  
 3-63  
 Cup Assy, 2-25, 3-61  
 Cvr Assy, Cyl. Hd, 7-11  
 Cyl. Head Bolt, 7-7  
 Cylinder, Hyd 2.0B, 19.1L, 04.80Strk,  
 1500 (See Breakdowns) (Replaced  
 by 1030146), 2-43  
 Cylinder, Hyd, 2.0B 19.1L 04.75 Strk  
 3000, 2-43  
 Cylinder, Hyd, 4-9

**D**

Dampener, Engine, 2-21, 2-43  
 Dashpot, 4-13  
 Diode, Ele, Plug, 3-11, 3-49  
 Diode, Electric Plug, 2-15, 3-5  
 Dipstick [Ku], 5-15, 6-13  
 Dipstick, Oil [Ku], 6-13  
 Door Wldt, By-Pass, 3-37, 3-41  
 Door, Filter, Mtg, 3-37  
 Door, Fltr, 3-41  
 Draincock Asy, 7-3  
 Draincock, 2-33, 2-35  
 Drive Gear Assy, 4-15  
 Drive, 4-11, 4-13  
 Driveshaft, Pump, Hyd, 4-23  
 Duct, Inlet, Filter, 3-39, 3-43  
 Duct, Vinyl, 3-7

**E**

Ear, Lifting, Eng [Ku], 5-7, 6-7  
 Elbow, Fence, 3-55  
 Elem. Plate(1), 7-11  
 Elem. Plate(2), 7-11  
 Element, Breather [Ku], 5-11  
 Element, Filter, Air, 2-3, 2-25, 3-61  
 Element, Filter, Oil, 2-3, 2-37, 2-39, 3-59  
 Element, Filter, 2-3, 2-75

Element, Fltr, Air, 2-27, 3-63  
 Element, Fltr, Fuel [Dn], 2-31  
 Element, pump, 7-29  
 End Cover, 4-17  
 Engine Aassy, Dsl, 22.5Hp[Ku  
 2008] (See Engine Breakdown),  
 2-19  
 Engine Mtg, Rear, Diesel, 2-21  
 Engine, Die, Turbo, (See Turbo Engine  
 Breakdowns), 3-59  
 Engine, Diesel, Kubota (See Engine  
 Breakdown), 2-19  
 Enigne, Dsl, 33 Hp Turbo [KUBO 2008]  
 (See Turbo Engine Breakdowns),  
 3-59  
 Extinguisher, Fire, 3-16

**F**

Fan , suction, 7-39  
 Fan Pulley, 7-38  
 Fan, Cooling, 6 Blade [Ku], 5-41, 6-39  
 Fender Wldt, Lh Blue, 2-7  
 Fender Wldt, Lh Green, 2-7  
 Fender Wldt, Lh Purple, 2-7  
 Fender Wldt, Lh Red, 2-7  
 Fender Wldt, Lh White, 2-7  
 Fender Wldt, Lh Yellow, 2-7  
 Fender Wldt, Rh Blue, 2-9  
 Fender Wldt, Rh Green, 2-9  
 Fender Wldt, Rh Purple, 2-9  
 Fender Wldt, Rh Red, 2-9  
 Fender Wldt, Rh White, 2-9  
 Fender Wldt, Rh Yellow, 2-9  
 Fender, Lh, 6-32  
 Filter Assy, Air, 2-27, 3-63  
 Filter Assy, Fuel, Dsl, 2-31, 3-65  
 Filter, Fuel, Element, 2-3, 3-65  
 Filter, Oil, Hyd, 2-75  
 Filter, Panl, Syn, 2.2 X 25.0 X 25.0, 3-37,  
 3-41  
 Fire Extinguisher Kit, 3-16  
 Fire Protection Kit, 3-17  
 Fitting, Banjo, Fuel, 2-31, 3-65  
 Fitting, Brass, Elbow, 2-25, 2-31, 3-61,  
 3-65  
 Fitting, Brass, Str, 2-31, 3-65  
 Fitting, Draincock [Ku], 5-3, 6-3  
 Fitting, Fuel [Ku], 5-33, 6-31  
 Fitting, Grease, 4-5, 4-9  
 Fitting, Hyd E90 Jm08-OM08, 3-59  
 Fitting, Hyd, E90, Jm08/Jf08, 3-59  
 Fitting, Hyd, E90, Jm10/Om10, Swivel,  
 2-39  
 Fitting, Hyd, E90, Jm10/Om10, 2-39  
 Fitting, Hyd, Elbow w/ Oring, 2-37  
 Fitting, Hyd, Elbow, Metric, 2-37, 2-39,  
 3-59  
 Fitting, Hyd, Elbow, 2-37, 2-39, 2-43,  
 2-45, 2-51, 2-69, 2-73, 2-75  
 Fitting, Hyd, Plug, Om04, 4-25  
 Fitting, Hyd, Plug, 2-75  
 Fitting, Hyd, Str, Pm02/Pm02, 2-27, 3-63

## CROSS REFERENCE

Fitting, Hyd, Str, Pm08/Jm08, 2-39, 3-59  
Fitting, Hyd, Str, 2-17, 2-37, 2-39, 2-45,  
2-69, 2-73, 2-75  
Fitting, Hyd, Tee, 2-45, 2-73, 2-75  
Fitting, Hyd, 3-59  
Fitting, Pipe, Plug [Ku], 5-3, 5-7, 5-9,  
5-38, 6-3, 6-7, 6-9, 6-36  
Fitting, Pipe, Str, Pm06/Pm06 07.0l,Blk,  
3-33  
Fitting, Pipe, Water [Ku], 5-38, 6-37  
Fitting, Plstc, E90, Bm06/Pm04, 3-47  
Fitting, Plstc, E90, Bm06/Pm08, 3-47  
Fitting, Plstc, Str, Bm06/Bm08, 3-49  
Fitting, Plstc, Str, Pm16/Pf08, 3-47  
Fitting, Plug [Ku], 5-3, 6-3  
Fitting, Plug, O-Ring, 4-23  
Fitting, Plug, O-Ring, 4-23  
Fitting, Plug, Om02, Valve, 4-27  
Fitting, Plug, Om04, Valve, 4-27  
Fitting, Plug, Om08, Valve, 4-27  
Fitting, Plug, Org, #6, Valve, 4-27  
Fitting, Plug, Pump, Injection [Ku], 5-31,  
6-29  
Fitting, Str., 2-35  
Fitting, Str, 2-31, 3-65  
Flange, Mount, 4-17  
Flange, Muffler, 7-42  
Flange, Pump, Water [Ku], 5-39, 6-37  
Flange, Sleeve [Ku], 5-31, 6-29  
Flange, sleeve, 7-29  
Flange, Water [Ku], 5-38, 6-36  
Flasher, 3-3, 3-5  
Flywheel, Complt [Ku], 5-24, 6-22  
Flywheel,Comp., 7-22  
Foam, Acoustic, Side Cover, Rh, 2-9  
Follower, Screw, Pump, Injection[Ku],  
5-31, 6-29  
Frame Wldt, Blue, 2-5  
Frame Wldt, Green, 2-5  
Frame Wldt, Purple, 2-5  
Frame Wldt, Red, 2-5  
Frame Wldt, White, 2-5  
Frame Wldt, Yellow, 2-5  
Frame, Cab, 4-29  
Frame, End, Drive, 6-35  
Frame, End, Starter [Ku], 5-37  
Frame, end, 7-35  
Frontplate Assy, 4-15  
Ftg, Grease, 4-3  
Ftg, Hyd, Str Omm16/Jm08 Metric,  
2-37, 2-39  
Fuel Filler Assy, 2-31  
Fuelline, Eng, Turbo, Die, 3-65  
Fuelline, 3-65  
Fuse, Blade, 030A, 32Vdc, 2-84

### G

Gasket [Ku], 6-24  
Gasket, Bearing Case, 7-15  
Gasket, Bearing, Case [Ku], 6-15  
Gasket, Cap, 3-47  
Gasket, Case, Brg [Ku], 5-17

Gasket, Case, Gear [Ku], 5-9, 5-17, 6-9,  
6-15  
Gasket, Cover, Gov [Ku], 5-28, 6-26  
Gasket, Cover, Spd [Ku], 5-32, 6-30  
Gasket, Cover, Valve [Ku], 5-11, 5-13,  
6-11  
Gasket, Cover, 2-51  
Gasket, deliv valve, 7-29  
Gasket, Drain Plug, 7-5  
Gasket, Exhaust [Ku], 5-42, 6-40  
Gasket, F/ Bolt [Ku], 5-11, 5-13, 5-26,  
5-33, 6-11, 6-24, 6-30, 6-31  
Gasket, F/ Screw [Ku], 5-31, 6-29  
Gasket, Flange, 7-36  
Gasket, Foam, 2-55, 2-57, 3-33  
Gasket, Ftg, Banjo [Ku], 5-31, 6-29  
Gasket, Gearcase, 7-9  
Gasket, Head, Cyl [Ku], 5-7  
Gasket, Head, Cyl, 5-7, 6-7, 7-7  
Gasket, Hsg, Thermostat [Ku], 5-38, 6-36  
Gasket, Inlet Manifold, 7-41  
Gasket, King Pin, 4-3  
Gasket, Manifold, Exhaust [Ku], 5-42,  
6-40  
Gasket, Manifold, Intake [Ku], 5-43, 6-41  
Gasket, Muffler, 7-42  
Gasket, Nozzle, Injector [Ku], 5-33, 6-31  
Gasket, Org, 4-5  
Gasket, Pan, Oil [Ku], 5-5, 6-5  
Gasket, Pin, King, 4-5  
Gasket, Plate, Vacuum, 3-45  
Gasket, Plug, Drain [Ku] Rep.By60453,  
5-5  
Gasket, Plug, Drain [Ku], 5-5, 6-5  
Gasket, Pump, Fuel [Ku], 6-27  
Gasket, Pump, Water [Ku], 5-39, 6-37,  
7-37  
Gasket, Sealing [Ku], 5-3  
Gasket, Sensor, Thermal, 3-17  
Gasket, Solenoid, Throttle [Ku], 5-27  
Gasket, Thermostat [Ku], 5-38  
Gasket, Throttle Blk, 7-25  
Gasket, Vacuum Plate, 3-39, 3-43  
Gasket, Valve, Injector [Ku], 5-31, 6-29  
Gasket, Wndw, 2-55  
Gasket, Oil Pan, 7-5  
Gasket, 2-15, 2-31, 5-33, 6-3, 6-36, 7-3,  
7-5, 7-11, 7-24, 7-26, 7-29, 7-30,  
7-31, 7-36, 7-42, 7-43  
Gauge, Fuel, 2-15  
Gauge, Hourmeter, 12-60Vdc, analog  
[10K], 2-15  
Gear, Camshaft [Ku], 5-19, 6-17  
Gear, Camshaft, 7-17  
Gear, Case [Ku], 6-9  
Gear, Crankshaft, 7-21  
Gear, Cshft [Ku], 5-23, 6-21  
Gear, Govnr [Ku], 5-25, 6-23  
Gear, Idle, 7-17  
Gear, Idler, Cam [Ku], 5-19, 6-17  
Gear, Oil Pump, 7-21  
Gear, Pump, Fuel [Ku], 5-25, 6-23  
Gear, Pump, Oil [Ku], 5-23, 6-21

Gear, Pump, 7-23  
Gear, Ring [Ku], 6-22  
Gear, Ring, Flywheel [Ku], 5-24  
Gear, Starter [Ku], 5-37, 6-35  
Gear, Governor, 7-23  
Gear, 7-35  
Geroler, 4-13  
Gerotor and Coupler Assy, 4-19  
Gerotor S/A, 4-11  
Gerotor, W/Coupler, Pump, Hyd, 4-23  
Gerotor, W/Coupler, 4-21  
Glow Plug, 7-31  
Glowplug [Ku], 5-33, 6-31  
Gov.Sleeve, 7-23  
Gov.Spring, 7-26  
Grip, Handle, Flat, 2-65  
Grip, Vinyl, 2-23, 3-35  
Grommet, Rubber, 3-3, 3-9, 3-57  
Gskt, Case Cvr, 7-15  
Gskt,Cyl.Head, 7-7  
Gskt,Ex-Manifol, 7-40  
Gskt,Head Cover, 7-11  
Guard, Belt [Ku], 5-40, 6-38  
Guard, Hose, 2-51  
Guard, Intake, Air, Eng, 2-27, 3-63  
Guard, Screen, 2-51  
Guard, Tailpipe, 2-29, 3-59  
Guide Asy,Oilga, 7-13  
Guide, Centering, Door, 3-37  
Guide, Exhaust Valve, 7-7  
Guide, Inlet Valve, 7-7  
Guide, Valve, Exhaust [Ku], 5-7  
Guide, Valve, Exhaust, 6-7, 7-7  
Guide, Valve, Inlet, 6-7, 7-7  
Guide, Valve, Intake [Ku], 5-7

### H

Handle, Hose Arm, 2-65  
Handle, Throttle, 2-23  
Handle, Vinyl, Blk, 4-29  
Handle, 2-17  
Harness, Jumper, 3-5  
Harness, Main, Diesel, Atlv, 2-84  
Harness, Switch, Key, Diode, [515], 3-11  
Harness, Water, Dust Control, [Atlv],  
3-51  
Harness, Windshield Wiper, 3-57  
Harness, Wire, Alarm, Back-Up, 3-5  
Harness, Wire, Main, 2-84  
Head, Cyl [Ku], 5-7  
Head, Cyl, 3 Cyl [Ku], 7-7  
Head, Cyl, Complt, 7-7  
Head, Cyl, W/O Valve [Ku], 5-7, 6-7  
Head, Mirror,Convex, 4-29  
Headlight, 2-13, 3-5  
Hinge Assembly, 3-13  
Hinge Weldment, Door, 3-41  
Hinge Weldment, Lh, 2-59  
Hinge Weldment, Rh, 2-59  
Hinge Wldt, Door, 3-37, 3-41  
Hinge, .25pin .07 2.0w 12.0l, 4/0.38h,  
2-39

Hinge, Seat Support, 2-11, 2-13  
 Holder, Assy, Nozzle, 7-31  
 Holder, Brush [Ku], 5-37, 6-35  
 Holder, brush, 7-35  
 Holder, deliv valve, 7-29  
 Holder, Gear [Ku], 5-25, 6-23  
 Holder, Govnr [Ku], 5-25, 6-23  
 Holder, Valve, Inj [Ku], 5-31, 6-29  
 Holder, Gear, 7-23  
 Holder, 7-23  
 Hook, Engine 2, 7-7  
 Hook, Engine, 7-7  
 Hook, Hose, 2-65  
 Hopper Assy, W/Labels, [Atlv], 2-57  
 Horn, Backup Alarm, 3-5  
 Horn, 2-49  
 Hose, Air Intake, 2-25  
 Hose, Air, Intake, 3-61  
 Hose, Clear 8.0 L, 3-15  
 Hose, Clear Vinyl, 2-35  
 Hose, Coolant, Mold, 1.00id To 1.00id, 3-59  
 Hose, Drain, Overflow, Radiator, 2-35  
 Hose, Flex, Vacuum, 02.0d, 038.0l, 2-27, 3-63  
 Hose, Fuel [Ku], 5-33, 6-31  
 Hose, Fuel Filler, 2-31  
 Hose, Fuel, .312d 22.0l, 3-65  
 Hose, Fuel, 2-31, 3-65  
 Hose, Hyd, Low04, Jf04e90/Jf04str, 030.0, 2-67  
 Hose, Hyd, Low04, Jf04e90/Jf04str, 114.0, 2-67  
 Hose, Hyd, Low06, Jf06e90/Jf06str, 038.0, 2-67  
 Hose, Hyd, Med04, Jf04str/Jf04str, 051.0, 2-67  
 Hose, Hyd, Med04, Jf04str/Jf04str, 056.0, 2-67  
 Hose, Hyd, Med04, Jf04str/Jf04str, 114.0, 2-67  
 Hose, Hyd, Suc16, Jf16str/Jf16str, 033.0, 2-67  
 Hose, Hyd, Tc04, Jf04e45/Jf04str, 038.0, 2-67  
 Hose, Hyd, Tc04, Jf04e90/Jf04str, 013.0, 2-67  
 Hose, Hyd, Tc04, Jf04e90/Jf04str, 076.0, 2-67  
 Hose, Hyd, Tc10, Jf10e45/Jf10str, 016.0, 2-67  
 Hose, Hyd, Tc10, Jf10e45/Jf10str, 019.0, 2-67  
 Hose, Hyd, Tc10, Jf10e45/Jf10str, 048.0, 2-67  
 Hose, Hyd, Tc10, Jf10e45/Jf10str, 078.0, 2-67  
 Hose, Hyd, Tc10, Jf10e90/Jf10str, 018.0, 2-67  
 Hose, Hyd, Tc10, Jf10e90/Jf10str, 028.0, 2-67  
 Hose, Hyd, Tc10, Jf10e90/Jf10str, 074.0, 2-67

Hose, Hyd, Tc10, Jf10e90/Jf10str, 026.0, 2-67  
 Hose, Hyd, Tc10, Jf10e90/Jf10str, 032.0, 2-67  
 Hose, Hyd, Tc10, Jf10str/Jf10str, 018.0, 2-67  
 Hose, Hyd, Tc10, Jf10str/Jf10str, 025.0, 2-67  
 Hose, Hyd, Tc10, Jf10str/Jf10str, 032.0, 2-67  
 Hose, Hyd, Tc10, Jf10str/Jf10str, 052.0, 2-67  
 Hose, Hyd, Low08, Jf08str /Jf08e45 , 24.0, 3-59  
 Hose, Hyd, 2-37, 2-39, 3-59  
 Hose, Inlet, 7-41  
 Hose, Intake, Die, 3-61  
 Hose, Intake, Diesel, 2-25  
 Hose, Intake, Dsl, 2-27  
 Hose, Intake, Mold, 1.25ld 1.75ld [ATLV], 3-63  
 Hose, Pvc, Brd, 0.50id 0.75od 14.00l, 3-49  
 Hose, Pvc, Clr, 0.41id 0.60od 42.00l, 3-49  
 Hose, Radiator, Lower, 2-33, 2-35  
 Hose, Radiator, Upper, 2-35  
 Hose, Radiator, 2-33, 2-35  
 Hose, Vacuum, 8.0, 2-3, 2-65  
 Hose, Vacuum, 5.0, 3-33  
 Hose, Vacuum, 8.0, 3-57  
 Hose, Vacuum, 2-3, 2-65  
 Hose, Water [Ku], 5-38, 6-36  
 Hose, Water, 3-59, 7-37  
 Hose-Fuel, .18ld 6.0L, 2-31  
 Hose-Fuel, .31ld 16.0L, 2-31  
 Hose-Hyd Low08 Jf/J4, 2-37  
 Hose-Hyd Low08 Jf/Jf, 2-37  
 Hose-Hyd, 2-39  
 Housing Assy, Dust Filter, 3-37  
 Housing Assy, Nozzle, 5-33, 6-31, 6-32, 7-31  
 Housing Assy, 4-19  
 Housing, Brg, 4-13  
 Housing, Filter, 3-41  
 Housing, Flywheel, 2-21  
 Housing, Nozzle, 3-49  
 Housing, Starter [Ku], 5-37  
 Housing, Thermostat [Ku], 5-38, 6-36  
 Housing, Vacuum Fan, 2-51  
 Housing, Valve, 4-13  
 Housing, 4-7, 4-21, 4-23, 7-35  
 Hub And Disc Assy, W/Paint, 2-45  
 Hub, Complete, 4-3  
 Hub, Mtg, Arm, Cntrl, Pintle, 2-71

**I**

Idle App.Assy, 7-24  
 Idler Gear Assy, 4-15  
 Impeller, Machined, 2-51  
 Impeller, Pump, Water [Ku], 5-39, 6-37  
 Impeller, Water Pump, 7-37

Indicator, Air Filter, 2-25, 3-61  
 Indicator, Service, Fltr, Air [20h20 Dn], 2-27, 3-63  
 Inject.Pipe 1, 7-31  
 Inject.Pipe 2, 7-31  
 Inject.Pipe 3, 7-31  
 Inlet Valve, 7-19  
 Insert, Plate, Cam, Pump, Hyd, 4-23  
 Insert, Plate, Cam, 4-21  
 Instr, Repair, Pump, Hyd, 4-21  
 Instr, Repair, Pump, 4-23  
 Instruction, Repair, 4-11  
 Insulation, Acoustic, 2-11, 2-13, 2-51, 2-55  
 Insulation, Acstc, 0.8th, 05.5w X 18.5l, 2-9, 3-11  
 Insulation, Acstc, 1.0, 22.4 X 09.5 C-O, 2-9  
 Insulation, Acstc, 2-9, 2-57, 3-11  
 Insulation, Foam, 2-7  
 Insulation, Roof, 4-29  
 Isolator, Rubber, 2-29  
 Isolator, Vib, Bshg, 1.1d 0.6l .4b 0.78h, 2-29, 2-71  
 Isolator, Vibration, 2-37, 2-39  
 Isolator, 2-19

**J**

Joint, Drain Pipe, 7-3  
 Joint, Pipe, 7-11

**K**

Key [Ku], 5-19, 5-23, 6-17, 6-21  
 Key, Shaft, Pump, Hyd, 4-23  
 Key, Square, 2-51, 4-17  
 Key, Switch, Set Of Two, 2-15  
 Key, Woodruff [Ku], 5-25, 6-23  
 Key, Woodruff, 7-23  
 Key, 4-13, 4-19, 4-21  
 Keyway, 7-17  
 King Pin, 4-3  
 Kit, Adaptor, Wiper, 4-29  
 Kit, Brace, Plenum, 2-59  
 Kit, Brake Pad, 4-7  
 Kit, Brake, Parking Stop, 2-47  
 Kit, Cab, Open, 3-57  
 Kit, Cl, Backup Alarm, [Atlv], 3-5  
 Kit, Ci, Bag, Dust, [Atlv4300], 3-45  
 Kit, Ci, Broom Holder, [Atlv], 3-22  
 Kit, Ci, Filter Latch, 3-37, 3-41  
 Kit, Ci, Instmt Pnl, [Atlv], 2-15  
 Kit, Ci, Seal, Hppr Cover, [Atlv], 2-57  
 Kit, Ci, Seal, Hppr, Cover. [Atlv], 2-55  
 Kit, Cooler-Hyd, 2-37  
 Kit, Cylinder (Replc. 367104), 2-43  
 Kit, Fence Line, 3-55  
 Kit, Head Only, Vacuum [ATLV 4300], 3-25, 3-27  
 Kit, High Temp. Eng. Shutdown, 3-11  
 Kit, Holder, 3-59

## CROSS REFERENCE

Kit, Hub Assy, 4-5  
Kit, Light, Revl, Amb, Atlv430, 3-9  
Kit, Light, Work, 3-7  
Kit, Maint, 400Hour, (4300D), 2-3  
Kit, Maint, 800 Hours, (4300D), 2-3  
Kit, Replcmt, Bag, Fltr, 2-3  
Kit, Replmt Bag, Filter Atlv, 2-53  
Kit, Rod End, 2-43  
Kit, Rotating, Piston, Pump, Hyd, 4-23  
Kit, Seal, Hyd, Pump, 4-21, 4-23  
Kit, Shaft, Bearing, 4-13  
Kit, Spring, 4-11  
Kit, Tire, Rear Traction, 3-20  
Kit, Tool Box, 3-13  
Kit, Transport, 3-53  
Knob 4 Prong W/.31-18 Insert, 2-61, 3-31  
Knob, Push/Pull, 3-33  
Knob, 3-35

### L

Label Kit, Hazard, 2-85  
Label Kit, Operational, 2-85  
Label Set, Info/Hzrd [Multi-Mach], 2-85  
Label, Letter, 2-85  
Label, Numerals 4300, 2-85  
Label, Slow Moving Vehicle, 3-3  
Label, Tennant Logo, 2-85, 3-57  
Label, Warning-Noise, 2-85  
Lamp Assy, Rotating, Halogen,, 3-3, 3-9  
Lamp, Halogen H1 12V 55W, 3-3, 3-9  
Lamp, Indicator 12 Volt, 2-15  
Lamp, Indicator 12V, 3-3, 3-17  
Lamp, 2-5, 3-3, 3-5  
Lanyard, Fire Door, 2-53  
Latch Draw Lock, 3-13  
Latch, Cover, Access, 2-7, 2-9, 2-39  
Latch, Trigger, 2-11  
Latch, 2-59, 3-37, 3-41  
Lens, Blue, Light, Revl, 3-9  
Lens, Clear, 2-13  
Lens, Red, Light, Revl, 3-9  
Lens, Rev, Amber, 3-9  
Lense, Rev, Amber, 3-3  
Lever Assy, Fork [Ku], 6-26  
Lever Assy, Govnr [Ku], 5-28  
Lever Head Lift Lh, 3-29  
Lever Head Lift Rh, 3-29  
Lever Wldt, Propel [Atlv], 2-71  
Lever, Adjustable, Plastic, 2-65  
Lever, Assy, 7-26  
Lever, Cntrl, Spd [Ku], 5-32, 6-30  
Lever, Comp, 7-30  
Lever, Eng Stop, 7-30  
Lever, Fork [Ku], 6-26  
Lever, Fork 2, 7-26  
Lever, Fork, Shaft [Ku], 6-26  
Lever, Gov [Ku], 5-28  
Lever, Plate, Cntrl [Ku], 5-32, 6-30  
Lever, Stop [Ku], 5-32, 6-30  
Lever, Thrust [Ku], 5-28  
Light Assy Mark/Yel 12V- . A, 3-3

Light Inst/Clr 12V, 2-15  
Lights, Work, 3-7  
Liner Kit, W/Bottom, 3-15  
Liner, Lh W/Bottom, 3-15  
Liner, Lh, 2-55, 2-57  
Liner, Rh W/Bottom, 3-15  
Liner, Rh, 2-55, 2-57  
Link, .12 X 1.5 X 9.0L 2/.38H, 3-33  
Link, Connecting, 2-43  
Link, Head, 3-29  
Link, Lh, 3-25, 3-27  
Link, Rh, 3-25, 3-27

### M

Manifold Assy, Inlet Rep.By361404, 5-43  
Manifold Assy, Inlet, 5-43, 6-41  
Manifold, Exhaust [Ku], 5-42, 6-40  
Manifold, Inlet, 7-41  
Manifold,Exh, 7-40  
Manual Pkg 4300, 3-66  
Manual, Fiche, 4300, 3-66  
Manual, Operator, 4300 ES, 3-66  
Manual, Operator, 4300 FR, 3-66  
Manual, Service, 4300, 3-66  
Metl1, Side, 7-21  
Mirror, Loop, Black, 4-29  
Mirror, Rear View, 2-61  
Model 215, Swpr, Rider, Gas, MI-D, 2-39  
Molding, Rigid, 54.75 Lg, 2-53  
Molding, Trim 3.0 Lg, 2-7  
Molding, Trim 7.0 Lg, 2-7  
Molding, Trim, Pvc, .00-.06 27.3l, 4-29  
Molding, Trim, 4-29  
Molding, Window, 4-29  
Motor, Hyd (See Breakdowns), 2-51  
Motor, Hyd Gear Ex 0.50 L 3000, 4-17  
Motor, Hyd Gear In 08.0 B 3000 (See Breakdowns), 2-45  
Motor, Hyd Gear, 4-13  
Motor, Wiper, 2-Sp, 4-29  
Mount, Nozzle, 3-49  
Mount, Tube, Front, Lh, 4-29  
Mount, Tube, Front, Rh, 4-29  
Muffler, Exhaust, 2-29

### N

Nozzle, Spray, 0.07Gpm, 3-49  
Nozzle, Spring [Ku], 6-32  
Nut [Ku], 6-27, 6-32  
Nut Assy, 2-25, 3-61  
Nut, Cap [Ku], 5-26, 6-24  
Nut, Cap, Cam [Ku], 5-25, 6-23  
Nut, Cap, 7-11, 7-23  
Nut, Flange [Ku], 6-27  
Nut, Flng [Ku], 6-31  
Nut, Hex, Flange[Ku], 6-30

Nut, Hex [Ku], 5-9, 5-21, 5-26, 5-29, 5-32, 5-37, 5-38, 5-42, 6-9, 6-19, 6-24, 6-30, 6-35, 6-40, 7-27  
Nut, Hex Jam, 4-3  
Nut, Hex, Cap, 5-11, 5-13, 6-11  
Nut, Hex, Flange, .31-18, Large, 2-61  
Nut, Hex, Flange, .31-18, 3-31  
Nut, Hex, Flange, M06-1.0, 2-19, 2-23  
Nut, Hex, Flange, M08-1.25, 2-5, 2-15, 2-23, 2-37, 2-39, 2-49, 2-61, 3-5, 3-13, 3-22, 3-59  
Nut, Hex, Flange, M10-1.5, 3-53  
Nut, Hex, Flng, .31-18, 2-39  
Nut, Hex, Jam, .31-18, 3-31  
Nut, Hex, Jam, .31-24, 3-31  
Nut, Hex, Jam, .38-16, Ss, 3-31  
Nut, Hex, Jam, .69-16, Thin, 3-49  
Nut, Hex, Jam, .75-16, 2-43  
Nut, Hex, Jam, M20 X 1.5 X 4, 2-17  
Nut, Hex, Lock, .25-20, NI, 2-31, 2-45, 2-55, 2-57, 2-71, 2-75, 3-39, 3-43  
Nut, Hex, Lock, .25-28, NI, 2-71  
Nut, Hex, Lock, .31-18, NI, Thin, 2-59  
Nut, Hex, Lock, .31-18, NI, 2-13, 2-59, 2-61  
Nut, Hex, Lock, .44-20, NI, Ss, 2-43  
Nut, Hex, Lock, .50-13, NI, Ss, 2-43  
Nut, Hex, Lock, .75-10, NI, 2-43  
Nut, Hex, Lock, #10-32, NI, 2-53  
Nut, Hex, Lock, M04-0.7, NI, Ss, 3-17  
Nut, Hex, Lock, M05 X 0.8, NI, Ss, 2-55  
Nut, Hex, Lock, M05-0.8, NI, Ss, 3-3  
Nut, Hex, Lock, M05-0.8, NI, 2-5, 3-13, 3-35  
Nut, Hex, Lock, M06 X 1.0, NI, Ss, 2-55, 2-57, 3-41  
Nut, Hex, Lock, M06 X 1.0, NI, 3-49  
Nut, Hex, Lock, M06-1.0, NI, 3-35  
Nut, Hex, Lock, M06-1.0, NI, Ss, 2-47, 2-65, 3-25, 3-27, 3-33, 3-37  
Nut, Hex, Lock, M06-1.0, NI, 2-11, 2-13, 2-15, 2-17, 2-23, 2-53, 2-65, 2-73, 3-29  
Nut, Hex, Lock, M08 X 1.25, NI, Ss, 3-39, 3-41, 3-43  
Nut, Hex, Lock, M08 X 1.25, NI, 2-59, 3-47  
Nut, Hex, Lock, M08-1.0, NI, 2-35  
Nut, Hex, Lock, M08-1.25, NI, Ss, 2-63, 3-25, 3-27, 3-31, 3-33, 3-35, 3-37  
Nut, Hex, Lock, M08-1.25, NI, 2-19, 2-23, 2-25, 2-43, 2-47, 2-55, 2-57, 2-63, 2-65, 3-25, 3-27, 3-29, 3-31, 3-55, 3-57, 3-61  
Nut, Hex, Lock, M08-1.25, 3-14  
Nut, Hex, Lock, M10 X 1.5, NI, 2-71  
Nut, Hex, Lock, M10-1.5, NI, Ss, 2-43  
Nut, Hex, Lock, M10-1.5, NI, 2-5, 2-51, 3-57  
Nut, Hex, Lock, M12-1.75, NI, 2-5, 2-19, 2-21, 2-45  
Nut, Hex, Lock, M8 X 1.25, NI, 2-27, 2-29, 2-39, 3-63



Nut, Hex, Lock, M8X1.25, NI, 2-63  
 Nut, Hex, M05-0.8, Ss, 3-3, 3-9  
 Nut, Hex, Std M5, 3-5  
 Nut, Hex, Std, .25-20, 2-11, 2-55, 2-57, 3-39, 3-43  
 Nut, Hex, Std, .25-28, 2-71  
 Nut, Hex, Std, .31-18, Ss, 3-33  
 Nut, Hex, Std, .31-18, 2-37, 2-39, 2-61  
 Nut, Hex, Std, .38-16, Ss, 3-35  
 Nut, Hex, Std, M03-0.5, 2-15  
 Nut, Hex, Std, M05 X 0.8 , Ss, 3-49  
 Nut, Hex, Std, M06-1.0 , Ss, 2-5  
 Nut, Hex, Std, M08-1.25, Ss, 3-14  
 Nut, Hex, Std, M08-1.25, 2-55, 2-57  
 Nut, Hex, Std, M10 X 1.25, 2-29  
 Nut, hexagon, 7-35  
 Nut, Jam, 4-3, 4-5  
 Nut, Long, 4-27  
 Nut, Nozzle [Ku], 6-32  
 Nut, Slot Hex, 4-3  
 Nut, Spindle, 4-5  
 Nut, U, M06-1.0, 2-15  
 Nut, U, M08-1.25, 2-7, 2-9  
 Nut, Wheel, .50-20 X 60 Angle, 2-43, 2-45  
 Nut, Wing, .31-18, 2-41  
 Nut, Cap, 7-24  
 Nut, 4-13, 4-25, 6-35, 7-9, 7-19, 7-24, 7-30, 7-36, 7-40, 7-42

**O**

O ring, 7-29  
 O-Ring, 7-3, 7-5, 7-7, 7-9, 7-11, 7-13, 7-21, 7-30  
 O-ring, 7-12  
 Oil Pan, Comp, 7-5  
 Oil Seal, 7-30  
 Oil Switch, 7-7  
 Oilgauge Guide, 7-13

**P**

Pad, Wear Plactic, 3-25, 3-27  
 Pad, 2-49  
 Paint, Can, Acrylic Blue, 2-3  
 Paint, Can, Acrylic Green, 2-3  
 Paint, Can, Acrylic Off/White, 2-3  
 Paint, Can, Acrylic Purple, 2-3  
 Paint, Can, Acrylic Red, 2-3  
 Paint, Can, Acrylic Yellow, 2-3  
 Pan, Oil, Complt [Ku], 5-5, 6-5  
 Pane, Glass, Front, 4-29  
 Pane, Glass, Side, 4-29  
 Pane, Poly-C, 2-55, 2-57  
 Pane, Window, 3-57  
 Panel Wldt, Engine Cover Blue, 2-11  
 Panel Wldt, Engine Cover Green, 2-11  
 Panel Wldt, Engine Cover Purpl, 2-11  
 Panel Wldt, Engine Cover Red, 2-11  
 Panel Wldt, Engine Cover White, 2-11  
 Panel Wldt, Engine Cover Yello, 2-11

Panel Wldt, White [ALTV], 2-9  
 Panel, Engine, Rear, 2-11  
 Panel, Headlight Pocket, 2-13  
 Panel, Indicator Lights, 2-15  
 Panel, Louver Blue, 2-7, 2-9  
 Panel, Louver Green, 2-7, 2-9  
 Panel, Louver Purple, 2-7, 2-9  
 Panel, Louver Red, 2-7, 2-9  
 Panel, Louver White, 2-7, 2-9  
 Panel, Louver Yellow, 2-7, 2-9  
 Panel, Mtg, Instmt, Atlv, 2-15  
 Panel, Shrd, Radiator, 2-39  
 Panel, Shroud, Radiator, 2-37  
 Panel, Side Left Purple, 2-7  
 Panel, Side, Left Blue, 2-7  
 Panel, Side, Left Green, 2-7  
 Panel, Side, Left Red, 2-7  
 Panel, Side, Left White, 2-7  
 Panel, Side, Left Yellow, 2-7  
 Panel, Side, Lh, Abs, 2-7  
 Panel, Side, Rh, Abs, Trimmed, 2-9  
 Panel, Side, Right Blue, 2-9  
 Panel, Side, Right Green, 2-9  
 Panel, Side, Right Purple, 2-9  
 Panel, Side, Right Red, 2-9  
 Panel, Side, Right White, 2-9  
 Panel, Side, Right Yellow, 2-9  
 Pawl, 3-41  
 Pedal Wldt, Brake Lh, 2-47  
 Pedal Wldt, Brake Rh, 2-47  
 Pedal, Upper, 2-49  
 Pedel Wldt, Lower, 2-49  
 Pin, Adjusting, 2-61  
 Pin, Clamp [Ku], 5-31, 6-29  
 Pin, Clamp, 7-43  
 Pin, clamp, 7-29  
 Pin, Clevis, 0.50DX2.62L, 3-57  
 Pin, Clevis, 2-45, 2-47, 2-49, 2-55, 2-57, 2-59, 2-61, 2-63, 2-65, 3-18, 3-29  
 Pin, Cotter, .062 X 0.75, 3-29, 3-41  
 Pin, Cotter, .125X1.00, 3-57  
 Pin, Cotter, 2-13, 2-45, 2-47, 2-49, 2-55, 2-57, 2-59, 2-61, 2-63, 3-25, 3-27, 3-29, 3-37, 4-5  
 Pin, Dowel [Ku], 5-3, 6-3  
 Pin, Dowel, Pump, Hyd, 4-23  
 Pin, Dowel, 4-17, 4-19, 4-21  
 Pin, Eng [Ku], 5-3  
 Pin, Hair Cotter, 2-49, 2-53, 2-65, 3-18  
 Pin, Joint, Inj [Ku], 5-31, 6-29  
 Pin, joint, 7-29  
 Pin, King, 4-5  
 Pin, Pipe, 7-3  
 Pin, Piston [Ku], 5-23, 6-21  
 Pin, Piston, 7-21  
 Pin, Pivot, 4-7  
 Pin, Roll, 2-21  
 Pin, Spring [Ku], 5-32, 6-19, 6-30  
 Pin, Spring, Start [Ku], 5-3, 6-3  
 Pin, Spring, 7-30  
 Pin, Straight [Ku], 6-9  
 Pin, Straight, 7-3  
 Pin, Tappet [Ku], 5-31, 6-29

Pin, tappet guide, 7-29  
 Pin, Threaded, 2-61  
 Pin, Start Sprngku, 7-3  
 Pin, 2-43, 4-11, 4-13  
 Pinion, Bevel, 6-35  
 Pipe Assy, Oil, 7-43  
 Pipe Assy, 7-31  
 Pipe Asy, Oflow, 7-31  
 Pipe joint, 7-12  
 Pipe, Breather [Ku], 5-11, 5-13, 6-11  
 Pipe, Breather, 7-11  
 Pipe, Clip [Ku], 6-31  
 Pipe, Exhaust, Die, Turbo, 3-59  
 Pipe, Fltr, Oil [Ku], 5-14, 6-12  
 Pipe, Oil, 7-43  
 Pipe, Return, Pump, Water[Ku] 16241-, 5-39  
 Pipe, Water [Ku], 7-37  
 Pipe, Water [Kubota], 6-37  
 Pipe, Water Ret, 7-36  
 Pipe, Water, Return, 6-36  
 Pipe, Water, 5-13, 6-11  
 Pipe, Water Retr, 7-36  
 Pipe, 7-43  
 Piston [+5mm, Ku], 6-21  
 Piston, Eng [Ku], 7-21  
 Piston, Eng [Ku], 5-23  
 Piston, Ring Assy [Ku], 6-21  
 Piston, Std [Ku], 6-21  
 Piston, 4-13  
 Plain Washer, 7-26  
 Plate Assy, Back, 4-21  
 Plate Assy, Control, 7-30  
 Plate Wldt, Fan Mount, 2-51  
 Plate Wldt, Head, 3-25, 3-27  
 Plate Wldt, Seat, Blue, 2-13  
 Plate Wldt, Seat, Green, 2-13  
 Plate Wldt, Seat, Purple, 2-13  
 Plate Wldt, Seat, Red, 2-13  
 Plate Wldt, Seat, White, 2-13  
 Plate Wldt, Seat, Yellow, 2-13  
 Plate Wldt, Valve, 3-35  
 Plate, Backing, 2-55, 2-57, 2-59  
 Plate, Bent Bumper, 3-31  
 Plate, Bent Pivot, 2-63  
 Plate, Bent Retainer Front, 3-25, 3-27  
 Plate, Bent, Gas Spring, 2-61  
 Plate, Bent, Hose Guide, 2-61, 2-63  
 Plate, Bent, Mounting, 3-31  
 Plate, Bent, Pulley, 3-29  
 Plate, Bent, Slide, 3-31  
 Plate, Bent, Wing, 2-63  
 Plate, Bent, 2-61, 3-31  
 Plate, Bracket, Wing, 2-63  
 Plate, Brake Stop, 2-47  
 Plate, Breather [Ku], 5-11  
 Plate, Cable, 3-31  
 Plate, Cntrl, Spd [Ku], 5-32, 6-30  
 Plate, Cover, 2-51, 4-21, 4-23  
 Plate, Diesel, Lh, 2-19  
 Plate, Diesel, Rh, 2-19  
 Plate, Eng, Rear [Ku], 5-24, 6-22  
 Plate, Latch (Repl. by 368586), 3-37

## CROSS REFERENCE

Plate, Mtg., 2-65  
Plate, Mtg, Spring, 3-39, 3-43  
Plate, Mtg, 2-17, 3-33  
Plate, Pump, Inj [Ku], 5-31, 6-29  
Plate, Retainer, Switch, 3-7  
Plate, Retainer, switch, 2-23  
Plate, Shield, Muffler, 2-29  
Plate, Shim, 2-59  
Plate, Skid, 2-5  
Plate, Spring Mount, 2-43  
Plate, Stop Parking, 2-47  
Plate, Top, 3-47  
Plate, Vacuum Exhaust, 2-53  
Plate, Valve, Pump, Hyd, 4-23  
Plate, Valve, 4-19, 4-21  
Plate, Wand, 3-33  
Plate, Wear, 4-11  
Plate, Window, 2-55  
Plate, Wldt, 2-63, 3-29  
Plate, Rear End, 7-22  
Plate, 2-19, 3-33, 3-35, 3-49, 4-13, 7-29  
Plug button, Black nyl., 2-9  
Plug Button, Black nyl, 2-11  
Plug button, White nyl., 2-9  
Plug Button, White nyl, 2-11  
Plug, Cup, Sealing [Ku], 5-3, 5-7, 6-3, 6-7  
Plug, Drain, Oil [Ku], 5-5, 6-5  
Plug, Eng [Ku], 5-3, 6-3  
Plug, Expandable, 0.75d, 3-35  
Plug, Expandable, 1.5D, 2-55  
Plug, Expandable, 1.5d, 2-57  
Plug, Expansion, 7-3  
Plug, Gauge, 4-25  
Plug, O-Ring, 4-21  
Plug, Pin, 7-3, 7-7  
Plug, S/A, 4-19, 4-21  
Plug, Switch, Rocker, 2-15, 2-23  
Plug, Drain, 7-5  
Plug, Oil Filt, 7-11  
Plug, 4-11, 4-13, 4-19, 4-25, 7-3, 7-5, 7-7, 7-9, 7-29, 7-36  
Plunger, Pump, Inj [Ku], 5-31, 6-29  
Plunger, Spring, 2-23  
Poppet, 4-13  
Pulley, Fan Driv, 7-38  
Pulley, 3-29  
Pump Assy, Injection, Fuel [Ku], 5-29, 5-31, 6-27, 6-29, 7-27  
Pump Assy, Water [Ku], 6-37  
Pump Driveshaft, 4-19, 4-21  
Pump, Fuel, 2-31, 3-65  
Pump, Hyd Gear Ex1 0.72 R 3000 (See Breakdowns), 2-69  
Pump, Hyd Gear, 4-15  
Pump, Hyd Piston (Repl. By 373399) (See Breakdowns), 2-69  
Pump, Hyd Piston (Repl. By 373433) (See Breakdowns), 2-69  
Pump, Hyd Piston (See Breakdowns), 2-69  
Pump, Hyd Piston V 1.44 R 3500, 4-21  
Pump, Hyd Piston, 4-19

Pump, Hyd, Piston [V] 1.44 [R] 3500, 4-23  
Pump, Oil, Cover [Ku], 6-9  
Pump, Oil, Eng [Ku], 5-9, 6-9  
Pump, Oil, 7-9  
Pump, Water, 12vdc, 0.5gpm Psi, 3-49  
Pump, Water, 5-39, 7-37  
Push Rod, 7-17

## R

Race, Bearing, Pump, Hyd, 4-23  
Race, Bearing, 4-3, 4-11, 4-19, 4-21  
Rack, control, 7-29  
Radiator Shroud Assy, 2-33, 2-35  
Radiator, Alm, 2-35  
Radiator, 2-33, 2-35  
Reflector, Amber, 2-5  
Regulator, Idle [Ku], 5-26, 6-24  
Relay, 12V, 2-15  
Relay, 12vdc, 40a, Spdt, [Potter], 3-49  
Repair Info, Motor, 4-13  
Repair Info, Pmp, 4-15  
Repair Info, 4-17, 4-19  
Reservoir Assy, Hyd w/Label, 2-75  
Retainer, Gear, Starter [Ku], 5-37, 6-35  
Retainer, Lh, 3-25, 3-27  
Retainer, Rh, 3-25, 3-27  
Retainer, Ring, 4-11  
Retainer, Screw, Thumb, 2-9  
Retainer, Spring [Ku], 5-21, 6-19  
Retainer, Spring, Valve [Ku], 5-21  
Retainer, 6-35, 7-19, 7-35  
Retaining Ring, 4-9, 4-17  
Rim, 8.00 X 7.00, 2-43  
Rim, 12.00 X 8.50, 3-21  
Ring [Ku], 6-21  
Ring Assy, Piston [Ku], 7-21  
Ring Assy, Piston [Ku], 5-23  
Ring Gear, 7-22  
Ring Set, Piston [Ku], 7-21  
Ring Set, Piston [Ku], 5-23  
Ring, Balance, 4-13  
Ring, Piston Assy [Ku], 6-21  
Ring, Plastic Split, 2-65  
Ring, Retaining, Circuitbreaker, 3-3, 3-5, 3-57  
Ring, Retaining, Ext, 0.75d, Ss, 3-47  
Ring, Retaining, Pump, Hyd, 4-23  
Ring, Retaining, 2-17, 2-47, 4-19, 4-21  
Ring, Retining Rep. Bynone, 4-23  
Ring, Slip, Plastic, 2-65  
Ring, Snap [Ku], 5-19, 5-25, 6-17  
Ring, Snap, Ext [Ku], 5-21, 5-28  
Ring, Snap, Piston [Ku], 5-23, 6-21  
Ring, Split, Plastic, 3-55  
Ring, 2-3, 2-65  
Rivet, Blind, .156d X 0.71 X .31d, 3-41  
Rivet, Blind, .187d X 0.44 X .38d, Alm, 3-41  
Rivet, Blind, .187d X 0.66 X .38d, Alm, 3-41

Rivet, Blind, .188d 0.82 X .38d, Alm, 2-57  
Rivet, Blind, .188d X 0.66 X .38d, Alm, 2-57  
Rivet, Plstc, .250d X 0.90, 2-27, 3-63  
Rivet, Pop .187 X .66 X 38 DHD, 2-55  
Rivet, Pop .187, 2-55  
Rivet, Pop .196dx.76x38dhd, 3-37  
Rivet, Pop-.134dx.43x.25dhd, 3-13  
Rivet, Pop, 2-65, 3-3, 3-15, 3-37  
Road Package Kit, 4300, 3-3  
Rocker Arm Assy, 7-19  
Rod Assembly, 4-9  
Rod Assy, Connecting [Ku], 5-23, 6-21  
Rod Wldt, Engine Cover, 2-11  
Rod, Bearing Set 0.2, 7-21  
Rod, Bearing Set 0.4, 7-21  
Rod, Cable, 3-31  
Rod, Pivot, Long, 3-29  
Rod, Pivot, Short, 3-29  
Rod, Prop, Seat, 2-13  
Rod, Push [Ku], 6-32  
Rod, Push, Valve [Ku], 5-19, 6-17  
Rod, Thrd, 2-71  
Rod, Threaded, 3-31  
Rod-End, 0.25-28rh Fem 0.25b [Teflon], 2-71  
Rod, 2-17  
Roller, Starter [Ku], 5-37, 6-35  
Roller, 7-35  
Rotating Kit, 4-19, 4-21

## S

Scr Flt M 5X0.8 12 See 25574, 2-65  
Scr Hex M 6X1.0 90, 2-73  
Scr Panssm 6X1.0 16, 2-17  
Scr Panssm 8X1.25 25 See 25577, 2-15  
Scr-Hex .31-18X4.50 Full Thd, 2-61  
Scr-Hex M12X1.75 80 10.9 Plt, 2-5  
Screen Assy, Radiator, 3-11  
Screen, Radiator, 2-9  
Screen, Vac Fan, 2-51  
Screw [Ku], 6-9  
Screw Assy, Adj [Ku], 5-26, 6-24  
Screw Hhc, 4-3  
Screw Set, 7-19  
Screw W/Washer, 7-11  
Screw, Adj, Rocker Arm [Ku], 5-21, 6-19  
Screw, Adj, Stop [Ku], 5-26, 6-24  
Screw, Adjusting, 7-19  
Screw, Bhc, 4-3  
Screw, Btn, M08 X 1.25 X 35, Ss, 3-47  
Screw, Butn, M08-1.25X 35, 10.9, 2-7, 2-9  
Screw, Cap, 4-5  
Screw, Cap, Pump, Hyd, 4-23  
Screw, Cap, 4-11, 4-15, 4-19, 4-21, 4-23  
Screw, Flat, .25-20 X 0.62, Al, 2-33, 2-35  
Screw, Flat, M05-0.8 X 60, 4.8, 2-5  
Screw, Flat, M08 X 1.25 X 20, 10.9, 3-33  
Screw, Flat, M08-1.25X 20, 10.9, 2-63  
Screw, Flt [Ku], 5-9

- Screw, Hex [Ku] 01023-50645, 7-41  
 Screw, Hex [Ku] 1123-50830, 7-42  
 Screw, Hex .62-18 X 0.75, Spcl, 2-71  
 Screw, Hex [Ku], 5-5, 5-7, 5-9, 5-15, 5-17, 5-24, 5-25, 5-31, 5-35, 5-38, 5-39, 5-40, 5-43, 6-5, 6-7, 6-9, 6-15, 6-19, 6-22, 6-26, 6-29, 6-30, 6-33, 6-36, 6-38, 6-41, 7-33  
 Screw, Hex 6X 1.0 16 Pltd, 3-16  
 Screw, Hex M08-1.25X20, 2-7, 2-9  
 Screw, Hex M10-1.5X 30, 2-7, 2-9  
 Screw, Hex Ss M8x1.25 20, 2-5  
 Screw, Hex, .25-20 X 0.75, Fmg, 3-57  
 Screw, Hex, .31-18 X 0.62, G5, 2-33, 2-35  
 Screw, Hex, .38-16 X 0.75, G5, 2-21, 2-75  
 Screw, Hex, .38-16 X 1.25, NI, 2-69  
 Screw, Hex, .38-16 X 1.75, Ss, 3-35  
 Screw, Hex, .50-13 X 2.25, G5, 2-43  
 Screw, Hex, .75-10 X 3.00, G5, 2-43  
 Screw, Hex, #08-32 X 0.38, Ss, 2-19, 2-23  
 Screw, Hex, Case, Brg, Main [Ku], 5-17, 6-15  
 Screw, Hex, Cshft [Ku], 5-40, 6-38  
 Screw, Hex, Flywheel [Ku], 5-24, 6-22  
 Screw, Hex, Fmg, M04-0.7 X 10, 2-31  
 Screw, Hex, Fmg, M05-0.8 X 16, 3-37  
 Screw, Hex, Fmg, M06-1.0 X 12, 2-19  
 Screw, Hex, Fmg, M06-1.0 X 20, 3-7  
 Screw, Hex, Fmg, M08-1.25X 25, 3-55  
 Screw, Hex, Head, Cyl [Ku], 5-7, 6-7  
 Screw, Hex, M04-0.7 X 20, 8.8, 3-17  
 Screw, Hex, M05 X 0.8 X 16, Ss, 3-49  
 Screw, Hex, M05-0.8 X 16, Ss, 3-35  
 Screw, Hex, M05-0.8 X 25, Ss, 3-3, 3-9  
 Screw, Hex, M06 X 1.0 X 12, 8.8, 3-49  
 Screw, Hex, M06 X 1.0 X 16, Ss, NI, 3-41  
 Screw, Hex, M06 X 1.0 X 16, Ss, 3-41  
 Screw, Hex, M06 X 1.0 X 20, Ss, 3-41  
 Screw, Hex, M06 X 1.0 X 25, Ss, 3-41  
 Screw, Hex, M06-1.0 X 12, Ss, 2-11, 2-13  
 Screw, Hex, M06-1.0 X 16, 8.8, 2-11, 2-13, 2-15, 2-17, 2-19, 2-31, 2-33, 2-35, 3-65  
 Screw, Hex, M06-1.0 X 16, Ss, 2-17, 3-37  
 Screw, Hex, M06-1.0 X 20, 8.8, 2-17, 2-23, 2-31, 3-65  
 Screw, Hex, M06-1.0 X 20, Ss, 3-25, 3-27, 3-37  
 Screw, Hex, M06-1.0 X 25, 8.8, 2-11, 3-61  
 Screw, Hex, M06-1.0 X 25, Ss, 2-65, 3-33  
 Screw, Hex, M06-1.0 X 35, 8.8, 2-11  
 Screw, Hex, M06-1.0 X 40, Ss, 2-51, 3-33  
 Screw, Hex, M06-1.0 X 55, Ss, 2-47  
 Screw, Hex, M06-1.0 X 40, 8.8, 3-35  
 Screw, Hex, M08 X 1.25 X 16, 8.8, 3-47  
 Screw, Hex, M08 X 1.25 X 20, Ss, 3-41, 3-47  
 Screw, Hex, M08 X 1.25 X 25, Ss, 3-33, 3-41  
 Screw, Hex, M08 X 1.25 X 30, Ss, 3-39, 3-43  
 Screw, Hex, M08-1.25 X 12, 8.8, 2-21  
 Screw, Hex, M08-1.25 X 16, 8.8, 2-33, 2-35  
 Screw, Hex, M08-1.25 X 16, 3-14  
 Screw, Hex, M08-1.25 X 20, 8.8, 2-17, 2-25, 2-37, 2-51, 2-55, 2-57, 2-61, 2-73, 3-5, 3-31, 3-59, 3-61  
 Screw, Hex, M08-1.25 X 20, Ss, 2-51, 2-59, 3-13, 3-22, 3-25, 3-27, 3-37, 3-55, 3-57  
 Screw, Hex, M08-1.25 X 25, 8.8, 2-7, 2-9, 2-11, 2-19, 2-23, 2-37, 2-39, 2-49, 2-51, 2-55, 2-57, 2-59, 3-25, 3-27, 3-29, 3-31, 3-59  
 Screw, Hex, M08-1.25 X 25, Ss, 2-47, 2-63, 3-31, 3-35, 3-37, 3-59  
 Screw, Hex, M08-1.25 X 30, 8.8, 3-29  
 Screw, Hex, M08-1.25 X 30, Ss, 2-47, 2-59  
 Screw, Hex, M08-1.25 X 30, 2-47  
 Screw, Hex, M08-1.25 X 35, 8.8, 2-5, 2-23  
 Screw, Hex, M08-1.25 X 35, Ss, 3-25, 3-27  
 Screw, Hex, M08-1.25 X 40, 8.8, 2-55, 2-57, 2-63  
 Screw, Hex, M08-1.25 X 40, Fl, 2-59  
 Screw, Hex, M08-1.25 X 40, Ss, 3-57  
 Screw, Hex, M08-1.25 X 45, Ss, 3-25, 3-27  
 Screw, Hex, M08-1.25 X 50, 8.8, 3-29, 3-31  
 Screw, Hex, M08-1.25 X 80, 8.8, 2-43  
 Screw, Hex, M08-1.25 X 90, 8.8, 2-51, 3-25, 3-27  
 Screw, Hex, M08-1.25, Ss, 2-65  
 Screw, Hex, M10 X 1.25 X 35, 8.8, 2-29  
 Screw, Hex, M10 X 1.5 X 20, 8.8, 2-29  
 Screw, Hex, M10 X 1.50 X 40, 8.8, 2-71  
 Screw, Hex, M10-1.25 X 25, 8.8, 2-19  
 Screw, Hex, M10-1.25 X 40, 8.8, 2-25  
 Screw, Hex, M10-1.5 X 20, 8.8, 2-21  
 Screw, Hex, M10-1.5 X 25, 8.8, 2-19, 2-33, 2-35, 2-75  
 Screw, Hex, M10-1.5 X 25, Ss, 3-53, 3-57  
 Screw, Hex, M10-1.5 X 30, 8.8, 2-21  
 Screw, Hex, M10-1.5 X 35, Ss, 2-5, 3-57  
 Screw, Hex, M10-1.5 X 70, 8.8, 2-43  
 Screw, Hex, M10X1.5 35, 10.9, 2-51  
 Screw, Hex, M12-1.75 X 50, 8.8, 2-21, 2-45  
 Screw, Hex, M12-1.75 X 50, Ss, 2-43  
 Screw, Hex, M12-1.75 X 60, 8.8, 2-19, 2-43, 2-45  
 Screw, Hex, M6 X 1.0 X 20, 8.8, 2-35  
 Screw, Hex, M8 X 1.25 X 20, 8.8, 2-27, 2-39, 3-63  
 Screw, Hex, M8 X 1.25 X 25, Ss, 2-63  
 Screw, Hex, M8 X 1.25 X 30, 8.8, NI, 2-71  
 Screw, Hex, M8 X 1.25 X 35, NI, Ss, 2-71  
 Screw, Hex, M8 X 1.25 X 40, 8.8, 2-29  
 Screw, Hex, M8 X 1.25 X 55, Ss, 2-29  
 Screw, Hex, M8 X 1.25 X 70, Ss, 2-29  
 Screw, Hex, M8X1.25X30, 8.8, 2-63  
 Screw, Hex, W/ Washer [Ku], 5-11  
 Screw, Hex, 2-47  
 Screw, Mount, Spindle, 4-5  
 Screw, Pan [Ku], 5-33, 5-37, 6-31  
 Screw, Pan Head, 7-35  
 Screw, Pan M 5X0.8, 3-13  
 Screw, Pan, #12- X 0.50,, 2-51, 2-53  
 Screw, Pan, #12X0.50, 2-53  
 Screw, Pan, M 6 X 1.0 X 10, Ss, 2-59  
 Screw, Pan, M 6 X 1.0 X 35, Ss, 2-55, 2-57  
 Screw, Pan, M03-0.5 X 12, 4.8, 2-15  
 Screw, Pan, M05 X 0.8 X 25, Ss, 2-55  
 Screw, Pan, M05-0.8 X 12, Ss, 2-65, 3-39, 3-43  
 Screw, Pan, M05-0.8 X 20, Ss, 2-59, 3-3  
 Screw, Pan, M05-0.8 X 40, Ss, 3-3  
 Screw, Pan, M05-0.8x12, Ss, 2-53  
 Screw, Pan, M06 X 1.0 X 35, 4.8, 3-49  
 Screw, Pan, M06-1.0 X 16, 4.8, 3-3  
 Screw, Pan, M06-1.0 X 20, 2-23  
 Screw, Pan, M06-1.0 X 35, Ss, 2-15, 2-53  
 Screw, Pan, M08-1.25X 20, 4.8, 2-53, 2-61, 3-14  
 Screw, Pan, M08-1.25X 20, NI, 2-65  
 Screw, Pan, M08-1.25X 25, 4.8, 2-7, 2-9  
 Screw, Pan, M08-1.25X 25, 2-11  
 Screw, Pan, M6 X 1.0 X 25, Ss, 2-5  
 Screw, Pan, M6-1.0 x .35, Ss, 2-23  
 Screw, Pan, Ss M5x0.8 25, 3-5  
 Screw, Pan, 5-13, 6-11  
 Screw, Pump, Injection [Ku], 5-31, 6-29  
 Screw, Rod, Connecting [Ku], 5-23, 6-21  
 Screw, Set [Ku], 5-19, 5-21, 5-25, 6-17, 6-23  
 Screw, Set , 4-5  
 Screw, Set, 4-3, 7-17, 7-23  
 Screw, Soc [Ku], 5-29, 7-27  
 Screw, Soc, .25-20 X 2.25, Al, 2-71  
 Screw, Soc, .31-24 X 0.75, Al, 2-71  
 Screw, Soc, M08-1.25 X 35, Al, 2-21  
 Screw, Stop, Steering, 4-5  
 Screw, Thumb, .25D X 0.83, 2-9  
 Screw, Set, 7-19  
 Screw-Hex M10X1.25 20 8.8 Pltd, 2-19, 2-21  
 Screw, 4-19, 7-9, 7-29, 7-31  
 Seal Assy [Ku], 6-37

## CROSS REFERENCE

- Seal Kit, Cart, 4-25  
Seal Kit, Cartridge, 4-27  
Seal Kit, Coil, 4-25  
Seal Kit, Cyl, Hyd, 2-43  
Seal Kit, Cyl, 4-9  
Seal Kit, Mtr, 4-13, 4-17  
Seal Kit, Pump, 4-15, 4-19  
Seal Kit, Stg, 4-11  
Seal, Bearing, 2-17  
Seal, Boot, Steering Column, 2-17  
Seal, Bubble Duro Gasket, 2-17  
Seal, Bulb, 1.00 Dia, 123.0 Lg, 2-3  
Seal, Bulb, 17.58 Lg, 2-7  
Seal, Bulb, 33.0 Lg, 2-9  
Seal, Bulb, 56.25 Lg., 3-41  
Seal, Bulb, 7.5 Lg, 2-7  
Seal, Bulb, 90, 0.50D .06-.09Grip 24L, 2-11  
Seal, Bulb, Sd-168, 23.00 Lg, 2-11  
Seal, Door, 3-37  
Seal, Flywheel, 2-21, 2-31, 2-75  
Seal, Foam Rbr .12 X .38 X 60., 2-51  
Seal, Foam Rubber .12X .375 X, 2-7, 2-9  
Seal, Foam Rubber, 3-11  
Seal, Foam, 0.06 0.25W 76.0L, Adh, 2-7, 2-9  
Seal, Foam, 2-15, 2-53  
Seal, Headlight, 2-13  
Seal, Heat, Nozzle [Ku], 5-33, 6-31  
Seal, Heat, 7-31  
Seal, Hub, 4-5  
Seal, Oil [Ku], 5-32, 6-15, 6-30  
Seal, Oil, Eng [Ku], 5-9  
Seal, Oil, Front [Ku], 6-9  
Seal, Oil, Rear [Ku], 5-17  
Seal, Oil, 7-15  
Seal, Org [Ku] 04814-00090, 7-43  
Seal, Org [Ku], 5-3, 5-5, 5-9, 5-11, 5-14, 5-15, 5-23, 5-31, 5-32, 6-12, 6-13, 6-29, 6-30  
Seal, Org, 5-7, 5-13, 5-14, 6-5, 6-11, 6-12, 6-35  
Seal, Oring, 2-69, 3-59  
Seal, Pump, Water [Ku], 5-39  
Seal, Rubber, 2-35, 3-31  
Seal, Stem, Valve [Ku], 5-21  
Seal, Ure, 2-51  
Seal, Urethane, .37X.37X62.OI, 2-33, 2-35  
Seal, Valve, 8.0, 3-35  
Seal, Valve, Stem [Ku], 6-19  
Seal, Valve, 3-33, 7-19  
Seal, Water Pump, 7-37  
Seal, Oil, 7-9  
Seal, 2-23, 4-3  
Seat Deluxe Suspension Kit, 4300 (Kit does not include armrest), 3-14  
Seat, Dlx, W/O Arm [Grammer #128001], 3-14  
Seat, spring lower, 7-29  
Seat, spring upper, 7-29  
Seat, Spring, Lower, Injector [Ku], 5-31, 6-29  
Seat, Spring, Upper, Injector [Ku], 5-31, 6-29  
Seat, Suspension, 2-13  
Seat, Valve, Exhaust [Ku], 5-7  
Seat, Valve, Int [Ku], 5-7  
Seat, Exh. Valve, 7-7  
Seat, Int. Valve, 7-7  
Seatbelt, 2-5  
Send-Unit, Fltr, Hyd, 2-75  
Sending Unit, 2-31  
Shaft Assy, Govnr [Ku], 6-23  
Shaft Assy, Gov, 7-23  
Shaft, Arm, Rocker [Ku], 5-21, 6-19  
Shaft, Gear, 7-17  
Shaft, Gov, 7-23  
Shaft, Govnr [Ku], 5-25, 5-28, 6-23  
Shaft, Govnr, Weight [Ku], 6-23  
Shaft, Idler, Gear [Ku], 5-19, 6-17  
Shaft, Lever, Spd [Ku], 5-32, 6-30  
Shaft, Lever, 7-26, 7-30  
Shaft, Wiper, Hd, 4-29  
Sheave, Cshft [Ku], 5-40, 6-38  
Sheave, Fan [Ku], 5-40, 6-38  
Shield, Breather, 5-13  
Shield, Oil, Breather [Ku], 5-11  
Shim Kit, 4-19, 4-21, 4-23  
Shim, Injection, 0.175mm [Ku], 6-27  
Shim, Injection, 0.20mm [Ku], 5-29, 6-27, 7-27  
Shim, Injection, 0.25mm [Ku], 5-29, 6-27, 7-27  
Shim, Pump, Injection, .3 [Ku], 5-29, 6-27, 7-27  
Shim, Pump, Injection, .35 [Ku], 6-27  
Shim, Tappet, Injection [Ku], 5-31, 6-29  
Shim, 7-29  
Shock Absorber, 2.3 Strk, 2-71  
Side Met1(04), 7-21  
Signal, Turn, 3-3  
Sleeve, Cntrl, Pump, Injection [Ku], 5-31, 6-29  
Sleeve, control, 7-29  
Sleeve, Govnr [Ku], 5-25, 6-23  
Sleeve, Head Pivot, 3-25, 3-27  
Sleeve, Lift Arm, 3-25, 3-27  
Sleeve, Nyl See60150 #33 60.0L, 2-51  
Sleeve, P/M, 0.32B 0.50D 0.5L [430Ss], 2-23  
Sleeve, P/M, 0.496d 0.318b 0.25l 430ss, 2-63  
Sleeve, P/M, 0.496D 0.318B 0.31L 430Ss, 3-47  
Sleeve, P/M, 0.496d 0.318b 1.25l 430ss, 2-29  
Sleeve, Plastic, 2-65  
Sleeve, 2-5, 2-7, 2-9, 2-17, 2-43, 2-47, 2-55, 2-57, 2-63, 3-3, 3-5, 3-25, 3-27, 3-29, 3-31, 3-37, 3-39, 3-41, 3-43, 3-57, 4-9, 7-38  
Solenoid Kit, Stop, Eng, Dsl, Replmt, 5-27, 7-25  
Solenoid, 12V, 4-25  
Solenoid, Starter [Ku], 5-37, 6-35  
Solenoid, Stop, Eng, Dsl, 12vdc [Ku], 6-25  
Solenoid, Valve, Hyd, 12vdc, 4-27  
Spacer [Ku], 6-32  
Spacer, 1.00ld X 1.375Od X .048T, 3-59  
Spacer, Fan [Ku], 5-41, 6-39  
Spacer, Lever, Throttle, 2-23  
Spacer, Screen, 2-51  
Spacer, Steel, .38id, .75od, .62lg, 2-29  
Spacer, 2-43, 2-71, 4-11  
Spd.Cntrl.Lever, 7-30  
Spindle, Adjustment, 2-47  
Spindle, 4-5  
Spring Assy, Centering, Lbs . Travel, 2-71  
Spring, deliv valve, 7-29  
Spring, Arm, 7-19  
Spring, Brush, Starter [Ku], 5-37  
Spring, Brush, 6-35  
Spring, brush, 7-35  
Spring, Cmpr, Plunger [Ku], 5-31, 6-29  
Spring, Cmpr, Relief [Ku], 5-9, 6-9  
Spring, Cmpr, Rocker [Ku], 5-21, 6-19  
Spring, Cmpr, Valve, Injector [Ku], 5-31, 6-29  
Spring, Compression, 2-17  
Spring, Die .62ld 1.25Od 1.75L, 3-25, 3-27  
Spring, Ext [Ku], 5-37  
Spring, Ext, Govnr [Ku], 5-28, 6-26  
Spring, Extn, 1.00od X 0.16wir, 5.4l, 2-59  
Spring, Gas 90 Lb 5.98 Spring, 2-63  
Spring, Gas, 2-59  
Spring, Return, 7-30  
Spring, Start [Ku], 5-28  
Spring, Start, Govnr [Ku], 6-26  
Spring, Tension, 2-45, 2-55, 2-57, 3-29, 3-39, 3-43  
Spring, Tors [Ku], 5-32, 6-30  
Spring, Torsion, 2-13  
Spring, Valve [Ku], 5-21, 6-19  
Spring, Valve, 7-19  
Spring, Lever Ret, 4-7  
Spring, plunger, 7-29  
Spring, Start, 7-26  
Spring, 2-43, 4-13, 4-19, 4-21, 6-35, 7-9, 7-35  
Sprng, Tens .75 Od X .07 Wire, 3-29  
Starter, 12vdc [Ku], 5-35, 5-37, 6-33, 6-35, 7-33  
Stay, Dynamo, 7-38  
Steer Control, Hyd (See Breakdowns), 2-17  
Steer Control, Hyd#2 02.4 1500, 4-11  
Steering Axle, 4-3  
Stem, Valve, Hyd, 4-27  
Stop KIT, Solenoid, Ci [ATLV 4300], 7-25  
Stop Kit, Solenoid, Ci [Atlv 4300], 5-27  
Stopper, Cam [Ku], 5-19, 6-17  
Stopper, Fuel [Ku], 5-25, 6-23  
Stopper, 7-17, 7-23  
Strainer, Fluid, 3-49

Strainer, Hyd, 25gpm 100mesh Psi, 2-3  
 Strainer, Sprayer, 3-47  
 Strainer-Hyd Suction 25 100 03, 2-75  
 Strap, Gas, 2-31, 3-65  
 Strap, Hyd. Reservoir, 2-75  
 Strap, Rubber, 3-55  
 Strap, Wand, 3-35  
 Strap, 3-47  
 Strip, Backing, 3-37, 3-39, 3-41, 3-43  
 Strip, Mtg, Filter Hsg, 3-41  
 Strip, Mtg, Insulation, 2-55  
 Strip, Rubber, 2-61  
 Strip, Stiffener, Rear, 2-55, 2-57  
 Strip, Stiffener, Side, 2-55  
 Stud [Ku], 5-9, 5-21, 5-29, 5-32, 5-38, 5-42, 6-9, 6-19, 6-27, 6-30, 6-40, 7-27  
 Stud, Ball, Gas Spring, 2-59, 2-61, 2-63  
 Stud, 4-3, 7-9, 7-19, 7-30, 7-36, 7-40  
 Support, Pad, 4-7  
 Switch Assy, Roller, 3-5  
 Switch Ignition, 2-15  
 Switch Kit, Replmt, Thermostat, Eng, 2-19  
 Switch, Level, Water, 3-47  
 Switch, magnetic, 7-35  
 Switch, Press, Oil [Ku], 5-7, 6-7  
 Switch, Pushmom, Spst100A 12V, 2-23  
 Switch, Rocker, 36Vdc 16A Spdt On/Of/On, 3-7  
 Switch, Rocker, Dpdt, Mom-Off-Mom, 3-31  
 Switch, Rocker, Dpst, 2-15  
 Switch, Rocker, Hole Plug, 2-15  
 Switch, Rocker, Spdt, 2 Pos, 2-15  
 Switch, Rocker, Spdt, 3Pos, 2-23  
 Switch, Rocker, 3-31  
 Switch, Roller, 3-3  
 Switch, Thermal, 160Deg, Spdt, 3-17  
 Switch, Thermostat, Water, 2-19  
 Switch, Wiper, 4-29  
 Switch, 3-49  
 Swivel, 2-19, 2-23

**T**

Taillight (Replaced by 9004540), 2-5  
 Taillight, 12Vdc, 6.3 X 2.5, 2-5  
 Tailpipe, Muffler, 2-29  
 Tank, Coolant, 03.30w 4.7hi 04.7l, 1liter, 2-35  
 Tank, Fuel, 09.2Gal, Dsl, Replmt [2008], 2-31  
 Tank, Fuel, 2-31  
 Tank, Recovery, 2-33, 2-35  
 Tank, Water, Dust Control, [Atlv], 3-47  
 Tappet [Ku], 6-17  
 Tappet, Pump, Injection [Ku], 5-31, 6-29  
 Tappet, Valve [Ku], 5-19  
 Tappet, 7-17  
 Terminal, Bullet [Atlv], 5-40  
 Terminal, Bullet, Mal [Atlv], 5-40  
 Terminal, Qdc, [.25f, Insf, 14], 3-11

Terminal, Qdc, [.25m, Insf, 14], 3-11  
 Terminal, Qf, .25, 5-40  
 Terminal, Snap Plug, 3-5  
 Terminal, 2-15, 7-38  
 Thermostat Assy, 7-36  
 Thermostat, 160deg, 1.5d [Ku], 6-9  
 Thermostat, 160deg, 1.7d [Ku], 5-38, 6-36  
 Throttle Assy, 2-23  
 Thrust Bearing .4Mm, 7-21  
 Thrust Bearing .2Mm, 7-21  
 Thrust Bearing, 4-3  
 Thrustwasher, 7-23  
 Tie Cable 3.00D Max 3.34Lg, 2-31  
 Tie, Cable 4.00d Max 14.50lg, 3-7  
 Tie, Cable 1.75D Max 7.50Lg, 2-15  
 Tie, Cable, Nyl, 07.3l .19w 1.8 Max D, 2-71  
 Tie, Cable, Nyl, 11.4l .19w 3.0 Max D, 2-15  
 Tie, Cable, 3-5  
 Timer, [4 Sec On 6 Sec Off, 12 Volt], 3-49  
 Timer, Glow Plug, 2-15  
 Tire Kit, Front/Rear, Foam Filled, 3-19  
 Tire, [18x8.5-8 4 Pr], 2-43  
 Tire, 2-45  
 Trailer Hitch Kit, 3-18  
 Tread, Brake Pedal, 2-47  
 Tread, floor 11.0 X 16.0, 2-5  
 Tube - Carb. Air Intake, 2-25  
 Tube Assy, Vacuum Inlet, 2-65  
 Tube Holder Wldt, Garbage Bag, 2-59  
 Tube Wldt, Rop Yellow, 2-5  
 Tube Wldt, Exhaust, 1.6d 2h Flng, 2-29  
 Tube Wldt, Rop Blue, 2-5  
 Tube Wldt, Rop Green, 2-5  
 Tube Wldt, Rop Purple, 2-5  
 Tube Wldt, Rop Red, 2-5  
 Tube Wldt, Rop White, 2-5  
 Tube, 0.75D 0.38B 2.7L Stl Z, 2-51  
 Tube, Alum 1.12, 2-65  
 Tube, Alum 1.25 Dia, 2-65  
 Tube, Breather, Eng [Ku], 5-11  
 Tube, Breather, 5-13, 6-11  
 Tube, Drain, Starter, 6-35  
 Tube, Ds [Ku], 5-15  
 Tube, Fill, Radiator, 2-35  
 Tube, Floor Tool, 3-35  
 Tube, Fuel, .19D . L 03lf/B, 2-31  
 Tube, Fuel, .31D . L 05lf/0, 2-31  
 Tube, Fuel, .31D 6.0L 05lf/0, 2-31  
 Tube, Fuel, Overflow [Ku], 5-33, 6-31  
 Tube, Hose End, 2-65  
 Tube, Injector, Pipe #1 [Ku], 5-33, 6-31  
 Tube, Injector, Pipe #2 [Ku], 5-33, 6-31  
 Tube, Injector, Pipe #32 [Ku], 5-33, 6-31  
 Tube, Intake, 2.0d 02.0l, Flng, 2-27, 3-63  
 Tube, Oil, 7-43  
 Tube, Pickup, Oil [Ku], 5-5  
 Tube, Pickup, Oil [Sump, Ku], 6-5  
 Tube, Pickup, Oil, 7-5  
 Tube, Pin [Ku], 5-3, 6-3

Tube, Seat, Valve, Oil [Ku], 5-9, 6-9  
 Tube, Spacer, 2-43  
 Tube, Wand, Upper, 3-33  
 Tube, Wand, 3-35  
 Tube, Wldt, 2-63  
 Tube, 3-61  
 Turbocharger, 7-42

**V**

V-Belt, 7-38  
 Valve Drive, 4-13  
 Valve Plate, 4-13  
 Valve Seat, 7-9  
 Valve Stem, 4-25  
 Valve, Body, 3-35  
 Valve, Breather, Complt, 5-13, 6-11  
 Valve, By-Pass, Pump, Hyd, 4-23  
 Valve, By-Pass, 4-21  
 Valve, Bypass, 4-19  
 Valve, Cartridge, Check, 4-27  
 Valve, Cartridge, Flow Reg, 4-27  
 Valve, Cartridge, Piston, 4-27  
 Valve, Cartridge, Relief, 4-27  
 Valve, Cntrl, Hyd, Solenoid, 12Vdc 10Gpm (See Breakdowns), 2-73  
 Valve, Cntrl, Hyd, Solenoid, 12vdc 10gpm, 4-27  
 Valve, delivery, 7-29  
 Valve, Eng [Delivery, Ku], 5-31, 6-29  
 Valve, Exhaust [Ku], 5-21, 6-19  
 Valve, Exhaust, 7-19  
 Valve, Hyd Cntrl Sol (See Breakdowns) (Replaced by 1049639), 2-73  
 Valve, Hyd Cntrl Sol, 4-25  
 Valve, Intake [Ku], 5-21, 6-19  
 Valve, Relief, 3500 Psi, 4-23  
 Valve, Relief, 4-19, 4-21  
 Valve, 4-13  
 Video, Oprtr, Training, Dvd [ATLV], 3-66  
 Vr, Gasket, Manifold, Exh[Ku]15313-12370, 2-29

**W**

Washer [Ku], 6-32  
 Washer, #10 Lock, 4-3  
 Washer, 0.16B 0.44D .06, Alm, [Pop Rvt], 3-41  
 Washer, 0.20b 0.50d .06, Alm, 3-41  
 Washer, 0.40B 1.12D .12, Stl, Pl, 3-47  
 Washer, 0.69B 1.19D .06, Stl, Pl, 3-49  
 Washer, 0.91B 1.38D .06, Stl, Pl, 3-59  
 Washer, Belleville, .31, 3-31  
 Washer, Collar, Gear [Ku], 5-19  
 Washer, Felt [Ku], 5-37  
 Washer, felt, 7-35  
 Washer, Flat .31 Ss, 2-61  
 Washer, Flat [Ku], 5-21, 5-28, 5-32, 5-40, 6-19, 6-30, 6-38  
 Washer, Flat, .25 Fender, 2-61

## CROSS REFERENCE

- Washer, Flat, .25 Hard, 2-11, 2-13, 2-15, 2-31, 2-33, 2-35, 2-47, 2-59, 2-73, 2-75, 3-3, 3-61, 3-65
- Washer, Flat, .25 Sae, 2-13, 2-45, 2-51
- Washer, Flat, .25 Ss, 2-5, 2-11, 2-13, 2-17, 2-47, 2-53, 2-55, 2-57, 2-65, 3-3, 3-9, 3-25, 3-27, 3-33, 3-37, 3-57
- Washer, Flat, .31 Fender, 2-51, 3-29, 3-33, 3-37, 3-41
- Washer, Flat, .31 Hard, 2-5, 2-7, 2-9, 2-11, 2-13, 2-17, 2-19, 2-23, 2-25, 2-33, 2-35, 2-37, 2-39, 2-49, 2-51, 2-55, 2-57, 2-59, 2-61, 2-65, 2-73, 3-14, 3-29, 3-31, 3-61
- Washer, Flat, .31 Sae, 2-21, 2-37, 2-39, 2-45, 2-53, 3-5, 3-31, 3-59
- Washer, Flat, .31 Ss, 2-5, 2-7, 2-9, 2-41, 2-47, 2-51, 2-59, 2-63, 3-13, 3-22, 3-25, 3-27, 3-31, 3-35, 3-37, 3-39, 3-43, 3-55, 3-57
- Washer, Flat, .38 Hard, 2-7, 2-9, 2-19, 2-21, 2-33, 2-35, 2-43, 2-75
- Washer, Flat, .38 Sae, 2-21, 2-25, 2-51, 2-55, 2-57, 2-59, 2-69, 2-75
- Washer, Flat, .38 Ss, 2-5, 3-35, 3-53, 3-57
- Washer, Flat, .44 Std Hard, 2-43
- Washer, Flat, .50 Hard, 2-5, 2-43
- Washer, Flat, .50 Sae, 2-17, 2-19, 3-25, 3-27
- Washer, Flat, .75 Sae, 2-43, 2-55, 2-57
- Washer, Flat, #08 Ss, 3-17
- Washer, Flat, #10 Sae, 2-5, 2-53
- Washer, Flat, #10 Ss, 2-53, 2-55, 2-59, 2-65, 3-3, 3-33, 3-35, 3-37, 3-39, 3-43
- Washer, Flat, #10, 2-11, 2-17, 3-5
- Washer, Flat, 0.25 Ss, 3-35
- Washer, Flat, 0.25, Std, 2-35, 2-71
- Washer, Flat, 0.27B 0.69D .05, Ss, 2-7, 2-9
- Washer, Flat, 0.27b 0.69d .05, Ss, 2-39
- Washer, Flat, 0.31 Fender, 2-29
- Washer, Flat, 0.31 Ss, 2-63
- Washer, Flat, 0.31 Std, 2-29, 2-63
- Washer, Flat, 0.31, Sae, 2-71
- Washer, Flat, 0.31, Std, 2-27, 2-39, 3-63
- Washer, Flat, 0.31b 0.88d .12, Rbr, 2-71
- Washer, Flat, 0.33b 0.75d .18, Stil, Pl, 2-71
- Washer, Flat, 0.38 Sae, 2-29
- Washer, Flat, 0.38 Std, 2-29
- Washer, Flat, 0.38, Std, 2-71
- Washer, Flat, 0.40b 1.12d .12, Stil, Pl, 2-71
- Washer, Flat, 0.51b 1.00d .03, Nyl, 2-63
- Washer, Flat, 0.62, Sae, 2-71
- Washer, Flat, 0.75 Sae, 2-29
- Washer, Flat, 0.77b 2.00d .12, W/2 Hole, 2-71
- Washer, Flat, 0.81b 1.06d .06, Stil, 2-71
- Washer, Flat, Belleville, .31, 2-71
- Washer, Flat, Hard, 2-23
- Washer, Flat, 2-33, 2-35
- Washer, Flt, .31 Ss, 3-14
- Washer, Flt, .25 Sae, 3-49
- Washer, Flt, .25 Ss, 3-41
- Washer, Flt, .31 Ss, 3-33, 3-41
- Washer, Flt, .31 Std, 3-47
- Washer, Flt, #10 Ss, 3-49
- Washer, Flt, #10, 3-41
- Washer, Flt, Pump, Hyd, 4-23
- Washer, Lock, Int, .31, Ss, 2-37, 2-39, 3-59
- Washer, Lock, Int, #04, 2-15
- Washer, Lock, Int, #10, Ss, 3-3
- Washer, Lock, Int, 0.31, 2-39
- Washer, Lock, Int, 0.62, 2-71
- Washer, Lock, Int-Ext, .38, 2-21, 2-25, 2-49
- Washer, Lock, Int-Ext, #10, 2-31
- Washer, Lock, Split [Ku], 5-9, 5-29, 5-32, 5-38, 6-27, 7-27
- Washer, Nylon, 2-63
- Washer, Plain [Ku], 6-32
- Washer, Plain, 7-19, 7-30
- Washer, Pump, Hyd, 4-23
- Washer, Shaft, Rocker [Ku], 5-21, 6-19
- Washer, Spindle, 4-3
- Washer, Split Lock [Ku], 7-42
- Washer, Spring [Ku], 5-40, 6-35, 6-38
- Washer, Spring, 7-9, 7-30, 7-36, 7-38
- Washer, Thrust [Ku], 5-25, 6-23
- Washer, Plain, 7-38
- Washer, 2-7, 2-9, 2-21, 2-43, 3-25, 3-27, 3-31, 3-37, 3-57, 4-5, 4-19, 4-21, 4-23, 7-19
- Water Flange, 7-36
- Wear Ring, 4-9
- Weight, Comp, Govnr [Ku], 5-25, 6-23
- Weight, Stabilizer, 3-57
- Wheel Assy, At23X8-12, Left Hand, 3-20
- Wheel Assy, At23X8-12, Right Hand, 3-20
- Wheel Assy, Hi Wear, Front. [Atlv], 3-21
- Wheel Assy, Hi Wear, Rear. [Atlv], 3-21
- Wheel, 12.00 X 7.00, 2-45
- Wheel, 3.0 Dia, 3-25, 3-27
- Wheel, Pneumatic, Front, [Atlv 4300], 2-43
- Wheel, Steering, 14.0D 0.81B 36Tooth, 2-17
- Wheel/Tire Assy, 23X8.5-12 4Pr, 2-45
- Wheel/Tire Assy, Foam Filled, Front, 3-19
- Wheel/Tire Assy, Foam Filled, Rear, 3-19
- Wire Assy, Wiper, 4-29
- Wire, 16Ga 05.0L White .25Qm /.25mr (Used Without Thermal Sentry), 2-84
- Wire, Solenoid, Starter [Ku], 5-37, 6-35
- Wtr.Pmp.Flinge, 7-37
- Wtr.Retn.Pipe, 7-37

## Y

- Yoke, Lh, 4-3
- Yoke, Rh, 4-3
- Yoke, Starter [Ku], 5-37, 6-35
- Yoke, Steering, L.H., 4-5
- Yoke, Steering, R.H., 4-5
- Yoke, 2-65, 7-35



## We Need Your Help...

As part of Tennant's Zero Defects Program, we want to know about errors you have found or suggestions you may have regarding our machine manuals. If you find an error or have a suggestion, please complete this postage-paid form and mail it to us. Thank you for helping us make zero defects a way of life at Tennant.

Manual No. \_\_\_\_\_ Rev. No. \_\_\_\_\_ Publish Date \_\_\_\_\_ Page \_\_\_\_\_

Machine \_\_\_\_\_  Report Error  Suggestion

---

---

---

---

---

---

---

---

---

---

---

---

---

---

---

---

---

---

---

---

---

---

---

---

Name \_\_\_\_\_ Date \_\_\_\_\_

Customer Number \_\_\_\_\_

Company \_\_\_\_\_

Address \_\_\_\_\_

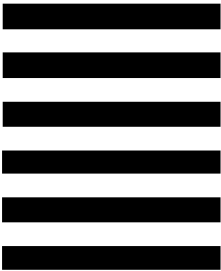
City/State/Zip Code \_\_\_\_\_



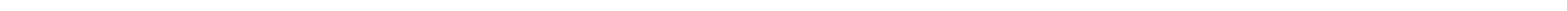
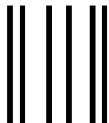
**TENNANT COMPANY**  
 Technical Publications #15  
 701 North Lilac Drive  
 P.O. Box 1452  
 Minneapolis, MN 55440-9947

POSTAGE WILL BE PAID BY ADDRESSEE

**BUSINESS REPLY MAIL**  
 FIRST CLASS MAIL PERMIT NO. 94 MINNEAPOLIS, MN

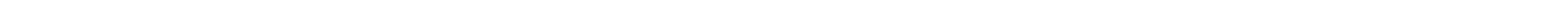


NO POSTAGE  
 NECESSARY  
 IF MAILED  
 IN THE  
 UNITED STATES



Fold along dotted lines

Tape here







# We Need Your Help...

As part of Tennant's Zero Defects Program, we want to know about errors you have found or suggestions you may have regarding our machine manuals. If you find an error or have a suggestion, please complete this postage-paid form and mail it to us. Thank you for helping us make zero defects a way of life at Tennant.

Manual No. \_\_\_\_\_ Rev. No. \_\_\_\_\_ Publish Date \_\_\_\_\_ Page \_\_\_\_\_  
Machine \_\_\_\_\_  Report Error  Suggestion

---

---

---

---

---

---

---

---

---

---

---

---

---

---

---

---

---

---

---

---

---

---

---

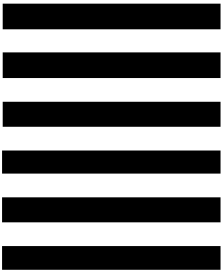
Name \_\_\_\_\_ Date \_\_\_\_\_  
Customer Number \_\_\_\_\_  
Company \_\_\_\_\_  
Address \_\_\_\_\_  
City/State/Zip Code \_\_\_\_\_



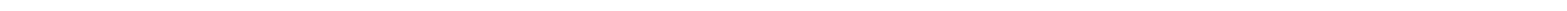
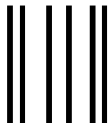
**TENNANT COMPANY**  
 Technical Publications #15  
 701 North Lilac Drive  
 P.O. Box 1452  
 Minneapolis, MN 55440-9947

POSTAGE WILL BE PAID BY ADDRESSEE

**BUSINESS REPLY MAIL**  
 FIRST CLASS MAIL PERMIT NO. 94 MINNEAPOLIS, MN



NO POSTAGE  
 NECESSARY  
 IF MAILED  
 IN THE  
 UNITED STATES



Fold along dotted lines

Tape here

