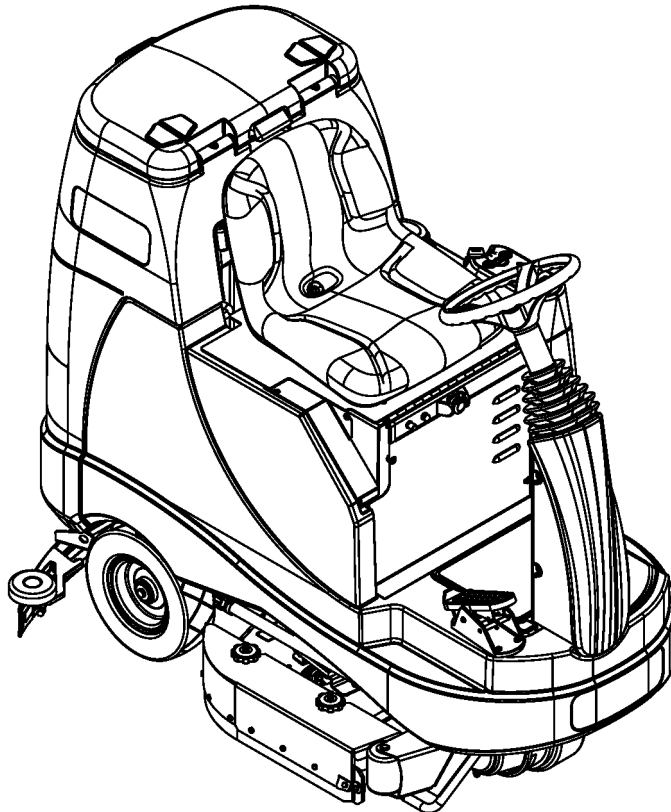


# Advenger™

## 2800ST, 3400ST



### Instructions For Use Instrucciones de uso

**Advance MODELS 56601000, 56601001, 56601002, 56601003, 56601004  
56601005, 56601006, 56601007, 56601008, 56601009, 56601010, 56601011  
56601012, 56601013, 56601019, 56601020**



# Advance

by Nilfisk-Advance

A-English  
B-Español



# A-2 / ENGLISH

## TABLE OF CONTENTS

	Page
Introduction.....	A-2
Cautions and Warnings.....	A-3
Consignes de prudence et de sécurité.....	A-4
Know Your Machine.....	A-5 – A-6
Control Panels.....	A-7 – A-8
<b>Prepare the Machine for Use</b>	
Install the Batteries.....	A-9
Install the Brushes.....	A-10
Install the Squeegee.....	A-11
Fill the Solution Tank.....	A-11
Detergent (AXP™) System.....	A-12 – A-13
<b>Operating the Machine</b>	
Scrubbing.....	A-14
Wet Vacuuming.....	A-15
After Use.....	A-16
Maintenance Schedule.....	A-16
Lubricating the Machine.....	A-16
Charging the Batteries (Wet).....	A-17
Check the Battery Water Level.....	A-17
Charging the Batteries (Gel).....	A-17
Squeegee Maintenance.....	A-18
Squeegee Adjustment.....	A-18
Side Skirt Maintenance.....	A-19
Side Skirt Maintenance.....	A-19
Troubleshooting.....	A-20
Technical Specifications.....	A-21

## INTRODUCTION

This manual will help you get the most from your Advance Rider Scrubber. Read it thoroughly before operating the machine.

**Note: Bold numbers in parentheses indicate an item illustrated on pages A-5 – A-8.**

This product is intended for commercial use only.

## PARTS AND SERVICE

Repairs, when required, should be performed by your Authorized Advance Service Center, who employs factory trained service personnel, and maintains an inventory of Advance original replacement parts and accessories.

Call the ADVANCE DEALER named below for repair parts or service. Please specify the Model and Serial Number when discussing your machine.

(Dealer, affix service sticker here.)

## NAME PLATE

The Model Number and Serial Number of your machine are shown on the Nameplate on the machine. This information is needed when ordering repair parts for the machine. Use the space below to note the Model Number and Serial Number of your machine for future reference.

MODEL NUMBER \_\_\_\_\_

SERIAL NUMBER \_\_\_\_\_

## UNCRATE THE MACHINE

When the machine is delivered, carefully inspect the shipping packaging and the machine for damage. If damage is evident, save the shipping carton (if applicable) so that it can be inspected. Contact the Advance Customer Service Department immediately to file a freight damage claim. Refer to the unpacking instruction sheet included with the machine to remove the machine from the pallet.

## CAUTIONS AND WARNINGS

### SYMBOLS

Advance uses the symbols below to signal potentially dangerous conditions. Always read this information carefully and take the necessary steps to protect personnel and property.

#### **DANGER!**

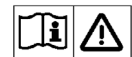
Is used to warn of immediate hazards that will cause severe personal injury or death.

#### **WARNING!**

Is used to call attention to a situation that could cause severe personal injury.

#### **CAUTION!**

Is used to call attention to a situation that could cause minor personal injury or damage to the machine or other property.



Read all instructions before using.

### GENERAL SAFETY INSTRUCTIONS

Specific Cautions and Warnings are included to warn you of potential danger of machine damage or bodily harm.

#### **WARNING!**

- \* This machine shall be used only by properly trained and authorized persons.
- \* While on ramps or inclines, avoid sudden stops when loaded. Avoid abrupt sharp turns. Use low speed down hills. Clean only while ascending (driving up) the ramp.
- \* Keep sparks, flame and smoking materials away from batteries. Explosive gases are vented during normal operation.
- \* Charging the batteries produces highly explosive hydrogen gas. Charge batteries only in well-ventilated areas, away from open flame. Do not smoke while charging the batteries.
- \* Remove all jewelry when working near electrical components.
- \* Turn the key switch off (O) and disconnect the batteries before servicing electrical components.
- \* Never work under a machine without safety blocks or stands to support the machine.
- \* Do not dispense flammable cleaning agents, operate the machine on or near these agents, or operate in areas where flammable liquids exist.
- \* Do not clean this machine with a pressure washer.
- \* Only use the brushes provided with the appliance or those specified in the instruction manual. The use of other brushes may impair safety.

#### **CAUTION!**

- \* This machine is not approved for use on public paths or roads.
- \* This machine is not suitable for picking up hazardous dust.
- \* Do not use scarifier discs and grinding stones. Advance will not be held responsible for any damage to floor surfaces caused by scarifiers or grinding stones (can also cause damage to the brush drive system).
- \* When operating this machine, ensure that third parties, particularly children, are not endangered.
- \* Before performing any service function, carefully read all instructions pertaining to that function.
- \* Do not leave the machine unattended without first turning the key switch off (O), removing the key and applying the parking brake.
- \* Turn the key switch off (O) and remove the key, before changing the brushes, and before opening any access panels.
- \* Take precautions to prevent hair, jewelry, or loose clothing from becoming caught in moving parts.
- \* Use caution when moving this machine in below freezing temperature conditions. Any water in the solution, recovery or detergent tanks or in the hose lines could freeze, causing damage to valves and fittings. Flush with windshield washer fluid.
- \* The batteries must be removed from the machine before the machine is scrapped. The disposal of the batteries should be safely done in accordance with your local environmental regulations.
- \* Do not use on surfaces having a gradient exceeding that marked on the machine.
- \* All doors and covers are to be positioned as indicated in the instruction manual before using the machine.

**SAVE THESE INSTRUCTIONS**

## CONSIGNES DE PRUDENCE ET DE SÉCURITÉ

### SYMBOLES

Les symboles reproduits ci-dessous sont utilisés pour attirer l'attention de l'opérateur sur des situations dangereuses. Il est donc conseillé de lire attentivement ces indications et de prendre les mesures adéquates en vue de protéger le personnel et le matériel.



### DANGER!

Ce symbole est utilisé pour mettre l'opérateur en garde contre les risques immédiats pouvant provoquer des dommages corporels graves, voire entraîner la mort.



### ATTENTION!

Ce symbole est utilisé pour attirer l'attention sur une situation susceptible d'entraîner des dommages corporels graves.



### PRUDENCE!

Ce symbole est utilisé pour attirer l'attention de l'opérateur sur une situation qui pourrait entraîner des dommages corporels minimes, ou des dommages à la machine ou à d'autres équipements.



Lire toutes les instructions avant d'utiliser l'appareil.

## CONSIGNES GENERALES DE SECURITE

Les consignes spécifiques de prudence et de sécurité mentionnées ici ont pour but de vous informer de la survenance de tout risque de dommages matériels ou corporels.



### ATTENTION!

- \* Cette machine ne pourra être utilisée que par du personnel parfaitement entraîné et dûment autorisé.
- \* Evitez les arrêts subits lorsque la machine est chargée et se trouve sur des rampes ou des plans inclinés. Evitez les virages serrés. Adoptez une vitesse réduite lorsque la machine est en descente. Ne nettoyez que lorsque la machine monte la pente.
- \* Eloignez les batteries de toutes flammes, étincelles ou substance fumigène. Les gaz explosifs sont ventilés pendant le fonctionnement normal.
- \* De plus, du gaz hydrogène explosif s'échappe des batteries lorsqu'elles sont en charge. Ne procédez au chargement des batteries que dans une zone bien ventilée, loin de toute flamme. Ne fumez pas à proximité des batteries lorsqu'elles sont en charge.
- \* Otez tous vos bijoux lorsque vous travaillez à proximité de composants électriques.
- \* Positionnez la clé de contact sur off (O) et déconnectez les batteries avant de procéder à l'entretien des composants électriques.
- \* Ne travaillez jamais sous une machine sans y avoir placé, au préalable, des blocs de sécurité ou des étais destinés à soutenir la machine
- \* Ne déversez pas d'agents nettoyants inflammables, ne faites pas fonctionner la machine à proximité de ces agents ou d'autres liquides inflammables.
- \* Ne nettoyez pas cette machine avec un nettoyeur à pression.
- \* Utilisez uniquement les brosses fournies avec l'appareil ou celles spécifiées dans le manuel d'instructions. L'utilisation d'autres brosses peut mettre la sécurité en péril.



### PRUDENCE!

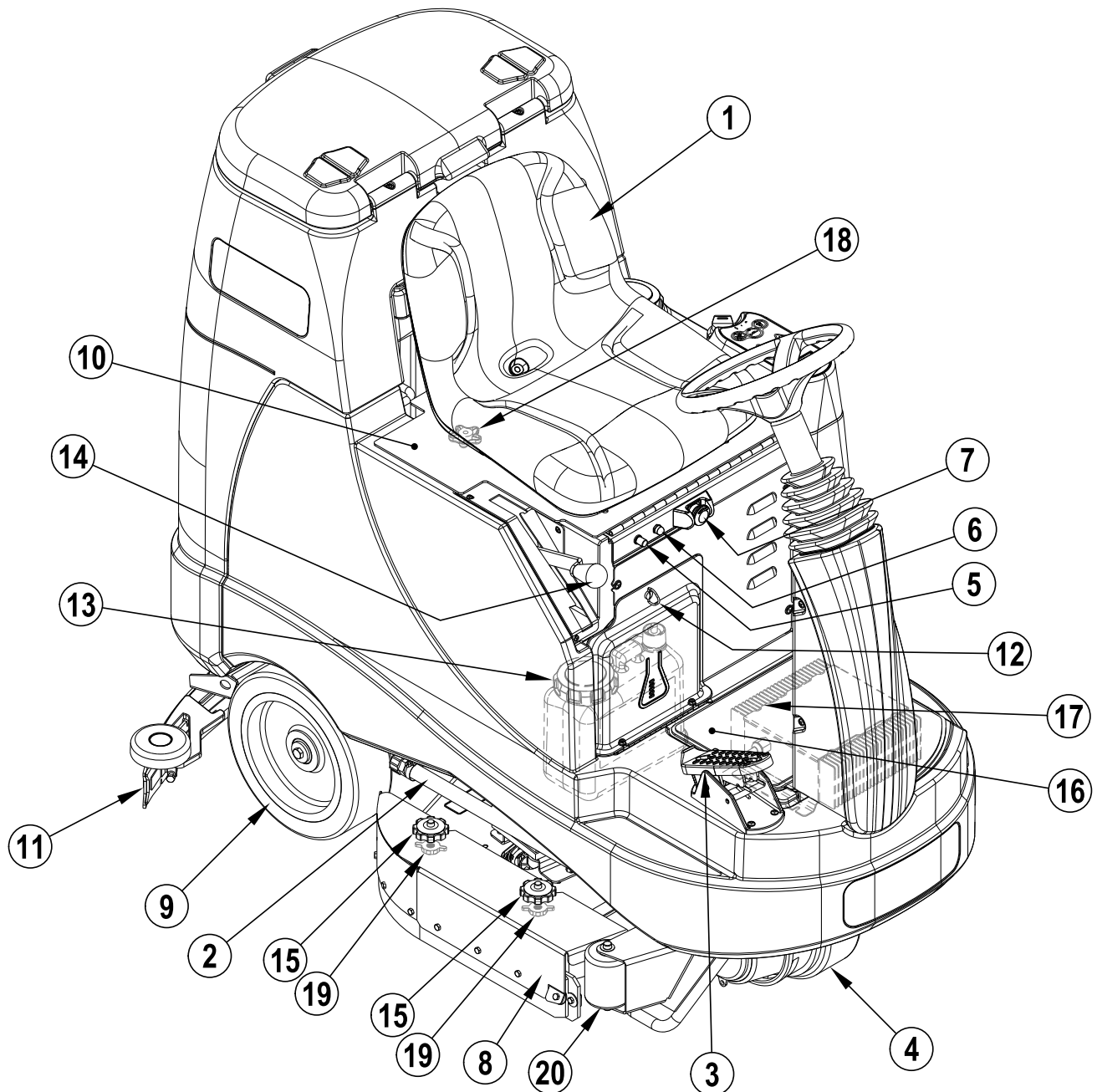
- \* Cette machine n'est pas conçue pour une utilisation sur les chemins ou voies publics.
- \* Cette machine n'est pas conçue pour le ramassage des poussières dangereuses.
- \* N'utilisez pas de disques de scarificateur ni de meules. Advance ne pourra en aucun cas être tenue pour responsable des dommages occasionnés à vos sols par ce type d'équipement (vous risquez également d'endommager le système d'entraînement des brosses).
- \* Lors de l'utilisation de cette machine, assurez-vous que des tiers, et notamment des enfants, ne courent pas le moindre risque.
- \* Avant de procéder à toute opération d'entretien, veuillez lire attentivement toutes les instructions qui s'y rapportent.
- \* Ne laissez pas la machine sans surveillance sans avoir, au préalable, coupé le contact, enlevé la clé de contact (O) et tiré le frein à main.
- \* Positionnez la clé de contact sur off (O) avant de remplacer les brosses ou d'ouvrir tout panneau d'accès.
- \* Prenez toutes les mesures nécessaires pour éviter que les cheveux, les bijoux ou les vêtements amples ne soient entraînés dans les parties mobiles de la machine.
- \* Faites attention lorsque vous déplacez cette machine dans un endroit où la température peut descendre sous 0°. L'eau contenue dans les réservoirs de détergent, de récupération ou de solution ou dans les conduites risquerait de geler et par là même d'endommager les valves et raccords de la machine. Rincez avec un liquide de lave-glace.
- \* Prenez soin d'enlever les batteries de la machine avant de mettre cette dernière au rebut. Pour ce qui est de l'élimination des batteries, conformez-vous aux réglementations locales en matière d'environnement.
- \* N'utilisez pas sur des surfaces dont la pente dépasse celle mentionnée sur la machine.
- \* Toutes les portes et couvercles doivent être dans la position mentionnée dans le manuel d'instruction avant de mettre la machine en service.

## CONSERVEZ SOIGNEUSEMENT CES INSTRUCTIONS

### KNOW YOUR MACHINE

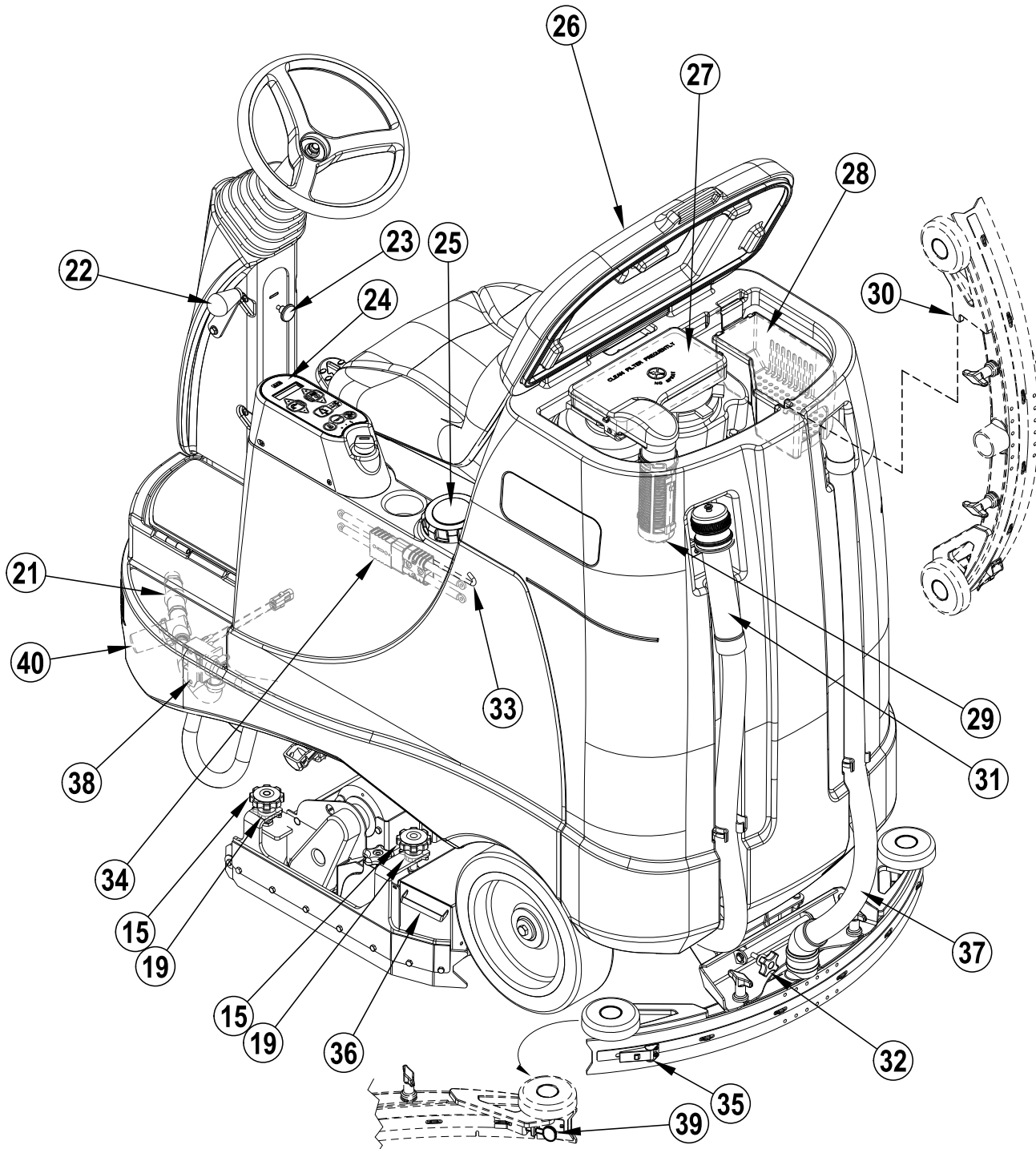
As you read this manual, you will occasionally run across a bold number or letter in parentheses - example: **(2)**. These numbers refer to an item shown on these pages unless otherwise noted. Refer back to these pages whenever necessary to pinpoint the location of an item mentioned in the text. **NOTE:** Refer to the service manual for detailed explanations of each item illustrated on the next 4 pages.

- |    |   |    |   |
|----|---|----|---|
| 1  | <b>Operator's Seat</b>                          | 11 | <b>Squeegee Assembly</b>                                  |
| 2  | <b>Solution Tank Drain Hose</b>                 | 12 | <b>Detergent Cartridge Access Cover (AXP models only)</b> |
| 3  | <b>Drive Pedal, Directional/Speed</b>           | 13 | <b>Detergent Cartridge (AXP models only)</b>              |
| 4  | <b>Drive Wheel</b>                              | 14 | <b>Scrub Deck Raise/Lower Lever (ST models only)</b>      |
| 5  | <b>Drive Wheel Circuit Breaker (70 Amp)</b>     | 15 | <b>Deck Skirt Removal Knobs</b>                           |
| 6  | <b>Control Circuit Circuit Breaker (10 Amp)</b> | 16 | <b>Battery Charger Access Door</b>                        |
| 7  | <b>Emergency Stop</b>                           | 17 | <b>Battery Charger (optional)</b>                         |
| 8  | <b>Scrub Deck</b>                               | 18 | <b>Seat Adjustment Knob (optional on ST models)</b>       |
| 9  | <b>Rear Wheel</b>                               | 19 | <b>Deck Skirt Height Adjustment Knob</b>                  |
| 10 | <b>Battery Compartment (under seat)</b>         | 20 | <b>Front Roller Bumper</b>                                |



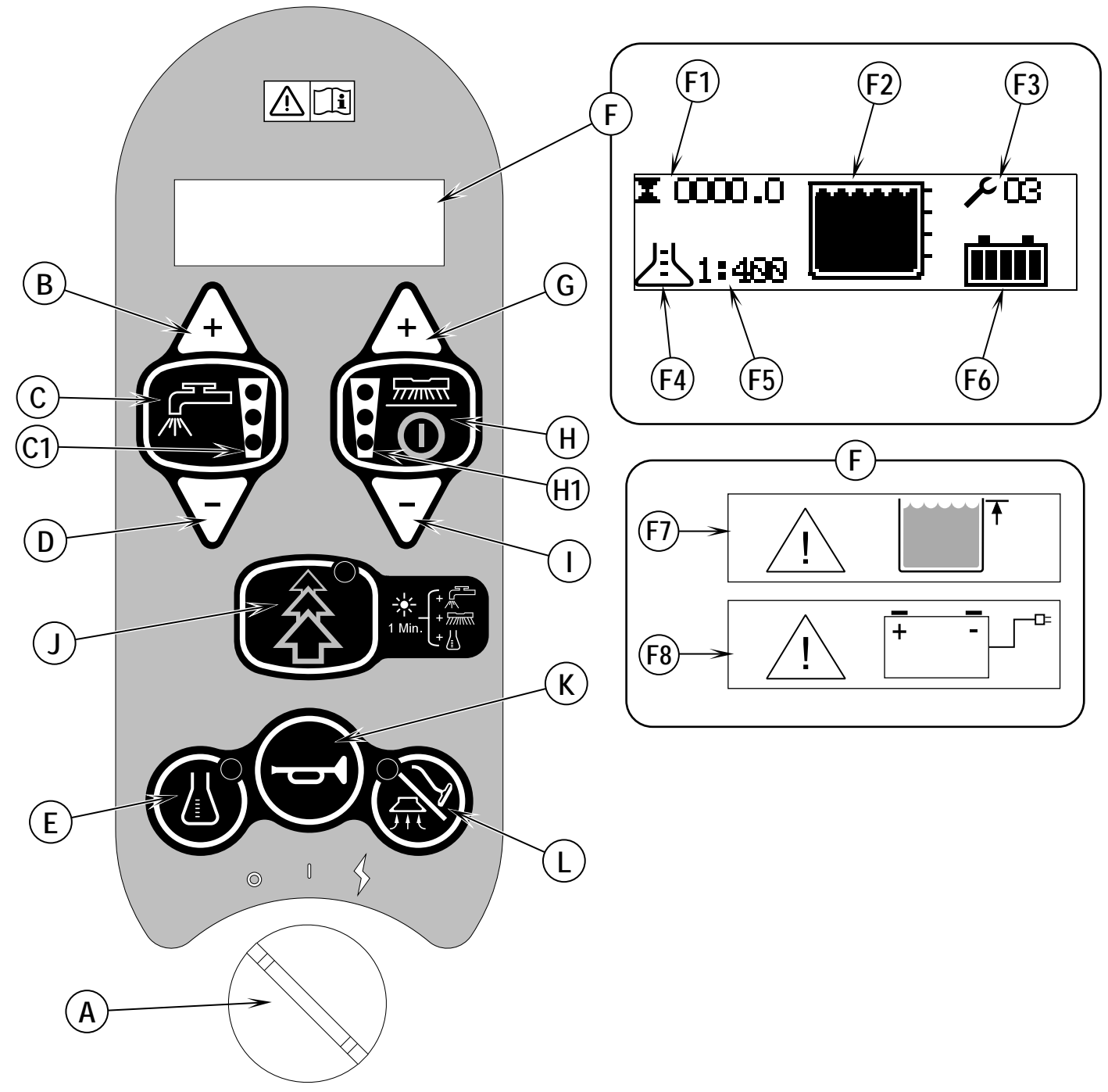
## KNOW YOUR MACHINE

- |    |   |    |  |
|----|---|----|--|
| 21 | Solution Shutoff Valve                      | 31 | Recovery Tank Drain Hose               |
| 22 | Squeegee Raise/Lower Lever (ST models only) | 32 | Squeegee Tilt Adjustment Knob          |
| 23 | Steering Wheel Tilt Adjust Knob             | 33 | Seat Prop-Rod                          |
| 24 | Control Panel                               | 34 | Machine Battery Connector              |
| 25 | Solution Tank Fill Cover                    | 35 | Rear Squeegee Blade Removal Latch      |
| 26 | Recovery Tank Cover                         | 36 | Hopper (Cylindrical models only)       |
| 27 | Vacuum Motor Filter Housing                 | 37 | Recovery Hose                          |
| 28 | Strainer Basket (optional on ST models)     | 38 | Solution Solenoid Valve                |
| 29 | Recovery Tank Shutoff Float                 | 39 | Front Squeegee Blade Removal Thumb Nut |
| 30 | Squeegee Storage Hook                       | 40 | Solution Filter                        |



**CONTROL PANEL (ADVENGER MODELS)**

- A Key Switch
- B Solution Increase Switch
- C Solution ON/OFF Switch
- C1 Solution Flow Indicators (Normal, Heavy & Extreme)
- D Solution Decrease Switch
- E AXP ON/OFF Switch
- F Display
- F1 Hour Meter
- F2 Solution Tank Level Indicator
- F3 Fault Codes
- F4 AXP Indicator (if so equipped)
- F5 Detergent Ratio Indicator
- F6 Battery Indicator
- F7 Recovery Tank FULL Indicator
- F8 Battery Low Indicator
- G Scrub Pressure Increase Switch
- H Scrub ON/OFF Switch
- H1 Scrub Pressure Indicators (Normal, Heavy and Extreme)
- I Scrub Pressure Decrease Switch
- J EverGreen Switch
- K Horn Switch
- L Vacuum/Wand Switch

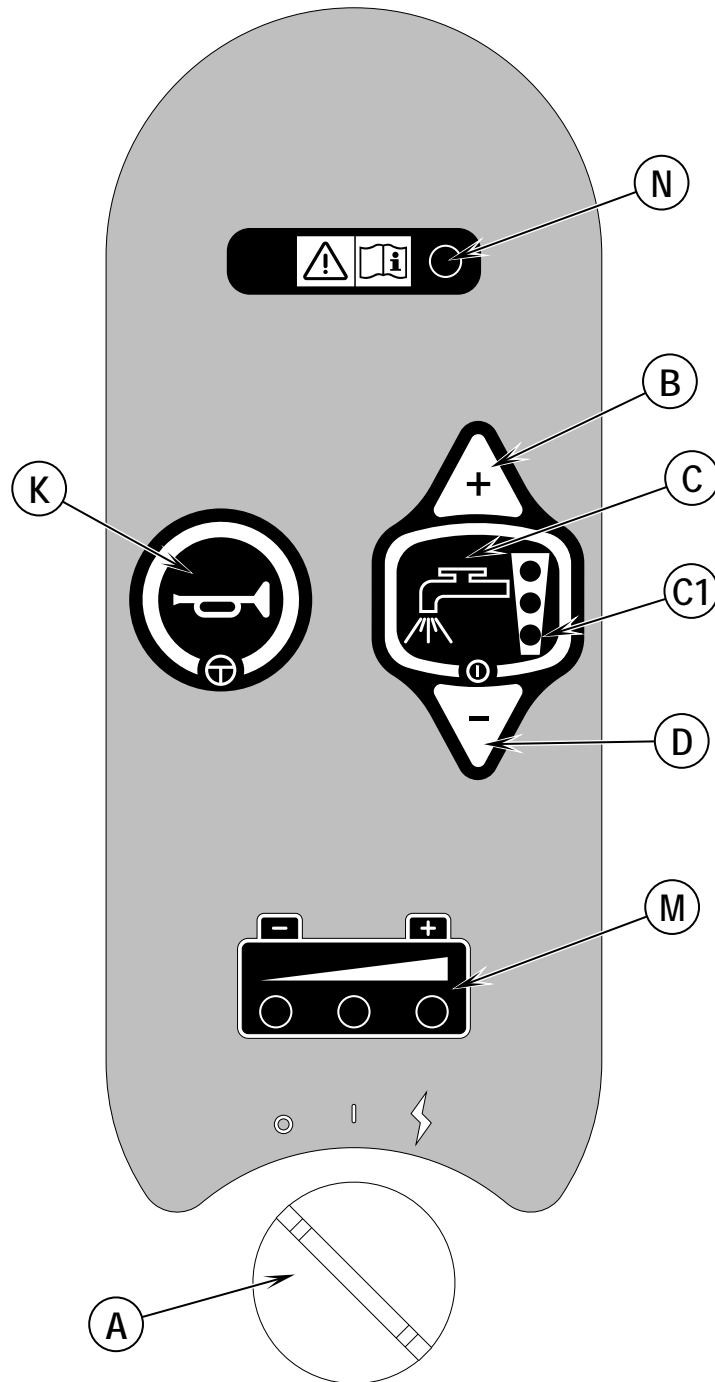




# A-8 / ENGLISH

## CONTROL PANEL (ST MODELS)

- A Key Switch
- B Solution Increase Switch
- C Solution ON/OFF Switch
- C1 Solution Flow Indicators (Normal, Heavy & Extreme)
- D Solution Decrease Switch
- K Horn
- M Battery Indicator
- N Fault Indicator



## BATTERIES

If your machine shipped with batteries installed do the following:

- Check that the batteries are connected to the machine (34).
- Turn ON the Key Switch (A) and check the Battery Indicator (F6 or M). If the gauge is completely filled or the green light is ON, the batteries are ready for use. If the gauge is less than full or the green light is OFF, the batteries should be charged before use. See the "Charging The Batteries" section.
- **IMPORTANT!: IF YOUR MACHINE HAS AN ONBOARD BATTERY CHARGER REFER TO THE OEM PRODUCT MANUAL FOR INSTRUCTIONS REGARDING SETTING THE CHARGER FOR BATTERY TYPE.**

See TSBUS2008-984 for the latest battery charger algorithms.

If your machine shipped without batteries installed do the following:

- Consult your Authorized Advance dealer for recommended batteries.
- Install the batteries by following the instructions below.
- **DO NOT install two 12 volt batteries in your machine. This affects the stability of the machine.**
- **IMPORTANT!: IF YOUR MACHINE HAS AN ONBOARD BATTERY CHARGER REFER TO THE OEM PRODUCT MANUAL FOR INSTRUCTIONS REGARDING SETTING THE CHARGER FOR BATTERY TYPE.**

See TSBUS2008-984 for the latest battery charger algorithms.

## INSTALL THE BATTERIES



### WARNING !

Use extreme caution when working with batteries. Sulfuric acid in batteries can cause severe injury if allowed to contact the skin or eyes. Explosive hydrogen gas is vented from inside the batteries through openings in the battery caps. This gas can be ignited by any electrical arc, spark or flame.

**When Servicing Batteries...**

- \* Remove all jewelry.
- \* Do not smoke.
- \* Wear safety glasses, a rubber apron and rubber gloves.
- \* Work in a well-ventilated area.
- \* Do not allow tools to touch more than one battery terminal at a time.
- \* ALWAYS disconnect the negative (ground) cable first when replacing batteries to prevent sparks.
- \* ALWAYS connect the negative cable last when installing batteries.



### CAUTION !

Electrical components in this machine can be severely damaged if the batteries are not installed and connected properly. Batteries should be installed by Advance or by a qualified electrician.

- 1 Turn the Key Switch (A) off (O) and remove the key. Then swing open the Battery Compartment Cover (10) and set the Prop-Rod (33).
- 2 Using (2) people and an appropriate lifting strap, carefully lift the batteries into the compartment tray exactly as shown. Refer to decal 56601416 battery cable layout.
- 3 **See Figure 1.** Install battery cables as shown and tighten the nuts on the battery terminals.
- 4 Install the battery boots and secure tightly to the battery cables with the supplied tie straps.
- 5 Connect the battery pack connector to the machine connector (34) and close the battery compartment cover.

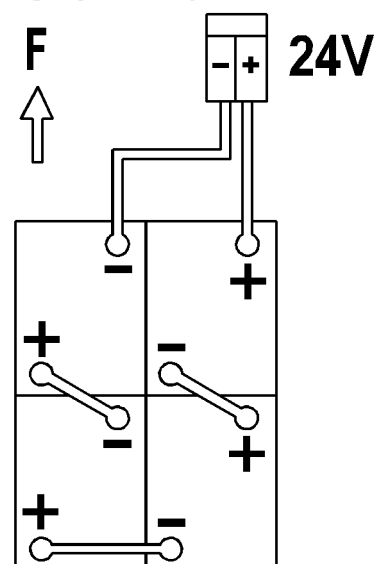


### CAUTION !

Before changing batteries, consult TSBUS2008-984 or call Technical Service at USA: 800-989-2235 / Canada: 800-668-8400 / Mexico: +52 (55)2591 1002 ext.228

FIGURE 1

415A/H - 20HR - RATE



**CAUTION:** Before changing batteries, consult TSBUS2008-984 or call Technical Service at USA: 800-989-2235 / Canada: 800-668-8400 Mexico: +52 (55) 2591 1002 ext.228

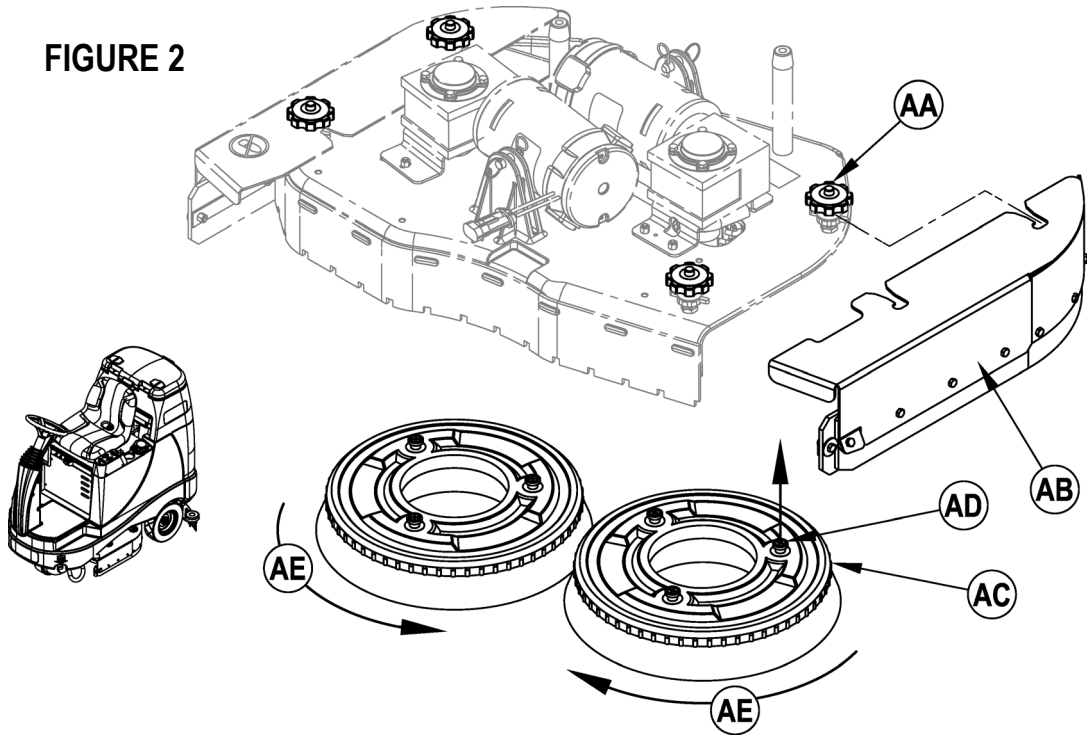
## INSTALL THE BRUSHES (DISC SYSTEM)

### CAUTION !

Turn the key switch off (O) and remove the key, before changing the brushes, and before opening any access panels.

- 1 Make sure the Scrub Deck is in the RAISED position. Make sure the Key Switch (A) is off (O).
- 2 **See Figure 2.** Remove both side skirt assemblies. **NOTE:** The skirts are held in place by two large Knobs (AA). Loosen these knobs and slide the Skirt Assemblies (AB) slightly forward and then off of the Scrub Deck.
- 3 To mount the Brushes (AC) (or pad holders) align the Lugs (AD) on the brush with the holes on the mounting plate and turn to lock in place (turn the outside edge of brush towards the front of machine as shown (AE)).

FIGURE 2



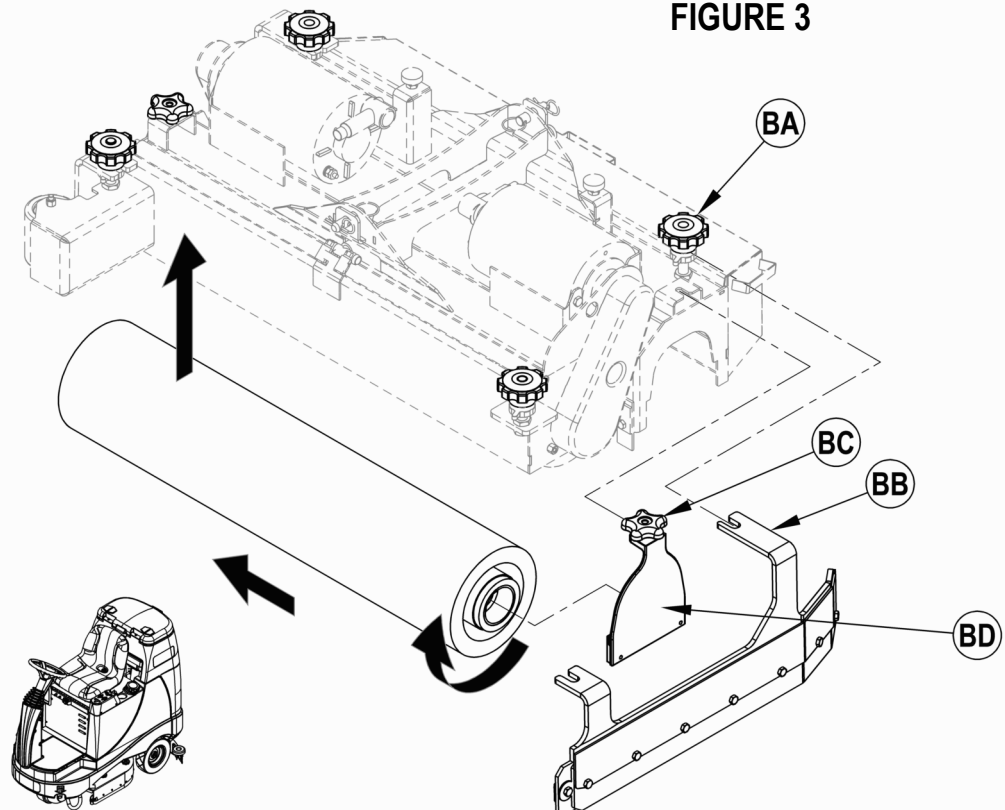
## INSTALL THE BRUSHES (CYLINDRICAL SYSTEM)

### CAUTION !

Turn the key switch off (O) and remove the key, before changing the brushes, and before opening any access panels.

- 1 Make sure the Scrub Deck is in the RAISED position. Make sure the Key Switch (A) is off (O).
- 2 **See Figure 3.** Remove both side skirt assemblies. **NOTE:** The skirts are held in place by two large Knobs (BA). Loosen these knobs and then slide the Skirt Assemblies (BB) off of the Scrub Deck.
- 3 Loosen the Black Knobs (BC) on top of the Idler Assemblies (BD) and remove the assembly
- 4 Slide the brush into the housing, lift slightly, push and turn until it seats. Re-install the Idler Assemblies (BD) and Skirt Assemblies (BB).

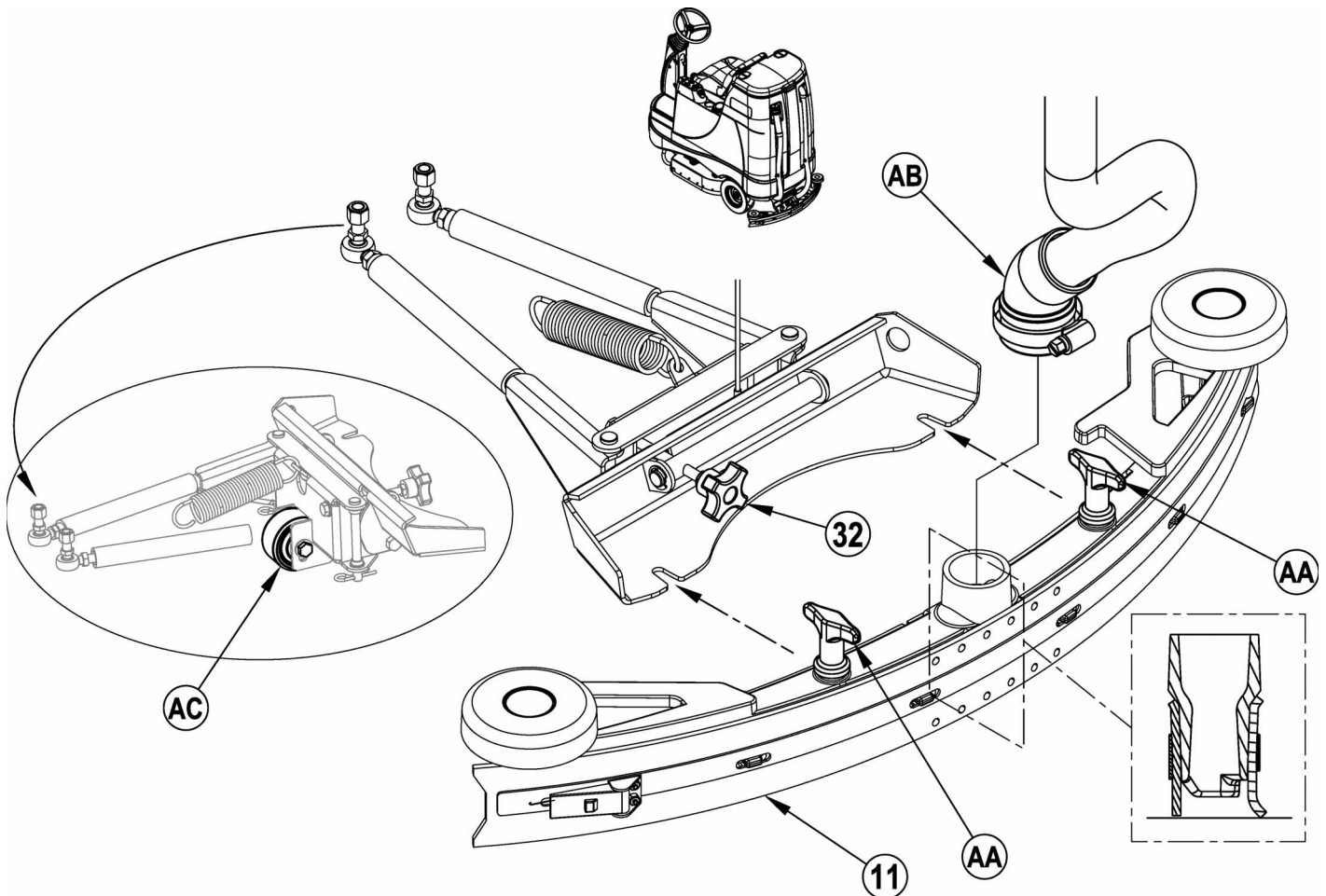
FIGURE 3



## INSTALL THE SQUEEGEE

- 1 See Figure 4. Slide the Squeegee Assembly (11) onto the squeegee mount bracket and tighten the Squeegee Mount Thumb Nuts (AA).
- 2 Connect the Recovery Hose (AB) to the squeegee inlet.
- 3 Lower the squeegee, move the machine ahead slightly and adjust the squeegee tilt and height using the Squeegee Tilt Adjust Knob (32) and Squeegee Height Wheel (AC) so that the rear squeegee blade touches the floor evenly across its entire width and is bent over slightly as shown in the squeegee cross section.

FIGURE 4



## FILL THE SOLUTION TANK

Read the cleaning chemical label and calculate the proper amount of chemical to mix for a tank that holds 28 US gallons (106 liters).

Open the Solution Tank Cover (2), then fill the tank 1/3 full of water, add the cleaning chemical, then fill up the tank the remainder of the way. **NOTE:** AXP machines can either be used conventionally with detergent mixed in the tank or the AXP system can be used. When using the AXP detergent dispensing do not mix detergent in the tank, plain water should be used.



## CAUTION!

Use only low-foaming, non-flammable liquid detergents intended for automatic scrubber machine applications. Water temperature should not exceed 130 degrees Fahrenheit (54.4 degrees Celsius).

## DETERGENT SYSTEM PREPARATION AND USE (AXP MODELS ONLY)

### COMMON INSTRUCTIONS:

Pressing and releasing the Detergent Switch (E) while the solution system is active will cause the detergent system to alternately turn on and off. The system should be purged of previous detergent when switching to a different detergent. **SERVICE NOTE:** Move machine over floor drain before purging because a small amount of detergent will be dispensed in the process.

### To Purge When Changing Chemicals:

- 1 Disconnect and remove the detergent cartridge.
- 2 Turn the Key Switch (A) ON. Press and hold the Solution Switch (C) and the Detergent Switch (E) down for 3 seconds. **NOTE:** Once activated the purge process takes 20 seconds. See illustration on next page for Detergent System indicators. Normally one purge cycle is adequate to purge the system.

### To Purge Weekly:

- 1 Disconnect and remove the detergent cartridge. Install and connect a Cartridge filled with clean water.
- 2 Turn the Key Switch (A) ON. Press and hold Solution Switch (C) and the Detergent Switch (E) down for 3 seconds. **NOTE:** Once activated the purge process takes 20 seconds. See illustration on next page for Detergent System indicators. Normally one purge cycle is adequate to purge the system.

When the Detergent Cartridge is almost empty a Display Panel (F4) indicator will come on. The "Low Detergent" indicator will remain on until you reset the system. Once this indicator comes on you should be able to simply pour an entire gallon bottle of detergent into the Cartridge to refill without worrying about measuring. **NOTE:** Only reset the system when the cartridge is full. When switching cartridges, the "Low Detergent" indicator is only accurate if the replacement cartridge is at the same level as the cartridge being replaced.

### To Reset:

- 1 Turn the Key Switch (A) ON. Press and hold the Solution Increase Switch (B) and the Solution Decrease Switch (D) down for 3 seconds. See illustration on next page for Detergent System indicators.

### Detergent Ratio:

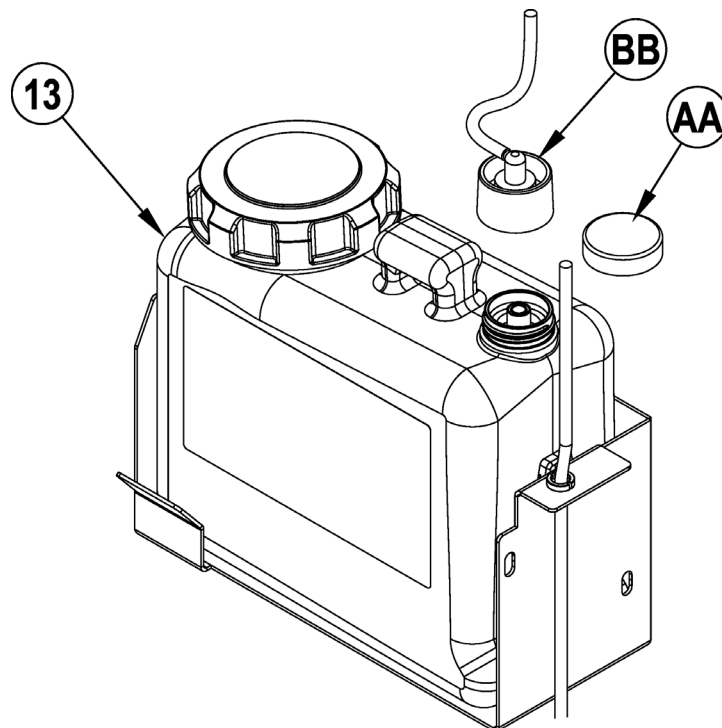
- 1 The detergent ratio is locked at 1:400, except while overriding the EverGreen cleaning mode. The pre-programmed ratio that is used during EverGreen override can be adjusted. With the detergent system OFF, press and hold the Detergent ON/OFF Switch (E) for 2 seconds. The detergent indicator will flash and each press of the switch will cycle through the available ratios (1:32, 1:50, 1:64, 1:100, 1:128, 1:150, 1:200, 1:256, 1:300, 1:400). Once the desired ratio is displayed on the screen (F5), stop and it will lock in after 5 seconds.

### CARTRIDGE INSTRUCTIONS:

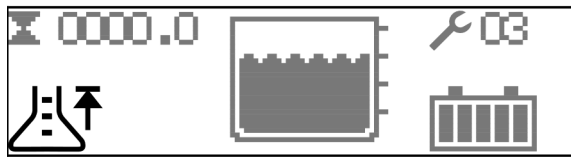
The Detergent Cartridge (13) is located behind the Detergent Cartridge Access Door (12) in the operator's compartment. Fill the detergent cartridge with a maximum of 1.25 gallons (4.73 Liters) of detergent. **SERVICE NOTE:** Remove the detergent cartridge from the detergent box prior to filling to avoid spilling detergent on the machine.

It is recommended that a separate cartridge be used for each detergent you plan to use. The detergent cartridges have a white decal on them so you can write the detergent name on each cartridge to avoid mixing them up. When installing a new cartridge, remove the Cap (AA) and place the cartridge in the detergent box. Install the Dry Break Cap (BB) and detergent hose as shown.

FIGURE 5

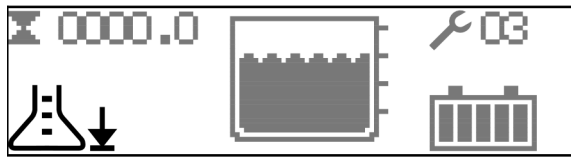


DETERGENT SYSTEM PREPARATION AND USE (AXP MODELS ONLY)

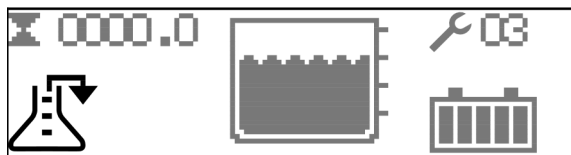


FULL (RESET)

Press and hold (B) & (D) for 3 seconds to Reset.

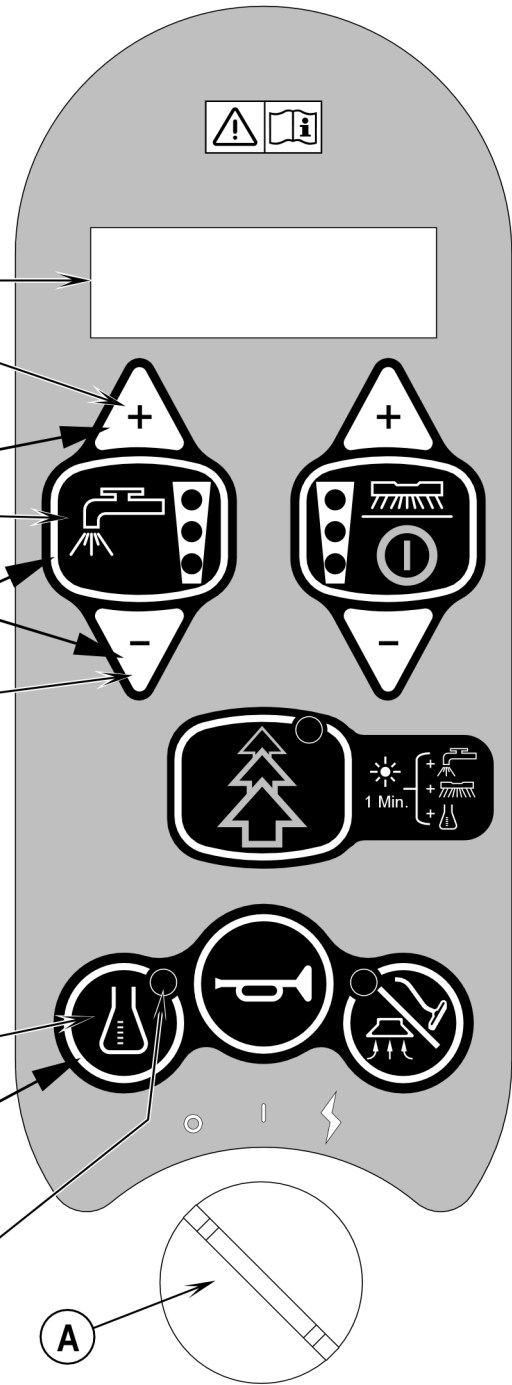


LOW DETERGENT



PURGE

Press and hold (C) & (E) for 3 seconds to Purge.



Detergent system is ON when indicator is ON.

## OPERATING THE MACHINE



### WARNING!

Be sure you understand the operator controls and their functions.

While on ramps or inclines, avoid sudden stops when loaded. Avoid abrupt sharp turns. Use low speed down hills. Clean only while ascending (driving up) the ramp.

#### To Scrub...

Follow the instructions in "preparing the machine for use" section of this manual.

- 1 **See Figure 6.** While seated on the machine, adjust the steering wheel to a comfortable position using the Steering Wheel Tilt Adjust Knob (23). The seat can be adjusted if necessary by tipping up the seat and using the adjustment knob (18) (Advenger models) or by loosening the mounting hardware (ST models).
- 2 Turn the Master Key Switch (A) ON (I). This will display the control panel indicator lights. Reference the Battery Condition Indicator (F6) and Hour Meter (F1) (Advenger models) or Battery Indicator (M) (ST models) before proceeding.
- 3 To transport the machine to the work area, apply even pressure with your foot on the front of the Drive Pedal (3) to go forward or the rear of the pedal for reverse. Vary the pressure on the foot pedal to obtain the desired speed.
- 4 Press and hold the Solution Switch (C) to pre-wet the floor, solution will be dispensed while the switch is held. **NOTE:** This will help prevent scarring of the floor surface when starting to scrub with dry brushes. This must be done prior to pressing the Scrub ON Switch (H) (Advenger models) or lowering the scrub deck using Scrub Deck Raise/Lower Lever (14) (ST models).
- 5a **Advenger models:** Press the Scrub ON/OFF Switch (H), the scrub deck and squeegee will automatically be lowered to the floor. The scrub, vacuum, solution and detergent (AXP models) systems all start when the Drive Pedal (3) is activated.  
The scrub pressure will default to Normal (one scrub pressure indicator lit). Use the Scrub Pressure Increase Switch (G) and Scrub Pressure Decrease Switch (I) to change between Normal, Heavy and Extreme Scrub modes. The solution flow rate will automatically adjust to coincide with the scrub pressure.  
**NOTE:** The solution flow rate can be changed independently of the scrub pressure by pressing the Solution Increase Switch (B) or Solution Decrease Switch (D). Any subsequent scrub pressure adjustments will reset the solution flow rate to correspond with the scrub pressure.  
**NOTE:** The scrub, solution, vacuum and detergent (AXP models) systems are automatically enabled when the Scrub ON/OFF Switch (H) is pressed. Any individual system can be turned OFF or back ON by simply pressing its switch at any time during scrubbing.  
**NOTE:** When operating the machine in reverse the squeegee automatically raises.
- 5b **ST models:** Lower the scrub deck using the Scrub Deck Raise/Lower Lever (14), this will activate the solution and scrub systems. Lower the squeegee using the Squeegee Raise/Lower Lever (22), this will activate the vacuum system. All systems will start when the Drive Pedal (3) is activated.  
**NOTE:** There are two scrub pressure settings. Normal Pressure is achieved by lowering the scrub deck, the pressure on the brushes is caused by the weight of the deck. Extreme Pressure is achieved by lowering the deck and then pressing down on the Lever (14) and moving it to the notch, this compresses a spring to create additional pressure on the brushes.  
**NOTE:** The solution flow rate can be changed by pressing the Solution Increase Switch (B) or Solution Decrease Switch (D).
- 6 Begin scrubbing by driving the machine forward in a straight line at a normal walking speed and overlap each path by 2-3 inches (50-75 mm). Adjust the machine speed and solution flow when necessary according to the condition of the floor.



### CAUTION!

To avoid damaging the floor, keep the machine moving while the brushes are turning.

- 7 When scrubbing, check behind the machine occasionally to see that all of the waste water is being picked up. If there is water trailing the machine, you may be dispensing too much solution, the recovery tank may be full, or the squeegee tool may require adjustment.
- 8 **Advenger models only:** The machine defaults to the EverGreen cleaning mode (EverGreen Switch Indicator is lit GREEN) conserving solution and detergent. Press the EverGreen Switch (J) to override the EverGreen cleaning mode and temporarily increase scrub pressure, solution flow and the detergent ratio. This will cause the indicator to flash yellow for one minute, solution flow rate will increase to the next level, scrub pressure will increase to the next level and the detergent ratio will increase to the pre-programmed ratio. The pre-programmed ratio that is used during EverGreen override can be adjusted. With the detergent system OFF, press and hold the Detergent ON/OFF Switch (E) for 2 seconds. The detergent indicator will flash and each press of the switch will cycle through the available ratios (1:32, 1:50, 1:64, 1:100, 1:128, 1:150, 1:200, 1:256, 1:300, 1:400). Once the desired ratio is displayed on the screen (F5), stop and it will lock in after 5 seconds.
- 9 For extremely dirty floors, a one-pass scrubbing operation may not be satisfactory and a "double-scrub" operation may be required. This operation is the same as a one-pass scrubbing except on the first pass the squeegee is in the up position (press the Vacuum/Wand Switch (L) to raise the squeegee for Advenger models or lift the Squeegee Raise/Lower Lever (22) for ST models). This allows the cleaning solution to remain on the floor to work longer. The final pass is made over the same area, with the squeegee lowered to pick up the accumulated solution.
- 10a **Advenger models:** The recovery tank has a shut-off float (29) that causes ALL systems to turn OFF except the drive system when the recovery tank is full. When this float is activated, the recovery tank must be emptied. The machine will not pick up water or scrub with the float activated.  
**NOTE:** All other indicators vanish and a "Recovery Tank FULL" Indicator (F7) appears on the Display Panel when the float is activated.
- 10b **ST models:** The recovery tank has a shut-off float (29) that causes ALL systems to turn OFF except the drive system when the recovery tank is full. When this float is activated, the recovery tank must be emptied. The machine will not pick up water or scrub with the float activated.
- 11 When the operator wants to stop scrubbing or the recovery tank is full;  
**Advenger models:** Press the Scrub ON/OFF Switch (H) once. This will automatically stop the scrub brushes and solution flow and the scrub deck will raise up. The squeegee will raise up after a brief delay and the vacuum will stop after a brief delay (this is to allow any remaining water to be picked up without turning the vacuum back on).  
**ST models:** Use the Scrub Deck Raise/Lower Lever (14) to manually raise the scrub deck, this will stop the scrub motors and the solution flow. Use the Squeegee Raise/Lower Lever (22) to manually raise the squeegee. The vacuum will stop after a brief delay (this is to allow any remaining water in the squeegee hose to be picked up without turning the vacuum back on).
- 12 Drive the machine to a designated waste water "DISPOSAL SITE" and empty the recovery tank. To empty, pull the Drain Hose (31) from its rear storage area, then unscrew the cap (hold the end of the hose above the water level in the tank to avoid sudden, uncontrolled flow of waste water). Refill the solution tank and continue scrubbing.  
**NOTE:** Make sure the Recovery Tank Cover (26) and the Recovery Tank Drain Hose (31) cap are properly seated or the machine will not pick-up water correctly.

When the batteries require recharging the Battery LOW Indicator (F8) will come on (Advenger models) or the Battery Indicator (M) will flash red (ST models). Then the scrub brushes and solution flow will stop and the scrub deck will raise up (Advenger models), manually raise the scrub deck on ST models. The squeegee will raise up after a brief delay and the vacuum will stop after a brief delay (Advenger models), manually raise the squeegee on ST models. Transport the machine to a service area and recharge the batteries according to the instructions in the Battery section of this manual.

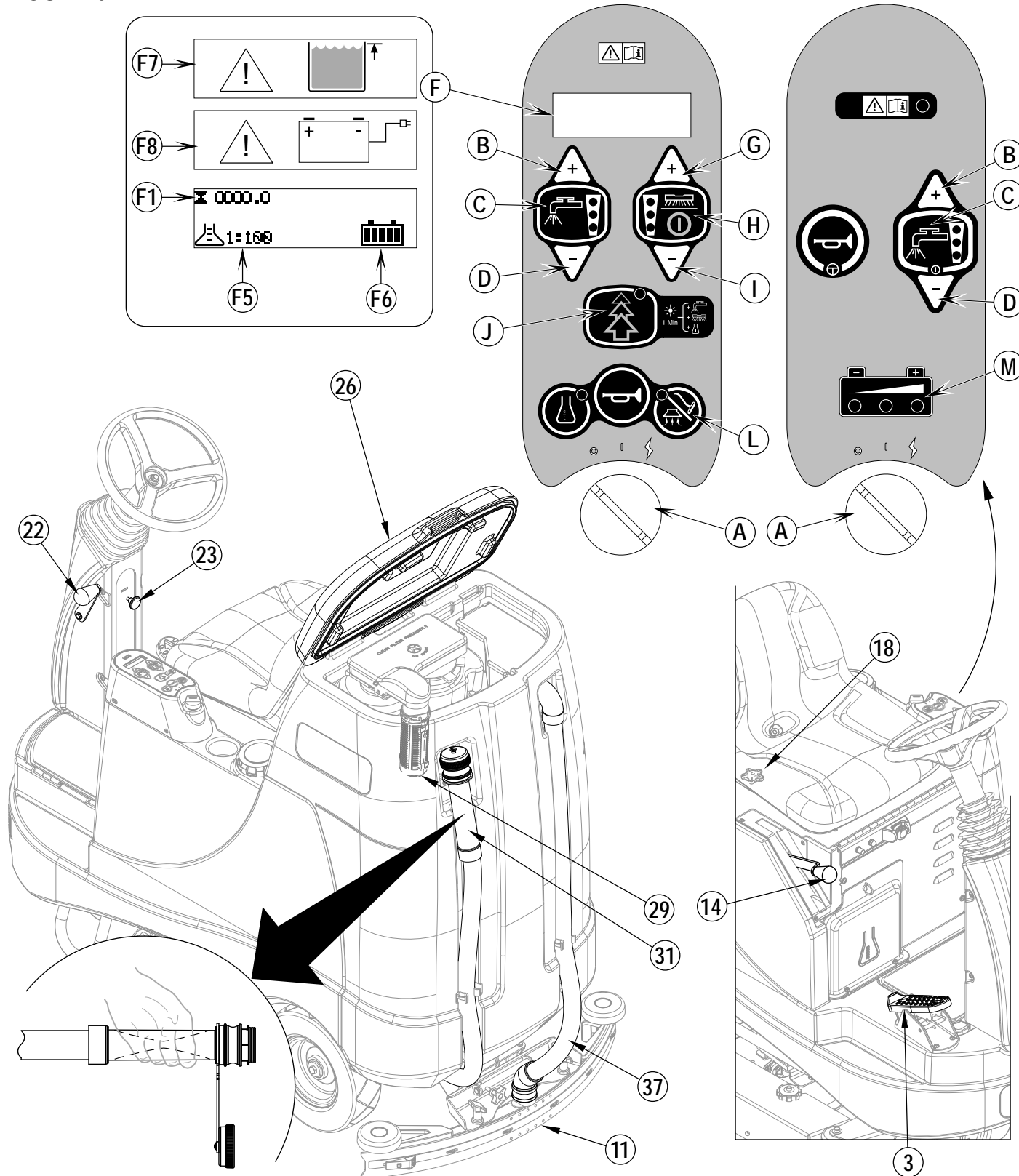
### WET VACUUMING

Steps to follow in fitting the machine with optional attachments for wet vacuuming.

- 1 Disconnect the Recovery Hose (37) from the Squeegee (11). Connect the coupler and hose from the wand kit to the recovery hose.
- 2 Attach suitable wet pick-up tools to the hose. (An optional Wand Kit PN56601087 is available from Advance).
- 3 Turn the Master Key Switch (A) ON and press the Wand Switch (L) (Advenger models) or lower the Squeegee Lever (22) (ST models). **NOTE:** The operator cannot be in the seat for the vacuum motor to run on Advenger models. The vacuum motor will run continuously until the switch is pressed again (Advenger models) or the squeegee is raised (ST models) to turn it OFF. **NOTE:** The "Recovery Tank FULL" indicator is disabled when the wand mode is activated. The float will stop the flow into the recovery tank.

**SERVICE NOTE:** Refer to the service manual for detailed functional descriptions of all controls and optional programmability.

**FIGURE 6**





# A-16 / ENGLISH

## AFTER USE

- 1 When finished scrubbing, press the Scrub ON/OFF Switch **(H)**, this will automatically raise, retract and stop all the machine systems (brush, squeegee, vacuum, solution and detergent (AXP models)) (Advenger models) or manually raise the scrub deck and squeegee. Then drive the machine to a service area for daily maintenance and review of other needed service up keep.
- 2 To empty the solution tank;  
**Advenger models:** Remove the Solution Drain Hose **(2)** from its storage clamp. Direct the hose to a designated "DISPOSAL SITE" and remove the plug. Rinse the tank with clean water.  
**ST models:** Drive the machine over a designated "DISPOSAL SITE". Close the Solution Shutoff Valve **(21)**. Remove the Solution Filter **(40)** and then slowly open the shutoff valve. Rinse the tank with clean water.
- 3 To empty the recovery tank, pull the Recovery Tank Drain Hose **(31)** from its storage area. Direct the hose to a designated "DISPOSAL SITE" and unscrew the plug (hold the end of the hose above the water level in the tank to avoid sudden, uncontrolled flow of waste water). Rinse the tank with clean water.
- 4 Remove the brushes or pad holders. Rinse the brushes or pads in warm water and hang up to dry.
- 5 Remove the squeegee and rinse it with warm water. Open the Recovery tank cover and hang the squeegee from the recovery tank using the Squeegee Storage Hook **(30)**.
- 6 Remove the hopper on cylindrical systems and clean thoroughly. Remove from either side of the machine by removing the skirt and tilting the hopper up and away from housing, then pull out.
- 7 Check the maintenance schedule below and perform any required maintenance before storage.

## MAINTENANCE SCHEDULE

MAINTENANCE ITEM	Daily	Weekly	Monthly	Yearly
Charge Batteries	X			
Check/Clean Tanks & Hoses	X			
Check/Clean/Rotate the Brushes/Pads	X			
Check/Clean the Squeegee	X			
Check/Clean Vacuum Shut-Off Float	X			
Check/Clean the vacuum motor foam filter(s)	X			
Empty/Clean Strainer Basket in Recovery Tank	X			
Clean Hopper on Cylindrical System	X			
Check Each Battery Cell(s) Water Level		X		
Inspect Scrub Housing Skirts		X		
Inspect and clean Solution Filter		X		
Clean Solution Trough on Cylindrical System		X		
Purge Detergent System (AXP only)		X		
Lubrication of Machine			X	
* Check Carbon Brushes				X

\* Have Advance check the vacuum motor carbon motor brushes once a year or after 300 operating hours. The brush and drive motor carbon brushes check every 500 hours or once a year.

**NOTE:** Refer to the Service Manual for more detail on maintenance and service repairs.

- 8 Store the machine indoors in a clean dry place. Keep from freezing. Leave the tanks open to air them out.
- 9 Turn the Master Key Switch **(A)** OFF (O) and remove the key.

## LUBRICATING THE MACHINE

Once a month, apply light machine oil to lubricate the:

- Steering Chain
- General Pivot Points For the Squeegee and Scrub Deck Linkage
- Side Skirt Height Adjustment Knobs
- Steering Wheel Shaft Universal joint
- Front Roller Bumper

## CHARGING WET BATTERIES

Charge the batteries each time the machine is used or when the Battery Indicator (F6) is reading less than full or when the Battery Condition Indicator (M) is flashing RED.



### WARNING!

Do not fill the batteries before charging.

Charge batteries in a well-ventilated area.

Do not smoke while servicing the batteries.

#### When Servicing Batteries...

- \* Remove all jewelry
- \* Do not smoke
- \* Wear safety glasses, rubber gloves and a rubber apron
- \* Work in a well-ventilated area
- \* Do not allow tools to touch more than one battery terminal at a time
- \* ALWAYS disconnect the negative (ground) cable first when replacing batteries to prevent sparks.
- \* ALWAYS connect the negative cable last when installing batteries.

#### If your machine shipped with an onboard battery charger do the following:

Turn the Key Switch (A) OFF. Open the Battery Compartment (10) and the Battery Charger Access Door (16) for proper ventilation. Unwind the electrical cord from the side of the onboard charger and plug it into a properly grounded outlet. Refer to the OEM product manual for more detailed operating instructions.

#### If your machine shipped without an onboard battery charger do the following:

Open the Battery Compartment (10) and set the Prop-Rod (33). Disconnect the batteries from the machine and push the connector from the charger into the Battery Pack Connector (34). Follow the instructions on the battery charger. **SERVICE NOTE:** Make sure you plug the battery charger into the connector that attaches to the batteries.



### CAUTION!

To avoid damage to floor surfaces, wipe water and acid from the top of the batteries after charging.

## CHECKING THE BATTERY WATER LEVEL

Check the water level of the batteries at least once a week.

After charging the batteries, remove the vent caps and check the water level in each battery cell. Use distilled or demineralized water in a battery filling dispenser (available at most auto parts stores) to fill each cell to the level indicator (or to 10 mm over the top of the separators). DO NOT over-fill the batteries!



### CAUTION!

Acid can spill onto the floor if the batteries are overfilled.

Tighten the vent caps. Wash the tops of the batteries with a solution of baking soda and water (2 tablespoons of baking soda to 1 liter of water).

## CHARGING GEL (VRLA) BATTERIES

Charge the batteries each time the machine is used or when the Battery Indicator (F6) is reading less than full (on Advenger models) or when the Battery Condition Indicator (M) is flashing RED.



### WARNING!

Charge batteries in a well-ventilated area.

Do not smoke while servicing the batteries.

#### When Servicing Batteries...

- \* Remove all jewelry
- \* Do not smoke
- \* Wear safety glasses, rubber gloves and a rubber apron
- \* Work in a well-ventilated area
- \* Do not allow tools to touch more than one battery terminal at a time
- \* ALWAYS disconnect the negative (ground) cable first when replacing batteries to prevent sparks.
- \* ALWAYS connect the negative cable last when installing batteries.



### CAUTION!

Your voltage regulated lead acid (VRLA) battery will deliver superior performance and life ONLY IF IT IS RECHARGED PROPERLY!

Under or overcharging will shorten battery life and limit performance. Be sure to FOLLOW PROPER CHARGING INSTRUCTIONS!

DO NOT ATTEMPT TO OPEN THIS BATTERY! If a VRLA battery is opened, it loses its pressure and the plates become oxygen contaminated. THE WARRANTY WILL BE VOIDED IF THE BATTERY IS OPENED.

#### If your machine shipped with an onboard battery charger do the following:

Turn the Key Switch (A) OFF. Open the Battery Compartment (10) and the Battery Charger Access Door (16) for proper ventilation. Unwind the electrical cord from the side of the onboard charger and plug it into a properly grounded outlet. Refer to the OEM product manual for more detailed operating instructions.

#### If your machine shipped without an onboard battery charger do the following:

Open the Battery Compartment (10) and set the Prop-Rod (33). Disconnect the batteries from the machine and push the connector from the charger into the Battery Pack Connector (34). Follow the instructions on the battery charger. **SERVICE NOTE:** Make sure you plug the battery charger into the connector that attaches to the batteries.

**IMPORTANT: Make sure you have an appropriate charger for use on Gel cell batteries. Use only "voltage-regulated" or "voltage-limited" chargers.**

**Standard constant current or taper current chargers MUST NOT be used. A temperature-sensing charger is recommended, as manual adjustments are never accurate and will damage any VRLA battery.**

## SQUEEGEE MAINTENANCE

If the squeegee leaves narrow streaks or water, the blades may be dirty or damaged. Remove the squeegee, rinse it under warm water and inspect the blades. Reverse or replace the blades if they are cut, torn, wavy or worn.

### To Reverse or Replace the Rear Squeegee Wiping Blade...

- 1 See Figure 7. Raise the squeegee tool off the floor, then unsnap the Rear Squeegee Blade Removal Latch (35) on the squeegee tool.
- 2 Remove the Tension Strap (AA).
- 3 Slip the rear blade off the alignment pins.
- 4 The squeegee blade has 4 working edges. Turn the blade so a clean, undamaged edge points toward the front of the machine. Replace the blade if all 4 edges are nicked, torn or worn to a large radius.
- 5 Install the blade, following the steps in reverse order and adjust the squeegee tilt.

### To Reverse or Replace the Front Squeegee Blade...

- 1 Raise the squeegee tool off the floor, then loosen the (2) Thumb Nuts (AB) on top of the squeegee and remove the squeegee tool from the mount.
- 2 Loosen the Front Squeegee Blade Removal Thumb Nut (39), then remove Tension Strap (AC) and blade.
- 3 The squeegee blade has 4 working edges. Turn the blade so a clean, undamaged edge points toward the front of the machine. Replace the blade if all 4 edges are nicked, torn or worn to a large radius.
- 4 Install the blade, following the steps in reverse order and adjust the squeegee tilt.

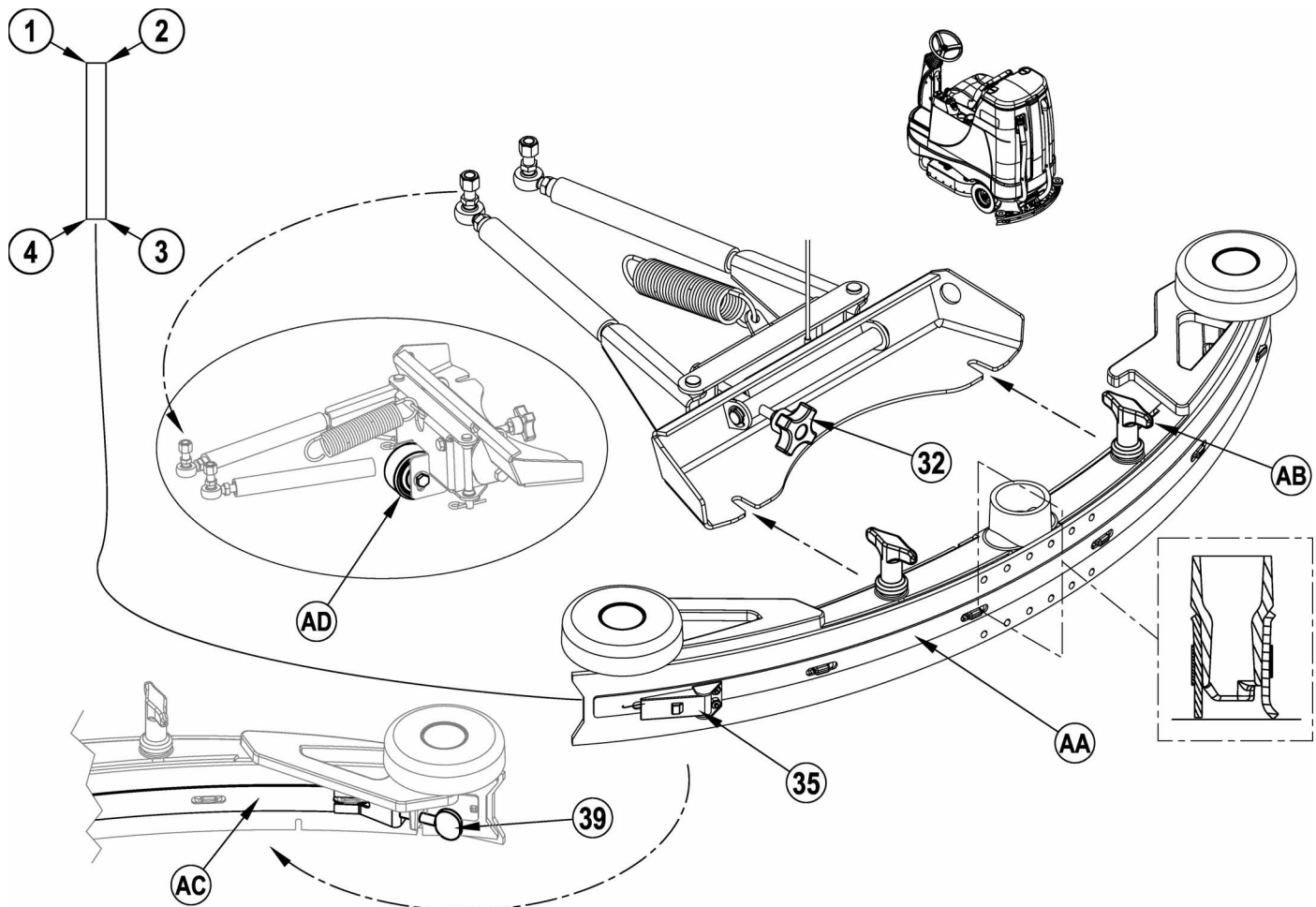
## SQUEEGEE ADJUSTMENT

There are two squeegee tool adjustments possible, angle and height.

Adjust the squeegee angle whenever a blade is reversed or replaced, or if the squeegee is not wiping the floor dry.

- 1 Park the machine on a flat, even surface and lower the squeegee. Then drive the machine forward enough to have the squeegee blades fold over to the rear.
- 2 Adjust the squeegee tilt and height using the Squeegee Tilt Adjust Knob (32) and Squeegee Height Wheel (AD) so that the rear squeegee blade touches the floor evenly across its entire width and is bent over slightly as shown in the squeegee cross section.

FIGURE 7



## SIDE SKIRT MAINTENANCE

The side skirts' function is to channel the waste water to the squeegee, helping contain the water within the machine's cleaning path. During normal use the blades will wear in time. The operator will notice a small amount of water leaking out underneath the side skirts. A height adjustment can easily be made to lower the blades so that all the water can be picked up by the squeegee.

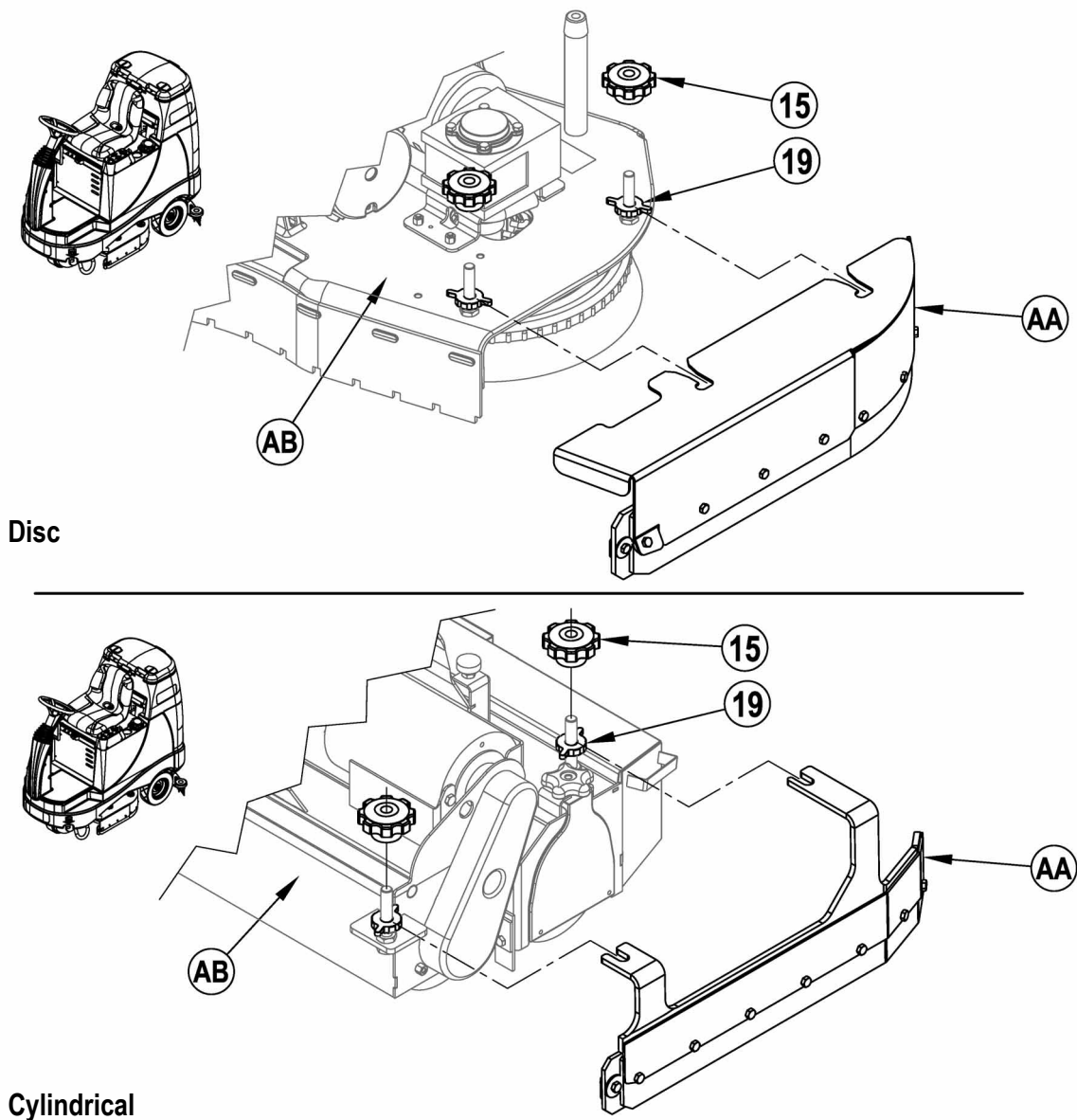
### To reverse or replace the scrub system side skirt(s)...

- 1 See Figure 8. Loosen the (2) side skirt Retainer Knobs (15) (2 per side) and pull the Skirt Assemblies (AA) slightly forward (disc only) and then off from the scrub deck.
- 2 Remove all the hardware that holds the blades to the skirt housings.
- 3 Replace the blades as a set if they are nicked, torn or worn beyond their ability to be adjusted.
- 4 Reinstall the skirt housing assemblies onto the machine and adjust the blade for proper contact to the floor when the brush deck is in the scrub position.

## SIDE SKIRT HEIGHT ADJUSTMENT

- 1 See Figure 8. The side skirt housing knob retainer screw studs have leveling Adjuster Collars (19), that are to be raised or lowered to compensate for blade wear.
- 2 To adjust, remove the Skirt Assemblies (AA) from the Scrub Deck (AB) to access the Adjuster Collars (19). Adjustment Tip: The skirts Retainer Knobs (15) can be loosened with skirts left on and the Adjuster Collars (19) rotated by reaching under the skirt housing.
- 3 Turn the Adjuster Collars (19) (Up or Down) to where the blades just fold over enough when scrubbing that all the waste water is contained inside the skirting. Note: Make small adjustments to obtain good blade wiping. Do not lower the blades too much to where they fold over excessively and cause unneeded blade wear.

FIGURE 8



## GENERAL MACHINE TROUBLESHOOTING

Problem	Possible Cause	Remedy
Poor water pick-up	Worn or torn squeegee blades	Reverse or replace
	Squeegee out of adjustment	Adjust so blades touch floor evenly across entire width
	Recovery tank full	Empty recovery tank
	Recovery tank drain hose leak	Secure drain hose cap or replace
	Recovery tank cover gasket leak	Replace gasket / Seat cover properly
	Debris caught in squeegee	Clean squeegee tool
	Vacuum hose clogged	Remove debris
	Using too much solution	Adjust solution flow at control panel
	Foam filter cover not seated	Seat cover properly
Poor scrubbing performance	Worn brush or pad	Rotate or replace brushes
	Wrong brush or pad type	Consult Advance
	Wrong cleaning chemical	Consult Advance
	Moving machine too fast	Slow down
	Not using enough solution	Increase solution flow at control panel
Inadequate solution flow or no solution	Solution tank empty	Fill solution tank
	Solution lines, valves, filter or trough clogged	Flush lines, trough and clean solution filter
	Solution shutoff valve closed	Open solution shutoff valve
	Solution solenoid valve	Clean or replace valve
Machine does not run	Battery connector disconnected	Reconnect battery connectors
	Operator seat safety switch	Check for open circuit and replace
	Main system controller	Check error fault codes <b>(see service manual)</b>
	Tripped 10 Amp circuit breaker	Check for electrical short circuit & reset
No FWD/REV wheel drive	Drive system speed controller	Check error fault codes <b>(see service manual)</b>
	Tripped 70 Amp circuit breaker	Check for drive motor overload
	Emergency stop switch tripped	Reset the Emergency Stop Switch
Vacuum shuts off and display shows "Recovery Tank FULL indicator" when recovery tank is not full	Plugged squeegee hose	Clear debris
	Vacuuming large amounts of water at a high travel speed	Slow down or disable auto shut-off feature <b>(see service manual)</b>
Poor Sweeping Performance (Cylindrical System)	Hopper Full	Empty and clean hopper
	Brushes worn	Replace brushes
	Bristles have taken a set	Rotate brushes
No Detergent Flow (AXP models only)	Empty detergent cartridge	Fill detergent cartridge
	Plugged or kinked detergent flow line	Purge system, straighten lines to remove any kinks
	Dry seal cap on detergent cartridge not sealed	Reseat dry seal cap
	Detergent pump wiring disconnected or backwards	Connect or reconnect wiring

**TECHNICAL SPECIFICATIONS (as installed and tested on the unit)**

<b>Model</b>		<b>Advenger 2805D</b>	<b>Advenger X2805D</b>	
		<b>Advenger 2805C</b>	<b>Advenger X2805C</b>	
Model No.		56601000	56601005	
		56601002	56601007	
Voltage, Batteries	V	24V	24V	
Battery Capacity	Ah	238	238	
Protection Grade		IPX3	IPX3	
Sound Power Level (IEC 60335-2-72: 2002 Amend. 1:2005, ISO 3744)	dB(A)/20µPa	63.7/621.7	63.7/621.7	
Gross Weight	lbs / kg	1,451/658	1,451/658	
Maximum Wheel Floor Loading (center front)	psi / kg/cm <sup>2</sup>	174.7 / 12.3	174.7 / 12.3	
Maximum Wheel Floor Loading (right rear)	psi / kg/cm <sup>2</sup>	112.7 / 7.9	112.7 / 7.9	
Maximum Wheel Floor Loading (left rear)	psi / kg/cm <sup>2</sup>	124.7 / 8.8	124.7 / 8.8	
Vibrations at the Hand Controls (ISO 5349-1)	m/s <sup>2</sup>	.26	.26	
Vibrations at the Seat (EN 1032)	m/s <sup>2</sup>	0.05	0.05	
Gradeability Transport		16% (9°)	16% (9°)	
Gradeability Cleaning		9% (5°)	9% (5°)	
<b>Model</b>		<b>Advenger 3405D</b>	<b>Advenger 3405D-C</b>	<b>3400D ST</b>
		<b>Advenger X3405D</b>	<b>Advenger X3405D-C</b>	<b>3400D-C ST</b>
Model No.		56601001	56601009	56601004
		56601006	56601012	56601020
Voltage, Batteries	V	24V	24V	24V
Battery Capacity	Ah	238	238	238
Protection Grade		IPX3	IPX3	IPX3
Sound Power Level (IEC 60335-2-72: 2002 Amend. 1:2005, ISO 3744)	dB(A)/20µPa	63.7/621.7	63.7/621.7	63.7/621.7
Gross Weight	lbs / kg	1,451/658	1,451/658	1,451/658
Maximum Wheel Floor Loading (center front)	psi / kg/cm <sup>2</sup>	174.7 / 12.3	174.7 / 12.3	174.7 / 12.3
Maximum Wheel Floor Loading (right rear)	psi / kg/cm <sup>2</sup>	112.7 / 7.9	112.7 / 7.9	112.7 / 7.9
Maximum Wheel Floor Loading (left rear)	psi / kg/cm <sup>2</sup>	124.7 / 8.8	124.7 / 8.8	124.7 / 8.8
Vibrations at the Hand Controls (ISO 5349-1)	m/s <sup>2</sup>	.26	.26	.26
Vibrations at the Seat (EN 1032)	m/s <sup>2</sup>	0.05	0.05	0.05
Gradeability Transport		16% (9°)	16% (9°)	16% (9°)
Gradeability Cleaning		9% (5°)	9% (5°)	9% (5°)
<b>Model</b>		<b>Advenger 2805D-C</b>	<b>Advenger X2805C-C</b>	<b>2800D ST</b>
		<b>Advenger X2805D-C</b>	<b>Advenger 2805C-C</b>	<b>2800D-C ST</b>
Model No.		56601008	56601013	56601003
		56601011	56601010	56601019
Voltage, Batteries	V	24V	24V	24V
Battery Capacity	Ah	238	238	238
Protection Grade		IPX3	IPX3	IPX3
Sound Power Level (IEC 60335-2-72: 2002 Amend. 1:2005, ISO 3744)	dB(A)/20µPa	63.7/621.7	63.7/621.7	63.7/621.7
Gross Weight	lbs / kg	1,451/658	1,451/658	1,451/658
Maximum Wheel Floor Loading (center front)	psi / kg/cm <sup>2</sup>	174.7 / 12.3	174.7 / 12.3	174.7 / 12.3
Maximum Wheel Floor Loading (right rear)	psi / kg/cm <sup>2</sup>	112.7 / 7.9	112.7 / 7.9	112.7 / 7.9
Maximum Wheel Floor Loading (left rear)	psi / kg/cm <sup>2</sup>	124.7 / 8.8	124.7 / 8.8	124.7 / 8.8
Vibrations at the Hand Controls (ISO 5349-1)	m/s <sup>2</sup>	.26	.26	.26
Vibrations at the Seat (EN 1032)	m/s <sup>2</sup>	0.05	0.05	0.05
Gradeability Transport		16% (9°)	16% (9°)	16% (9°)
Gradeability Cleaning		9% (5°)	9% (5°)	9% (5°)

**X** = AXP(Chemical Injection) (IE: **Advenger™ X2805D**)

**-C** = Onboard Charger (IE: **Advenger™ 3405D-C**)

## ÍNDICE

	Página
Introducción .....	B-2
Precauciones y advertencias.....	B-3
Conozca su máquina.....	B-4 – B-5
Paneles de control.....	B-6 – B-7

### Preparación de la máquina para su uso

Instalación de las baterías.....	B-8
Instalación de los cepillos.....	B-9
Instalación de la rasqueta.....	B-10
Llenado del depósito de solución .....	B-10
Sistema de detergente (AXP™).....	B-11 – B-12

### Manejo de la máquina

Fregado .....	B-13
Aspiración en húmedo.....	B-14
Después de la utilización.....	B-15
Programa de mantenimiento .....	B-15
Lubricación de la máquina.....	B-15
Recarga de las baterías (líquido) .....	B-16
Comprobación del nivel de agua de las baterías .....	B-16
Recarga de las baterías (gel) .....	B-16
Mantenimiento de la rasqueta .....	B-17
Ajuste de la rasqueta.....	B-17
Mantenimiento del faldón lateral.....	B-18
Mantenimiento del faldón lateral.....	B-18
Resolución de problemas .....	B-19
Especificaciones técnicas.....	B-20

## INTRODUCCIÓN

Este manual le ayudará a obtener el máximo rendimiento de su limpiadora/secadora automática **Advance™**. Léalo con atención antes de utilizar la máquina.

**Nota:** Los números que aparecen en **negrita entre paréntesis** indican elementos ilustrados en las páginas **B-4 – B-7**, a menos que se indique lo contrario.

Este producto está destinado exclusivamente a uso comercial.

## COMPONENTES Y SERVICIO

Las reparaciones, cuando sean necesarias, deben ser realizadas por su Centro Autorizado de Servicio Advance que utiliza personal de servicio formado en fábrica y lleva un inventario de piezas de repuesto y accesorios Advance originales.

Llame a Advance para lo referente a piezas de repuesto y servicio. Por favor, especifique el Modelo y Número de Serie cuando hable de su máquina.

(Distribuidor, coloque aquí la pegatina de su servicio.)

## PLACA DE IDENTIFICACIÓN

El Número de Modelo y de Serie de la máquina se indican en la placa de identificación instalada en el compartimento de las baterías. Esta información es necesaria a la hora de solicitar repuestos para la máquina. Utilice el siguiente espacio para anotar el Modelo y el Número de Serie de su máquina para futuras consultas.

Modelo \_\_\_\_\_

Número de Serie \_\_\_\_\_

## DESEMBALAJE DE LA MÁQUINA

Cuando reciba la máquina, examine con atención el embalaje y la máquina, con el fin de comprobar si existe algún daño. Si observa algún daño, guarde la caja de embalaje (si procede) para que se pueda inspeccionar. Póngase en contacto inmediatamente con el Departamento de Servicio al Cliente de Advance para presentar una reclamación por daños en transporte. Consulte la hoja de instrucciones de desembalaje incluida con la máquina para sacar la máquina del palet.

## PRECAUCIONES Y ADVERTENCIAS

### SÍMBOLOS

Advance utiliza los símbolos que aparecen a continuación para indicar situaciones potencialmente peligrosas. Lea cuidadosamente esta información y emprenda las acciones que resulten necesarias para proteger a personas y objetos.

#### ¡PELIGRO!

Se utiliza para advertir de peligros inmediatos que pueden producir graves daños personales o la muerte.

#### ¡ADVERTENCIA!

Se utiliza para llamar la atención sobre una situación que puede causar graves daños personales.

#### ¡PRECAUCIÓN!

Se utiliza para llamar la atención sobre una situación que puede causar daños personales leves o daños a la máquina u otros objetos.



Lea todas y cada una de las instrucciones antes de utilizar el aparato.

## INSTRUCCIONES GENERALES DE SEGURIDAD

Se incluyen Precauciones y Advertencias específicas que le advierten de los posibles riesgos de daño a la máquina o daño corporal.

#### ¡ADVERTENCIA!

- \* Sólo deben utilizar esta máquina las personas autorizadas y con la formación adecuada.
- \* Si se encuentra sobre una rampa o inclinación, evite las paradas bruscas cuando lleve carga. No tome las curvas bruscamente. Utilice una velocidad lenta si va cuesta abajo. Limpie sólo yendo cuesta arriba.
- \* Mantenga las chispas, llamas y materiales de fumadores alejados de las baterías. Durante el funcionamiento normal se desprenden gases explosivos.
- \* Al recargar las baterías se produce gas de hidrógeno altamente explosivo. Recargue las baterías exclusivamente en zonas bien ventiladas, lejos de llamas sin proteger. No fume mientras recarga las baterías.
- \* Qítense todas las joyas cuando trabaje cerca de componentes eléctricos.
- \* Ponga el conmutador en posición de apagado (O) y desconecte las baterías antes de revisar los componentes eléctricos.
- \* No trabaje nunca debajo de la máquina sin colocar antes bloques o soportes de seguridad en los que apoyar la máquina.
- \* No aplique sustancias limpiadoras inflamables ni utilice la máquina sobre estas sustancias, cerca de ellas, ni en zonas en las que haya líquidos inflamables.
- \* No lave la máquina con una limpiadora a presión.
- \* No haga funcionar esta máquina en rampas o en pendientes superiores al 2 por ciento.
- \* Use solamente los cepillos suministrados junto con el aparato o aquellos especificados en el manual de instrucciones. El uso de otros cepillos puede afectar a la seguridad.

#### ¡PRECAUCIÓN!

- \* Esta máquina no ha sido aprobada para su uso en vías públicas.
- \* Esta máquina no es apta para la recogida de polvo peligroso.
- \* Tenga cuidado cuando utilice discos de escarificación y piedras abrasivas. No se podrá responsabilizar a Advance de daño alguno a las superficies de los suelos causado por escarificadores o piedras abrasivas.
- \* Cuando utilice la máquina, asegúrese de que no existe peligro para terceras personas, especialmente niños.
- \* Antes de proceder a cualquier función de servicio, lea con atención todas las instrucciones relativas a dicha función.
- \* No deje la máquina sin vigilancia sin antes haber puesto el conmutador en posición de apagado (O), haber quitado la llave y haber aplicado el freno de estacionamiento.
- \* Apague el conmutador de llave (O) y quite la llave antes de cambiar los cepillos y antes de abrir cualquiera de los paneles de acceso.
- \* Tome las debidas precauciones para evitar que el pelo, las joyas o las prendas sueltas queden atrapados entre los componentes móviles.
- \* Tome las precauciones adecuadas cuando esté moviendo esta máquina mientras hiela. El agua de la solución, los depósitos de recuperación o detergente y de las tuberías puede congelarse, causando daños a las válvulas y accesorios. Limpie con limpiaparabrisas.
- \* Retire las baterías de la máquina antes de su desguace. Las baterías deben desecharse de forma segura, de acuerdo con la reglamentación medioambiental local.
- \* No utilice la máquina en superficies con pendientes superiores a las indicadas en la máquina.
- \* Antes de utilizar la máquina, todas las puertas y cubiertas deberían estar colocadas como se indica en el manual de instrucciones.
- \* Consulte el manual del producto OEM del cargador de batería para obtener advertencias adicionales sobre el cargador de batería específico.

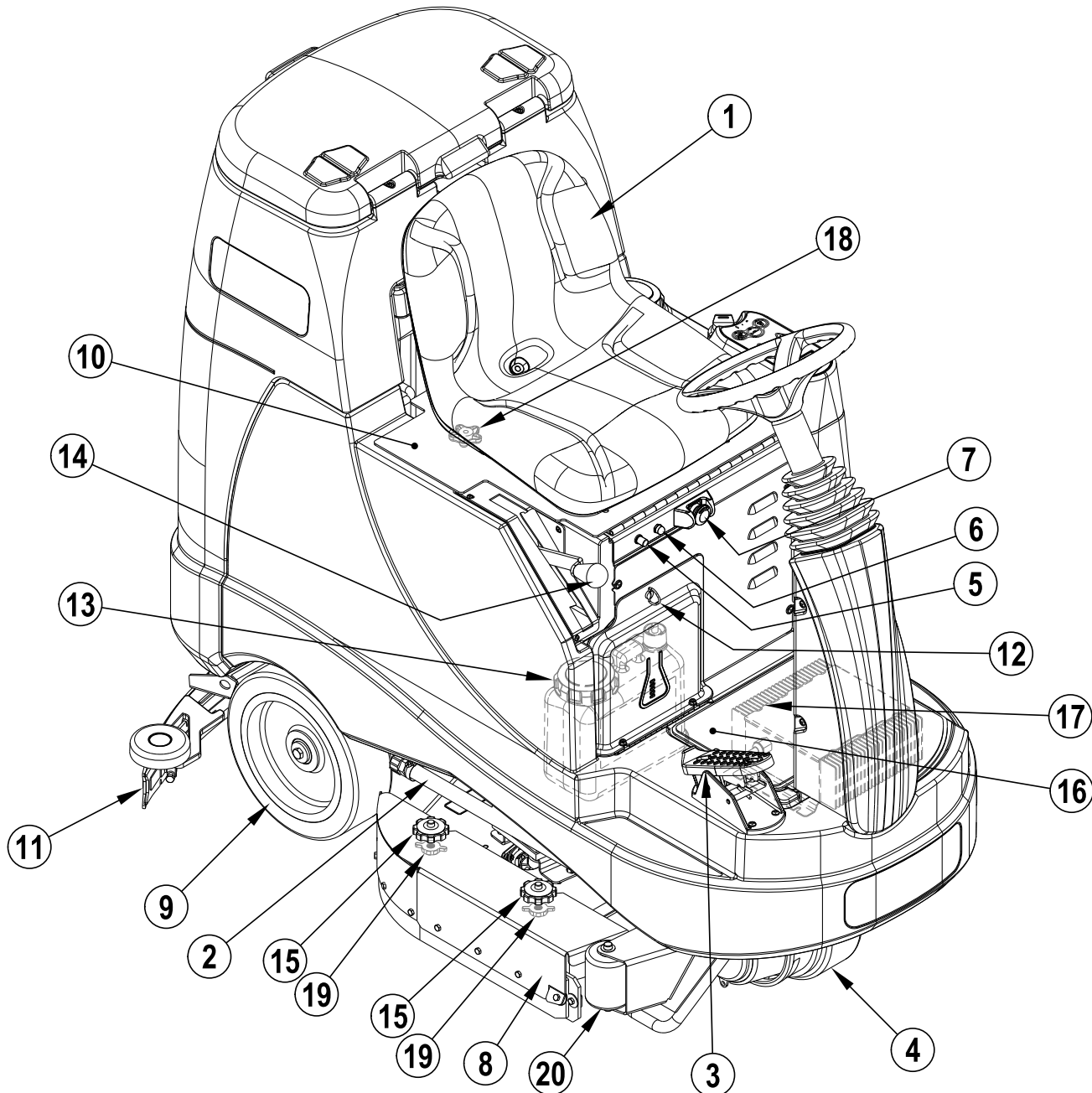
## GUARDE ESTAS INSTRUCCIONES



## CONOZCA SU MÁQUINA

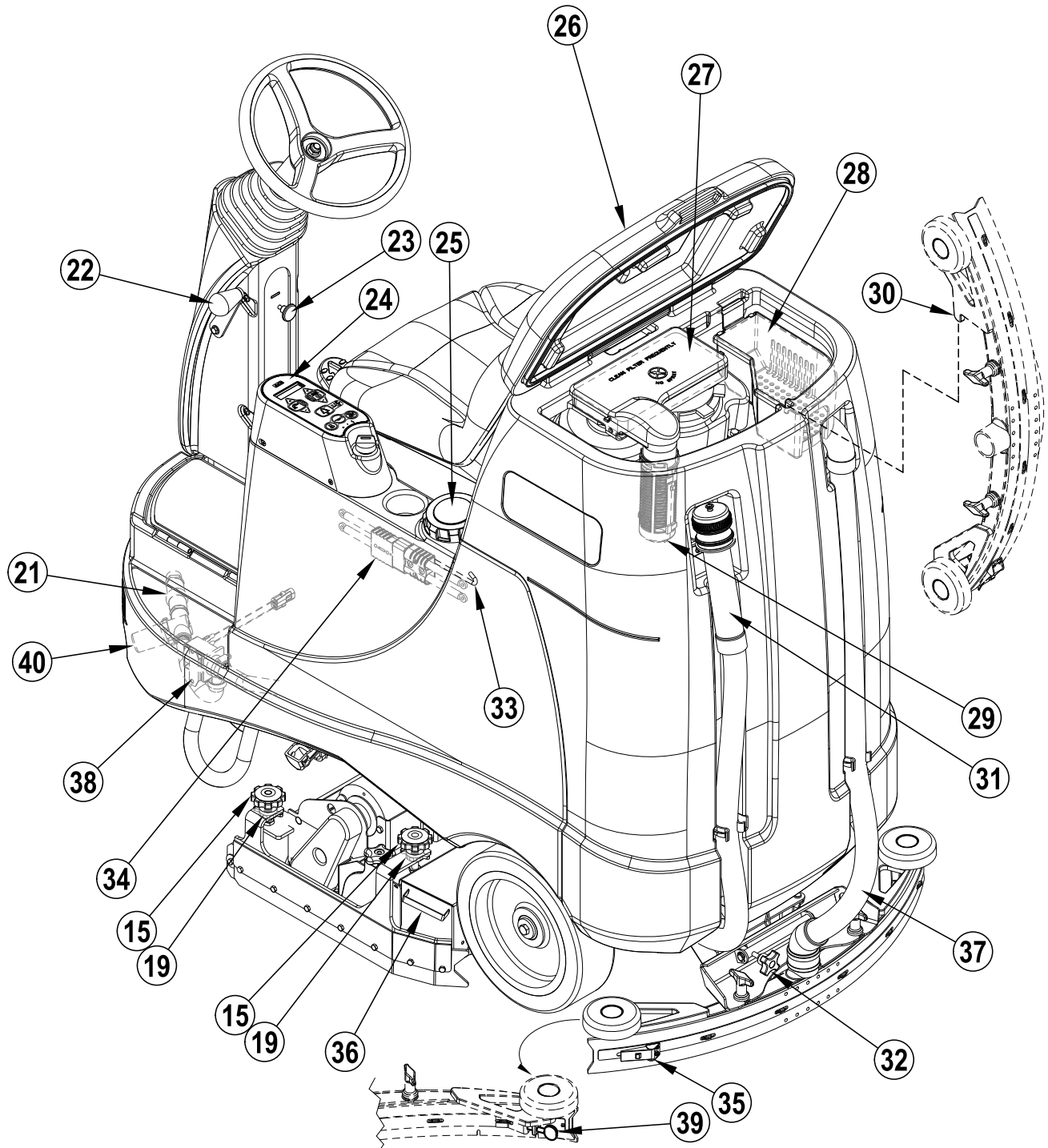
A lo largo de este manual encontrará números o letras en negrita entre paréntesis – por ejemplo: **(2)**. Estos números se refieren a un objeto que se muestra en dicha página, a menos que se indique lo contrario. Consulte esta página siempre que sea necesario para encontrar la localización de un objeto mencionado en el texto. **NOTA:** Consulte el manual de servicio para obtener explicaciones más detalladas de cada objeto ilustrado en las siguientes 4 páginas.

- |    |  |    |  |
|----|--|----|--|
| 1  | Asiento del operador                           | 12 | Cubierta de acceso al cartucho de detergente (solo modelos AXP)            |
| 2  | Tubería de drenaje del depósito de solución    | 13 | Cartucho de detergente (solo modelos AXP)                                  |
| 3  | Pedal de tracción, dirección/velocidad         | 14 | Palanca de elevación/bajada de la plataforma de limpieza (solo modelos ST) |
| 4  | Rueda motriz                                   | 15 | Mandos de retirada de la plataforma de limpieza                            |
| 5  | Disyuntor de la rueda de tracción (70 A)       | 16 | Puerta de acceso al cargador de la batería                                 |
| 6  | Disyuntor del circuito de control (10 A)       | 17 | Cargador de la batería (opcional)  |
| 7  | Parada de emergencia                           | 18 | Mando de ajuste del asiento (opcional en modelos ST)                       |
| 8  | Plataforma de limpieza                         | 19 | Mando de ajuste de altura del faldón de la plataforma                      |
| 9  | Rueda trasera                                  | 20 | Parachoques del rodillo frontal  |
| 10 | Compartimiento de la batería (bajo el asiento) |    |  |
| 11 | Conjunto de la rasqueta                        |    |  |



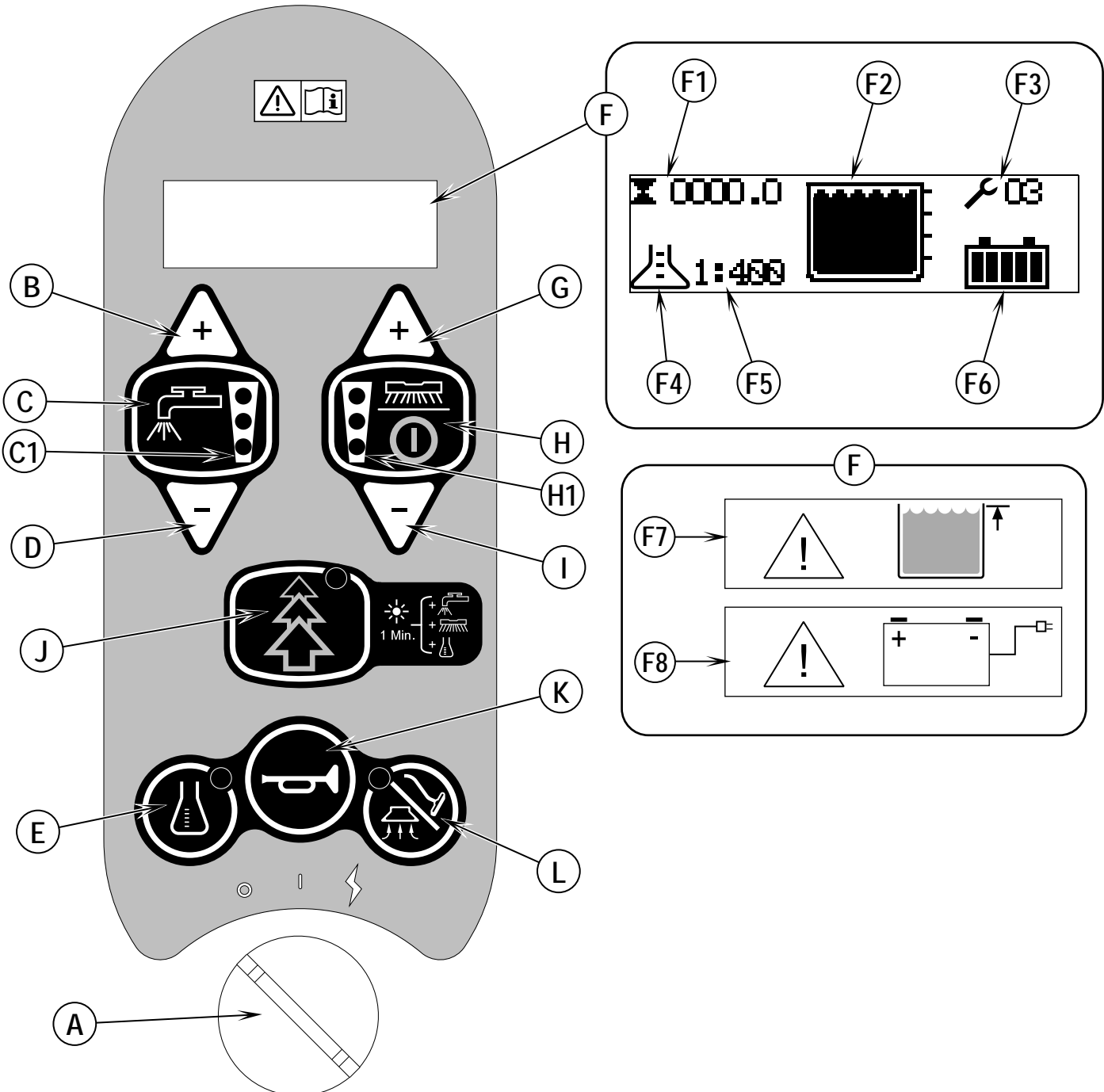
**CONOZCA SU MÁQUINA**

- |    |  |    |  |
|----|--|----|--|
| 21 | Válvula de cierre de la solución                             | 31 | Tubo de drenaje del depósito de recuperación                       |
| 22 | Palanca de elevación/bajada de la rasqueta (solo modelos ST) | 32 | Mando de ajuste de inclinación de la rasqueta                      |
| 23 | Mando de ajuste de inclinación del volante                   | 33 | Varilla de apoyo del asiento                                       |
| 24 | Panel de control   | 34 | Conector de las baterías de la máquina                             |
| 25 | Tapa de llenado del depósito de solución                     | 35 | Pestillo de retirada de la hoja de la rasqueta trasera             |
| 26 | Tapa del depósito de recuperación                            | 36 | Tolva (sólo modelos cilíndricos)                                   |
| 27 | Alojamiento del filtro del motor de aspiración               | 37 | Tubo de recuperación   |
| 28 | Cesta del filtro (opcional en modelos ST)                    | 38 | Válvula de solenoide de la solución                                |
| 29 | Flotador de cierre del depósito de recuperación              | 39 | Tuerca de maripasa de retirada de la hoja de la rasqueta delantera |
| 30 | Gancho de almacenamiento de la rasqueta                      | 40 | Filtro de la solución  |



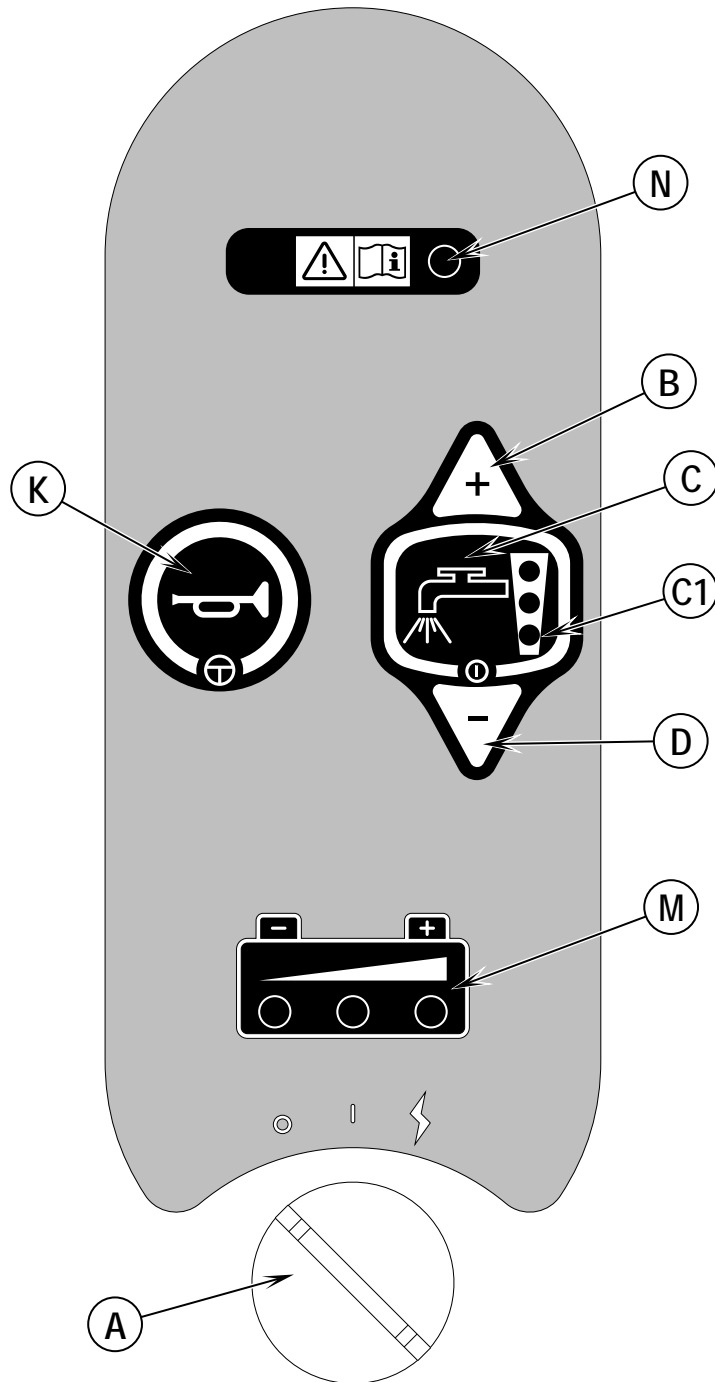
## PANEL DE CONTROL (MODELOS ADVENGER)

- |    |  |    |  |
|----|--|----|--|
| A  | Interruptor de contacto                                      | G  | Interruptor de aumento de la presión de fregado            |
| B  | Interruptor de aumento de la solución                        | H  | Interruptor de encendido/apagado de fregado                |
| C  | Interruptor de encendido/apagado de la solución              | H1 | Indicadores de presión de fregado (normal, duro y extremo) |
| C1 | Indicadores de flujo de la solución (normal, duro y extremo) | I  | Interruptor de reducción de la presión de fregado          |
| D  | Interruptor de reducción de la solución                      | J  | Interruptor EverGreen                                      |
| E  | Interruptor de encendido/apagado de AXP                      | K  | Interruptor de claxon                                      |
| F  | Pantalla   | L  | Interruptor de aspiración/varilla                          |
| F1 | Medidor de horas de funcionamiento                           |    |  |
| F2 | Indicador de nivel del depósito de solución                  |    |  |
| F3 | Códigos de error   |    |  |
| F4 | Indicador AXP (si está instalado)                            |    |  |
| F5 | Indicador de mezcla de detergente                            |    |  |
| F6 | Indicador de batería   |    |  |
| F7 | Indicador de depósito de recuperación lleno                  |    |  |
| F8 | Indicador de batería baja                                    |    |  |



**PANEL DE CONTROL (MODELOS ST)**

- A Interruptor de contacto
- B Interruptor de aumento de la solución
- C Interruptor de encendido/apagado de la solución
- C1 Indicadores de flujo de la solución (normal, duro y extremo)
- D Interruptor de reducción de la solución
- K Claxon
- M Indicador de batería
- N Indicador de errores



## BATERÍAS

Si su máquina se entrega con baterías instaladas, realice lo siguiente:

- Compruebe que las baterías estén conectadas a la máquina (34).
- Encienda el interruptor de contacto (A) y compruebe el indicador de batería (F6 o M). Si el indicador está completamente lleno o la luz verde está encendida, las baterías están listas para su uso. Si el indicador no está completamente lleno o la luz verde está apagada, las baterías deberían recargarse antes de su uso. Consulte la sección "Recarga de las baterías".
- **¡IMPORTANTE!** SI SU MÁQUINA ESTÁ EQUIPADA CON UN CARGADOR DE BATERÍA A BORDO, CONSULTE EL MANUAL DEL PRODUCTO OEM PARA OBTENER INSTRUCCIONES SOBRE EL AJUSTE DEL CARGADOR PARA EL TIPO DE BATERÍA.

Consulte TSBUS2008-984 para ver cuáles son los últimos algoritmos del cargador de baterías.

Si su máquina se entrega sin baterías instaladas, realice lo siguiente:

- Consulte con su distribuidor autorizado Advance en cuanto a las baterías recomendadas.
- Instale las baterías siguiendo las instrucciones indicadas a continuación.
- **NO instale dos baterías de 12 voltios en su máquina. Esto afectará a la estabilidad de la máquina.**
- **¡IMPORTANTE!** SI SU MÁQUINA ESTÁ EQUIPADA CON UN CARGADOR DE BATERÍA A BORDO, CONSULTE EL MANUAL DEL PRODUCTO OEM PARA OBTENER INSTRUCCIONES SOBRE EL AJUSTE DEL CARGADOR PARA EL TIPO DE BATERÍA.

Consulte TSBUS2008-984 para ver cuáles son los últimos algoritmos del cargador de baterías.

## INSTALACIÓN DE LAS BATERÍAS



### ¡ADVERTENCIA!

Tome las máximas precauciones cuando trabaje con las baterías. El ácido sulfúrico de las baterías puede causar daños graves si entra en contacto con la piel o con los ojos. Desde el interior de las baterías se libera gas explosivo de hidrógeno a través de unas aperturas en las tapas de las baterías. Este gas puede incendiarse con cualquier arco eléctrico, chispa o llama. No instale baterías de plomo-ácido en un contenedor cerrado. El gas de hidrógeno debido a la sobrecarga debe poder liberarse.

Cuando revise las baterías...

- \* Qítense todas las joyas
- \* No fume
- \* Lleve gafas de seguridad, un delantal de goma y guantes de goma
- \* Trabaje en una zona bien ventilada
- \* No permita que las herramientas toquen simultáneamente más de un terminal de batería
- \* Al sustituir las baterías, desconecte SIEMPRE en primer lugar el cable (de tierra) negativo para evitar chispas.
- \* Al instalar las baterías, conecte SIEMPRE el cable negativo al final.



### ¡PRECAUCIÓN!

Los componentes eléctricos de esta máquina pueden dañarse seriamente si las baterías no están instaladas o conectadas correctamente. Las baterías deben ser instaladas por Advance, un electricista cualificado o el fabricante de las baterías.

- 1 Apague (O) el interruptor de contacto (A) y quite la llave. A continuación abra la tapa del compartimento de las baterías (10) y ajuste la varilla de apoyo (33).
- 2 Con (2) personas y una correa de elevación apropiada, levante con cuidado las baterías hasta la bandeja del compartimento, exactamente tal y como se muestra. Consulte la disposición de cables de batería de la pegatina 56601416.
- 3 **Consulte la figura 1.** Instale los cables de las baterías tal y como se muestra y apriete las tuercas de los bornes de las baterías.
- 4 Instale los manguitos de las baterías y apriételes bien a los cables de las baterías con las correas de sujeción provistas.
- 5 Conecte el conector del conjunto de las baterías al conector de la máquina (34) y cierre la tapa del compartimento de las baterías.

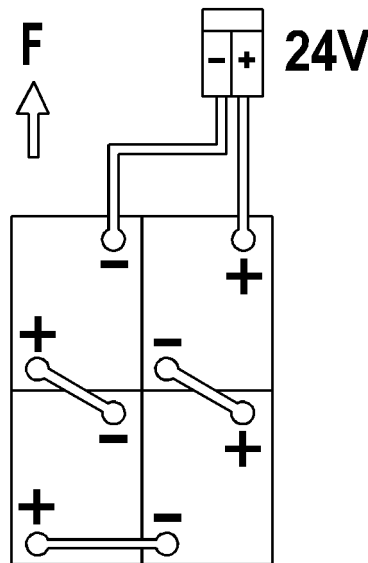


### ¡PRECAUCIÓN!

Antes de cambiar las baterías, consulte TSBUS2008-984 o llame al servicio técnico; en Estados Unidos: 800-989-2235; en Canadá: 800-668-8400; en México: +52 (55)2591 1002 ext. 228.

FIGURA 1

415A/H - 20HR - RATE



**CAUTION:** Before changing batteries, consult TSBUS2008-984 or call Technical Service at USA: 800-989-2235 / Canada: 800-668-8400 Mexico: +52 (55) 2591 1002 ext.228

## INSTALACIÓN DE LOS CEPILLOS (SISTEMA DE DISCO)

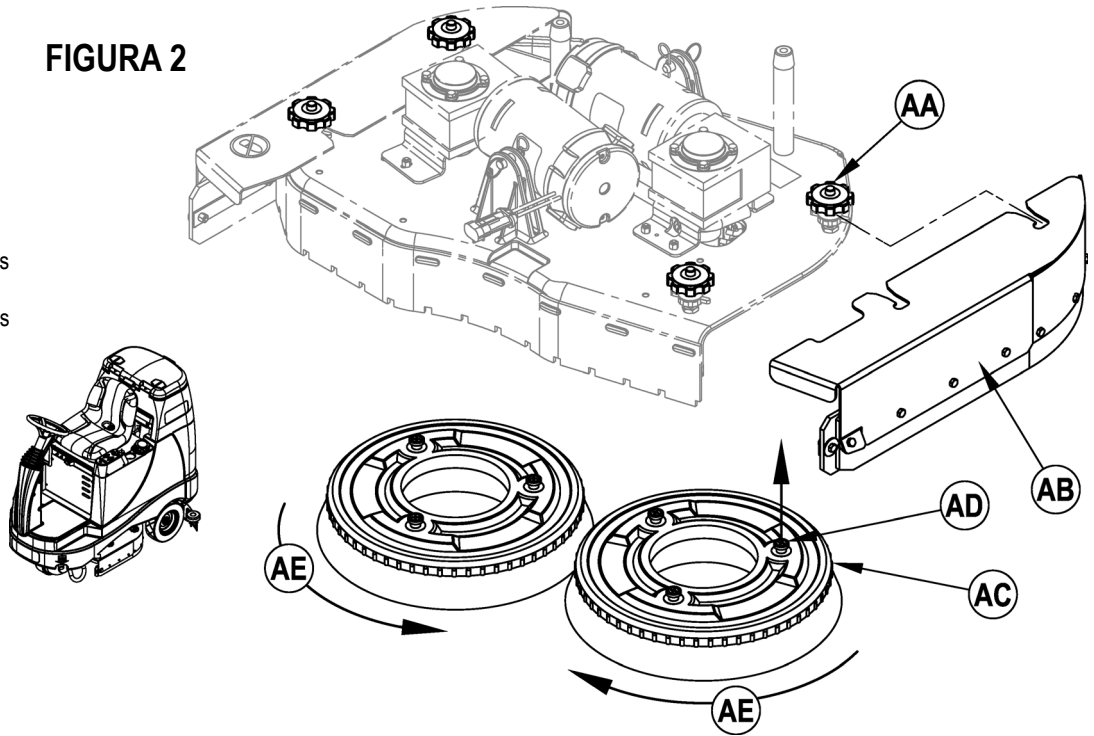


### ¡PRECAUCIÓN!

Apague el interruptor de contacto (O) y quite la llave antes de cambiar los cepillos y antes de abrir cualquiera de los paneles de acceso.

- 1 Asegúrese de que la plataforma de limpieza se encuentre en la posición ELEVADA. Asegúrese de que el interruptor de contacto (A) está apagado (O).
- 2 **Consulte la figura 2.** Retire ambos conjuntos de faldones laterales. **NOTA:** Los faldones se mantienen en su sitio gracias a dos mandos grandes (AA). Afloje ambos mandos, deslice los conjuntos de faldones (AB) hacia delante ligeramente y luego hacia afuera, para sacarlos de la plataforma de limpieza.
- 3 Para montar los cepillos (AC) (o los portabayetas), alinee las lengüetas (AD) del cepillo con las ranuras de la placa de montaje y gire para que se bloquee en su sitio (gire el borde exterior del cepillo hacia la parte delantera de la máquina como se muestra (AE)).

FIGURA 2



## INSTALACIÓN DE LOS CEPILLOS (SISTEMA CILÍNDRICO)

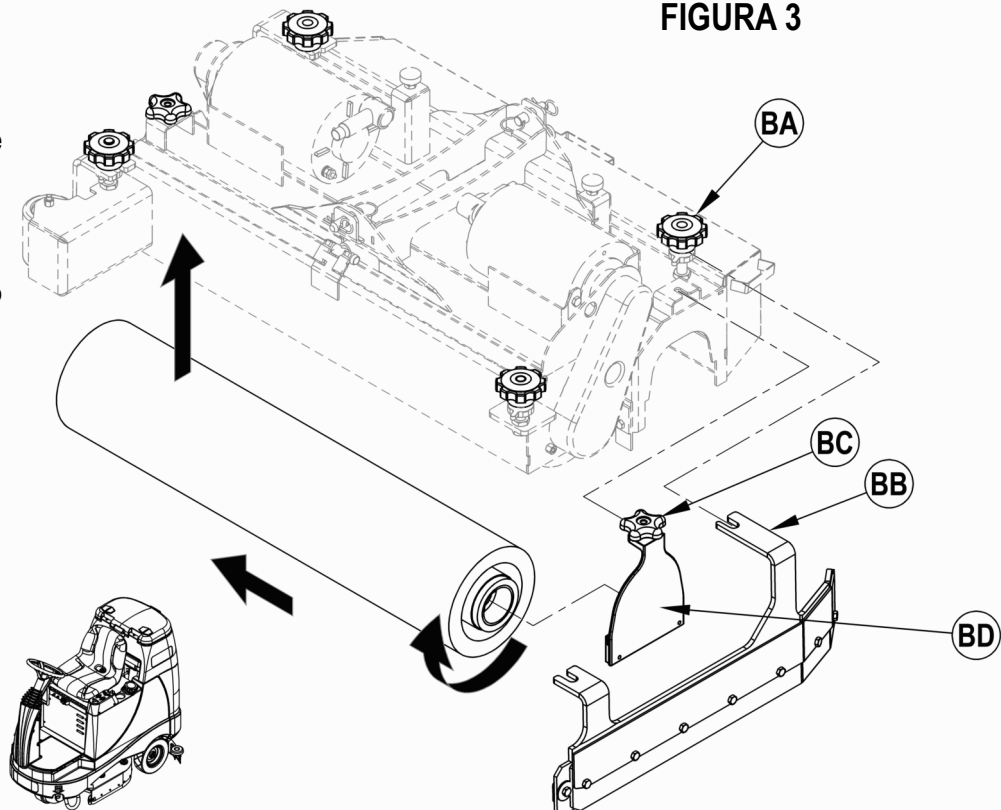


### ¡PRECAUCIÓN!

Apague el interruptor de contacto (O) y quite la llave antes de cambiar los cepillos y antes de abrir cualquiera de los paneles de acceso.

- 1 Asegúrese de que la plataforma de limpieza se encuentre en la posición ELEVADA. Asegúrese de que el interruptor de contacto (A) está apagado (O).
- 2 **Consulte la figura 3.** Retire ambos conjuntos de faldones laterales. **NOTA:** los faldones se mantienen en su sitio gracias a dos mandos grandes (BA). Afloje ambos mandos y luego deslice los conjuntos de los faldones (BB) hacia fuera de la plataforma de limpieza.
- 3 Afloje los mandos negros (BC) que están en la parte superior de los conjuntos de reposo (BD) y retire el conjunto.
- 4 Deslice el cepillo en el alojamiento, levante ligeramente, empuje y gire hasta que se asiente. Vuelva a instalar los conjuntos de reposo (BD) y los conjuntos de los faldones (BB).

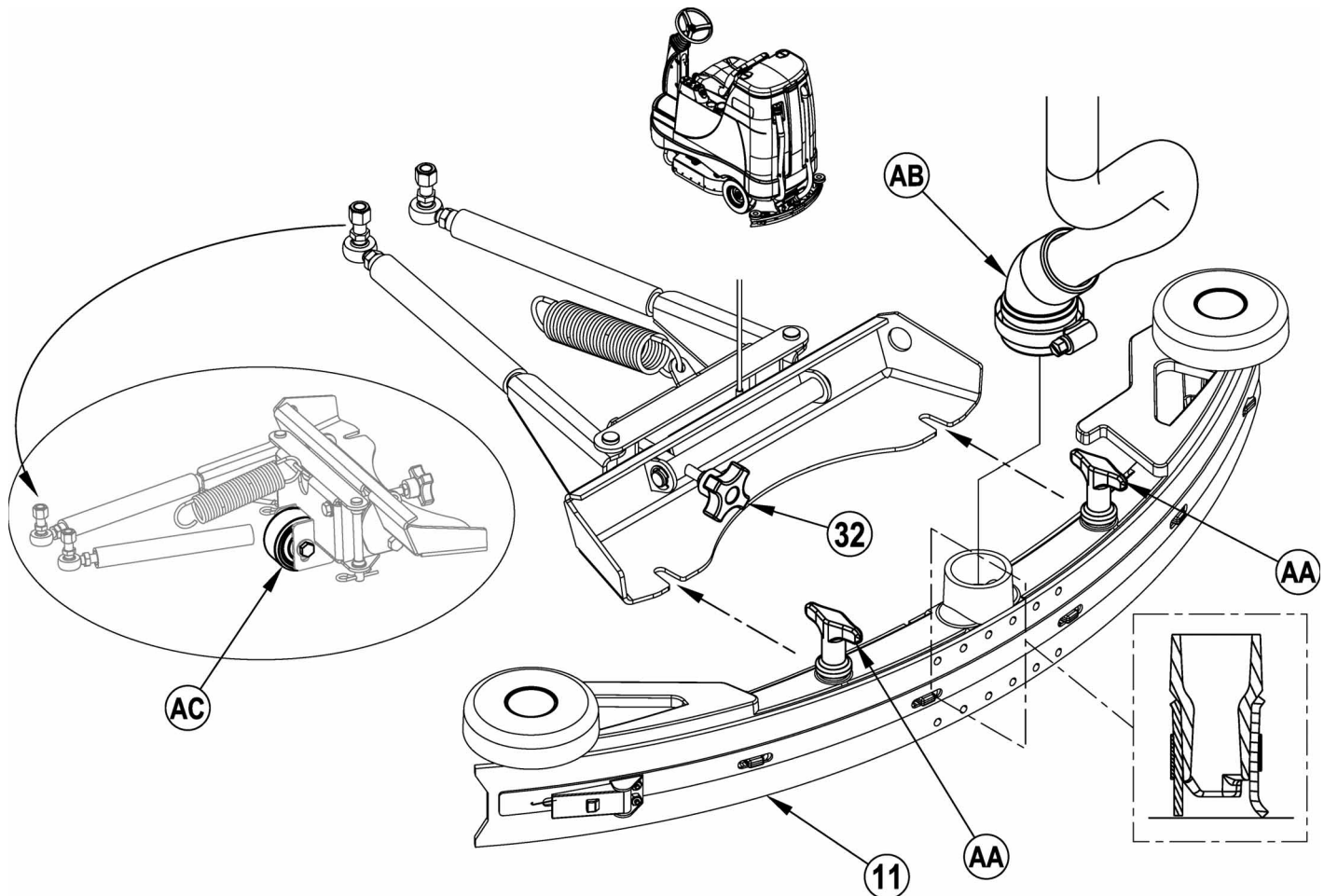
FIGURA 3



## INSTALACIÓN DE LA RASQUETA

- 1 Consulte la figura 4. Deslice en conjunto de la rasqueta (11) sobre la abrazadera de montaje de la misma, y apriete las tuercas de mariposa de montaje de la rasqueta (AA).
- 2 Conecte el tubo de recuperación (AB) a la entrada de la rasqueta.
- 3 Baje la rasqueta, desplace la máquina hacia delante y ajuste la inclinación y la altura de la rasqueta utilizando el mando de ajuste de inclinación de la rasqueta (32) y la rueda de altura de la rasqueta (28), de manera que la hoja de la rasqueta trasera toque el suelo homogéneamente en toda su anchura y se doble ligeramente como se muestra en la sección transversal de la rasqueta.

FIGURA 4



## LLENADO DEL DEPÓSITO DE SOLUCIÓN

Lea la etiqueta del producto químico de limpieza y calcule la cantidad adecuada de producto químico que se debe mezclar para un depósito con capacidad de 106 litros.

Abra la tapa del depósito de solución (2) y llene 1/3 del depósito de agua. Añada el producto químico de limpieza y llene el depósito todo lo que reste. **NOTA:** las máquinas AXP pueden utilizarse normalmente con detergente mezclado en el depósito o en el sistema AXP. Al utilizar el sistema de aplicación de detergente AXP, no mezcle detergente en el depósito; utilice agua normal.



## ¡PRECAUCIÓN!

Utilice únicamente detergentes líquidos no inflamables de bajo poder espumante que estén diseñados para aplicaciones de fregado automático. La temperatura del agua no deberá superar los 130 grados Fahrenheit (54,4 grados Celsius)

## REPARACIÓN Y USO DEL SISTEMA DE DETERGENTE (SOLO MODELOS AXP)

### INSTRUCCIONES COMUNES:

Si se presiona y se suelta el interruptor de detergente (**E**) mientras el sistema de la solución está activo, el sistema de detergente se encenderá y apagará alternativamente. Elimine del sistema el detergente utilizado anteriormente antes de cambiar a un detergente diferente. **NOTA DE SERVICIO:** desplace la máquina sobre un punto de drenaje en el suelo antes de eliminar el detergente, porque saldrá una pequeña cantidad durante el proceso.

### Purgar al cambiar productos químicos:

- 1 Desconecte y retire el cartucho de detergente.
- 2 Encienda el interruptor de contacto (**A**). Pulse y mantenga pulsado el interruptor de la solución (**C**) y el interruptor de detergente (**E**) durante 3 segundos. **NOTA:** una vez activado, el proceso de purga dura 20 segundos. Consulte los indicadores del sistema de detergente en la ilustración de la página siguiente. Por lo general, un solo ciclo de purga es suficiente para purgar el sistema.

### Purgar semanalmente:

- 1 Desconecte y retire el cartucho de detergente. Instale y conecte un cartucho lleno de agua limpia.
- 2 Encienda el interruptor de contacto (**A**). Pulse y mantenga pulsado el interruptor de la solución (**C**) y el interruptor de detergente (**E**) durante 3 segundos. **NOTA:** una vez activado, el proceso de purga dura 20 segundos. Consulte los indicadores del sistema de detergente en la ilustración de la página siguiente. Por lo general, un solo ciclo de purga es suficiente para purgar el sistema.

Cuando el cartucho de detergente esté casi vacío se encenderá un indicador en el panel de visualización (**F4**). El indicador de "detergente bajo" permanecerá encendido hasta que reinicie el sistema. Cuando se encienda este indicador, sólo tiene que verter una botella completa de 3,7 litros de detergente en el cartucho para rellenarlo sin preocuparse de las medidas. **NOTA:** reinicie el sistema únicamente cuando el cartucho esté lleno. Al cambiar de cartuchos, el indicador de "detergente bajo" únicamente es exacto si el cartucho de repuesto está al mismo nivel que el cartucho sustituido.

### Para reiniciar:

- 1 Encienda el interruptor de contacto (**A**). Pulse y mantenga pulsado el interruptor de aumento de solución (**B**) y el interruptor de reducción de solución (**D**) durante 3 segundos. Consulte los indicadores del sistema de detergente en la ilustración de la página siguiente.

### Mezcla de detergente:

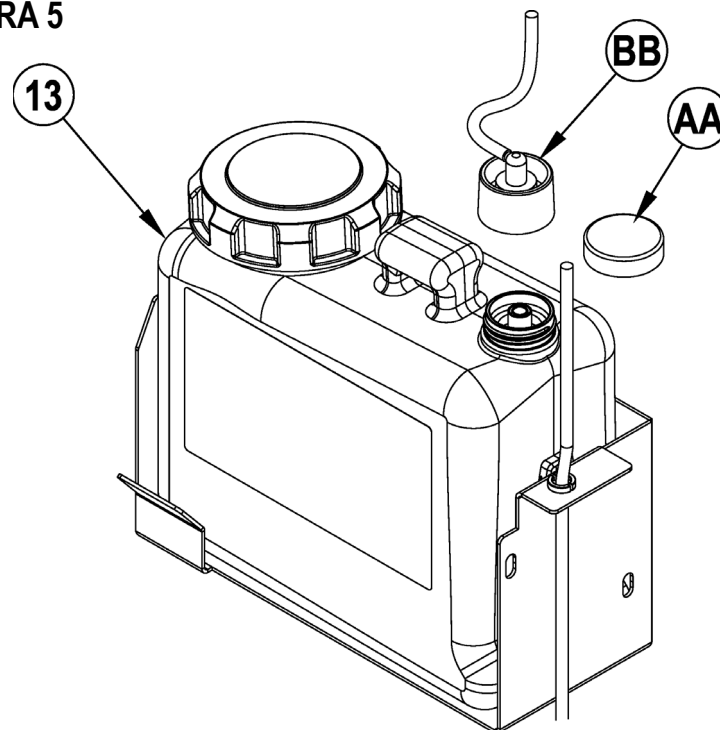
- 1 La mezcla de detergente está bloqueada en 1:400, excepto si se anula el modo de limpieza EverGreen. Es posible ajustar la mezcla preprogramada que se utiliza durante la anulación del modo EverGreen. Con el sistema de detergente apagado, presione y mantenga presionado el interruptor de encendido/apagado de detergente (**E**) durante 2 segundos. El indicador de detergente parpadeará y cada pulsación del interruptor realizará un ciclo a través de las mezclas disponibles (1:32, 1:50, 1:64, 1:100, 1:128, 1:150, 1:200, 1:256, 1:300, 1:400). Cuando la mezcla deseada se muestre en la pantalla (**F5**), pare y se bloqueará tras 5 segundos.

### INSTRUCCIONES PARA EL CARTUCHO:

El cartucho de detergente (**13**) está situado detrás de la puerta de acceso al cartucho de detergente (**12**) en el compartimento del operador. Llene el cartucho de detergente con 4,73 litros de detergente como máximo. **NOTA DE SERVICIO:** retire el cartucho de la caja de detergente antes de llenarlo para no derramar detergente sobre la máquina.

Se recomienda utilizar un cartucho individual para cada detergente que planea usar. Los cartuchos de detergente tienen una pegatina blanca, de modo que puede escribir el nombre del detergente en cada cartucho para no mezclarlos. Al instalar un nuevo cartucho, retire la tapa (**AA**) y coloque el cartucho en la caja de detergente. Instale la tapa sellada (**BB**) y el tubo de detergente como se muestra.

FIGURA 5





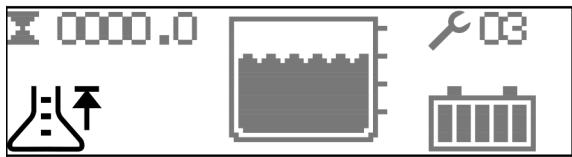
## PREPARACIÓN Y USO DEL SISTEMA DE DETERGENTE (SOLO MODELOS AXP)



DETERGENTE ACTIVADO



DETERGENTE DESACTIVADO



LLENO (REINICIO)

Presione y mantenga presionados (B) y (D) durante 3 segundos para reiniciar.

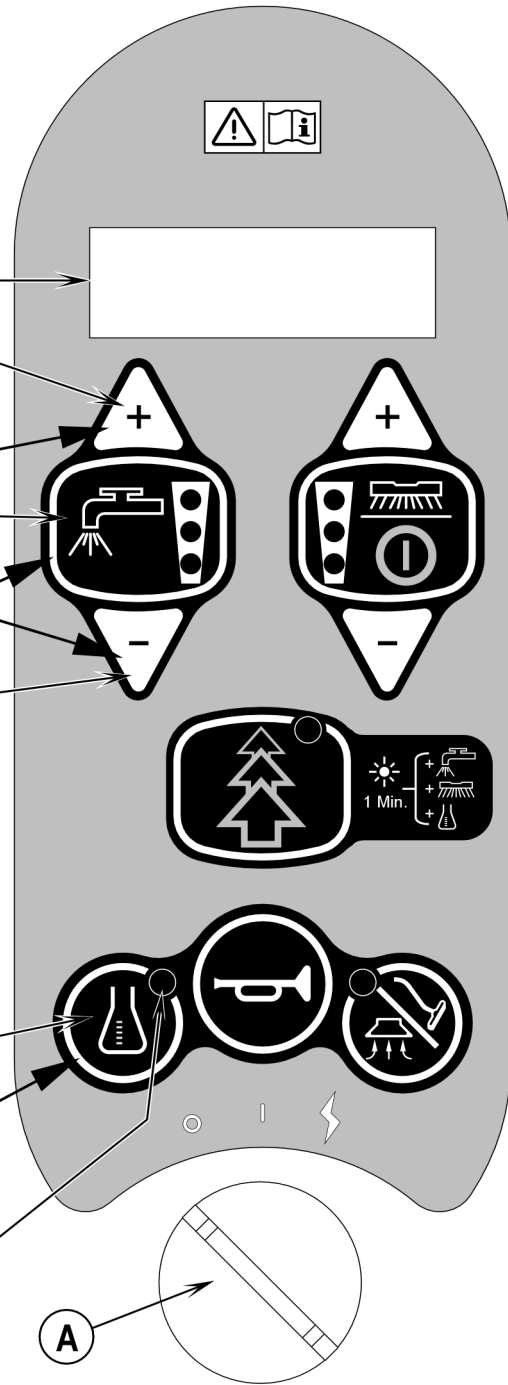


DETERGENTE BAJO



PURGA

Presione y mantenga presionados (C) y (E) durante 3 segundos para purgar.



El sistema de detergente está encendido cuando el indicador está encendido.

**MANEJO DE LA MÁQUINA**



**¡ADVERTENCIA!**

Asegúrese de que comprende los controles del operador y sus funciones.

Al circular sobre rampas o pendientes, evite las paradas bruscas si lleva carga. Evite las curvas muy cerradas. Circule lentamente al bajar pendientes. Si está en una rampa, limpie sólo al subir la misma.

**Para fregar...**

Siga las instrucciones de la sección "Preparación de la máquina para el uso" de este manual.

- 1 **Consulte la figura 6.** Sentado en la máquina, ajuste el volante a una posición cómoda mediante el mando de ajuste de la inclinación del volante (23). El asiento se puede ajustar si es necesario inclinando el mismo y utilizando el mando de ajuste (18) (modelos Advenger) o aflojando el material de montaje (modelos ST).
- 2 Encienda (I) el interruptor de contacto principal (A). Se encenderán las luces indicadoras del panel de control. Consulte el indicador de estado de las baterías (F6) y el medidor de horas de funcionamiento (F1) (modelos Advenger) o el indicador de las baterías (M) antes de proceder.
- 3 Para llevar la máquina a la zona de trabajo, aplique con el pie una presión uniforme en la parte delantera del pedal de tracción (3) para ir hacia delante, o en la parte trasera del pedal para ir hacia atrás. Cambie la presión que ejerce en el pedal para obtener la velocidad deseada.
- 4 Presione y mantenga presionado el interruptor de la solución (C) para prehumedecer el suelo; mientras se mantenga presionado el interruptor, se dispensará solución. **NOTA:** esto ayuda a evitar la escarificación de la superficie del suelo cuando se empieza a fregar con cepillos secos. Esto debe hacerse antes de presionar el interruptor Fregado encendido (H) (modelos Advenger) o bajando el portacepillos mediante la palanca de elevación/bajada del portacepillos (14) (modelos ST).
- 5a **Modelos Advenger:** Presione el interruptor de encendido/apagado del fregado (H); la plataforma de fregado y la rasqueta se bajarán automáticamente al suelo. Los sistemas de fregado, aspiración, solución y detergente (modelos AXP) se ponen en marcha cuando se activa el pedal de tracción (3). La presión de fregado pasará de forma predeterminada a Normal (se iluminará un indicador de presión de fregado). Use el interruptor de aumento de la presión de fregado (G) o el interruptor de reducción de la presión de fregado (I) para cambiar entre los modos de fregado normal, duro y extremo. El flujo de la solución se ajustará automáticamente para coincidir con la presión de fregado. **NOTA:** el flujo de solución puede cambiarse independientemente de la presión de fregado presionando el interruptor de aumento de la solución (B) o el interruptor de reducción de la solución (D). Los ajustes posteriores de la presión de fregado restablecerán el flujo de la solución para que se corresponda con la presión de fregado. **NOTA:** los sistemas de fregado, solución, aspiración y detergente (modelos AXP) se activan automáticamente cuando se presiona el interruptor de encendido/apagado del fregado (H). Cualquier sistema individual puede apagarse o volver a encenderse con sólo presionar su interruptor en cualquier momento durante el fregado. **NOTA:** cuando se usa la máquina marcha atrás, la rasqueta se eleva automáticamente.
- 5b **Modelos ST:** baje la plataforma de limpieza utilizando la palanca de elevación/bajada de la plataforma de limpieza (14); esto activará los sistemas de la solución y de fregado. Baje la rasqueta con la palanca de elevación/bajada de la rasqueta (22); esto activará el sistema de aspiración. Todos los sistemas se ponen en marcha cuando se activa el pedal de fregado (3). **NOTA:** existen dos configuraciones de la presión de fregado. La presión Normal se logra bajando la plataforma de limpieza; la presión en los cepillos la provoca el peso de dicha plataforma. La presión Extrema se logra bajando la plataforma, y luego presionando hacia abajo la palanca (14) y moviendo la misma hacia la muesca; esto comprime un resorte para crear una presión adicional en los cepillos. **NOTA:** el flujo de solución puede cambiarse presionando el interruptor de aumento de la solución (B) o el interruptor de reducción de la solución (D).
- 6 Empiece a fregar conduciendo la máquina marcha alante en línea recta a una velocidad de paseo normal, y solape cada trayectoria 50-75 mm. Ajuste la velocidad de la máquina y el flujo de la solución cuando sea necesario según el estado del suelo.



**¡PRECAUCIÓN!**

Para evitar dañar el suelo, mantenga la máquina en movimiento cuando los cepillos estén girando.

- 7 Cuando friegue, compruebe de vez en cuando que detrás de la máquina se está recogiendo el agua residual. Si queda agua en la trayectoria de la máquina, puede que esté aplicando demasiada solución, que el depósito de recogida esté lleno o que la rasqueta necesite un ajuste.
- 8 **Solo modelos Advenger:** de manera predeterminada, la máquina pasa al modo de limpieza EverGreen (el indicador del interruptor EverGreen se ilumina en VERDE) para conservar solución y detergente. Presione el interruptor EverGreen (J) para anular el modo de limpieza EverGreen y aumentar temporalmente la presión de fregado, el flujo de la solución y la mezcla de detergente. Esto hará que el indicador parpadee en amarillo durante un minuto, el flujo de la solución aumentará al siguiente nivel, la presión de fregado aumentará al siguiente nivel y la mezcla de detergente aumentará a la mezcla preprogramada. Es posible ajustar la mezcla preprogramada que se utiliza durante la anulación del modo EverGreen. Con el sistema de detergente apagado, presione y mantenga presionado el interruptor de encendido/apagado de detergente (E) durante 2 segundos. El indicador de detergente parpadeará y cada pulsación del interruptor realizará un ciclo a través de las mezclas disponibles (1:32, 1:50, 1:64, 1:100, 1:128, 1:150, 1:200, 1:256, 1:300, 1:400). Cuando la mezcla deseada se muestre en la pantalla (F5), pare y se bloqueará tras 5 segundos.
- 9 En el caso de suelos muy sucios, es posible que una operación de fregado de una sola pasada no sea suficiente y puede ser necesaria una operación de "doble fregado". Esta operación es la misma que el fregado de una sola pasada, salvo que en la primera pasada la rasqueta está en la posición levantada (presione el interruptor de aspiración/varilla (L) para elevar la rasqueta en el caso de modelos Advenger, o suba la palanca de elevación/bajada de la rasqueta (22) en el caso de los ST). Esto permite que la solución de limpieza permanezca en el suelo y actúe más tiempo. La última pasada se hace en la misma zona, con la rasqueta bajada para recoger la solución acumulada.
- 10a **Modelos Advenger:** el depósito de recuperación tiene un flotador de cierre (29) que apaga TODOS los sistemas excepto el sistema de tracción cuando el depósito de recuperación está lleno. Hay que vaciar el depósito de recuperación cuando se activa este flotador. La máquina no recogerá agua ni fregará con el flotador activado. **NOTA:** cuando el flotador está activado, todos los demás indicadores se apagan y aparece un indicador de "depósito de recuperación LLENO" (F7) en el panel de visualización.
- 10b **Modelos ST:** el depósito de recuperación tiene un flotador de cierre (29) que apaga TODOS los sistemas excepto el sistema de tracción cuando el depósito de recuperación está lleno. Hay que vaciar el depósito de recuperación cuando se activa este flotador. La máquina no recogerá agua ni fregará con el flotador activado.
- 11 Cuando el operario desea detener la limpieza o el depósito de recuperación está lleno: **Modelos Advenger:** presione el interruptor de encendido/apagado de fregado (H) una vez. Esto detendrá automáticamente los cepillos de fregado y el flujo de solución, y la plataforma de limpieza se elevará. La rasqueta se levantará tras un breve intervalo de tiempo y la aspiración se detendrá tras otro un breve intervalo de tiempo (esto es así para que se pueda recoger el agua que haya podido quedar sin tener que volver a encender la aspiración). **Modelos ST:** utilice la palanca de elevación/bajada de la plataforma de limpieza (14) para elevar manualmente dicha plataforma de limpieza; esto detendrá los motores de fregado y el flujo de la solución. Utilice la palanca de elevación/bajada de la rasqueta (22) para elevar manualmente dicha rasqueta. La aspiración se detendrá tras un breve intervalo de tiempo (para permitir que se recoja el agua que haya podido quedar sin tener que volver a encender la aspiración).
- 12 Conduzca la máquina a un lugar establecido para la eliminación de aguas residuales y vacíe el depósito de recuperación. Para vaciar, tire del tubo de drenaje (31) para sacarla de su zona de almacenamiento en la parte trasera, y, a continuación, retire el tapón (sostenga el extremo del tubo por encima del nivel de agua para evitar la salida súbita e incontrolada de agua residual). Rellene el depósito de solución y siga fregando. **NOTA:** asegúrese de que la tapa del depósito de recuperación (26) y el tubo de drenaje de dicho depósito de recuperación (31) estén asentados correctamente, o la máquina no recogerá el agua correctamente. Cuando haya que recargar las baterías, se encenderá el indicador de batería baja (F8) (modelos Advenger) o el indicador de la batería (M) parpadeará en rojo (modelos ST). A continuación los cepillos de fregado y el flujo de solución se detienen, y la plataforma de limpieza se eleva (modelos Advenger); eleve la plataforma de limpieza de forma manual en el caso de los modelos ST. La rasqueta se elevará tras un breve intervalo de tiempo y la aspiración se detendrá tras un breve intervalo de tiempo (modelos Advenger); eleve manualmente la rasqueta en el caso de los modelos ST. Lleve la máquina a una zona de mantenimiento y recargue las baterías de acuerdo con las instrucciones de la sección de baterías de este manual.

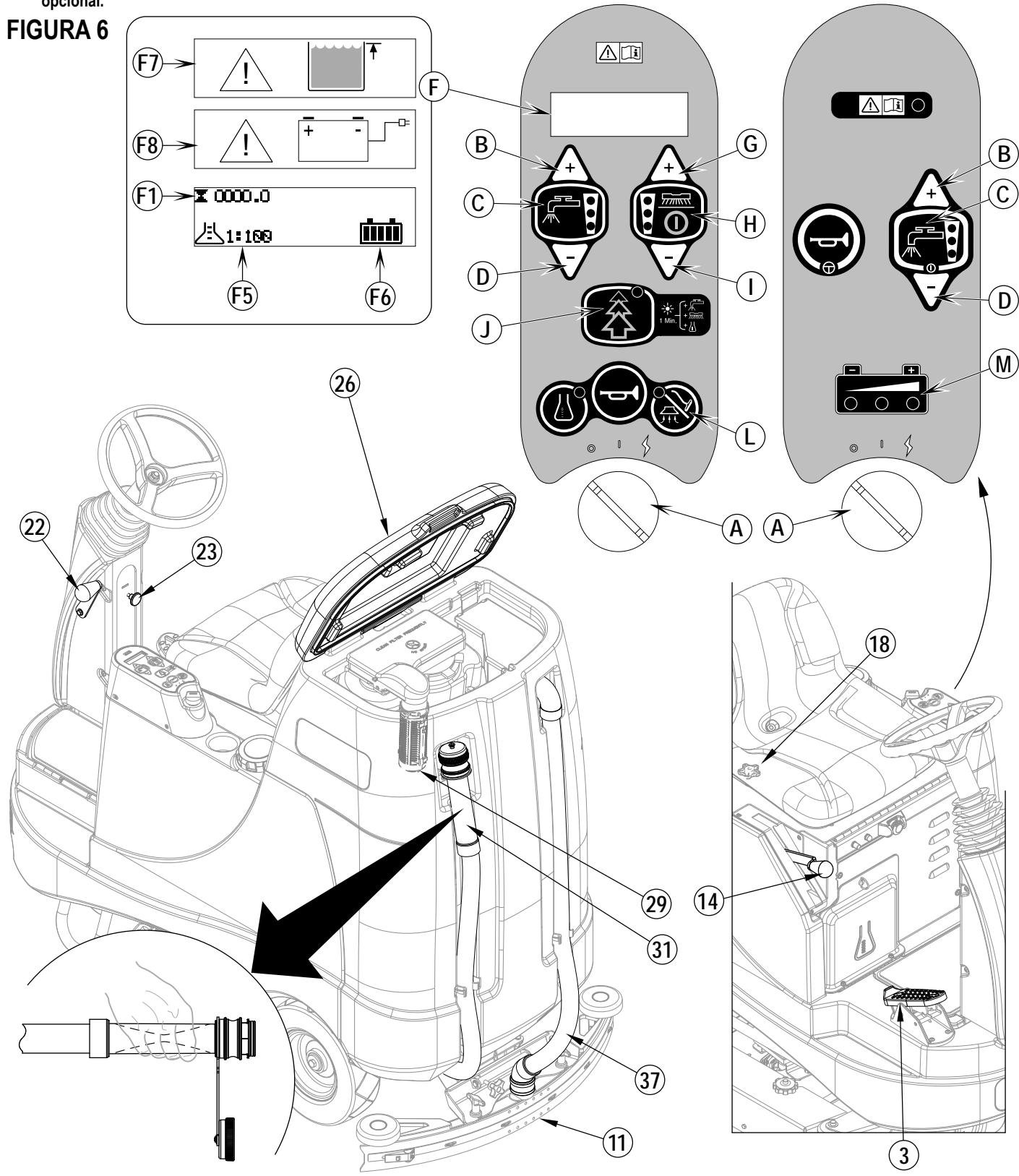
## ASPIRACIÓN EN HÚMEDO

Pasos a seguir para conectar a la máquina accesorios opcionales para la aspiración en húmedo.

- 1 Desconecte el tubo de recuperación (37) de la rasqueta (11). Conecte el acoplador y el tubo del kit de la varilla al tubo de recuperación.
- 2 Acople al tubo las herramientas de recogida adecuadas. (Hay disponible un kit de varilla opcional PN56601087 a través de Advance).
- 3 Encienda el interruptor de contacto principal (A) y presione el interruptor de la varilla (L) (modelos Advenger) o baje la palanca de la rasqueta (22) (modelos ST). **NOTA:** en los modelos Advenger, el operador no puede estar en el asiento para que el motor de aspiración funcione. El motor de aspiración funcionará de forma continua hasta que se vuelva a pulsar el interruptor de nuevo (modelos Advenger) o se eleve la rasqueta (modelos ST) para apagarlo. **NOTA:** el indicador "Depósito de recuperación LLENO" está desactivado si está activado el modo de varilla. El flotador detendrá el líquido que fluye al depósito de recuperación.

**NOTA DE SERVICIO:** Consulte el manual de servicio para obtener las descripciones funcionales detalladas de todos los controles y la programabilidad opcional.

**FIGURA 6**



## DESPUÉS DE LA UTILIZACIÓN

- 1 Cuando acabe de fregar, presione el interruptor de encendido/apagado del fregado (**H**); esto producirá la elevación, retracción y detención automática de todos los sistemas de la máquina (cepillo, rasqueta, aspiración, solución y detergente (modelos AXP)) (modelos Advenger) o eleve manualmente la plataforma de limpieza y la rasqueta. A continuación conduzca la máquina a la zona de mantenimiento para el mantenimiento diario y la revisión de otros servicios necesarios.
- 2 Para vaciar el depósito de la solución:  
**Modelos Advenger:** retire el tubo de drenaje de la solución (**2**) de su sujeción de almacenamiento. Dirija el tubo al lugar establecido para la eliminación de residuos y retire el tapón. Aclare el depósito con agua limpia.  
**Modelos ST:** dirija el tubo a un lugar establecido para la eliminación de residuos. Cierre la válvula de cierre de la solución (**21**). Retire el filtro de la solución (**40**) y luego abra lentamente la válvula de cierre. Aclare el depósito con agua limpia.
- 3 Para vaciar el depósito de recuperación, retire el tubo de drenaje del depósito de recuperación (**31**) de su zona de almacenamiento. Dirija el tubo al lugar establecido para la eliminación de residuos y desatornille el tapón (sostenga el extremo del tubo por encima del nivel de agua en el depósito para evitar un flujo súbito e incontrolado de agua residual). Aclare el depósito con agua limpia.
- 4 Retire los cepillos o los portabayetas. Aclare los cepillos o las bayetas con agua templada y tiéndalos para que sequen.
- 5 Retire la rasqueta y aclárela con agua templada. Abra la cubierta del depósito de recuperación y cuelgue la rasqueta de dicho depósito utilizando el gancho para almacenamiento de la rasqueta (**30**).
- 6 En los sistemas cilíndricos, retire la tolva y límpiela a fondo. Retírela desde cualquier lado de la máquina retirando el faldón e inclinando la tolva hacia arriba y hacia fuera de su alojamiento, y luego tire de ella para sacarla.
- 7 Compruebe el programa de mantenimiento que viene a continuación y realice cualquier operación de mantenimiento necesaria antes de guardar la máquina.

## PROGRAMA DE MANTENIMIENTO

OPERACIÓN DE MANTENIMIENTO	Diaria	Semanal	Mensual	Anual
Recargar baterías	X			
Limpiar e inspeccionar depósitos y tuberías	X			
Comprobar, limpiar y girar los cepillos y las bayetas	X			
Comprobar y limpiar la boquilla	X			
Comprobar y limpiar el flotador de cierre de la aspiración	X			
Comprobar y limpiar filtro(s) de espuma del motor de aspiración	X			
Vacía/limpie el filtro de la cesta en el depósito de recuperación.	X			
Limpiar la tolva del sistema cilíndrico	X			
Comprobar el nivel de agua de todas las células de las baterías		X		
Inspeccionar las faldillas contenedoras de fregado		X		
Inspeccionar y limpiar el filtro de la solución		X		
Limpiar el canal de la solución del sistema cilíndrico		X		
Purgar el sistema de detergente (sólo modelos AXP/EDS)		X		
Lubricación de la máquina			X	
* Comprobar los cepillos de carbono				X

\* Haga que Advance compruebe las escobillas de carbono del motor de aspiración una vez al año o transcurridas 300 horas de funcionamiento. Compruebe las escobillas de carbono de los motores de tracción y fregado cada 500 horas o una vez al año.

**NOTA:** para obtener más información sobre mantenimiento y reparaciones, consulte el Manual de servicio.

- 8 Almacene la máquina en un lugar interior, limpio y seco. Protéjala frente a la congelación. Deje los depósitos abiertos para airearlos.
- 9 Apague (O) el interruptor de contacto principal (**A**) y quite la llave.

## LUBRICACIÓN DE LA MÁQUINA

Una vez al mes, aplique aceite para máquinas suave y lubrique lo siguiente:

- Cadena de dirección
- Puntos de pivotaje generales para la rasqueta y la bieleta de la plataforma de limpieza.
- Mandos de ajuste de altura del faldón lateral
- Junta universal del árbol del volante
- Parachoques del rodillo frontal

## RECARGA DE BATERÍAS DE LÍQUIDO

Recargue las baterías cada vez que se utilice la máquina o cuando el indicador de batería (F6) presente un nivel inferior al de carga completa.



### ¡ADVERTENCIA!

No rellene las baterías antes de recargarlas.

Recargue las baterías exclusivamente en una zona bien ventilada.

No fume mientras maneja las baterías.

#### Cuando revise las baterías...

- \* Qítense todas las joyas
- \* No fume
- \* Lleve gafas de seguridad, un delantal de goma y guantes de goma
- \* Trabaje en una zona bien ventilada
- \* No permita que las herramientas toquen simultáneamente más de un terminal de batería
- \* Al sustituir las baterías, desconecte SIEMPRE en primer lugar el cable (de tierra) negativo para evitar chispas.
- \* Al instalar las baterías, conecte SIEMPRE el cable negativo al final.

#### Si su máquina está equipada **con** cargador de baterías a bordo, realice lo siguiente:

Apague el interruptor de contacto (A). Abra la puerta de acceso al compartimiento de las baterías (10) y al cargador de las baterías (16) para que haya una ventilación adecuada. Desenrolle el cable eléctrico del lado del cargador de a bordo y enchúfelo en una toma de corriente con la puesta a tierra adecuada. Consulte el manual del producto OEM para obtener instrucciones de funcionamiento más detalladas.

#### Si su máquina se entrega **sin** cargador de baterías a bordo, realice lo siguiente:

Abra el compartimiento de las baterías (10) y ajuste la varilla de apoyo (33). Desconecte las baterías de la máquina e introduzca el conector del cargador en el conector del conjunto de baterías (34). Siga las instrucciones que aparecen encima del cargador de las baterías. **NOTA DE SERVICIO: asegúrese** de que enchufa el cargador de baterías en el conector que se acopla a las baterías.



### ¡PRECAUCIÓN!

Para evitar daños a la superficie del suelo, limpie siempre el agua y el ácido de la parte superior de las baterías después de la recarga.

## COMPROBACIÓN DEL NIVEL DE AGUA DE LAS BATERÍAS

Compruebe el nivel de agua de las baterías al menos una vez a la semana.

Después de cargar las baterías, retire las cubiertas de ventilación y compruebe el nivel de agua de todas células de las baterías. Utilice agua destilada o desmineralizada en un dispensador de relleno de baterías (disponible en la mayoría de las tiendas de materiales para coches) para llenar todas las células hasta el indicador de nivel (o hasta 10 mm por encima de la parte superior de los separadores). ¡NO rellene demasiado las baterías!



### ¡PRECAUCIÓN!

Si las baterías están demasiado llenas se puede salpicar ácido al suelo.

Apriete las cubiertas de ventilación. Limpie la parte superior con una solución de levadura química y agua (2 cucharadas de levadura química en 1 litro de agua).

## RECARGA DE BATERÍAS DE GEL (VRLA)

Recargue las baterías cada vez que se utilice la máquina o cuando el indicador de batería (F6) presente un nivel inferior al de carga completa.



### ¡ADVERTENCIA!

Recargue las baterías exclusivamente en una zona bien ventilada.

No fume mientras maneja las baterías.

#### Cuando revise las baterías...

- \* Qítense todas las joyas
- \* No fume
- \* Lleve gafas de seguridad, un delantal de goma y guantes de goma
- \* Trabaje en una zona bien ventilada
- \* No permita que las herramientas toquen simultáneamente más de un terminal de batería
- \* Al sustituir las baterías, desconecte SIEMPRE en primer lugar el cable (de tierra) negativo para evitar chispas.
- \* Al instalar las baterías, conecte SIEMPRE el cable negativo al final.



### ¡PRECAUCIÓN!

La batería de plomo ácido con regulación de tensión (VRLA) ofrece una vida útil y unas prestaciones superiores ¡SÓLO SI SE RECARGA CORRECTAMENTE!

Una recarga insuficiente o excesiva reducirá la vida útil de la batería y limitará sus prestaciones. Asegúrese de SEGUIR AL PIE DE LA LETRA LAS INSTRUCCIONES DE RECARGA. ¡NO INTENTE ABRIR ESTA BATERÍA! Si la batería VRLA se abre, pierde su presión y las placas se contaminan de oxígeno. LA GARANTÍA QUEDA ANULADA SI LA BATERÍA SE ABRE.

#### Si su máquina está equipada **con** cargador de baterías a bordo, realice lo siguiente:

Apague el interruptor de contacto (A). Abra la puerta de acceso al compartimiento de las baterías (10) y al cargador de las baterías (16) para que haya una ventilación adecuada. Desenrolle el cable eléctrico del lado del cargador de a bordo y enchúfelo en una toma de corriente con la puesta a tierra adecuada. Consulte el manual del producto OEM para obtener instrucciones de funcionamiento más detalladas.

#### Si su máquina se entrega **sin** cargador de baterías a bordo, realice lo siguiente:

Abra el compartimiento de las baterías (10) y ajuste la varilla de apoyo (33). Desconecte las baterías de la máquina e introduzca el conector del cargador en el conector del conjunto de baterías (34). Siga las instrucciones que aparecen encima del cargador de las baterías. **NOTA DE SERVICIO: asegúrese** de que enchufa el cargador de baterías en el conector que se acopla a las baterías.

**IMPORTANTE: Asegúrese de que dispone de un cargador adecuado para su uso con baterías de células de gel. Utilice únicamente cargadores de "regulación de tensión" o de "limitación de tensión". NO DEBEN utilizarse cargadores de corriente variable o de corriente constante estándar. Se recomienda el uso de un cargador sensible a la temperatura, dado que los ajustes manuales nunca son precisos y dañarán cualquier batería VRLA.**

## MANTENIMIENTO DE LA RASQUETA

Si la rasqueta deja bandas estrechas de agua, puede que las hojas estén sucias o dañadas. Retire la rasqueta, aclárela con agua tibia e inspeccione las hojas. Invierta las hojas o sustitúyalas si están cortadas, rasgadas, onduladas o desgastadas.

### Para invertir o sustituir la hoja secadora de la rasqueta trasera...

- 1 Consulte la figura 7. Eleve la rasqueta del suelo y a continuación abra el pestillo de retirada de la hoja de la rasqueta trasera (35) en la rasqueta
- 2 Retire la correa de tensión (AA).
- 3 Deslice la hoja posterior para sacarla de las clavijas de alineación.
- 4 La hoja de la rasqueta tiene 4 bordes de trabajo. Gire la hoja de manera que un borde limpio e intacto apunte hacia la parte frontal de la máquina. Sustituya la hoja si los 4 bordes están mellados, rotos o desgastados al mínimo.
- 5 Instale la hoja siguiendo los pasos en orden inverso y ajuste la inclinación de la rasqueta.

### Para invertir o sustituir la hoja de la rasqueta delantera...

- 1 Eleve la rasqueta del suelo y a continuación suelte las (2) tuercas de mariposa (AB) de la parte superior de la rasqueta, y retire la rasqueta del montaje.
- 2 Retire la tuerca de mariposa de retirada de la hoja de rasqueta delantera (39), y luego retire la correa de tensión y la hoja (AC).
- 3 La hoja de la rasqueta tiene 4 bordes de trabajo. Gire la hoja de manera que un borde limpio e intacto apunte hacia la parte frontal de la máquina. Sustituya la hoja si los 4 bordes están mellados, rotos o desgastados al mínimo.
- 4 Instale la hoja siguiendo los pasos en orden inverso y ajuste la inclinación de la rasqueta.

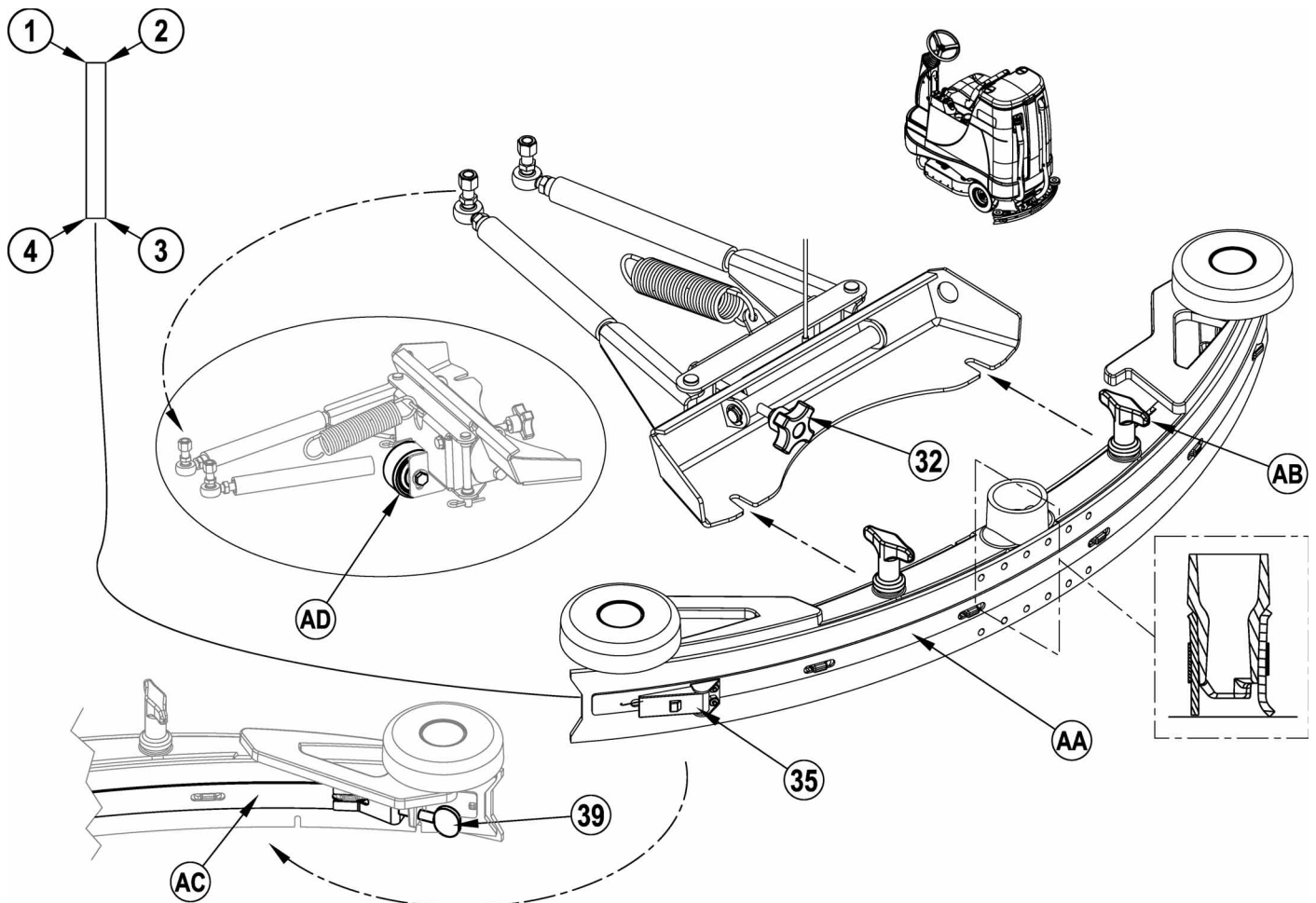
## AJUSTE DE LA RASQUETA

Hay dos ajustes posibles de la rasqueta, altura y ángulo.

Ajuste el ángulo de la rasqueta siempre que sustituya o invierta la hoja o cuando la rasqueta no deje seco el suelo.

- 1 Aparque la máquina en una superficie plana e igualada y baje la rasqueta. A continuación lleve la máquina hacia delante hasta que las hojas de la rasqueta se plieguen hacia la parte trasera.
- 2 Ajuste la inclinación y la altura de la rasqueta utilizando el mando de ajuste de inclinación de la rasqueta (32) y la rueda de altura de la rasqueta (AD), de manera que la hoja de la rasqueta trasera toque el suelo homogéneamente en toda la anchura y se doble ligeramente como se muestra en la sección transversal de la rasqueta.

FIGURA 7



## MANTENIMIENTO DEL FALDÓN LATERAL

La función de los faldones laterales es canalizar el agua residual hacia la rasqueta, lo que ayuda a mantener el agua dentro de la trayectoria de limpieza de la máquina. Durante el uso normal las hojas se gastarán con el tiempo. El operador verá que una pequeña cantidad de agua sale por debajo de los faldones laterales. Puede realizarse fácilmente un ajuste de la altura para bajar las hojas, de manera que la rasqueta pueda recoger toda el agua.

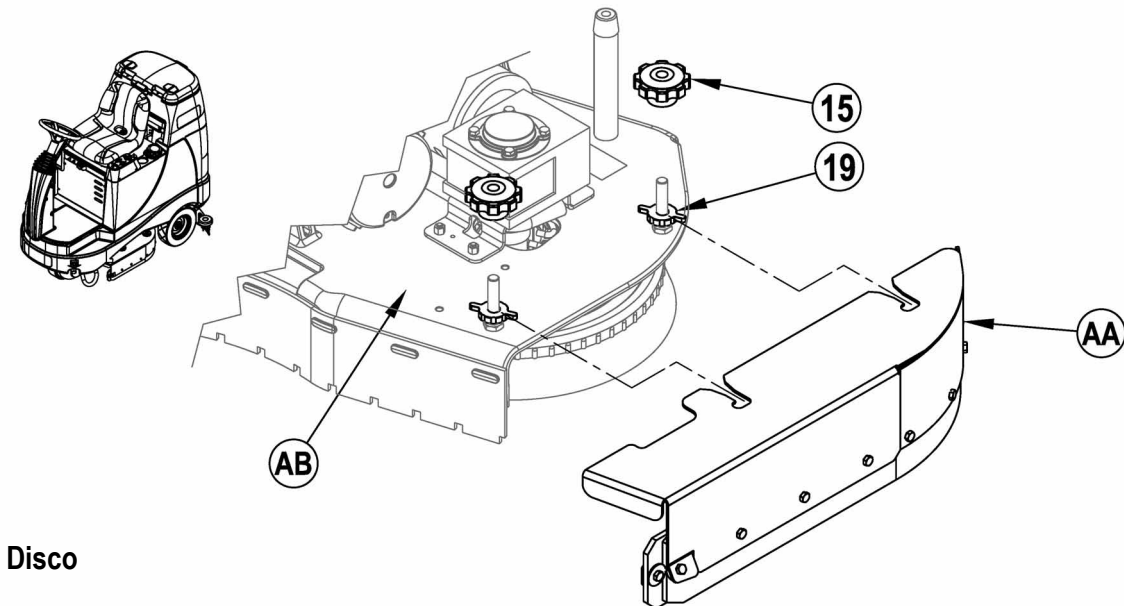
### Para invertir o sustituir los faldones laterales del sistema de fregado...

- 1 Consulte la figura 8. Afloje los (2) mandos de retención del faldón lateral (15) (2 por cada lado) y tire de los conjuntos de los faldones (AA) ligeramente hacia delante (sólo del disco), y luego sáquelos de la plataforma de limpieza.
- 2 Retire todo el material que mantiene las hojas en los alojamientos de los faldones.
- 3 Sustituya las hojas como un conjunto si están melladas, rotas o desgastadas hasta tal punto que no pueden ajustarse.
- 4 Vuelva a instalar los conjuntos de los alojamientos de los faldones en la máquina, y ajuste la hoja para que haga un buen contacto con el suelo cuando la plataforma de fregado esté en posición de fregado.

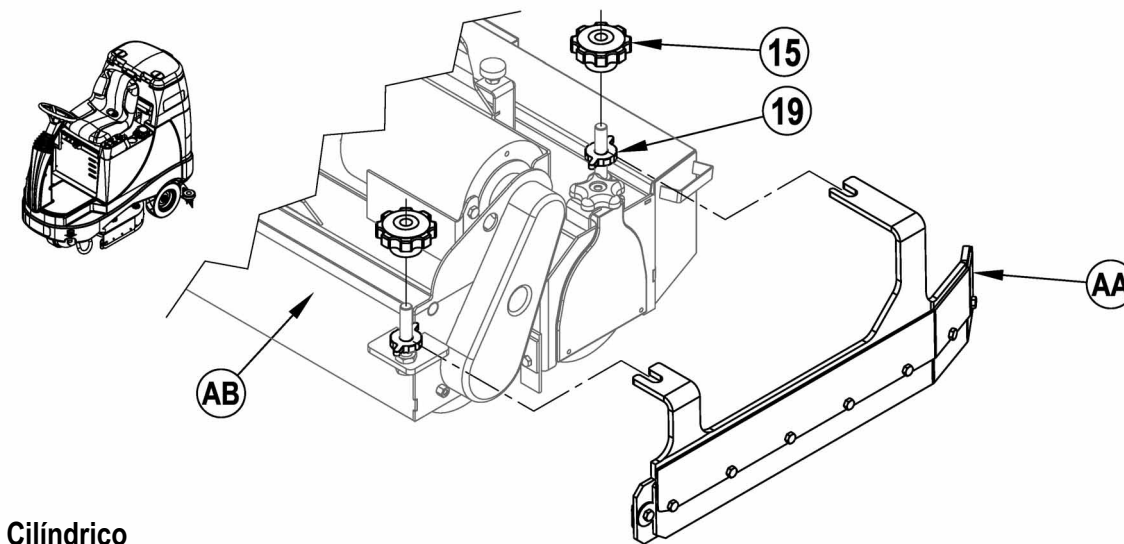
## AJUSTE DE ALTURA DEL FALDÓN LATERAL

- 1 Consulte la figura 8. Los pernos del retén del mando del alojamiento del faldón lateral tienen collarines de ajuste de nivelación (19) que pueden elevarse o bajarse para compensar el desgaste de la hoja.
- 2 Para ajustar, retire los faldones (AA) de la plataforma de fregado (AB) y así acceder a los collarines de ajuste (19). Consejo para el ajuste: los mandos de retención de los faldones (15) pueden aflojarse con los faldones colocados, y los collarines de ajuste (19) pueden girarse si se introduce bajo el alojamiento de los faldones.
- 3 Gire los collarines de ajuste (19) (arriba o abajo) justo hasta donde las hojas se plieguen al fregar, de manera que toda el agua residual se quede dentro de los faldones. Nota: realice pequeños ajustes para obtener un buen secado de la hoja. No baje las hojas demasiado de modo que se plieguen excesivamente y sufran un desgaste innecesario.

### FIGURA 8



Disco



Cilíndrico

**SOLUCIÓN DE PROBLEMAS GENERALES DE LA MÁQUINA**

Problema	Posible causa	Solución
Recogida escasa del agua	Cuchillas de la boquilla gastadas o Desgarradas	Invierta o sustituya las cuchillas
	Boquilla mal ajustada en toda su anchura	Ajuste la boquilla de manera que las cuchillas toquen el suelo de manera uniforme
	Depósito de recuperación lleno	Vacíe el depósito de recuperación
	Fuga en la tubería de drenaje del depósito de recuperación	Sujete la tapa de la tubería de drenaje o sustitúyala
	Fuga en la junta de la tapa del tanque de recuperación	Sustituya la junta / Asiente correctamente la tapa
	Residuos atrapados en la boquilla	Limpie la herramienta de boquilla
	Manguera de aspiración obstruida	Retire los residuos
Fregado poco eficaz	Uso de demasiada solución	Ajuste el flujo de la solución en el panel de control
	Tapa del filtro de espuma mal puesta	Ponga la tapa correctamente
	Cepillo o bayeta desgastados	Gire o sustituya los cepillos
	Tipo de cepillo o bayeta incorrecto	Consulte a Nilfisk-Advance
	Limpiador químico incorrecto	Consulte a Nilfisk-Advance
	Movimiento demasiado rápido de la máquina	Reduzca la velocidad
	No se está utilizando suficiente solución.	Aumente el flujo de la solución en el panel de control
Flujo de solución inadecuado o falta de solución	Depósito de solución vacío	Llene el depósito de solución
	Tuberías, válvulas, filtro o canal de la solución	Lave las tuberías y el canal y limpie el filtro de solución obstruidos
	Válvula de cierre de la solución cerrada	Abra la válvula de cierre de la solución
	Válvula de solenoide de la solución	Limpie o sustituya la válvula
La máquina no funciona	Conector de las baterías desconectadas	Vuelva a conectar los conectores de las baterías
	Interruptor de seguridad del asiento del operador	Compruebe si hay algún circuito abierto y sustitúyalo
	Controlador principal del sistema	Compruebe los códigos de averías <b>(véase el manual de servicio)</b>
	Disyuntor de 10 amp. desconectado	Compruebe si hay algún cortocircuito eléctrico y reinicie
Ausencia de tracción de las ruedas marcha adelante/atrás	Controlador de velocidad del sistema de tracción	Compruebe los códigos de error <b>(consulte el manual de servicio)</b>
	Disyuntor de 70 A saltado	Compruebe si se ha producido una sobrecarga del motor de tracción
	Interruptor de parada de emergencia saltado	Restablezca el interruptor de parada de emergencia
La aspiración se apaga y la pantalla indica "Recovery Tank FULL indicator" (indicador de depósito de recuperación LLENO) cuando el depósito de recuperación no está lleno	Tubo de la rasqueta obstruido	Limpie los residuos
	Aspiración de grandes cantidades de agua a alta velocidad de desplazamiento	Reduzca la velocidad o desactive la función de agua pagado automático <b>(véase el manual de servicio)</b>
Barrido poco eficaz (sistema cilíndrico)	La tolva está llena	Vacíe y limpie la tolva
	Cepillos gastados	Sustituya los cepillos
	Las cerdas han adquirido una forma	Invierta los cepillos
No hay flujo de detergente (Sólo modelos AXP/EDS)	Cartucho de detergente vacío	Llenar cartucho de detergente
	Línea de flujo de detergente obstruida o torcida	Purgar el sistema, enderezar las líneas para eliminar pliegues
	Tapa de junta seca en cartucho de detergente sin sellar	Sellar tapa de junta seca
	Cableado de la bomba de detergente desconectado o hacia atrás	Conectar o reconectar cableado



## ESPECIFICACIONES TÉCNICAS (según la instalación y las pruebas de la unidad)

Modelo		Advenger 2805D	Advenger X2805D	
		Advenger 2805C	Advenger X2805C	
Nº de modelo		56601000	56601005	
		56601002	56601007	
Tensión, baterías	V	24V	24V	
Capacidad de la batería	Ah	238	238	
Grado de protección		IPX3	IPX3	
Nivel de potencia acústica (IEC 60335-2-72: 2002, enmienda. 1:2005, ISO 3744)	dB(A)/20µPa	63,7/621,7	63,7/621,7	
Peso bruto	lb/kg	1,451/658	1,451/658	
Carga máxima en suelo de rueda (frontal central)	psi / kg/cm <sup>2</sup>	174,7 / 12,3	174,7 / 12,3	
Carga máxima en suelo de rueda (trasera derecha)	psi / kg/cm <sup>2</sup>	112,7 / 7,9	112,7 / 7,9	
Carga máxima en suelo de rueda (trasera izquierda)	psi / kg/cm <sup>2</sup>	124,7 / 8,8	124,7 / 8,8	
Vibración en los controles manuales (ISO 5349-1)	m/s <sup>2</sup>	0,26	0,26	
Vibraciones en el asiento (EN 1032)	m/s <sup>2</sup>	0,05	0,05	
Inclinación en transporte		16% (9°)	16% (9°)	
Inclinación en limpieza		9% (5°)	9% (5°)	
Modelo		Advenger 3405D	Advenger 3405D-C	3400D ST
		Advenger X3405D	Advenger X3405D-C	3400D-C ST
Nº de modelo		56601001	56601009	56601004
		56601006	56601012	56601020
Tensión, baterías	V	24V	24V	24V
Capacidad de la batería	Ah	238	238	238
Grado de protección		IPX3	IPX3	IPX3
Nivel de potencia acústica (IEC 60335-2-72: 2002, enmienda. 1:2005, ISO 3744)	dB(A)/20µPa	63,7/621,7	63,7/621,7	63,7/621,7
Peso bruto	lb./kg	1,451/658	1,451/658	1,451/658
Carga máxima en suelo de rueda (frontal central)	psi / kg/cm <sup>2</sup>	174,7 / 12,3	174,7 / 12,3	174,7 / 12,3
Carga máxima en suelo de rueda (trasera derecha)	psi / kg/cm <sup>2</sup>	112,7 / 7,9	112,7 / 7,9	112,7 / 7,9
Carga máxima en suelo de rueda (trasera izquierda)	psi / kg/cm <sup>2</sup>	124,7 / 8,8	124,7 / 8,8	124,7 / 8,8
Vibración en los controles manuales (ISO 5349-1)	m/s <sup>2</sup>	0,26	0,26	0,26
Vibraciones en el asiento (EN 1032)	m/s <sup>2</sup>	0,05	0,05	0,05
Inclinación en transporte		16% (9°)	16% (9°)	16% (9°)
Inclinación en limpieza		9% (5°)	9% (5°)	9% (5°)
Modelo		Advenger 2805D-C	Advenger X2805C-C	2800D ST
		Advenger X2805D-C	Advenger 2805C-C	2800D-C ST
Nº de modelo		56601008	56601013	56601003
		56601011	56601010	56601019
Tensión, baterías	V	24V	24V	24V
Capacidad de la batería	Ah	238	238	238
Grado de protección		IPX3	IPX3	IPX3
Nivel de potencia acústica (IEC 60335-2-72: 2002, enmienda. 1:2005, ISO 3744)	dB(A)/20µPa	63,7/621,7	63,7/621,7	63,7/621,7
Peso bruto	lb./kg	1,451/658	1,451/658	1,451/658
Carga máxima en suelo de rueda (frontal central)	psi / kg/cm <sup>2</sup>	174,7 / 12,3	174,7 / 12,3	174,7 / 12,3
Carga máxima en suelo de rueda (trasera derecha)	psi / kg/cm <sup>2</sup>	112,7 / 7,9	112,7 / 7,9	112,7 / 7,9
Carga máxima en suelo de rueda (trasera izquierda)	psi / kg/cm <sup>2</sup>	124,7 / 8,8	124,7 / 8,8	124,7 / 8,8
Vibración en los controles manuales (ISO 5349-1)	m/s <sup>2</sup>	,26	,26	,26
Vibraciones en el asiento (EN 1032)	m/s <sup>2</sup>	0,05	0,05	0,05
Inclinación en transporte		16% (9°)	16% (9°)	16% (9°)
Inclinación en limpieza		9% (5°)	9% (5°)	9% (5°)

**X** = AXP(inyección química) (IE: **Advenger™ X2805D**)

**-C** = Cargador a bordo (IE: **Advenger™ 3405D-C**)















**Nilfisk  
Advance**

*setting standards*

**Nilfisk-Advance, Inc.**  
14600 21st Avenue North  
Plymouth, MN 55447-3408  
[www.nilfisk-advance.com](http://www.nilfisk-advance.com)  
Phone: 800-989-2235  
Fax: 800-989-6566  
©2008 Nilfisk-Advance, Inc.